




INSTALLATION, OPERATION, & MAINTENANCE MANUAL



1000D & 1000D-XLT
MOTORCYCLE / ATV LIFT

 FOLLOW THIS MANUAL CAREFULLY TO ENSURE THE MACHINE WILL FUNCTION CORRECTLY AND PROVIDE MANY YEARS OF DEPENDABLE SERVICE. FAILURE TO FOLLOW THESE INSTRUCTIONS AND SAFETY WARNINGS MAY RESULT IN PERSONAL INJURY OR PROPERTY DAMAGE. USE OF STRAPS IS RECOMMENDED - SOLD SEPARATELY



PO Box 7069 Greenwood, IN 46142
1.888.90.TITAN FAX (317) 215.2770
www.titan-lifts.com

To Our Valued Customers:

Thank you for purchasing a Titan-Lifts® product. We hope this high quality equipment provides you with years of dependable service.

It is unfortunate that rare situations may occur with the products you purchase from Titan-Lifts®. We value your business as well as the trust you have and need to maintain your relationship with us. Titan-Lifts® carries liability coverage that may protect our customers if a situation does occur. However, as in all accidents there must be proof of liability for a claim to be made. Our insurance company requires the following procedures be observed in order to consider a claim:

- A. The claimant must contact the Titan-Lifts® distributor immediately with the facts of the situation.
- B. If any equipment is damaged, including vehicles or shop equipment, Titan-Lifts® must be given the opportunity to send an impartial representative to the site for proper assessment of the situation.
- C. The Vehicle cannot be moved until either an impartial representative has reviewed the accident or clear and precise pictures are taken that reflect all the pertinent information for an impartial representative to be able to access the information from a distance. Titan-Lifts® or its representatives must approve the pictures before anything can be moved.
- D. If any potential liability is determined on behalf of Titan-Lifts®, two estimates must be submitted for damages to be reimbursed.

It is imperative that the claimant complies with these procedures, because without proper assessment of the situation a claim will be denied.

ARBITRATION NOTICE

The installation or use of this equipment shall constitute an acknowledgement that the user agrees to resolve any and all disputes or claims of any kind whatsoever, which relate in any way to the equipment, by way of binding arbitration, not litigation. No suit or legal action may be filed in any state or federal court. Any arbitration shall be governed by the Federal Arbitration Act, and administered by the American Mediation Association, Indianapolis Indiana. The maximum amount that an arbitrator may award and all damages shall not exceed the retail value of this equipment.


WARRANTY NOTICE

This equipment must be installed by a "Professional Installer" assembled and used in the manner according to the documentation provided to be covered by warranty.

Damaged or missing components must be reported within 72 hours of receipt to your freight carrier and to the distributor. Claims must be filed to cover cost.

If you have any questions or if we can be of any further assistance, please don't hesitate to contact a Titan-Lifts® representative at 1-800-392-3513. Thank you for the opportunity to continue to serve your lift equipment needs.

INSTRUCTIONS

 **WARNING: READ ENTIRE MANUAL AND COMPLY WITH ALL SAFETY AND SERVICE PRECAUTIONS. DEATH, PERSONAL INJURY AND / OR PROPERTY DAMAGE MAY OCCUR IF INSTRUCTIONS ARE NOT FOLLOWED CAREFULLY.**

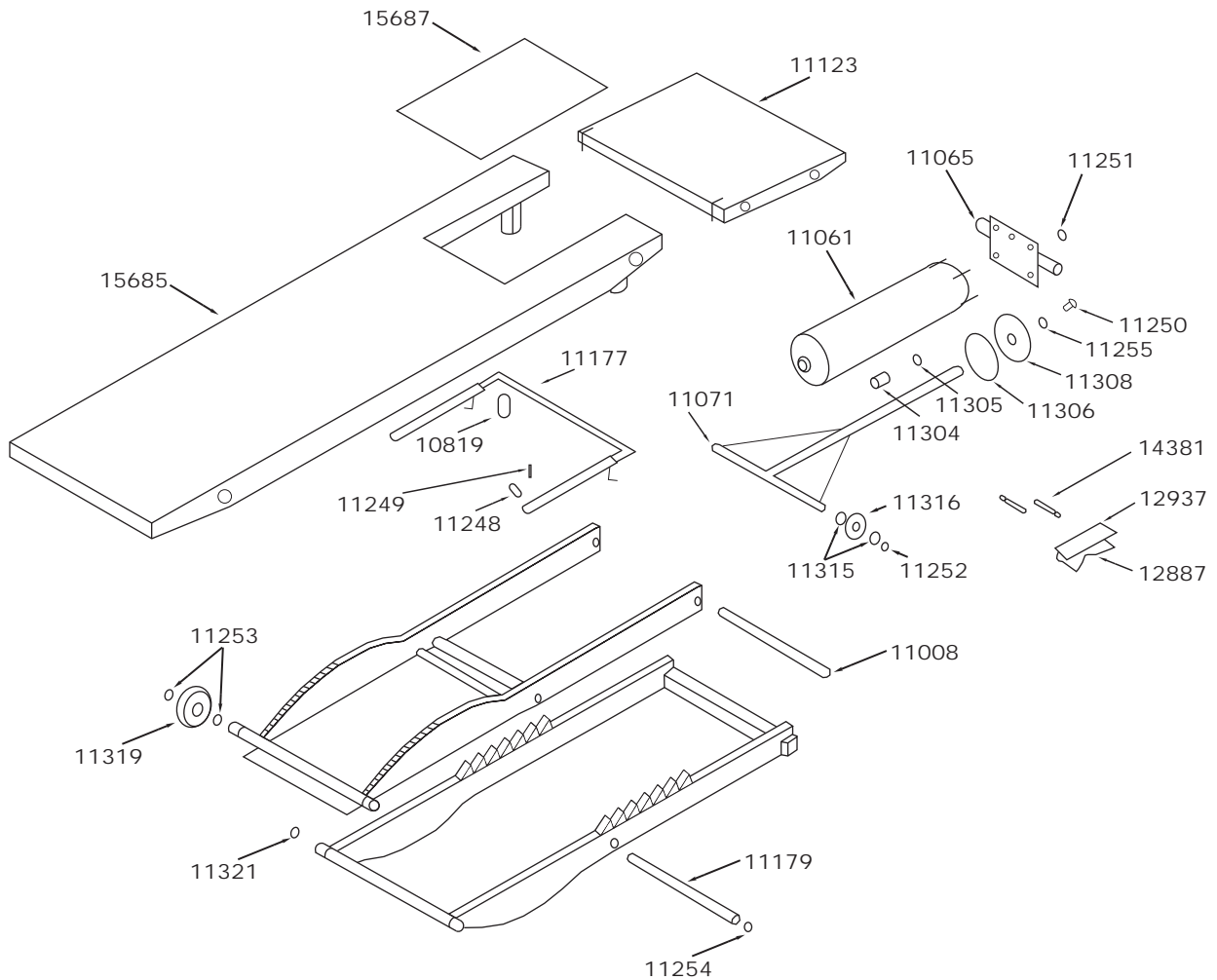
UNPACKING AND SET-UP

1. OPEN THE CARTON, THEN REMOVE THE PACKING AND NEATLY ARRANGE THE PARTS.
2. CAREFULLY TURN THE TABLE UPRIGHT INTO OPERATING POSITION BEFORE REMOVING SHIPPING CABLE RESTRAINT FROM SCISSOR MECHANISM.
3. CONNECT FOOT-OPERATED AIR VALVE TO 100 PSI MAXIMUM AIR SUPPLY. THE LIFT MAY BE DAMAGED AND / OR PERSONAL INJURY MAY RESULT IF THE PRESSURE EXCEEDS THE MAXIMUM 100 PSI RATING.
4. STAND CLEAR OF THE LIFT TABLE AND DEPRESS THE UP SIDE OF THE FOOT VALVE TO RAISE TABLE.
5. ALWAYS SET SAFETY BAR AT DESIRED POSITION.
6. TO LOWER TABLE, LIFT SAFETY BAR FROM SAFETY LATCH AND LOWER TO NEXT POSITION OR TO THE FLOOR.
7. INSERT RAMP MOUNTING PINS INTO HOLES AT EITHER END OF TABLE TO MOUNT RAMP.

OPERATION & MAINTENANCE

1. LOAD MUST BE CENTERED ON THE TABLE AT ALL TIMES.
2. LOAD MUST BE FIRMLY POSITIONED AND SECURELY STRAPPED ON TABLE AT ALL TIMES.
3. ALL MOVING PARTS HAVE BEEN LUBRICATED AT THE FACTORY AND SHOULD BE RE-LUBRICATED BEFORE THE 1ST USE AND EVERY (6) MONTHS TO PREVENT GAULING. GREASE FITTINGS ARE LOCATED AT EACH OF FRAME PIVOT SHAFT AND AT TOP ENDS OF INSIDE FRAME ASSEMBLY.
4. LIGHTLY OIL CYLINDER ROD WHEN IT BECOMES DRY. LUBRICATE EVERY (6) MONTHS.
5. SQUIRT SOME OIL THROUGH BLEED HOLE IN PLATE AT END OF CYLINDER TO LUBRICATE PISTON AND ITS SEAL EVERY (6) MONTHS.
6. PIVOT SHAFT SET SCREWS SHOULD BE CHECKED FREQUENTLY TO BE SURE THEY ARE TIGHT. THESE ARE LOCATED AT THE TOP END OF THE INSIDE FRAME ASSEMBLY.
7. DO NOT USE THIS PRODUCT IF WORN OR DAMAGED. EXAMINE LIFT FOR STRUCTURAL CRACKS, BENDS, OR OTHER SIGNS OF DAMAGE PRIOR TO EACH USE. CHECK ALL HOSES AND CONNECTIONS BEFORE EACH USE TO ENSURE PROPER WORKING CONDITION.
8. KEEP LIFT CLEAN, DRY, AND WELL MAINTAINED TO EXTEND LONGEVITY OF PRODUCT.

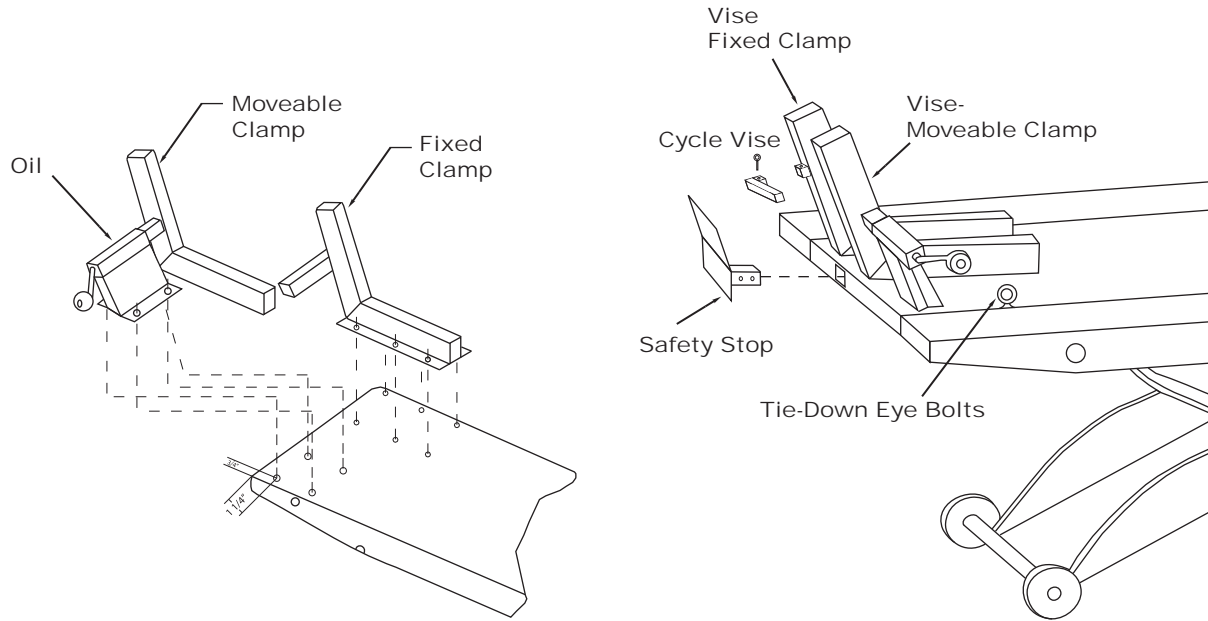
BREAKDOWN VIEW



PART #	DESCRIPTION	PART #	DESCRIPTION
10819	DETENT CLIP	11253	RETAINING RING
11008	CYLINDER PIVOT SHAFT	11254	RETAINING RING 1-1/4
11061	CYLINDER	11255	LOCKWASHER-3/4
11065	CYLINDER END PLATE	11306	PISTON SEAL
11071	CYLINDER SHAFT ASSEMBLY	11308	PISTON
11123	RAMP	11315	CAM ROLLER BEARING
11177	SAFETY BAR	11316	CAM BEARING SPACE
11179	FRAME PIVOT BAR	11319	WHEEL
11222	OUTSIDE FRAME ASSEMBLY	11321	TRACK ROLLER BEARING
11225	INSIDE FRAME ASSEMBLY	12887	VALVE STEM ASSEMBLY
11248	1/2x1-3/4 CLEVIS PIN	12937	FOOT VALVE ASSEMBLY COMPLETE
11249	COTTER PIN 1/8x7/8	13304	CYLINDER SHAFT BUSHING
11250	SCREWS 3/4-10x1-3/4	13305	CYLINDER SHAFT SEAL
11251	LOCKING NUT	14381	VALVE HOSE WITH FITTING
11252	RETAINING RING	15685	TOP ASSEMBLY
11253	RETAINING RING 1-5/16	15687	DROP OUT COVER

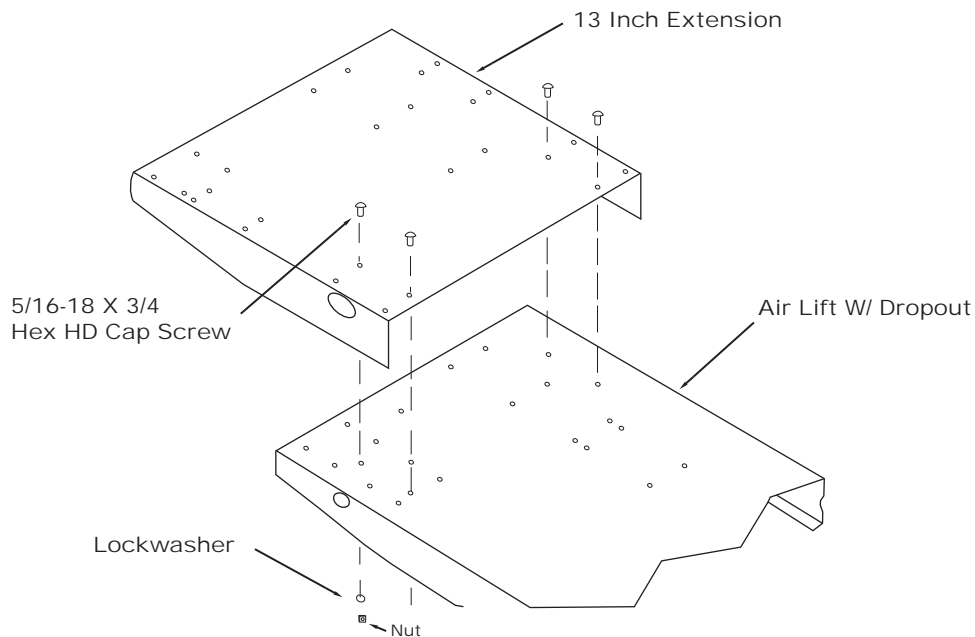
FRONT WHEEL CLAMP INSTALLATION DRAWING

INSTALL THE CLAMP AS INSTRUCTED IN THE FOLLOWING DIAGRAM BELLOW:

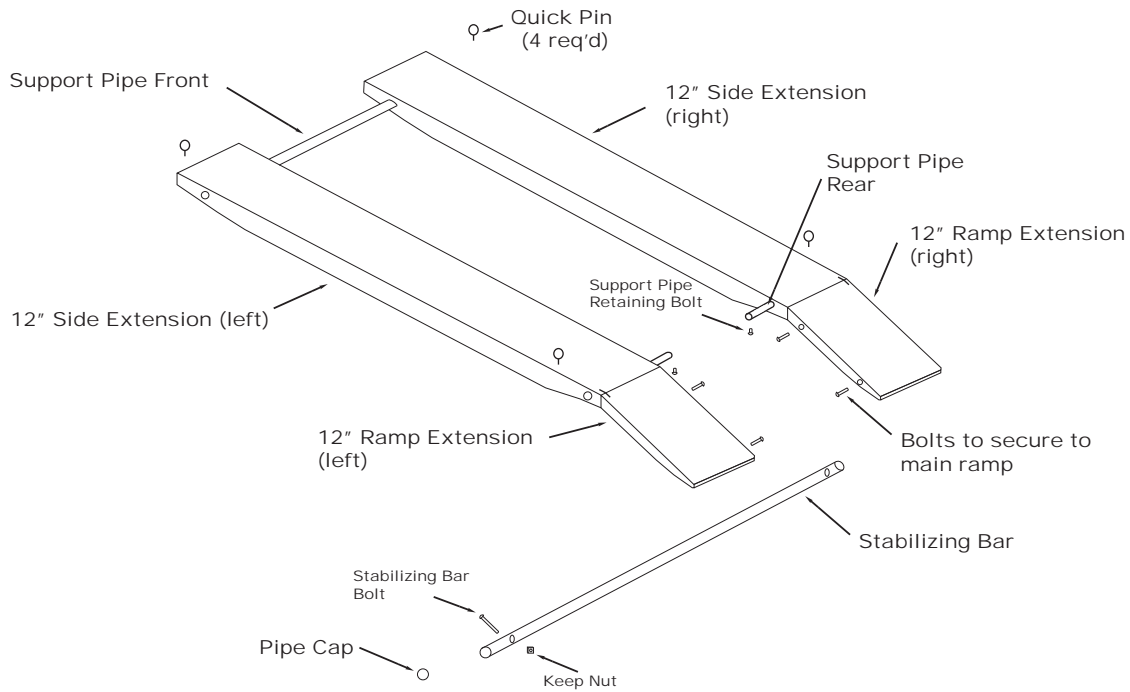


FRONT EXTENSION MOUNTING INSTRUCTIONS

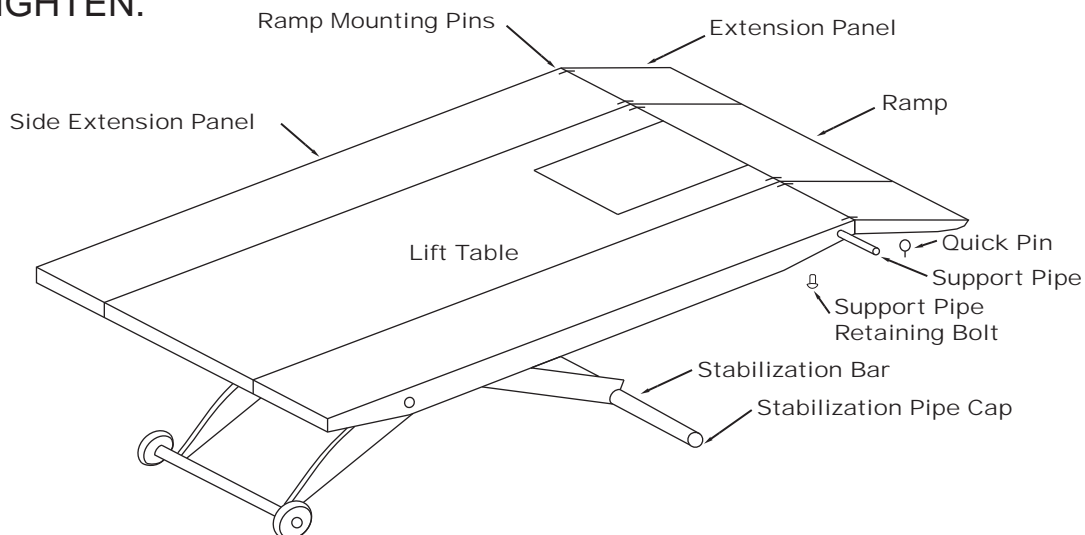
POSITION THE FRONT EXTENSION PLATE OVER THE TABLE AS SHOWN AND ATTACH WITH FOUR 3/8-16 X 1 CAP SCREWS, NUTS AND LOCK WASHERS PROVIDED.



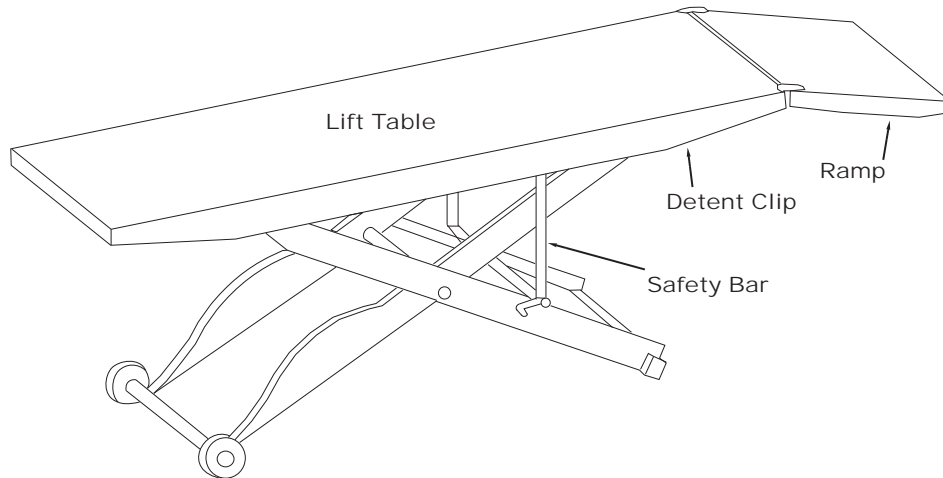
SIDE EXTENSIONS MOUNTING INSTRUCTIONS



1. INSERT PIPES FROM EXTENSION PANEL PACKAGE THROUGH HOLES IN LIFT TABLE.
2. MOUNT PANELS ON END OF PIPE ON EACH SIDE OF TABLE, WITH RAMP HOLE TO OUTSIDE.
3. INSERT 1/4 QUICK PINS PROVIDED THROUGH HOLES IN EACH END OF PIPE.
4. SECURE REAR OF SIDE EXTENSIONS ONTO TABLE BY INSERTING SUPPORT PIPE RETAINING BOLTS ON UNDERSIDE OF TABLE AND TIGHTEN.
5. SECURE RAMP EXTENSIONS TO RAMP WITH BOLTS PROVIDED. MAKE SURE RAMP HOOKS ARE POSITIONED ON THE OUTSIDE.
6. STABILIZATION BAR DIRECTIONS - UNSCREW CAP FROM ONE OF THE ENDS OF THE STABILIZATION PIPE. INSERT BOLT IN DRILLED HOLE AND TIGHTEN WITH NUT. SLIDE PIPE THROUGH THE STATIONARY SQUARE TUBING ON THE LIFT LEGS. INSERT THE OTHER BOLT, TIGHTEN DOWN WITH NUT. PUT ON THE OTHER CAP AND TIGHTEN.



GENERAL SAFETY RULES



1. MAX LIFTING CAPACITY - 1000 LBS.
2. 100 PSI SHOP AIR NEEDED.
3. KEEP SAFETY BAR IN POSITION ALWAYS, EXCEPT WHEN LOWERING.
4. MOVE THE LIFT ONLY WHEN IT IS LOWERED.
5. DO NOT RIDE VEHICLE ONTO LIFT.
6. ONLY TRAINED PEOPLE SHOULD OPERATE THE LIFT.
7. FOOT CONTROLLER SHOULD BE AT LEAST 3 FEET AWAY WHEN OPERATING.
8. INDOOR USE RECOMMENDED.
9. DO NOT MOVE LIFT WHILE LOADED.
10. KEEP HANDS AND TOOLS FROM UNDER CARRIAGE.
11. THE WORK AREA SHOULD BE CLEAN, DRY, CLUTTER FREE AND SUFFICIENTLY LIT.
12. DO NOT WEAR LOOSE FITTING CLOTHING WHILE OPERATING LIFT, LONG HAIR AND SLEEVES SHOULD BE SECURED.
13. KEEP CHILDREN AND BYSTANDERS AWAY FROM WORK AREA. DO NOT LET CHILDREN OPERATE OR PLAY ON LIFT.
14. DO NOT USE IF UNDER THE INFLUENCE OF DRUGS OR ALCOHOL, OPERATOR MUST BE ALERT AT ALL TIMES WHEN OPERATING HEAVY LIFT EQUIPMENT.
15. NEVER OPERATE THE LIFT WITH SOMEONE ON IT.
16. USE THIS LIFT ONLY FOR THE WORK IT IS INTENDED. DO NOT USE THIS PRODUCT FOR AN APPLICATION FOR WHICH IT WAS NOT DESIGNED. MISUSE CAN LEAD TO PERSONAL DAMAGE.



PO Box 7069 Greenwood, IN 46142
1.888.90.TITAN FAX (317) 215.2770
www.titan-lifts.com