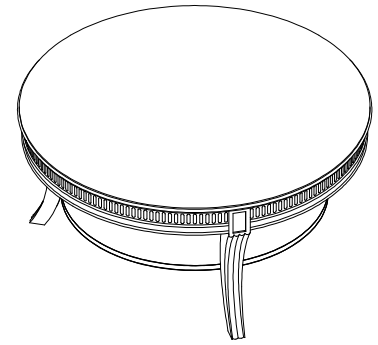


Components and Hardware List

<p>Table Top 1 pc.</p>		<p>Wood Shelf 1 pc.</p>		<p>Legs 3 pcs.</p>	
<p>Ø5/16"-18 x 2-1/2" Allen Head Bolt 6 pcs.</p>	<p>Ø5/16" x Ø14mm Spring Washer 6 pcs.</p>	<p>Ø5/16" x Ø22mm Flat Washer 6 pcs.</p>	<p>Metal bracket 3 pcs.</p>		
<p>Ø1/4"-20 x 5/8" Allen Head Bolt 6 pcs.</p>	<p>Ø1/4" x Ø11mm Spring Washer 6 pcs.</p>	<p>Ø1/4" x Ø18mm Flat Washer 6 pcs.</p>	<p>Ø4mm Allen Wrench 1 pc.</p>		



10203
Round Cocktail Table

Be sure to check all packing material carefully for small parts, which may have come loose inside the carton during shipment.

Step 1: Place the Table Top (A) face down on a clean, soft surface.

Step 2: Attach the Legs (C) at the corners of the Table Top using the 2-1/2" long Allen Head Bolts (D), Spring Washer (E) and Flat Washer (F). Do not fully tighten until Step 5.

Step 3: Assemble the Metal Brackets (G) as shown to the Wood Shelf (B) using the 5/8" long Bolts (H), Spring Washers (I) and Flat Washers (J), through the slotted holes. Do not fully tighten until Step 5.

Step 4: Position the Wood Shelf to the Legs (B) and attach using the same Bolts and Washers, through the Metal Brackets. Do not fully tighten until Step 5.

Step 5: Adjust parts fit if necessary, pulling all parts snug together and tighten all Bolts using the Allen Wrench (K).

Step 6: Carefully set the Table upright.

