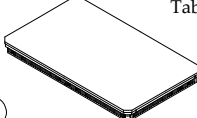
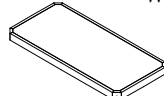

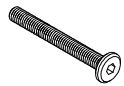


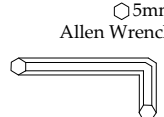
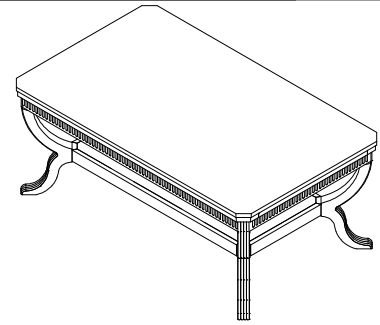


Components and Hardware List

 <p>Table Top 1 pc.</p>	 <p>Wood Shelf 1 pc.</p>	 <p>Legs 4 pcs.</p>	
 <p>Ø5/16"-18 x 2-1/2" Allen Head Bolt 12 pcs.</p>	 <p>Ø5/16" x Ø14mm Spring Washer 12 pcs.</p>	 <p>Ø5/16" x Ø22mm Flat Washer 12 pcs.</p>	 <p>Ø5mm Allen Wrench 1 pc.</p>



10202
Rectangular Cocktail Table

Be sure to check all packing material carefully for small parts, which may have come loose inside the carton during shipment.

Step 1: Place the Table Top (A) face down on a clean, soft surface.

Step 2: Attach the Legs (C) at the corners of the Table Top using the 2-1/2" long Allen Head Bolts (D), Spring Washer (E) and Flat Washer (F). Do not fully tighten until Step 4.

Step 3: Position the Wood Shelf (B) to the Legs (C) and attach using the same Bolts and Washers as previous Step. Do not fully tighten until Step 4.

Step 4: Adjust parts fit if necessary, pulling all parts snug together and tighten all Bolts using the Allen Wrench (G).

Step 5: Carefully set the Table upright.

