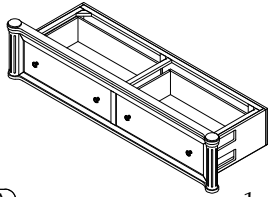
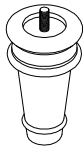
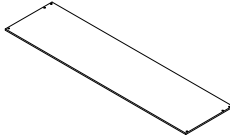
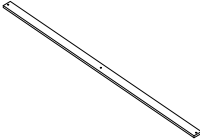

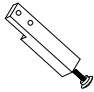
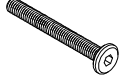




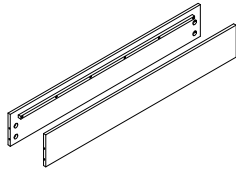







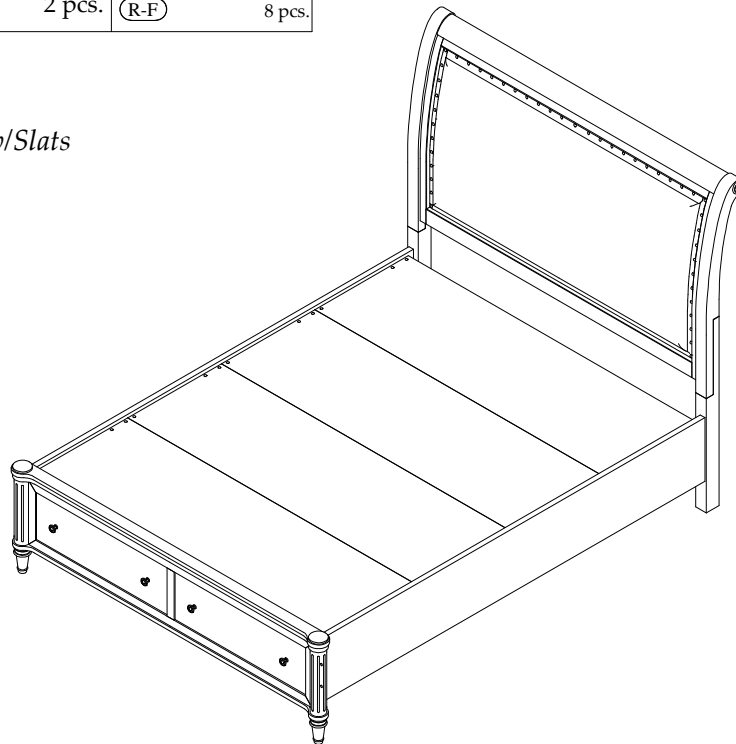
### Hardware and Parts packed with the Footboard

<p>Footboard Panel</p>  <p>(F-A) 1 pc.</p>	<p>Bun feet</p>  <p>(F-B) 2 pcs.</p>	<p>5/0 Wood panel 60-7/8" x 19-7/8"</p>  <p>(F-C) 4 pcs.</p>	<p>5/0 Wood Slat 60-7/8" long</p>  <p>(F-D) 4 pcs.</p>	<p>Slat Support Leg 15" long with leveler</p>  <p>(F-E) 4 pcs.</p>	
<p>Drawer Box Support Leg 9" long with leveler</p>  <p>(F-F) 4 pcs.</p>	<p>Ø5/16"-18 x 1-1/2" Allen Head Bolt</p>  <p>(F-G) 8 pcs.</p>	<p>Ø5/16" x Ø14mm Spring Washer</p>  <p>(F-H) 8 pcs.</p>	<p>Ø5/16" x Ø18mm Flat Washer</p>  <p>(F-I) 8 pcs.</p>	<p>Ø4mm Allen Wrench</p>  <p>(F-J) 1 pc.</p>	<p>Ø8 x 25mm Wood Screw</p>  <p>(F-K) 24 pcs.</p>

### Hardware and Parts packed with the Bed Rails

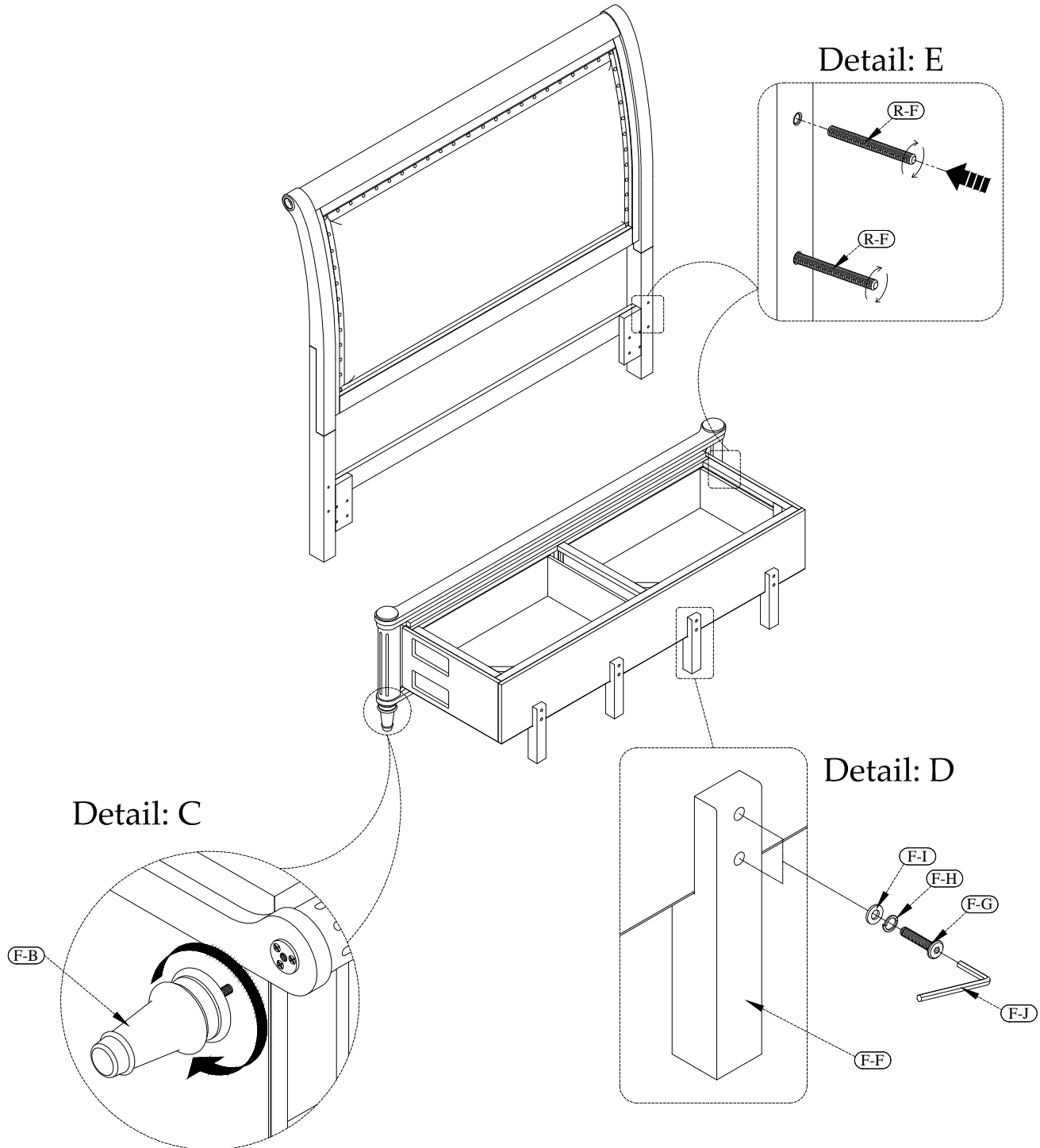
<p>5/0-6/6 Bed Rails</p>  <p>(R-A) 2 pcs.</p>	<p>Ø5/16" Half moon washer</p>  <p>(R-B) 8 pcs.</p>	<p>Ø5/16" x 14mm Spring washer</p>  <p>(R-C) 8 pcs.</p>	<p>Ø5/16" Hexagonal Nut</p>  <p>(R-D) 8 pcs.</p>	<p>12 mm Open Wrench</p>  <p>(R-E) 1 pc.</p>
<p>Ø5/16"-18 x 82mm Long All-thread Bolt</p>  <p>(R-F) 8 pcs.</p>				

5/0 Queen Standard Bed  
10277 -- 4/6-5/0 Sleigh Headboard  
10279 -- 4/6-5/0 Sleigh Footboard w/Slats  
10274 -- 5/0-6/6 Sleigh Bed Rails



### ASSEMBLY STEPS :

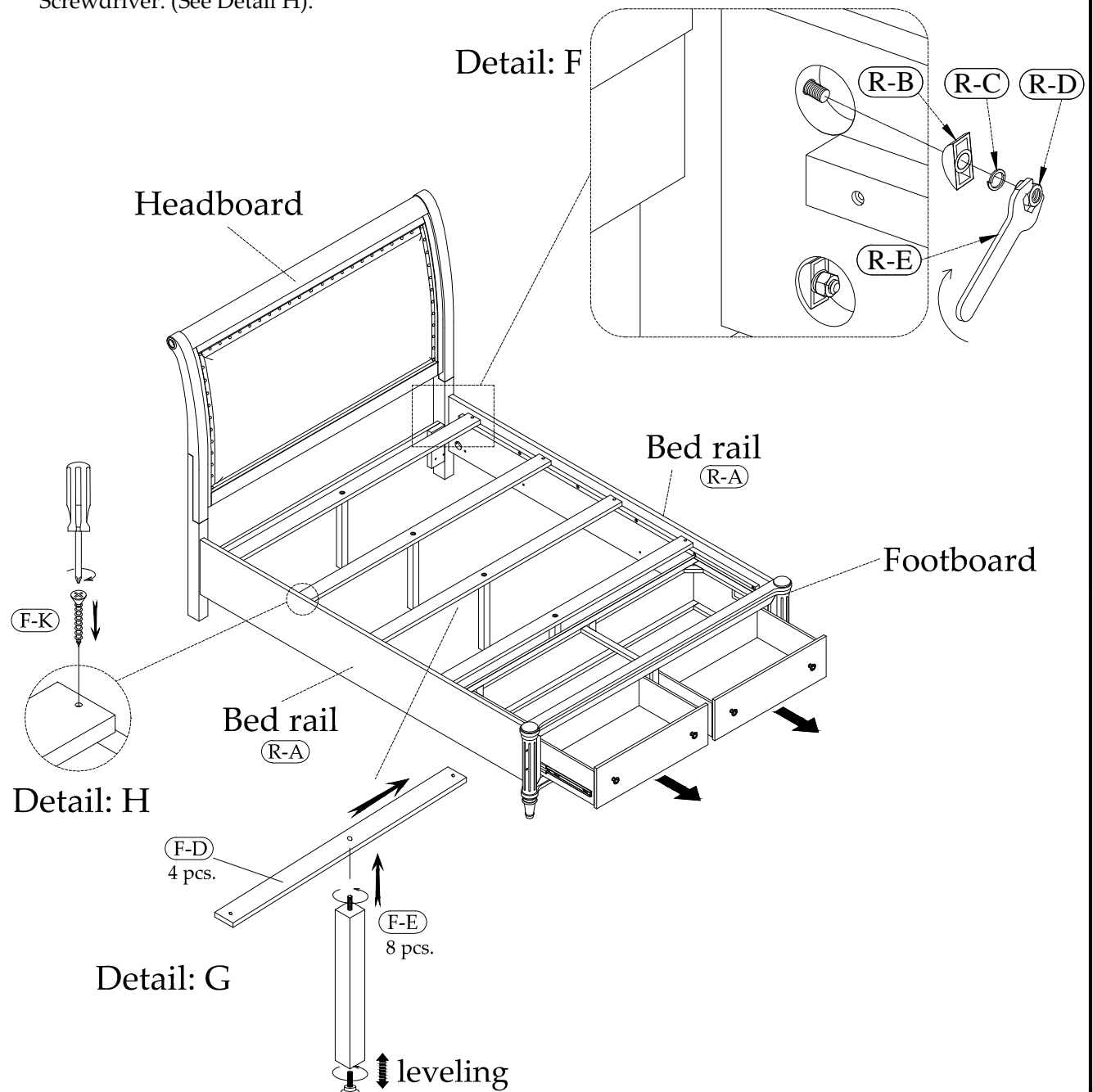
1. Place the Storage Footboard (F-A) face down on a clean and soft surface.
2. Insert hanger bolt on Bun feet (F-B) into metal connector on bottom of Footboard as shown. Tighten all align Bun foot. (see Detail C).
3. Attach the Drawer Box Support Legs (F-F) using the Flat Washers (F-I), Spring Washers (F-H) and Bolts (F-G). Tighten with the Allen Wrench (F-J). (See Detail D).
4. Install the  $\text{Ø}5/16'' \times 82\text{mm}$  Long All-Thread Bolts (R-F) to the threaded inserts of the Headboard and Footboard (see Detail E).



**ASSEMBLY STEPS :**

To prevent possible damage to furniture and personal injury, it is recommended that two people are used to perform the following steps.

5. Carefully position one end of one Bed Rail (R-A) onto the All-thread Bolts installed on the Headboard and connect using the Half moon washers (R-B), Spring washer (R-C) & Hexagonal Nuts (R-D). Only partially tighten the Nuts until the Footboard has been connected. Repeat for other Bed Rail.
6. Open both drawers of the Footboard. Position and connect the Footboard to the other end of the Bed Rails, attaching as in the previous Steps.
7. Carefully align the Footboard to be 'square' with the Headboard. Using the Open Wrench (R-E) tighten all Hex Nuts attaching the Side Rails to the Headboard and Footboard. (See Detail F).
8. Attach the eight Support Legs (F-E) to the bottom side of four Wood Slats (F-D). (See Detail G).
9. Position and attach the Slats to the Bed Rails using the Wood Screws (F-K) and your Phillips Screwdriver. (See Detail H).



ASSEMBLY STEPS :

To prevent possible damage to furniture and personal injury, it is recommended that two people are used to perform the following steps.

10. The levelers located at the bottom of the Support Legs can be adjusted if necessary to help support the Slats. Position and attach the Wood Panels (F-C) to the Slats using the Wood Screws (F-K) and your Phillips Screwdriver. (See Detail I).

