

CHAPTER 4

PARTS

PARTS BY PICTORIAL

This chapter describes assemblies/subassemblies/parts considered replaceable at on-site field installation.

NOTE: *At the end of the Part Number, is” –SP”. This is for White Industries. Please drop the” –SP” when using the EquiServ system.*

NOTE: *The following is a breakdown description of the Serial Number.*

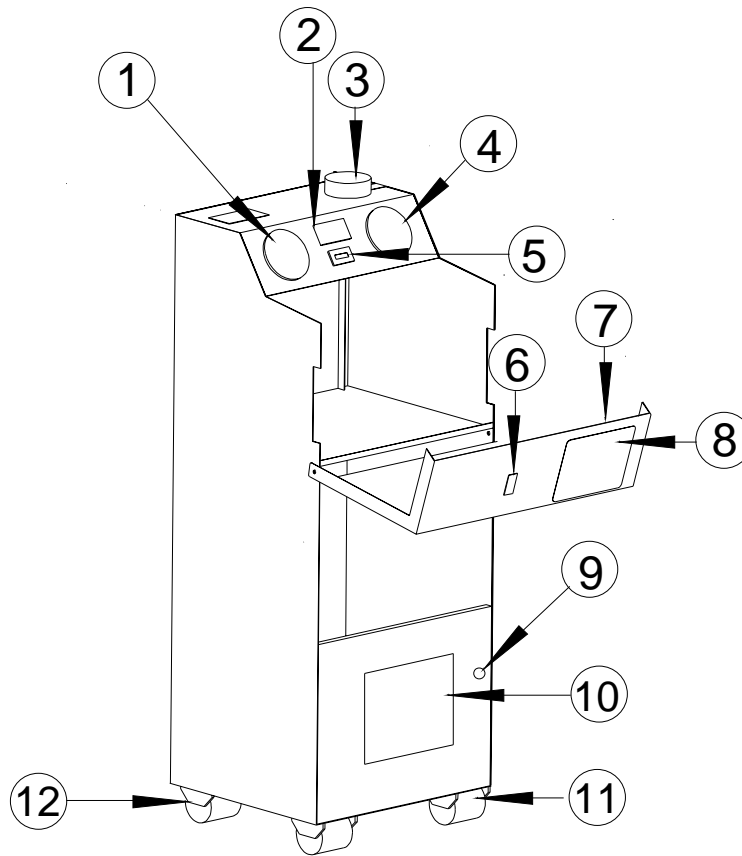
Serial # Location – Left hand side (While facing unit).

Example

In 1992 to present a 9 digit number was used.

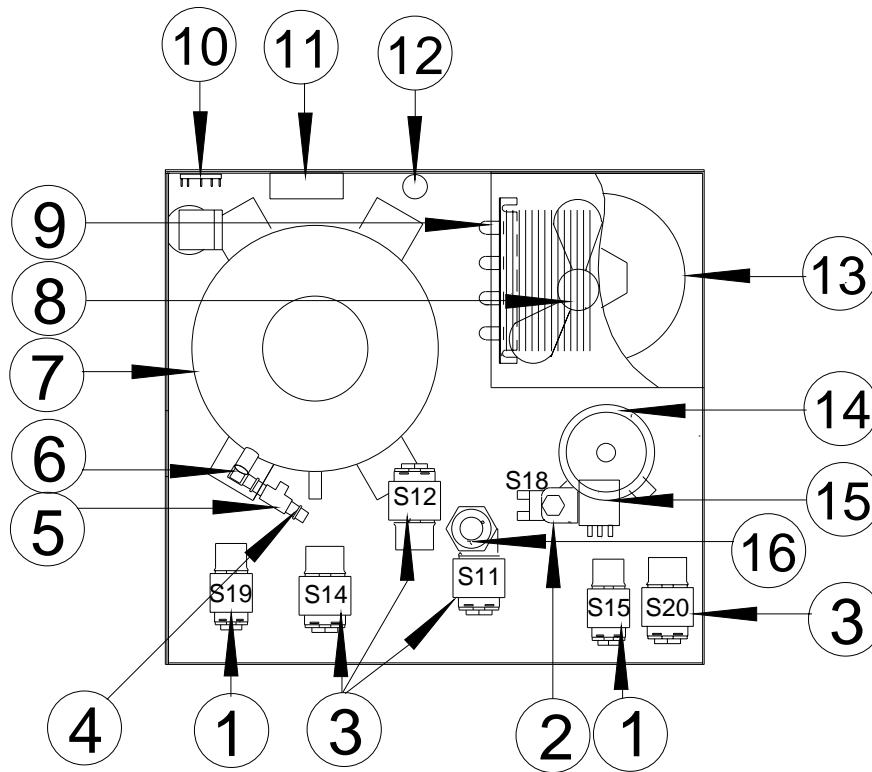
- | | |
|--|--|
| 1. 1 st digit = Year | B=1992, C=1993, ... |
| 2. 2 nd digit = Month | A=January, B=February, ... |
| 3. 3 rd digit = Make | W=White, S=Snap-On, F=Ford, H=Honda |
| 4. 4 th / 5 th digit = Model | 70 = 1070XL/1075XL |
| 5. 6 th thru 9 th = Lot # | Number of unit coming off production line. |
| 6. EXAMPLE: BAW701301 = Built in 1992, January, W, 1070XL/1075XL -, 301 lot # | |

FRONT VIEW



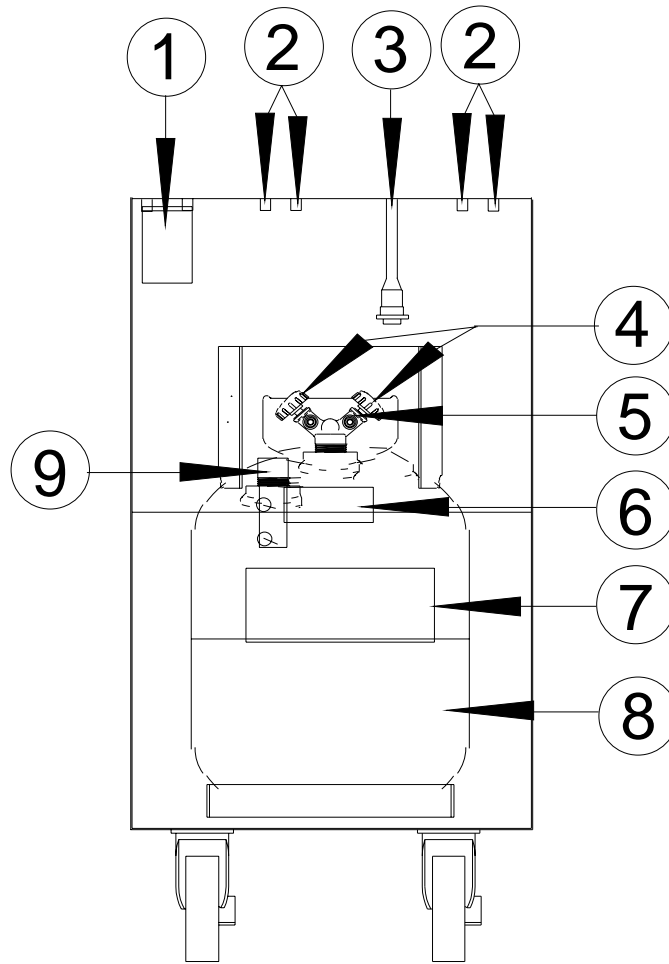
ITEM	DESCRIPTION	PART NUMBER	ITEM	DESCRIPTION	PART NUMBER
1.	Gauge, Low	K15032-SP	6.	Switch, On/Off Rocker (Refrigerant Select)	K30058-SP
2a.	Label, Hour-meter (R12)	K99704-SP	7a.	Board, Recovery (Replaces K1101147)	K1101180-SP
2b.	Label, Hour-meter (R134a)	K99705-SP	8.	Membrane, Recovery Board, Main (Replaces K1101148)	K30006-SP K1101178-SP
3a.	Filter, desicant (Pkg. of 2)	K16200-SP	9.	Lock & Key	K35070-SP
3b.	O-Ring, screen filters	K16208-SP	10a.	Decal, R134a (Refrig Mgnt)	K99702-SP
3c.	Shell, filter	K16203-01-SP	10b.	Decal, R12 (Refrig Mgnt)	K99703-SP
4.	Gauge, High	K15022-SP	11.	Caster, w/brake	K35252-SP
5.	Meter, Hour	K30276-SP	12.	Caster, w/o brake	K35251-SP

TOP VIEW



ITEM	DESCRIPTION	PART NUMBER	ITEM	DESCRIPTION	PART NUMBER
1.	Solenoid, High, Pres.(250psi)	K60065-SP	9.	Condenser	K40002-SP
2.	Solenoid, (N.O. oil return)	K60058-SP	10.	A.C. Terminal (Bus bar)	K30324-SP
3.	Solenoid, Low Pres. (140psi)	K60060-SP	11.	Relay, 6-Post	K30323-SP
4.	Fitting, 1/8" to tube w/ o-ring	K10681-SP	12.	Kit, (Cap, Ther.O.L. & Relay)	K30303-SP
5.	T-fitting	K10653-SP	13.	Heater blanket, small	K30024-SP
6.	Check valve (Replaces all)	K60119-SP	14.	Oil Separator	K16608-SP
7.	Compressor, Super 1/3hp	K16010-01-SP	15.	Switch, High Pres. (435psi)	K30255-SP
8.	Fan, (4")	K32511-SP	16.	Transducer, Pressure	K3020006-SP

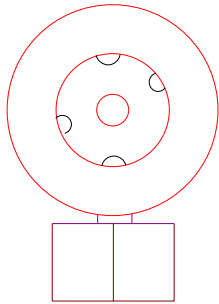
LOWER CABINET



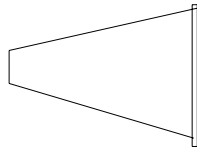
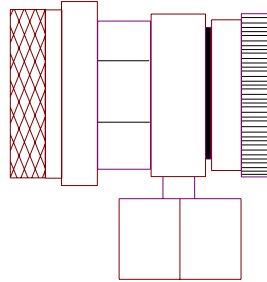
ITEM	DESCRIPTION	PART NUMBER	ITEM	DESCRIPTION	PART NUMBER
1.	Beaker, cup	K90301-SP	8a.	Tank, (R134a/50lb./Blu)	K16429-SP
2.	Bulk Head fittings	K10681-SP	8b.	Tank, (R12/50lb.)	K16419-SP
3.	Cord, Tank Full	K1101031-SP	9.	Board, Tank Full (Probe)	K1101098-SP
4.	Knobs, (Red & Blue)	K90023-SP	N.S.	R.V. Label, (R134a Virgin)	K99701-SP
5.	Valves stems	K60192-SP	N.S.	R.V. Label, (R12 Virgin)	K99700-SP
6.	Label, (Vapor / Liquid)	K99729-SP	N.S.	R.V. Power Cord	K30199-SP
7.	Label, (Danger)	K99363-SP			

R.V. = REAR VIEW

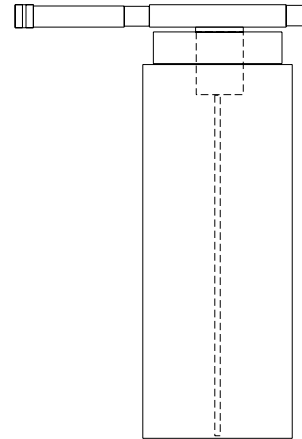
ACCESSORIES



1.



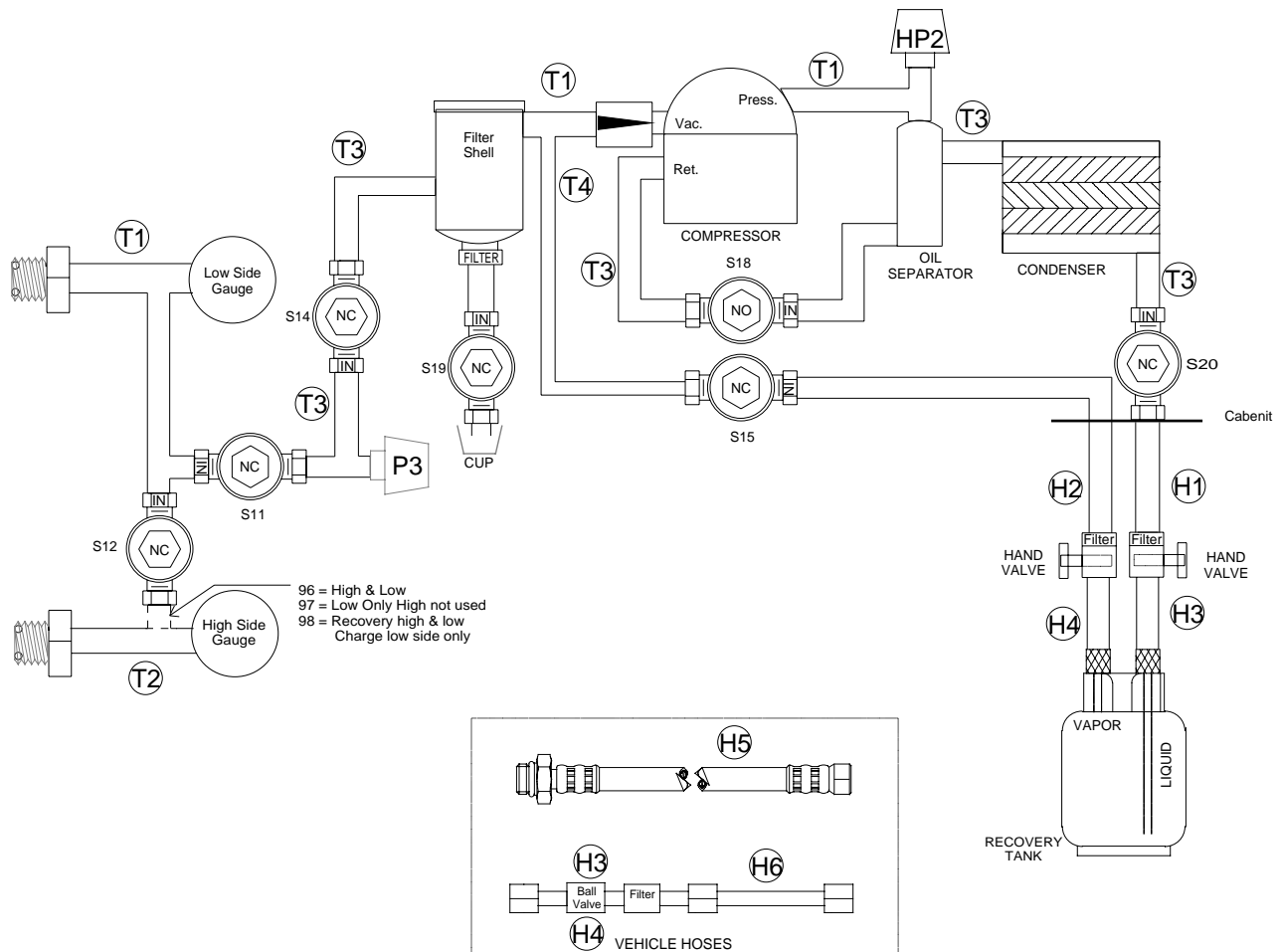
3.



2.

ITEM	DESCRIPTION	PART NUMBER	ITEM	DESCRIPTION	PART NUMBER
1a.	R134a Vehicle Adapter, High	K05000-SP	3.	Micron Filter	K90420-SP
1b.	Same as:	0647-0287-07	NS	Cover, Protective	K99082-SP
1c.	R134a Vehicle Adapter, Low	K05100-SP	NS	Copper O-Ring	K45030-SP
1d.	Same as:	0647-0287-08	NS	Depressor & Gasket Kit for Hose ends R12, R134a (10)	K45351-SP
2a.	Oil Charge Bottle, R12	K01550-SP			
2b.	Oil Charge Bottle, R134a	K01555-SP			

HOSE AND TUBE PART NUMBERS



ITEM	DESCRIPTION	PART NUMBER	ITEM	DESCRIPTION	PART NUMBER
H1.	Hose, (Red 24" R134a)	K24107-003-SP	H5a.	Hose, Red 8' R134a	K24107-005-SP
H1.	Hose, (Yel. 24")	K24207-317-SP	H5b.	Hose, Blue 8' R134a	K24007-005-SP
H2a.	Hose, (Blue 24" R12 & R134a)	K24007-003-SP	H6a.	Hose, Red 8' R12	K25107-123-SP
H2b.	Hose, (Yel. 24")	K24207-309-SP	H6b.	Hose, Blue 8' R12	K25007-143-SP
H3a.	Ball Val. & Hose, R134a Yel. 3"	K60083-SP	T1.	Tube, 18" .085" I.D.	K40848-SP
H3b.	Hose, (Blue, 3" R12)	K60108-SP	T2.	Tube, 7" .085 I.D.	K40807-SP
H3c.	Hose, (Blue, 3" R134a)	K24007-300-SP	T3.	Tube, 12" .085" I.D.	K40852-SP
H4a.	Ball Valve & Hose R12, Yel 3"	K60082-SP	T4.	Tube, Coiled Capillary 042"	K40833-SP
H4b.	Hose, (Red, 3" R12)	K60107-SP			
H4c.	Hose, (Red, 3" R134a)	K24107-300-SP	NS	O-Rings, (Internal)	K45030-SP
H4d.	Hose, (J)	EAH0033I36B	NS	O-Rings, (External)	K45035-SP
H4e.	Hose, (Blue, 30" W)	EAH0033L62A	NS	Depressors & o-rings	K45351-SP

J = Jem, W = White

PARTS IN ALPHABETICAL ORDER

DESCRIPTION	PART NUMBER	COMMENTS
A.C. Terminal	K30324	Bus bar
Ball Valve & Hose	K60082-SP	R12, Yel 3"
Ball Valve & Hose	K60083-SP	R134a Yel.3"
Ball Valve & hose	K60107-SP	Red, 3"
Beaker, cup	K90301-SP	Plastic
Board, Recovery	K1101180-SP	Replaces K1101146
Board, Main	K1101178-SP	Replaces K1101148
Board, Tank Full	K1101098-SP	In tank
Bulk Head fitting	K10681-SP	Fitting, 1/8" to tube w/ o-ring
Caster,	K35251-SP	w/o/brake
Caster,	K35252-SP	w/brake
Check valve	K60119-SP	Replaces all
Compressor, Super	K16010-01-SP	1/3-hp
Condenser	K40002-SP	
Copper O-Ring	K45030-SP	Internal
Cord, Tank Full	K1101031-SP	
Cover, Protective	K99096-SP	
Decal, R12	K99703-SP	R12 Refrigerant Management
Decal, R134a	K99702-SP	R134a Refrigerant Management
Depressor & Gasket Kit	K45351-SP	For Hose ends R12, R134a (10)
Fan,	K32511-SP	4"
Filter, desicant	K16200-SP	Pkg. Of 2
Fitting, 1/8" to tube w/ o-ring	K10681-SP	
Gauge, High	K15022-SP	R12/R134a
Gauge, Low	K15032-SP	R12/R134a
Heater blanket, small	K30024-SP	Filter
Hose	K24007-003	Blue 24"
Hose	K24007-005-SP	Blue 8' R134a
Hose	K24007-300	Blue, 3" R134a
Hose	K24107-003-SP	Red 24" R 134a
Hose	K24107-005-SP	Red 8' R134a
Hose	K24107-300	Red, 3" R134a
Hose	K24207-309-SP	Yel. 24"
Hose	K24207-317-SP	Yel. 24"
Hose	K25007-143-SP	Blue 8' R12
Hose	K25107-123-SP	Red 8' R12
Hose	K60108-SP	Blue, 3" R12
Kit, pump accessories	K30303-SP	Cap./Ther. O.L./ Relay/Cov. & clip
Knob, Spinner control	K90050-SP	
Knobs, both	K90023-SP	On tank
Label	K1-99700-SP	R12 Virgin
Label	K1-99701-SP	R134a Virgin
Label,	K99363-SP	Danger
Label,	K99704-SP	Hour-meter
Label,	K99705-SP	Hour-meter R134a
Label,	K99729-SP	Vapor / Liquid)
Lock & Key	K35070-SP	
Membrane,	K30006-SP	Recovery
Meter Hour	K30276-SP	
Micron Filter	K90420-SP	
Oil Charge Bottle,	K01550-SP	R12
Oil Charge Bottle,	K01555-SP	R134a
Oil Separator	K16608-SP	

CHAPTER 4 PARTS

Oil, Vacuum Pump	K90808-SP	32oz
O-Ring, screen filters	K16208-SP	
O-Rings	K45030-SP	Internal
O-Rings	K45035-SP	External
Power Cord	K30199-SP	
Pump, vacuum	K16019-SP	1.5 CFM
R134a Vehicle Adapter,	K05000-SP	Low
R134a Vehicle Adapter,	K05100-SP	High
R134a Vehicle Adapter, High	0647-0287-07	Same as K05100-SP
R134a Vehicle Adapter, Low	0647-0287-08	Same as K05000-SP
Relay,	K30323-SP	6-Post
Shell, filter	K16203-01-SP	
Solenoid,	K60058-SP	(N.O. oil return)
Solenoid,	K60060-SP	Low Pres. (140psi)
Solenoid,	K60065-SP	High, Pres.(250psi)
Switch, High Pres.	K30255-SP	435 psi
Switch, On/Off Rocker	K30058-SP	(Refrigerant Select)
T-fitting	K10653-SP	
Tank,	K16419-SP	R12 / 50lb.
Tank,	K16429-SP	R134a / 50lb. / Blue
Transducer, Pressure	K3020006-SP	
Tube	K40833-SP	Coiled Capillary 042" I.D.
Tube, 12"	K40852-SP	.085" I.D.
Tube, 18"	K40848-SP	.085" I.D.
Tube, 7"	K40807-SP	.085 I.D.
Valves stems	K60192-SP	

PARTS IN NUMERIC ORDER

PART NUMBER	DESCRIPTION	COMMENTS
K30324	A.C. Terminal	Bus bar
K60082-SP	Ball Valve & Hose	R12, Yel 3"
K60083-SP	Ball Valve & Hose	R134a Yel.3"
K60107-SP	Ball Valve & hose	Red, 3"
K90301-SP	Beaker, cup	Plastic
K1101180-SP	Board, Recovery	Replaces K1101146
K1101178-SP	Board, Main	Replaces K1101148
K1101098-SP	Board, Tank Full	In tank
K10681-SP	Bulk Head fitting	Fitting, 1/8" to tube w/ o-ring
K35251-SP	Caster,	w/o/brake
K35252-SP	Caster,	w/brake
K60119-SP	Check valve	Replaces all
K16010-01-SP	Compressor, Super	1/3-hp
K40002-SP	Condenser	
K45030-SP	Copper O-Ring	Internal
K1101031-SP	Cord, Tank Full	
K99096-SP	Cover, Protective	
K99703-SP	Decal, R12	R12 Refrigerant Management
K99702-SP	Decal, R134a	R134a Refrigerant Management
K45351-SP	Depressor & Gasket Kit	For Hose ends R12, R134a (10)
K32511-SP	Fan,	4"
K16200-SP	Filter, desicant	Pkg. Of 2
K10681-SP	Fitting,1/8" to tube w/ o-ring	
K15022-SP	Gauge, High	R12/R134a
K15032-SP	Gauge, Low	R12/R134a
K30024-SP	Heater blanket, small	Filter
K24007-003	Hose	Blue 24"
K24007-005-SP	Hose	Blue 8' R134a
K24007-300	Hose	Blue, 3" R134a
K24107-003-SP	Hose	Red 24" R 134a
K24107-005-SP	Hose	Red 8' R134a
K24107-300	Hose	Red, 3" R134a
K24207-309-SP	Hose	Yel. 24"
K24207-317-SP	Hose	Yel. 24"
K25007-143-SP	Hose	Blue 8' R12
K25107-123-SP	Hose	Red 8' R12
K60108-SP	Hose	Blue, 3" R12
K30303-SP	Kit, pump accessories	Cap./Ther. O.L./ Relay/Cov. & clip
K90050-SP	Knob, Spinner control	
K90023-SP	Knobs, both	On tank
K1-99700-SP	Label	R12 Virgin
K1-99701-SP	Label	R134a Virgin
K99363-SP	Label,	Danger
K99704-SP	Label,	Hour-meter
K99705-SP	Label,	Hour-meter R134a
K99729-SP	Label,	Vapor / Liquid)
K35070-SP	Lock & Key	
K30006-SP	Membrane,	Recovery
K30276-SP	Meter Hour	
K90420-SP	Micron Filter	
K01550-SP	Oil Charge Bottle,	R12
K01555-SP	Oil Charge Bottle,	R134a
K16608-SP	Oil Separator	
K90808-SP	Oil, Vacuum Pump	32oz

CHAPTER 4 PARTS

K16208-SP	O-Ring, screen filters	
K45030-SP	O-Rings	Internal
K45035-SP	O-Rings	External
K30199-SP	Power Cord	
K16019-SP	Pump, vacuum	1.5 CFM
K05000-SP	R134a Vehicle Adapter,	Low
K05100-SP	R134a Vehicle Adapter,	High
0647-0287-07	R134a Vehicle Adapter, High	Same as K05100-SP
0647-0287-08	R134a Vehicle Adapter, Low	Same as K05000-SP
K30323-SP	Relay,	6-Post
K16203-01-SP	Shell, filter	
K60058-SP	Solenoid,	(N.O. oil return)
K60060-SP	Solenoid,	Low Pres. (140psi)
K60065-SP	Solenoid,	High, Pres.(250psi)
K30255-SP	Switch, High Pres.	435 psi
K30058-SP	Switch, On/Off Rocker	(Refrigerant Select)
K10653-SP	T-fitting	
K16419-SP	Tank,	R12 / 50lb.
K16429-SP	Tank,	R134a / 50lb. / Blue
K3020006-SP	Transducer, Pressure	
K40833-SP	Tube	Coiled Capillary 042" I.D.
K40852-SP	Tube, 12"	.085" I.D.
K40848-SP	Tube, 18"	.085" I.D.
K40807-SP	Tube, 7"	.085 I.D.
K60192-SP	Valves stems	
