

Service
Service
Service



Service Manual

Horizontal Frequency
30-80 KHz

Table of Contents

Description	Page	Description	Page
Table of Contents.....	1	6.Schematic.....	29
Revision List.....	2	6.1.Main Board.....	29
Important Safety Notice.....	3	6.2.Power Board.....	38
1.Monitor Specification.....	4	6.3.Key Board.....	41
2.LCD Monitor Description.....	6	6.4.USB Board.....	42
3.Operation Instruction.....	7	7.PCB Layout.....	44
3.1.General Instructions.....	8	7.1.Main Board.....	44
3.2.Control Button.....	8	7.2.Power Board.....	50
3.3.OSD Menu.....	8	7.3.Key Board.....	50
4.Input/Output Specification.....	20	7.4.USB Board.....	53
4.1.Input Signal Connector.....	20	8.Maintainability.....	55
4.2.Factory Preset Display Modes.....	21	8.1.Equipments and Tools Requirement.....	55
4.3.Panel Specification.....	23	8.2.Trouble Shooting.....	56
5.Block Diagram.....	26	9.White-Balance, Luminance Adjustment.....	60
5.1.Main Board.....	26	10.Monitor Exploded View.....	62
5.2.Power Board.....	29	11.BOM List.....	64

SAFETY NOTICE

ANY PERSON ATTEMPTING TO SERVICE THIS CHASSIS MUST FAMILIARIZE HIMSELF WITH THE CHASSIS AND BE AWARE OF THE NECESSARY SAFETY PRECAUTIONS TO BE USED WHEN SERVICING ELECTRONIC EQUIPMENT CONTAINING HIGH VOLTAGES.

CAUTION: USE A SEPARATE ISOLATION TRANSFORMER FOR THIS UNIT WHEN SERVICING

Revision List

Version	Release Date	Revision History	Customer Name	TPV Model Name
A00	Aug.10,2010	Initial release	2341Va	TDASNTEBWVA1PN
A01	Oct.26.2010	Add new model	2341Sa	TDASNTEBWVA1UN
A02	Nov.08.2010	Add new model	2341Sa	TDASNTN8WVA1AN
A03	Dec.10.2010	Add new models	2341Va	TDASNTEBWVA1PNE
			2341Vg	TDASNTNEWVA1BNE

Important Safety Notice

Proper service and repair is important to the safe, reliable operation of all AOC Company Equipment. The service procedures recommended by AOC and described in this service manual are effective methods of performing service operations. Some of these service operations require the use of tools specially designed for the purpose. The special tools should be used when and as recommended.

It is important to note that this manual contains various CAUTIONS and NOTICES which should be carefully read in order to minimize the risk of personal injury to service personnel. The possibility exists that improper service methods may damage the equipment. It is also important to understand that these CAUTIONS and NOTICES ARE NOT EXHAUSTIVE. AOC could not possibly know, evaluate and advise the service trade of all conceivable ways in which service might be done or of the possible hazardous consequences of each way. Consequently, AOC has not undertaken any such broad evaluation. Accordingly, a servicer who uses a service procedure or tool which is not recommended by AOC must first satisfy himself thoroughly that neither his safety nor the safe operation of the equipment will be jeopardized by the service method selected.

Hereafter throughout this manual, AOC Company will be referred to as AOC.

WARNING

Use of substitute replacement parts, which do not have the same, specified safety characteristics may create shock, fire, or other hazards.

Under no circumstances should the original design be modified or altered without written permission from AOC. AOC assumes no liability, express or implied, arising out of any unauthorized modification of design. Servicer assumes all liability.

FOR PRODUCTS CONTAINING LASER:

DANGER-Invisible laser radiations when open AVOID DIRECT EXPOSURE TO BEAM.

CAUTION-Use of controls or adjustments or performance of procedures other than those specified herein may result in hazardous radiation exposure.

CAUTION -The use of optical instruments with this product will increase eye hazard.

TO ENSURE THE CONTINUED RELIABILITY OF THIS PRODUCT, USE ONLY ORIGINAL MANUFACTURER'S REPLACEMENT PARTS, WHICH ARE LISTED WITH THEIR PART NUMBERS IN THE PARTS LIST SECTION OF THIS SERVICE MANUAL.

Take care during handling the LCD module with backlight unit

- Must mount the module using mounting holes arranged in four corners.
- Do not press on the panel, edge of the frame strongly or electric shock as this will result in damage to the screen.
- Do not scratch or press on the panel with any sharp objects, such as pencil or pen as this may result in damage to the panel.
- Protect the module from the ESD as it may damage the electronic circuit (C-MOS).
- Make certain that treatment person's body is grounded through wristband.
- Do not leave the module in high temperature and in areas of high humidity for a long time.
- Avoid contact with water as it may a short circuit within the module.
- If the surface of panel becomes dirty, please wipe it off with a soft material. (Cleaning with a dirty or rough cloth may damage the panel.)

Monitor Specifications

2341Va

LCD Panel	Model number	2341Va		
	Driving system	TFT Color LED		
	Viewable Image Size	58.5 cm		
	Pixel pitch	0.2655(H)x0.2655(V)mm		
	Video	R, G, B Analog Interface		
	Separate Sync.	H/V TTL		
	Display Color	16.7M Colors		
	Dot Clock	148.5MHz		
Resolution	Horizontal scan range	30 kHz - 80 kHz		
	Horizontal scan Size(Maximum)	509.76mm		
	Vertical scan range	55 Hz - 75 Hz		
	Vertical scan Size(Maximum)	286.74mm		
	Optimal preset resolution	1920 x 1080 (60 Hz)		
	Highest preset resolution	1920 x 1080 (60 Hz)		
	Plug & Play	VESA DDC2B/CI		
	Input Connector	D-Sub 15pin & DVI 24pin		
	Input Video Signal	Analog: 0.7Vp-p(standard), 75 OHM,Positive&DVI-D Digital Interface(TMDS)		
	Power Source	100~240VAC, 50/60Hz		
	Power Consumption	On: <30W		
Standby < 0.1 W				
Physical Characteristics	Connector Type	15-pin Mini D-Sub & 24-pin DVI		
	Signal Cable Type	Detachable		
	Dimensions & Weight:	Height (with base)	412.5 mm	
		Width	619.7mm	
		Depth	186.8mm	
Weight (monitor only)		4.79kg		
Environmental	Temperature:	Operating	0° to 40°	
		Non-Operating	-25°C - +55°C	
	Humidity:	Operating	10% - 85% (non-condensing)	
		Non-Operating	5% - 93% (non-condensing)	
	Altitude:	Operating	0~ 3,658m (0~ 12,000 ft)	
		Non-Operating	0~ 12,192m (0~ 40,000 ft)	

2341Sa

LCD Panel	Model number	2341Sa		
	Driving system	TFT Color LED		
	Viewable Image Size	58.5 cm		
	Pixel pitch	0.2655(H)x0.2655(V)mm		
	Video	R, G, B Analog Interface		
	Separate Sync.	H/V TTL		
	Display Color	16.7M Colors		
	Dot Clock	148.5MHz		
Resolution	Horizontal scan range	30 kHz - 80 kHz		
	Horizontal scan Size(Maximum)	509.76mm		
	Vertical scan range	55 Hz - 75 Hz		
	Vertical scan Size(Maximum)	286.74mm		
	Optimal preset resolution	1920 x 1080 (60 Hz)		
	Highest preset resolution	1920 x 1080 (60 Hz)		
	Plug & Play	VESA DDC2B/CI		
	Input Connector	D-Sub 15pin		
	Input Video Signal	Analog: 0.7Vp-p(standard), 75 OHM		
	Power Source	100~240VAC, 50/60Hz		
	Power Consumption	On: <30W		
Standby < 0.1 W				
Physical Characteristics	Connector Type	15-pin Mini D-Sub		
	Signal Cable Type	Detachable		
	Dimensions & Weight:	Height (with base)	412.5 mm	
		Width	619.7mm	
		Depth	186.8mm	
Weight (monitor only)		4.79kg		
Environmental	Temperature:	Operating	0° to 40°	
		Non-Operating	-25°C - +55°C	
	Humidity:	Operating	10% - 85% (non-condensing)	
		Non-Operating	5% - 93% (non-condensing)	
	Altitude:	Operating	0~ 3,658m (0~ 12,000 ft)	
		Non-Operating	0~ 12,192m (0~ 40,000 ft)	

2341Vg

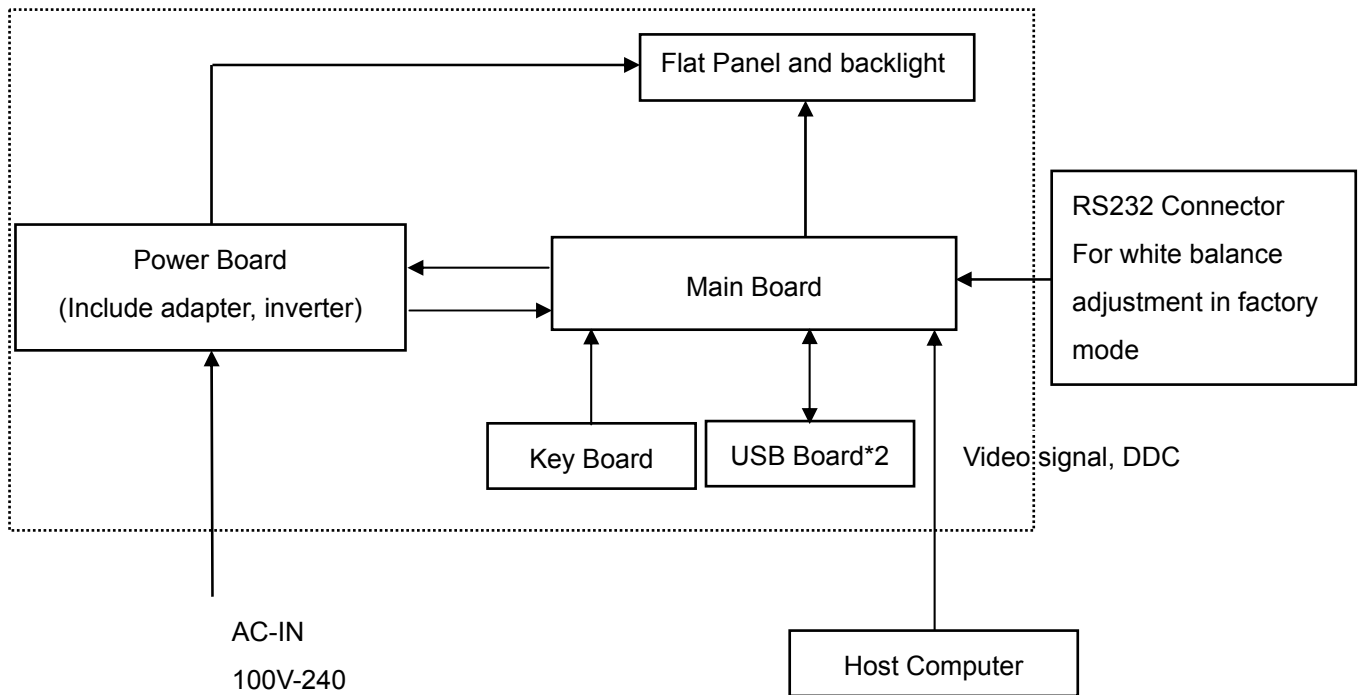
Panel	Model number	2341Vg
	Driving system	TFT Color LCD
	Viewable Image Size	58.5cm diagonal
	Pixel pitch	0.2655 mm(H) x 0.2655 mm(V)
	Video	R, G, B Analog Interface
	Separate Sync.	H/V TTL
	Display Color	16.7M Colors
	Dot Clock	148.5 MHz
Resolution	Horizontal scan range	30 kHz - 80 kHz
	Horizontal scan Size(Maximum)	509.76mm
	Vertical scan range	55 Hz - 75 Hz
	Vertical scan Size(Maximum)	286.74mm
	Optimal preset resolution	1920 x 1080 (60 Hz)
	Highest preset resolution	1920 x 1080 (60 Hz)
	Plug & Play	VESA DDC2B/CI
	Input Connector	D-Sub 15pin & DVI 24pin
	Input Video Signal	Analog: 0.7Vp-p(standard), 75 OHM, Positive & DVI-D Digital Interface (TMDS)
	Power Source	100-240V~, 50/60Hz
	Power Consumption	Active < 30 W Standby < 0.1 W
USB Downstream port (A type)	To USB device, loading < 100mA	
Physical Characteristics	Connector Type	15-pin Mini D-Sub & 24-pin DVI
	Signal Cable Type	Detachable
	Dimensions & Weight:	
	Height (with base)	412.5mm
	Width	619.7 mm
	Depth	186.8 mm
	Weight (monitor only)	5.55kg
Environmental	Temperature:	
	Operating	0°C to 40° C
	Non-Operating	-25°Cto 55°C
	Humidity:	
	Operating	10% to 85% (non-condensing)
	Non-Operating	5% to 93% (non-condensing)
	Altitude:	
	Operating	0~ 3,658m (0~ 12,000 ft)
	Non-Operating	0~ 12,192m (0~ 40,000 ft)

2. LCD Monitor Description

The LCD monitor will contain a main board, a power board, a key board and two USB boards which house the flat panel control logic, brightness control logic and DDC.

The power board will provide AC to DC Inverter voltage to drive the backlight of panel and the main board chips each voltage.

Monitor Block Diagram

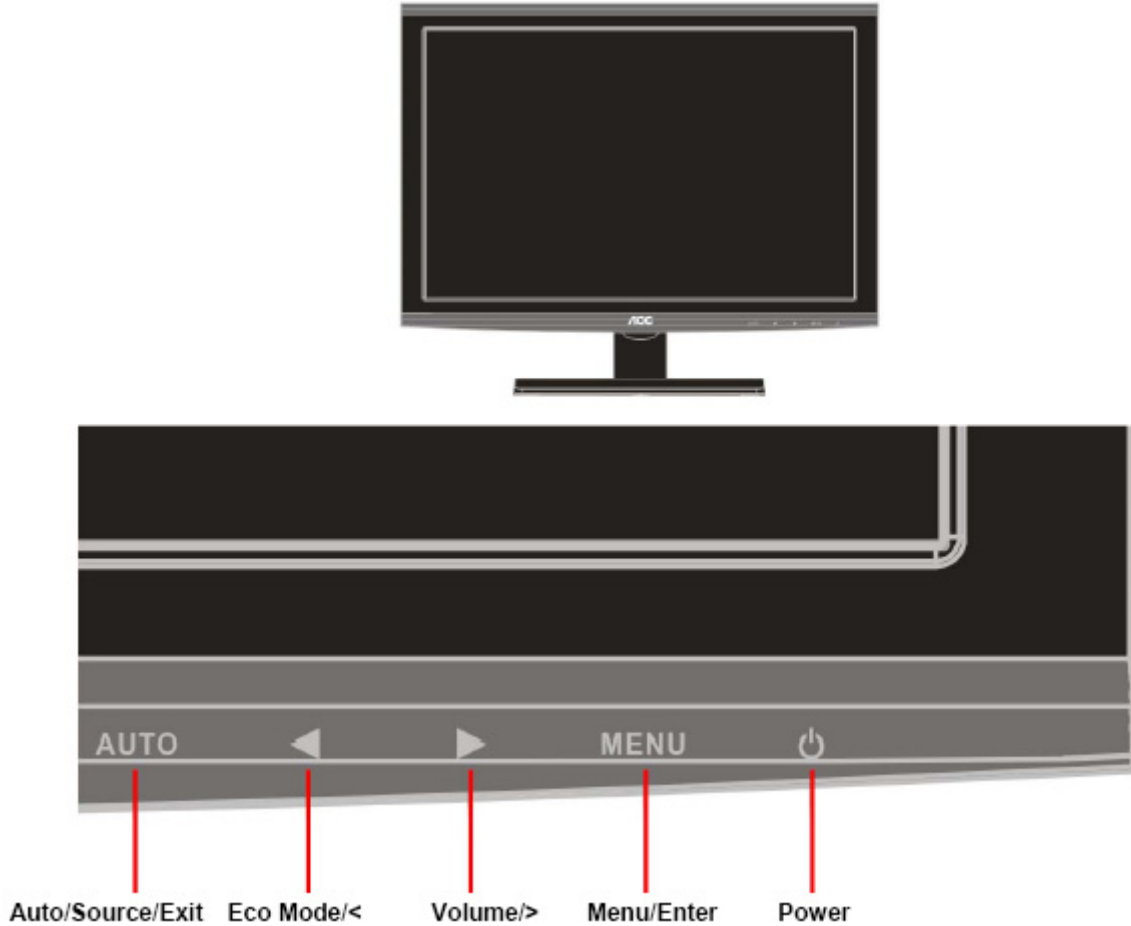


3. Operating Instructions

3.1 General Instructions

Press the power button to turn the monitor on or off. The other control knobs are located at front panel of the monitor. By changing these settings, the picture can be adjusted to your personal preferences.

3.2 Control Buttons



Power

Press the Power button to turn on/off the monitor.

Volume / >

When there is no OSD, press Volume > to active volume adjustment bar, press < or > to adjust volume.

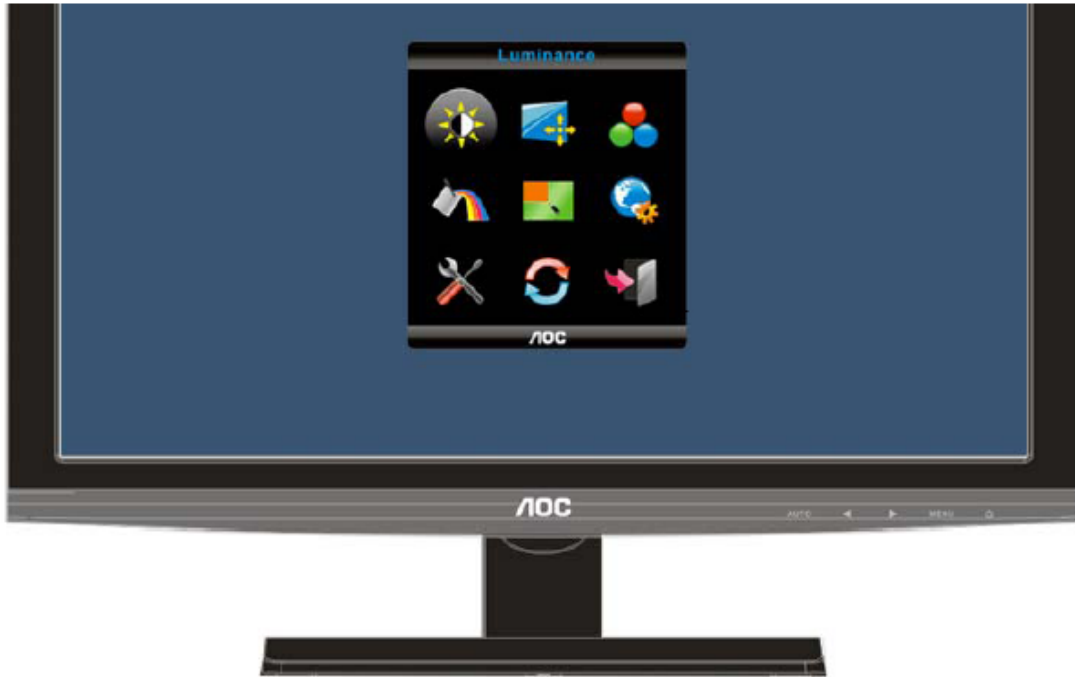
Eco Mode / <

Press the Eco key continuously to select the Eco mode of brightness when there is no OSD (Eco mode hot key may not be available in all models).

Auto / Exit / Source hot key

When the OSD is closed, press Auto button will be auto configure hot key function. When the OSD is closed, press Source button will be Source hot key function. Press Source button continuously to select the input source showed in the message bar, press Menu/Enter button to change to the source selected.

3.3 OSD Menu



- 1) Press the **MENU-button** to activate the OSD window.
- 2) Press **< or >** to navigate through the functions. Once the desired function is highlighted, press the **MENU-button** to activate sub-menu. Once the desired function is highlighted, press **MENU-button** to activate it.
- 3) Press **< or >** to change the settings of the selected function. Press **< or >** to select another function in sub-menu. Press **AUTO** to exit. If you want to adjust any other function, repeat steps 2-3.
- 4) OSD Lock Function: To lock the OSD, press and hold the **MENU button** while the monitor is off and then press **power button** to turn the monitor on. To un-lock the OSD - press and hold the **MENU button** while the monitor is off and then press **power button** to turn the monitor on.

Notes:

- 1) If the product has only one signal input, the item of "Input Select" is disable to adjust.
- 2) If the product screen size is 4:3 or input signal resolution is wide format, the item of "Image Ratio" is disable to adjust.
- 3) One of DCR, Color Boost, and Picture Boost functions is active, the other two function is turned off accordingly.

Luminance


1



Press **MENU** (Menu) to display menu.

2



Press **<** or **>** to select  (Luminance), and press **MENU** to enter.

3



Press **<** or **>** to select submenu, press **MENU** to enter, and press **<** or **>** to adjust.

4



Press **AUTO** to exit.










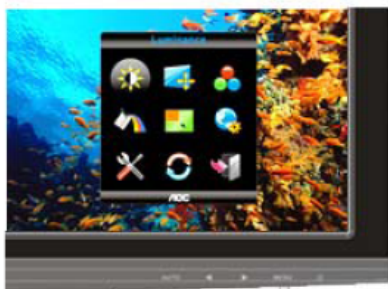
	Brightness	0-100		Backlight Adjustment
	Contrast	0-100		Contrast from Digital-register.
	Eco mode	Standard		Standard Mode
		Text		Text Mode
		Internet		Internet Mode
		Game		Game Mode
		Movie		Movie Mode
		Sports		Sports Mode
	Gamma	Gamma1		Adjust to Gamma 1
		Gamma2		Adjust to Gamma 2
		Gamma3		Adjust to Gamma 3
	DCR	Off		Disable dynamic contrast ratio
		On		Enable dynamic contrast ratio

Image Setup


1



Press **MENU** (Menu) to display menu.

2



Press **<** or **>** to select  (Image Setup), and press **MENU** to enter.

3




Press **<** or **>** to select submenu, press **MENU** to enter, and press **<** or **>** to adjust.

4



Press **AUTO** to exit.


	Clock	0-100	Adjust picture Clock to reduce Vertical-Line noise.
	Phase	0-100	Adjust Picture Phase to reduce Horizontal-Line noise
	H.Position	0-100	Adjust the horizontal position of the picture.
	V.Position	0-100	Adjust the vertical position of the picture.

Color Temperature



Press **MENU** (Menu) to display menu.




Press **<** or **>** to select  (Color Temperature), and press **MENU** to enter.



Press **<** or **>** to select submenu, press **MENU** to enter, and press **<** or **>** to adjust.



Press **AUTO** to exit.


	Warm	6500K	Recall Warm Color Temperature from EEPROM.
	Normal	7300K	Recall Normal Color Temperature from EEPROM.
	Cool	9300K	Recall Cool Color Temperature from EEPROM.
	sRGB		Recall sRGB Color Temperature from EEPROM.
	User	Red	Red Gain from Digital-register
	Green	Green Gain Digital-register.	
	Blue	Blue Gain from Digital-register	

Color Boost



Press **MENU** (Menu) to display menu.



Press **<** or **>** to select  (Color Boost), and press **MENU** to enter.



Press **<** or **>** to select submenu, press **MENU** to enter, and press **<** or **>** to adjust.



Press **AUTO** to exit.


	Full Enhance	on or off	Disable or Enable Full Enhance Mode
	Nature Skin	on or off	Disable or Enable Nature Skin Mode
	Green Field	on or off	Disable or Enable Green Field Mode
	Sky-blue	on or off	Disable or Enable Sky-blue Mode
	AutoDetect	on or off	Disable or Enable AutoDetect Mode
	Demo	on or off	Disable or Enable Demo

Picture Boost

1



Press **MENU** (Menu) to display MENU.

Press **<** or **>** to select  (Picture Boost); and press **MENU** to enter.

2



Press **<** or **>** to select Bright Frame.
Select "on" to activate Picture Boost.

3



Press **<** or **>** to select submenu, press **MENU** to enter, and press **<** or **>** to adjust.

4



Press **AUTO** to exit.


	Frame Size	14-100	Adjust Frame Size
	Brightness	0-100	Adjust Frame Brightness
	Contrast	0-100	Adjust Frame Contrast
	H. position	0-100	Adjust Frame horizontal Position
	V.position	0-100	Adjust Frame vertical Position
	Bright Frame	on or off	Disable or Enable Bright Frame

OSD Setup



Press **MENU** (Menu) to display menu.




Press **<** or **>** to select  (OSD Setup), and press **MENU** to enter.



Press **<** or **>** to select submenu, press **MENU** to enter, and press **<** or **>** to adjust.



Press **AUTO** to exit.

	OSD Setup		
	H.Position	0-100	Adjust the horizontal position of OSD
	V.Position	0-100	Adjust the vertical position of OSD
	Timeout	5-120	Adjust the OSD Timeout
	Transparence	0-100	Adjust the transparence of OSD
	Language		Select the OSD language

Extra


1



Press **MENU** (Menu) to display menu.

2



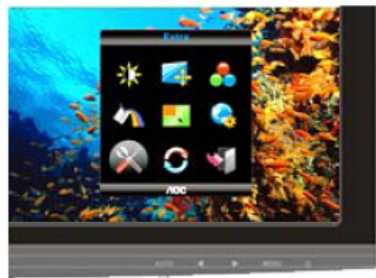
Press **<** or **>** to select  (OSD Setup), and press **MENU** to enter.

3




Press **<** or **>** to select submenu, press **MENU** to enter, and press **<** or **>** to adjust.

4



Press **AUTO** to exit.

	Input Select	Auto	Select to Auto Detect input signal
		Analog	Select Analog Signal Source as Input
		DVI	Select Analog Signal Source as Input
	Auto Config	yes or no	Auto adjust the picture to default
	Image Ratio	wide or 4:3	Select wide or 4:3 format for display
	DDC-CI	yes or no	Turn ON/OFF DDC-CI Support
	Off Timer	0~24hours	Select timing to turn off the monitor.
	Information		Show the information of the main image and sub-image source

Reset


1



Press **MENU** (Menu) to display menu.

2



Press **<** or **>** to select  (Reset), and press **MENU** to enter.

3




Press **<** or **>** to select YES or NO.

4



Press **AUTO** to exit.

	Reset	yes or no	Reset the menu to default
---	-------	-----------	---------------------------

Exit


1



Press **MENU** (Menu) to display menu.

2



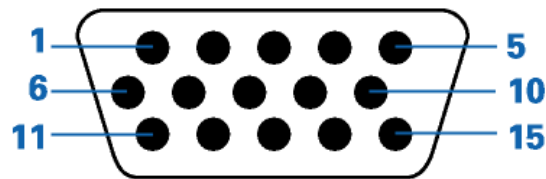
Press **<** or **>** to select  (Exit);
and press **MENU** to exit.

	Exit		Exit the main OSD
---	------	--	-------------------

4. Input/Output Specification

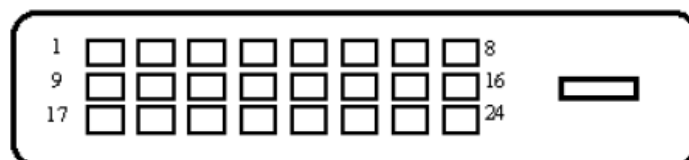
4.1 Input Signal Connector

Analog connector



Pin Number	15-Pin Side of the Signal Cable
1	Video-Red
2	Video-Green
3	Video-Blue
4	N.C.
5	Detect Cable
6	GND-R
7	GND-G
8	GND-B
9	+5V
10	Ground
11	N.C.
12	DDC-Serial data
13	H-sync
14	V-sync
15	DDC-Serial clock

DVI connector (2341Va)



Pin No.	Signal Name	Pin No.	Signal Name	Pin No.	Signal Name
1	TMDS Data 2-	9	TMDS Data 1-	17	TMDS Data 0-
2	TMDS Data 2+	10	TMDS Data 1+	18	TMDS Data 0+
3	TMDS Data 2/4 Shield	11	TMDS Data 1/3 Shield	19	TMDS Data 0/5 Shield
4	TMDS Data 4-	12	TMDS Data 3-	20	TMDS Data 5-
5	TMDS Data 4+	13	TMDS Data 3+	21	TMDS Data 5+
6	DDC Clock	14	+5V Power	22	TMDS Clock Shield
7	DDC Data	15	Ground(for+5V)	23	TMDS Clock +
8	N.C.	16	Hot Plug Detect	24	TMDS Clock -

4.2 Factory Preset Display Modes

2341Va&2341Sa

STANDARD	RESOLUTION	HORIZONTAL FREQUENCY(KHz)	VERTICAL FREQUENCY(Hz)
VGA	640x480@60Hz	31.469kHz	59.94 Hz
	640x480@72Hz	37.861kHz	72.809 Hz
	640x480@75Hz	37.5kHz	75 Hz
SVGA	800x600@56Hz	35.156kHz	56.25 Hz
	800x600@60Hz	37.879kHz	60.317 Hz
	800x600@72Hz	48.077kHz	72.188Hz
	800x600@75Hz	46.875kHz	75 Hz
XGA	1024x768@60Hz	48.363kHz	60.004 Hz
	1024x768@70Hz	56.476kHz	70.069 Hz
	1024x768@72Hz	57.669kHz	71.996 Hz
	1024x768@75Hz	60.023kHz	75.029 Hz
SXGA	1280x1024@60Hz	63.981kHz	60.02 Hz
	1280x1024@70Hz	74.882kHz	69.853 Hz
	1280x1024@72Hz	63.981kHz	60.02 Hz
	1280x1024@75Hz	79.976kHz	75.025 Hz
WXGA	1440x900@60Hz	55.935kHz	55.876 Hz
WSXGA	1680x1050@60Hz	65.29kHz	59.95Hz
***	1152x864@75Hz	67.5kHz	75Hz
	1280x960@60Hz	60kHz	60Hz
HD	1920x1080@60Hz	67.5kHz	59.934Hz
IBM-MODE DOS	720x400@70Hz	31.469kHz	70.087Hz
MAC MODE VGA	640x480@67Hz	35kHz	66.667Hz
MAC MODE SVGA	832x624@75Hz	49.725kHz	74.551Hz

2341Vg

STANDARD	RESOLUTION	HORIZONTAL FREQUENCY(KHz)	VERTICAL FREQUENCY(Hz)
VGA	640x480@60Hz	31.469kHz	59.94 Hz
	640x480@72Hz	37.861kHz	72.809 Hz
	640x480@75Hz	37.5kHz	75 Hz
SVGA	800x600@56Hz	35.156kHz	56.25 Hz
	800x600@60Hz	37.879kHz	60.317 Hz
	800x600@72Hz	48.077kHz	72.188Hz
	800x600@75Hz	46.875kHz	75 Hz
XGA	1024x768@60Hz	48.363kHz	60.004 Hz
	1024x768@75Hz	60.023kHz	75.029 Hz
SXGA	1280x1024@60Hz	63.981kHz	60.02 Hz
	1280x1024@75Hz	79.976kHz	75.025 Hz
WXGA	1440x900@60Hz	55.935kHz	55.876 Hz
WSXGA	1680x1050@60Hz	65.29kHz	59.95Hz
***	1280x960@60Hz	60kHz	60Hz
HD	1920x1080@60Hz	67.5kHz	59.934Hz
IBM-MODE DOS	720x400@70Hz	31.469kHz	70.087Hz
MAC MODE VGA	640x480@67Hz	35kHz	66.667Hz
MAC MODE SVGA	832x624@75Hz	49.725kHz	74.551Hz

4.3 Panel Specification

4.3.1 General Features

LTM230HT03 is a color active matrix liquid crystal display (LCD) that uses amorphous silicon TFT (Thin Film Transistor) as switching components. This model is composed of a TFT LCD panel, a driver circuit and a back light unit. The resolution of a 23" is 1920 x 1080 and this model can display up to 16.7 millions colors.

4.3.2 Display Characteristics

Items	Specification	Unit
Pixel Pitch	0.2655(H) x 0.2655(W)	mm
Active Display Area	509.76(H) x 286.74(V)	mm
Surface Treatment	Haze 25% , Hard coating (3H)	
Display Colors	16.7M (Hi-FRC)	colors
Number of Pixels	1,920 x 1,080	pixel
Pixel Arrangement	RGB vertical stripe	
Display Mode	Normally White	
Luminance of White	250(Typ.)	cd/ m ²

4.3.3 Electrical Characteristics

TFT LCD Module

Ta = 25°C

Item		Symbol	Min.	Typ.	Max.	Unit
Voltage of Power Supply		V _{DD}	4.5	5.0	5.5	V
LVDS Input Characteristics	Differential Input Voltage for LVDS Receiver Threshold	High	-	-	+100	mV
		Low	-100	-	-	mV
	LVDS skew	t _{SKEW}	-300		300	ps
	Differential input voltage	V _{ID}	200		600	mV
	Input voltage range (single-ended)	V _{IN}	0		2.4	V
	Common mode voltage	V _{CM}	0+ V _{ID} /2	1.2	2.4- V _{ID} /2	V
Current of Power Supply	(a) Black	I _{DD}	-	1,600	-	mA
	(b) White		-	1,100	-	mA
	(c) Dot		-	1,800	2,200	mA
Vsync Frequency		f _V	49	60	77	Hz
Hsync Frequency		f _H	54	66	88	kHz
Main Frequency		f _{DCLK}	54	67.3	87.5	MHz
Rush Current		I _{RUSH}	-	-	5.0	A

Backlight

Ta=25 ± 2°C

Item		Symbol	Min.	Typ.	Max.	Unit
Lamp Current		I _L	4.0	7.5	8.0	mArms
Lamp Voltage		V _L	-	850	-	Vrms
Lamp Frequency		f _L	40	-	80	kHz
Operating Life Time		Hr	50,000	-	-	Hour
Inverter waveform	Asymmetry rate	Wasy	-	-	10	%
	Distortion rate	Wdis	1.2726	1.414	1.5554	
Startup Voltage		Vs	-	-	0°C : 1,840 25°C : 1,450	Vrms

4.3.4 Optical Characteristics

(Ta = 25 ± 2°C, VDD=5V, fv= 60Hz, fDCLK= 67.3 MHz, IL = 7.5mArms)

Item	Symbol	Condition	Min.	Typ.	Max.	Unit	
Contrast Ratio (Center of screen)	C/R		600	1000	-		
Response Time(On/Off)	On/Off	Tr + Tf	-	5	10	msec	
Luminance of White (Center of screen)	Y_L		200	250	-	cd/m ²	
Color Chromaticity (CIE 1931)	Red	Rx	0.610	0.640	0.670		
		Ry	0.300	0.330	0.360		
	Green	Gx	0.270	0.300	0.330		
		Gy	0.570	0.600	0.630		
	Blue	Bx	0.120	0.150	0.180		
		By	0.030	0.060	0.090		
	White	Wx	0.283	0.313	0.343		
		Wy	0.299	0.329	0.359		
	Color Chromaticity (CIE 1976)	Red	Ru'	-	0.451	-	
			Rv'	-	0.523	-	
Green		Gu'	-	0.125	-		
		Gv'	-	0.564	-		
Blue		Bu'	-	0.175	-		
		Bv'	-	0.158	-		
White		Wu'	-	0.198	-		
		Wv'	-	0.468	-		
C.G.L (ACC ONLY)	White	$\Delta u'v'$	-	-	0.02		

Normal
 $\theta_{L,R}=0$
 $\theta_{U,D}=0$
Viewing Angle

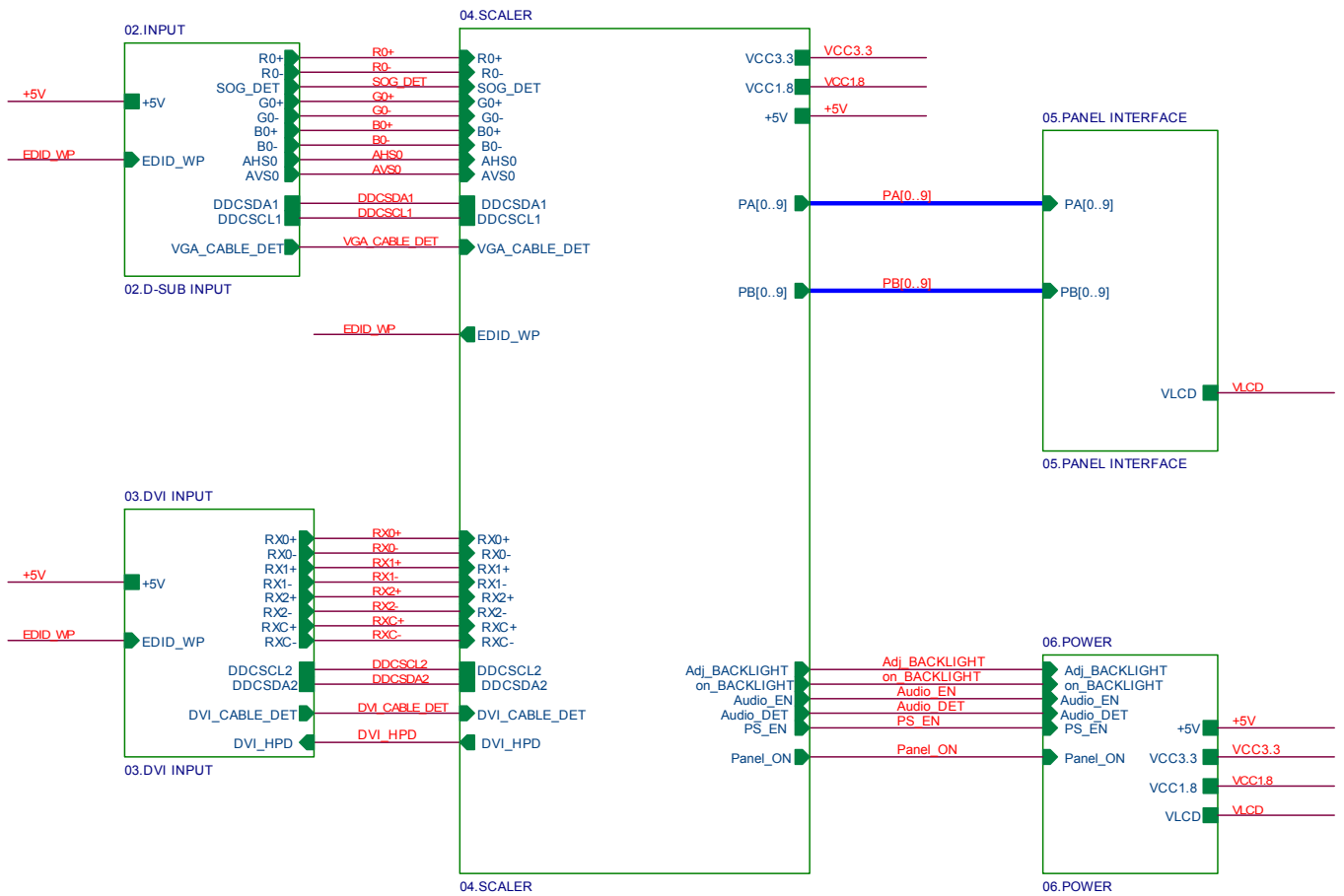
Item	Symbol	Condition	Min.	Typ.	Max.	Unit
Color Gamut	-		-	72	-	%
Color Temperature	-		-	6500	-	K
Viewing Angle	Hor.	θ_L	70	80	-	Degrees
		θ_R	70	80	-	
	Ver.	θ_U	70	80	-	
		θ_D	70	80	-	
Brightness Uniformity (9 Points)	B_{uni}		-	-	25	%

CR ≥ 10

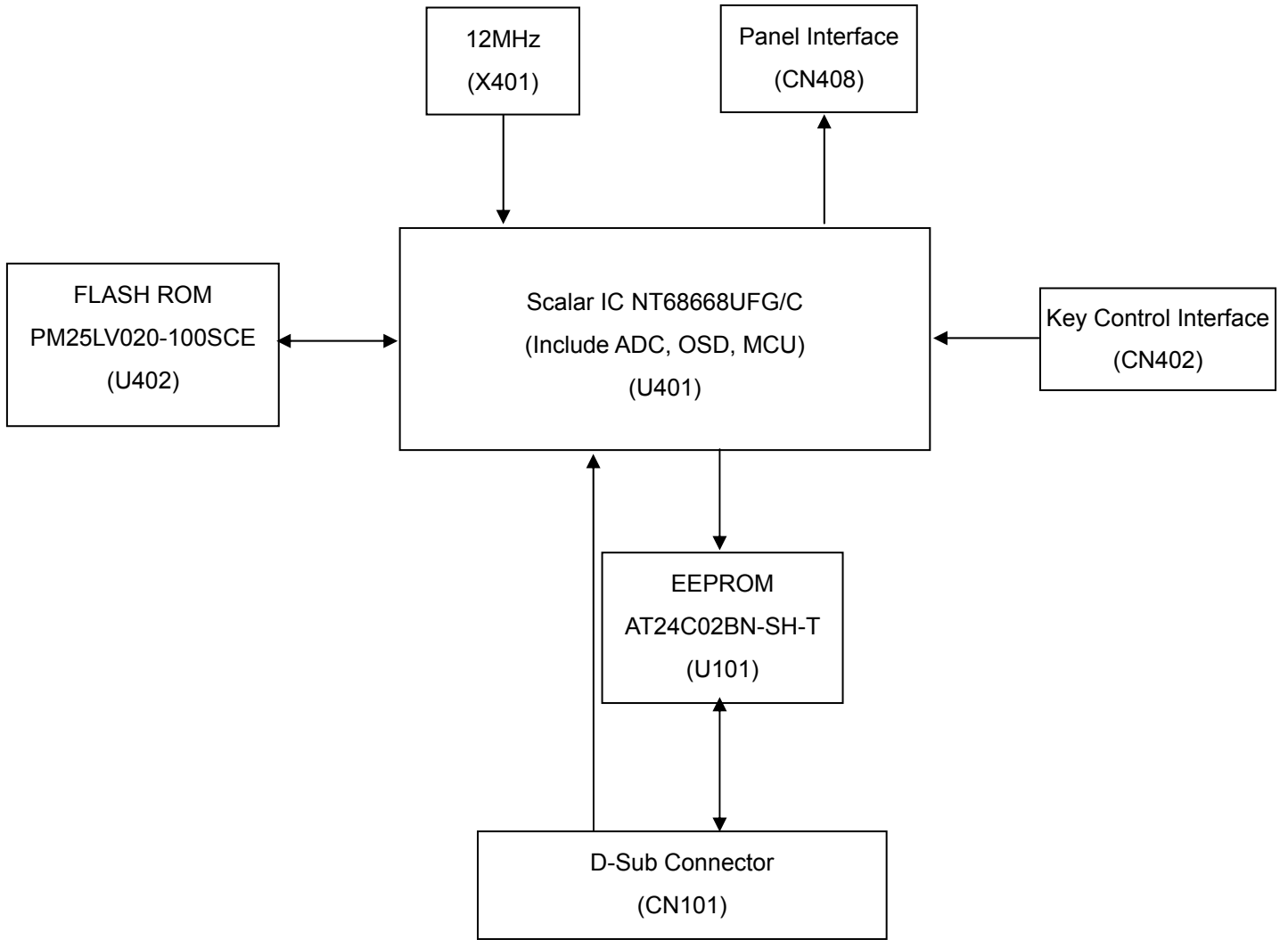
5. Block Diagram

5.1 Main Board

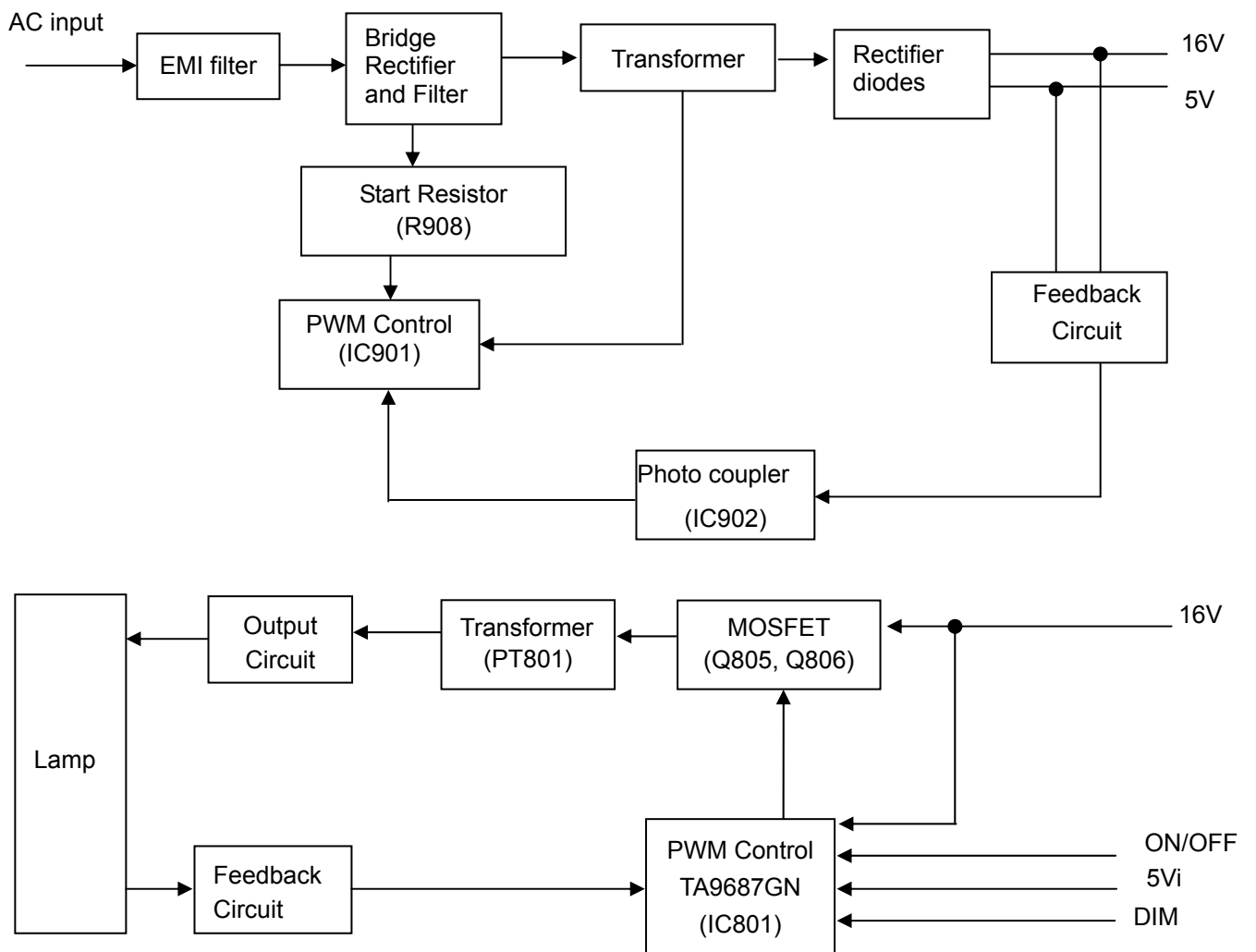
2341Va & 2341Vg



2341Sa



5.2 Power Board

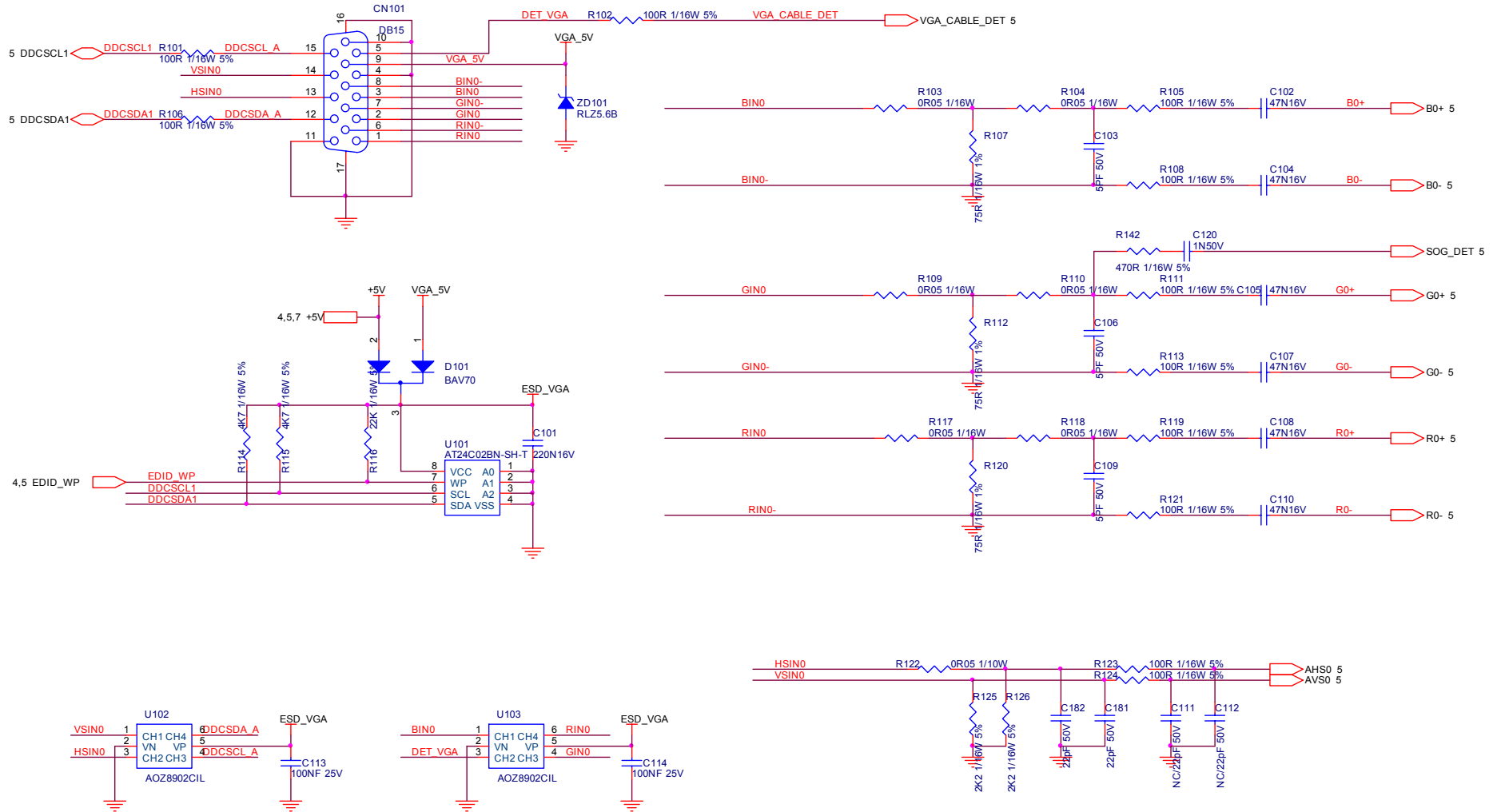


6. Schematic

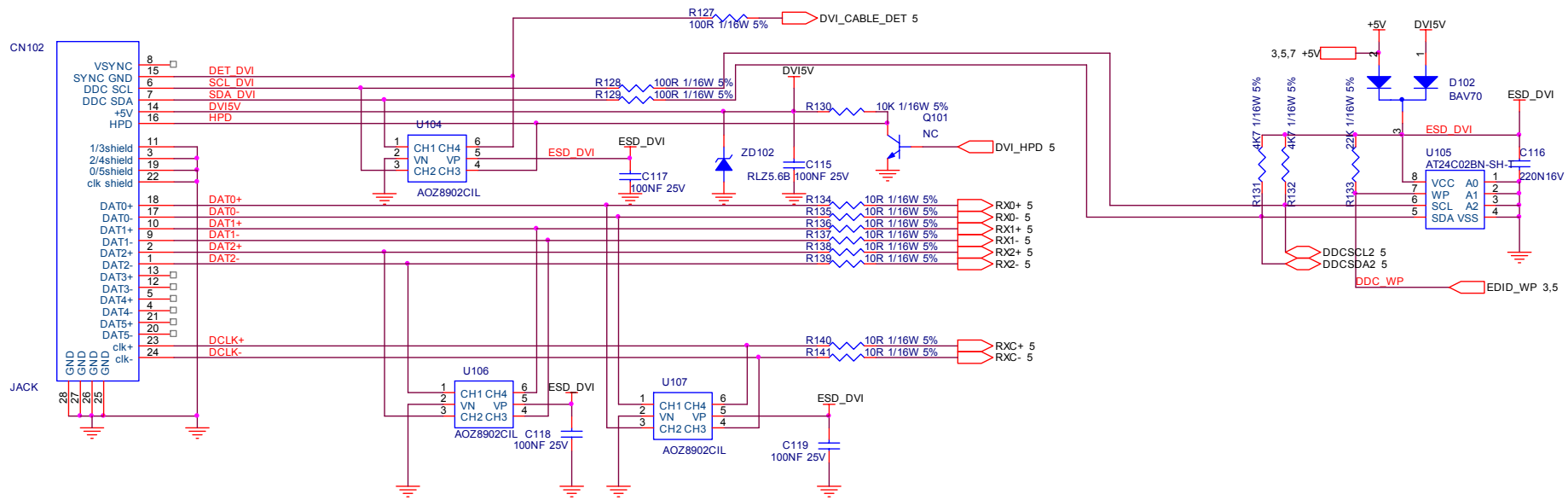
6.1 Main Board

2341Va

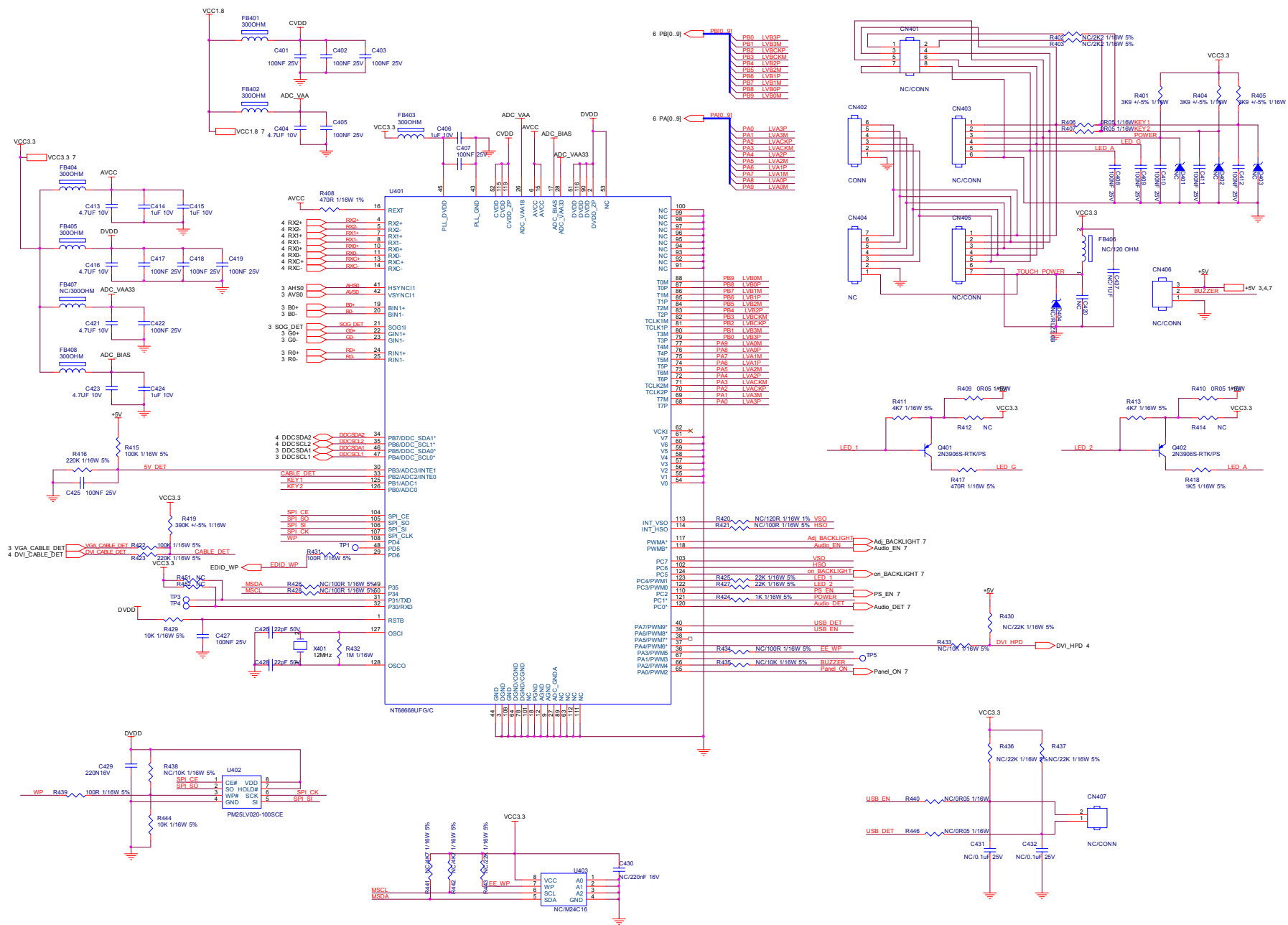
715G3737M0100004K



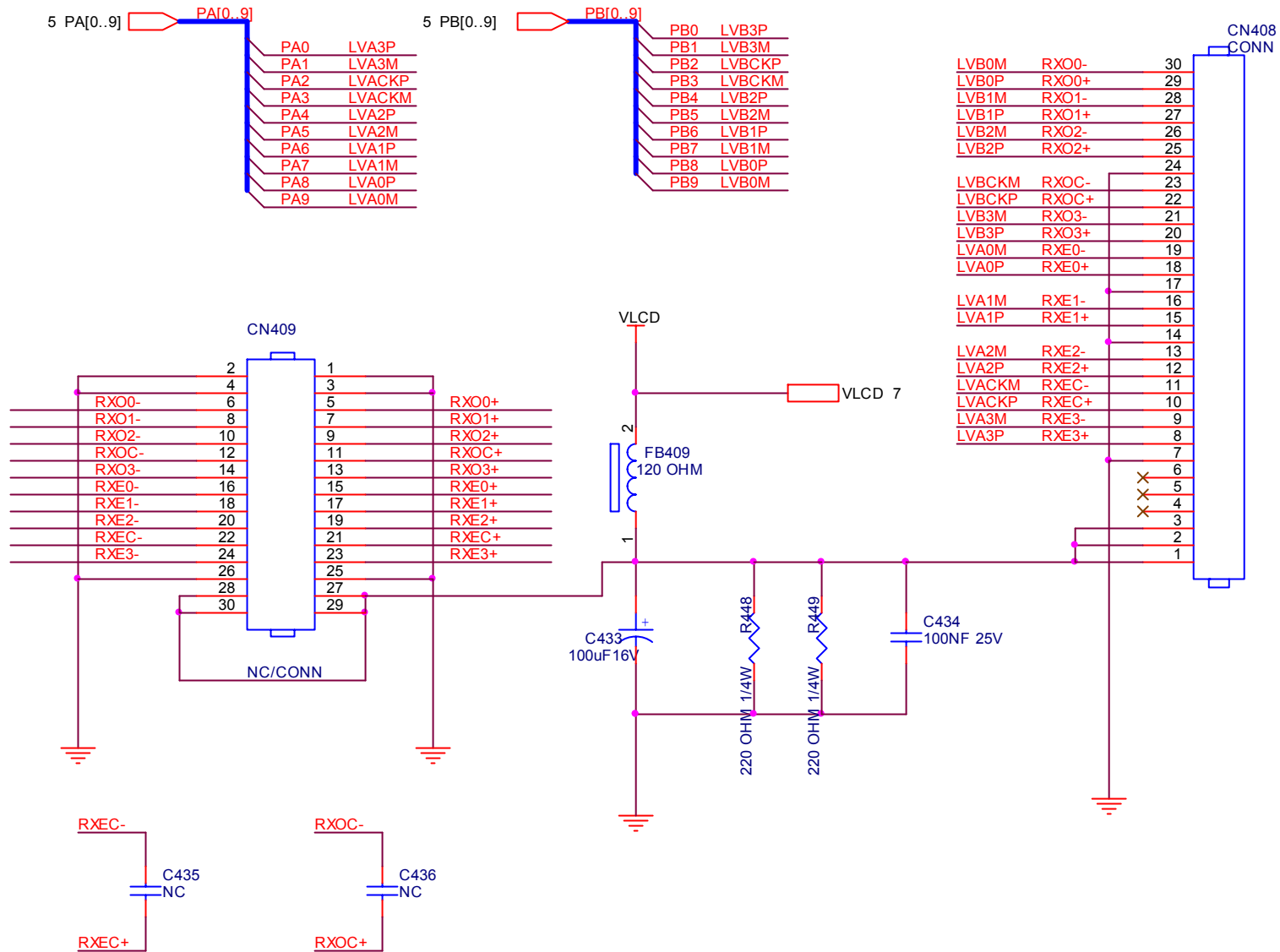
TPV (Top Victory Electronics Co., Ltd.)	OEM MODEL	Size	B
結構瓜網版 G3737-MOD-000-0H4K-1-100220	TPV MODEL	Rev	B
Key Component D-SUB I/O	PCB NAME 715G3737-C-HF	稱號	<稱號>
Date Saturday, February 20, 2010	Sheet 3 of 7		



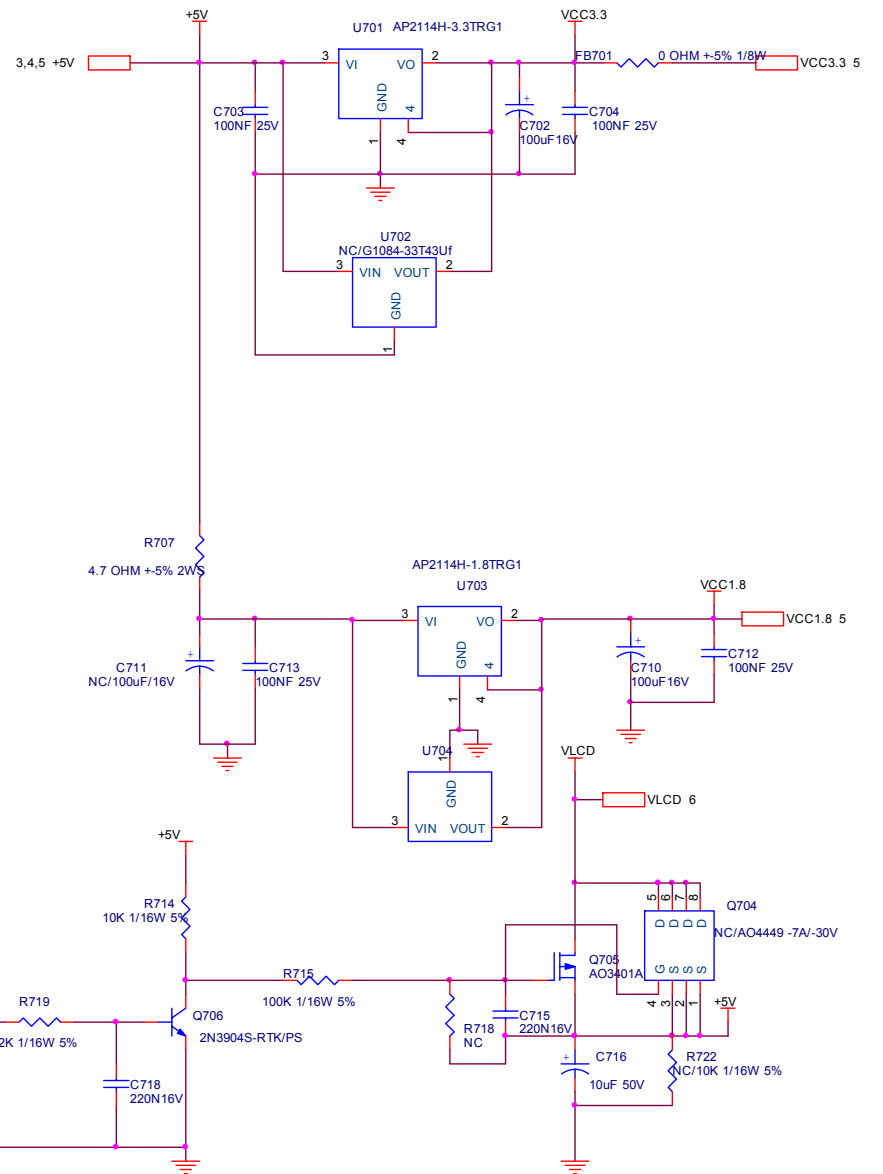
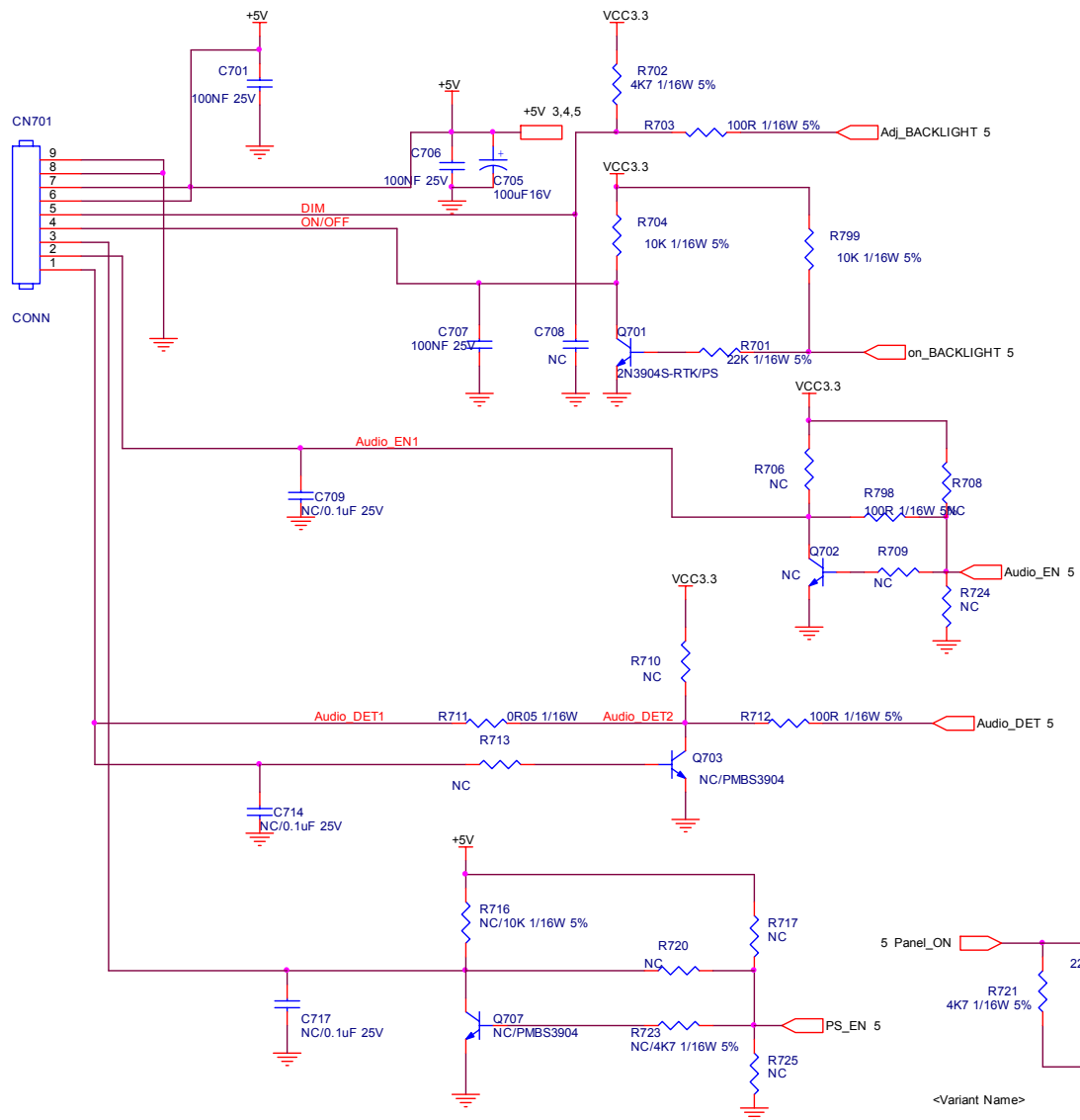
TPV (Top Victory Electronics Co., Ltd.)	OEM MODEL		Size	B
錫隔瓜銅殼	G3737-MOD-000-0H4K-1-100220	TPV MODEL	Rev	B
Key Component	DVI	PCB NAME	715G3737-C-HF	稱簽 <稱簽>
Date	Saturday, February 20, 2010	Sheet	4 of 7	



T P V (Top Victory Electronics Co., Ltd.)	OEM MODEL	Size	C
前置前置	G3737-MOD-000-0H4K-1-100220	TPV MODEL	Rev B
Key Component	SCALER	PCB NAME	715G3737-C-HF
Date	Saturday, February 20, 2010	Sheet	5 of 7



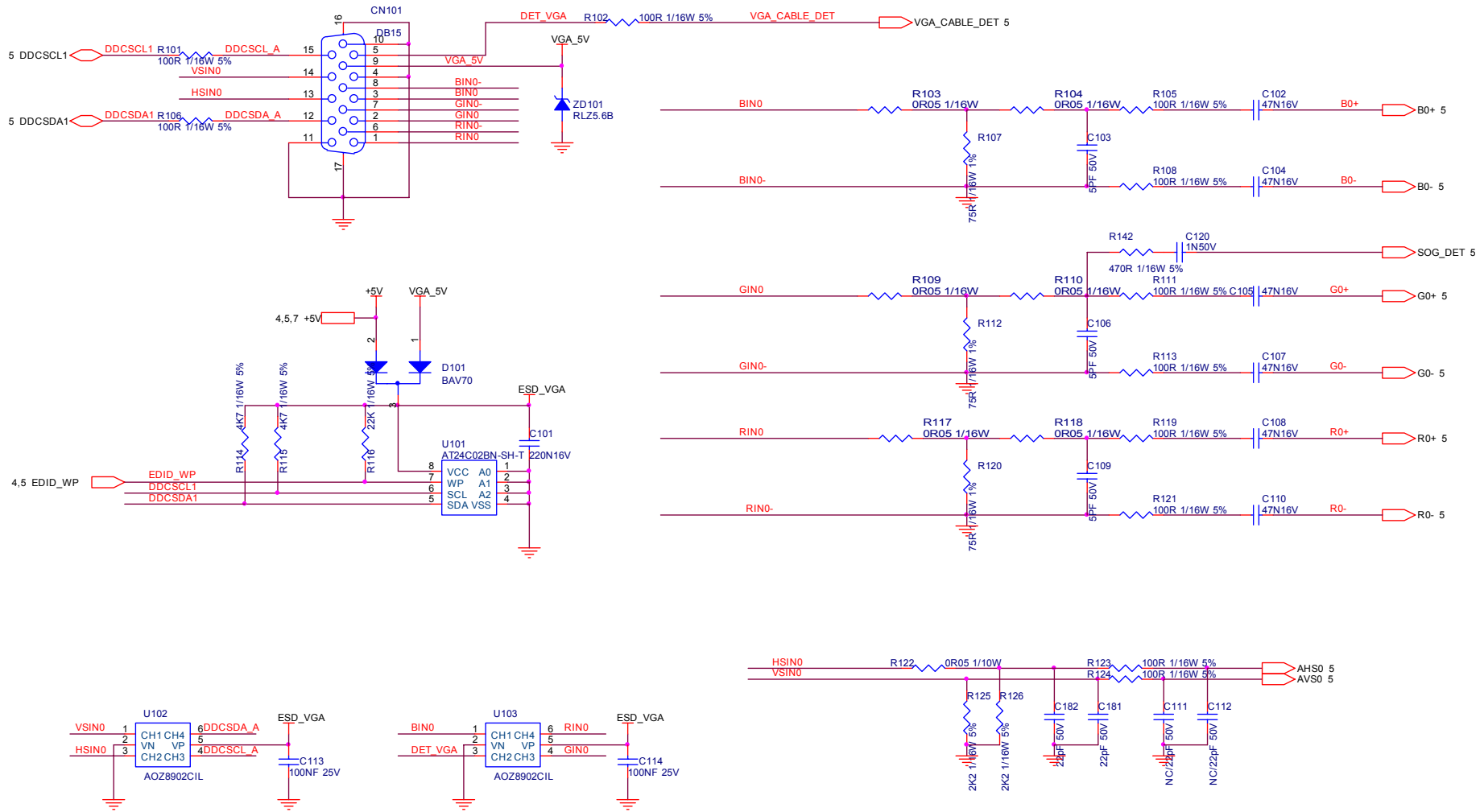
TPV (Top Victory Electronics Co., Ltd.)	OEM MODEL		Size	A
紙隔瓜網腹	G3737-M0D-000-0H4K-1-100220	TPV MODEL	Rev	B
Key Component	LVDS PANEL I/O	PCB NAME	715G3737-C-HF	称爹 <称爹>
Date	Saturday, February 20, 2010	Sheet	6 of 7	



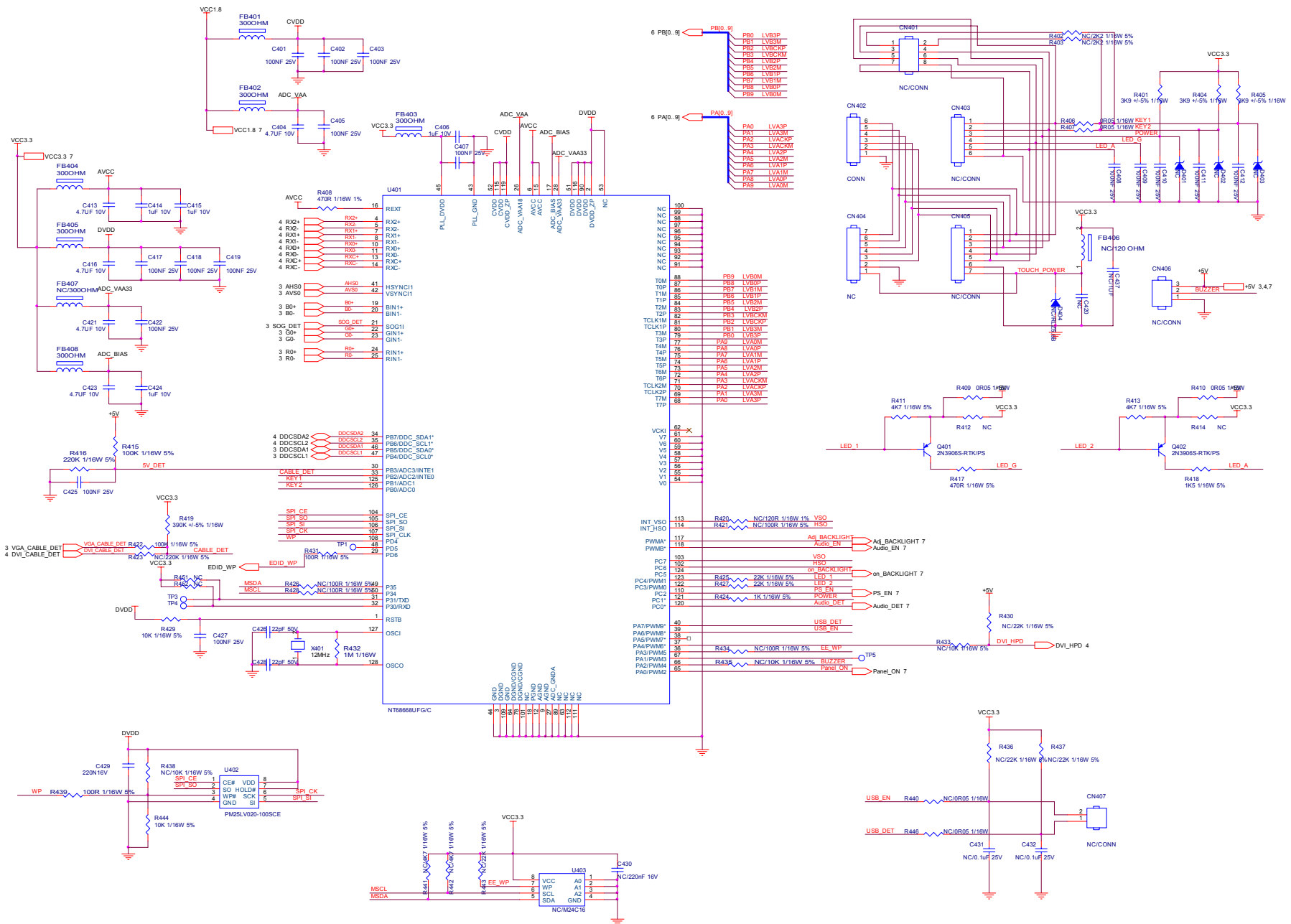
<Variant Name>

TPV (Top Victory Electronics Co., Ltd.)	OEM MODEL		Size	B
錫爾瓜錫殼	G3737-MOD-000-0H4K-1-100220	TPV MODEL	Rev	A
Key Component	POWER	PCB NAME	715G3737-C-HF	称爹
Date	Saturday, February 20, 2010	Sheet	7 of 7	<称爹>

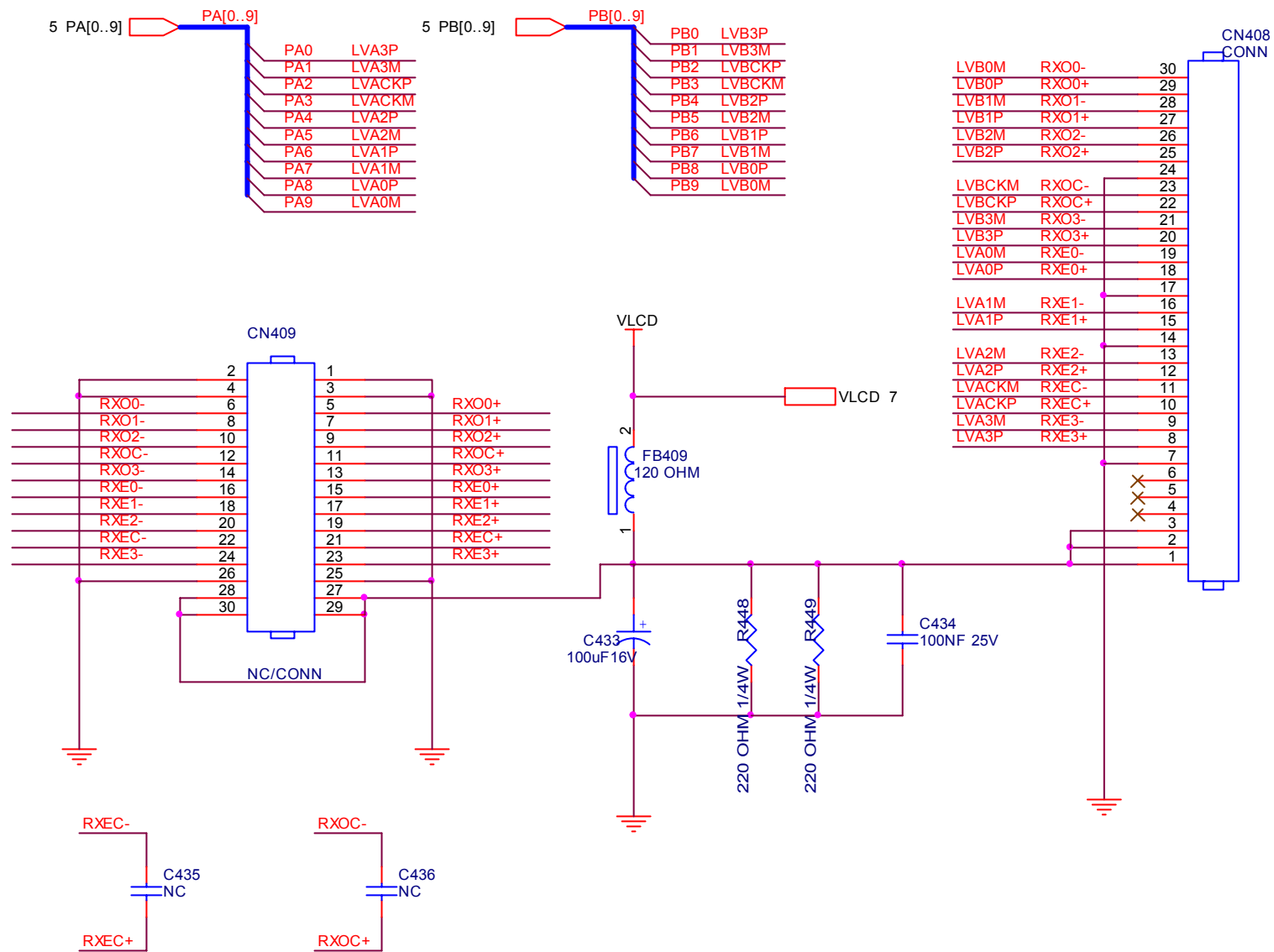
2341Sa & 2341Vg 715G3737M0200004L & 715G3737M0200004S



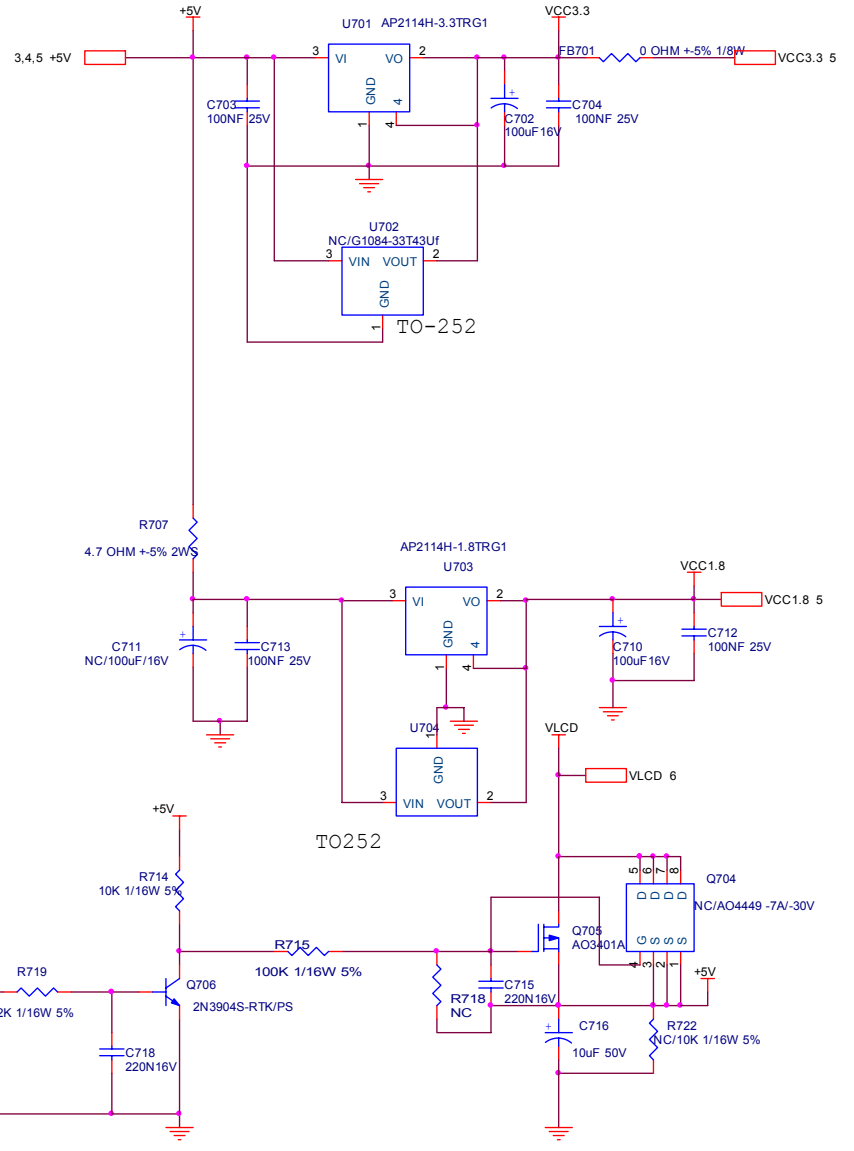
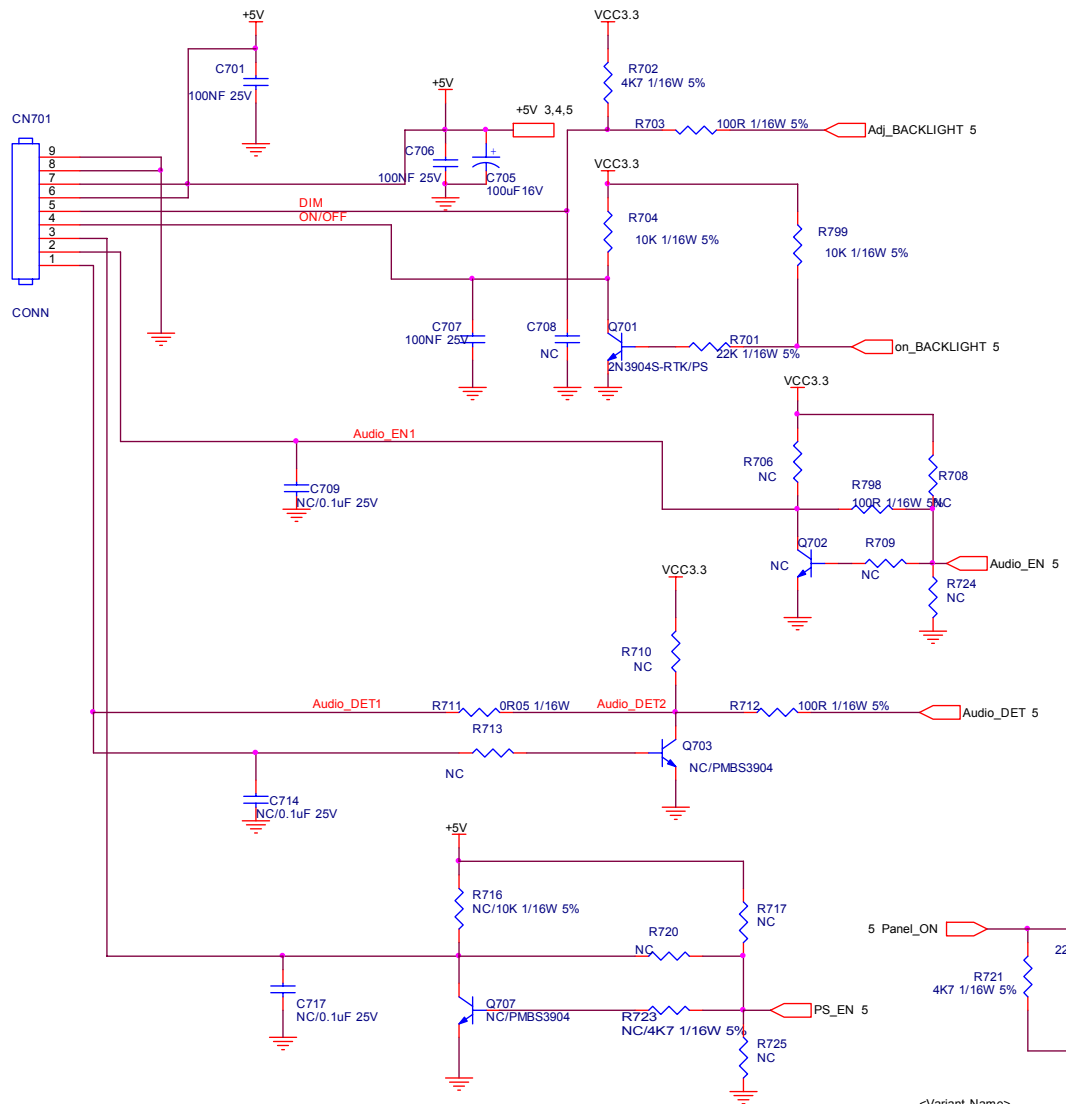
TPV (Top Victory Electronics Co., Ltd.)	OEM MODEL	Size	B
絲隔瓜網廠 G3737-MOD-000-0H4K-1-100220	TPV MODEL	Rev	B
Key Component D-SUB I/O	PCB NAME 715G3737-C-HF	修簽	<修簽>
Date Saturday, February 20, 2010	Sheet 1 of 5		



T P V (Top Victory Electronics Co., Ltd.)	OEM MODEL	Size	C
若爾瓦爾	G3737-MDD-000-044K-1-100220	TPV MODEL	
Key Component	SCALER	PCB NAME	715G3737-C-HF
Date	Tuesday, March 02, 2010	Sheet	3 of 5



TPV (Top Victory Electronics Co., Ltd.)	OEM MODEL	Size	A
結構瓜網腹 G3737-M0D-000-0H4K-1-100220	TPV MODEL	Rev	B
Key Component LVDS PANEL I/O	PCB NAME 715G3737-C-HF	稱爹	<稱爹>
Date Saturday, February 20, 2010	Sheet 4 of 5		

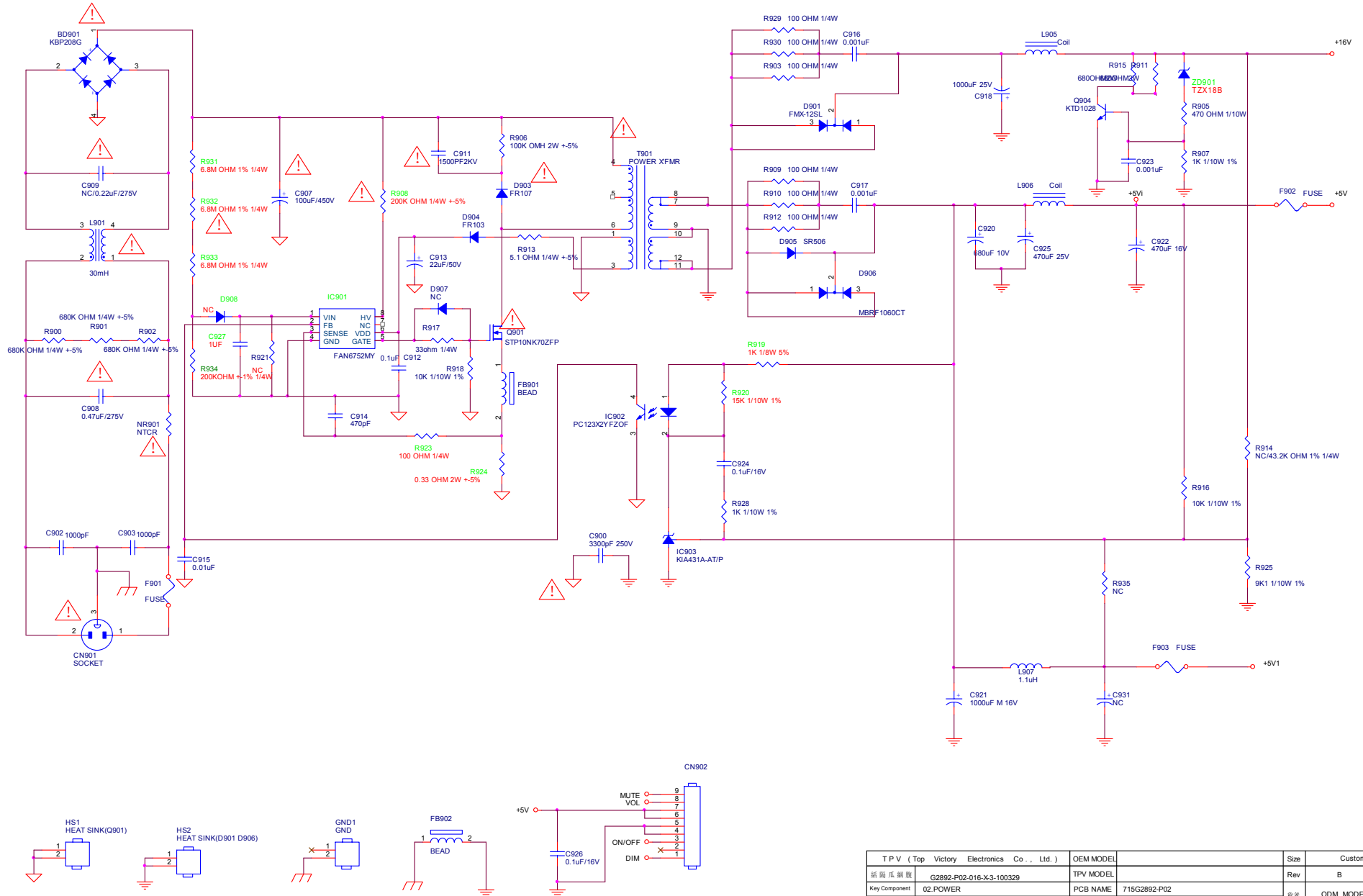


<Variant Name>

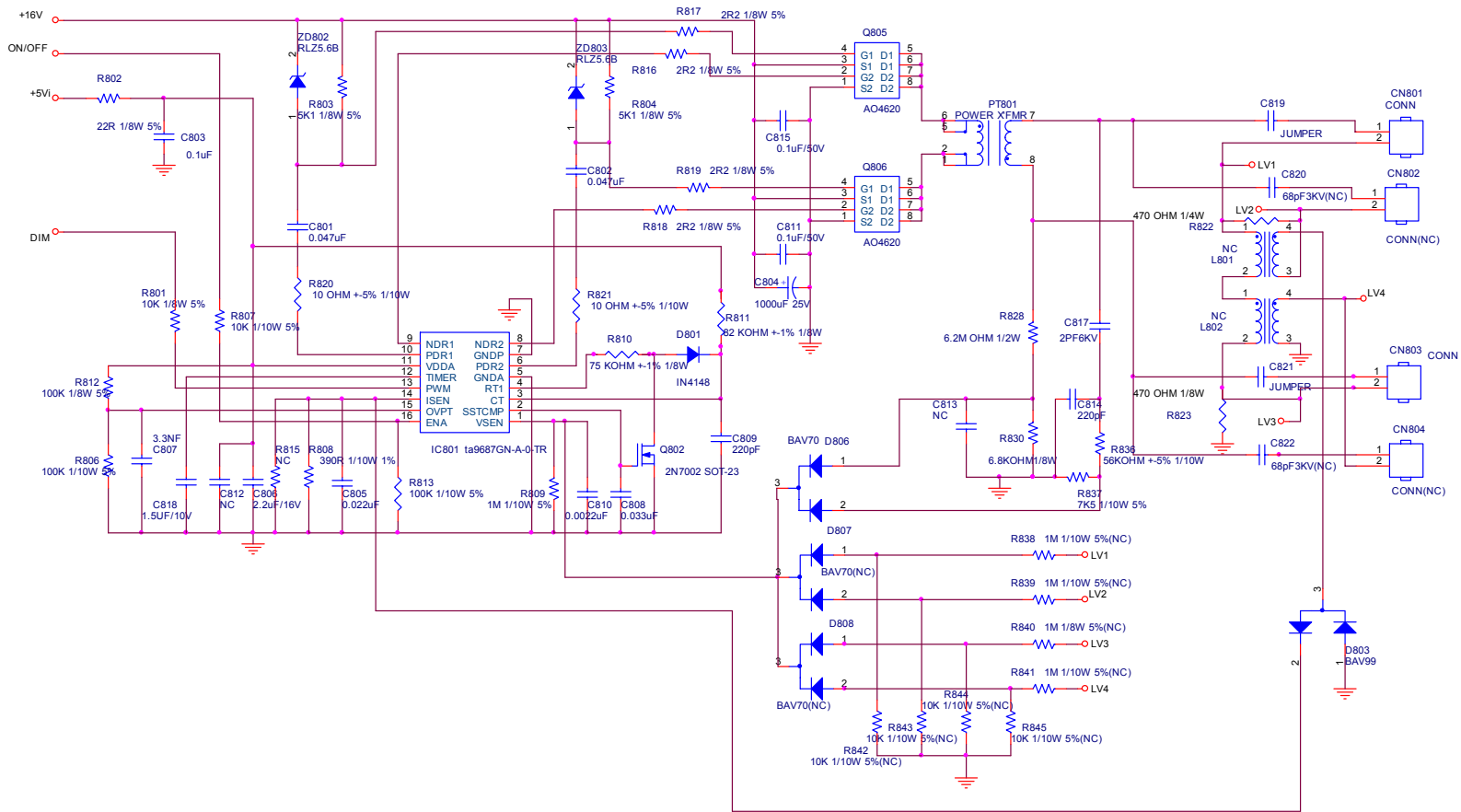


TPV (Top Victory Electronics Co., Ltd.)	OEM MODEL		Size	B
蘇 隔 瓜 網 膜	G3737-M0D-000-0H4K-1-100220	TPV MODEL	Rev	A
Key Component	POWER	PCB NAME	715G3737-C-HF	称 号
Date	Tuesday, July 13, 2010	Sheet	5 of 5	<称 号>

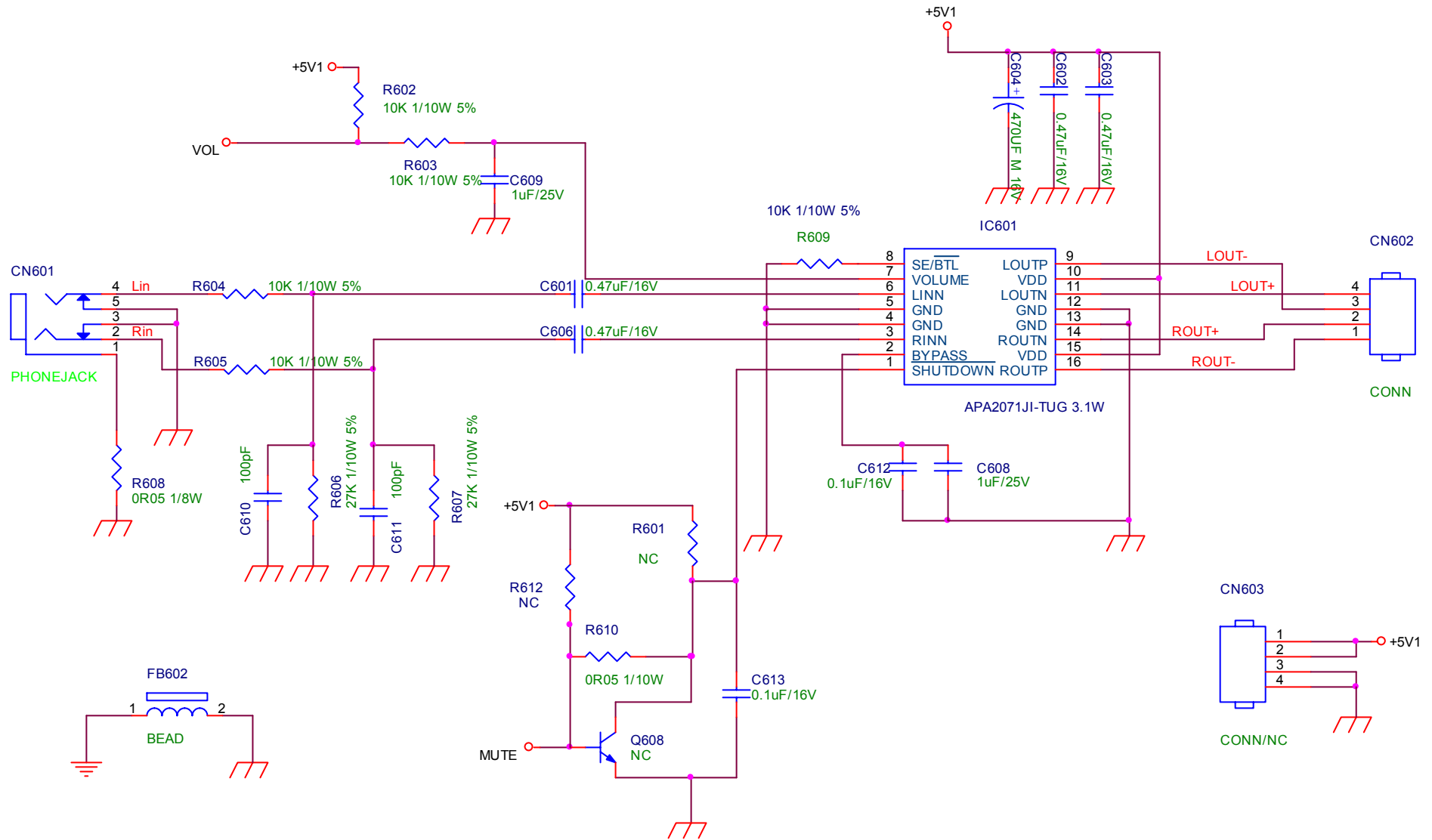
6.2 Power Board 715G2892P02016001S



TPV (Top Victory Electronics Co., Ltd.)	OEM MODEL	Size	Custom
話筒瓦爾康	G2892-P02-016-X-3-100329	Rev	B
Key Component	02.POWER	PCB NAME	715G2892-P02
Date	Monday, March 29, 2010	Sheet	of
		稱號	ODM MODEL

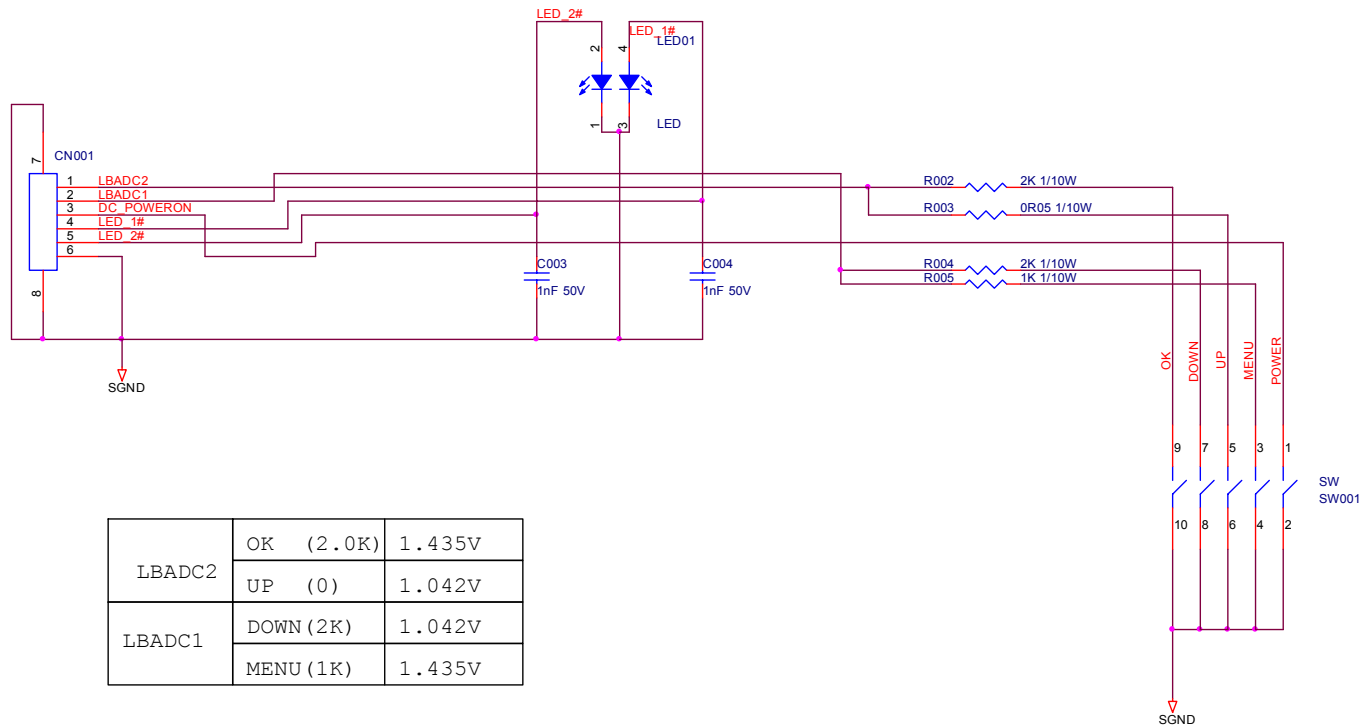


TPV (Top Victory Electronics Co., Ltd.)	OEM MODEL	Size	A3
蘇爾瓜 蘇爾	G2892-P02-016-X3-100329	Rev	B
Key Component	02_POWER	PCB NAME	715G2892-P02
Date	Tuesday, March 30, 2010	Sheet	of 參 參 ODM MODEL



TPV (Top Victory Electronics Co., Ltd.)	OEM MODEL		Size	A
結隔瓜網腹	G2892-P1A-016-X-3-091207	TPV MODEL	Rev	E
Key Component	04.AUDIO	PCB NAME	715G2892-E-4	称爹
Date	Monday, March 29, 2010	Sheet	of	ODM MODEL

6.3 Key Board 715G4007K01000004F



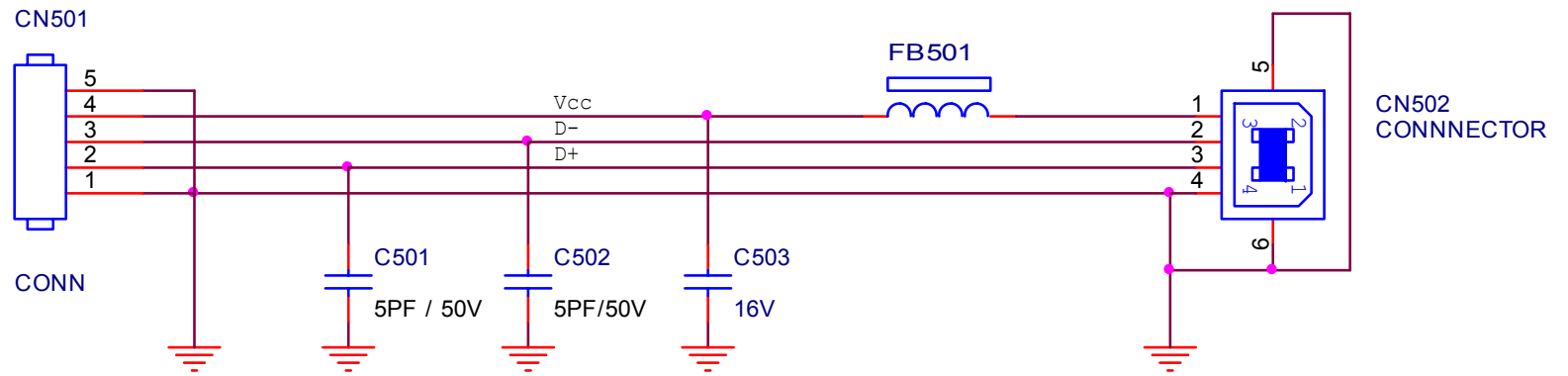
LBADC2	OK (2.0K)	1.435V
	UP (0)	1.042V
LBADC1	DOWN (2K)	1.042V
	MENU (1K)	1.435V



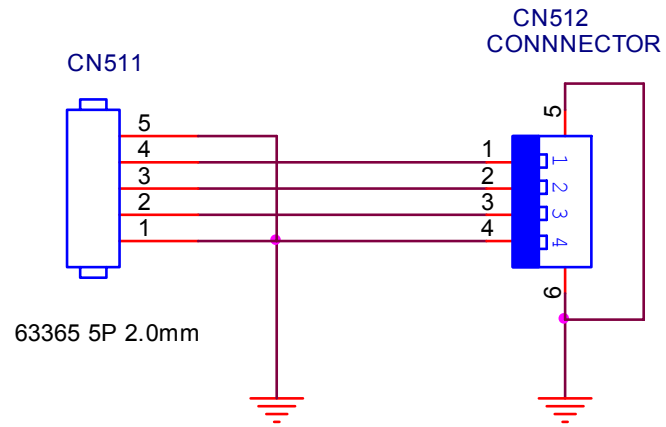
CONNECTOR (OK) (DOWN) (UP) (MENU) LED (Power)

TPV (Top Victory Electronics Co., Ltd.)	OEM MODEL		Size	B
括隔瓜御腹	G4007-K0B-X-X-1-091215	TPV MODEL	Rev	B
Key Component	2.0.key	PCB NAME	715G4007K0B000004F/S	称爹
Date	Wednesday, December 16, 2009	Sheet	2 of 2	<称爹>

6.4 USB Board
715G3501 2



T P V (Top Victory Electronics Co . , Ltd.)		OEM MODEL		Size	A4
結隔瓜網腹	G3501-A-X-X-1-090113	TPV MODEL		Rev	A
Key Component	USB PLUG(UP STREAM)	PCB NAME	715G3501-2	称爹	
Date	Tuesday, January 13, 2009	Sheet	1 of 1		



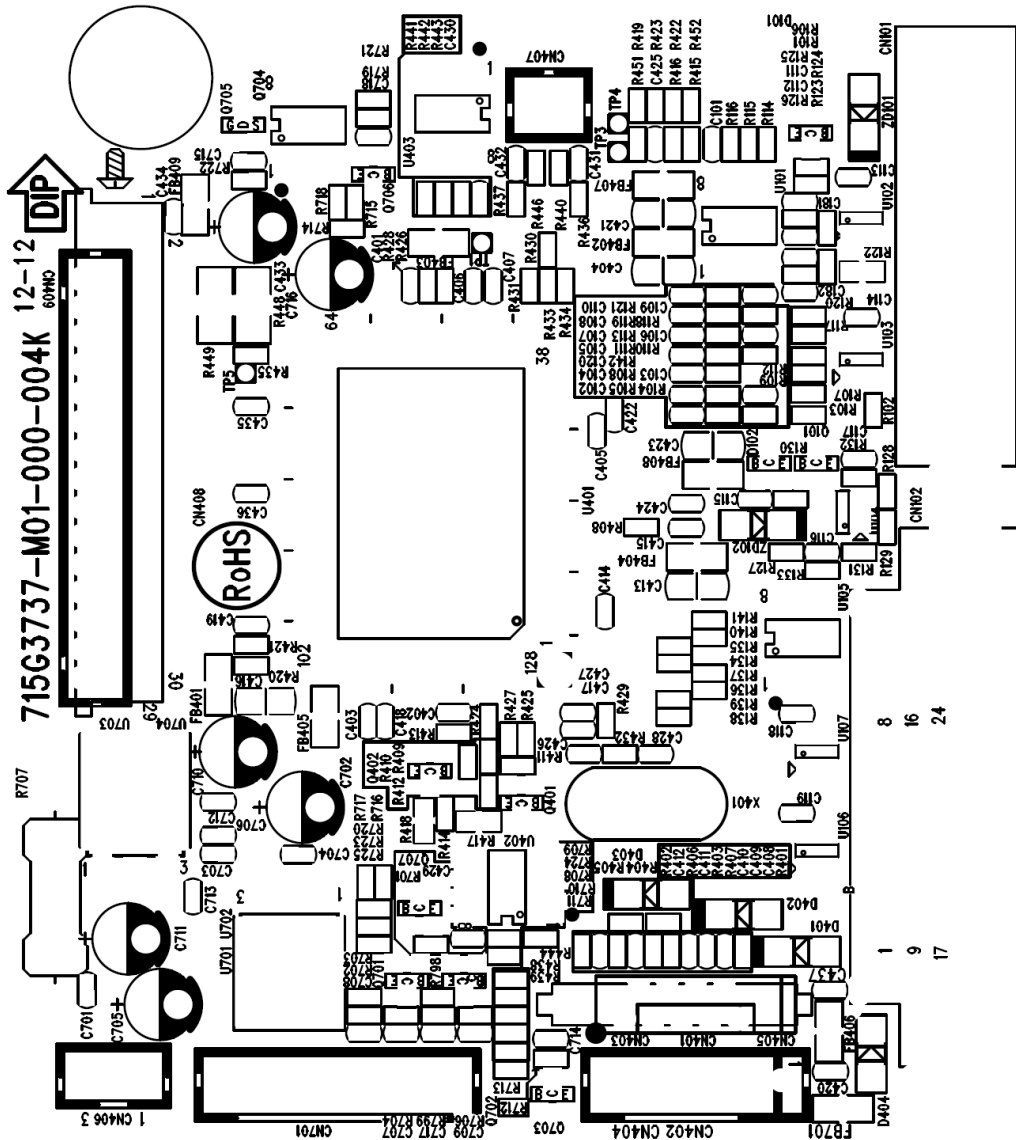
T P V (Top Victory Electronics Co . , Ltd.)		OEM MODEL		Size	A4
結構瓜網腹	G2663-2-X-1-081024	TPV MODEL		Rev	D
Key Component	USB PLUG(DOWN STREAM)	PCB NAME	715G2663-2	称爹	
Date	Friday, October 24, 2008	Sheet	1 of 1		

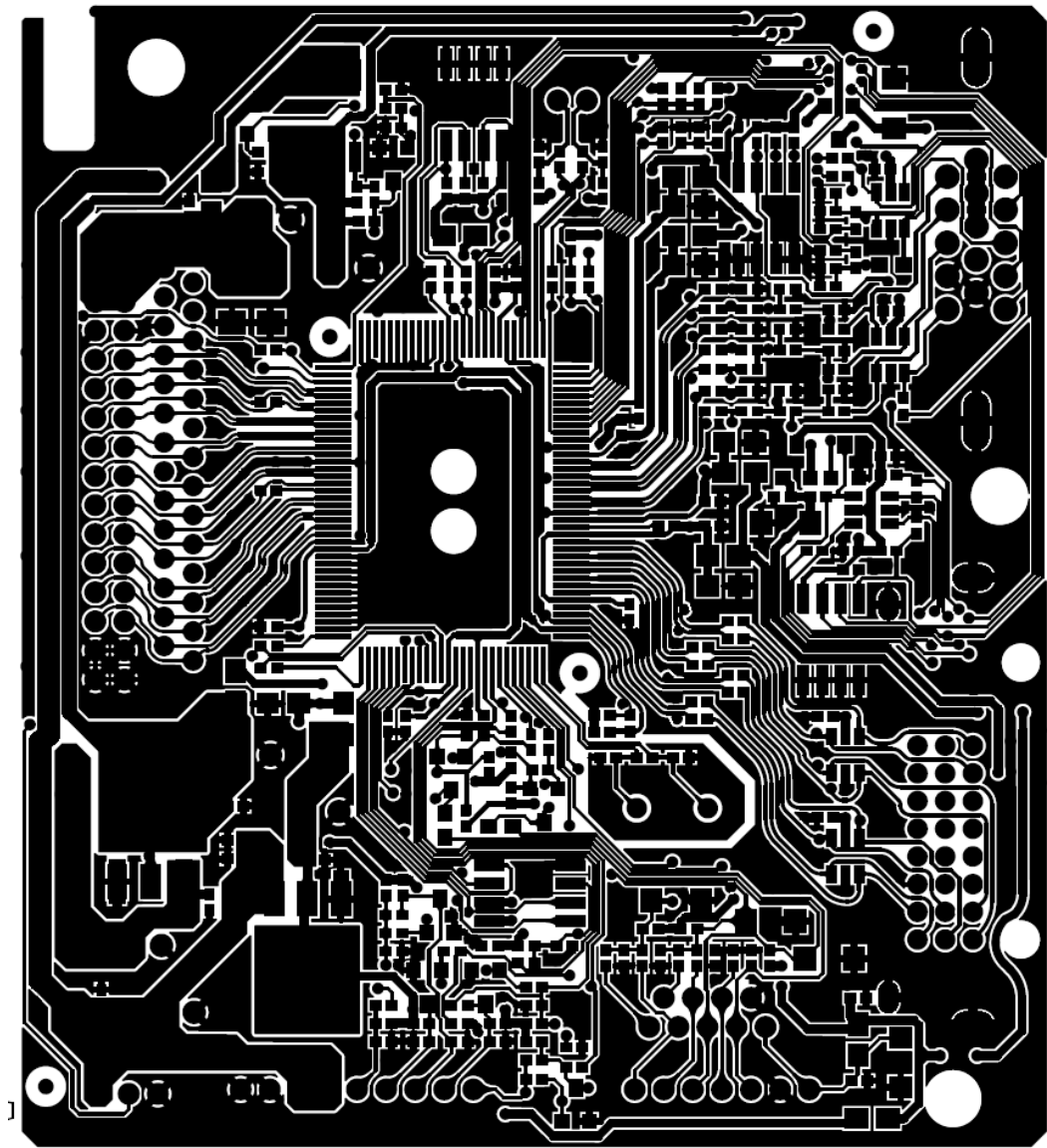
7. PCB Layout

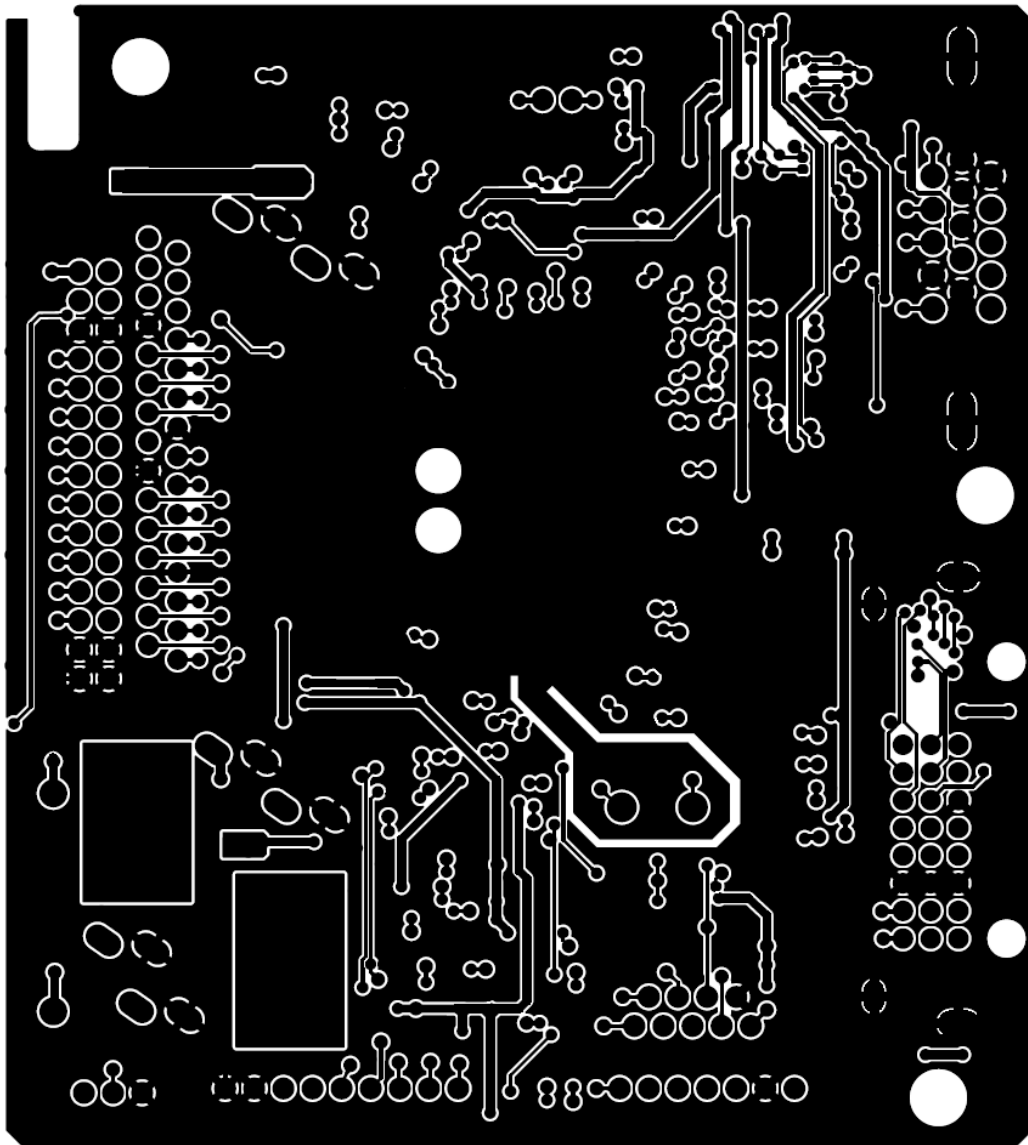
7.1 Main Board

2341Va

715G3737M0100004K

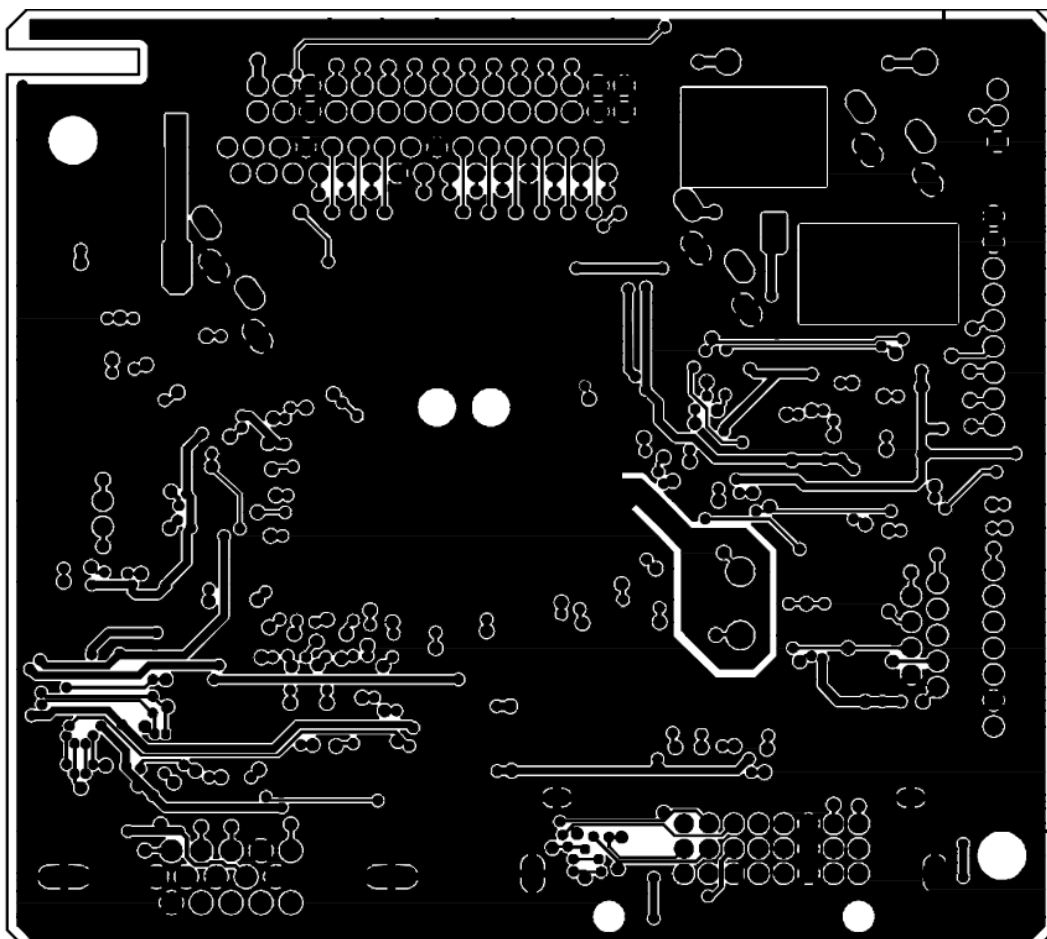
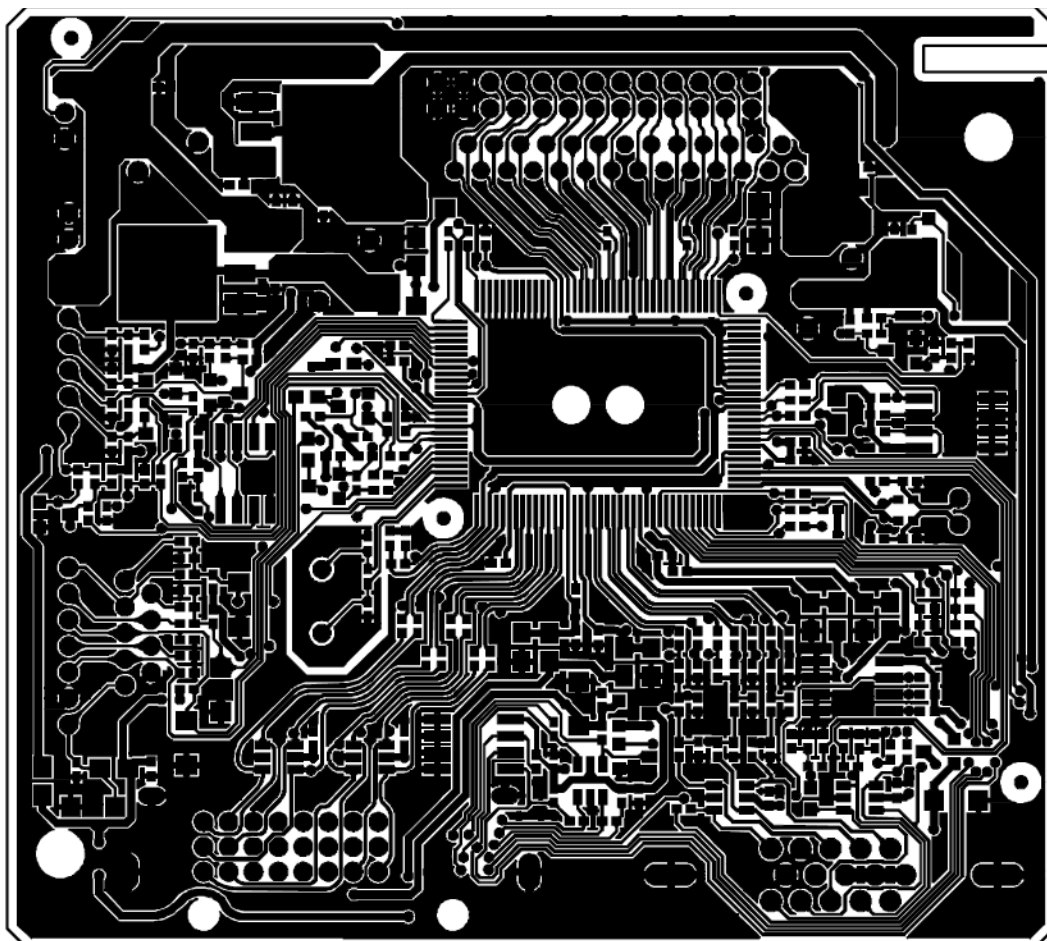


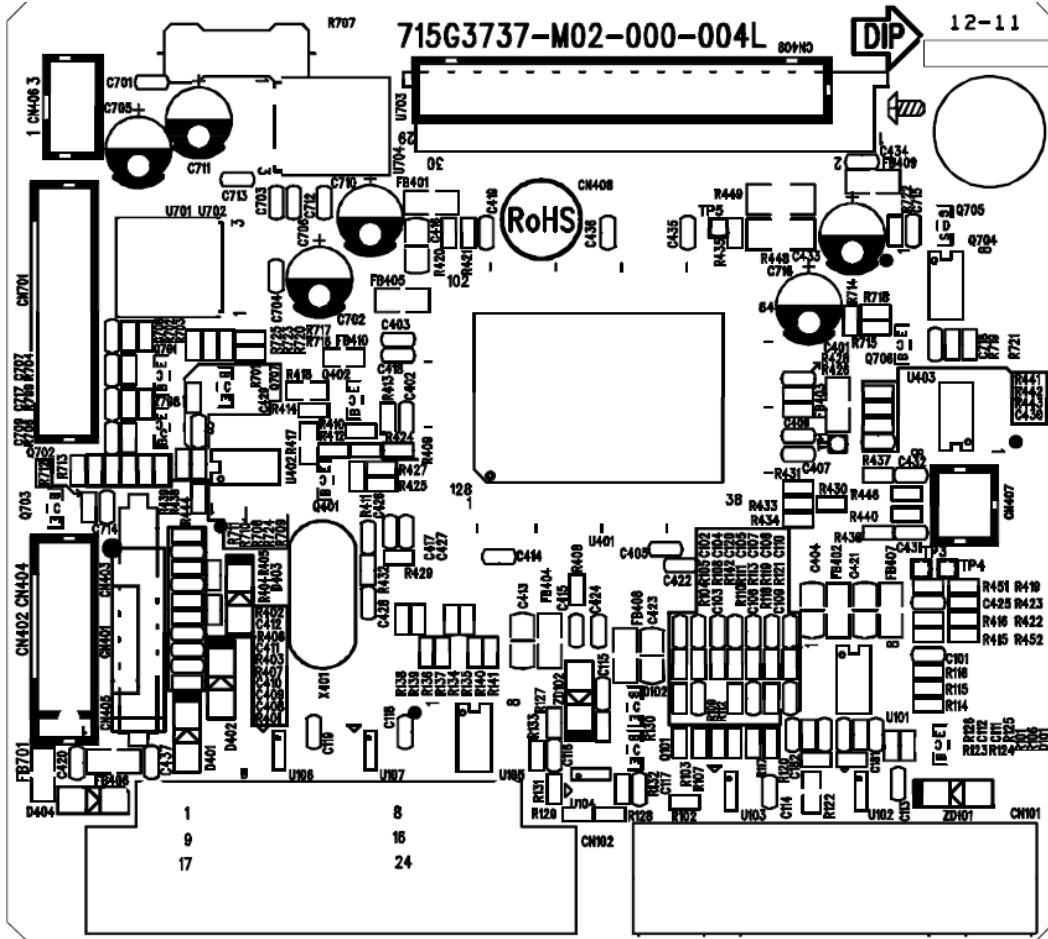




2341Sa

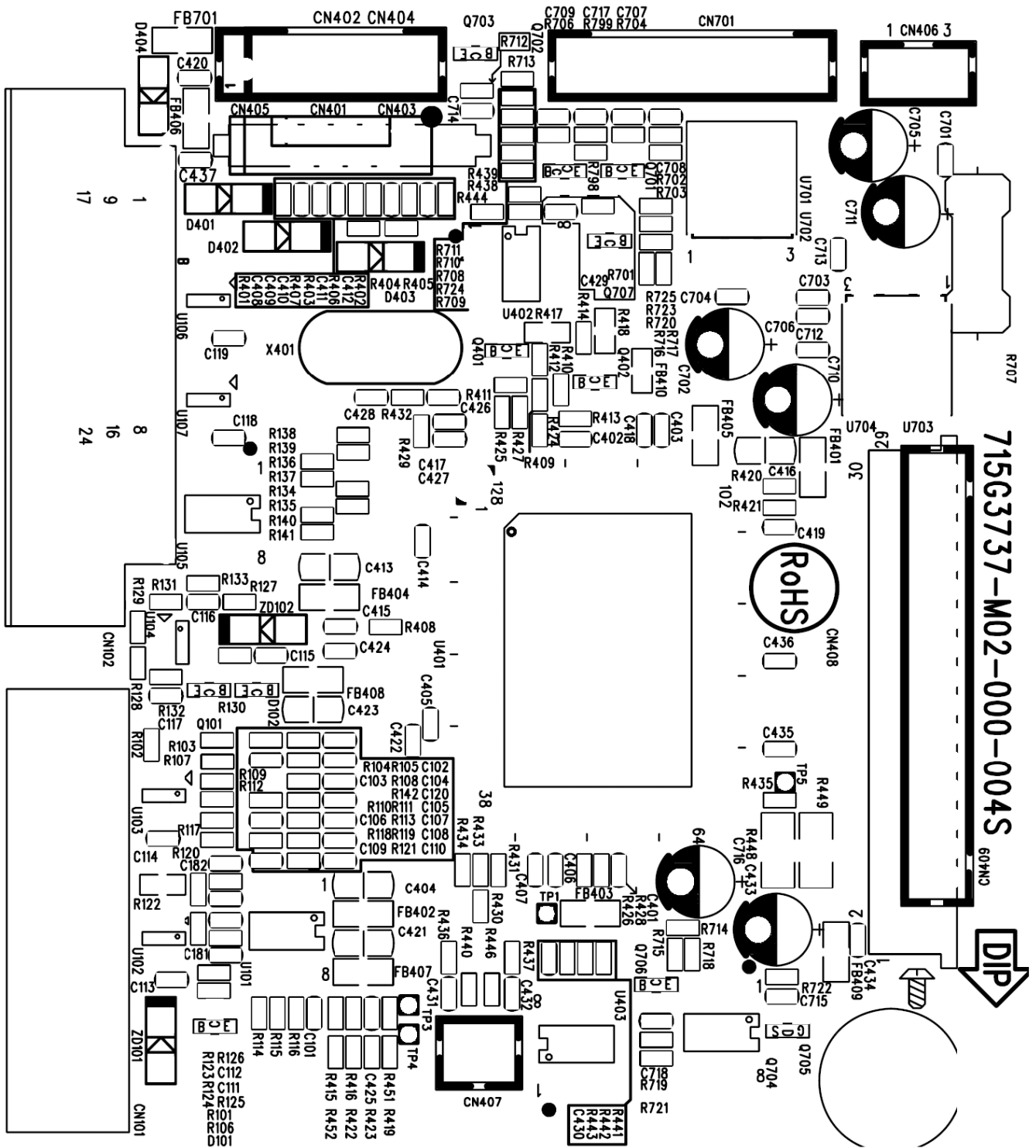
715G3737M0200004L



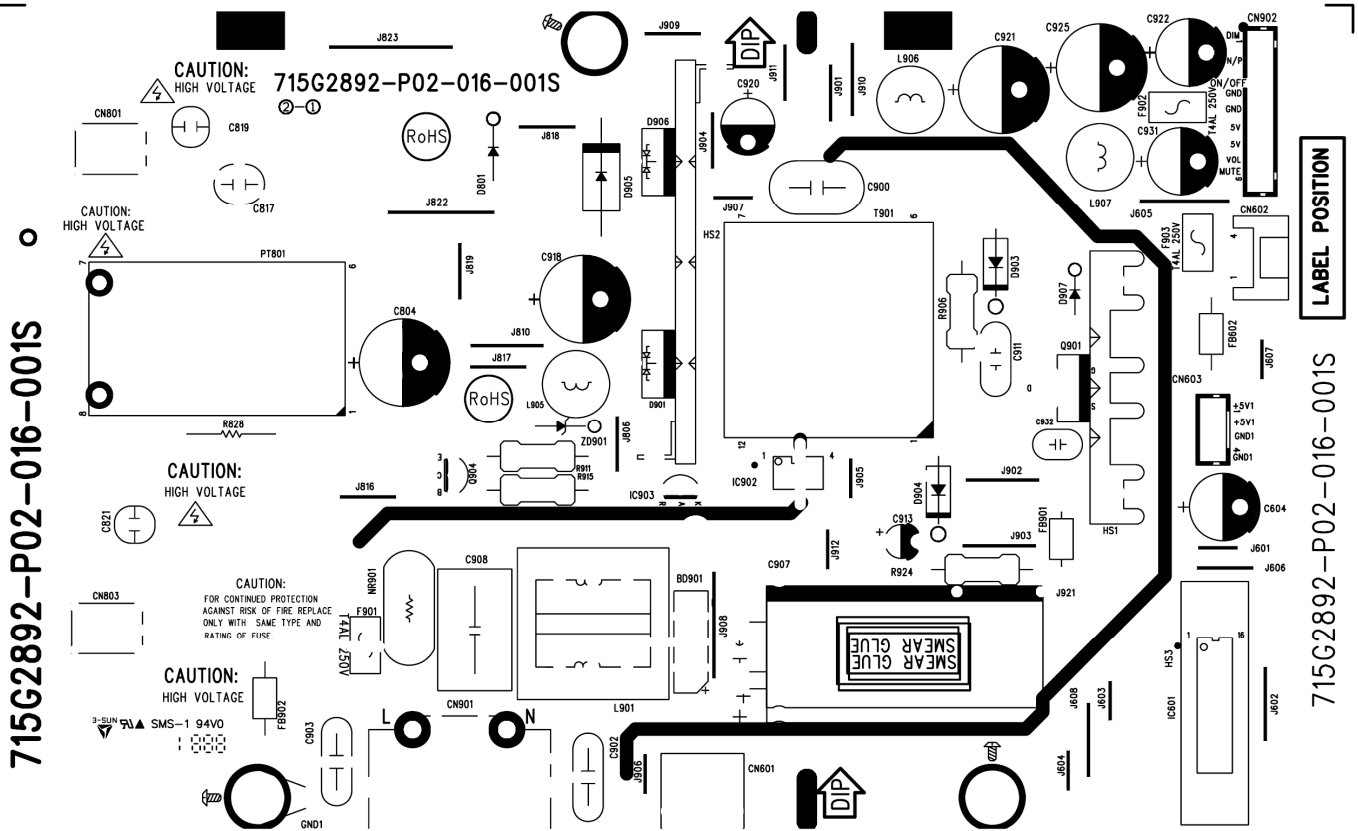


2341V g

715G3737M0200004S



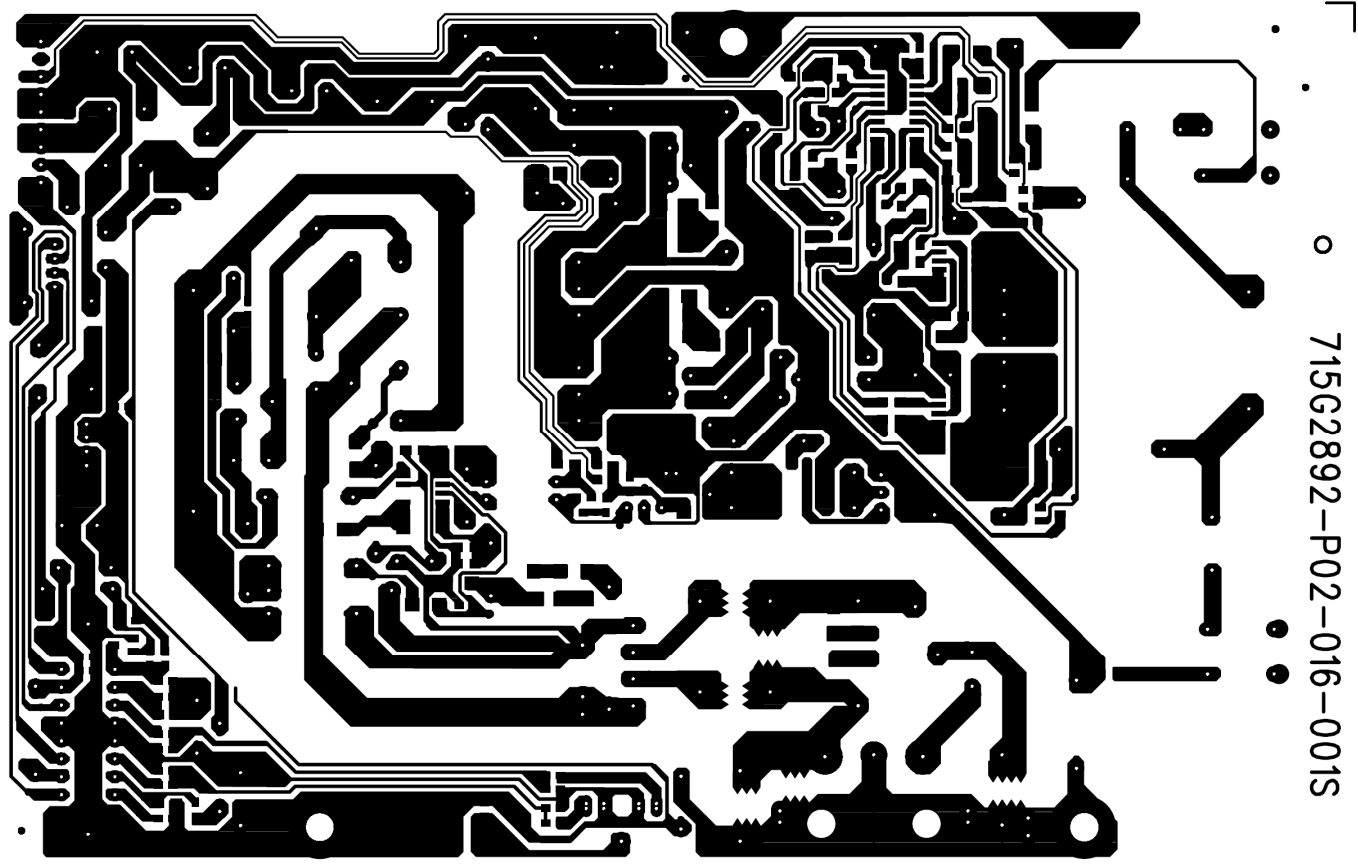
7.2 Power Board 715G2892P02016001S



715G2892-P02-016-001S

LABEL POSITION

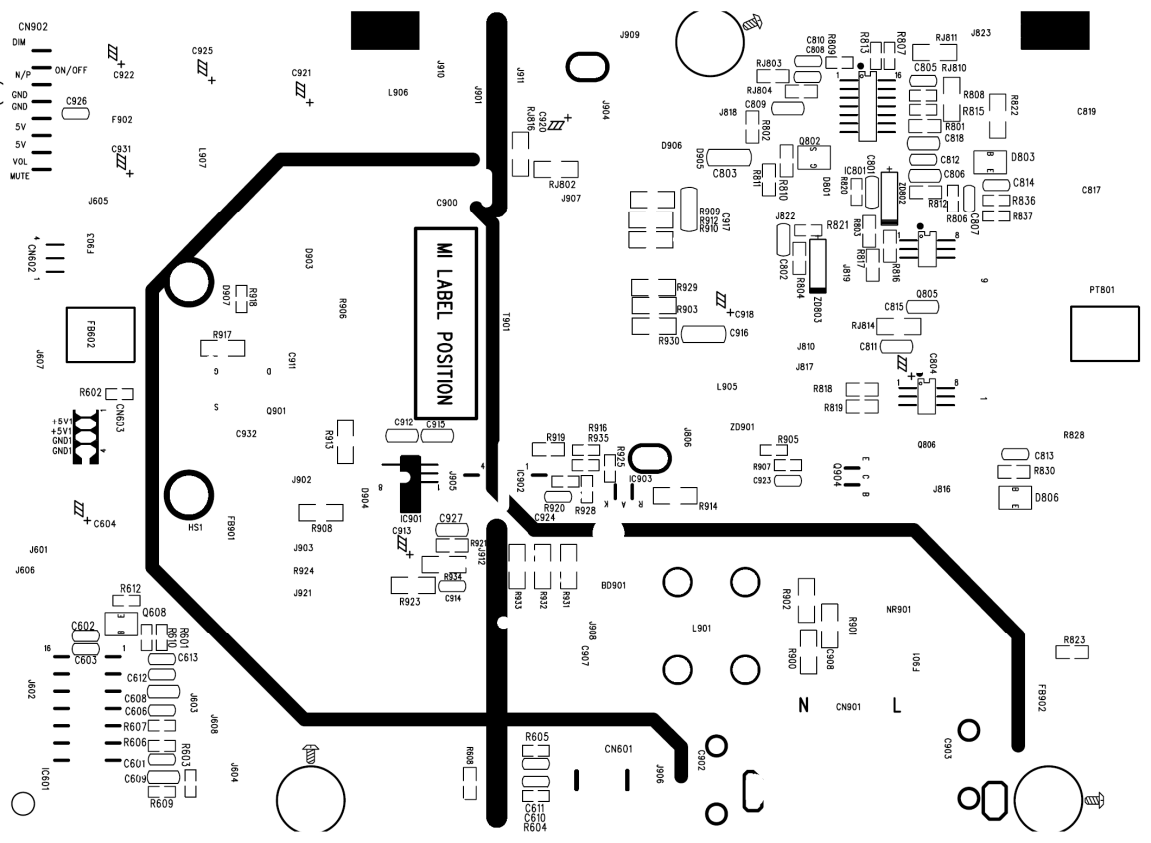
715G2892-P02-016-001S



715G2892-P02-016-001S

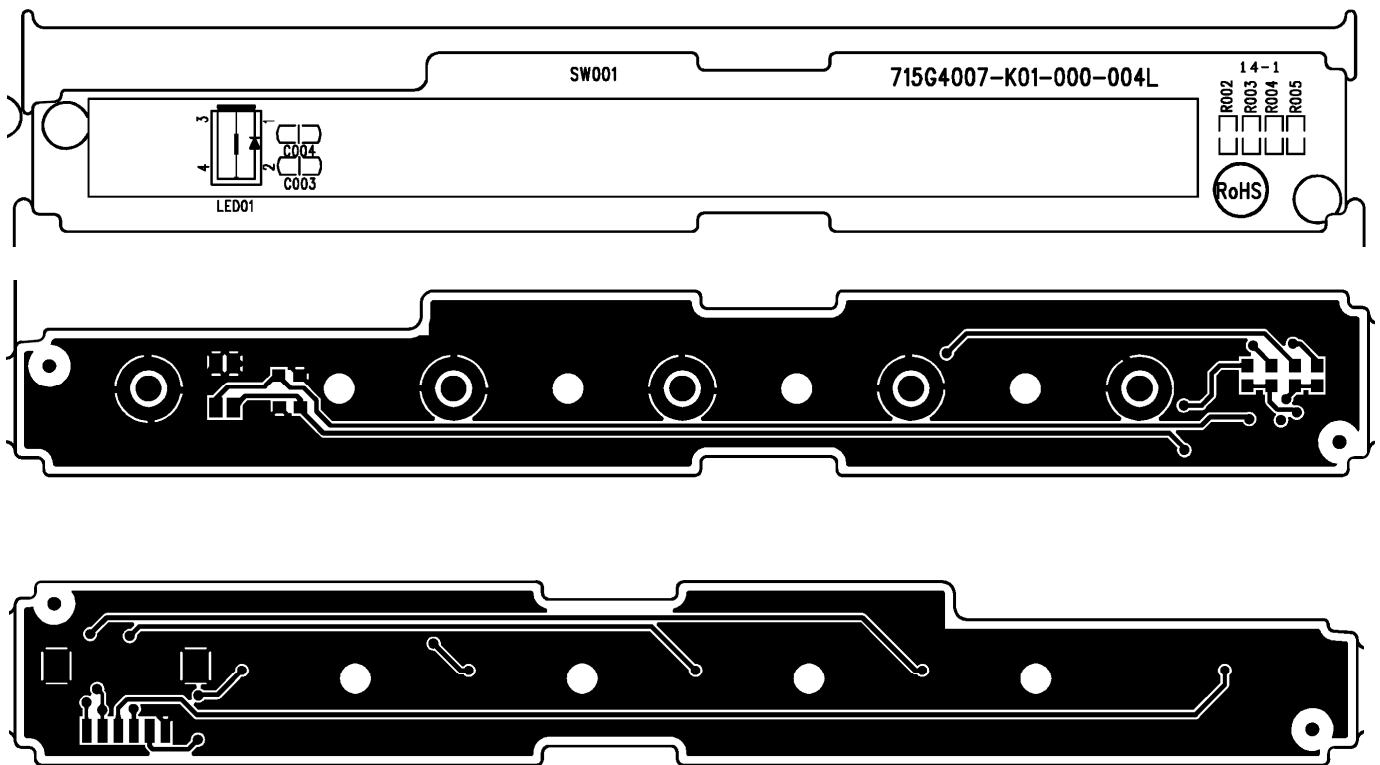
715G2892-P02-016-001S

CN801 7 8 CN803



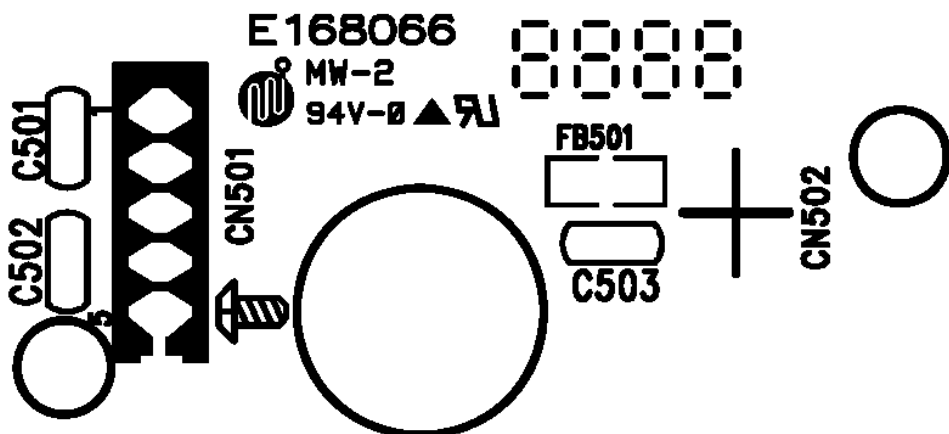
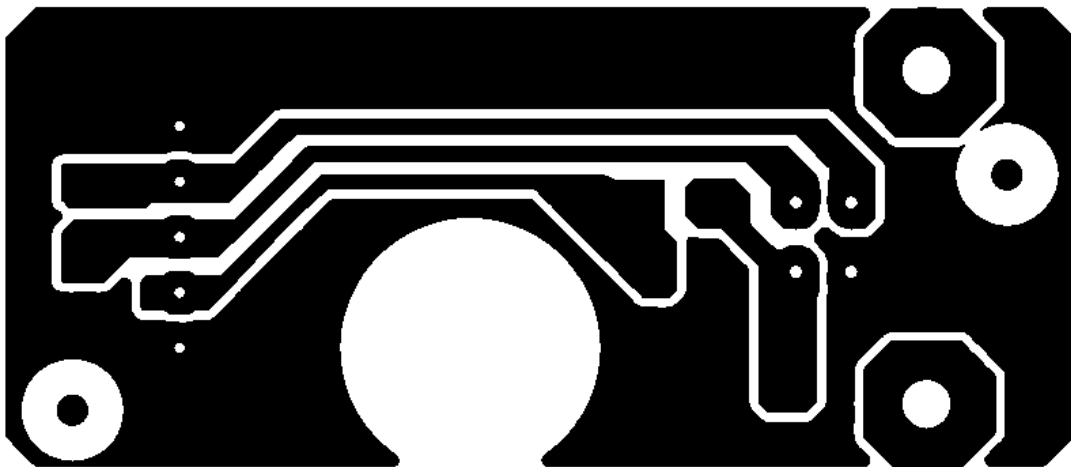
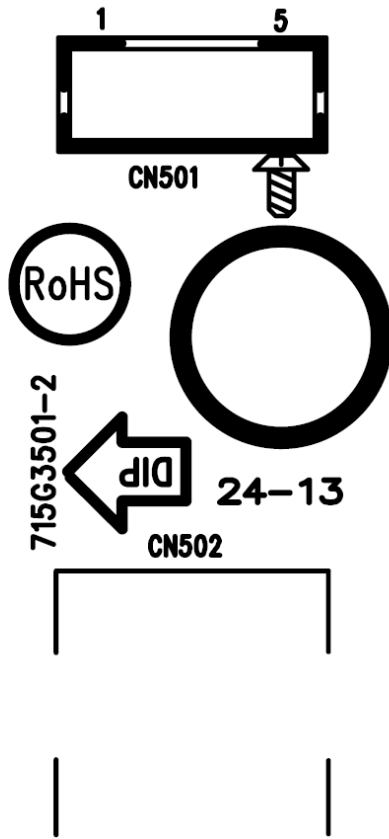
7.3 Key Board

715G4007K01000004F

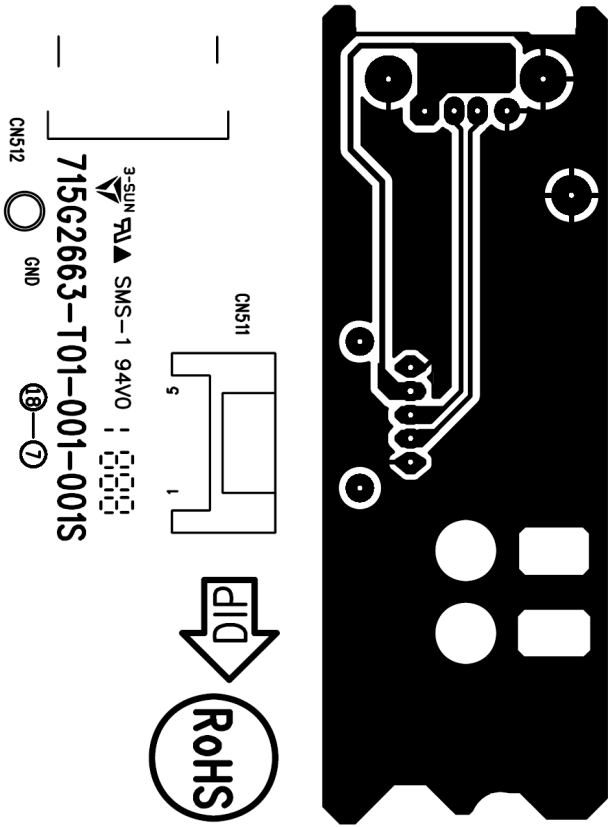


7.4 USB Board

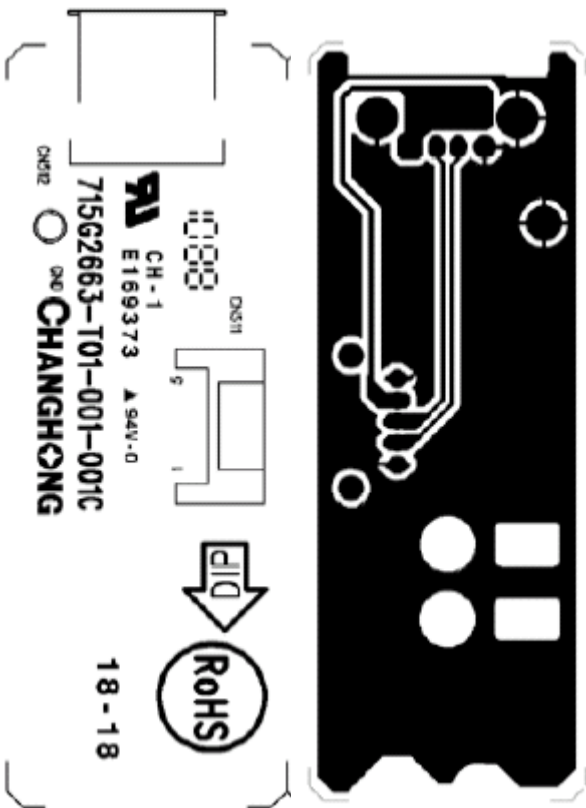
715G3501 2



715G2663T01001001S



715G2663T01001001C



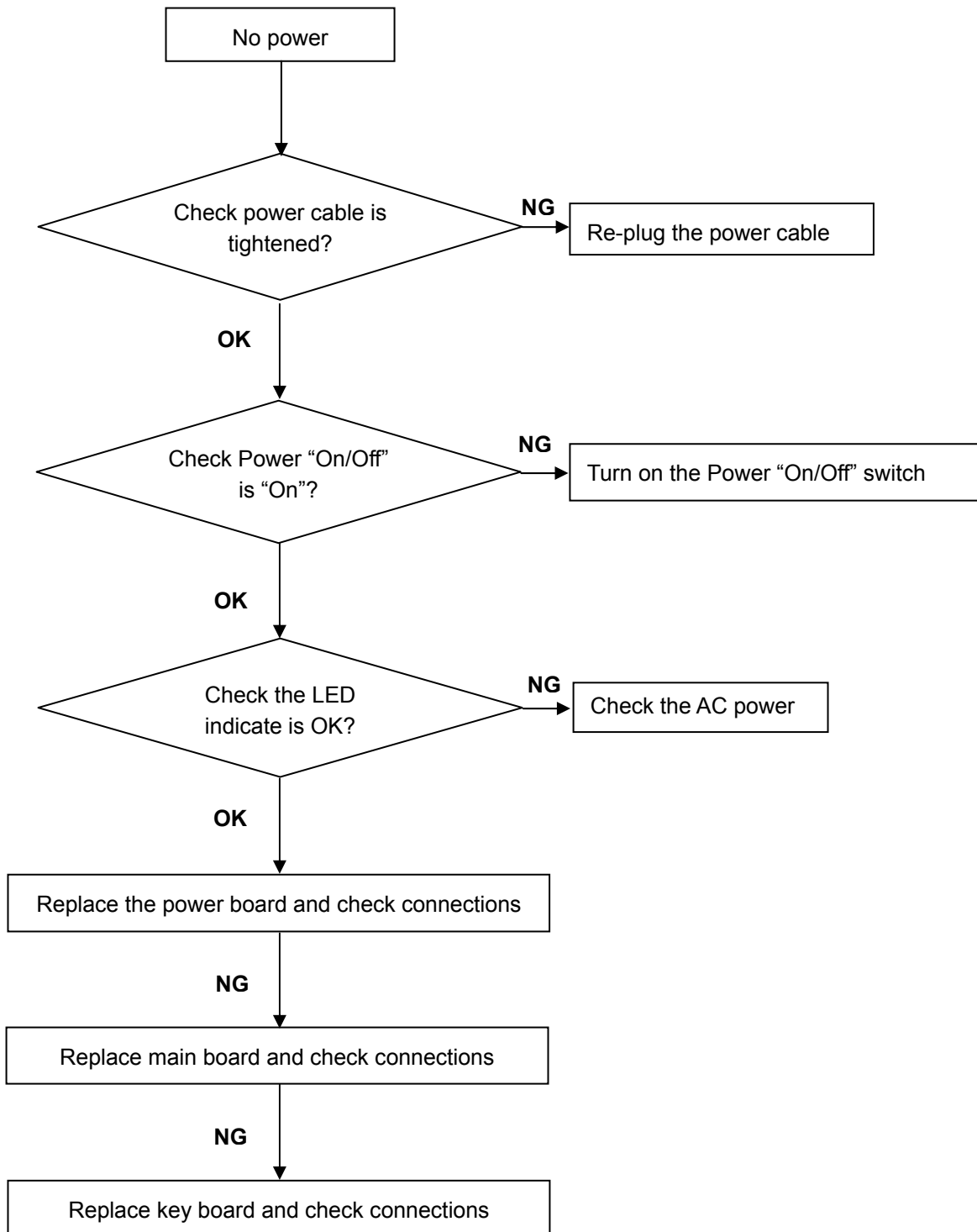
8. Maintainability

8.1 Equipments and Tools Requirement

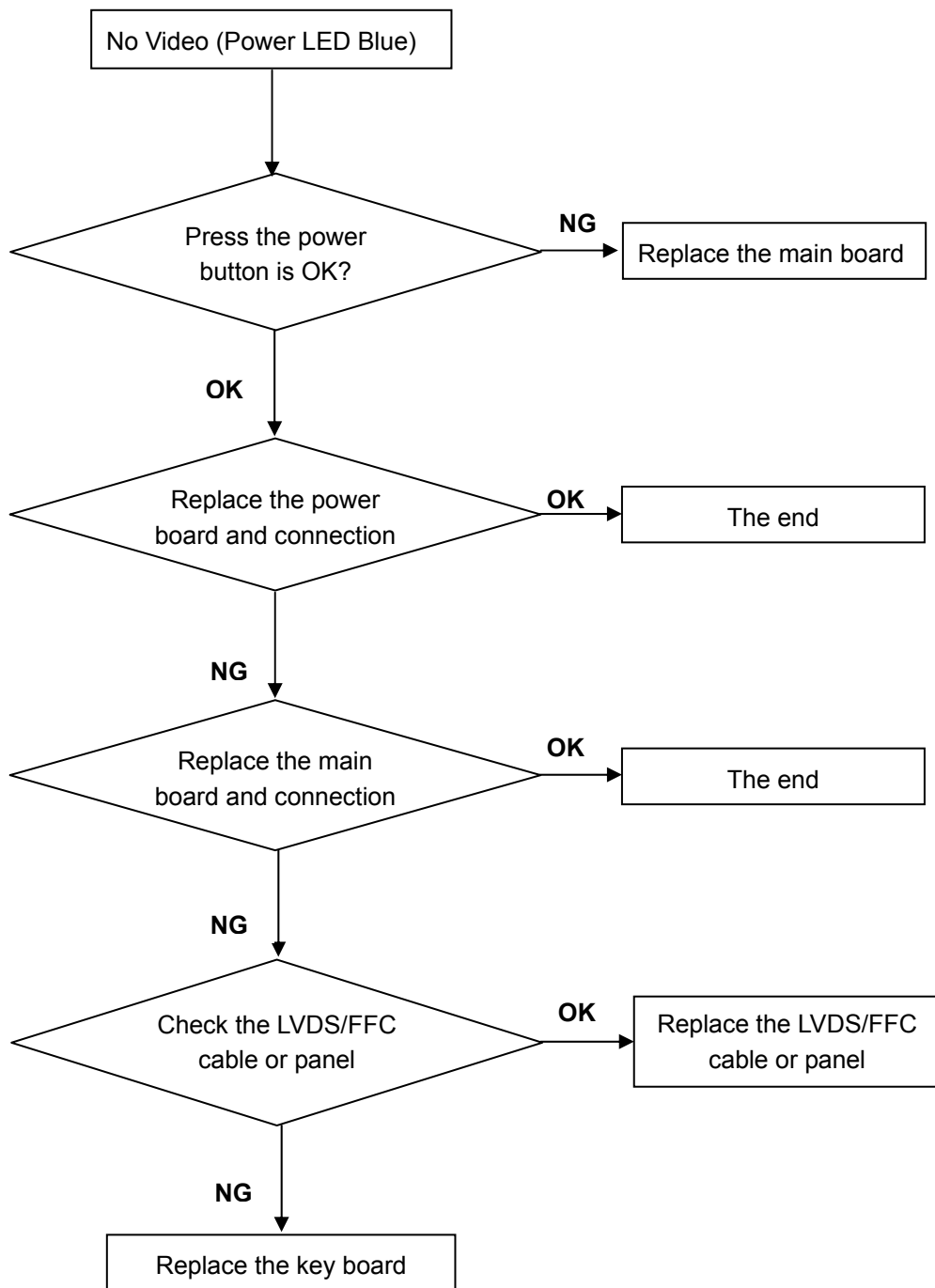
1. Voltmeter.
2. Oscilloscope.
3. Pattern Generator.
4. DDC Tool with an IBM Compatible Computer.
5. Alignment Tool.
6. LCD Color Analyzer.
7. Service Manual.
8. User Manual.

8.2 Trouble Shooting

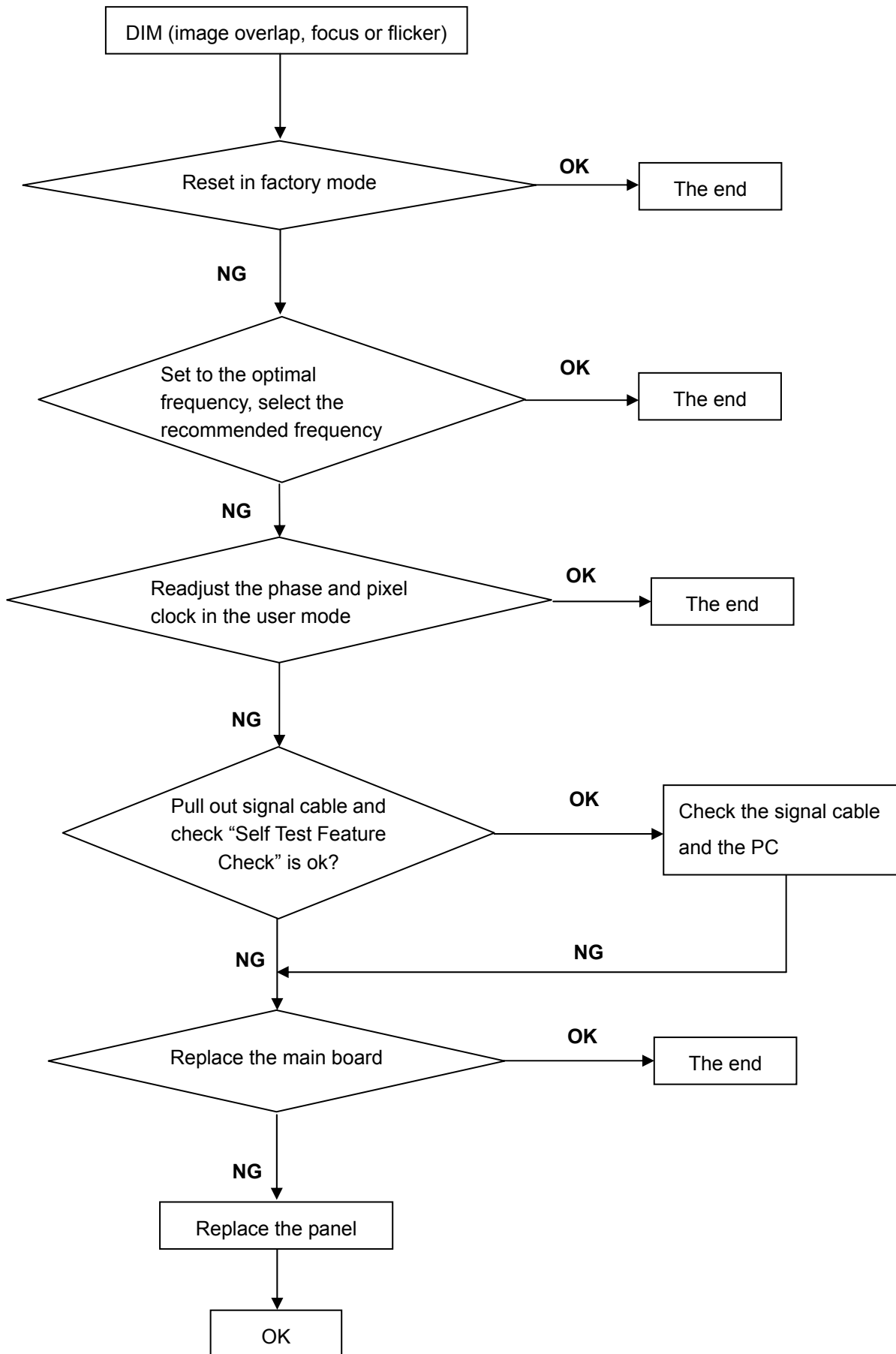
1. No Power



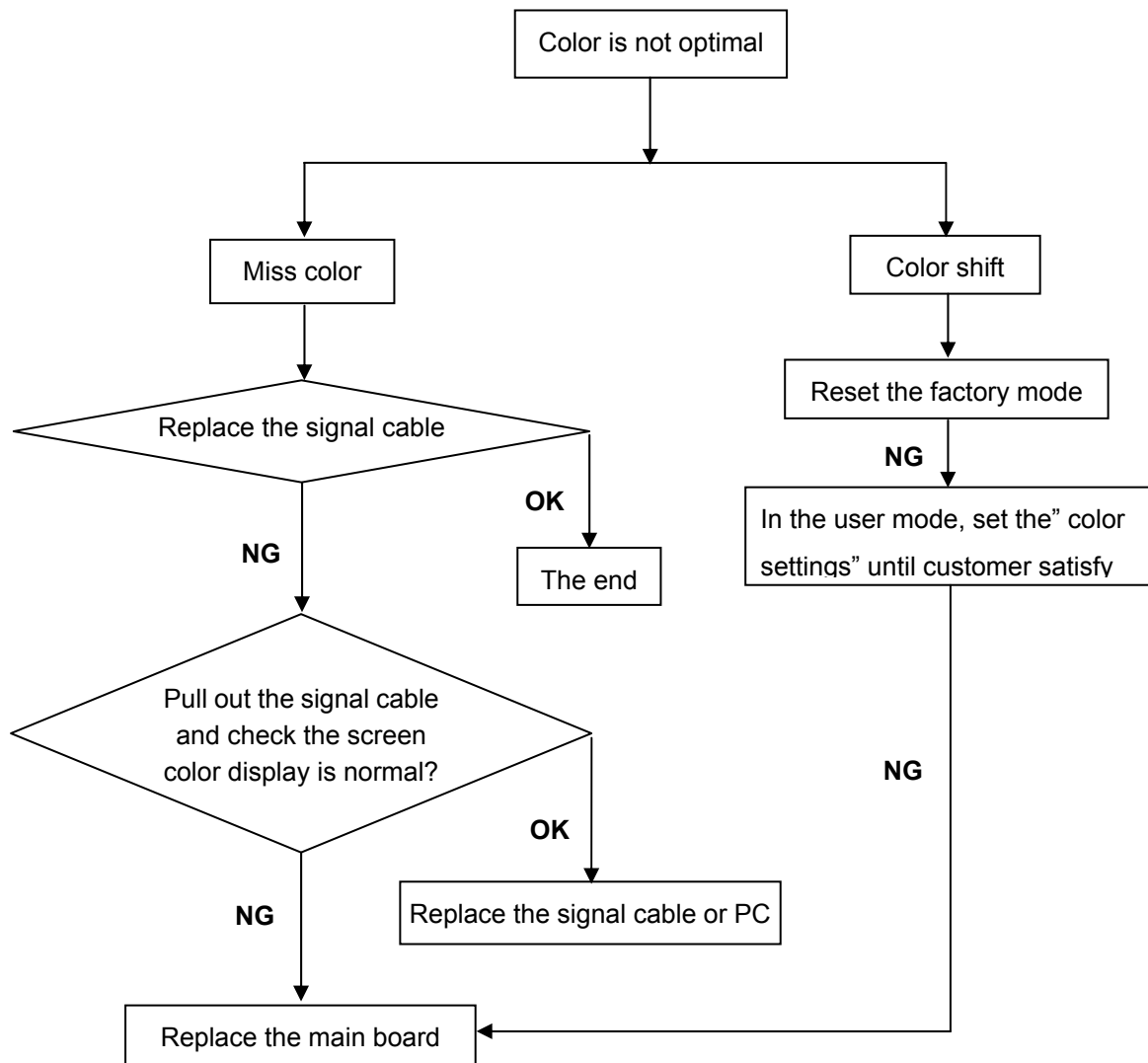
2. No Video (Power LED Blue)



3. DIM



4. Color is not optimal



9. White- Balance, Luminance Adjustment

Approximately 30 minutes should be allowed for warm up before proceeding white balance adjustment.

How to setting MEM channel you can reference to chroma 7120 user guide or simpl use “SC” key and “NEXT” Key to modify xyY value and use “ID” key to modify the TEXT description Following is the procedure to do white-balance adjust .

2. Setting the color temp. you want

A. MEM.CHANNEL 3 Warm (6500K):

Warm color temp. parameter is $x = 313 \pm 30$, $y = 329 \pm 30$

B. MEM.CHANNEL 4 Normal (7300K):

Normal color temp. parameter is $x = 301 \pm 30$, $y = 317 \pm 30$

C. MEM.CHANNEL 9 Cool (9300K):

Cool color temp. parameter is $x = 283 \pm 30$, $y = 297 \pm 30$

D. MEM.CHANNEL 10 (sRGB color):

sRGB color temp. parameter is $x = 313 \pm 30$, $y = 329 \pm 30$

3. Enter into the factory mode

AC power off, when press “MENU” button, AC power on. Then press “MENU” button again, you will enter into the factory mode.

4. Gain adjustment:

Move cursor to “-F-” and press MENU key

A. Adjust Warm (6500K) color-temperature

1. Switch the chroma-7120 to **RGB-Mode** (with press “MODE” button)
2. Switch the MEM.channel to Channel 3 (with up or down arrow on chroma 7120)
3. The LCD-indicator on chroma 7120 will show $x = 313 \pm 30$, $y = 329 \pm 30$
4. Adjust the RED on factory window until chroma 7120 indicator reached the value R=100
5. Adjust the GREEN on factory window until chroma 7120 indicator reached the value G=100
6. Adjust the BLUE on factory window until chroma 7120 indicator reached the value B=100
7. Repeat above procedure (item 4, 5, 6) until chroma 7120 RGB value meet the tolerance =100±2

B. Adjust Normal (7300K) color-temperature

1. Switch the chroma-7120 to **RGB-Mode** (with press “MODE” button)
2. Switch the MEM.channel to Channel 4 (with up or down arrow on chroma 7120)
3. The LCD-indicator on chroma 7120 will show $x = 301 \pm 30$, $y = 317 \pm 30$
4. Adjust the RED on factory window until chroma 7120 indicator reached the value R=100
5. Adjust the GREEN on factory window until chroma 7120 indicator reached the value G=100
6. Adjust the BLUE on factory window until chroma 7120 indicator reached the value B=100
7. Repeat above procedure (item 4, 5, 6) until chroma 7120 RGB value meet the tolerance =100±2

C. Adjust Cool (9300K) color-temperature

1. Switch the Chroma-7120 to **RGB-Mode** (with press "MODE" button)
2. Switch the MEM. Channel to Channel 9 (with up or down arrow on chroma 7120)
3. The LCD-indicator on chroma 7120 will show $x = 283 \pm 30$, $y = 297 \pm 30$
4. Adjust the RED on factory window until chroma 7120 indicator reached the value $R=100$
5. Adjust the GREEN on factory window until chroma 7120 indicator reached the value $G=100$
6. Adjust the BLUE on factory window until chroma 7120 indicator reached the value $B=100$
7. Repeat above procedure (item 4, 5, 6) until chroma 7120 RGB value meet the tolerance $=100 \pm 2$

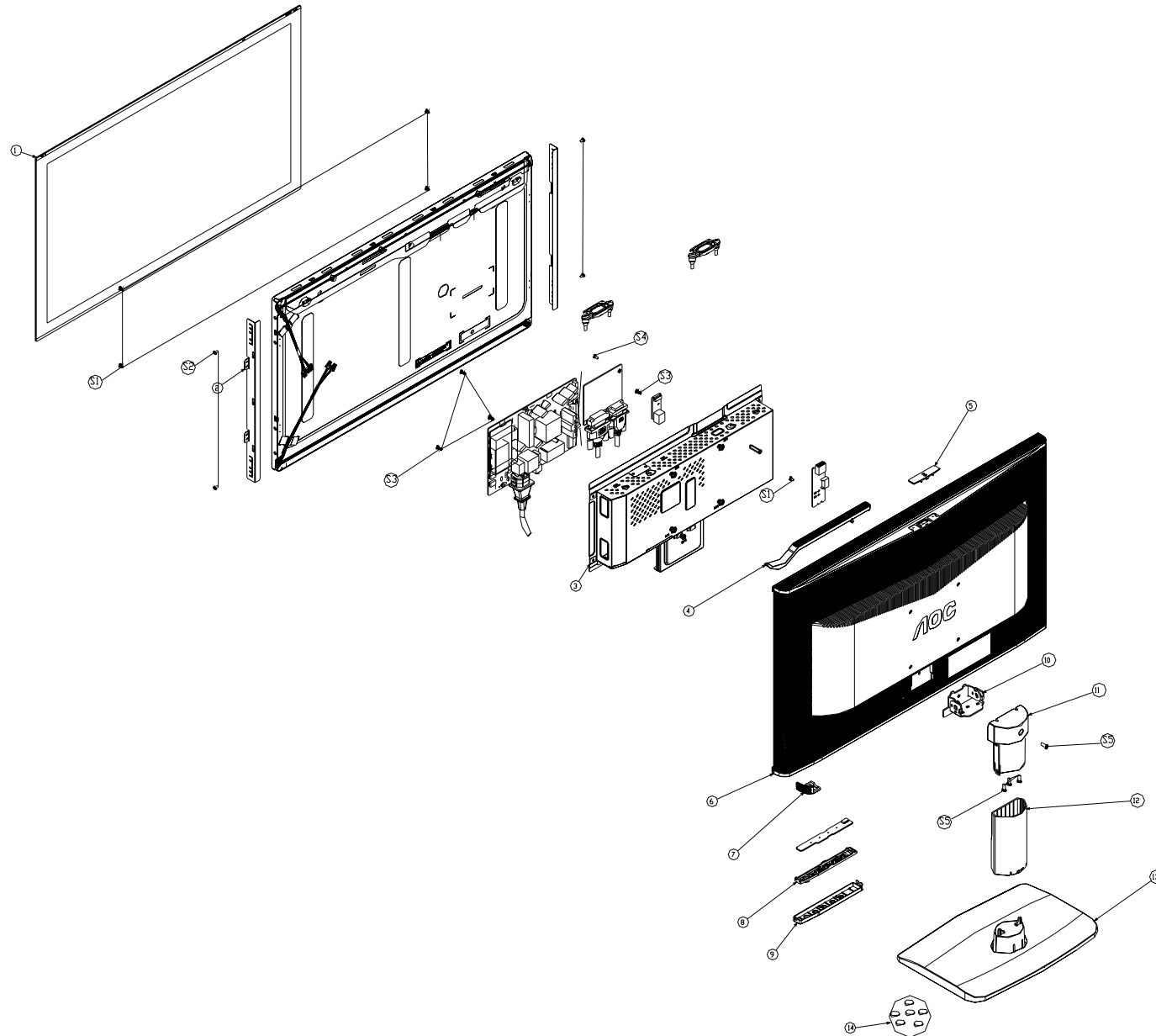
D. Adjust sRGB color-temperature

1. Switch the chroma-7120 to **RGB-Mode** (with press "MODE" button)
2. Switch the MEM.channel to Channel 10 (with up or down arrow on chroma 7120)
3. The LCD-indicator on chroma 7120 will show $x = 313 \pm 30$, $y = 329 \pm 30$
4. Adjust the RED on factory window until chroma 7120 indicator reached the value $R=100$
5. Adjust the GREEN on factory window until chroma 7120 indicator reached the value $G=100$
6. Adjust the BLUE on factory window until chroma 7120 indicator reached the value $B=100$
7. Repeat above procedure (item 4, 5, 6) until chroma 7120 RGB value meet the tolerance $=100 \pm 2$

E. Turn the Power-button off to quit from factory mode.

10. Monitor Exploded View

Note: The DVI is only for 2341Va and 2341Vg



No.	Description	Q'ty
1	BEZEL L23WA-T41	1
2	BRACKET_HOLDER	2
3	MAIN_FRAME	1
4	EAR PHONE STAND	1
5	WEB CAM COVER	1
6	REAR COVER	1
7	N/A	1
8	KEY PAD	1

No.	Description	Q'ty	No.	Part No.	Description	Q'ty
9	KEY PAD HOLDER	1				
10	HINGE	1	S1	0Q1G 930 6120	SCREW(FOR BRACKET_HOLDER)	5
11	STAND TOP	1	S2	0M1G 930 5120	SCREW(FOR BRACKET_HOLDER/PANEL)	4
12	STAND	1	S3	0D1G1030 8120	SCREW(MB&PB/MAIN_FRAME)	4
13	BASE	1	S4	0D1G1030 8120	SCREW(USB BOARD/MAIN_FRAME)	1
14	FOOT	6	S5	0M1G1740 10225	SCREW(FOR STAND TOP/HINGE/ REAR COVER)	6

11. BOM List

Note: The parts information listed below are for reference only, and are subject to change without notice. Please go to <http://cs.tpv.com.cn/hello1.asp> for the latest information.

2341Va TDASNTEBWVA1PN

Location	Part No.	Description	Remark
	052G 1209 A	200MINIUM TAPE	
	052G 1211 A	CONDUCTIVE TAPE 55MM *45MM *0.08MM	
	052G 1211 B	CONDUCTIVE TAPE 85MM *40MM *0.09MM	
	052G 2191 A	PAPER TAPE	
	052G6019 1	INSULATING TAPE	
	078G0025501 YA	SPK 4 OHM 2.5W 48X28 220 140 SUNLINK	
	089G 175 8 G	FQE41177F USB CABLE 1800MM A+B	
	089G 725HAADB	D-SUB CABLE 1500MM	
	089G179J30N576	FFC CABLE	
E08901	089G404A15N HL	AC POWER CORD 1500MM EUROPE REG	
E08901	089G404A15N IS	AC POWER CORD 1500MM EUROPE REG.	2nd Source
E09501	095G8014 5DH15	WIRE HARNESS 5P(2008)-5P(2008) 440MM	2nd Source
E09501	095G8014 5XH15	WIRE HARNESS 5P(2008)-5P(2008) 440MM	
	095G8014 6WH13	WIRE HARNESS 6P(PLUG)-6P(A1253HA HR)	
	0D1G1030 8120	SCREW	
	0D1G1030 8120	SCREW	
	0M1G 930 5120	SCREW	
	0M1G1740 10225 CR3	SCREW	
	0Q1G 930 6120	SCREW 3X6MM	
	708GD053 CP	AOC 40(1520)	
	Q50G 4 10	TIE (Y1900221)	
	Q52G 1185 99	BIG CARTON TAPE FOR AOC	
	708GD05301S	AOC 40 (1615)	
	Q45G 77 5	PE PACKING (Y1900241)	
	Q50G 4 10	TIE (Y1900221)	
	Q52G 1185 99	BIG CARTON TAPE FOR AOC	
	750GLS230HT312N000	PANEL LTM230HT03 C01 SZ SEC	
	756GQACB AA039 00	MAIN BOARD-CBPC9NTA1QN	
SMTC9-U402	100GANS0002YT1	MCU ASS'Y-056G1133 90 1	
	A15G1195101001	MAIN_FRAME --	
	A15G1211101	BRACKET HOLDER	
	A33G0928AFR 1L0100	EAR PHONE STAND	
	A34G1858AEDA1B0100	BEZEL L23WA-T41	
	A34G1859AFRA4B0100	REAR COVER	
	A37G0167011	HINGE	
	AM1G1740 10225 CR3	SCREW	

	040G 45762412B	CBPC LABEL	
CN402	033G3802 6B Y	CONN 6PIN 2.0	
CN701	033G3802 9B Y	CONNECTOR 9P 2.0	
CN408	033G801930F CH JS	CONNECTOR	
R707	061G152M479 64 SY	RST MOFR 4.7 OHM +-5% 2WS FUTABA	
CN101	088G 35315F HD	D-SUB CONN F ATTACHED SCREW	
CN102	088G 35424F HN	DVI CONN + SHIELD 24P F WITH SCREW	
X401	093G 2251B J	CRYSTAL 12MHZ NXS12.000AC30F-KAB10	
C716	067G 3051007PB	EC 10UF 20% 50V 5*11	
C433	067G 3051013PB	EC 105°C 100UF M 16V 5*11MM	
C702	067G 3051013PB	EC 105°C 100UF M 16V 5*11MM	
C710	067G 3051013PB	EC 105°C 100UF M 16V 5*11MM	
C705	067G 3051013PB	EC 105°C 100UF M 16V 5*11MM	
U401	056G 562281	IC NT68668UFG/C QFP-128	
U703	056G 563206	IC LDO AP2114H-1.8TRG1 1A/1.8V SOT-223	
U701	056G 563224	IC LDO AP2114H-3.3TRG1 1A/3.3V SOT-223	
U102	056G 662504	IC ESD AOZ8902CIL 24KV 5A SOT23-6 AOS	
U103	056G 662504	IC ESD AOZ8902CIL 24KV 5A SOT23-6 AOS	
U104	056G 662504	IC ESD AOZ8902CIL 24KV 5A SOT23-6 AOS	
U106	056G 662504	IC ESD AOZ8902CIL 24KV 5A SOT23-6 AOS	
U107	056G 662504	IC ESD AOZ8902CIL 24KV 5A SOT23-6 AOS	
U402	056G1133 90 1	IC PM25LV020-100SCE 2MB SOIC-8 PMC	
U101	056G1133918	IC AT24C02BN-SH-T 8-SOIC	
U105	056G1133918	IC AT24C02BN-SH-T 8-SOIC	
Q701	057G 417 12 T	KEC 2N3904S-RTK/PS	
Q706	057G 417 12 T	KEC 2N3904S-RTK/PS	
Q401	057G 417 13 T	KEC 2N3906S-RTK/PS	
Q402	057G 417 13 T	KEC 2N3906S-RTK/PS	
Q705	057G 763940	MOSFET AO3401A SOT-23	
R103	061G0402000 JF	RST CHIPR MAX0R05 1/16W FENGHUA	
R104	061G0402000 JF	RST CHIPR MAX0R05 1/16W FENGHUA	
R109	061G0402000 JF	RST CHIPR MAX0R05 1/16W FENGHUA	
R110	061G0402000 JF	RST CHIPR MAX0R05 1/16W FENGHUA	
R117	061G0402000 JF	RST CHIPR MAX0R05 1/16W FENGHUA	
R118	061G0402000 JF	RST CHIPR MAX0R05 1/16W FENGHUA	
R406	061G0402000 JF	RST CHIPR MAX0R05 1/16W FENGHUA	
R407	061G0402000 JF	RST CHIPR MAX0R05 1/16W FENGHUA	
R711	061G0402000 JT	RST CHIPR MAX0R05 1/16W TZAI YUAN	
R410	061G0402000 JT	RST CHIPR MAX0R05 1/16W TZAI YUAN	
R409	061G0402000 JT	RST CHIPR MAX0R05 1/16W TZAI YUAN	

R407	061G0402000 JT	RST CHIPR MAX0R05 1/16W TZAI YUAN	
R406	061G0402000 JT	RST CHIPR MAX0R05 1/16W TZAI YUAN	
R118	061G0402000 JT	RST CHIPR MAX0R05 1/16W TZAI YUAN	
R117	061G0402000 JT	RST CHIPR MAX0R05 1/16W TZAI YUAN	
R110	061G0402000 JT	RST CHIPR MAX0R05 1/16W TZAI YUAN	
R109	061G0402000 JT	RST CHIPR MAX0R05 1/16W TZAI YUAN	
R104	061G0402000 JT	RST CHIPR MAX0R05 1/16W TZAI YUAN	
R103	061G0402000 JT	RST CHIPR MAX0R05 1/16W TZAI YUAN	
R141	061G0402100 JF	RST CHIPR 10 OHM +-5% 1/16W FENGHUA	
R140	061G0402100 JF	RST CHIPR 10 OHM +-5% 1/16W FENGHUA	
R139	061G0402100 JF	RST CHIPR 10 OHM +-5% 1/16W FENGHUA	
R138	061G0402100 JF	RST CHIPR 10 OHM +-5% 1/16W FENGHUA	
R137	061G0402100 JF	RST CHIPR 10 OHM +-5% 1/16W FENGHUA	
R136	061G0402100 JF	RST CHIPR 10 OHM +-5% 1/16W FENGHUA	
R135	061G0402100 JF	RST CHIPR 10 OHM +-5% 1/16W FENGHUA	
R134	061G0402100 JF	RST CHIPR 10 OHM +-5% 1/16W FENGHUA	
R141	061G0402100 JT	RST CHIP 10R 1/16W 5% TZAI YUAN	
R140	061G0402100 JT	RST CHIP 10R 1/16W 5% TZAI YUAN	
R139	061G0402100 JT	RST CHIP 10R 1/16W 5% TZAI YUAN	
R138	061G0402100 JT	RST CHIP 10R 1/16W 5% TZAI YUAN	
R137	061G0402100 JT	RST CHIP 10R 1/16W 5% TZAI YUAN	
R136	061G0402100 JT	RST CHIP 10R 1/16W 5% TZAI YUAN	
R135	061G0402100 JT	RST CHIP 10R 1/16W 5% TZAI YUAN	
R134	061G0402100 JT	RST CHIP 10R 1/16W 5% TZAI YUAN	
R124	061G0402101 JF	RST CHIPR 100 OHM +-5% 1/16W FENGHUA	
R123	061G0402101 JF	RST CHIPR 100 OHM +-5% 1/16W FENGHUA	
R121	061G0402101 JF	RST CHIPR 100 OHM +-5% 1/16W FENGHUA	
R119	061G0402101 JF	RST CHIPR 100 OHM +-5% 1/16W FENGHUA	
R113	061G0402101 JF	RST CHIPR 100 OHM +-5% 1/16W FENGHUA	
R111	061G0402101 JF	RST CHIPR 100 OHM +-5% 1/16W FENGHUA	
R108	061G0402101 JF	RST CHIPR 100 OHM +-5% 1/16W FENGHUA	
R106	061G0402101 JF	RST CHIPR 100 OHM +-5% 1/16W FENGHUA	
R105	061G0402101 JF	RST CHIPR 100 OHM +-5% 1/16W FENGHUA	
R102	061G0402101 JF	RST CHIPR 100 OHM +-5% 1/16W FENGHUA	
R101	061G0402101 JF	RST CHIPR 100 OHM +-5% 1/16W FENGHUA	
R127	061G0402101 JF	RST CHIPR 100 OHM +-5% 1/16W FENGHUA	
R128	061G0402101 JF	RST CHIPR 100 OHM +-5% 1/16W FENGHUA	
R129	061G0402101 JF	RST CHIPR 100 OHM +-5% 1/16W FENGHUA	
R431	061G0402101 JF	RST CHIPR 100 OHM +-5% 1/16W FENGHUA	
R439	061G0402101 JF	RST CHIPR 100 OHM +-5% 1/16W FENGHUA	

R703	061G0402101 JF	RST CHIPR 100 OHM +-5% 1/16W FENGHUA	
R124	061G0402101 JT	RST CHIP 100R 1/16W 5% TZAI YUAN	
R127	061G0402101 JT	RST CHIP 100R 1/16W 5% TZAI YUAN	
R128	061G0402101 JT	RST CHIP 100R 1/16W 5% TZAI YUAN	
R129	061G0402101 JT	RST CHIP 100R 1/16W 5% TZAI YUAN	
R431	061G0402101 JT	RST CHIP 100R 1/16W 5% TZAI YUAN	
R439	061G0402101 JT	RST CHIP 100R 1/16W 5% TZAI YUAN	
R703	061G0402101 JT	RST CHIP 100R 1/16W 5% TZAI YUAN	
R798	061G0402101 JT	RST CHIP 100R 1/16W 5% TZAI YUAN	
R712	061G0402101 JT	RST CHIP 100R 1/16W 5% TZAI YUAN	
R123	061G0402101 JT	RST CHIP 100R 1/16W 5% TZAI YUAN	
R121	061G0402101 JT	RST CHIP 100R 1/16W 5% TZAI YUAN	
R119	061G0402101 JT	RST CHIP 100R 1/16W 5% TZAI YUAN	
R113	061G0402101 JT	RST CHIP 100R 1/16W 5% TZAI YUAN	
R111	061G0402101 JT	RST CHIP 100R 1/16W 5% TZAI YUAN	
R108	061G0402101 JT	RST CHIP 100R 1/16W 5% TZAI YUAN	
R106	061G0402101 JT	RST CHIP 100R 1/16W 5% TZAI YUAN	
R105	061G0402101 JT	RST CHIP 100R 1/16W 5% TZAI YUAN	
R102	061G0402101 JT	RST CHIP 100R 1/16W 5% TZAI YUAN	
R101	061G0402101 JT	RST CHIP 100R 1/16W 5% TZAI YUAN	
R424	061G0402102 JF	RST CHIPR 1KOHM +-5% 1/16W FENGHUA	
R424	061G0402102 JT	RST CHIP 1K 1/16W 5% TZAI YUAN	
R799	061G0402103 JF	RST CHIPR 10KOHM +-5% 1/16W FENGHUA	
R714	061G0402103 JF	RST CHIPR 10KOHM +-5% 1/16W FENGHUA	
R704	061G0402103 JF	RST CHIPR 10KOHM +-5% 1/16W FENGHUA	
R444	061G0402103 JF	RST CHIPR 10KOHM +-5% 1/16W FENGHUA	
R429	061G0402103 JF	RST CHIPR 10KOHM +-5% 1/16W FENGHUA	
R130	061G0402103 JF	RST CHIPR 10KOHM +-5% 1/16W FENGHUA	
R799	061G0402103 JT	RST CHIP 10K 1/16W 5% TZAI YUAN	
R714	061G0402103 JT	RST CHIP 10K 1/16W 5% TZAI YUAN	
R704	061G0402103 JT	RST CHIP 10K 1/16W 5% TZAI YUAN	
R444	061G0402103 JT	RST CHIP 10K 1/16W 5% TZAI YUAN	
R429	061G0402103 JT	RST CHIP 10K 1/16W 5% TZAI YUAN	
R130	061G0402103 JT	RST CHIP 10K 1/16W 5% TZAI YUAN	
R422	061G0402104 JF	RST CHIPR 100KOHM +-5% 1/16W FENGHUA	
R715	061G0402104 JF	RST CHIPR 100KOHM +-5% 1/16W FENGHUA	
R415	061G0402104 JF	RST CHIPR 100KOHM +-5% 1/16W FENGHUA	
R715	061G0402104 JT	RST CHIP 100K 1/16W 5% TZAI YUAN	
R422	061G0402104 JT	RST CHIP 100K 1/16W 5% TZAI YUAN	
R415	061G0402104 JT	RST CHIP 100K 1/16W 5% TZAI YUAN	

R432	061G0402105 JF	RST CHIPR 1MOHM 5% 1/16W FENGHUA	
R432	061G0402105 JT	RST CHIP R 1MOHM 1/16W +/-5% TZAI YUAN	
R125	061G0402222 JF	RST CHIPR 2.2KOHM +-5% 1/16W FENGHUA	
R126	061G0402222 JF	RST CHIPR 2.2KOHM +-5% 1/16W FENGHUA	
R125	061G0402222 JT	RST CHIP 2K2 1/16W 5% TZAI YUAN	
R126	061G0402222 JT	RST CHIP 2K2 1/16W 5% TZAI YUAN	
R719	061G0402223 JF	RST CHIPR 22KOHM 5% 1/16W FENGHUA	
R701	061G0402223 JF	RST CHIPR 22KOHM 5% 1/16W FENGHUA	
R427	061G0402223 JF	RST CHIPR 22KOHM 5% 1/16W FENGHUA	
R133	061G0402223 JF	RST CHIPR 22KOHM 5% 1/16W FENGHUA	
R116	061G0402223 JF	RST CHIPR 22KOHM 5% 1/16W FENGHUA	
R425	061G0402223 JF	RST CHIPR 22KOHM 5% 1/16W FENGHUA	
R719	061G0402223 JT	RST CHIP 22K 1/16W 5% TZAI YUAN	
R701	061G0402223 JT	RST CHIP 22K 1/16W 5% TZAI YUAN	
R427	061G0402223 JT	RST CHIP 22K 1/16W 5% TZAI YUAN	
R425	061G0402223 JT	RST CHIP 22K 1/16W 5% TZAI YUAN	
R133	061G0402223 JT	RST CHIP 22K 1/16W 5% TZAI YUAN	
R116	061G0402223 JT	RST CHIP 22K 1/16W 5% TZAI YUAN	
R416	061G0402224 JT	RST CHIP 220K 1/16W 5% TZAI YUAN	
R423	061G0402224 JT	RST CHIP 220K 1/16W 5% TZAI YUAN	
R416	061G0402224 JY	RST CHIPR 220KOHM +-5% 1/16W YAGEO	
R423	061G0402224 JY	RST CHIPR 220KOHM +-5% 1/16W YAGEO	
R405	061G0402392 JF	RST CHIPR 3.9KOHM +-5% 1/16W FENGHUA	
R401	061G0402392 JF	RST CHIPR 3.9KOHM +-5% 1/16W FENGHUA	
R404	061G0402392 JF	RST CHIPR 3.9KOHM +-5% 1/16W FENGHUA	
R401	061G0402392 JT	RST CHIP R 3K9 +/-5% 1/16W TZAI YUAN	
R405	061G0402392 JT	RST CHIP R 3K9 +/-5% 1/16W TZAI YUAN	
R404	061G0402392 JT	RST CHIP R 3K9 +/-5% 1/16W TZAI YUAN	
R419	061G0402394 JY	RST CHIP R 390K +/-5% 1/16W YAGEO	
R408	061G04024700FT	RST CHIP 470R 1/16W 1%	
R408	061G04024700FY	RST CHIP 470R 1/16W 1%	
R142	061G0402471 JF	RST CHIPR 470 OHM 5% 1/16W FENGHUA	
R142	061G0402471 JT	RST CHIP 470R 1/16W 5% TZAI YUAN	
R114	061G0402472 JF	RST CHIPR 4.7KOHM +-5% 1/16W FENGHUA	
R115	061G0402472 JF	RST CHIPR 4.7KOHM +-5% 1/16W FENGHUA	
R131	061G0402472 JF	RST CHIPR 4.7KOHM +-5% 1/16W FENGHUA	
R132	061G0402472 JF	RST CHIPR 4.7KOHM +-5% 1/16W FENGHUA	
R702	061G0402472 JF	RST CHIPR 4.7KOHM +-5% 1/16W FENGHUA	
R721	061G0402472 JF	RST CHIPR 4.7KOHM +-5% 1/16W FENGHUA	
R114	061G0402472 JT	RST CHIP 4K7 1/16W 5% TZAI YUAN	

R115	061G0402472 JT	RST CHIP 4K7 1/16W 5% TZAI YUAN	
R131	061G0402472 JT	RST CHIP 4K7 1/16W 5% TZAI YUAN	
R132	061G0402472 JT	RST CHIP 4K7 1/16W 5% TZAI YUAN	
R411	061G0402472 JT	RST CHIP 4K7 1/16W 5% TZAI YUAN	
R413	061G0402472 JT	RST CHIP 4K7 1/16W 5% TZAI YUAN	
R702	061G0402472 JT	RST CHIP 4K7 1/16W 5% TZAI YUAN	
R721	061G0402472 JT	RST CHIP 4K7 1/16W 5% TZAI YUAN	
R107	061G04027509FF	RST CHIPR 75 OHM +-1% 1/16W FENGHUA	
R112	061G04027509FF	RST CHIPR 75 OHM +-1% 1/16W FENGHUA	
R120	061G04027509FF	RST CHIPR 75 OHM +-1% 1/16W FENGHUA	
R107	061G04027509FT	RST CHIP 75R 1/16W 1%	
R112	061G04027509FT	RST CHIP 75R 1/16W 1%	
R120	061G04027509FT	RST CHIP 75R 1/16W 1%	
R122	061G0603000 JF	RST CHIPR MAX 0R05 1/10W FENGHUA	
R122	061G0603000 JT	RST CHIP MAX 0R05 1/10W TZAI YUAN	
R418	061G0603102 JF	RST CHIPR 1K OHM +-5% 1/10W FENGHUA	
R418	061G0603102 JT	RST CHIP 1K 1/10W 5% TZAI YUAN	
R417	061G0603471 JF	RST CHIPR 470OHM +-5% 1/10W FENGHUA	
R417	061G0603471 JT	RST CHIPR 470OHM +-5% 1/10W TZAI YUAN	
FB701	061G0805000 JT	RST CHIPR 0 OHM +- 5% 1/8W TZAI YUAN	
R449	061G1206221 JF	RST CHIPR 220 OHM +-5% 1/4W FENGHUA	
R448	061G1206221 JF	RST CHIPR 220 OHM +-5% 1/4W FENGHUA	
R449	061G1206221 JT	RST CHIPR 220 OHM +-5% 1/4W TZAI YUAN	
R448	061G1206221 JT	RST CHIPR 220 OHM +-5% 1/4W TZAI YUAN	
C120	065G040210232K T	CAP CHIP 0402 1000PF 50V X7R	
C120	065G040210232K Y	CAP CHIP 0402 1N 50V X7R +/-10%	
C411	065G040210425K 3	CAP CHIP 0402 100N 25V X5R +/-10%	
C410	065G040210425K 3	CAP CHIP 0402 100N 25V X5R +/-10%	
C409	065G040210425K 3	CAP CHIP 0402 100N 25V X5R +/-10%	
C408	065G040210425K 3	CAP CHIP 0402 100N 25V X5R +/-10%	
C407	065G040210425K 3	CAP CHIP 0402 100N 25V X5R +/-10%	
C405	065G040210425K 3	CAP CHIP 0402 100N 25V X5R +/-10%	
C403	065G040210425K 3	CAP CHIP 0402 100N 25V X5R +/-10%	
C402	065G040210425K 3	CAP CHIP 0402 100N 25V X5R +/-10%	
C401	065G040210425K 3	CAP CHIP 0402 100N 25V X5R +/-10%	
C119	065G040210425K 3	CAP CHIP 0402 100N 25V X5R +/-10%	
C118	065G040210425K 3	CAP CHIP 0402 100N 25V X5R +/-10%	
C117	065G040210425K 3	CAP CHIP 0402 100N 25V X5R +/-10%	
C115	065G040210425K 3	CAP CHIP 0402 100N 25V X5R +/-10%	
C412	065G040210425K 3	CAP CHIP 0402 100N 25V X5R +/-10%	

C713	065G040210425K	3	CAP CHIP 0402 100N 25V X5R +/-10%	
C712	065G040210425K	3	CAP CHIP 0402 100N 25V X5R +/-10%	
C707	065G040210425K	3	CAP CHIP 0402 100N 25V X5R +/-10%	
C706	065G040210425K	3	CAP CHIP 0402 100N 25V X5R +/-10%	
C704	065G040210425K	3	CAP CHIP 0402 100N 25V X5R +/-10%	
C703	065G040210425K	3	CAP CHIP 0402 100N 25V X5R +/-10%	
C701	065G040210425K	3	CAP CHIP 0402 100N 25V X5R +/-10%	
C434	065G040210425K	3	CAP CHIP 0402 100N 25V X5R +/-10%	
C427	065G040210425K	3	CAP CHIP 0402 100N 25V X5R +/-10%	
C425	065G040210425K	3	CAP CHIP 0402 100N 25V X5R +/-10%	
C422	065G040210425K	3	CAP CHIP 0402 100N 25V X5R +/-10%	
C419	065G040210425K	3	CAP CHIP 0402 100N 25V X5R +/-10%	
C418	065G040210425K	3	CAP CHIP 0402 100N 25V X5R +/-10%	
C417	065G040210425K	3	CAP CHIP 0402 100N 25V X5R +/-10%	
C114	065G040210425K	3	CAP CHIP 0402 100N 25V X5R +/-10%	
C113	065G040210425K	3	CAP CHIP 0402 100N 25V X5R +/-10%	
C408	065G040210425K	T	CAP CHIP 0402 0.1UF 25V X5R	
C409	065G040210425K	T	CAP CHIP 0402 0.1UF 25V X5R	
C410	065G040210425K	T	CAP CHIP 0402 0.1UF 25V X5R	
C411	065G040210425K	T	CAP CHIP 0402 0.1UF 25V X5R	
C713	065G040210425K	T	CAP CHIP 0402 0.1UF 25V X5R	
C712	065G040210425K	T	CAP CHIP 0402 0.1UF 25V X5R	
C707	065G040210425K	T	CAP CHIP 0402 0.1UF 25V X5R	
C706	065G040210425K	T	CAP CHIP 0402 0.1UF 25V X5R	
C704	065G040210425K	T	CAP CHIP 0402 0.1UF 25V X5R	
C703	065G040210425K	T	CAP CHIP 0402 0.1UF 25V X5R	
C701	065G040210425K	T	CAP CHIP 0402 0.1UF 25V X5R	
C434	065G040210425K	T	CAP CHIP 0402 0.1UF 25V X5R	
C427	065G040210425K	T	CAP CHIP 0402 0.1UF 25V X5R	
C115	065G040210425K	T	CAP CHIP 0402 0.1UF 25V X5R	
C412	065G040210425K	T	CAP CHIP 0402 0.1UF 25V X5R	
C417	065G040210425K	T	CAP CHIP 0402 0.1UF 25V X5R	
C418	065G040210425K	T	CAP CHIP 0402 0.1UF 25V X5R	
C419	065G040210425K	T	CAP CHIP 0402 0.1UF 25V X5R	
C422	065G040210425K	T	CAP CHIP 0402 0.1UF 25V X5R	
C425	065G040210425K	T	CAP CHIP 0402 0.1UF 25V X5R	
C117	065G040210425K	T	CAP CHIP 0402 0.1UF 25V X5R	
C118	065G040210425K	T	CAP CHIP 0402 0.1UF 25V X5R	
C119	065G040210425K	T	CAP CHIP 0402 0.1UF 25V X5R	
C401	065G040210425K	T	CAP CHIP 0402 0.1UF 25V X5R	

C402	065G040210425K	T	CAP CHIP 0402 0.1UF 25V X5R	
C403	065G040210425K	T	CAP CHIP 0402 0.1UF 25V X5R	
C405	065G040210425K	T	CAP CHIP 0402 0.1UF 25V X5R	
C407	065G040210425K	T	CAP CHIP 0402 0.1UF 25V X5R	
C114	065G040210425K	T	CAP CHIP 0402 0.1UF 25V X5R	
C113	065G040210425K	T	CAP CHIP 0402 0.1UF 25V X5R	
C424	065G0402105A5K	3	CAP CHIP 0402 1UF K 10V X5R	
C415	065G0402105A5K	3	CAP CHIP 0402 1UF K 10V X5R	
C414	065G0402105A5K	3	CAP CHIP 0402 1UF K 10V X5R	
C406	065G0402105A5K	3	CAP CHIP 0402 1UF K 10V X5R	
C424	065G0402105A5K	T	CAP CHIP 0402 1UF K 10V X5R	
C415	065G0402105A5K	T	CAP CHIP 0402 1UF K 10V X5R	
C406	065G0402105A5K	T	CAP CHIP 0402 1UF K 10V X5R	
C414	065G0402105A5K	T	CAP CHIP 0402 1UF K 10V X5R	
C428	065G040222031J	A	CAP 0402 22PF J 50V NPO	
C426	065G040222031J	A	CAP 0402 22PF J 50V NPO	
C182	065G040222031J	A	CAP 0402 22PF J 50V NPO	
C181	065G040222031J	A	CAP 0402 22PF J 50V NPO	
C181	065G040222031J	T	CAP CHIP 0402 22PF 50V NPO	
C182	065G040222031J	T	CAP CHIP 0402 22PF 50V NPO	
C181	065G040222031J	T	CAP CHIP 0402 22PF 50V NPO	
C182	065G040222031J	T	CAP CHIP 0402 22PF 50V NPO	
C426	065G040222031J	T	CAP CHIP 0402 22PF 50V NPO	
C428	065G040222031J	T	CAP CHIP 0402 22PF 50V NPO	
C718	065G040222415K	A	CAP CHIP 0402 0.22UF K 16V X5R	
C715	065G040222415K	A	CAP CHIP 0402 0.22UF K 16V X5R	
C429	065G040222415K	A	CAP CHIP 0402 0.22UF K 16V X5R	
C116	065G040222415K	A	CAP CHIP 0402 0.22UF K 16V X5R	
C101	065G040222415K	A	CAP CHIP 0402 0.22UF K 16V X5R	
C718	065G040222415K	T	CAP CHIP 0402 220NF K 16V X5R	
C715	065G040222415K	T	CAP CHIP 0402 220NF K 16V X5R	
C429	065G040222415K	T	CAP CHIP 0402 220NF K 16V X5R	
C116	065G040222415K	T	CAP CHIP 0402 220NF K 16V X5R	
C101	065G040222415K	T	CAP CHIP 0402 220NF K 16V X5R	
C718	065G040222415K	T	CAP CHIP 0402 220NF K 16V X5R	
C715	065G040222415K	T	CAP CHIP 0402 220NF K 16V X5R	
C429	065G040222415K	T	CAP CHIP 0402 220NF K 16V X5R	
C116	065G040222415K	T	CAP CHIP 0402 220NF K 16V X5R	
C101	065G040222415K	T	CAP CHIP 0402 220NF K 16V X5R	
C102	065G040247312K	A	8.31HIP 0402 47NF K 16V X7R	

C104	065G040247312K	A	8.31HIP 0402 47NF K 16V X7R	
C105	065G040247312K	A	8.31HIP 0402 47NF K 16V X7R	
C107	065G040247312K	A	8.31HIP 0402 47NF K 16V X7R	
C108	065G040247312K	A	8.31HIP 0402 47NF K 16V X7R	
C110	065G040247312K	A	8.31HIP 0402 47NF K 16V X7R	
C102	065G040247312K	T	CAP CHIP 0402 0.047UF 16V X7R	
C104	065G040247312K	T	CAP CHIP 0402 0.047UF 16V X7R	
C105	065G040247312K	T	CAP CHIP 0402 0.047UF 16V X7R	
C107	065G040247312K	T	CAP CHIP 0402 0.047UF 16V X7R	
C108	065G040247312K	T	CAP CHIP 0402 0.047UF 16V X7R	
C110	065G040247312K	T	CAP CHIP 0402 0.047UF 16V X7R	
C109	065G040250931C	3	CAP CHIP 0402 5PF 50V NPO +/-0.25PF	
C106	065G040250931C	3	CAP CHIP 0402 5PF 50V NPO +/-0.25PF	
C103	065G040250931C	3	CAP CHIP 0402 5PF 50V NPO +/-0.25PF	
C109	065G040250931C	Y	CAP CHIP 0402 5PF 50V NPO +/-0.25PF	
C106	065G040250931C	Y	CAP CHIP 0402 5PF 50V NPO +/-0.25PF	
C103	065G040250931C	Y	CAP CHIP 0402 5PF 50V NPO +/-0.25PF	
C404	065G0805475A2K	3	CAP CHIP 4.7UF 10V X7R +/- 10%	
C413	065G0805475A2K	3	CAP CHIP 4.7UF 10V X7R +/- 10%	
C416	065G0805475A2K	3	CAP CHIP 4.7UF 10V X7R +/- 10%	
C421	065G0805475A2K	3	CAP CHIP 4.7UF 10V X7R +/- 10%	
C423	065G0805475A2K	3	CAP CHIP 4.7UF 10V X7R +/- 10%	
C404	065G0805475A2K	T	CAP CHIP 4U7 10V X7R 10%	
C413	065G0805475A2K	T	CAP CHIP 4U7 10V X7R 10%	
C416	065G0805475A2K	T	CAP CHIP 4U7 10V X7R 10%	
C421	065G0805475A2K	T	CAP CHIP 4U7 10V X7R 10%	
C423	065G0805475A2K	T	CAP CHIP 4U7 10V X7R 10%	
U402	070GHDCP500HDC		HDCP CODE	
FB409	071G 56K121		CHIP BEAD	
FB401	071G 56V301	B	CHIP BEAD FCM2012VF-301T07 BULLWILL	
FB402	071G 56V301	B	CHIP BEAD FCM2012VF-301T07 BULLWILL	
FB408	071G 56V301	B	CHIP BEAD FCM2012VF-301T07 BULLWILL	
FB404	071G 56V301	B	CHIP BEAD FCM2012VF-301T07 BULLWILL	
FB405	071G 56V301	B	CHIP BEAD FCM2012VF-301T07 BULLWILL	
FB403	071G 56V301	B	CHIP BEAD FCM2012VF-301T07 BULLWILL	
D101	093G 64 42	L	DIODE LBAV70LT1G SOT-23 LRC	
D102	093G 64 42	L	DIODE LBAV70LT1G SOT-23 LRC	
D102	093G 64 42	P	BAV70 SOT23 BY PAN JIT	
D101	093G 64 42	P	BAV70 SOT23 BY PAN JIT	
ZD102	093G 39GA01	T	RLZ5.6B	

ZD101	093G 39GA01 T	RLZ5.6B	
E715	715G3737M01000004K	MAIN PCB FR4 80X72X1.6MM DS	
E715	715G3737M01000004L	MAIN PCB FR4 80X72X1.6MM DS	2nd Source
	J33G8B42 1 1C0100	KEY PAD	
	J33G8B43AFR 1L0100	KEY PAD HOLDER	
	J33G8B46AFR 1L0100	WEB CAM COVER	
	J34G8B57AED 1B0100	BASE	
	J34G8B63AED 1B0100	STAND TOP	
	J34G8B64AED 1B0100	STAND	
	KEPC9QC5	KEY BOARD	
SW001	077G 5005A1 XL	DOME SWITCH 5 PCS	
CN001	033G8032 6F X	WAFER 6P 1.25MM	
CN001	033G8032 6F HR	CONNECTOR	2nd Source
R003	061G0603000 FT	RST CHIPR MAX 0R01 1/10W TZAI YUAN	
R003	061G0603000 JF	RST CHIPR MAX 0R05 1/10W FENGHUA	
R005	061G0603102 JF	RST CHIPR 1K OHM +-5% 1/10W FENGHUA	
R005	061G0603102 JT	RST CHIP 1K 1/10W 5% TZAI YUAN	
R002	061G0603202 JF	RST CHIPR 2K OHM +-5% 1/10W FENGHUA	
R004	061G0603202 JF	RST CHIPR 2K OHM +-5% 1/10W FENGHUA	
R002	061G0603202 JT	RST CHIPR 2KOHM 1/10W TZAI YUAN	
R004	061G0603202 JT	RST CHIPR 2KOHM 1/10W TZAI YUAN	
C003	065G060310232K A	CAP CHIP 0603 1000PF K 50V X7R	
C004	065G060310232K A	CAP CHIP 0603 1000PF K 50V X7R	
C004	065G060310232K F	CAP CHIP 0603 1NF K 50V X7R	
C003	065G060310232K F	CAP CHIP 0603 1NF K 50V X7R	
LED01	081G 14501 GP	LED GPTD1210YGC3-HB GUANGPU	
	715G4007K01000004F	KEY PCB FR-4 106.5X14.5MM T1.6MM	
	PWPC9B41MYD2	POWER BOARD G2892-P02-016-X-3-100329	
	040G 45762412B	CBPC LABEL	
GND1	009G6005 1	GROUND TERMINAL	
CN602	033G3802 4 BH F	CONNECTOR	
CN602	033G3802 4 BH L	CONN 2.0MM 4P	2nd Source
CN801	033G8021 2E F	WAFER	
CN803	033G8021 2E F	WAFER	
CN801	033G8021 2E XY	CONNECTOR	2nd Source
CN803	033G8021 2E XY	CONNECTOR	2nd Source
IC902	056G 139 3A	IC PC123Y22FZ0F	
IC902	056G 139900	PHOTO COUPLER TLP421F	
IC601	056G 616 51	IC APA2071JI-TUG 3.1W DIP-16	
NR901	061G 58100 WD	RST NTCR 10 OHM +-20% 5A THINKING	

C908	063G107K334 6S	0.33UF +-10%	
C908	063G107K334 US	X2.MKP.0.33UF,275VAC+-10%EUROP	
C817	065G 6J2096ET	2PF 5% SL 6KV	
C902	065G305M1022BP	Y2 1000PF M 250VAC Y5P	
C903	065G305M1022BP	Y2 1000PF M 250VAC Y5P	
C900	065G306M3322BP	3300PF 20%	
C804	067G215A1024KV	EC 1000UF 25V 12.5*20MM	
C918	067G215A1024KV	EC 1000UF 25V 12.5*20MM	
C918	067G215A1024LV	LOW ESR EC 1000UF 25V M 12.5*20MM	
C804	067G215A1024LV	LOW ESR EC 1000UF 25V M 12.5*20MM	
C925	067G215D4714KV	E.C 105°C CAP 470UF M 25V ED SERIES	
C925	067G215D4714LV	LOW ESR EC 470UF 25V M 10*16MM	
C921	067G215S1023KV	EC CAP 105°C 1000UF M 16V	
C922	067G215S4713KV	EC 105°C CAP 470UF M 16V	
C922	067G215S4713LV	LOW ESR EC 470UF 16V M 10*12.5MM	
C604	067G215S4713LV	LOW ESR EC 470UF 16V M 10*12.5MM	
C907	067G315Z10115K	EC.100UF 450V 18*40MM	
C907	067G315Z10115L	EC 100UF 450V M 18*40MM	
L901	073G 174 65 H2	LINE FILTER 30MH MIN	
L901	073G 174 65 S2	LINE FILTER 30MH MIN	
L906	073G 253 91 H	CHOKE COIL	
L905	073G 253 91 H	CHOKE COIL	
L906	073G 253 91 L	CHOKE BY LI TA	
L905	073G 253 91 L	CHOKE BY LI TA	
L907	073G 253191 H	IND CHOKE 1.1UH DADON	
T901	080GL22T 3 N1	X'FMR 490UH YUVA-1093	
T901	080GL22T 3 S1	X'FMR 490UH	
PT801	080GL24T 23 DN	X'FMR 68UH TK.2005Y.101 VOC	
CN901	087G 501 32 S	AC SOCKET	
CN901	087G 501 32 DL	AC SOCKET DIP 3PIN+2PIN GROUND	2nd Source
CN601	088G 30214K DC	PHONE JACK 5PIN	
BD901	093G 50460 28	BRIDGE DIODE KBP208G LITEON	
BD901	093G 50460514	BRIDGE KBP306G 3A/800V TSC	
D905	093G 60334	DIODE SR506 5A/60V DO-201AD	
D905	093G 60519	DIODE SR560 5A/60V DO-27 SECOS	
CN902	095G 825 9X518	HARNESS 9P(SCN)-9P(PLUG) 120MM	
	705GQ793081	D901/D906 ASS'Y	
D901	093G 52 66	DIODE FMX-12SL 10A/200V TO-220	
D901	093G 52 68	DIODE FCF10A20 10A/200V TO-220	
D901	093G 52 69	DIODE YG902C2RSC 10A/200V TO-220F15	

D906	093G 60251	FCQ10U06	
D906	093G 60526	SCHOTTKY MBRF1060CT ITO-220AB	
	0M1G 930 8120	SCREW	
HS2	Q90G6264 5	HEAT SINK	
	705GQ851001	OIL FOR DISAPPEAR ASS'Y	
	705GQA57024	Q901 ASS'Y	
Q901	057G 600 35	STP8NK80ZFP	
Q901	057G 667 21	STP10NK70ZFP	
Q901	057G 667516	FET 2SK3673 TO-220 FUJI	
Q901	057G 667924	MOSFET SMK0965F	
HS1	090G6064 1	HEAT SINK	
	0M1G 930 8120	SCREW	
	709G2892 QM001	CONSUMPTIVE ASS'Y	
	055G 2	ALCOHOL	
	055G 23524	WELDING FLUX WITHOUT PB	
	Q55G 100625	TIN STICK_LOW ARGENTUM	
IC901	056G 379160	IC FAN6752MY SOP-8	
IC801	056G 608 12	IC TA9687GN-A-0-TR SOP-16	
Q806	057G 600 61	AM4502C-TI-PF S0-8	
Q805	057G 600 61	AM4502C-TI-PF S0-8	
Q802	057G 759 2	RK7002FD5T116 SOT-23 BY ROHM	
Q806	057G 763 91	ET AO4620 7.2A/30V -5.3A/-30V SOIC-8	
Q805	057G 763 91	ET AO4620 7.2A/30V -5.3A/-30V SOIC-8	
Q802	057G 763511	MOSFET SRK7002LT1G SOT-23 LRC	
R610	061G0603000 JF	RST CHIPR MAX 0R05 1/10W FENGHUA	
R821	061G0603100 Y	RST CHIPR 10 OHM +-5% 1/10W YAGEO	
R820	061G0603100 Y	RST CHIPR 10 OHM +-5% 1/10W YAGEO	
R907	061G0603100 1F	RST CHIPR 1 KOHM +-1% 1/10W	
R918	061G0603100 2F	RST CHIPR 10K OHM +-1% 1/10W	
R807	061G0603103	RST CHIPR 10 KOHM +-5% 1/10W	
R602	061G0603103 JT	RST CHIP 10K 1/10W 5% TZAI YUAN	
R603	061G0603103 JT	RST CHIP 10K 1/10W 5% TZAI YUAN	
R604	061G0603103 JT	RST CHIP 10K 1/10W 5% TZAI YUAN	
R605	061G0603103 JT	RST CHIP 10K 1/10W 5% TZAI YUAN	
R609	061G0603103 JT	RST CHIP 10K 1/10W 5% TZAI YUAN	
R806	061G0603104	RST CHIPR 100 KOHM +-5% 1/10W	
R813	061G0603104	RST CHIPR 100 KOHM +-5% 1/10W	
R809	061G0603105	RST CHIPR 1M OHM +-5% 1/10W	
R928	061G06032002FF	RST CHIPR 20KOHM +-1% 1/10W FENGHUA	
R925	061G06032002FF	RST CHIPR 20KOHM +-1% 1/10W FENGHUA	

R916	061G06032002FF	RST CHIPR 20KOHM +-1% 1/10W FENGHUA	
R928	061G06032002FT	RST CHIP 20K 1/10W 1%	
R925	061G06032002FT	RST CHIP 20K 1/10W 1%	
R916	061G06032002FT	RST CHIP 20K 1/10W 1%	
R606	061G0603273 JT	RST CHIP 27K 1/10W 5% TZAI YUAN	
R607	061G0603273 JT	RST CHIP 27K 1/10W 5% TZAI YUAN	
R808	061G0603390 0F	RST CHIPR 390 OHM +-1% 1/10W	
R920	061G06034701FF	RST CHIPR 4.7KOHM +-1% 1/10W FENGHUA	
R920	061G06034701FT	RST CHIP 4K7 1/10W 1%	
R905	061G0603471 JF	RST CHIPR 470OHM +-5% 1/10W FENGHUA	
R905	061G0603471 JY	RST CHIPR 470 OHM 5% 1/10W YAGEO	
R836	061G0603563 Y	RST CHIPR 56KOHM +-5% 1/10W YAGEO	
R837	061G0603752	RST CHIPR 7.5 KOHM +-5% 1/10W	
RJ803	061G0805000 JF	RST CHIPR 0 OHM +-5% 1/8W FENGHUA	
RJ804	061G0805000 JF	RST CHIPR 0 OHM +-5% 1/8W FENGHUA	
R608	061G0805000 JT	RST CHIPR 0 OHM +- 5% 1/8W TZAI YUAN	
RJ803	061G0805000 JT	RST CHIPR 0 OHM +- 5% 1/8W TZAI YUAN	
RJ804	061G0805000 JT	RST CHIPR 0 OHM +- 5% 1/8W TZAI YUAN	
R801	061G08051002FF	RST CHIPR 10KOHM +-1% 1/8W FENGHUA	
R801	061G08051002FY	RST CHIPR 10KOHM +-1% 1/8W YAGEO	
R812	061G08051003FF	RST CHIPR 100KOHM +-1% 1/8W FENGHUA	
R812	061G08051003FY	RST CHIPR 100KOHM +-1% 1/8W YAGEO	
R802	061G0805220	RST CHIPR 22 OHM +-5% 1/8W	
R816	061G0805229	RST CHIP 2R2 1/8W 5%	
R817	061G0805229	RST CHIP 2R2 1/8W 5%	
R818	061G0805229	RST CHIP 2R2 1/8W 5%	
R819	061G0805229	RST CHIP 2R2 1/8W 5%	
R919	061G0805471 JF	RST CHIPR 470 OHM +-5% 1/8W FENGHUA	
R823	061G0805471 JF	RST CHIPR 470 OHM +-5% 1/8W FENGHUA	
R919	061G0805471 JT	RST CHIPR 470OHM +-5% 1/8W TZAI YUAN	
R804	061G0805512	RST CHIPR 5.1 KOHM +-5% 1/8W	
R803	061G0805512	RST CHIPR 5.1 KOHM +-5% 1/8W	
R830	061G08056801FT	RST CHIP R 6.8KOHM +-1% 1/8W	
R830	061G08056801FY	RST CHIPR 6.8KOHM +-1% 1/8W YAGEO	
R810	061G08057502FF	RST CHIPR 75KOHM +-1% 1/8W FENGHUA	
R810	061G08057502FT	RST CHIP R 75 KOHM +-1% 1/8W	
R811	061G0805820 2F	RST CHIPR 82KOHM +-1% 1/8W	
RJ814	061G1206000	RST CHIP MAX 0R05 1/4W	
RJ811	061G1206000	RST CHIP MAX 0R05 1/4W	
RJ810	061G1206000	RST CHIP MAX 0R05 1/4W	

RJ802	061G1206000		RST CHIP MAX 0R05 1/4W
RJ816	061G1206000 7		RST CHIP MAX 0R05 1/4W
R902	061G12061004FF		RST CHIPR 1 MOHM +-1% 1/4W FENGHUA
R901	061G12061004FF		RST CHIPR 1 MOHM +-1% 1/4W FENGHUA
R900	061G12061004FF		RST CHIPR 1 MOHM +-1% 1/4W FENGHUA
R900	061G12061004FT		RST CHIP R 1 MOHM +-1% 1/4W
R901	061G12061004FT		RST CHIP R 1 MOHM +-1% 1/4W
R902	061G12061004FT		RST CHIP R 1 MOHM +-1% 1/4W
R903	061G1206101		RST CHIPR 100 OHM +-5% 1/4W
R909	061G1206101		RST CHIPR 100 OHM +-5% 1/4W
R910	061G1206101		RST CHIPR 100 OHM +-5% 1/4W
R912	061G1206101		RST CHIPR 100 OHM +-5% 1/4W
R929	061G1206101		RST CHIPR 100 OHM +-5% 1/4W
R930	061G1206101		RST CHIPR 100 OHM +-5% 1/4W
R923	061G1206101 JF		RST CHIPR 100 OHM +-5% 1/4W FENGHUA
R934	061G12062003FF		RST CHIPR 200KOHM +-1% 1/4W FENGHUA
R934	061G12062003FT		RST CHIPR 200KOHM +-1% 1/4W TZAI YUAN
R908	061G1206204 JF		RST CHIPR 200KOHM +-5% 1/4W FENGHUA
R917	061G1206330 JF		RST CHIPR 33 OHM +-5% 1/4W FENGHUA
R917	061G1206330 JT		RST CHIP R 33OHM 1/4W +/-5%
R822	061G1206471 JT		RST CHIPR 470 OHM 1/4W TZAI YUAN
R913	061G1206519		RST CHIPR 5.1 OHM +-5% 1/4W
R931	061G12066804FF		RST CHIPR 6.8MOHM 1% 1/4W FENGHUA
R932	061G12066804FF		RST CHIPR 6.8MOHM 1% 1/4W FENGHUA
R933	061G12066804FF		RST CHIPR 6.8MOHM 1% 1/4W FENGHUA
C610	065G060310131J Y		CAP CHIP 0603 100P 50V NPO +/-5%
C611	065G060310131J Y		CAP CHIP 0603 100P 50V NPO +/-5%
C923	065G060310232K A		CAP CHIP 0603 1000PF K 50V X7R
C924	065G0603104 12		CER2 0603 X7R 16V 100N P
C926	065G0603104 12		CER2 0603 X7R 16V 100N P
C612	065G060310432K Y		CAP CHIP 0603 0.1UF K 50V X7R
C613	065G060310432K Y		CAP CHIP 0603 0.1UF K 50V X7R
C814	065G060322131J A		CAP 0603 220PF J 50V NPO
C810	065G060322232K A		CAP 0603 2.2NF K 50V X7R
C805	065G060322332K Y		TPV CHIP 0603 22N 50V X7R +/-10%
C807	065G060333232K F		CAP CHIP 0603 3300PF K 50V X7R
C808	065G060333332K A		CAP CHIP 0603 0.033UF K 50V X7R
C914	065G060347131J Y		CAP CHIP 0603 470P 50V NPO +/-5%
C601	065G060347412K Y		CAP CHIP 0603 0.47UF K 16V X7R
C602	065G060347412K Y		CAP CHIP 0603 0.47UF K 16V X7R

C603	065G060347412K	Y	CAP CHIP 0603 0.47UF K 16V X7R	
C606	065G060347412K	Y	CAP CHIP 0603 0.47UF K 16V X7R	
C915	065G080510232K	F	CAP CHIP 0805 1NF K 50V X7R	
C915	065G080510232K	Y	CAP CHIP 0805 1N 50V X7R +/-10%	
C912	065G080510432K	A	CAP CHIP 0805 100NF K 50V X7R	
C815	065G080510432K	A	CAP CHIP 0805 100NF K 50V X7R	
C811	065G080510432K	A	CAP CHIP 0805 100NF K 50V X7R	
C609	065G080510522K	3	CAP CHIP 0805 1U 25V X7R +/-10%	
C608	065G080510522K	3	CAP CHIP 0805 1U 25V X7R +/-10%	
C927	065G080510522K	3	CAP CHIP 0805 1U 25V X7R +/-10%	
C927	065G080510522K	T	CAP CHIP 0805 1UF K 25V X7R	
C818	065G0805155A2K	3	CAP CHIP 0805 1.5UF K 10V X7R	
C818	065G0805155A2K	M	CAP MLCC 0805 1.5UF K 10V X7R	
C818	065G0805155A2K	T	CAP CHIP 0805 1.5UF K 10V X7R	
C809	065G080522131J	Y	CAP CHIP 0805 220P 50V NPO +/-5%	
C806	065G080522512K	3	CAP CHIP 0805 2U2 16V X7R +/-10%	
C806	065G080522512K	M	MLCC 0805 CAP 2.2UF 16V X7R	
C806	065G080522512K	T	CAP CHIP 0805 2.2UF K 16V X7R	
C802	065G080547332K	F	CAP CHIP 0805 47NF K 50V X7R	
C801	065G080547332K	F	CAP CHIP 0805 47NF K 50V X7R	
C916	065G120610272K	Y	CAP CHIP 1206 1NF K 500V X7R	
C917	065G120610272K	Y	CAP CHIP 1206 1NF K 500V X7R	
C803	065G120610432K	Y	CER 1206 100N 50V X7R +/-10%	
D803	093G 64 33		DIO SIG SM BAV99 (PHSE)R	
D806	093G 64 42 L		DIODE LBAV70LT1G SOT-23 LRC	
D806	093G 64 42 PP		BAV70 SOT-23	
D803	093G 6433S		DIODE BAV99 SEMTECH	
ZD802	093G 39GA01	T	RLZ5.6B	
ZD803	093G 39GA01	T	RLZ5.6B	
ZD802	093G 39S 24	T	RLZ 5.6B LLDS	
ZD803	093G 39S 24	T	RLZ 5.6B LLDS	
D806	093G 64S 6		SMT D-BAV70-7-F SOT-23	
	709G2892 QS001		CONSUMPTIVE ASS'Y	
	052G 2191 A		PAPER TAPE	
CN901	006G 31500		EYELET	
PT801	006G 31502		1.5MM RIVET	
IC903	056G 158 10	T	IC AS431AZTR-E1 TO-92	
IC903	056G 158 12		KIA431A-AT/P TO-92	
Q904	057G 530503	T	2SD1207T	
Q904	057G 761 16		TRA KTD1028 KEC	

R906	061G152M10452T	RST MOFR 100KOHM +-5% 2WS	
R906	061G152M10452T XZ	RST MOFR 100KOHM +-5% 2WS XIANZHENG	
R924	061G152M33852T	RST MOFR 0.33 OHM +-5% 2WS	
R911	061G152M68152T	RST MOFR 680 OHM +-5% 2WS	
R915	061G152M68152T	RST MOFR 680 OHM +-5% 2WS	
R828	061G212Y62552T HX	RST MGFR 6.2MOHM +-5% 1/2W	
R828	061G212Y62552T SY	RST MGFR 6.2MOHM +-5% 1/2W FUTABA	
C911	065G 2K152 2T6213	CAP CER 1500PF K 2KV	
C911	065G 2K152 2T6921	CAP CER 1500PF K 2KV Y5P	
C920	067G 2046812KT	CS CAP 680UF 10V 8*11 MM	
C913	067G215S2207RT	EC 22UF 50V 5*11MM	
C913	067G215Y2207KT	CAP 105°C 22UF M 50V KINGNICH	
FB902	071G 55 9 T	FERRITE BEAD	
FB602	071G 55 9 T	FERRITE BEAD	
FB901	071G 55 29	FERRITE BEAD	
F901	084G 56 4 B	FUSE 4A 250V	
F902	084G 56 4 B	FUSE 4A 250V	
F903	084G 56 4 B	FUSE 4A 250V	
F901	084G 56 4W	FUSE 4.0A 250V	
F902	084G 56 4W	FUSE 4.0A 250V	
ZD901	093G 3952152T	TZX18B	
D903	093G 6026T52T	RECTIFIER DIODE FR107	
D904	093G 6038T52T	FR103	
D801	093G 64 1152T	1N4148	
D801	093G 6452452T	DIODE 1N4148-B4006 DO-35 SEMTECH	
D903	093G110050152T	DIODE PR1007 1A/1000V 500NS DO-41	
J903	095G 90 23	JUMPER WIRE	
J902	095G 90 23	JUMPER WIRE	
J901	095G 90 23	JUMPER WIRE	
J823	095G 90 23	JUMPER WIRE	
J822	095G 90 23	JUMPER WIRE	
J816	095G 90 23	JUMPER WIRE	
J817	095G 90 23	JUMPER WIRE	
J818	095G 90 23	JUMPER WIRE	
J819	095G 90 23	JUMPER WIRE	
J912	095G 90 23	JUMPER WIRE	
J608	095G 90 23	JUMPER WIRE	
J607	095G 90 23	JUMPER WIRE	
J606	095G 90 23	JUMPER WIRE	
J605	095G 90 23	JUMPER WIRE	

J603	095G 90 23	JUMPER WIRE	
J602	095G 90 23	JUMPER WIRE	
J601	095G 90 23	JUMPER WIRE	
J908	095G 90 23	JUMPER WIRE	
J921	095G 90 23	JUMPER WIRE	
J911	095G 90 23	JUMPER WIRE	
J910	095G 90 23	JUMPER WIRE	
J909	095G 90 23	JUMPER WIRE	
J907	095G 90 23	JUMPER WIRE	
J906	095G 90 23	JUMPER WIRE	
J905	095G 90 23	JUMPER WIRE	
J904	095G 90 23	JUMPER WIRE	
J810	095G 90 23	JUMPER WIRE	
J806	095G 90 23	JUMPER WIRE	
J604	095G 90 23	JUMPER WIRE	
C821	095G 90 23	JUMPER WIRE	
C819	095G 90 23	JUMPER WIRE	
	709G2892 QA001	CONSUMPTIVE ASS'Y	
	095G 90 23	JUMPER WIRE	
	715G2892P02016001S	POWER PCB 122X184X1.6MM FR-1 S/S 1OZ	
HS3	Q90G6295 3	HEAT SINK	
T901	S80GL22T3V1	XFMR POWER 490UH TPV-PT	
PT801	S80GL24T23V	XFMR POWER 68UH TPV-PT VOC	
	052FP5MB040026	MYLAR	
	Q12G6600 6	FOOT	
	Q40G 23N61513B	RATING LABEL	
	Q40G0003615A51	LABEL -POP LABEL(EPA+EPEAT SILVER+WIN 7)	
	Q40G0003615A53	LABEL -USB LABEL 27WX12H MM	
	Q41G78S161547A	E941VWA, 2341VA ,E2241VWA QSG	
	Q44GD053101	EPS	
	Q44GD053201	EPS	
	Q44GD053615 3B	23 LCD CARTON	
	Q45G 88609198	3002BAG	
	USB9QA1	USB BOARD G3501-A-X-X-1-090113	
CN501	033G3802 5B Y L	CONN 2.0 5P	
CN502	088G 351 2B TN	USB CONN	
CN502	088G 351 2B XH	USB CONN	2nd Source
CN502	088G 3512B1 CL	USB CONN BLACK	2nd Source
C503	065G0603104 12	CER2 0603 X7R 16V 100N P	
C501	065G060350931J F	CAP CHIP 0603 5PF J 50V NPO	

C502	065G060350931J F	CAP CHIP 0603 5PF J 50V NPO	
FB501	071G 56K121 M	CHIP BEAD	
	709G3501 QS001	CONSUMPTIVE ASS'Y	
	715G3501 2	USB PCB 18X40X1.6MM FR-1 S/S 1OZ	
	USB9QA7	USB BOARD G2663-T0C-001-0010-1-100316	
CN511	033G3802 5B YH L	CONNECTOR 5P 2.0	
CN511	033G3802 5B YH W	WAFER	2nd Source
CN512	088G 352 2 TN	USB CONN	
CN512	088G 352 2 XH	USB CONN	2nd Source
E715	715G2663T01001001C	USB PCB 71X26X1.6MM FR-1 S/S 1OZ	2nd Source
E715	715G2663T01001001M	USB PCB 71X26X1.6MM FR-1 S/S 1OZ	2nd Source
E715	715G2663T01001001S	USB PCB 71X26X1.6MM FR-1 S/S 1OZ	
	089G 17356G553	AUDIO CABLE 1800MM	
	Q45G2010M0201A	PE BAG	
	Q70G23C1615 4A	2341VA CD	
	040G 58162435A	P/N LABEL FOR MANUAL PE BAG	
	040G 581689 4A	BARCODE LABEL FOR 1	
	Q40G000161515A	CARTON LABEL	

2341Sa TDASNTEBWVA1UN

Location	Part No.	Description	Remark
	052G 1209 A	TASMA ALUMINIOWA	
	052G 1211 A	TASMA ALUMINIOWA	
	052G 1211 B	TASMA ALUMINIOWA	
	052G 2191 A	PAPER TAPE	
	052G6019 1	INSULATING TAPE	
	078G0025501 YA	SPK 4 OHM 2.5W 48X28 220 140 SUNLINK	
	089G 175 8 G	FQE41177F USB CABLE 1800MM A+B	
	089G 725HAADB	D-SUB CABLE 1500MM	
	089G179J30N576	FFC CABLE	
E08901	089G404A15N HL	AC POWER CORD 1500MM	
E08901	089G404A15N IS	AC POWER CORD 1500	2nd source
E09501	095G8014 5DH15	HARNESS 5P(2008)-5P(2008) 300MM	2nd source
E09501	095G8014 5XH15	HARNESS 5P(2008)-5P(2008) 300MM	
	095G8014 6WH13	WIRE HARNESS 6P(PLUG)-6P(A1253HA HR)	
	0D1G1030 8120	SCREW	
	0D1G1030 8120	SCREW	
	0M1G 930 5120	SCREW	
	0M1G1740 10225 CR3	SCREW 4.0X10.0	
	0Q1G 930 6120	SCREW 3X6MM	
	708GD053 CP	AOC 40(1520)	
	Q45G 77 5	PE PACKING (Y1900241)	
	Q50G 4 10	TIE (Y1900221)	
	Q52G 1185 99	BIG CARTON TAPE FOR AOC	
	708GD05301S	AOC 40 (1615)	
	Q45G 77 5	PE PACKING (Y1900241)	
	Q50G 4 10	TIE (Y1900221)	
	Q52G 1185 99	BIG CARTON TAPE FOR AOC	
	750GLS230HT312N000	PANEL LTM230HT03 C01 SZ SEC	
	756GQACB AA040 00	MAIN BOARD-CBPCANTA1QN	
U402	056G1133 90 1	IC PM25LV020-100SCE 2MB SOIC-8 PMC	
SMTCA-U402	100GANS003YT1	MCU ASS'Y-056G1133 90 1	
	A15G1195101003	MAIN_FRAME --	
	A15G1211101	BRACKET HOLDER	
	A33G0928AFR 1L0100	EAR PHONE STAND	
	A34G1858AEDC1B0100	BEZEL L23WA-T41	
	A34G1859AFRA2B0100	REAR COVER	
	A37G0167011	HINGE	
	AM1G1740 10225 CR3	SCREW	

	040G 45762412B	CBPC LABEL	
CN402	033G3802 6B Y	CONN 6PIN 2.0	
CN701	033G3802 9B Y	CONNECTOR 9P 2.0	
CN408	033G801930F CH JS	CONNECTOR	
R707	061G152M479 64 SY	RST MOFR 4.7 OHM +-5% 2WS FUTABA	
CN101	088G 35315F HD	D-SUB CONN F ATTACHED SCREW	
X401	093G 2251B J	CRYSTAL 12MHZ NXS12.000AC30F-KAB10	
C716	067G 3051007PB	EC 10UF 20% 50V 5*11	
C433	067G 3051013PB	EC 105C 100UF M 16V 5*11MM	
C702	067G 3051013PB	EC 105C 100UF M 16V 5*11MM	
C710	067G 3051013PB	EC 105C 100UF M 16V 5*11MM	
C705	067G 3051013PB	EC 105C 100UF M 16V 5*11MM	
U401	056G 562281	IC NT68668UFG/C QFP-128	
U703	056G 563206	IC LDO AP2114H-1.8TRG1 1A/1.8V SOT-223	
U701	056G 563224	IC LDO AP2114H-3.3TRG1 1A/3.3V SOT-223	
U103	056G 662504	IC ESD AOZ8902CIL 24KV 5A SOT23-6 AOS	
U102	056G 662504	IC ESD AOZ8902CIL 24KV 5A SOT23-6 AOS	
U402	056G1133 90 1	IC PM25LV020-100SCE 2MB SOIC-8 PMC	
U101	056G1133918	NO-SUGGEST AT24C02BN-SH-T 2KB SO-8	
Q706	057G 417 12 T	KEC 2N3904S-RTK/PS	
Q701	057G 417 12 T	KEC 2N3904S-RTK/PS	
Q402	057G 417 13 T	KEC 2N3906S-RTK/PS	
Q401	057G 417 13 T	KEC 2N3906S-RTK/PS	
Q705	057G 763940	MOSFET AO3401A SOT-23	
R110	061G0402000 JF	RST CHIPR MAX0R05 1/16W FENGHUA	
R117	061G0402000 JF	RST CHIPR MAX0R05 1/16W FENGHUA	
R109	061G0402000 JF	RST CHIPR MAX0R05 1/16W FENGHUA	
R104	061G0402000 JF	RST CHIPR MAX0R05 1/16W FENGHUA	
R103	061G0402000 JF	RST CHIPR MAX0R05 1/16W FENGHUA	
R118	061G0402000 JF	RST CHIPR MAX0R05 1/16W FENGHUA	
R406	061G0402000 JF	RST CHIPR MAX0R05 1/16W FENGHUA	
R407	061G0402000 JF	RST CHIPR MAX0R05 1/16W FENGHUA	
R711	061G0402000 JT	RST CHIPR MAX0R05 1/16W TZAI YUAN	
R410	061G0402000 JT	RST CHIPR MAX0R05 1/16W TZAI YUAN	
R409	061G0402000 JT	RST CHIPR MAX0R05 1/16W TZAI YUAN	
R407	061G0402000 JT	RST CHIPR MAX0R05 1/16W TZAI YUAN	
R406	061G0402000 JT	RST CHIPR MAX0R05 1/16W TZAI YUAN	
R118	061G0402000 JT	RST CHIPR MAX0R05 1/16W TZAI YUAN	
R117	061G0402000 JT	RST CHIPR MAX0R05 1/16W TZAI YUAN	
R110	061G0402000 JT	RST CHIPR MAX0R05 1/16W TZAI YUAN	

R109	061G0402000 JT	RST CHIPR MAX0R05 1/16W TZAI YUAN	
R104	061G0402000 JT	RST CHIPR MAX0R05 1/16W TZAI YUAN	
R103	061G0402000 JT	RST CHIPR MAX0R05 1/16W TZAI YUAN	
R101	061G0402101 JF	RST CHIPR 100 OHM +-5% 1/16W FENGHUA	
R102	061G0402101 JF	RST CHIPR 100 OHM +-5% 1/16W FENGHUA	
R105	061G0402101 JF	RST CHIPR 100 OHM +-5% 1/16W FENGHUA	
R106	061G0402101 JF	RST CHIPR 100 OHM +-5% 1/16W FENGHUA	
R703	061G0402101 JF	RST CHIPR 100 OHM +-5% 1/16W FENGHUA	
R439	061G0402101 JF	RST CHIPR 100 OHM +-5% 1/16W FENGHUA	
R431	061G0402101 JF	RST CHIPR 100 OHM +-5% 1/16W FENGHUA	
R124	061G0402101 JF	RST CHIPR 100 OHM +-5% 1/16W FENGHUA	
R123	061G0402101 JF	RST CHIPR 100 OHM +-5% 1/16W FENGHUA	
R121	061G0402101 JF	RST CHIPR 100 OHM +-5% 1/16W FENGHUA	
R119	061G0402101 JF	RST CHIPR 100 OHM +-5% 1/16W FENGHUA	
R113	061G0402101 JF	RST CHIPR 100 OHM +-5% 1/16W FENGHUA	
R111	061G0402101 JF	RST CHIPR 100 OHM +-5% 1/16W FENGHUA	
R108	061G0402101 JF	RST CHIPR 100 OHM +-5% 1/16W FENGHUA	
R121	061G0402101 JT	RST CHIP 100R 1/16W 5% TZAI YUAN	
R123	061G0402101 JT	RST CHIP 100R 1/16W 5% TZAI YUAN	
R124	061G0402101 JT	RST CHIP 100R 1/16W 5% TZAI YUAN	
R431	061G0402101 JT	RST CHIP 100R 1/16W 5% TZAI YUAN	
R439	061G0402101 JT	RST CHIP 100R 1/16W 5% TZAI YUAN	
R703	061G0402101 JT	RST CHIP 100R 1/16W 5% TZAI YUAN	
R712	061G0402101 JT	RST CHIP 100R 1/16W 5% TZAI YUAN	
R798	061G0402101 JT	RST CHIP 100R 1/16W 5% TZAI YUAN	
R119	061G0402101 JT	RST CHIP 100R 1/16W 5% TZAI YUAN	
R113	061G0402101 JT	RST CHIP 100R 1/16W 5% TZAI YUAN	
R111	061G0402101 JT	RST CHIP 100R 1/16W 5% TZAI YUAN	
R108	061G0402101 JT	RST CHIP 100R 1/16W 5% TZAI YUAN	
R106	061G0402101 JT	RST CHIP 100R 1/16W 5% TZAI YUAN	
R105	061G0402101 JT	RST CHIP 100R 1/16W 5% TZAI YUAN	
R102	061G0402101 JT	RST CHIP 100R 1/16W 5% TZAI YUAN	
R101	061G0402101 JT	RST CHIP 100R 1/16W 5% TZAI YUAN	
R424	061G0402102 JF	RST CHIPR 1KOHM +-5% 1/16W FENGHUA	
R424	061G0402102 JT	RST CHIP 1K 1/16W 5% TZAI YUAN	
R799	061G0402103 JF	RST CHIPR 10KOHM +-5% 1/16W FENGHUA	
R714	061G0402103 JF	RST CHIPR 10KOHM +-5% 1/16W FENGHUA	
R704	061G0402103 JF	RST CHIPR 10KOHM +-5% 1/16W FENGHUA	
R444	061G0402103 JF	RST CHIPR 10KOHM +-5% 1/16W FENGHUA	
R429	061G0402103 JF	RST CHIPR 10KOHM +-5% 1/16W FENGHUA	

R429	061G0402103 JT	RST CHIP 10K 1/16W 5% TZAI YUAN	
R444	061G0402103 JT	RST CHIP 10K 1/16W 5% TZAI YUAN	
R704	061G0402103 JT	RST CHIP 10K 1/16W 5% TZAI YUAN	
R714	061G0402103 JT	RST CHIP 10K 1/16W 5% TZAI YUAN	
R799	061G0402103 JT	RST CHIP 10K 1/16W 5% TZAI YUAN	
R415	061G0402104 JF	RST CHIPR 100KOHM +-5% 1/16W FENGHUA	
R422	061G0402104 JF	RST CHIPR 100KOHM +-5% 1/16W FENGHUA	
R715	061G0402104 JF	RST CHIPR 100KOHM +-5% 1/16W FENGHUA	
R415	061G0402104 JT	RST CHIP 100K 1/16W 5% TZAI YUAN	
R422	061G0402104 JT	RST CHIP 100K 1/16W 5% TZAI YUAN	
R715	061G0402104 JT	RST CHIP 100K 1/16W 5% TZAI YUAN	
R432	061G0402105 JF	RST CHIPR 1MOHM 5% 1/16W FENGHUA	
R432	061G0402105 JT	RST CHIP R 1MOHM 1/16W +/-5% TZAI YUAN	
R125	061G0402222 JF	RST CHIPR 2.2KOHM +-5% 1/16W FENGHUA	
R126	061G0402222 JF	RST CHIPR 2.2KOHM +-5% 1/16W FENGHUA	
R125	061G0402222 JT	RST CHIP 2K2 1/16W 5% TZAI YUAN	
R126	061G0402222 JT	RST CHIP 2K2 1/16W 5% TZAI YUAN	
R719	061G0402223 JF	RST CHIPR 22KOHM 5% 1/16W FENGHUA	
R701	061G0402223 JF	RST CHIPR 22KOHM 5% 1/16W FENGHUA	
R427	061G0402223 JF	RST CHIPR 22KOHM 5% 1/16W FENGHUA	
R425	061G0402223 JF	RST CHIPR 22KOHM 5% 1/16W FENGHUA	
R116	061G0402223 JF	RST CHIPR 22KOHM 5% 1/16W FENGHUA	
R116	061G0402223 JT	RST CHIP 22K 1/16W 5% TZAI YUAN	
R427	061G0402223 JT	RST CHIP 22K 1/16W 5% TZAI YUAN	
R701	061G0402223 JT	RST CHIP 22K 1/16W 5% TZAI YUAN	
R719	061G0402223 JT	RST CHIP 22K 1/16W 5% TZAI YUAN	
R425	061G0402223 JT	RST CHIP 22K 1/16W 5% TZAI YUAN	
R416	061G0402224 JT	RST CHIP 220K 1/16W 5% TZAI YUAN	
R416	061G0402224 JY	RST CHIPR 220KOHM +-5% 1/16W YAGEO	
R401	061G0402392 JF	RST CHIPR 3.9KOHM +-5% 1/16W FENGHUA	
R404	061G0402392 JF	RST CHIPR 3.9KOHM +-5% 1/16W FENGHUA	
R405	061G0402392 JF	RST CHIPR 3.9KOHM +-5% 1/16W FENGHUA	
R405	061G0402392 JT	RST CHIP R 3K9 +/-5% 1/16W TZAI YUAN	
R404	061G0402392 JT	RST CHIP R 3K9 +/-5% 1/16W TZAI YUAN	
R401	061G0402392 JT	RST CHIP R 3K9 +/-5% 1/16W TZAI YUAN	
R419	061G0402394 JY	RST CHIP R 390K +/-5% 1/16W YAGEO	
R408	061G04024700FT	RST CHIP 470R 1/16W 1%	
R408	061G04024700FY	RST CHIP 470R 1/16W 1%	
R142	061G0402471 JF	RST CHIPR 470 OHM 5% 1/16W FENGHUA	
R142	061G0402471 JT	RST CHIP 470R 1/16W 5% TZAI YUAN	

R114	061G0402472 JF	RST CHIPR 4.7KOHM +-5% 1/16W FENGHUA	
R115	061G0402472 JF	RST CHIPR 4.7KOHM +-5% 1/16W FENGHUA	
R702	061G0402472 JF	RST CHIPR 4.7KOHM +-5% 1/16W FENGHUA	
R721	061G0402472 JF	RST CHIPR 4.7KOHM +-5% 1/16W FENGHUA	
R114	061G0402472 JT	RST CHIP 4K7 1/16W 5% TZAI YUAN	
R115	061G0402472 JT	RST CHIP 4K7 1/16W 5% TZAI YUAN	
R411	061G0402472 JT	RST CHIP 4K7 1/16W 5% TZAI YUAN	
R413	061G0402472 JT	RST CHIP 4K7 1/16W 5% TZAI YUAN	
R702	061G0402472 JT	RST CHIP 4K7 1/16W 5% TZAI YUAN	
R721	061G0402472 JT	RST CHIP 4K7 1/16W 5% TZAI YUAN	
R120	061G04027509FF	RST CHIPR 75 OHM +-1% 1/16W FENGHUA	
R112	061G04027509FF	RST CHIPR 75 OHM +-1% 1/16W FENGHUA	
R107	061G04027509FF	RST CHIPR 75 OHM +-1% 1/16W FENGHUA	
R120	061G04027509FT	RST CHIP 75R 1/16W 1%	
R112	061G04027509FT	RST CHIP 75R 1/16W 1%	
R107	061G04027509FT	RST CHIP 75R 1/16W 1%	
R122	061G0603000 JF	RST CHIPR MAX 0R05 1/10W FENGHUA	
R122	061G0603000 JT	RST CHIP MAX 0R05 1/10W TZAI YUAN	
R418	061G0603152 JF	RST CHIPR 1.5KOHM +-5% 1/10W FENGHUA	
R418	061G0603152 JT	RST CHIP 1K5 1/10W 5% TZAI YUAN	
R417	061G0603471 JF	RST CHIPR 470OHM +-5% 1/10W FENGHUA	
R417	061G0603471 JT	RST CHIPR 470OHM +-5% 1/10W TZAI YUAN	
FB701	061G0805000 JT	RST CHIPR 0 OHM +- 5% 1/8W TZAI YUAN	
R449	061G1206221 JF	RST CHIPR 220 OHM +-5% 1/4W FENGHUA	
R448	061G1206221 JF	RST CHIPR 220 OHM +-5% 1/4W FENGHUA	
R449	061G1206221 JT	RST CHIPR 220 OHM +-5% 1/4W TZAI YUAN	
R448	061G1206221 JT	RST CHIPR 220 OHM +-5% 1/4W TZAI YUAN	
C120	065G040210232K T	CAP CHIP 0402 1000PF 50V X7R	
C120	065G040210232K Y	CAP CHIP 0402 1N 50V X7R +/-10%	
C411	065G040210425K 3	CAP CHIP 0402 100N 25V X5R +/-10%	
C410	065G040210425K 3	CAP CHIP 0402 100N 25V X5R +/-10%	
C409	065G040210425K 3	CAP CHIP 0402 100N 25V X5R +/-10%	
C408	065G040210425K 3	CAP CHIP 0402 100N 25V X5R +/-10%	
C713	065G040210425K 3	CAP CHIP 0402 100N 25V X5R +/-10%	
C407	065G040210425K 3	CAP CHIP 0402 100N 25V X5R +/-10%	
C405	065G040210425K 3	CAP CHIP 0402 100N 25V X5R +/-10%	
C403	065G040210425K 3	CAP CHIP 0402 100N 25V X5R +/-10%	
C402	065G040210425K 3	CAP CHIP 0402 100N 25V X5R +/-10%	
C401	065G040210425K 3	CAP CHIP 0402 100N 25V X5R +/-10%	
C114	065G040210425K 3	CAP CHIP 0402 100N 25V X5R +/-10%	

C113	065G040210425K	3	CAP CHIP 0402 100N 25V X5R +/-10%	
C712	065G040210425K	3	CAP CHIP 0402 100N 25V X5R +/-10%	
C707	065G040210425K	3	CAP CHIP 0402 100N 25V X5R +/-10%	
C706	065G040210425K	3	CAP CHIP 0402 100N 25V X5R +/-10%	
C704	065G040210425K	3	CAP CHIP 0402 100N 25V X5R +/-10%	
C703	065G040210425K	3	CAP CHIP 0402 100N 25V X5R +/-10%	
C701	065G040210425K	3	CAP CHIP 0402 100N 25V X5R +/-10%	
C434	065G040210425K	3	CAP CHIP 0402 100N 25V X5R +/-10%	
C427	065G040210425K	3	CAP CHIP 0402 100N 25V X5R +/-10%	
C425	065G040210425K	3	CAP CHIP 0402 100N 25V X5R +/-10%	
C422	065G040210425K	3	CAP CHIP 0402 100N 25V X5R +/-10%	
C419	065G040210425K	3	CAP CHIP 0402 100N 25V X5R +/-10%	
C418	065G040210425K	3	CAP CHIP 0402 100N 25V X5R +/-10%	
C417	065G040210425K	3	CAP CHIP 0402 100N 25V X5R +/-10%	
C412	065G040210425K	3	CAP CHIP 0402 100N 25V X5R +/-10%	
C405	065G040210425K	T	CAP 0402 0.1UF 10% 25V X5R	
C407	065G040210425K	T	CAP 0402 0.1UF 10% 25V X5R	
C408	065G040210425K	T	CAP 0402 0.1UF 10% 25V X5R	
C713	065G040210425K	T	CAP 0402 0.1UF 10% 25V X5R	
C712	065G040210425K	T	CAP 0402 0.1UF 10% 25V X5R	
C707	065G040210425K	T	CAP 0402 0.1UF 10% 25V X5R	
C706	065G040210425K	T	CAP 0402 0.1UF 10% 25V X5R	
C704	065G040210425K	T	CAP 0402 0.1UF 10% 25V X5R	
C703	065G040210425K	T	CAP 0402 0.1UF 10% 25V X5R	
C701	065G040210425K	T	CAP 0402 0.1UF 10% 25V X5R	
C434	065G040210425K	T	CAP 0402 0.1UF 10% 25V X5R	
C427	065G040210425K	T	CAP 0402 0.1UF 10% 25V X5R	
C425	065G040210425K	T	CAP 0402 0.1UF 10% 25V X5R	
C419	065G040210425K	T	CAP 0402 0.1UF 10% 25V X5R	
C422	065G040210425K	T	CAP 0402 0.1UF 10% 25V X5R	
C417	065G040210425K	T	CAP 0402 0.1UF 10% 25V X5R	
C418	065G040210425K	T	CAP 0402 0.1UF 10% 25V X5R	
C409	065G040210425K	T	CAP 0402 0.1UF 10% 25V X5R	
C410	065G040210425K	T	CAP 0402 0.1UF 10% 25V X5R	
C411	065G040210425K	T	CAP 0402 0.1UF 10% 25V X5R	
C412	065G040210425K	T	CAP 0402 0.1UF 10% 25V X5R	
C113	065G040210425K	T	CAP 0402 0.1UF 10% 25V X5R	
C114	065G040210425K	T	CAP 0402 0.1UF 10% 25V X5R	
C401	065G040210425K	T	CAP 0402 0.1UF 10% 25V X5R	
C402	065G040210425K	T	CAP 0402 0.1UF 10% 25V X5R	

C403	065G040210425K	T	CAP 0402 0.1UF 10% 25V X5R	
C406	065G0402105A5K	3	CAP CHIP 0402 1UF K 10V X5R	
C414	065G0402105A5K	3	CAP CHIP 0402 1UF K 10V X5R	
C415	065G0402105A5K	3	CAP CHIP 0402 1UF K 10V X5R	
C424	065G0402105A5K	3	CAP CHIP 0402 1UF K 10V X5R	
C406	065G0402105A5K	T	CAP CHIP 0402 1UF K 10V X5R	
C414	065G0402105A5K	T	CAP CHIP 0402 1UF K 10V X5R	
C415	065G0402105A5K	T	CAP CHIP 0402 1UF K 10V X5R	
C424	065G0402105A5K	T	CAP CHIP 0402 1UF K 10V X5R	
C428	065G040222031J	A	CAP 0402 22PF J 50V NPO	
C426	065G040222031J	A	CAP 0402 22PF J 50V NPO	
C182	065G040222031J	A	CAP 0402 22PF J 50V NPO	
C181	065G040222031J	A	CAP 0402 22PF J 50V NPO	
C181	065G040222031J	T	CAP CHIP 0402 22PF J 50V NPO	
C182	065G040222031J	T	CAP CHIP 0402 22PF J 50V NPO	
C181	065G040222031J	T	CAP CHIP 0402 22PF J 50V NPO	
C182	065G040222031J	T	CAP CHIP 0402 22PF J 50V NPO	
C426	065G040222031J	T	CAP CHIP 0402 22PF J 50V NPO	
C428	065G040222031J	T	CAP CHIP 0402 22PF J 50V NPO	
C718	065G040222415K	A	NO-SUGGEST 0402 0.22UF K 16V X5R	
C715	065G040222415K	A	NO-SUGGEST 0402 0.22UF K 16V X5R	
C429	065G040222415K	A	NO-SUGGEST 0402 0.22UF K 16V X5R	
C101	065G040222415K	A	NO-SUGGEST 0402 0.22UF K 16V X5R	
C101	065G040222415K	T	CAP CHIP 0402 220NF K 16V X5R	
C429	065G040222415K	T	CAP CHIP 0402 220NF K 16V X5R	
C715	065G040222415K	T	CAP CHIP 0402 220NF K 16V X5R	
C718	065G040222415K	T	CAP CHIP 0402 220NF K 16V X5R	
C101	065G040222415K	T	CAP CHIP 0402 220NF K 16V X5R	
C429	065G040222415K	T	CAP CHIP 0402 220NF K 16V X5R	
C715	065G040222415K	T	CAP CHIP 0402 220NF K 16V X5R	
C718	065G040222415K	T	CAP CHIP 0402 220NF K 16V X5R	
C102	065G040247312K	A	8.31HIP 0402 47NF K 16V X7R	
C104	065G040247312K	A	8.31HIP 0402 47NF K 16V X7R	
C105	065G040247312K	A	8.31HIP 0402 47NF K 16V X7R	
C107	065G040247312K	A	8.31HIP 0402 47NF K 16V X7R	
C108	065G040247312K	A	8.31HIP 0402 47NF K 16V X7R	
C110	065G040247312K	A	8.31HIP 0402 47NF K 16V X7R	
C110	065G040247312K	T	CAP 0402 47NF 10% 16V X7R	
C108	065G040247312K	T	CAP 0402 47NF 10% 16V X7R	
C107	065G040247312K	T	CAP 0402 47NF 10% 16V X7R	

C105	065G040247312K	T	CAP 0402 47NF 10% 16V X7R	
C104	065G040247312K	T	CAP 0402 47NF 10% 16V X7R	
C102	065G040247312K	T	CAP 0402 47NF 10% 16V X7R	
C109	065G040250931C	3	CAP CHIP 0402 5PF 50V NPO +/-0.25PF	
C106	065G040250931C	3	CAP CHIP 0402 5PF 50V NPO +/-0.25PF	
C103	065G040250931C	3	CAP CHIP 0402 5PF 50V NPO +/-0.25PF	
C103	065G040250931C	Y	CAP CHIP 0402 5PF 50V NPO +/-0.25PF	
C106	065G040250931C	Y	CAP CHIP 0402 5PF 50V NPO +/-0.25PF	
C109	065G040250931C	Y	CAP CHIP 0402 5PF 50V NPO +/-0.25PF	
C404	065G0805475A2K	3	CAP CHIP 4.7UF 10V X7R +/- 10%	
C413	065G0805475A2K	3	CAP CHIP 4.7UF 10V X7R +/- 10%	
C416	065G0805475A2K	3	CAP CHIP 4.7UF 10V X7R +/- 10%	
C421	065G0805475A2K	3	CAP CHIP 4.7UF 10V X7R +/- 10%	
C423	065G0805475A2K	3	CAP CHIP 4.7UF 10V X7R +/- 10%	
C423	065G0805475A2K	T	CAP CHIP 0805 4.7UF K 10V X7R	
C421	065G0805475A2K	T	CAP CHIP 0805 4.7UF K 10V X7R	
C416	065G0805475A2K	T	CAP CHIP 0805 4.7UF K 10V X7R	
C413	065G0805475A2K	T	CAP CHIP 0805 4.7UF K 10V X7R	
C404	065G0805475A2K	T	CAP CHIP 0805 4.7UF K 10V X7R	
FB409	071G 56K121		CHIP BEAD	
FB404	071G 56V301	B	CHIP BEAD 0805 300OHM BULLWILL	
FB405	071G 56V301	B	CHIP BEAD 0805 300OHM BULLWILL	
FB401	071G 56V301	B	CHIP BEAD 0805 300OHM BULLWILL	
FB408	071G 56V301	B	CHIP BEAD 0805 300OHM BULLWILL	
FB403	071G 56V301	B	CHIP BEAD 0805 300OHM BULLWILL	
FB402	071G 56V301	B	CHIP BEAD 0805 300OHM BULLWILL	
D101	093G 64 42	P	BAV70 SOT23 BY PAN JIT	
ZD101	093G 39GA01	T	RLZ5.6B	
E715	715G3737M02000004K		MAIN PCB FR4 DS 80X72X1.6MM	2nd source
E715	715G3737M02000004L		MAIN PCB FR4 DS 80X72X1.6MM	
	J33G8B42	1 1C0100	KEY PAD	
	J33G8B43AFR	1L0100	KEY PAD HOLDER	
	J33G8B46AFR	1L0100	WEB CAM COVER	
	J34G8B57AED	1B0100	BASE	
	J34G8B63AED	1B0100	STAND TOP	
	J34G8B64AED	1B0100	STAND	
	KEPC9QC5		KEY BOARD	
SW001	077G 5005A1	XL	DOME SW 5 3703701	
CN001	033G8032	6F X	WAFER 6P 1.25MM	
CN001	033G8032	6F HR	CONNECTOR 6P 1.25	2nd source

R003	061G0603000 FT	RST CHIPR MAX 0R01 1/10W TZAI YUAN	
R003	061G0603000 JF	RST CHIPR MAX 0R05 1/10W FENGHUA	
R005	061G0603102 JF	RST CHIPR 1K OHM +-5% 1/10W FENGHUA	
R005	061G0603102 JT	RST CHIP 1K 1/10W 5% TZAI YUAN	
R002	061G0603202 JF	RST CHIPR 2K OHM +-5% 1/10W FENGHUA	
R004	061G0603202 JF	RST CHIPR 2K OHM +-5% 1/10W FENGHUA	
R002	061G0603202 JT	RST CHIPR 2KOHM 1/10W TZAI YUAN	
R004	061G0603202 JT	RST CHIPR 2KOHM 1/10W TZAI YUAN	
C003	065G060310232K A	CAP CHIP 0603 1000PF K 50V X7R	
C004	065G060310232K A	CAP CHIP 0603 1000PF K 50V X7R	
C004	065G060310232K F	CAP CHIP 0603 1NF K 50V X7R	
C003	065G060310232K F	CAP CHIP 0603 1NF K 50V X7R	
LED01	081G 14501 GP	LED GPTD1210YGC3-HB	
	715G4007K01000004F	KEY PCB FR-4 106.5X14.5MM T1.6MM	
	PWPC9B41MYD2	POWER BOARD G2892-P02-016-X-3-100329	
	040G 45762412B	CBPC LABEL	
GND1	009G6005 1	GROUND TERMINAL	
CN602	033G3802 4 BH F	CONNECTOR	
CN602	033G3802 4 BH L	CONN 2.0MM 4P	2nd source
CN801	033G8021 2E F	CONNECTOR	
CN803	033G8021 2E F	CONNECTOR	
CN801	033G8021 2E XY	CONNECTOR	2nd source
CN803	033G8021 2E XY	CONNECTOR	2nd source
IC902	056G 139 3A	PC123Y22FZOF SHARP	
IC902	056G 139900	PHOTO COUPLER TLP421F	
IC601	056G 616 51	IC APA2071JI-TUG 3.1W DIP-16	
NR901	061G 58100 WD	RST NTCR 10 OHM +-20% 5A THINKING	
C908	063G107K334 6S	0.33UF +-10%	
C908	063G107K334 US	NO-SUGGEST 0.33UF 275VAC+-10% EUROP	
C817	065G 6J2096ET	2PF 5% SL 6KV	
C902	065G305M1022BP	CAP Y2 1000PF M 250VAC	
C903	065G305M1022BP	CAP Y2 1000PF M 250VAC	
C900	065G306M3322BP	Y1 CAP 3300PF M 250VAC	
C804	067G215A1024KV	EC 1000UF 25V 12.5*20MM	
C918	067G215A1024KV	EC 1000UF 25V 12.5*20MM	
C918	067G215A1024LV	EC 1000UF 20% 25V 12.5*20	
C804	067G215A1024LV	EC 1000UF 20% 25V 12.5*20	
C925	067G215D4714KV	EC 105C CAP 470UF M 25V	
C925	067G215D4714LV	LOW ESR EC 470UF 25V M 10*16MM	
C921	067G215S1023KV	105C 1000UF M 16V	

C922	067G215S4713KV	EC 105°C CAP 470UF M 16V	
C922	067G215S4713LV	LOW ESR EC 470UF 16V M 10*12.5MM	
C604	067G215S4713LV	LOW ESR EC 470UF 16V M 10*12.5MM	
C907	067G315Z10115K	EC 100UF 20% 450V 18*40	
C907	067G315Z10115L	EC 100UF 450V M 18*40MM	
L901	073G 174 65 H2	LINE FILTER 30MH MIN	
L901	073G 174 65 S2	LINE FILTER 30MH MIN	
L906	073G 253 91 H	IND CHOKE 3.5UH+-10% DADONG	
L905	073G 253 91 H	IND CHOKE 3.5UH+-10% DADONG	
L906	073G 253 91 L	CHOKE BY LI TA	
L905	073G 253 91 L	CHOKE BY LI TA	
L907	073G 253191 H	IND CHOKE 1.1UH DADON	
T901	080GL22T 3 N1	X'FMR 490UH YUVA-1093	
T901	080GL22T 3 S1	X'FMR 490UH	
PT801	080GL24T 23 DN	X'FMR 68UH TK.2005Y.101 VOC	
CN901	087G 501 32 S	AC SOCKET ST-01CP-BCE-R	
CN901	087G 501 32 DL	AC SOCKET DIP 3PIN+2PIN GROUND	2nd source
CN601	088G 30214K DC	PHONE JACK 5P GREEN -	
BD901	093G 50460 28	BRIDGE DIODE KBP208G LITEON	
BD901	093G 50460514	BRIDGE KBP306G-05 3A/800V TSC	
D905	093G 60334	DIODE SR506 5A/60V DO-201AD	
D905	093G 60519	DIODE SR560-MK23 5A/60V DO-27 SECOS	
CN902	095G 825 9X518	HARNESS 9P(SCN)-9P(PLUG) 120MM	
	705GQ793081	D901/D906 ASS'Y	
D901	093G 52 66	DIODE FMX-12SL 10A/200V TO-220	
D901	093G 52 68	DIODE FCF10A20 10A/200V TO-220	
D901	093G 52 69	DIODE YG902C2RSC 10A/200V TO-220F15	
D906	093G 60251	FCQ10U06	
D906	093G 60526	SCHOTTKY MBRF1060CT ITO-220AB	
	0M1G 930 8120	SCREW	
HS2	Q90G6264 5	HEAT SINK	
	705GQ851001	OIL FOR DISAPPEAR ASS'Y	
	705GQA57024	Q901 ASS'Y	
Q901	057G 600 35	STP8NK80ZFP	
Q901	057G 667 21	NO-SUGGEST STP10NK70ZFP	
Q901	057G 667516	FET 2SK3673 TO-220 FUJI	
Q901	057G 667924	MOSFET SMK0965F	
HS1	090G6064 1	HEAT SINK	
	0M1G 930 8120	SCREW	
	709G2892 QM001	CONSUMPTIVE ASS'Y	

	055G 2	ALCOHOL	
	055G 23524	WELDING FLUX WITHOUT PB	
	Q55G 100625	TIN STICK_LOW ARGENTUM	
IC901	056G 379160	IC FAN6752MY SOP-8	
IC801	056G 608 12	IC TA9687GN-A-0-TR SOP-16	
Q805	057G 600 61	AM4502C-TI-PF S0-8	
Q806	057G 600 61	AM4502C-TI-PF S0-8	
Q802	057G 759 2	RK7002FD5T116 SOT-23 BY ROHM	
Q805	057G 763 91	ET AO4620 7.2A/30V -5.3A/-30V SOIC-8	
Q806	057G 763 91	ET AO4620 7.2A/30V -5.3A/-30V SOIC-8	
Q802	057G 763511	MOSFET SRK7002LT1G SOT-23 LRC	
R610	061G0603000 JF	RST CHIPR MAX 0R05 1/10W FENGHUA	
R820	061G0603100 JI	RST 0603 10R 5% 1/16W TA-I	
R821	061G0603100 JI	RST 0603 10R 5% 1/16W TA-I	
R820	061G0603100 JT	RST CHIP 10R 1/10W 5% TZAI YUAN	
R821	061G0603100 JT	RST CHIP 10R 1/10W 5% TZAI YUAN	
R907	061G06031001FI	TEST ONLY RST 0603 1K 1% 1/10W TA-I	
R907	061G06031001FT	RST CHIP 1K 1/10W 1%	
R918	061G06031002FI	RST 0603 10K 1% 1/10W TA-I	
R918	061G06031002FY	RST CHIPR 10KOHM +-1% 1/10W YAGEO	
R807	061G0603103 JF	RST CHIPR 10K OHM +-5% 1/10W FENGHUA	
R807	061G0603103 JI	RST 0603 10K 5% 1/10W TA-I	
R609	061G0603103 JT	RST CHIP 10K 1/10W 5% TZAI YUAN	
R605	061G0603103 JT	RST CHIP 10K 1/10W 5% TZAI YUAN	
R604	061G0603103 JT	RST CHIP 10K 1/10W 5% TZAI YUAN	
R603	061G0603103 JT	RST CHIP 10K 1/10W 5% TZAI YUAN	
R602	061G0603103 JT	RST CHIP 10K 1/10W 5% TZAI YUAN	
R813	061G0603104 JI	TEST ONLY RST 0603 100K 5% 1/16W TA-I	
R806	061G0603104 JI	TEST ONLY RST 0603 100K 5% 1/16W TA-I	
R809	061G0603105 JI	RST 0603 1M 5% 1/16W TA-I	
R809	061G0603105 JT	RST CHIP 1M 1/10W 5% TZAI YUAN	
R916	061G06032002FF	RST CHIPR 20KOHM +-1% 1/10W FENGHUA	
R925	061G06032002FF	RST CHIPR 20KOHM +-1% 1/10W FENGHUA	
R928	061G06032002FF	RST CHIPR 20KOHM +-1% 1/10W FENGHUA	
R916	061G06032002FT	RST CHIP 20K 1/10W 1%	
R925	061G06032002FT	RST CHIP 20K 1/10W 1%	
R928	061G06032002FT	RST CHIP 20K 1/10W 1%	
R606	061G0603273 JT	RST CHIP 27K 1/10W 5% TZAI YUAN	
R607	061G0603273 JT	RST CHIP 27K 1/10W 5% TZAI YUAN	
R808	061G06033900FI	RST 0603 390R 1% 1/10W TA-I	

R808	061G06033900FT	RST CHIP 390R 1/10W 1%	
R920	061G06034701FF	RST CHIPR 4.7KOHM +-1% 1/10W	
R920	061G06034701FT	RST CHIP 4K7 1/10W 1%	
R905	061G0603471 JF	RST CHIPR 470OHM +-5% 1/10W FENGHUA	
R905	061G0603471 JY	NO-SUGGEST RST CHIPR 470 OHM 5% 1/10W YA	
R836	061G0603563 JI	RST 0603 56K 5% 1/16W TA-I	
R836	061G0603563 JT	RST CHIPR 56KOHM +-5% 1/10W TZAI YUAN	
R837	061G0603752 JI	TEST ONLY RST 0603 7.5K 5% 1/16W TA-I	
RJ803	061G0805000 JF	RST CHIPR 0 OHM +-5% 1/8W FENGHUA	
RJ804	061G0805000 JF	RST CHIPR 0 OHM +-5% 1/8W FENGHUA	
RJ804	061G0805000 JT	RST CHIPR 0 OHM +- 5% 1/8W TZAI YUAN	
R608	061G0805000 JT	RST CHIPR 0 OHM +- 5% 1/8W TZAI YUAN	
RJ803	061G0805000 JT	RST CHIPR 0 OHM +- 5% 1/8W TZAI YUAN	
R801	061G08051002FF	RST CHIPR 10KOHM +-1% 1/8W FENGHUA	
R801	061G08051002FT	RST CHIP 10K 1/8W 1%	
R801	061G08051002FY	RST CHIP 10K 1/8W 1%	
R812	061G08051003FF	RST CHIPR 100KOHM +-1% 1/8W FENGHUA	
R812	061G08051003FT	RST CHIP 100K 1/8W 1%	
R812	061G08051003FY	RST CHIP 100K 1/8W 1%	
R802	061G0805220 JF	RST CHIPR 22 OHM +-5% 1/8W FENGHUA	
R802	061G0805220 JT	RST CHIPR 22OHM +-5% 1/8W TZAI YUAN	
R816	061G0805229 JF	RST CHIPR 2R2 +-5% 1/8W FENGHUA	
R818	061G0805229 JF	RST CHIPR 2R2 +-5% 1/8W FENGHUA	
R817	061G0805229 JF	RST CHIPR 2R2 +-5% 1/8W FENGHUA	
R819	061G0805229 JF	RST CHIPR 2R2 +-5% 1/8W FENGHUA	
R816	061G0805229 JT	RST CHIPR 2R2 +-5% 1/8W TZAI YUAN	
R817	061G0805229 JT	RST CHIPR 2R2 +-5% 1/8W TZAI YUAN	
R818	061G0805229 JT	RST CHIPR 2R2 +-5% 1/8W TZAI YUAN	
R819	061G0805229 JT	RST CHIPR 2R2 +-5% 1/8W TZAI YUAN	
R919	061G0805471 JF	RST CHIPR 470 OHM +-5% 1/8W FENGHUA	
R823	061G0805471 JF	RST CHIPR 470 OHM +-5% 1/8W FENGHUA	
R919	061G0805471 JT	RST CHIPR 470OHM +-5% 1/8W TZAI YUAN	
R803	061G0805512 JF	RST CHIPR 5.1KOHM +-5% 1/8W FENGHUA	
R804	061G0805512 JF	RST CHIPR 5.1KOHM +-5% 1/8W FENGHUA	
R803	061G0805512 JT	RST CHIPR 5K1 +-5% 1/8W TZAI YUAN	
R804	061G0805512 JT	RST CHIPR 5K1 +-5% 1/8W TZAI YUAN	
R830	061G08056801FT	RST CHIP R 6.8KOHM +-1% 1/8W	
R830	061G08056801FY	RST CHIPR 6.8KOHM +-1% 1/8W	
R810	061G08057502FF	RST CHIPR 75KOHM +-1% 1/8W FENGHUA	
R810	061G08057502FT	RST CHIP R 75 KOHM +-1% 1/8W	

R811	061G08058202FF	RST CHIPR 82KOHM +-1% 1/8W FENGHUA	
R811	061G08058202FT	RST CHIPR 82K +-1% 1/8W TZAI YUAN	
RJ814	061G1206000	RST CHIP MAX 0R05 1/4W	
RJ811	061G1206000	RST CHIP MAX 0R05 1/4W	
RJ810	061G1206000	RST CHIP MAX 0R05 1/4W	
RJ802	061G1206000	RST CHIP MAX 0R05 1/4W	
RJ816	061G1206000 JI	RST 0 OHM 5% 1/4W TA-I	
RJ816	061G1206000 JT	RST CHIPR MAX0R05 1/4W TZAI YUAN	
R900	061G12061004FF	RST CHIPR 1 MOHM +-1% 1/4W FENGHUA	
R901	061G12061004FF	RST CHIPR 1 MOHM +-1% 1/4W FENGHUA	
R902	061G12061004FF	RST CHIPR 1 MOHM +-1% 1/4W FENGHUA	
R900	061G12061004FT	RST CHIP R 1 MOHM +-1% 1/4W	
R901	061G12061004FT	RST CHIP R 1 MOHM +-1% 1/4W	
R902	061G12061004FT	RST CHIP R 1 MOHM +-1% 1/4W	
R930	061G1206101	NO-SUGGEST RST CHIPR 100 OHM +-5% 1/4W	
R929	061G1206101	NO-SUGGEST RST CHIPR 100 OHM +-5% 1/4W	
R912	061G1206101	NO-SUGGEST RST CHIPR 100 OHM +-5% 1/4W	
R910	061G1206101	NO-SUGGEST RST CHIPR 100 OHM +-5% 1/4W	
R909	061G1206101	NO-SUGGEST RST CHIPR 100 OHM +-5% 1/4W	
R903	061G1206101	NO-SUGGEST RST CHIPR 100 OHM +-5% 1/4W	
R923	061G1206101 JF	RST CHIPR 100 OHM +-5% 1/4W FENGHUA	
R934	061G12062003FF	RST CHIPR 200KOHM +-1% 1/4W FENGHUA	
R934	061G12062003FT	RST CHIPR 200KOHM +-1% 1/4W TZAI YUAN	
R908	061G1206204 JF	RST CHIPR 200KOHM +-5% 1/4W FENGHUA	
R917	061G1206330 JF	RST CHIPR 33 OHM +-5% 1/4W FENGHUA	
R917	061G1206330 JT	RST CHIP R 33OHM 1/4W +/-5%	
R822	061G1206471 JT	RST CHIPR 470 OHM +-5% 1/4W TZAI YUAN	
R913	061G1206519 JI	RST 5.1 OHM 5% 1/4W TA-I	
R913	061G1206519 JT	RST CHIPR 5.1 OHM +-5% 1/4W TZAI YUAN	
R931	061G12066804FF	RST CHIPR 6.8MOHM 1% 1/4W FENGHUA	
R932	061G12066804FF	RST CHIPR 6.8MOHM 1% 1/4W FENGHUA	
R933	061G12066804FF	RST CHIPR 6.8MOHM 1% 1/4W FENGHUA	
C610	065G060310131J Y	CAP CHIP 0603 100P 50V NPO +/-5%	
C611	065G060310131J Y	CAP CHIP 0603 100P 50V NPO +/-5%	
C923	065G060310232K A	CAP CHIP 0603 1000PF K 50V X7R	
C924	065G0603104 12	CER2 0603 X7R 16V 100N P	
C926	065G0603104 12	CER2 0603 X7R 16V 100N P	
C612	065G060310432K Y	CAP 0603 100NF 10% 50V X7R	
C613	065G060310432K Y	CAP 0603 100NF 10% 50V X7R	
C814	065G060322131J A	CAP CHIP 0603 220PF J 50V NPO	

C810	065G060322232K	A	CAP 0603 2.2NF K 50V X7R	
C805	065G060322332K	Y	TPV CHIP 0603 22N 50V X7R +/-10%	
C807	065G060333232K	F	CAP CHIP 0603 3.3NF K 50V X7R	
C808	065G060333332K	A	CAP CHIP 0603 33NF K 50V X7R	
C914	065G060347131J	Y	CAP CHIP 0603 470P 50V NPO +/-5%	
C606	065G060347412K	Y	CAP CHIP 0.47UF 16V +/-10% X7R	
C603	065G060347412K	Y	CAP CHIP 0.47UF 16V +/-10% X7R	
C602	065G060347412K	Y	CAP CHIP 0.47UF 16V +/-10% X7R	
C601	065G060347412K	Y	CAP CHIP 0.47UF 16V +/-10% X7R	
C915	065G080510232K	F	CAP 0805 1000PF 10% 50V X7R	
C915	065G080510232K	Y	CAP CHIP 0805 1N 50V X7R +/-10%	
C912	065G080510432K	A	CAP CHIP 0805 0.1UF K 50V X7R	
C815	065G080510432K	A	CAP CHIP 0805 0.1UF K 50V X7R	
C811	065G080510432K	A	CAP CHIP 0805 0.1UF K 50V X7R	
C608	065G080510522K	3	CAP CHIP 0805 1U 25V X7R +/-10%	
C609	065G080510522K	3	CAP CHIP 0805 1U 25V X7R +/-10%	
C927	065G080510522K	3	CAP CHIP 0805 1U 25V X7R +/-10%	
C927	065G080510522K	T	CAP 0805 1UF 10% 25V X7R	
C818	065G0805155A2K	3	NO-SUGGEST 0805 1.5UF K 10V X7R	
C818	065G0805155A2K	M	CAP MLCC 0805 1.5UF K 10V X7R	
C818	065G0805155A2K	T	NO-SUGGEST 0805 1.5UF K 10V X7R	
C809	065G080522131J	Y	CAP CHIP 0805 220P 50V NPO +/-5%	
C806	065G080522512K	3	CAP CHIP 0805 2U2 16V X7R +/-10%	
C806	065G080522512K	M	MLCC 0805 CAP 2.2UF 16V X7R	
C806	065G080522512K	T	CAP CHIP 0805 2.2UF K 16V X7R	
C802	065G080547332K	F	CAP CHIP 0805 47NF K 50V X7R	
C801	065G080547332K	F	CAP CHIP 0805 47NF K 50V X7R	
C917	065G120610272K	Y	CAP CHIP 1206 1NF K 500V X7R	
C916	065G120610272K	Y	CAP CHIP 1206 1NF K 500V X7R	
C803	065G120610432K	Y	CER 1206 100N 50V X7R +/-10%	
D803	093G 64 33		DIO SIG SM BAV99 (PHSE)R	
D806	093G 64 42 L		DIODE LBAV70LT1G SOT-23 LRC	
D806	093G 64 42 PP		BAV70 SOT-23	
D803	093G 6433S		SWITCHING DIODE BAV99	
ZD802	093G 39GA01 T		RLZ5.6B	
ZD803	093G 39GA01 T		RLZ5.6B	
ZD802	093G 39S 24 T		RLZ 5.6B LLDS	
ZD803	093G 39S 24 T		RLZ 5.6B LLDS	
D806	093G 64S 6		SMT D-BAV70-7-F SOT-23	
	709G2892 QS001		CONSUMPTIVE ASS'Y	

	052G 2191 A	PAPER TAPE	
CN901	006G 31500	EYELET	
PT801	006G 31502	1.5MM RIVET	
IC903	056G 158 10 T	IC AS431AZTR-E1 TO-92 BY AAC	
IC903	056G 158 12	SHUNT REGULATOR KIA431A-AT/P TO-92	
Q904	057G 530503 T	2SD1207T	
Q904	057G 761 16	TRA KTD1028 KEC	
R906	061G152M10452T	NO-SUGGEST RST MOFR 100KOHM +-5% 2WS	
R906	061G152M10452T XZ	RST MOFR 100KOHM +-5% 2WS XIANZHENG	
R924	061G152M33852T	RST MOFR 0.33 OHM +-5% 2WS	
R911	061G152M68152T	RST MOFR 680 OHM +-5% 2WS	
R915	061G152M68152T	RST MOFR 680 OHM +-5% 2WS	
R828	061G212Y62552T HX	RST MGFR 6.2MOHM +-5% 1/2W	
R828	061G212Y62552T SY	RST MGFR 6.2MOHM +-5% 1/2W FUTABA	
C911	065G 2K152 2T6213	CAP CER 1.5NF 10% 2KV Y5P	
C911	065G 2K152 2T6921	CAP CER 1500PF K 2KV Y5P	
C920	067G 2046812KT	CS CAP 680UF 10V 8*11 MM	
C913	067G215S2207RT	EC 22UF 50V 5*11MM	
C913	067G215Y2207KT	CAP 105°C 22UF M 50V KINGNICH	
FB902	071G 55 9 T	FERRITE BEAD 3.5*6*0.8-T52	
FB602	071G 55 9 T	FERRITE BEAD 3.5*6*0.8-T52	
FB901	071G 55 29	FERRITE BEAD	
F903	084G 56 4 B	FUSE 4A 250V	
F902	084G 56 4 B	FUSE 4A 250V	
F901	084G 56 4 B	FUSE 4A 250V	
F902	084G 56 4W	FUSE 4A 250V	
F901	084G 56 4W	FUSE 4A 250V	
ZD901	093G 3952152T	TZX18B	
D903	093G 6026T52T	RECTIFIER DIODE FR107	
D904	093G 6038T52T	FR103 AO	
D801	093G 64 1152T	1N4148	
D801	093G 6452452T	SWITCHING 1N4148-B4006 0.2A 100V DO-35	
D903	093G110050152T	DIODE PR1007 1A/1000V 500NS DO-41	
J905	095G 90 23	JUMPER WIRE	
J904	095G 90 23	JUMPER WIRE	
J903	095G 90 23	JUMPER WIRE	
J902	095G 90 23	JUMPER WIRE	
J901	095G 90 23	JUMPER WIRE	
J823	095G 90 23	JUMPER WIRE	
J822	095G 90 23	JUMPER WIRE	

J819	095G 90 23	JUMPER WIRE	
J818	095G 90 23	JUMPER WIRE	
J817	095G 90 23	JUMPER WIRE	
J816	095G 90 23	JUMPER WIRE	
J810	095G 90 23	JUMPER WIRE	
J806	095G 90 23	JUMPER WIRE	
J912	095G 90 23	JUMPER WIRE	
J608	095G 90 23	JUMPER WIRE	
J607	095G 90 23	JUMPER WIRE	
J606	095G 90 23	JUMPER WIRE	
J605	095G 90 23	JUMPER WIRE	
J603	095G 90 23	JUMPER WIRE	
J602	095G 90 23	JUMPER WIRE	
J601	095G 90 23	JUMPER WIRE	
J908	095G 90 23	JUMPER WIRE	
J921	095G 90 23	JUMPER WIRE	
J911	095G 90 23	JUMPER WIRE	
J910	095G 90 23	JUMPER WIRE	
J909	095G 90 23	JUMPER WIRE	
J907	095G 90 23	JUMPER WIRE	
J906	095G 90 23	JUMPER WIRE	
J604	095G 90 23	JUMPER WIRE	
C821	095G 90 23	JUMPER WIRE	
C819	095G 90 23	JUMPER WIRE	
	709G2892 QA001	CONSUMPTIVE ASS'Y	
	095G 90 23	JUMPER WIRE	
	715G2892P02016001S	POWER PCB 122X184X1.6MM FR-1 S/S 1OZ	
R837	061G0603752 JT	RST CHIP 7K5 1/10W 5% TZAI YUAN	
R806	061G0603104 JT	RST CHIP 100K 1/10W 5% TZAI YUAN	
R813	061G0603104 JT	RST CHIP 100K 1/10W 5% TZAI YUAN	
HS3	Q90G6295 3	HEAT SINK	
T901	S80GL22T3V1	FMR POWER 490UH TPV-PT	
PT801	S80GL24T23V	XFMR POWER 68UH TPV-PT VOC	
	052FP5MB040026	MYLAR 125U*4MM*2.6MM BLACK	
	Q12G6600 6	FOOT	
	Q40G0003615A53	LABEL -USB LABEL 27WX12H MM	
	Q40G000362426A	WIN7+EPEAT SILVER+EPA+SRS	
	Q41G78S161546A	E941SWA,2341SA QSG	
	Q44GD053101	EPS	
	Q44GD053201	EPS	

	Q44GD053615 4B	23 LCD CARTON	
	Q45G 88609198	3002BAG	
	USB9QA1	USB BOARD G3501-A-X-X-1-090113	
CN501	033G3802 5B Y L	CONNECTOR 5P 2.0	
CN502	088G 351 2B TN	USB CONN	2nd source
CN502	088G 351 2B XH	USB CONN	2nd source
CN502	088G 3512B1 CL	USB CONN 4PIN BLACK USB-04	
C503	065G0603104 12	CER2 0603 X7R 16V 100N P	
C501	065G060350931J F	CAP CHIP 0603 5PF J 50V NPO	
C502	065G060350931J F	CAP CHIP 0603 5PF J 50V NPO	
FB501	071G 56K121 M	CHIP BEAD 120OHM 6A MGLB2012-120T-LF	
	709G3501 QS001	CONSUMPTIVE ASS'Y	
	715G3501 2	USB PCB 18X40X1.6MM FR-1 S/S 1OZ	
	USB9QA7	USB BOARD G2663-T0C-001-0010-1-100316	
CN511	033G3802 5B YH L	CONNECTOR 5P 2.0	
CN511	033G3802 5B YH W	WAFER	2nd source
CN512	088G 352 2 TN	USB CONN	
CN512	088G 352 2 XH	USB CONN	2nd source
E715	715G2663T01001001C	USB PCB 71X26X1.6MM FR-1 S/S 1OZ	2nd source
E715	715G2663T01001001M	USB PCB 71X26X1.6MM FR-1 S/S 1OZ	2nd source
E715	715G2663T01001001S	USB PCB 71X26X1.6MM FR-1 S/S 1OZ	
	089G 17356G553	AUDIO CABLE 1800MM	
	Q45G2010M0201A	P.E. BAG (INSTR. BOOK)	
	Q70G23C1615 5B	CD MANUAL	
	040G 58162435A	P/N LABEL FOR MANUAL PE BAG	
	040G 581689 4A	BARCODE LABEL FOR 1	
	Q40G 23N61513B	RATING LABEL	
	Q40G000161515A	CARTON LABEL	

2341Va TDASNTEBWVA1PNE

Location	Part No.	Description	Remark
	040G 58162435A	P/N LABEL FOR MANUAL PE BAG	
	050G 600 1 W	WHITE STRAP (1G004991)	
	052G 1209 A	Tasma aluminiowa	
	052G 1211 A	Tasma aluminiowa	
	052G 1211 B	Conductive Tape 85mm *40mm *0.09mm	
	052G 2191 A	PAPER TAPE	
	052G6019 1	INSULATING TAPE	
HDCP-SMT	070GHDCP500HDC	NO-SUGGEST HDCP CODE	
E07801	078G0025501 YA	SPK 4 OHM 2.5W 48X28 220 140 SUNLINK	
E08904	089G 173 56 4B	AUDIO CABLE	
E08905	089G 175 8A C	USB CABLE 1800MM without PE bag	
E08905	089G 175 8A G	USB CABLE 1800MM without PE bag	2nd source
E08902	089G 715CAAE01	SIGNAL CABLE	2nd source
E08902	089G 715GAAE01	SIGNAL CABLE	2nd source
E08902	089G 715HAAE01	SIGNAL CABLE	
E08901	089G404A15N HL	AC POWER CORD 1500mm	
E08901	089G404A15N IS	AC POWER CORD 1500	2nd source
	095G8014 6DE44	HARNESS 6P(2008)-6P(1253) 340	
	0D1G1030 8120	screw	
	0M1G 930 5120	SCREW	
	0Q1G 930 8120	screw	
	750GLS230HT312N000	PANEL LTM230HT03 C01 SZ SEC	
	A15G1195101001	MAIN_FRAME --	
	A15G1211101	BRACKET HOLDER	
	A33G0928AFR 1L0100	EAR PHONE STAND	
	A34G1858AEDA1B0100	BEZEL L23WA-T41	
	A34G1859AFRA4B0100	REAR COVER	
	A37G0167011	HINGE	
	AM1G1740 10225 CR3	SCREW	
	H26G 800504 2B	barcode	
	H40G 22N61563A	E2241VWA EU ID LABEL	
	H40G 58361548A	941 USB LABEL	
	H40G 58361585A	EPA EPEAT WIN7 TCO5.0 SRS label	
	H40G 58461512A	2341VA CARTON LABEL	
	H41G780961513A	TCO5.0 CARD	
	H41G780961531A	E2241VWA QSG	
	H44GD053615 2A	2341VA CARTON	
	H45G 77 6	PE PACKING	

	H45G 87 18 25	EPE COVER	
	H70G201061536A	2341VA CD MANUAL	
	J33G8B42 1 1C0100	KEY PAD	
	J33G8B43AFR 1L0100	key pad holder	
	J33G8B46AFR 1L0100	web cam cover	
	J34G8B57AED 1B0100	base	
	J34G8B63AED 1B0100	stand top	
	J34G8B64AED 1B0100	stand	
	Q44GD053101	EPS	
	Q44GD053201	EPS	
	Q45G 76 28 H A	PE BAG FOR MANUAL	
	Q52G 1185 99	big carton tape for aoc	
	Q52G6019 14	TAPE	
	S95G179T30NE28	FFC CABLE 195MM P1.0 30P	
	USBAHA1	USB G2663-T01-X-X-1-100416	
	USBAHA6	USB G3501-2-X-X-1-090313	
	756GHACB A1078	MAIN BOARD-CBPCANTA1H4	
U402	056G2233 11	MCU ASS'Y-056G2233 11	
SMTCA-U402	100GANSD002W11	AOC_2341Va_SEC	
	CBPCANTA1H4	MAIN BOARD	
CN402	033G3802 6B Y L	WAFER	
CN701	033G3802 9B Y L	CONN 2.0 9P	
CN408	033G801930F CH L	FFC CONNECTOR 30P 1.0pitch	
	040G 45762412B	CBPC LABEL	
R707	061G152M47964L SY	RST MOFR 4.7 OHM +-5% 2WS FUTABA	
CN101	088G 35315F CH	D-SUB CONN WITH SCREW 15P - -	
CN102	088G 35424F CH	DVI 24PIN CONN F ATTACHED SCREW	
X401	093G 2251B J	CRYSTAL 12MHZ NXS12.000AC30F-KAB10	
	709G3737 HM001	COMSUPTIVE ASS'Y	
	AIGANTA1H4	MAIN FOR AI	
E55	Q55G 100625	TIN STICK_LOW ARGENTUM	
C716	067G 3051007PB	EC 10UF 20% 50V 5*11	
C433	067G 3051013PB	EC 105C 100uF M 16V 5*11mm	
C702	067G 3051013PB	EC 105C 100uF M 16V 5*11mm	
C705	067G 3051013PB	EC 105C 100uF M 16V 5*11mm	
C710	067G 3051013PB	EC 105C 100uF M 16V 5*11mm	
	SMTCANTA1H4	MAIN BOARD FOR SMT	
U401	056G 562328	IC Scaler NT68668AUFQ QFP-128	
U703	056G 563206	IC LDO AP2114H-1.8TRG1 1A/1.8V SOT-223	
U701	056G 563224	IC LDO AP2114H-3.3TRG1 1A/3.3V SOT-223	

U107	056G 662502	IC ESD AZC199-04S.R7G SOT23-6L	
U106	056G 662502	IC ESD AZC199-04S.R7G SOT23-6L	
U104	056G 662502	IC ESD AZC199-04S.R7G SOT23-6L	
U103	056G 662502	IC ESD AZC199-04S.R7G SOT23-6L	
U102	056G 662502	IC ESD AZC199-04S.R7G SOT23-6L	
U101	056G1133531	EEPROM FM24C02A-SO-T-G 2K SOP-8	
U105	056G1133531	EEPROM FM24C02A-SO-T-G 2K SOP-8	
U402	056G2233 11	IC Pm25LD020C-SCE SIOC-8(150mil) 2M	
Q706	057G 417 12 T	KEC 2N3904S-RTK/PS	
Q701	057G 417 12 T	KEC 2N3904S-RTK/PS	
Q401	057G 417 13 T	KEC 2N3906S-RTK/PS	
Q402	057G 417 13 T	KEC 2N3906S-RTK/PS	
Q705	057G 763940	MOSFET AO3401A SOT-23	
R407	061G0402000 JF	RST CHIPR MAX0R05 1/16W FENGHUA	
R406	061G0402000 JF	RST CHIPR MAX0R05 1/16W FENGHUA	
R118	061G0402000 JF	RST CHIPR MAX0R05 1/16W FENGHUA	
R117	061G0402000 JF	RST CHIPR MAX0R05 1/16W FENGHUA	
R110	061G0402000 JF	RST CHIPR MAX0R05 1/16W FENGHUA	
R109	061G0402000 JF	RST CHIPR MAX0R05 1/16W FENGHUA	
R104	061G0402000 JF	RST CHIPR MAX0R05 1/16W FENGHUA	
R103	061G0402000 JF	RST CHIPR MAX0R05 1/16W FENGHUA	
R711	061G0402000 JF	RST CHIPR MAX0R05 1/16W FENGHUA	
R410	061G0402000 JF	RST CHIPR MAX0R05 1/16W FENGHUA	
R409	061G0402000 JF	RST CHIPR MAX0R05 1/16W FENGHUA	
R141	061G0402100 JF	RST CHIPR 10 OHM +-5% 1/16W FENGHUA	
R140	061G0402100 JF	RST CHIPR 10 OHM +-5% 1/16W FENGHUA	
R139	061G0402100 JF	RST CHIPR 10 OHM +-5% 1/16W FENGHUA	
R138	061G0402100 JF	RST CHIPR 10 OHM +-5% 1/16W FENGHUA	
R137	061G0402100 JF	RST CHIPR 10 OHM +-5% 1/16W FENGHUA	
R136	061G0402100 JF	RST CHIPR 10 OHM +-5% 1/16W FENGHUA	
R135	061G0402100 JF	RST CHIPR 10 OHM +-5% 1/16W FENGHUA	
R134	061G0402100 JF	RST CHIPR 10 OHM +-5% 1/16W FENGHUA	
R123	061G0402101 JF	RST CHIPR 100 OHM +-5% 1/16W FENGHUA	
R124	061G0402101 JF	RST CHIPR 100 OHM +-5% 1/16W FENGHUA	
R127	061G0402101 JF	RST CHIPR 100 OHM +-5% 1/16W FENGHUA	
R128	061G0402101 JF	RST CHIPR 100 OHM +-5% 1/16W FENGHUA	
R129	061G0402101 JF	RST CHIPR 100 OHM +-5% 1/16W FENGHUA	
R431	061G0402101 JF	RST CHIPR 100 OHM +-5% 1/16W FENGHUA	
R439	061G0402101 JF	RST CHIPR 100 OHM +-5% 1/16W FENGHUA	
R712	061G0402101 JF	RST CHIPR 100 OHM +-5% 1/16W FENGHUA	

R798	061G0402101 JF	RST CHIPR 100 OHM +-5% 1/16W FENGHUA	
R121	061G0402101 JF	RST CHIPR 100 OHM +-5% 1/16W FENGHUA	
R703	061G0402101 JF	RST CHIPR 100 OHM +-5% 1/16W FENGHUA	
R101	061G0402101 JF	RST CHIPR 100 OHM +-5% 1/16W FENGHUA	
R102	061G0402101 JF	RST CHIPR 100 OHM +-5% 1/16W FENGHUA	
R105	061G0402101 JF	RST CHIPR 100 OHM +-5% 1/16W FENGHUA	
R106	061G0402101 JF	RST CHIPR 100 OHM +-5% 1/16W FENGHUA	
R108	061G0402101 JF	RST CHIPR 100 OHM +-5% 1/16W FENGHUA	
R111	061G0402101 JF	RST CHIPR 100 OHM +-5% 1/16W FENGHUA	
R113	061G0402101 JF	RST CHIPR 100 OHM +-5% 1/16W FENGHUA	
R119	061G0402101 JF	RST CHIPR 100 OHM +-5% 1/16W FENGHUA	
R424	061G0402102 JF	RST CHIPR 1KOHM +-5% 1/16W FENGHUA	
R799	061G0402103 JF	RST CHIPR 10KOHM +-5% 1/16W FENGHUA	
R714	061G0402103 JF	RST CHIPR 10KOHM +-5% 1/16W FENGHUA	
R704	061G0402103 JF	RST CHIPR 10KOHM +-5% 1/16W FENGHUA	
R444	061G0402103 JF	RST CHIPR 10KOHM +-5% 1/16W FENGHUA	
R429	061G0402103 JF	RST CHIPR 10KOHM +-5% 1/16W FENGHUA	
R130	061G0402103 JF	RST CHIPR 10KOHM +-5% 1/16W FENGHUA	
R415	061G0402104 JF	RST CHIPR 100KOHM +-5% 1/16W FENGHUA	
R422	061G0402104 JF	RST CHIPR 100KOHM +-5% 1/16W FENGHUA	
R715	061G0402104 JF	RST CHIPR 100KOHM +-5% 1/16W FENGHUA	
R432	061G0402105 JF	RST CHIPR 1MOHM 5% 1/16W FENGHUA	
R125	061G0402222 JF	RST CHIPR 2.2KOHM +-5% 1/16W FENGHUA	
R126	061G0402222 JF	RST CHIPR 2.2KOHM +-5% 1/16W FENGHUA	
R719	061G0402223 JF	RST CHIPR 22KOHM 5% 1/16W FENGHUA	
R701	061G0402223 JF	RST CHIPR 22KOHM 5% 1/16W FENGHUA	
R427	061G0402223 JF	RST CHIPR 22KOHM 5% 1/16W FENGHUA	
R425	061G0402223 JF	RST CHIPR 22KOHM 5% 1/16W FENGHUA	
R133	061G0402223 JF	RST CHIPR 22KOHM 5% 1/16W FENGHUA	
R116	061G0402223 JF	RST CHIPR 22KOHM 5% 1/16W FENGHUA	
R423	061G0402224 JY	RST CHIPR 220KOHM +-5% 1/16W YAGEO	
R416	061G0402224 JY	RST CHIPR 220KOHM +-5% 1/16W YAGEO	
R401	061G0402392 JF	RST CHIPR 3.9KOHM +-5% 1/16W FENGHUA	
R404	061G0402392 JF	RST CHIPR 3.9KOHM +-5% 1/16W FENGHUA	
R405	061G0402392 JF	RST CHIPR 3.9KOHM +-5% 1/16W FENGHUA	
R419	061G0402394 JY	RST CHIP R 390K +/-5% 1/16W YAGEO	
R408	061G04024700FY	RST CHIP 470R 1/16W 1%	
R142	061G0402471 JF	RST CHIPR 470 OHM 5% 1/16W FENGHUA	
R721	061G0402472 JF	RST CHIPR 4.7KOHM +-5% 1/16W FENGHUA	
R702	061G0402472 JF	RST CHIPR 4.7KOHM +-5% 1/16W FENGHUA	

R132	061G0402472 JF		RST CHIPR 4.7KOHM +-5% 1/16W FENGHUA	
R131	061G0402472 JF		RST CHIPR 4.7KOHM +-5% 1/16W FENGHUA	
R115	061G0402472 JF		RST CHIPR 4.7KOHM +-5% 1/16W FENGHUA	
R114	061G0402472 JF		RST CHIPR 4.7KOHM +-5% 1/16W FENGHUA	
R413	061G0402472 JF		RST CHIPR 4.7KOHM +-5% 1/16W FENGHUA	
R411	061G0402472 JF		RST CHIPR 4.7KOHM +-5% 1/16W FENGHUA	
R107	061G04027509FF		RST CHIPR 75 OHM +-1% 1/16W FENGHUA	
R112	061G04027509FF		RST CHIPR 75 OHM +-1% 1/16W FENGHUA	
R120	061G04027509FF		RST CHIPR 75 OHM +-1% 1/16W FENGHUA	
R122	061G0603000 JF		RST CHIPR MAX 0R05 1/10W FENGHUA	
R418	061G0603102 JF		RST CHIPR 1K OHM +-5% 1/10W FENGHUA	
R417	061G0603471 JF		RST CHIPR 470OHM +-5% 1/10W FENGHUA	
FB701	061G0805000 JF		RST CHIPR 0 OHM +-5% 1/8W FENGHUA	
R449	061G1206221 JF		RST CHIPR 220 OHM +-5% 1/4W FENGHUA	
R448	061G1206221 JF		RST CHIPR 220 OHM +-5% 1/4W FENGHUA	
C120	065G040210232K	A	CAP 0402 1NF K 50V X7R	
C412	065G040210425K	T	CAP 0402 0.1uf 10% 25V X5R	
C417	065G040210425K	T	CAP 0402 0.1uf 10% 25V X5R	
C418	065G040210425K	T	CAP 0402 0.1uf 10% 25V X5R	
C419	065G040210425K	T	CAP 0402 0.1uf 10% 25V X5R	
C422	065G040210425K	T	CAP 0402 0.1uf 10% 25V X5R	
C425	065G040210425K	T	CAP 0402 0.1uf 10% 25V X5R	
C427	065G040210425K	T	CAP 0402 0.1uf 10% 25V X5R	
C434	065G040210425K	T	CAP 0402 0.1uf 10% 25V X5R	
C701	065G040210425K	T	CAP 0402 0.1uf 10% 25V X5R	
C703	065G040210425K	T	CAP 0402 0.1uf 10% 25V X5R	
C704	065G040210425K	T	CAP 0402 0.1uf 10% 25V X5R	
C706	065G040210425K	T	CAP 0402 0.1uf 10% 25V X5R	
C707	065G040210425K	T	CAP 0402 0.1uf 10% 25V X5R	
C712	065G040210425K	T	CAP 0402 0.1uf 10% 25V X5R	
C713	065G040210425K	T	CAP 0402 0.1uf 10% 25V X5R	
C113	065G040210425K	T	CAP 0402 0.1uf 10% 25V X5R	
C114	065G040210425K	T	CAP 0402 0.1uf 10% 25V X5R	
C115	065G040210425K	T	CAP 0402 0.1uf 10% 25V X5R	
C117	065G040210425K	T	CAP 0402 0.1uf 10% 25V X5R	
C118	065G040210425K	T	CAP 0402 0.1uf 10% 25V X5R	
C119	065G040210425K	T	CAP 0402 0.1uf 10% 25V X5R	
C401	065G040210425K	T	CAP 0402 0.1uf 10% 25V X5R	
C402	065G040210425K	T	CAP 0402 0.1uf 10% 25V X5R	
C411	065G040210425K	T	CAP 0402 0.1uf 10% 25V X5R	

C410	065G040210425K	T	CAP 0402 0.1uf 10% 25V X5R	
C409	065G040210425K	T	CAP 0402 0.1uf 10% 25V X5R	
C408	065G040210425K	T	CAP 0402 0.1uf 10% 25V X5R	
C407	065G040210425K	T	CAP 0402 0.1uf 10% 25V X5R	
C405	065G040210425K	T	CAP 0402 0.1uf 10% 25V X5R	
C403	065G040210425K	T	CAP 0402 0.1uf 10% 25V X5R	
C424	065G0402105A5K	T	CAP CHIP 0402 1uF K 10V X5R	
C415	065G0402105A5K	T	CAP CHIP 0402 1uF K 10V X5R	
C414	065G0402105A5K	T	CAP CHIP 0402 1uF K 10V X5R	
C406	065G0402105A5K	T	CAP CHIP 0402 1uF K 10V X5R	
C428	065G040222031J	A	CAP 0402 22PF J 50V NPO	
C426	065G040222031J	A	CAP 0402 22PF J 50V NPO	
C182	065G040222031J	A	CAP 0402 22PF J 50V NPO	
C181	065G040222031J	A	CAP 0402 22PF J 50V NPO	
C101	065G040222415K	T	CAP CHIP 0402 220nF K 16V X5R	
C116	065G040222415K	T	CAP CHIP 0402 220nF K 16V X5R	
C429	065G040222415K	T	CAP CHIP 0402 220nF K 16V X5R	
C715	065G040222415K	T	CAP CHIP 0402 220nF K 16V X5R	
C718	065G040222415K	T	CAP CHIP 0402 220nF K 16V X5R	
C102	065G040247312K	T	CAP 0402 47NF 10% 16V X7R	
C104	065G040247312K	T	CAP 0402 47NF 10% 16V X7R	
C105	065G040247312K	T	CAP 0402 47NF 10% 16V X7R	
C107	065G040247312K	T	CAP 0402 47NF 10% 16V X7R	
C108	065G040247312K	T	CAP 0402 47NF 10% 16V X7R	
C110	065G040247312K	T	CAP 0402 47NF 10% 16V X7R	
C103	065G040250931C	Y	CAP CHIP 0402 5PF 50V NPO +/-0.25pF	
C106	065G040250931C	Y	CAP CHIP 0402 5PF 50V NPO +/-0.25pF	
C109	065G040250931C	Y	CAP CHIP 0402 5PF 50V NPO +/-0.25pF	
C423	065G0805475A2K	Y	CAP CHIP 0805 4.7UF K 10V X7R	
C421	065G0805475A2K	Y	CAP CHIP 0805 4.7UF K 10V X7R	
C416	065G0805475A2K	Y	CAP CHIP 0805 4.7UF K 10V X7R	
C413	065G0805475A2K	Y	CAP CHIP 0805 4.7UF K 10V X7R	
C404	065G0805475A2K	Y	CAP CHIP 0805 4.7UF K 10V X7R	
FB409	071G 56K121	M	CHIP BEAD 120OHM 6A MGLB2012-120T-LF	
FB408	071G 56V301	M	CHIP BEAD 2012 300 OHM	
FB405	071G 56V301	M	CHIP BEAD 2012 300 OHM	
FB404	071G 56V301	M	CHIP BEAD 2012 300 OHM	
FB403	071G 56V301	M	CHIP BEAD 2012 300 OHM	
FB402	071G 56V301	M	CHIP BEAD 2012 300 OHM	
FB401	071G 56V301	M	CHIP BEAD 2012 300 OHM	

D101	093G 64 42 L	DIODE LBAV70LT1G SOT-23 LRC	
D102	093G 64 42 L	DIODE LBAV70LT1G SOT-23 LRC	
ZD101	093G 39GA01 T	RLZ5.6B	
ZD102	093G 39GA01 T	RLZ5.6B	
	709G3737 HS001	COMSUPTIVE ASS'Y	
E715	715G3737M02000004L	MAIN PCB FR4 DS 80x72x1.6mm	2nd source
E715	715G3737M02000004S	MAIN PCB FR4 DS 80*72*1.6mm	
	H52G1701 1	MESH PRINTTING_PAPER	
	KEPCAHA3	KEY BOARD	
SW001	077G 5005A1 XL	DOME SW 5 3703701	
	SMTKEPCAHA3	key board for smt	
CN001	033G8032 6F X	WAFER 6P 1.25MM	
R003	061G0603000 JF	RST CHIPR MAX 0R05 1/10W FENGHUA	
R005	061G0603100 1F	RST CHIPR 1 KOHM +-1% 1/10W	
R002	061G0603200 1F	RST CHIPR 2 KOHM +-1% 1/10W	
R004	061G0603200 1F	RST CHIPR 2 KOHM +-1% 1/10W	
LED01	081G 14501 GP	LED GPTD1210YGC3-HB	
E715	715G4007K01000004F	KEY PCB FR-4 106.5X14.5MM T1.6MM	
E715	715G4007K01000004L	KEY PCB FR-4 106.5X14.5MM T1.6MM	2nd source
	PWPCAD21SHE1	POWER BOARD	
GND1	009G6005 1	GROUND TERMINAL	
CN602	033G3802 4 BH F	CONNECTOR	
CN801	033G8021 2E F	CONNECTOR	
CN803	033G8021 2E F	CONNECTOR	
	040G 45762412B	CBPC LABEL	
IC902	056G 139 3A	PC123Y22FZOF SHARP	
NR901	061G 58100 WD	RST NTCR 10 OHM +-20% 5A THINKING	
C908	063G107K334 6S	0.33UF +-10%	
C817	065G 6J2096ET	2PF 5% SL 6KV	
C902	065G305M1022BP	CAP Y2 1000PF M 250VAC	
C903	065G305M1022BP	CAP Y2 1000PF M 250VAC	
C900	065G306M3322BP	Y1 CAP 3300PF M 250VAC	
C918	067G215A1024LV	EC 1000UF 20% 25V 12.5*20	
C804	067G215A1024LV	EC 1000UF 20% 25V 12.5*20	
C925	067G215D4714LV	LOW ESR EC 470uF 25V M 10*16mm	
C921	067G215S1023KV	EC 1000UF 20% 16V 10*20	
C604	067G215S4713LV	LOW ESR EC 470uF 16V M 10*12.5mm	
C922	067G215S4713LV	LOW ESR EC 470uF 16V M 10*12.5mm	
C907	067G315Z10115K	EC 100UF 20% 450V 18*40	
L901	073G 174 65 S2	LINE FILTER 30mH MIN	

L906	073G 253 91 L	CHOKE BY LI TA	
L905	073G 253 91 L	CHOKE BY LI TA	
L907	073G 253191 H	IND CHOKE 1.1uH DADON	
T901	080GL22T 3 N1	X'FMR 490uH YUVA-1093	
PT801	080GL24T 23 DN	X'FMR 68uH TK.2005Y.101 VOC	
CN901	087G 501 32 S	AC SOCKET ST-01CP-BCE-R	
CN601	088G 30214K DC	PHONE JACK 5P GREEN -	
D905	093G 60334	DIODE SR506 5A/60V DO-201AD	
CN902	095G 825 9D518	HARNESS 9P-9P 120	
CN902	095G 825 9T518	HARNESS 9P-9P 120MM	2nd source
	705GQ793081	D901/D906 ASS'Y	
	705GQA57024	Q901 ASS'Y	
	709G2892 HM001	CONSUMPTIVE ASS'Y	
	PWAD21SHE1SMT	POWER BOARD FOR SMT	
HS3	Q90G6295 3	HEAT SINK	
IC601	056G 616 51	IC APA2071JI-TUG 3.1W DIP-16	
BD901	093G 50460 28	BRIDGE DIODE KBP208G LITEON	
D901	093G 52 69	DIODE YG902C2RSC 10A/200V TO-220F15	
D906	093G 60526	SCHOTTKY MBRF1060CT ITO-220AB	
	0M1G 930 8120	SCREW	
HS2	Q90G6264 5	HEAT SINK	
Q901	057G 667924	MOSFET SMK0965F	
HS1	090G6064 1	HEAT SINK	
	0M1G 930 8120	SCREW	
	Q55G 100625	TIN STICK_LOW ARGENTUM	
E55	055G 23524	WELDING FLUX WITHOUT PB	
	Q51G 6 4509	GLUE_RTV	
IC901	056G 379160	IC FAN6752MY SOP-7	
IC801	056G 608 12	IC ta9687GN-A-0-TR SOP-16	
Q802	057G 759 2	RK7002FD5T116 SOT-23 BY ROHM	
Q805	057G 763 91	ET AO4620 7.2A/30V -5.3A/-30V SOIC-8	
Q806	057G 763 91	ET AO4620 7.2A/30V -5.3A/-30V SOIC-8	
R610	061G0603000 JF	RST CHIPR MAX 0R05 1/10W FENGHUA	
R821	061G0603100 JT	RST CHIP 10R 1/10W 5% TZAI YUAN	
R820	061G0603100 JT	RST CHIP 10R 1/10W 5% TZAI YUAN	
R907	061G06031001FT	RST CHIP 1K 1/10W 1%	
R918	061G06031002FT	RST CHIP 10K 1/10W 1%	
R807	061G0603103 JT	RST CHIP 10K 1/10W 5% TZAI YUAN	
R609	061G0603103 JT	RST CHIP 10K 1/10W 5% TZAI YUAN	
R605	061G0603103 JT	RST CHIP 10K 1/10W 5% TZAI YUAN	

R604	061G0603103 JT	RST CHIP 10K 1/10W 5% TZAI YUAN	
R603	061G0603103 JT	RST CHIP 10K 1/10W 5% TZAI YUAN	
R602	061G0603103 JT	RST CHIP 10K 1/10W 5% TZAI YUAN	
R813	061G0603104 JT	RST CHIP 100K 1/10W 5% TZAI YUAN	
R806	061G0603104 JT	RST CHIP 100K 1/10W 5% TZAI YUAN	
R809	061G0603105 JF	RST CHIPR 1M OHM +-5% 1/10W FENGHUA	
R916	061G06032002FF	RST CHIPR 20KOHM +-1% 1/10W FENGHUA	
R925	061G06032002FF	RST CHIPR 20KOHM +-1% 1/10W FENGHUA	
R928	061G06032002FF	RST CHIPR 20KOHM +-1% 1/10W FENGHUA	
R606	061G0603273 JT	RST CHIP 27K 1/10W 5% TZAI YUAN	
R607	061G0603273 JT	RST CHIP 27K 1/10W 5% TZAI YUAN	
R808	061G0603390 0F	RST CHIPR 390 OHM +-1% 1/10W	
R920	061G06034701FT	RST CHIP 4K7 1/10W 1%	
R905	061G0603471 JT	RST CHIPR 470OHM +-5% 1/10W TZAI YUAN	
R836	061G0603563 JF	RST CHIPR 56KOHM 5% 1/10W FENGHUA	
R837	061G06036801FF	RST CHIPR 6.8KOHM +-1% 1/10W FENGHUA	
RJ803	061G0805000 JF	RST CHIPR 0 OHM +-5% 1/8W FENGHUA	
RJ804	061G0805000 JF	RST CHIPR 0 OHM +-5% 1/8W FENGHUA	
R608	061G0805000 JT	RST CHIPR 0 OHM +- 5% 1/8W TZAI YUAN	
R801	061G08051002FF	RST CHIPR 10KOHM +-1% 1/8W FENGHUA	
R812	061G08051003FF	RST CHIPR 100KOHM +-1% 1/8W FENGHUA	
R802	061G0805220 JT	RST CHIPR 22OHM +-5% 1/8W TZAI YUAN	
R819	061G0805229 JT	RST CHIPR 2R2 +-5% 1/8W TZAI YUAN	
R818	061G0805229 JT	RST CHIPR 2R2 +-5% 1/8W TZAI YUAN	
R816	061G0805229 JT	RST CHIPR 2R2 +-5% 1/8W TZAI YUAN	
R817	061G0805229 JT	RST CHIPR 2R2 +-5% 1/8W TZAI YUAN	
R823	061G0805471 JF	RST CHIPR 470 OHM +-5% 1/8W FENGHUA	
R919	061G0805471 JT	RST CHIPR 470OHM +-5% 1/8W TZAI YUAN	
R804	061G0805512 JT	RST CHIPR 5K1 +-5% 1/8W TZAI YUAN	
R803	061G0805512 JT	RST CHIPR 5K1 +-5% 1/8W TZAI YUAN	
R830	061G0805622 JT	RST CHIPR 6K2 +-5% 1/8W TZAI YUAN	
R810	061G08057502FT	RST CHIP R 75 KOHM +-1% 1/8W	
R811	061G08058202FT	RST CHIPR 82K +-1% 1/8W TZAI YUAN	
RJ802	061G1206000 JT	RST CHIPR MAX0R05 1/4W TZAI YUAN	
RJ810	061G1206000 JT	RST CHIPR MAX0R05 1/4W TZAI YUAN	
RJ811	061G1206000 JT	RST CHIPR MAX0R05 1/4W TZAI YUAN	
RJ814	061G1206000 JT	RST CHIPR MAX0R05 1/4W TZAI YUAN	
RJ816	061G12060007JT	RST CHIPR MAX 0R05 1/4W 1206	
R900	061G12061004FT	RST CHIP R 1 MOHM +-1% 1/4W	
R901	061G12061004FT	RST CHIP R 1 MOHM +-1% 1/4W	

R902	061G12061004FT		RST CHIP R 1 MOHM +-1% 1/4W	
R923	061G1206101 JF		RST CHIPR 100 OHM +-5% 1/4W FENGHUA	
R903	061G1206101 JT		RST CHIPR 100 OHM +-5% 1/4W TZAI YUAN	
R934	061G12062003FF		RST CHIPR 200KOHM +-1% 1/4W FENGHUA	
R908	061G1206204 JF		RST CHIPR 200KOHM +-5% 1/4W FENGHUA	
R917	061G1206330 JT		RST CHIP R 33ohm 1/4W +/-5%	
R822	061G1206471 JT		RST CHIPR 470 OHM +-5% 1/4W TZAI YUAN	
R913	061G1206519 JT		RST CHIPR 5.1 OHM +-5% 1/4W TZAI YUAN	
R931	061G12066804FF		RST CHIPR 6.8MOHM 1% 1/4W FENGHUA	
R932	061G12066804FF		RST CHIPR 6.8MOHM 1% 1/4W FENGHUA	
R933	061G12066804FF		RST CHIPR 6.8MOHM 1% 1/4W FENGHUA	
C610	065G060310131J	F	CAP CHIP 0603 100PF J 50V NPO	
C611	065G060310131J	F	CAP CHIP 0603 100PF J 50V NPO	
C923	065G060310232K	A	CAP CHIP 0603 1000pF K 50V X7R	
C926	065G0603104 12		CER2 0603 X7R 16V 100N P	
C924	065G0603104 12		CER2 0603 X7R 16V 100N P	
C613	065G060310432K	F	CAP CHIP 0603 0.1UF K 50V X7R	
C612	065G060310432K	F	CAP CHIP 0603 0.1UF K 50V X7R	
C814	065G060322131J	A	CAP CHIP 0603 220PF J 50V NPO	
C810	065G060322232K	A	CAP 0603 2.2NF K 50V X7R	
C805	065G060322332K	A	CAP CHIP 0603 22NF K 50V X7R	
C807	065G060333232K	F	CAP CHIP 0603 3.3NF K 50V X7R	
C808	065G060333332K	A	CAP CHIP 0603 33nF K 50V X7R	
C914	065G060347131J	F	CAP CHIP 0603 470PF J 50V NPO	
C601	065G060347412K	F	CAP CHIP 0603 0.47UF K 16V X7R	
C602	065G060347412K	F	CAP CHIP 0603 0.47UF K 16V X7R	
C603	065G060347412K	F	CAP CHIP 0603 0.47UF K 16V X7R	
C606	065G060347412K	F	CAP CHIP 0603 0.47UF K 16V X7R	
C915	065G080510232K	F	CAP 0805 1000PF 10% 50V X7R	
C811	065G080510432K	A	CAP CHIP 0805 0.1UF K 50V X7R	
C815	065G080510432K	A	CAP CHIP 0805 0.1UF K 50V X7R	
C912	065G080510432K	A	CAP CHIP 0805 0.1UF K 50V X7R	
C609	065G080510522K	T	CAP 0805 1UF 10% 25V X7R	
C608	065G080510522K	T	CAP 0805 1UF 10% 25V X7R	
C927	065G080510522K	T	CAP 0805 1UF 10% 25V X7R	
C818	065G0805155A2K	T	NO-SUGGEST 0805 1.5uF K 10V X7R	
C809	065G080522131J	F	CAP CHIP 0805 220PF J 50V NPO	
C806	065G080522512K	M	CAP 0805 2.2UF 10% 16V X7R	
C802	065G080547332K	F	CAP CHIP 0805 47NF K 50V X7R	
C801	065G080547332K	F	CAP CHIP 0805 47NF K 50V X7R	

C917	065G120610272K F	CAP 1206 1NF 10% 500V X7R	
C916	065G120610272K F	CAP 1206 1NF 10% 500V X7R	
C803	065G120610432K F	CAP CHIP 1206 0.1UF K 50V X7R	
D806	093G 64 42 L	DIODE LBAV70LT1G SOT-23 LRC	
D803	093G 6433S	BAV99_SOT-23	
ZD802	093G 39GA01 T	RLZ5.6B	
ZD803	093G 39GA01 T	RLZ5.6B	
	PWAD21SHE1AI	POWER BOARD FOR AI	
CN901	006G 31500	EYELET	
PT801	006G 31502	1.5MM RIVET	
IC903	056G 158 12	Shunt Regulator KIA431A-AT/P TO-92	
Q904	057G 530503 T	2SD1207T	
R906	061G152M10452T SY	RST MOFR 100KOHM +-5% 2WS FUTABA	
R924	061G152M33852T SY	RST MOF 0R33 5% 2W	
R915	061G152M68152T SY	RST MOF 680R 5% 2WS	
R911	061G152M68152T SY	RST MOF 680R 5% 2WS	
R828	061G211S62552T SY	MGFR 6.2MOHM +-5% 1WS FUTABA	
C911	065G 2K152 2T6921	CAP CER 1500pF K 2KV Y5P	
C920	067G 2046812KT	CS CAP 680uF 10V 8*11 mm	
C913	067G215Y2207KT	CAP 105°C 22UF M 50V KINGNICHU	
FB902	071G 55 9 T	BEAD 3.5*0.8*6.0mm 110R 25% HF	
FB602	071G 55 9 T	BEAD 3.5*0.8*6.0mm 110R 25% HF	
FB901	071G 55 29	FERRITE BEAD	
F903	084G 56 4W	FUSE 4A 250V	
F901	084G 56 4W	FUSE 4A 250V	
F902	084G 56 4W	FUSE 4A 250V	
ZD901	093G 3957952T	GDZJ18C	
D904	093G 6038T52T	FR103 AO	
D801	093G 6452452T	SWITCHING 1N4148-B4006 0.2A 100V DO-35	
J817	095G 90 23	JUMPER WIRE	
J818	095G 90 23	JUMPER WIRE	
J819	095G 90 23	JUMPER WIRE	
J822	095G 90 23	JUMPER WIRE	
J823	095G 90 23	JUMPER WIRE	
J901	095G 90 23	JUMPER WIRE	
J902	095G 90 23	JUMPER WIRE	
J903	095G 90 23	JUMPER WIRE	
J904	095G 90 23	JUMPER WIRE	
J905	095G 90 23	JUMPER WIRE	
J906	095G 90 23	JUMPER WIRE	

J907	095G 90 23	JUMPER WIRE	
J908	095G 90 23	JUMPER WIRE	
J909	095G 90 23	JUMPER WIRE	
J910	095G 90 23	JUMPER WIRE	
J911	095G 90 23	JUMPER WIRE	
J921	095G 90 23	JUMPER WIRE	
J912	095G 90 23	JUMPER WIRE	
C819	095G 90 23	JUMPER WIRE	
C821	095G 90 23	JUMPER WIRE	
J601	095G 90 23	JUMPER WIRE	
J602	095G 90 23	JUMPER WIRE	
J603	095G 90 23	JUMPER WIRE	
J604	095G 90 23	JUMPER WIRE	
J605	095G 90 23	JUMPER WIRE	
J606	095G 90 23	JUMPER WIRE	
J607	095G 90 23	JUMPER WIRE	
J608	095G 90 23	JUMPER WIRE	
J806	095G 90 23	JUMPER WIRE	
J810	095G 90 23	JUMPER WIRE	
J816	095G 90 23	JUMPER WIRE	
	709G2892 HA001	CONSUMPTIVE ASS'Y	
	715G2892P02016001S	POWER PCB 122X184X1.6MM FR-1 S/S 1OZ	
D903	093G 6026T52T	CTIFIER DIODE FR107	
	USBAHA1	USB BOARD	
CN512	088G 352 21CL	USB CONN TYPE A	
CN511	311GW200A05ABX	WAFER 2.0mm 5P	
E715	715G2663T01001001C	USB PCB 71X26X1.6MM FR-1 S/S 1OZ	
	USBAHA6	USB BOARD	
CN501	033G3802 5B Y L	CONNECTOR 5P 2.0	
CN502	088G 3513B1 CL	USB CONN BLACK	
E09505	095G8014 5DH15	HARNESS 5P(2008)-5P(2008) 300mm	
E09505	095G8014 5WH15	HARNESS 5P(2008)-5P(2008) 300mm	2nd source
	SMTUSB9HA2W	USB BOARD FOR SMT	
C503	065G0603104 12	CER2 0603 X7R 16V 100N P	
C501	065G0603509 31	CHIP 5PF +-0.5PF 50V NPO	
C502	065G0603509 31	CHIP 5PF +-0.5PF 50V NPO	
FB501	071G 56K121 M	CHIP BEAD 120OHM 6A MGLB2012-120T-LF	
	715G3501 2	USB PCB 18X40X1.6MM FR-1 S/S 1OZ	

2341Vg TDASNTNEWVA1BNE

Location	Part No.	Description	Remark
	040G 58162435A	P/N LABEL FOR MANUAL PE BAG	
	052G 1211 A	Tasma aluminiowa	
	052G 1211 B	Conductive Tape 85mm *40mm *0.09mm	
	052G 2191 A	PAPER TAPE	
	052G6019 1	INSULATING TAPE	
HDCP-SMT	070GHDCP500HDC	NO-SUGGEST HDCP CODE	
	095G8014 6DE44	HARNESS 6P(2008)-6P(1253) 340	
	0D1G1030 8120	screw	
	0M1G 930 5120	SCREW	
	0Q1G 930 8120	screw	
	750GLS230HT312N000	PANEL LTM230HT03 C01 SZ SEC	
	A15G1195101004	mainframe	
	A15G1211101	BRACKET HOLDER	
	A24G0005 1	Glass_L23WA-T41	
	A33G0928ABJ 1L0100	EAR PHONE STAND	
	A34G1859ABJA1B0100	REAR COVER	
	A37G0167011	HINGE	
	AM1G1740 10225 CR3	SCREW	
	H40G 58361548A	941 USB LABEL	
	H40G 58361549A	Win7 EPEAT(S) EPA LABEL	
	H41G780961533A	2341Vg QSG	
	H44GD053615 3A	2341Vg CARTON	
	H45G 77 6	PE PACKING	
	H45G 87 18 25	EPE COVER	
	H70G201061537B	2341Vg CD MANUAL	
	J33G8B42 1 1C0100	KEY PAD	
	J33G8B43ABJ 1L0100	key pad holder	
	J33G8B45ABJ 1L0100	lock clip	
	J33G8B46ABJ 1L0100	web cam cover	
	J34G8B57AED 1B0130	base	
	J34G8B63AED 1B0100	stand top	
	J34G8B64AED 1B0100	stand	
	Q16G0001 20 45	EVA	
	Q16G0001 20 46	EVA	
	Q36G 600517	duster cloth	
	Q44GD053101	EPS	
	Q44GD053201	EPS	
	Q45G 76 28 H A	PE BAG FOR MANUAL	

	Q50G 4 10	TIE (Y1900221)	
	Q52G 1185 99	big carton tape for aoc	
	S95G179T30NE28	FFC CABLE 195MM P1.0 30P	
	756GHACB A1082	MAIN BOARD-CBPCANTA1H2	
SMTCA-U402	100GANS000W11	MCU ASS'Y-056G2233 11	
	808G2341VGAUS	2341VG Australia ASS'Y	
E08905	089G 175 8A C	USB CABLE 1800MM without PE bag	
E08905	089G 175 8A G	USB CABLE 1800MM without PE bag	2nd source
E08902	089G 715CAA01	SIGNAL CABLE	2nd source
E08902	089G 715GAA01	SIGNAL CABLE	2nd source
E08902	089G 715HAA01	SIGNAL CABLE	
E08903	089G1745CAA 9	DVI CABLE 1500	2nd source
E08903	089G1745GAA 9	DVI CABLE	2nd source
E08903	089G1745HAA 9	DVI CABLE 1.5M	
E08901	089G412A15NIS3	POWER CORD 1.5M	
	H26G 800504 2B	barcode	
	H40G 22N61565A	E2241VWA AP ID LABEL	
	H40G 58461532A	2341Vg 外销 carton label	
	H41G780061558B	WARRANTY CARD	
	808G2341VGHKG	2341VG Hong-Kong ASS'Y	
E08905	089G 175 8A C	USB CABLE 1800MM without PE bag	
E08905	089G 175 8A G	USB CABLE 1800MM without PE bag	2nd source
E08902	089G 715CAA01	SIGNAL CABLE	2nd source
E08902	089G 715GAA01	SIGNAL CABLE	2nd source
E08902	089G 715HAA01	SIGNAL CABLE	
E08903	089G1745CAA 9	DVI CABLE 1500	2nd source
E08903	089G1745GAA 9	DVI CABLE	2nd source
E08903	089G1745HAA 9	DVI CABLE 1.5M	
E08901	089G410A15N HL	AC POWER CORD 1500	
E08901	089G410A15N IS	AC POWER CORD 1500	2nd source
	H26G 800504 2B	barcode	
	H40G 22N61565A	E2241VWA AP ID LABEL	
	H40G 58461532A	2341Vg 外销 carton label	
	H41G780961529A	AP WARRANTY card	
	CBPCANTA1H2	MAIN BOARD	
CN402	033G3802 6B Y L	WAFER	
CN701	033G3802 9B Y L	CONN 2.0 9P	
CN408	033G801930F CH L	FFC CONNECTOR 30P 1.0pitch	
	040G 45762412B	CBPC LABEL	
R707	061G152M47964L SY	RST MOFR 4.7 OHM +-5% 2WS FUTABA	

CN101	088G 35315F CH	D-SUB CONN WITH SCREW 15P - -	
CN102	088G 35424F CH	DVI 24PIN CONN F ATTACHED SCREW	
X401	093G 2251B J	CRYSTAL 12MHZ NXS12.000AC30F-KAB10	
	709G3737 HM001	COMSUPTIVE ASS'Y	
E55	Q55G 100625	TIN STICK_LOW ARGENTUM	
C716	067G 3051007PB	EC 10UF 20% 50V 5*11	
C433	067G 3051013PB	EC 105C 100uF M 16V 5*11mm	
C702	067G 3051013PB	EC 105C 100uF M 16V 5*11mm	
C705	067G 3051013PB	EC 105C 100uF M 16V 5*11mm	
C710	067G 3051013PB	EC 105C 100uF M 16V 5*11mm	
U401	056G 562328	IC Scaler NT68668AUFQ QFP-128	
U703	056G 563206	IC LDO AP2114H-1.8TRG1 1A/1.8V SOT-223	
U701	056G 563224	IC LDO AP2114H-3.3TRG1 1A/3.3V SOT-223	
U107	056G 662502	IC ESD AZC199-04S.R7G SOT23-6L	
U106	056G 662502	IC ESD AZC199-04S.R7G SOT23-6L	
U104	056G 662502	IC ESD AZC199-04S.R7G SOT23-6L	
U103	056G 662502	IC ESD AZC199-04S.R7G SOT23-6L	
U102	056G 662502	IC ESD AZC199-04S.R7G SOT23-6L	
U105	056G1133531	EEPROM FM24C02A-SO-T-G 2K SOP-8	
U101	056G1133531	EEPROM FM24C02A-SO-T-G 2K SOP-8	
U402	056G2233 11	IC Pm25LD020C-SCE SIOC-8(150mil) 2M	
Q402	057G 417517	Tra LM3906LT1G -200mA/-40V SOT-23 LRC	
Q401	057G 417517	Tra LM3906LT1G -200mA/-40V SOT-23 LRC	
Q701	057G 417518	TRA LM3904LT1G 200mA/40V SOT-23 LRC	
Q706	057G 417518	TRA LM3904LT1G 200mA/40V SOT-23 LRC	
Q705	057G 763940	MOSFET AO3401A SOT-23	
R407	061G0402000 JF	RST CHIPR MAX0R05 1/16W FENGHUA	
R406	061G0402000 JF	RST CHIPR MAX0R05 1/16W FENGHUA	
R118	061G0402000 JF	RST CHIPR MAX0R05 1/16W FENGHUA	
R117	061G0402000 JF	RST CHIPR MAX0R05 1/16W FENGHUA	
R110	061G0402000 JF	RST CHIPR MAX0R05 1/16W FENGHUA	
R109	061G0402000 JF	RST CHIPR MAX0R05 1/16W FENGHUA	
R104	061G0402000 JF	RST CHIPR MAX0R05 1/16W FENGHUA	
R103	061G0402000 JF	RST CHIPR MAX0R05 1/16W FENGHUA	
R410	061G0402000 JF	RST CHIPR MAX0R05 1/16W FENGHUA	
R409	061G0402000 JF	RST CHIPR MAX0R05 1/16W FENGHUA	
R141	061G0402100 JF	RST CHIPR 10 OHM +-5% 1/16W FENGHUA	
R140	061G0402100 JF	RST CHIPR 10 OHM +-5% 1/16W FENGHUA	
R139	061G0402100 JF	RST CHIPR 10 OHM +-5% 1/16W FENGHUA	
R138	061G0402100 JF	RST CHIPR 10 OHM +-5% 1/16W FENGHUA	

R137	061G0402100 JF	RST CHIPR 10 OHM +-5% 1/16W FENGHUA	
R136	061G0402100 JF	RST CHIPR 10 OHM +-5% 1/16W FENGHUA	
R135	061G0402100 JF	RST CHIPR 10 OHM +-5% 1/16W FENGHUA	
R134	061G0402100 JF	RST CHIPR 10 OHM +-5% 1/16W FENGHUA	
R121	061G0402101 JF	RST CHIPR 100 OHM +-5% 1/16W FENGHUA	
R123	061G0402101 JF	RST CHIPR 100 OHM +-5% 1/16W FENGHUA	
R124	061G0402101 JF	RST CHIPR 100 OHM +-5% 1/16W FENGHUA	
R127	061G0402101 JF	RST CHIPR 100 OHM +-5% 1/16W FENGHUA	
R128	061G0402101 JF	RST CHIPR 100 OHM +-5% 1/16W FENGHUA	
R129	061G0402101 JF	RST CHIPR 100 OHM +-5% 1/16W FENGHUA	
R431	061G0402101 JF	RST CHIPR 100 OHM +-5% 1/16W FENGHUA	
R439	061G0402101 JF	RST CHIPR 100 OHM +-5% 1/16W FENGHUA	
R119	061G0402101 JF	RST CHIPR 100 OHM +-5% 1/16W FENGHUA	
R703	061G0402101 JF	RST CHIPR 100 OHM +-5% 1/16W FENGHUA	
R101	061G0402101 JF	RST CHIPR 100 OHM +-5% 1/16W FENGHUA	
R102	061G0402101 JF	RST CHIPR 100 OHM +-5% 1/16W FENGHUA	
R105	061G0402101 JF	RST CHIPR 100 OHM +-5% 1/16W FENGHUA	
R106	061G0402101 JF	RST CHIPR 100 OHM +-5% 1/16W FENGHUA	
R108	061G0402101 JF	RST CHIPR 100 OHM +-5% 1/16W FENGHUA	
R111	061G0402101 JF	RST CHIPR 100 OHM +-5% 1/16W FENGHUA	
R113	061G0402101 JF	RST CHIPR 100 OHM +-5% 1/16W FENGHUA	
R424	061G0402102 JF	RST CHIPR 1KOHM +-5% 1/16W FENGHUA	
R799	061G0402103 JF	RST CHIPR 10KOHM +-5% 1/16W FENGHUA	
R714	061G0402103 JF	RST CHIPR 10KOHM +-5% 1/16W FENGHUA	
R704	061G0402103 JF	RST CHIPR 10KOHM +-5% 1/16W FENGHUA	
R444	061G0402103 JF	RST CHIPR 10KOHM +-5% 1/16W FENGHUA	
R429	061G0402103 JF	RST CHIPR 10KOHM +-5% 1/16W FENGHUA	
R130	061G0402103 JF	RST CHIPR 10KOHM +-5% 1/16W FENGHUA	
R415	061G0402104 JF	RST CHIPR 100KOHM +-5% 1/16W FENGHUA	
R422	061G0402104 JF	RST CHIPR 100KOHM +-5% 1/16W FENGHUA	
R715	061G0402104 JF	RST CHIPR 100KOHM +-5% 1/16W FENGHUA	
R432	061G0402105 JF	RST CHIPR 1MOHM 5% 1/16W FENGHUA	
R125	061G0402222 JF	RST CHIPR 2.2KOHM +-5% 1/16W FENGHUA	
R126	061G0402222 JF	RST CHIPR 2.2KOHM +-5% 1/16W FENGHUA	
R719	061G0402223 JF	RST CHIPR 22KOHM 5% 1/16W FENGHUA	
R701	061G0402223 JF	RST CHIPR 22KOHM 5% 1/16W FENGHUA	
R427	061G0402223 JF	RST CHIPR 22KOHM 5% 1/16W FENGHUA	
R425	061G0402223 JF	RST CHIPR 22KOHM 5% 1/16W FENGHUA	
R133	061G0402223 JF	RST CHIPR 22KOHM 5% 1/16W FENGHUA	
R116	061G0402223 JF	RST CHIPR 22KOHM 5% 1/16W FENGHUA	

R423	061G0402224 JY	RST CHIPR 220KOHM +-5% 1/16W YAGEO	
R416	061G0402224 JY	RST CHIPR 220KOHM +-5% 1/16W YAGEO	
R401	061G0402392 JF	RST CHIPR 3.9KOHM +-5% 1/16W FENGHUA	
R404	061G0402392 JF	RST CHIPR 3.9KOHM +-5% 1/16W FENGHUA	
R405	061G0402392 JF	RST CHIPR 3.9KOHM +-5% 1/16W FENGHUA	
R419	061G0402394 JY	RST CHIP R 390K +/-5% 1/16W YAGEO	
R408	061G04024700FY	RST CHIP 470R 1/16W 1%	
R142	061G0402471 JF	RST CHIPR 470 OHM 5% 1/16W FENGHUA	
R721	061G0402472 JF	RST CHIPR 4.7KOHM +-5% 1/16W FENGHUA	
R702	061G0402472 JF	RST CHIPR 4.7KOHM +-5% 1/16W FENGHUA	
R132	061G0402472 JF	RST CHIPR 4.7KOHM +-5% 1/16W FENGHUA	
R131	061G0402472 JF	RST CHIPR 4.7KOHM +-5% 1/16W FENGHUA	
R411	061G0402472 JF	RST CHIPR 4.7KOHM +-5% 1/16W FENGHUA	
R413	061G0402472 JF	RST CHIPR 4.7KOHM +-5% 1/16W FENGHUA	
R115	061G0402472 JF	RST CHIPR 4.7KOHM +-5% 1/16W FENGHUA	
R114	061G0402472 JF	RST CHIPR 4.7KOHM +-5% 1/16W FENGHUA	
R107	061G04027509FF	RST CHIPR 75 OHM +-1% 1/16W FENGHUA	
R112	061G04027509FF	RST CHIPR 75 OHM +-1% 1/16W FENGHUA	
R120	061G04027509FF	RST CHIPR 75 OHM +-1% 1/16W FENGHUA	
R122	061G0603000 JF	RST CHIPR MAX 0R05 1/10W FENGHUA	
R418	061G0603102 JF	RST CHIPR 1K OHM +-5% 1/10W FENGHUA	
R417	061G0603471 JF	RST CHIPR 470OHM +-5% 1/10W FENGHUA	
FB701	061G0805000 JF	RST CHIPR 0 OHM +-5% 1/8W FENGHUA	
R449	061G1206221 JF	RST CHIPR 220 OHM +-5% 1/4W FENGHUA	
R448	061G1206221 JF	RST CHIPR 220 OHM +-5% 1/4W FENGHUA	
C120	065G040210232K A	CAP 0402 1NF K 50V X7R	
C412	065G040210425K T	CAP 0402 0.1uf 10% 25V X5R	
C417	065G040210425K T	CAP 0402 0.1uf 10% 25V X5R	
C418	065G040210425K T	CAP 0402 0.1uf 10% 25V X5R	
C419	065G040210425K T	CAP 0402 0.1uf 10% 25V X5R	
C422	065G040210425K T	CAP 0402 0.1uf 10% 25V X5R	
C425	065G040210425K T	CAP 0402 0.1uf 10% 25V X5R	
C427	065G040210425K T	CAP 0402 0.1uf 10% 25V X5R	
C434	065G040210425K T	CAP 0402 0.1uf 10% 25V X5R	
C701	065G040210425K T	CAP 0402 0.1uf 10% 25V X5R	
C703	065G040210425K T	CAP 0402 0.1uf 10% 25V X5R	
C704	065G040210425K T	CAP 0402 0.1uf 10% 25V X5R	
C706	065G040210425K T	CAP 0402 0.1uf 10% 25V X5R	
C707	065G040210425K T	CAP 0402 0.1uf 10% 25V X5R	
C712	065G040210425K T	CAP 0402 0.1uf 10% 25V X5R	

C713	065G040210425K	T	CAP 0402 0.1uf 10% 25V X5R	
C113	065G040210425K	T	CAP 0402 0.1uf 10% 25V X5R	
C114	065G040210425K	T	CAP 0402 0.1uf 10% 25V X5R	
C115	065G040210425K	T	CAP 0402 0.1uf 10% 25V X5R	
C117	065G040210425K	T	CAP 0402 0.1uf 10% 25V X5R	
C118	065G040210425K	T	CAP 0402 0.1uf 10% 25V X5R	
C119	065G040210425K	T	CAP 0402 0.1uf 10% 25V X5R	
C401	065G040210425K	T	CAP 0402 0.1uf 10% 25V X5R	
C402	065G040210425K	T	CAP 0402 0.1uf 10% 25V X5R	
C411	065G040210425K	T	CAP 0402 0.1uf 10% 25V X5R	
C410	065G040210425K	T	CAP 0402 0.1uf 10% 25V X5R	
C409	065G040210425K	T	CAP 0402 0.1uf 10% 25V X5R	
C408	065G040210425K	T	CAP 0402 0.1uf 10% 25V X5R	
C407	065G040210425K	T	CAP 0402 0.1uf 10% 25V X5R	
C405	065G040210425K	T	CAP 0402 0.1uf 10% 25V X5R	
C403	065G040210425K	T	CAP 0402 0.1uf 10% 25V X5R	
C424	065G0402105A5K	T	CAP CHIP 0402 1uF K 10V X5R	
C415	065G0402105A5K	T	CAP CHIP 0402 1uF K 10V X5R	
C414	065G0402105A5K	T	CAP CHIP 0402 1uF K 10V X5R	
C406	065G0402105A5K	T	CAP CHIP 0402 1uF K 10V X5R	
C428	065G040222031J	A	CAP 0402 22PF J 50V NPO	
C426	065G040222031J	A	CAP 0402 22PF J 50V NPO	
C182	065G040222031J	A	CAP 0402 22PF J 50V NPO	
C181	065G040222031J	A	CAP 0402 22PF J 50V NPO	
C101	065G040222415K	T	CAP CHIP 0402 220nF K 16V X5R	
C116	065G040222415K	T	CAP CHIP 0402 220nF K 16V X5R	
C429	065G040222415K	T	CAP CHIP 0402 220nF K 16V X5R	
C715	065G040222415K	T	CAP CHIP 0402 220nF K 16V X5R	
C718	065G040222415K	T	CAP CHIP 0402 220nF K 16V X5R	
C102	065G040247312K	T	CAP 0402 47NF 10% 16V X7R	
C104	065G040247312K	T	CAP 0402 47NF 10% 16V X7R	
C105	065G040247312K	T	CAP 0402 47NF 10% 16V X7R	
C107	065G040247312K	T	CAP 0402 47NF 10% 16V X7R	
C108	065G040247312K	T	CAP 0402 47NF 10% 16V X7R	
C110	065G040247312K	T	CAP 0402 47NF 10% 16V X7R	
C103	065G040250931C	Y	CAP CHIP 0402 5PF 50V NPO +/-0.25pF	
C106	065G040250931C	Y	CAP CHIP 0402 5PF 50V NPO +/-0.25pF	
C109	065G040250931C	Y	CAP CHIP 0402 5PF 50V NPO +/-0.25pF	
C423	065G0805475A2K	Y	CAP CHIP 0805 4.7UF K 10V X7R	
C421	065G0805475A2K	Y	CAP CHIP 0805 4.7UF K 10V X7R	

C416	065G0805475A2K Y	CAP CHIP 0805 4.7UF K 10V X7R	
C413	065G0805475A2K Y	CAP CHIP 0805 4.7UF K 10V X7R	
C404	065G0805475A2K Y	CAP CHIP 0805 4.7UF K 10V X7R	
FB409	071G 56K121 M	CHIP BEAD 120OHM 6A MGLB2012-120T-LF	
FB408	071G 56V301 M	CHIP BEAD 2012 300 OHM	
FB405	071G 56V301 M	CHIP BEAD 2012 300 OHM	
FB404	071G 56V301 M	CHIP BEAD 2012 300 OHM	
FB403	071G 56V301 M	CHIP BEAD 2012 300 OHM	
FB402	071G 56V301 M	CHIP BEAD 2012 300 OHM	
FB401	071G 56V301 M	CHIP BEAD 2012 300 OHM	
D101	093G 64 42 L	DIODE LBAV70LT1G SOT-23 LRC	
D102	093G 64 42 L	DIODE LBAV70LT1G SOT-23 LRC	
ZD101	093G 39GA01 T	RLZ5.6B	
ZD102	093G 39GA01 T	RLZ5.6B	
D402	093G 39S 24 T	RLZ 5.6B LLDS	
D403	093G 39S 24 T	RLZ 5.6B LLDS	
	709G3737 HS001	COMSUPTIVE ASS'Y	
E715	715G3737M02000004L	MAIN BOARD PCB	2nd source
E715	715G3737M02000004S	MAIN BOARD PCB	
	H52G1701 1	MESH PRINTTING_PAPER	
	KEPCAH3	KEY BOARD	
SW001	077G 5005A1 XL	DOME SW 5 3703701	
CN001	033G8032 6F X	WAFER 6P 1.25MM	
R003	061G0603000 JF	RST CHIPR MAX 0R05 1/10W FENGHUA	
R005	061G0603100 1F	RST CHIPR 1 KOHM +-1% 1/10W	
R002	061G0603200 1F	RST CHIPR 2 KOHM +-1% 1/10W	
R004	061G0603200 1F	RST CHIPR 2 KOHM +-1% 1/10W	
LED01	081G 14501 GP	LED GPTD1210YGC3-HB	
E715	715G4007K01000004F	KEY BOARD PCB	
E715	715G4007K01000004L	KEY BOARD PCB	2nd source
	PWPCAD21SHD1	POWER BOARD	
GND1	009G6005 1	GROUND TERMINAL	
CN801	033G8021 2E F	CONNECTOR	
CN803	033G8021 2E F	CONNECTOR	
	040G 45762412B	CBPC LABEL	
IC902	056G 139 3A	PC123Y22FZOF SHARP	
NR901	061G 58100 WD	RST NTCR 10 OHM +-20% 5A THINKING	
C908	063G107K334 6S	0.33UF +-10%	
C817	065G 6J2096ET	2PF 5% SL 6KV	
C902	065G305M1022BP	CAP Y2 1000PF M 250VAC	

C903	065G305M1022BP	CAP Y2 1000PF M 250VAC	
C900	065G306M3322BP	Y1 CAP 3300PF M 250VAC	
C804	067G215A1024LV	EC 1000UF 20% 25V 12.5*20	
C918	067G215A1024LV	EC 1000UF 20% 25V 12.5*20	
C925	067G215D4714LV	LOW ESR EC 470uF 25V M 10*16mm	
C922	067G215S4713LV	LOW ESR EC 470uF 16V M 10*12.5mm	
C907	067G315Z10115K	EC 100UF 20% 450V 18*40	
L901	073G 174 65 S2	LINE FILTER 30mH MIN	
L905	073G 253 91 L	CHOKE BY LI TA	
L906	073G 253 91 L	CHOKE BY LI TA	
T901	080GL22T 3 N1	X'FMR 490uH YUVA-1093	
CN901	087G 501 32 S	AC SOCKET ST-01CP-BCE-R	
CN902	095G 825 9D518	HARNESS 9P-9P 120	
CN902	095G 825 9T518	HARNESS 9P-9P 120MM	2nd source
	705GQ793081	D901/D906 ASS'Y	
	705GQA57024	Q901 ASS'Y	
	709G2892 HM001	CONSUMPTIVE ASS'Y	
PT801	S80GL24T23V	XFMR POWER 68uH TPV-PT VOC	
BD901	093G 50460 28	BRIDGE DIODE KBP208G LITEON	
D901	093G 52 69	DIODE YG902C2RSC 10A/200V TO-220F15	
D906	093G 60526	SCHOTTKY MBRF1060CT ITO-220AB	
	0M1G 930 8120	SCREW	
HS2	Q90G6264 5	HEAT SINK	
Q901	057G 667924	MOSFET SMK0965F	
HS1	090G6064 1	HEAT SINK	
	0M1G 930 8120	SCREW	
	Q55G 100625	TIN STICK_LOW ARGENTUM	
E55	055G 23524	WELDING FLUX WITHOUT PB	
	Q51G 6 4509	GLUE_RTV	
IC901	056G 379160	IC FAN6752MY SOP-7	
IC801	056G 608 12	IC ta9687GN-A-0-TR SOP-16	
Q805	057G 763 91	ET AO4620 7.2A/30V -5.3A/-30V SOIC-8	
Q806	057G 763 91	ET AO4620 7.2A/30V -5.3A/-30V SOIC-8	
Q802	057G 763511	MOSFET SRK7002LT1G SOT-23 LRC	
R821	061G0603100 JT	RST CHIP 10R 1/10W 5% TZAI YUAN	
R820	061G0603100 JT	RST CHIP 10R 1/10W 5% TZAI YUAN	
R907	061G06031001FT	RST CHIP 1K 1/10W 1%	
R918	061G06031002FT	RST CHIP 10K 1/10W 1%	
R807	061G0603103 JT	RST CHIP 10K 1/10W 5% TZAI YUAN	
R806	061G0603104 JT	RST CHIP 100K 1/10W 5% TZAI YUAN	

R813	061G0603104 JT	RST CHIP 100K 1/10W 5% TZAI YUAN	
R809	061G0603105 JF	RST CHIPR 1M OHM +-5% 1/10W FENGHUA	
R916	061G06032002FF	RST CHIPR 20KOHM +-1% 1/10W FENGHUA	
R925	061G06032002FF	RST CHIPR 20KOHM +-1% 1/10W FENGHUA	
R928	061G06032002FF	RST CHIPR 20KOHM +-1% 1/10W FENGHUA	
R808	061G0603390 0F	RST CHIPR 390 OHM +-1% 1/10W	
R920	061G06034701FT	RST CHIP 4K7 1/10W 1%	
R905	061G0603471 JT	RST CHIPR 470OHM +-5% 1/10W TZAI YUAN	
R836	061G0603563 JF	RST CHIPR 56KOHM 5% 1/10W FENGHUA	
R837	061G06036801FF	RST CHIPR 6.8KOHM +-1% 1/10W FENGHUA	
RJ803	061G0805000 JF	RST CHIPR 0 OHM +-5% 1/8W FENGHUA	
RJ804	061G0805000 JF	RST CHIPR 0 OHM +-5% 1/8W FENGHUA	
R801	061G08051002FF	RST CHIPR 10KOHM +-1% 1/8W FENGHUA	
R812	061G08051003FF	RST CHIPR 100KOHM +-1% 1/8W FENGHUA	
R802	061G0805220 JT	RST CHIPR 220OHM +-5% 1/8W TZAI YUAN	
R819	061G0805229 JT	RST CHIPR 2R2 +-5% 1/8W TZAI YUAN	
R818	061G0805229 JT	RST CHIPR 2R2 +-5% 1/8W TZAI YUAN	
R817	061G0805229 JT	RST CHIPR 2R2 +-5% 1/8W TZAI YUAN	
R816	061G0805229 JT	RST CHIPR 2R2 +-5% 1/8W TZAI YUAN	
R823	061G0805471 JF	RST CHIPR 470 OHM +-5% 1/8W FENGHUA	
R919	061G0805471 JT	RST CHIPR 470OHM +-5% 1/8W TZAI YUAN	
R803	061G0805512 JT	RST CHIPR 5K1 +-5% 1/8W TZAI YUAN	
R804	061G0805512 JT	RST CHIPR 5K1 +-5% 1/8W TZAI YUAN	
R830	061G0805622 JT	RST CHIPR 6K2 +-5% 1/8W TZAI YUAN	
R810	061G08057502FT	RST CHIP R 75 KOHM +-1% 1/8W	
R811	061G08058202FT	RST CHIPR 82K +-1% 1/8W TZAI YUAN	
RJ814	061G1206000 JT	RST CHIPR MAX0R05 1/4W TZAI YUAN	
RJ811	061G1206000 JT	RST CHIPR MAX0R05 1/4W TZAI YUAN	
RJ810	061G1206000 JT	RST CHIPR MAX0R05 1/4W TZAI YUAN	
RJ802	061G1206000 JT	RST CHIPR MAX0R05 1/4W TZAI YUAN	
RJ816	061G12060007JT	RST CHIPR MAX 0R05 1/4W 1206	
R900	061G12061004FT	RST CHIP R 1 MOHM +-1% 1/4W	
R901	061G12061004FT	RST CHIP R 1 MOHM +-1% 1/4W	
R902	061G12061004FT	RST CHIP R 1 MOHM +-1% 1/4W	
R923	061G1206101 JF	RST CHIPR 100 OHM +-5% 1/4W FENGHUA	
R903	061G1206101 JT	RST CHIPR 100 OHM +-5% 1/4W TZAI YUAN	
R934	061G12062003FF	RST CHIPR 200KOHM +-1% 1/4W FENGHUA	
R908	061G1206204 JF	RST CHIPR 200KOHM +-5% 1/4W FENGHUA	
R917	061G1206330 JT	RST CHIP R 33ohm 1/4W +/-5%	
R822	061G1206471 JT	RST CHIPR 470 OHM +-5% 1/4W TZAI YUAN	

R913	061G1206519 JT		RST CHIPR 5.1 OHM +-5% 1/4W TZAI YUAN	
R933	061G12066804FF		RST CHIPR 6.8MOHM 1% 1/4W FENGHUA	
R932	061G12066804FF		RST CHIPR 6.8MOHM 1% 1/4W FENGHUA	
R931	061G12066804FF		RST CHIPR 6.8MOHM 1% 1/4W FENGHUA	
C923	065G060310232K	A	CAP CHIP 0603 1000pF K 50V X7R	
C924	065G0603104 12		CER2 0603 X7R 16V 100N P	
C926	065G0603104 12		CER2 0603 X7R 16V 100N P	
C814	065G060322131J	A	CAP CHIP 0603 220PF J 50V NPO	
C810	065G060322232K	A	CAP 0603 2.2NF K 50V X7R	
C805	065G060322332K	A	CAP CHIP 0603 22NF K 50V X7R	
C807	065G060333232K	F	CAP CHIP 0603 3.3NF K 50V X7R	
C808	065G060333332K	A	CAP CHIP 0603 33nF K 50V X7R	
C914	065G060347131J	F	CAP CHIP 0603 470PF J 50V NPO	
C915	065G080510232K	F	CAP 0805 1000PF 10% 50V X7R	
C912	065G080510432K	A	CAP CHIP 0805 0.1UF K 50V X7R	
C815	065G080510432K	A	CAP CHIP 0805 0.1UF K 50V X7R	
C811	065G080510432K	A	CAP CHIP 0805 0.1UF K 50V X7R	
C927	065G080510522K	T	CAP 0805 1UF 10% 25V X7R	
C818	065G0805155A2K	T	NO-SUGGEST 0805 1.5uF K 10V X7R	
C809	065G080522131J	F	CAP CHIP 0805 220PF J 50V NPO	
C806	065G080522512K	M	CAP 0805 2.2UF 10% 16V X7R	
C801	065G080547332K	F	CAP CHIP 0805 47NF K 50V X7R	
C802	065G080547332K	F	CAP CHIP 0805 47NF K 50V X7R	
C916	065G120610272K	F	CAP 1206 1NF 10% 500V X7R	
C917	065G120610272K	F	CAP 1206 1NF 10% 500V X7R	
C803	065G120610432K	F	CAP CHIP 1206 0.1UF K 50V X7R	
D806	093G 64 42 L		DIODE LBAV70LT1G SOT-23 LRC	
D803	093G 6433S		BAV99_SOT-23	
ZD802	093G 39GA01	T	RLZ5.6B	
ZD803	093G 39GA01	T	RLZ5.6B	
CN901	006G 31500		EYELET	
PT801	006G 31502		1.5MM RIVET	
IC903	056G 158 12		Shunt Regulator KIA431A-AT/P TO-92	
Q904	057G 530503	T	2SD1207T	
R906	061G152M10452T	SY	RST MOFR 100KOHM +-5% 2WS FUTABA	
R924	061G152M33852T	SY	RST MOF 0R33 5% 2W	
R915	061G152M68152T	SY	RST MOF 680R 5% 2WS	
R911	061G152M68152T	SY	RST MOF 680R 5% 2WS	
R828	061G211S62552T	SY	MGFR 6.2MOHM +-5% 1WS FUTABA	
C911	065G 2K152 2T6921		CAP CER 1500pF K 2KV Y5P	

C920	067G 2046812KT	CS CAP 680uF 10V 8*11 mm	
C913	067G215Y2207KT	CAP 105°C 22UF M 50V KINGNICH	
FB902	071G 55 9 T	BEAD 3.5*0.8*6.0mm 110R 25% HF	
FB901	071G 55 29	FERRITE BEAD	
F901	084G 56 4W	FUSE 4A 250V	
F902	084G 56 4W	FUSE 4A 250V	
ZD901	093G 3957952T	GDZJ18C	
D904	093G 6038T52T	FR103 AO	
D801	093G 6452452T	SWITCHING 1N4148-B4006 0.2A 100V DO-35	
J823	095G 90 23	JUMPER WIRE	
J901	095G 90 23	JUMPER WIRE	
J902	095G 90 23	JUMPER WIRE	
J903	095G 90 23	JUMPER WIRE	
J904	095G 90 23	JUMPER WIRE	
J905	095G 90 23	JUMPER WIRE	
J906	095G 90 23	JUMPER WIRE	
J907	095G 90 23	JUMPER WIRE	
J909	095G 90 23	JUMPER WIRE	
J910	095G 90 23	JUMPER WIRE	
J911	095G 90 23	JUMPER WIRE	
J921	095G 90 23	JUMPER WIRE	
J908	095G 90 23	JUMPER WIRE	
J912	095G 90 23	JUMPER WIRE	
C819	095G 90 23	JUMPER WIRE	
C821	095G 90 23	JUMPER WIRE	
FB602	095G 90 23	JUMPER WIRE	
J604	095G 90 23	JUMPER WIRE	
J806	095G 90 23	JUMPER WIRE	
J810	095G 90 23	JUMPER WIRE	
J816	095G 90 23	JUMPER WIRE	
J817	095G 90 23	JUMPER WIRE	
J818	095G 90 23	JUMPER WIRE	
J819	095G 90 23	JUMPER WIRE	
J822	095G 90 23	JUMPER WIRE	
	709G2892 HA001	CONSUMPTIVE ASS'Y	
	715G2892P02016001S	POWER BOARD PCB	
D903	093G 6026T52T	CTIFIER DIODE FR107	
	USBAHA1	USB BOARD	
CN512	088G 352 21CL	USB CONN TYPE A	
CN511	311GW200A05ABX	WAFER 2.0mm 5P	

E715	715G2663T01001001C	USB BOARD PCB	
	USBAHA6	USB BOARD	
CN501	033G3802 5B Y L	CONNECTOR 5P 2.0	
CN502	088G 3513B1 CL	USB CONN BLACK	
E09505	095G8014 5DH15	HARNESS 5P(2008)-5P(2008) 300mm	
E09505	095G8014 5WH15	HARNESS 5P(2008)-5P(2008) 300mm	2nd source
C503	065G0603104 12	CER2 0603 X7R 16V 100N P	
C501	065G0603509 31	CHIP 5PF +-0.5PF 50V NPO	
C502	065G0603509 31	CHIP 5PF +-0.5PF 50V NPO	
FB501	071G 56K121 M	CHIP BEAD 120OHM 6A MGLB2012-120T-LF	
	715G3501 2	USB BOARD PCB	