

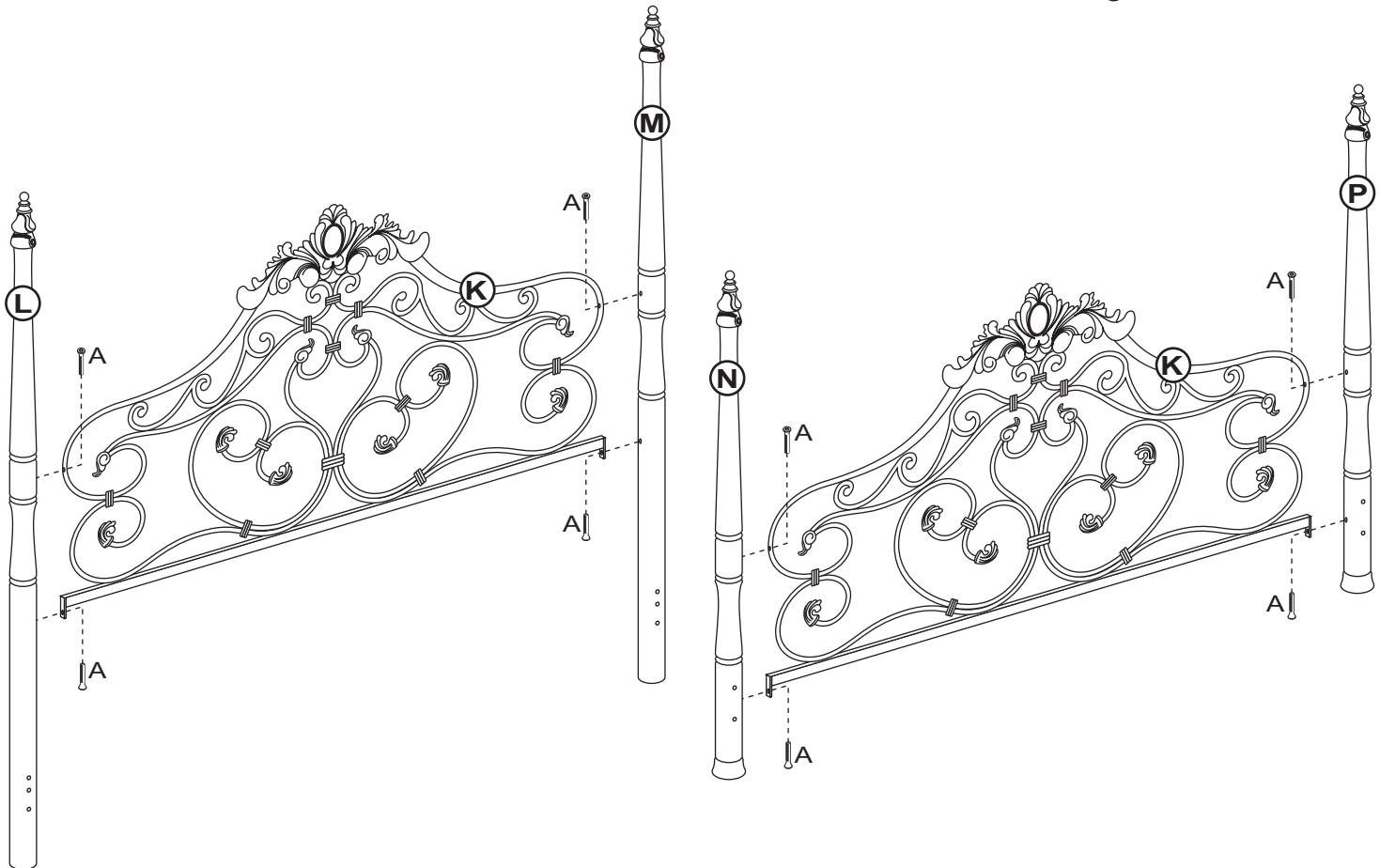
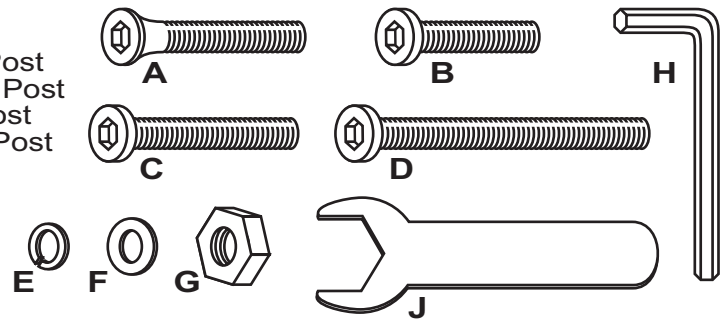
Examine all packaging material for small parts that may have come loose during shipment. Periodic checks are recommended to insure that all components are in proper position, tight and free from damage. Keep this assembly instruction for future reference. Adult assembly is required. Customer Service Phone Number: 502-562-0000

**HARDWARE LIST**

- A (8) Counter Bolts 1/4" x 1-1/4"
- B (8) Allen Bolts 1/4" x 1"
- C (6) Allen Bolts 1/4" x 1-1/2"
- D (6) Allen Bolts 1/4" x 2-1/4"
- E (8) Spring Washers 1/4"
- F (8) Flat Washers 1/4"
- G (6) Hex Nuts 1/4"
- H (1) Allen Wrench
- J (1) Hex Wrench

**PARTS LIST**

- K (2) Bed Grills
- L (1) Left Headboard Post
- M (1) Right Headboard Post
- N (1) Left Footboard Post
- P (1) Right Footboard Post
- R (2) Side Rails
- S (3) Support Rails
- T (3) Support Feet



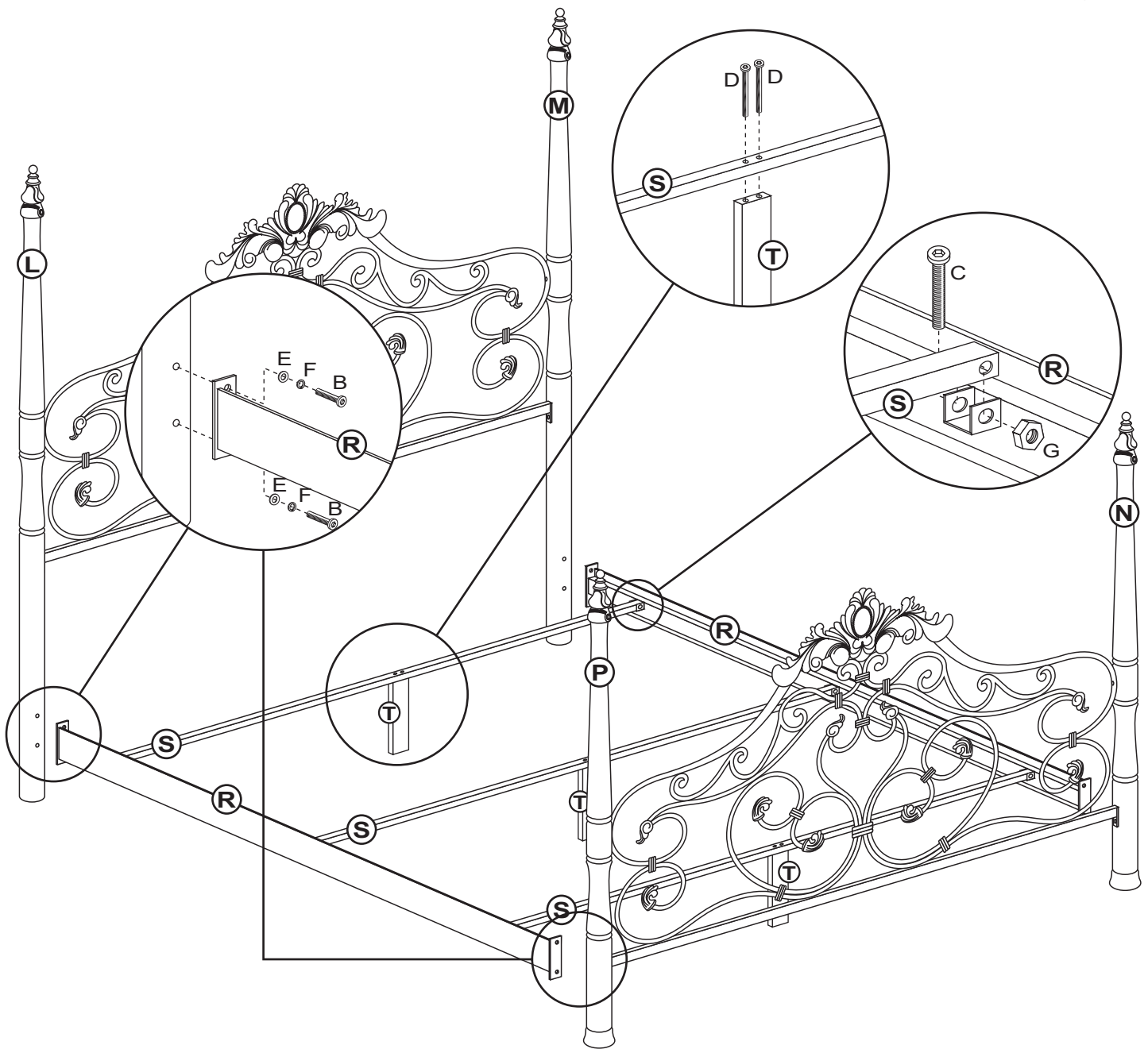
**STEP 1**

Begin assembly by attaching each Left & Right Headboard Post (L & M) to ONE Bed Grill (K) using 2 Counter Bolts (A) per each side. Tighten all bolts using the Allen Wrench (H) that has been provided.

**STEP 2**

Next attach each Left & Right Footboard Post (N & P) to the REMAINING Bed Grill (K) also using 2 Counter Bolts (A) per each side. Tighten all bolts.

See next page for more assembly.



### **STEP 3**

Attach each Side Rail (R) to each Headboard & Footboard Post (L & M, N & P) using 2 Allen Bolts (B), 2 Spring Washers (E) & 2 Flat Washers (F) per each side. Do not fully tighten bolts for this step.

### **STEP 4**

Next attach one Support Foot (T) to the bottom side of each Support Rail (S) using 2 Allen Bolts (D) to secure in place. Tighten each bolt.

### **STEP 5**

Finally attach each Support Rail (S) to the inside of each Side Rail (R) by fitting in place. Once in place, secure using 1 Allen Bolt (C) & 1 Hex Nut (G) per each end. Tighten all nuts using the Hex Wrench (J) that has been provided. Tighten all bolts from Step 3. The assembly is now complete.

**CARE & MAINTENANCE:** The touch of a soft cloth is all the maintenance the finish will ever need. Please do not use harsh or abrasive cleaners for polishing, as they may cause damage to the finish. Periodic checks are recommended to make sure that all bolts, screws and nuts are securely tightened.