



Winsloh Headboard

Model # 164-00 Post Kit

Model # 164-34 Twin

Model # 164-67 King

Customer Service

Phone Number:

502 562-0000

Date: 10-23-02

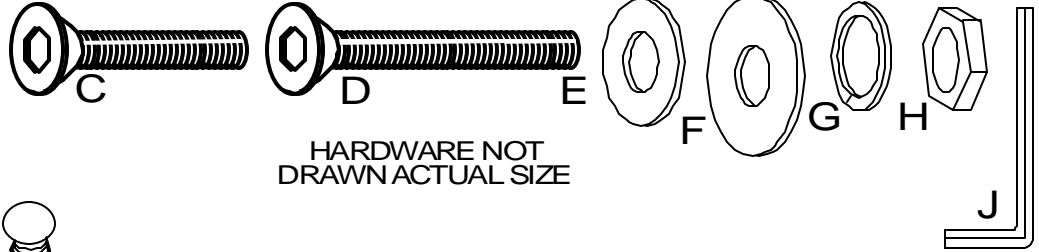
UNLESS OTHERWISE STATED, PLEASE DO NOT TIGHTEN BOLTS (AND/OR) SCREWS UNTIL UNIT IS COMPLETELY ASSEMBLED ON A FLAT SURFACE. Examine all packaging material for small parts that may have come loose during shipment. Periodic checks are recommended to insure that all components are in proper position, tight and free from damage. Keep this assembly instruction for future reference. Adult assembly required. Online Parts Request Form: www.hillsdalehouse.com/parts_request.html

PARTS LIST

- A (1) Headboard Panel
- B (2) Wood Posts

HARDWARE LIST

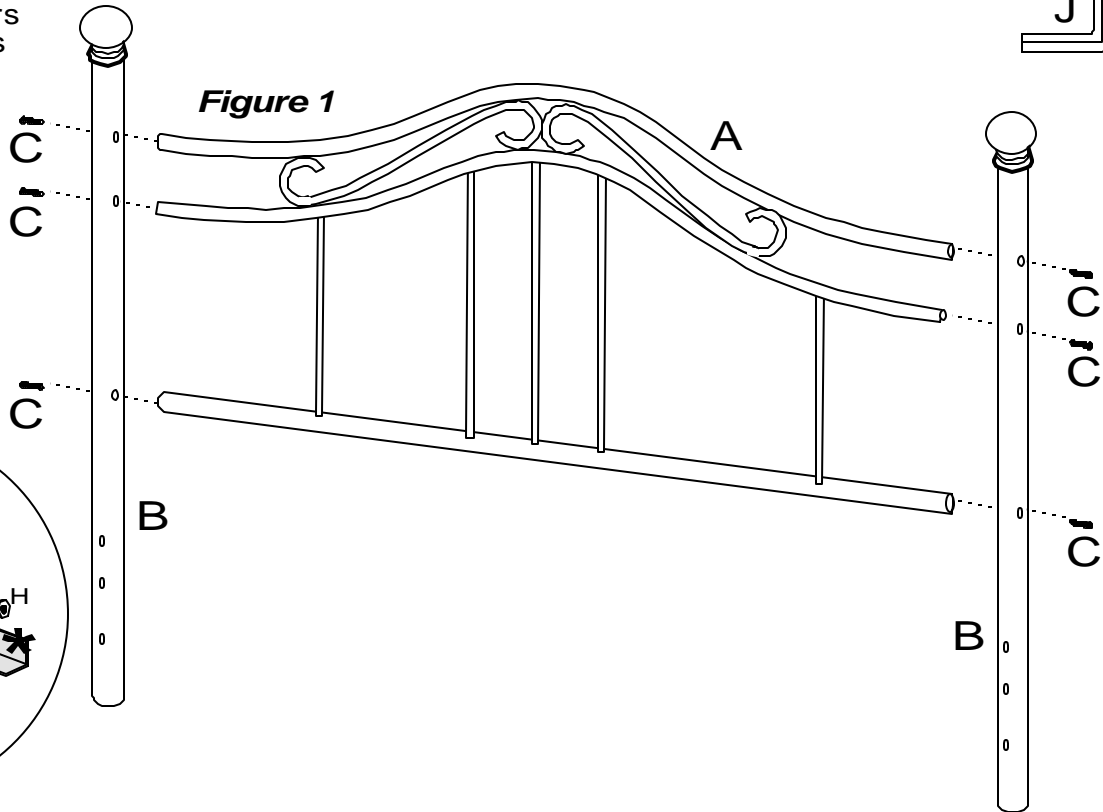
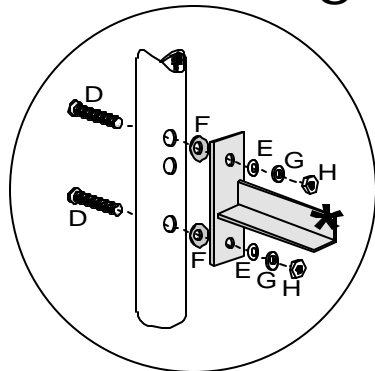
- C (6) Short Allen Bolts
- D (4) Long Allen Bolts
- E (4) Metal Washers
- F (4) Rubber Washers
- G (4) Spring Washers
- H (4) Hex Nuts
- J (1) Allen Wrench



HARDWARE NOT DRAWN ACTUAL SIZE

* BED FRAME NOT IN INCLUDED

Figure 2



STEP 1

Attach Bed Posts (B) to Headboard Panel (A), using 3 Medium Allen Bolts (D) per each side. Tighten All Bolts. See Figure 1.

STEP 2

Attach Bed Frame (*Not Included) to each Post (B), using 2 Long Allen Bolts (K), 2 Rubber Washers (F), 2 Metal Washers (E), 2 Spring Washers (G) & 2 Hex Nuts (H) per each side. Tighten All Bolts & Nuts. See Figure 2. Assembly Is Now Complete.

CARE & MAINTENANCE The touch of a soft cloth is all the maintenance the finish of your new WINSLOH HEADBOARD will ever need. Never use harsh or abrasive cleaners for polishing. Periodic checks are recommended to make sure that all bolts, screws and nuts are securely tightened.