

Examine all packaging material for small parts that may have come loose during shipment. Periodic checks are recommended to insure that all components are in proper position, tight and free from damage. Keep this assembly instruction for future reference. Adult assembly required. Online Parts Request: parts.request@hillsdalefurniture.com - Customer Service Phone Number: 502-562-0000

HARDWARE LIST

- A (8) Long Allen Bolts 1/4" x 2-1/2"
- B (4) Medium Allen Bolts 1/4" x 1-3/4"
- C (4) Short Allen Bolts 1/4" x 1"
- D (8) Flat Washers
- E (8) Rubber Washers
- F (4) Hex Nuts
- G (1) Allen Wrench
- H (2) Casters
- J (4) Foot Glides

PARTS LIST

- K (1) Headboard Grill
- L (2) Headboard Posts
- M (1) Footboard Grill
- N (2) Footboard Posts

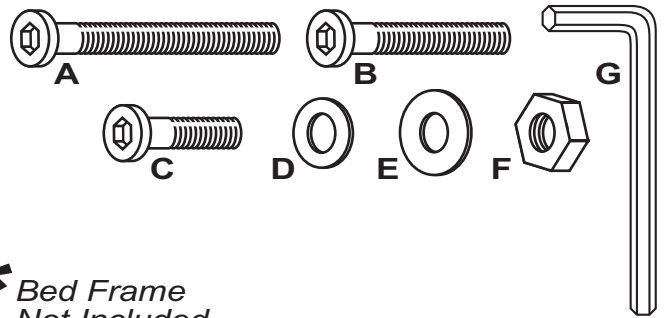


FIGURE 1

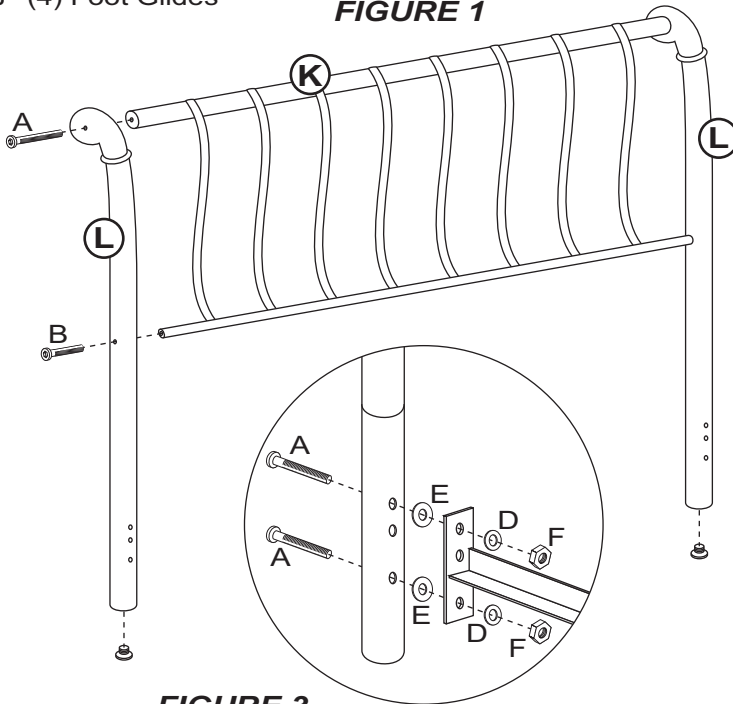


FIGURE 3

* *Bed Frame Not Included As Shown In Figures 3 & 4.*

FIGURE 2

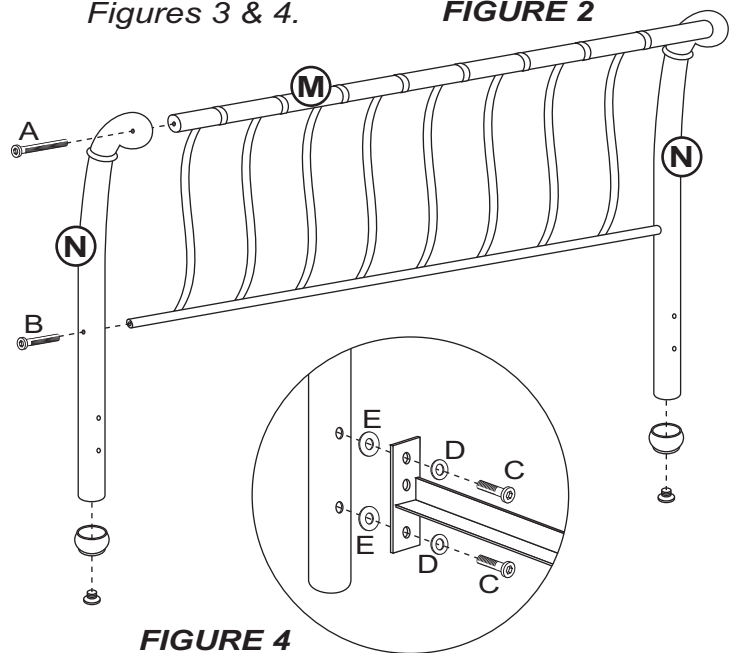


FIGURE 4

STEP 1 - See Figure 1

Begin assembly by attaching each Headboard Post (L) to the Headboard Grill (K) using 1 Long Allen Bolt (A) at the top per each side and 1 Medium Allen Bolt (B) at the bottom per each side. Tighten all bolts using the Allen Wrench (G) provided. Once assembled, insert one Foot Glide (J) into the bottom of each post.

STEP 2 - See Figure 2

Next, attach each Footboard Post (N) to the Footboard Grill (M) using 1 Long Allen Bolt (A) at the top per each side and 1 Medium Allen Bolt (B) at the bottom per each side. Tighten all bolts using the Allen Wrench (G) provided. Once assembled, attach each Caster (H) to the bottom of each post and then insert one Foot Glide (J) into the bottom.

STEP 3 - See Figure 3

Attach Bed Frame (*Not Included) to each Headboard Post (L) using 2 Long Allen Bolts (A) from the back, 2 Rubber Washers (E), 2 Flat Washers (D) & 2 Hex Nuts (F) per each side. Tighten all bolts and nuts.

STEP 4 - See Figure 4

Attach Bed Frame (*Not Included) to each Footboard Post (N) using 2 Short Allen Bolts (C), 2 Flat Washers (D) & 2 Rubber Washers (E) per each side. Tighten all bolts. The assembly of your new bed is now complete.

CARE & MAINTENANCE: The touch of a soft cloth is all the maintenance the finish will ever need. Please do not use harsh or abrasive cleaners for polishing, as they may cause damage to the finish. Periodic checks are recommended to make sure that all bolts, screws and nuts are securely tightened.