

Electrolux

DITO

**Greens Machine Series
VP-1 – 20 gal. Vegetable Dryer**



640 N. Capitol Ave.
Indianapolis, IN 46204
800-729-5051

Electrolux
DITO



**Greens Machine Series
VP-1 – 20 gal. Vegetable Dryer**

601559 (VP-1) VP-1 20 gal. Stainless Steel Dryer
115 V/1p/60Hz

Short Form Specification

Item No. _____

Unit to be Electrolux Dito VP-1 – 20 gal. Vegetable Dryer. Electrical characteristics to be 115 V SINGLE-phase operation with Single speed at 406 rpm. Heavy duty Stainless steel body with an ergonomic design for easy use and cleanability.

Main features

- Easy to Reach Control Knob with adjustable ON/OFF 5 minute timer.
- Easy Lock Casters
- Easy Cleaning
- Easy to load Polyethylene Inner Basket with Handle Grips
- Sturdy Polyethylene base totally sealed
- Balanced Stainless steel driver, easy to remove for cleaning
- Stainless Steel Tub & Lid Dimensions:
 - Height: 32.5"
 - Diameter: 27"
- Shipping Weight: 80 lbs
- Space Required: 26.5" wide
- Built in water drain reservoir.
- Inner Liner Capacity: 20 gal./18 lbs.
 - Height: 17"
 - Diameter: 15.68"
- ETL electrical and sanitation listed.
- NEMA # : 5-15P with 8' cord.
- 2 year parts warranty, 1 year labor.

Optional Accessories

- Extra inner liner (PNC 653626)
- Stainless steel lid (PNC 653628)
- White polyethylene inner lid (PNC 653629)
- White polyethylene inner liner (PNC 653630)



NEMA #: 5-15P

Approval: _____

Electrolux Professional, Inc.

www.electroluxusa.com/professional

3225 SW 42nd Street, Fort Lauderdale, Florida, 33312 • Telephone Number: 866-449-4200 • Fax Number: 954-327-6789

**Greens Machine Series
VP-1 – 20 gal. Vegetable Dryer**

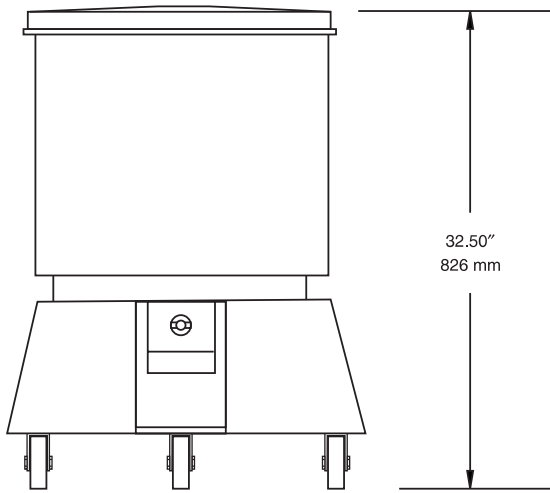
Greens Machine Series
VP-1 – 20 gal. Vegetable Dryer

Electric

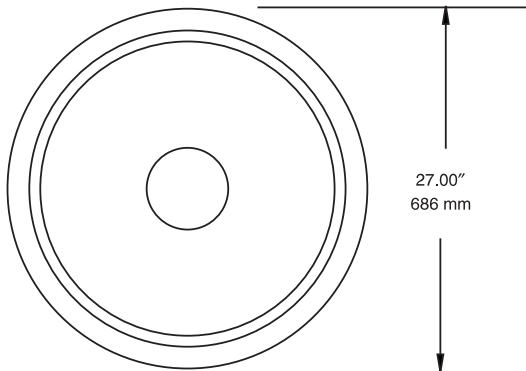
Supply voltage:
601559 (VP1)

115 V/1p/60Hz - 2.7A

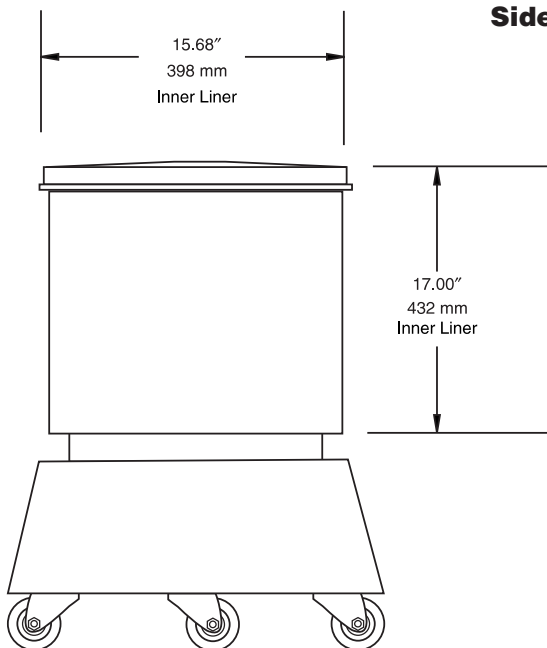
Front View



Top View



Side View



Greens Machine Series
VP-1 – 20 gal. Vegetable Dryer

The company reserves the right to make modifications to the products without prior notice. All information correct at time of printing.