



# Illustrated Parts List

## Model Series

# 124T00

TYPE NUMBERS  
0101 through 6952.

### TABLE OF CONTENTS

Air Cleaner .....	5
Alternator .....	6
Blower Housing .....	8
Blower Housing-Shrouds .....	7
Camshaft .....	2
Carburetor .....	3
Carburetor .....	4
Controls .....	6
Crankshaft .....	2
Cylinder .....	2
Electric Starter .....	8
Electrical .....	6
Engine Sump .....	2
Exhaust System .....	5
Flywheel .....	8
Flywheel Brake .....	6
Fuel Supply .....	4
Governor Spring .....	6
Ignition .....	6
Kits/Gaskets .....	9
Lubrication .....	2
Piston Group .....	2
Rewind Starter .....	8
Valves .....	2

Not for reproduction



PRINTED IN U.S.A.

COPYRIGHT by BRIGGS & STRATTON CORPORATION  
All rights reserved. No part of this material may be reproduced or transmitted, in any form or by any means, electronic or mechanical, including photocopying, recording or by any information storage and retrieval system, without permission in writing from Briggs & Stratton Corporation.

# 124T00

1319 WARNING LABEL

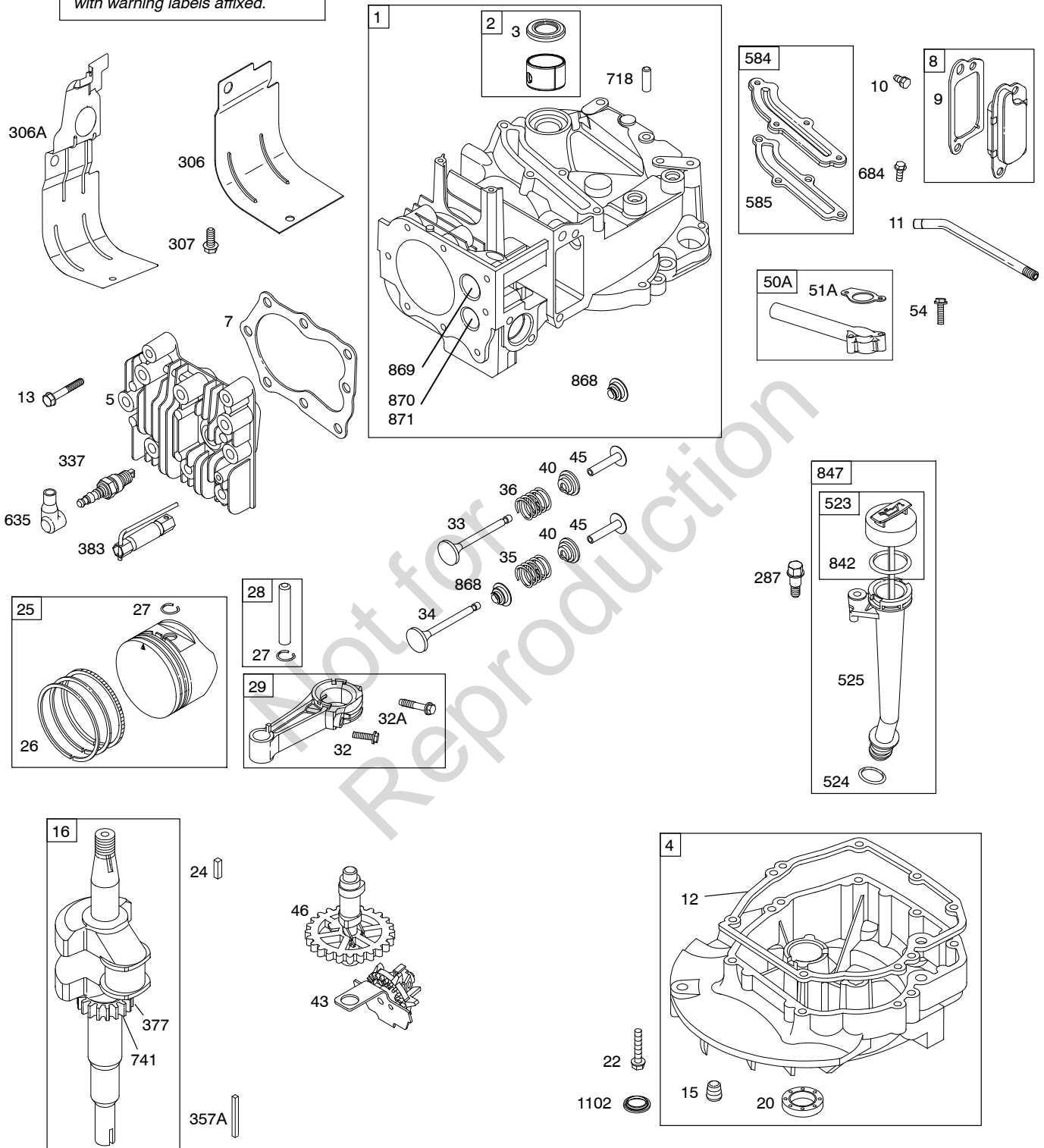


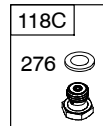
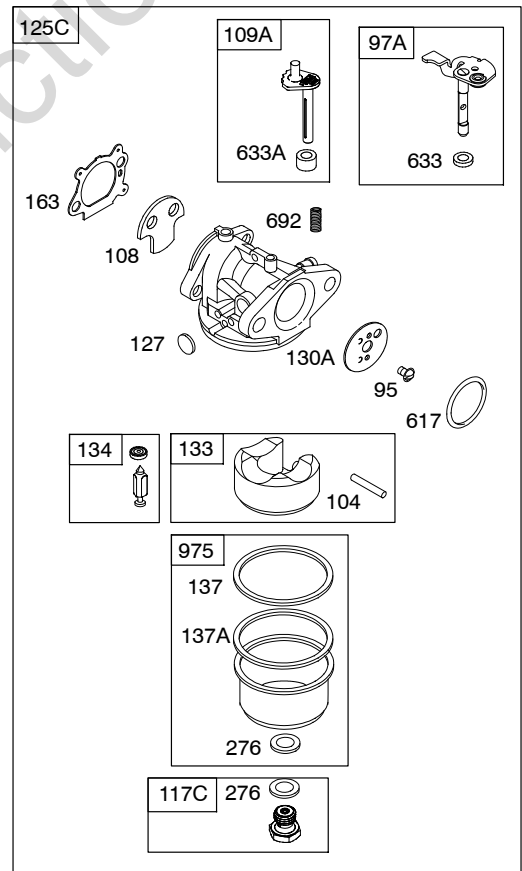
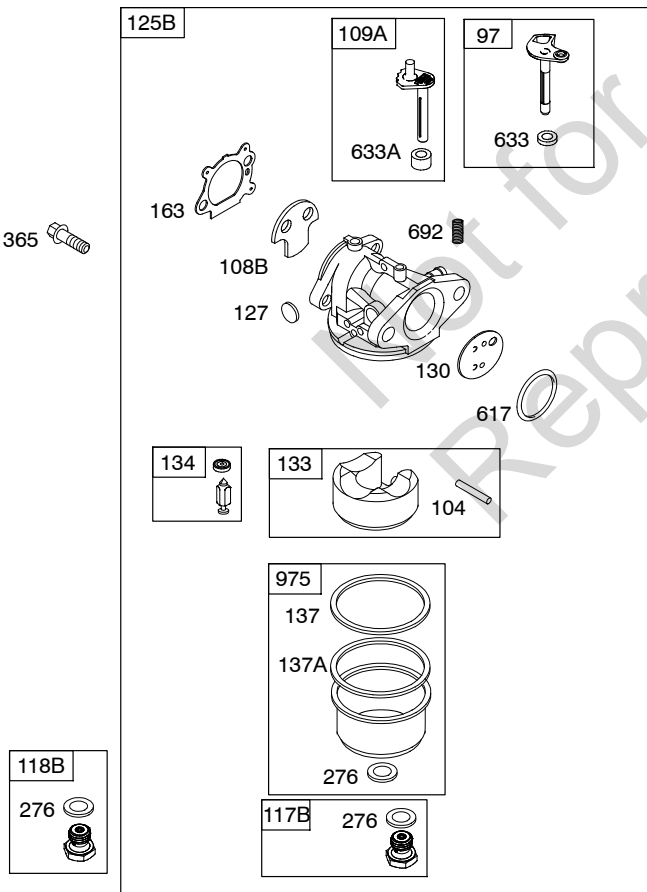
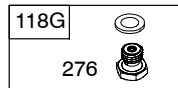
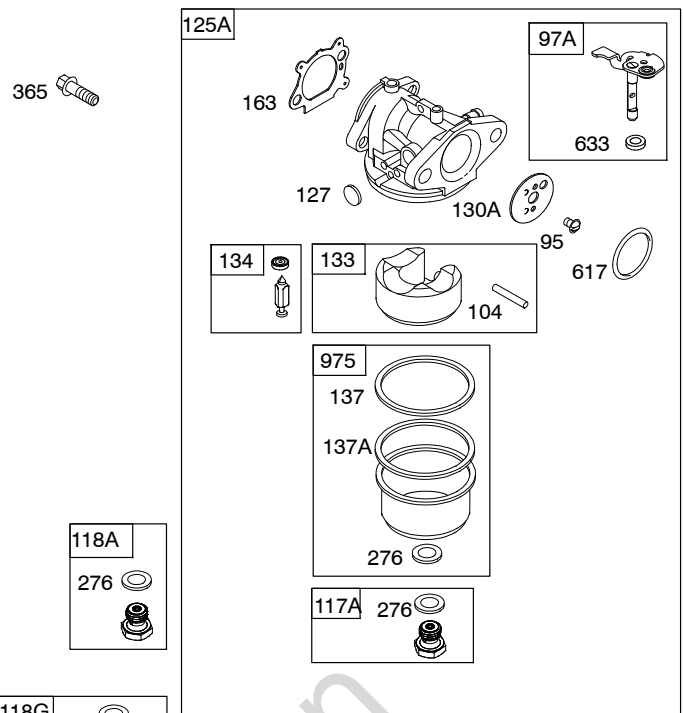
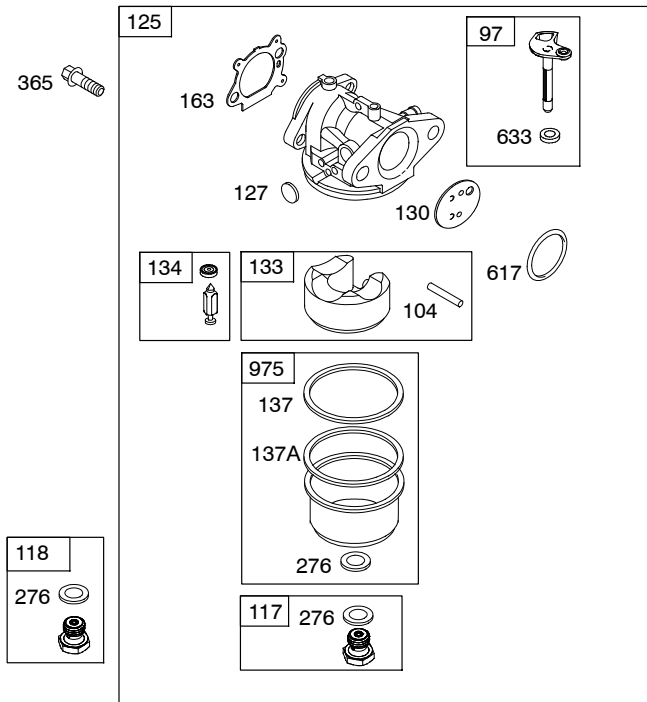
**REQUIRED** when replacing parts with warning labels affixed.

1058 OPERATOR'S MANUAL

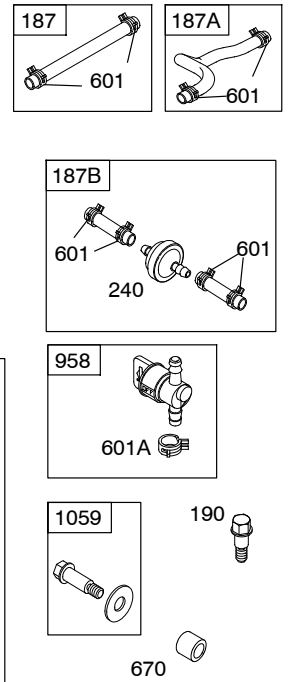
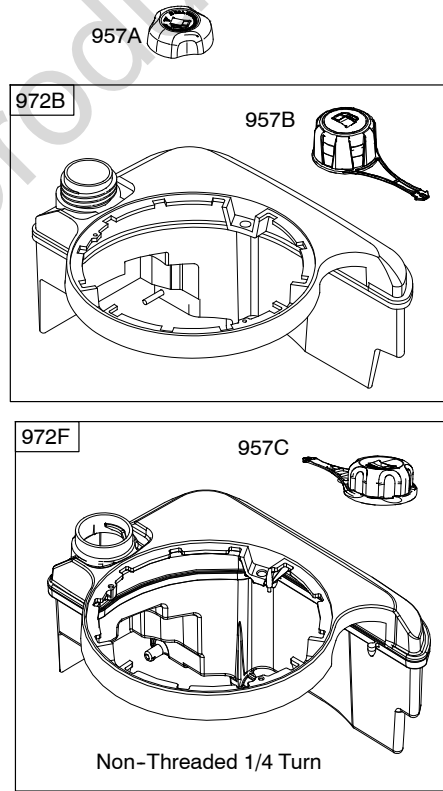
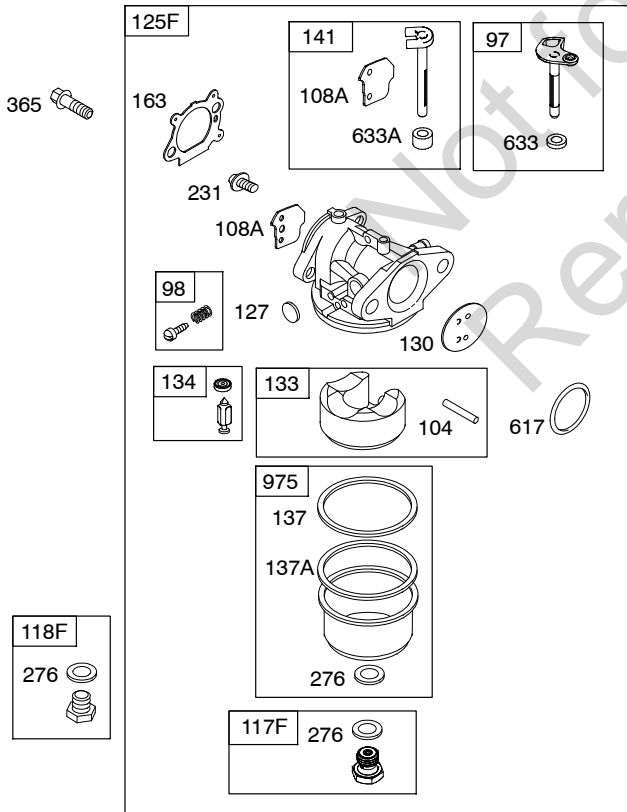
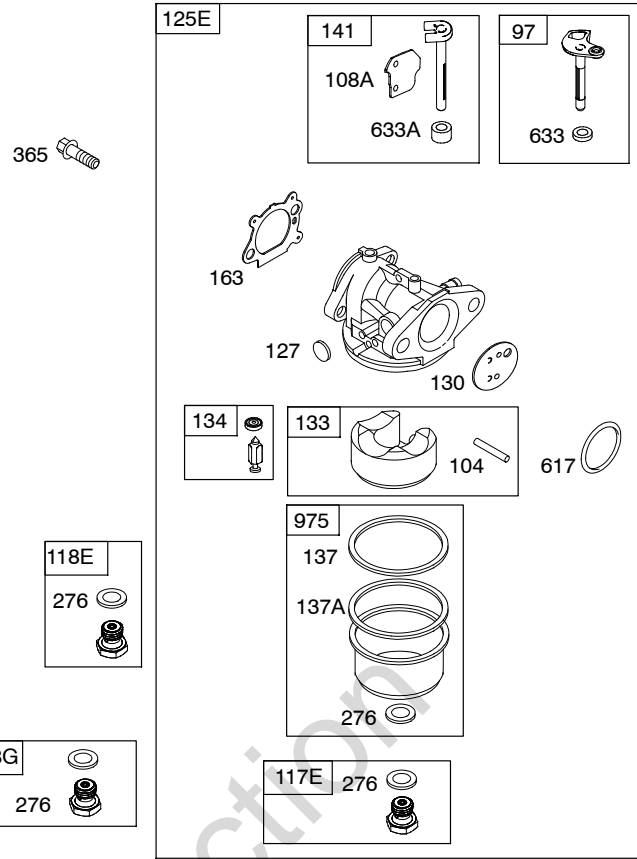
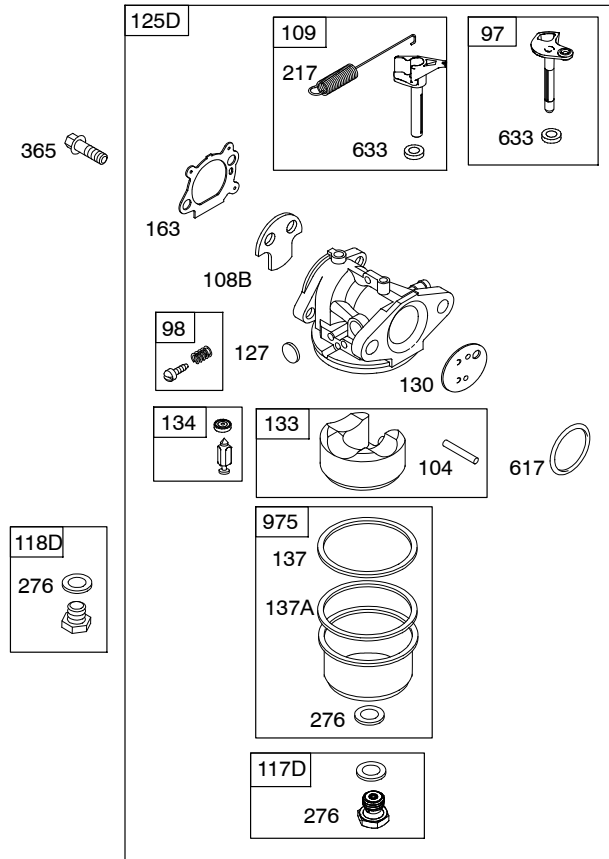


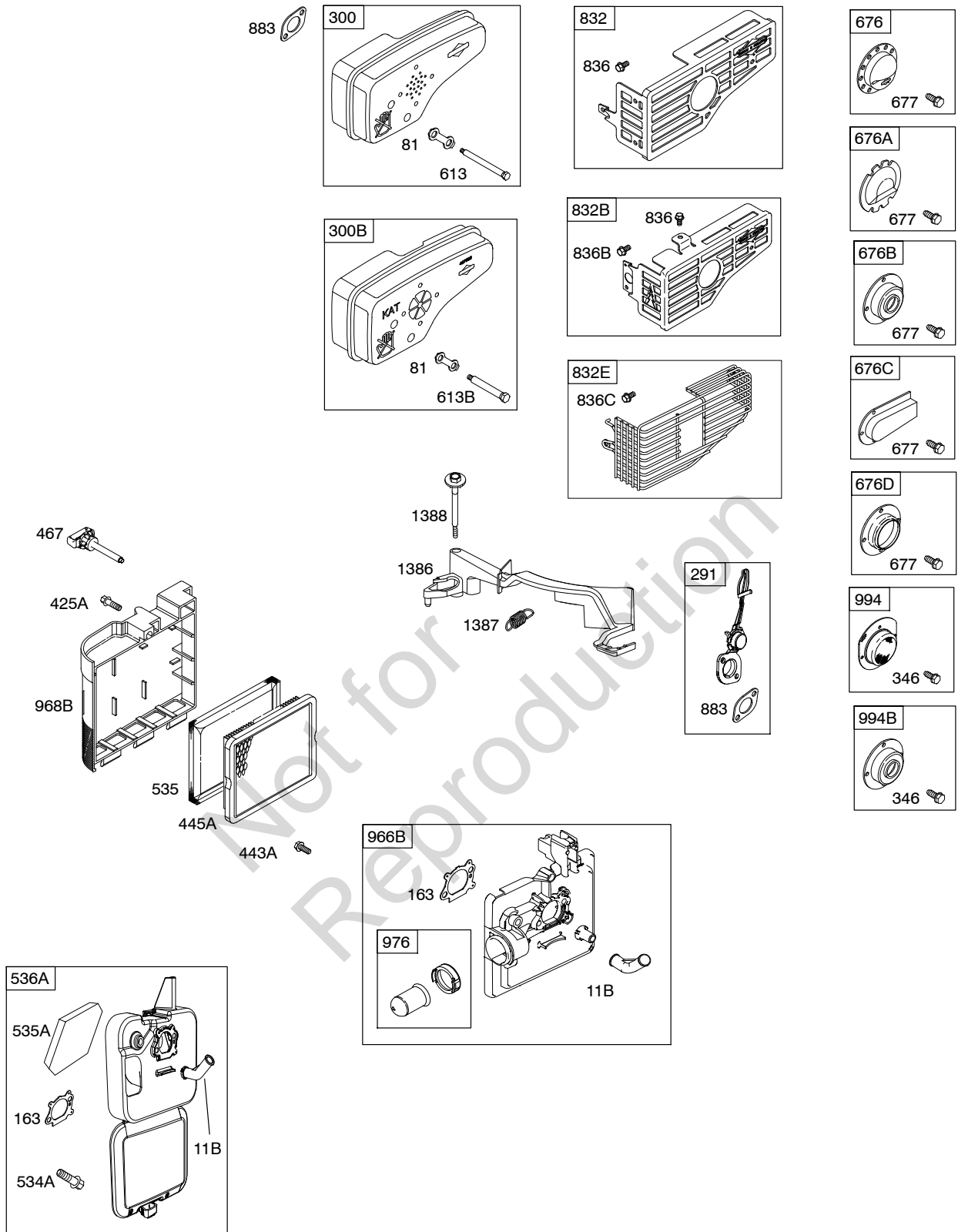
1330 REPAIR MANUAL



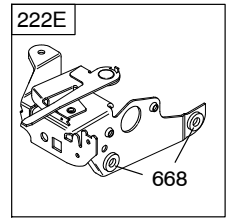
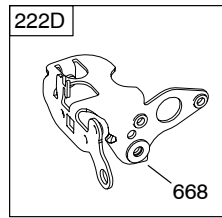
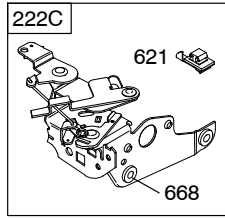
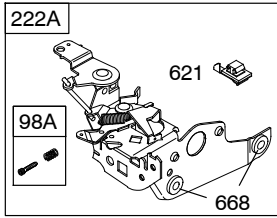
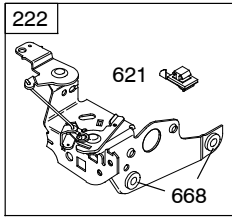


# 124T00

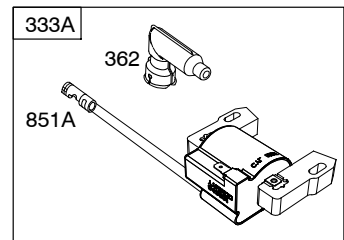
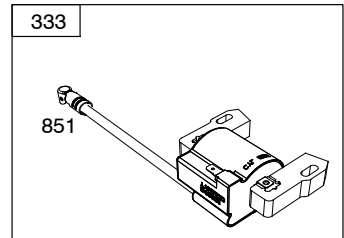
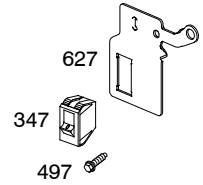
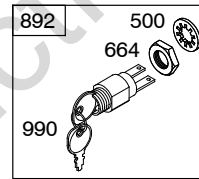
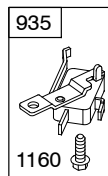
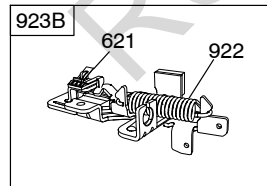
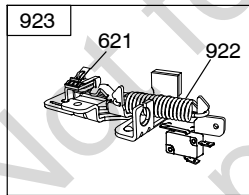
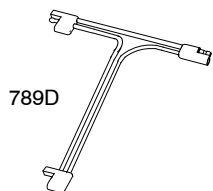
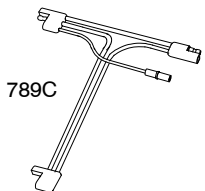
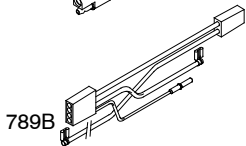
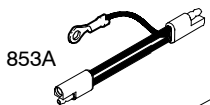
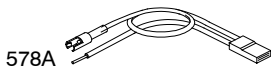
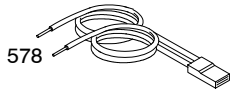
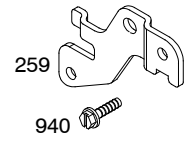
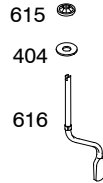
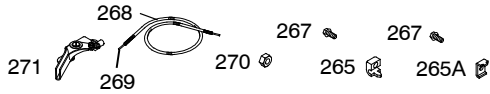
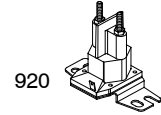
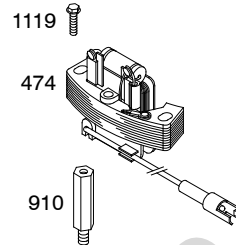
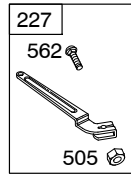
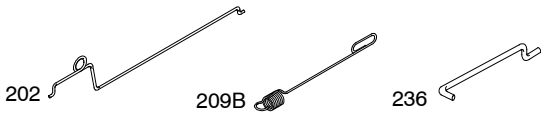


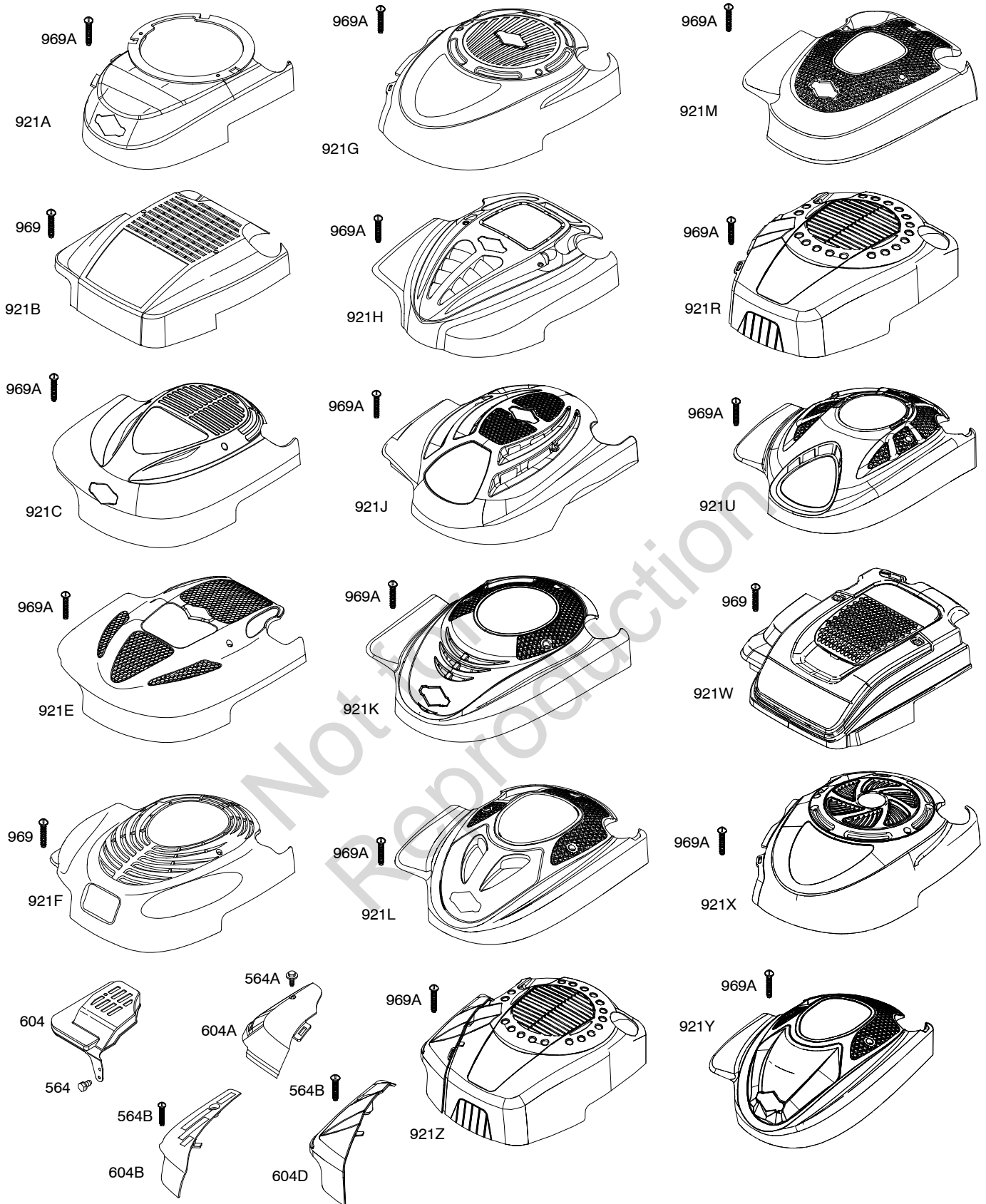


# 124T00

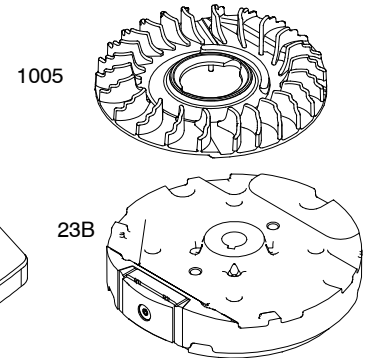
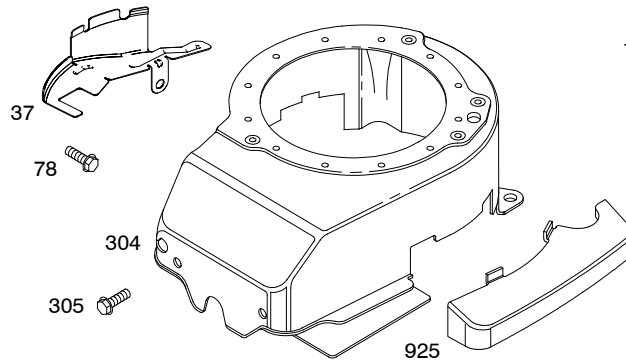
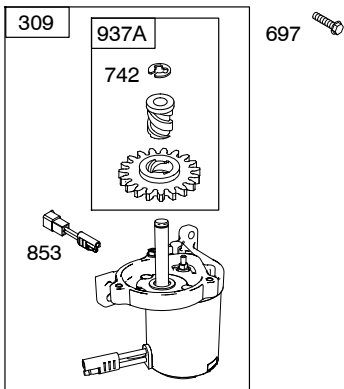
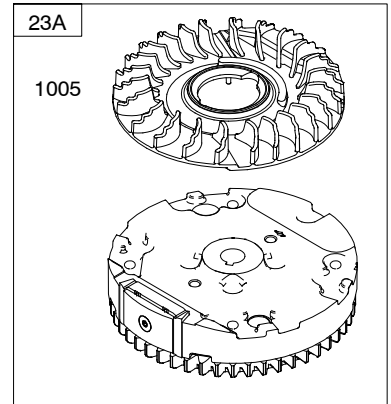
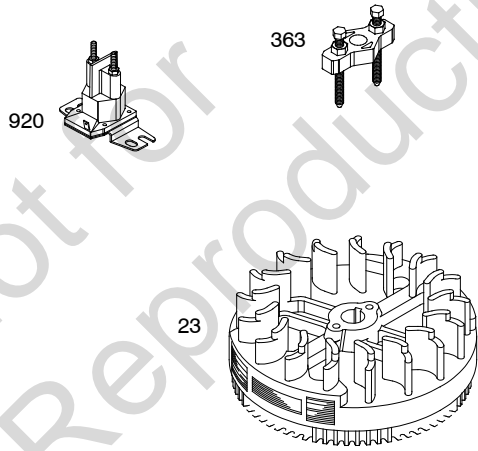
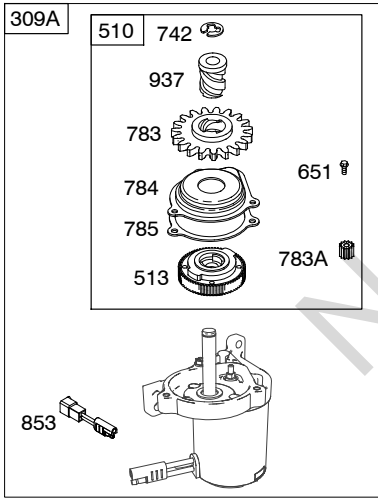
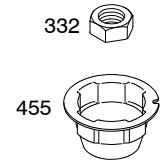
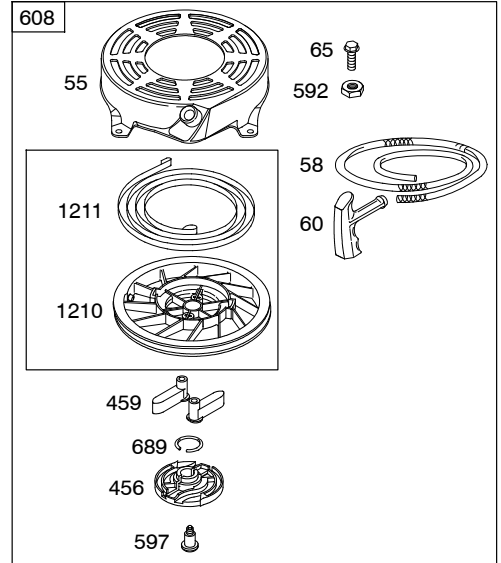
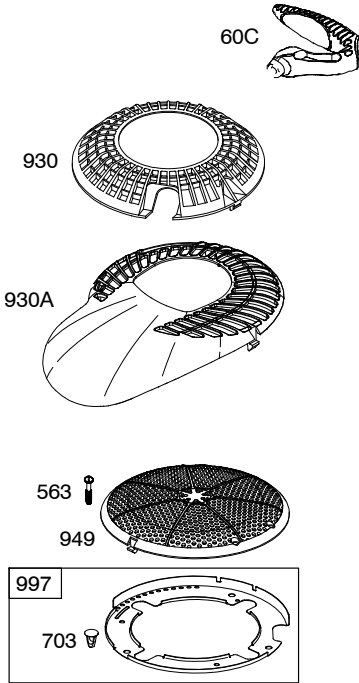
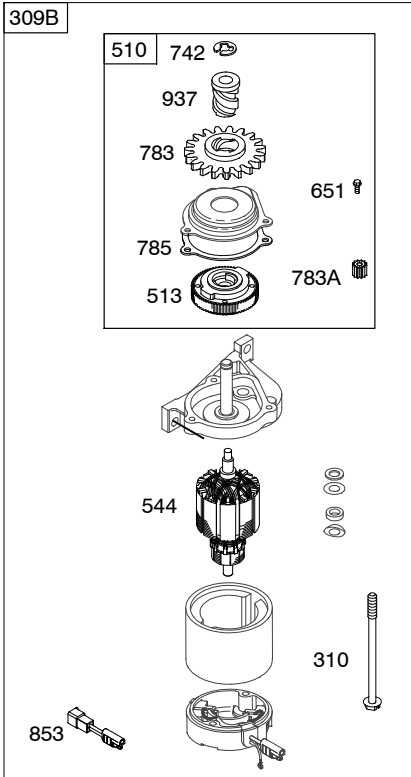


188 843 843A



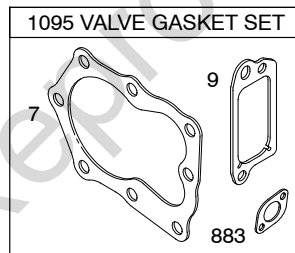
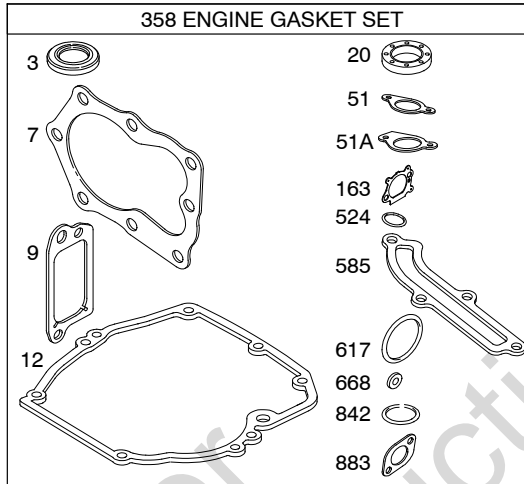
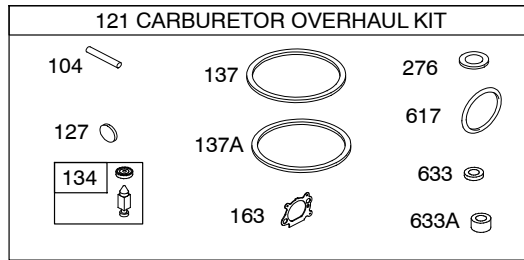


# 124T00



1036 EMISSIONS LABEL





# 124T00

REF. NO.	PART NO.	DESCRIPTION	REF. NO.	PART NO.	DESCRIPTION	REF. NO.	PART NO.	DESCRIPTION
1	590401	Cylinder Assembly		797018	Crankshaft		797019	Crankshaft
2	796961	Kit-Bushing/Seal (Magneto Side)			Used on Type No(s). 0001, 0002, 0003, 0007, 0105, 0128, 0133, 0134, 0135, 0136, 0137, 0138, 0140, 0142, 0143, 0147, 0148, 0159, 0162, 0163, 0171, 0172, 0174, 0175, 0177, 0178, 0179, 0186, 0187, 0192, 0200, 0201, 0207, 0220, 0221, 0226, 0229, 0236, 0238, 0241, 0244, 0246, 0252, 0253, 0302, 0307, 0455, 0464, 0486, 0567, 0611, 1728, 1729, 1772, 1773, 1778, 1779, 1780, 1782, 1905, 1923, 1946, 1950, 2042, 2048, 2049, 2050, 2109, 2110, 2112, 2113, 2115, 2635, 2636, 3174, 3302, 4048, 4049, 4159, 4162, 4163, 4164, 4172, 4174, 4178, 4259, 4567, 4611, 4635, 4778, 4923, 4950, 5133, 5147, 5178, 5187, 5207, 6115, 6162, 6163, 6164, 6172, 6174, 6220, 6226, 6236, 6241, 6246, 6259, 6302, 6567, 6602, 6607, 6635, 6644, 6650, 6659, 6675, 6778, 6782, 6923, 6950.			Used on Type No(s). 0129, 0149, 0204, 0210, 0227, 0243, 0245, 0247, 0304, 0306, 0308, 0489, 1709, 1720, 1722, 1724, 1771, 1776, 1777, 1924, 1933, 1936, 1952, 1966, 1971, 1972, 1983, 2114, 2309, 2346, 2367, 2643, 4114, 4198, 4724, 4777, 4933, 4952, 4966, 5245, 6114, 6243, 6245, 6247, 6304, 6306, 6308, 6345, 6489, 6724, 6777, 6952.
3	299819s	Seal-Oil (Magneto Side)						
4	493279	Sump-Engine ----- Note ----- 498983 Sump-Engine Used on Type No(s). 0119, 0297, 1120, 1907, 1977, 4305.						
5	590411	Head-Cylinder (Used After Code Date 11063000). ----- Note ----- 691160 Head-Cylinder (Used Before Code Date 11070100).						
7	799875	Gasket-Cylinder Head (Used After Code Date 11063000). ----- Note ----- 692249 Gasket- Cylinder Head (Used Before Code Date 11070100).						696290 Crankshaft Used on Type No(s). 0120, 0185. 694850 Crankshaft Used on Type No(s). 0121, 0139, 0141, 0183. 797681 Crankshaft Used on Type No(s). 0124, 0526, 0535, 1914, 4914, 6535. 691482 Crankshaft Used on Type No(s). 0119, 0144, 0297, 0300, 1907, 1977, 4305. 694478 Crankshaft Used on Type No(s). 0510, 0536, 6536. 797020 Crankshaft Used on Type No(s). 0005, 0228, 0317, 0401, 1000, 1926, 4926, 6228. 692980 Crankshaft Used on Type No(s). 1715.
8	590395	Breather Assembly						
9	699833	Gasket-Breather						
10	691125	Screw (Breather Assembly)						
11	691781	Tube-Breather						
11B	691923	Tube-Breather						
12	692232	Gasket-Crankcase						
13	590422	Screw (Cylinder Head) (Used After Code Date 11063000). ----- Note ----- 690912 Screw (Cylinder Head) (Used Before Code Date 11070100).						
15	691680	Plug-Oil Drain (Square Socket)						
16	797017	Crankshaft ----- Note -----						

REF. NO.	PART NO.	DESCRIPTION	REF. NO.	PART NO.	DESCRIPTION	REF. NO.	PART NO.	DESCRIPTION
		<b>696009</b> Crankshaft Used on Type No(s). 0161, 0203, 0205, 0206, 0212, 0215, 0216, 0217, 0222, 0224, 4161, 4215, 5216, 5217, 6622.	<b>25</b>	<b>590404</b>	Piston Assembly (Standard) (Used After Code Date 07090300). ----- <b>Note</b> ----- <b>795429</b> Piston Assembly (Standard) (Used Before Code Date 07090400). ----- <b>Note</b> ----- <b>590405</b> Piston Assembly (.020" Oversize) (Used After Code Date 11063000). <b>797303</b> Piston Assembly (.020" Oversize) (Used After Code Date 09041600 and Before Code Date 11070100). <b>799064</b> Piston Assembly (.020" Oversize) (Used After Code Date 07090300 and Before Code Date 09041700).	<b>26</b>	<b>590402</b>	Ring Set (Standard) (Used After Code Date 11063000). ----- <b>Note</b> ----- <b>797304</b> Ring Set (Standard) (Used After Code Date 09041600 and Before Code Date 11070100). <b>795431</b> Ring Set (Standard) (Used After Code Date 07090300 and Before Code Date 09041700). <b>791098</b> Ring Set (Standard) (Used Before Code Date 07090400). <b>590403</b> Ring Set (.020" Oversize) (Used After Code Date 11063000). <b>797305</b> Ring Set (.020" Oversize) (Used After Code Date 09041600 and Before Code Date 11070100). <b>795432</b> Ring Set (.020" Oversize) (Used After Code Date 07090300 and Before Code Date 09041700). <b>791324</b> Ring Set (.020" Oversize) (Used Before Code Date 07090400).
<b>20</b>	<b>399781s</b>	Seal-Oil (PTO Side)						
<b>22</b>	<b>691092</b>	Screw (Crankcase Cover/Sump)						
<b>23</b>	<b>691987</b>	Flywheel						
<b>23A</b>	<b>591282</b>	Flywheel Used on Type No(s). 0105, 0119, 0120, 0121, 0124, 0130, 0135, 0136, 0137, 0138, 0139, 0141, 0143, 0147, 0148, 0149, 0175, 0183, 0185, 0186, 0187, 0192, 0200, 0232, 0233, 0238, 0241, 0243, 0244, 0246, 0304, 0526, 0535, 1120, 1724, 1777, 1907, 1914, 1933, 2643, 4164, 4724, 4914, 4933, 5147, 5187, 6164, 6241, 6243, 6246, 6304, 6535, 6644, 6675, 6724.						
<b>23B</b>	<b>790536</b>	Flywheel Used on Type No(s). 0002, 0004, 0007, 0255, 4198, 4777, 6777.				<b>27</b>	<b>691588</b>	Lock-Piston Pin (Used After Code Date 09041600). ----- <b>Note</b> ----- <b>691866</b> Lock-Piston Pin (Used Before Code Date 09041700).
<b>24</b>	<b>222698</b>	Key-Flywheel				<b>28</b>	<b>298909</b>	Pin-Piston (Used After Code Date 09041600). ----- <b>Note</b> ----- <b>499423</b> Pin-Piston (Used Before Code Date 09041700).

# 124T00

REF. NO.	PART NO.	DESCRIPTION	REF. NO.	PART NO.	DESCRIPTION	REF. NO.	PART NO.	DESCRIPTION
29	797306	Rod-Connecting (Used After Code Date 09041600).	97	696565	Shaft-Throttle (Plastic)	117A	692677	Jet-Main
		----- Note -----	97A	493267	Shaft-Throttle	117B	797574	Jet-Main (Standard)
	499424	Rod-Connecting (Used Before Code Date 09041700).	98	398185	Kit-Idle Speed			Used on Type No(s). 0007, 0120, 0124, 0130, 0139, 0149, 0175, 0185, 0232, 0244, 0297, 0300, 0510, 0526, 0535, 0536, 2643, 6535, 6536, 6644, 6675
32	691664	Screw (Connecting Rod)	104	797622	Pin-Float Hinge			
32A	695759	Screw (Connecting Rod)	108	691182	Valve-Choke			
33	590394	Valve-Exhaust	108A	795935	Valve-Choke (Used After Code Date 08031200).			
34	590393	Valve-Intake			----- Note -----	117C	498978	Jet-Main (Standard)
35	691270	Spring-Valve (Intake)			790844 Valve-Choke (Used Before Code Date 08031300).			Used on Type No(s). 0144, 0119, 0120, 0121, 1120, 1907, 1977, 4305.
36	691270	Spring-Valve (Exhaust)			799465 Valve-Choke Used on Type No(s). 0001, 0002, 0003, 0316, 3174, 3302, 4257, 4258, 4259, 6162, 6163, 6164, 6174, 6228, 6257, 6258, 6259, 6302.	117D	697355	Jet-Main (Standard) (Used After Code Date 04101700).
37	793756	Guard-Flywheel						498981 Jet-Main (Standard) (Used Before Code Date 04101800).
40	692194	Retainer-Valve	108B	796993	Valve-Choke	117E	798660	Jet-Main (Standard)
43	691997	Slinger-Governor/Oil ----- Note -----	109	494218	Shaft-Choke			----- Note -----
	691486	Slinger-Governor/Oil Used on Type No(s). 0119, 1120, 1907, 1977, 4305.	109A	498593	Shaft-Choke			695042 Jet-Main (Standard) (Used Before Code Date 09092900).
45	690548	Tappet-Valve	117	799604	Jet-Main (Standard)			590440 Jet-Main (Standard)
46	691449	Camshaft			----- Note -----			Used on Type No(s). 0004, 0005, 0006, 0251, 0252, 0255, 0256, 0257, 0258, 0309, 0310, 0311, 0312, 0314, 0317, 0401, 1000, 6172, 6205, 6220, 6236, 6241, 6243, 6245, 6246, 6247, 6248, 6254, 6303, 6304, 6308, 6345, 6408, 6489, 6492, 6567, 6602, 6605, 6606, 6607, 6632, 6635, 6639, 6653, 6656, 6657, 6658, 6659, 6688, 6724, 6777, 6778, 6782, 6923, 6950, 6952.
50A	794305	Manifold-Intake			798661 Jet-Main (Standard)			
51	272199s	Gasket-Intake			Used on Type No(s). 1115, 2177, 6114, 6115, 6226, 6229, 6306, 6335, 6614, 6622, 6649, 6650.			
51A	794306	Gasket-Intake			494870 Jet-Main (Standard) (Used After Code Date 07020500).			
54	691650	Screw (Intake Manifold)			Used on Type No(s). 0210, 0464, 0736, 0854, 0886, 0896, 1072, 3736, 3854.			
55	691421	Housing-Rewind Starter			494870 Jet-Main (Standard) (Used After Code Date 08022600).			
58	697316	Rope-Starter (Cut To Required Length) ----- Note -----			Used on Type No(s). 0926, 1771, 1781, 1946, 2042, 3736, 3854, 6626			
	791362	Rope-Starter Used on Type No(s). 0312, 0987, 1232, 6632.						
60	281434s	Grip-Starter Rope						
60C	799716	Grip-Starter Rope						
65	690837	Screw (Rewind Starter)						
78	691108	Screw (Flywheel Guard)						
81	691740	Lock-Muffler Screw						
95	691636	Screw (Throttle Valve) (Metal)						

REF. NO.	PART NO.	DESCRIPTION	REF. NO.	PART NO.	DESCRIPTION	REF. NO.	PART NO.	DESCRIPTION		
117F	797574	Jet-Main (Standard) (Used After Code Date 10111100). Used on Type No(s). 0001, 0002, 0003, 0316, 3174, 3302, 4257, 4258, 4259, 6162, 6163, 6164, 6174, 6228, 6257, 6258, 6259, 6302, 6535, 6536, 6644, 6675.	118F	797575	Jet-Main (High Altitude) Used on Type No(s). 0001, 0002, 0003, 0316, 3174, 3302, 4257, 4258, 4259, 6162, 6163, 6164, 6174, 6228, 6257, 6258, 6259, 6302.			(Used Before Code Date 08022700). Used on Type No(s). 0926, 1771, 1781, 1946, 2024, 3736, 3854.		
		590441 Jet-Main (Standard) (Used Before Code Date 10111100).	118G	694250	Jet-Main (High Altitude) (Used After Code Date 08061900). ----- Note ----- 695042 Jet-Main (High Altitude) (Used After Code Date 07020600 and Before Code Date 08062000). 692677 Jet-Main (High Altitude) (Used Before Code Date 07020700). 798661 Jet-Main (High Altitude) (Used After Code Date 11063000). Used on Type No(s). 0252.	125A	694882	Carburetor (Primer System) (Used After Code Date 07020600). Used on Type No(s). 0210, 0464, 0736, 0854, 0886, 0896, 1072. ----- Note ----- 694882 Carburetor (Primer System) (Used After Code Date 08022600). Used on Type No(s). 0926, 1771, 1781, 1946, 2042, 3736, 3854, 6626		
118	799227	Jet-Main (High Altitude) ----- Note ----- 798660 Jet-Main (High Altitude) Used on Type No(s). 6114, 6115, 6226, 6229, 6306, 6335, 6614, 6622, 6649, 6650.			798661 Jet-Main (High Altitude) (Used After Code Date 11063000). Used on Type No(s). 0252.	125B	799869	Carburetor (Choke System) Used on Type No(s). 0007, 0120, 0124, 0130, 0139, 0149, 0175, 0185, 0232, 0244, 0297, 0300, 0510, 0526, 0535, 0536, 2643, 6535, 6536, 6644, 6675		
118A	497315	Jet-Main (High Altitude)			121	498260				
118B	797575	Jet-Main (High Altitude)			125	799868				
118C	497466	Jet-Main (High Altitude) Used on Type No(s). 0119, 0144, 1120, 1907, 1977, 4305.								
118D	692677	Jet-Main (High Altitude) (Used After Code Date 04101700). ----- Note ----- 497466 Jet-Main (High Altitude) (Used Before Code Date 04101800).								
118E	798661	Jet-Main (High Altitude) ----- Note ----- 799606 Jet-Main (High Altitude)								
								125C	499059	Carburetor (Choke System) Used on Type No(s). 0119, 0120, 0121, 0144, 1120, 1907, 1977, 4305.

# 124T00

REF. NO.	PART NO.	DESCRIPTION	REF. NO.	PART NO.	DESCRIPTION	REF. NO.	PART NO.	DESCRIPTION
<b>125D</b>	<b>790978</b>	Carburetor (Choke System) Used on Type No(s). 0147, 0148, 0155, 0163, 0178, 0202, 0238, 1724, 1728, 1729, 1772, 1773, 5147. <b>796579</b> Carburetor (Choke System) Used on Type No(s). 0162, 0207, 5207.	<b>125F</b>	<b>799464</b>	Carburetor (Autochoke System) Used on Type No(s). 0001, 0002, 0003, 0316, 3174, 3302, 4257, 4258, 4259, 6162, 6163, 6164, 6174, 6228, 6257, 6258, 6259, 6302. ----- <b>Note</b> ----- <b>799464</b> Carburetor (Autochoke System) (Used After Code Date 11080200). Used on Type No(s). 6656.	<b>209B</b>	<b>699056</b>	Spring-Governor ----- <b>Note</b> ----- <b>691851</b> Spring-Governor Used on Type No(s). 0007, 0111, 0112, 0114, 0133, 0134, 0175, 0241, 0244, 0248, 2115, 2311, 2643, 5133, 6115, 6241, 6248, 6644, 6675. <b>691290</b> Spring-Governor Used on Type No(s). 0130, 0171. <b>691291</b> Spring-Governor Used on Type No(s). 0007, 0115, 0120, 0121, 0128, 0135, 0136, 0137, 0141, 0142, 0143, 0149, 0183, 0185, 0186, 0187, 0304, 0510, 0536, 1914, 4914, 5187, 6304, 6536. <b>691864</b> Spring-Governor Used on Type No(s). 0124, 0144, 4305. <b>793007</b> Spring-Governor Used on Type No(s). 0147, 0148, 0238, 5147. <b>690241</b> Spring-Governor Used on Type No(s). 0119, 1120, 1907, 1977. <b>790944</b> Spring-Governor Used on Type No(s). 0526, 0535, 6535.
<b>125E</b>	<b>799866</b>	Carburetor (Autochoke System) (Used After Code Date 07020600). ----- <b>Note</b> ----- <b>799871</b> Carburetor (Autochoke System) (Used Before Code Date 07020700). <b>799866</b> Carburetor (Autochoke System) Used on Type No(s). 0004, 0006, 0251, 0255, 0252, 0256, 0257, 0258, 0309, 0310, 0312, 0314, 0317, 0401, 1000, 6172, 6205, 6220, 6236, 6241, 6243, 6245, 6246, 6247, 6248, 6254, 6303, 6304, 6308, 6345, 6408, 6489, 6492, 6567, 6602, 6605, 6606, 6607, 6632, 6635, 6639, 6653, 6656, 6657, 6658, 6659, 6688, 6724, 6777, 6778, 6782, 6923, 6950, 6952.	<b>127</b>	<b>694468</b>	Plug-Welch			
			<b>130</b>	<b>696564</b>	Valve-Throttle ----- <b>Note</b> ----- <b>799466</b> Valve-Throttle Used on Type No(s). 0001, 0002, 0003, 0316, 3174, 3302, 4257, 4258, 4259, 6162, 6163, 6164, 6174, 6228, 6257, 6258, 6259, 6302.			
			<b>130A</b>	<b>691203</b>	Valve-Throttle			
			<b>133</b>	<b>398187</b>	Float-Carburetor			
			<b>134</b>	<b>398188</b>	Kit-Needle/Seat			
			<b>137</b>	<b>796610</b>	Gasket-Float Bowl (1/8" Thick)			
			<b>137A</b>	<b>693981</b>	Gasket-Float Bowl (1/16" Thick)			
			<b>141</b>	<b>796193</b>	Shaft-Choke			
			<b>163</b>	<b>795629</b>	Gasket-Air Cleaner			
			<b>187</b>	<b>791766</b>	Line-Fuel (Cut to Required Length)			
			<b>187A</b>	<b>791873</b>	Line-Fuel (Molded)			
			<b>187B</b>	<b>791891</b>	Line-Fuel (Includes Filter)			
			<b>188</b>	<b>693399</b>	Screw (Control Bracket)			
			<b>190</b>	<b>690940</b>	Screw (Fuel Tank)			
			<b>202</b>	<b>691829</b>	Link-Mechanical Governor			



# 124T00

REF. NO.	PART NO.	DESCRIPTION	REF. NO.	PART NO.	DESCRIPTION	REF. NO.	PART NO.	DESCRIPTION
	<b>790828</b>	Muffler Used on Type No(s). 0003, 0005, 0128, 0157, 0158, 0159, 0160, 0174, 0176, 0188, 0203, 0204, 0205, 0206, 0208, 0212, 0216, 0217, 0220, 0221, 0224, 0227, 0228, 0229, 0236, 0239, 0241, 0243, 0245, 0246, 0247, 0248, 0252, 0301, 0302, 0303, 0304, 0305, 0307, 0308, 0311, 0317, 0356, 0489, 0567, 0650, 0847, 0885, 0987, 1205, 1206, 1232, 1246, 1247, 1254, 1353, 1408, 1488, 1489, 1492, 1777, 1778, 1779, 1782, 2048, 2049, 3174, 3302, 3847, 4048, 4049, 4114, 4156, 4157, 4158, 4159, 4160, 4162, 4163, 4164, 4172, 4174, 4178, 4198, 4257, 4258, 4259, 4567, 4611, 4635, 4724, 4777, 4778, 4914, 4923, 4926, 4933, 4950, 4951, 4952, 4966, 5160, 5178, 5216, 5217, 5245, 5492, 6162, 6163, 6164, 6172, 6174, 6205, 6220, 6228, 6229, 6236, 6241, 6243, 6245, 6246, 6247, 6248, 6254, 6257, 6258, 6259, 6302, 6303, 6304, 6308, 6345, 6408, 6489, 6492, 6567, 6602, 6605, 6606, 6607, 6632, 6635, 6639, 6653, 6656, 6657, 6658, 6659, 6688, 6724, 6777, 6778, 6782, 6923, 6950, 6952.			<b>792677</b> Muffler Used on Type No(s). 1052. <b>300B 694048</b> Muffler <b>304 695892</b> Housing-Blower ----- <b>Note</b> ----- <b>790826</b> Housing-Blower Used on Type No(s). 0003, 0005, 0128, 0157, 0158, 0159, 0174, 0176, 0188, 0203, 0204, 0205, 0206, 0208, 0212, 0216, 0217, 0220, 0221, 0224, 0227, 0228, 0229, 0236, 0239, 0243, 0246, 0247, 0252, 0257, 0258, 0301, 0302, 0303, 0305, 0307, 0308, 0310, 0311, 0317, 0356, 0489, 0567, 0650, 0847, 0885, 0987, 1052, 1205, 1206, 1232, 1246, 1247, 1254, 1353, 1408, 1488, 1489, 1492, 1779, 1782, 2048, 3174, 3302, 3847, 4048, 4049, 4157, 4158, 4159, 4160, 4162, 4163, 4172, 4174, 4178, 4257, 4258, 4259, 4567, 4611, 4635, 4778, 4923, 4926, 4950, 4951, 4952, 4966, 5160, 5178, 5216, 5217, 5492, 6162, 6163, 6172, 6174, 6205, 6220, 6228, 6229, 6236, 6243, 6246, 6247, 6254, 6257, 6258, 6259, 6302, 6303, 6308, 6408, 6489, 6492, 6567, 6602, 6605, 6606, 6607, 6632, 6635, 6639, 6653, 6657, 6658, 6659, 6688, 6778, 6782, 6923, 6950, 6952.			<b>493294</b> Housing-Blower Used on Type No(s). 0105, 0115, 0120, 0121, 0124, 0130, 0133, 0134, 0135, 0136, 0137, 0138, 0139, 0141, 0143, 0144, 0147, 0148, 0149, 0171, 0175, 0177, 0183, 0185, 0186, 0187, 0192, 0200, 0232, 0233, 0238, 0244, 0306, 0510, 0526, 0535, 0536, 1724, 1907, 1914, 1933, 1977, 2114, 2643, 4305, 5133, 5147, 5187, 6114, 6306, 6535, 6536, 6644, 6675. <b>795071</b> Housing-Blower Used on Type No(s). 0114, 0140, 0161, 0163, 0178, 0215, 0486, 0611, 0774, 0848, 0904, 0906, 0947, 1026, 1060, 1709, 1715, 1720, 1722, 1728, 1729, 1772, 1776, 1780, 1923, 1924, 1966, 1972, 1983, 2110, 2113, 2309, 2311, 2346, 2367, 2636, 3774, 3848. <b>694879</b> Housing-Blower Used on Type No(s). 0119, 1120.



REF. NO.	PART NO.	DESCRIPTION	REF. NO.	PART NO.	DESCRIPTION	REF. NO.	PART NO.	DESCRIPTION
		<b>791291</b> Housing-Blower Used on Type No(s). 0002, 0004, 0007, 0241, 0245, 0248, 0255, 0304, 1777, 4114, 4156, 4164, 4198, 4724, 4777, 4914, 4933, 5245, 6164, 6241, 6245, 6248, 6304, 6345, 6656, 6724, 6777.			0305, 0307, 0308, 0309, 0310, 0311, 0314, 0316, 0317, 0399, 0401, 0489, 0885, 1000, 1115, 1206, 1232, 1353, 1724, 1782, 1950, 1951, 1952, 2177, 3174, 3302, 4156, 4157, 4158, 4159, 4162, 4163, 4172, 4174, 4198, 4257, 4258, 4259, 4567, 4635, 4724, 4777, 4923, 4950, 4952, 5160, 5178, 5187, 5207, 5217, 6114, 6115, 6162, 6163, 6164, 6172, 6174, 6205, 6220, 6221, 6226, 6228, 6229, 6236, 6241, 6243, 6245, 6246, 6247, 6248, 6254, 6257, 6258, 6259, 6302, 6303, 6304, 6306, 6308, 6335, 6345, 6408, 6489, 6492, 6535, 6536, 6567, 6602, 6605, 6606, 6607, 6614, 6622, 6626, 6632, 6635, 6639, 6644, 6649, 6650, 6653, 6656, 6657, 6658, 6659, 6675, 6688, 6724, 6777, 6778, 6782, 6923, 6950, 6952.			<b>347</b> <b>691396</b> Switch-Rocker <b>356</b> <b>692390</b> Wire-Stop <b>356B</b> <b>693010</b> Wire-Stop <b>356D</b> <b>496381</b> Wire-Stop <b>357A</b> <b>691483</b> Key-Drive Pulley <b>358</b> <b>590508</b> Gasket Set-Engine <b>362</b> <b>793351</b> Shield-Spark Plug <b>363</b> <b>19069</b> Flywheel Puller <b>365</b> <b>691688</b> Screw (Carburetor) <b>377</b> <b>690979</b> Key-Woodruff <b>383</b> <b>89838s</b> Wrench-Spark Plug <b>404</b> <b>690272</b> Washer (Governor Crank) <b>425A</b> <b>690670</b> Screw (Air Cleaner Cover) <b>443A</b> <b>692523</b> Screw (Air Cleaner Primer Base) <b>445A</b> <b>491588s</b> Filter-Air Cleaner Cartridge <b>455</b> <b>791960</b> Cup-Flywheel <b>456</b> <b>692299</b> Plate-Pawl Friction <b>459</b> <b>281505s</b> Plate-Ratchet <b>467</b> <b>790842</b> Knob-Air Cleaner <b>474</b> <b>691991</b> Alternator <b>497</b> <b>690664</b> Screw (Stop-switch Bracket) <b>500</b> <b>691086</b> Washer (Key Switch) <b>505</b> <b>691251</b> Nut (Governor Control Lever) <b>510</b> <b>795093</b> Drive-Starter <b>513</b> <b>795100</b> Clutch-Drive <b>523</b> <b>499621</b> Dipstick <b>524</b> <b>692296</b> Seal-Dipstick Tube <b>525</b> <b>495265</b> Tube-Dipstick <b>534A</b> <b>798294</b> Screw (Air Cleaner) <b>535</b> <b>493537s</b> Filter-Pre Cleaner <b>535A</b> <b>797301</b> Filter-Air Cleaner Foam <b>536A</b> <b>798293</b> Cleaner-Air <b>544</b> <b>690786</b> Armature-Starter <b>562</b> <b>691119</b> Bolt (Governor Control Lever) <b>563</b> <b>691138</b> Screw (Debris Guard Screen) <b>564</b> <b>690664</b> Screw (Control Cover) <b>564A</b> <b>691142</b> Screw (Control Cover)
		<b>790983</b> Housing-Blower Used on Type No(s). 0160, 2049.						
<b>305</b>	<b>691108</b>	Screw (Blower Housing)						
<b>306</b>	<b>690450</b>	Shield-Cylinder						
<b>306A</b>	<b>790836</b>	Shield-Cylinder						
<b>307</b>	<b>690345</b>	Screw (Cylinder Shield)						
<b>309</b>	<b>799045</b>	Motor-Starter						
<b>309A</b>		Motor-Starter (For Replacement Starter Motor, Order Reference 309)						
<b>309B</b>		Motor-Starter (For Replacement Starter Motor, Order Reference 309)						
<b>310</b>	<b>692327</b>	Bolt (Starter Motor)						
<b>332</b>	<b>690662</b>	Nut (Flywheel)						
<b>333</b>	<b>590454</b>	Armature-Magneto						
		----- <b>Note</b> -----						
<b>333A</b>	<b>590455</b>	Armature-Magneto Used on Type No(s). 0001, 0002, 0003, 0004, 0005, 0006, 0007, 0120, 0162, 0175, 0185, 0186, 0187, 0188, 0192, 0200, 0201, 0202, 0207, 0212, 0217, 0220, 0221, 0222, 0226, 0228, 0229, 0236, 0238, 0239, 0243, 0244, 0246, 0247, 0249, 0251, 0252, 0253, 0256, 0257, 0258, 0297, 0300, 0302, 0304,	<b>334</b> <b>691061</b> Screw (Magneto Armature) <b>337</b> <b>591868</b> Plug-Spark (Used After Code Date 11063000). ----- <b>Note</b> ----- <b>796112s</b> Plug-Spark (Resistor) (Used Before Code Date 11070100). <b>697451</b> Plug-Spark (EMS) (Used Before Code Date 11070100).					
			<b>346</b> <b>690661</b> Screw (Spark Arrestor)					

# 124T00

REF. NO.	PART NO.	DESCRIPTION	REF. NO.	PART NO.	DESCRIPTION	REF. NO.	PART NO.	DESCRIPTION				
564B	698589	Screw (Control Cover)		790833	Screw (Muffler)			6777, 6778, 6782, 6923, 6950, 6952.				
578	398153	Wire Assembly			Used on Type No(s).			792678 Screw (Muffler)				
578A	695283	Wire-Assembly 584 697734			0003, 0005, 0128, 0157, 0158, 0159, 0160, 0174, 0176, 0188, 0203, 0204, 0205, 0206, 0208, 0212, 0216, 0217, 0220, 0221, 0224, 0227, 0228, 0229, 0236, 0239, 0241, 0243, 0245, 0246, 0247, 0248, 0252, 0301, 0302, 0303, 0304, 0305, 0307, 0308, 0311, 0317, 0356, 0489, 0567, 0650, 0847, 0885, 0987, 1205, 1206, 1232, 1246, 1247, 1254, 1353, 1408, 1488, 1489, 1492, 1777, 1778, 1779, 1782, 2048, 2049, 3174, 3302, 3847, 4048, 4049, 4114, 4156, 4157, 4158, 4159, 4160, 4162, 4163, 4164, 4172, 4174, 4178, 4198, 4257, 4258, 4259, 4567, 4611, 4635, 4724, 4777, 4778, 4914, 4923, 4926, 4933, 4950, 4951, 4952, 4966, 5160, 5178, 5216, 5217, 5245, 5492, 6162, 6163, 6164, 6172, 6174, 6205, 6220, 6228, 6229, 6236, 6241, 6243, 6245, 6246, 6247, 6248, 6254, 6257, 6258, 6259, 6302, 6303, 6304, 6308, 6345, 6408, 6489, 6492, 6567, 6602, 6605, 6606, 6607, 6632, 6635, 6639, 6653, 6656, 6657, 6658, 6659, 6688, 6724,							Used on Type No(s). 1052.
585	691879	Gasket-Breather Passage				613B	691114	Screw (Muffler)				
592	690800	Nut (Rewind Starter)				615	690340	Retainer-Governor Shaft				
597	691696	Screw (Pawl Friction Plate)				616	698801	Crank-Governor				
601	791850	Clamp-Hose				617	270344s	Seal-O Ring (Intake Manifold)				
601A	691038	Clamp-Hose				621	692310	Switch-Stop				
604	691757	Cover-Control				627	792565	Bracket-Stop Switch				
604A	691344	Cover-Control				633	691321	Seal-Choke/Throttle Shaft				
604B	790703	Cover-Control				633A	693867	Seal-Choke/Throttle Shaft				
604D	793770	Cover-Control				635	66538s	Boot-Spark Plug				
608	497680	Starter-Rewind ----- Note ----- 791363 Starter- Rewind Used on Type No(s). 0987, 1232, 6632.				651	691660	Screw (Starter Gear Cover)				
613	691340	Screw (Muffler) ----- Note -----				664	691087	Nut (Key Switch)				
						668	493823	Spacer				
						670	692294	Spacer-Fuel Tank				
						676	396548	Deflector-Muffler				
						676A	393756	Deflector-Muffler				
						676B	397931	Deflector-Muffler				
						676C	493871	Deflector-Muffler				
						676D	497682	Deflector-Muffler				
						677	690661	Screw (Muffler Deflector)				
						684	690345	Screw (Breather Passage Cover)				
						689	691855	Spring-Friction				
						692	690572	Spring-Detent				
						697	691127	Screw (Drive Cap)				
						703	696309	Clip				
						718	690959	Pin-Locating				
						741	797521	Gear-Timing (Metal) (Used After Code Date 08021700). ----- Note ----- 794388 Gear-Timing (Use Without Woodruff Key)				

REF. NO.	PART NO.	DESCRIPTION	REF. NO.	PART NO.	DESCRIPTION	REF. NO.	PART NO.	DESCRIPTION
		(Used After Code Date 07093000 and Before Code Date 08021800).	<b>868</b>	<b>590410</b>	Seal-Valve (Used After Code Date 11063000).	<b>923</b>	<b>796387</b>	Brake
		<b>790345</b> Gear-Timing (Use Without Woodruff Key)			----- <b>Note</b> -----	<b>923B</b>	<b>796136</b>	Brake
		(Used Before Code Date 07100100).			<b>697338</b> Seal-Valve (Used Before Code Date 11070100).			Used on Type No(s). 0004, 0006, 0101, 0111, 0112, 0116, 0128, 0129, 0142, 0199, 0204, 0210, 0220, 0236, 0243, 0245, 0246, 0249, 0251, 0252, 0455, 0258, 0310, 0312, 0314, 0316, 0401, 0464, 0489, 0645, 0704, 0736, 0773, 0847, 0853, 0854, 0876, 0885, 0886, 0887, 0896, 1000, 1227, 1335, 1348, 1489, 1514, 1771, 1773, 1779, 1781, 1782, 1905, 1926, 1946, 1950, 1951, 1952, 1971, 2042, 2048, 2109, 2112, 2635, 3704, 3736, 3773, 3847, 3853, 3854, 4048, 4635, 4778, 4926, 4947, 4950, 4951, 4952, 4966, 5216, 5245, 6220, 6236, 6243, 6245, 6246, 6335, 6345, 6489, 6614, 6635, 6649, 6650, 6778, 6782, 6950, 6952.
		<b>691830</b> Gear-Timing (Uses Woodruff Key)	<b>869</b>	<b>691155</b>	Seat-Valve (Intake)			
<b>742</b>	<b>93941</b>	Retainer-E Ring	<b>870</b>	<b>690380</b>	Seat-Valve (Exhaust)			
<b>745</b>	<b>691648</b>	Screw (Brake)	<b>871</b>	<b>590409</b>	Bushing-Valve Guide (Exhaust) (Used After Code Date 11063000).			
<b>783</b>	<b>795099</b>	Gear-Pinion			----- <b>Note</b> -----			
<b>783A</b>	<b>795096</b>	Gear-Pinion			<b>590409</b> Bushing-Valve Guide (Intake) (Used After Code Date 11063000).			
<b>784</b>	<b>795095</b>	Cover-Starter Gear			<b>262001</b> Bushing-Valve Guide (Exhaust) (Used Before Code Date 11070100).			
<b>785</b>	<b>692352</b>	Gasket-Starter Cover			<b>63709</b> Bushing-Valve Guide (Intake) (Used Before Code Date 11070100).			
<b>789B</b>	<b>792685</b>	Harness-Wiring ----- <b>Note</b> ----- <b>696546</b> Harness-Wiring Used on Type No(s). 0138.	<b>883</b>	<b>691881</b>	Gasket-Exhaust	<b>925</b>	<b>795403</b>	Cover-Linkage
<b>789C</b>	<b>796385</b>	Harness-Wiring	<b>892</b>	<b>690646</b>	Switch-Key	<b>930</b>	<b>691919</b>	Guard-Rewind
<b>789D</b>	<b>796574</b>	Harness-Wiring	<b>910</b>	<b>691094</b>	Stud (Alternator)	<b>930A</b>	<b>691345</b>	Guard-Rewind
<b>832</b>	<b>590486</b>	Guard-Muffler	<b>920</b>	<b>691656</b>	Solenoid-Starter	<b>935</b>	<b>499421</b>	Switch-Interlock (Used Before Code Date 08050100).
<b>832B</b>	<b>497683</b>	Guard-Muffler	<b>921A</b>	<b>695886</b>	Cover-Blower Housing	<b>937</b>	<b>794098</b>	Spline-Starter
<b>832E</b>	<b>793568</b>	Guard-Muffler	<b>921B</b>	<b>692931</b>	Cover-Blower Housing	<b>937A</b>	<b>799420</b>	Spline-Starter
<b>836</b>	<b>690664</b>	Screw (Muffler Guard)	<b>921C</b>	<b>695889</b>	Cover-Blower Housing	<b>940</b>	<b>690664</b>	Screw (Casing Clamp Bracket)
<b>836B</b>	<b>691147</b>	Screw (Muffler Guard)	<b>921E</b>	<b>696262</b>	Cover-Blower Housing	<b>949</b>	<b>696306</b>	Guard-Debris Screen
<b>836C</b>	<b>790745</b>	Screw (Muffler Guard)	<b>921F</b>	<b>697343</b>	Cover-Blower Housing	<b>957A</b>	<b>692046</b>	Cap-Fuel Tank (Plastic)
<b>842</b>	<b>691031</b>	Seal-O Ring (Dipstick Tube)	<b>921G</b>	<b>795064</b>	Cover-Blower Housing	<b>957B</b>	<b>796577</b>	Cap-Fuel Tank (Plastic)
<b>843</b>	<b>691884</b>	Sleeve-Lever (Speed Control)	<b>921H</b>	<b>790037</b>	Cover-Blower Housing	<b>957C</b>	<b>799585</b>	Cap-Fuel Tank
<b>843A</b>	<b>691895</b>	Sleeve-Lever (Choke)	<b>921J</b>	<b>790036</b>	Cover-Blower Housing			
<b>847</b>	<b>692047</b>	Dipstick/Tube Assembly	<b>921K</b>	<b>699984</b>	Cover-Blower Housing			
<b>851</b>	<b>493880s</b>	Terminal-Spark Plug	<b>921L</b>	<b>791026</b>	Cover-Blower Housing			
<b>851A</b>	<b>692424</b>	Terminal-Spark Plug	<b>921M</b>	<b>792652</b>	Cover-Blower Housing			
<b>853</b>	<b>695268</b>	Adapter-Wire ----- <b>Note</b> ----- <b>698471</b> Adapter-Wire Used on Type No(s). 2110, 2113. <b>696379</b> Adapter-Wire Used on Type No(s). 0138.	<b>921R</b>	<b>793771</b>	Cover-Blower Housing			
<b>853A</b>	<b>695897</b>	Adapter-Wire	<b>921U</b>	<b>794355</b>	Cover-Blower Housing			
			<b>921W</b>	<b>796921</b>	Cover-Blower Housing			
			<b>921X</b>	<b>796706</b>	Cover-Blower Housing			
			<b>921Y</b>	<b>798277</b>	Cover-Blower Housing			
			<b>921Z</b>	<b>592290</b>	Cover-Blower Housing			
			<b>922</b>	<b>692135</b>	Spring-Brake			

# 124T00

REF. NO.	PART NO.	DESCRIPTION	REF. NO.	PART NO.	DESCRIPTION	REF. NO.	PART NO.	DESCRIPTION
		(Plastic)	<b>994</b>	<b>398067</b>	Arrestor-Spark	<b>1160</b>	<b>690345</b>	Screw
<b>958</b>	<b>698183</b>	Valve-Fuel Shut Off	<b>994B</b>	<b>792245</b>	Arrestor-Spark			(Interlock Switch)
		(Plastic)	<b>997</b>	<b>696310</b>	Shield-Debris	<b>1210</b>	<b>498144</b>	Pulley/Spring
<b>966B</b>	<b>795259</b>	Base-Air Cleaner	<b>990</b>	<b>691959</b>	Key Set			Assembly
		Primer	<b>1005</b>	<b>691346</b>	Fan-Flywheel			(Pulley)
<b>968B</b>	<b>692298</b>	Cover-Air Cleaner	<b>1019</b>	<b>494256</b>	Kit-Label	<b>1211</b>	<b>498144</b>	Pulley/Spring
<b>969</b>	<b>690700</b>	Screw	<b>1036</b>		Label-Emissions			Assembly
		Blower Housing Cover)			(Available From A			(Spring)
<b>969A</b>	<b>691138</b>	Screw			Briggs & Stratton	<b>1319</b>	<b>794467</b>	Label-Warning
		(Blower Housing			Authorized Dealer)	<b>1330</b>	<b>270962</b>	Manual-Repair
		Cover)	<b>1058</b>	<b>380567</b>	Operator's Manual	<b>1386</b>	<b>790848</b>	Vane-Air
<b>972B</b>	<b>699374</b>	Tank-Fuel	<b>1059</b>	<b>692311</b>	Kit-Screw/Washer			(Autochoke System)
		(Plastic)	<b>1095</b>	<b>590507</b>	Gasket Set-Valve	<b>1387</b>	<b>790849</b>	Spring-Air Vane
<b>972F</b>	<b>590490</b>	Tank-Fuel	<b>1102</b>	<b>691255</b>	Pilot-Guide	<b>1388</b>	<b>790850</b>	Screw-Air Vane
		(Plastic)	<b>1119</b>	<b>691648</b>	Screw			(Autochoke System)
<b>975</b>	<b>796611</b>	Bowl-Float			(Alternator)			
<b>976</b>	<b>694395</b>	Primer-Carburetor						

Not for  
Reproduction

Not for  
Reproduction

Not for  
Reproduction

Not for  
Reproduction

Not for  
Reproduction

