



# Illustrated Parts List

## Model Series

# 129H00

TYPE NUMBERS  
0005 through 0185.

### TABLE OF CONTENTS

Alternator .....	6
Air Cleaner .....	4
Blower Housing/Shrouds .....	5
Camshaft .....	2
Carburetor .....	3
Controls .....	4
Crankshaft .....	2
Cylinder .....	2
Electric Starter .....	6
Electrical .....	6
Engine Sump .....	2
Exhaust System .....	4
Flywheel .....	5
Flywheel Brake .....	6
Fuel Supply .....	3
Governor Spring .....	4
Ignition .....	6
Kits/Gaskets .....	2 & 3
Lubrication .....	2
Piston Group .....	2
Rewind Starter .....	5
Valves .....	2

Not for reproduction



PRINTED IN U.S.A.

COPYRIGHT by BRIGGS & STRATTON CORPORATION  
All rights reserved. No part of this material may be reproduced or transmitted, in any form or by any means, electronic or mechanical, including photocopying, recording or by any information storage and retrieval system, without permission in writing from Briggs & Stratton Corporation.

# 129H00

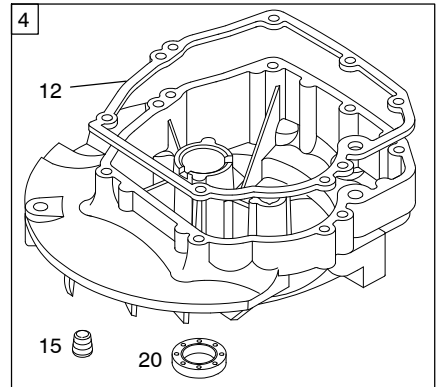
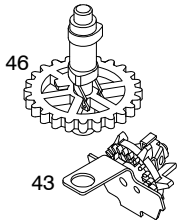
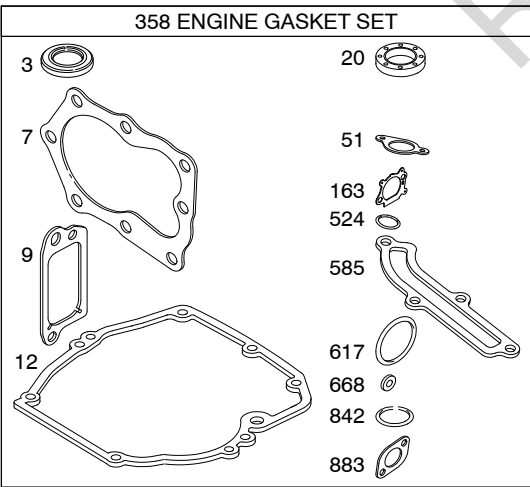
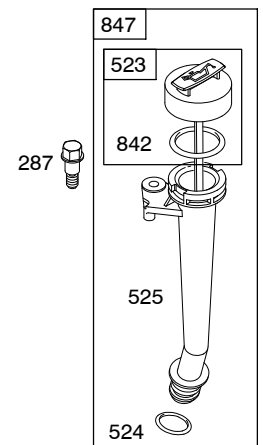
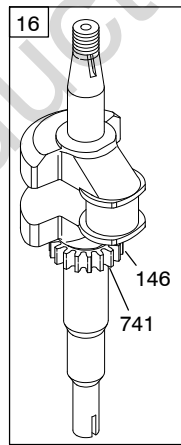
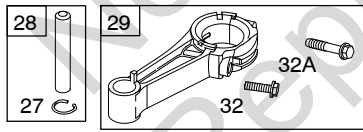
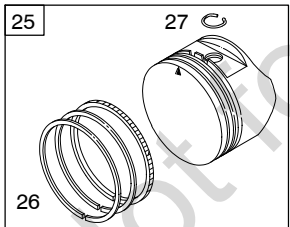
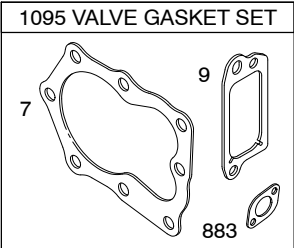
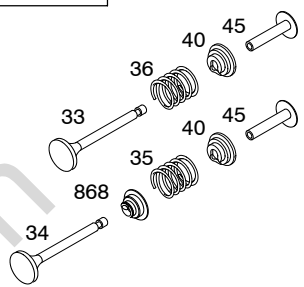
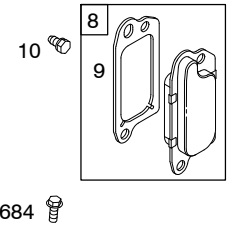
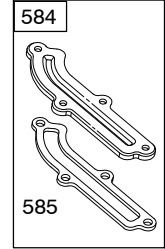
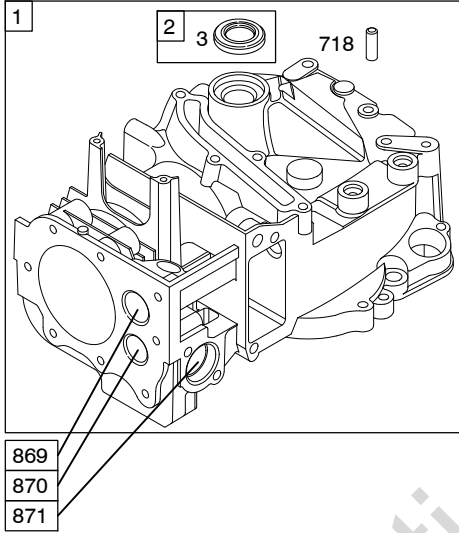
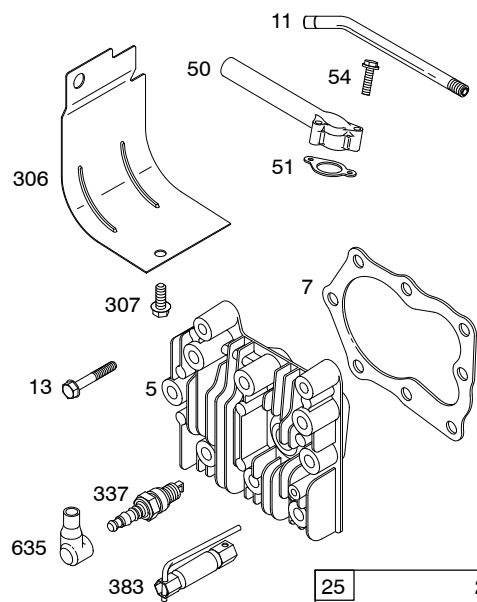
1319 WARNING LABEL

**REQUIRED** when replacing parts with warning labels affixed.

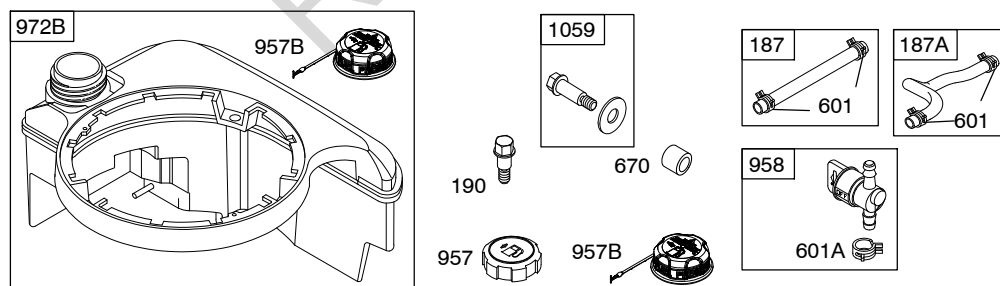
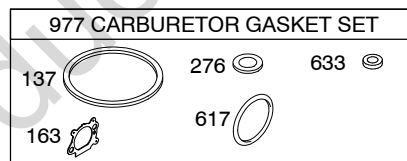
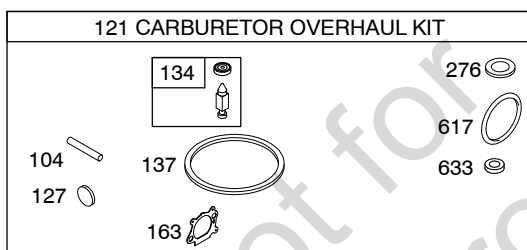
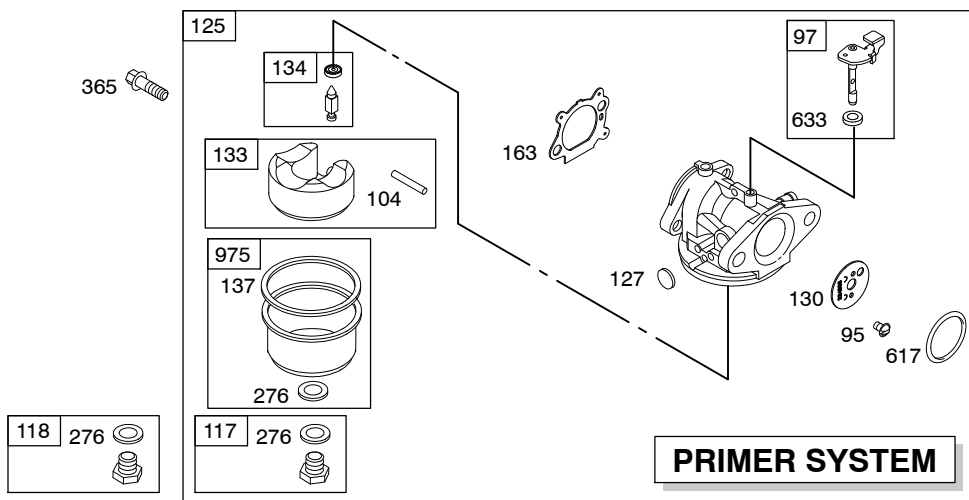
1058 OPERATOR'S MANUAL

1330 REPAIR MANUAL

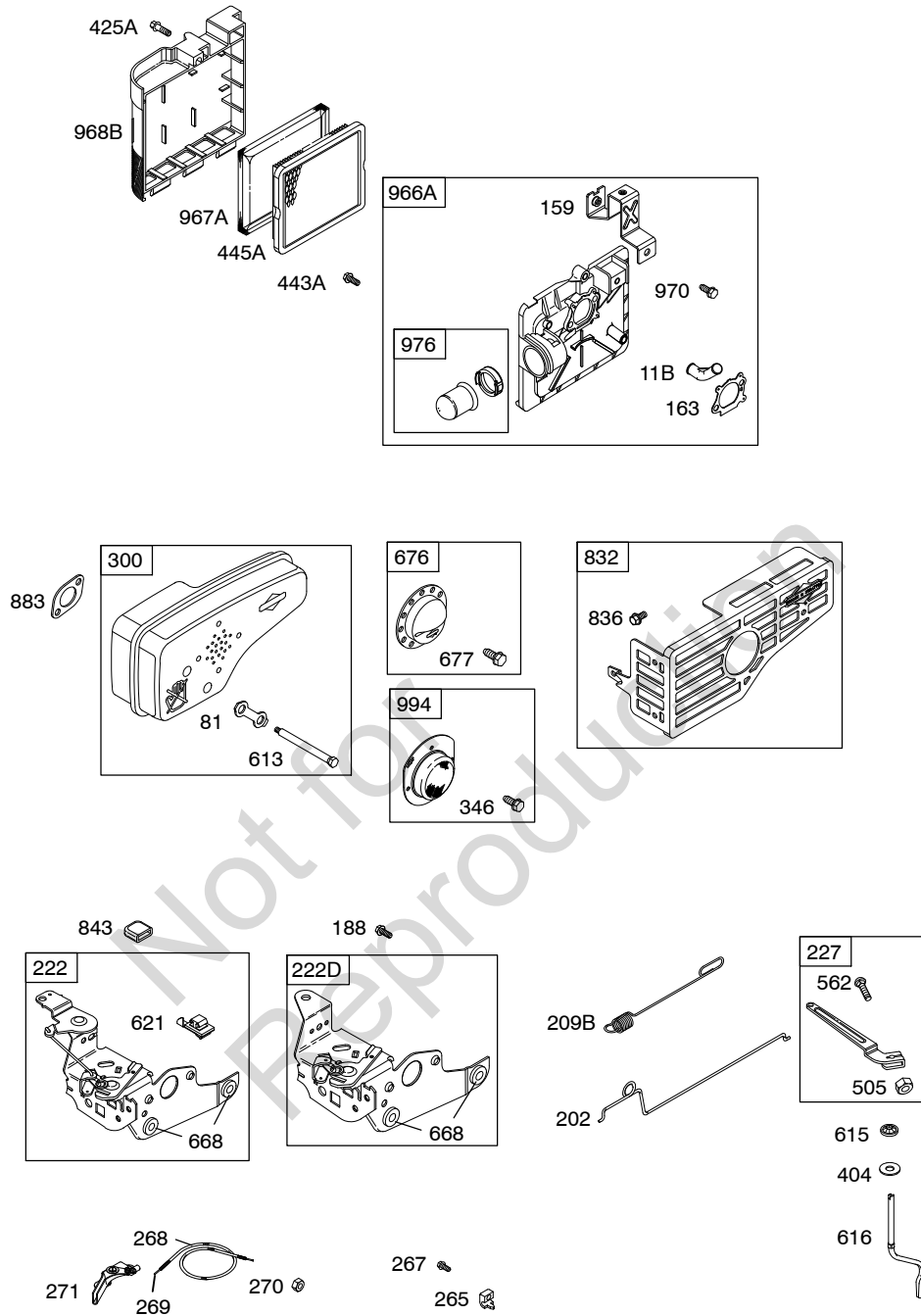
1019 LABEL KIT



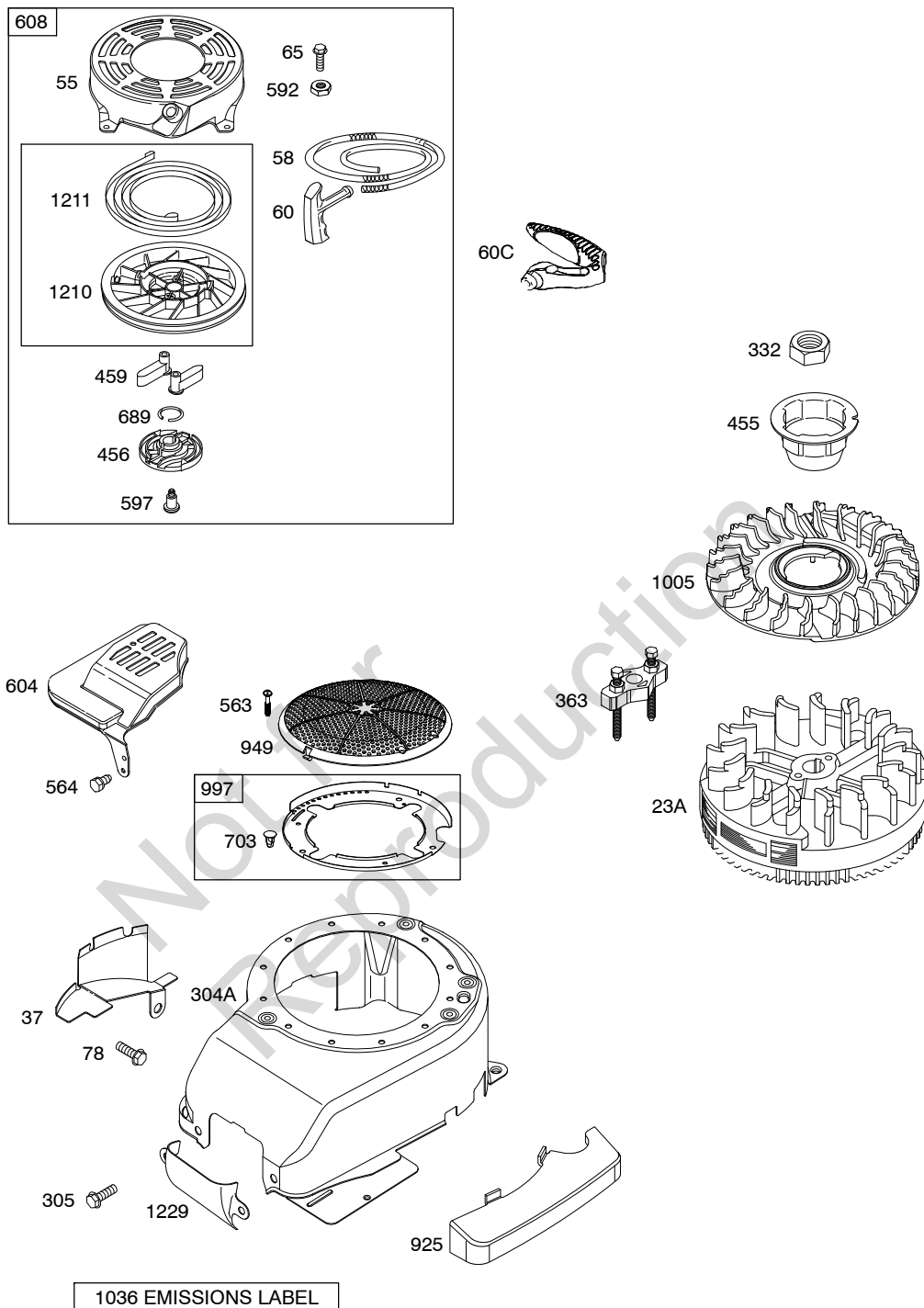
Illustrations cover a range of engines. Parts shown without corresponding text may not be used on your specific engine.



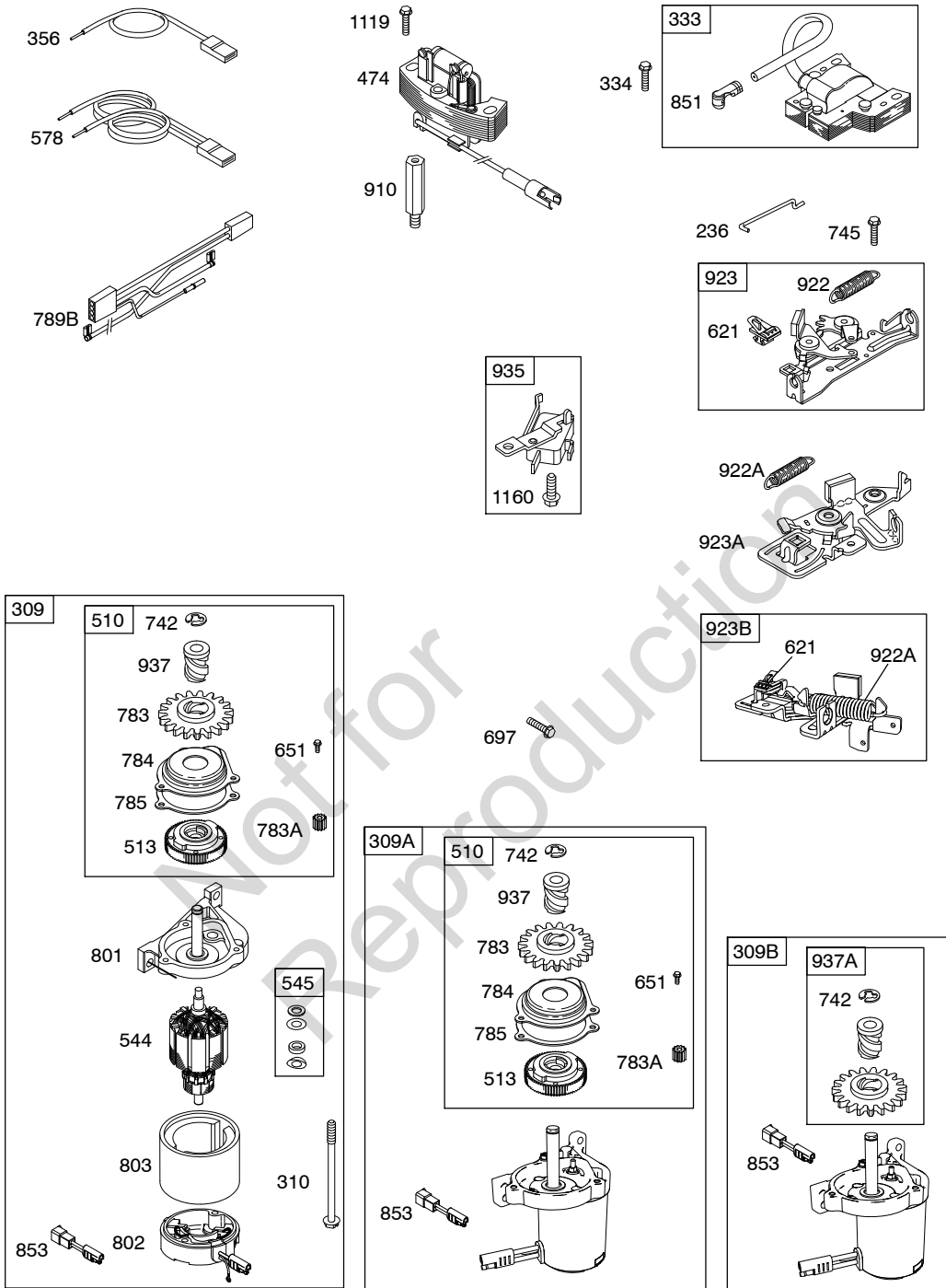
Illustrations cover a range of engines. Parts shown without corresponding text may not be used on your specific engine.



**Illustrations cover a range of engines. Parts shown without corresponding text may not be used on your specific engine.**  
**5118-4** Assemblies include all parts shown in frames. **12/20/2011**



5118-5 *Illustrations cover a range of engines. Parts shown without corresponding text may not be used on your specific engine.* Assemblies include all parts shown in frames. 12/20/2011



Illustrations cover a range of engines. Parts shown without corresponding text may not be used on your specific engine.  
 5118-6 Assemblies include all parts shown in frames. 12/20/2011

REF. NO.	PART NO.	DESCRIPTION	REF. NO.	PART NO.	DESCRIPTION	REF. NO.	PART NO.	DESCRIPTION
1	590401	Cylinder Assembly (Used After Code Date 11063000). ----- <b>Note</b> ----- 697322 Cylinder Assembly (Used Before Code Date 11070100).	8	590395	Breather Assembly (Used After Code Date 11063000). ----- <b>Note</b> ----- 695250 Beather-Assembly (Used Before Code Date 11070100).	15	691680	Plug-Oil Drain (Square Socket)
2	399269	Kit-Bushing/Seal (Magneto Side)	9	★Ø699472	Gasket-Breather (Used After Code Date 11063000). ----- <b>Note</b> ----- 699833 Gasket-Beather (Used Before Code Date 11070100).	16	691451	Crankshaft ----- <b>Note</b> ----- 691452 Crankshaft Used on Type No(s). 0105, 0117.
3	★299819S	Seal-Oil (Magneto Side)	10	691125	Screw (Breather Assembly)	20	★399781S	Seal-Oil (PTO Side)
4	493279	Sump-Engine	11	691781	Tube-Breather	22	691092	Screw (Crankcase Cover/Sump)
5	590411	Head-Cylinder (Used After Code Date 11063000). ----- <b>Note</b> ----- 691160 Head-Cylinder (Used Before Code Date 11070100).	11B	691923	Tube-Breather	23A	691992	Flywheel Used on Type No(s). 0005, 0110, 0111, 0112, 0113. ----- <b>Note</b> ----- 691987 Flywheel Used on Type No(s). 0015, 0100, 0105, 0115, 0116, 0117, 0118, 0185.
7	★Ø799875	Gasket-Cylinder Head (Used After Code Date 11063000). ----- <b>Note</b> ----- 692249 Gasket-Cylinder Head (Used Before Code Date 11070100).	12	★692232	Gasket-Crankcase	24	222698S	Key-Flywheel
			13	590422	Screw (Cylinder Head) (Used After Code Date 11063000). ----- <b>Note</b> ----- 690912 Screw (Cylinder Head) (Used Before Code Date 11070100).			

★ Included in Engine Gasket Set-Ref. No.358.

● Included in Carburetor Overhaul Kit-Ref. No. 121.

◆ Included in Carburetor Gasket Set-Ref. No. 977.

Ø Included in Valve Gasket Set-Ref. No 1095.

*Illustrations cover a range of engines. Parts shown without corresponding text may not be used on your specific engine.*

# 129H00

REF. NO.	PART NO.	DESCRIPTION	REF. NO.	PART NO.	DESCRIPTION	REF. NO.	PART NO.	DESCRIPTION												
<b>25</b>	<b>590404</b>	Piston Assembly (Standard) (Used After Code Date 11063000). ----- <b>Note</b> ----- <b>797302</b> Piston Assembly (Standard) (Used After Code Date 09041600 and Before Code Date 11070100). <b>795429</b> Piston Assembly (Standard) (Used After Code Date 07090300 and Before Code Date 09041700). <b>791097</b> Piston Assembly (Standard) (Used Before Code Date 07090400). <b>590405</b> Piston Assembly (.020" Oversize) (Used After Code Date 11063000). <b>797303</b> Piston Assembly (.020" Oversize) (Used After Code Date 09041600 and Before Code Date 11070100). <b>795430</b> Piston Assembly (.020" Oversize) (Used After Code Date 07090300 and Before Code Date 09041700). <b>791326</b> Piston Assembly (.020" Oversize) (Used Before Code Date 07090400).	<b>26</b>	<b>590402</b>	Ring Set (Standard) (Used After Code Date 11063000). ----- <b>Note</b> ----- <b>797304</b> Ring Set (Standard) (Used After Code Date 09041600 and Before Code Date 11070100). <b>795431</b> Ring Set (Standard) (Used After Code Date 07090300 and Before Code Date 09041700). <b>791098</b> Ring Set (Standard) (Used After Code Date 04031400 and Before Code Date 07090400). <b>499425</b> Ring Set (Standard) (Used Before Code Date 04031500). <b>590403</b> Ring Set (.020" Oversize) (Used After Code Date 11063000). <b>797305</b> Ring Set (.020" Oversize) (Used After Code Date 09041600 and Before Code Date 11070100). <b>795432</b> Ring Set (.020" Oversize) (Used After Code Date 07090300 and Before Code Date 09041700). <b>791324</b> Ring Set (.020" Oversize) (Used After Code Date 04102100 and Before Code Date 07090400). <b>499427</b> Ring Set (.020" Oversize) (Used Before Code Date 04102200).	<b>27</b>	<b>691588</b>	Lock-Piston Pin (Used After Code Date 09041600). ----- <b>Note</b> ----- <b>691866</b> Lock-Piston Pin (Used Before Code Date 09041700). <b>28</b>	<b>298909</b>	Pin-Piston (Used After Code Date 09041600). ----- <b>Note</b> ----- <b>499423</b> Pin-Piston (Used Before Code Date 09041700). <b>29</b>	<b>797306</b>	Rod-Connecting (Used After Code Date 09041600). ----- <b>Note</b> ----- <b>499424</b> Rod-Connecting (Used Before Code Date 09041700). <b>32</b>	<b>691664</b>	Screw (Connecting Rod) <b>32A</b>	<b>695759</b>	Screw (Connecting Rod) <b>33</b>	<b>590394</b>	Valve-Exhaust (Used After Code Date 11063000). ----- <b>Note</b> ----- <b>260651S</b> Valve-Exhaust (Used Before Code Date 11070100). <b>34</b>	<b>590393</b>	Valve-Intake (Used After Code Date 11063000). ----- <b>Note</b> ----- <b>262652S</b> Valve-Intake (Used Before Code Date 11070100).

★ Included in Engine Gasket Set-Ref. No.358.

● Included in Carburetor Overhaul Kit-Ref. No. 121.

◆ Included in Carburetor Gasket Set-Ref. No. 977.

⊘ Included in Valve Gasket Set-Ref. No 1095.

**Illustrations cover a range of engines. Parts shown without corresponding text may not be used on your specific engine.**



REF. NO.	PART NO.	DESCRIPTION	REF. NO.	PART NO.	DESCRIPTION	REF. NO.	PART NO.	DESCRIPTION
35	691270	Spring-Valve (Intake)	137	◆796610	Gasket-Float Bowl (1/8" Thick)	268	691025	Casing-Control Wire (Cut to Required Length)
36	691270	Spring-Valve (Exhaust)			----- Note -----	269	691026	Wire-Control (Cut to Required Length)
37	694086	Guard-Flywheel			693981 Gasket-Float Bowl (1/16" Thick)	270	691027	Nut (Control Wire Casing)
40	692194	Retainer-Valve	146	690979	Key-Timing	271	691028	Lever-Control
43	691997	Slinger-Governor/Oil	159	691753	Bracket-Air Cleaner Primer	276	◆271716	Washer-Sealing (Main Jet)
45	690548	Tappet-Valve	163	◆272653	Gasket-Air Cleaner	287	690940	Screw (Dipstick Tube)
46	691449	Camshaft	187	791766	Line-Fuel (Cut to Required Length)	300	692038	Muffler (Super Lo Tone)
50	497465	Manifold-Intake	187A	791873	Line-Fuel (Molded)	304A	493294	Housing-Blower ----- Note -----
51	★272199S	Gasket-Intake	188	693399	Screw (Control Bracket)			695892 Housing-Blower Used on Type No(s). 0015, 0100, 0105, 0115.
54	691650	Screw (Intake Manifold)	190	690940	Screw (Fuel Tank)			795071 Housing-Blower Used on Type No(s). 0116, 0117, 0118.
55	691421	Housing-Rewind Starter	202	691829	Link-Mechanical Governor	305	691108	Screw (Blower Housing)
58	697316	Rope-Starter (Cut To Required Length)	209B	691291	Spring-Governor ----- Note -----	306	690450	Shield-Cylinder
60	281434S	Grip-Starter Rope			691851 Spring-Governor Used on Type No(s). 0185.	307	690345	Screw (Cylinder Shield)
60C	799716	Grip-Starter Rope			691292 Spring-Governor Used on Type No(s). 0105.	309	695550	Motor-Starter (Used Before Code Date 07052900).
65	690837	Screw (Rewind Starter)	222	790143	Bracket-Control (Remote/Manual Friction)(Primer)	309A	795092	Motor-Starter (Used After Code Date 07052800 and Before Code Date 10112800).
78	691108	Screw (Flywheel Guard)	222D	692467	Bracket-Control (Fixed Speed)	309B	799045	Motor-Starter (Used After Code Date 10112700).
81	691740	Lock-Muffler Screw	227	690783	Lever-Governor Control			
95	691636	Screw (Throttle Valve)	236	691826	Link-Lockout			
97	696565	Shaft-Throttle	265	690798	Clamp-Casing			
104	◆691242	Pin-Float Hinge	267	691044	Screw (Casing Clamp)			
117	498978	Jet-Main (Standard)						
118	498975	Jet-Main (High Altitude)						
121	498260	Kit-Carburetor Overhaul						
125	498170	Carburetor (Primer System)						
127	◆694468	Plug-Welch						
130	696564	Valve-Throttle						
133	398187	Float-Carburetor						
134	◆398188	Kit-Needle/Seat						

★ Included in Engine Gasket Set-Ref. No.358.

● Included in Carburetor Overhaul Kit-Ref. No. 121.

◆ Included in Carburetor Gasket Set-Ref. No. 977.

⊙ Included in Valve Gasket Set-Ref. No 1095.

*Illustrations cover a range of engines. Parts shown without corresponding text may not be used on your specific engine.*

# 129H00

REF. NO.	PART NO.	DESCRIPTION	REF. NO.	PART NO.	DESCRIPTION	REF. NO.	PART NO.	DESCRIPTION
310	690662	Bolt (Starter Motor)	474	691991	Alternator	633	◆◆691321	Seal-Choke/Throttle Shaft (Throttle)
332	690662	Nut (Flywheel)	505	691251	Nut (Governor Control Lever)	635	66538S	Boot-Spark Plug
333	802574	Armature-Magneto	510	795093	Drive-Starter	651	690345	Scerw (Starter Gear Cover)
334	691061	Screw (Magneto Armature)	513	692358	Clutch-Drive	668	◆493823	Spacer
337	799876	Plug-Spark (Used After Code Date 11063000).	523	499621	Dipstick	670	692294	Spacer-Fuel Tank
		----- Note ----- 802592S Plug-Spark (Used Before Code Date 11070100).	524	◆692296	Seal-Dipstick Tube	676	396548	Deflector-Muffler
346	690661	Screw (Spark Arrester)	525	495265	Tube-Dipstick	677	690661	Screw (Muffler Deflector)
356	692390	Wire-Stop	544	690786	Armature-Starter	684	690345	Screw (Breather Passage Cover)
358	590508	Gasket Set-Engine (Used After Code Date 11063000).	545	492919	Washer Set (Starter Motor)	689	691855	Spring-Friction
		----- Note ----- 794307 Gasket Set-Engine (Used Before Code Date 11070100).	562	92613	Bolt (Governor Control Lever)	703	696309	Clip
363	19069	Flywheel Puller	563	691138	Screw (Debris Guard Screen)	718	690959	Pin-Locating
365	691688	Screw (Carburetor)	564	690664	Screw (Control Cover)	741	797521	Gear-Timing (Metal) (Used After Code Date 08021700).
383	89838S	Wrench-Spark Plug	578	398153	Wire-Assembly			----- Note ----- 795755 Gear-Timing (Plastic) (Used After Code Date 08021700).
404	690272	Washer (Governor Crank)	584	697734	Cover-Breather Passage			794388 Gear-Timing (Use Without Woodruff Key) (Used After Code Date 07093000 and Before Code Date 08021800).
425A	690670	Screw (Air Cleaner Cover)	585	◆691879	Gasket-Breather Passage			790345 Gear-Timing (Use Without Woodruff Key) (Used Before Code Date 07100100).
443A	692523	Screw (Air Cleaner Primer Base)	592	690800	Nut (Rewind Starter)			691830 Gear-Timing (Uses Woodruff Key)
445A	491588S	Filter-Air Cleaner Cartridge	597	691696	Screw (Pawl Friction Plate)			742 93941 Retainer-E Ring
455	791960	Cup-Flywheel	601	791850	Clamp-Hose			745 691648 Screw (Brake)
456	692299	Plate-Pawl Friction	601A	691038	Clamp-Hose			
459	281505S	Plate-Ratchet	604	691757	Cover-Control			
			608	497680	Starter-Rewind			
			613	691340	Screw (Muffler)			
			615	690340	Retainer-Governor Shaft			
			616	698801	Crank-Governor			
			617★◆	◆270344	Seal-O Ring (Intake Manifold)			
			621	692310	Switch-Stop			

★ Included in Engine Gasket Set-Ref. No.358.

● Included in Carburetor Overhaul Kit-Ref. No. 121.

◆ Included in Carburetor Gasket Set-Ref. No. 977.

⊘ Included in Valve Gasket Set-Ref. No 1095.

**Illustrations cover a range of engines. Parts shown without corresponding text may not be used on your specific engine.**

REF. NO.	PART NO.	DESCRIPTION	REF. NO.	PART NO.	DESCRIPTION	REF. NO.	PART NO.	DESCRIPTION
783	691918	Gear-Pinion	871	590409	Bushing-Valve Guide (Exhaust)	925	795403	Cover-Linkage (Used After Code Date 07072200).
783A	691269	Gear-Pinion			(Used After Code Date 11063000).			----- Note -----
784	795095	Cover-Starter Gear						690595 Cover-Linkage
785	692352	Gasket-Starter Cover						(Used Before Code Date 07072300).
789B	696546	Harness-Wiring						935 499421 Switch-Interlock (Used Before Code Date 08050100).
		----- Note -----						937 691325 Spline-Starter
		696547 Harness-Wiring						937A 799420 Spline-Starter
		Used on Type No(s). 0116, 0117, 0118.						949 696306 Guard-Debris Screen
801	690782	Cap-Drive						957 397974S Cap-Fuel Tank (Plastic)
802	695267	Cap-End						957B 699985 Cap-Fuel Tank (Plastic)
803	695266	Housing-Starter						958 698183 Valve-Fuel Shut Off (Plastic)
832	590486	Guard-Muffler (Used After Code Date 11063000).						966A 496116 Base-Air Cleaner Primer
		----- Note -----						967A 493537S Filter-Pre Cleaner
		499034 Guard-Muffler (Used Before Code Date 11070100).						968B 692298 Cover-Air Cleaner
836	690664	Scerw (Muffler Guard)	883	691881	Gasket-Exhaust			970 691669 Screw (Air Cleaner Primer Bracket)
842	691031	Seal-O Ring (Dipstick Tube)	910	691094	Stud (Alternator)			972B 699374 Tank-Fuel (Plastic)
843	691884	Sleeve-Lever	922	691831	Spring-Brake			975 493640 Bowl-Float
847	692047	Dipstick/Tube Assembly	922A	692135	Spring-Brake			976 694395 Primer-Carburetor
			923	691994	Brake			977 498261 Gasket Set-Carburetor
851	493880S	Terminal-Spark Plug	923A	695891	Brake			994 398067 Arrestor-Spark
853	696842	Adapter-Wire						997 696310 Shield-Debris
868	590410	Seal-Valve (Used After Code Date 11063000).						1005 691346 Fan-Flywheel
		----- Note -----						1019 696438 Kit-Label
		697338 Seal-Valve (Used Before Code Date 11070100).	923B	796136	Brake (Used After Code Date 08043000).			1036 Label-Emissions (Available From A Briggs & Statton Authorized Dealer)
869	691155	Seat-Valve (Intake)						
870	690380	Seat-Valve (Exhaust)						

★ Included in Engine Gasket Set-Ref. No.358.

● Included in Carburetor Overhaul Kit-Ref. No. 121.

◆ Included in Carburetor Gasket Set-Ref. No. 977.

⊘ Included in Valve Gasket Set-Ref. No 1095.

*Illustrations cover a range of engines. Parts shown without corresponding text may not be used on your specific engine.*

# 129H00

REF. NO.	PART NO.	DESCRIPTION	REF. NO.	PART NO.	DESCRIPTION	REF. NO.	PART NO.	DESCRIPTION
1058	380567	Operator's Manual (Used After Code Date 11063000).	1095	590507	Gasket Set-Valve (Used After Code Date 11063000).	1210	498144	Pulley/Spring Assembly (Pulley)
		----- <b>Note</b> -----			----- <b>Note</b> -----	1211	498144	Pulley/Spring Assembly (Spring)
	277039	Operator's Manual (Used Before Code Date 11070100).	498528	Gasket Set-Valve (Used Before Code Date 11070100).	1229	696308	Extension-Blower Housing	
1059	692311	Kit-Screw/Washer	1119	691648	Screw (Alternator)	1319	794467	Label-Warning
			1160	690345	Screw (Interlock Switch)	1330	270962	Manual-Repair

Not for  
Reproduction

- ★ Included in Engine Gasket Set-Ref. No.358.
- Included in Carburetor Overhaul Kit-Ref. No. 121.

- ◆ Included in Carburetor Gasket Set-Ref. No. 977.
- ∅ Included in Valve Gasket Set-Ref. No 1095.

**Illustrations cover a range of engines. Parts shown without corresponding text may not be used on your specific engine.**

Not for  
Reproduction

Not for  
Reproduction

Not for  
Reproduction

Not for  
Reproduction

