



# Illustrated Parts List

## Model Series

# 31P700

TYPE NUMBERS  
0115 through 3462.

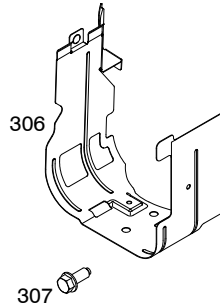
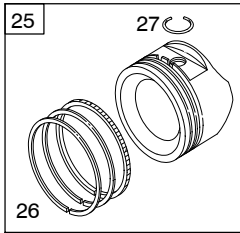
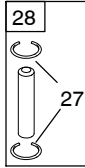
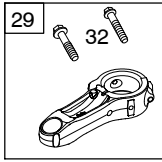
### TABLE OF CONTENTS

<b>Air Cleaner</b> .....	5
<b>Alternator</b> .....	7
<b>Blower Housing</b> .....	5
<b>Camshaft</b> .....	2
<b>Carburetor</b> .....	4
<b>Controls</b> .....	7
<b>Crankshaft</b> .....	2
<b>Cylinder</b> .....	2
<b>Cylinder Head</b> .....	3
<b>Electric Starter</b> .....	7
<b>Engine Sump</b> .....	2
<b>Exhaust System</b> .....	5
<b>Flywheel</b> .....	6
<b>Fuel Supply</b> .....	5
<b>Gasket Set - Engine</b> .....	2
<b>Gasket Set - Valve</b> .....	3
<b>Governor Spring</b> .....	7
<b>Ignition</b> .....	7
<b>Intake Manifold</b> .....	3
<b>Kit - Carburetor Overhaul</b> .....	4
<b>Lubrication</b> .....	3
<b>Operator's Manual</b> .....	2
<b>Piston, Rings, Connecting Rod</b> .....	2
<b>Valves</b> .....	3
<b>Warning Label</b> .....	2



PRINTED IN U.S.A.

COPYRIGHT by BRIGGS & STRATTON CORPORATION  
All rights reserved. No part of this material may be reproduced or transmitted, in any form or by any means, electronic or mechanical, including photocopying, recording or by any information storage and retrieval system, without permission in writing from Briggs & Stratton Corporation.



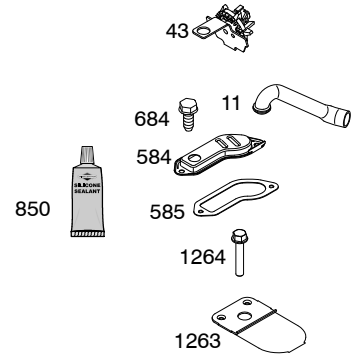
1319 WARNING LABEL

**WARNING**  
 Read and follow label directions before using.  
 Always use proper maintenance techniques.  
 Do not use a power tool unless it is specifically designed for this purpose.  
 Do not use a power tool unless it is specifically designed for this purpose.  
 Do not use a power tool unless it is specifically designed for this purpose.

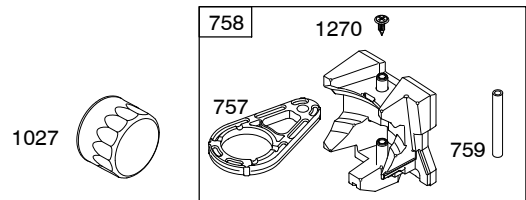
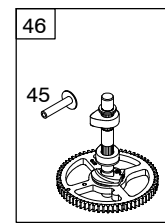
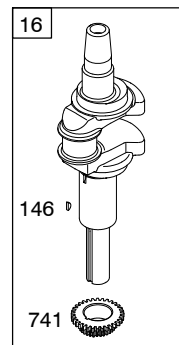
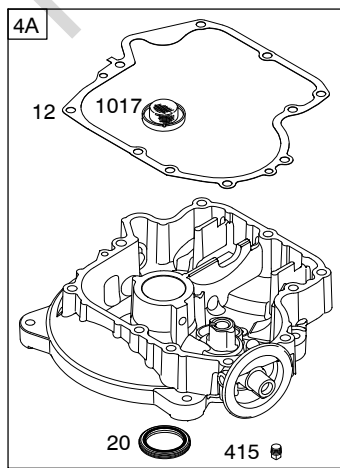
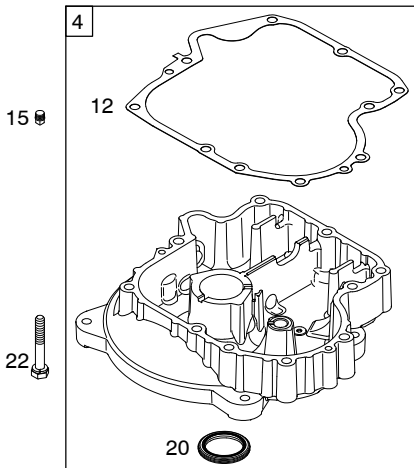
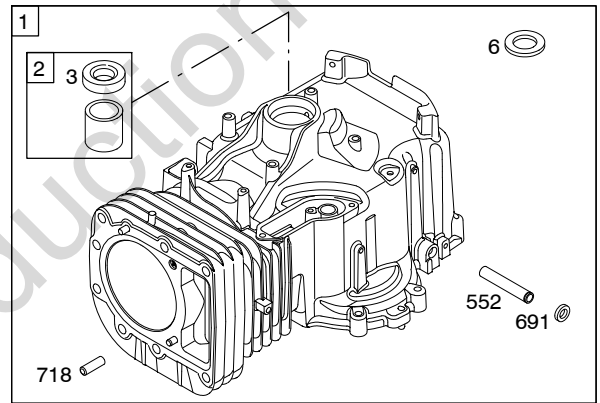
**REQUIRED** when replacing parts with warning labels affixed.

1058 OPERATOR'S MANUAL

1036 EMISSIONS LABEL

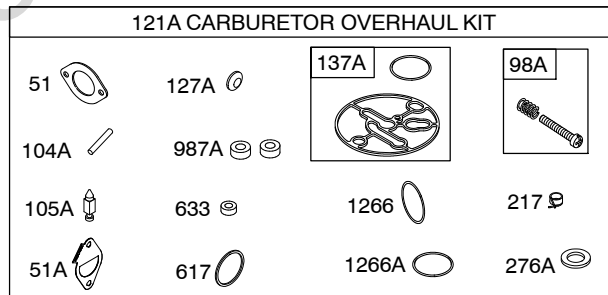
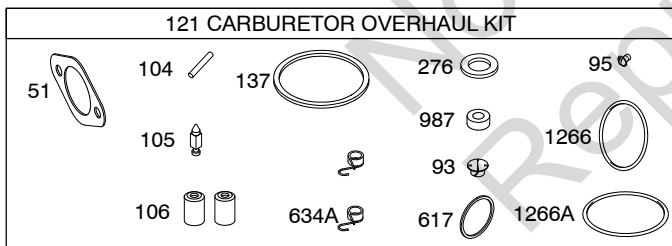
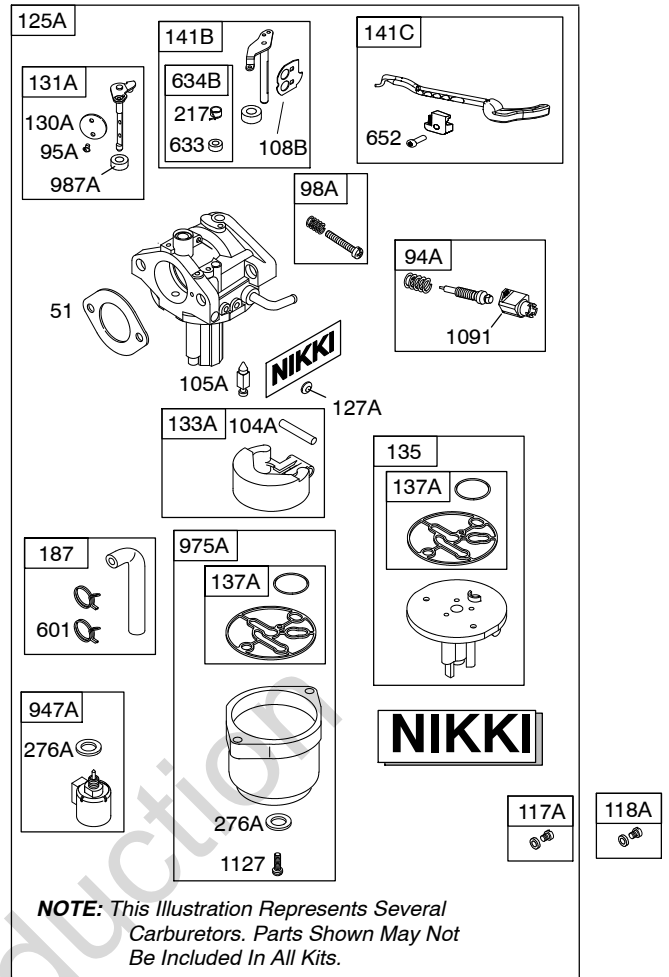
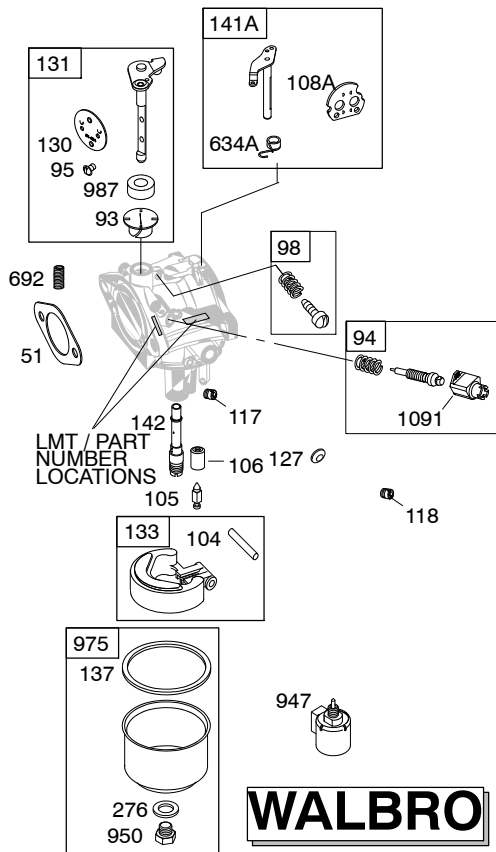


358 ENGINE GASKET SET

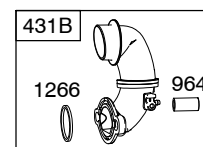
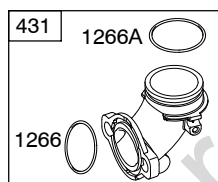
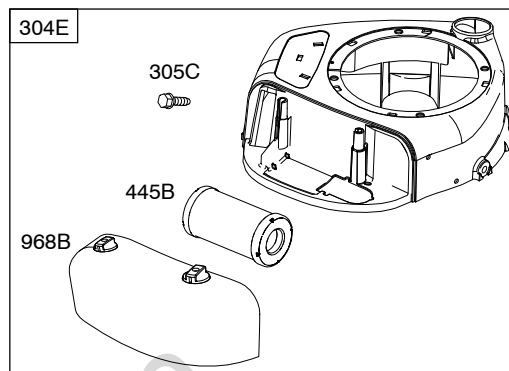
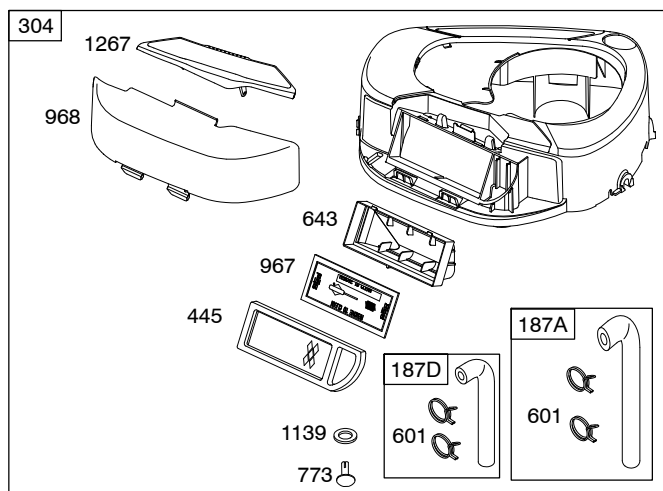
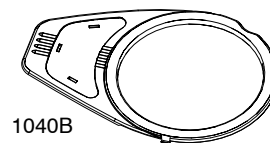
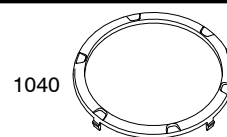




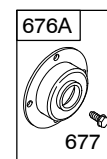
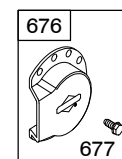
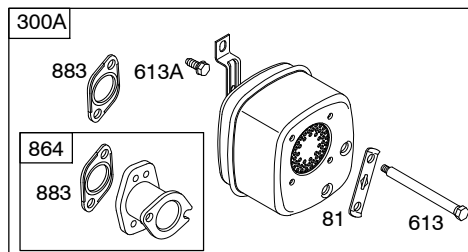
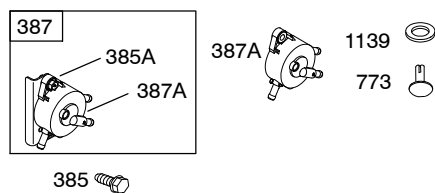
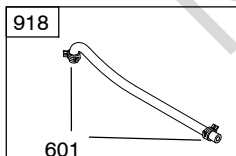
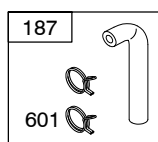
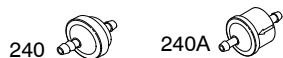
# 31P700



- 305 
- 305A 
- 305B 

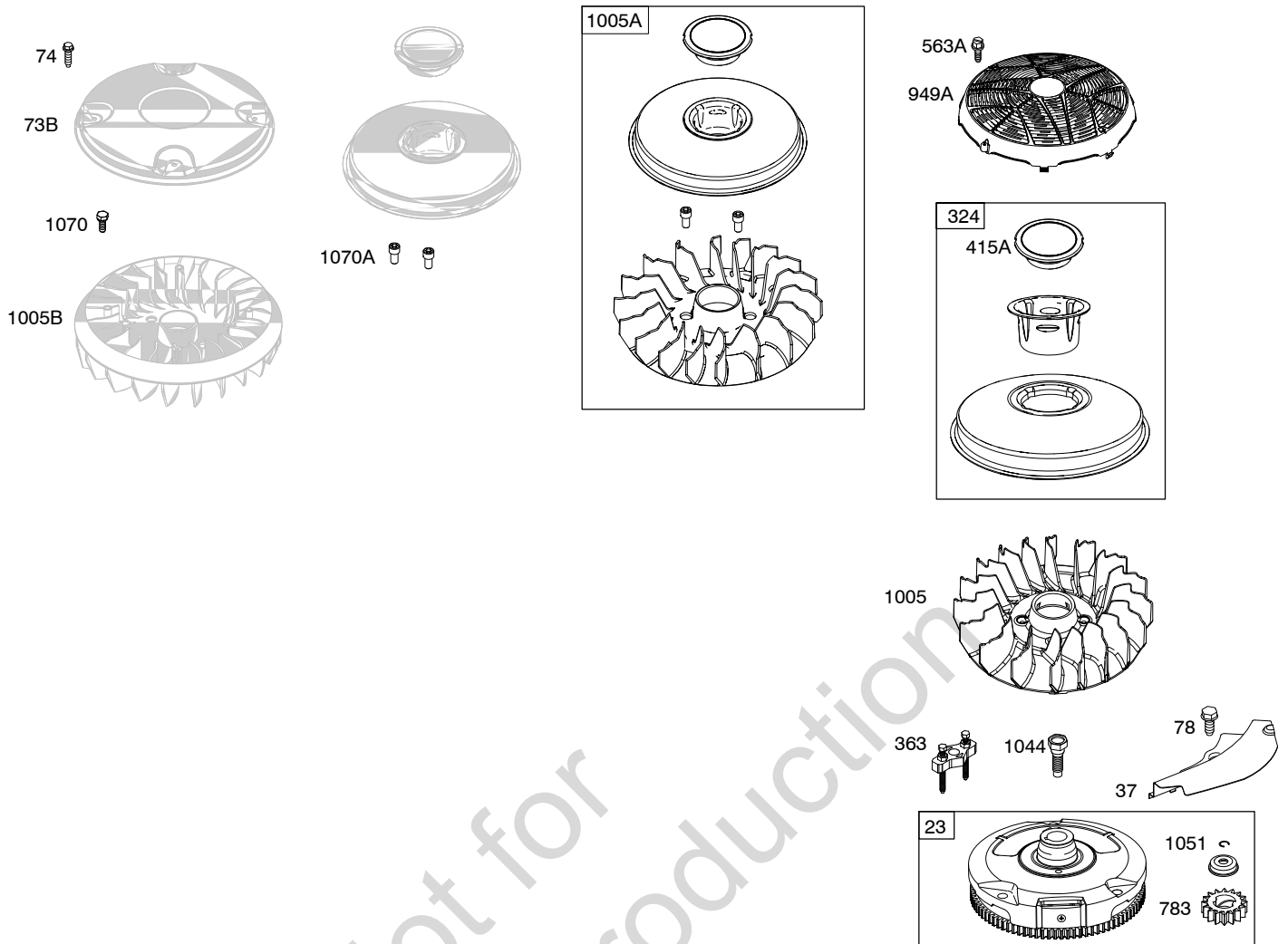


305B 

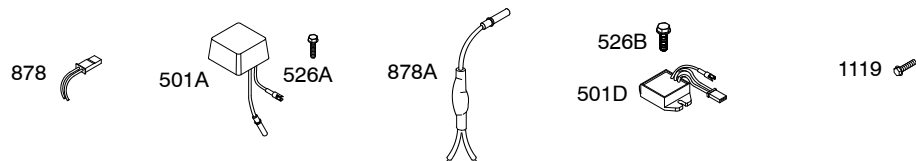


823 

# 31P700

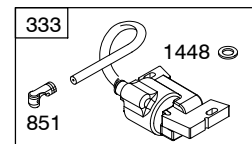
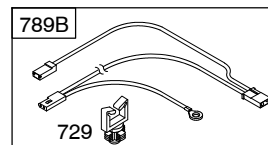
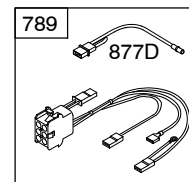
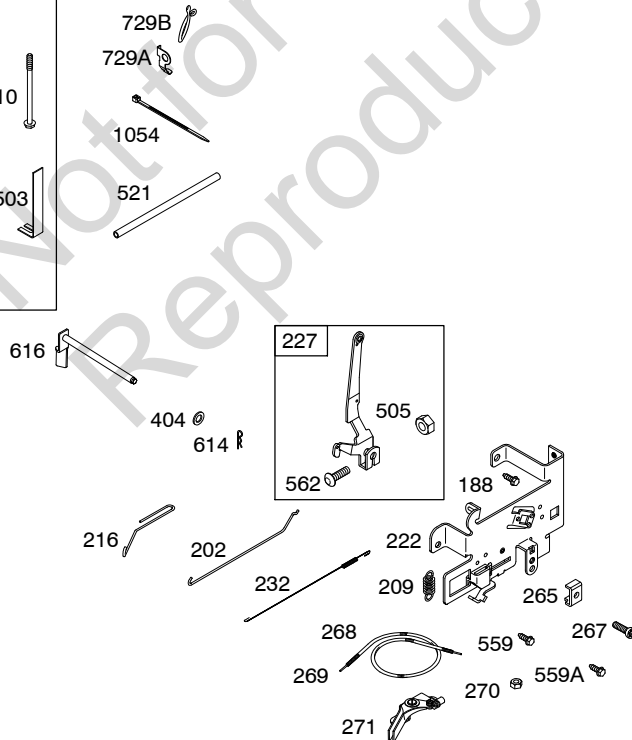
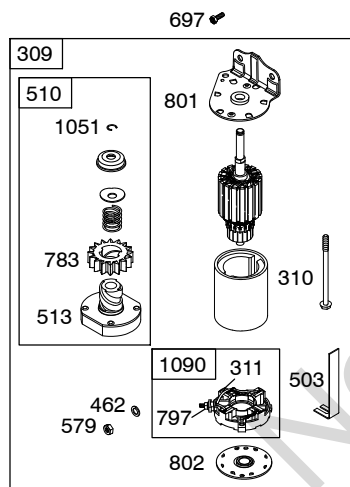


DUAL CIRCUIT		5/9 AMP		TRI CIRCUIT		10/16 AMP	
474B	1059	474C	1059	474C	1059	474D	1059



**NOTE:** All stators use a No. 1119 mounting screw.

**NOTE:** The proper flywheel part number and/or the alternator magnet size will determine the alternator type or output. See repair instruction manual for additional information.



# 31P700

REF. NO.	PART NO.	DESCRIPTION	REF. NO.	PART NO.	DESCRIPTION	REF. NO.	PART NO.	DESCRIPTION		
1	796010	Cylinder Assembly ----- <b>Note</b> ----- 796010 Cylinder Assembly (Used Before Code Date 08042800) Must Be Used With The After 08042700 Cylinder Shield, Ref 306.	7	796584	Gasket-Cylinder Head	23	693557	Flywheel Used on Type No(s). 0202, 0203, 0293, 0296, 0299, 0337, 0378, 0492, 0565, 0581, 0602, 0770, 2770, 3202, 3602.		
2	797673	Kit-Bushing/Seal (Magneto Side)	11	794683	Tube-Breather (Used After Code Date 07071800). ----- <b>Note</b> ----- 697113 Tube-Breather (Used Before Code Date 07071900).			----- <b>Note</b> ----- 693556 Flywheel Used on Type No(s). 0115, 0116, 0120, 0121, 0122, 0125, 0133, 0134, 0135, 0136, 0137, 0142, 0153, 0348, 0349, 0366, 0371, 0899, 1076.		
3	391086S	Seal-Oil (Magneto Side)	12	697110	Gasket-Crankcase (.015" Thick) (Standard)			698282 Flywheel Used on Type No(s). 0117, 0123, 0124, 0126, 0130, 0131, 0132, 0140, 0141, 0143, 0146, 0147, 0148, 0149, 0150, 0155, 0156, 0237, 0238, 0241, 0242, 0244, 0372, 0367, 0832, 2143, 2147, 2148.		
4	697106	Sump-Engine Used on Type No(s). 0140, 0149, 0241, 0242, 0244, 0372, 0832. ----- <b>Note</b> ----- 697106 Sump-Engine (Used After Code Date 05100200). Used on Type No(s). 0123, 0124, 0126, 0130, 0131, 0132, 0136.	13	793988	Screw (Cylinder Head) (Used After Code Date 07010900). ----- <b>Note</b> ----- 690360 Screw (Cylinder Head) (Used Before Code Date 07011000).			698281 Flywheel Used on Type No(s). 0110, 1462, 3462.		
4A	697188	Sump-Engine (Used After Code Date 05100200). ----- <b>Note</b> ----- 795903 Sump-Engine (Used Before Code Date 05100300). Used on Type No(s). 0123, 0124, 0126, 0130, 0131, 0132, 0136. (Must Use Kit 795903, Includes Sump And Counterweight).	15	690946	Plug-Oil Drain (Square Head) ----- <b>Note</b> ----- 691680 Plug-Oil Drain (Flush) Used on Type No(s). 0115, 0293.	24	796335	Key-Flywheel		
5	796026	Head-Cylinder	16	797579	Crankshaft ----- <b>Note</b> ----- 797585 Crankshaft Used on Type No(s). 0137, 0146, 0237, 0238, 0367. 793244 Crankshaft Used on Type No(s). 0117, 0141.	25	796172	Piston Assembly (Standard) ----- <b>Note</b> ----- 796173 Piston Assembly (.020" Oversize)		
6	690310	Washer (Used After Code Date 07070900).	20	795387	Seal-Oil (PTO Side)			26	791936	Ring Set (Standard) (Used After Code Date 06010100). ----- <b>Note</b> ----- 699051 Ring Set (Standard) (Used Before Code Date 06010200). 792649 Ring Set (.020" Oversize) (Used After Code Date 06010100). 697559 Ring Set (.020" Oversize) (Used Before Code Date 06010200).
			22	692125	Screw (Crankcase Cover/Sump)					

Illustrations cover a range of engines. Parts shown without corresponding text may not be used on your specific engine.  
5766-8 Assemblies include all parts shown in frames. 05/14/2012



# 31P700

REF. NO.	PART NO.	DESCRIPTION	REF. NO.	PART NO.	DESCRIPTION	REF. NO.	PART NO.	DESCRIPTION
27	698469	Lock-Piston Pin	78	691693	Screw (Flywheel Guard)	117A	843099	Jet-Main (Standard)
28	796007	Pin-Piston (Standard) (Used After Code Date 08042700).	81	691178	Lock-Muffler Screw			Used on Type No(s). 0110, 0140, 0141, 0142, 0143, 0146, 0147, 0148, 0149, 0150, 0153, 0155, 0156, 0203, 0237, 0238, 0241, 0242, 0244, 0770, 1462, 2143, 2147, 2148, 2770, 3202, 3462, 3602.
		----- Note -----	93	690602	Bushing-Throttle Shaft			
		697099 Pin-Piston (Standard) (Used Before Code Date 08042800).	94	794176	Kit-Idle Mixture (Walbro)			
29	794122	Rod-Connecting (Standard)	94A	793610	Kit-Idle Mixture (Nikki)			
		----- Note -----	95	691636	Screw (Throttle Valve) (Walbro)			
		794571 Rod-Connecting (Standard) Used on Type No(s). 0117, 0137, 0141, 0146, 0147, 0237, 0238, 0367, 2147.	95A	690718	Screw (Throttle Valve) (Nikki)			
			98	495800	Kit-Idle Speed (Walbro)			----- Note -----
32	791118	Screw (Connecting Rod)	98A	695408	Kit-Idle Speed (Nikki)			843099 Jet-Main (Standard) (Used After Code Date 09012400).
33	792868	Valve-Exhaust	104	690525	Pin-Float Hinge (Walbro)			Used on Type No(s). 0115, 0117, 0120, 0121, 0122, 0123, 0124, 0126, 0130, 0132, 0136, 0137, 0296, 0337, 0348, 0349, 0366, 0367, 0372, 0492, 0832, 1076.
34	791935	Valve-Intake	104A	694918	Pin-Float Hinge (Nikki)			699732 Jet-Main (Standard) (Used Before Code Date 09012500).
35	691279	Spring-Valve (Intake)	105	231855S	Valve-Float Needle (Walbro)			Used on Type No(s). 0115, 0117, 0120, 0121, 0122, 0123, 0124, 0126, 0130, 0132, 0136, 0137, 0296, 0337, 0348, 0349, 0366, 0367, 0372, 0492, 0832, 1076.
36	691279	Spring-Valve (Exhaust)	105A	696136	Valve-Float Needle (Nikki)			699732 Jet-Main (Standard) (Used Before Code Date 09012500).
37	697352	Guard-Flywheel	106	690577	Seat-Inlet (GravityFeed)			Used on Type No(s). 0115, 0117, 0120, 0121, 0122, 0123, 0124, 0126, 0130, 0132, 0136, 0137, 0296, 0337, 0348, 0349, 0366, 0367, 0372, 0492, 0832, 1076.
42	499586	Keeper-Valve			----- Note -----			843099 Jet-Main (Standard) (Used After Code Date 08051300).
43	691968	Slinger-Governor/Oil			691780 Seat-Inlet (Pump Feed)			Used on Type No(s). 0116, 0125, 0133, 0134, 0293, 0299, 0371, 0378, 0565, 0581, 0602, 0899.
45	690564	Tappet-Valve	108A	692344	Valve-Choke (Walbro)			
46	793880	Camshaft	108B	695419	Valve-Choke (Nikki)			
50	591248	Manifold-Intake	117	694352	Jet-Main (Standard)			
51	692137	Gasket-Intake						
51A	796081	Gasket-Intake						
53	591260	Stud (Carburetor) (Used After Code Date 11121800).						
		----- Note -----						
		690227 Stud (Carburetor) (Used Before Code Date 11121900).						
54	691148	Screw (Intake Manifold)						
73B		Screen-Rotating (Used Before Code Date 07040900). (No Longer Available. See Reference 1005A For Service Flywheel)						
74	697897	Screw (Rotating Screen) (Used Before Code Date 07040900).						

**Illustrations cover a range of engines. Parts shown without corresponding text may not be used on your specific engine.**  
 5766-9 Assemblies include all parts shown in frames. 05/14/2012

# 31P700

REF. NO.	PART NO.	DESCRIPTION	REF. NO.	PART NO.	DESCRIPTION	REF. NO.	PART NO.	DESCRIPTION
		<b>699732</b> Jet-Main (Standard) (Used Before Code Date 08051400). Used on Type No(s). 0116, 0125, 0133, 0134, 0293, 0299, 0371, 0378, 0565, 0581, 0602, 0899.			<b>699458</b> Jet-Main (High Altitude) (Used Before Code Date 09012500). Used on Type No(s). 0115, 0117, 0120, 0121, 0122, 0123, 0124, 0126, 0130, 0132, 0136, 0137, 0296, 0337, 0348, 0349, 0366, 0367, 0372, 0492, 0832, 1076.	<b>125</b>	<b>793224</b>	Carburetor (Walbro)
		<b>843099</b> Jet-Main (Standard) (Used After Code Date 08042700). Used on Type No(s). 0131, 0135, 0202.			<b>790890</b> Jet-Main (High Altitude) (Used After Code Date 08051300). Used on Type No(s). 0116, 0125, 0133, 0134, 0293, 0299, 0371, 0378, 0565, 0581, 0602, 0899.	<b>125A</b>	<b>796109</b>	Carburetor (Nikki) Used on Type No(s). 0110, 0140, 0141, 0142, 0143, 0146, 0147, 0148, 0149, 0150, 0153, 0155, 0156, 0203, 0237, 0238, 0241, 0242, 0244, 0770, 1462, 2143, 2147, 2148, 2770, 3202, 3462, 3602.
		<b>699732</b> Jet-Main (Standard) (Used Before Code Date 08042800). Used on Type No(s). 0131, 0135, 0202.			<b>790890</b> Jet-Main (High Altitude) (Used After Code Date 08051300). Used on Type No(s). 0116, 0125, 0133, 0134, 0293, 0299, 0371, 0378, 0565, 0581, 0602, 0899.	----- Note -----		
<b>118</b>	<b>697228</b>	Jet-Main (High Altitude)			<b>699458</b> Jet-Main (High Altitude) (Used Before Code Date 08051400). Used on Type No(s). 0116, 0125, 0133, 0134, 0293, 0299, 0371, 0378, 0565, 0581, 0602, 0899.			<b>796109</b> Carburetor (Nikki) (Used After Code Date 09012400). Used on Type No(s). 0115, 0117, 0120, 0121, 0122, 0123, 0124, 0126, 0130, 0132, 0136, 0137, 0296, 0337, 0348, 0349, 0366, 0367, 0372, 0492, 0832, 1076.
<b>118A</b>	<b>790890</b>	Jet-Main (High Altitude) Used on Type No(s). 0110, 0140, 0141, 0142, 0143, 0146, 0147, 0148, 0149, 0150, 0153, 0155, 0156, 0203, 0237, 0238, 0241, 0242, 0244, 0770, 1462, 2143, 2147, 2148, 2770, 3202, 3462, 3602.			<b>699458</b> Jet-Main (High Altitude) (Used Before Code Date 08051400). Used on Type No(s). 0116, 0125, 0133, 0134, 0293, 0299, 0371, 0378, 0565, 0581, 0602, 0899.			<b>794572</b> Carburetor (Nikki) (Used Before Code Date 09012500). Used on Type No(s). 0115, 0117, 0120, 0121, 0122, 0123, 0124, 0126, 0130, 0132, 0136, 0137, 0296, 0337, 0348, 0349, 0366, 0367, 0372, 0492, 0832, 1076.
		----- Note -----			<b>790890</b> Jet-Main (High Altitude) (Used After Code Date 08042700). Used on Type No(s). 0131, 0135, 0202.			<b>796109</b> Carburetor (Nikki) (Used After Code Date 08051300). Used on Type No(s). 0116, 0125, 0133, 0134, 0293, 0299, 0371, 0378, 0565, 0581, 0602, 0899.
		<b>790890</b> Jet-Main (High Altitude) (Used After Code Date 09012400). Used on Type No(s). 0115, 0117, 0120, 0121, 0122, 0123, 0124, 0126, 0130, 0132, 0136, 0137, 0296, 0337, 0348, 0349, 0366, 0367, 0372, 0492, 0832, 1076.			<b>699458</b> Jet-Main (High Altitude) (Used Before Code Date 08042800). Used on Type No(s). 0131, 0135, 0202.	<b>121</b>	<b>697241</b>	Kit-Carburetor Overhaul (Walbro Carburetor)
					<b>699458</b> Jet-Main (High Altitude) (Used Before Code Date 08042800). Used on Type No(s). 0131, 0135, 0202.	<b>121A</b>	<b>796184</b>	Kit-Carburetor Overhaul (Nikki Carburetor)

Illustrations cover a range of engines. Parts shown without corresponding text may not be used on your specific engine. 5766-10 Assemblies include all parts shown in frames. 05/14/2012

REF. NO.	PART NO.	DESCRIPTION	REF. NO.	PART NO.	DESCRIPTION	REF. NO.	PART NO.	DESCRIPTION
		<b>794572</b> Carburetor (Nikki) (Used Before Code Date 08051400). Used on Type No(s). 0116, 0125, 0133, 0134, 0293, 0299, 0371, 0378, 0565, 0581, 0602, 0899.	<b>146</b>	<b>691639</b>	Key-Timing	<b>216</b>	<b>691840</b>	Link-Choke
		<b>796109</b> Carburetor (Nikki) (Used After Code Date 08042700). Used on Type No(s). 0131, 0135, 0202.	<b>186</b>	<b>794873</b>	Connector-Hose	<b>217</b>	<b>695409</b>	Spring-Choke Return
		<b>794572</b> Carburetor (Nikki) (Used Before Code Date 08042800). Used on Type No(s). 0131, 0135, 0202.	<b>186A</b>	<b>796532</b>	Connector-Hose	<b>222</b>	<b>694042</b>	Bracket-Control
<b>127</b>	<b>695005</b>	Plug-Welch (5/16" Diameter) (Walbro)	<b>187</b>	<b>791805</b>	Line-Fuel (Formed)(10-1/4 Inches) (Cut To Required Length)	<b>227</b>	<b>691374</b>	Lever-Governor Control
<b>127A</b>	<b>690727</b>	Plug-Welch (Nikki)	<b>187A</b>	<b>791806</b>	Line-Fuel (Formed)(21 Inches) (Cut To Required Length)	<b>232</b>	<b>691842</b>	Spring-Governor Link
<b>130</b>	<b>691750</b>	Valve-Throttle (Walbro)	<b>187D</b>	<b>791744</b>	Line-Fuel (Formed)(14 Inches) (Cut To Required Length)	<b>238</b>	<b>691843</b>	Cap-Valve
<b>130A</b>	<b>699500</b>	Valve-Throttle (Nikki)	<b>188</b>	<b>691693</b>	Screw (Control Bracket)	<b>240</b>	<b>394358S</b>	Filter-Fuel (White, 75 Microns) Used on Type No(s). 0110, 0116, 0125, 0133, 0134, 0135, 0148, 0155, 0202, 0203, 0293, 0299, 0371, 0378, 0565, 0581, 0602, 0770, 0899, 1076, 1462, 2148, 2770, 3202, 3462, 3602.
<b>131</b>	<b>790901</b>	Kit-Throttle Shaft (Walbro)	<b>192</b>	<b>691986</b>	Adjuster-Rocker Arm	<b>240A</b>	<b>691035</b>	Filter-Fuel (Includes Paper Element With A 40 Micron Rating) Used on Type No(s). 0115, 0117, 0120, 0121, 0122, 0123, 0124, 0126, 0130, 0131, 0132, 0136, 0137, 0140, 0141, 0142, 0143, 0146, 0147, 0149, 0150, 0153, 0156, 0237, 0238, 0241, 0242, 0244, 0296, 0337, 0348, 0349, 0366, 0367, 0372, 0492, 0832, 2143, 2147.
<b>131A</b>	<b>699501</b>	Kit-Throttle Shaft (Nikki)	<b>202</b>	<b>691841</b>	Link-Mechanical Governor			
<b>133</b>	<b>494381</b>	Float-Carburetor (Walbro)	<b>209</b>	<b>796260</b>	Spring-Governor			
<b>133A</b>	<b>694914</b>	Float-Carburetor (Nikki)			<b>----- Note -----</b>			
<b>135</b>	<b>698780</b>	Tube-Fuel Transfer (Gravity Feed Carburetor)			<b>792813</b> Spring-Governor Used on Type No(s). 0115.	<b>265</b>	<b>691024</b>	Clamp-Casing
		<b>----- Note -----</b>			<b>792602</b> Spring-Governor Used on Type No(s). 0137, 0150, 0153.	<b>267</b>	<b>794904</b>	Screw (Casing Clamp)
		<b>792022</b> Tube-Fuel Transfer (Pump Feed Carburetor)			<b>796261</b> Spring-Governor Used on Type No(s). 0126, 0130, 0134, 0140, 0143, 0148, 0149, 0241, 0242, 0244, 0372, 2148.	<b>268</b>	<b>691025</b>	Casing-Control Wire (Cut To Required Length)
<b>137</b>	<b>281165S</b>	Gasket-Float Bowl (Walbro)			<b>690480</b> Spring-Governor Used on Type No(s). 0120, 0121, 0349.	<b>269</b>	<b>691026</b>	Wire-Control (Cut To Required Length)
<b>137A</b>	<b>698781</b>	Gasket-Float Bowl (Nikki)			<b>260902</b> Spring-Governor Used on Type No(s). 0122, 0147, 2147.	<b>270</b>	<b>691027</b>	Nut (Control Wire Casing)
<b>141A</b>	<b>790902</b>	Kit-Choke Shaft			<b>690576</b> Spring-Governor Used on Type No(s). 0770, 2770.			
<b>141B</b>	<b>792777</b>	Kit-Choke Shaft						
<b>142</b>	<b>697140</b>	Nozzle-Carburetor (Standard)						

# 31P700

REF. NO.	PART NO.	DESCRIPTION	REF. NO.	PART NO.	DESCRIPTION	REF. NO.	PART NO.	DESCRIPTION
271	691028	Lever-Control	310	690323	Screw (Starter Motor)	404	691691	Washer (Governor Crank)
276	692255	Washer-Sealing (Walbro)			----- Note -----	415	794903	Plug (Sump)
276A	695410	Washer-Sealing (Nikki)			691263 Screw (Starter Motor)	415A	794129	Plug (Cover/Retainer)
300A	795998	Muffler			Used on Type No(s). 0123, 0131, 0132, 0141, 0142, 0146, 0237, 0238, 0832.			(Used After Code Date 07040800).
304	796416	Housing-Blower (Black-Compatible With Panel Style Filter)	311	497608	Brush Set	431	697122	Elbow-Intake
304E	797900	Housing-Blower (Black-Compatible With Canister Style Filter)	324	796308	Screen-Rotating (Used After Code Date 07040800).	431B	797901	Elbow-Intake Used on Type No(s). 0110, 0147, 0148, 0153, 0155, 0156, 0237, 0238, 0241, 0242, 0244, 0770, 1462, 2143, 2147, 2148, 2770, 3202, 3462, 3602.
		Used on Type No(s). 0110, 0147, 0148, 0153, 0155, 0156, 0237, 0238, 0241, 0242, 0244, 0770, 1462, 2143, 2147, 2148, 2770, 3202, 3462, 3602.	333	799650	Armature-Magneto			
			334	691061	Screw (Magneto Armature)			
			337	491055S	Plug-Spark ----- Note -----	445	797008	Filter-Air Cleaner Cartridge (Standard) (Panel Style)
305	697102	Screw (Blower Housing)			691043 Plug-Spark Used on Type No(s). 0122, 0125, 0133, 0134, 0137, 0143, 0148, 0153, 0155, 0202, 0296, 0299, 0337, 0348, 0366, 0371, 0378, 0565, 2143, 2148, 3202.			----- Note -----
305A	793376	Screw (Used On Non-Grommet Style Blower Housing)			792015 Plug-Spark Used on Type No(s). 0147, 0238, 0241, 0242, 0244, 0770, 2147, 2770.	445B	796031	Filter-Air Cleaner Cartridge (Canister Style) Used on Type No(s). 0110, 0147, 0148, 0153, 0155, 0156, 0237, 0238, 0241, 0242, 0244, 0770, 1462, 2143, 2147, 2148, 2770, 3202, 3462, 3602.
305B	795891	Screw (Blower Housing To Carburetor Elbow)	356B	697089	Wire-Stop			795115 Filter-Air Cleaner Cartridge (Premium) (Panel Style)
305C	799370	Screw (Used On Grommet Style Blower Housing)	358	796187	Gasket Set-Engine			
306	796006	Shield-Cylinder (Used After Code Date 08042700).	363	19203	Puller-Flywheel			
		----- Note -----	383	89838S	Wrench-Spark Plug			
		697107 Shield- Cylinder (Used Before Code Date 08042800).	385	694476	Screw (Fuel Pump)			
307	691693	Screw (Cylinder Shield)	385A	690297	Screw (Fuel Pump)	462	691261	Washer (Starter Cable)
309	693551	Motor-Starter ----- Note -----	387	697090	Pump-Fuel (Used Before Code Date 08082500).			
		693552 Motor-Starter Used on Type No(s). 0123, 0131, 0132, 0141, 0142, 0146, 0237, 0238, 0832.			----- Note -----			
			387A	808656	Pump-Fuel (Used After Code Date 08082400).			
					697090 Pump-Fuel Used on Type No(s). 0372, 0832.			

Illustrations cover a range of engines. Parts shown without corresponding text may not be used on your specific engine.  
5766-12 Assemblies include all parts shown in frames. 05/14/2012

REF. NO.	PART NO.	DESCRIPTION	REF. NO.	PART NO.	DESCRIPTION	REF. NO.	PART NO.	DESCRIPTION	
<b>474B</b>	<b>696459</b>	Alternator (Dual Circuit) Used on Type No(s). 0110, 0202, 0203, 0293, 0296, 0299, 0337, 0378, 0492, 0565, 0602, 0770, 1462, 3202, 3462, 3602.	<b>510</b>	<b>693699</b>	Drive-Starter	<b>584</b>	<b>794682</b>	Cover-Breather Passage	
			<b>512</b>	<b>796530</b>	Hose-Oil Drain			(Use With Liquid Sealant Reference 850)	
			<b>513</b>	<b>692024</b>	Clutch-Drive	<b>585</b>	<b>697109</b>	Gasket-Breather (Used Before Code Date 07071900). (After Date Code Use Liquid Sealant Reference 850)	
			<b>521</b>	<b>690581</b>	Shield-Cable	<b>601</b>	<b>791850</b>	Clamp-Hose (Green)	
			<b>523</b>	<b>699908</b>	Dipstick	<b>613</b>	<b>691416</b>	Screw (Muffler)	
			<b>524</b>	<b>691032</b>	Seal-Dipstick Tube	<b>613A</b>	<b>691678</b>	Screw (Muffler)	
			<b>525</b>	<b>697184</b>	Tube-Dipstick Used on Type No(s). 0110, 0116, 0125, 0133, 0134, 0135, 0148, 0155, 0202, 0203, 0293, 0299, 0371, 0378, 0565, 0581, 0602, 0770, 0899, 1462, 2148, 2770, 3202, 3462, 3602.		<b>614</b>	<b>691620</b>	Pin-Cotter
<b>474C</b>	<b>696457</b>	Alternator (5/9 Amp. Regulated Or Tri Circuit) Used on Type No(s). 0115, 0116, 0117, 0120, 0121, 0122, 0123, 0124, 0125, 0126, 0130, 0131, 0132, 0135, 0137, 0140, 0141, 0142, 0143, 0146, 0147, 0148, 0149, 0153, 0156, 0237, 0238, 0241, 0242, 0244, 0348, 0349, 0366, 0367, 0371, 0372, 0832, 0899, 1076, 2143, 2147, 2148.			----- Note ----- <b>697085</b> Tube-Dipstick Used on Type No(s). 0115, 0117, 0120, 0121, 0122, 0123, 0124, 0126, 0130, 0131, 0132, 0136, 0137, 0140, 0141, 0142, 0143, 0146, 0147, 0149, 0150, 0153, 0156, 0237, 0238, 0241, 0242, 0244, 0296, 0337, 0348, 0349, 0366, 0367, 0372, 0492, 0832, 1076, 2143, 2147.		<b>616</b>	<b>692012</b>	Crank-Governor
							<b>617</b>	<b>692138</b>	Seal-O Ring (Intake Manifold)
							<b>633</b>	<b>699813</b>	Seal-Choke/Throttle Shaft
<b>474D</b>	<b>696458</b>	Alternator (10-16 Amp. Circuit) Used on Type No(s). 0133, 0134, 0136, 0150.					<b>634A</b>	<b>690802</b>	Spring/Seal Assembly (Walbro)
<b>501A</b>	<b>794360</b>	Regulator (5/9 Amp.)					<b>634B</b>	<b>698779</b>	Spring/Seal Assembly (Nikki)
<b>501D</b>	<b>797375</b>	Regulator (10-16 Amp.)	<b>526A</b>	<b>697088</b>	Screw (Regulator)		<b>635</b>	<b>691909</b>	Boot-Spark Plug
<b>503</b>	<b>691532</b>	Strap-Starter	<b>526B</b>	<b>697348</b>	Screw (Regulator)		<b>643</b>	<b>698401</b>	Retainer-Air Filter
<b>505</b>	<b>691251</b>	Nut (Governor Control Lever)	<b>552</b>	<b>697144</b>	Bushing-Governor Crank		<b>654</b>	<b>690958</b>	Nut (Carburetor)
			<b>559</b>	<b>697561</b>	Screw (.375 Inches Remote Choke Stop)		<b>676</b>	<b>795036</b>	Deflector-Muffler (Side Out)
			<b>559A</b>	<b>693675</b>	Screw (.419 Inches Remote Choke Stop)		<b>676A</b>	<b>396903</b>	Deflector-Muffler (Direct Out)
			<b>562</b>	<b>691119</b>	Bolt (Governor Control Lever)		<b>677</b>	<b>690661</b>	Screw (Muffler Deflector)
			<b>563A</b>	<b>799359</b>	Screw (Debris Guard)		<b>684</b>	<b>697157</b>	Screw (Breather Assembly)
			<b>578</b>	<b>692306</b>	Wire Assembly		<b>691</b>	<b>692407</b>	Seal-Governor Shaft
			<b>579</b>	<b>691029</b>	Nut (Starter Cable)		<b>692</b>	<b>690572</b>	Spring-Detent
							<b>697</b>	<b>791680</b>	Screw (Drive Cap)
							<b>718</b>	<b>690959</b>	Pin-Locating
							<b>729</b>	<b>691335</b>	Clip-Wire
							<b>729A</b>	<b>691224</b>	Clip-Wire
							<b>729B</b>	<b>694123</b>	Clip-Wire
							<b>741</b>	<b>697128</b>	Gear-Timing
							<b>750</b>	<b>790832</b>	Screw (Oil Pump Cover)

*Illustrations cover a range of engines. Parts shown without corresponding text may not be used on your specific engine.*

# 31P700

REF. NO.	PART NO.	DESCRIPTION	REF. NO.	PART NO.	DESCRIPTION	REF. NO.	PART NO.	DESCRIPTION		
757	793242	Link-Counterweight	847	790442	Dipstick/Tube Assembly	878A	691955	Harness-Alternator (Tri Circuit)		
758	793763	Counterweight (Used After Code Date 05100200).			Used on Type No(s). 0110, 0116, 0125, 0133, 0134, 0135, 0148, 0155, 0202, 0203, 0293, 0299, 0371, 0378, 0565, 0581, 0602, 0770, 0899, 1462, 2148, 2770, 3202, 3462, 3602.	883	692236	Gasket-Exhaust		
		----- Note -----				914	691108	Screw (Rocker Cover)		
	795903	Counterweight (Used Before Code Date 05100300). Used on Type No(s). 0123, 0124, 0126, 0130, 0131, 0132, 0136. (Must Use Kit 795903, Includes Sump And Counterweight).				918	791851	Hose-Vacuum		
	795938	Counterweight (Used Before Code Date 05100300). (Must Use Kit 795938, Includes Sump And Counterweight).			----- Note -----	943	690589	Seal-O Ring (Oil Pump Cover)		
759	697392	Pin-Counterweight			790443	Dipstick/Tube Assembly	947	694393	Solenoid-Fuel (Walbro)	
773	796448	Retainer			Used on Type No(s). 0115, 0117, 0120, 0121, 0122, 0123, 0124, 0126, 0130, 0131, 0132, 0136, 0137, 0140, 0141, 0142, 0143, 0146, 0147, 0149, 0150, 0153, 0156, 0237, 0238, 0241, 0242, 0244, 0296, 0337, 0348, 0349, 0366, 0367, 0372, 0492, 0832, 1076, 2143, 2147.	947A	699915	Solenoid-Fuel (Nikki)		
783	693713	Gear-Pinion				949A	799358	Guard-Debris Screen		
789	698329	Harness-Wiring	850	100100	Sealant-Liquid (Rocker Cover Gasket and Breather Gasket) (Used After Code Date 07071800).	950	691657	Screw-Float Bowl		
789B	692037	Harness-Wiring				964	799159	Cap-Connector		
797	693167	Nut (Brush Retainer)				965	499613	Cover-Oil Pump		
801	691283	Cap-Drive				967	697015	Filter-Pre Cleaner		
802	691286	Cap-End				968	698403	Cover-Air Cleaner (Black-Compatible With Panel Filter) (Used After Code Date 08082400).		
823	698941	Screw (Muffler Adapter)						----- Note -----		
830	691095	Stud-Rocker Arm						699986	Cover-Air Cleaner (Black-Compatible With Panel Filter) (Used Before Code Date 08082500).	
842	691031	Seal-O Ring (Dipstick Tube)						699848	Cover-Air Cleaner (Red-Compatible With Panel Filter) (Used Before Code Date 08082500).	
			851	692424	Terminal-Spark Plug			699986	Cover-Air Cleaner (Black-Compatible With Panel Filter) Used on Type No(s). 0372, 0832.	
			864	796002	Adapter-Muffler (Length 2.25 Inches)			968B	797902	Cover-Air Cleaner (Black-Compatible With Canister Filter) Used on Type No(s). 0110, 0147, 0148, 0153, 0155, 0156, 0237, 0238, 0241, 0242, 0244, 0770, 1462, 2143, 2147, 2148, 2770, 3202, 3462, 3602.
			868	690968	Seal-Valve					
			877	393456	Wire/Connector- Alternator (Dual Circuit)					
			877B	393537	Wire/Connector- Alternator (5/9 Amp. Regulated Or Tri Circuit)					
			877C	399916	Wire/Connector- Alternator (10-16 Amp. Circuit)					
			877D	790544	Wire/Connector- Alternator					
			878	398661	Harness-Alternator (Dual Circuit)					

Illustrations cover a range of engines. Parts shown without corresponding text may not be used on your specific engine.  
5766-14 Assemblies include all parts shown in frames. 05/14/2012

# 31P700

REF. NO.	PART NO.	DESCRIPTION	REF. NO.	PART NO.	DESCRIPTION	REF. NO.	PART NO.	DESCRIPTION
975	495933	Bowl-Float (Walbro)	1027	492932S	Filter-Oil (Standard)	1090	691293	Retainer-Brush
975A	699502	Bowl-Float (Nikki)			----- <b>Note</b> -----	1091	691333	Cap-Limiter
987	691326	Seal-Throttle Shaft (Walbro)			795890 Filter-Oil (Premium)	1095	794152	Gasket Set-Valve
987A	698777	Seal-Throttle Shaft (Nikki)	1029	691751	Arm-Rocker	1119	691183	Screw (Alternator)
1005	796083	Fan-Flywheel (Used After Code Date 07040800).	1034	690822	Guide-Push Rod	1127	695407	Screw (Float Bowl)
1005A	796201	Fan-Flywheel (Used Before Code Date 07040900).	1036		Label-Emissions (Available From A Briggs & Stratton Authorized Dealer)	1139	796449	Washer
1005B		Fan-Flywheel (No Longer Available) (See Reference1005A For Service Flywheel Fan).	1040	698368	Plate-Trim Used on Type No(s). 0244.	1263	697124	Reed-Breather
1017	690770	Screen-Oil Pump	1040B	699852	Plate-Trim	1264	697104	Screw (Breather Reed)
1022	272475S	Gasket-Rocker Cover (Used Before Code Date 07091000). (After Date Code Use Liquid Sealant Reference 850)	1044	698139	Screw (Flywheel)	1266	691917	Seal-O Ring (Intake Elbow)
1023	797421	Cover-Rocker	1051	691265	Ring-Retaining	1266A	697123	Seal-O Ring (Intake Elbow)
1024A	794644	Pump-Oil	1054	280275	Tie-Cable	1267	697419	Latch-Blower Housing (Black)
1026	692003	Rod-Push (Intake) ----- <b>Note</b> ----- 692011 Rod-Push (Exhaust)	1058	276344	Manual-Operator's	1270	793243	Plug-AVS Counterweight
			1059	698516	Kit-Screw/Washer	1319	794467	Label-Warning
			1070	791680	Screw (Flywheel Fan) (Used Before Code Date 07040900).	1448	690260	Washer (Magneto Armature)
			1070A	690363	Screw (Flywheel Fan) (Used Before Code Date 08061000 and After Code Date 07040800).			

Illustrations cover a range of engines. Parts shown without corresponding text may not be used on your specific engine.  
5766-15 Assemblies include all parts shown in frames. 05/14/2012

Not for  
Reproduction

