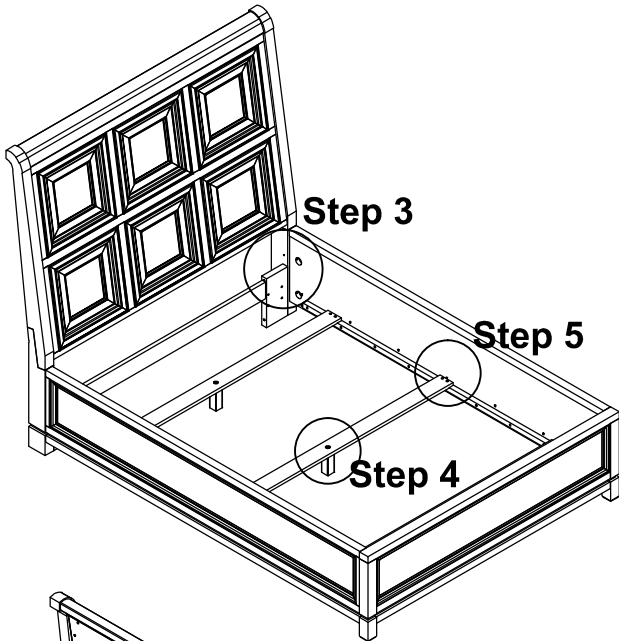


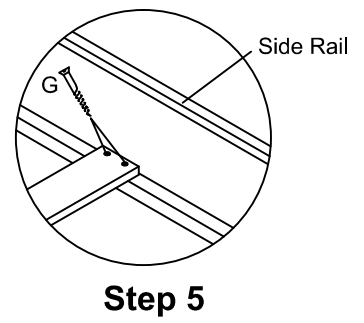
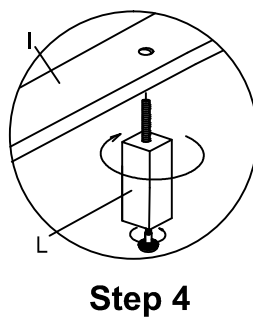
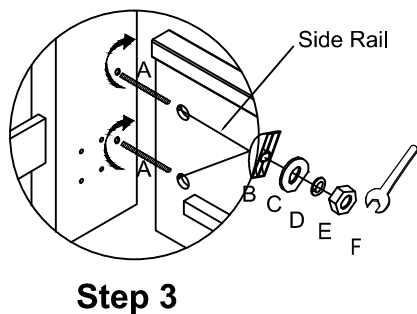
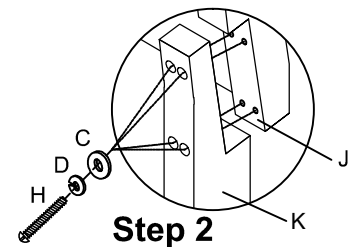
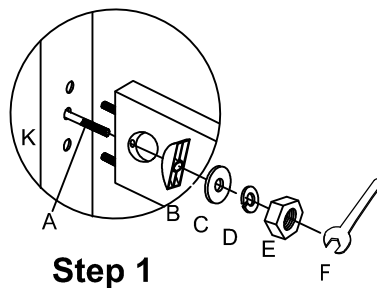
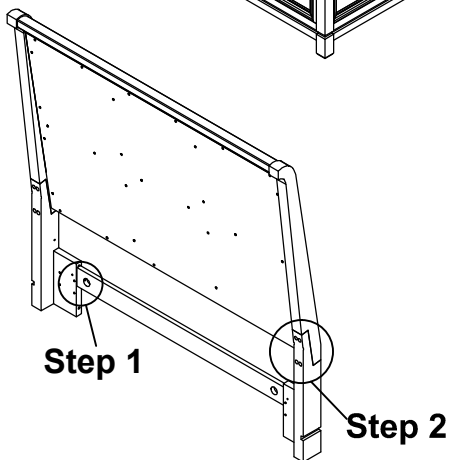
# ASSEMBLY INSTRUCTION

192155-2303/192156-2303HB & FB's with 192155-2303RS  
 5-0 & 6-6 PLATFORM SLEIGH BED HEADBOARD'S & FOOTBOARDS with 5-0/6-6 RAILS  
 192156-2303HB & FB with 192157-2303RS  
 6-6 PLATFORM SLEIGH BED HEADBOARD & FOOTBOARD with 6-0 PLATFORM SLEIGH BED RS

Thank you for purchasing this quality product. Be sure to check all packing material carefully for small parts, which may have come loose inside the carton during shipment. Identify and count all parts and compare with the Parts List below.



| NO. | Parts List            | Q'ty(5-0) | Q'ty(6-6) | Q'ty(6-0) |
|-----|-----------------------|-----------|-----------|-----------|
| A   | Bolt 5/16"x3-3/8"     | 10        | 10        | 10        |
| B   | Half Round Washer     | 10        | 10        | 10        |
| C   | Flat Washer           | 14        | 14        | 14        |
| D   | Lock Washer           | 14        | 14        | 14        |
| E   | Nut                   | 10        | 10        | 10        |
| F   | Wrench                | 1         | 1         | 1         |
| G   | Wood Screw            | 12        | 12        | 12        |
| H   | Bolt 5/16"x1-3/4"     | 8         | 8         | 8         |
| I   | Mattress Support Slat | 3         | 3         | 3         |
| J   | Headboard             | 1         | 1         | 1         |
| K   | Headboard Post        | 2         | 2         | 2         |
| L   | Slat Support          | 3         | 6         | 6         |



It is suggested that two people work together for this assembly process.  
 Cleaning instructions: Clean the surface with a soft, damp cloth.