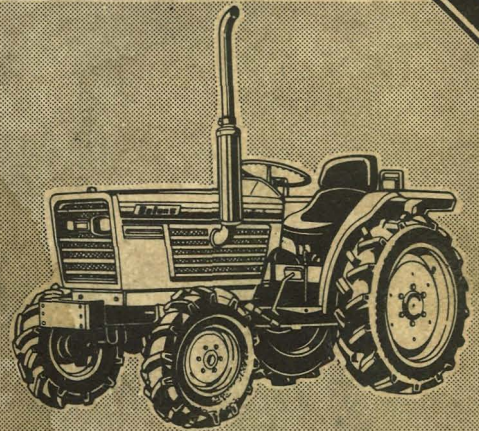
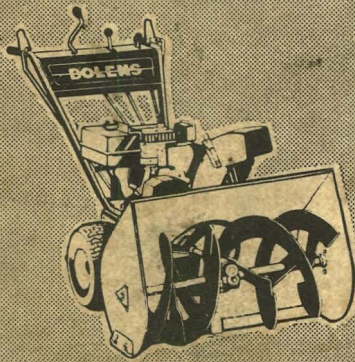


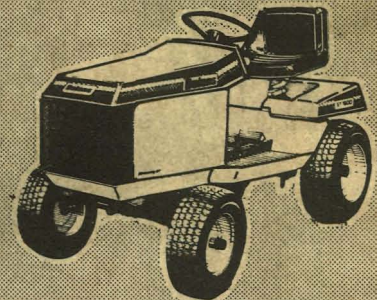
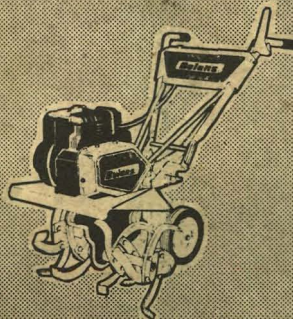
# **Bolens**<sup>®</sup>

## Equipment Seminar

## 1987 Service



Quality Dealer Service, Builds Customer Satisfaction



BrentChalmers.com

FORM 4083-1





# TABLE OF CONTENTS

## WALKING MOWERS

Walking Mower Models and Specifications .....	3
Mower Attachment Interchangeability .....	7
Mulching Mower Gear Case Removal .....	8
Combination Mower Gear Case Removal .....	8 & 9
Battery Information - Gates .....	10
Battery Information - G.E. Ni-Cad .....	10
Safety Specifications for Power Mowers .....	11

## WALKING TILLERS

Models and Specifications .....	12
Worm Shaft Installation .....	14

## WALKING SNOW THROWERS

Models and Specifications .....	15
Attachment Interchangeability .....	17
Auger Self Aligning Bearing Replacement .....	18
Drive Plate Bearing Replacement .....	18

## RIDING MOWERS AND FRAME STEER TRACTORS

Riding Mower and Frame Steer Models and Specifications .....	19
Riding Mower Attachment Interchangeability .....	21
Frame Steer Attachment Interchangeability .....	22
Riding Mower Steering Adjustment .....	23
Riding Mower Idler Installation for Drive Belt .....	24

## TRACTORS

Models and Specifications .....	25
---------------------------------	----

## TRACTOR ATTACHMENT INTERCHANGEABILITY

Small Frame (Stamped) .....	32
Small Frame .....	33
Lawn Keeper & Estate Keeper .....	33
Tube Frame (Tubular) .....	34
Medium Frame Series .....	40
Lawn & Yard Tractors .....	44
Suburban Tractors .....	44
5000 Tractor Series .....	45
Q & 1966 Tractor Series .....	46
Large Frame Series .....	48
Diesel Tractors	
1300, 1300F, 1500 & 1500F .....	50
1502, 1504, 1704, & 1704H .....	52
1902, 1904, 1910, 2220 & 2220F .....	54
2102, 2104 .....	56
2702 & 2704 .....	57
2902 & 2904 .....	58

## **MISCELLANEOUS INFORMATION**

Three Point Hitch Dimensions .....	59
B & S Engine Service Replacements .....	60
Tecumseh Engine Service Replacements .....	62
Kohler/Onan Engine Service Replacements .....	63
Delco-Remy Generator Interchangeability .....	64
Transmission, Hydraulic & Engine Oil Cross Reference .....	65
Eaton, Model 11 Breakdown .....	66
Recommended Fluids for Hydrostatics .....	68
Tiller Gear Case Assembly Instructions .....	69
PTO Quick-Latch Universal Locking Collar .....	71
Belt Replacement Mulching Mowers and Riders .....	72
Belt Diagrams and V-Belt Information for Rotary Mowers .....	73
Mower Spindle Information .....	78
Mower Gear Case Assembly and Disassembly .....	82
Tire, Chain and Tube Availability .....	83
Walk Behind Mower Wheels and Tires .....	84
Service Bulletins .....	85
Product Bulletins .....	89
Parts Bulletins .....	89
Diesel Bulletins .....	90
News Letters .....	91
Standard Metric Conversion Chart .....	92
Torque Values For Cap Screws .....	93
Miscellaneous Part Numbers (Gas) .....	94
Miscellaneous Part Numbers (Diesel) .....	95

# BOLENS WALKING MOWER MODELS AND SPECIFICATIONS

MODEL	ENG. MODEL & TYPE	HP	CUT	SP	R	P	MODEL	ENG. MODEL & TYPE	HP	CUT	SP	R	2C	P	OAM
1951 & 1952							6018	Elec. Westinghouse 1179684A		18"				X	
416	Elec. Delco A-8364		16"			X	6118	PP V47-616-08	2.0	18"				X	
420C	Cl. VS700	2.0	20"			X	6218	B & S 6BHS-900199	1.75	18"				X	
1953							6219	B & S 6BHS-900265	1.75	19"				X	
410B	Bolens 375	2.5	20"			X	6221	B & S 6BH-900971	2.25	21"				X	
410C	Cl. VS700	2.0	20"			X	6222	B & S 8BH-904253	2.75	22"				X	
416	Elec. Delco A-8364		16"			X	6319	B & S 6BHS-900281	1.75	19"	X				
420B	Bolens 375	2.5	20"			X	6321	Cl. VS3100	3.0	21"	X				
420C	Cl. VS700	2.0	20"			X	6451	B & S 6S	1.6	21"	X	X			
433A	Cl. 350	1.1	18"	X	X		1959								
438B	B & S 5S-700050	1.1	18"	X	X		7122	La. V-22-2-223	2.5	22"				X	
441B	B & S 6S	1.6	21"	X	X		7219	B & S 61502	2.0	19"				X	
1954							7222	B & S 81502-909552	2.5	22"				X	
360	Elec. Westinghouse 1179684A		18"			X	7224	B & S 81502-909553	2.5	24"				X	
361E	PP V-47	1.5	18"			X	7324	B & S 81705-944574	3.0	24"	X				
362E	PP AV36-F2016	1.5	18"			X	8319	B & S 81502-909616	2.5	19"	X				
412B	B & S 6BH-900537	2.0	21"			X	1960								
420B	Bolens 375	2.5	20"			X	524	B & S	3.0	24"				X	
421A	Bolens 375BA	2.5	20"	X			1019	PP V-47	2.2	19"				X	
433C	Cl. A301	1.1	18"	X	X		2019	B & S 61502	2.0	19"				X	
438B	B & S 5S-700050	1.1	18"	X	X		8122	B & S 81502-909616	2.5	22"				X	
441B	B & S 6S	1.6	21"	X	X		8219	B & S 61506-941591	2.0	19"				X	
1955							8222	B & S 81906-945565	3.0	22"				X	
360	Elec. Westinghouse 1179684A		18"			X	8321	B & S 81706-944713	3.0	22"				X	
361E	PP V-47	2.0	18"			X	8322	La. LV35A-1007	3.5	22"				X	
363B	B & S 6BHS-900199	2.0	18"			X	8324	B & S 81906-945575	3.0	24"	X				
412B	B & S 6Bh-900537	2.0	21"			X	9194	B & S	2.0	19"				X	
420B	Bolens 375B	2.5	20"			X	9196	PP	2.2	19"	X				
421A	Bolens 375BA	2.5	20"	X			1961								
433C	Cl. A301	1.1	18"	X	X		1720	B & S 81506-909674	2.5	22"				X	
448B	B & S 5S-700050	1.1	18"	X	X		1789	B & S 81502	2.0	19"				X	
451B	B & S 6S	1.6	18"	X	X		2024	B & S 81902	3.0	24"				X	
1956							7019	B & S 61502	2.0	19"				X	
370	El. Delco A2021-B53		18"			X	7022	B & S 61502	2.5	22"				X	
371C	Cl. VS200-1189	1.75	18"			X	8323	B & S 80902-945291	3.0	22"				X	
372B	B & S 6BHS-900199	2.0	18"			X	8325	La. LV35-40035A	3.5	22"	X				X
461B	B & S 6S	2.2	21"			X	9214	La.	3.0	21"				X	
421A	Bolens 375BA	2.2	21"			X	1962 & 1963								
462C	Cl. VS100-1281	2.5	20"	X			8323	B & S 80902-945291	3.0	22"				X	X
433C	Cl. A301	1.1	18"	X	X		8325	La. LV35-40035A	3.5	22"	X				X
448B	B & S 5S-700050	1.1	18"	X	X		1964								
451B	B & S 6S	1.1	18"	X	X		8333-01	B & S 82902-015601	3.0	22"				X	X
1957							8335-01	La. LV35-40035A	3.5	22"	X				X
370	El. Delco A2021-B53		18"			X	1965								
371	PP C47-610-07	2.0	18"			X	8333-02	B & S 82902-015601	3.0	22"			X	X	
371C	Cl. VS200-1189	1.75	18"			X	8335-01	La. LV35-40035A	3.5	22"	X				X
373S	B & S 6BHS-900199	2.0	18"			X	1966								
463S	B & S 6BH-900873	2.25	21"			X	8334-01	La. LV35-40158E	3.5	22"				X	X
421	Bolens 375BA	2.5	20"	X			8335-02	La. LV35-40159E	3.5	22"	X			X	X
462	Cl. VS100-281	2.5	20"	X			1967								
464S	Cl. VS100-1382	3.0	21"	X			8336-01	La. LAV35-40158F	3.5	22"				X	X
448	B & S 5S	1.1	18"	X	X		8337-01	La. LAV35-40159H	3.5	22"	X				X
451	B & S 6BS-901098	1.6	21"	X	X		1968								
433	Cl. 350	1.1	18"	X	X		8337-03	La. LAV35-40159H	3.5	22"	X				X
1958							8338-01	La. AV600-641-05	3.5	22"			X	X	X
192	PP	2.5	19"			X									
194	Cl.	2.5	19"			X									
214	Bolens	2.5	21"			X									
463S	B & S 6BH-900873	2.25	21"			X									
1925	PP	2.5	19"			X									

Key: Briggs & Stratton      SP - Self Propelled  
 PP - Power Products      R - Reel Mower  
 Tec. - Tecumseh            2C - 2 Cycle  
 La. - Lauson                OAM - Orbit Aire Mulcher  
 CL. - Clinton                P - Push

## BOLENS WALKING MOWER MODELS AND SPECIFICATIONS (CON'T)

MODEL	ENG. MODEL & TYPE	HP	IN. CUT	PUSH	SELF PROP.	ELEC. START	MULCH MOWER	REAR BAGGER	2 CYCLE
<b>1969</b>									
8318-01	B & S 92908-0850-01	3.5	18	X			X		
8337-03	La. LAV35-40159H	3.5	22		X		X		
8338-01	Tec. AV600-641-05	3.5	22	X			X		X
8339-01	Tec. LAV35-40491H	3.5	22	X			X		
<b>1970</b>									
8318-01	B & S 92908-0850-01	3.5	18	X			X		
8340-01	Tec. LAV35-40491H	3.5	22	X			X		
8341-01	Tec. LAV35-40510H	3.5	22		X		X		
8342-01	Tec. LAV35-40507H	3.5	22		X	X	X		
8343-01	Tec. LAV40-50263B	4.0	22		X		X		
8344-01	Tec. LAV40-50264B	4.0	22		X	X	X		
<b>1971</b>									
8318-01	B & S 92908-0850-01	3.5	18	X			X		
8340-02	Tec. LAV35RM-40491H	3.5	22	X			X		
8341-03	Tec. LAV35RM-40510H	3.5	22		X		X		
8342-03	Tec. LAV35RM-40159H	3.5	22		X	X	X		
8343-02	Tec. LAV40IA-50263B	4.0	22		X		X		
8344-02	Tec. LAV40IA-50264B	4.0	22		X	X	X		
<b>1972</b>									
8418-01	Tec. LAV35-40667K	3.5	18	X				X	
8440-01	Tec. LAV35-40668K	3.5	22	X				X	
8444-01	Tec. LAV40-50298C	4.0	22		X	OPT.		X	
<b>1973</b>									
8418-02	Tec. LAV35RM-40667K	3.5	18	X				X	
8440-02	Tec. LAV35RM-40668K	3.5	22		X			X	
8444-02	Tec. LAV40RM-50298C	4.0	22		X	OPT.		X	
8620-01	Tec. LAV40RM	4.0	22	X				X	
<b>1974</b>									
8518-01	Tec. LAV35RM-40667K	3.5	18	X				X	
8535-01	Tec. LAV35RM-40668K	3.5	22	X				X	
8544-01	Tec. LAV40RM-50348C	4.0	22		X			X	
8545-01	Tec. LAV40RM-50349C	4.0	22		X	X		X	
9544-01	B & S 110988-0293-01	4.0	22		X			X	
<b>1975</b>									
7432-01	Tec. AV520-670-81	3.0	18	X				INDUST.	X
7444-01	Tec. LAV40IA-50365D	4.0	18	X				INDUST.	
7454-01	Tec. LAV50IA-62036	5.0	22	X				INDUST.	
8518-02	Tec. LAV35RM-40667K	3.5	18	X				X	
8535-02	Tec. LAV35RM-40668K	3.5	22	X				X	
8544-02	Tec. LAV40RM-50348C	4.0	22		X			X	
8545-02	Tec. LAV40RM-50349C	4.0	22		X	X		X	
9535-02	B & S 92908-1478-01	3.5	22	X				X	
9544-02	B & S 110988-0293-01	4.0	22		X			X	
9545-02	B & S 110985-0294-01	4.0	22		X	X		X	
<b>1976</b>									
7432-01	Tec. AV520-670-81	3.0	18	X				INDUST.	X
7444-01	Tec. LAV40IA-50365E	4.0	18	X				INDUST.	
7454-01	Tec. LAV50IA-62036	5.0	22	X				INDUST.	
8518-02	Tec. LAV35RM-40667K	3.5	18	X				X	
8535-02	Tec. LAV35RM-40668K	3.5	22	X				X	
8544-02	Tec. LAV40RM-50348C	4.0	22		X			X	
8545-02	Tec. LAV40RM-50349C	4.0	22		X	X		X	
8554-01	Tec. LAV50RM-62045	5.0	22		X			X	
8555-01	Tec. LAV50RM-62046	5.0	22		X	X		X	
9535-02	B & S 92908-1478-01	3.5	22	X				X	
9544-02	B & S 110988-0293-01	4.0	22		X			X	
9545-02	B & S 110985-0294-01	4.0	22		X	X		X	
9635-01	B & S 92908-1478-01	3.5	22	X				X	
9644-01	B & S 110988-0324-01	4.0	22		X			X	
9645-01	B & S 110985-0325-01	4.0	22		X	X		X	
<b>1977</b>									
7444-01	Tec. LAV40IA-50365E	4.0	18	X				INDUST.	
7454-02	Tec. LAV50IA-62056	5.0	22	X				INDUST.	
8532-01	Tec. AV520-670-81B	3.0	18	X				INDUST.	
8554-01	Tec. LAV50RM-62045	5.0	22		X			X	X
8555-02	Tec. LAV50RM-62046	5.0	22		X	X		X	

## BOLENS WALKING MOWER MODELS AND SPECIFICATIONS (CON'T)

MODEL	ENG. MODEL & TYPE	HP	IN. CUT	PUSH	SELF PROP.	ELEC. START	MULCH MOWER	REAR BAGGER	2 CYCLE	Solid State Ign.
<b>1977</b>										
8618-01	B & S 921908-0850-01	3.5	18	X			X			
8635-01	B & S 92908-1709-01	3.5	22	X			X			
8644-01	B & S 110988-0324-01	4.0	22		X		X			
<b>1978</b>										
6518-01	Tec. LAV35RM-40667K	3.5	18	X			X			
6544-01	Tec. LAV40RM-50348C	4.0	22		X		X			
7454-02	Tec. LAV501A-62056C	5.0	22	X			INDUST.			
8532-01	Tec. AV 520-67081B	3.0	18	X					X	
8554-01	Tec. LAV50RM-62045B	5.0	22		X		X			
8555-02	Tec. LAV50RM-62046B	5.0	22		X	X	X			
8618-01	B & S 92908-0850-03	3.5	18	X			X			
8621-01	B & S 92908-0850-03	3.5	20	X			X			
8635-01	B & S 92908-1709-01	3.5	22	X			X			
8644-01	B & S 110988-0324-01	4.0	22		X		X			
8660-01	B & S 92980-1709-01	3.5	21	X				X		
<b>1979</b>										
8554-01	Tec. LAV50-62045B	5.0	22		X		X			
8555-01	Tec. LAV50-62046B	5.0	22		X	X	X			
8618-02	B & S 92908-0850-04	3.5	18	X			X			
8621-02	B & S 92908-0942-02	3.5	20	X			X			
8635-01	B & S 92908-1709-01	3.5	22	X			X			
8635-02/03	B & S 92908-1709-02	3.5	22	X			X			
8644-02/03	B & S 110988-0324-03	4.0	22		X		X			
8645-01	B & S 110985-0503-01	4.0	22		X	X	X			
8648-01	B & S 110988-0324-03	4.0	22		X		X			
8660-01	B & S 92908-1924-02	3.5	21	X				X		
8661-01	B & S 110988-0461-01	4.0	21		X			X		
8668-01	B & S 110985-0460-01	4.0	21		X	X		X		
<b>1980</b>										
8548-01	Tec. TVS105-53031B	4.0	22		X		X			X
8554-02/03	Tec. TVS120-63001A	5.0	22		X		X			X
8555-03/04	Tec. TVS120-63003A	5.0	22		X	X	X			X
8618-02/03	B & S 92908-0850-04	3.5	18	X			X			
8621-02/03	B & S 92908-0942-02	3.5	20	X			X			
8638-01	B & S 92908-1709-02	3.5	22	X			X			
8648-01	B & S 110988-0324-03	4.0	22		X		X			
8649-01	B & S 110985-0503-01	4.0	22		X	X	X			
8660-01	B & S 92908-1924-02	3.5	21	X				X		
8661-01	B & S 110988-0461-01	4.0	21		X			X		
8668-01	B & S 110985-0460-01	4.0	21		X	X		X		
<b>1981</b>										
8548-01	Tec. TVS105-53031B	4.0	22		X		X			X
8554-03	Tec. TVS120-63003A	5.0	22		X		X			X
8555-04	Tec. TVS120-63003A	5.0	22		X	X	X			X
8618-03	B & S 92908-0850-04	3.5	18	X			X			
8621-04	B & S 92908-0942-02	3.5	20	X			X			
8638-01	B & S 92908-1709-02	3.5	22	X			X			
8648-02	B & S 110988-0324-03	4.0	22		X		X			
8649-01	B & S 110985-0442-01	4.0	22		X	X	X			
<b>1982</b>										
8555-05	Tec. TVS120-63025C	5.0	22		X	X	X			ON BOARD CHARGING
8622-01	B & S 93502-0356-01	3.5	20	X			X			
8642-01	B & S 110988-0546-01	4.0	22		X		X			
8648-03	B & S 110988-0502-01	4.0	22		X		X			
								Combination	Compliance	
<b>1983</b>										
8352-01	B & S 92902-3175-01	3.5	21	X				X	X	
8362-01	B & S 110902-3176-01	4.0	21		X			X	X	
8372-01	Tec. TVS120-63031D	5.0	21		X	X		X	X	
8556-01	Tec. TVS120-63032D	5.0	22		X	X	X	X	X	
8610-01	B & S 92902-3178-01	3.5	20	X				X	X	
8623-01	B & S 92902-3178-01	3.5	20	X				X	X	
8643-01	B & S 110982-3194-01	4.0	22		X		X	X	X	

## BOLENS WALKING MOWER MODELS AND SPECIFICATIONS (CONT'D)

Model	Engine Model & Type	HP	In. Cut	Push	Self Prop.	Elec. Start	Mulch Mower	Combination	Compliance	Rear Bag
<b>1984</b>										
8352-02	B & S 92902-3175-01	3.5	21	X				X	X	
8362-02	B & S 110902-3176-01	4.0	21		X			X	X	
8372-02	Tec. TVS120-63031D	5.0	21		X	X		X	X	
8521-01	Tec. TVS90-43276D	3.5	20	X			X		X	
8610-02	B & S 92902-3178-01	3.5	20	X					X	
8623-02	B & S 92902-3178-01	3.5	20	X			X		X	
8639-01	B & S 92902-3235-01	3.5	22	X			X		X	
8643-02	B & S 110982-3194-01	4.0	22		X		X		X	
<b>1985</b>										
8118-01	B & S 92902-3248	3.5	18	X						X
8352-03	B & S 92902-3261	3.5	21	X				X	X	
8362-04	B & S 110702-3191	4.0	21		X			X	X	
8364-01	B & S 110708-0170	4.0	21		X			X	X	
8372-04	Tec. TVS120-63056D	5.0	21		X	X		X	X	
8521-02	Tec. TVS90-43302D	3.5	20	X			X		X	
8610-03	B & S 92902-3262	3.5	20	X					X	
8623-02	B & S 92902-3178	3.5	20	X			X		X	
8639-01	B & S 92902-3235	3.5	22	X			X		X	
8643-03	B & S 110782-3192	4.0	22		X		X		X	
<b>1986</b>										
8118-01	B & S 92902-3248	3.5	18	X						X
8362-05	B & S 110702-3191	4.0	21		X			X	X	
8364-02	B & S 110708-0170	4.0	21		X			X	X	
8374-01	B & S 110707-3099	4.0	21		X	X		X	X	
8610-01	B & S 92902-3178	3.5	20	X					X	
8623-03	B & S 90702-3065	3.5	20	X			X		X	
8643-04	B & S 110782-3192	4.0	22		X		X		X	
8647-01	B & S 110787-3107	4.0	22		X	X	X		X	
<b>1987</b>										
8118-01	B & S 92902-3248	3.5	18	X						X
8610-03	B & S 92902-3262	3.5	20	X					X	
8623-03	B & S 90702-3065	3.5	20	X			X		X	
8643-04	B & S 110782-3192	4.0	22		X		X		X	
8647-01	B & S 110787-3107	4.0	22		X	X	X		X	
9052-01	B & S 91702	3.5	21	X				X	X	
9062-01/02	B & S 110702-3191	4.0	21		X			X	X	
9064-01/02	B & S 110708-0170	4.0	21		X			X	X	
9074-01/02	B & S 110707-3099	4.0	21		X	X	X		X	



## MULCHING MOWER ATTACHMENT INTERCHANGEABILITY

Model No.	Accessory No.	Description	7454	8340	8342	8440	8444	8535	6544	8556
				8341	8343			8544	8548	
				8344				8545	8554	
6827		Grass Bag .....		X	X	X	X			
6833		Chute & Bag .....		X	X	X	X			
6835		Bag Adapter Kit .....		X	X	X	X			
6836		Chute & Support Arm .....	X			X	X		X	X
6837		Grass Bag Only .....	X			X	X	X	X	X
6838	1731985 *	Leaf Bag Only .....	X			X	X	X	X	X
6839		Electric Start Kit .....					X			
6863		Grass Bag Kit .....	X			X	X	X		
6880	1731425	Grass Bag Kit (use 6882) .....							X	
6881	1731987	Leaf Bag Kit (use with 6880, 6882, and 6883) .....	X			X	X	X	X	X
6882	1732191	Grass Bag Kit (2 Piece Handle) ...							X	X
6883	1733763	Grass Bag Kit (1 Piece Handle) ...	X			X	X	X	X	X
6887	1739685	Side Leaf Bag Kit (use 6881) .....						X	X	X
6890	1740090	Side Discharge Chute .....				X	X	X	X	X
6891	1740095	Rear Bagger Kit .....							X	X
6891	1743695	Rear Bagger Kit .....							X	X

\* Needs: 1 - 1722742 Bag Hanger  
 1 - 1722743 Bag Hanger Ext.  
 1 - 1100346 Cotter Pin

Model No.	Accessory No.	Description	8610	8635	8647	8639	8648	8352	9052
				8638	8642		8649	8362	9062
				8643			8372	9064	
				8644			8364	9074	
6810	1746634	Side Grass Bag Kit .....	X						
6881	1731987	Leaf Bag Kit (use with 6880, 6882 and 6883) .....		X	X	X			
6882	1732191	Grass Bag Kit (2 Piece Handle) ...		X	X	X			
6887	1739685	Side Leaf Bag Kit .....		X	X	X			
6890	1740090	Side Discharge Chute .....		X	X	X			
6891	1740095	Rear Bagger Kit .....		X	X	X			
6891	1743695	Rear Bagger Kit .....		X	X	X			
6908		Thatch Eliminator .....					X	X	
6909		Plastic Bags f/6908 (2 Bu) .....					X	X	
6911		Side Discharge Kit .....					X	X	

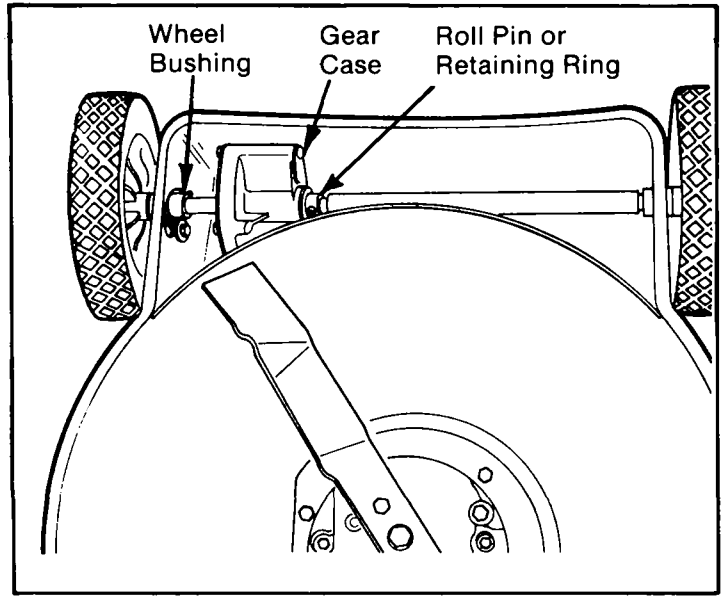
## MULCHING MOWER GEAR CASE REMOVAL

### DISASSEMBLY

1. Remove belt guard over drive belt.
2. Remove drive belt from engine.
3. Remove front wheels from axle.
4. Slide the two front axle bushings off.
5. Remove roll pin on newer models, or a retaining ring on older models from the front axle.
6. Axle can now be removed.

**Note** - Due to the age of your unit, it may be necessary to force the axle through the gear case.

7. Before assembling gear case to mower, clean front axle.

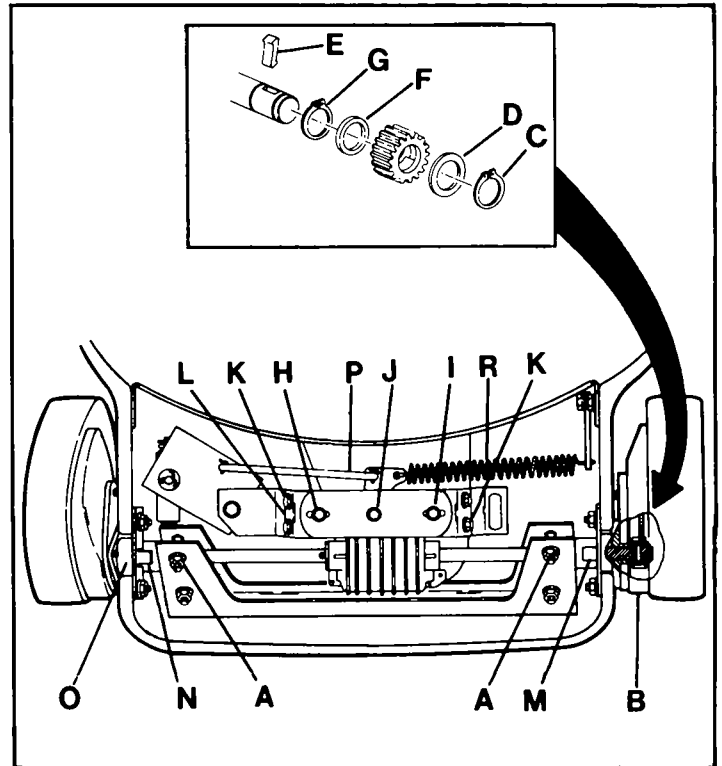


## COMBINATION ELIMINATOR MOWER GEAR CASE REMOVAL

(Serial Numbers 0100101 thru 0199999)

### DISASSEMBLY

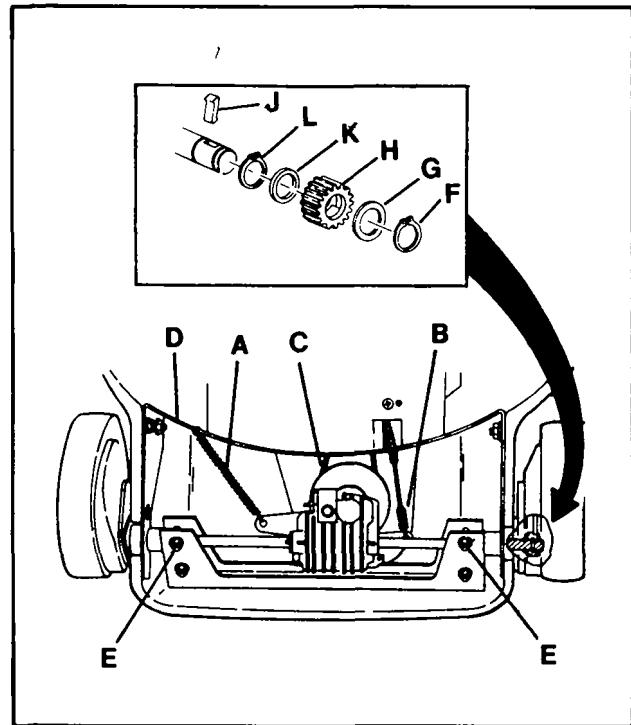
1. Drain oil and gas.
2. Remove battery, if equipped, and rear belt cover.
3. Tip unit upside down on a flat surface.
4. Remove carriage bolts and nuts (A) from outside holes of axle channel.
5. Loosen the two rear carriage bolts of axle channel.
6. Remove both rear wheels and gear drive covers.
7. Disconnect front to rear leveling arm at rear wheel.
8. Remove retaining ring (C), flat washer (D), drive gear, gear dog (E), large washer (F) and retaining ring (G).
9. Remove screw and nut (H) on centering bracket for gear case. Loosen screw (I). Lift arm up and swing to the side.
10. Remove screw (J) in center of case.
11. Remove four screws (K) and remove U-bracket (L).
12. Remove axle bracket (M) and loosen axle bracket (N).
13. Remove two axle bearings (O).
14. Disconnect control rod (P) from shifter rod.
15. Pull up on L.H. side of axle so sheave clears hole in deck. Slide transaxle to the right side and remove spring (R).
16. Remove transaxle.



## ELIMINATOR MOWER GEAR CASE REMOVAL

(Serial Numbers 0200101 and later)

1. Drain oil and gas.
2. Remove rear belt cover on top of mower.
3. Tip unit upside down on a flat surface.
4. Remove both rear wheel shoulder bolts, wheels and covers.
5. Remove gear case spring (A) to baffle.
6. Remove gear case spring (B) to cable.
7. Remove V-belt (C) from sheave.
8. Remove rear baffle (D), (4) screws and nuts.
9. Disassemble gear case mounting bracket from top side of mower base by removing the 1/4" screw and nut.
10. Remove carriage bolts and nuts (E) from outside holes of axle channel.
11. Disconnect front to rear leveling arm at rear wheel.
12. Slide out gear case.
13. Disassemble drive gears by removing retaining ring (F), flat washer (G), drive gear (H), gear dog (J), large washer (K) and retaining ring (L).



## Blade Brake Clutch Removal Instructions – Model 8364

1. Disconnect return spring and control cable on engagement arm of clutch.
2. Remove (3) nuts securing brake plate to mower base
3. Remove blade, (2) 5/16" bolts and spacer
4. Remove center hex head bolt, lock washer and flat washer, that secures BBC to engine crankshaft
5. Obtain a 5/8"-11 cap screw. Turn into threaded portion of BBC fly-wheel and push BBC off of engine crankshaft.

### ALTERNATIVE METHOD IF 5/8-11 THREADS STRIP OUT.

1. Disconnect return spring control cable on engagement arm of clutch.
2. Remove (3) nuts securing brake plate to mower base.
3. Remove blade, (2) 5/16" bolts and spacer plate.
4. Remove center hex head bolt, lock washer and flat washer that secures BBC to engine crankshaft.
5. Obtain harmonic balance or bolt type puller, (2) 5/16" x 2-1/2" bolts, and (2) 5/16" jam nuts.
6. Reinstall center hex head capscrew without washers.
7. Reinstall blade with longer puller bolts & jam nuts (fig. 1).

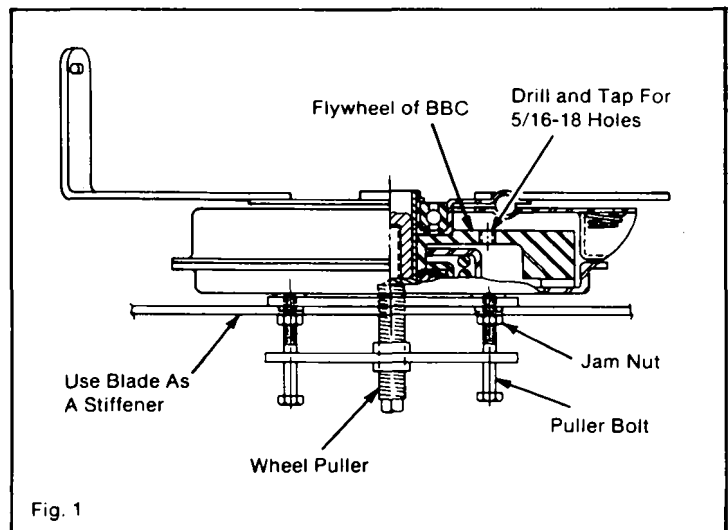


Fig. 1

8. Use puller to remove outside half of BBC.
9. Drill and tap 5/16" threads into flywheel half of BBC unit, still on mower (Fig. 1).
10. Secure puller to newly tapped holes, pull the rest of the BBC unit off of engine crankshaft.

**NOTE: Before reinstalling BBC units, apply NEVER-SEEZ to engine crankshaft.**

## GATES BATTERY

**CAUTION:** Because of the low internal impedance of the Gates Battery, high currents are available at the terminals if shorted. The resultant heat can cause severe burns.

Before storing, the battery should be charged. A fully charged battery (13 volts) can be stored up to a year without recharging.

During storage, the battery should not be allowed to self discharge below 10.8 volts. If the open circuit voltage is 10.8 to 14 volts, the battery is good, lower voltage may indicate a defective cell within the battery.

Chargers rated at 12 volts/100ma and 17.4 volts/100ma will keep the Gates Battery fully charged. The 17 volt charger will require approximately 20 hours for a fully discharged battery and the 12 volt charger approximately 30 hours.

---

## TROUBLESHOOTING G.E. NI-CAD BATTERY

Use volt meter to check battery. If meter registers 14 to 17 volts, the battery is good. If battery voltage is less than 14 volts, recharge appropriate length of time using chart listed below.

<u>Charger Rating (Shown on Back of Charger)</u>	<u>Minimum Length of Charge Time</u>
7.5 DCV	72 Hrs.
12 DCV	48 Hrs.
17.4 DCV	24 - 48 Hrs.

After charging for appropriate length of time recheck battery voltage with volt meter; voltage should be 14 to 17 volts. Recheck voltage again in two hours (approximately). If voltage has dropped below 14 volts, battery may not be able to hold a charge and may be considered faulty. Before battery replacement is made insure that the charger is operating properly.

---

## BATTERY CHARGERS

The chargers used on our mowers are rated under load. For instance, our chargers are rated at 7.5 volts at 100 ma, 12 volts at 100 ma, or 17.4 volts 100 ma.

As the battery charges, the battery resistance increases. Available charger current at the higher resistance levels is sufficient to charge the battery.

The level of charger voltage cannot be measured accurately using many meters because of the internal meter resistance. If the voltage from the charger is 7.5 volts or more, the charger is considered good.

The voltage is measured after plugging the charger into a 110/115 volt socket, connecting a DC volt meter negative (-) lead to exposed pin or charger plug, and connecting positive (+) meter lead to charger pin socket.

If the voltage is less than 7.5 volts, or the needle deflects in reverse direction, the charger is not good and should be replaced.

The chargers rated at 7.5 or 12 volts also allowed a slow charging rate which was required when using the Delco-Remy lead acid batteries. Fast charging will cause loss of water and over-heating which will ruin the battery.

While the G.E. Ni-Cad battery can be charged at a higher charging rate using the 17.4 DCV charger, the continued use of the lower rated chargers prevents heat damage which could result from batteries left on charge indefinitely.

We do not, however, encourage owners to always leave batteries on charge. Longest life from the G.E. Ni-Cad batteries will be experienced if the charging and use rate is varied. Also, it is better if the battery is occasionally allowed to run down and then recharged.

**CAUTION:** Batteries which have not been charged per previously listed times will retain only that amount of charge when put into service, resulting in short life between charges.



## SAFETY SPECIFICATIONS FOR POWER LAWN MOWERS

The United States of America Standards Institute, (formerly American Standards Association), has issued the following Safety Standard. This standard (B71.16-1977, paragraph 10.3) specifies that "the maximum tip speed of any blade should be 19,000 feet per minute". Since blade tip speed is a function of engine R.P.M., lower tip speeds usually require lower engine speeds. The chart below lists various lengths of rotary lawnmower cutter blades, and the maximum blade rotational speeds, which will produce blade tip speeds of 19,000 feet per minute.

<u>Blade</u> <u>Length</u>	<u>Maximum</u> <u>Rotational R.P.M.</u>	<u>Blade</u> <u>Length</u>	<u>Maximum</u> <u>Rotational R.P.M.</u>
18"	4032	23"	3155
19"	3820	24"	3024
20"	3629	25"	2903
21"	3456	26"	2791
22"	3299		

For engine protection, top governed speed should never exceed 4000 R.P.M., no load.

To check top governed speed on rotary lawnmowers with blade connected directly to crankshaft:

1. Measure length of cutter blade (diagonally across cutting corners).
2. Set governor control in FAST position. Adjust carburetor mixture to obtain maximum engine R.P.M.
3. Check engine speed with a tachometer. Allow the engine to reach normal operating temperature before measuring speed. To account for tolerances, which may be required by tachometer manufacturers, top governed speed of the engine should be adjusted at least 200 R.P.M. lower than the maximum speeds shown.
4. Top governed speed of the engine should not exceed speed shown, when engine is operated on a completely assembled mower.
5. If top governed speed does exceed the speed shown, the governor spring should be changed, or the top speed limit device should be adjusted.
6. If a governor spring must be replaced, consult the appropriate Illustrated Parts List. Choose the proper governor spring by engine type number. After a new governor spring is installed, check engine top governed speed with a tachometer.

To check blade tip speed on rotary lawnmowers with blades not directly connected to crankshaft:

On some rotary lawnmowers, the cutter blade shaft is driven through the use of a belt and pulleys, or a gear box, and may not rotate at the same speed as the engine. On such equipment, blade tip speed may be determined in either of the following methods:

**METHOD 1:** If the upper end of the cutter blade shaft extends through the top side of the mower deck, a mechanical tachometer can be used to check maximum rotational R.P.M. of the blade shaft.

**METHOD 2:** Measure the diameter of pulley on engine crankshaft and pulley on cutter blade shaft. Use ratio of pulley diameters to determine the blade shaft R.P.M. at top governed speed of engine. If necessary, adjust top governed speed limit of engine to keep blade shaft R.P.M. below suggested maximum rotational R.P.M.

If a Service Replacement Engine is used, check the top governed speed with a tachometer with the engine operating on a completely assembled mower, to be sure the blade tip speed will not exceed 19,000 feet per minute. If necessary, change the governor spring or adjust the top speed limit device.

## BOLENS ROTARY TILLER MODELS AND SPECIFICATIONS

Model	Engine Model & Type	H.P.	Remarks
<b>1954/1955</b>			
M16	Cl. 990-100	2.5	Horizontal
EC12C2	Cl.	2	Horiz, Wheel Drive
EC12C3	Cl.	3	Horiz, Wheel Drive
BA12C3	Cl. D1107-C5B	3	Horiz, Wheel Drive
BA16W4½	Wis. ACN	4.5	Horiz, Wheel Drive
BA16W6	Wis. BKN	6	Horiz, Wheel Drive
BA24W6	Wis. BKN	6	Horiz, Wheel Drive
<b>1956</b>			
61	Cl. VS100-98928	2.5	Vertical
M16A	Cl. 3100	3	Horizontal
M16	Cl. 990-100	3	Horizontal
BA12C3	Cl. D1107-C5B	3	Horiz, Wheel Drive
BA16W4½	Wis. ACN	4.5	Horiz, Wheel Drive
BA16W6	Wis. BKN	6	Horiz, Wheel Drive
BA24W6	Wis. BKN	6	Horiz, Wheel Drive
710	Elec.		Vertical
<b>1957</b>			
61	Cl. VS100-98928	2.5	Vertical
61	B & S 6BH-900834	2.25	Vertical
M16A	Cl. 3100	3	Horizontal
M16B	Cl. 3100	3	Horizontal
M16D	Cl. 900-2170	3	Horizontal
BA12	Cl. D1107-C5B	3	Horiz, Wheel Drive
BA16	Wis. BKN	6.2	Horiz, Wheel Drive
BA24	Wis. BKN	6.2	Horiz, Wheel Drive
70	Ko. K91-31146A	3.6	Horiz, Wheel Drive
710	Elec.		Vertical
<b>1958</b>			
2012	Cl.	3	Horiz, Wheel Drive
2016	Cl. 900-2206	3	Horizontal
2017	Cl. 900-2170	3	Horizontal
2059	B & S	2.25	Vertical
2063	B & S 81702-944599	2.75	Vertical
2071	Ko. K91-31146A	3.6	Horiz, Wheel Drive
2076	Wis. BKN	7	Horiz, Wheel Drive
2080 (80-01)	Wis. AENL-146358	9.2	Horiz, Wheel Drive
2710	Elec.		Vertical
<b>1959</b>			
2054	La. LV22-H3228	2.25	Vertical
2055	Cl. VS3100-1124	3.25	Vertical
2066	B & S 81312-943584	3	Horiz, Reverse
2067	Cl. 900-2206	3	Horiz, Reverse
2072	Ko. K91-31146A	4	Horiz, Wheel Drive
2077	Ko. K161-28308E	7	Horiz, Wheel Drive
2080 (80-01)	Wis. AENL-146358	9.2	Horiz, Wheel Drive
<b>1960</b>			
2027	La. LV30	3	Vertical
2044	La. LV25C-1090P	2.5	Vertical
2046	B & S 81392-9436963	3	Horiz, Reverse
2048	La. H35-D1080P	3.5	Horiz, Reverse
2072	Ko. K91-31146A	4	Horiz, Wheel Drive
2077	Ko. K161-28308E	7	Horiz, Wheel Drive
2080	Wis. AENL-146358	9.2	Horiz, Wheel Drive
<b>1961</b>			
2033	Cl. VS4100-2136	3	Vertical
2051	Cl. VS2100-3200	2.25	Vertical
2056	B & S 81392	3	Horiz, Reverse
2058	La. H35-2105	3.5	Horiz, Reverse
2064	Cl. B1290-1272	4	Horiz, 2 Spds Fwd.
2072	Ko. K91-31146A	4	Horiz, Wheel Drive
2077	Ko. K161-28308E	7	Horiz, Wheel Drive
6326	B & S 80902	3	Vertical

Model	Engine Model & Type	H.P.	Remarks
<b>1962/1963</b>			
2041	B & S 82902-015701	3	Vertical
2064	Cl. B1290-1272	4.5	Horiz, 2 Spds Fwd.
2100	B & S 80392-953018	3	Horiz, Reverse
<b>1964</b>			
2041-02	B & S 82902-015701	3	Vertical
2101-01	B & S 100292-015401	4	Horiz, Reverse
<b>1965</b>			
2041-03	B & S 82902-015701	3	Vertical
2101-01	B & S 100292-015401	4	Horiz, Reverse
<b>1966</b>			
2042-01	B & S 92902-015201	3.5	Vertical
2101-01-02	B & S 100292-015401	4	Horiz, Reverse
<b>1967/1968</b>			
2045-01	B & S 92902-015201	3.5	Vertical
2102-01	B & S 130292-160245	5	Horiz, Reverse
<b>1969</b>			
2045-02	B & S 92902-070401	3.5	Vertical
2103-01	B & S 130292-012501	5	Horiz, Reverse
<b>1970/1971</b>			
2049-01	B & S 92902-070401	3.5	Vertical
2091-01	B & S 100202-014508	4	Horiz
2104-01	B & S 130292-012506	5	Horiz, Reverse
<b>1972</b>			
2135-01	B & S 92902-070401	3.5	Vertical
2150-01	B & S 130292-014103	5	Horiz, Reverse
<b>1973</b>			
2135-02	B & S 92902-131601	3.5	Vertical
2150-01	B & S 130292-014103	5	Horiz, Reverse
<b>1974</b>			
2135-03	B & S 92902-131601	3.5	Vertical
2150-02	B & S 130292-014103	5	Horiz, Reverse
<b>1975</b>			
2135-04	B & S 92902-131601	3.5	Vertical
2150-03	B & S 130292-014103	5	Horiz, Reverse
<b>1976</b>			
2135-04	B & S 92902-131601	3.5	Vertical
2150-03	B & S 130292-014103	5	Horiz, Reverse
2230-01	B & S 80202-051001	3	Chain Drive
2235-01	B & S 92902-131602	3.5	Vertical
2250-01	B & S 130202-033501	5	Chain Drive
2255-01	B & S 130292-061101	5	Horiz, Reverse
<b>1977</b>			
2230-01	B & S 80202-0510	3	Chain Drive
2235-01	B & S 92902-131602	3.5	Vertical
2250-01	B & S 130202-0335	5	Chain Drive
2255-01	B & S 130292-061101	5	Horiz, Reverse

Key: B & S - Briggs & Stratton  
 La. - Lauson  
 Tec. - Tecumseh  
 Wis. - Wisconsin  
 Cl. - Clinton  
 Ko. - Kohler

## BOLENS ROTARY TILLER MODELS AND SPECIFICATIONS (Cont.)

Model	Engine Model & Type	H.P.	Remarks
<b><u>1978/1979</u></b>			
2230-01-02	B & S 80202-051002	3	Chain Drive
2235-02	B & S 92902-131602	3.5	Vertical
2250-01-02	B & S 130202-074801	5	Chain Drive
2255-01	B & S 130292-061101	5	Horizontal, Reverse
<b><u>1980-1982</u></b>			
None Built			
<b><u>1983</u></b>			
2152	B & S 130202-0135	5	Front Tine Chain Driven
2162	B & S 130292-0803-01	5	Rear Tine Wheel Driven
<b><u>1984</u></b>			
2152	B & S 130202-0135	5	Front Tine Chain Driven
2162	B & S 130292-0803-01	5	Rear Tine Wheel Driven
<b><u>1985</u></b>			
2152	B & S 130202-0135	5	Front Tine Chain Driven
2162	B & S 130292-0803-01	5	Rear Tine Wheel Driven
2142	B & S 80202-1827-01	3	Front Tine Chain Driven
2164	B & S 130292-1862-01	5	Rear Tine Wheel Driven
<b><u>1986</u></b>			
2152	B & S 130202-0135	5	Front Tine Chain Driven
2142	B & S 80202-1827-01	3	Front Tine Chain Driven
2164	B & S 130292-1862-01	5	Rear Tine Wheel Driven

Key: B & S - Briggs & Stratton

# TILLER WORM SHAFT INSTALLATION

(TILLERS PREVIOUS TO 2091-02 AND 2104-02, 2150 AND 2255 TILLERS)

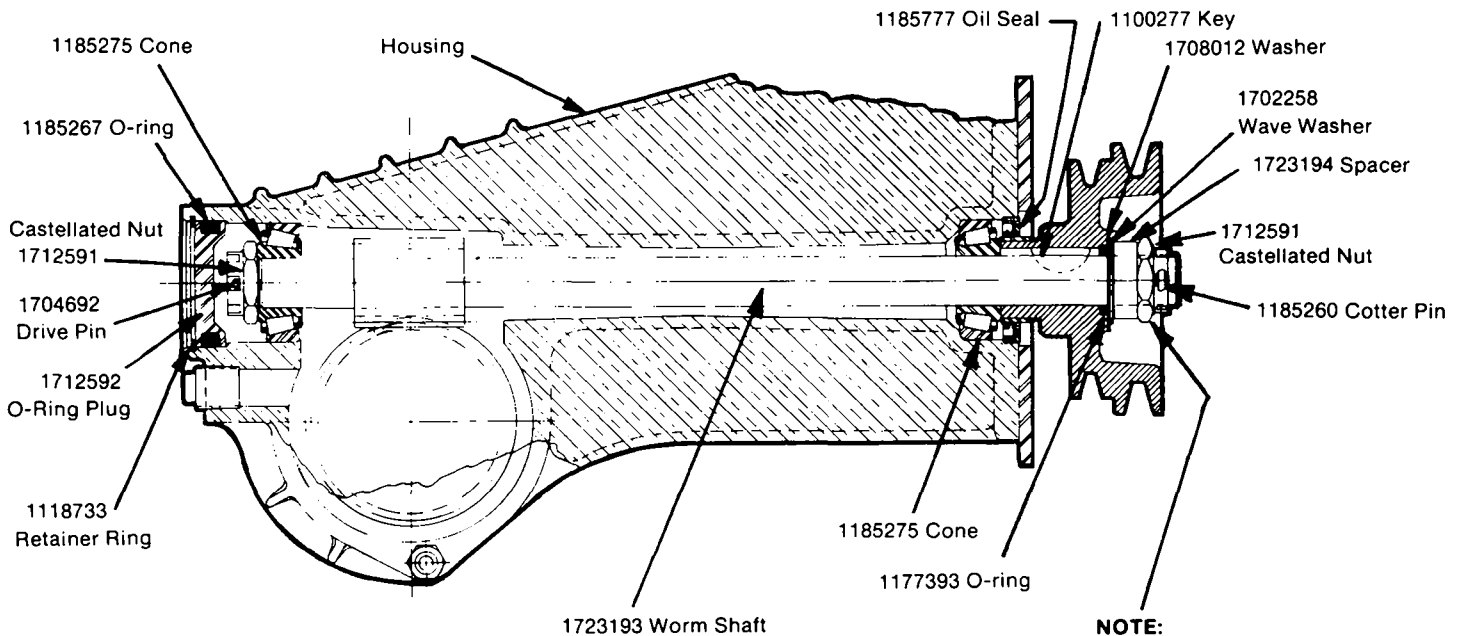
Worm shaft # 1712874 has been replaced by worm shaft # 1723193. When # 1712874 is ordered, # 1723193 will be furnished plus # 1712591 constellated nut and # 1723194 spacer. To install the new worm shaft, proceed as follows:

1. Drain gear case and remove # 1118733 retainer ring.
2. Remove cotter pin, castellated nut, wave washer and flat washer on pulley end of shaft. Using a puller, remove pulley and key from shaft.
3. With a plastic hammer, gently tap the worm out through tine end, forcing O-ring plug and O-ring out at the same time.
4. Remove drive pin, castellated nut and # 1185275 cone from old shaft.
5. Install the # 1185275 cone on the worm end of the worm shaft and secure with castellated nut removed from old shaft and drive pin.
6. Coat bearing cone with worm gear lube. Install new shaft into gear housing from worm gear end. Be careful to align bearing cone on pulley end with shaft.
7. Install woodruff key removed from old shaft into new shaft. Install pulley.
8. Coat O-ring # 1177393 with grease or oil and install over shaft into the counterbore in pulley provided. Be careful not to damage O-ring on threads of shaft.
9. Reinstall # 1708012 flat washer, # 1702258 wave washer, old shaft and new spacer.
10. Install # 1712591 castellated nut, tighten sufficiently to remove backlash and completely compress wave washer. Loosen nut three flats and secure with cotter pin.
11. Reinstall # 1712593 O-ring plug and O-ring. Secure with # 1118733 retainer ring.
12. Tilt tiller back, remove gear case fill plug and add 6 oz. of Worm Drive Gear Lube. Pour lube slowly to allow trapped air to escape. Oil level should be maintained to the filler plug hole level when tiller is level.

**NOTE:** It is advisable to install the following parts when changing the worm shaft.

- |                         |                          |  |
|-------------------------|--------------------------|--|
| 1 - # 1185267 O-ring    | 1 - # 1177393 O-ring     | 1 - # 1720390 Worm Gear (to assure proper wear life) |
| 1 - # 1704692 Drive Pin | 1 - # 1185260 Cotter Pin |  |

After replacing the worm shaft and worm gear, a light load break-in period of approximately one hour is recommended to minimize scoring and increase gear life.



**NOTE:**

Use of SAE 90W E.P. Lube will severely shorten gear life. Use SAE 140 worm gear lube only.

**NOTE:**

Tighten nut sufficiently to remove all backlash and completely compress wave washer. Then loosen nut two to three flats and insert cotter pin.



## BOLENS SNOW THROWER MODELS AND SPECIFICATIONS

Model	Engine Model & Type	H.P.	Remarks	Model	Engine Model & Type	H.P.	Remarks
<b>1961</b> 525	B & S 81202-928225	3		<b>1974/1975</b> 726-02 832-02	Tec. HSK70-130165A Tec. HMSK80-155022	7 8	Two Stage w/Diff Two Stage w/Diff
<b>1962</b> 528	B & S 81202-928225	3		<b>1976</b> 524-04 625-01 826-01	Tec. HSSK50-67073A Tec. HSK60-75428L Tec. HMSK80-155022B	5 6 8	Two Stage Two Stage Two Stage w/Diff
<b>1963</b> 531	B & S 80202-948136	3		<b>1977/1978</b> 524-05 625-02 826-02	Tec. HSSK50-67073B Tec. HSK60-75428M Tec. HMSK80-155022D	5 6 8	Two Stage Two Stage Two Stage w/Diff
<b>1964</b> 532-01 (Artic 40) 536-01 (Artic 60)	B & S 100202-40117 La. H60-75062B	4 6		<b>1979</b> 524-06 724-01 826-03  1026-01 1032-01	Tec. HSSK50-67073B Tec. HSK70-130165D Tec. HMSK80-155022D, E Tec. HMSK100-159033C Tec. HMSK100-159033C	5 7 8  10 10	Two Stage Two Stage Two Stage w/Diff Two Stage w/Diff Two Stage w/Diff
<b>1965</b> 532-01 (Artic) 536-02 (Artic 60)	B & S 100202-022501 La. H60-75062B	4 6		<b>1980</b> 225-01   225E-01 350-01 350E-01 500-01 500E-01 524-07 724-02 826-04  1026-02 1032-02	Tec. AH520-1598 Tec. AH520-1609  Tec. AH520-1608 Tec. H35-45535M Tec. H35-45529M Tec. HS50-67187C Tec. HS50-67182C Tec. HSSK50-67073B Tec. HSK70-130165D Tec. HMSK80-15022D, E Tec. HMSK100-159033C Tec. HMSK100-159033C	2.25 2.25 2.25 3.5 3.5 5 5 5 7 8 10 10	2-cycle, S/N 0100101-0101101 2-cycle, S/N 0101102 & Up 2-cycle, Elec Start  Elec Start Elec Start Two Stage Two Stage Two Stage w/Diff Two Stage w/Diff Two Stage w/Diff
<b>1966</b> 535-01 (Artic 40) 536-03 (Artic 60)	B & S 100202-022501 La. H60-75062B & 75062E	4 6		<b>1981/1982</b> 225-02 225E-02 350-02 350E-02 500-02 500E-02 524-08 724-03 826-05  1032-02 -03	Tec. AH520-1609A Tec. AH520-1608A Tec. H35-45549N Tec. H35-45550N Tec. HS50-67197D Tec. HS50-67198D Tec. HSSK50-67073B Tec. HSK70-130165D Tec. HMSK80-155022D, E Tec. HMSK100-159033C	2.25 2.25 3.5 3.5 5 5 5 7 8 10	2-cycle 2-cycle, Elec Start Elec Start Elec Start Elec Start Two Stage Two Stage Two Stage w/Diff Two Stage w/Diff
<b>1967</b> 536-04 (Artic 60)	La. H60 Snow King 75062G	6					
<b>1968</b> 536-05 (Artic 60)	La. H60 Snow King 75062G	6					
<b>1969</b> 537-01 (Artic 70) 538-01 (Artic 70) 539-01 (Artic 70) 540-01 (Artic 70)	Tec. H70-130023 Tec. H70-130023 Tec. H70-130023	7 7 7	Two Stage Two Stage Two Stage Attachment for the Artic 70 Only				
<b>1970</b> 55-01 75-01	Tec. H50-65224H Tec. H70-130064	5 7	Two Stage Two Stage				
<b>1971</b> 55-02 75-02	Tec. H50-65224H Tec. H70-130064H	5 7	Two Stage Two Stage				
<b>1972</b> 55-03 75-03	Tec. H50-65224J Tec. H70-130124A	5 7	Two Stage Two Stage				
<b>1973</b> 524-01 726-01 832-01	Tec. HSK50-65366J Tec. HSK70-130165A Tec. HMSK80-155022	5 7 8	Two Stage Two Stage w/Diff Two Stage w/Diff				

Key: B & S - Briggs & Stratton  
La. - Lauson  
Tec. - Tecumseh

BrentChalmers.com

## BOLENS SNOW THROWER MODELS AND SPECIFICATIONS (CON'T)

Model	Engine Model & Type	H.P.	Remarks
<b>1983</b>			
225-03	Tec. AH520-1609A	2.25	2-cycle
225E-03	Tec. AH520-1608A	2.25	2-cycle, Electric Start
350-03	Tec. H35-45549N	3.5	
350E-03	Tec. H35-45550N	3.5	Electric Start
500-03	Tec. HS50-67197D	5.0	
500E-03	Tec. HS50-67198D	5.0	Electric Start
524-09	Tec. HSSK50-67073D	5.0	Two Stage
724-04	Tec. HSK70-130165F	7.0	Two Stage
824-01	Tec. HMSK80-155022G	8.0	Two Stage
826-06	Tec. HMSK80-155022G	8.0	Two Stage w/Differential
1026-04	Tec. HMSK100-159033G	10.0	Two Stage w/Differential
1032-04	Tec. HMSK100-159033G	10.0	Two Stage w/Differential
<b>1984/1985</b>			
300-01	Tec. AH600-1634	3.0	2-cycle
300E-01	Tec. AH600-1634	3.0	2-cycle, Electric Start
350-04	Tec. H35-45549N	3.5	
350E-04	Tec. H35-45550N	3.5	Electric Start
500-04	Tec. HS50-67197D	5.0	
500E-04	Tec. HS50-67198D	5.0	Electric Start
524-09/10	Tec. HSSK50-67073D	5.0	Two Stage
724-04	Tec. HSK70-130165F	7.0	Two Stage
824-01/02	Tec. HMSK80-155022G/155282K	8.0	Two Stage
826-06/07	Tec. HMSK80-155022G/155282K	8.0	Two Stage w/Differential
1026-04	Tec. HMSK100-159033G	10.0	Two Stage w/Differential
1032-04	Tec. HMSK100-159033G	10.0	Two Stage w/Differential
<b>1986</b>			
300-02	Tec. AH600-1634B	3.0	2-cycle
500E-05	Tec. HS50-67198D	5.0	Electric Start
520-01	Tec. HS50-67198D	5.0	
5210-01	Tec. HSSK50-67257F	5.0	Two Stage
624-01	Tec. HSK60-75493	6.0	Two Stage
824-03	Tec. HMSK80-155282K	8.0	Two Stage
826-08	Tec. HMSK80-155282K	8.0	Two Stage w/Differential
1032-06	Tec. HMSK100-159033G	10.0	Two Stage w/Differential
<b>1987</b>			
300-03	Tec. AH600-1634B	3.0	2-cycle
322-01	B & S 62032-0651	3.0	
500E-05	Tec. HS50-67198F	5.0	Electric Start
520-01	Tec. HS50-67198F	5.0	
624-01	Tec. HSK60-75493U	6.0	Two Stage
824-04	Tec. HMSK80-155022L	8.0	Two Stage
824B-01	Tec. HMSK80-155320L	3.0	Two Stage
826B-01	Tec. HMSK80-155320L	8.0	Two Stage w/Differential
1032B-01	Tec. HMSK100-159102K	10.0	Two Stage w/Differential
4021-01	Tec. HSSK40-55558J	4.0	Two Stage w/Auger Drive
5210-01	Tec. HSSK50-67257F	5.0	Two Stage

**WALKING SNOW THROWER ATTACHMENT INTERCHANGEABILITY  
(1970 TO PRESENT)**

MODEL	ACCESSORY NO.	DESCRIPTION	520	75	225-01-02 225E-01-02	350-01/350E-01 500-01/500E-01	524-01/625/724/624	524-04 & Later	726	824/824B	826-01-02-03-04	826-05 & Later/826B	832	1026/824	1032-01-02	1032-03 & Later/1032B	5210/4021
1280-02	1742020	Impeller Clutch Kit .....			X	X											
6812		Blizzard Pack .....								X		X					
6813		Blizzard Pack .....															
6821	1750807	Plug In Starter Kit .....	X														
6848	1725328	Plug In Starter Kit .....					X	X	X								
6850	1725381	Tire Chains (4.10 x 3.50 x 6)					X	X									
6852	1725383	Tire Chains (13 x 6.50 x 6)...								X	X		X		X		
6855	1725382	Tire Chains (13 x 5.00 x 6)...								X	X		X		X		
6856	1726375	Cab (See note 1) .....					X	X	X	X	X	X	X	X	X	X	X
6857	1725329	Plug In Starter Kit .....					X	X	X	X	X	X	X	X	X	X	X
6878	1728840	Plug In Starter Kit .....					X	X	X	X	X	X	X	X	X	X	X
6930		Cab .....					X	X	X	X	X	X	X	X	X	X	X
6948	1750823	Tire Chains (4.10/3.50 x 4)...															(2)
10536		Plug In Start Kit (USA) .....		X													
10538		Plug In Start Kit (CAN) .....		X													
10770		Cab .....		X													
10771		Slicer Bar (2 of 1720887) ....		X			X	X	X	X	X	X	X	X	X	X	X
10772	1720893	Roller Set .....		X			X	X	X	X	X	X	X	X	X	X	X
16012		Chains (13 x 5 x 6) .....		X													
16013		Chains (13 x 5 x 6) .....		X													
16050	1716185	Tire Chains (16 x 6.50 x 8)...															X
16214	1715616	Tire Chains (4.80 x 4.00 x 8)								X		X		X			

**1 - Use adapter kit 1742843 when mounting cab to 524-08, 724-03 and 826-05. New cabs have adapter kit included with cab.**

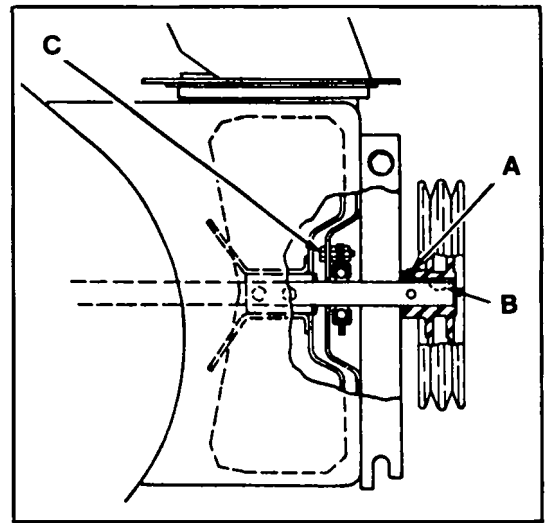
**2 - Model 5210 only.**

## SNOW CASTER BEARING REPLACEMENT

The bearing for the auger shaft must be removed and bearing and flanges must be installed.

### DISASSEMBLY

1. Loosen sheave set screws (A).
2. Drive the sheave toward the shaft bearing and remove woodruff key (B).
3. Remove the sheave and clean off the shaft.
4. Remove the auger assembly from the caster and clean off that end of the shaft.
5. Remove the present bearing assembly.
6. Locate the new bearing assembly. Position the bearing in line with the shaft center line and mark the location of the new mounting holes. Make sure the new holes are not interfering with the old. Drill the new holes.
7. Attach the new assembly as follows:
  - A. Insert the new 1" long screws (C) through the new bolt pattern from the inside out and secure with a nut.
  - B. Assemble the new bearing assembly and secure with the remaining nuts.
8. Reassemble the auger assembly loctiting the bearing.
9. Tighten the new bearing set screws.
10. Insert the woodruff key and secure the drive sheave in place with loctite and set screws.

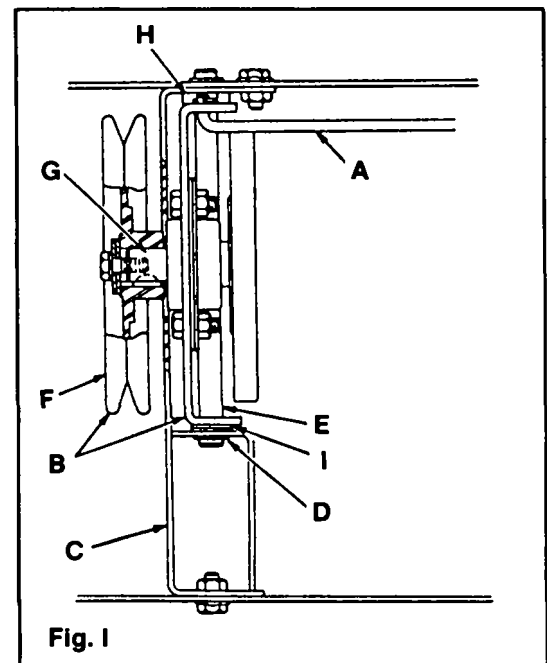


## DRIVE PLATE BEARING REPLACEMENT

The Drive Plate Assembly must be disassembled and two ball bearings (1743433) must be installed.

### DISASSEMBLY

1. Remove the engine belt cover.
2. Disassemble the snow caster from the tractor.
3. Remove the bottom cover and tip on end.
4. Disassemble rod (A).
5. The complete shaft assembly (B) with support plate must be removed to disassemble the bearings. One way would be to remove the complete outer support (C). If this proves to be difficult proceed as follows:
  - A. Disassemble the differential from the axles.
  - B. Rotate the differential with chain, up and away.
  - C. Remove snap ring (D) from shaft and slide shaft (E) out.
  - D. Remove the complete assembly (B).
6. Disassemble sheave (F) and remove the woodruff key.
7. Drive spindle shaft (G) through the bearings.
8. Disassembly and replace the old bearings with the new.
9. Clean off the shaft and reassemble, loctiting the new bearing in place.
10. Insert the key and secure sheave (F).
11. Position the complete assembly into housing and assemble shaft (E). Note spacers (H) and flat washers (I).
12. Reassemble rod (A) and differential.
13. Secure the bottom cover.





## BOLENS RIDING MOWER MODELS AND SPECIFICATIONS

Model	Engine Model & Type	H.P.	Width Cut	Elec. Start
<b>1958</b>				
6421	La. V30H-1-286P	3	24"	
6424	La. V30G-1-71P	3	24"	
6466	Cl. VS1100-138	3.5	24"	
6467	La. VX40-1-75	4	26"	
<b>1959</b>				
6421	La. V30H-1-286P	3	24"	
6428	La. V30H-1-286P	3	24"	
7425	La. V30H-1-279P	3	24"	
7467	La. VX55-1-306	5.5	26"	
<b>1960</b>				
1240	La. V30H-1-286P	3	24"	
6032	La. LV25A-1007	3.5	24"	
6428	La. V30H-1286P	3	24"	
8424	Cl. FV3100-1103	3.5	24"	
8426	Cl. V1200-1157	4.5	26"	
8436	La. V55B-1089	5.5	36"	
9240	B & S 81702-944608	3	24"	
<b>1961</b>				
610	La.	3	24"	
1268	La. V45B-1114P	4.5	26"	
8524	Cl. FV3100-1114	3.5	24"	
8526	Cl. V1200-1157	4.5	26"	
8536	La. V55B-1089	5.5	36"	
8640	La. LV35	3.5	24"	
<b>1962</b>				
8624	La. LV35L-3124P	3.5	24"	
8626	La. V45A-3124P	4.5	26"	
<b>1963</b>				
8724-01	B & S 100902-0154	4	24"	
8726-01	B & S 140702-0125	5	26"	
<b>1964</b>				
8724-02	B & S 100902-0154	4	24"	
8726-02	B & S 140702-0125	5	26"	
<b>1965</b>				
8724-03	B & S 100902-0154	4	24"	
8726-03	B & S 140702-0125	5	26"	
<b>1966</b>				
8725-01	B & S 100902-0154	4	24"	
8727-01	B & S 144702-0122	5	26"	
<b>1967</b>				
8725-01	B & S 100902-0154	4	24"	
8727-01	B & S 144702-0122	5	26"	
<b>1968</b>				
8725-01	B & S 100902-0154	4	24"	
8728-01	B & S 130902-0195	5	26"	
<b>1969</b>				
8725-01	B & S 100902-0154	4	24"	
8728-01	B & S 130902-0195	5	26"	
<b>1970</b>				
None Built				
<b>1971</b>				
None Built				
<b>1972</b>				
728-01	Tec. V70-125172	7	28"	OPT.

Model	Engine Model & Type	H.P.	Width Cut	Elec. Start
<b>1973</b>				
728-02	Tec. V70-125172	7	28"	OPT.
<b>1974</b>				
828-01	Tec. VM80-150051	8	28"	
829-01	Tec. VM80-150037A	8	28"	X
<b>1975</b>				
828-01	Tec. VM80-150051	8	28"	
829-01	Tec. VM80-150037A	8	28"	X
<b>1976</b>				
828-01-02	Tec. VM80-150051	8	28"	
829-01-02	Tec. VM80-150037A	8	28"	X
<b>1977</b>				
828-02	Tec. VM80-150051C,D	8	28"	
829-02	Tec. VM80-150037D	8	28"	X
<b>1978</b>				
828-03	B & S 190702-1150-01	8	28"	
829-02	Tec. VM80-150037D	8	28"	X
829-03	B & S 190705-1154-01	8	28"	X
<b>1979</b>				
528-02	B & S 130902-0606	5	28"	
830-02/03	B & S 190702-1174	8	30"	
831-02/03	B & S 190707-1166	8	30"	X
<b>1980</b>				
528-03	B & S 130902-0606	5	28"	
830-03/04	B & S 190702-1174	8	30"	
830-04	B & S 190702-1183	8	30"	
831-04	B & S 190707-1182	8	30"	X
<b>1981</b>				
628-01	Tec. TVM140-70368K	6	28"	
830-04/05	B & S 190702-1183	8	30"	
831-04/05	B & S 190707-1182	8	30"	X
940-01	B & S 252707-0197	11	40"	X
1134-01	B & S 252707-0225	11	34"	X
<b>1982</b>				
628-01	Tec. TVM140-70368K	6	28"	
830-06	B & S 190702-1183	8	30"	
831-06	B & S 190707-1182	8	30"	X
942-02	B & S 252707-0229	11	42"	X
1134-02	B & S 252707-0225	11	34"	X
<b>1983</b>				
830-07	B & S 190702-2142	8	30"	
831-07	B & S 190707-2141	8	30"	X
942-03	B & S 252707-0229	11	42"	X
1130-01	B & S 252707-0647	11	30"	X
1134-03	B & S 252707-0647	11	34"	X
<b>1984</b>				
830-07	B & S 190702-2142	8	30"	
831-07	B & S 190707-2141	8	30"	X
942-03	B & S 252707-0229	8	42"	X
1134-04	B & S 252707-0647	11	34"	X
1136-01	B & S 252707-0647	11	36"	X

Key: B & S - Briggs & Stratton  
 Cl. - Clinton  
 La. - Laisch  
 Tec. - Tecumseh

BrentChalmers.com

## BOLENS RIDING MOWER MODELS AND SPECIFICATIONS

<b>Model</b>	<b>Engine Model &amp; Type</b>	<b>H.P.</b>	<b>Width Cut</b>	<b>Elec. Start</b>
<b>1985</b>				
830-08	B & S 190702-2142	8	30	
831-08	B & S 190707-2141	8	30	X
933-01	B & S 191707-5832	8	30	X
943-01	B & S 253707-0141	11	42	X
1136-02	B & S 252707-0647	11	36	X
<b>1986</b>				
2028-01	B & S 190707-2141	8	28	X
2030-01	B & S 190702-2142	8	30	
933-02	B & S 191707-5832	8	30	X
936-01	B & S 253707-0705	11	36	X
943-01	B & S 253707-0141	11	42	X
2036-01	B & S 252707-0647	11	36	X
<b>1987</b>				
2028-02	B & S 190707-2167	8	28	X
933-02	B & S 191707-5832 & 5847	8	30	X
936-02	B & S 253707-0705	11	36	X
943-01	B & S 253707-0141	11	42	X
2136-01	B & S 281707-0126	11	36	X

## RIDING MOWER ATTACHMENT INTERCHANGEABILITY

Model	Description	528 628	728	828-01/02	828-03	829-01-02	829-03-06	830	831 1130	1134-01-02	1134-03 & Later	1136-03
6845	Grass Catcher (Side) .....	X	X	X	X	X	X					
6847	Protective Cover .....	X	X	X	X	X	X	X	X	X	X	X
6861	36" Snow Blade .....	1	X	X	X	X	X	X	X	X		X
6870	Muffler Kit .....			X	X	X						
6877	Grass Hopper/Bagger (3 Bushel) .....		X	X	X	X	X					
6884	Gauge Wheel Kit (1736144) .....	X						X	X			
6885	Grass Hopper/Bagger (3 Bushel) .....	X						X	X			
6888	String Trimmer .....								X	X	X	X
6897	Backpacker Kit (Req. Boot Kit) .....							X	X			X
6898	Boot Kit (36" Mowers) .....											X
6899	Boot Kit (30" Mowers) .....							X	X			
6907	Thatcher Eliminator .....							X	X	X	X	X
6909	Disposable Bags (For Backpacker) .....							X	X			X
6951/52	Backpacker (Req. 6953 or 6954) .....							X	X			X
6953	Backpacker Adapter (30" Mower) .....							X	X			
6954	Backpacker Adapter (36" Mower) .....											X
6957	Stand .....						X	X	X	X	X	X
15110	Dump Cart (4.5 cu. ft.) .....	X	X	X	X	X	X	X	X	X	X	
15149	Hitch & Boot .....	X	X	X	X	X	X					
15150	Vacuum Sweeper .....	X	X	X	X	X	X					
16050	Tire Chains (1716185) .....			X	X	X	X	X	X			X
	(16 x 6.50 x 8)											
16214	Tire Chains (4.80 x 4.00 x 8) .....	X	X									
18620	31" Lawn Sweeper .....	X	X	X	X	X	X	X	X	X	X	X
18621	31" Lawn Sweeper .....	X	X	X	X	X	X	X	X	X	X	X

**X - Will fit without changes**

Model	Description	2028	2030	2036	2136	
6847	Protective Cover .....	X	X	X	X	
6888	String Trimmer .....	X	X	X	X	
6907	Thatcher Eliminator .....	X	X	X	X	
6909	Disposable Bags (For Backpacker) .....	X	X	X	X	
6951/6952	Backpacker (Req. 6953 & 6954) .....	X	X	X	X	
6953	Backpacker Adapter (28" & 30" Mowers) .....	X	X			
6954	Backpacker Adapter (36" Mower) .....			X	X	
6957	Stand .....	X	X	X	X	
6958	Wheel Weights .....	X	X	X	X	
15110	Dump Cart (4.5 cu. ft.) .....	X	X	X	X	
16050	Tire Chains (1716185) .....	X	X	X	X	
	(16 x 6.50 x 8)					
18620	31" Lawn Sweeper .....	X	X	X	X	
18621	31" Lawn Sweeper .....	X	X	X	X	

**X - Will fit without changes**

## REAR/FRAME STEER ATTACHMENT INTERCHANGEABILITY

Model	Description	940	942	933	943	936
6888	String Trimmer .....	X	X	X	X	X
6951/6952	Backpacker (Req. 6955) .....			X		
6955	Backpacker Adapter (30" Mower) .....			X		
6958	Wheel Wgts. (50 lb) .....			5		X
6960	Backpacker (36" Mower) .....					X
15110	Dump Cart .....	X	X			
15123	40" Snow Plow .....	X	X			
15124-01	32" Snow Thrower (Req. 15125) .....	X	1			
15125-01	Snow Thrower Hitch .....	X	2			
15127	Adapter Kit (Converts to 942 Drive) .....	X				
15550	40" Mower (Rear Discharge) .....	4				
15570	42" Mower (Side Discharge) .....	3	X		X	
18031	Wheel Weight Kit (Pr.) .....	X				
18032	Wheel Weight Kit (Pr.) .....	X	X			
18033	Wheel Weight Kit (Pr.) .....		X			
15530	30" Mower (Side Discharge) .....			X		
15535	Back Packer .....			X		
15536	36" Mower (Side Discharge) .....					X
MISC.						
1716185	Chains, Rear (16 x 6.50 - 8) .....	X	X		X	
1733439	Belt, Model 15124 Snow Thrower (Hitch to Snow Thrower) .....	X	X			
1735369	Belt (Matched Set), 940 Mower Drive .....	3				
1743896	Belt, 942 Mower Drive .....		X			

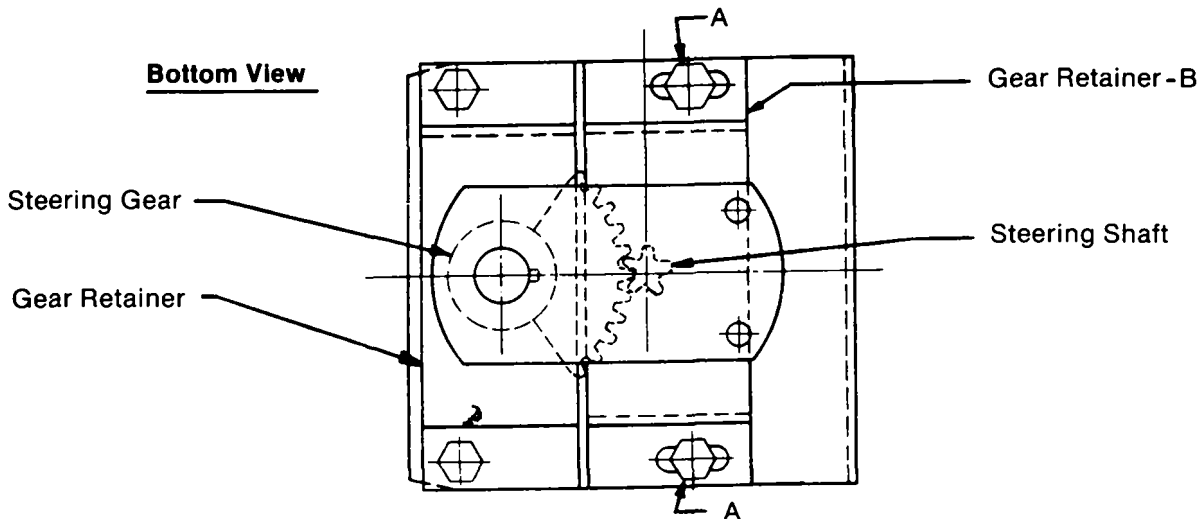
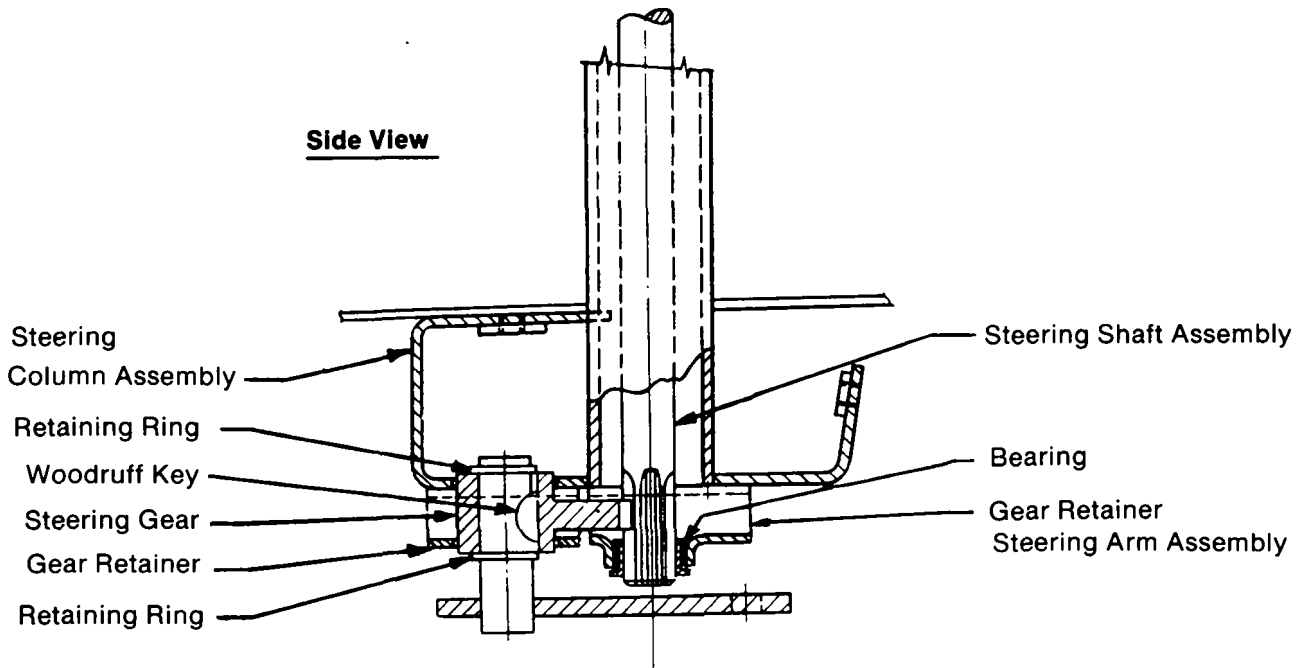
- 1 - Will fit with V-belt 1743519 and gear box rotated. See Product Bulletin 79.
- 2 - Hitch pulley & associated parts must be removed for single belt drive installation.
- 3 - Parts required to mount 42" mower to 940 tractor:
 

1 - 15570 42" Mower	1 - 1813312 Screw	1 - 1813546 Spacer
1 - 1813252 Lock Washer		1 - 1813545 Pulley
- 4 - Single double V-belt not available. Order (1) 1752128 V-Belt. When installing check idler alignment at normal cutting height. Relocate idler if not aligned (See Newsletter Jan. 24, 1986).
- 5 - Fits units with serial numbers 0200101 and later.



# RIDING MOWER STEERING ADJUSTMENT

(828 & 829, 0200101 thru 0399999)



**TO ADJUST STEERING:** Loosen bolts "A" and slide gear retainer "B" until steering shaft and steering gear rotate freely thru full travel range.

**NOTE:** All 728-02 & later, 828-01, and 829-01 mowers can be updated to this system by replacing the following parts:

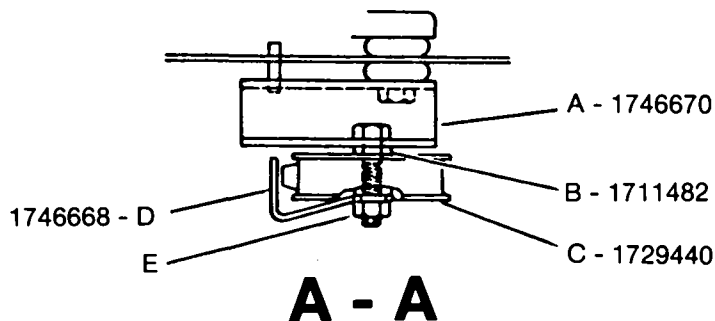
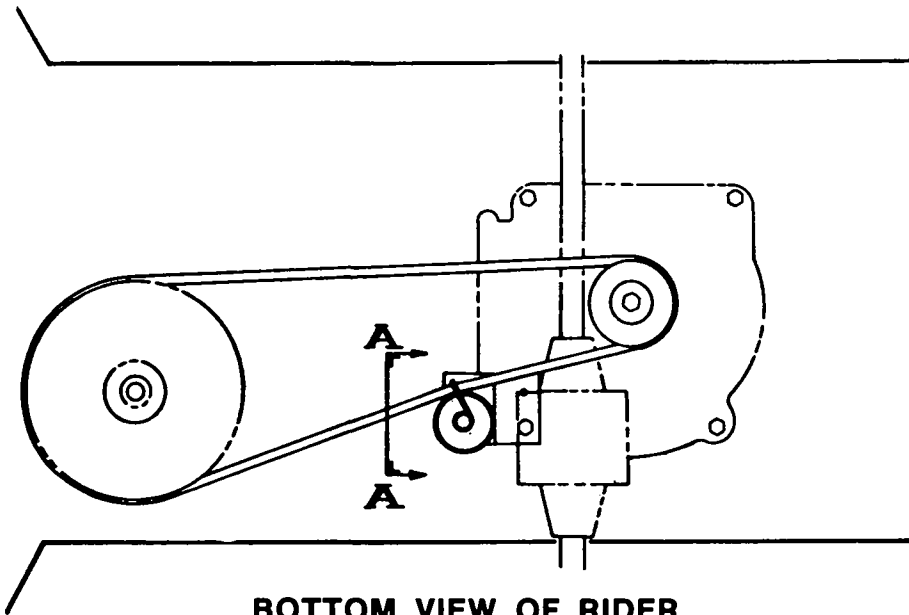
Remove: 1725531 Steering Shaft  
1723991 Steering Gear  
1723992 Gear Retainer  
1723983 Steering Arm  
1182512 Roll Pin

Add: 1735195 Kit

## RIDING MOWER IDLER INSTALLATION FOR DRIVE BELT

### **IDLER INSTALLATION**

1. Locate bracket (A).
2. Insert Hex Hd. Cap Screw, 3/8-16 x 1-1/2, through bracket (A).
3. Side on spacer (B), idler (C) and belt guide (D).
4. Loosely secure hex lock nut (E).
5. Remove the engine mounting hardware from the R.H. front engine hole.
6. Position the bracket assembly under the frame over the mounting hole. The pin in the bracket should fall into the hole in the frame.
7. With the drive belt inside the idler and guide, secure in place using the existing mounting hardware.
8. Secure the idler in place with the belt guide in the position shown.



**A - A**

## TRACTOR MODELS AND SPECIFICATIONS

MODEL	ENGINE MODEL & TYPE	HP	
<b>1949/ 1950</b>			
B6A4	Wis./B & S	3.0	W
B6A5	Wis./B & S	3.0	W
B6A5S	Wis./B & S	3.0	W
B6A20	Wis./B & S (1949)	3.0	W
HB63A5	B & S (1949)	3.0	W
10A	B & S NS-305118	1.1	W
12B	B & S 8R6-905899	2.5	W
12BA	Cl. B764-C.O.C. (1950)	2.0	W
12BB	B & S 8R6-905899 (1950)	2.5	W
35AA	Wis. BKN-121304	6.0	R
35AB	Wis. BKN-121304	6.0	R
653	B & S 23-203051 (1950)	8.0	R
<b>1951/ 1952/ 1953</b>			
B6A4	Wis. ACN	3.0	W
B6A5	Wis. ACN	3.0	W
B6A5S	Wis. ACN	3.0	W
10C	B & S 6S-701045	1.6	W
10CB	B & S 81302-493537 (1953)	2.5	W
12BA	Cl. B764-C.O.C.	2.0	W
12BB	B & S 8R6-905899	2.5	W
35AA	Wis. BKN-121304 (1951/52)	6.0	R
35AB	Wis. BKN-121304	6.0	R
35AB2	Wis. BKN-121304 (1953)	6.0	R
<b>1954</b>			
B6A4	Wis. ACN	3.0	W
B6A5	Wis. ACN	3.0	W
B6A5S	Wis. ACN	3.0	W
10C	B & S 6S-701045	1.6	W
10CB	B & S 81302-493537	2.5	W
15FA	Cl. C700	2.0	W
15FB	B & S 81302-493537	2.5	W
15FC	B & S 81302-493537	2.5	W
15FD	Ko. K91T-31268A	3.6	W
35AB	Wis. BKN-121304	6.0	R
35AB	Wis. BKN-121304	6.0	R
<b>1955/ 1956</b>			
B6A4	Wis. ACN (1955)	3.0	W
B6A5	Wis. ACN (1955)	3.0	W
B6A5S	Wis. ABN	3.0	W
10C	B & S 6S-701045	1.6	W
10CB	B & S 81302-493537	2.5	W
15FA	Cl. C700	2.0	W
15FB	B & S 81302-493537	2.5	W
15FC	B & S 81302-493537	2.5	W
15FD	Ko. K91T-31268A	3.6	W
20HD	Ko. K91T-31268A (1956)	3.6	W
35AB	Wis. BKN-121304	6.0	R
35AB2	Wis. BKN-121304	6.0	R
35AB3	Wis. BKN-121304	6.0	R
38AB	B & S 23-203051*	8.0	R
38AB2	B & S 23-203051*	8.0	R
38A3	B & S 23-203051*	8.0	R
<b>1957</b>			
15FC	B & S 81302-493537	2.0	W
15FD	Ko. K91T-31268A	3.6	W
15FE	Cl. A2100	2.0	W
15FH	Ko. K161-28118E	6.6	W
20HD	Ko. K91T-31268A	3.6	W
21HD	Ko. K161-28118E	6.6	W
38AB2	B & S 23-203051	8.0	R
38AB3	B & S 23-203051	8.0	R

SALES DESCRIPT.	MODEL	ENGINE MODEL & TYPE	H.P.	Trans.			Ign.	Remarks
				Three Speed*	Six Speeds	Bolens		
<b>1958</b>								
(Old 38AB2)	112	B & S 23-203051	8					
(Old 38AB3)	113	B & S 23-203051	8					
(Old 15FE)	152-01	Cl. A2100	2.75					W
(Old 15FC)	153-01	B & S 81302-493537	2.75					W
(Old 15FD)	154-01	Ko. K91T-31268A	3.6					W
(Old 15FH)	155-01	Ko. K161-28118E	6.6					W
(Old 20HD)	200	Ko. K91T-31268A	3.6					
(Ride-A -Matic)	220	Ko. K161-28118E	6.6			X	X	
<b>1959</b>								
	153-03	B & S 81302-493537	3			X	X	W
	154-03	Ko. K91T-31268A	4			X	X	W
	155-02	Ko. K161-28118E	6.6			X	X	W
(Ride-A -Matic)	230	Ko. K161-28118E	7			X	X	MS
<b>1960</b>								
	153-03	B & S 81302-493537	3			X	X	W
	154-03	Ko. K91T-31268A	4			X	X	W
	155-02	Ko. K161-28118E	7			X	X	W
	170-02	La. V45C-1220P	4.5			X	X	C
(Ride-A -Matic)	231-01	Ko. K161-28118E	7			X	X	
	232-01	Ko. K161-28118E	7			X	X	
<b>1961</b>								
	153-03	B & S 81302-493537	3			X	X	W
	154-03	Ko. K91T-31268A	4			X	X	W
	155-02	Ko. K161-28118E	7			X	X	W
	170-03-04	La. V45C-1220P	4.5			X	X	C
(Ride-A -Matic)	233-01	Ko. K161-28118E	7			X	X	MS
	234-01	Ko. K161-28118E	7			X	X	
<b>1962</b>								
(600)	180-01-02	B & S 142302-019801	6	X		X	X	MS
(600)	181-01-02	B & S 142301-019701	6	X		X	X	
(Ride-A -Matic)	235-01	Ko. K161-28118E	7			X	X	MS
	236-01	Ko. K161-28118E	7			X	X	
<b>1963</b>								
(600)	180-03	B & S 142302-019801	6	X		X	X	MS
(600)	181-03	B & S 142301-019701	6	X		X	X	
(800)	186-01	Wis. S7D-218981	7.25	X		X	X	MS
(800)	187-01	Wis. S7D-218981	7.25	X		X	X	
<b>1964</b>								
(600)	180-04	B & S 142302-019801	6	X		X	X	MS
(600)	181-04	B & S 142301-019701	6	X		X	X	
(900)	188-01	Wis. S8D-231552	8.25	X		X	X	
(900)	189-01	Wis. S8D-231552	8.25	X		X	X	
(L.K.)	910-01	B & S 142702-913201	6				X	MS
(E.K.)	930-01	Wis. S7D-230116	7.25	X		X	X	
<b>1965</b>								
(600)	180-04	B & S 142302-019801	6	X		X	X	MS
(600)	181-04	B & S 142301-019701	6	X		X	X	
(900)	188-02	Wis. S8D-231552	8.25	X		X	X	
(900)	189-02	Wis. S8D-231552	8.25	X		X	X	
(1000)	190-01	Wis. TR10D-241195	10		X	X	X	
(L.K.)	910-01	B & S 142702-913201	6				X	MS
(E.K.)	930-02	Wis. S7D-230116	7.25	X		X	X	

\* Bolens Design has Belt Changer for HI and LO Range

Key: B & S - Briggs & Stratton  
Cl - Clinton  
Ko. - Kohler  
L. - Lauson  
Wis. - Wisconsin

W - Walking  
C - Convertible  
MS - Manual Start

BrentChalmers.com

## BOLENS TRACTOR MODELS AND SPECIFICATIONS (CONT'D)

SALES DESCRPT.	MODEL	ENGINE MODEL & TYPE	H.P.	TRANS.									IGN.		REMARKS		
				THREE SPEED*	SIX SPEED	EATON 6 HYD.	EATON 10 HYD.	EATON 12 HYD.	SUND. 15 HYD.	BOLENS	PEERLESS	EATON	SOLID STATE	BATTERY		FLYWHEEL MAG.	
<b>1966</b>																	
(650)	184-01	B & S 146402-014801	6	X												X	Manual Start
(650)	185-01	B & S 146401-014701	6	X												X	
(850)	191-01	Wis. S8D-231552	8.25	X												X	
(1050)	192-01	Wis. TR10D-241195	10		X											X	
(L.K.)	910-02	B & S 142702-913201	6													X	Manual Start
(L.K.)	911-01	La. V60-70093D	6													X	Manual Start
(E.K.)	930-02	Wis. S7D-230116	7.25	X												X	
<b>1967</b>																	
(750)	171-01	B & S 170402-013001	7	X												X	Manual Start
(750)	172-01	B & S 170401-013101	7	X												X	
(850)	191-02	Wis. S8D-271995	8.25	X												X	
(1050)	192-02	Wis. TRA10D-285633	10		X										X	X	
(1250)	197-01	Wis. S12D-281960	12					X					X		X	X	
(L.K.)	909-01	La. LAV50-60123G	5													X	Manual Start
(L.K.)	911-01	La. V60-70093D	6													X	Manual Start**
(E.K.)	931-01	Wis. TRA10D-286809	10		X										X	X	
<b>1968</b>																	
(770)	160-01	B & S 170702-062701	7	X												X	Manual Start**
(770)	161-01	B & S 170701-062801	7	X												X	
(850)	191-02	Wis. S8D-271995	8.25	X												X	
(1050)	192-02	Wis. TRA10D-285633	10		X										X	X	
(1250)	197-02	Wis. S12D-281960	12.5					X							X	X	
(L.K.)	914-01	La. V50-60123G	5													X	Manual Start**
(L.K.)	915-01	La. V60-70093D	6													X	Manual Start**
(E.K.)	931-02	Wis. TRA10D-286809	10	X											X	X	
<b>1969</b>																	
(770)	164-01	B & S 170702-062701	7	X												X	Manual Start
(770)	165-01	B & S 170701-062801	7	X												X	
(775)	166-02	B & S 170701-062801	7			X										X	
(850)	191-02	Wis. S8D-285662	8.25	X												X	
(1050)	192-02	Wis. TRA10-285633	10		X											X	
(1220)	193-01	La. HH120-120061B	12		X											X	
(1225)	194-01	Wis. TRA12D-318973	12					X					X		X	X	
(1250)	197-03	Wis. S12D-281960	12.5					X					X		X	X	
(1455)	198-01	Wis. S14D-309245	14					X					X		X	X	
(1455)	198-02	Wis. S14D-318974	14					X					X		X	X	
(L.K.)	914-02	La. V50-60123G	5										X			X	Manual Start**
(L.K.)	915-03	La. V60-70166G	6													X	Manual Start**
(E.K.)	931-02	Wis. TRA10D-286809	10	X											X	X	
<b>1970</b>																	
	730-01	B & S 170702-062701	7	X												X	Manual Start
	733-01	B & S 170701-062801	7	X												X	
	736-01	B & S 170701-062801	7			X										X	
(L.K.)	853-01-02	B & S 190401-013901	8	X												X	
	915-03	La. V60-70166G	6													X	Manual Start**
	1053-01-02	Wis. TRA10D-285633	10		X										X	X	
	1253-01-02	Tec. HH120-120090C	12		X								X		X	X	
	1256-01	Wis. TRA12D-335600	12					X					X		X	X	
	1257-01	Tec. HH120-120090C	12					X					X		X	X	
	1476-01	Wis. S14D-318974	14					X					X		X	X	
<b>1971</b>																	
	510-01-02	B & S 130902-027601	5	X												X	Manual Start
	610-01-02	B & S 146702-115301	6	X												X	Manual Start
	613-01-02	B & S 146707-115401	6	X												X	
	813-01	B & S 191707-063101	8	X												X	
	853-03	B & S 190401-013901	8	X												X	
	1054-01	Wis. TRA10D-285633	10		X										X	X	

\* Bolens Design has Belt Changer for HI and LO Range  
 \*\* Two Speed Trans. with HI and LO Range

## BOLENS TRACTOR MODELS AND SPECIFICATIONS (CONT'D)

SALES DESCRIPT.	MODEL	ENGINE MODEL & TYPE	H.P.	TRANS.								IGN.			REMARKS	
				THREE SPEED*	SIX SPEED	EATON 6 HYD.	EATON 10 HYD.	EATON 12 HYD.	SUND. 15 HYD.	BOLENS	PEERLESS	EATON	SOLID STATE	BATTERY		FLYWHEEL MAG.
<b>1971</b> Cont'd	1254-01	Wis. TRA12D-335600	12		X								X			
	1256-02	Wis. TRA12D-335600	12			X						X				
	1476-01	Wis. S14D-318974	14						X			X				
	1477-01	Wis. S14D-342332	14						X			X				
	1886-01	Ko. K482S-35113B	18						X			X		X		
<b>1972</b>																
	510-02	B & S 130902-027601	5	X											X	Manual Start
	613-03	B & S 146707-115401	6	X											X	Manual Start
	813-02-03	B & S 191707-063101	8	X											X	
	1054-02-04	Wis. TRA10D-285633	10		X										X	
	1254-02-04	Wis. TRA12D-335600	12		X								X			
	1254-05-06	Wis. TRA12D-357448	12		X								X			
	1256-03-04	Wis. TRA12D-335600	12					X					X			
	-06-07	Wis. TRA12D-357448	12					X					X			
	1556-01-02	Tec. HH150-170001	15					X					X			...
	-03															
	1886-02-03	Ko. K482S-35113B	18					X				X		X		
	-04															
	1886S-05	Ko. K482S-35208B	18					X		X				X		
<b>1973</b>																
(G8)	813-04	B & S 191707-063101	8	X											X	
(G10)	1055-01	Tec. HH100-115181D	10	X									X			
(G14)	1453-01	Tec. HH140-160001	14		X								X			
(H16)	1656-01	Tec. HH160-170005	16				X									
(QT16)	1666-01	Onan BF/MS 2425A	16					X						X		
(HT18)	1886S-06	Ko. K482S-35208B	18					X						X		
(HT20)	2086-01	Ko. K532S-53100A	19.5					X						X		
<b>1974</b>																
(G8)	813-05	B & S 191707-063101	8	X											X	
(G10)	1055-01	Tec. HH100-115181D	10	X									X			
(G14)	1453-02-03	Tec. HH140-160001	14		X								X			
(H14)	1456-01-02	Tec. HH140-160001	14				X						X			
(QS16)	1660-01	Ko. K341 AQS-71172A	16					X						X		
(QT16)	1666-02	Onan BF/MS 2425B & C	16					X						X		
(HT20)	2087-02	Ko. K532S-53102A	19.5					X						X		
<b>1975</b>																
(G8)	813-05	B & S 191707-063101	8	X											X	
(G10)	1055-02	Tec. HH100-115181D	10	X									X			
(G14)	1453-03	Tec. HH140-160016	14		X								X			
(H14)	1456-02-03	Tec. HH140-160016	14				X						X			..
(QS16)	1660-01	Ko. K341-AQS-71172A	16					X						X		
	-02	Ko. K341 AQS-71176A	16					X						X		
(QT16)	1666-02-03	Onan BF/MS 2425C	16					X						X		
		Onan BF/MS 2938D														
(HT20)	2087-02	Ko. K532S-53102A	19.5					X						X		
		Ko. K532S-53138A														
<b>1976</b>																
(G8)	813-05-06	B & S 191707-063101	8	X											X	
(G9)	855-01	B & S 190417-090201	8	X											X	
(G10)	1055-03	B & S 251417-015901	10	X											X	
(G12)	1255-01	Tec. HH120-120199E	12										X			
(G14)	1453-03	Tec. HH140-160016	14		X								X			
(GT14)	1460-01	Tec. OH140-160027A	14										X			
(H14)	1456-03	Tec. HH140-160016	14				X						X			5 Spd
(H16)	1656-02-03	Tec. HH160-170056	16					X					X			..
(QS16)	1660-02	Ko. K341 AQS-71176A	16					X						X		..
(QT16)	1666-03	Onan BF/MS 2938D & E	16					X						X		
(HT20)	2087-02	Ko. K532-53138A	19.5					X						X		

\* Bolens Design has Belt Changer for HI and Lo Range  
 \*\* 1456-02 & UP, 1656-02 & UP have Sump Type Hydro  
 \*\*\* 1st Overhead Valve Engine

**BOLENS TRACTOR MODELS AND SPECIFICATIONS (CONT'D)**

SALES DESCRIPTION	MODEL	ENGINE MODEL & TYPE	H.P.	TRANSMISSION							IGN.			REMARKS	
				SPEEDS	EATON 10	EATON 11	BOLENS	PEERLESS	ISEKI	SUND. 15	SOLID STATE	BATTERY	FLYWHEEL MAG.		INJECTION
<b>1977</b>															
(G8)	813-06	B & S 191707-065301	8	3									X		
(G9)	855-02	B & S 190417-090201	8	3			X						X		
(G10)	1055-04	B & S 251417-015901	10	6			X						X		
(G12)	1255-02	Tec. HH120-120199F	12	6			X				X				
(G14)	1453-04	Tec. HH140-160016	14	6			X				X				
(H14XL)	1458-01	Tec. OH140-160027A	14			X	X				X				
(H16)	1656-04	Tec. OH160-170056A	16			X	X				X				
(QS16)	1660-02	Ko. K341 AQS-71176A	16				X		X			X			
(QT16)	1666-02	Onan BF/MS 3283F	16				X		X			X			
(HT20)	2087-03	Ko. K532S-53138A	19.5				X		X			X			
<b>1978</b>															
(G8)	813-08	B & S 191707-112501	8	3				X					X		
(H11XL)	1058-01	B & S 253417-013101	11			X	X						X		
(G11XL)	1060-01	B & S 253417-013101	11	4				X					X		
(G14)	1453-05	Tec. OH140-160016B	14	6			X				X				
(H16XL)	1658-01	Tec. OH160-170089A	16			X	X				X				
(QT16)	1666-05	Onan BF/MS 3283F	16			X	X					X			
(HT20)	2087-04	Kohler K532S-53138A	19.5				X		X			X			
(G152)	TX 1300	Mitsubishi KE70-11GF	15	6				X					X		Diesel
(G154)	TX 1300F	Mitsubishi KE70-11GF	15	6				X					X		Deisel
(G172)	TX 1500	Mitsubishi KE75-11GF	17	6				X					X		Diesel
(G174)	TX 1500F	Mitsubishi KE75-11GF	17	6				X					X		Diesel
<b>1979</b>															
(LT8)	812-02	B & S 191702-565001	8	3				X					X		Manual Start
(LT8E)	814-01	B & S 191707-565101I	8	3				X					X		
(H11XL)	1058-02	B & S 253417-013101	11			X	X						X		
(G11XL)	1060-02	B & S 253417-013101	11	4				X					X		
(LT11)	1113-01	B & S 252707-018901	11	3				X					X		
(H14XL)	1458-01	Tec. OH140-160027A	14			X	X				X				
(G14XL)	1461-01	Tec. OH140-160027B	14					X			X				
(H16XL)	1658-02	Tec. OH160-170089A	16			X	X				X				
(G16XL)	1661-01	Tec. OH160-170089A	16					X			X				
(QT17)	1666-06/07	Kohler KT17QS-24106A	17			X	X					X			
(HT23)	2389-01	Kohler K582S-36272	23			X	X					X			
(G152)	TX 1300	Mitsubishi KE70-11GF	15	6				X					X		Diesel
(G154)	TX 1300F	Mitsubishi KE70-11GF	15	6				X					X		Diesel
(G172)	TX 1500	Mitsubishi KE75-11GF	17	6				X					X		Diesel
(G174)	TX 1500F	Mitsubishi KE75-11GF	17	6				X					X		Diesel
(G192)	TS 1910	Isuzu 2AA1	19	9				X					X		Diesel
(G194)	TS1910F	Isuzu 2AA1	19	9				X					X		Diesel
(G242)	TS 2420	Isuzu 2AB1	24	18				X					X		Diesel
(G244)	TS 2420F	Isuzu 2AB1	24	18				X					X		Diesel
<b>1980</b>															
(LT8)	812-02	B & S 191702-565001	8	3				X					X		
(LT8E)	814-02	B & S 191707-565101	8	3				X					X		
(LT11)	1113-02	B & S 152707-018901	11	3				X					X		
(G11XL)	1160-01	B & S 153417-013101	11	4				X					X		
(H12XL)	1258-01	Tec. OH120-175007	12			X	X		X						
(G12XL)	1261-01	Tec. OH120-175007	12	4				X					X		
(H14XL)	1458-03	Tec. OH140-160027A	14			X	X		X						
(G14XL)	1461-02	Tec. OH140-160027A	14	4				X					X		
(G16XL)	1661-02	Tec. OH160-170089A	16	4				X					X		
(QT17)	1666-07-08	Kohler KT17QS-24106A	17			X	X				X				
(H18XL)	1858-01	Tec. OH180-180002	18			X	X		X						

\* Bolens Design had Belt Changer for HI and LO Range

## BOLENS TRACTOR MODELS AND SPECIFICATIONS (CONT'D)

SALES DESCRIPTION	MODEL	ENGINE MODEL & TYPE	H.P.	TRANSMISSION					IGN.			REMARKS		
				SPEEDS	EATON 7	EATON 11	BOLENS	PEERLESS	ISEKI	SOLID STATE	BATTERY		FLYWHEEL MAG.	INJECTION
<b>1980 Cont'd</b>														
(HT22)	2288-01	Wis. WD2-860-095364-411	22			X	X							Diesel (EX)
(HT20D)	2289-01	Wis. WD2-860-095364-411	20			X	X							Diesel
(HT23)	2389-01	Kohler K582S-36272	23			X	X			X				
(G152)	TX 1300	Mitsubishi KE70-11GF	15	6					X			X		Diesel
(G154)	TX 1300F	Mitsubishi KE70-11GF	15	6					X			X		Diesel
(G172)	TX 1500	Mitsubishi KE75-11GF	17	6					X			X		Diesel
(G174)	TX 1500F	Mitsubishi KE75-11GF	17	6					X			X		Diesel
(G192)	TS 1910	Isuzu 2AA1	19	9					X			X		Diesel
(G194)	TS 1910F	Isuzu 2AA1	19	9					X			X		Diesel
(G242)	TS 2420	Isuzu 2AB1	24	18					X			X		Diesel
(G244)	TS 2420F	Isuzu 2AB1	24	18					X			X		Diesel
<b>1981</b>														
(LT8E)	814-02	B & S 191707-565101	8	3					X			X		
(LT11)	1113-02	B & S 252707-018901	11	3					X			X		
(G11XL)	1160-01-02	B & S 253417-013101	11	4					X			X		
(H12XL)	1258-01	Tec. OH120-175007	12			X	X			X				
(H12XL)	1258-02	Tec. OH120-175007A	12			X	X			X				
(G12XL)	1261-01	Tec. OH120-175007	12	4				X		X				
(G12XL)	1261-02	Tec. OH120-175007A	12	4		X		X		X				
(H16XT)	1659-01	B & S 402437-013901	16			X	X			X				
(G16XL)	1661-02-03	Tec. OH160-170089B	16	4				X		X				
(G16XT)	1662-01	B & S 402437-013901	16	4				X		X				
(QT17)	1666-09-10	Kohler KT17QS-24152	17			X	X			X		X		
(H18XL)	1858-02	Tec. OH180-180002A	18			X	X			X				
(HT20D)	2289-01	Wis. WD2-860-095364-411	20			X	X			X				Diesel
(HT23)	2389-02	Kohler K582S-36272	23			X	X			X				
(G152/154)	TX 1300/F	Mitsubishi KE70-11GF	15	6					X			X		Diesel
(G172/174)	TX 1500/F	Mitsubishi KE75-11GF	17	6					X			X		Diesel
(G192/194)	TS 1910/F	Isuzu 2AA1	19	9					X			X		Diesel
(G242/244)	TS 2420/F	Isuzu 2AB1	24	18					X			X		Diesel
(G152/154)	TX1502/1504	Mitsubishi K3A-11A	15	6					X			X		Diesel
(G174)	TX 1704	Mitsubishi K3B-11B	17	6					X			X		Diesel
(G292/294)	TS2902/2904	Isuzu 3AA1	29	8					X			X		Diesel
<b>1982</b>														
(LT8E)	814-02	B & S 191707-565101	8	3					X			X		
(LT11)	1113-02	B & S 252707-018901	11	3					X			X		
(G11LT)	1011G-01	B & S 252707-022401	11	5					X			X		
(H11LT)	1011H-01	B & S 252707-022401	11			X						X		
(H16XT)	1659-01	B & S 402437-066601	16			X	X					X		
(G16XT)	1662-01	B & S 402437-066601	16	4				X				X		
(QT17)	1666-10	Kohler KT107QS-24197	17			X	X			X		X		
(G16X1)	1663-01	Tec. OH160-170089B	16	4				X		X				
(H16X1)	1664-01	Tec. OH160-170089B	16			X	X			X				
(G16YT)	2016G-01	B & S 402707-013801	16	5				X		X				
(HT23)	2389-02	Kohler K582S-36272	23			X	X			X				
(G152/154)	TX1502/1504	Mitsubishi K3A-11A	15	6					X			X		Diesel
(G174)	TX1704	Mitsubishi K3B-11B	17	6					X			X		Diesel
(G192/194)	TS1910/F	Isuzu 2AA1	19	9					X			X		Diesel
(G242/244)	TS2420/F	Isuzu 2AB1	24	18					X			X		Diesel
(G292/294)	TS2902/2904	Isuzu 3AA1	29	8					X			X		Diesel



**BOLENS TRACTOR MODELS AND SPECIFICATIONS (CONT'D)**

SALES DESCRIPTION	MODEL	ENGINE MODEL & TYPE	H.P.	TRANSMISSION					IGN.			REMARKS	
				SPEEDS	EATON 7	EATON 11	BOLENS	PEERLESS	ISEKI	SOLID STATE	BATTERY		FLYWHEEL MAG.
<b>1983</b>													
(G11LT)	1011G-02	B & S 252707-064001	11	5					X			X	
(H11LT)	1011H-02	B & S 252707-064001	11		X							X	
(1400G)	1463-01	Tec. OH140-160027C	14	4				X					
(QT17)	1666-10	Kohler KT17QS-24197	17		X	X		X		X			
(G16X1)	1663-01	Tec. OH160-170089B	16	4				X		X			
(H16X1)	1664-01	Tec. OH160-170089B	16		X	X		X		X			
(1600G)	1667-01	B & S 402437-066601	16	4				X		X			
(1600H)	1668-01	B & S 402437-066601	16		X	X		X		X			
(G16YT)	2016G-02	B & S 402707-013801	16	5				X		X			
(1700G)	5017G-01	Kohler KT17QS-24218	17	4				X			X		
(1700H)	5017H-01	Kohler KT17QS-24218	17		X	X				X	X		
(1900)	1966-02	Kohler KT19QS-49139	19		X	X				X	X		
(HT23)	2389-02	Kohler K582S-36272	23		X	X				X	X		
(G152/154)	TX1502/1504	Mitsubishi K3A-11A	15	6					X			X	Diesel
(G174)	TX1704	Mitsubishi K3B-11B	17	6					X			X	Diesel
(G192/194)	TS1902/1904	Isuzu 2AA1	19	9					X			X	Diesel
(G242/244)	TS2420/F	Isuzu 2AB1	24	18					X			X	Diesel
(G292/294)	TS2902/2904	Isuzu 3AA1	29	8					X			X	Diesel
(G272/274)	2702/2704	Isuzu 3AE1	27	8					X			X	Diesel
<b>1984</b>													
(ST 110)	3011G-01	B & S 253707-0144-01	11	5					X				
(1400G)	1463-02	Tec. OH140-160027C	14	4				X		X			
(1600G)	1667-02	B & S 402437-0666-01	16	4				X		X			
(1600H)	1668-02	B & S 402437-0666-01	16		X	X		X		X			
(G16YT)	2016-02	B & S 402707-0138-01	16	5				X		X			
(ST 160)	3016H-01	B & S 402707-0144-01	16		X			X		X			
(ST 160)	3016G-01	B & S 402707-0144-01	16	5				X		X			
(1700G)	5017G-02	Kohler KT17QS-24314	17	4				X			X		
(1700H)	5017H-02	Kohler KT17QS-24314	17		X	X				X	X		
(1900)	1966-03	Kohler KT19QS-49139	19		X	X				X	X		
(1900)	1966-03	Kohler KT19QS-49206	19		X	X				X	X		
(HT23)	2389S-01	Kohler K582S-36328	23		X	X				X	X		
(G152/154)	TX1502/1504	Mitsubishi K3A-11A	15	6					X			X	Diesel
(G174)	TX1704	Mitsubishi K3B-11B	17	6					X			X	Diesel
(G212/214)	2102/2104	Iseki E3AF1	21	8					X			X	Diesel
(G272/274)	2702/2704	Isuzu 3AE1	27	8					X			X	Diesel
(G292/294)	TS2902/2904	Isuzu 3AA1	29	8					X			X	Diesel
<b>1985</b>													
(ST 110)	3011H-01	B & S 253707-0144-01	11		X					X			
(ST 110)	3011G-02	B & S 253707-0144-01	11	5					X	X			
(1400G)	1463-03	Tec. OH140-160027C	14	4					X	X			
(1600G)	1667-03	B & S 402437-0700-01	16	4					X	X			
(1600H)	1668-03	B & S 402437-0700-01	16		X	X			X	X			
(ST 160)	3016H-02	B & S 402707-0160-01	16		X				X	X			
(ST 160)	3016G-02	B & S 402707-0160-01	16	5					X	X			
(1700G)	5017G-03	Kohler KT17QS-24314	17	4					X		X		
(1700H)	5017H-03	Kohler KT17QS-24314	17		X	X				X	X		
(1900)	1966-03	Kohler KT19QS-49206	19		X	X				X	X		
(1900H)	5019H-01	Kohler KT19QS-49226	19		X	X				X	X		
(HT23)	2389S-02	Kohler K582S-36328	23		X	X				X	X		
(G152/154)	TX1502/1504	Mitsubishi K3A-11A	15	6					X			X	Diesel
(G174)	TX1704	Mitsubishi K3B-11B	17	6					X			X	Diesel
(H174)	1704H	Mitsubishi K3B-11B	17						X			X	Diesel
(G212/214)	2102/2104	Iseki E3AF1	21	8					X			X	Diesel
(G272/274)	2702/2704	Isuzu 3AE1	27	8					X			X	Diesel
(G292/294)	TS2902/2904	Isuzu 3AA1	29	8					X			X	Diesel

## BOLENS TRACTOR MODELS AND SPECIFICATIONS (CONT'D)

SALES DESCRIPTION	MODEL	ENGINE MODEL & TYPE	H.P.	TRANSMISSION					IGN.			REMARKS	
				SPEEDS	EATON 7	EATON 11	BOLENS	PEERLESS	ISEKI	SOLID STATE	BATTERY		FLYWHEEL MAG.
<b>1986</b>													
(ST 110)	3011G-03	B & S 253707-0144-01	11	5				X		X			
(ST 110)	3211G-01	B & S 253707-0144-01	11	5				X		X			(1)
(ST 125G)	3012G-01	B & S 404707-0117-01	12	5				X		X			
(ST 125H)	3012H-01	B & S 404707-0117-01	12		X					X			
(1400G)	1467-01	B & S 400437-0122-01	14	4				X		X			
(1600H)	1668-04	B & S 402437-0700-01	16			X	X			X			
(ST 160)	3016H-03	B & S 402707-0160-01	16	5	X					X			
(ST 160)	3016G-02	B & S 402707-0160-01	16					X		X			
(GT 180)	3118G-01	B & S 422707-0150-01	18	4	X					X			
(1800H)	5018H-01	Kohler M18QS-24512	18			X	X				X		
(2000H)	5020H-01	Kohler M20QS-49508	20			X	X				X	X	
(HT23)	2389S-03	Kohler K582S-36272	23			X	X				X	X	
(G152)	TX1502	Mitsubishi K3A-11A	15	6					X			X	Diesel
(G174)	TX1704	Mitsubishi K3B-11B	17	6					X			X	Diesel
(H152)	1502H Hydro	Mitsubishi K3A-11A	15							X		X	Diesel
(H174)	1704H Hydro	Mitsubishi K3B-11B	17							X		X	Diesel
(G212/214)	2102/2104	Iseki E3AF1	21	12					X			X	Diesel
(G272/274)	2702/2704	Isuzu 3AE1	27	18					X			X	Diesel
<b>1987</b>													
(ST120)	3112G-01	B & S 281707-0127-01	12	5				X		X			
(ST120)	3212G-01	B & S 281707-0127-01	12	5				X		X			(1)
(ST125G)	3012G-02	B & S 404707-0117-01	12.5	5				X		X			
(ST125H)	3012H-02	B & S 404707-0117-01	12.5		X					X			
(1400G)	1467-01	B & S 400437-0122-01	14	4				X		X			
(1600H)	1668-04	B & S 402437-0700-01	16			X	X			X			
(1600G)	1667-03	B & S 402437-0700-01	16	4				X		X			
(ST160)	3016H-04	B & S 402707-0160-01	16	5	X					X			
(ST160)	3016G-04	B & S 402707-0160-01	16					X		X			
(GT180)	3118G-02	B & S 422707-0150-01	18	4	X					X			
(1800H)	5018H-01	Kohler M18QS-24512	18			X	X				X		
(2000H)	5020H-01	Kohler M20QS-49508	20			X	X				X	X	
(HT23)	2389S-04	Kohler K582S-36328	23			X	X				X	X	
(G152)	TX1502	Mitsubishi K3A-11A	15	6					X			X	Diesel
(G174)	TX1704	Mitsubishi K3B-11B	17	6					X			X	Diesel
(H152)	1502H Hydro	Mitsubishi K3A-11A	15							X		X	Diesel
(H174)	1704H Hydro	Mitsubishi K3B-11B	17							X		X	Diesel
(G212/214)	2102/2104	Iseki E3AF1	21	12					X			X	Diesel
(G272/274)	2702/2704	Isuzu 3AE1	27	18					X			X	Diesel

1 - This unit is equipped with a non-tilling transmission.

## SMALL FRAME (STAMPED) TRACTOR ATTACHMENT INTERCHANGEABILITY

MODEL	DESCRIPTION	510	610	613	813	G8	G8	LT8	LT8E	LT11
		510 -01 -02	610 -01 -02	613 -01 -02 -03	813 -01 -02 -03	813 -04 -05	813 -06 thru -09	812 -01 -02	814 -01 -02	1113 -01 -02
6888	String Trimmer .....			X	X	X	X		X	X
10771	Slicer Bar Kit (1720887) .....		X	X	X	X	X	X	X	X
15100	28" C. M. Mower .....	X								
15101	32" C. M. Mower .....		X	X	X*	X	X	1	1	
15102	42" Snow Plow .....	X	X	X	X	X	X	X	X	X
15103	Transport Lift Lever .....	X								
15104	32" Snow Caster .....		X	X	X	X	X	X	X	X
15105	Rear Wheel Weights .....	X	X	X	X	X	X			
15106	Speed Change Kit (1722995) .....		X	X	X	X	X			
15107	Dual Light Kit .....			X	X					
15108	38" C. M. Mower .....				X	X	X			
15110	Dump Cart (4.5 cu. ft.) .....	X	X	X	X	X	X	X	X	X
15114	38" C. M. Mower .....	NR	NR	NR	NR	NR	NR	X	X	X
15115	42" C. M. Mower .....							NR	NR	X
15116	Wheel Weights .....	X	X	X	X	X	X	X	X	X
15117	Light Kit (1725650) .....					X				
15118	Tire Chains (1738417) .....								X	
	(18 x 8.50 x 8)									
15119	Tire Chains (1738418) .....									X
	(18 x 9.50 x 8)									
15120	Running Board Kit (1742508) .....	X	X	X	X	X	X	X	X	X
15150	Vacuum Sweeper .....	X	X	X	X	X	X	X	X	X
15151	Hitch (f/15150) .....	X	X	X	X	X	X	X	X	X
15153	Mower Boot (f/15150 & 15100) .....									
15154	Mower Boot (f/15150 & 15101) .....									
15155	Mower Boot (f/15150 & 15108)									
15158	Hitch & Boot .....					X	X	X		
16050	Tire Chains .....		X	X		X	X			
	(16 x 6.50 x 8)									
16051	Tire Chains (1723180) .....				X			X		
	(16 x 7.50 x 8)									
16214	Tire Chains (1715616) .....	X								
	(4.80/4.00 x 8)									
18725	Light Kit (1737569) .....								X	

**X** - Will fit without changes

**NR** - Not recommended

**\*** - Use 1722406 Front Hitch (2)  
1722407 Rear Hitch (2)

**1** - Use only 15101 starting with  
serial number -07 and higher

**NOTE:** Check Accessory or Sales Price List for availability.

## SMALL FRAME TRACTOR ATTACHMENT INTERCHANGEABILITY

MODEL	DESCRIPTION	770	775	730	733	736	
		160	166	730	733	736	
		161	-01	-01	-01	-01	
		164	-02				
		165					
16007	Tire Chains (20 - 8.00 x 10) .....	X	X	X	X	X	
16442	3 Gang Mower Hitch .....	X	X	X	X	X	
18001	32" Rotary Mower .....	X	X	X	X	X	
18002	32" Snow Caster .....	X	X	X	X	X	
18003	42" Snow Plow .....	X	X	X	X	X	
18004	Dual Light Kit .....	1	X		X	X	
18005	Vacuum Sweeper .....	X	X	X	X	X	
18006	32" Rotary Mower .....	X	X	X	X	X	
18007	38" Rotary Mower .....	X	X	X	X	X	
18008	Cab .....	X	X	X	X	X	
18012	Rear Wheel Weights .....	X	X	X	X	X	
18481	Vac-Attachment .....	X	X	X	X	X	

**X - Will fit without changes**

**1 - Will fit on 161 and 165 only**

## LAWN KEEPER & ESTATE KEEPER ATTACHMENT INTERCHANGEABILITY

MODEL	DESCRIPTION	L.K.	L.K.	L.K.	L.K.	E.K.	E.K.	
		910	911	914	915	930	931	
		-01	-01	-01	-01	-01	-01	
		-02	-02	-02	-02	-02	-02	
					-03			
16010	Tire Chains .....	X		X				
16011	Tire Chains .....		X		X			
16050	Tire Chains .....					X	X	
16440	22" Trail, Gang Mower .....					X	X	
16441	2 Gang Mower Hitch .....					X	X	
16442	3 Gang Mower Hitch .....					X	X	
16460	42" Thatcher .....					X	X	
19101	28" Rotary Mower .....	X		X				
19102	32" Rotary Mower .....		X		X			
19104	Trans. Lift Kit .....	X	X	X	X			
19105	36" Snow Plow .....	X	X	X	X			
19106	Elec. Starter Kit .....		X		X			
19107	28" Rotary Mower .....			X				
19108	32" Rotary Mower .....				X			
19301	30" Reel Mower .....					X	X	
19302	32" Snow Caster .....					X	X	
19303	32" Rotary Mower .....					X	X	
19304	38" Snow Plow .....					X	X	
19305	Rear Weight .....					X	X	
19306	Spring Assist Kit .....					X	X	
19307	38" Rotary Mower .....					X	X	
19310	Thatcher Kit .....					X	X	
19311	30" Reel Mower .....					X	X	
19312	32" Snow Caster .....					X	X	
19313	Driveshaft .....					X	X	
19314	38" Snow Plow .....					X	X	
19342	42" Rotary Mower .....					X	X	
19700	Cab .....					X	X	
19701	Cab .....					X	X	

## TUBE FRAME (TUBULAR) TRACTOR ATTACHMENT INTERCHANGEABILITY

MODEL	DESCRIPTION	750	600	600	600	600	650	800	900	1000
		171	180	180	181	181	184	186	188	190
		-01	-01	-03	-01	-03	-01	-01	01-02	-01
		172	-02	-04	-02	-04	185	187	189	
		-01					-01	-01	01-02	
16165	Wheel Weights .....	X	X	X	X	X	X	X	X	
16167	Wheel Weights .....	X	X	X	X	X	X	X	X	X
16168	Rear Wheel Weights .....	X	X	X	X	X	X	X		
16215	Tire Chains 6-12 .....	X	X	X	X	X	X		9	
16217	Tire Chains 8-12 (1716190) .....								10	X
16442	3 Gang Mower Hitch .....	X	X	X	X	X	X	X	X	X
16443	5 Gang Mower Hitch .....	X	X	X	X	X	X	X	X	X
16620	Hush Tone Muffler .....									
16621	Hush Tone Muffler .....									
18123	Cultivator Attachment .....	X	X	X	X	X	X	X	X	X
18200	Backrest Assembly .....	X	X	X	X	X	X	X	X	
18201	Lighting Kit .....	8	X	X			3	7	10	X
18219	8" Plow Attachment .....	X	X	X	X	X	X	X	X	X
18255	8" Blade Disc Harrow .....	X	X	X	X	X	X	X	X	X
18410	Thatcher Hitch .....	X	X	X	X	X	X	X	X	X
18415	38" C. M. Mower .....	NR	NR	NR	NR	NR	NR	X	X	X
18416	38" C. M. Mower .....	NR	NR	NR	NR	NR	NR	X	X	X
18417	38" C. M. Mower .....	NR	NR	NR	NR	NR	NR	6	6	6
18418	38" C. M. Mower .....	NR	NR	NR	NR	NR	NR	11	11	11
18420	42" C. M. Mower .....	NR	NR	NR	NR	NR	NR	NR	NR	X
18421	42" C. M. Mower .....	NR	NR	NR	NR	NR	NR	NR	NR	X
18422	42" C. M. Mower .....	NR	NR	NR	NR	NR	NR	NR	NR	6
18423	42" C. M. Mower .....	NR	NR	NR	NR	NR	NR	NR	NR	11
18425	Hitch Kit (f/18417) .....									
18426	E-Z Rake Vacuum .....									
18440	32" C. M. Mower .....	1	X	X	X	X	1	1	1	1
18441	32" C. M. Mower .....	2	2	X	2	X	X	X	X	X
18442	32" C. M. Mower .....	X	4	5	4	5	X	X	X	X
18445	32" C. M. Mower .....	NR	X	X	X	X	NR	NR	NR	NR
18446	38" C. M. Mower .....	NR	NR	NR	NR	NR	NR	X	X	NR
18449	38" C. M. Mower .....	NR	NR	NR	NR	NR	NR	X	X	X
18457	42" C. M. Mower .....	NR	NR	NR	NR	NR	NR	NR	NR	X
18458	Wheel Kit (f/18457) .....									
18478	Flexible (f/18441 & 18442) .....	X	X	X	X	X	X	X	X	X
18479	Flexible Hitch (f/18449) .....							X	X	X
18480	Flexible Hitch (f/18457) .....									X
18513	32" Snow Blower .....	X	X	X	X	X	X	X	X	
18514	32" Snow Blower .....	X	X	X	X	X	X	X	X	
18516	36" Snow Blower .....	X	NR	NR	NR	NR	X	X	X	X
18520	Spring Assist Kit .....	X	X	X	X	X	X	X	X	X

**X - Will fit without changes**

**NR - Not recommended**

**1 - Req. 1714890 Uni. Joint Ass'y**

**2 - Req. 1716658 kit**

**3 - 185-01 only**

**4 - Req. 1716658 kit plus 3" shorter driveshaft**

**5 - Req. 3" shorter driveshaft**

**6 - See page 39, footnote 2, for Req.**

**7 - 187-01 only**

**8 - 172-01 only**

**9 - 188 only**

**10 - 189 only**

**11 - Req. 1722848 & 1722848 pins**

**TUBE FRAME (TUBULAR) TRACTOR ATTACHMENT INTERCHANGEABILITY (Con't)**

MODEL	DESCRIPTION	750	600	600	600	600	650	800	900	1000
		171 -01 172 -01	180 -01 -02	180 -03 -04	181 -01 -02	181 -03 -04	184 -01 185 -01	186 -01 187 -01	188 01-02 189 01-02	190 -01
18523	Cab .....								12	X
18531	42" Grader Blade .....	X	X	X	X	X	X	X	X	X
18532	42" Grader Blade .....	X	X	X	X	X	X	X	X	X
18538	38" Snow Thrower .....	X					X	X	X	X
18608	22" Rotary Tiller .....	X	13	13	13	13	X	X	X	X
18609	22" Rotary Tiller .....	X	X	X	X	X	X	X		
18610	22" Rotary Tiller (use 18612) .....	X						X	X	X
18611	Tiller Driveshaft .....		X	X	X	X				
18612	Tiller Driveshaft .....							X	X	X
	(f/18610 & 18616)									
18614	25" Tiller Attachment .....							X	X	X
18615	8" Hood & Tine Extension .....							X	X	X
	(f/18614 Tiller)									
18616	25" Tiller Attachment .....							X	X	X
	(Req. 18612)									
18617	8" Hood & Tine Extension .....								X	X
	(f/18616 Tiller)									
18700	Tractor Cab .....	X	X	X	X	X	X	X		
18701	Ammeter Kit .....		X	X	X	X		X		
18702	Tractor Cab .....	X	X	X	X	X	X	X	X	
18703	Hydraulic Lift .....							X	X	X
18704	Front PTO .....	X	X	X	X	X	X	X	X	X
18705	Tractor Cab .....	X	X	X	X	X	X	X	X	X
18706	Tractor Cab .....						X			
18707	Tractor Cab .....	X	X	X	X	X	X	X	X	X
18708	Tractor Cab .....	X	X	X	X	X	X	X	X	X
18709	Hydraulic Lift .....								X	X
18710	Electric Starter Kit .....	X			X	X	X	X	X	X
18720	Electric Light Kit .....	X			X	X	X		X	X
18721	Dual Light Kit .....						X			
18827	Dual Wheel Kit .....	X	X	X	X	X	X	X	9	
18837	8" Hood & Tine Extension .....	X	X	X	X	X	X	X	X	
	(f/18608, 18609 & 18610)									
18905	Front PTO Kit .....	X	X	X	X	X	X	X	X	X
18907	Brinly Rear Attachment Kit .....	X	X	X	X	X	X	X	X	X
	(f/18908, 18911, 18923, 18955)									
18908	Brinly 8" Plow (Req. 18907) .....	X	X	X	X	X	X	X	X	X
18910	Brinly 10" Plow (Req. 18907) .....									X
18923	Brinly Cultivator (Req. 18907) .....	X	X	X	X	X	X	X	X	X
18955	Brinly Disc Harrow (Req. 18907) .....	X	X	X	X	X	X	X	X	X
21740	Wheel Weights .....	X	X	X	X	X	X	X	X	X
21741	Front Wheel Weights .....	X	X	X	X	X	X	X	X	X
21832	32" Lawn Roller .....	X	X	X	X	X	X	X	X	X

12 - 189 only

13 - Req. 1713549 driveshaft

NOTE: Check Accessory or Sales Price List for availability.

**TUBE FRAME (TUBULAR) TRACTOR ATTACHMENT INTERCHANGEABILITY (Con't)**

MODEL	DESCRIPTION	850	1050	1220	1225	853	G9	1053	1053	1054	G10	G11
		191 -01 -02	192 -01 -02	193 -01	194 -01	853 -01 -02 -03	855 -01 -02	1053 -01	1053 -02	1054 -01 thru -04	1055 -01 -02 -03	1155 -01
16165	Wheel Weights .....											
16167	Wheel Weights .....	X	X	X	X	X	X	X	X	X	X	X
16168	Rear Wheel Weights .....					X	X				X	X
16215	Tire Chains 6-12 .....											
16217	Tire Chains (1716190) .....	X	X	X	X	X	X	X	X	X	X	X
16219	Tire Chains (1721585)											
16442	3 Gang Mower Hitch .....	X	X	X	X	X	X	X	X	X	X	X
16443	5 Gang Mower Hitch .....	X	X	X	X	X	X	X	X	X	X	X
16620	Hush Tone Muffler .....		X		X			X	X	X		
16621	Hush Tone Muffler .....			X								
18123	Cultivator Attachment .....	X	X	X	X	X	X	X	X	X	X	X
18200	Backrest Assembly .....											
18201	Lighting Kit .....											
18219	8" Plow Attachment .....	X	X	X	X	X	X	X	X	X	X	X
18255	8 Blade Disc Harrow .....	X	X	X	X	X	X	X	X	X	X	X
18410	Thatcher Hitch .....	X	X	X	X	X	X	X	X	X	X	X
18415	38" C.M. Mower .....	X	X	X	X	X	X	X	X	X	X	X
18416	38" C.M. Mower .....	X	X	X	X	X	X	X	X	X	X	X
18417	38" C.M. Mower .....	2	2	2	2	2	2	4	X	2	2	2
18418	38" C.M. Mower .....	5	5	5	5	X	X	X	X	X	X	X
18420	42" C.M. Mower .....	NR	X	X	X	NR	NR	X	X	X	NR	NR
18421	42" C.M. Mower .....	NR	X	X	X	NR	NR	X	X	X	NR	NR
18422	42" C.M. Mower .....	NR	2	2	2	NR	NR	4	X	X	NR	NR
18423	42" C.M. Mower .....	NR	5	5	5	NR	NR	X	X	X	NR	NR
18425	Hitch Kit (f/18417) .....											
18440	32" C.M. Mower .....	1	1	1	NR	1	1	1	1	1	1	1
18441	32" C.M. Mower .....	X	3	3	NR	3	3	3	3	3	3	3
18442	32" C.M. Mower .....	X	X	X	NR	X	X	X	X	X	X	X
18445	32" C.M. Mower .....	NR	NR	NR	NR	NR	NR	NR	NR	NR	NR	NR
18446	38" C.M. Mower .....	NR	NR	NR	NR	NR	NR	NR	NR	NR	NR	NR
18449	38" C.M. Mower .....	X	X	X	NR	X	X	X	X	X	X	X
18457	42" C.M. Mower .....	NR	X	X	NR	NR	NR	X	X	X	NR	NR
18458	Wheel Kit (f/18457) .....											
18478	Flexible Hitch .....	X	X	X	X	X	X	X	X	X	X	X
	(f/18441 & 18442)											
18479	Flexible Hitch (f/18449) .....	X	X	X		X	X	X	X	X	X	X
18480	Flexible Hitch (f/18457) .....		X	X				X	X	X	X	X
18513	32" Snow Blower .....											
18514	32" Snow Blower .....											
18516	36" Snow Blower .....	X	X	X	X	X	X	X	X	X	X	X
18520	Spring Assit Kit .....	X	X	X	X	X	X	X	X	X	X	X
18523	Cab .....	X	X	X	X	X	X	X	X	X	X	X
18526	Spacer Kit .....											
18531	42" Grader Blade .....	X	X	X	X	X	X	X	X	X	X	X
18532	42" Grader Blade .....	X	X	X	X	X	X	X	X	X	X	X
18538	Snow Blower .....	X	X	X	X	X	X	X	X	X	X	X
18608	22" Rotary Tiller .....	X	X			X	X	X	X	X	X	X
18610	22" Rotary Tiller (Req. 18612) ...	X	X			X	X				X	X



## TUBE FRAME (TUBULAR) TRACTOR ATTACHMENT INTERCHANGEABILITY (Con't)

MODEL	DESCRIPTION	850	1050	1220	1225	853	G9	1053	1054	G10	G11
		191 -01 -02	192 -01 -02	193 -01	194 -01	853 -01 -02 -03	855 -01 -02	1053 -01 -02	1054 -01 -02 thru -04	1055 -01 -02 -03	1155 -01
18612	Tiller Driveshaft . . . . . (f/18610 & 18616)	X	X			X	X			X	X
18614	25" Tiller Attachment . . . . .	X	X	X	X	X	X	X	X		
18615	8" Hood & Tine Extension . . . . . (f/18614)	X	X	X	X	X	X	X	X		
18616	25" Tiller Attachment . . . . . (Req. 18612)	X	X	X	X	X	X	X	X	X	X
18617	8" Hood & Tine Extension . . . . . (f/18616 & 18618)	X	X	X	X	X	X	X	X	X	X
18618	33" Tiller Attachment . . . . .		X	X	X	X	X	X	X	X	X
18702	Tractor Cab . . . . .										
18703	Hydraulic Lift . . . . .	X	X	X		X		X	X	6	X
18704	Front PTO . . . . .	X	X	X	X	X	X	X	X	X	X
18705	Tractor Cab . . . . .	X	X	X		X	X	X	X	X	X
18706	Tractor Cab . . . . .	X				X	X				
18707	Tractor Cab . . . . .	X	X	X	X	X	X	X	X	X	X
18708	Tractor Cab . . . . .	X	X	X	X	X	X	X	X	X	X
18709	Hydraulic Lift . . . . .	X	X	X		X	X	X	X		X
18710	Electric Starter Kit . . . . .										
18720	Electric Starter Kit . . . . .										
18721	Dual Light Kit . . . . .	X				X			X	X	X
18722	Dual Light Kit . . . . .								X	X	X
18723	Tail Light Kit . . . . .										
18727	Dual Wheel Kit . . . . .										
18837	8" Tine & Hood Extension . . . . . (f/18608, 18609, & 18610)							X	X	X	X
18905	Front PTO Kit . . . . .	X	X	X	X	X	X	X	X	X	X
18907	Brinly Rear Attachment Hitch . . . . . (f/18908, 18911, 18923, 18955)	X	X	X	X	X	X	X	X	X	X
18908	Brinly 8" Plow (Req. 18907) . . . . .	X	X	X	X	X	X	X	X	X	X
18910	Brinly 10' Plow (Req. 18907) . . . . .	X	X	X	X	X	X	X	X	X	X
18911	Brinly 12" Plow (Req. 18907) . . . . .		X	X	X			X	X		
18923	Brinly Cultivator (Req. 18907) . . . . .	X	X	X	X	X	X	X	X	X	X
18955	Brinly Disc Harrow (Req. 18907) . . . . .	X	X	X	X	X	X	X	X	X	X
19214	Tail Light Kit . . . . .									X	X
21740	Wheel Weight . . . . .	X	X	X	X	X	X	X	X	X	X
21741	Front Wheel Weight . . . . .	X	X	X	X	X	X	X	X	X	X
21832	32" Lawn Roller . . . . .	X	X	X	X	X	X				

- 1 - Req. 1714890 Uni. Joint Assembly
- 2 - Req. 1 - 1722455 Link
- 2 - 1703011 Spring Cotter
- 1 - 1722454 Control Link
- 4 - 1100350 Cotter Pin
- 8 - 1106876 HHCS (5/16-18 x 7/8)
- 8 - 1182563 Hex Nut (5/16-18)
- 1 - 1720492 Lift Arm Assembly
- 1 - 1720493 Lift Arm Assembly
- 8 - 1100242 Lock Washer (5/16")
- 8 - 1100255 Flat Washer (5/16")

- 3 - Req. 17165309 Uni. Joint Assembly
- 4 - Req. Parts in "2" for 1053-01  
Will fit without changes in 1053-02
- 5 - Req. 1722848 & 1722849 pins
- 6 - 1055-01 or 02 require 1731271 engine sheave

X - Will fit without changes  
 NR - Not Recommended

NOTE: Check Accessory or Sales Price List for availability.

**TUBE FRAME (TUBULAR) TRACTOR ATTACHMENT INTERCHANGEABILITY (Con't)**

MODEL	DESCRIPTION	1253	1254	G12	1256	1256	1257	G14	H14	1556	H16
		1253 -01 -02	1254 -01 thru 06	1255 -01	1256 -01	1256 -02 thru -07	1257 -01	1453 -01 thru -05	1456 -01 -02 -03	1556 -01 -02 -03	1656 -01 -02 -03 -04
16167	Wheel Weights .....	X	X	X	X	X	X	X	X	X	X
16217	Tire Chains 8-12 (1716190) .....	X			X		X			X	X
16219	Tire Chains (1721585) .....		X	X		X		X	X	X	X
	(23 x 10.50 x 12)										
16442	3 Gang Mower Hitch .....	X	X	X	X	X	X	X	X	X	X
16443	5 Gang Mower Hitch .....	X	X	X	X	X	X	X	X	X	X
16620	Hush Tone Muffler .....			X	X	X					
16621	Hush Tone Muffler Kit .....	X					X			X	
18123	Cultivator Attachment .....	X	X	X	X	X	X	X	X	X	X
18219	8" Plow Attachment .....	X	X	X	X	X	X	X	X	X	X
18255	8 Blade Disc Harrow .....	X	X	X	X	X	X	X	X	X	X
18410	Thatcher Hitch .....	X	X	X	X	X	X	X	X	X	X
18415	C.M. Mower .....	X	X	X	5	5	5	X	5	5	5
18416	38" C.M. Mower .....	X	X	X	5	5	5	X	5	5	5
18417	38" C.M. Mower .....	4	2	2	X	2	X	2	2	2	2
18418	38" C.M. Mower .....	X	X	X	X	X	X	X	X	X	X
18420	42" C.M. Mower .....	X	X	X	5	5	5	X	5	5	5
18421	42" C.M. Mower .....	X	X	X	5	5	5	X	5	5	5
18422	42" C.M. Mower .....	4	2	2	X	2	X	X	2	2	2
18423	42" C.M. Mower .....	X	X	X	X	X	X	X	X	X	X
18425	Hitch Kit (f/18417 & 1453)										
18440	32" C.M. Mower .....	1	1	1	NR	NR	NR	1	NR	NR	NR
18441	32" C.M. Mower .....	3	3	3	NR	NR	NR	3	NR	NR	NR
18442	32" C.M. Mower .....	X	X	X	NR	NR	NR	X	NR	NR	NR
18445	32" Mower .....	NR	NR	NR	NR	NR	NR	NR	NR	NR	NR
18446	38" C.M. Mower .....	NR	NR	NR	NR	NR	NR	NR	NR	NR	NR
18449	38" C.M. Mower .....	X	X	X	NR	NR	NR	X	NR	NR	NR
18457	42" C.M. Mower .....	X	X	X	NR	NR	NR	X	NR	NR	NR
18458	Wheel Kit (f/18457) .....							X			
18478	Flexible Hitch .....	X	X	X				X			
	(f/18441 & 18442)										
18479	Flexible Hitch (f/18449) .....	X	X	X				X			
18480	Flexible Hitch (f/18457) .....	X	X	X				X			
18516	36" Snow Thrower .....	X	X	X	X	X	X	X	X	X	X
18520	Spring Assist Kit .....	X	X	X				X			
18523	Cab .....	X	X	X	X	X	X	X	X	X	X
18526	Spacer Kit .....				X	X	X		X		X
18531	42" Grader Blade .....	X	X	X	X	X	X	X	X	X	X
18532	42" Grader Blade .....	X	X	X	X	X	X	X	X	X	X
18538	38" Snow Thrower .....	X	X	X	X	X	X	X	X	X	X
18608	22" Rotary Tiller .....										
18612	Tiller Driveshaft .....										
	(f/18610 & 18618)										
18614	25" Tiller Attachment .....	X	X	X	X	X	X	X	X	X	X

**TUBE FRAME (TUBULAR) TRACTOR ATTACHMENT INTERCHANGEABILITY (Con't)**

MODEL	DESCRIPTION	1253	1254	G12	1256	1257	G14	H14	1556	H16
		1253 -01	1254 -01 thru -06	1255 -01 -02	1256 -01 thru -07	1257 -01	1453 -01 thru -05	1456 -01 -02 -03	1556 -01 -02 -03	1656 -01 -02 -03 -04
18615	8" Hood & Tine Extension (f/18614) .....	X	X	X	X	X	X	X	X	X
18616	25" Tiller Attachment (Req. 18612) .....	X	X	X	X					
18617	8" Hood & Tine Extension (f/18616 & 18618) .....	X	X	X	X	X	X	X	X	X
18618	33" Tiller Attachment .....	X	X	X	X	X	X	X	X	X
18703	Hydraulic Lift .....	X	X	X			X			
18704	Front PTO .....	X	X	X	X	X	X	X	X	X
18705	Tractor Cab .....	X	X	X			X			
18707	Tractor Cab .....	X	X	X	X	X	X	X	X	X
18708	Tractor Cab .....	X	X	X	X	X	X	X	X	X
18709	Hydraulic Lift Kit .....	X	X	X			7			
18721	Dual Light Kit .....			X						
18722	Tail Light Kit .....									
18723	Tail Light Kit .....			X			X	X		6
18837	8" Tine & Hood Extension (f/18608, 18609 & 18610) .....									
18905	Front PTO Kit (540 RPM) .....	X	X	X	X	X	X	X	X	X
18907	Brinly Rear Attachment Hitch (f/18908, 18911, 18923 & 18955) .....	X	X	X	X	X	X	X	X	X
18908	Brinly 8" Plow (Req. 18907) .....	X	X	X	X	X	X	X	X	X
18910	Brinly 10" Plow (Rew. 18907) .....	X	X	X	X	X	X	X	X	X
18911	Brinly 12" Plow (Req. 18907) .....	X	X		X	X	X	X	X	X
18923	Brinly Cultivator (Req. 18907) .....	X	X	X	X	X	X	X	X	X
18955	Brinly Disc Harrow (Req. 18907) .....	X	X	X	X	X	X	X	X	X
19214	Tail Light Kit .....			X			X	X		X
21740	Wheel Weight .....	X	X	X	X	X	X	X	X	X
21741	Front Wheel Weight .....	X	X	X	X	X	X	X	X	X

**X - Will fit without changes**  
**NR - Not Recommended**

- 1 - Req. 1714890 Uni. Joint Assembly
- 2 - See page 39, footnote 2, for Req.
- 3 - Req. 1716309 Uni. Joint
- 4 - Req. parts in "2" for 1253-01 will fit without changes on 1253-02
- 5 - Req. 1722454 & 1722455 links
- 6 - Will fit 1656-02 through -04
- 7 - Will not fit with Ag tires

**NOTE: Check Accessory or Sales Price List for availability.**

## MEDIUM FRAME SERIES TRACTOR ATTACHMENT INTERCHANGEABILITY

MODEL	DESCRIPTION	H11XL	G11XL	GIIXL	H12XL	G12XL	H14XL	GT14	GT14
		1058 -01-02	1060 -01-02	1160 -01-02	1258 -01-02	1261 -01-02	1458 -01-02	1460 01	1460 02
6888	String Trimmer .....	X	X	X	X	X	X	X	X
16167	Rear Wheel Weights .....	X	X	X	X	X	X	X	X
16168	Rear Wheel Weights .....	X	X	X	X	X	X	X	X
16217	Tire Chains (1716190) .....	X	X						
16219	Tire Chains (1721585) .....			X	X	X	X	X	X
16465	Dump Cart (10.0 cu. ft.)	NR	NR	NR	NR	X	X	X	X
16466	Dump Cart (7.5 cu. ft.) .....	X	X	X	X	X	X	X	X
18029	Front Wheel Wgts. ....	X	X	X	X	X	X	X	X
18096	Hour Meter Kit (1734857) .....	X	X	X	X	X	X		X
18106	Opt. Armrest Kit (1734890) ...						5		X
18300	42" Side Discharge Mower ...	X	X	X	X	X	X	X	X
18301	48" Side Discharge Mower ...					14	X	X	X
18305-01	42" Snow Plow/Grader Blade							X	
18305-02-03	42" Snow Plow/Grader Blade	X	X	X	X	X	X	X	X
18309	PTO Drive Assembly .....							1	
18309-02	PTO Drive Assembly (use with 18311 & 18315-02/05) (10) ....	2	2	2	2	2	X		X
18309-04-05	PTO Drive Assy. (use with 18311 & 18315-02/05) (10) ....	7	7	7	7	7	7		
18311-01	38" Snow Caster .....							X	
	(with 18309-01 PTO)								
18311-02 thru 04	38" Snow Caster .....	X	X	X	X	X	X	3	X
	(Req. 18309-02,-04)								
18314	Snow Caster Shoe Kit (use only with 18311-03-04) .....	X	X	X	X	X	X		X
18315-01	33" Tiller Attachment (11) (12)							X	
18315-02	33" Tiller Attachment .....								X
18315-03	33" Tiller Attachment (Req. 18309-02/05 & 18340) (11) ....	X			X		X		
18315-04-05	33" Tiller Attachment .....	X	X	X	X	X	X		
	(Req. 18309-02-05) (11) (13)								
18318	PTO Drive Assy. (use with 18311, 18315 & 18322) (9) (11)				X	X	8		
18320-01	Hood & Tine Ext. ....							X	
18320-02-03	Hood & Tine Ext. (6) .....	X	X	X	X	X	X		X
18322	33" Tiller (Req. 18318) (10) ...	8	8	8	X	X	8		
18325-01	Electric Lift Kit .....							X	
18325-02	Electric Lift Kit .....							X	X
18325-03	Electric Lift Kit .....		X	X		X		4	4
18326-01	Cruise Control (1739017) .....	X			X		X		
18326-02	Cruise Control (1746636) .....	20			20		20		
18327	Hydraulic Lift Kit (1734550) ...	X			X				
18330-01	Sleeve Hitch Kit (Lift rod & fixed lift arm) .....							15	15
18330-02	Sleeve Hitch Kit (bolt on lift arm & lift cable) (19) .....	15			15		15		
18330-03	Sleeve Hitch Kit (lift cable & bolt on lift arm) (13) .....	15	15	15	15	15	15		
18335	42" Rear Discharge Mower ...	X	X	17	17	17	X	X	X
18336	48" Rear Discharge Mower ...					21	X	X	X
18338	48" Side Discharge Mower ...						X	X	X
18340	Rear Attach. Hitch Kit (18) ....	X	X	X	X	X	X		

**MEDIUM FRAME SERIES TRACTOR ATTACHMENT INTERCHANGEABILITY (Con't)**

MODEL	DESCRIPTION	H11XL	G11XL	G11XL	H12XL	G12XL	H14XL	GT14	GT14
		1058 -01-02	1060 -01-02	1160 -01-02	1258 -01-02	1261 -01-02	1458 -01-02	1460 01	1460 02
						1400G 1463 01	03		
18532	42" Snow Plow/Grader Blade (Req. 18733)	X	X	X	X	X	X		X
18538	38" Snow Thrower ..... (Req. 18539 & 18309 PTO)	X	X	X	X	X	X		X
18539	Snow Thrower Adapter Kit ... .. (Use with 18538) (Req. 18309) ..	X	X	X	X	X	X		X
18607	Tiller Adapter Kit (Use with 18616 & 18618) (Req. 18309)	X	X	X	X	X	X	16	16
18616	25" Tiller (Req. 18607) .....	X	X	X	X	X	X	16	16
18618	33" Tiller (Req. 18607) .....	X	X	X	X	X	X	16	16
18723	Dual Tail Light Kit (1734856)				X	X	X	X	X
18724	Head & Tail Light Kit (1734616) ..	X	X						
18733	Blade Adapter Kit..... (Use with 18532)	X	X	X	X	X	X		X
18908	8" Moldboard Plow (Req. 18330) .....	X	X	X	X	X	X	X	X
18910	10" Moldboard Plow (Req. 18330) .....	NR	NR	NR	X	X	X	X	X
18911	12" Moldboard Plow (Req. 18330) .....								
18923	Cultivator w/Shovels .....	X	X	X	X	X	X	X	X
	(Req. 18330)								
18955	Disc Harrow - 8 Blade..... (Req. 18330)	X	X	X	X	X	X	X	X
19222	Mech. Blade Angling Kit..... (Use with 18305)	X	X	X	X	X	X	X	X
19708	Cab.....	X	X	X	X	X	X	X	X
21741	Front Wheel Weights .....	X	X	X	X	X	X	X	X
30902	Wheel Weight Kit (Pr.) 100# .. ..					X			
50930	Cab (Hard Top).....	X	X	X	X	X	X		
50966	Vacuum (Req. 18029) .....	22	22	22	22	22	22	22	22

**NOTE: CHECK ACCESSORY OR SALES PRICE LISTS FOR AVAILABILITY.**

**X - Will fit without changes.**

**NR - Not Recommended**

- 1 - Sold as part of tiller & snow caster. Use with any snow caster, 18315-01 tiller or any other tiller with 18315-01 driveshaft (1726891) (51-3/16").
- 2 - Req. relocate pin in front bolster to higher position.
- 3 - Req. 18309 PTO originally sold with 18311-01 snow caster.
- 4 - Decal change required, order 1729314.
- 5 - Fits 1458-02 & 03 only.
- 6 - For use with 18325-01 tiller attachment. Clevis pin 1732053 & 1732481 hub assy. Replace parts 1706419 & 1729543 assy.
- 7 - 1058-02, 1060-02, 1463 & 1458-02, relocate upper pin to lower hole.
- 8 - Req. front bolster 1738561 & front belt drive 1740023.
- 9 - 18315 tiller Req. 1738559 driveshaft (50-1/16").
- 10 - 18309-02/05 can be used with 18322 if driveshaft 1733911 is ordered. (54-5/16")
- 11 - 18318 can be used with 18315 if driveshaft 1738559 is ordered.
- 12 - Includes 18309.
- 13 - Includes 18340 (1733854 & 1733855) hitch arms.
- 14 - Use with 1463 only.
- 15 - Use with 18908, 18910, 18911, 18923 & 18955.
- 16 - Extra holes in rear of frame required.
- 17 - 18335-02 requires 1726701 belt.
- 18 - Consisted of 1733854 & 1733755 Hitch Arm Assemblies.
- 19 - Requires 18340 Hitch Kit.
- 20 - Requires brake pedal 1738449.
- 21 - Use 1739080 belt (78.8) 1453 only.
- 22 - Purchase from Perco Co. 1-800-438-5823

**MEDIUM FRAME SERIES TRACTOR ATTACHMENT INTERCHANGEABILITY (Con't)**

MODEL	DESCRIPTION	G14XL	H16XL	HI6XT	G16XL	G16XT	G16X1	G16X1	G18XL
		1461 01-02	1658 01-02	1659 01 1600H 1668	1661 01-02 03	1662 1600G 1667 1400H 1467	1663 01-02	1664 01-02	1858 01-02
6888	String Trimmer .....	X	X	X	X	X	X	X	X
16167	Rear Wheel Weights .....	X	X	X	X	X	X	X	X
16168	Rear Wheel Weight (Ea.) .....	X	X	X	X	X	X	X	X
16219	Tire Chains (1721585) .....	X	X	X	X	X	X	X	X
16465	Dump Cart (10.0 cu. ft.) .....	X	X	X	X	X	X	X	X
16466	Dump Cart (7.5 cu. ft.) .....	X	X	X	X	X	X	X	X
18029	Front Wheel Weights (Pr.) .....	X	X	X	X	X	X	X	X
18300	42" Side Discharge Mower .....	X	X	6	X	6	X	X	X
18301	48" Side Discharge Mower .....	X	X	7	X	7	X	X	X
18305-02-03	42" Snow Plow/Grader Blade .....	X	X	X	X	X	X	X	X
18309-02	PTO Drive Assy. (use with 18311	1	1	1	1	1	1	1	1
18309-04-05	& 18315-02-05) (9) .....								
18311-02	PTO Drive Assy. (use with 18311	3	3	3	3	3	3	3	3
thru 05	& 18315-02/05) (9) .....								
18314	38" Snow Thrower	X	X	X	X	X	X	X	X
18315-03	(Req. 18309-02, -04) .....								
18315-04-05	Snow Thrower Shoe Kit (use	X	X	X	X	X	X	X	X
18315-03	only with 18311-03-04) .....								
18315-04-05	33" Tiller Attachment (Req.	X	X	X	X	X	X	X	X
18318	18309-02/05 & 18340) (10) ....								
18320-02-03	33" Tiller Attachment .....	4	4	8	4	8	X	X	X
18322	(Req. 18309-02/05) (10) (12) ...								
18325-02	PTO Drive Assy. (use with .....	X	X	X	X	X	X	X	X
18325-03	18311, 18315 & 18322) (5) (10)								
18326-01	Hood & Tine Ext. ....	4	4	X	4	X	X	X	X
18326-02-03	33" Tiller (Req. 18318) (10) ....								
18327	Electric Lift Kit .....	X	X	X	X	X	X	X	X
18330-02	Electric Lift Kit .....								
18326-01	Cruise Control (1739017) .....	X	X	X	X	X	X	X	X
18326-02-03	Cruise Control (1746636) .....								
18327	Hydraulic Lift Kit .....	14	14	13	13	13	13	13	13
18330-02	Sleeve Hitch Kit (bolt on lift arm								
18330-03	& lift cable) (16) .....	14	14	14	14	14	14	14	14
18335	Sleeve Hitch Kit (lift cable & bolt								
18336	on lift arm) (12) .....	15	15	6	15	6	15	15	15
18338	42" Rear Discharge Mower .....								
18340	48" Rear Discharge Mower .....	X	X	7	X	7	X	X	X
18346	48" Side Discharge Mower .....								
18532	Rear Attach. Hitch Kit (2) .....	X	X	X	X	X	X	X	X
18538	Adapter Kit w/Push Arm								
18539	(f/50146) .....	X	X	X	X	X	X	X	X
18607	42" Snow Plow/ Grader Blade								
18616	(Req. 18733) .....	X	X	X	X	X	X	X	X
18618	38" Snow Thrower (Req. 18539								
18618	& 18309 PTO) .....	X	X	X	X	X	X	X	X
18618	Snow Thrower Adapter Kit								
18618	(NLA) (use with 18538) .....	X	X	X	X	X	X	X	X
18618	Tiller Adapter Kit (use with								
18618	18616 & 18618) .....	X	X	X	X	X	X	X	X
18618	25" Tiller (Req. 18607) .....								
18618	33" Tiller (Req. 18607) .....	X	X	X	X	X	X	X	X
18618	33" Tiller (Req. 18607) .....								

## MEDIUM FRAME SERIES TRACTOR ATTACHMENT INTERCHANGEABILITY (Con't)

MODEL	DESCRIPTION	G14XL 1461 01-02	H16XL 1658 01-02	HI6XT 1659 01	G16XL 1661 01-02 03	G16XT 1662 1600G 1667 1400H 1467	G16X1 1663 01-02	G16X1 1664 01-02	G18XL 1858 01-02		
		18723	Dual Tail Light Kit (1734856) . . . .	X	X	X	X	X	X	X	X
		18733	Blade Adapter Kit (use with 18532) . . . . .	X	X	X	X	X	X	X	X
18908	8" Moldboard Plow (Req. 18330)	X	X	X	X	X	X	X	X		
18910	10" Moldboard Plow (Req. 18330) . . . . .	X	X	X	X	X	X	X	X		
18911	12" Moldboard Plow (Req. 18330) . . . . .		X	X	X	X	X	X	X		
18923	Cultivator w/Shovels (Req. 18330) . . . . .	X	X	X	X	X	X	X	X		
18955	Disc Harrow - 8 Blade (Req. 18330) . . . . .	X	X	X	X	X	X	X	X		
19222	Mech. Blade Angling Kit (use with 18305) . . . . .	X	X	X	X	X	X	X	X		
19708	Cab . . . . .	X	X	X	X	X	X	X	X		
21741	Front Wheel Weights (Pr.) . . . . .	X	X	X	X	X	X	X	X		
30902	Wheel Weights Kit (Pr.) 100# . . . .			X							
50146	46" 2 Stage Snow Thrower (Req. 18346)& 18318) . . . . .	X	X	X	X	X	X	X	X		
50930	Cab (Hard Top) . . . . .	X	X	X	X	X	X	X	X		
50966	Lawn Vacuum (Req. 18029) . . . . .			17		17					

**NOTE: Check Accessory or Sales Price List for Availability.**

**X - Will fit without changes.**

- 1 - Req. relocate pin in front bolster to higher position.**
- 2 - Consists of 1733854 & 1733855 hitch arms.**
- 3 - 1461-01, 1658-02, 1661-01, 1659, 1667, 1668 & 1662 -Relocate upper pin to lower hole.**
- 4 - Requires front bolster 1738561 & front belt drive 1740023.**
- 5 - 18315 Tiller req. 1738559 (50-1/16") driveshaft.**
- 6 - Use 1741576 belt (81.38").**
- 7 - Use 1741577 belt (83.25").**
- 8 - Use 1741578 belt (42.38").**

- 9 - 18309-02/05 can be used with 18322 if driveshaft 1733911 (54-5/16") is ordered.**
- 10 - 18318 can be used with 18315 and driveshaft 1738559.**
- 11 - Includes 18309.**
- 12 - Includes 18340 with hitch arms 1733854 & 1733855.**
- 13 - Requires brake pedal 1738449.**
- 14 - Use with 18908, 18910, 18911, 18923, and 18955.**
- 15 - 18335-02 requires 1726701 belt.**
- 16 - Requires 18340 hitch kit.**
- 17 - Fits 1667, 1467 & 1668 only.**



## LAWN & YARD TRACTOR ATTACHMENT INTERCHANGEABILITY

MODEL	DESCRIPTION	H11LT	G11LT	G16YT	
		1011H	1011G	2016G	
6888	String Trimmer .....	X	X	X	
10038S	38" C.M. Mower, S. D. ....	X	X		
10136	36" Snow Caster .....	X	X	1	
10242	42" Snow Plow/Grader Blade .....	X	X	X	
10900	Grass Hopper/Bagger .....	X	X		
10910	Rear Wheel Weight (Pr.) .....	X	X		
20042S	42" C. M. Mower, S. D. ....			X	
20326	26" Tiller .....			X	
20910	Rear Wheel Weight (Pr.) .....		X		
20960	Mounting Kit for 10136 .....			X	
1745130	Rear Tire Chains (10960) (20 x 8.00 x 10) ...	X	X		
1863382	Rear Tire Chains (16062) (22 x 7.50 x 12) ...			X	

**X - Will fit without changes.**  
**1 - Requires Kit 20960.**

**NOTE: Check Accessory or Sales Price Lists for Availability.**

## SUBURBAN TRACTOR ATTACHMENT INTERCHANGEABILITY

MODEL	DESCRIPTION	3011H	3012G	3016G	3118G
		3011G 3211G	3012H 3112G 3112G	3016H	
6951/52	Backpacker (36" Mower) Req. 30907	X	X	X	
30036S	36" Side Discharge Mower .....	X	X (3)	X	
30042R	42" Rear Discharge Mower .....	X	X	X	X
30042S	42" Side Discharge Mower .....	X	X	X	X
30048S	48" Side Discharge Mower .....			X	X
30138	38" Single Stage Snowthrower .....	X	X	X	X
30242	42" Snow Blade .....	X	X	X	X
30326	26" Rotary Tiller .....	X (1)	X (1)	X	X
30333	33" Rotary Tiller .....				X
30900-03	Electric Lift Kit .....	X	X	X	X
30901	Backpacker Kit (For 36" Mower) .....	X	X	X	
30902	Rear Wheel Weights (Pr.) .....	X	X	X	X
30904	String Trimmer .....	X	X	X	X
30907	Backpacker Adapter Kit	X	X	X	
30920	Sleeve Hitch Kit				X
30930	Cab (HardTop) .....		X	X	X
30950	Ag Tire Kit (23 x 8.50-12)				X
30970	Voltage Sensor Kit	X (2)	X		
31036S	36" Side Discharge Mower .....	X	X	X	

**X - Will fit without changes.**

**NOTE: Check Accessory or Sales Price Lists for Availability.**

- 1 - Model 3211 & 3212 and later is equipped with a no till transmission. Tiller must not be used.**
- 2 - For Model 3211G**
- 3 - Model 3212 requires lift kit 30909**

### 5000 Series Tractor Attachment Interchangeability

MODEL	DESCRIPTION	5017G	5017H 5018H	5019H 5020H
6888	String Trimmer .....	X	X	X
16465	Dump Cart (10.0 cu. ft.) .....	X	X	X
16466	Dump Cart (7.5 cu. ft.) .....	X	X	X
18029	Front Wheel Weights (Pr.) .....	X	X	X
	(Dir. req. to drill wheel holes)			
18617	8" Hood & Tine Ext. (F/50333) .....	X	X	X
18326	Cruise Control (1748795) .....		X	STD
19220	54" Snow Plow/Grader Blade (Req. 50965) .....	X	X	X
19222	Mech. Blade Angling Kit .....	X	X	X
30902	Rear Wheel Weight Kit (100#) .....	X	X	
50042S	42" Side Discharge Mower .....	X	X	X
	(does not include U-joint)*			
50048R	48" Rear Discharge Mower .....	X	X	X
	(does not include U-joint #1724836)*			
50048S	48" Side Discharge Mower .....	X	X	X
	(does not include U-joint #1724836)*			
50060S	60" Side Discharge Mower .....			X
50142	42" Snowthrower (Req. 30902 & 50965) .....	X	X	X
50146	46" 2 Stage Snow Thrower (Req. 50962 & 50965) .....	X	X	X
50254	54" Blade w/Hydraulic Angling (Req. 50965) .....			X
50333	33" Rotary Tiller (with driveshaft) .....	X	X	X
50930	Cab (Hard Top) .....	X	X	X
50960	Electric Lift Kit .....	X		
50961	Sleeve Hitch .....	X	X	X
50962	Adapter Kit (f/50146) .....	X	X	X
50964	3 Point Hitch (Cat. "O") .....	X	X	X
50965	Push Arm (use with 50142, 50146, 19220 & 50254) .....	X	X	X
50966	Lawn Vacuum (Reg 18029) (For 50042S & 50048S) .....	X	X	X

**X - Will fit without changes.**

**\*U-joint is with tractor.**

**NOTE: Check Accessory or Sales Price Lists for availability.**

**"Q" SERIES & 1900 SERIES TRACTOR ATTACHMENT INTERCHANGEABILITY**

MODEL	DESCRIPTION	QS16	QT16	QT16	QT17	QT17	1900
		1660 01-02	1666 01-02 03-04	1666 05	1666 06	1666 07 thru 11	1966
6888	String Trimmer .....	X	X	X	X	X	X
16167	Rear Wheel Weights .....	X	X	X	X	X	X
16168	Rear Wheel Weights (Ea.) .....	X	X	X	X	X	X
16219	Tire Chains (1721585) (23 x 10.50 x 12) .....	X	X	X	X	X	X
16465	Dump Cart (10.0 cu. ft.) .....	X	X	X	X	X	X
16466	Dump Cart (7.5 cu. ft.) .....	X	X	X	X	X	X
16999	Chrome Hub Caps (1714144) .....	X	X	X	X	X	X
18029	Front Wheel Weights (Pr.) .....	X	X	X		X	X
18031	Front Wheel Weights (Pr.) .....	X	X	X	X	X	X
18032	Front Wheel Weights (Pr.) .....	X	X	X	X	X	X
18043	Housing Extension (f/19240) (1719704) .....	X	X	X	X	X	X
18060	Brinly 12" Moldboard Plow .....	X	X	X	X	X	X
	(Req. 19200 & 19245)						
18062	Brinly Disc Harrow (Req. 19200 & 19245) .....	X	X	X	X	X	X
18064	Brinly Cultivator (w/Spring Teeth) .....	X	X	X	X	X	X
	(Req. 19200 & 19245)						
18096	Hour Meter (1734857) .....	X					
18106	Arm Rest Kit (1734890) .....			X	X	X	X
18617	8" Hood & Tine Extension (f/19230) .....	X	X	X	X	X	X
19200	3-Point Hitch (Req. 19245) .....	X	X	X	X	X	X
19201	Oil Cooler Kit (1735150) .....			X	X	X	X
19205	Dual Wheel Kit (1735556) .....	2	2	2	2	2	2
19209	48" Rear Discharge Mower .....	X	X	X	X	X	X
19210	48" Side Discharge Mower .....	X	X	X	X	X	X
19211	48" Side Discharge Mower .....	X	X	X	X	X	X
19212	54" Side Discharge Mower .....					X	X
19214	Light Kit (1739640) .....	X	X	X	X	X	
19220	54" Snow Plow/Grader Blade (Req. 19250) .....	X	X	X	X	X	X
19222	Mech. Blade Angling Kit .....	X	X	X	X	X	X
19226	Cruise Control (1738849) .....	X	X	X	X	X	X
19230	33" Tiller .....	X	X	X	X	X	X
19240	42" Snow Thrower (Req. 19250) .....	X	X	X	X	X	X
19245	Lift Kit (f/19200 & 19230) .....	X	X	X	X	X	X
19246	Rear PTO Assembly - 2000 RPM .....	X	X	X	X	X	X
19250	Push Arm Assembly .....	X	X	X	X	X	X
	(use with 19220, 19240 & 50146)						
19709-01	Cab .....	X	X	X	X	X	X
19709-02	Cab .....		1	X	X	X	X
30902	Wheel Weight Kit (100#) (Rear) .....	X	X	X	X	X	X
50146	46" 2 Stage Snow Thrower (Req. 19250 & 50962) ....	X	X	X	X	X	X
50962	Mounting Kit (f/50146) .....		X	X	X	X	X
50930	Cab .....	X	X	X	X	X	X

**X** - Will Fit Without changes.

**1** - Will not fit 1666-01.

**2** - Not recommended with a mower.

**NOTE:** Check Accessory or Sales Price Lists for availability.



# LARGE FRAME (CHANNEL) TRACTOR ATTACHMENT INTERCHANGEABILITY

MODEL	DESCRIPTION	1250	1455	1476	1477	1886	1886	HT18	HT20	HT20D	HT23
		197 01 02 03	198 01 02	1476 01	1477 01	1886 01 02 03	1886 04	1886S 05 06	2086 01	2289 01 02	2389 01 02
								2087 02-03 04	2389S 01-03		
1359	Seat Belts for R.O.P. ....									X	X
1948	48" Snow Caster (Req. 18151)					X	X	X	X	X	X
1949	48" Snow Caster (Req. 18151)									X	X
6888	String Trimmer .....							X	X	X	X
16167	Rear Wheel Weights (Cast Iron)	X	X	X	X	X	X	X	X	X	X
16168	Rear Wheel Weights (Ea.) .....	X	X	X	X	X	X	X	X	X	X
16442	3 Gang Mower Hitch .....	X	X	X	X	X	X	X	X	X	X
16443	5 Gang Mower Hitch .....	X	X	X	X	X	X	X	X	X	X
16465	Dump Cart (10.0 cu. ft.) .....	X	X	X	X	X	X	X	X	X	X
16466	Dump Cart (7.5 cu. ft.) .....	X	X	X	X	X	X	X	X	X	X
18010	3-Point Hitch .....	X	X	X	X	X	X				
18011	High Float. Front Wheels .....	X	X	X	X	X					
	(20 x 8.00-10)										
18012	Front Wheel Weights (f/18015)	X	X	X	X						
18020	Dual Wheel Kit.....	X	X	X	X	X	X	X			
18021	Heavy Duty Air Cleaner .....	X	X	X	X						
18024	Front Wheels .....		X	X	X	X					
18025	25" Rotary Tiller .....	X	X	X	X	2	2	4	4	4	4
18028	Front Wheel Kit .....						X	X			
18029	Front Wheel Weight Kit (Pr.)					3	X	X	X	X	X
18030	Power Steering Kit .....					3					
18031	Front Wheel Weight (Pr.) .....					6	X	X	7	X	X
18032	Front Wheel Weight (Pr.) .....					X	X	X	X	X	X
18035	Cab .....	X	X	X	X	X	X				
18036	Cab .....	X	X	X	X	X	X				
18037	Cab .....							X	X	X	X
18038	Cab .....			X	X	X	X		X	X	X
18042	42" Snow Caster .....	X	X	X	X	X	X				
18043	Extension Kit (1719407) .....	X	X	X	X	X	X	X	X	X	X
	(f/18042, 18044, 18100, 18103)										
18044	42" Snow Caster .....	X	X	X	X						
18048	48" Rotary Mower .....	X	X	X	X						
18049	48" Rotary Mower .....	X	X	X	X						
18049-04	48" Rotary Mower .....	1	1	1	1	X	X	X	X	X	X
18054	54" Snow Plow/Grader Blade	X	X	X	X	5	5	5	5	5	5
18060	Brinly 12" Moldboard Plow ....	X	X	X	X	X	X	X	X	X	X
	(Req. 18010 or 18086)										
18062	Brinly 16" Blade Tandem Disc	X	X	X	X	X	X	X	X	X	X
	(Req. 18010 or 18086)										
18064	Brinly Cultivator w/Spring .....	X	X	X	X	X	X	X	X	X	X
	Teeth (Req. 18010 or 18086)										
18066	Brinly "A" Frame Hitch .....	X	X	X	X	X	X	X	X	X	X
	(Req. 18010 or 18086)										
18070	54" Rotary Mower .....					X	X	X	X	X	X
18071	54" Rotary Mower .....					X	X	X	X	X	X
18079	Mower Kit (f/18070) .....					X	X	X	X	X	X
18082	Rear PTO - 2000 RPM .....						X	X	X	X	X
18085	54" Snow Plow/Grader Blade					X	X	X	X	X	X
18086	3 - Point Hitch .....							X	X	X	X
18087	Hydro Cooler Kit (1727270) ....							X	X		
18088	Power Steering Kit .....							X	X		
18089	Power Steering Kit .....					X	X				
18090	33" Tiller .....	8	8	8	8	2	2	4	4	4	4

# LARGE FRAME (CHANNEL) TRACTOR ATTACHMENT INTERCHANGEABILITY (Cont'd)

MODEL	DESCRIPTION	1250	1455	1476	1477	1886	1886	HT18	HT20	HT20D	HT23
		197 01 02	198 01 02	1476 01	1477 01	1886 01 02 03	1886 04	1886S 05 06	2086 01 2087 02-03 04	2289 01 02	2389 01 02 2389S 01-02 -03
18091	Tiller Driveshaft .....	X	X	X	X						
18092	Tiller Driveshaft .....					X	X				
18093	33" Tiller .....	11	11	11	11	9	9	X	X	X	X
18094	Rear PTO Kit - 540 RPM .....							X	X	X	X
18095	Rear PTO Kit - 540 RPM .....	8	8	8	8	2	2				
18096	Hour Meter (1725273) .....							X	X	X	X
18098	Deluxe Seat .....							X	13		
18099	Hand Control .....							X	X		18
18100	42" Snow Caster .....	10	10	10	10	14	14	14	14	14	14
18101	Snow Caster Mtg. Kit (f/18100)	X	X	X	X						
18102	Snow Caster Mtg. Kit (f/18100)					X	X	X	X	X	X
18103	42" Snow Caster .....	10	10	10	10	X	X	X	X	X	X
18106	Arm Rest Kit (1734890) .....								12	X	X
18110	54" Mower .....					X	X	X	X	X	X
18111	Oil Cooler Kit (1740003) .....									X	19
18112	Power Steering Kit (17) .....									X	19
18113	Blade Attach. Lock Up (1736718) .....	X	X	X	X	X	X	X	X	X	X
18116	Tiller Attach. Lock Up (1736719) .....							X	X	X	X
18120	Cold Start Kit .....									X	
18144	Roll Over Protection .....					X	X	X	X	X	X
18148	48" Snow Caster .....					X	X	X	X	X	X
18151	Push Arm Kit (f/1948) .....					X	X	X	X	X	X
18155	Cruise Control .....							X	X	X	19
18617	8" Tine & Hood Extension .....	X	X	X	X	X	X	X	X	X	X
	(f/18025 & 18093)										
18906	Rear PTO Kit - 540 or 1000 RPM .....	X	X	X	X						
19205	Dual Wheel Adapter Kit (1735556)								15	15	15
19613	Tire Chains (27 x 8.50 x 15) ....	X	X	X	X	X	X	X			
19614	Tire Chains (1718284) (26 x 12 x 12)	X	X	X	X	X	X	X	X	X	X
19617	Rear Wheel Weights .....	X	X	X	X	X	X	X			
19619	Dual Wheel Kit .....	X	X	X	X	X	X	X	X	X	X
21741	Front Wheel Weights .....	X	X	X	X	16					
30902	Wheel Weight Kit (100#) (Rear)										X

**NOTE: Check Accessory or Sales Price Lists for availability.**

**X - Will fit without changes.**

- 1 - Req. 1722727-1722728 rods & cut driveshaft 1" shorter.
- 2 - Req. 1722650 driveshaft.
- 3 - 1886-02 & 03 only.
- 4 - Req. 1724724 L.H. arm, 1724725 R.H. arm, & 1724734 driveshaft (50-5/16" long).
- 5 - Req. two 1722631 push rods.
- 6 - 1886-03 only.
- 7 - 2086-01 & 2087-03-04 only.
- 8 - Req. 1722630 driveshaft.
- 9 - Req. 1718301 R.H. arm, 1718304 L.H. arm, & 1722650 driveshaft (49-3/4" long).
- 10 - Req. two 1719096 push rods & one 1719345 rod crank handle.

- 11 - Req. 1718301 R.H. arm, 1718304 L.H. arm, & 1722630 driveshaft (47-1/4" long).
- 12 - 2087-03 & 04 only.
- 13 - 2087-01, 02 & 03 only.
- 14 - Req. two 1722631 push rods & one 1722629 rod.
- 15 - Not recommended with a mower.
- 16 - 1886-01 only.
- 17 - Fits 2389-02 with 1742157 Adapter, 1742156 Drag Link & Ball Joint 1724656 R.H.
- 18 - Not required on 2389S Models.
- 19 - Standard on 2389S Models.

## TX 2 CYLINDER DIESEL TRACTOR ATTACHMENT INTERCHANGEABILITY

### MODELS (G152) 1300, (G154) 1300F, (G172) 1500, AND (G174) 1500F

DESCRIPTION	MODEL	REMARKS
Air Cleaner	1353	Heavy Duty - For Red Decal Tractors
Backhoe	6	Req. 1370 or 1517 and Bucket - (1)
	6½	Req. 17387 or 1517 and Bucket
Blade	48"	Hyd. Angled - Order Parts from Arps Corporation
	48"	Hyd. Angled - Rr Ballast Recommended - (1)
	48"	Req. 17367
	54"	Hyd. Angled - Req. 1326-02 and 1341
	48"	Hyd. Angled - Order Parts from Arps Corporation
	54"	Mech. Angled - Req. 1326 and 1327
Bucket	8"	For Model 1380
	13"	For Model 1380
	16"	For Model 1380
	10"	For Model 17385
	12"	For Model 17385
	16"	For Model 17385
	40"	For Model 1370 Loader
	48"	For Model 1370 Loader
	38"	For Model 1517 Loader
48"	For Model 1517 Loader	
Bucket Material	18158	For 18156 Loader
Cab	19705	Soft Side - (2)
Canopy	1361	For Model 1360 ROP
Engine Block Heater	1352	800W
Hitch, Trailer	1350	For 17385
Hitch,	17387	
Hour Meter Kit	1345	
Lift Kits	1326	Hyd. Lift - Use with 1330
	1326-02	Hyd. Lift - Use with 1948, 1354 or 1330
Loaders	1370	Front End - Rr. Ballast Recommended - Req. Bucket (1)
	1517	Front End - Req. Bucket
	18156	Req. Bucket - (3) KMW Model K80
Mowers	42"	Center Mount - 2000 PTO Speed - Req. Model 1308
	48"	Center Mount - 2000 PTO Speed - Req. Model 1308
	48"	Refer to Product Bulletin D-6
	48"	Finishing Mower - 752 PTO Speed - Req. 1319
	48"	Flail Mower - 752 PTO Speed - Req. 1319 - Req. 1328 and 1329
Overrunning Clutch O.C. Adapter	1329	Req. 1328
	1328	PTO Adapter for Model 1329

(1) Order all Parts from Brantly Mfg.

(2) Order all Parts From Original Cab Co. (317) 663-2214

(3) Order all Parts From KMW Mfg. (416) 871-3526

**TX 2 CYLINDER DIESEL TRACTOR ATTACHMENT INTERCHANGEABILITY (Con't.)**

**MODELS (G152) 1300, (G154) 1300F, (G172) 1500, AND (G174) 1500F**

DESCRIPTION	MODEL	REMARKS
PTO Kit	1308	For Models 1330, 1342 and 1349
Push Arm	1327 1341 1367	For 1330 For 1330, 1354 and 1948 For 1354
Rollover Protection	1360	Req. Model 1359 Seat Belts
Seat Belts	1359	For 1360
Snowthrower	1330 1948	42" Single Stage - 2000 PTO Speed - Req. 1308, 1326 and 1327 or 1341 48" Two Stage - Not Recommended - 2000 PTO Speed - Req. 1308, 1326 and 1341 - Rr. Ballast Req.
Tillers	42" 1302 48" 1305 42" 17393 50' 17394	472-752 PTO Speeds 472-752 PTO Speeds Side Shift Side Shift - Model 1500F Only
Tires	1356 1357 1362 1363 1364 1365 1366 17000 17004 17005 17008 17024 17308	Ag Kit - 4WD Only - Frt., 5.00 x 12 - Rr., 8-16 Farm Kit - 2WD Only - Frt., 4.00 x 12 - Rr., 8-16 Turf Kit - 2WD Only - Frt., 20 x 8.00 - Rr., 8-16 Turf Kit - 4WD Only - Frt., 6 x 12 - Rr., 8-16 Wide Front Turf Kit - 22 x 7.50--12 - Pair Wide Rear Turf Kit - 29 - 12 x 15 - Pair Turf Kit - 4WD Only - Frt., 22 x 7.5 x 12 - Rr., 29 x 12.00 x 15 Ag - Front - Pair - 12 Ribbed - 2WD Only Turf - Front - Pair - 20 x 8.00-10 - 2WD Only Turf - Rear - 29 x 12.00-15 - Pair Ag - Rear - (8-16) - Pair Turf - Front - Pair - 20 x 8.00-10 - 4WD Only Ag - Front - 5.0 x 12 - 4WD Only
Tire Chains	16052 16056 16059 16060 16061 16062 16065	Rear - For 8 x 16 Turf Tires - Pair Front - For 6 x 12 and 5 x 12 Turf - Pair Rear - For 19 x 12.00 x 15 Wide Turf - Pair Front - For 5 x 12 Ag - Pair Rear - For 8 x 16 Ag - Pair Front - For 22 x 7.50 x 12 Turf - Pair Front - For 5 x 12 and 6 x 12 Turf - Pair
Tire Spacer	1332	Rear Ag
Vacuum	17358	Purchase From Peco (1-800-438-5823)
Weights	1319 18051	Front Bumper - 33# - Use 4 Weights Rear Kit - Pair - Ag Only

See "Misc. Diesel Part Numbers" section of this book for additional information.

Filters (Tractors w/Red Decals)

Oil ..... 1874139  
 Fuel ..... 1875659  
 Air ..... 1871493  
 Hydraulic ..... 1871794  
 Model 1353..... 1721457

Filters (Tractors w/Green Decals)

Oil ..... 1874139  
 Fuel ..... 1876440  
 Air ..... 1872002  
 Hydraulic ..... 1871794

★ Hydraulic Manifold

1862088    Manifold  
 1725684    O-Ring  
 1862078    Manifold Fitting



**TX 3 CYLINDER DIESEL TRACTOR ATTACHMENT INTERCHANGEABILITY**

**MODELS 1502 (TX2140), 1504 (TX2140F), 1704 (2160F),  
1502H (TX2140HST), 1704H (TX2160HST)**

DESCRIPTION	MODEL	REMARKS
Adapter Kit	17373	F/Models 1948/1949 - Reg 1308, 17367 & 17369
Backhoe 6-½'	1380 17385	Req. 1517 and Bucket - (1) - Minor Rework Req'd Req. 17387 with 1517 and Bucket - (1) - PTO Driven Pump
Blade 54" 54"	1354 17378	Hyd. Angled - Req. 17367 and 17369 or 1341 w/o PTO Hyd. Angled - Req. 17367
Bucket 8" 13" 16" 10" 12" 16" 38" 48"	18129 18130 18131 17381 17382 17383 18210 18211	For Model 1380 For Model 1380 For Model 1380 For Model 17385 For Model 17385 For Model 17385 For Model 1517 For Model 1517
Cab	19705 19707	Soft Side - Order Parts from Original Cab Co. (2) Not Compatible with ROPS or Hydro Models Soft Side - Order Parts from Original Cab Co. (2) Not Compatible with ROPS or Hydro Models Used on Hydro Models
Engine Block Heater	1358	800W
Hitch, Rigid	17387	For 17385
Lift Kit	17367	Hydraulic - For 17377, 17378 and 1354
Loader	1517	Front - Req. Bucket
Loader Adapter Kit	17356	For 1517 - Req'd with 1517-01, 02 only for Hydro Models
Loader Mounting Kit	17353	For 1517 - Refer to Product Bulletin 84
Mowers 48" 48" 48"	1343 1348 17350	Rear Flail - 752 PTO Speed - Req. 1319 Rear Finishing - 752 PTO Speed - Req. 1319 Center Mount - Req. 1308
PTO	1308	Front - 2000 PTO Speed
Push Arm	17369	For Model 1354, 1330 - See Product Bulletin D8
Rollover Protection	17368	Incl. Seat Belts
Snowthrower 48"	1948 17377	Not Recommended - 2000 PTO Speed - Two Stage Req. Rear Ballast - Req. 1308, 17369 and 17367 Req. 1341 Hardware Single Stage - Req. 17367 & 1308 - Refer to Product Bulletin D-8
Tiller 42" 48" 42" 50"	1302 1305 17393 17394	472-752 PTO Speeds 472-752 PTO Speeds Side Shift Side Shift - 1704 and 1704H Only

(1) Order all parts from Brantly Mfg.

(2) Original Cab Co. (317) 663-2214 Arlington, IN.

**TX 3 CYLINDER DIESEL TRACTOR ATTACHMENT INTERCHANGEABILITY (Con't.)**

**MODELS 1502 (TX2140), 1504 (TX2140F), 1704 (2160F),  
1502H (TX2140HST), 1704H (TX2160HST)**

DESCRIPTION	MODEL	REMARKS
Tires	1356 1362 1357 1363 17000 17004 17005 17008 17024 17308 17314	Ag Kit - 4WD Only - Frt., 5.00 x 12 - Rr., 8-16 Turf Kit - 2WD Only - Frt., 20 x 8.00 - Rr., 8-16 Farm Kit - 2WD Only - Frt., 4.00 x 12 - Rr., 8-16 Turf Kit - 4WD Only - Frt., 6 x 12 - Rr., 8-16 Ag - Front - Pair - 4.00 - 12 - 2WD Only Turf - Front - Pair - 20 x 8.00-10 - 2WD Only Turf - Rear - Pair - 29 x 12.00-15 Ag - Rear - Pair - 8-16 Turf - Front - Pair - 20 x 8.00-10 - 4WD Only Ag - Front - Pair - 5.00 x 12 - 4WD Only Ag - Front - Pair - 4.00-12 - 2WD Only
Tire Chains	16052 16059 16060 16061 16062 16065	Rear - For 8 x 16 Turf - Pair Rear - For 29 x 12.00 x 15 Wide Turf - Pair Front - For 5 x 12 Ag - Pair Rear - For 8 x 16 Ag - Pair Front - For 22 x 7.50 x 12 - Pair Front - For 5 x 12 and 6 x 12 Turf - Pair
Tire Spacers	1332	Dual Spacers for Rear Ag
Vacuum	17358	Purchase From Peco (1-800-438-5823)
Weights	1319 18051	Front Bumper - 33# - Use 4 Weights Rear Kit - Pair - Ag Tires Only

Filters

Oil..... 1874139  
Fuel ..... 1876440  
Air ..... 1872002  
Hydraulic ..... 1874043  
Hydro ..... 1864599

Hydraulic Manifold

1863343      Manifold  
1721631      O-Ring (3)  
1860220      Screw (3)

Battery ..... 1873992  
Ign. Key ..... 1871433

**TS 2 CYLINDER DIESEL TRACTOR ATTACHMENT INTERCHANGEABILITY**

**MODELS (G192) 1902, AND 1910, (G194) 1904, AND 1910F (G242) 2220, AND (G244) 2220F**

DESCRIPTION	MODEL	REMARKS
Backhoe 6-½' 8' 6-½'	17385 1980 17380	Req. 17386 Hitch and Bucket - Refer to Product Bulletin 85 Req. 1970 or 1924 - Req. rework with 1924 See Product Bulletin D-4. Requires Bucket. Refer to Product Bulletin 85
Blade 66" 60"	1985 1956	Hyd., Angled - (1), Brantly Model 246 Hyd. Angled - Req. Model 1940 or 17375 and 17376
Bucket 48" 60" 13" 16" 10" 12" 16" 8" 60" 48" Material	1971 1972 1981 1982 17381 17382 17383 18122 18930 18931 18158	For Model 1970 - (1) For Model 1970 - (1) For Model 1980 - (1) For Model 1980 - (1) For Models 17380 and 17385 For Models 17380 and 17385 For Models 17380 and 17385 For Model 1980 - Brantly Mfg. (1) For Model 1924 For Model 1924 For Model 18155
Cab - Soft Side Hard	19706 Allied	Soft Side - For Model 1960 ROPS Order From Laurin Inc. 514-689-1962
Canopy	1961	For Model 1960
Clutch, Overrunning	1329	External
Engine Block Heater	1358	800W
Front Lift	1940 17375	Hydraulic w/Push Arms - Use w/1948 & 1956 Hydraulic w/Undercarriage - Use w/17376 & 1956
Hitch Kit, 3-Point	17386	For Model 17385 - Refer to Product Bulletin 85
Hydraulic Kit, Ext.	1923	For Model 1924 - Rear Ballast Recommended - Refer to Product Bulletin D-4
Loader	1924 1970 18155	Front End - Req. Rear Ballast and Bucket - Great Bend Refer to Product Bulletin D-4 Front End - Req. Rear Ballast and Bucket - (1) Front End - Req. Rear Ballast and Bucket (2) KMW Model K90
Mowers 60" 54" 59"	1344 1954 1959	Rear Flail - Req. 1329 - 1000 PTO Speed - Front Bumper Weights Req. Center Mount - 2WD Only - 2000 PTO Speed - Req. 1309 Rear Finishing - 540 PTO Speed - Req. Model 1319 Frt. Wts.

- (1) Oder all Parts from Brantly Mfg. (405)-335-5593
- (2) Order all parts from KMW Mfg. (416) 871-3526
- (3) Order all parts from Original Cab Co.  
(317) 663-2214

**TS 2 CYLINDER DIESEL TRACTOR ATTACHMENT INTERCHANGEABILITY (Con't.)**

**MODELS (G192) 1902, AND 1910, (G194) 1904, AND 1910F (G242) 2220, AND (G244) 2220F**

DESCRIPTION	MODEL	REMARKS
Push Arms	17376	Use with 17375 and 1956
PTO Kit	1309	Front - 2000 RPM Speed
Rollover Protection	1960	Req. Model 1359 Seat Belts
Seat Belts	1359	Use with Model 1960
Snowthrower	48" 1948	Two Stage - 2000 RPM Speed - Req. 1309 & 1940 - Req. Rear Ballast
	48" 1949	Two Stage - 2000 RPM Speed - Req. 1309 & 1940 - Req. Rear Ballast
Tiller	50" 17394	540 PTO Speed
	51" 1307	
Tires	1930	Rear Turf - Pair - 4WD Models - Req. 1931 - 13.6 x 16
	1931	Front Turf - Pair - 4WD Only - Req. 1930 - 25 x 7.5-15
	1957	Ag Tire - 2WD Only - 4 Tires - 4.00-12 Frt./8.5 x 24 Rr.
	1958	Ag Tire - 4WD Only - 4 Tires - 6.00-14 Frt./8.3 x 24 Rr.
	1962	Turf Tire - 2WD Only - 4 Tires - 20.0-8.00 x 10 Front/13.6 x 16 Rear
	17004	Front Turf - Pair - 20 x 8.00-10 - 2WD Only
	17011	Front Ag - Pair - 6-14 - 4WD Only
	17012	Rear Ag - Pair - 8.3-24 - Incl. Disc
	17013	Rear Ag - Pair - 9.5 x 24 - Incl. Disc
	17022	Rear Turf - Pair - 13.6-16
	17023	Frnt. Turf - Pair - 25 x 7.5-15 - 4WD Only - Replaces 1931
17314	Front Ag - Pair - 4.00-12-1902/1910 Only	
Tire Chains	16053	Rear - Pair - For 13.6 x 16 Turf
	16054	Rear - Pair - For 8 x 24 and 9.5 x 24 Ag
	16057	Front - Pair - For 25 x 7.50 x 15 Turf - 4WD Only
	16058	Front - Pair - For 6 x 14 Ag - 4WD Only
Tire Clamp	1932	Dual Clamps - Rear
Weights	1319	33# (Each) - Use 7 per Tractor
	18051	Pair - Does not fit 13.6-16 Turf Tires

Filters

Oil..... 1726450  
 Fuel ..... 1862499  
 Air ..... 1871991  
 Hydraulic ..... 1862834

Hydraulic Manifold

1 - 1863134      Manifold  
 3 - 1721631      O-Ring  
 3 - 1863154      Screw

Battery ..... 1873703  
 Ign. Key ..... 1871433

See "Misc. Diesel Part Numbers" section of this book for additional information.

**DIESEL TRACTOR ATTACHMENT INTERCHANGEABILITY**

**MODELS 2102 (TU 3210), 2104 (TU 3210F)**

DESCRIPTION	MODEL	REMARKS
Backhoe            6-½'	17385	Req. 17389, 17395 and Bucket
Blade                60"	17560	Complete with Hyd. & Push Arm
Bucket              10"	17381	For 17385
12"	17382	For 17385
16"	17383	For 17385
48"	17396	For 17395
60"	17397	For 17395
Cab-Hard	Allied	Order from Laurin Inc. (514)689-1962
Hitch - Backhoe	17389	Required with 17385
Loader	17395	Requires Bucket, Rear Ballast
Mower              60"	1959	Front Weights Model 1319 Recommended
60"	17660	Requires 17530
PTO	17530	Front Mount for 17660, 1948 & 1949
Push Arm & Hyd.	17548	Required for 1948 & 1949
Rollover Protection	17409	Incl. Seat Belts
Snowthrower      48"	1948, 1949	Requires 17548, 17530
Tiller                50"	17394	Side Shift
Tires	17004	Front Turf - Pair - 20 x 8.00-10 - 2WD Only
	17314	2WD - Front Ag - 4.00-12 - Ribbed
	17431	4WD - Front Ag - 6.00-12 - Lugged
	17432	Rear Ag - 12.4-16 - Lugged
	17434	2WD - Front Turf - 20 x 8.00-10
	17435	4WD - Front Turf - 24 x 8.50-12
	17436	Rear Turf - 13.6-16
Tire Chains	16053	For 17436 Turf Tires
Weights - Front	1319	33# (Each) - Use 5 Weights
- Rear Wheel	17520	130/Set - 3 Sets Maximum
Wheel Spacers	1860844	For Turf Tires

Hydraulic Manifold

1 - 1863475    Manifold  
 3 - 1860220    Screw  
 3 - 1177509    O-Ring

Filters

Oil ..... 1874196  
 Fuel..... 1862499  
 Air ..... 1874282  
 Hydraulic ..... 1874664

Battery ..... 1873992

Ign. Key ..... 1870948

See "Misc. Diesel Part Numbers" section of this book for additional information.

## DIESEL TRACTOR ATTACHMENT INTERCHANGEABILITY

### MODELS 2702 (TE 4270), 2704 (TE 4270F)

DESCRIPTION	MODEL	REMARKS
Backhoe            6-½'	17385	Req. 17386 Hitch and Bucket Or 17405 Hitch - Refer to Service Bulletin D12
Blade                60"	17460	Incl. Hydraulic Lift & Push Arms
Bucket	17381	For 17385
	17382	For 17385
	17383	For 17385
Cab-Hard	Allied	Order from Laurin Inc. (514)689-1962
Hitch - Backhoe	17386	For 17385
Hitch - Rigid	17405	Ref: Service Bulletin D12
Loader	17411	Incl. 60" Bucket - Req. Rear Ballast - Refer to Product Bulletin 86
Mower                59"	1959	Rear Finishing - Frt. Wgts Model 1319 Recommended 540 RPM PTO
	1344	Rear Flail - 540 RPM PTO
PTO Kit	17530	Front Mounted
Rollover Protection	17410	Incl. Seat Belts
Tiller                50"	17394	Side Shift
Tires	17420	Ag - 5.00 x 15 - Front - Pair - 2WD
	17421	Ag - 7-16 - Front - Pair - 4WD - Req. 17422
	17422	Ag - 11.2-24 - Rear - Pair - Incl. Disc
	17315	Turf - 24 x 8.5-12 - Front - Pair - 2WD (Req. 17317)
	17316	Turf - 212/80D-15 - Front - Pair - 4WD
	17317	Turf - 355/80D-20 - Rear - Pair
Weight - Front	1319	33# (Each) - Use 6 Weights
- Rear	17413	200# - Pair - Add 17414 for Added Weight
- Rear	17414	200# - Pair - Req. 17413 - Will Not fit Turf Tires
Wheel Spacers	186 0844	For Turf Tires

Hydraulic Manifold

1 - 1864246    Manifold  
3 - 1860220    Screw  
3 - 1177509    O-Ring

Filters

Oil ..... 1726450  
Fuel ..... 1862499  
Air ..... 1870322  
Hydraulic ..... 1870823

Battery ..... 1873703

Ign. Key ..... 1870948

See "Misc. Diesel Part Numbers" section of this book for additional information.

## DIESEL TRACTOR ATTACHMENT INTERCHANGEABILITY

### MODELS 2902 (TS 2810), 2904 (TS 2810F)

DESCRIPTION	MODEL	REMARKS
Backhoe 6-1/2" 6-1/2"	17380 17385	Ref to Product Bulletin 85 - Req. Bucket Req. 17386 - Refer to Product Bulletin 85 - Req. Bucket Or 17405 - Refer to Service Bulletin D12
Bucket 10" 12" 16"	17381 17382 17383	For 17380 and 17385 For 17380 and 17385 For 17380 and 17385
Cab-Hard	Allied	Order from Laurin Inc. (514)689-1962
Canopy	17371	For 17370 Rops
Engine Block Heater	1358	800W
Hitch Kit, 3-Point	17386	Refer to Product Bulletin 85 - For 17385
Hydraulic Lift Kit	17355	Rear - Remote
Loader	Allied	Schwartz, Model 9-2918 or KMW Model K-90*
Mowers 60" 59"	1344 1959	Rear Flail - 1000 PTO Speed - Req. 1319 Wgts. Rear Finishing - 540 PTO Speed - Req. 1319 Wgts.
Rollover Protection	17370	Includes Seat Belts
Tires	17014 17015 17016 17017 17019 17020 17313	Front Ag - Pair - 5.00-15 - 2WD Only Front Turf - Pair - 25-7.50-15 - 2WD Only Front Ag - Pair - 6 x 16 - 4WD Only Front Turf - Pair - 8.5L x 14 - 4WD Only Rear Ag - Pair - 12.4 x 24 Rear Turf - Pair - 21.5 x 6.1 Front Ag - Pair - 6.00 x 16 - 4WD Only
Weights	1319 18051	Front Bumper - 33# (Each) - 7 Weights Recommended Rear Wheel Weight - Pair - Will Not Fit 17020

#### Filters

Oil ..... 1726450  
Fuel..... 1872176  
Air ..... 1872249  
Hydraulic ..... 1873042

#### Hydraulic Manifold

1 - 1863831    Manifold  
4 - 1860220    Screw  
4 - 1721631    O-Ring

Battery ..... 1873233  
Ign. Key ..... 1871433

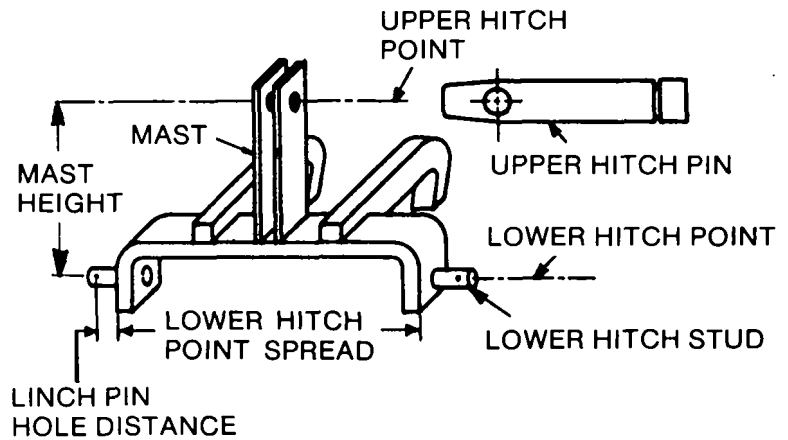
\* Schwartz Mfg. (612) 395-2541 Minneapolis, MN  
KMW Mfg. (416) 871-3526 Fort Erie, Ontario

See "Misc. Diesel Part Numbers" section of this book for additional information.

# THREE-POINT FREE-LINK ATTACHMENT FOR HITTING IMPLEMENTS TO AGRICULTURAL WHEEL TRACTORS, LAWN AND GARDEN TRACTORS

## DIMENSIONS ASSOCIATED WITH IMPLEMENT

CATEGORY		
O	O-I	I
Gasoline Tractors	Diesel Tractor	Diesel Tractor
QT Series	15 & 17 H.P.	19 & Higher H.P.
HT Series Models 1966		



	Category O				Category O-I				Category I			
	Inches		Millimeters		Inches		Millimeters		Inches		Millimeters	
	Min.	Max.	Min.	Max.	Min.	Max.	Min.	Max.	Min.	Max.	Min.	Max.
<b>Upper Hitch Point</b>												
Width inside . . . . .	1.12	--	28.45	--	1.12	--	28.45	--	1.75	--	44.5	--
Width outside . . . . .	--	1.94	--	49.28	--	1.94	--	49.28	--	3.38	--	85.9
Clearance radius for upper link . . . . .	1.50	--	38.10	--	1.50	--	38.10	--	2.25	--	57.2	--
Hitch pin hole diameter . . . . .	0.64	0.65	16.26	16.51	0.76	0.77	19.30	19.56	0.76	0.77	19.3	19.56
<b>Lower Hitch Point</b>												
Stud diameter . . . . .	0.62	0.63	15.75	16.00	0.86	0.87	21.84	22.10	0.86	0.87	21.84	22.10
Linch pin hole distance . . . . .	1.44	--	36.58	--	1.53	--	38.86	--	1.53	--	38.86	--
Linch pin diameter . . . . .	0.28	0.29	7.11	7.37	0.46	0.48	11.68	12.19	0.46	0.48	11.68	12.19
Lower hitch pin spread . . . . .	19.75	20.00	501.65	508.00	19.75	20.00	501.65	508.00	26.81	26.94	681.00	684.30
Clearance radius for lower link . . . . .	2.00	--	50.80	--	2.00	--	50.80	--	2.50	--	63.50	--
Implement encroachment in front of lower hitch point if implement extends laterally behind tire . . . . .	--	0.50	--	12.70	--	0.50	--	12.70	--	0.50	--	12.70
<b>Implement Mast Height</b>												
Height . . . . .	--	12.00	--	304.80	--	12.00	--	304.80	--	18.00	--	457.00

The mast height is not necessarily a mechanical dimension on the implement itself. If a figure is used in design and if properly used for design of both implement and tractor, a well-performing interchangeable implement and tractor combination will be achieved. This standard makes it possible to produce tractors and implements that will give good performance in any combination; therefore, consideration to hitch geometry is essential. This makes it desirable to establish mast height and a standard mast adjustment within a working range, because these items influence the position of hitch points that are common to both the implement and the tractor.

Mast height is one of the essential factors in establishing the virtual hitch point of the free-link system, loads on the linkage and hitch points, changes in implement hitch corresponding to changes in working depth, implement hitch when the implement is in transport position, clearance of the implement with the tractor, especially in transport position, and clearance of the hitch links with the implement or with the tractor, especially in the transport position.

When an implement mast height is made different than standard to accomplish some specific performance feature, care should be exercised to insure that the desired performance is secured with tractors likely to operate the implement.



**BRIGGS & STRATTON**  
**SERVICE REPLACEMENT ENGINES, BARE BLOCKS, SHORT BLOCKS AND RPM SETTINGS**

MODEL	SPECIFICATION	SERVICE REPLACEMENT ENGINE	CRANK SHAFT	SHORT BLOCK	RPM	
					IDLE	HIGH
<b>BRIGGS &amp; STRATTON</b>						
62032	0651-01	80202-0016	260257	295337	1750	3600
80202	0510-01, 02	80202-0016	260257	295337	1750	3600
80202	1827-01	80202-1519-01 (16)	260257	295337	1750	3200
90702	3065					
91702						
90708	0131-01					
92902	1316-02, 02	92902-0523	260097	299243	1750	3600
92902	3175-01	92902-3015-01 (10)	260124	396270	1750	3200
92902	3176	92902-3015-01 (11)	260124	396270	1750	3200
92902	3178	92902-3016-01	260096	396271	1750	3200
92902	3235	92902-3015-01 (11, 12)	260124	396270	1750	3000
92902	3248-01	92902-3016-01	260096	396271	1750	3200
92902	3261-01	92902-3016-01 (17)	290096	396271	1750	3200
92902	3262-01	92902-3016-01	260096	396271	1750	3100
92908	0850-02, 03, 04	92908-0572	261012	299241	1750	3600
92908	0942-02	92908-0572	261012	299242	1750	3600
92908	1478-01	92908-0571	261030	299241	1750	3200
92908	1709-01, 03	92908-0571	261030	299241	1750	3200
92908	1924-02	92908-0572	261012	299242 (3)	1750	3200
93502	0356-01	93502-0517	260096	299242	1750	3200
110702	3191-01					
110707	3099-01					
110708	0170-01	110708-0020-01	396012	398220	1750	3200
110782	3192-01	110782-3751-01 (18)	396012	398225FF	1750	3000
110787	3107-01					
110788	0171-01					
110902	3176-01	N/A	N/A	N/A	1750	3200
110982	3194	110982-3051 (14)	261514	396595 (13)	1750	3000
110985	0325-01	110988-0050	261262	391855	1750	3200
110985	0442-01	110988-0051	261514	N/A	1750	3200
110985	0503-01	110988-0051	261514	N/A	1750	3300
110988	0324-01, 03	110988-0050	261262	391855	1750	3200
110988	0546-01	110988-0051	261262	391855	1750	3000
110988	0502-02	110988-0051	261262	391855	1750	3000
130202	0335-01	130202-0015	260938	299250	1750	3800
130202	0135-01	130202-0015	260938	299250	1750	3600
130202	074081	130202-0015	260938	299250	1750	3800
130292	0141-03	130292-0070	260938	299256	1750	3800
130292	0611-01	130292-0070	260938	299256	1750	3800
130292	1862-01	130292-1570-01 (19)	260938	299256	1750	3600
130202	0606-01	130902-0017 (8)	261045	298852	1750	3300
130292	0803	130292-1571 (15)	260938	299256	1750	3600
190417	0902-01	190407-1525	261168	390633 (1)	1750	3450
190702	1150-01	190702-1017 (5)	261038	390640	1750	3450
190702	1174-01	190702-1017 (9)	261038	390640	1750	3450
190702	2142					
190702	1183-01	190702-1015	261038	390640	1750	3300

**BRIGGS & STRATTON**  
**SERVICE REPLACEMENT ENGINES, BARE BLOCKS, SHORT BLOCKS AND RPM SETTINGS**

MODEL	SPECIFICATION	SERVICE REPLACEMENT ENGINE	CRANK SHAFT	SHORT BLOCK	RPM	
					IDLE	HIGH
190705	1154-01	190702-1017 (5, 6)	261038	390640	1750	3450
190707	1166-01	190707-1025	261038	390640	1750	3300
190707	1182-01	190707-1026	261038	390640R (2)	1750	3300
190707	2141-01	190707-5726-02 (20)	261038	390640	1750	3300
190707	2141					
191702	5650-01	191702-5515	261184	390649	1750	3200
191702	5651-01	191702-5526	261184	390649R (2)	1750	3200
191707	0631-01	191707-1025	390370	390649	1800	3500
191707	1125-01	191707-1026 (3, 7)	390978	390649 (4)	1800	3500
191707	2167-01					
191707	5832-01	191707-5726-01	390370	390649	1750	3600
191707	5847-01					
251417	0155-01	251417-0026	261291	391920	1750	3450
252707	0163-01	252707-0027	391794	391936	1750	3600
252707	0189-01	252707-0026	391265	391935R (2)	1750	3200
252707	0229-01	252707-0026	391265	391935R (2)	1750	3600
252707	0224-01	252707-0026	391265	391935R (2)	1750	3600
252707	0225-01	252707-0026	391265	391935R (2)	1750	3300
252707	0647	253707-0026 (7)	391265	396610 (2)	1750	3500
252707	0705-01					
253417	0131-01	253417-0631-01	261291	393640 (4)	1750	3450
253417	0133-01	253417-0631-01	261291	393640 (4)	1750	3450
253417	0631-01	253417-0631-02	261291	393640 (4)	1750	3450
253707	0142-01	253707-0026-01	392299	396610	1750	3600
253707	0144	253707-0025	391265	396610 (2)	1750	3600
281707	0126-01					
281707	0127-01					
400437	0122-01					
402437	0139-01	422437-1019-01	394430	395425	1400	3600
402437	0666-01	422437-1019	393823	395426	1400	3600
402437	0700-01					
402707	0138-01	402707-0010	393382	395421	1400	3600
402707	0144-01	402707-0010	393382	395421	1400	3600
401707	0160-01					
404707	0117-01					

**N/A Not Available**

- (1) Remove 261073; Add 261076.
- (2) Cut off 1-7/16" on flywheel end of crankshaft.
- (3) Remove 298809; Add 293918.
- (4) Cut off rewind stub on crankshaft.
- (5) Remove 261306, 298809; Add 260871, 93722, 391255, 297472, 293918
- (6) Originally equipped with 12 volt gear drive. Transfer starter parts to replacement engine or add 391604 starter kit.
- (7) Originally sold without fuel tank & bracket; use parts from old engine or repurchase separately.
- (8) Remove 66538 & 93722.
- (9) Add 92722.
- (10) Remove 395887; Add 395909.
- (11) Transfer blower & rewind starter ass'y from original to replacement engine.
- (12) Remove 161105; Add 261034.
- (13) Transfer rewind starter ass'y., from original engine to replacement engine.
- (14) Remove 261105; Add 261034; Remove 230948; Add 230831.
- (15) Remove 92349; Add 93448.
- (16) Remove (2) 91249; Add (2) 93448 (3) 93032; Add (3) 93656 Add (3) 90537
- (17) Add 66538
- (18) Remove 230948; Add 230831
- (19) Remove (2) 91249; Add (2) 93448
- (20) Remove Fuel Tank Assy

**TECUMSEH SERVICE REPLACEMENT ENGINES, CRANKSHAFT,  
SHORT BLOCKS AND RPM SETTINGS**

MODEL	SPECIFICATION	TECUMSEH PART NUMBER			RPM	
		REPLACEMENT ENGINE	BARE BLOCK	SHORT BLOCK	IDLE	HIGH
<b>TECUMSEH</b>						
670 (AV520)	81A, B	80110(2)	250266A	710366D (3)	1950 + 150	3600 + 150
AH520	1609A	N/A	N/A	710420	---	4300 + 100
AH520	1608A	N/A	N/A	710420	---	4300 + 100
AH600	1633B	N/A	N/A	710435	---	4500 + 100
AH600	1634B	N/A	N/A	710437	---	4500 + 100
H35	4549N	N/A	34708	754230 (16)	---	4500 + 100
H35	45550N	N/A	34708	754230 (16)	---	3600 + 100
HS50	67197D	N/A	33674	754197	---	3600 + 100
HS50	67198D, F	N/A	33674	754197	---	3600 + 100
HS50	67257F	N/A	---	N/A	---	3600 + 100
HSSK40	55558J					
HSSK50	67073D	905300B (18)	---	754201(19)	---	---
HSSK50	67257F					
H60	75493U	N/A	---	N/A	---	3550 + 150
H60 (HSK60)	75428L, M	907300A (4)	33311	756110	1850 + 250	3550 + 150
H70 (HSK70)	130165A, B, D, F	907300A (4)	32586B	756154A	1850 + 250	3550 + 150
HMSK80	155022G	908300A(17)	---	756242	---	---
HMSK80	155320L					
HH120	120199E, F	N/A	33043	758158 (5)	1850 + 150	3450 + 150
HH140	160016	N/A	33762A	758175	1850 + 150	3450 + 150
HH160	170056	N/A	33707	758189	1800 + 250	3450 + 150
HM80 (HMSK80)	155022B,C,D,E,G	908360 (6)	34137	756193A	1850 + 250	3100 + 150
HM80	155022E, D, G	908360 (6)	34348	756242	1700 + 50	3100 + 150
HM100 (HMSK100)	159033C, E, G	910300 (6)	N/A	756228A	1700 + 50	3500 + 250
HM100 (HMSK100)	159102K					
HS50 (HSSK50)	67073A, B, D	905300A (7)	33674	754201	1850 + 250	3550 + 150
LAV35	40667K, L, M	803110	32537B	750183A	2050 + 250	3500 + 250
LAV35	40668K, L	803103	32537B	750369	2250 + 250	3150 + 150
LAV35	40724K	803200 (8)	32537B	750183A	1800 + 250	3600 + 150
LAV40	50348C, E	804163	33531	750271A	2250 + 250	3150 + 150
LAV40	50349C	N/A	33531	750271	2250 + 250	3150 + 150
LAV40	50365E, F	804100 (9)	33027A	750225A(10)	1800 + 250	3600 + 150
LAV50	62036	805760 (11)	33729	750291A	2250 + 250	3150 + 150
LAV50	63036A, B	805760 (11)	33729	750276	2250 + 250	3150 + 150
LAV50	62045A, B; 62046A, B	N/A	---	750349B	---	3600 + 100
LAV50 IA	62056C	805763	---	750276A	---	3600 + 100
OH120	175007, A	916560	---	758201 (20)	---	3600 + 100
OH140	160016A, B	916560	---	758175A	---	3600 + 100
OH140	160020, 160027A, B, C	916560	---	758175A(12)	---	3600 + 100
OH160	170056A	916560	---	758199B	---	3600 + 100
OH160	170089A, B	916560	---	758199A	---	3600 + 100
OH180	180002, A	916560	34623	758202A	---	3600 + 100
TVS90	43276D	N/A	---	750467	2250 + 250	3600 + 100
TVS90	43302D	N/A	---	750467	---	3250 + 100
TVS105	53031A, B	804163B	---	N/A	2050	3300
TVS120	63001A, B, C	N/A	---	750349B(13)	---	3600 + 100
TVS120	63003A	N/A	33968A	N/A	2250 + 250	3150 + 150
TVS120	63025C	N/A	33968A	750349B(13)	1800 + 100	3050 + 100
TVS120	63031D	N/A	---	750466(21)	2050	3300
TVS120	63056D	N/A	---	750466(21)	2050 + 100	3300
TVS120	63032D	---	---	750349C(13)	2050 + 100	3050 + 100

**TECUMSEH SERVICE REPLACEMENT ENGINES, CRANKSHAFT,  
SHORT BLOCKS AND RPM SETTINGS**

MODEL	SPECIFICATION	TECUMSEH PART NUMBER			RPM	
		REPLACEMENT ENGINE	BARE BLOCK	SHORT BLOCK	IDLE	HIGH
<b>TECUMSEH</b>						
TVM140	70368K	806725	34913	752269	2050 + 100	3050 + 100
VM80	150037A, D	808762(14)	33866A	752201B	2050 + 250	3250 + 150
VM80	150051, B, C, D	808700	33866A	752201B	2050 + 250	3250 + 150
V60	70368J	806720A	---	752235(15)	2050 + 250	3250 + 150

N/A Not Available

- |                                |  |                                 |
|--------------------------------|--|---------------------------------|
| (2) Remove 290464; Add 290463. | (9) Remove 32881A; 32612; Add 32888B, 32696. | (15) Remove 30900A; Add 30896B. |
| (3) Remove 290460; Add 290464. | (10) Remove 32943B; Add 32888B.              | (16) Remove 34730; Add 34809.   |
| (4) Remove 32680A; Add 32587.  | (11) Remove 32612; Add 32696.                | (17) Remove 33719B; Add 33365B. |
| (5) Remove 32577; Add 32677.   | (12) Remove 33391B; Add 34445A.              | (18) Remove 33677A; Add 33675.  |
| (6) Remove 33719B; Add 33365B. | (13) Remove 33532; Add 34490.                | (19) Remove 32700A; Add 4674.   |
| (7) Remove 33677A; Add 33675.  | (14) Remove 33767; Add 33580.                | (20) Remove 32685; Add 32580A.  |
| (8) Remove 32936; Add 31816.   |  | (21) Remove 34477B; Add 34570A. |

**KOHLER SERVICE REPLACEMENT ENGINES, BARE BLOCKS,  
SHORT BLOCKS AND RPM SETTINGS**

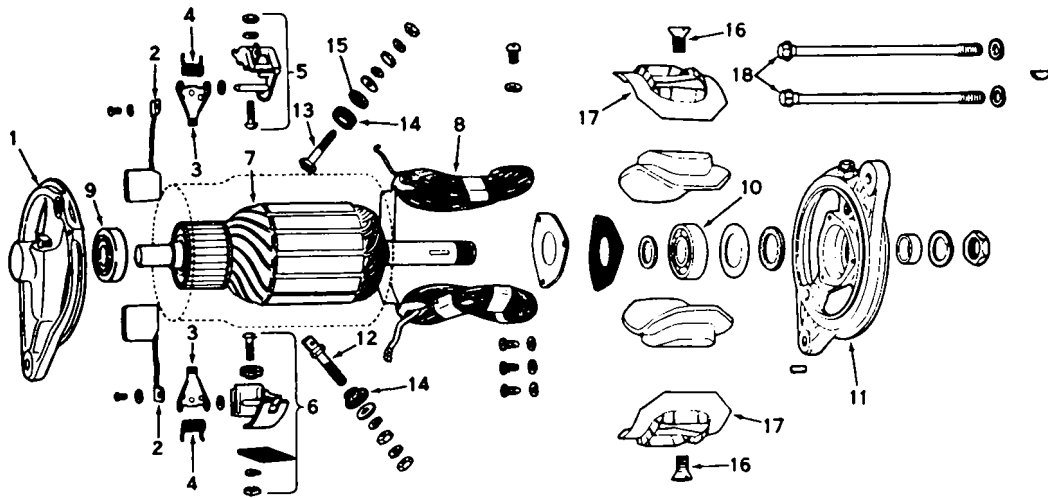
MODEL	SPECIFICATION	SERVICE REPLACEMENT ENGINE	CRANK SHAFT	SHORT BLOCK	RPM	
					IDLE	HIGH
<b>KOHLER</b>						
K341	71176A	(1)		45-522-19	2350 + 75	3575 + 75
K482	35208B	N/A	277118	B-277703 (2)	1500 + 300	3450 + 150
K532S	53138A	K582S-36328	A-277633	B0277703	1500 + 300	3450 + 150
K582S	36272	K582S-36328	48-005-06	48-522-23	1500 + 300	3450 + 150
K582S	36328	K582S-36328	277659	48-522-23	1500 + 300	3450 + 150
KT17QS	24106A	KT17QS-24351		52-522-02	1500 + 300	3450 + 150
KT17QS	24152	KT17QS-24351		52-522-17	1500 + 300	3450 + 150
KT17QS	24197	KT17QS-24351		52-522-17	1500 + 300	3450 + 150
KT17QS	24218	KT17QS-24351		52-522-17	1500 + 300	3450 + 150
KT17QS	24314	KT17QS-24351				
KT19QS	49139	KT19QS-49206		52-522-11	1500 + 300	3450 + 150
KT19QS	49206	KT19QS-49206		52-522-43	1500 + 300	3450 + 150
KT19QS	49226	KT19QS-49206				
M18QS	24512					
M20QS	49508					

<b>ONAN</b>						
BF/MS	21425A, B, C, 2938D 2938E, 3283F	Onan BF/MS 3283F	N/A N/A	B1102162 B1102162	1900 + 100 1900 + 100	3550 + 100 3550 + 100

N/A Not Available

- (1) Mini-block available 45-782-07  
 (2) B-277703 short block will update a K482 to K532 20 H.P.

**SERVICE PARTS INTERCHANGEABILITY MANUAL FOR  
DELCO-REMY GENERATORS USED ON BOLENS TRACTORS**



**PARTS WITHOUT REFERENCE NUMBERS ARE NOT AVAILABLE FROM BOLENS**

Assembly No.*		Frame	Brush	Arm	Spring	Holder	Holder		Coil	Ball
B - Bolens Pt. No. DR - Delco Remy No.		CE		Brush	Brush	(Pkg) Ground	(Pkg) Insul.	Armature	Field Ass'y	Bearing CE
Ref. No.		1	2	3	4	5	6	7	8	9
B	1708288	1723316	1723319	1723320	1723322	1723323	1723324	1723325	X	1723337
DR	1101974	1939907	1946427	1944373	1908829	1940421	1940422	1939954	X	904751
B	1713830	1723318	1723319	1723320	1723322	1723323	1723324	1723325	X	1723337
DR	1101989	1962427	1946427	1944373	1908829	1940421	1940422	1939954	X	904751
B	1716169	1723317	1723319	1723320	1723321	1723323	1723324	1723326	+	Not
DR	1101875	800213	1946427	1944373	1916324	1940421	1940422	800212	+	Used
B	1716169	1723316	1723319	1723320	1723322	1723323	1723324	1723327	+	1723337
DR	1101970	1939907	1946427	1944373	1908829	1940421	1940422	1939904	+	904751
B	1720470	1723317	1723319	1723320	1723321	1723323	1723324	1723328	X	Not
DR	1101694	800213	1946427	1944373	1916324	1940421	1940442	800964	X	Used
B	1720470	1723316	1723319	1723320	1723322	1723323	1723324	1723325	X	1723337
DR	1101968	1939907	1946427	1944373	1908829	1940421	1940422	1939954	X	904751
B	1722502	1723316	1723319	1723320	1723321	1723323	1723324	1723325	X	1723337
DR	1101873	1939907	1946427	1944373	1916324	1940421	1940422	1939954	X	904751

x - R.H. Coil B - 1723329 DR - 1939952 + - R.H.Coil B - 1723331 DR - 1939889 (Plastic Wrap)  
x - R.H. Coil B - 1723330 DR - 1955597 + - R.H.Coil B - 1723332 DR - 1939890 (Plastic Wrap)

Assembly No.*		Ball	Frame	Stud	Stud	**	Washer	Screw	Insul.	Bolt
B - Bolens Pt. No. DR - Delco Remy No.		Bearing DE	DE	"A" Term.	"F" Term.	Bushing Insul. Terminal	Insul. Stud	Pole Shoe	Field Coil	Thru
Ref. No.		10	11	12	13	14	15	16	17	18
B	1708288	1723336	1723334	1724392	1724391	1724393	1724394	1724395	1724396	1724398
DR	1101974	907996	1873830	1939891	1858749	1921362	1858753	1968396	1914491	1908680
B	1713830	1723336	1723335	1724392	1724391	1724393	1724394	1724395	1724396	1724398
DR	1101989	907996	1962430	1939891	1858749	1921362	1858753	1968396	1914491	1908680
B	1716169	1723336	1723333	1724391	1724391	1724393	1724394	1724395	1724397	1724399
DR	1101875	907996	1962412	1858749	1858749	1921362	1858753	1968396	1912073	809763
B	1716169	1723336	1723333	1724392	1724391	1724393	1724394	1724395	1724397	1724399
DR	1101970	907996	1962412	1939891	1858749	1921362	1858753	1968396	1912073	809763
B	1720470	1723336	1723333	1724392	1724391	1724393	1724394	1724395	1724396	1724398
DR	1101694	907996	1962412	1939891	1858749	1921362	1858753	1968396	1914491	1908680
B	1720470	1723336	1723333	1724392	1724391	1724393	1724394	1724395	1724396	1724398
DR	1101968	907996	1962412	1939891	1858749	1921362	1858753	1968396	1914491	1908680
B	1722502	1723336	1723333	1724391	1724391	1724393	1724394	1724395	1724396	1724398
DR	1101873	907996	1962412	1858749	1858749	1921362	1858753	1968396	1914491	1908680

\* NOTE: Complete Starter/Generators are no longer available from Bolens

\*\* Bushing included with stud B-1724391 DR - 1858749

## TRANSMISSION, HYDRAULIC & ENGINE OIL CROSS REFERENCE

The following is a list of transmission/hydraulic fluids which may be substituted for the original factory-supplied oil (which is not available in the U.S.) when you make routine oil changes.

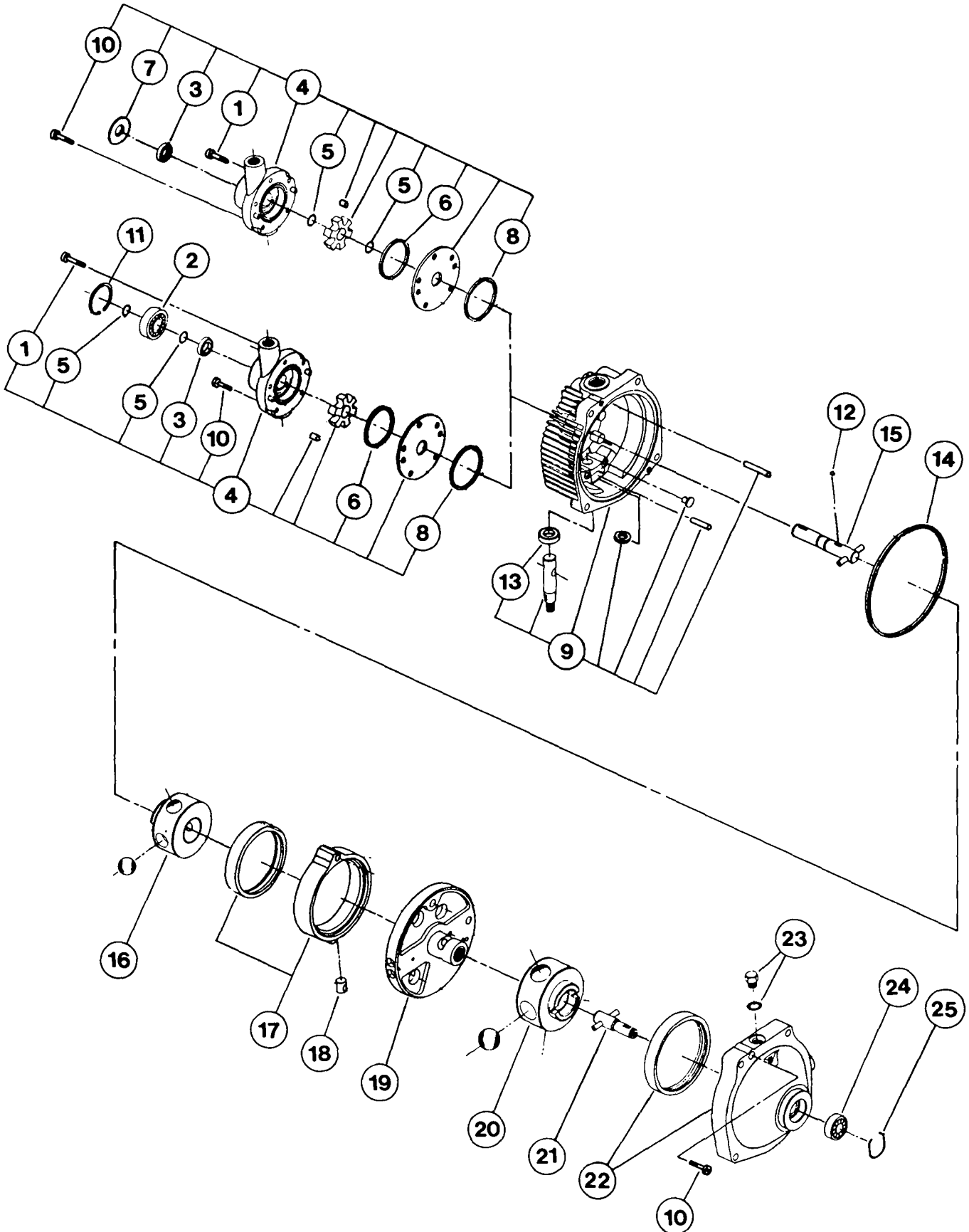
Allis Chalmers	HPF821 Power Fluid
Atlantic Richfield	Arco Tractor Fluid
J.I. Case	TFD Fluid
Cheveron	Tractor Hydraulic Fluid
Conoco	Power-Tran II Fluid
John Deere	Type 303 Special Purpose Oil
Exxon	Torque Fluid 56
Ford	134 Tractor Hydraulic Fluid
International	Hy-Trans Fluid
Kendall	Hyken 052
Lion	HT Fluid
Massey-Ferguson	M-1127 Perma-Tran Fluid
Mobil	Mobilfluid 423
Oliver	Oliver 55 Fluid
Pennzoil	Hydra-Tranz & Wet Brake Fluid
Phillips	HG Fluid
Quaker	Tractor Hydraulic/Trans. Fluid
Shell	Donax T-4
Texaco	TDH Oil
Union	Hydraulic/Trans. Fluid
Valvoline	Unitrac
White	Q-1722

### Engine Oil

API classification CC-CD, 10W30WT motor oil from any reputable manufacturer may be used winter or summer.

**DO NOT USE SYNTHETIC OIL IN DIESEL ENGINES**

# EATON MODEL II BREAKDOWN



## EATON MODEL II PARTS LIST

Ref. No.	Part No.	Description	No. Req.	5000 Series	XT	XL-X1 Series	QT-05 thru 10	HT Series
	1745147	Hydro Ass'y .....		X				
	1729274	Hydro Ass'y, use 1745147 .....	1		X(A)			
	1732194	Hydro Ass'y .....	1				X	
	1736048	Hydro Ass'y .....	1					X
	1743861	Hydro Ass'y, use 1745147 .....	1			X(B)		
1	Buy Local	Socket Hd. Cap Screw 5/16-18 x 1-3/4 (Included with Ref. 4) .....	1	X	X	X	X	X
2	1744151	Ball Bearing (Input) .....	1				X	X
3	1724376	Oil Seal (Included with Ref. 4) .....	1	X	X	X		
	1724381	Oil Seal (Included with Ref. 4) .....	1				X	X
4	1744188	Charge Pump Kit (Includes Ref. 1, 3, 5, 6, 7, 8, 10 & 12) .....	1	X	X	X		
	1744189	Charge Pump Kit (Includes Ref. 1, 3, 5, 6, 8, 10 & 12) .....	1				X	
	1744190	Charge Pump Kit (Includes Ref. 1, 3, 5, 6, 8, 10 & 12) .....	1					X
5	1724375	Snap Ring (Included with Ref. 4) .....	1	X	X	X	X	X
6	1744155	Sq. Seal Ring (Incl. with Ref. 4) .....	1	X	X	X	X	X
7	1724377	Grass Shield (Incl. with Ref. 4) .....	1	X	X	X		
8	1744157	Sq. Seal Ring (Incl. with Ref. 4) .....	1	X	X	X	X	X
9	1744154	Cover Sub Ass'y. (Includes Ref. 13) .....	1	X	X	X	X	X
10	Buy Local	Socket Hd. Cap Screw 5/16-18 x 1-1/4 (Included with Ref. 4) .....	6	X	X	X	X	X
11	1744171	Retaining Ring .....	1				X	X
12	1744159	Drive Pin (Included with Ref. 4) .....	1	X	X	X	X	X
13	1724376	Oil Seal (Included with Ref. 9) .....	1	X	X	X	X	X
14	1744185	Square Seal Ring .....	1	X	X	X	X	X
15	1744011	Input Shaft Sub Add'y. (Splined) .....	1		X			
	1744160*	Input Shaft Sub Ass'y (Keyed) .....	1	X		X		
	1744162	Input Shaft Sub Add'y. (Keyed) .....	1				X	X
16	1744164	Pump Rotor & Ball Ass'y .....	1	X	X	X	X	X
17	1744184	Cam Ring Ass'y .....	1	X	X	X	X	X
18	1744176	Cam Ring Insert .....	1	X	X	X	X	X
19	1744166	Pintle Ass'y. (Includes internal parts) .....	1	X	X	X	X	
	1744167	Pintle Ass'y (Includes internal parts) .....	1					X
20	1744177	Motor Rotor & Ball Sub Ass'y .....	1	X	X	X	X	X
21	1744010	Output Shaft Sub Ass'y .....	1	X	X	X	X	X
22	1744180	Body Ass'y Includes Ref. 21, 24, 25 .....	1	X	X	X	X	X
23	1744179	O-Ring Plug Sub Ass'y .....	1	X	X	X	X	X
24	1104440	Ball Bearing (Output) .....	1	X	X	X	X	X
25	1724380	Retaining Ring .....	1	X	X	X	X	X

\* Replaces splined shaft. If required, order Hub 1742662, Key 1185885, Roll Pin 1185409, and two Set Screws 1737419.

(A) Order 1745147. Replace Input Shaft with 1744011 (Splined).

(B) Order 1745147 (Keyed Input Shaft) Early units may require Hub 1742662, Key 1185885, Roll Pin 1185409 and two Set Screws 1737419.



## RECOMMENDED FLUIDS FOR HYDROSTATICS

Model	EATON											SUNSTRAND		Recommended Fluids	
	Model 6		Model 7		Model 10			Model 11			Model 12		1727789		1729134
	1720746	1820260	1741994	1720970	1727235	1730582	1732269	1745147	1732194	1736048	1745147	1723240			
166 (775) 194 (1225) 197 (1250) 198 (1455) 736	X			X								X X			1 1 1 1 1
1011H 1058 1256 1257 1258		X						X							2 2 1 1 2
1456-01 1456-02 1456-03-04 1458 1476					X	X	X								1 1 1 2 1
1477 1556 1668 1656-01 1656-02						X		X				X			1 1 2 1 1
1656-03-04 1658 1659 1660 1664						X		X			X		X		1 2 1 1 2
1666-01/04 1666-05 & Up 1858 1886-01/04							X	X				X		X	2 2 2 1
1886S-05-06 1966 2086 2087-01-04 2289								X					X X X		1 2 1 1 3
2388 2389 & 2389S 3011H 3012H 3016H 5017H 5018H 5019H 5020H			X X X X X X X						X X						3 3 2 2 2 2 2 3 3

### RECOMMENDED FLUIDS

- 1 - ATF Type "F" year round (1719650) 1 Gallon.
- 2 - Above 30 F (-1 C) use SAE 20, API SC, SD or SE;  
Below 30 F (-1 C) use ATF Type "F".
- 3 - Benzoil THL19 (1738157) 1 Gallon.  
Alternate Fluids: Mobil 423, Texaco TDH, JD303 or Amoco 1000.

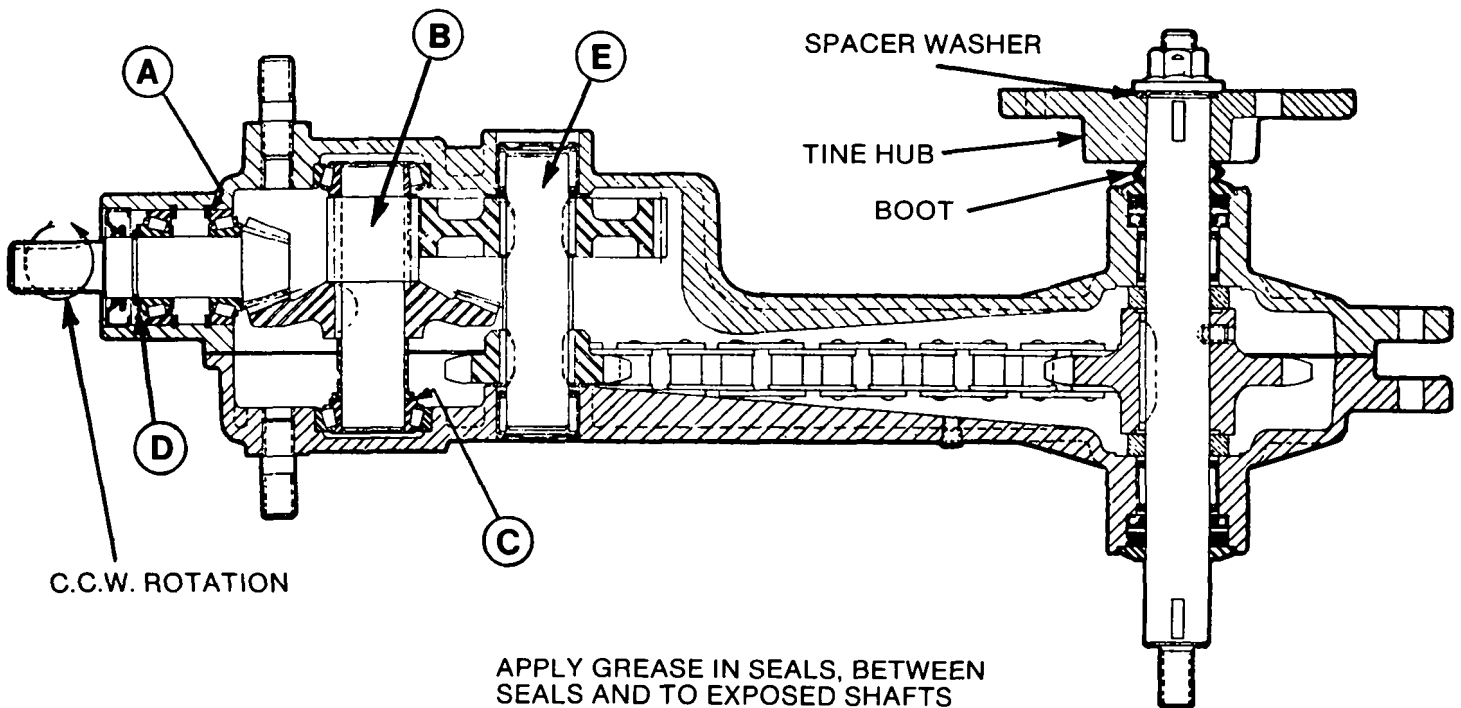
If the oil is to be changed from one type to another, the system must be completely drained and the oil filter replaced before the new oil is added. Once the oil is changed to ATF Type "F", it is not necessary to change back to original oil.

**TILLER GEAR CASE ASSEMBLY INSTRUCTIONS**  
**MODELS 18025, 18090, 18093, 18614, 18616, 18618 AND 19230**

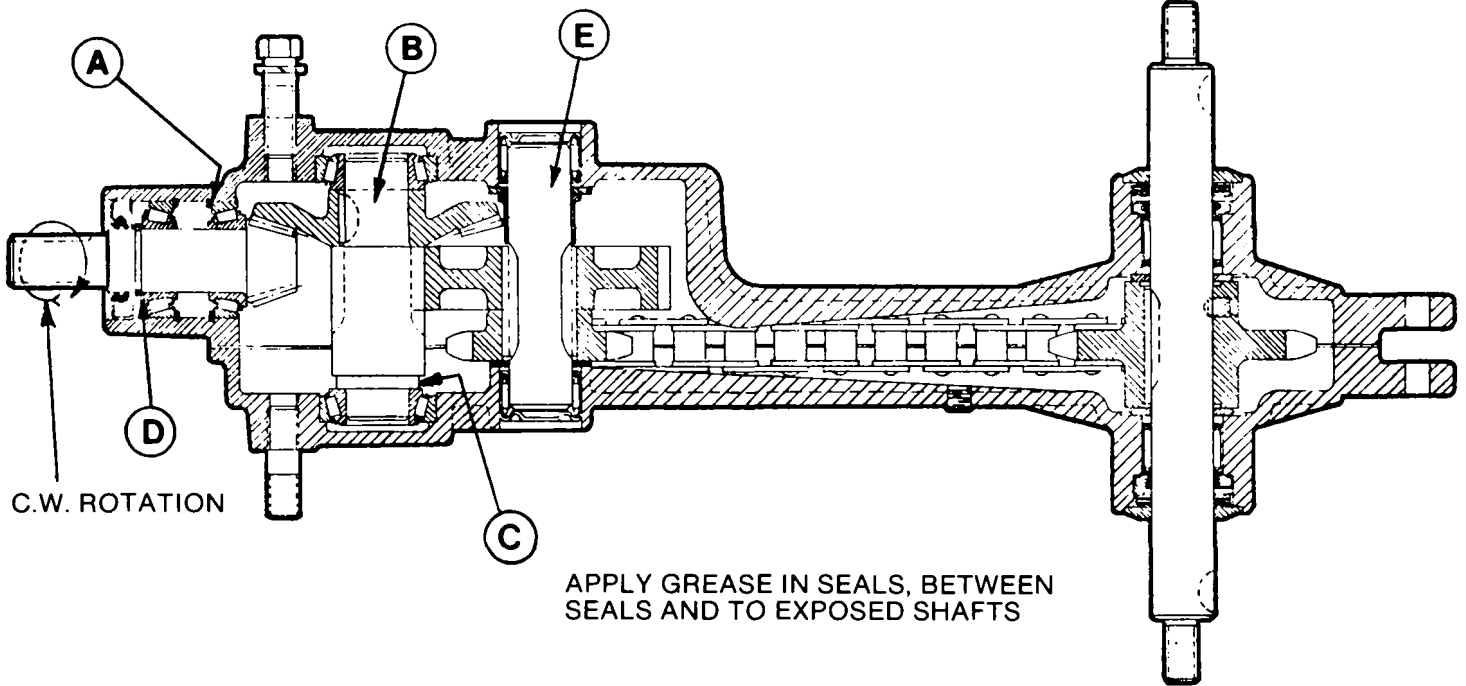
1. Install shaft and gear assembly B in gear case using bearings and shims that are supplied with a new case or cover. Install gasket and bolt case together. Reaching through the input bore, make sure that gear assembly B has sufficient end play. (From free turning to .010 end play). **NOTE:** End play is adjusted at Reference Point C.
2. Disassemble case and install retaining rings in input shaft bore. Use two .005 shims between retaining ring and bearing cup. Reference Point A. Install bearing cups and complete input shaft assembly using shims at Reference Point D for correct shaft end play. (From .003 to .008 end play).
3. Install needle bearings so they are below the inside surface of the case and assemble shaft assemblies B and E in gear case along with remaining components in case half (except seals) and bolt cover to case. Rotate input shaft by hand to make sure there is no binding and that there is gear backlash. If necessary, adjust backlash at Reference Point A and reshim at Reference Point D.
4. Grease shafts and install seals. **NOTE:** On the rotor shaft also put grease between the seals.
5. Fill case to correct level with SAE 90 oil.

---

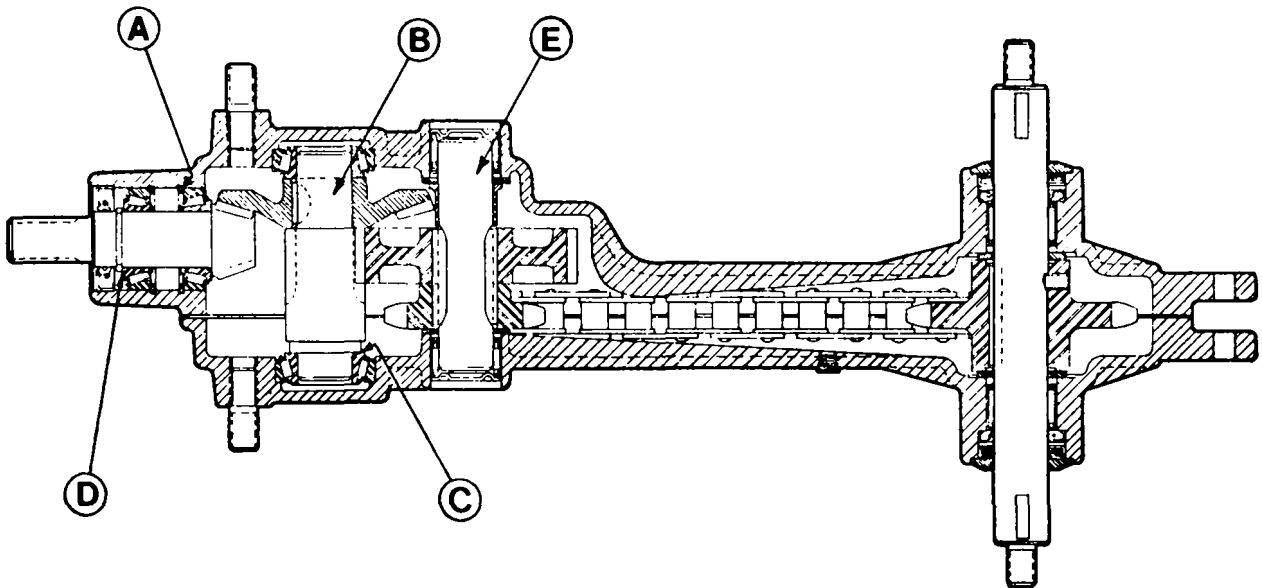
**MODEL 19230 & 50333 TILLER GEAR CASE ASSEMBLY INSTRUCTIONS**



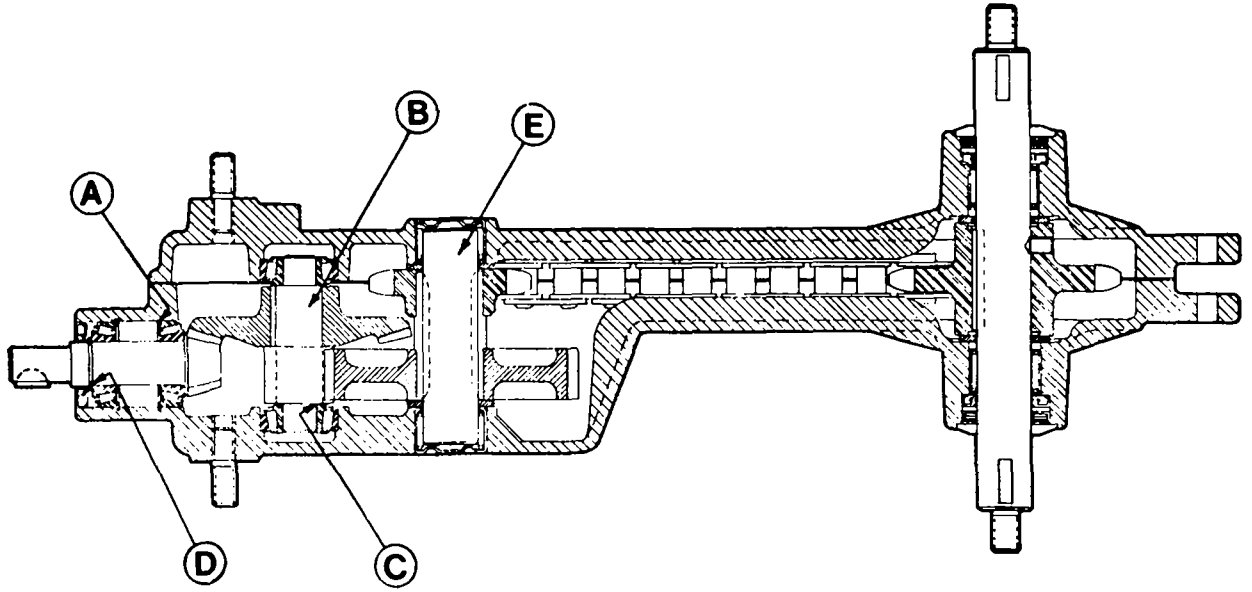
**MODELS 18093 TILLER GEAR CASE ASSEMBLY**



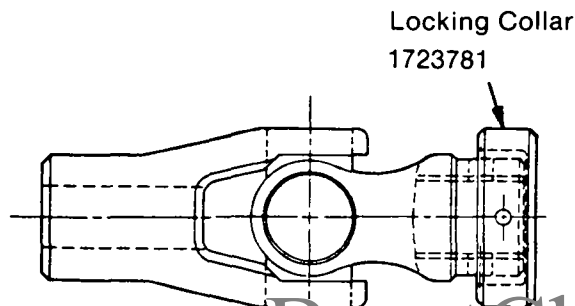
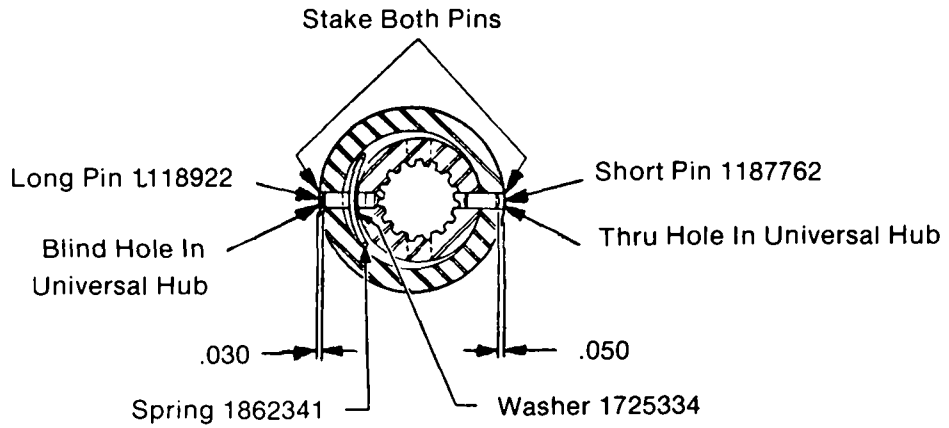
**MODEL 18025 AND 18090 TILLER GEAR CASE ASSEMBLY**



**MODEL 18614, 18616 AND 18618 TILLER GEAR CASE ASSEMBLY**



**PTO QUICK-LATCH UNIVERSAL LOCKING COLLAR**



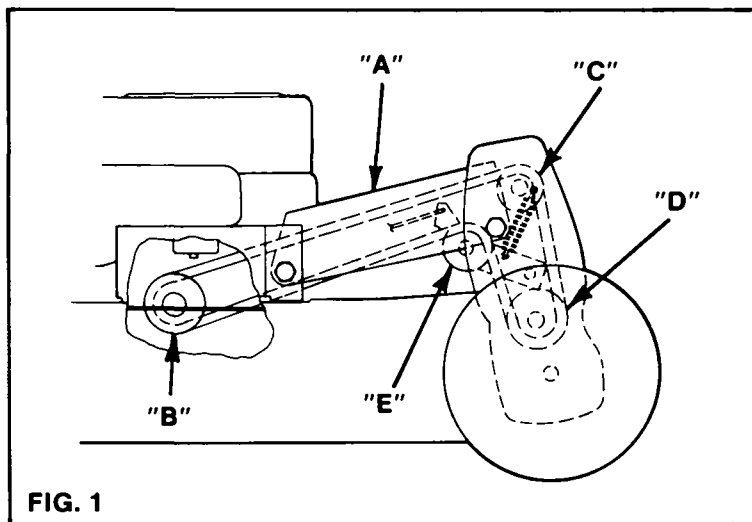
# BELT REPLACEMENT

## MULCHING MOWER DRIVE BELT REPLACEMENT (FIG. 1)

1. Disconnect the spark plug wire.
2. Place the front wheels in the highest cutting position .
3. Remove belt cover (A).
4. Remove the cover plate from the drive housing and remove the drive belt.
5. Slip the new belt over engine pulley (B).

### **NOTE**

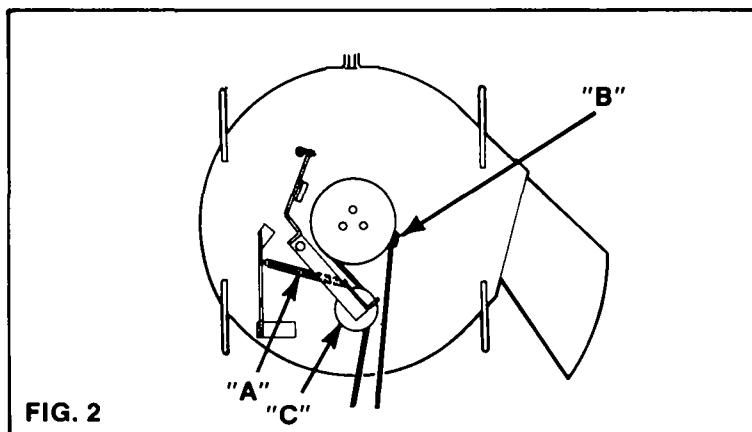
- It may be necessary to loosen the engine mounting bolts to provide clearance around engine pulley for belt removal.
6. Work the belt over the stationary pulley (C) and under the wheel pulley (D).
  7. Depress the idler pulley (E) using a screwdriver and slip the belt over the idler pulley.
  8. Reinstall the cover plate and belt cover.
  9. Reconnect the spark plug wire.



**FIG. 1**

## RIDING MOWER - 28" AND 30" (FIG. 2)

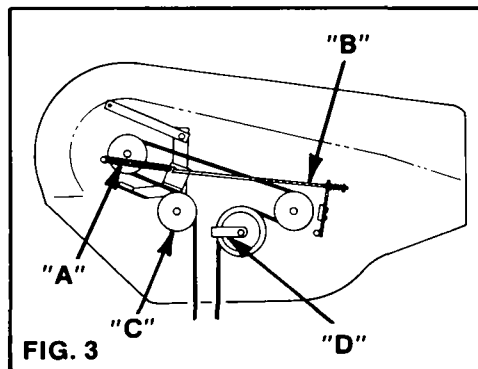
1. Remove spring (A) from idler arm.
2. Loosen belt guide (B) on the mower pulley.
3. Remove the belt from the mower pulley.
4. Remove idler pulley (D) from idler arm.
5. Loosen belt guide (E) Fig. 5 under engine and remove belt.
6. Install new belt by reversing the above procedure.



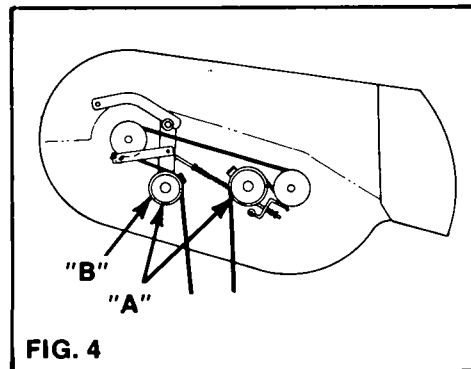
**FIG. 2**

## RIDING MOWER - 34" MOWER (FIG.3)

1. Remove spring (A) from idler arm.
2. Remove brake rod (B) from idler arm.
3. Loosen idler pulley (C).
4. Loosen belt guide (D) on stationary pulley.
5. Loosen belt guide (E) Fig. 5 under engine and remove belt.
6. Install new belt by reversing the removal procedure.



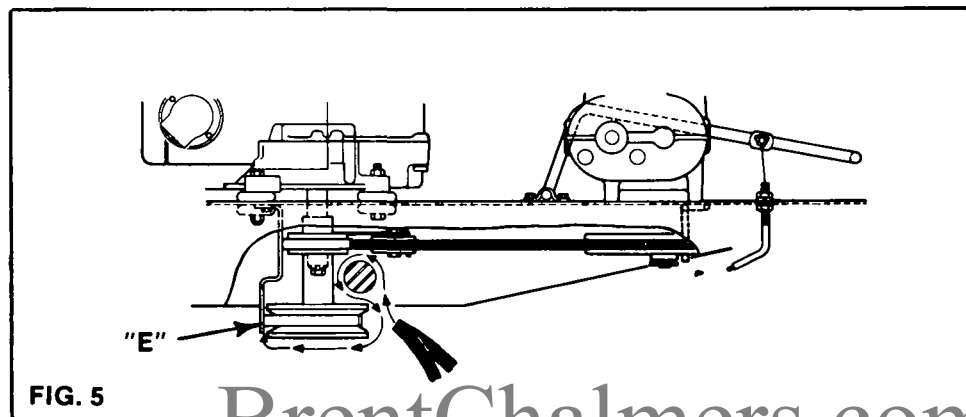
**FIG. 3**



**FIG. 4**

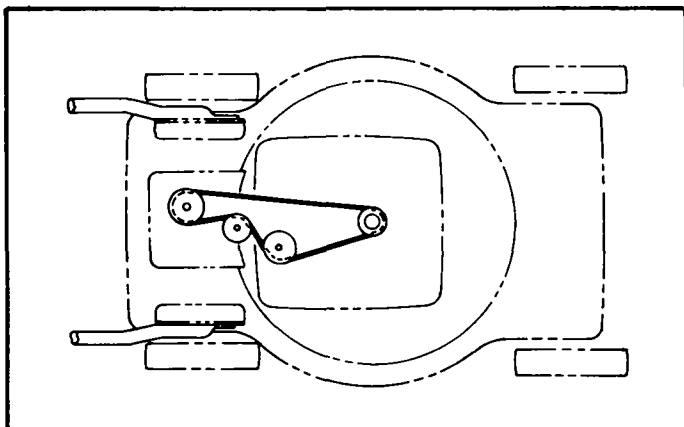
## Riding Mower - 36" Mower (Fig. 4)

1. Loosen belt guide (E) Fig. 5 on engine pulley and remove belt.
2. Cut old belt and remove.
3. Loosen idler pulleys (A) and insert new belt inside belt guides. Tighten idlers.
4. Pivot idler (B) to swing brake blocks from sheaves. Route belt around sheaves as shown.
5. Install mower onto tractor.
6. Position belt onto engine sheave and tighten belt guide (E) Fig. 5.



**FIG. 5**

# ELIMINATOR PLUS BELT DIAGRAM TOP VIEW



## BELT DIAGRAMS AND V-BELT NUMBER

**LOCATE MOWER MODEL AND CHECK DIAGRAM CALLOUT FOR BELT DIAGRAMS**

MODEL	SIZE	DIAGRAM	MOWER V-BELT	DRIVE V-BELT	BLADE NUMBER	MODEL	SIZE	DIAGRAM	MOWER V-BELT	DRIVE V-BELT	BLADE NUMBER
1342	42"	M	1860810		1871356	18422	42"	I	1185651		1721299
1349	48"	G	1724943		1738571	18423	42"	I	1185651		1721299
1954	54"	M	1725502		1725522	18440	32"	E	1713853		1715971
10038S	38"	C	1820209		NOTE 5	18441	32"	L	1716307		1715289
15100	28"	A	1722344		1715216	18442	32"	L	1716307		1715289
15101	32"	B	1724148	1732582	1715289	18445	32"	E	1713853		1713692
15114	38"	B	1716557	"	1714727	18446	38"	L	1714799		1714727
15115	42"	B	1736903	"	1727926	18449	38"	L	1716307		1714727
15550	30"	S	1813223	Note 1	1813169	18457	42"	I	1185651		1716764
15570	42"	T	1728133	1743876	1727926	19101	28"	F	1715213		1715216
17350	48"	G	1724943		1738571	19102	32"	F	1724148		1715289
17660	60"	U	1749458		1738742	19107	28"	F	1715213		1715216
18001	32"	K	1714799		1715289	19108	32"	K	1714799		1715289
18006	32"	K	1714799		1715289	19209	48"	O	1724943		1726138
18007	32"	K	1716557		1714727	19210	48"	I	1724943		1726138
18048	48"	I	1718653		1718638	19211	48"	I	1724943		1738571
18049	48"	I	1718653		1726138	19212	54"	M	1725502		1725522
18070	54"	M	1725502		1722883	19303	32"	K	1714799		1715289
18071	54"	M	1725502		1722883	19307	38"	K	1716557		1714727
18110	54"	M	1725502		1725522	19342	42"	I	1185651		1717251
18300	42"	J	1728133	NOTE 2	1727926	20042S	42"	P	1736903	1744493	1729926
18301	48"	J	1728133	NOTE 3	1738571	30036S	36"	R	1746823		NOTE 6
18335	42"	N	1728133	NOTE 2	1736560	30042S	42"	D	1743875		1727926
18336	48"	N	1736903	NOTE 3	1726138	30042R	42"	H	1743875		1727926
18338	48"	Q	1737187	NOTE 2	NOTE 4	30048S	48	D	1743725		1738571
18415	38"	K	1724148		1714727	50042S	42"	O	1746823		1727926
18416	38"	K	1724148		1714727	50048R	48"	P	1724943		1726138
18417	38"	K	1724148		1714727	50048S	48"	O	1724943		1738571
18418	38"	K	1724148		1714727	50060S	60"	V	1748274		1738742
18420	42"	I	1185651		1717251						
18421	42"	I	1185651		1721299						

**NOTE 1 - Set of two 1745369**

2 - Tecumseh & 11 H.P. B & S Engine 1745369

3 - w/Tecumseh Engine 1739080

- w/B & S Engine 1741577

4 - Center Blade 1737184

- Outside Blades 173185

5 - w/o Grass Catcher 1820196

- with Grass Catcher 1820507

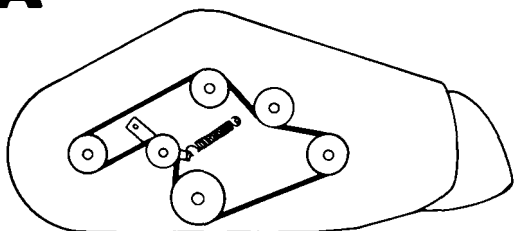
6 - w/o Back Packer 1747640

- with Back Packer 1748302 L.H. 1748303 R.H.

*single 1736903 = CK SERIAL # on  
BASE UNIT FOR BOET  
PART #*

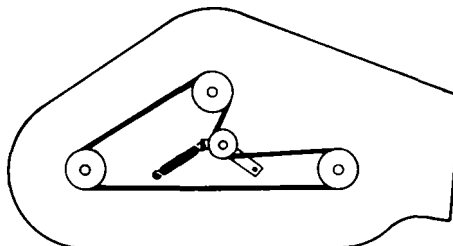
**BELT DIAGRAMS (CONT'D)**

**A**



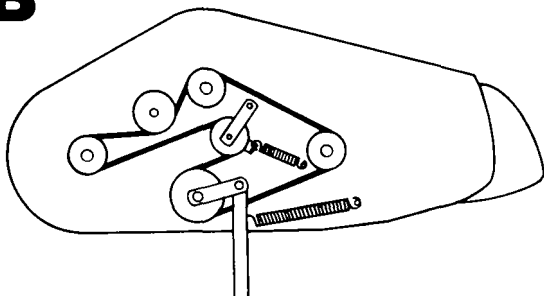
**MODEL 15100**

**E**



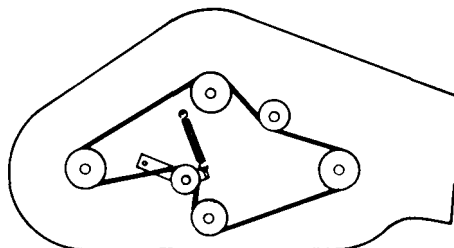
**MODELS 18440 & 18445**

**B**



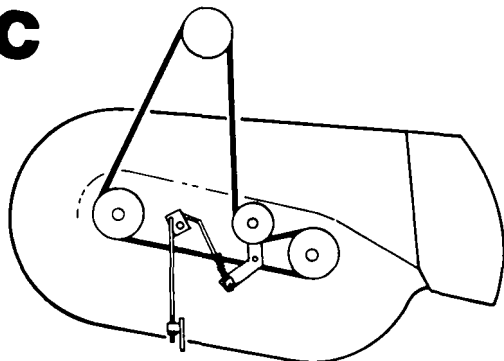
**MODELS 15101, 15114 & 15115**

**F**



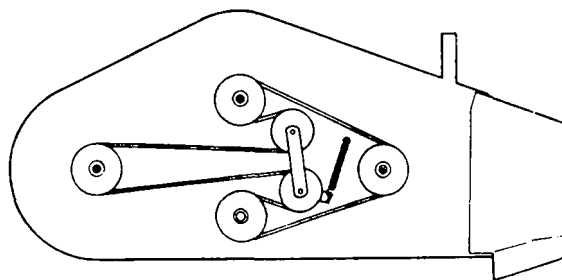
**MODELS 19101, 19102 & 19107**

**C**



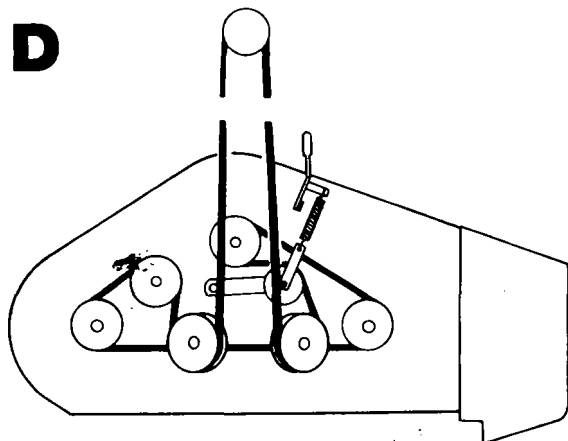
**MODEL 10038S**

**G**



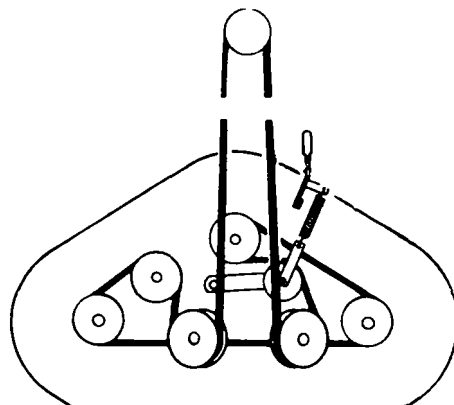
**MODELS 1349 & 17350**

**D**



**MODEL 30042S & 30048S**

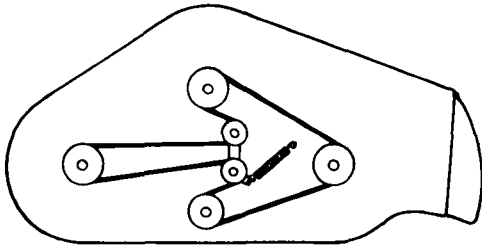
**H**



**MODEL 30042F**

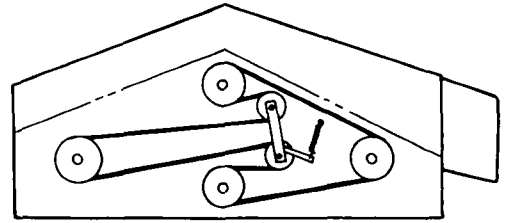
**BELT DIAGRAMS (CONT'D)**

**I**



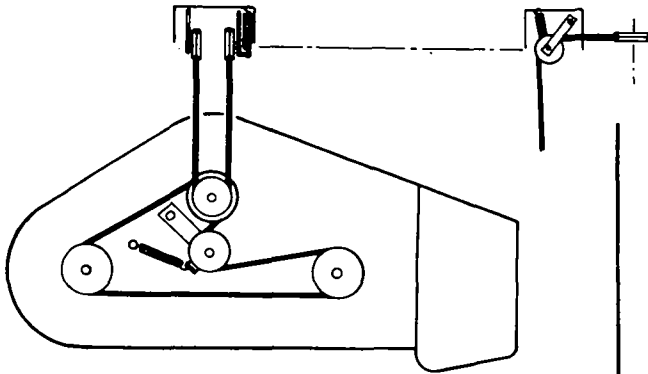
**MODELS** 18048 18421 18457 19342  
 18049 18422 19210 50048S  
 18420 18423 19211

**M**



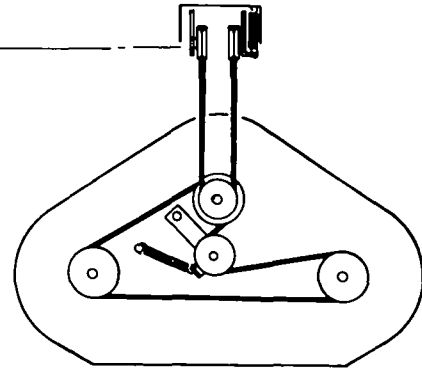
**MODELS** 1342 18070  
 1954 18071  
 18110 19212

**J**



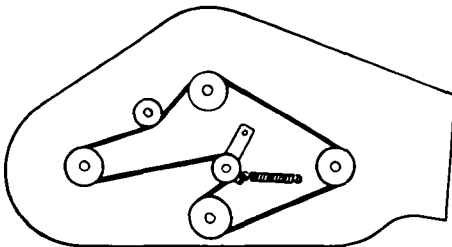
**MODELS** 18300 & 18301

**N**



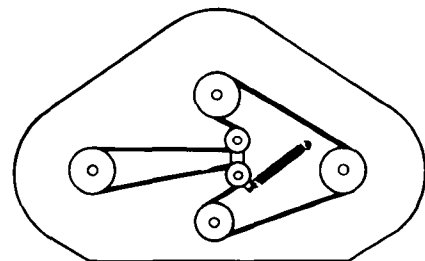
**MODELS** 18335 & 18336

**K**



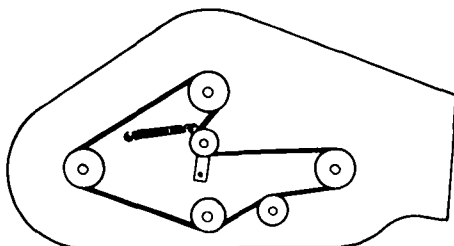
**MODELS** 18001 18415 18418 19307  
 18006 18416 19108  
 18007 18117 19303

**O**



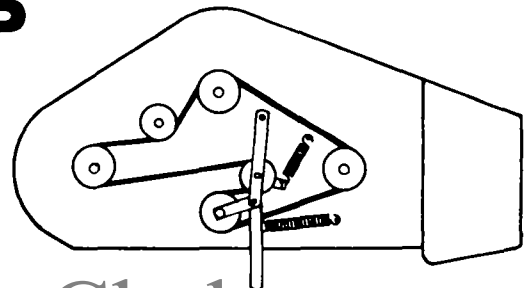
**MODELS** 19209 & 50048R

**L**



**MODELS** 18441 18446  
 18442 18449

**P**

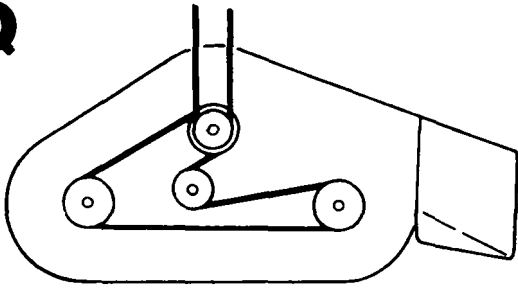


**MODEL** 20142S



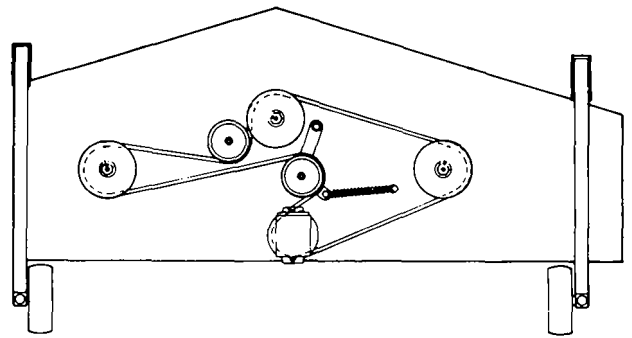
**BELT DIAGRAMS (CONT'D)**

**Q**



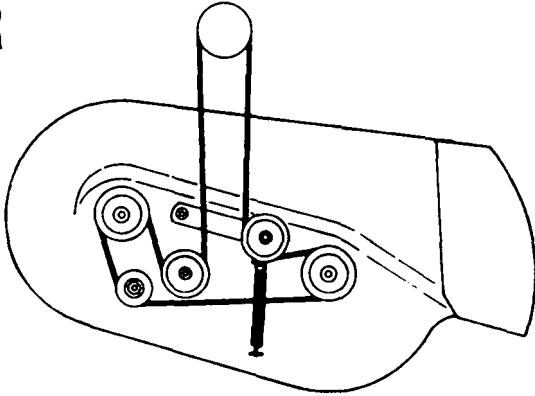
**MODEL 18338**

**U**



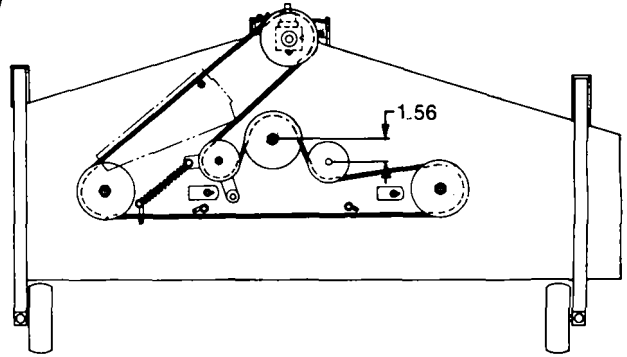
**MODEL 50060**

**R**



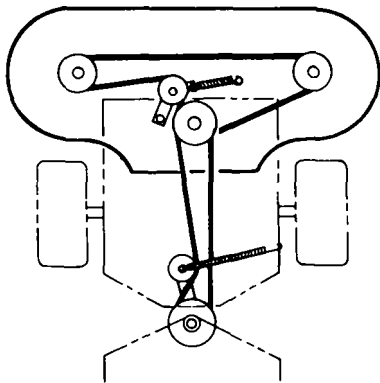
**MODEL 30036S**

**V**



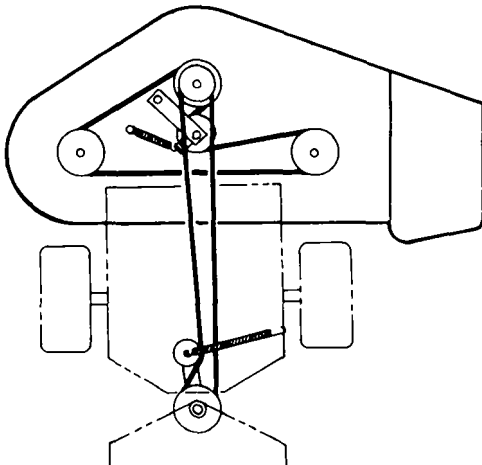
**MODEL 17660**

**S**



**FRAME STEER MODEL 15550**

**T**



**FRAME STEER MODEL 15570**

## V-BELT INFORMATION

Below is a list of NLA (No Longer Available) V-belts. These belts have been discontinued and are no longer stocked at the factory.

PART NUMBER	CROSS SECTION	EFFECTIVE LENGTH		PER SET	PART NUMBER	CROSS SECTION	EFFECTIVE LENGTH		PER SET
		(Inches)	(cm)				(Inches)	(cm)	
1108460	4 L	27	69	1	1711845	B	44.5	113	1
1108461	A	28	71	1	1711959	A	58	147	1
1108468	A	35	89	1	1712687	5 L	47	119	1
1108475	A	42	107	1	1712911	5 L	29.686	75	1
1108485	A	52	132	1	1713067	A	29.125	74	1
1108488	A	55	140	1	1713716	4 L	35	89	1
1108536	B	27	69	1	1714041	4 L	32.875	84	1
1108544	5 L	35	89	1	1714106	A	21	53	1
1185434	3 L	37	94	1	1714107	A	46	117	1
1185487	3 L	32	81	1	1714285	A	23	58	1
1700101	A	24	61	3	1714785	4 L	30	76	1
1705061	A	20	51	1	1715006	5 L	34	86	1
1706238	A	34	86		1717120	Auto	43.5	110	2
1706907	A	24	60		1717837	Auto	59.5	151	1
1708771	A	38.6	98	1	1731579	0	37	94	1
1709698	B	43.051	109	1	1800366	Special	35.8	91	1
1710555	4 L	28	71	1					
1710556	4 L	50	127	1					
1710812	4 L	22	56	1					
1710957	4 L	21.5	55	1					

The effective length of a V-belt cannot be accurately measured using a tape or other straight measuring tool. A special belt measuring device must be used. Effective length is not necessarily the same as outside length.

## CROSS SECTION INFORMATION

BELT					BELT				
CROSS SECTION	WIDTH		THICKNESS		CROSS SECTION	WIDTH		THICKNESS	
	Inches	mm	Inches	mm		Inches	mm	Inches	mm
A	1/2	12.7	11/32	8.7	<b>SPECIAL</b> 1800366	9/16	14.3	11/32	8.7
B	21/32	16.7	7/16	11.1					
HA	1/2	12.7	5/16	7.9					
HB	43/64	17.0	7/16	11.2					
J	35/64	14.0	5/32	4.0					
O	3/8	9.5	7/32	5.6					
3 L	13/32	10.3	7/32	5.6	<b>AUTO</b>				
3 L-Mod.	13/32	10.3	1/4	6.4	1717120	9/16	14.3	3/8	9.5
3 V	3/8	9.5	5/16	7.9	1717837	9/16	14.3	13/32	10.3
4 L	17/32	13.5	9/32	7.1					
5 L	21/32	16.7	11/32	8.7					

## MODEL 18338 MOWER

### MOWER BELT ADJUSTMENT

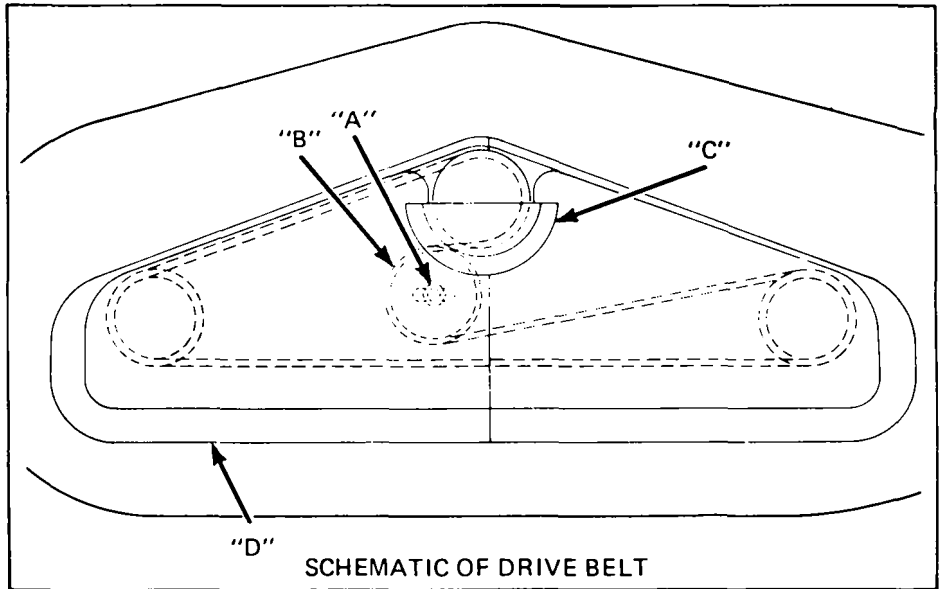
This belt is located on top of mower deck under the belt covers. This belt is properly adjusted at the factory. After the first 4 hours of use, adjust belt.

1. Remove mower from tractor.
2. Remove the pulley guard (C).
3. Remove the left-hand belt cover, (D).
4. Loosen the idler pulley bolt, (A).
5. Pry idler pulley (B) to the left (use large screw driver or bar) to tighten belt as much as possible.
6. Retighten the idler pulley bolt.
7. Reinstall belt cover and pulley guard.

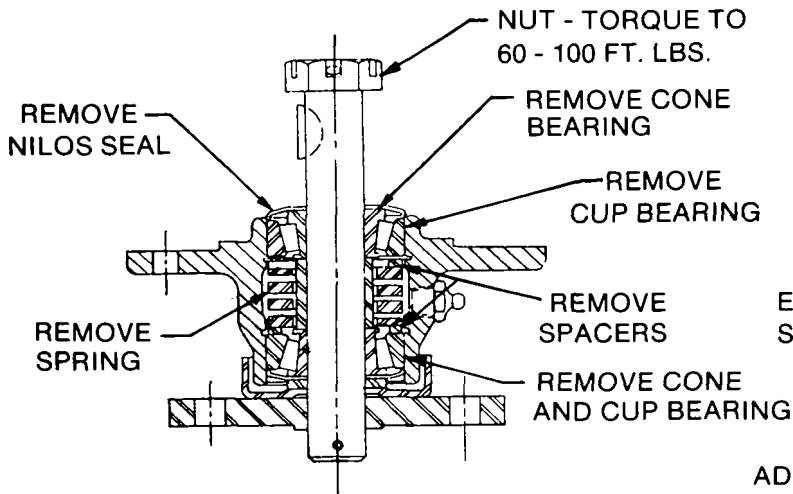
### NOTE

Check this adjustment each time mower is off of tractor. To check, turn mower up-side-down. Block center blade to keep blade from turning. Turn left-hand or

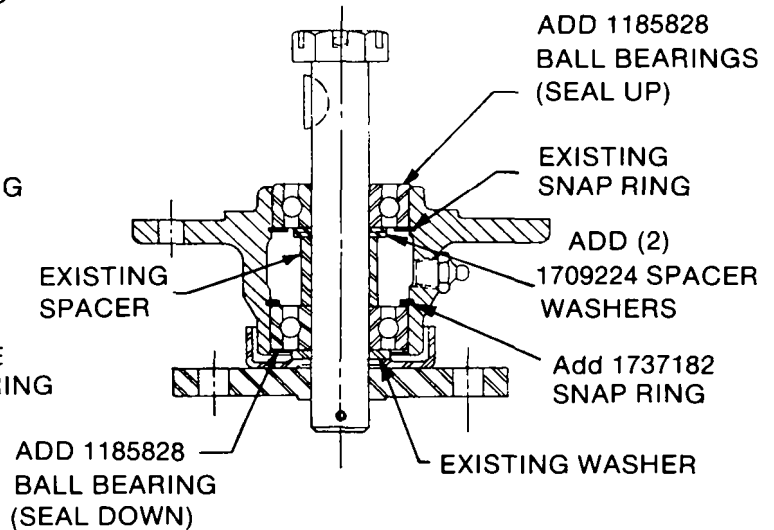
right-hand blade (be careful of sharp edge). If blade turns freely, belt requires adjustment.



### MODEL 18338 MOWER SPINDLE (CONE BEARING DESIGN)

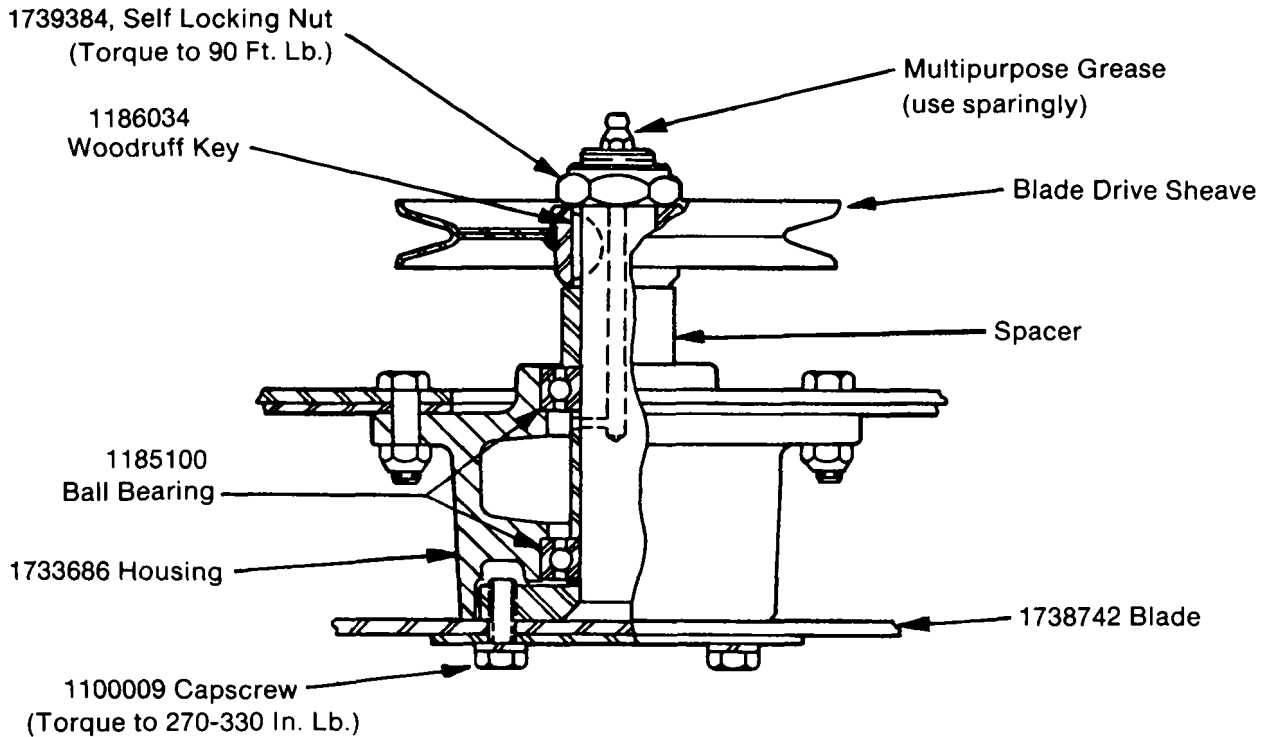


### MODEL 18338 MOWER SPINDLE (ROLLER BEARING DESIGN)



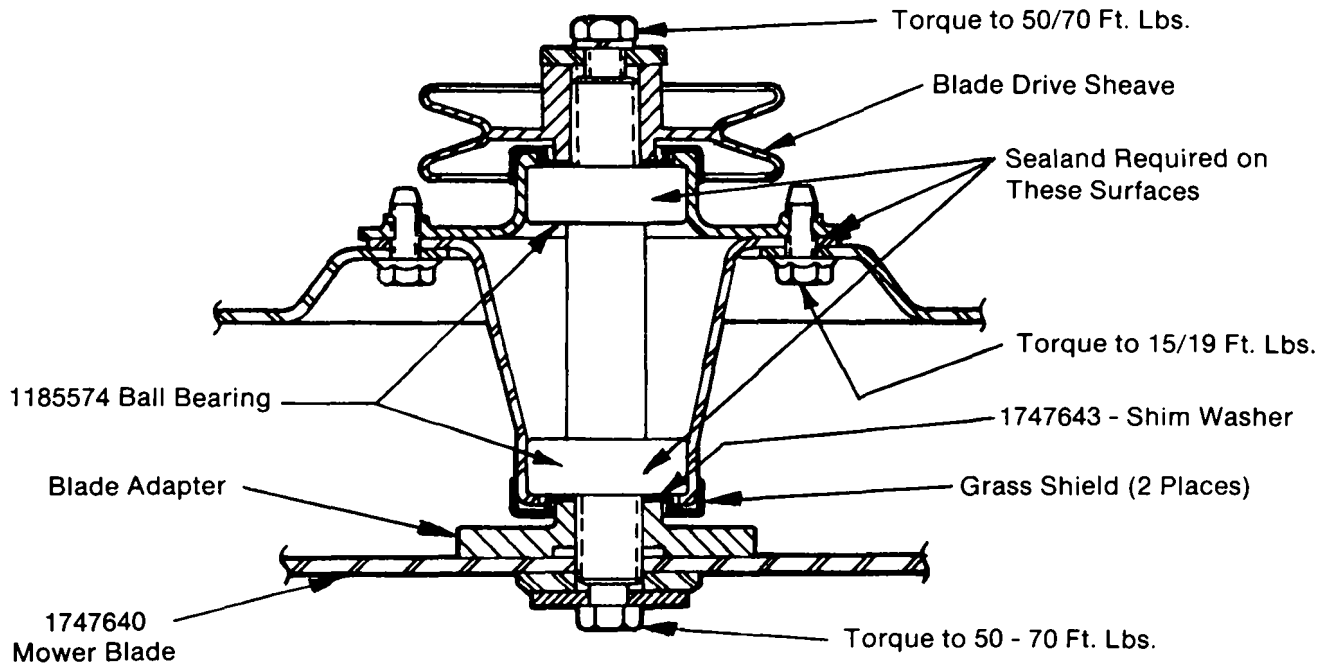
## MOWER SPINDLE ASSEMBLY

### MODELS 17660 AND 50060



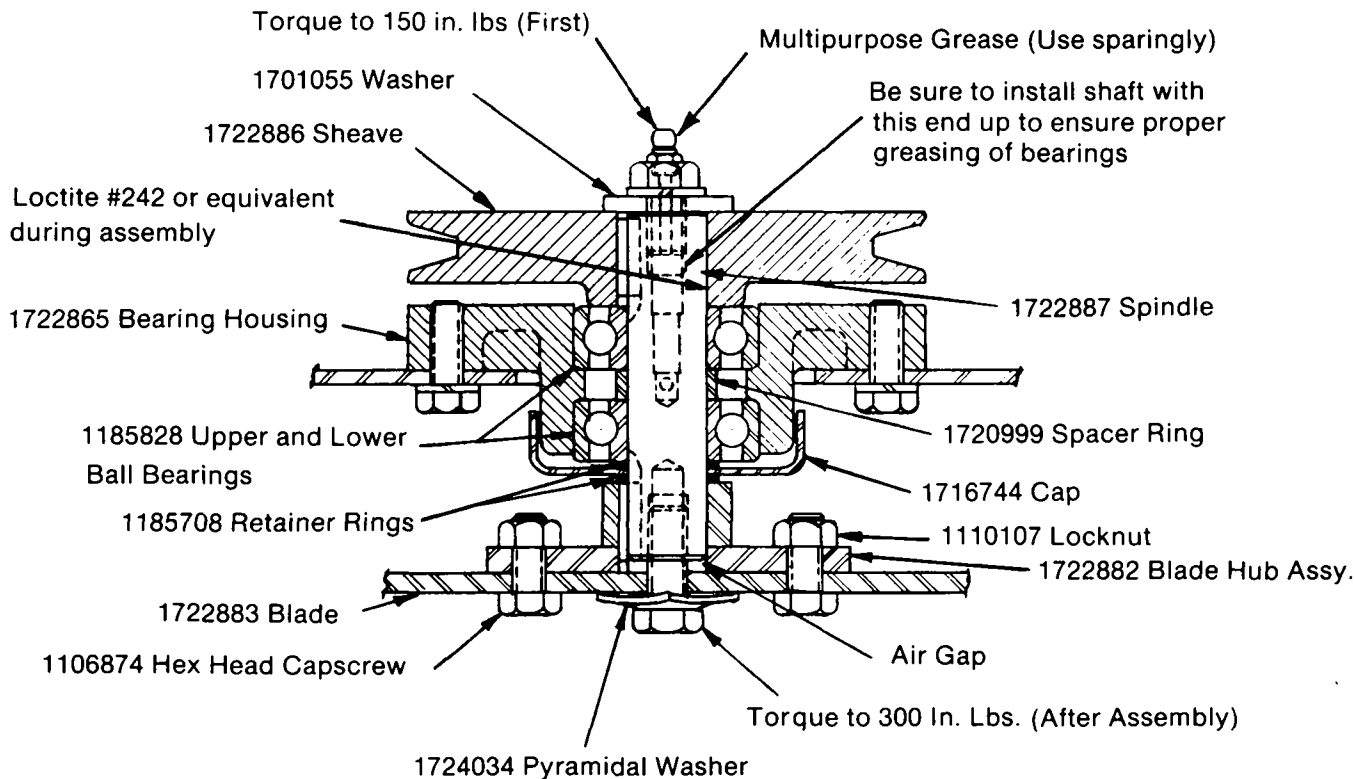
## MOWER SPINDLE ASSEMBLY

### MODELS 1136 AND 30036

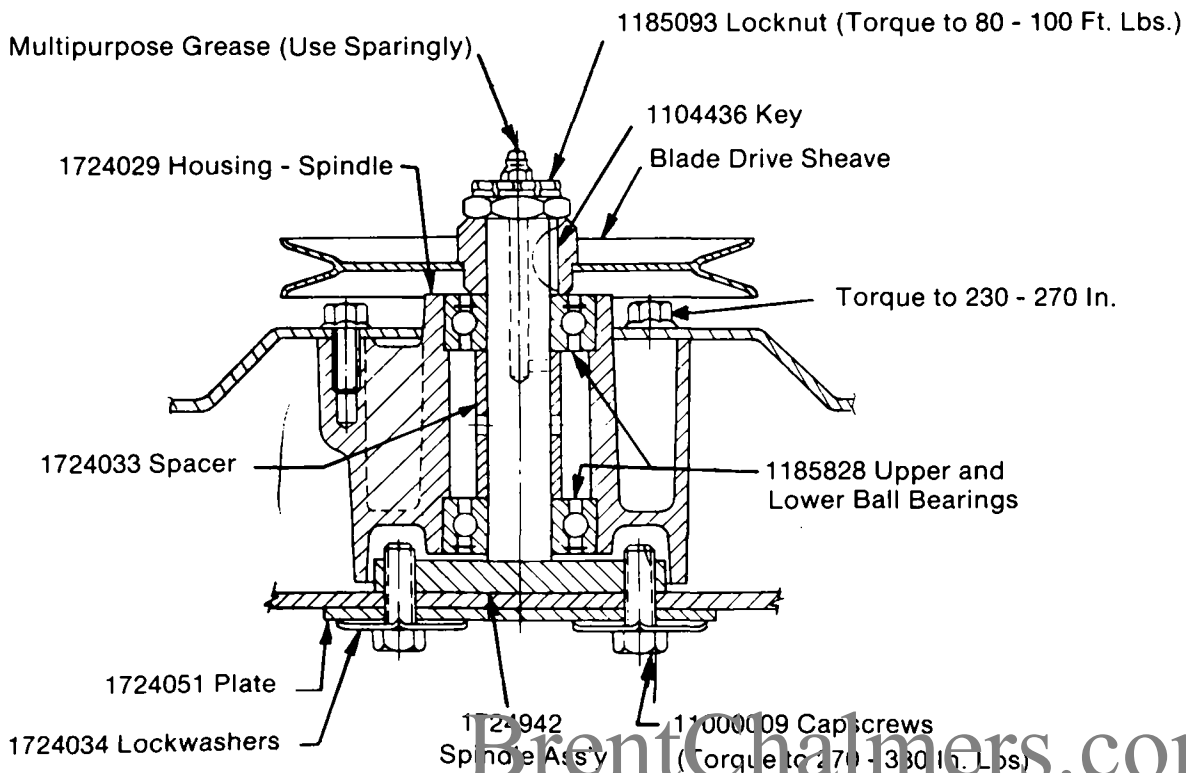


**MOWER SPINDLE ASSEMBLIES**

**MODELS 18070 AND 18071**



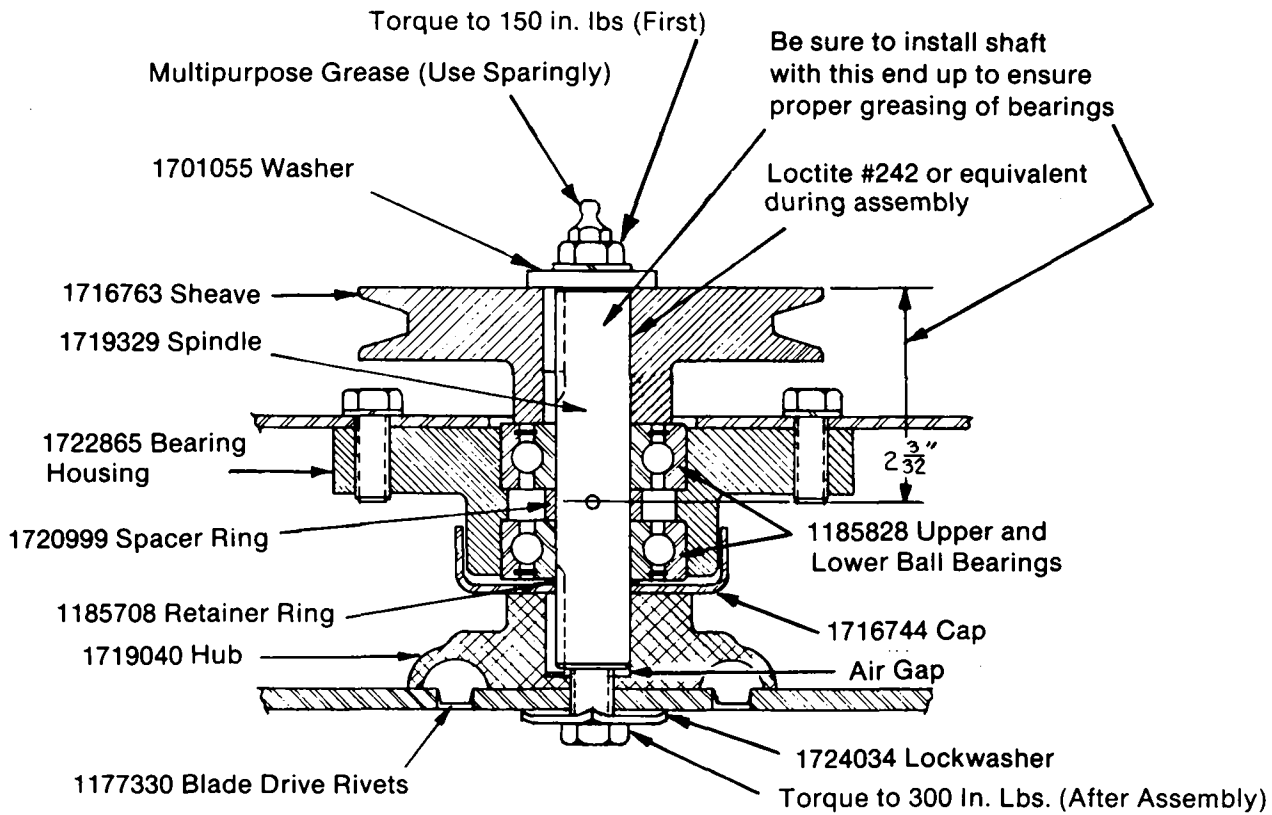
**MODELS 1134, 1349, 1954, 18049-04 AND UP, 18110, 18300, 18301, 18335, 18336, 19209, 19210, 19211, 19212, 17350, 20042, 30042S, 30048S, 50042S, 50048R, & 50048S**



## MOWER SPINDLE ASSEMBLIES (CONT'D)

MODELS 18048, 18049-01 thru 03, 18420,

18421, 18422, 18423, and 18457



### ASSEMBLY INSTRUCTIONS FOR ABOVE SPINDLE

1. Spread thin film of Loctite #242 on shaft and on one side of flat washer #1701055.
2. Assemble spindle as illustrated making sure grease hole is 2 -  $\frac{3}{32}$ " from sheave end and wetted side of flat washer is against sheave. Finger tighten blade bolt and torque sheave bolt to 150 in. lbs.
3. Once sheave bolt is torqued then the blade bolt is torqued to 300 in. lbs. Grease spindle.

**NOTE:** The air gap between the hub #1719040 and the end of the shaft is important.

## BOLENS CAST IRON GEAR CASE ASSEMBLY & DISASSEMBLY

- 1718650 Gear Case for 18048 and 18049 48" C. M. Mowers
- 1718650 Gear Case for 18070, 18071 and 18110 54" C.M. Mowers
- 1718740 Gear Case for 18044, 18100 and 18103 Snowthrowers (Single Stage for Large Frame)
- 1717569 Center Gear Case for 19601 Mower (G-K)
- 1717570 L.H. Blade Gear Case for 19601 Mower (G-K)
- 1717577 R.H. Blade Gear Case for 19601 Mower (G-K)
- 1717475 Gear Case for 19602 Snowthrower (G-K)

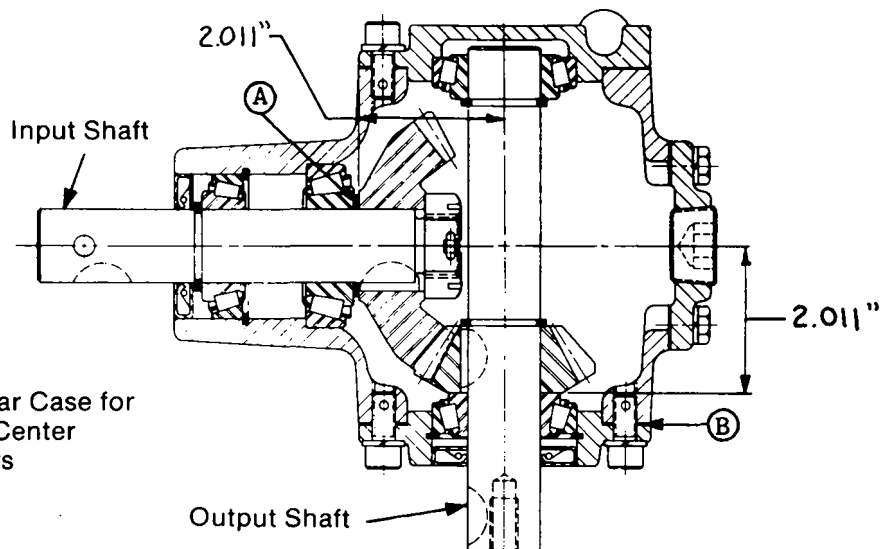
### GEAR CASE DISASSEMBLY

1. Remove cover and drain oil out of case.
2. Remove both bearing retainers; then remove output shaft, pinion gear and bearing cone as an assembly.
3. Remove retaining rings, bearing cones and pinion gear from output shaft.
4. Remove cotter pin, slotted nut, gear, woodruff key, and shims from input shaft, and press shaft out of housing. This will also remove the oil seal and outboard bearing cone.
5. Remove the input bearing cups.
6. Replace worn parts and clean reusable parts.

### GEAR CASE REASSEMBLY

**NOTE:** If the gear case is to be replaced order Part # 1719710. This gear case can be made into all of the above gear case assemblies. It includes the bearing cup and cone and all the necessary shims at reference point A of figure below; it will not be necessary to measure this case for proper input gear alignment.

1. Install breather in case and assemble parts so breather ends up on the top side. Install retaining ring and press the outside input shaft bearing cup in place. Install Woodruff key, shims and upper cone; then insert into case and install lower cone and retaining ring. Install gear, slotted nut and cotter pin. Correct adjustment of the input shaft is free turning with no end play.
2. Install output shaft assembly in case using two gaskets (.0075 each) on gear side of case. Refer to Reference Point B below.
3. On the other end of case use enough gaskets to remove all shaft end play. If gear backlash does not measure between three and six thousandths, it will be necessary to add or remove gaskets. If backlash is too great, remove gasket from gear side and place it on opposite side. To increase backlash, remove a gasket from the bearing cup end and place in the gear end. After backlash is adjusted check output shaft to make sure there is no end play. **CORRECT ADJUSTMENT IS FREE TURNING WITH NO END PLAY.**
4. Install seals using 1718438 sleeve, then 1718443 and 1718442 driver. Fill case with one-third quart (11 oz.) SAE 90 oil and replace cover. Recheck oil level after gear case is in proper position.



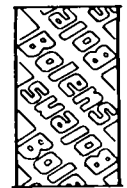
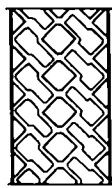
# 1718650 Gear Case for  
48 & 54 Inch Center  
Mount Mowers

## TIRE, CHAIN AND TUBE AVAILABILITY

Tires			Corresponding Chain		Corresponding Tube	
Size	Part Number	Tread Style	Size	Part Number	Size	Part Number
4.10/3.50-4	1750794	Lawn & Garden	4.10 x 3.50 x 4	1750823	4.10 x 3.5 x 4	1724156
4.10/3.50-4	1724157	Knob	4.10 x 3.50 x 4	1750823	4.10 x 3.50 x 4	1724156
4.10/3.50-6	1725299	Sno Track	4.10 x 3.50 x 6	1725381	4.10 x 3.50 x 6	1707999
4.80/4.00-8	1727902	Lawn & Garden	4.80 x 4.00 x 8	1715616	4.80 x 4.00 x 8	1724151
5.70/5.00-8	1719153	Super Rib	N/A	N/A	4.80 x 4.00 x 8	1724151
13 x 5.00-6	1725302	Sno Track	13 x 5.00 x 6	1725382	4.10 x 3.50 x 6	1707999
13 x 5.00-6	1813758	Lawn & Garden	13 x 5.00 x 6	1725382	4.10 x 3.50 x 6	1707999
13 x 5.00-6	1732469	Softrack	13 x 5.00 x 6	1725382	4.10 x 3.50 x 6	1707999
13 x 6.50-6	1725305	Sno Track	13 x 6.50 x 6	1725383	4.10 x 3.50 x 6	1707999
15 x 6.00-6	1750354	Skid				
16 x 6.50-8	1726307	Lawn & Garden	16 x 6.50 x 8	1716185	16 x 6.50	1735720
16 x 6.50-8	1732957	Rib	16 x 6.50 x 8	1716185	16 x 6.50	1735720
16 x 6.50-8	1732927	Softrack	16 x 6.50 x 8	1716185	16 x 6.50	1735720
16 x 6.50-8	1750353	Skid	16 x 6.50 x 8	1716185	16 x 6.50	1735720
16 x 6.50-8	1813208	Lawn & Garden	16 x 6.50 x 8	1716185	16 x 6.50	1735720
16 x 7.50-8	1732467	Softrack	16 x 7.50 x 8	1723180	16 x 6.50	1735720
16 x 7.50-8	1742388	Lawn & Garden	N/A	N/A	N/A	N/A
18 x 8.50-8	1732925	Softrack	18 x 8.50 x 8	1738417	16 x 6.50	1735720
18 x 8.50-8	1734851	Rib	18 x 8.50 x 8	1738417	16 x 6.50	1735720
18 x 9.50-8	1737319	Softrack	18 x 9.50 x 8	1738418	N/A	N/A
20 x 8.00-10	1720164	Lawn & Garden	20 x 8.00 x 10	1745130	N/A	N/A
20 x 8.00-10	1742466	Softrack	20 x 8.00-10	1745130	16 x 6.50	1735720
20 x 8.00-10	1750352	Skid	20 x 8.00-10	1745130	N/A	N/A
20 x 8.50-10	1820143	Softrack	20 x 8.50 x 10	1745130	N/A	1701475
22 x 7.50-12	1820390	Softrack	22 x 7.50 x 12	1863382	N/A	N/A
23 x 8.50-12	1716971	Agriculture	N/A	N/A	6 x 12	1701475
23 x 8.50-12	1727901	Lawn & Garden	23 x 8.50 x 12	1716190	6 x 12	1701475
23 x 8.50-12	1733081	Softrack	23 x 8.50 x 12	1716190	6 x 12	1701475
23 x 9.50-12	1728656	Lawn & Garden	23 x 10.50 x 12	1721585	6 x 12	1701475
23 x 10.50-12	1723199	Agriculture	N/A	N/A	6 x 12	1701475
23 x 10.50-12	1732926	Softrack	23 x 10.50 x 12	1721585	6 x 12	1701475
26 x 12-12	1718298	Agriculture	N/A	N/A	26 x 12.00-12	1734132
26 x 12-12	1732924	Softrack	26 x 12 x 12	1718284	26 x 12.00-12	1734132
27 x 8.50-15	1718243	Agriculture	N/A	N/A	N/A	N/A
27 x 8.50-15	1717204	Lawn & Garden	N/A	N/A	N/A	N/A



# WALK BEHIND MOWERS WHEELS AND TIRES



"T"

Checkerboard

Grooved

Rib

Bolens

<u>MODEL</u>	<u>S/N</u>	<u>REAR</u>	<u>FRONT</u>	<u>TREAD</u>	<u>COMMENTS</u>
8118	01	1822007	1822021	Rib	Plastic - Rear
8352	01	1737547	1737547	Checkerboard	Plastic - 7.8"
	02	1747825	1747825	"T"	Plastic - 8.0"
	03	1749491	1749491	Bolens	Steel - 8.0"
8362	01	1747830	1737547	Checkerboard	Plastic - 7.8"
	02	1747827	1747825	"T"	Plastic - 8.0"
	04	1751840	1749491	Bolens	Steel - 8.0" (rear w/gear)
8364	01	1749490	1749491	Bolens	Steel - 8.0" (rear w/gear)
8372	01	1747830	1737547	Checkerboard	Plastic - 7.8"
	02	1747827	1747825	"T"	Plastic - 8.0"
	04	1751840	1749491	Bolens	Steel - 8.0" (rear w/gear)
8521	01	1747825	1747825	"T"	Plastic - 8.0"
	02	1751839	1751839	Bolens	Steel - 8.0"
8548	01	1725667	-----	Smooth	Plastic - 7.8"
		-----	1723679	Checkerboard	Plastic - 7.8"
8554	01	1731201	-----	Smooth	Plastic - 7.8"
		-----	1731200	Checkerboard	Plastic - 7.8"
	02/03	1725667	-----	Smooth	Plastic - 7.8"
		-----	1723679	Checkerboard	Plastic - 7.8"
8555	01/02	1731201	-----	Smooth	Plastic - 7.8"
		-----	1731200	Checkerboard	Plastic - 7.8"
	03/04	1725667	-----	Smooth	Plastic - 7.8"
		-----	1723679	Checkerboard	Plastic - 7.8"
8556	01	1725667	-----	Smooth	Plastic - 7.8"
		-----	1723679	Checkerboard	Plastic - 7.8"
8610	01 to 03	1746745	1746745	Grooved	Plastic - 7.0"
8618	01	1732826	1732826	Smooth	Plastic - 7.0"
	02/03	1734310	1734310	Smooth	Plastic - 7.0"
8623	01	1725667	1725667	Smooth	Plastic - 7.8"
	02	1747825	1747825	"T"	Plastic - 8.0"
	03	1751839	1751839	Bolens	Steel - 8.0"
8638	01	1725667	1725667	Smooth	Plastic - 7.8"
8639	01	1747825	1747825	"T"	Plastic - 8.0"
8642	01	1744266	-----	Smooth	Plastic - 7.8"
		-----	1723679	Checkerboard	Plastic - 7.8"
8643	01	1725667	1723679	Smooth/Checker	Plastic - 7.8"
	02	1747825	1747829	Checkerboard	Plastic - 7.8"
	03	1751839	1751838	Bolens	Steel - 8.0"
8644	01	1731201	-----	Smooth	Plastic - 7.8"
		-----	1731200	Checkerboard	Plastic - 7.8"
	02/03	1725667	-----	Smooth	Plastic - 7.8"
-----	1723679	Checkerboard	Plastic - 7.8"		
8647	01	1751839	1751838	Bolens	Steel - 8.0"
8648	01/02	1725667	-----	Smooth	Plastic - 7.8"
		-----	1723679	Checkerboard	Plastic - 7.8"
8649	01	1725667	-----	Smooth	Plastic - 7.8"
		-----	1723679	Checkerboard	Plastic - 7.8"
8660	01	1735497	1735497	Rib	Plastic - 7.8"
	02	1736354	1736354	Checkerboard	Plastic - 7.8"
8661	01	1736089	-----	Checkerboard	Plastic - 7.8"
		-----	1736354	Rib	Plastic - 7.8"
8668	01	1736089	-----	Checkerboard	Plastic - 7.8"
		-----	1736354	Rib	Plastic - 7.8"

## SERVICE BULLETINS LISTED BY SUBJECT

<u>WARRANTY</u>	<u>NUMBER</u>	<u>SUBJECT</u>
	186	Delco-Remy warranty and service parts
	311	Owner registration
	311C	Magnuson-Moss warranty act (U.S. only)
	313	Owner registration
	344	6888 warranty policy
	346B	New warranty policy - QT17, HT23 and Diesels
	365	New 3 year limited non-commercial policy
	365(supp.)	New 3 year limited non-commercial policy
 <u>MISCELLANEOUS</u>		
	316	Resistor spark plug chart
	324	Parts shortage procedure
	348	Use of gasohol and unleaded fuel
 <u>WALKING MOWERS</u>		
8545, 9545	262	Pre-delivery instructions for wiring
8554, 8555	351	Vent hole for carburetor
8554, 9644	306	Drive control bar/interlock pre-delivery check
8555	349	Incorrect wiring harness
8661, 8668	335 Rev.	Trouble-shooting drive system
Electric Start Mowers	307	Change from Delco to G.E. batteries
General	312	Primer kit for Tecumseh Automagic carburetors
8364	367	Blade/Brake/Clutch Installation
Eliminator Plus	368	Drive Cable Replacement Kit
Eliminator Plus	371	Belt Roll-Over
Eliminator Plus	372	General Updating Procedure
 <u>TILLERS</u>		
2135	264 Rev.	Obtaining positive neutral
 <u>SNOW THROWERS</u>		
225, 350, 500	342	Gas caps, primer bulb and line
	343	Scraper bar and hardware
225, 350, 500 (-02's)	355	Engine pulley alignment
350	339	Instrument panel bracket
350, 350E	338	Governor arm/heat shield contact
350, 500	336	Engine oil fill
500, 500E	346	Elimination of top louver
524, 625, 826	314	Auger drive belt brake pre-delivery check
524, 724, 826, 1032	329	Snow thrower shield #1738068
524, 726, 832	219	Belt damage caused by engine sheave
	220	Check grips, chute control and electric start kit
	221	Drive extension spring breakage
726, 832	246	Procedure for tightening aluminum drive disc
	251	Installation of chute control crank
826-06, 1026-04, 1032-04	359	Tapered drive pin replacement
 <u>SMALL FRAME (STAMPED) TRACTORS</u>		
812, 814, 1113	331	Seat activated PTO switch
	341	Steering support with stops
813	203	Locknut on brake assembly
	326	Axle shaft retaining ring installation (type 08 models)
	361	5'10", 32" mower rear lift stiffener

## SERVICE BULLETINS LISTED BY SUBJECT (Con't)

<u>MODEL</u>	<u>NUMBER</u>	<u>SUBJECT</u>
<b><u>RIDING MOWERS/FRAME STEER</u></b>		
528, 830, 831 728	328 205 212 216 245	Steering rod/tie rod assembly Front wheel alignment, toe-in Drive belt adjustment Transmission and drive belt maintenance tips Wear at steering shaft bushing
828, 829	290 309 294	Recall, replace rear axle assembly Follow-up to axle replacement recall Ground drive belt slippage
829	258 296	Insufficient ground lead for starting circuit Dust cover breakage on electric starters
830, 831	356	Mower leveling
831/1134	353	Battery holddown
940	352	Differential conversion
940, 942	363	Steering Kit #1813600
942	357 360	Pre-delivery set-up instructions 15570 Mower Height Adj. Handles
<b><u>TUBE FRAME TRACTORS</u></b>		
800, 850, 900, 1000, 1050, 1053, 1054, 1220, 1225, 1253, 1254, 1257	235	Plastic replacement gas tank
1054, 1254, 1256, 1556	197 Rev.	Frame reinforcement
1225, 1256, 1257	170	Hydrostatic control arm removal and replacement
1256, 1556, 1656	236	Replacement brake rod, more positive braking
1453, 1656	317	Starter-solenoid lead replacement
		Also see Eaton Model 10 hydrostatic on page 88
<b><u>MEDIUM FRAME TRACTORS</u></b>		
1458	318	Procedure to improve ground circuit
<b><u>3000 SERIES TRACTORS</u></b>		
3011G, 3016G	364 369	Recall for brake pivot nut Alternator Plug Lead Wires Reversed
<b><u>Q SERIES &amp; 5000 SERIES TRACTOR</u></b>		
1660, 1666	293	Hair-line crack in rear axles
1666	227 240 247 287 300 362	Fuel line clamp kit Changes in seat springs and gas tank 19250 push arm, bell crank information Air cleaner breather maintenance Driveshaft vibration Models 19211, 50048S & 50048R PTO driveshaft length
		Also see Sunstrand hydrostatic on page 88

## SERVICE BULLETINS LISTED BY SUBJECT (Con't)

<u>MODEL</u>	<u>NUMBER</u>	<u>SUBJECT</u>
<b><u>LARGE FRAME TRACTORS</u></b>		
1250, 1455, 1476, 1886	208	Driveshaft vibration and replacement parts
1250, 1455, 1476, 1477, 1886	188 Rev.	Travel pedal dampner adjustment
1886	207	Engine driveshaft adjustment
1886, 2086	242	Oil pressure readjustment
1886S-05-06, 2086, 2087, 2389	347	Telescoping driveshaft
2086, 2087	249	Engine pulse pump relocation
2087	248	Install baffle kit between gas tank and muffler
	267A	Recall to shorten pulse pump/carburetor fuel line
	268	Shorten pulse line between pump and engine breather
	293	Hair-line crack in rear axles
2289	346A	General engine information
	350	Inadequate engine ground
2389S-02	366	Power steering ball joint, hydraulic hose replacement. New ball joint interference with 48" Snow Thrower installation.

Also see Eaton Model 12 and Sundstrand hydrostatics on page 88.

### **TRACTOR ATTACHMENTS**

1948	345	Installation of nylon washer on chute control
15101-07	361	Installation of reinforcement hitch brackets
15104	340	Drive pulley alignment
18025, 18090, 18093	231	Chain drive tiller interchangeability
18071, 18423	275	Servicing mower spindles
18093, 18618, 19230	270 Rev.	Non-interchangeability of tine shafts and hubs
18309	325	Alignment of PTO and engine sheaves
18335	333	Incorrect gauge wheels
18722	320	Installation on 1055 tractors
19210	332	Lift link kit
19212	330	Mower hanger modification to improve braking
Cozy Cab	244	Carbon monoxide tests and baffle kit
	277	Installation on large frame tractors
Cozy & Original Cabs	337	Steering wheel interference

## SERVICE BULLETINS LISTED BY SUBJECT (Con't)

<u>MODEL</u>	<u>NUMBER</u>	<u>SUBJECT</u>
<b><u>HYDROSTATICS</u></b>		
<b><u>Eaton Model 6</u></b>		
166 (775), 736	200	Available repair parts
	334	Recommended fluids for hydrostatics
<b><u>Eaton Model 10</u></b>		
194 (1225), 1256, 1257, 1456, 1556, 1656	170	Control arm removal
	187	Change in hydrostatic oil line
	199	Abnormal wear to hydraulic cylinder guide 1721630
	201	Available repair parts
	284	Identification of different Eaton Model 10 units
	334	Recommended fluids for hydrostatics
<b><u>Eaton Model 11</u></b>		
1058, 1458, 1658, 1666-05 & up, 2389	334	Recommended fluids for hydrostatics
Service Parts	358	Service parts availability at Bolens
<b><u>Eaton Model 12</u></b>		
197 (1250), 198 (1455), 1476, 1477, 1886	143	Change from straight to tapered control shaft
	144	Forward-reverse valve cap change
	168	Trouble-shooting check list
	334	Recommended fluids for hydrostatics
<b><u>Sundstrand</u></b>		
1660, 1666-01-04, 1886S, 2086, 2087	241	Charge pressure relief poppet squeal
	260	Transmission noise, output shaft bearing
	271	Charge pump change, ball bearings to needle bearings
	274	Core credit termination
	334	Recommended fluids for hydrostatics

## PRODUCT BULLETIN INDEX

<u>BULLETIN NUMBER</u>	<u>DESCRIPTION</u>	<u>DATE ISSUED</u>
31	Universal joint shipping policies.....	11/15/75
43	18094 PTO kit for attachments requiring 540 RPM .....	7/28/76
51	Self-propelled mower interlock switch failures .....	6/27/77
56	Kwik-Way loader added to line of allied attachments.....	10/4/77
59	HT20 with Johnson loader and Brantly backhoe.....	1/9/78
60	Seat spring conversion kit for older tractors.....	1/12/78
61	E-Z Rake cart covers .....	2/9/78
63	Johnson loader for QT16 discontinued .....	6/16/78
64	HT23 - OSHA requirements.....	11/10/78
68	E-Z Rake lawn & garden sprayer availability.....	1/14/80
70	Cozy Cab availability for tractors.....	1/17/80
77	Supersedes Bulletins 72 & 76, 18322 tiller & 18318 PTO and mower belts for XT tractors.....	12/5/80
79	Snowthrower conversion on Model 942 Frame Steer.....	10/26/81
87	Model 6930 cab availability for 2-stage snowthrowers.....	11/28/83
88	Model 6910 front weight carrier availability for rear engine riders .....	1/16/84
89	Wheel Weights, Model 30902, for Model 30138 snowthrower .....	10/9/84
91	Model 6910 front weight carrier availability.....	5/29/85
92	Villa Rider traction .....	6/19/85
95	Lawn Vacuum (5000 series).....	9/13/85
96	Eliminator Plus control cables .....	9/20/85
98	Villa Rear Steer Rider (Lighter weight, removal of locking latch) Backpacer (introduction of Villa backpacker 6990) .....	1/2/86

## PARTS BULLETIN INDEX

<u>BULLETIN NUMBER</u>	<u>PART NUMBER</u>	<u>DESCRIPTION</u>	<u>DATE ISSUED</u>
79		Universal joint shipping policies .....	2/14/77
82	1725736	Repair kits for 18148 snow thrower control cable .....	3/29/77
97		Discontinuance of service parts for 16465 dump cart .....	11/28/77
99		Parts classification system.....	12/12/77
105	1716103	Lawn keeper transmission engagement problem .....	3/8/78
108	1734363/ 1735596	Spring extension replacement for 828/829 mowers .....	5/25/78
132		Self propelled mower gear shaft assembly .....	11/12/80
135		Onan engine parts .....	11/30/81
136		War on Down Time.....	5/15/84

## DIESEL BULLETINS

### SERVICE BULLETINS

<u>BULLETIN NUMBER</u>	<u>DESCRIPTION</u>	<u>DATE ISSUED</u>
D1	Model 1308 - Starter engagement/clutch lever bracket .....	5/19/78
D2	Model 1308 - PTO shaft slippage/1330 snowthrower .....	11/30/78
D3	Model 1326 - Hydraulic lift cylinder lowering difficulty .....	12/19/78
	Weld nuts on bumper	
	Cold weather hydraulic fluids	
	Front wheels hitting push arm	
D4	Model 1326 - Increasing the hydraulic lift .....	1/9/80
D5	Model 1349 - Incorrect assembly of linkage .....	4/15/80
D6	Model 1300 & 1500 tractor lubrication .....	5/1/81
D7	Model 1502, 1504 & 1704 PTO Kit, Model 1308 installation .....	5/1/81
D8	Model 1502, 1504 & 1704 product information .....	6/23/81
	(Clutch pedal cutoff, 3-point hitch attachments, Overrunning clutch, Implement driveshaft lubrication, Overrunning clutch for rear attachments, Incorrect valve lash spec.)	
D9	Model 1308 - Revision to front bumper on TX 3 cylinder for Model 1308 PTO .....	1/19/82
D10	PTO overrunning clutch, TX 1502/1504 & 1704 .....	10/17/83
D11	Model 1704H Attachment .....	12/4/84
D12	Mounting 17385 and 17405 to 19 HP, 24 HP, 2702 and 2704 .....	6/17/85

### PRODUCT BULLETINS

D3	Model 1400 & 1405 dozer blades replaced by Model 1385 .....	2/28/79
D4	Model 1517 & 1924 front end loader specifications .....	4/30/80
D5	Model 1910, 1910F, 2420 & 2420F power steering availability .....	5/27/81
D6	Model 1349 replaced by Model 17350 .....	6/23/81
D7	Turf tires for 29 H.P. tractors .....	6/10/82
D8	Model 17377 snowthrower for TX 3 cylinder tractors .....	11/12/82
83	Model 17411 front end loader for 27 HP tractors .....	3/14/83
84	The addition of 17353 adapter kit to Model 1517 loader for TX (3 cylinder) tractors	3/14/83
85	Model 17385 backhoe .....	4/26/83

## NEWS LETTERS




<u>DATE</u>	<u>SUBJECT</u>
3/14/83	Misc. Kits & Attachments for Riders and Tractors Hard Cabs part ordering information Engine and Transmission ordering
5/17/83	Eliminator Mower Hinge Cover Clips Model 8372 cold weather primer Model 18114 Power Steering Kit HT23 Engine air filtration system
1/17/84	Model 15124 Snow Thrower attachment Model 18032 Wheel Weight Cruise Control Accessory, 1739017 Model 6, 10 and 12 Eaton Hydro Model 3011 and 3016 Suburban Tractors 17367 Lift Kit for TX1300 and 1500 Tractors Diesel Tractor Warranty
5/11/84	3 Point hitch setup for 2102/2104 Tractors Replacement oil for Diesel Tractor hydraulic system Models 17413 and 17414 Wheel Weights for 2102/2104 and 2702/2704 Wheel Weights, Model 30902, for Suburban Tractors Oil Drain procedure for Walk Behind Mowers Engine block heaters for 21 and 27 HP Diesel Tractors Paint availability
1/23/85	Hydraulic Control Valve Seal Kit, 1721620, for valves 1723405 and 1734335 5000 series lift cable revision Diesel Tractor replacement decals for late 1502/04 and 1704 Tractors Villa 933 set up instructions Diesel Tractor white paint availability Use of 50930 cab on QT Series tractors
4/24/85	Revised Rear Engine Rider drive chain Revised PTO drive belt and steering cable numbers for 933 Villa Hydraulic oil specifications for 5019H Tractors Proper routing of drive control cables on Models 8362, 8364 and 8372 Eliminators Cold Weather operation recommendations
1/24/86	Installation of 18051 Wheel Weights to 17005 Turf Tires. Kohler engine service replacements. Model 8364 blade number correction. Eliminator Plus wheel hub replacements. Walk Behind Mower battery test/charging information. Heavy duty blade spindle for 830/831. Model 940 Frame Steer mower drive belt. Model 17350 mower lift height adjustment.
4/24/86	Model 18110 Gauge Wheel conversion. 8 H.P. Rider engine mount. Eliminator Plus transmission 1744707 inavailability. Model 933/936 set-up instructions. Rider front wheel weight carrier availability. Eliminator Plus Transmission disengagement.



## STANDARD METRIC CONVERSION TABLE

You Know	Multiply By	To Find	You Know	Multiply By	To Find
<b>LENGTH</b>					
Inches	25.40	Millimeters (mm)	Millimeters	0.039	Inches
Inches	2.540	Centimeters (cm)	Centimeters	0.394	Inches
Feet	0.305	Meters (m)	Meters	3.279	Feet
Yards	0.914	Meters (m)	Meters	1.094	Yards
Miles	1.609	Kilometers (km)	Kilometers	0.622	Miles
<b>LIQUID</b>					
Ounces (Fluid)	29.57	Milliliters (mL)	Milliliters	0.034	Ounces (Fluid)
Pints (Liquid)	0.473	Liters (L)	Liters	2.114	Pints (Liquid)
Quarts (Liquid)	0.946	Liters (L)	Liters	1.057	Quarts (Liquid)
Gallons (Liquid)	3.785	Liters (L)	Liters	0.264	Gallons
<b>PRESSURE</b>					
PSI (Pounds Per Square Inch)	6.894	Kilopascals (kPa)	Kilopascals	.0145	PSI
	0.0703	Kilograms per sq. cm	Kilograms per sq. cm	14.223	PSI
<b>TEMPERATURE</b>					
Fahrenheit	(F-32) x .56	Celsius	Celsius	(C x 1.8) +32	Fahrenheit
<b>TORQUE</b>					
Inch Pounds	0.113	Newton-meter (N•m)	Newton-meter	8.850	Inch Pounds
Foot Pounds	1.355	Newton-meter (N•m)	Newton-meter	0.738	Foot Pounds
<b>WEIGHT</b>					
Ounces	28.34	Grams (g)	Grams	0.035	Ounces
Pounds	0.454	Kilograms (kg)	Kilograms	2.203	Pounds
<b>VOLUME</b>					
Bushel	0.035	Cubic Meters (m <sup>3</sup> )	Cubic Meters	28	Bushels

# TORQUE VALUE FOR CAP SCREWS

SIZE	 <b>SAE GRADE 2</b>			 <b>SAE GRADE 5</b>			 <b>SAE GRADE 8</b>		
	Lb. In.	Nm	Kgm	Lb. In.	Nm	Kgm	Lb. In.	NM	Kgm
1/4 - 20	49	5.5	0.6	75	8.5	0.9	108	12.2	1.2
1/4 - 28	56	6.3	0.6	86	9.7	1.0	120	13.6	1.4
	Lb. Ft.			Lb. Ft.			Lb. Ft.		
5/16 - 18	8	10.8	1.1	13	17.6	1.8	18	24.4	2.4
5/16 - 24	9	12.2	1.2	14	18.9	1.9	20	27.1	2.7
3/8 - 16	15	20.3	2.0	23	31.2	3.1	35	47.4	4.8
3/8 - 24	17	23.0	2.3	25	33.9	3.4	35	47.4	4.8
7/16 - 14	24	32.5	3.3	35	47.4	4.8	55	74.5	7.6
7/16 - 20	25	33.9	3.4	40	54.2	5.5	60	81.3	8.3
1/2 - 13	35	47.4	4.8	55	74.5	7.6	80	108.4	11.0
1/2 - 20	40	54.2	5.5	65	88.1	9.0	90	122.0	12.4
9/16 - 12	55	74.5	7.6	80	108.4	11.0	110	149.1	15.2
9/16 - 18	60	81.3	8.3	90	122.0	12.4	130	176.2	18.0
5/8 - 11	75	101.6	10.3	110	149.1	15.2	170	230.4	23.5
5/8 - 18	85	115.2	11.7	130	176.2	18.0	180	243.9	24.9
3/4 - 10	130	176.2	18.0	200	271.0	27.7	280	379.4	38.7
3/4 - 16	145	196.5	20.0	220	298.1	30.4	320	433.6	44.3
7/8 - 9	125	169.4	17.3	320	433.6	44.3	460	623.3	63.7
7/8 - 14	140	189.7	19.3	350	474.3	48.4	500	677.5	69.2
1 - 8	190	257.5	26.3	480	650.4	66.5	680	921.4	94.2
1 - 12	200	271.0	27.7	530	718.2	73.4	740	1002.7	102.5

Conversion Formula: To obtain Nm multiply ft. lbs by 1.355.  
 To obtain Kgm multiply ft. lbs by 0.138

All torques  $\pm$  10% unless otherwise specified.  
 All torque values are for capscrews that have been lubricated with engine oil or grease.

Multiply standard assembly torque by the following factors:

- A. 1.25 when threads are dry
- B. 0.85 when parts are plated
- C. 0.75 when parts are parkerized
- D. 0.70 when parts are coated with Molykote
- E. 0.65 for jam nuts

## MISCELLANEOUS PART NUMBERS

### PAINT

1725796	White .....	1 Qt.	
1734846	Red .....	13 oz.	Spray
	(Current snowthrowers)		
1735221	Beige .....	13 oz.	Spray
1735222	Black .....	13 oz.	Spray
1735223	White .....	13 oz.	Spray
1736795	Light Green .....	13 oz.	Spray
1736796	Dark Green .....	13 oz.	Spray
1740960	Dark Green .....	1 Qt	
1742379	Light Green .....	13 oz.	Spray
	(Non-metallic)		
1742381	Light Green .....	1 Qt	
1860985	Diesel Black .....	13 oz.	Spray
1862177	Diesel White .....	13 oz.	Spray
1862179	Diesel White .....	1 Qt.	

### LUBRICANTS/SEALANTS

1719650	Hydrostatic Oil .....	4 Qt.
1732057	Silicone Spray .....	12 oz.
1738157	Hydrostatic Oil (Benzoil) .....	1 Gal.
1730118	GE RTV 1473 .....	3 oz.

### MOWERS

1744118	Gates Battery (Mulching Mower, Eliminator)
1733251	Charger (MM, Elim.)
1733250	G.E. Ni-Cad Battery (use 1743967)
1733254	Bracket for G.E. Battery
1733521	G.E. Battery & Bracket (use 1743967)
1731148	Mulching Mower 22" High Lift Blade
1751965	Eliminator High Lift Blade - Non BBC
1743967	Battery Kit (Gates w/bracket)
1731454	Exhaust Deflector, Tec. 4 HP
1731455	Exhaust Deflector, Tec. 5 HP
1732215	Exhaust Deflector, B & S 4 HP
1732216	Exhaust Deflector, B & S 3-1/2 HP
1743407	Riding Mower 28" High Lift Blade
1731986	Mulching Mower Grass Bag
1731985	Mulching Mower Leaf Bag
1729970	18" Mulching Mower Front Baffle
1729971	18" Mulching Mower Rear Baffle
1734088	20" Mulching Mower Front Baffle
1734089	20" Mulching Mower Rear Baffle
1729968	22" Mulching Mower Front Baffle
1729969	22" Mulching Mower Rear Baffle
1735195	Riding Mower Steering Update Kit
1721482	18" Blade Mulching
1734137	20" Blade Mulching
1893850	22" Blade Mulching
1743694	Plastic Sleeve for Mulching Mower Rear Bag Kit (Needs 8, 1744355 pins)

1731394	Mulching Mower curved weld pin, 11/32 Dia. x 1 1/2" Lg. w/hole.
1731396	Mulching Mower flat hd. weld pin, 3/8 Dia. x 1" Lg. w/hole.
1725701	Mulching Mower flat hd. weld pin, 3/8 Dia. x 5/8" Lg. w/no hole.

### TRACTORS

1748142	Decal Kit*
1726435	G.E. Headlights - Spade Terminal
1717368	G.E. Headlights - Screw Terminal
1720288	O - Ring Kit - Eaton #12
1720289	Complete Gasket Kit - Eaton #12
1724387	Eaton 12 Input Shaft Seal
1185360	Eaton Model 12 Control Shaft O-Ring
1731367	Eaton Model 12 Control Shaft Kit**
1724388	Eaton Model 12 Shuttle Valve
1721620	Repair Kit for 1720302 Hydraulic Valve
1726213	Repair Kit, Hydraulic Valve (X Series Medium Frame Tractors)
1721537	Eaton Model 12 Control Arm Kit***
1726450	Hydro Oil Filter
1734771	Handle & Screw for 1725736 Control Cable (adjusts chute cap on 18148)
1728080	.015 Shim for HT20 Rear Axle
1738231	Shaft Kit for Right Angle Drive on Gear XL's
1737386	2000 PSI Pressure Gauge Kit
1718266	Ignition Key
1740023	Mule Drive
1744918	Mower Gear Box Complete - 5000, QT Series
1733655	Tube Frame Mower Deck Gear Case Assembly without Mounting Bracket for 38" or 42" Center Mount Mowers
1722592	Snowthrower Gear Box for 18538
1718650	Mower Gear Bx complete for 18110

### BATTERIES

1716072	LT, with gas tank in front
1743999	Rear Engine Rider self charging, & LT, with gas tank in rear.
1740009	XL, 1700, 1900 & HT
1742101	2289, 2288, HDT 1000

\* 1748142 Decal kit is used on all older tractors. Included are two side hood decals ("Bolens"), one front hood decal, and a mower safety decal.

\*\* Includes shaft, pin, O-rings for shaft and housing.

\*\*\* Adapts new hydros to units which previously had straight control shaft.

## MISCELLANEOUS DIESEL PART NUMBERS

### FILTERS

#### 2 Cyl. TX 1300, 1500 (Red Decals)

Oil .....	1874139
Fuel .....	1875659
Air .....	1871493
Hydraulic .....	1871794
1353 .....	1721457

#### 2 Cyl. TX 1300, 1500 (Green Decals)

Oil .....	1874139
Fuel .....	1876440
Air .....	1872002
Hydraulic .....	1871794

#### 3 Cyl. TX 1502, 1504, 1704

Oil .....	1874139
Fuel .....	1876440
Air .....	1872002
Hydraulic .....	1874043

#### 2 Cyl. TS 1904, 1910, 2220

Oil .....	1726450
Fuel .....	1862499
Air .....	1871991
Hydraulic .....	1862834

#### 3 Cyl. TS 2902, 2094

Oil .....	1726450
Fuel .....	1872176
Air .....	1872249
Hydraulic .....	1873042

#### 2102 & 2104

Oil .....	1874196
Fuel .....	1862499
Air .....	1874282
Hydraulic .....	1874664

#### 2702 & 2704

Oil .....	1726450
Fuel .....	1862499
Air .....	1870322
Hydraulic .....	1870823

#### HT20D & HT22

Engine Oil .....	1739922
Fuel .....	1738804
Engine Air .....	1721457
Hydro. Oil .....	1726450

### HYDRAULIC MANIFOLDS

TX 2 Cyl. (in Model 1326) .....	1862088
TS 2 Cyl. (in Model 1940) .....	1863134
TX 3 Cyl. (in Model 17367) .....	1863343
TS 3 Cyl. (in Model 17355) .....	1863831
21 H.P. (in Model 17560) .....	1863475
27 H.P. (in Model 17460) .....	1864246
29 H.P. .....	186383

### MISCELLANEOUS

Compression Test Adapter (TX/TS) .....	1876357
Output shaft for 1954 gearbox .....	1718621
Gearbox parts, 1343/1344 mower:	
Output shaft .....	1813084
Output seal .....	1813087
Input shaft .....	1813085
Input seal .....	1813086
Anti Wrap Kit .....	1813083
Pump Drive Shaft (1923) .....	1812543
(also order w/1812543):	
Key .....	1812540
Chain .....	1812541
Coupler (2 Req'd) .....	1812542
TS Radiator Sealing Kit .....	1863398
Pressure Gauge Kit (2000 PSI) .....	1737386
Wheel Spacers (21 & 27 H.P.) .....	1860844

### LUBRICANTS

Benzoil Gear (Hydra. Oil) (1 Gal.) .....	1738157
(Alternate Fluids - Mobil 423, Amoco 1000 & Texaco TDH)	

### PAINT

Diesel Black (13 oz. Spray) .....	1860985
Diesel White (13 oz. Spray) .....	1862177
Diesel White (QT) .....	1862179

### BATTERIES

TX (2 Cyl) .....	1873992
TX (3 Cyl) .....	1873992
TS 19 & 24 HP .....	1873703
2102 & 2104 .....	1873992
2702 & 2704 .....	1873703
TS 29 HP .....	1873233

### IGNITION KEYS

15, 17, 19, 24 & 29 HP .....	1871433
21 & 27 HP .....	1870948
HT20D, HDT 1000 .....	1739768





**SERVICE LITERATURE**

**EFFECTIVE — AUGUST 1, 1986**

Each new franchised dealership is required to purchase a Service-Parts paper binder or a Microfiche set at the time they are established. Check requested literature and submit to: Bolens Corp.- 215 S. PARK STREET, PORT WASHINGTON, WISCONSIN 53074. ATTN. SERVICE DEPARTMENT.

A Microfiche reader is available thru EYE COM CO. or thru your engine parts supplier. Contact the Bolens Service Dept. for EYE COM Microfiche reader literature. EYE COM prices range from \$150.00 to \$195.00.

NOTE: CHECK OR MONEY ORDER MUST ACCOMPANY ALL ORDERS UNDER \$15.00. ALL PRICES SHOWN ARE IN U.S. FUNDS. PRICES MAY CHANGE WITHOUT NOTICE.

**GAS POWERED EQUIPMENT (Select appropriate literature to best suit your business)**

**1. MICROFICHE (With repair manuals and a binder)\***

- Full line dealer ..... \$45.00
- Tractor only ..... \$30.00
- Urban/Suburban only ... \$15.00

**2. MICROFICHE\* (Cards Only)**

- Full line dealer ..... \$20.00
- Tractor only ..... \$12.00
- Urban/Suburban only ..... \$ 8.00

\* Microfiche consists of: Parts Lists, Bulletins and Price Lists.

\*\* Old X Series Tractors

**3. COMPLETE BINDERS (Incl. repair manuals, paper parts lists, bulletins and price lists)**

- Full line dealer ..... \$75.00
- Tractor only ..... \$45.00
- Urban/Surburban only .. \$30.00

**4. BINDER PAPER FILLERS ONLY (Order when binder cover is not required.)**

- Full line dealer..... \$65.00
- Tractor only ..... \$40.00
- Urban/Suburban only ... \$25.00

**5. BINDER COVER ONLY**

- Tractor ..... \$ 9.00
- Urban/Suburban ..... \$ 9.00

**6. REPAIR MANUALS (Order if additional manuals are desired)**

- Riding Mower ..... \$ 7.00
- Tube Frame Tractor ..... \$ 7.00
- Medium Frame Tractor\*\* .. \$ 7.00
- 3000 Series Tractor ..... \$ 7.00
- 5000 Series Tractor ..... \$ 7.00
- QT & QS Tractor..... \$ 7.00
- Large Frame ..... \$ 7.00

**DIESEL POWERED EQUIPMENT**

**1. DIESEL MICROFICHE (With repair manuals and a binder)\***

- Microfiche and Manuals .. \$60.00
  - A. Parts & Price Lists (Microfiche)
  - B. Bulletins (Microfiche)
  - C. Policy and Procedure Manual
  - D. Service Repair Manuals

- Microfiche Cards only ..... \$15.00
  - A. Parts & Price Lists
  - B. Bulletins

**2.  BINDER COVER ONLY .... \$ 9.00**

**3. REPAIR MANUAL ONLY (Paper)**

- TX (1300 & 1500) ..... \$12.00
- TX (1502, 1504 & 1704) ... \$12.00
- TS (19, 24 & 29 Series) .. \$12.00
- 21 Series Tractors \* ..... \$10.00
- 27 Series Tractors\* ..... \$10.00
- 21 & 27 Series Engine ..... \$ 7.00
- 1502H & 1704H Hydro Repair\*\* ..... \$ 7.00

**4. TRACTOR PARTS LIST (Paper)**

- TX (1300 & 1500) ..... \$12.00
- TX (1502, 1504 & 1704) ... \$12.00
- TS (1910 & 2420) ..... \$12.00
- 2102 & 2104 ..... \$12.00
- 2702 & 2704 ..... \$12.00
- TS (2902 & 2904) ..... \$12.00
- 1502H & 1704H ..... \$12.00

**5. ATTACHMENT PARTS LIST .. \$2.00**

\* Does not include engine repair

\*\*Hydrostatic Repair only. Order 1704 or 1502 for engine and chassis

**PLEASE SEND LITERATURE TO:**

NAME \_\_\_\_\_ DEALER NO. \_\_\_\_\_

ADDRESS \_\_\_\_\_

CITY \_\_\_\_\_ STATE \_\_\_\_\_ ZIP \_\_\_\_\_

AMOUNT ENCLOSED \_\_\_\_\_

# Bolens®

## SERVICE LITERATURE

Service literature to assist you in maintaining your Bolens equipment is available from the factory. Illustrated Parts Lists and Repair Manuals may be ordered by filling in the spaces provided on the reverse side. Refer to the model/serial number plate on your unit to assure you of receiving the correct literature. List attachments separately, even though a unit may have been purchased with an attachment installed.

NOTE: ALL PRICES SHOWN IN U.S. FUNDS.

SEND CHECK OR MONEY ORDER  
AND ORDER FORM TO:

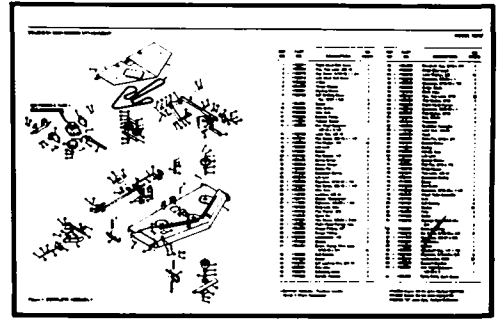
BOLENS CORP.  
PORT WASHINGTON, WISCONSIN 53074  
ATTN: ACCOUNTING DEPARTMENT

## PARTS LISTS

Contains exploded view illustrations referenced to part numbers. Parts Lists are available for most equipment of Bolens manufacture. Parts Lists for equipment which is not manufactured by Bolens (including engines) must be ordered from the original manufacturer. Order Parts List by model and serial number.

NOTE: DO NOT ORDER PARTS FROM THE FACTORY. ALL PARTS MUST BE ORDERED THROUGH AN AUTHORIZED DEALER.

PARTS REQUIRED DURING THE WARRANTY PERIOD  
MUST BE REPLACED BY AN AUTHORIZED DEALER  
ONLY.



## REPAIR MANUALS

Complete with specifications, illustrations and adjustments, disassembly and assembly of the major components (except engines) on Bolens units. Manuals are only available for:

### RIDING MOWERS

528	830	2030
628	831	2036
728	1134	
828	1130	
829	2028	

### TUBE FRAME SERIES TRACTORS

600 (180/1)	1155 (G11)
650 (184/5)	1220 (193)
750 (171/2)	1225 (194)
800 (186/7)	1253
850 (191)	1254
853	1255 (G12)
855 (G9)	1256
900 (188/9)	1257
1000 (190)	1453 (G14)
1050 (192)	1456 (H14)
1053	1556
1055 (G10)	1656 (H16)
1054	

### MEDIUM FRAME SERIES TRACTORS

1058 (H11XL)	1659 (H16XT)
1060 (G11XL)	1661 (G16XL)
1258 (H12XL)	1662 (G16XT)
1261 (G12XL)	1663 (G16X1)
1458 (H14XL)	1664 (H16X1)
1461 (G14XL)	1667 (G1600)
1463 (G1400)	1668 (H1600)
1658 (H16XL)	1858 (H18XL)

### 3000 SERIES TRACTORS

3011G (ST110)	3016G (ST160)
3011H (ST110)	3016H (ST160)
3012G (ST125)	3118H (ST180)
3012H (ST125)	

### 5000 SERIES TRACTOR

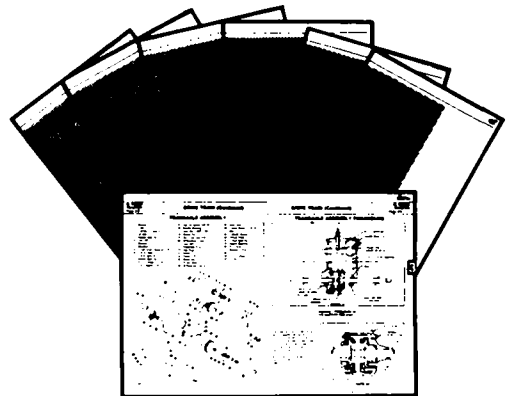
5017G (1700)	5019H (1900)
5017H (1700)	5020H (2000)
5018H (1800)	

### QS, QT & 1900 SERIES TRACTORS

1660 (QS 16)	1666 (QT17)
1666 (QT16)	1966 (1900)

### LARGE FRAME SERIES TRACTORS

1886S S/N 05
1886S S/N 06 (HT18)
2086
2087 (HT20)
2288 (HT22)
2289 (HT20)
2389 (HT23)



**PLEASE SEND MANUALS TO:**

NAME \_\_\_\_\_  
ADDRESS \_\_\_\_\_  
CITY \_\_\_\_\_  
STATE \_\_\_\_\_ ZIP \_\_\_\_\_

Allow 2 to 3 weeks for delivery.  
PLEASE READ OTHER SIDE BEFORE  
ORDERING.

**PARTS LIST – TRACTORS & RIDING MOWERS**

**PARTS LIST – Walk Behind Mowers, Tillers and  
Snow Throwers. Bolens attachments\***

Price: \$2.00 each

Price: \$1.00 each

Qty. \_\_\_\_\_ Model \_\_\_\_\_

Qty. \_\_\_\_\_ Model \_\_\_\_\_

Serial No. \_\_\_\_\_

Serial No. \_\_\_\_\_

Qty. \_\_\_\_\_ Model \_\_\_\_\_

Qty. \_\_\_\_\_ Model \_\_\_\_\_

Serial No. \_\_\_\_\_

Serial No. \_\_\_\_\_

Qty. \_\_\_\_\_ Model \_\_\_\_\_

Qty. \_\_\_\_\_ Model \_\_\_\_\_

Serial No. \_\_\_\_\_

Serial No. \_\_\_\_\_

**\*AN ATTACHMENT IS AN ITEM SUCH AS A MOWER, TILLER, BLADE,  
ETC. WHICH IS PURCHASED SEPARATELY OR CAN BE ADDED TO  
THE UNIT. ONLY AVAILABLE FOR BOLENS MANUFACTURED  
EQUIPMENT.**

**REPAIR MANUALS** - See other side for list of model numbers covered in each manual. Not all tractors have a repair manual. No Repair Manuals are available for attachments or walk-behind equipment. Repair Manuals for equipment not manufactured by Bolens must be ordered from the original manufacturer.

Qty. \_\_\_\_\_ Riding Mowers

Qty. \_\_\_\_\_ 5000 Series Tractors

Qty. \_\_\_\_\_ Tube Frame Tractors

Qty. \_\_\_\_\_ QS, QT & 1900 Series Tractors

Qty. \_\_\_\_\_ Medium Frame Series Tractors  
Manual

Qty. \_\_\_\_\_ Large Frame Tractors

Qty. \_\_\_\_\_ 3000 Series Tractors

**ACCOUNTING DEPARTMENT USE ONLY**

Date Received  
by Accounting

Receiving Accountant's  
Initials

Date Audited & Filed  
by Accounting

Amount of Check/Money  
Order Rec'd by Accounting

Date Mailed  
to Consumer

Accountant's  
Initials



January 30, 1985

TO: ALL FACTORY DIRECT PARTS DEALERS

FROM: SERVICE DEPARTMENT

We are in the process of updating our records concerning dealer parts and service facilities. As you know, we do not sell parts and/or equipment directly to Bolens customers, even though we receive many such requests. We do provide product and service information when requested by the customer.

So that we may improve the service to our Bolens customers, we would appreciate answers to the following questions as soon as possible.

1. Does your dealership offer pickup and delivery? YES \_\_\_\_\_ NO \_\_\_\_\_
2. Up to what distance does your dealership provide service? \_\_\_\_\_ Miles
3. Does your dealership have facilities to ship parts to customers?  
YES \_\_\_\_\_ NO \_\_\_\_\_ If Yes: \_\_\_\_\_ COD \_\_\_\_\_ Credit Card \_\_\_\_\_ Other \_\_\_\_\_
4. Is your dealership familiar with the "Emergency Parts Ordering" procedure? YES \_\_\_\_\_ NO \_\_\_\_\_
5. May we refer parts requests to your dealership? YES \_\_\_\_\_ NO \_\_\_\_\_

Dealership:

Name \_\_\_\_\_

Address \_\_\_\_\_

City \_\_\_\_\_

State \_\_\_\_\_ Zip Code \_\_\_\_\_

Phone Number \_\_\_\_\_

Person to Contact for Parts \_\_\_\_\_

Thank you for assisting us, and remember, the Bolens phone number for dealers is 800-558-8746.

Please return to Bolens Service Department.

BrentChalmers.com