



PRIMUS SPEAKER SYSTEMS

Owner's Guide

Primus 140

Primus 150

Primus 160



INFINITY PRIMUS™ SERIES

The Primus series of loudspeakers continues Infinity's longstanding commitment to accurate sound reproduction. Our proprietary Metal Matrix Diaphragm (MMD™) drivers, precision dividing networks, and rigid, well-braced enclosures combine to deliver uncompromised performance in any stereo or multichannel home theater system. In addition, Primus series speakers are magnetically shielded for safe placement adjacent to a television.

UNPACKING THE SPEAKERS

If you suspect damage from transit, report it immediately to your dealer. Keep the shipping carton and packing materials for future use.

PLACEMENT

Stereo

Before deciding where to place your Primus speakers, survey your room and think about placement, keeping the following points in mind, using Figure 1 as a guide:

- For best results, place the speakers 6'–8' apart.
- Position each speaker so that the tweeter is approximately at ear level.
- Generally, bass output will increase as the speaker is moved closer to a wall or corner.
- Refer to the "Home Theater" section if you also plan to use the speakers for home theater reproduction.

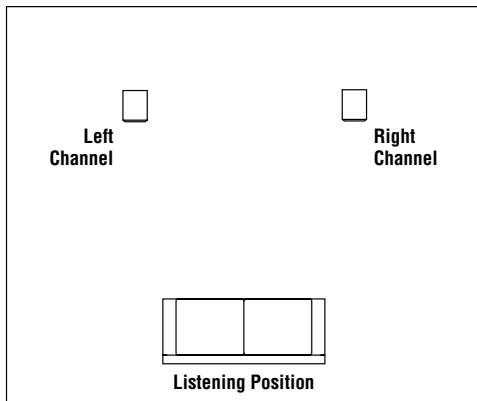


Figure 1. Experiment with speaker placement to obtain the best bass level and stereo imaging in your room.

Home Theater

For front-channel use, place one speaker on the left and another on the right, along either side of the television monitor. Since the speakers are magnetically shielded, you can place them without worrying about the field distorting the TV picture.

For rear-channel use, place Primus bookshelf speakers on bookshelves or stands alongside the listening position. Final placement depends on room acoustics, availability of space, and your listening preference (Figure 2 and Figure 3).

The center channel speaker should be placed on top of or directly below the television and aimed toward the listening area.

NOTE: An Infinity powered subwoofer will add impact and realism to both music and film soundtracks. Contact your Infinity dealer for recommendations on subwoofer models for your application.

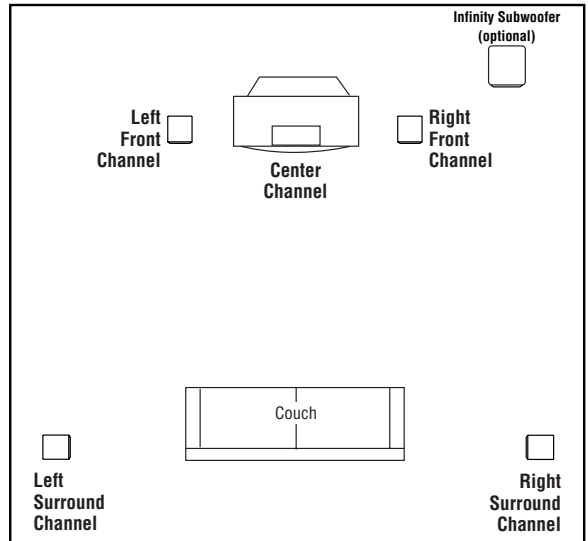


Figure 2. This overhead view shows a typical home theater plan.

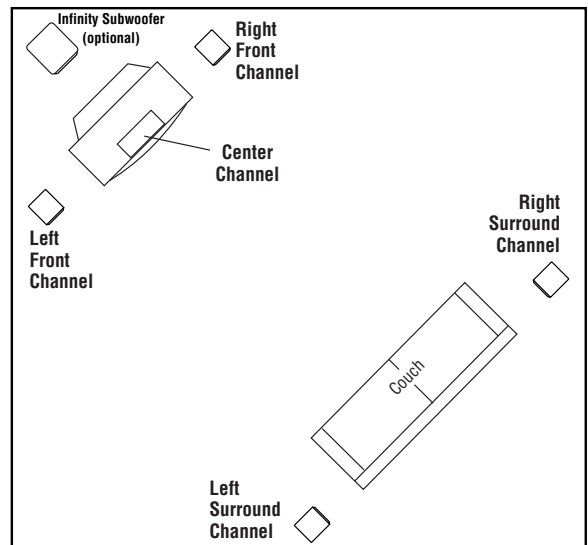


Figure 3. This figure shows an alternate layout, which may be more suitable for some rooms.

WALL-MOUNTING THE PRIMUS 140 AND PRIMUS 150

The Primus 140 and Primus 150 are designed to mount directly to a wall. Each satellite speaker has two keyholes on the back. Each speaker will require (2) 1-1/2," #10 wood screws fastened to a wall stud. If a wall stud is unavailable, install an anchor appropriate for a 1-1/2," #10 screw.

NOTE: The customer is responsible for the correct selection and use of mounting hardware (available through hardware stores) that will ensure the proper and safe wall-mounting of the speakers.

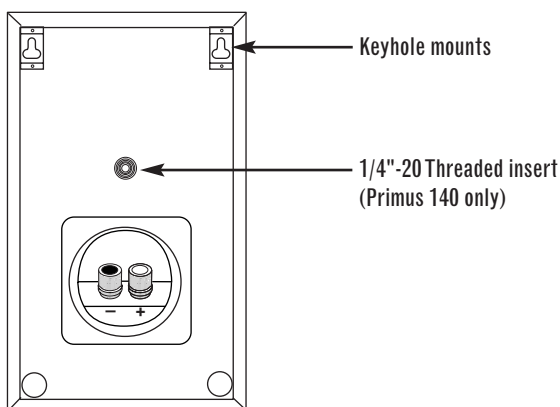


Figure 4.

Step 1.

Mark the positions on the wall where you would like to place the mounting screws.

Step 2.

Fasten two 1-1/2," #10 wood screws to the wall using the markings placed in Step 1 as your guide. Leave an 11/16" space between the wall and screwhead. If a wall stud is not available, use an appropriate anchor.

Step 3.

Place the speaker on the wall by aligning the keyholes on the back of the speaker to the screwheads on the wall. Once positioned properly, the speaker should slide down slightly and become secure.

The Primus 140 also allows the use of third-party wall brackets using the 1/4"-20 threaded insert located beneath the keyhole mount. Consult the wall-bracket manufacturer for selection of proper bracket.

WIRING THE SYSTEM

IMPORTANT: Make sure all equipment is turned off before making any connections.

For speaker connections, use a minimum #16-gauge speaker wire with polarity coding. The side of the wire with a ridge or other coding is usually considered positive polarity (i.e., +).

NOTE: If desired, consult your local Infinity dealer about speaker wire and connection options.

The speakers have coded terminals that accept a variety of wire connectors. The most common connection is shown in Figure 5.

To ensure proper polarity, connect each + terminal on the back of the amplifier or receiver to the respective + (red) terminal on each speaker, as shown in Figure 6. Connect the - (black) terminals in a similar way. See the owner's guides that were included with your amplifier, receiver and television to confirm connection procedures.

IMPORTANT: Do not reverse polarities (i.e., + to - or - to +) when making connections. Doing so will cause poor imaging and diminished bass response.

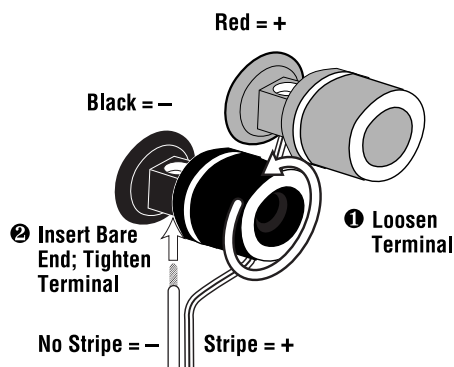


Figure 5. This example shows how to connect bare wires to the terminals.

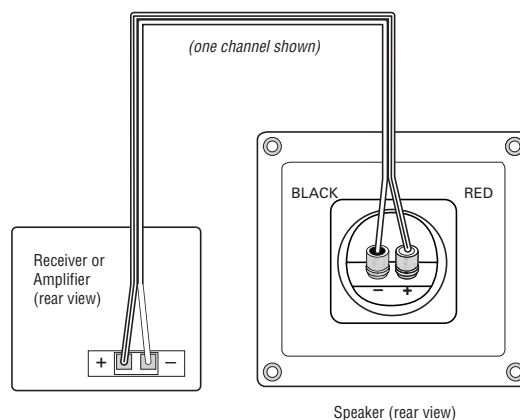


Figure 6. Wiring diagram shows polarity connections for one channel of a stereo or home theater system.

FINAL ADJUSTMENTS

Check the speakers for playback, first by setting the system volume control to a minimum level, and then by applying power to your audio system. Play a favorite music or video segment and increase the system volume control to a comfortable level.

NOTE: You should hear balanced audio reproduction across the entire frequency spectrum. If not, check all wiring connections or consult the authorized Infinity dealer from whom you purchased the system for more help.

The amount of bass you hear and the stereo-image quality will be affected by a number of different factors, including the room's size and shape, the construction materials used to build the room, the listener's position relative to the speakers, and the position of the speakers in the room.

Listen to a variety of music selections and note the bass level. If there is too much bass, move the speakers away from nearby walls. Conversely, if you place the speakers closer to the walls, there will be more bass output.

Nearby reflecting surfaces can adversely affect stereo-imaging quality. If this happens, try angling the speakers slightly inward toward the listening position until the optimum effect is achieved.

CARE OF YOUR SPEAKER SYSTEM

Each Primus series cabinet has a wood-grain-vinyl finish that does not require any routine maintenance. When needed, use a soft cloth to remove any fingerprints or dust.

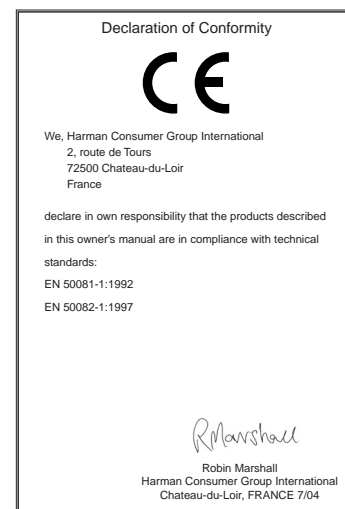
Clean the grille by gentle vacuuming.

NOTE: Do not use any cleaning products or polishes on the cabinet or grille.

SPECIFICATIONS

	Primus 140	Primus 150	Primus 160
Frequency Range:	100Hz – 20,000Hz (± 3 dB)	58Hz – 20,000Hz (± 3 dB)	49Hz – 20,000Hz (± 3 dB)
Recommended Amplifier Power Range:	10 – 100 watts	10 – 100 watts	10 – 150 watts
Sensitivity: (2.83V @ 1 meter)	86dB	88dB	90dB
Nominal Impedance:	8 Ω	8 Ω	8 Ω
Crossover Frequency:	3000Hz; 24dB/octave	3300Hz; 24dB/octave	3000Hz; 24dB/octave
Low-Frequency Driver:	100mm (4") MMD™ magnetically shielded	130mm (5-1/4") MMD™ magnetically shielded	165mm (6-1/2") MMD™ magnetically shielded
Mid-Frequency Driver:	N/A	N/A	N/A
High-Frequency Driver:	19mm (3/4") MMD, magnetically shielded	19mm (3/4") MMD, magnetically shielded	19mm (3/4") MMD, magnetically shielded
Dimensions (H x W x D): (with grille)	245mm x 150mm x 173mm (9-5/8" x 5-15/16" x 6-13/16")	322mm x 187mm x 267mm (12-3/4" x 7-3/8" x 10-1/2")	370mm x 208mm x 280mm (14-1/2" x 8-1/4" x 11")
Weight:	3.2kg (7 lb)	6kg (13.5 lb)	7.3kg (16.1 lb)

Infinity continually strives to update and improve existing products, as well as create new ones. The specifications and construction details in this and related Infinity publications are therefore subject to change without notice.





TECHNOLOGY • PERFORMANCE • DESIGN

© 2004 Harman International Industries, Incorporated

Infinity Systems, 250 Crossways Park Drive, Woodbury, NY 11797 USA 800.553.3332 (USA only) www.infinitysystems.com

Infinity is a registered trademark, and Infinity Primus and MMD are trademarks, of Harman International Industries, Incorporated.

Part No. 406-000-01532 7/04

HI A Harman International Company