

# ***AIRSTREAM***

**360/365  
XC**

**2003  
Parts Book**



# 2003 360/365 XC DIESEL PUSHER

## Table of Contents

### SECTION I A through C

#### Appliances

<a href="#">Air conditioner</a> .....	I-1
<a href="#">Furnace</a> .....	I-1
<a href="#">Microwave</a> .....	I-2
<a href="#">Range</a> .....	I-2
<a href="#">Refrigerator</a> .....	I-2
<a href="#">Water heater</a> .....	I-3

#### Body

<a href="#">CS wall, 360 XC</a> .....	I-4
<a href="#">RS Wall, 360-365 XC</a> .....	I-6
<a href="#">CS wall, 365 XC</a> .....	I-8
<a href="#">Slide out extrusion</a> .....	I-10
<a href="#">Slide out gaskets</a> .....	I-11
<a href="#">Front end</a> .....	I-13
<a href="#">Aft end</a> .....	I-15
<a href="#">Roof</a> .....	I-16
<a href="#">Slide-out room Galley</a> .....	I-17

#### Chassis

<a href="#">Hitch</a> .....	I-20
<a href="#">Power Jacks</a> .....	I-20
<a href="#">Step</a> .....	I-20
<a href="#">Exhaust extension</a> .....	I-20
<a href="#">Automotive air conditioner</a> .....	I-21

2003 360/365 XC DIESEL PUSHER  
TABLE OF CONTENTS

SECTION II  
D through E

Dash

[Dash parts](#) ..... II-1  
[Dash Instrument Panel](#) ..... II-2

[Decals \(reference\)](#) ..... II-3

Doors/Windows/Awnings

[RS wall, 360-365 XC](#) ..... II-4  
[CS wall, 360 XC](#) ..... II-6  
[CS Wall, 365 XC](#) ..... II-9  
[Main and screen door](#) ..... II-11  
[Awnings](#) ..... II-12

[Drapes/Blinds/Valances](#) ..... II-13

Electrical

[110 Volt](#) ..... II-14  
[12 Volt chassis](#) ..... II-17  
[Driver-passenger armrest, center console, switches](#) ..... II-18  
[12 volt dash](#) ..... II-19  
[12 Volt interior switches](#) ..... II-19  
[12 Volt interior lights](#) ..... II-20  
[12 Volt exterior lights](#) ..... II-21  
[12 Volt Misc. equipment](#) ..... II-20  
[Battery compartment](#) ..... II-23  
[Windshield wiper](#) ..... II-24

Entertainment

[Televisions](#) ..... II-26  
[Radio](#) ..... II-26  
[Antennas](#) ..... II-26  
[CD changer](#) ..... II-27  
[Rear view monitor](#) ..... II-27

# 2003 360/365 XC DIESEL PUSHER

## Table of Contents

### SECTION III

#### F through H

#### FASTENERS

<a href="#">Rivets</a> .....	III-1
<a href="#">Screws</a> .....	III-3

#### FLOOR COVERING

<a href="#">Carpet</a> .....	III-4
<a href="#">Tile</a> .....	III-4
<a href="#">Floor mats</a> .....	III-4

#### FURNITURE

<a href="#">Interior &amp; Misc. doors</a> .....	III-5
<a href="#">Mirrors</a> .....	III-6
<a href="#">Drawer faces &amp; boxes</a> .....	III-7
<a href="#">Bed room</a> .....	III-8
<a href="#">Bath</a> .....	III-10
<a href="#">Galley</a> .....	III-11
<a href="#">Lounge</a> .....	III-13
<a href="#">Cab</a> .....	III-14

#### HARDWARE

<a href="#">Exterior, main &amp; screen door</a> .....	III-15
<a href="#">Exterior compartments</a> .....	III-18
<a href="#">Slide out</a> .....	III-20
<a href="#">Awning</a> .....	III-22
<a href="#">Interior</a> .....	III-23
<a href="#">Window</a> .....	III-27

2003 360/365 XC DIESEL PUSHER  
TABLE OF CONTENTS  
SECTION IV  
L through Z

<a href="#">LABELS and TAGS</a> .....	IV-1
<a href="#">OPTIONS</a> .....	IV-3
PLUMBING	
<a href="#">LPG</a> .....	IV-5
<a href="#">Fresh water</a> .....	IV-6
Includes: Tank, fittings, and <a href="#">faucets</a>	
<a href="#">Drain</a> .....	IV-12
<a href="#">Tanks, sinks, shower</a>	
<a href="#">Fittings</a> .....	IV-14
<a href="#">Toilet</a> .....	IV-18
<a href="#">Utility compartment</a> .....	IV-19
<a href="#">Black Tank Flush System</a> .....	IV-19
<a href="#">SAFETY EQUIPMENT</a> .....	IV-20
SEALS/SEALER/GASKETS	
<a href="#">Gaskets</a> .....	IV-21
<a href="#">Window gaskets</a> .....	IV-22
<a href="#">Sealer</a> .....	IV-23
<a href="#">Adhesives, paint, under coat, stain</a> .....	IV-24
UPHOLSTERY/FOAM/MATTRESS	
<a href="#">Mattress</a> .....	IV-25
<a href="#">Sofa</a> .....	IV-25
<a href="#">Chair</a> .....	IV-25
<a href="#">Bed spread</a> .....	IV-25
<a href="#">Pillow kits</a> .....	IV-26
<a href="#">Dinette seat</a> .....	IV-28
<a href="#">VENTS/FANS/SKY LIGHTS</a> .....	IV-29
<a href="#">WOOD/INTERIOR TRIM</a> .....	IV-30

# Table of Contents

## SECTION I A through C

### Appliances

Air conditioner .....	I-1
Furnace .....	I-1
Microwave.....	I-2
Range.....	I-2
Refrigerator.....	I-2
Water heater .....	I-3

### Body

CS wall, 360 XC .....	I-4
RS Wall, 360-365 XC .....	I-6
CS wall, 365 XC .....	I-8
Slide out extrusion .....	I-10
Slide out gaskets.....	I-11
Front end .....	I-13
Aft end .....	I-15
Roof .....	I-16
Slide-out room Galley .....	I-17

### Chassis

Hitch .....	I-20
Power Jacks.....	I-20
Step.....	I-20
Exhaust extension .....	I-20
Automotive air conditioner.....	I-21





## 2003 360/365 XC DIESEL PUSHER

### APPLIANCES

#### DUO THERM AIR CONDITIONER-PENQUIN

690323-33	Air conditioner, Penquin 13,500 BTU
690323-34	Electronic kit, Penquin
690323-31	Thermostat, Duo Therm
690323-100	Shroud, exterior, Penquin
385582-01	Decal, Airstream w/bar, gray
203069	Register, white, 4" x 8"
690323-12	Cover, return grill
690323-28	Bolt, cover kit
690380-08	SENSOR-PENGUIN DUAL AIR ONLY W/EL
511252	PLUG PHONE 4 CONDUCTOR
3511378	CABLE THERMOSTAT 7 CONDUCTOR 18GA

#### FURNACE, HYDROFLAME (800-825-4328)-dealer only

690274	Furnace, Hydroflame, #8535-IV, 34,000 BTU
690244-06	Mounting flange
690274-06	Door exterior, Hydroflame
601244-03	Register, rotaire, black
601244-02	Register, Rotaire, white
600526	FLANGE, 4 IN
203070	REGISTER PLASTIC BROWN 2"X10"
600193	2"DUCT THERMAFLEX FLEXIBLE AIR
690341	ADAPTER, 4-2 FURNACE REDUCER
601348	TEE, HEAT DUCT, 4 X 4 X 2
601760	DUCT-HEAT 2.00 X 6.00 X 118.00
600247	4" duct hose, flexible

## 2003 360/365 XC DIESEL PUSHER

### APPLIANCES

#### MICROWAVE

690368-01            Microwave/convection oven, Sharp

#### RANGE

690396-06            Range top, 3 burners, Magic Chef

690396-03            Range cover, bi-fold

964383-01            Range covers, Corian, set

114876                Trim ring, range recessed

DOMETIC REFRIGERATOR, RM 3862R  
(800-366-3842)

690370-01            Refrigerator, 2-way, RH, RM 3862R

801225-014           Door panel, upper, oak, 15.5" x 20.38"

801225-034           Door panel, lower, oak, 38.38" x 20.38"

690370-100           Cooling unit, RM 3862

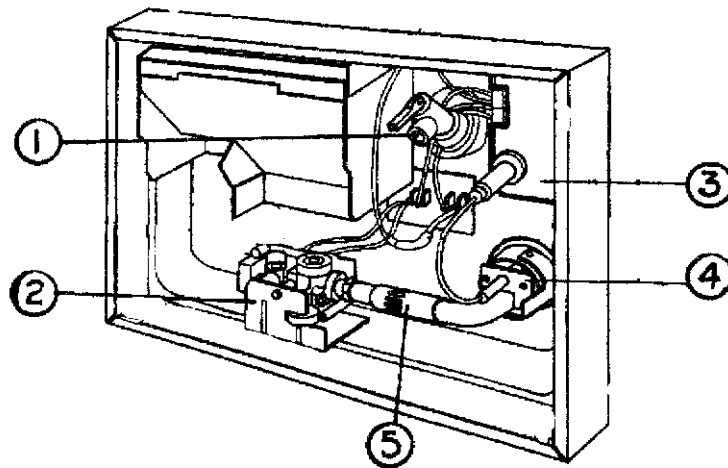
381207-03           Vent & cap, roof, Dometic, polar white

690340-03           Refrigerator door, exterior

## 2003 360/365 XC DIESEL PUSHER

### ATWOOD WATER HEATER

690417-01	Water heater, 10 gal. Elec. ignition, 110 volt/gas
690417-02	Door, water heater, white
381648	Cover, latch hole
690417-03	Mounting flange, white, 10gal.
500933	Switch, water heater, electronic



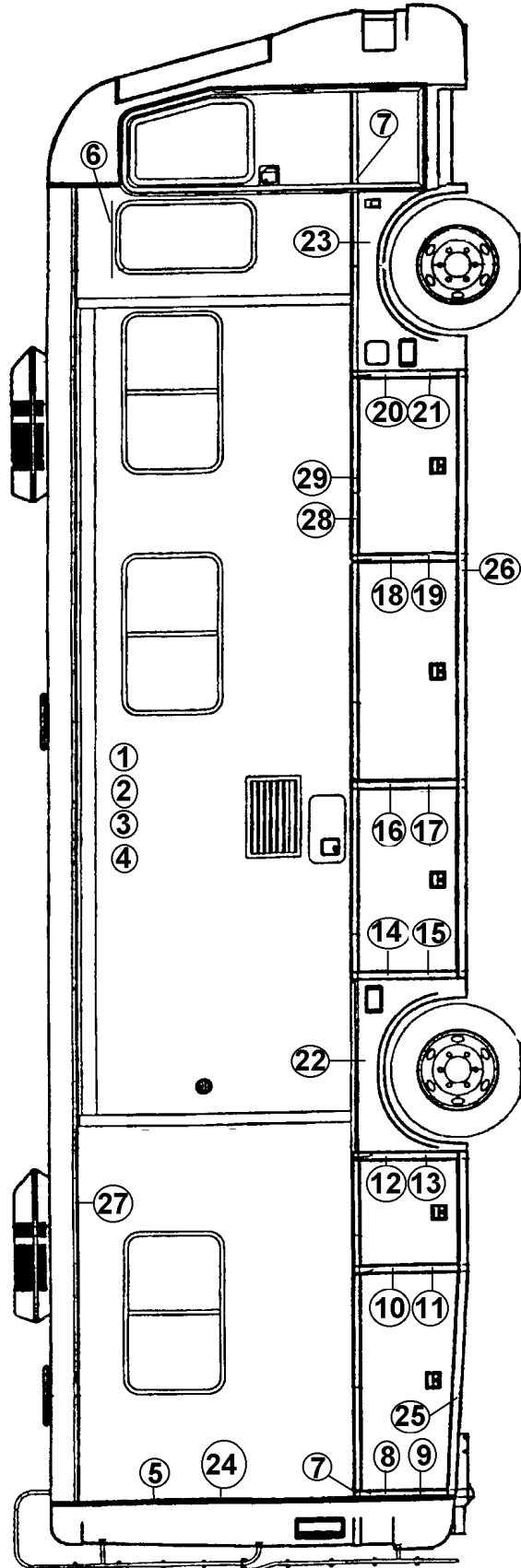
Front of water heater

1) 091604	Relief valve, pressure/temperature
2) 093870	Solenoid valve
3) 093865	Circuit board
4) 093868	Spark probe
5) 093221	Main burner, 10 gallon

Back of water heater

091160	Heating element, 110volt
091873	ECO thermostat
091092	On/off switch, 110Volt

# 2003 360/365 XC DIESEL PUSHER

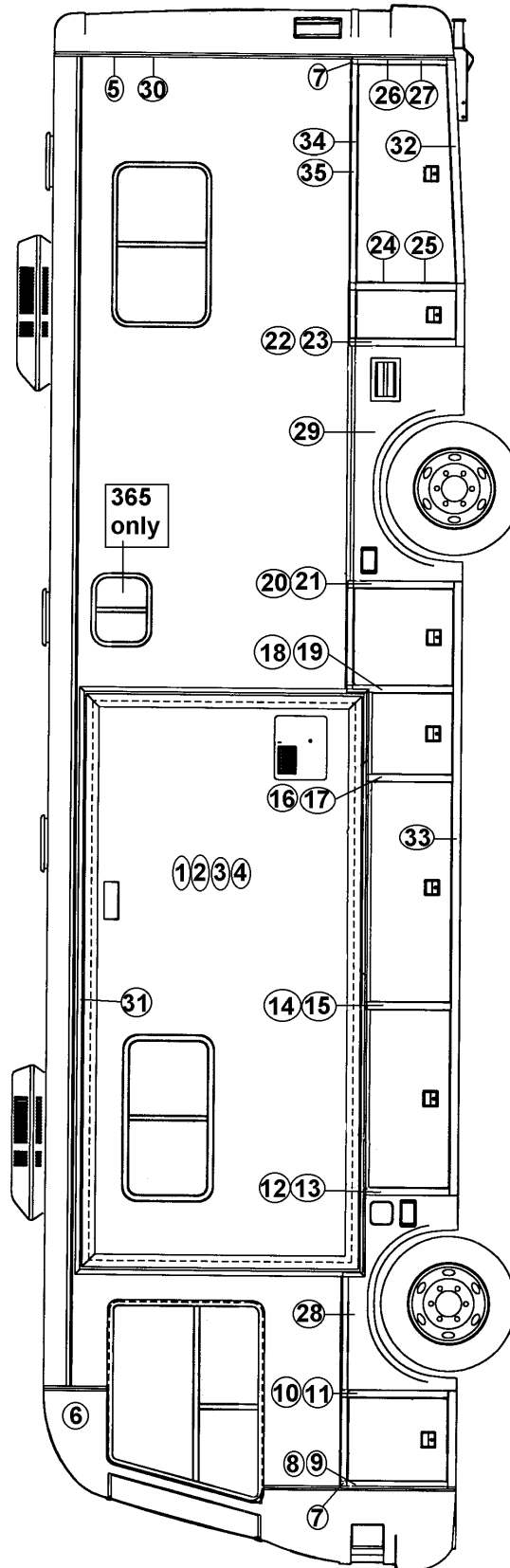


## 2003 360/365 XC DIESEL PUSHER

### CURBSIDE WALL 360 XC

- 1) 801002-07 Fiberglass sheet, white, 77.5" x 408"
- 2) 915568 Weldment, CS wall
- 3) 203075 Styrofoam sheet, 1 ½" thick
- 4) 801261-01 Paneling, interior, 1/8" x 4' x 7', G1S, Ant. Buff
- 5) 114005-02 Extrusion, trim, cap to sidewall, white
- 6) 114808-04 Drip cap, cab window, CS
- 7) 385983-01 End cap casting, white
- 8) 115015-02 Panel, skirt, CS rear angled
- 9) 115021-02 Panel, skirt back, flange CS, 25.25"
- 10) 115016 Panel, skirt DBL. flange, 29.94"
- 11) 115017 Panel, skirt back, 27.50
- 12) 115011 Panel, skirt, LH flange, 29.25"
- 13) 115019-01 Panel, skirt back flange, 27.50"
- 14) 115012 Panel, skirt RH flange, 29.94"
- 15) 115019-02 Panel, skirt back, RH flange, 28.25"
- 16) 115016 Panel, skirt DBL.flange, 29.94"
- 17) 115017 Panel, skirt back, 27.50"
- 18) 115016 Panel, skirt DBL.flange, 29.94"
- 19) 115017 Panel, skirt back, 27.50"
- 20) 115011 Panel, skirt, LH flange, 29.25"
- 21) 115019-01 Panel, skirt back flange, 27.50"
- 22) 203259 Fender, CS rear
- 23) 203260 Fender, CS front
- 24) 320124-06 Screw, #6x1", CS head, stainless, white
- 25) 114836-01 Rocker panel, Angled, CS rear
- 26) 114708-01 Rocker panel, straight
- 27) 114570 Awning rail
- 386093 Awning rail cap, LH
- 386094 Awning rail cap, RH
- 28) 385983 Extrusion, rub-rail carrier
- 29) 203080-01 Molding, rub-rail, white
- Not shown
- 386067-03 Medallion, 70th anniversary, 4.3/8"
- 114070-02 J-trim, compartment skirt to plastic fender
- 385983-01 Casting end cap, painted white

# 2003 360/365 XC DIESEL PUSHER

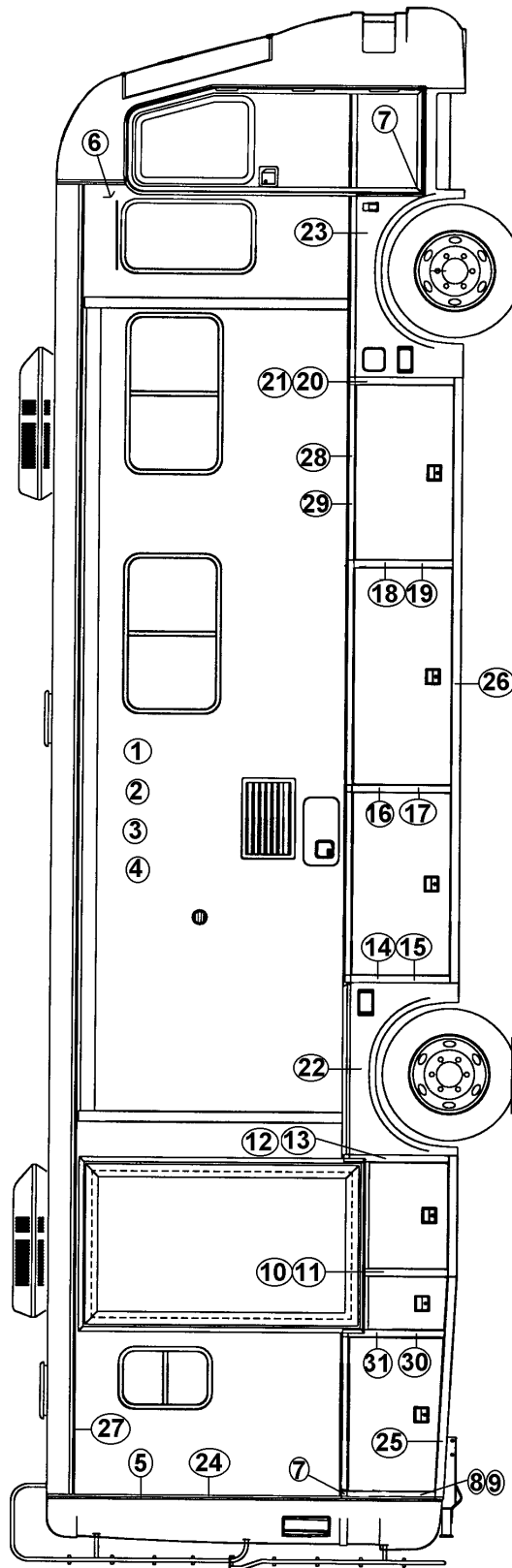


## 2003 360/365 XC DIESEL PUSHER

### ROADSIDE WALL, 360 XC, 365 XC

- 1) 801002-07           Fiberglass sheet, white, 77.5"x408"
- 2) 203075            Styrofoam sheet, 1 ½" thick
- 3) 915569            Weldment, RS wall
- 4) 801261-01        Paneling, interior 1/8" x 4' x 7' G1S, Anti. Buff
- 5) 114005-02        Extrusion, trim, end cap to sidewall, white
- 6) 114808-03        Drip cap, cab window, RS
- 7) 385983-01        End cap casting, rub-rail, white
- 8) 115012            Panel, skirt, RH flange, 29.94"
- 9) 115019-02        Panel, skirt back, RH flange, 27.50"
- 10) 115011           Panel, skirt LH flange, 29.25"
- 11) 115019-01       Skirt back, LH flange, 27.50"
- 12) 115014           Panel, skirt slide, RH flange, 24.44"
- 13) 115020           Panel, skirt back, flange slide, 22.25"
- 14) 115013           Panel, slide DBL. Flange, 24.44"
- 15) 115018           Panel, skirt back slide, 22.50"
- 16) 115013           Panel, slide DBL. flange, 24.44"
- 17) 115018           Panel, skirt back slide, 22.50"
- 18) 115016           Panel, skirt DBL. flange, 29.94"
- 19) 115017           Panel, skirt back, 27.50"
- 20) 115011           Panel, skirt LH flange, 29.25"
- 21) 115019-01       Skirt back, LH flange, 27.50"
- 22) 115012           Panel, skirt, RH flange, 29.94"
- 23) 115019-02       Panel, skirt back, RH flange, 27.50"
- 24) 115016           Panel, skirt DBL. flange, 29.94"
- 25) 115017           Panel, skirt back, 27.50"
- 26) 115015-01       Panel, skirt angled rear RS
- 27) 115021-01       Panel, skirt back flange RS angled 24.31"
- 28) 203262           Fender RS front
- 29) 203261           Fender, RS rear
- 30) 320125-06       Screw, #6x1", CS head, stainless white
- 31) 114570           Awning rail
- 386093        Awning rail cap, LH
- 386094        Awning rail cap, RH
- 32) 114836-01       Rocker panel, angled RS rear
- 33) 114708-01       Rocker panel, straight
- 34) 203080-01       Molding, rub-rail, white
- 35) 114831           Extrusion, rub-rail carrier

# 2003 360/365 XC DIESEL PUSHER





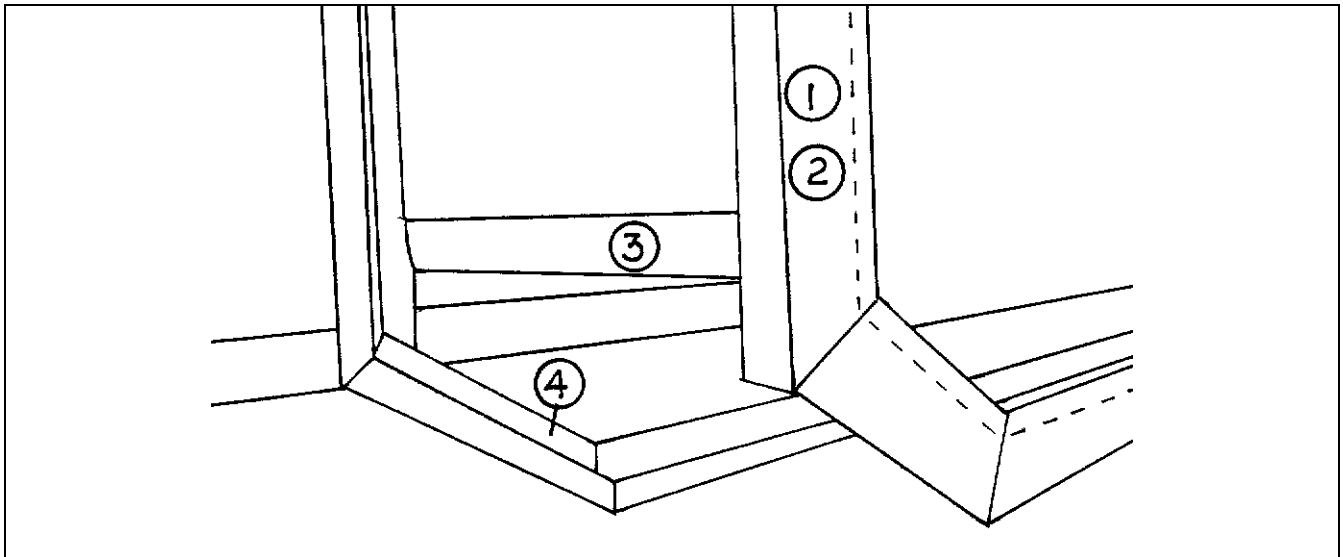
## 2003 360/365 XC DIESEL PUSHER

### CS WALL 365 XC

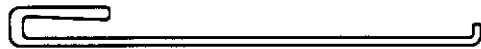
- 1) 801002-07 Fiberglass sheet, white, 77.5" x 408"
  - 2) 915568 Weldment, CS wall
  - 3) 203075 Styrofoam sheet, 1 1/2" thick
  - 4) 801261-01 Paneling, interior, 1/8" x 4' x 7', G1S, Ant. Buff
  - 5) 114005-02 Extrusion, trim, cap to sidewall, white
  - 6) 114808-04 Drip cap, cab window, CS
  - 7) 385983-01 End cap casting, white
  - 8) 115015-02 Panel, skirt, CS rear angled
  - 9) 115021-02 Panel, skirt back, flange CS, 25.25"
  - 10) 115013 Panel, skirt DBL. Flange
  - 11) 115018 Panel, skirt back
  - 12) 115050 Panel, skirt, LH flange
  - 13) 115019 Panel, skirt back flange
  - 14) 115012 Panel, skirt RH flange, 29.94"
  - 15) 115019-02 Panel, skirt back, RH flange, 28.25"
  - 16) 115016 Panel, skirt DBL.flange, 29.94"
  - 17) 115017 Panel, skirt back, 27.50"
  - 18) 115016 Panel, skirt DBL.flange, 29.94"
  - 19) 115017 Panel, skirt back, 27.50"
  - 20) 115011 Panel, skirt, LH flange, 29.25"
  - 21) 115019-01 Panel, skirt back flange, 27.50"
  - 22) 203259 Fender, CS rear
  - 23) 203260 Fender, CS front
  - 24) 320124-06 Screw, #6x1", CS head, stainless, white
  - 25) 114836-01 Rocker panel, Angled, CS rear
  - 26) 114708-01 Rocker panel, straight
  - 27) 114570 Awning rail
  - 386093 Awning rail cap, LH
  - 386094 Awning rail cap, RH
  - 28) 385983 Extrusion, rub-rail carrier
  - 29) 203080-01 Molding, rub-rail, white
  - 30) 115051 Panel, skirt Dbl Flag
  - 31) 115052 Panel skirt, 4" x 27.75
- Not shown
- 386067-03 Medallion, 70th anniversary, 4.3/8"
  - 114070-02 J-trim, compartment skirt to plastic fender
  - 385983-01 Casting end cap, painted white

# 2003 360/365 XC DIESEL PUSHER

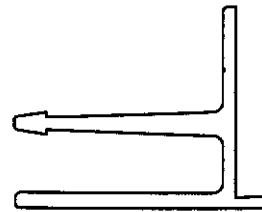
## SLIDE OUT EXTRUSION



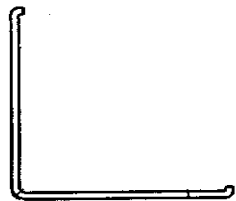
Lower front corner, extended



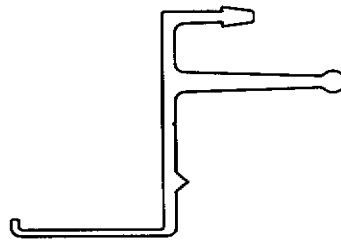
\*1) 114771 Extrusion, slide out Trim



2) 114770 Extrusion, slide out box (fits behind 1)



3) 114768 Extrusion, slide out Corner trim

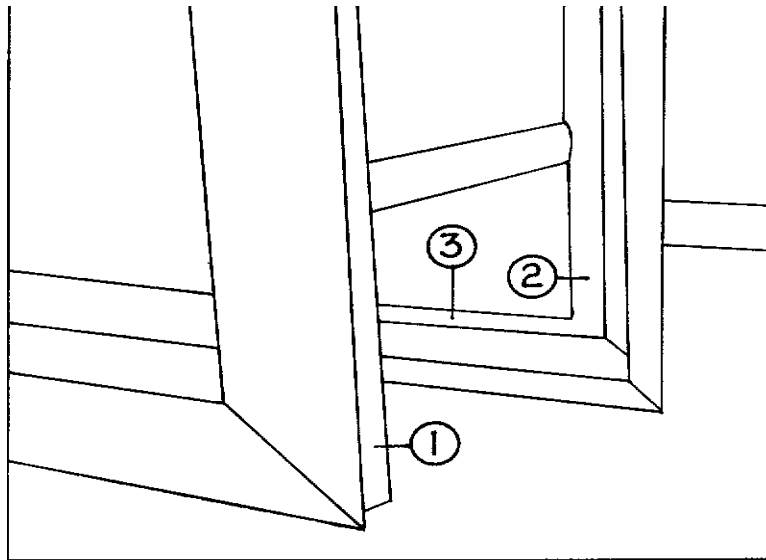


4) 114726 Extrusion, slide out frame

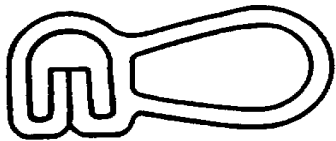
\*This trim is slotted to allow adjustment to the sidewall cutout. Fitting will be required.

# 2003 360/365 XC DIESEL PUSHER

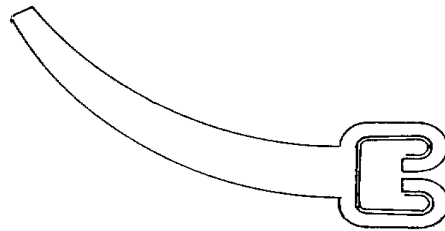
\* SLIDE OUT GASKETS



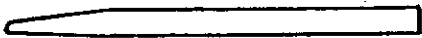
Lower rear corner, extended



- 1) 381594 Rubber extrusion  
Bulb type, black



- 2) 381587 rubber extrusion, wiper



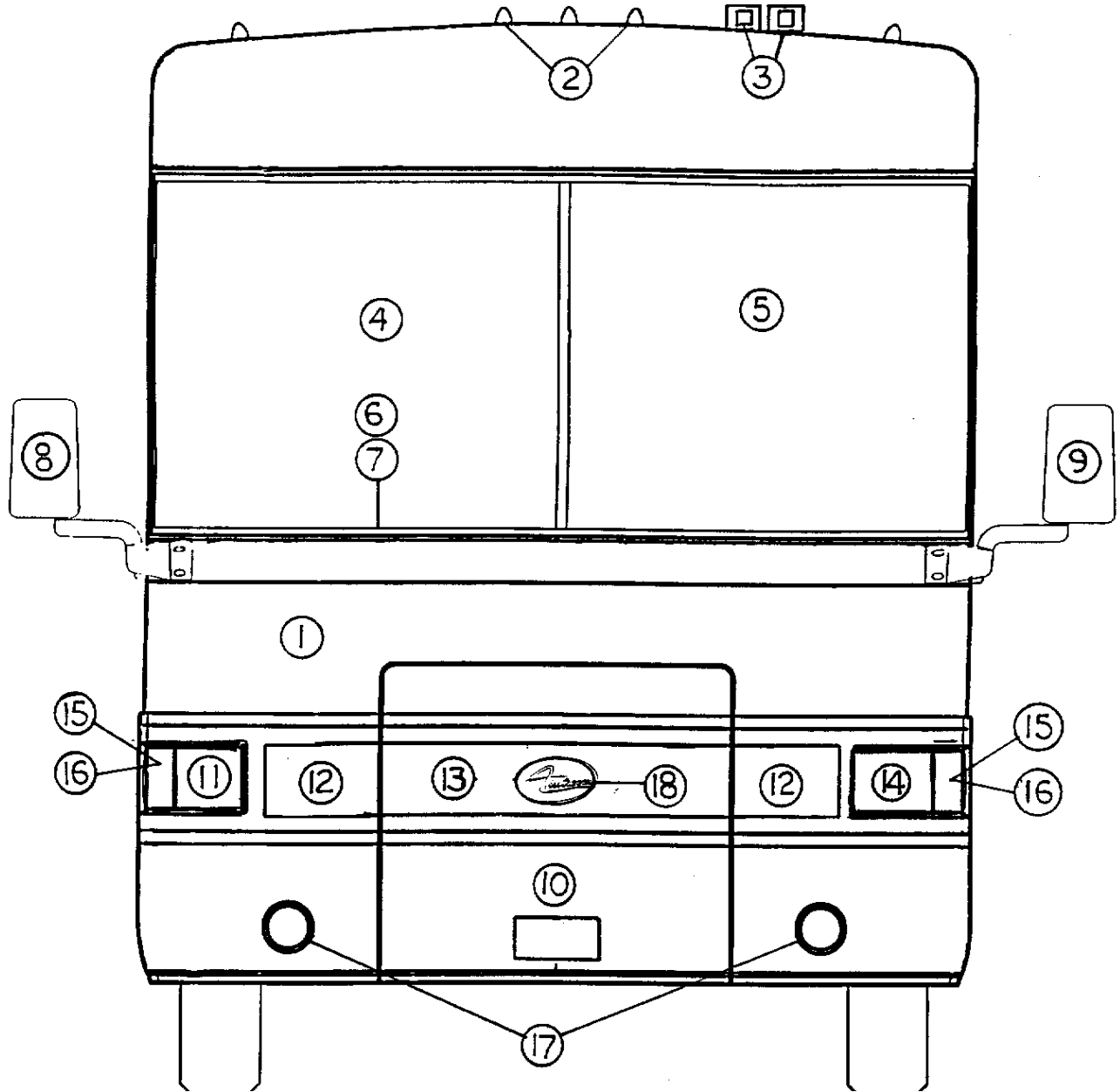
- 3) 381589 Rubber extrusion  
Floor wiper



- 381663 (not shown)  
Rubber extrusion, bulb  
w/tape-used on inside  
wall

\*Note: Mounting brackets can be found in hardware.

# 2003 360/365 XC DIESEL PUSHER

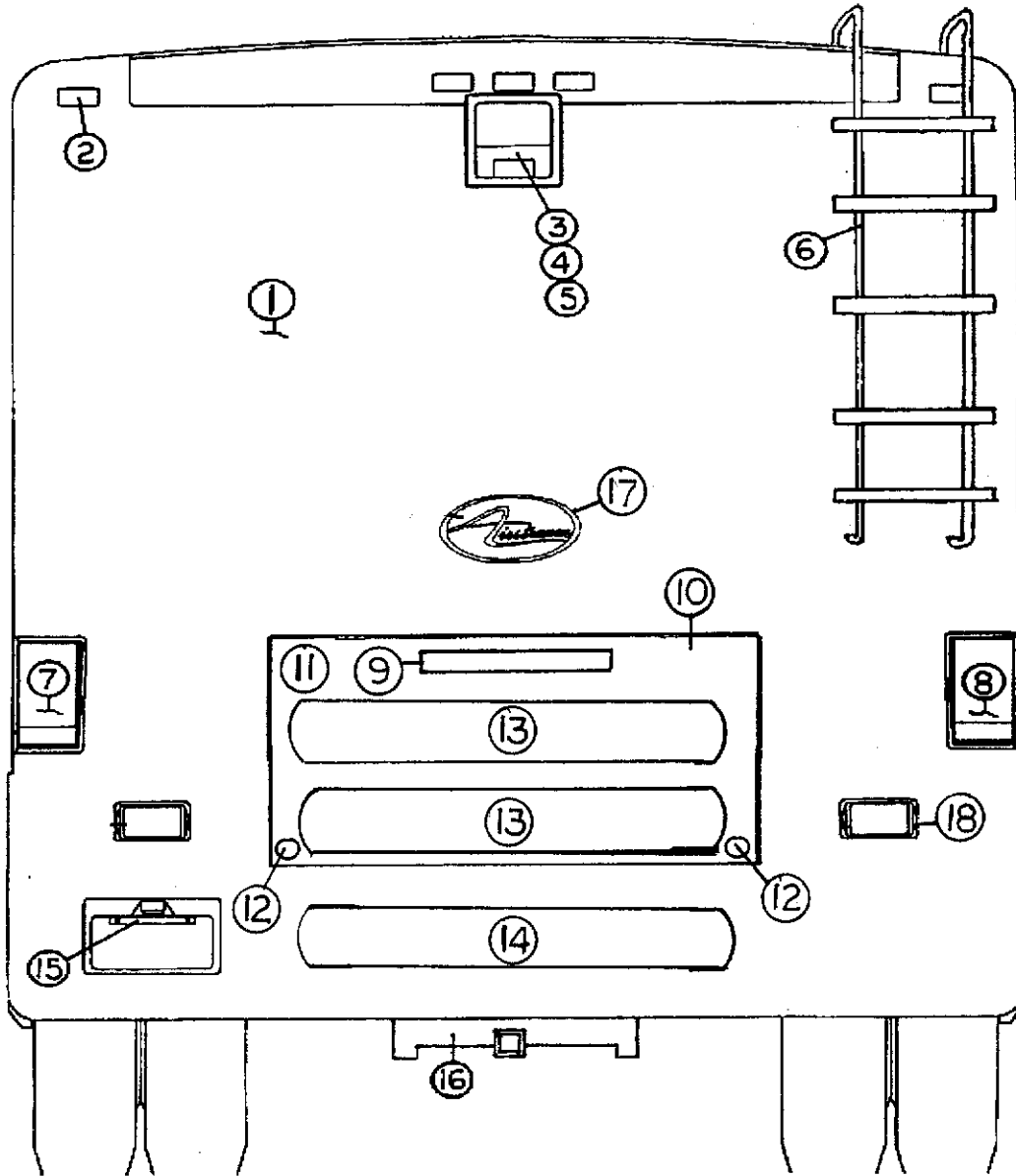


## 2003 360/365 XC DIESEL PUSHER

### FRONT

- 1) 203255 Nose, XC 360 diesel
- 2) 511400 Light, marker, teardrop
- 3) 510804 Horn, air, chrome
- 4) 371339 Windshield, CS
- 5) 371338 Windshield, RS
- 6) 381524 Gasket, windshield (one piece for both sides)
- 7) 201260 Insert rubber, windshield gaskets
- 8) 511512-02 Mirror, CS, remote, heated, black
- 9) 511512-01 Mirror, RS, remote, heated, black
- 10) 203256 Door, generator
- 11) 511550-01 Head light assembly, CS
- 12) 453828-01 Panel nose, SS, side panel
- 13) 453828-02 Panel nose, SS, center
- 14) 511550-02 Head light assembly, RS
- 15) 511562-01 Socket, park/turn light
- 16) 511562-02 Bulb, dual filament, park/turn light
- 17) 511514 Auxiliary head light kit
- 18) 386043-03 Medallion, Airstream, black, 12"

# 2003 360/365 XC DIESEL PUSHER



## 2003 360/365 XC DIESEL PUSHER

### AFT END

- 1) 203257 Rear Cap, Diesel Pusher
- 2) 510984-01 Clearance light, red
- 3) 510918-01 Monitor, Sony Watchman
- 4) 203032 Cover, Back-up camera
- 5) 511044-03 Actuator, Two position, push/pull
- 6) 381639-01 Ladder, rear cap, 2pc, (bottom not shown)
- 7) 511589-01 Tail lamp, L.H., Assy, w/bulbs & sockets
- 8) 511589-02 Tail lamp, R.H., Assy., w/bulbs & sockets
  - a) 511584 Socket, turn signal, Ford
  - b) 511585 Socket, Stop/tail light, Ford
  - c) 511586 Socket, Back-up light, Ford
  - d) 511587 Bulb, 3357, stop/tail
  - e) 511588 Bulb, 3156, turn/back-up
  - f) 511589 Taillight assy, Ford w/o sockets and bulbs
- 9) 511154-02 Light strip, 3rd brake light, 10" x 1"
- 10) NPN Rear engine door assy.
- 11) 203258 Rear engine door, Fiberglass only
- 12) 381227-01 Latch, vise action, engine door
- 13) 453820-04 Screen, rear cap, Door, 10.00" x 47"
- 14) 453820-03 Screen, rear cap, Bumper, 18.50" x 47"
- 15) 511407 License plate light w/holder
- 16) 410830 Hitch, Reese 500/5000 LBS.
- 17) 386043-03 Medallion, Airstream, Black
- 18) 511101-01 Docking light, S.S.

#### Not shown

- 381396 Gasket, clearance light, neoprene  
511361 Light, courtesy, flush-mount, Black  
381434 Hinge, S.S., 3"x8', door  
385587 Bumper, adjustable, rubber, rear door  
381310 Gas prop, door  
381569-05 17" spring, 17 lbs., door

## 2003 360/365 XC DIESEL PUSHER

### ROOF

203024	Fiberglass sheet, roof exterior, 106"wide, Textured
*203379	Fiberglass sheet, roof exterior, 106"wide, Smooth
114568	Extrusion, roof corner cap
114570	Extrusion, awning rail
386093	Awning rail cap, LH
386094	Awning rail cap, RH
702482	Ceiling liner, Spectra Opal
702992	HEADLINER, CEILING VINYL. PETRA CUDDY
800507-01	Paneling, luan, ceiling liner backing
201728-01	Extrusion, ceiling trim retainer
201728-03	Extrusion, ceiling trim
114739-04	EXTRUSION-ROOF/WALL ATTACH
114532-02	BOW ROOF 2 HOLE
114532-03	BOW ROOF 5 HOLE
114532-06	BOW-ROOF 3-HOLE
203069	Registers, ceiling vents
601698-12	E-PEX 3/4 TUBING
330134	RIVET, COUNTER SUNK, OLYMPIC RV6601
601611-02	DUCTING Y-CONNECTORS AC/HEAT CEIL
601611-01	DUCTING A/C-HEAT 2" X 7.5" X 8' CEILING

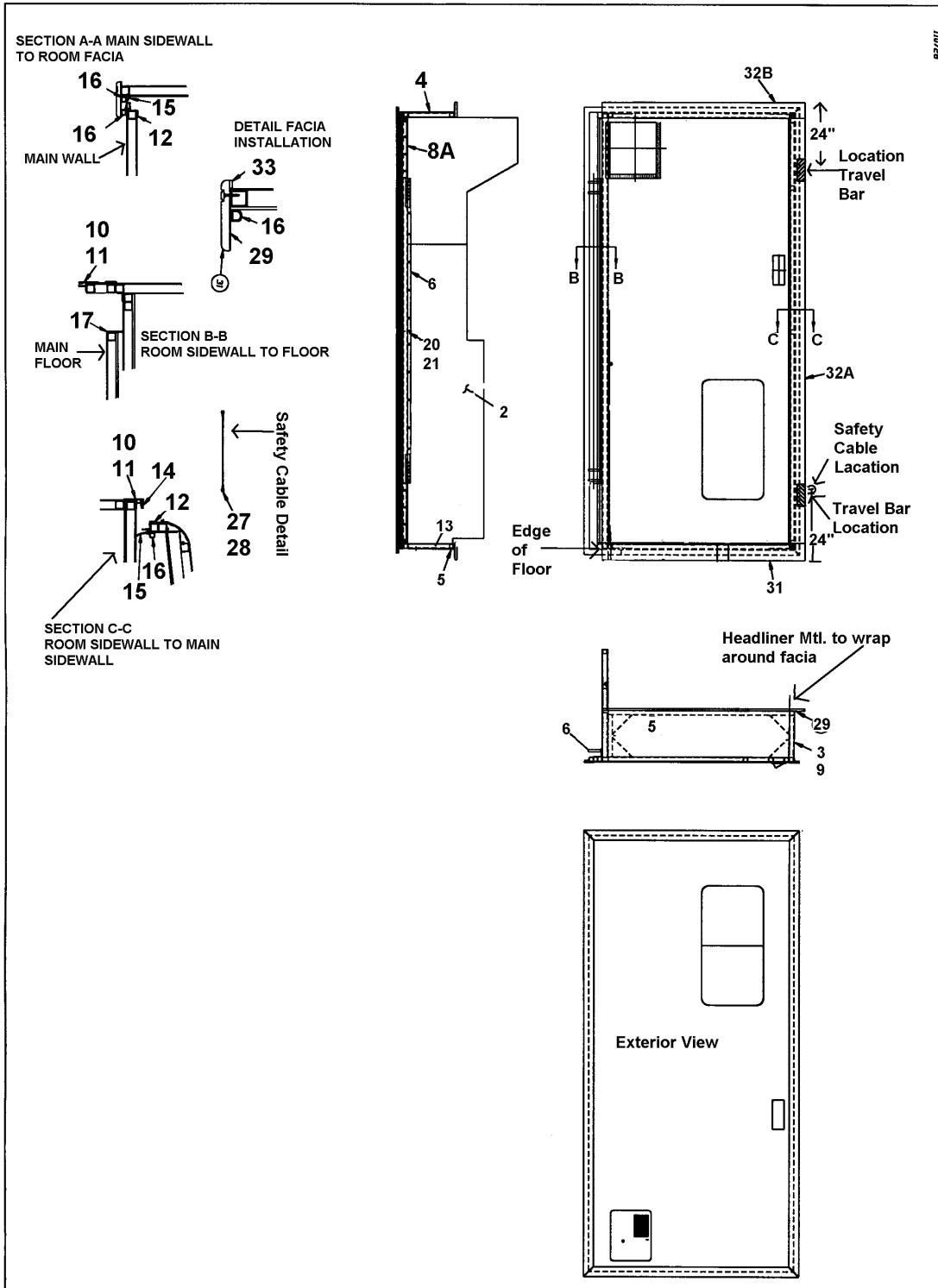
\*Used in place of 203024 after unit 710824.



2003 360/365 XC DIESEL PUSHER

NOTES

# 2003 360/365 XC DIESEL PUSHER



## 2003 360/365 XC DIESEL PUSHER

	Slide-out room Galley 360/365
1) 965128	Main wall assembly, slide-out
2) 965129	Floor assembly
3) 965130	Roof assembly
4) 964917-01	Wall assembly, aft
5) 964917-02	Wall assembly, fwd
6) 915595	Angle, floor mtg., 107.63"
7) 381592-01	Travel Bars
8) 101134	Angle, alum. 1/8" x 1" x 1½"
9) 114839-02	Roof wrap slide-out, 164"
10) 114770	Extrusion, slide-out box
11) 114771	Extrusion, slide-out trim
12) 114726	Extrusion, slide-out frame
13) 114768	Extrusion slide-out corner trim
14) 381594	Rubber extrusion-Bulb
15) 381587	Rubber extrusion-Wiper
16) 381588	Rubber extrusion Bulb w/tape
17) 381589	Rubber extrusion, floor wiper
18) 365235	Tape, double coated
19) 114816	Drain pan, slide-out room
20) 345344	carriage bolt, 3/8-16-3"
21) 350147-37	Nut, Nylox 3/8-16
22) 330139-01	Rivet, Magnalox SS ¼" GR .080-.375
23) 330139-02	Rivet, Magnalox SS GR .350-.625
24) 385946	Warning label-Slide operation
25) 700173	Padding, carpet
26)	Carpet
27) 381455	Loop sleeve, Stainless steel
28) 381456	Cable galvanized uncoated
29) 452400	20 Ga. Galvanized
30) 114970	Trim. Lower slide-out
31) 964267-0Z	molding, decorative 84"
32) 800506-04	Plywood, ½" x 4' x 8'
33) 800572-01	Molding, panel edge, Oak, 23/32 x 80"
381663	Gasket, D-seal
964901-004	Facia 5.5 X 83
964902-004	Facia 5.5 X 73 W/Groove

## 2003 360/365 XC DIESEL PUSHER

### CHASSIS

410830 Reese hitch, Land Yacht XC  
453547 Bracket, L.P. tank

#### KWIKEE STEP

511577 Switch body W/rocker switches, 3-gang, by door  
511578 Switch cover, 3 gang, printed  
511485 Step, electric, double, Kwikiee #903206  
511486 Switch, magnetic, round, in doorjamb  
511022-100 Motor, double step  
511022-101 Control box, main, Kwikiee #909508  
511022-100 Motor, double step  
203133 Step trim, plastic

451811 Extender, tire valve

203280 Mud flap, behind rear wheels  
203281 Mud flap, in front of rear wheels  
203280-01 Mud flap, behind front wheels  
203282 Mud flap, forward of front wheels  
203283 Mud flap, frame reinforce

410829 Exhaust extension 5" x 18", chrome

410773 Hose, fuel fill, 2" I.D.  
452798 Fuel fill cap

## 2003 360/365 XC DIESEL PUSHER

### CHASSIS

#### DASH A/C

690452-00	DASH AIR CONDITIONER/HEATER
690452-01	Evaporator unit, 090-00439
690452-02	Condenser 091-00166
690452-03	Plenum kit 093-00598
690453-04	093-00597

Specific Climate Systems Inc.  
1200 West Risinger Road  
Fort Worth, Texas  
Technical Assistance: 1-800-275-7524

#### SERVICE /PARTS

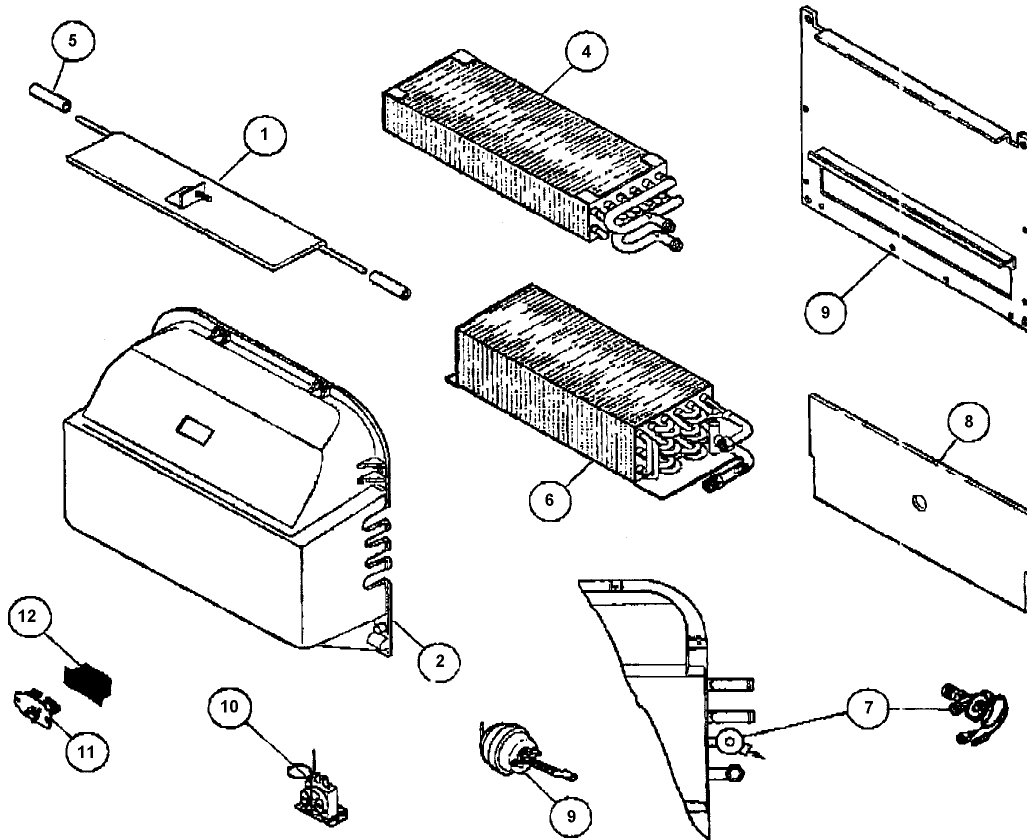
SCS has requested you to call them on the 800 number listed above should you experience any service problems. If your dealership is not able to repair this system they are usually able to help get any repairs needed at an air conditioner repair facility close to your location.

Warranty or retail parts may be obtained by using the toll free phone number above.

The following pages include wiring diagrams and vacuum line diagrams.

# 2003 360/365 XC DIESEL PUSHER

## SCS/Frigette Motorhome HVAC Systems



- 1. 087-00219 DOOR ASSEMBLY
- 2. 062-00605 CASE
- 3. 030-00046 VACUUM MOTOR
- 4. 042-00044 HEATER COIL

- 5. 062-00623 BUSHING
- 6. 041-00157 EVAPORATOR COIL
- 7. 034-00029 EXPANSION VALVE
- 8. 045-00521 INSULATION

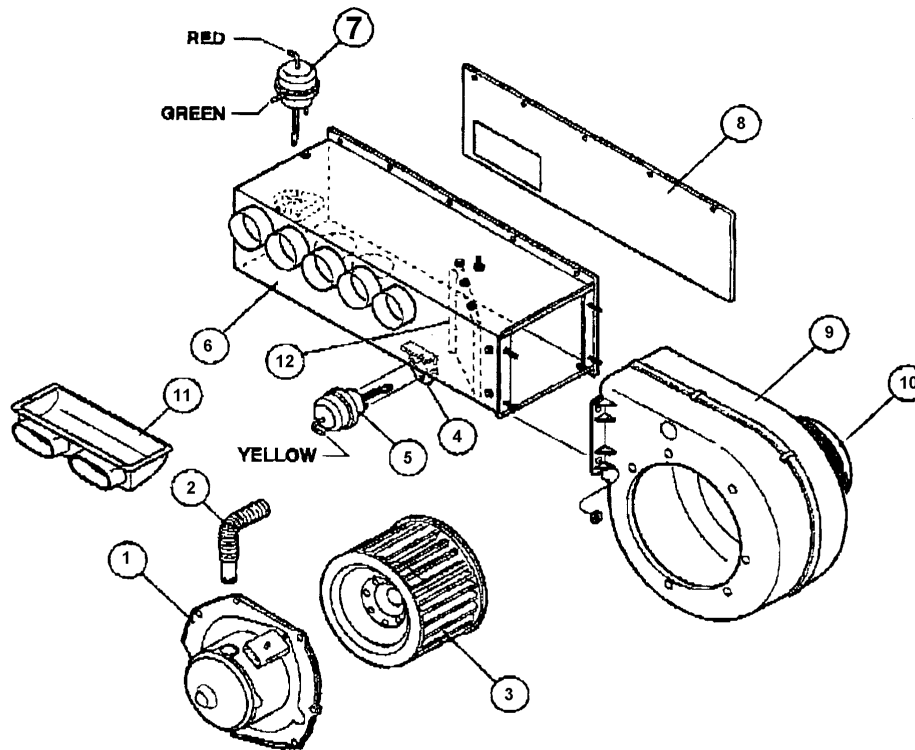
- 9. 071-00680 BACK PANEL
- 10. 033-00003 THERMOSTAT
- 11. 035-00006 RESISTOR
- 12. 071-00143 SHIELD

SPECIFIC CLIMATE SYSTEMS, INC.  
1200 WEST RISINGER ROAD  
FORT WORTH, TEXAS 76134  
TEL. 817-283-5313

**MASTER SERVICE MANUAL**  
**KIT NO. 090-00439; EVAPORATOR**  
**ASSEMBLY 086-00347**

PAGE  
**A-71**  
1/9/01

# 2003 360/365 XC DIESEL PUSHER



- 1. 030-00109 BLOWER MOTOR
- 2. 051-00034 VENT HOSE
- 3. 062-00010 BLOWER WHEEL
- 4. 070-00234 VAC. MOTOR BRACKET

- 5. 030-00025 VACUUM MOTOR
- 6. 071-00763 HOUSING ASSEMBLY
- 7. 030-00048 VACUUM MOTOR
- 8. 071-00762 BACK PANEL

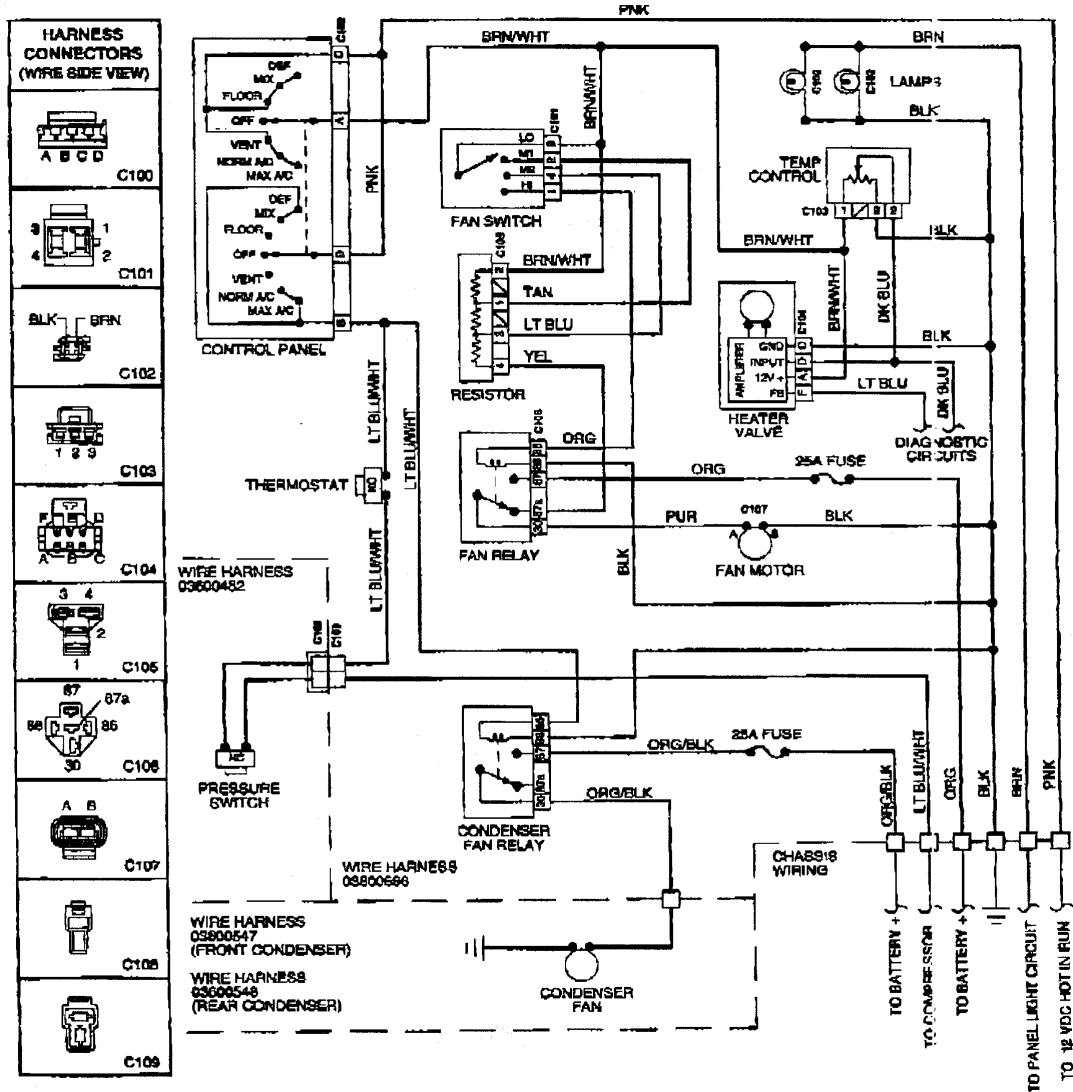
- 9. 062-00113 BLOWER HOUSING
- 10. 060-00135 INLET GUIDE
- 11. 060-00497 HEATER BOX
- 12. 071-00645 DIVIDER

SPECIFIC CLIMATE SYSTEMS, INC. 1200 WEST RISINGER ROAD FORT WORTH, TEXAS 76134 TEL. 817-293-5313	<b>MASTER SERVICE MANUAL</b> KIT NO. 093-00598; PLENUM ASSEMBLY 087-00250	PAGE <b>C-41</b> 1/9/01
---	---	-------------------------------

# 2003 360/365 XC DIESEL PUSHER



## MOTORHOME HVAC SYSTEMS

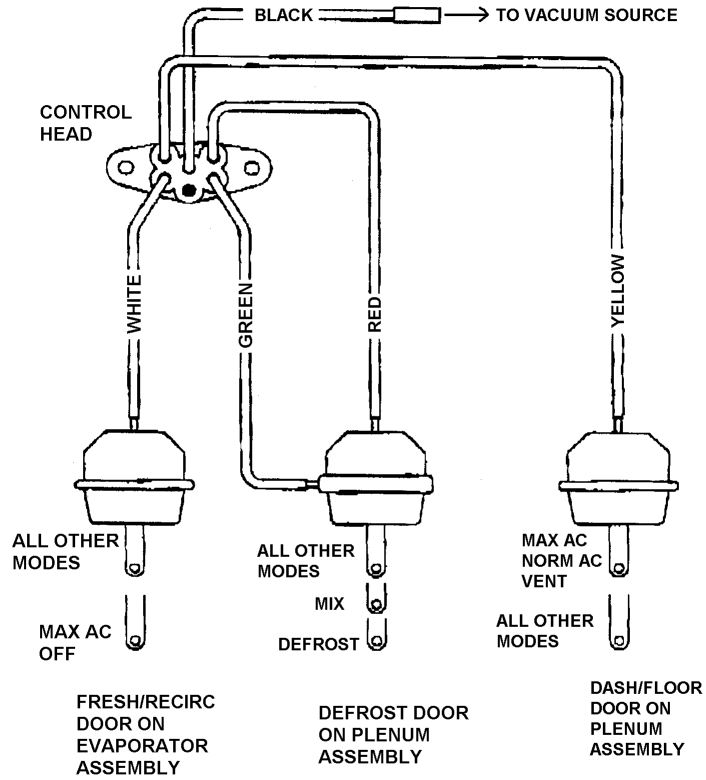


SPECIFIC CLIMATE SYSTEMS, INC. 1200 WEST RISINGER ROAD FORT WORTH, TEXAS 76134 TEL. 817-293-5313	<b>MASTER SERVICE MANUAL</b> <b>WIRING DIAGRAM</b>	PAGE <b>E-40</b> 2501
---	---	-----------------------------



# 2003 360/365 XC DIESEL PUSHER

## SCS/Frigette MOTORHOME HVAC SYSTEMS



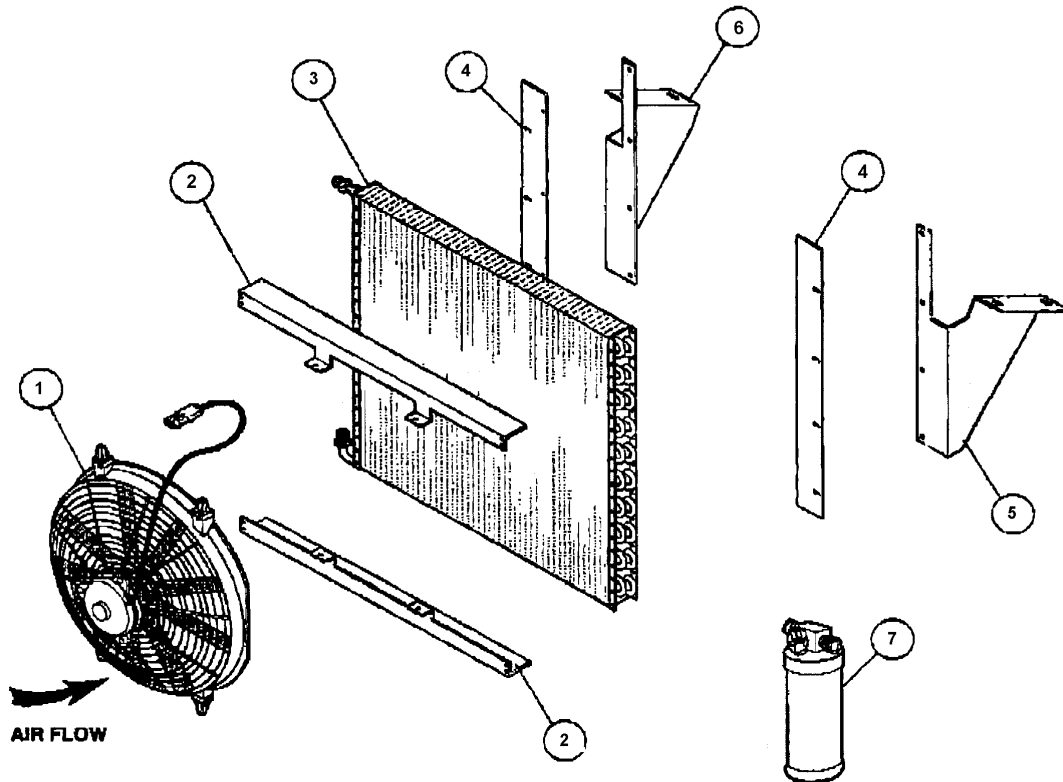
SPECIFIC CLIMATE SYSTEMS, INC.  
1200 WEST RISINGER ROAD  
FORT WORTH, TEXAS 76134  
TEL. 817-293-5315

**MASTER SERVICE MANUAL**  
**VACUUM DIAGRAM**

PAGE  
**F-04**  
7/26/97

# 2003 360/365 XC DIESEL PUSHER

## SCS/Frigette MOTORHOME HVAC SYSTEMS



- 1. 086-00329 FAN ASSEMBLY
- 2. 070-00638 BRACKET
- 3. 040-00096 CONDENSER COIL

- 4. 070-00646 BRACKET
- 5. 070-00637 BRACKET
- 6. 070-00647 BRACKET

- 7. 054-00019 RECEIVER DRIER  
NS 036-00547 WIRE HARNESS\*

\*NS = NOT SHOWN

SPECIFIC CLIMATE SYSTEMS, INC.  
1200 WEST RISINGER ROAD  
FORT WORTH, TEXAS 76134  
TEL. 817-293-5313

**MASTER SERVICE MANUAL**  
KIT NO. 091-00116; CONDENSER  
ASSEMBLY 084-00223

PAGE  
**B-37**  
8/5/98

## 2003 360/365 XC DIESEL PUSHER

### POWER GEAR LEVELING JACK SYSTEM 410825-04 Semi-automatic

500584 Vendor P/N complete kit

Airstream does not stock Power Gear parts, Please contact power Gear at 800-334-4712 for warranty and retail parts replacement.

<b>VENDOR #</b>	<b>DESCRIPTION</b>
500082	9000LB LEG, 22.5, 15, 17.38, 10 (2)
500070	16,000LB LEG, 3 16 20 10 WD LS (2)
500091	KIT, LEG MOUNTING (4)
500507	POWER UNIT ASS'Y
5014-342	HARNESS, PUMP, 342"
5018-280	HARNESS, COACH INTERCONNECT(280")
5017-351	HARNESS, 'B' SYSTEM T.P. TO C.B.
500536	CONTROL BOX 'B'
500535	TOUCH PAD, SYS. 'B'
81-1310	VIDEO, AIRSTREAM - 4 JACK
82-L0100-00	MANUAL, SEMI-AUTO LEVELING
07-1059	FITTING, LEG, 90° (4)
08-A031	31" HOSE (RS REAR)
08-A092	92" HOSE (CS REAR)
08-A264	264" HOSE (RS FRT)
08-A287	287" HOSE (CS FRT)



# 2003 360/365 XC DIESEL PUSHER

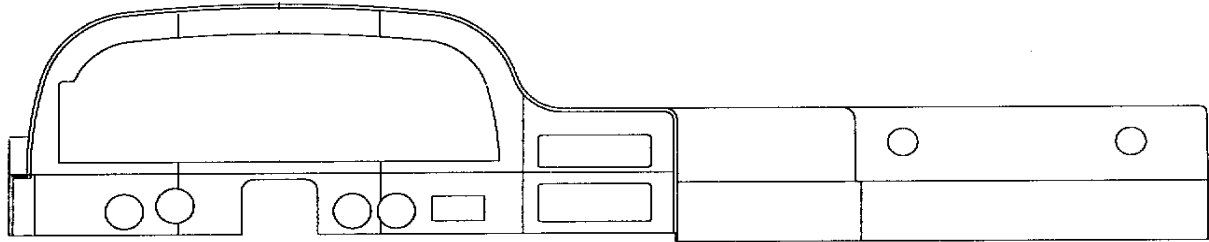
## SECTION II D through E

Dash	
Dash parts.....	II-1
Dash Instrument Panel .....	II-2
Decals (reference) .....	II-3
Doors/Windows/Awnings	
RS wall, 360-365 XC .....	II-4
CS wall, 360 XC.....	II-6
CS Wall, 365 XC .....	II-9
Main and screen door .....	II-11
Awnings .....	II-12
Drapes/Blinds/Valances .....	II-13
Electrical	
110 Volt .....	II-14
12 Volt chassis .....	II-17
Driver-passenger armrest, center console, switches .....	II-18
12 volt dash .....	II-19
12 Volt interior switches .....	II-19
12 Volt interior lights.....	II-20
12 Volt exterior lights.....	II-21
12 Volt Misc. equipment .....	II-20
Battery compartment .....	II-23
Windshield wiper .....	II-24
Entertainment	
Televisions .....	II-26
Radio .....	II-26
Antennas.....	II-26
CD changer .....	II-27
Rear view monitor .....	II-27

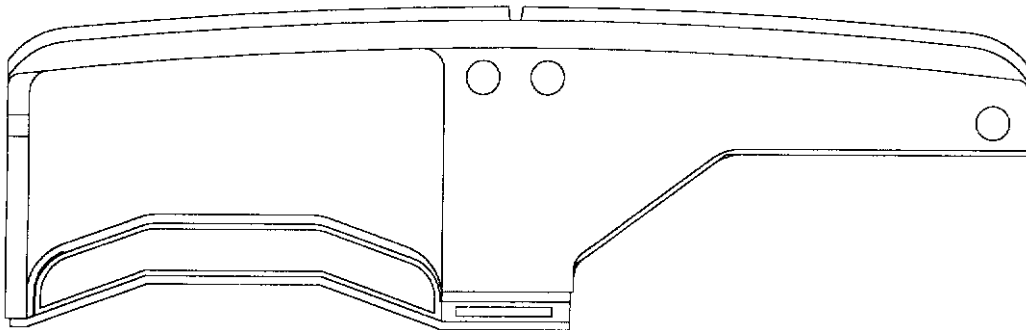


# 2003 360/365 XC DIESEL PUSHER

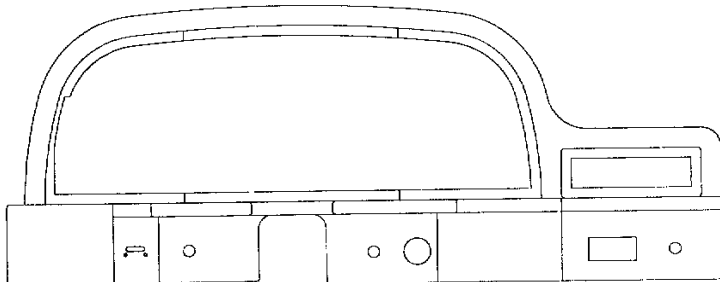
## DASH



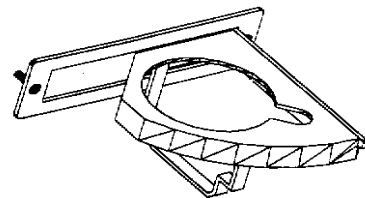
203268 Dash base, fiberglass



203269 Dash, vinyl wrapped



203248 Trim ring, instrument panel,  
Vinyl

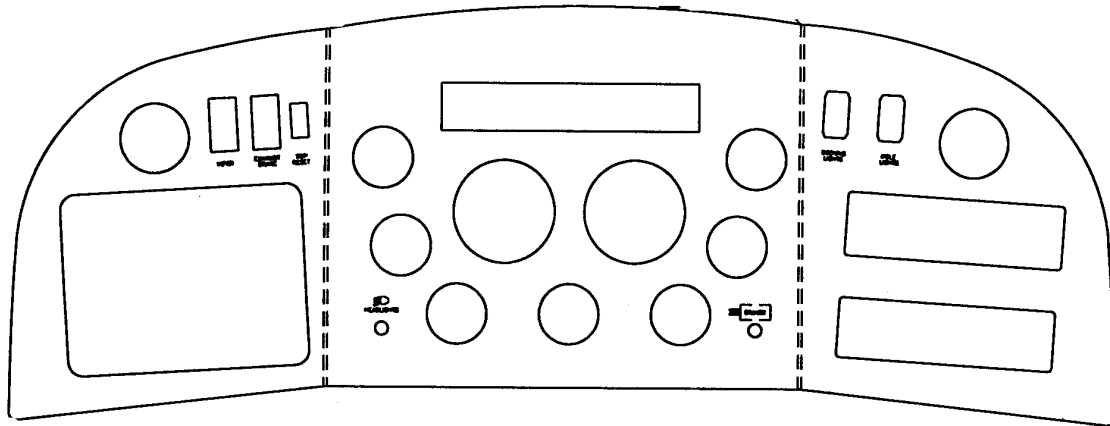


203234 Pop out cup  
holder

Not shown  
386064-03 Medallion, black, 3"

# 2003 360/365 XC DIESEL PUSHER

## DASH INSTRUMENT PANEL



511575

Includes Docking & Aisle Switches only

511579-101	Switch, Docking & Aisle
511419-06	Switch, Wiper
510918-01	Monitor, Sony Watchman
511383-01	Radio, w/cassette/changer XR-CA600XMR04
690430	Louver, dash vent center console, 2.5", black
690429	Louver, dash vent, top & side, 2", black
601762	Adapter, 2.5"-2.0", dash vent
690315-05	# 410-200 GRILLE DEFROSTER DUCT

A/C control is available from SCS See dash AC section.

Exhaust brake, trip reset, headlight, and dimmer switches as well as gauges are Freightliner parts.

See entertainment section for Sony Watchman assy.



## 2003 360/365 XC DIESEL PUSHER

### DECALS

For reference only

There are **no** decals on the exterior of the 2000 Land Yacht XC diesels.

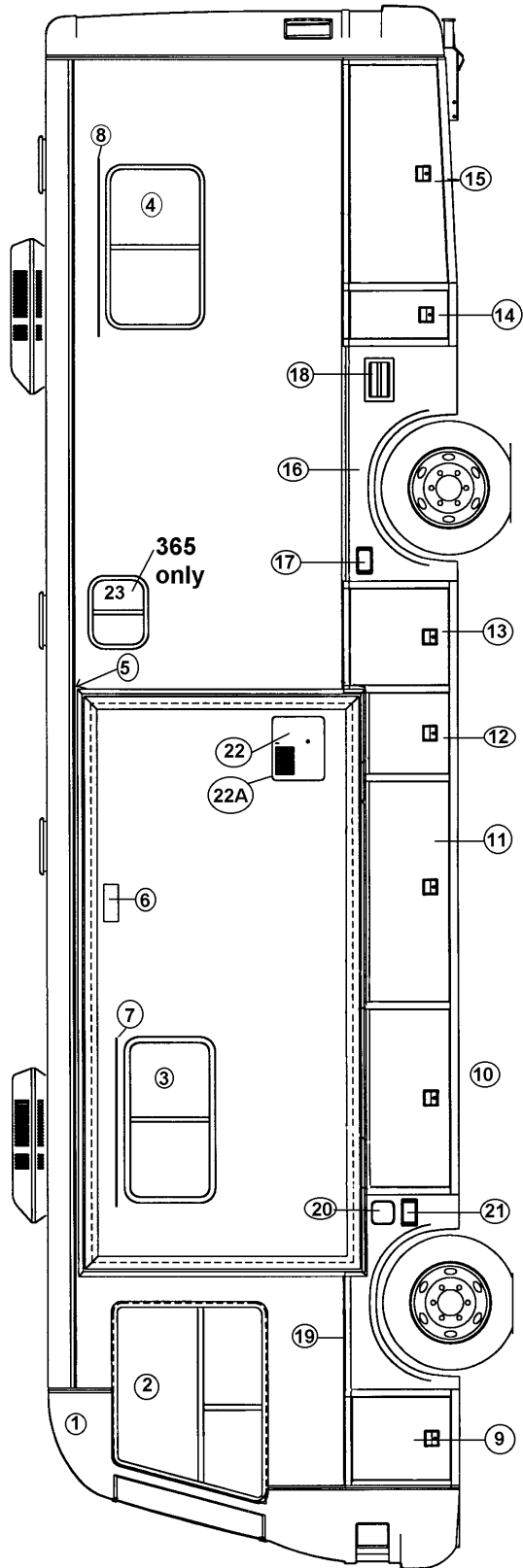
Many places, especially the logos, will appear to be decals but are actually painted.

Each vehicle has been provided with a sheet which lists the color codes on that particular motorhome.

Also, each motorhome is shipped with touch-up paint for each color.

A back-up color chart for each motorhome is kept in Airstream's files. If calling Airstream for this information, ask for "Sales" and have the serial number available for them.

# 2003 360/365 XC DIESEL PUSHER



## 2003 360/365 XC DIESEL PUSHER

### DOORS/WINDOWS/AWNINGS, RS 360-365 XC

(Hardware such as hinges, locks and latches are located  
in the **hardware** section of this book)

- |                |  |
|----------------|--|
| 1) 371338      | Windshield, RS                                 |
| 2) 371365-01   | Cab window, RS                                 |
| 3) 371366-25   | Window, RS slider, 22"x43"                     |
| 4) 371366-24   | Window, RS slider, 26"x43"                     |
| 5) 702949-04   | Cover, roll-up slide out                       |
| 6) 511152-01   | Vent cover, range hood                         |
| 7)**           | Awning, window 6'                              |
| 8)**           | Awning, window, 5'                             |
| 9)* 922584-06  | Compartment door, Assy.-locking, 22.88"        |
| 10) 922582-01  | Compartment door, Assy.-locking, 49.38"        |
| 11) 922584-02  | Compartment door, Assy.-locking, slide, 61.63" |
| 12) 922582-03  | Compartment door, Assy.-locking, 22.56"        |
| 13) 922584-05  | Compartment door, Assy.-locking, 26.94"        |
| 14) 922584-04  | Compartment door, Assy.-non-locking, 13.13     |
| 15) 922585-01  | Compartment door, Assy.-locking, angled, 60.13 |
| 16) 203261     | Fender, rear RS                                |
| 17) 511101-01  | Light, docking, Halogen                        |
| 18) 921177     | Grille, air intake                             |
| 19) 203262     | Fender, RS front                               |
| 20) 201865-02  | Fuel fill housing, Polar white                 |
| 21) 511101-01  | Light, docking, Halogen                        |
| 22) 690259-05  | Access door, water heater                      |
| 22a) 690259-06 | Mounting flange, water heater                  |
| 365 only       |  |
| 23) 371366-29  | Window, horizontal slider, 15.25" x 18.00"     |

Doors 10, 11, and 15 require gas spring 381569-01, 50#

Doors 9,12 and 13 require gas spring 381569-03, 40#

Door 14 requires gas spring 381596-04, 20#

\* 702949-01 Hardware, slide out cover

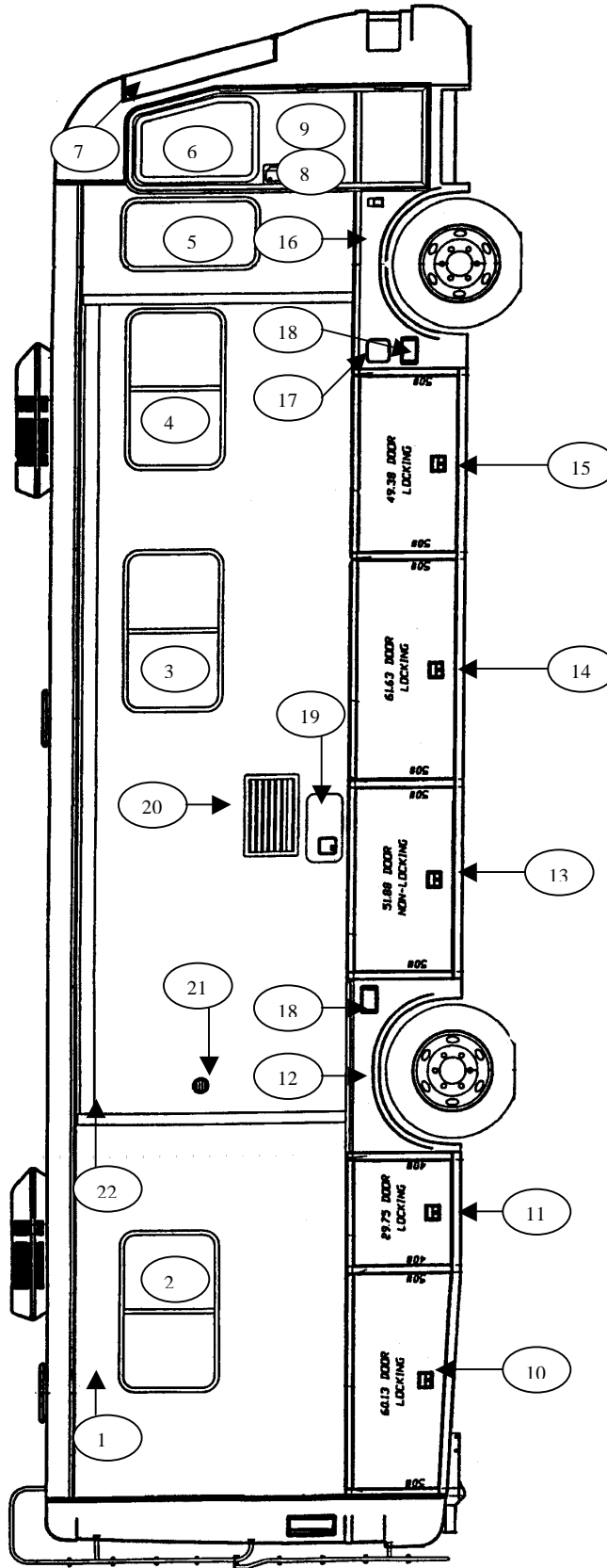
\*\* See awning chart page II-10

Not shown

381641 Door fuel fill access

114808-03 Drip cap, RS cab window

# 2003 360/365 XC DIESEL PUSHER



## 2003 360/365 XC DIESEL PUSHER

### DOORS/WINDOWS/AWNINGS, CS 360 only

(Hardware such as hinges, locks and latches are located in the **hardware** section of this book)

- |               |   |
|---------------|---|
| 1)*           | Awning, window, 5'                              |
| 2) 371366-23  | Window, CS slider, 26"x43"                      |
| 3) 371366-23  | Window, CS slider, 26"x43"                      |
| 4) 371366-23  | Window, CS slider, 26"x43"                      |
| 5) 371366-15  | Window, CS, 18.0"x35.62"                        |
| 6) 371366-16  | Window, angled, main door                       |
| 7) 371339     | Windshield, CS                                  |
| 8) 922451     | Screen door assy.                               |
| 9) 110413-03  | Main door assy.                                 |
| 10) 922585-02 | Compartment door assy., angled, CS rear, 60.13" |
| 11) 922584-03 | Compartment door assy., locking, 29.75"         |
| 12) 203259    | Fender CS rear                                  |
| 13) 922583    | Compartment door assy., non-locking, 51.88"     |
| 14) 922584-02 | Compartment door assy., locking, 61.63"         |
| 15) 922582-01 | Compartment door assy., locking, 49.38"         |
| 16) 203260    | Fender, CS front                                |
| 17) 201865-02 | Fuel fill housing, Polar white                  |
| 18) 511101-01 | Light, docking, Halogen                         |
| 19) 690274-05 | Door, Hydroflame furnace                        |
| 20) 690340-03 | Refrigerator, exterior access door              |
| 21) 381539    | Washer/dryer vent kit, round                    |
| 22) *         | Awning, patio, 17'                              |

Doors 10, 13, 14, and 15 require 50# gas spring 381569-01

Door 11 requires 40# gas spring 381569-03

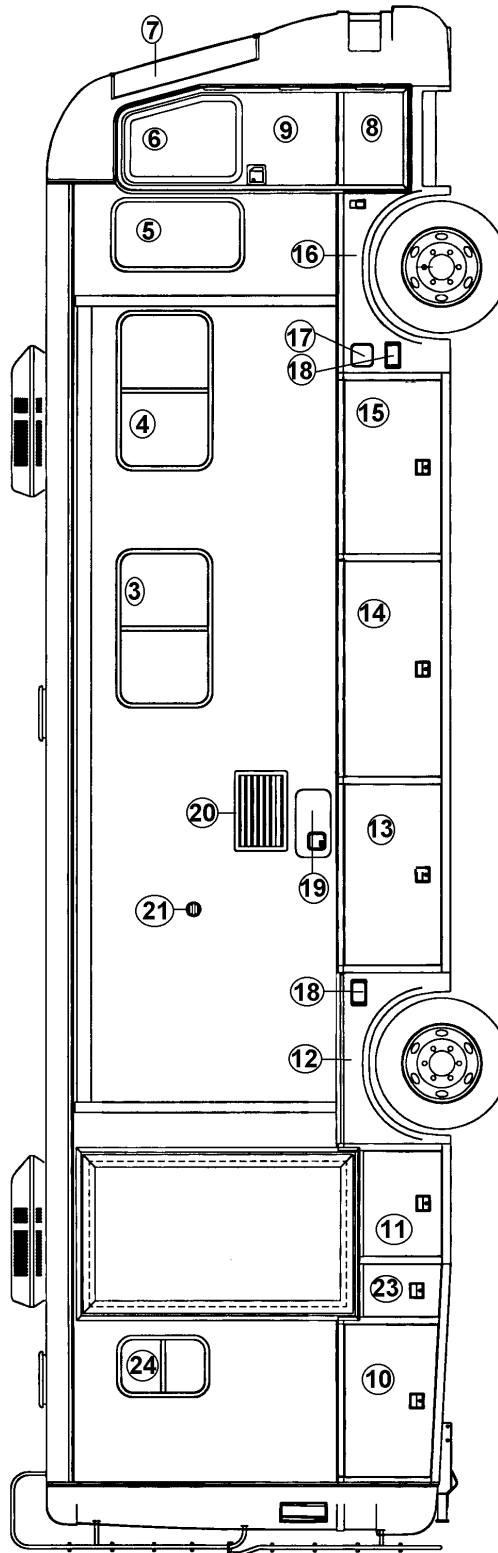
#### Not shown

- |           |  |
|-----------|--|
| 381641    | Fuel fill door                             |
| 452728    | Fuel fill cap                              |
| 114808-04 | Drip cap, cab window, CS                   |
| 914163    | Bracket, main door prop rod                |
| 381697    | Cover, step slide                          |
| 386067-03 | Medallion, 70Th Anniversary, Black, 4.375" |

\*See awning chart page II-10

# 2003 360/365 XC DIESEL PUSHER

## CS Wall 365



## 2003 360/365 XC DIESEL PUSHER

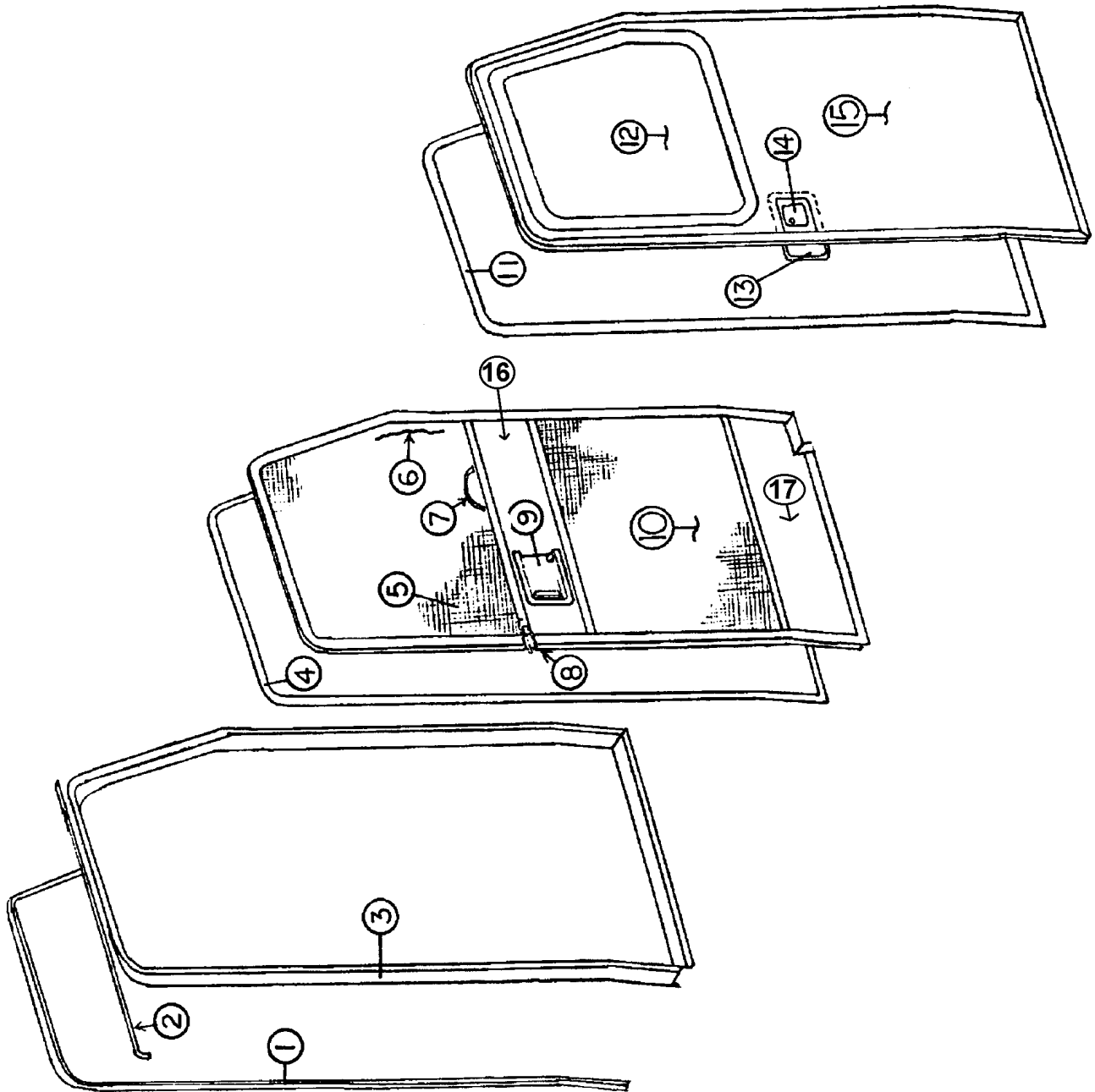
### DOORS/WINDOWS/AWNINGS, CS 365 only

(Hardware such as hinges, locks and latches are located in the **hardware** section of this book)

1)*	Awning, window, 5'
2) 371366-23	Window, CS slider, 26"x43"
3) 371366-23	Window, CS slider, 26"x43"
4) 371366-23	Window, CS slider, 26"x43"
5) 371366-15	Window, CS, 18.0"x35.62"
6) 371366-16	Window, angled, main door
7) 371339	Windshield, CS
8) 922451	Screen door assy.
9) 110413-03	Main door assy.
10) 922614	Door, locking, 43.00"
11) 922582-04	Door, locking, 29.75
12) 203259	Fender CS rear
13) 922583	Compartment door assy., non-locking, 51.88"
14) 922584-02	Compartment door assy., locking, 61.63"
15) 922582-01	Compartment door assy., locking, 49.38"
16) 203260	Fender, CS front
17) 201865-02	Fuel fill housing, Polar white
18) 511101-01	Light, docking, Halogen
19) 690274-05	Door, Hydroflame furnace
20) 690340-03	Refrigerator, exterior access door
21) 381539	Washer/dryer vent kit, round
22) *	Awning, patio, 17'
23) 922613	Door, locking, 14.75
24) 371366-30	Window, vertical slider, 26.50" x 15"
381569-01	50# gas spring, doors 10, 13, 14, and 15
381569-03	40# gas spring door 11
Not shown	
381641	Fuel fill door
452728	Fuel fill cap
114808-04	Drip cap, cab window, CS
914163	Bracket, main door prop rod
381697	Cover, step slide
386067-03	Medallion, 70Th Anniversary, Black, 4.375"

\*See awning chart page II-10

# 2003 360/365 XC DIESEL PUSHER





## 2003 360/365 XC DIESEL PUSHER

### MAIN and SCREEN DOOR

- 1) 114829 Trim, inside doorjamb
- 2) 114966 Drip cap, main door/window
- 3) 922519 Jamb, main door
- 4) 365013-01 Gasket, screen door, low-density foam
- 5) 380079 Screen, plastic mesh
- 6) 200518 Spline, gray, round, screen installation
- 7) 380004 Pull handle, screen door w/screws
- 8) 381454 Latch, screen door, double action, Bullet
- 9) 203000 Closeout, plastic, sliding, screen door, (gizzy)
- 10) 922522 Screen door assembly
- 11) 365045 Seal, main door
- 12 371366-16 Window, angled, main door
- 13) 203127 Cover, inner door lock pocket, plastic
- 14) Door lock: the main door lock is made up of five separate parts- see hardware in Section III for listing
- 15) 922521-100 Main door assembly
- 16) 114561 Panel slider, screen door
- 17) 114837 Kick panel, screen door

## 2003 360/365 XC DIESEL PUSHER

### AWNINGS

#### DRIFTWOOD/GOLD

702679-52W	Awning, patio, 19'
702679-05W	Awning, window, 5'
702679-55W	Awning, window, 6'
702679-54W	Awning, door, 4'

#### STEEL BLUE

702679-57W	Awning, patio, 19'
702679-36W	Awning, window, 5'
702679-37W	Awning, window, 6'
702679-38W	Awning, door, 4'

#### AUTUMN WOOD/ROMAN SANDS

702679-58W	Awning, patio, 19'
702679-40W	Awning, window 5'
702679-41W	Awning, window, 6'
702679-43W	Awning, door, 4'

#### EMERALD CLAY

702679-56W	Awning, patio, 19'
702679-45W	Awning, window, 5'
702679-46W	Awning, window, 6'
702679-48W	Awning, door, 4'

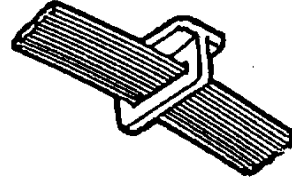
#### AWNING MOUNTING HARDWARE

702679-11W	Hardware, patio awning, tall
702679-12W	Hardware, window awning, 5 & 6'
702679-27W	Hardware, door awning

Hardware and some metal on awnings are Polar White.

# 2003 360/365 XC DIESEL PUSHER

## DRAPES/BLINDS/VALANCES



101220  
Track, stand-off

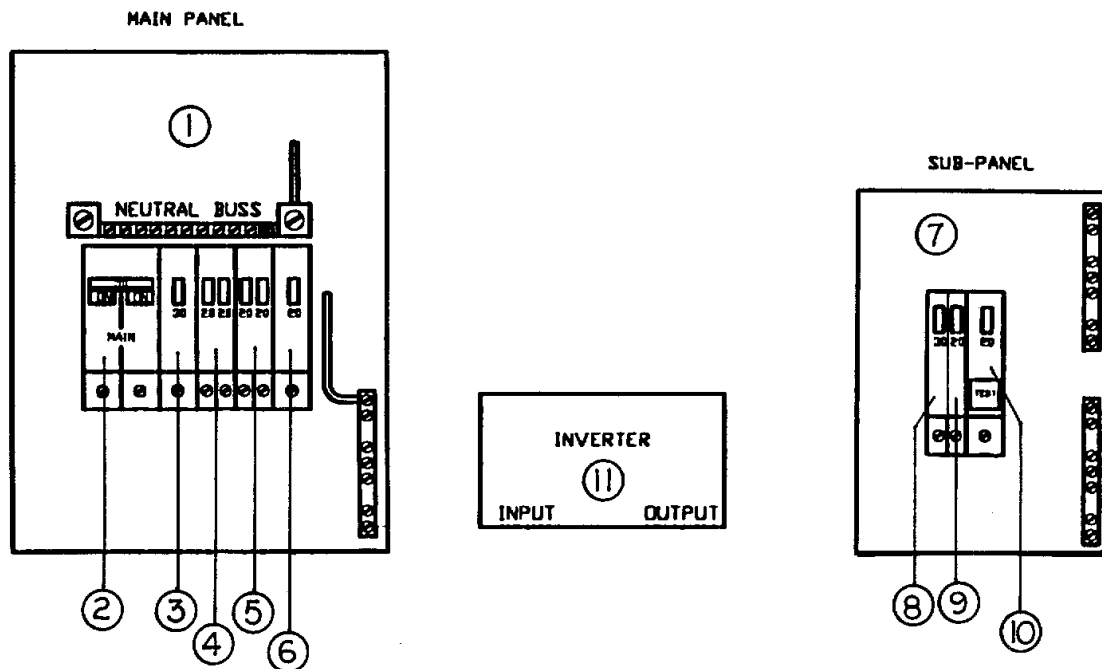
101217  
track, curtain

700044  
glides, w/elastic "T"

108971	TRACK, FRT. LOUNGE DRAPES	
101225	EXTR. ALUM CURTAIN TRACK ATTACH	
100097	EXTR. ALUM CURTAIN TRACK	
200784	End, curtain track, CS	
200785	End, curtain track, RS	
702975	Shade, front windshield wrap, set	
964746	Stop, front windshield wrap, oak 3.5" x 43.0"	
702818	Shade, Kool Screen, black, cab	
702969-29	Shade, single, pleated night	45.0" x 29.0"
702968-29	Shade, pleated, day/night	45.0" x 29.0"
702968-30	Shade, pleated, day/night	45.0" x 25.0"
385963	Bracket, valance mounting, side	
964121-01	Valance, lounge/dinette, RS 64.25"	
964792-02	Valance, bedroom	
964232-04	Shadow box, bedroom	
964989	Shadow box, dinette	60.25" x 29.75"
964232-03	Shadow box, dinette	
964232-01	Shadow box, R/S lounge	

# 2003 360/365 XC DIESEL PUSHER

\*ELECTRICAL  
110 VOLT



- |               |  |
|---------------|--|
| 1) 511571     | Breaker box, main                      |
| 2) 510724     | Breaker, double pole, 50-amp, Square D |
| 3) 510663     | Breaker, 30-amp, Square D              |
| 4) 510662     | Breaker, double pole, 20/20, Square D  |
| 5) 510662     | Breaker, double pole, 20/20, Square D  |
| 6) 510678     | Breaker, 20-amp, Square D              |
| 7) 511041     | Breaker box, sub-panel, CSA Only       |
| 8) 510564-02  | Breaker, 30-amp, Bryant, CSA Only      |
| 9) 510564-01  | Breaker, 20-amp, Bryant, CSA Only      |
| 10) 510564-20 | Breaker, 20-amp, GFI, Bryant, CSA Only |

511418-07 Inverter/charger, 2000watt

Not shown:

- |           |  |
|-----------|--|
| 511418-05 | Battery temperature sensor                     |
| 511418-09 | Inverter/charger, dual 15-amp output, CSA only |
| 510564-15 | GFI Breaker, 15A. GFI, Bryant, CSA only        |
| 511418-02 | Switch, on/off, remote                         |
| 511418-03 | Fuse holder, 300-amp                           |

\*See ENTERTAINMENT section for radio, TV, antenna etc.

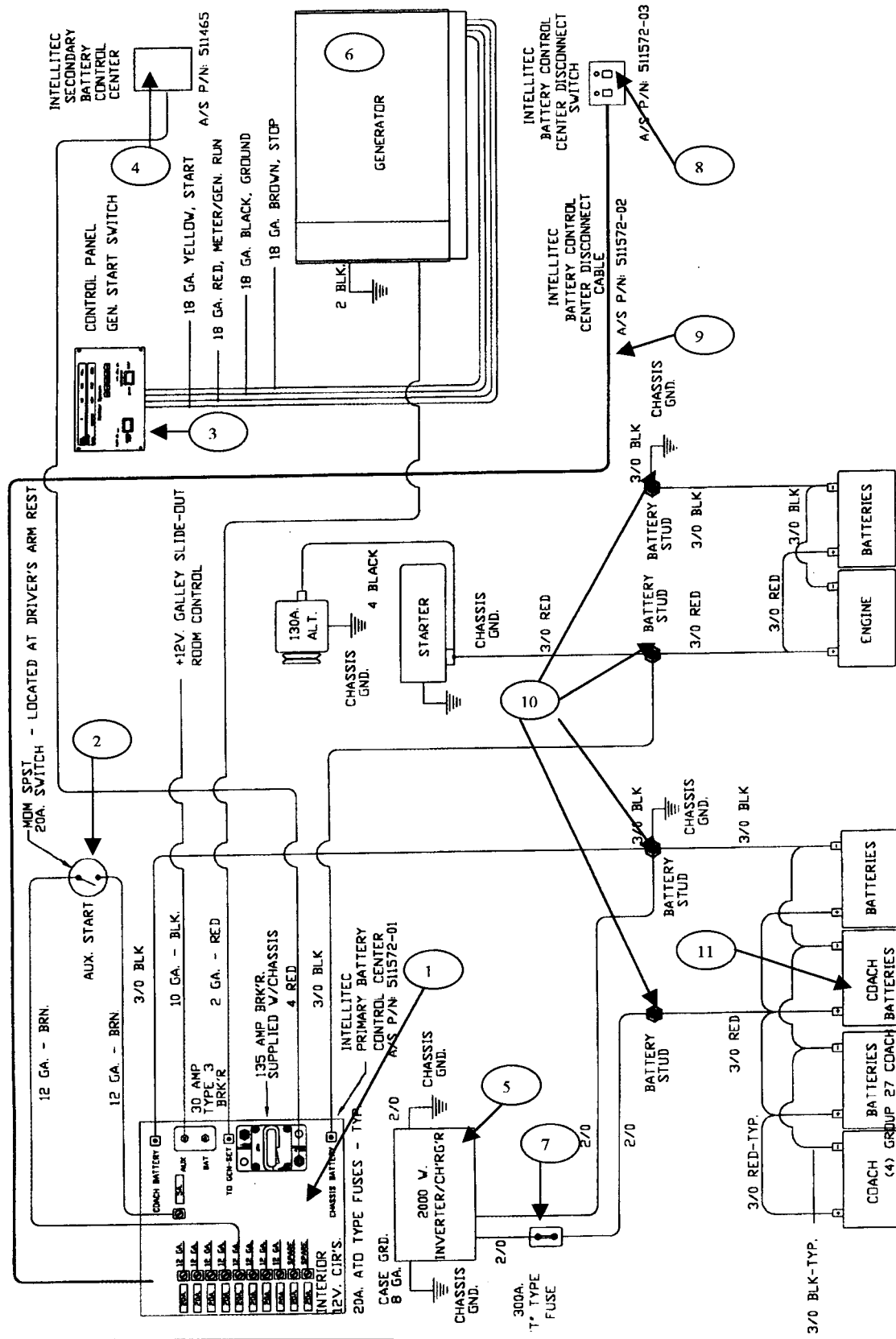
# 2003 360/365 XC DIESEL PUSHER

## ELECTRICAL

### 110 VOLT

511149-04	Power cord, 50-amp w/male end
511533	Switch over box, 50 amp, city-power to gen.
381435	Hatch, power cord, white
511580	Generator, Onan 8.0 QD
510103	Hour meter, Hobbs
381734	Generator slide-out tray
915608	Generator latch assy.
914345	Generator exhaust
511303-01	Remote control harness
511206-02	Box, weather proof, 2-gang
511278	Lock out, 110 volt disconnect
500785	Outlet, duplex brown
511023	Tester, circuit analyzer, 3-wire (Provided loose in vehicle)
10469W	30M-50F Adapter plug, 18", loose item

# 2003 360/365 XC DIESEL PUSHER



## 2003 360/365 XC DIESEL PUSHER

### \*ELECTRICAL 12 VOLT-CHASSIS

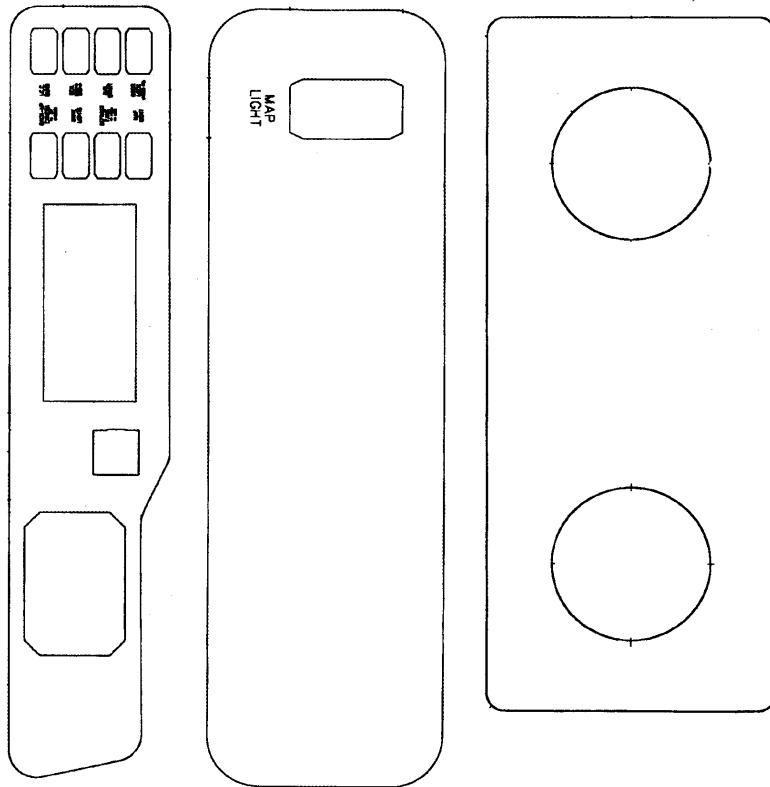
- |               |   |
|---------------|---|
| 1) 511572-01  | Primary battery control center, Intellitec                  |
| 2) 511579-103 | Auxiliary start switch, located in armrest                  |
| 3) 511446     | Control panel, Generator start switch                       |
| 4) 511465     | Secondary battery control panel                             |
| 5) 511418-07  | 2000 W inverter/converter                                   |
| 6) 511580     | Generator, 8.0 QD   |
| 7) 511418-03  | Fuse holder & fuse (300-amp)                                |
| 511418-04     | 300-amp fuse only   |
| 8) 511572-05  | Battery disconnect switch, Intellitec                       |
| 9) 511572-02  | Disconnect switch cable, Intellitec                         |
| 10) 511510-02 | Junction block, stud type, Red.<br>(Paint black for ground) |
| 11) 511132    | Battery, deep cycle   |
| 500475-30     | Breaker, 12 volt DC, 30 Amp, w/ears                         |
| 510947-50     | Breaker, 12 volt DC, 50 amp                                 |
| 511418-05     | Battery temperature sensor                                  |
| 510844-01     | Socket, relay for Power Gear jack system                    |
| 510844-02     | Relay, Bosch, for Power Gear jack system                    |

#### Not Shown:

- |            |   |
|------------|---|
| 511571-01  | Load center, 100A w/flush cover, CSA only |
| 381739     | Buckle, battery strap                     |
| 703116     | Strap, battery                            |
| 195345-01  | 1 ½" Brown nylon webbing                  |
| 203263     | Box, battery Rotocast                     |
| 511572-05  | One gang switch panel, brown              |
| 511112     | Vacuum pump                               |
| 195466-251 | Fuse holder w/cover, weatherproof, 30 A.  |

# 2003 360/365 XC DIESEL PUSHER

## ARMREST, CENTER CONSOLE SWITCH & DASH PANELS



511576  
Driver switch  
Panel

511574  
Pass. Switch  
Panel

511573  
Center Console  
(center of dash)

### Switches

511579-100	Back-up camera, Door lock
511579-101	Drive, map, aisle, docking lights
511579-102	Defrost fans, HI-LO
511579-103	Aux start, I.C.C. blink
511579-104	Generator stop/start
511579-105	Switch blank (if needed)
511579-106	LED light & Bezel door unlocked warning
511305-10	Remote exterior mirror
511419-06	Wiper/washer
690430	Vent, louver for center console A/C outlet



## 2003 360/365 XC DIESEL PUSHER

### 12-VOLT DASH

510596	Cigarette lighter
510807	Outlet, 12 volt, lighter receptacle
511276	Cover, 12-volt outlet, black
511385-01	Theatre sound system source selector switch
511579-101	Switch, driving light, aisle light
511419-06	Switch, wiper/washer

\*Note: Engine check, head light switch, dimmer, gauges and air dump valve are provided by the chassis manufacturer.

### 12 VOLT-INTERIOR SWITCHES

511577	Switch body W/rocker switches, 3 gang by the door
511578	Switch cover, 3 gang printed white, at door
511329	Switch, rocker, SPDT, white, hallway
511327	Switch body w/rocker, single, rear ceiling light
511328	Switch cover, printed white, rear ceiling light
511424	Switch, map light, white
381541-02	Switch, roof vent, bathroom
510868-03	Switch, 4 gang, bathroom, white
500933	Switch, water heater
511040	Switch, door, momentary, normally on
511506	Remote Gen. start switch (bedroom)
511508-01	Cover, gen. start switch, black (bedroom)
511078	Switch body, Illuminated
511083-02	Cover, switch, 3 & 4 gang
511513	Light, green LED, battery switch indicator
500913-02	Switch, T & B, brown
511474-02	Dimmer switch

## 2003 360/365 XC DIESEL PUSHER

### ELECTRICAL 12 VOLT-INTERIOR LIGHTS

500960-02 680085	Light, fluorescent, recessed, 20.63" Bulb, fluorescent, #F8T5-CW
500960-01 680084	Light, fluorescent, recessed, 14.75" Bulb, fluorescent, #F8T5-CW
511609-01 511609-02	FIXTURE-BRASS W/DECORATIVE FINIAL GLOBE-DINETTE 8.5"PRISMATIC
511298 511298-02 510689	Wall lamp, 12 volt Shade, wall lamp, round Bulb incandescent, #1076
511492	LIGHT-MEDICINE CAB.3-BULB
500842 680084	Light, fluorescent, 12" x 5.5" x 1" Bulb, fluorescent, F8T5-CW
511361	Light, courtesy, flush mount, walkway, black (No separate bulb)
511422 511137-100	Light, map, halogen, white Bulb, halogen, JC-10, wedge base
500956 681924	Light, wardrobe w/switch Bulb, wardrobe light, #581
511417 510689	Wall light, Demi-sconce, slide out Bulb, incandescent, #1076
511248 50085-02	Light w/switch, single incandescent Bulb #1141

# 2003 360/365 XC DIESEL PUSHER

## ELECTRICAL

### 12 VOLT-EXTERIOR LIGHTS

511163	Light, compartment
510672-02	Porch light, white (high on side of unit)
510732	Utility light#1327 (by door)
511101-01	Light, docking, halogen, chrome bezel
201991	Housing, docking light
511589-01	Tail lamp assy. LH Ford, 7452RV, w/bulbs & sockets
511589-02	Tail light assy. RH Ford 7453RV, w/bulbs & sockets Bulb and socket individual P/N are on page I-15
511154-02	Light strip, 3rd brake light, 1"x10"
510984-01	Light, clearance, red
511361	Light, license plate
511248	Light w/switch, single incandescent bulb
511550-01	Head light, dual, CS
511550-02	Head light, dual, RS
511529	Headlight bulb, V-100
*511562-01	Socket, front turn and parking light
511562-02	Bulb, dual filament, turn and parking light
511250-02	Light, side marker, amber
511400	Light, marker, amber, tear drop
510984-02	Light, clearance, amber
511514	Driving light kit
510673-02	Light, utility w/ switch, black
511477	SPOTLIGHT-HALOGEN 12V BRASS

\*Note: The front parking/turn lights are part of the head light assembly.

# 2003 360/365 XC DIESEL PUSHER

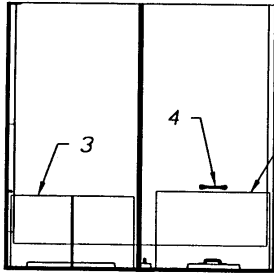
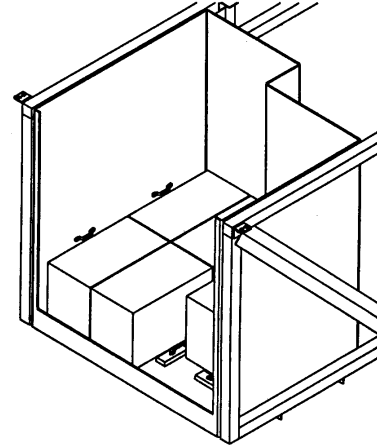
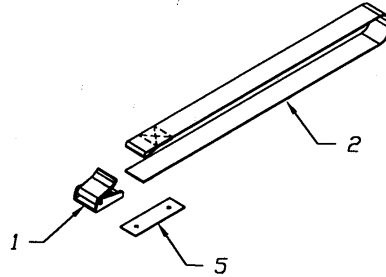
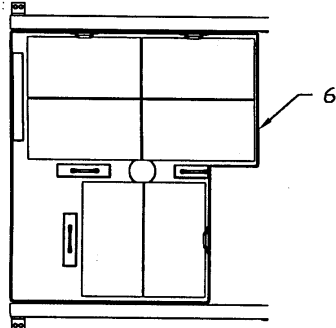
## ELECTRICAL

### 12 VOLT-MICS. EQUIPMENT

510804	Air horn, chrome #981-1
510804-01	Elbow kit, air horn
511512-01	Mirror, Velvac, remote, heated, RS, black
511512-02	Mirror, Velvac, remote, heated, CS, black
511305-10	Switch, remote, heated mirrors
511446	Monitor panel
511162-01	Keyless entry w/remote
511162-02	Transmitter, 4 channel, Requires S/N from receiver.
510802-01	Actuator, door lock, 5-wire
511352	Locking module, centralized
114091	PLATE MTG. DOOR LOCK ACTUATOR
451486	FLAT LINKAGE ELECTRIC DOOR LOCK
451485	WIRE LINKAGE, ELECTRIC DOOR LOCK
511412	Solar panel, 10 watt
511413	Light, solar panel
510781	Detector, smoke
511309	Detector, LPG
511343	Detector, carbon monoxide
510844-01	Relay, Bosch, used with leveling jack system
510844-02	Socket, Bosch relay
510734	Alarm, back-up
510976	Buzzer, head light warning
511605	Exterior water pump switch
203369	Cover electrical panel
913938	Bracket, 7-way plug
201890	Cover exterior, 110-volt, below floor

# 2003 360/365 XC DIESEL PUSHER

## BATTERY COMPARTMENT

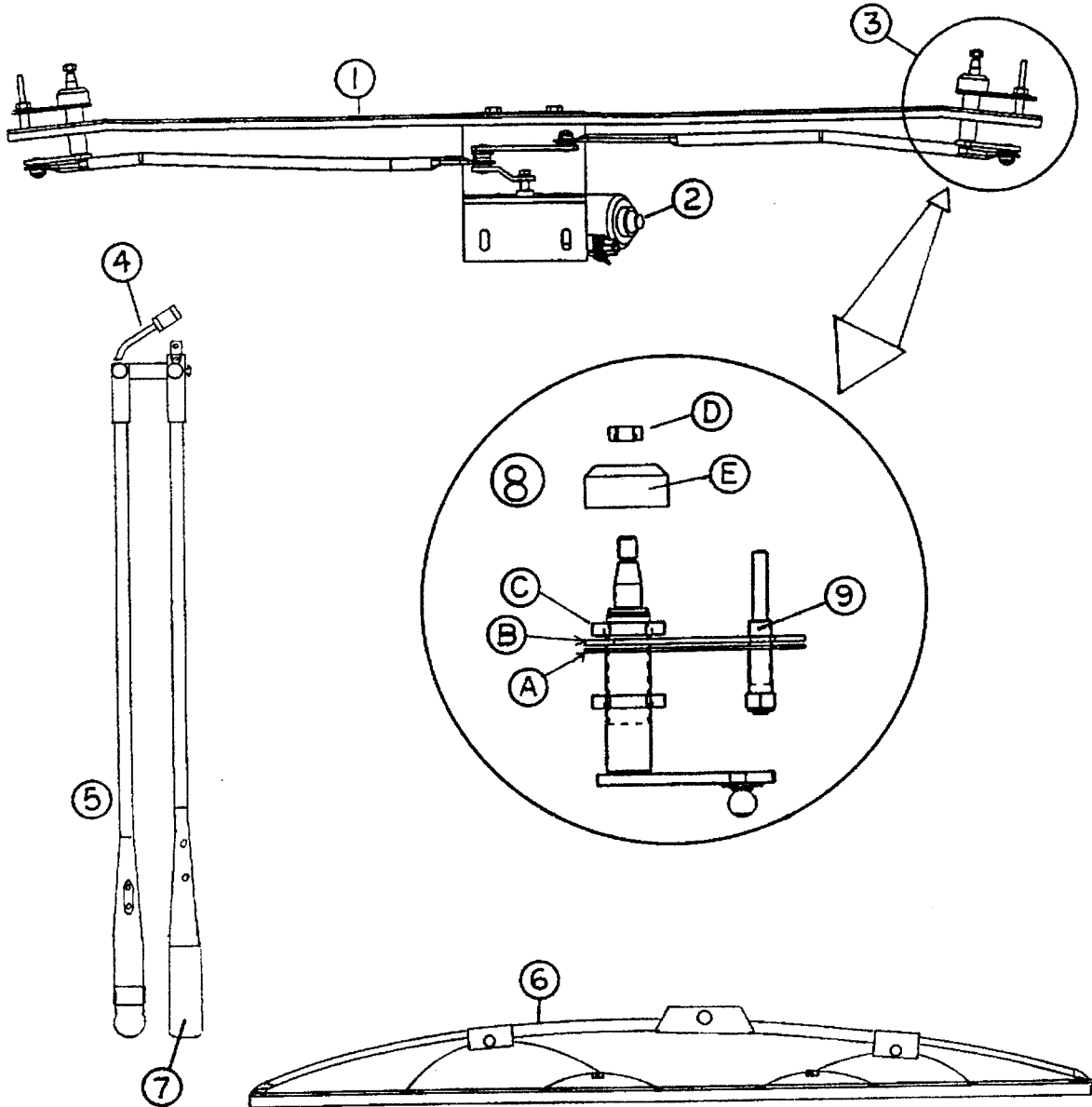


FREIGHTLINER BATTERIES (2)  
REFERENCE ONLY

6	203263	BATTERY BOX; ROTOCAST (BLACK)
5	453843	BATTERY STRAP PLATE
4	381566	FOOTMAN LOOP
3	511132	BATTERY
2	703116	BATTERY STRAP
1	381739	BUCKLE; BATTERY STRAP
ITEM	PART NUMBER	DESCRIPTION

# 2003 360/365 XC DIESEL PUSHER

## WINDSHIELD WIPER SYSTEM



## 2003 360/365 XC DIESEL PUSHER

### WINDSHIELD WIPER

- 1) 511419-01 Windshield wiper assy.
- 2) 511440-100 Wiper motor, Ford /Freightliner
- 3) 511440-102 Pivot and link assy.
- 4) 511419-103 Washer jet and tubing, Trico
- 5) 511419-104 Pantograph arm assy, Trico
- 6) 511419-105 Blade assy., 28", Trico
- 7) 511419-106 Head cover, main arm, black, Trico
- 8) 511440-107 Hardware kit, includes the following:
  - a) gasket
  - b) face plate
  - c) thin nut
  - d) 8 mm nut
  - e) rain shield
- 9) 511440-108 Swivel assy, slave arm, Trico

#### Not shown:

- 511419-06 Switch, wiper/washer
- 511844-01 Relay, Bosch

## 2003 360/365 XC DIESEL PUSHER

### ENTERTAINMENT

510788-01	Antenna, TV, Winegard
510788-03	Amplifier, TV antenna
511458	Antenna, CB
500976	Outlet, TV jack
500996	Jack, TV/phone, gray
510624-01	Modular phone quick jack, white
500994	Antenna, radio
690451	TV, Front, 20" stereo, Sony, MDL. KV-20FS12
690436-02	TV, Rear, 20", stereo, Sony, MDL. KV-20FS12MT12 (Has adapter for dual headphone system)
511633	Patch cord, male to male, 10 ft.
511634	PATCH CORD 3-WAY M/M RCA 6'
511383-01	Radio w/cassette/changer XR-CA600XMR04
511383-02	Remote control, Sony, RM-X91 wireless
511619	Speaker, 6.5", black, 120 W, (Per pair)
511623	Bracket, cube speaker
511464-07	Dual speaker/headphone system, bedroom
511464-05	Control, headphone/dual speaker system
511464-06	Harness, headphone/dual speaker system
511464-02	Speaker, 4', 5watt headphone/dual speaker system
511464-03	Grill, speaker, headphone/dual speaker system
500975	Headphones, lightweight
511423	Plug-earphone
690449	Satellite receiver, DSS Sony
511624-01	Satellite System, Automatic stationary
511635	Plate, dual cable entry



## 2003 360/365 XC DIESEL PUSHER

### ENTERTAINMENT

690479	DVD/ SYSTEM DOLBY 5:1 SONY DAVS-450
690479-01	Cube Speaker
690479-02	Main DVD-CD unit
690479-03	Base module
690479-04	Remote control (RM-SS450)
511191	CD changer, 10 disc, Sony CDX-646
511191-01	CD Changer Data cable, 5.5 meter
511191-02	Male to male patch cord, 5.5 meter
511310	Video control center
510918-01	Monitor, Sony Watchman
511579-100	Switch, back-up camera, armrest
511044-03	Actuator, two-position camera, interior
201888	Close-out, monitor camera, interior
203032	Close-out, monitor camera, exterior
453032	Camera bracket
452667	BRKT MONITOR MOUNT
453031	BRASS BRACKET SPRING
511044-04	PIGTAIL FOR ACTUATOR
203031	MOUNTING INNER REAR MONITOR
511592	Outlet, coax, wood grain



# 2003 360/365 XC DIESEL PUSHER

## SECTION III F through H

### FASTENERS

Rivets .....	III-1
Screws.....	III-3

### FLOOR COVERING

Carpet .....	III-4
Tile.....	III-4
Floor mats .....	III-4

### FURNITURE

Interior & Misc. doors .....	III-5
Mirrors.....	III-6
Drawer faces & boxes.....	III-7
Bed room .....	III-8
Bath .....	III-10
Galley .....	III-11
Lounge .....	III-13
Cab .....	III-14

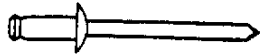
### HARDWARE

Exterior, main & screen door .....	III-15
Exterior compartments .....	III-18
Slide out .....	III-20
Awning .....	III-22
Interior .....	III-23
Window.....	III-27

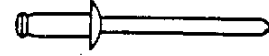


# 2003 360/365 XC DIESEL PUSHER

## \*FASTENERS



330126-02  
rivet, pop  
dia. 1/8 "  
grip range .126-.187  
stainless steel body  
stainless steel mandrel



330126-03  
rivet, pop  
dia. 1/8 "  
grip range .126-.250  
stainless steel body  
stainless steel mandrel



330136-04  
rivet, pop  
dia. 1/8 "  
grip range .313-.375  
stainless steel body  
stainless steel mandrel



330031-03  
rivet, pop  
dia. 3/16 "  
grip range .125-.250  
stainless steel body  
stainless steel mandrel



330031-03  
rivet, pop  
dia. 3/16 "  
grip range .126-.250  
stainless steel body  
steel mandrel



320108-01  
rivet, bulb tite, w/washer  
dia. 3/16 "  
grip range .050-.187  
aluminum body  
aluminum mandrel

\*Common bolts and screws readily available at local hardware outlets have not been listed.

# 2003 360/365 XC DIESEL PUSHER

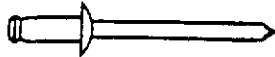
## \*FASTENERS



330139-02  
Dia. 1/4"  
grip range .350-.625  
stainless steel body  
stainless steel mandrel



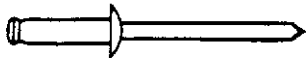
330139-01  
dia. 1/4"  
grip range .080-.375  
stainless steel body  
stainless steel mandrel



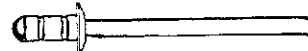
330127-03  
dia. 1/8"  
grip range .063-.125  
aluminum body  
aluminum mandrel



300101  
1/8" I.D.  
washer, aluminum



330127-05  
Dia. 1/8"  
grip range .251-.312  
aluminum body  
aluminum mandrel



330137  
dia. 1/8"  
grip range .039-.189  
aluminum body  
steel mandrel

\*Common bolts and screws available at local hardware outlets have not been listed.

# 2003 360/365 XC DIESEL PUSHER

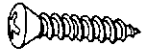
## \*FASTENERS



320122  
screw, pan head, Phillips  
black  
#4x1/8" (glove box tray)



320114-04  
screw wood oval head, Phillips  
antique brass  
#5x1/2"



320114-05  
screw wood, oval head, Phillips  
antique brass  
#5x5/8"



320115-06  
screw wood, flathead, Phillips  
stainless steel  
#6x1.00"



320124-06  
Screw, flathead, Phillips  
Stainless w/white head

320037-00      Screw, #6FH type A, SMS, Zinc finish, Mirror clip

Outlets have not been listed.

\*Common bolts and screws readily available at local hardware

## 2003 360/365 XC DIESEL PUSHER

### FLOOR COVERING

702793-10	*Carpet, Regal/Oatmeal, Roman Sands
700173-01	Carpet padding, 1/2"
381346	Floor mats
701538	Carpet, Velour gray, storage compartments
201709-02	Extrusion, trim molding, black, baggage compartment.
702903-03	Matt, tile support
702903-04	Epoxy grout
702903-05	Schluter strip
702903-12	GRANI RAPID LIQUID, grout additive
702903-11	GRANI RAPID POWDER WHT, tile
801206-014	MOLDING FL SHOE 43" ENDS VIS. S OAK
702903-01	Tile, Idaho Beige, 13" x 13"
702550-01	Mat, entrance
702549	Mat, entrance, w/Airstream logo
702812-02	Step, tread, round, black
702893	Step tread, smooth rubber

\*See sample chart provided to your sales department for more carpet and upholstery part numbers.



## 2003 360/365 XC DIESEL PUSHER

### FURNITURE DOORS-INTERIOR

800557-404	Door frame	9.00" x 34.00"
800557-414	Door frame	14.50" x 69.00"
800557-844	Door frame	10.50" x 20.50"
800557-234	Door frame	10.50" x 32.50"
800557-334	Door frame	11.50" x 19.00"
800557-114	Door frame	16.00" x 60.00"

800597-83Z	Door, raised panel	9.00" X 34.00"
800597-644	Door, raised panel	10.50" x 20.00"
800597-814	Door, raised panel	10.50" x 20.50"
800597-734	Door, raised panel	11.00" x 13.25"
800597-594	Door, raised panel	11.50" x 18.50"
800597-064	Door, raised panel	12.25" x 16.00"
800597-074	Door, raised panel	12.25" x 21.00"
800597-794	Door, raised panel	12.75" x 28.00"
800597-084	Door, raised panel	16.00" x 16.00"
800597-784	Door, raised panel	16.00" x 29.50"
800597-464	Door, raised panel	21.00" x 29.50"
800597-82Z	Door, raised panel	14.50" X 69.00"

### MISCELLANEOUS DOORS

801225-014	Door panel, refrigerator, upper door, Oak	
801225-034	Door panel, refrigerator, lower door, Oak	
961413-05	Door, slider, bath,	34.5" x 72.00"
961413-04	Door slider assembly,	25.5" x 72.00"
702416-02	Shower door	
800881-164	Door louvered, oak	12.75" x 34.75"
800881-144	Door, louvered oak	12.00" x 33.25"
800881-154	Door, louvered, oak	12.75" x 25.00"
381727-03	Door, wardrobe, mirrored, sliding, 365	36.25 x 46

# 2003 360/365 XC DIESEL PUSHER

## FURNITURE

### MIRRORS

372210-11	Mirror, beveled 4 sides	7.75" x 19.59"
372210-19	Mirror, beveled 4 sides	8.00" x 41.50"
372210-02	Mirror, beveled 4 sides	8.62" x 16.62"
372210-22	Mirror, beveled 4sides	7.62" x 39.12"
372210-23	Mirror, beveled 4sides	13.12" X 28.12"
372210-10	Mirror, beveled 4sides	7.62" X 29.62"
372211-04	Mirror, beveled 3 sides	11.00" x 16.75"
372211-02	Mirror, beveled 3 sides	14.00" x 16.75"
372211-01	Mirror, beveled 3 sides	15.25 "x 16.75"
372212-01	Mirror, beveled 2 sides	12.25" x 25.0"
371262-34	Mirror, safety glass	7.62" x 29.62"
371262-15	Mirror, safety glass	10.56" x 17.12"
371262-05	Mirror, safety glass	16.00" x 60.00"
372203-13	Mirror, safety glass	16.25" x 29.00"
372203-11	Mirror, polished edges	17.00" x 21.25"
372203-25	Mirror, polished edges	7.50" x 21.25"

## 2003 360/365 XC DIESEL PUSHER

### FURNITURE DRAWER FACES

800599-07Z	Drawer face	4.50" x 14.00"
800599-774	Drawer face	4.75" x 17.25"
800599-584	Drawer face	4.75" x 21.50"
800599-804	Drawer face	4.75" X 33.00"
800599-81Z	Drawer face	8.00" x 9.00"
800599-634	Drawer face	7.75" x 60.75"
800599-654	Drawer face	8.00" x 10.50"
800599-464	Drawer face	8.00" x 17.25"
800599-784	Drawer face	8.00" X 20.00"
800599-234	Drawer face	8.00" x 21.50"
800599-294	Drawer face	11.75" x 21.50"
800599-764	Drawer face	12.00" x 10.50"
800599-82Z	Drawer face	12.00" x 9.00"
800599-104	Drawer Face	12.00" x 15.00"
800599-794	Drawer face	12.00" X 20.00"
800599-724	Drawer face	12.50" x 25. "

### DRAWER BOXES

964906-18Z	Drawer box	2.75" x 11.00" x 11.00"
964906-02	Drawer box	2.75" x 19.50" x 18.00"
964906-01	Drawer box	6.00" X 18.00" X 2.75"
964906-16	Drawer box	2.75" X 15.25" X 14.00"
964907-10	Drawer box	6.00" x 8.50" x 14.00"
964907-11	Drawer box	6.00" X 15.25" X 14.00"
964907-05	Drawer box	18.00" X 18.00" X 6.00"
964907-02	Drawer box	8.00" x 18.00" x 6.00"
964907-03	Drawer box	6.00" x 19.50" x 18.00"
964909-01	Drawer box	10.00" x 8.50" x 18.00"
964909-02	Drawer box	10.00" x 19.50" x 18.00"
964909-04	Drawer box	18.00" X 18.00" X 10.00"
964909-10	Drawer box	13.00" X 18.00" X 10.00"
964909-06	Drawer box	23.12" x 18.00" x 10.00"
962821-62	Drawer box	11.75" X 22.00" X 5.00"
801262-05	Drawer box	10" x 96", rear wardrobe
964008	Lounge drawer box	
200980-01	Tray, silverware, almond	

## 2003 360/365 XC DIESEL PUSHER

### FURNITURE REAR BEDROOM

(Click on [Blue](#) High-lighted PN for drawing view)

<a href="#">965123</a>	Wardrobe, CS rear
965107-00Z	Faceframe, CS rear wardrobe
<a href="#">965320</a>	Wardrobe assembly, CS
965321-00Z	Face frame, CS wardrobe
965144-00Z	HEADER-WARDROBE
381727-01	W/R DOOR-MIRRORED SLIDING 46 X 55.5
453922	BRACKET, FORMED STOP
381228	GRABBER DOOR CATCH #C3-810
<a href="#">965371</a>	WARDROBE ASSY-S/O BDRM 365XC
965372	FACE FRAME-WARDROBE S/O 365XC
965373-01	STILE-WARDROBE LH SIDE S/O 365XC
965373-02	STILE-WARDROBE RH SIDE 365XC
965374	HEADER-WARDROBE S/O, 365XC
381727-03	Door, wardrobe, mirrored, sliding, 36.25 x 46
<a href="#">965124</a>	Wardrobe, RS rear
965108-00Z	Faceframe, RS rear wardrobe
<a href="#">965384</a>	LOCKER ASSY-REAR LINER 360 & 365XC
965376	FACE FRAME-REAR LINER LOCKER
<a href="#">965127</a>	Bed assembly
965236	Head board, 62.00

(Continued)

## 2003 360/365 XC DIESEL PUSHER

### FURNITURE REAR BEDROOM

203265	Engine cover base, fiberglass
203266	Lid, engine cover, fiberglass
381735	Latch, engine cover lid
381735-01	Flange gasket, engine cover latch
380509	Catch, holds lid open, Bargman
203277	Insulator, sound/heat, Engine cover
365263	Gasket, engine cover
380203	Piano hinge
801232	Close-out, TV, oak, 16.25" x 15.25"
964073	Base assembly, rear TV
965106-00Z	Face frame, bedroom TV cabinet, specify TV make
964556	SHELF TV SUPPORT RCA
<a href="#">965363</a>	TV CABINET ASSY-BEDROOM 365XC
965362	FACE FRAME-TV CABINET BED. 365XC
965262-004	SHELF FRONT-TV CAB.
114909-01	BRACKET TV MOUNT BEDROOM RH
114909-02	BRACKET TV MOUNT BEDROOM LH
<a href="#">965151</a>	Magazine rack assembly, bedroom
965150-004	FRAME-MAGAZINE. RACK BEDROOM

## 2003 360/365 XC DIESEL PUSHER

### FURNITURE

#### \*BATH

201999	Shower stall, almond
201902	Ceiling liner, shower
381631-01	Sky light, plastic, neo angle, 22"x22"
203154-01	Inner dome, sky light, neo angle
<a href="#">965121-01</a>	Laundry/TV cabinet, 360 only
965105-00Z	Face frame, TV/laundry cabinet
965149-00Z	FACER-LAUNDRY CAB. SHELF
965387	Facer, laundry cabinet, 365 only
<a href="#">965119</a>	Lavy cabinet assembly, 360 only
965103-004	Face frame, lavy
965153-01	Lavy top, Corian
<a href="#">965385</a>	Lavy cabinet assembly, 365 only
965377	Face frame, lavy
965352	Top assembly, Corian lavy
<a href="#">965125</a>	Medicine cabinet, sidewall, 360 ONLY
965109-00Z	Face frame, sidewall medicine cabinet
<a href="#">965126</a>	Medicine cabinet, divider wall, 360 ONLY
965110-00Z	Face frame, divider wall medicine cabinet
<a href="#">965383</a>	Medicine cabinet assembly, 365 only
965378	Face frame medicine cabinet
703053	Border, wall paper trim
703106	Border trim, Golden Oak, Mystic Mint, Mandalay Blue

\*Bath fixtures may be found in the hardware section-  
if connected to or drains water look in plumbing.

## 2003 360/365 XC DIESEL PUSHER

### FURNITURE GALLEY AREA

<a href="#">965240-02</a>	Dinette seat base, RH
964496	Dinette back, RH
964498	Dinette cushion support, RH, 37.63"
964334-02	Flex spring seat, 21.63" x 38.0"
965240-01	Dinette seat base, LH
964497	Dinette back, LH
964499	Dinette cushion support, LH 37.63"
964334-02	Flex spring seat, 21.63" x 38.00"
703125-02	TOP-DINETTE SEAT, URETHANE BUCKSKIN
<a href="#">965238-01</a>	Dinette table, fixed
965187-004	Table top, Nomar finish, 26.0" x 38.0"
965230-004	Cover, dinette bracket, bottom
965231-00Z	Face frame, dinette wall
922177-03	Leg, hardwood, 30.50
453844	BRACKET-DINETTE TOP SUPPORT
453845	BRACKET-DINETTE-WALL MOUNT XC360
453846	DINETTE BRACKET ARM. XC360
453847	BRACKET-DINETTE, CATCH PLATE
381743-03	SPRING, GAS 45# SL13-45-1
381084	BALL, STUD
381065-10	10" CABLE SUPPORT
<a href="#">965118-02</a>	Roof locker, dinette aft
965189-02Z	Face frame, dinette roof locker, aft
<a href="#">965118-01</a>	Roof locker, dinette, forward
965189-01Z	Face frame, dinette roof locker, forward
<a href="#">965116</a>	Roof locker, dinette, center
965100-00Z	Face frame, dinette roof locker, center

(Continued)

## 2003 360/365 XC DIESEL PUSHER

### FURNITURE GALLEY AREA

964216	Microwave cabinet
964417	Face frame, microwave cabinet
<a href="#">965140</a>	Refrigerator cabinet w/pantry
964642	Face frame, refrigerator cabinet w/pantry
381551-01	Pantry rack
381551-02	Wire basket
<a href="#">965113</a>	Galley assembly, sink section
965097-00Z	Face frame, sink section
<a href="#">965111</a>	Galley assembly, cook top section
965095-00Z	Face frame, aft galley assembly
965154-01	Galley top, Corian
601633-06	Sink, porcelain, almond
964411-01	Sink cover, RH
965275-01	Sink cover, LH
964383-01	Range covers, Corian
600968	BASKET STRAINER
381635	SINK CLIP-UNDER MOUNT-CORIAN
381491	TRASH CAN - ROLL OUT
<a href="#">965117</a>	Roof locker, galley
965101-00Z	Face frame, galley roof locker
<a href="#">963990</a>	Magazine rack
965486-00Z	Spice cabinet assembly
965485-00Z	Face frame, spice cabinet
<a href="#">965112</a>	Galley assy. option range w/oven
965096-00Z	Face frame, Galley assy.



## 2003 360/365 XC DIESEL PUSHER

### FURNITURE LOUNGE AREA

<a href="#">965114</a>	Roof locker, lounge, RS
965098-00Z	Face frame, lounge roof locker
<a href="#">965115</a>	Roof locker, lounge, CS
965099-00Z	Face frame, CS lounge roof locker
703088-01	Recliner, Phase III
703143-70	Sofa, Villa 74", leather "1000" Style
703144-70	Sofa, Villa 74", leather "1000" Style, CSA
<a href="#">965191</a>	End table
964416-00Z	Face frame, end table
965188-004	Top, end table
964227	Letter rack

\*Changing the-(dash) number to:

350	= Georgia Peach
320	= Golden Oak
470	= Mandalay Blue
460	= Mystic Mint

## 2003 360/365 XC DIESEL PUSHER

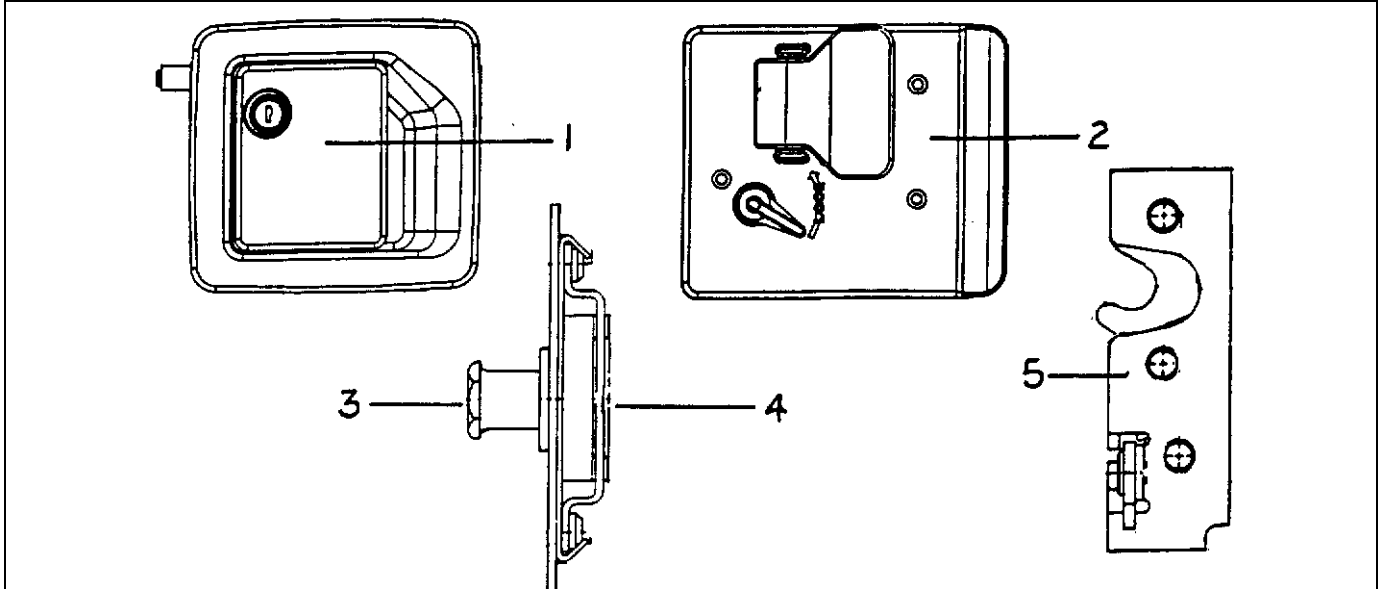
### FURNITURE/TRIM CAB AREA

964547-03	Armrest, CS
203223	Cup holder, black, 3.13"
203222	Cab side panel, CS
964546-03	Armrest, RS
702192-08	Map pocket, either side
203194	Cab, side panel, RS
<a href="#">965199</a>	Roof locker, front (above windshield)
965061-00Z	Face frame, front roof locker
371374-01	Glass, tinted, 9.88" x 21.56"
371375-02	Glass tinted, 8.38" x 17.81"
<a href="#">965415</a>	TV cabinet assembly
965196-00Z	Face frame TV cabinet, specify TV make
<a href="#">965148</a>	Cabinet assembly cab area
965147-00Z	Face frame, cab cabinet
<a href="#">965205</a>	Side cabinet, cab, RS
965203-00Z	Face frame, RS cab cabinet
702988-01	Wall weave, 1/8" Hyroglyphics Runes
<a href="#">965204</a>	Side cabinet, cab, CS
965202-00Z	Face frame, CS cab cabinet
702897-05	Driver seat, power
702898-02	Passenger seat, non-power
511503	Kit, Vibrasonic seat
381697	Step cover assembly
381756-01	Sun visor, front windshield, L. H.
381756-02	Sun visor, front windshield, R.H.
203368-01	Cover, A-post, RS
203368-02	Cover, A-post, CS
203040	Cover, center windshield post

# 2003 360/365 XC DIESEL PUSHER

## HARDWARE EXTERIOR-MAIN/SCREEN DOOR

### TRI-MARK main door lock



- |              |                                 |
|--------------|---------------------------------|
| 1) 381521-01 | outside lock housing            |
| 2) 381521-02 | inside lock plate               |
| 3) 381284    | Striker bolt                    |
| 4) 381521-04 | Caged nut                       |
| 5) 381521-03 | Rotary latch                    |
| 381521-05    | Screws, inside lock plate       |
| 203002       | Cover, inner door lock, plastic |

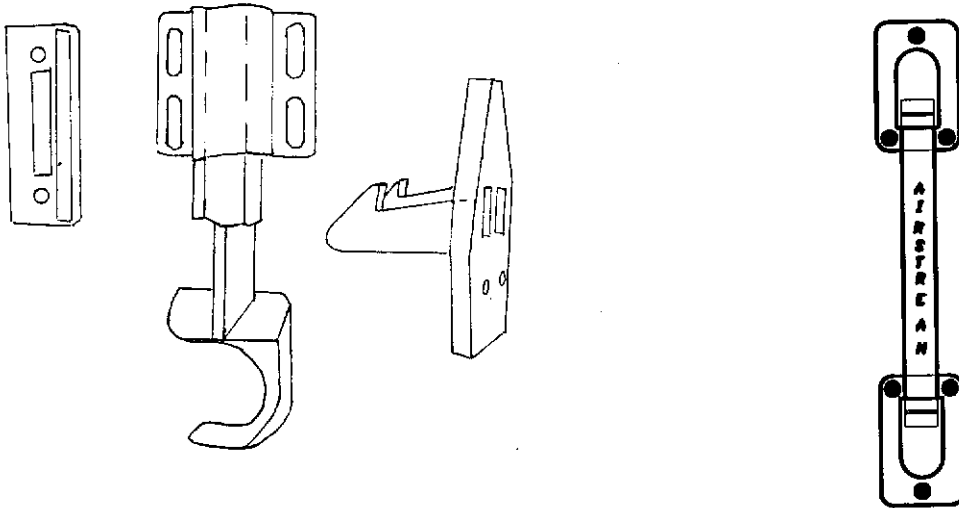
### Dead bolt-Tri-mark

- |           |                                    |
|-----------|------------------------------------|
| 510802-01 | Actuator, door lock, 5-wire        |
| 381323-01 | Dead bolt assembly                 |
| 452030    | Bolt, Tri-mark dead bolt           |
| 381326    | Striker, 10007-w/Trimark dead bolt |
| 345321-12 | Screw, #8-32,flat head, black      |
| 200772    | Pan, plastic, dead bolt, interior  |

# 2003 360/365 XC DIESEL PUSHER

## HARDWARE EXTERIOR-MAIN/SCREEN DOOR

- 381334 Hinge leaf, jamb, main door
- 381336 Hinge leaf, door, main
- 381377 Hinge leaf, screen door
- 385599-075 Bearing, sleeve, main door hinge
- 300118-01 Washer, nylon, main door hinge
- 310024 Hinge pin, .250" x 6.0"
  
- 381632 Prop, gas spring, 30#(bottom of main door)
- 381634 Bracket, prop, LH curve
- 381633 Bracket, prop, 2"
- 381632-01 Safety clip, end fitting
- 203156 Cover, black, bottom main door prop



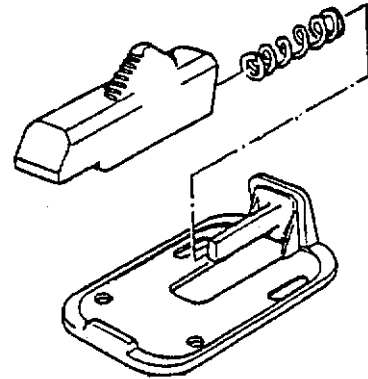
381454 Latch, screen door,  
Bullet

381696 Grab handle  
embossed "AIRSTREAM"

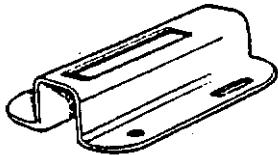
2003 360/365 XC DIESEL PUSHER



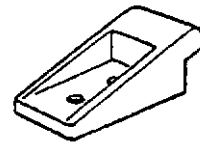
380004 Handle, screen door



380291 Main door holdback  
Used w/housing #380290



380290 Latch housing,  
main door hold back



201056 Catch, main door  
hold back

## 2003 360/365 XC DIESEL PUSHER

### HARDWARE EXTERIOR-BAGGAGE COMPARTMENT

381569-01	Prop, spring, gas, 50#
381569-02	Prop, spring, gas, 60#
381569-03	Prop, spring, gas, 40#
381569-04	Prop, spring, gas, 20#
381262	Bracket, prop w/ball, mounts on jamb
914163	Bracket, door prop, mounts on door
453038	Angle prop bracket
453037	Plate, prop bracket
381565-01	Handle assembly, locking w/collar
381565-05	Key TM 904
381565-02	Handle assembly, non locking
381565-04	Plunger bolt assembly
381484	Strike, compartment door
381456	Cable, coated
381455	Loop sleeve, crimp on cable clamp
381523-01	Hinge, baggage door
365232	Seal, baggage door
203122	Cover, compartment latch, inside

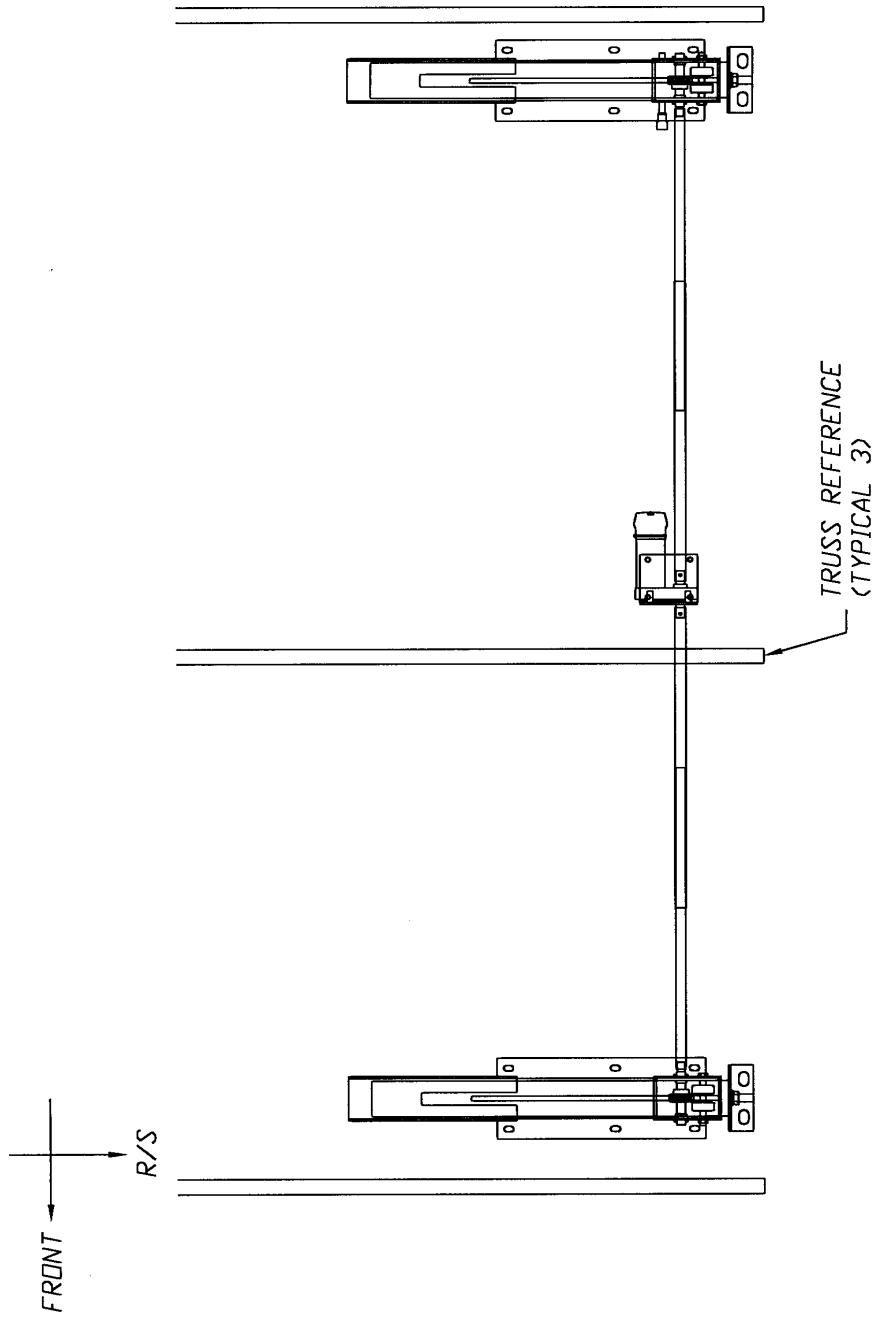
### EXTERIOR-REAR DOOR

381434	Hinge, stainless, 3" x 3"
381227-01	Latch, vise action, curved pawl
385587	Cap, hood bumper

### GENERATOR DOOR

381702-03	Latch, double rotary, RH, straight pawl, generator slide
381702-02	Latch, double rotary, LH, straight pawl, generator slide
381702-01	Handle, paddle latch, non-locking w/rods

# 2003 360/365 XC DIESEL PUSHER

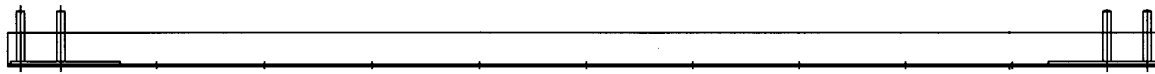
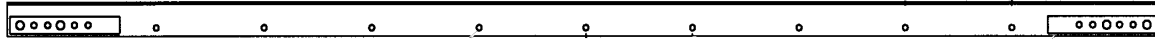


VENDOR: POWER GEAR  
VENDOR PART NUMBER: 521649

SHAFT KIT (521247)  
(2) 30" - .813 TUBES  
(2) 30" - 1.00 TUBES  
MOTOR MOUNT BRACKET - 521713

# 2003 360/365 XC DIESEL PUSHER

## HARDWARE EXTERIOR-SLIDE OUT ROOM, Galley



## 915595 ANGLE, FLOOR MTG., 360 XC SLIDE-OUT

### INTERIOR-SLIDE OUT ROOM

- |           |                                      |
|-----------|--------------------------------------|
| 381592-01 | Bar, travel lock, 10.25", adjustable |
| 381623    | Roller, floor slide out              |
| 381623    | ROLLER FLOOR SLIDE-OUT               |
| 801210    | PANEL, ROLLER SPACER, SLIDE          |
| 400952    | Slide out mechanism, Wardrobe        |
| 453938    | Close out Wardrobe slide mechanism   |



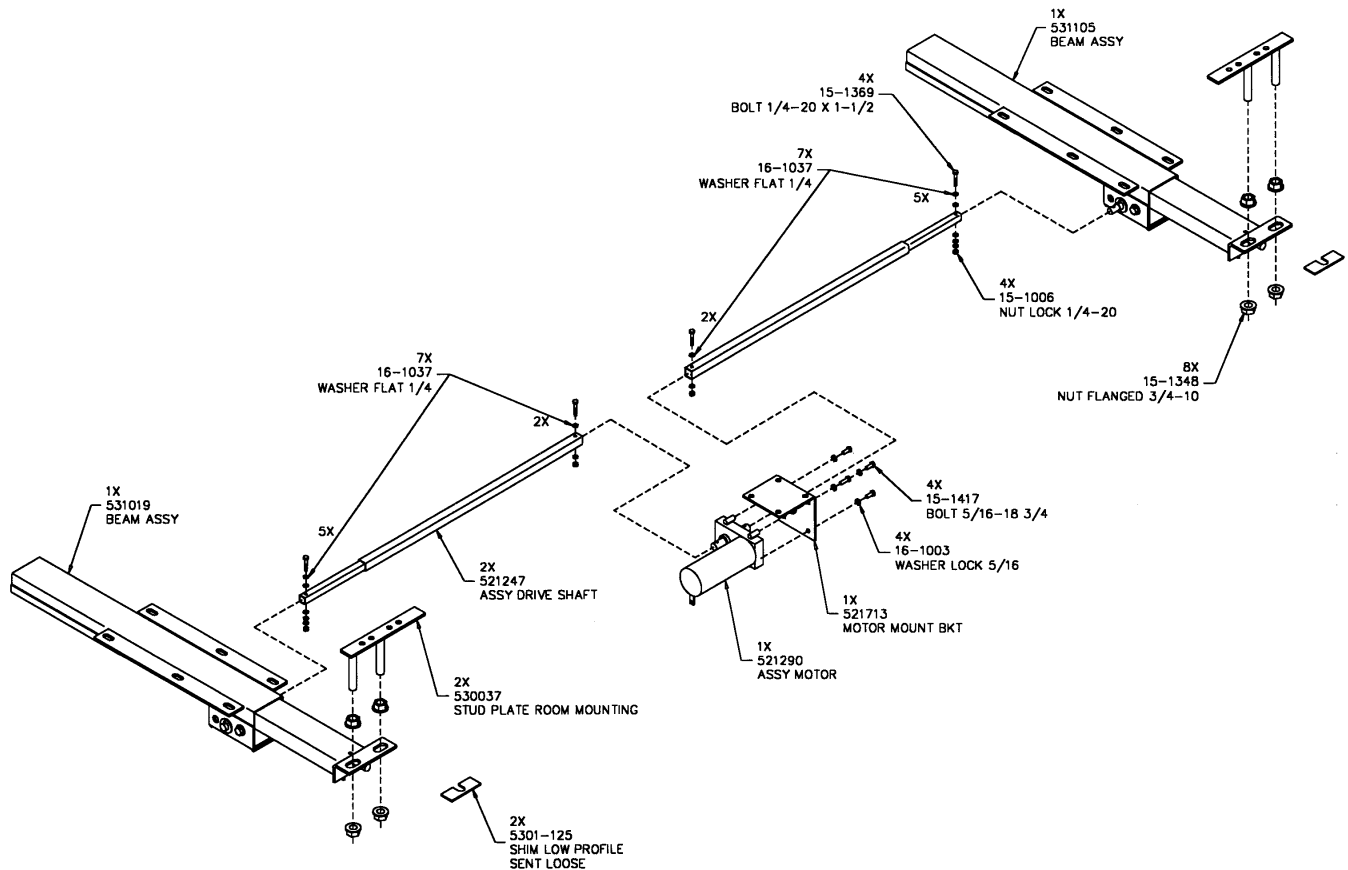
# 2003 360/365 XC DIESEL PUSHER

## HARDWARE

Power gear slide out

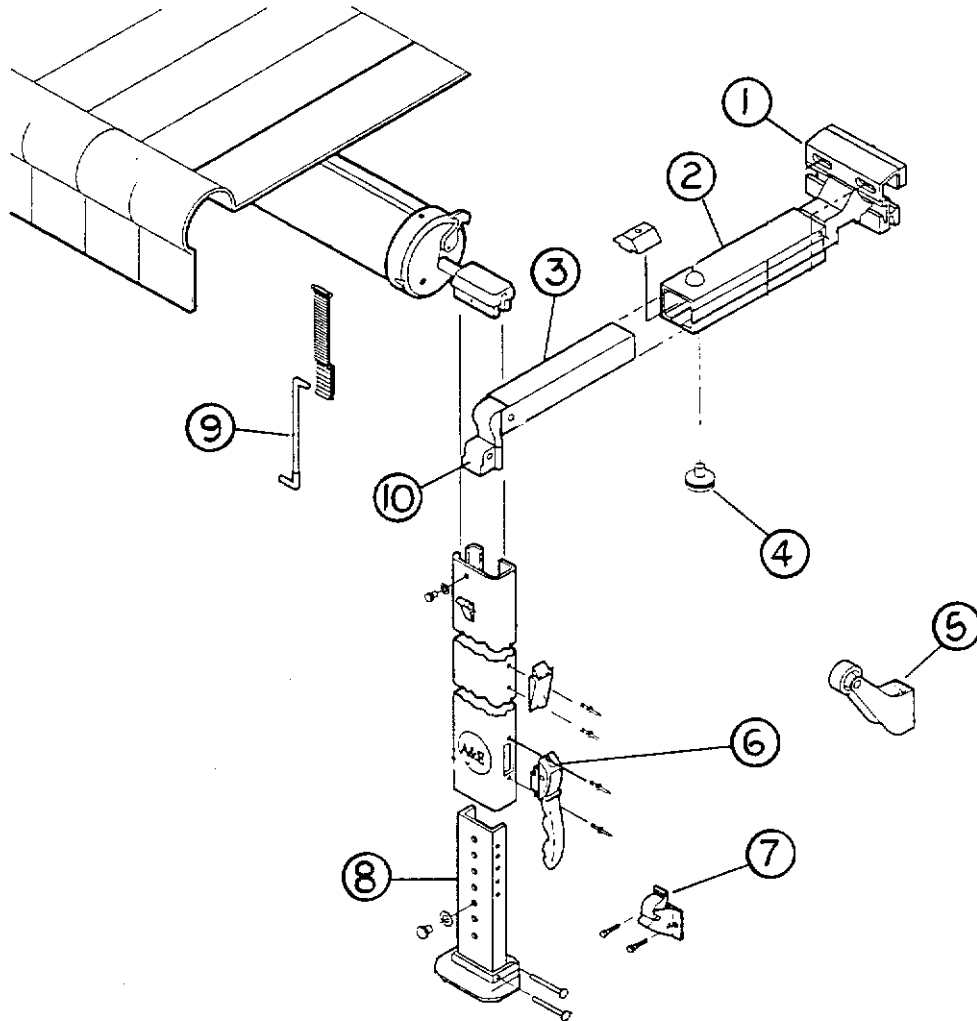
FOR REFERENCE ONLY. AIRSTREAM DOES NOT STOCK POWER GEAR PARTS

POWER GEAR CUSTOMER SERVICE AT 800-334-4712 WILL HELP FOR RETAIL OR WARRANTY REPLACEMENT PARTS



# 2003 360/365 XC DIESEL PUSHER

## HARDWARE



- |                |                                      |
|----------------|--------------------------------------|
| 1) 702679-104  | Bracket top, A&E awning              |
| 2) 702679-103  | Rafter, main, A&E awning             |
| 3) 702679-105  | Secondary rafter, A&E awning         |
| 4) 702679-106  | Knob, adjustment, 1 7/8" A&E awning  |
| 5) 702679-109  | Door roller, A&E awning              |
| 6) 702679-111  | Lift handle, A&E awning              |
| 7) 702679-108  | Bracket, bottom mounting, A&E awning |
| 8) 702679-107  | Arm, adjustable, A&E awning          |
| 9) 702679-102  | E-Z pull rod, A&E awning             |
| 10) 702679-110 | Slider assembly, A&E awning          |

382557                      Tape clear, 3" wide

# 2003 360/365 XC DIESEL PUSHER

## HARDWARE INTERIOR

- 381526-01 Drawer slide, 950RV, 14"
- 381526-03 Drawer slide, 950RV, 18"
- 381526-05 Drawer slide, 700RV, 22"
- 381526-06 Rear bracket, adjustable, drawer slide

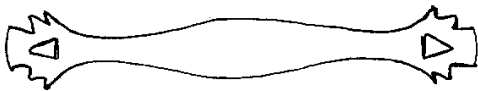
201669 Plastic extrusion, wall to roof interior

381443-01 Sliding door set, includes carriers, top plate  
And track

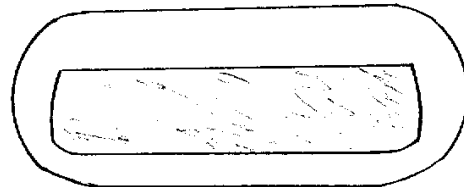
\*381385 Dual lock #400

\*381386 Dual lock #170

\*These two parts work similar to Velcro but have interlocking knobs rather than hooks and loops.



381599 Pull handle,  
drawer/door, antique brass



381576 Pull handle,  
brass



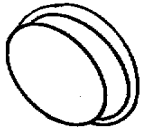
381109 Bunk latch, pantry



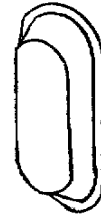
385940 Mirror pull, Brass

2003 360/365 XC DIESEL PUSHER

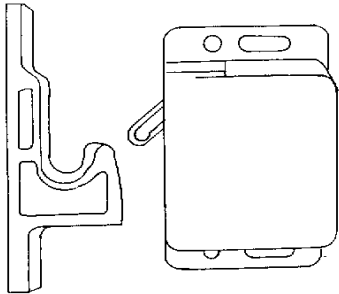
HARDWARE  
INTERIOR



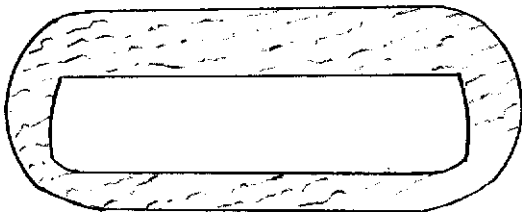
201427 Finger pull,  
light brown



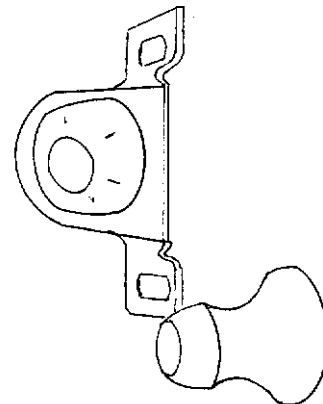
381603 Pull, three fingers  
Antique brass



381228 Grabber door latch  
W/catch, 10 lb. Rating  
381228-01 Gabber door latch  
W/catch, 3 lb. rating

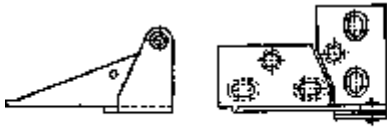


381175 Pull handle, wood



381074 Bulldog catch

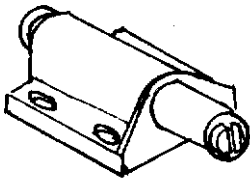
2003 360/365 XC DIESEL PUSHER



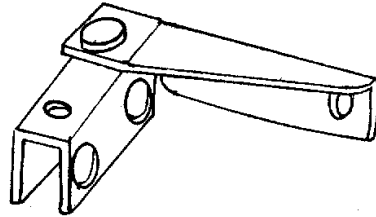
385935 Hinge, pivot, brass  
For bath mirror



381754 Clip, mirror  
retainer, metal

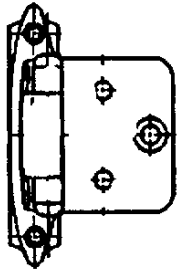


381653 Latch, single touch,  
Black

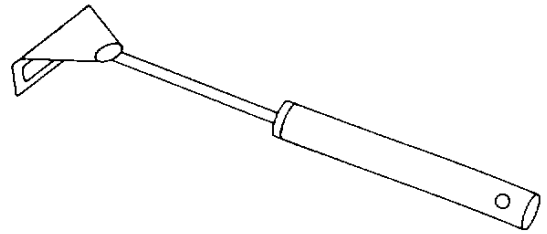


381654 Hinge, non-bore glass  
Black

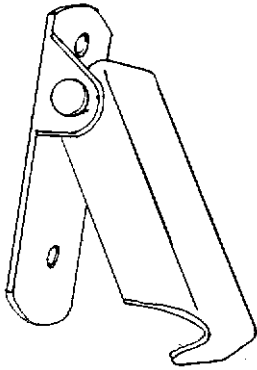
2003 360/365 XC DIESEL PUSHER



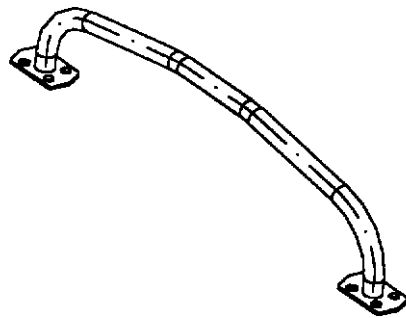
381601 Hinge, Antique brass



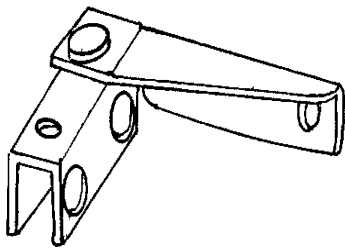
381147 Door support  
spring loaded



380509 Catch, holds engine  
Cover open, Bargman



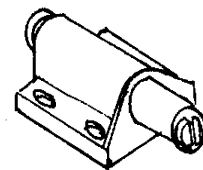
381736-02 Handle, dash accent  
381736-01 Handle, wall assist



381654 Hinge, non bore  
glass door, black



381707 Strike, glass door,  
black



381653 Latch, single  
touch, black

## 2003 360/365 XC DIESEL PUSHER

### Interior/ Window

381527	Speedy shelf strips
380045	Clothes rod
200975-04	Conduit, flexible, black plastic (covers rod)
380046	Clothes rod mounting bracket
381298	"J" bracket, center clothes rod support
381754	Retainer clip, cabinet door mirrors
381263	Bracket, prop w/ball, straight (rear bed top)
381262	Bracket, prop w/ball, angled
381549	Gas spring, SPD-GS-2300-150
385940	Lift handle, brass, rear bed top
381688	Drawer latch, flexible black T handle
381626-02	Towel bar, chrome and brass
380248	Soap holder, chrome
380034	Toilet paper holder, chrome
380017	Holder, toothbrush and tumbler
381735	Latch, engine cover lid, interior
381735-01	Flange gasket for engine cover latch
203277	Insulator, sound, Bed liner
203277	Insulator, sound/heat, Engine cover

### WINDOW, SE-GI CO.

371366-100	Weep hole cover, SE-GI window
371366-101	Sweep latch, SE-GI window





# 2003 360/365 XC DIESEL PUSHER

## SECTION IV L through Z

LABELS and TAGS .....	IV-1
OPTIONS .....	IV-3
PLUMBING	
LPG.....	IV-5
Fresh water.....	IV-6
Includes: Tank, fittings, and faucets	
Drain .....	IV-12
Tanks, sinks, shower	
Fittings.....	IV-14
Toilet .....	IV-18
Utility compartment.....	IV-19
Black Tank Flush System.....	IV-19
SAFETY EQUIPMENT .....	IV-20
SEALS/SEALER/GASKETS	
Gaskets.....	IV-21
Window gaskets.....	IV-22
Sealer .....	IV-23
Adhesives, paint, under coat, stain .....	IV-24
UPHOLSTERY/FOAM/MATTRESS	
Mattress .....	IV-25
Sofa.....	IV-25
Chair.....	IV-25
Bed spread .....	IV-25
Pillow kits .....	IV-26
Dinette seat .....	IV-28
VENTS/FANS/SKY LIGHTS .....	IV-29
WOOD/INTERIOR TRIM .....	IV-30



## 2003 360/365 XC DIESEL PUSHER

### LABELS AND TAGS

385103	Plate, RVIA
385531	FMVSS certification label
385815	Name plate, motorhome hitch rating
385095	Tag registry #11999
385465	Label, exit warning (English)
386123	Label, warning label/cooking appliance
386121	Label, LP gas warning label (odor)
385788	Warning label, pilot light/refuel
385101	Tag, auxiliary tank dump valve handle
385099	Tag, black tank dump valve handle
385063	Label, drain cap
385062	Decal, 110-125 voltage AC
385309	Decal, fuel fill
386118	LP gas warning/fill label
385141	Tag, seat, clear w/black letters
385518	Label, dimension and clearance
385193	Label, 12Volt distribution inside
385560	Air conditioner rating label
385561	Generator rating label
385565	Label, holding tank flushing
385805-01	A/C priority switch label-front
385805-02	A/C priority switch label-rear
385812	Label, Calif. hazardous substance
386120	Label, smoke detector
385612	Label, parking brake warning
385829	Decal, fuse and relay
385828	Decal, fuse panel warning
385851	Label, cellular phone
386095	Label, Towing warning
386096	Label, Warning Slippery When Wet, (smooth roof)

(Continued)

## 2003 360/365 XC DIESEL PUSHER

### LABELS AND TAGS

385933	Label, name set relay
385941	Label, waste water holding
385942	Label, sewage holding tank
385943	Label, "cap must be in place"
385947	Label, 10-amp fuse maximum
385098	Label, seat occupancy
385608	Label, sewer hose
385829	Decal, fuse and relay
385828	Decal, fuse panel
385931-02	Decal sheet, utility compartment
385966	Label, inverter circuit
385988	Decal, water heater
385946	Label, warning, slide out operation
381741	Key fob instructional plate
385987	Label, 5 amp maximum
385800	LABEL, CAUTION, HOT WATER DISPEN.
385835	LABEL CARBURETOR WARNING
386012	LABEL, WARNING - WATER HEATER
386039	LABEL AIRSTREAM ALIGNMENT
386040	LABEL AIRSTREAM FLEXIBLE DWV CONN
386038	LABEL CSA HOLDING TANKS FRESH WATER
386057	LABEL WASHER/DRYER VENT 3X3
386059	DECAL, ENGINE BLOCK HEATER SWITCH
386082	LABEL THOR, 5.25" X .75'
386058	DECAL LAND YACHT XC 7-11/16 X 9/16
386034	DECAL-AIRSTREAM 7.5", #906

## 2003 360/365 XC DIESEL PUSHER

### OPTIONS

690413	VCR, Sony Hi-Fi, SLV-N51
144925	Bracket mounting, VCR
203153-01	Skylight, 22" x 22" clear
203152-03	Skylight trim out 22" x 22" x 4"
702804-02	Shade, pleated, 20.25" x 21.00"
690424	Washer/dryer, combo, vented
965042-02	Laundry cabinet assembly
965040-00Z	Face frame, TV/Laundry cabinet
381564	Vent w/wall thermostat, 2000 TRS
690425-03	Refrigerator, 10CF, 2-way, RH, NDR1062, w/ice
801278-044	Refrigerator door insert, 54.88" x 16.69"
801278-034	Refrigerator door insert, 54.88" x 10.38"
690415	Kit, dairy, meat and ice cube tray
702679-xx	Awning, front door, 4' (see awnings page II-13)
702679-27	Hardware, awning, front bus door
702679-20	Air foil kit, 4' Dometic awning
965238-02	Table assembly, freestanding dinette, top same as STD.
703009-03	Chair, dinette, folding, oak
690323-29	Air conditioner, 1500 Briskair, w/heat pump
690323-26	Electronic kit, Briskair
690380-02	Heat strip
690380-04	Thermostat
690380-08	Remote sensor
690323-12	Cover, return air, Polar White

Continued

## 2003 360/365 XC DIESEL PUSHER

### OPTIONS

702967-02	Buddy seat, passenger w/footrest & Vibrasonic
702897-07	Seat, passenger, w/footrest & Vibrasonic
511503	Kit, Vibrasonic seat
703047	Recliner, Avant glide w/ottoman
511511-01	Mirror, cab, exterior, chrome, RS
511511-02	Mirror cab, exterior, chrome, CS
690396-05	Range w/oven, Magic Chef
110723	Rear mud flap, 16" x 93"
453919-01	Bracket, hanger, rear mud flap, RS
453919-02	Bracket, hanger rear mud flap, CS
511497	Search light
703117	Love seat, 52", Villa Oyster Bay
703137-70	Sofa, Villa 74" leather, w/ 70 <sup>TH</sup> anniversary logo
703138-01	Sofa, 1000 style w/armrest
703137-01	Sofa, 1000 style w/armrest, w/armrest & lock, CSA
511572-04	Charge controller, Solar panel
511572-06	Monitor panel, charge controller, solar panel
511142-01	Solar panel, 53 watt
511142-02	Mounting bracket (4), solar panel

## 2003 360/365 XC DIESEL PUSHER

### PLUMBING LPG

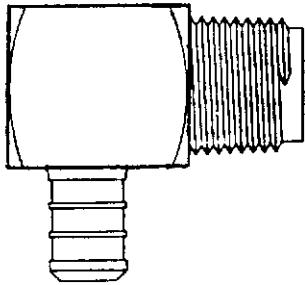
601500	LP tank, 105lbs. w/90ohm sender
511229	Sending unit, 90 ohm, Snap-on
601277	Regulator, LP gas, 2-stage, Marshall Brass
201649	Access cover, LP regulator
601673-01	LP hose, 3/8" x 48", low pressure.
601527-02	LP hose, high-pressure liquid, 51in.
601769	Tee, brass 1/2" x 3/8FM x 3/8FM
600004	Tubing, copper, 5/8in.
600008	Tubing, copper, 3/8in.
600435	Flare nuts, forged, 3/8in.
203135	Cover, two-stage regulator

# 2003 360/365 XC DIESEL PUSHER

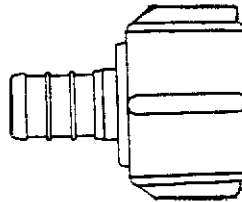
## PLUMBING FRESH WATER

601756	Tank, fresh water, 71 gallon
600139	Check valve, brass
601791-01	Water pump, Aquatec
601791-02	Fittings, slip-in, water pump
600668	Filter, pre-water pump
601766	Water fill, gravity type, freshwater
601763	Valve, water heater by-pass
601764	City water hook-up/tank fill

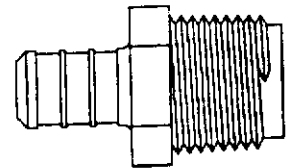
## FITTINGS



601698-04  
Elbow, 1/2" barb  
x 1/2" MPT



601698-03  
Coupler, 1/2" barb  
x 1/2" FPT



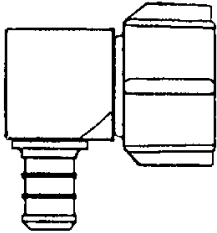
601698-02  
Coupler, 1/2" barb  
x 1/2" MPT

(Continued)

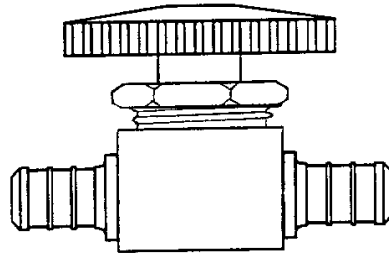


# 2003 360/365 XC DIESEL PUSHER

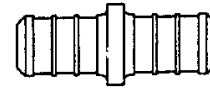
## PLUMBING FRESH WATER-FITTINGS



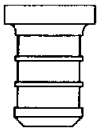
601698-05  
Elbow 1/2" barb x  
1/2" FPT



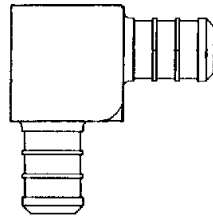
601698-22  
Shut-off, 1/2" barb x  
1/2" barb



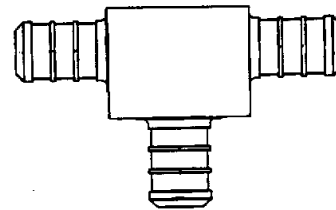
601698-08  
Coupler  
1/2" x 1/2" barb



601698-09  
Plug, 1/2" barb



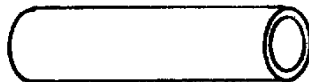
601698-10  
Elbow 1/2" barb x  
1/2" barb



601698-11  
Tee, 1/2" x 1/2" x  
1/2" barb



601698-15  
Crimp ring, 1/2"  
E-Pex, 1/2" (black)



601698-01  
E-Pex tube, 1/2"

(Continued)

# 2003 360/365 XC DIESEL PUSHER

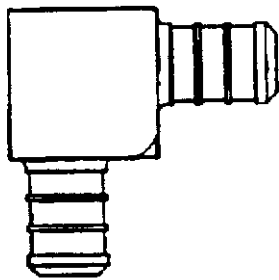
## PLUMBING FRESH WATER-FITTINGS



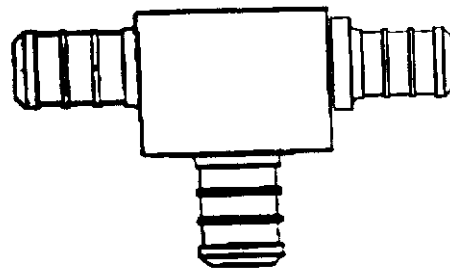
601698-16  
Crimp ring, 3/4"  
E-Pex, black



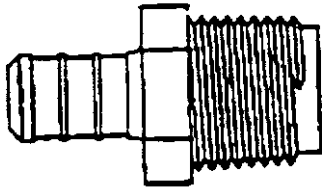
601698-12  
E-Pex tube, 3/4"



601698-13  
Elbow, 3/4" x 3/4" barb



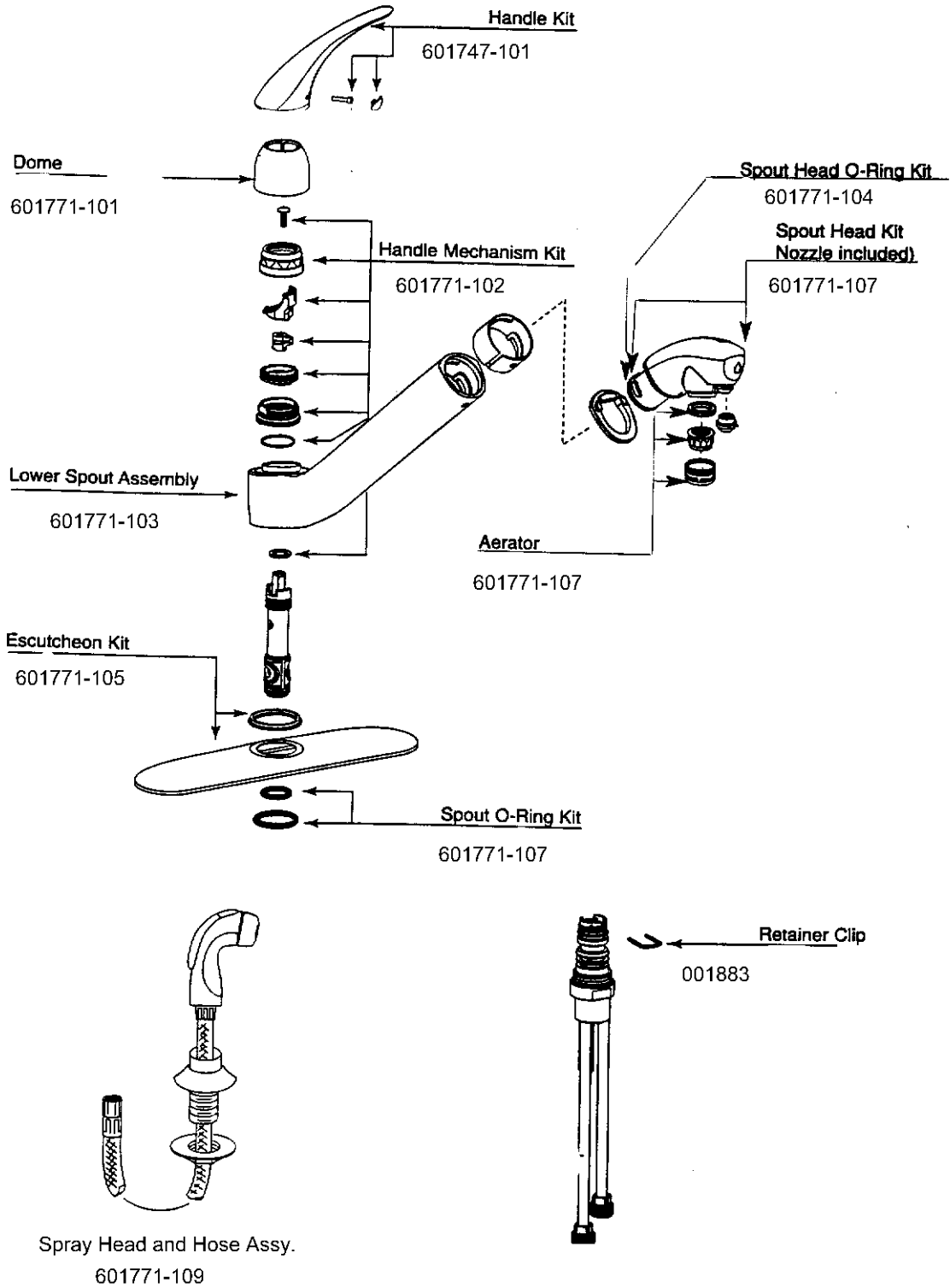
601698-18  
Tee, 3/4" x 1/2" x 3/4" barb



601698-19 Coupler, 3/4" barb x 3/4" MPT

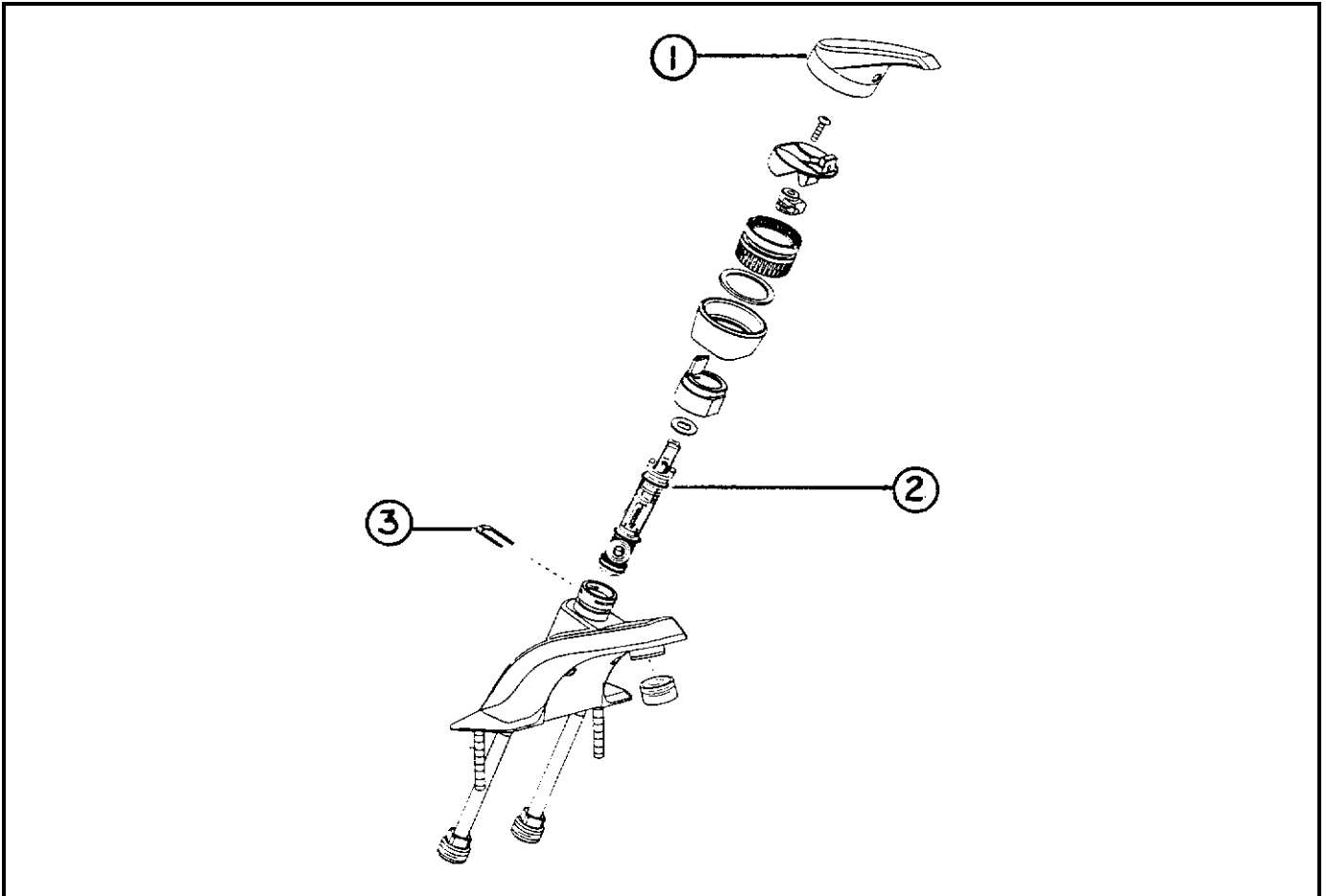
# 2003 360/365 XC DIESEL PUSHER

## PLUMBING 601771 Moen Pure Touch Classic



# 2003 360/365 XC DIESEL PUSHER

## PLUMBING FRESH WATER-FAUCETS

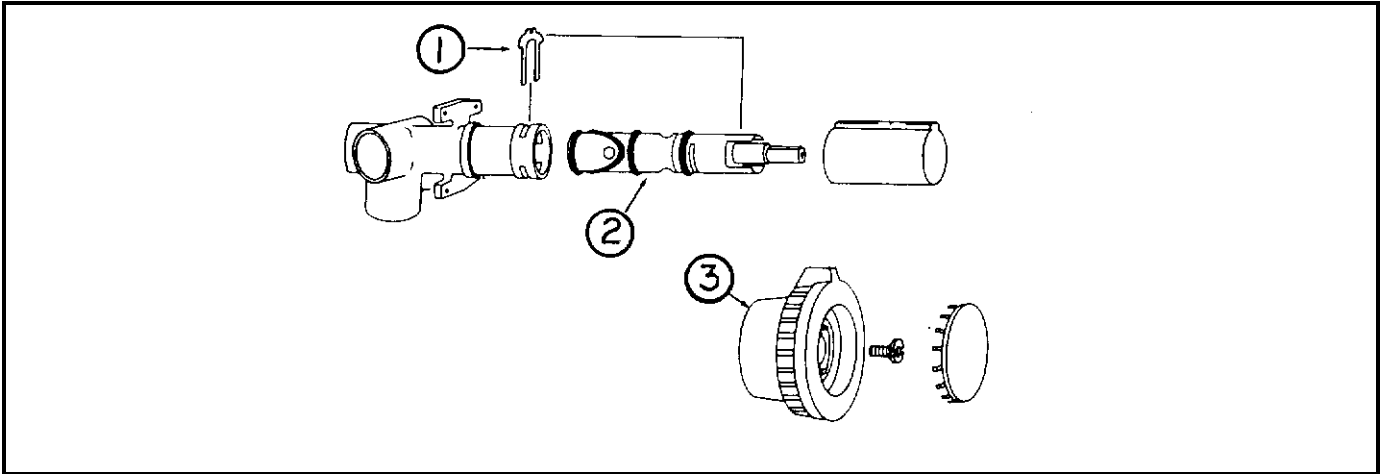


690390-02      Faucet, lavatory, Moen, brass/chrome

- 1) 690390-100      Lever handle
- 2) 601579-105      Cartridge
- 3) 601579-104      Retainer clip

# 2003 360/365 XC DIESEL PUSHER

## PLUMBING FRESH WATER-FAUCETS



601420-02      Faucet, shower

- 1) 000883      Retainer clip
- 2) 601420-100      Cartridge
- 3) 001041      Handle

- 601358-100      Shower head, chrome
- 600330      Shower hose, chrome
- 600332      Vacuum breaker, chrome

## 2003 360/365 XC DIESEL PUSHER

### PLUMBING DRAIN SYSTEM

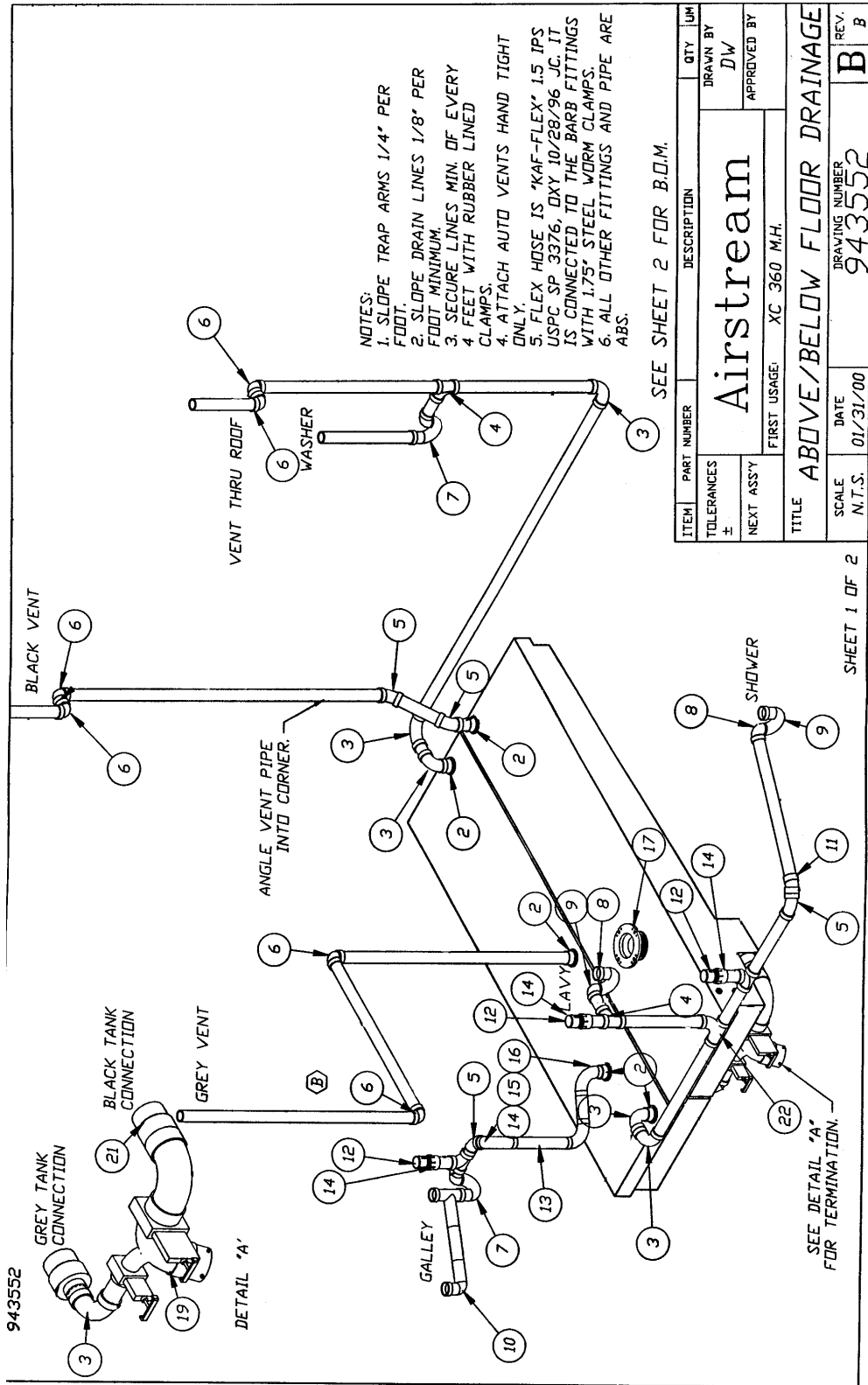
601755-02	Holding tank, gray
601790	Holding tank, black
201999	Shower stall, almond
601362-02	Drain, polished chrome
600594	Strainer w/rubber stopper
203037	Shower/tub, fiberglass-35 non slide
601362-02	Drain, polished chrome
600594	Strainer w/rubber stopper
203286-01	Lavy bowl, Karran, 360 XC
601767-02	Tail piece assy, chrome
601663-06	Sink, galley, porcelain, Almond
600968	Sink strainer
964233	Plumbing support, galley slide out

# 2003 360/365 XC DIESEL PUSHER

## NOTES

# 2003 360/365 XC DIESEL PUSHER

## PLUMBING



360 XC Drainage lay out



## 2003 360/365 XC DIESEL PUSHER

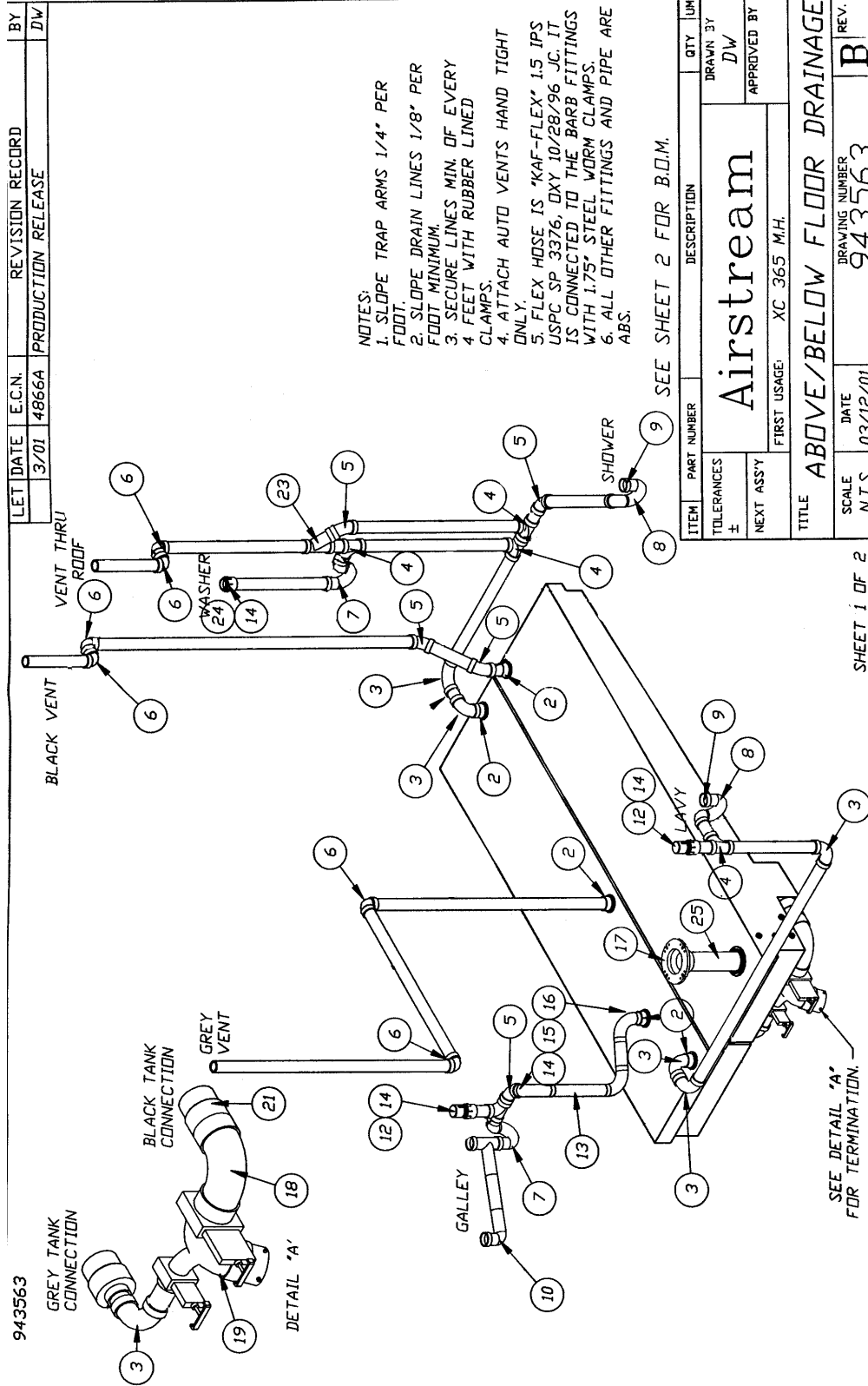
### PLUMBING DRAIN SYSTEM 360XC

- |                |                                       |
|----------------|---------------------------------------|
| 1) 601160-02   | Pipe, ABS DVW 1½"                     |
| 2) 601676      | Adapter, threaded male 1½" inch, CSA  |
| 3) 600035      | ELL ABS, long sweep 1½"               |
| 4) 600156      | 1½" inch, TEE sanitary                |
| 5) 600030      | 1½" inch ELL ABS 45 degrees long-turn |
| 6) 600033      | Elbow, vent 1.50,90 degrees           |
| 7) 600144      | P-Trap, ABS 1½" inch                  |
| 8) 600622      | P-trap, 1½" w/slip nut and washer     |
| 9) 600822      | Adapter, P-trap # 60262               |
| 10) 600378     | Continuous waste 1½" inch             |
| 11) 600116     | 22.5" ELL 1½"                         |
| 12) 600538     | Vent, V-200 Automatic                 |
| 13) 601700     | Hose, drain 1½" inch                  |
| 14) 600308     | Adapter, ABS female                   |
| 15) 601699     | Adapter, 1½" MPT x 1½" barb           |
| 16) 340084-20  | Clamp, hose, .81" x 1.75" SAE #20     |
| 17) 601266     | Flange, closet, 3 x 4, slip FIT       |
| 18) 600820     | 3" single socket 90 degrees           |
| 19) 601482     | Dump valve rotating assembly          |
| 20) 195329-229 | Reducer adaptor, 3" to 5"             |
| 21) 601160-04  | Pipe, ABS DVW 3"2.50" length          |
| 22) 600182     | WYE, 1.5 x 1.5 x 1/8" Bend, ABS       |

#### Not shown:

- |           |                           |
|-----------|---------------------------|
| 601607-06 | Bayonet ring, glue on, 3" |
| 601607-07 | Bayonet cap, 3"           |

# 2003 360/365 XC DIESEL PUSHER



365 XC Drain lay out

## 2003 360/365 XC DIESEL PUSHER

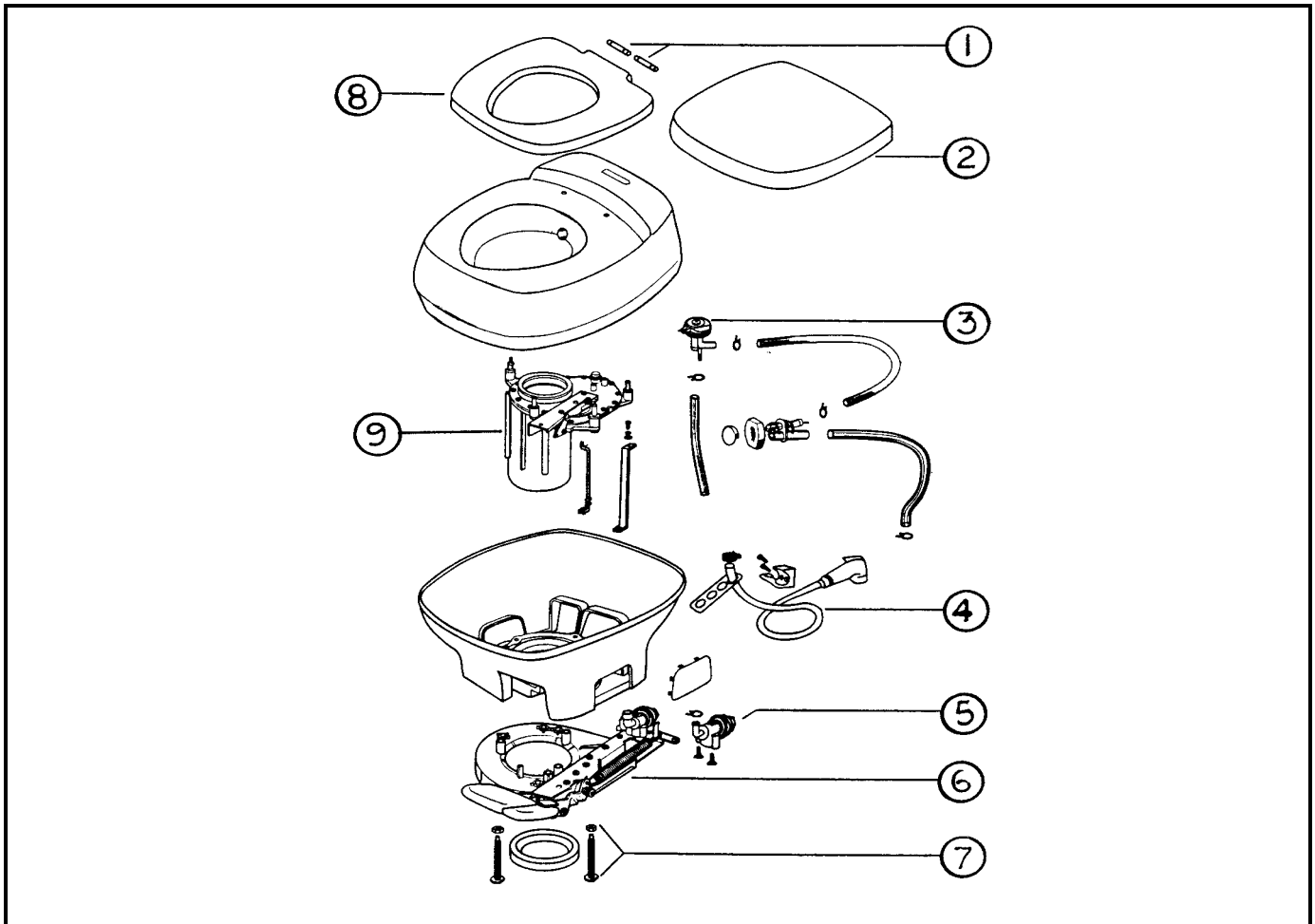
### PLUMBING DRAIN SYSTEM 365 XC

- |                |                                       |
|----------------|---------------------------------------|
| 1) 601160-02   | Pipe, ABS DVW 1½"                     |
| 2) 601676      | Adapter, threaded male 1½" inch, CSA  |
| 3) 600035      | ELL ABS, long sweep 1½"               |
| 4) 600156      | 1½" inch, TEE sanitary                |
| 5) 600030      | 1½" inch ELL ABS 45 degrees long-turn |
| 6) 600033      | Elbow, vent 1.50,90 degrees           |
| 7) 600144      | P-Trap, ABS 1½" inch                  |
| 8) 600622      | P-trap, 1½" w/slip nut and washer     |
| 9) 600822      | Adapter, P-trap # 60262               |
| 10) 600378     | Continuous waste 1½" inch             |
| 12) 600538     | Vent, V-200 Automatic                 |
| 13) 601700     | Hose, drain 1½" inch                  |
| 14) 600308     | Adapter, ABS female                   |
| 15) 601699     | Adapter, 1½" MPT x 1½" barb           |
| 16) 340084-20  | Clamp, hose, .81" x 1.75" SAE #20     |
| 17) 601266     | Flange, closet, 3 x 4, slip FIT       |
| 18) 600820     | 3" single socket 90 degrees           |
| 19) 601482     | Dump valve rotating assembly          |
| 20) 195329-229 | Reducer adaptor, 3" to 5"             |
| 21) 601160-04  | Pipe, ABS DVW 3"2.50" length          |
| 23) 600094     | Wye #2301                             |
| 24) 600155     | Plug, clean out                       |
| 25) 60126704   | Nipple, 3" 9.00"long                  |

#### Not shown:

- |           |                           |
|-----------|---------------------------|
| 601607-06 | Bayonet ring, glue on, 3" |
| 601607-07 | Bayonet cap, 3"           |

## 2003 360/365 XC DIESEL PUSHER



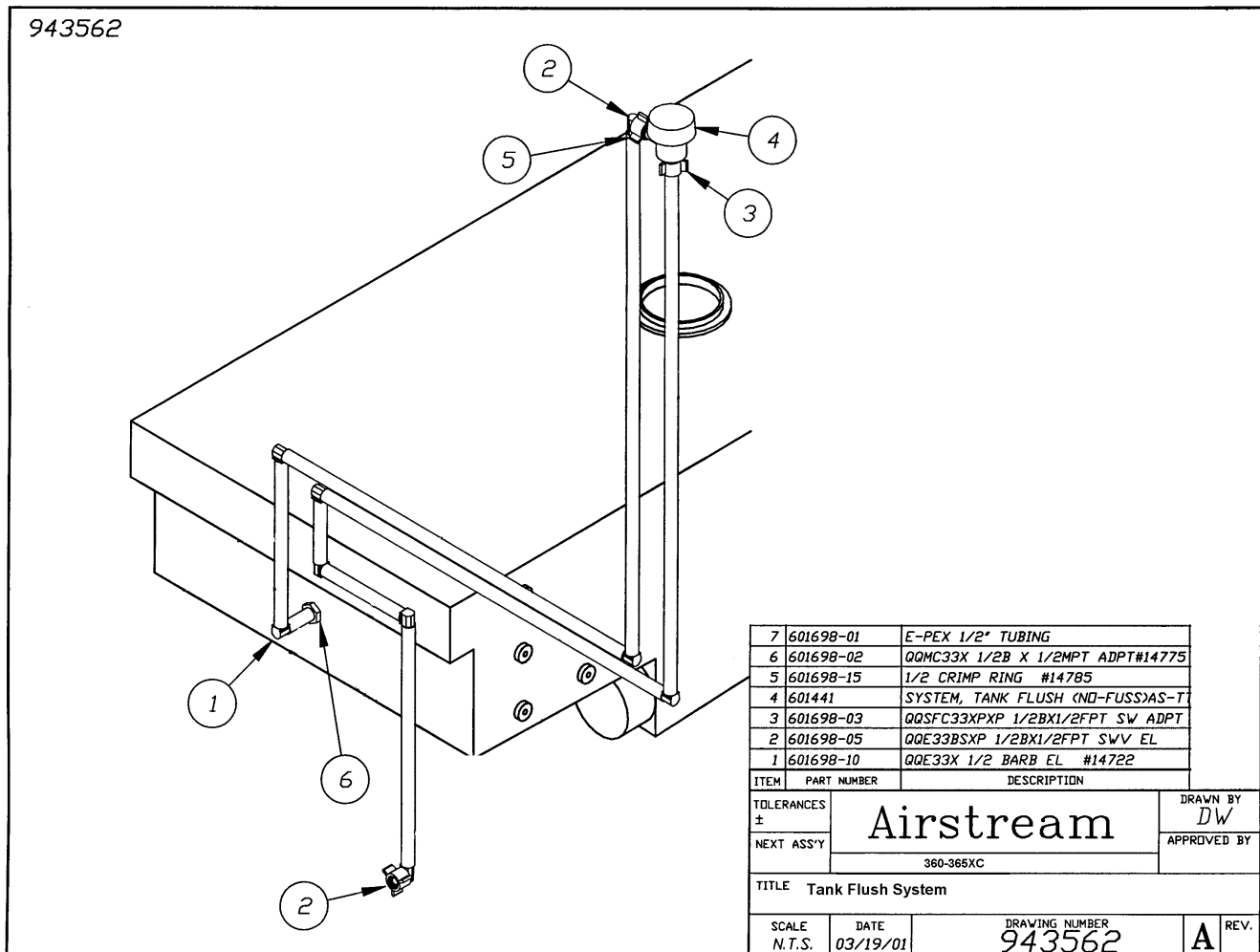
690386 Toilet, Thetford China, Aurora, bone

- |               |  |
|---------------|--|
| 1) 690386-101 | Hinge pins, seat, Aurora               |
| 2) 690386-102 | Seat cover, bone, Aurora               |
| 3) 690386-103 | Vacuum-breaker, Aurora                 |
| 4) 690386-104 | Hand spray kit, Aurora                 |
| 5) 690386-105 | Ball valve kit, Aurora                 |
| 6) 690386-106 | Lower mechanism assembly, bone, Aurora |
| 7) 690386-107 | Closet flange seal & bolt kit          |
| 8) 690386-108 | Seat, bone, Aurora                     |
| 9) 690386-109 | Upper mechanism assembly, bone, Aurora |

# 2003 360/365 XC DIESEL PUSHER

- 203264 UTILITY COMPARTMENT
- 381435 HATCH, ACCESS COVER 4" WHITE
- 3601742-01 FAUCET-B & K HEAVY DUTY W/12" SPOUT
- 601764 VALVE-CITY WATER FILL
- 381744 COVER-ACCESS HATCH P. WHITE 5"
- 601766 WATER FILL, GRAVITY GRAY
- 203278 PANEL-PLUMBING RIGHT
- 601786 CITY WATER FILL, CHROME
- 381665 GASKET "D" SEAL .50WX.36H BLACK
- 601786 City water fill, black tank flush, chrome

## Tank Flush System



## 2003 360/365 XC DIESEL PUSHER

### SAFETY EQUIPMENT

510781	Detector, smoke #1056 w/silencer
511343	Detector, carbon monoxide-9 volt
511309	Detector, LPG
510734	Alarm, back-up
381069	Seat belt kit, cocktail chair
453676	BRACKET-L H DINETTE SEAT BELT DBL
453676-01	BRACKET-RH DINETTE SEAT BELT DBL
690381-01	Fire extinguisher 10 B: CUL
690381-02	Fire extinguisher 10 B: CULC (Canadian)
380188	Emergency warning triangle set of 3
104315	BRACKET, FRONT LICENSE PLATE, MH.
510863-01	72", 6-WAY CONNECT. LY MH, TOW VEC
381179	HOSE, COILED, AIR 50FT.
381180	COUPLER, AIR HOSE, MALE #5139-11
381181	AIR CHUCK, DUAL FOOT, #401
381182	TIRE GAUGE, DUAL FOOT, #8102A
410821	VALVE TUBELESS CLAMP IN TR416

# 2003 360/365 XC DIESEL PUSHER

## SEALER, GASKETS, PAINT, ADHESIVES GASKETS



1) 365205



2) 365237-01



3) 365232



4) 365214



5) 201260



6) 381524



7) 381665



8) 365013-01



9) 365009

1) 365005

Gasket, weather strip, rear trunk door

2) 365237-01

Seal, dust, compartment door edge

3) 365232

Seal, main door/compartment door jamb

4) 365214

Gasket, seal-compartment door hinge and main doorjamb

5) 201260

Insert, windshield gasket, rubber

6) 381524

Gasket, windshield, includes center strip

7) 381665

Gasket, window to body, door jamb

8) 365013-01

Gasket, screen door, low-density foam

9) 365009

Gasket, screen door, at bottom notch

# 2003 360/365 XC DIESEL PUSHER

Sealer, gaskets, paint, adhesives

## GASKETS-SE-GI WINDOWS



1) 371366-103



2) 371366-102



3) 371366-104



4) 371366-105

- |               |                                |
|---------------|--------------------------------|
| 1) 371366-103 | Track, window screen, Se-Gi    |
| 2) 371366-102 | Track, sliding pane, Se-Gi     |
| 3) 371366-104 | Wiper seal, vertical, Se-Gi    |
| 4) 371366-105 | Screw cover, clamp ring, Se-Gi |

Not shown:

365263 Gasket, engine cover



2003 360/365 XC DIESEL PUSHER  
SEALER, GASKETS, PAINT, ADHESIVES

SEALER

360002	Vulkem sealer, gray
360052	Vulkem sealer, black
360180	Sika flex #221
360268-01	Liqua-Seal, roof, white
360255-03	Sealer, anti-wick
360190	SEALANT - WHITE
360001	BUTYL SEALANT, #884058
360209	SEALANT, SEAM (PER GAL.)
360286	SEALANT, GREY SU6000-40-386/1 C
360176	Sealant, Almond, bathroom
360210	Sealant, Paralastic #4334-04 (refrigerator compartment sealer)
360283	Silicone sealer, Corian bone

2003 360/365 XC DIESEL PUSHER  
SEALER,GASKETS, PAINT,ADHESIVES

ADHESIVES

800639-02	Adhesive, Oak plank flooring
360270	Adhesive spray, Sta-Put, ceiling panels (reference only, not available for shipment)
360261	Glue, urethane

PAINT

Each vehicle has been provided with a sheet listing the paint color codes on that particular motorhome .Also, each motorhome is shipped with touch-up paint for each color.

A back up color chart for each motorhome is kept in Airstream's files .If calling Airstream for this information ask for "Sales" and have the serial number available for them.

360292	Stain, Saratoga Oak (new for year 2000)
365244	Lacquer, clear, used on wood
360262-01	paint, Nu-White

MISCELLANEOUS

360179	Undercoat, Pennzoil II
6000329	Tape, silver,2" wide

## 2003 360/365 XC DIESEL PUSHER

### UPHOLSTERY/FOAM/MATTRESS

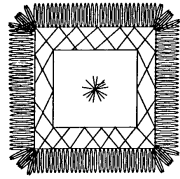
702987	Mattress, 60" x 80" w/45 degree corner
701611	Pillow 21" x 31"
*702677-399	Bedsread ,Roman Sands
965236	Head board, 62"wide
702901-01	Swivel chair, Villa
703145-399	Dinette chair, full fabric w/storage, option
703143-70	Sofa, Villa 74", leather "1000" Style
703144-70	Sofa, Villa 74", leather "1000" Style, CSA
702897-01	Seat, driver, power w/belts
702898-01	Seat, passenger, non-power, w/belts
998070	Cover, seat, side dinette
998071	Cover, back, side dinette

\*Changing the-(dash) number to:

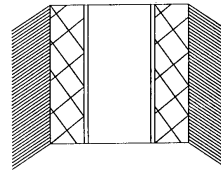
350 = Georgia Peach  
320 = Golden Oak  
470 = Mandalay Blue  
460 = Mystic Mint

2003 360/365 XC DIESEL PUSHER

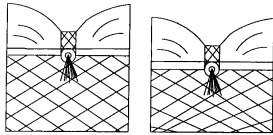
UPHOLSTERY/FOAM/MATTRESS  
PILLOW KIT  
**ROMAN SANDS**



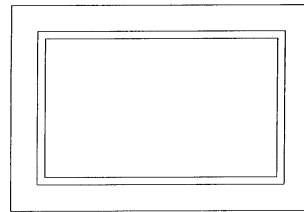
703032-01 Lounge accent pillow



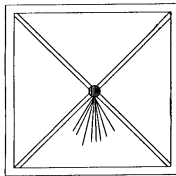
703032-02 Lounge accent pillow



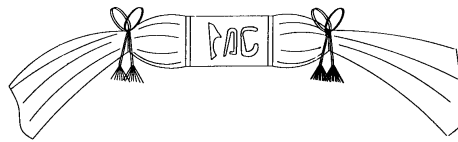
703032-03 703032-04(chair)  
Lounge accent pillows



703032-05 Sham, Queen

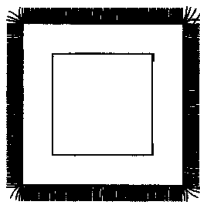


703032-06 Bedroom accent pillow



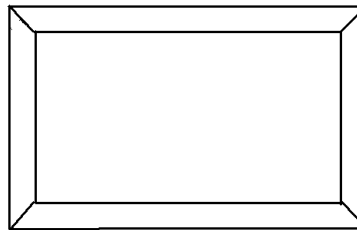
703032-07 Bedroom accent pillow

**Autumn Blush--Porifina--Blue Dimensions**



Sofa Pillow

- Autumn Blush 703178-01  
Portifina 703176-01  
Blue Dimension 703168-01



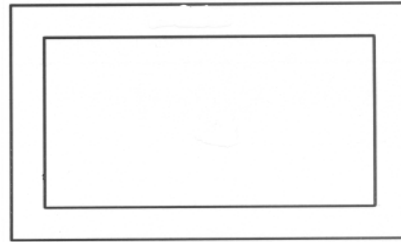
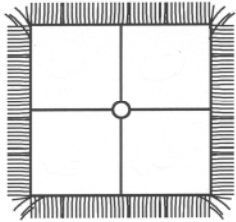
Bed Shams

- 703178-02  
703176-02  
703168-02

2003 360/365 XC DIESEL PUSHER

Upholstery/Foam/Mattresses  
Pillow Kit

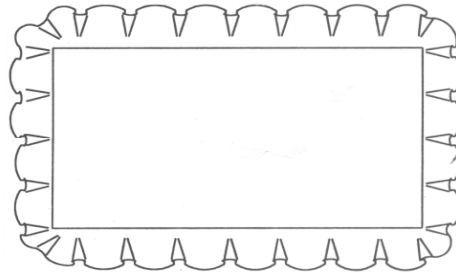
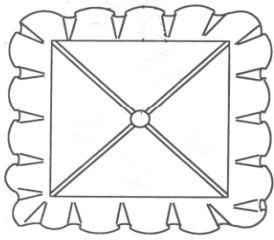
**Golden Oak**



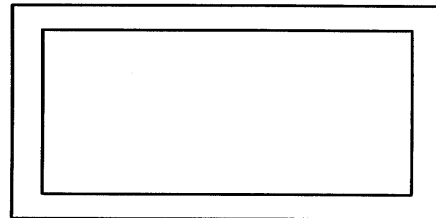
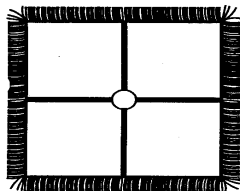
703089-01 Sofa Pillow

703089-02 Bedroom Sham

**Georgia Peach**



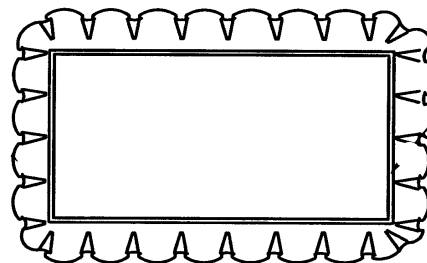
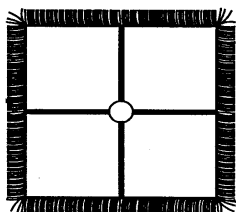
**Mandalay Blue**



703107-01  
Sofa Pillow

702107-02  
Bed Pillow Shams

**Mystic Mint**



703109-01  
Sofa Pillow

703109-02  
Bedroom pillow shams

## 2003 360/365 XC DIESEL PUSHER

### UPHOLSTERY/FOAM/MATTRESS

964500	Upholstered back, aft dinette 365 XC
702464-19	Foam, dinette, upper back, RH
702464-07	Foam, dinette, lower back
964501	Upholstered back, forward dinette
702464-20	Foam, dinette, upper back, LH
702464-07	Foam, dinette, lower back
998070	Cover, seat, side dinette
702464-09	Foam, dinette, aft seat
702464-11	Foam, dinette, forward seat
998071	Cover, back, side dinette
965241	Upholstered back, L.H., dinette 360 XC
965232-01	Shadow Box assy., RS lounge
965232-03	Shadow Box assy, dinette
965232-04	Shadow box assy., bedroom
964989	Shadow box, dinette, 60.25" x 29.75"

## 2003 360/365 XC DIESEL PUSHER

### VENTS/FANS

381207-03	Vent w/screen + cap, refrigerator, roof
511152-01 114982	Vent cover, exterior, range exhaust Transition box, range exhaust
203153-02	Skylight, heavy duty, 14" x 22"
203152-06	Trim dome, inner, skylight, 14" x 22"
381541-06	Roof vent w/power lift
381541-02	Switch, roof vent
381541-04	Trim ring, ceiling vent, Birch
690266-03	Garnish, 4" extension
381450	Vent, roof, Fantastic#6000RBT
511547	Fan, defrost, chrome
381631-01	Skylight, plastic, neo-angle 22" x 22"
203152-06	Garnish, skylight, 13.25" x 21" x 4 in., white

## 2003 360/365 XC DIESEL PUSHER

### WOOD/INTERIOR TRIM

801261-01	Paneling, interior wall, 1/8" x 4' x 8', Antiquity Buff
203159-02	Trim, divider bar, interior panels, Antiquity Buff
800507-01	Paneling, luan, 1/8" x 4' x 8'
800807-03	Paneling, luan, 3/8" x 4' x 8'
800507-04	Luan. Raw/raw, 1/2"
800507-02	Luan, 1/4" x 4' x 8'
800397-01	Cedar, planked, 5/32"x 4'x 8'
201728-01	Extrusion, ceiling trim retainer
201728-03	Extrusion, ceiling trim
801283	Paneling 1/2" x 4' x 8', G2S, Antiquity Buff
801274	Paneling 1/2" x 4' x 8', G1S, Antiquity Buff
801180-004	Paneling 1/2"x4'x7', G2S, Oak/oak
801179-004	Paneling, 1/2" x4'x7', G1S, Oak/raw
801182-004	Paneling 5/32" x 4' x 7', G2S, Oak/Oak
801181-004	Paneling 5/32" x 4' x 7', G1S, Oak/raw
801229	Laminate, oak, 4' x 8'
365251-01	Tape, seam, Antiquity Buff, 1 1/8" wide
365251-02	Tape, seam, Antiquity Buff, 8" wide
365251-03	Tape, seam, Antiquity Buff, 12" wide



# 2003 360/365 XC DIESEL PUSHER

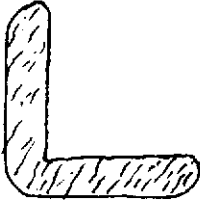
## WOOD/INTERIOR



1) 801206-014



2) 964152-014



3) 801175-04



4) 800571-014



5) 800617-014



6) 801172-014  
6a) 801172-04



7) 801173-034



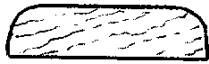
8) 801173-044

- |              |  |
|--------------|--|
| 1)801206-014 | Molding, floor, Oak, 43"                 |
| 2)964152-014 | Molding, chair rail, Oak                 |
| 3)801175-04  | Molding, corner, Antiquity Buff          |
| 4)800571-014 | Molding, Oak, flat 1/4" x 33/64" x 80"   |
| 5)800617-014 | Molding, Wainscoat, Oak                  |
| 6)801172-014 | Molding, flexible corner, Oak            |
| 6a)801172-04 | Molding, flexible corner, Antiquity Buff |
| 7)801173-034 | Molding, flat radius, .88" Oak           |
| 8)801173-044 | Molding, flat radius, 1.13" Oak          |

(Trim continued)

# 2003 360/365 XC DIESEL PUSHER

## WOOD/INTERIOR TRIM



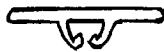
1) 800573-014



2) 800572-014



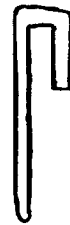
3) 201728-03



4) 201728-01



5) 203159-02



6) 201666-01



7) 201790-01



8) 203138-03

8a) 203138-02

1) 800573-014

Molding, door edge, Oak, 13/32" x 80"

2) 800572-014

Molding, panel edge, Oak 23/32" x 80"

3) 201728-03

Extrusion, ceiling trim, beige

4) 201728-01

Extrusion, ceiling trim retainer

5) 203159-02

Trim, divider bar, interior panels, Antiquity Buff

6) 201666-01

Molding, J, 3/16, plastic, Almond

7) 201790-01

Molding, cove, white, ceiling to wall

8) 203138-03

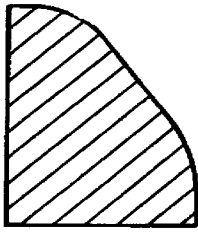
Extrusion, wall, plastic, beige (panel edging)

8a) 203138-02

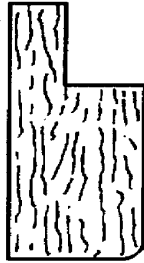
Extrusion, wall, plastic, brown (panel edging)

# 2003 360/365 XC DIESEL PUSHER

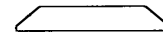
## WOOD/INTERIOR TRIM



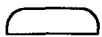
1) 800576-014



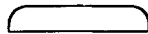
2) 801189



3) 801178-03



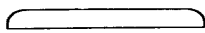
4) 801173-014



5) 801173-024



6) 801173-034



7) 801173-044

- |               |   |
|---------------|---|
| 1) 800576-014 | Molding, bath doorstep, Oak                 |
| 2) 801189     | Trim, bath doorjamb, Oak                    |
| 3) 801178-03  | Flat molding, vinyl wrapped, Antiquity Buff |
| 4) 801173-014 | Flat molding, vinyl wrapped, Oak,.50 wide   |
| 5) 801173-024 | Flat molding, vinyl wrapped, Oak,.75 wide   |
| 6) 801173-034 | Flat molding, vinyl wrapped, Oak,.88 wide   |
| 7) 801173-044 | Flat molding, vinyl wrapped, Oak,1.13 wide  |

## SLIDE OUT ROOM INTERIOR TRIM

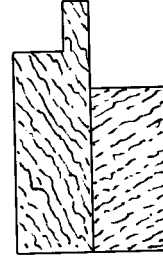
- |            |  |
|------------|--|
| 964267-004 | Molding, decorative Oak, slide out trim, 84"   |
| 964267-014 | Molding, decorative Oak, slide out trim, 120"  |
| 964101-024 | Facia, decorative Oak, corner block, slide out |

2003 360/365 XC DIESEL PUSHER

WOOD/INTERIOR TRIM



1) 801289



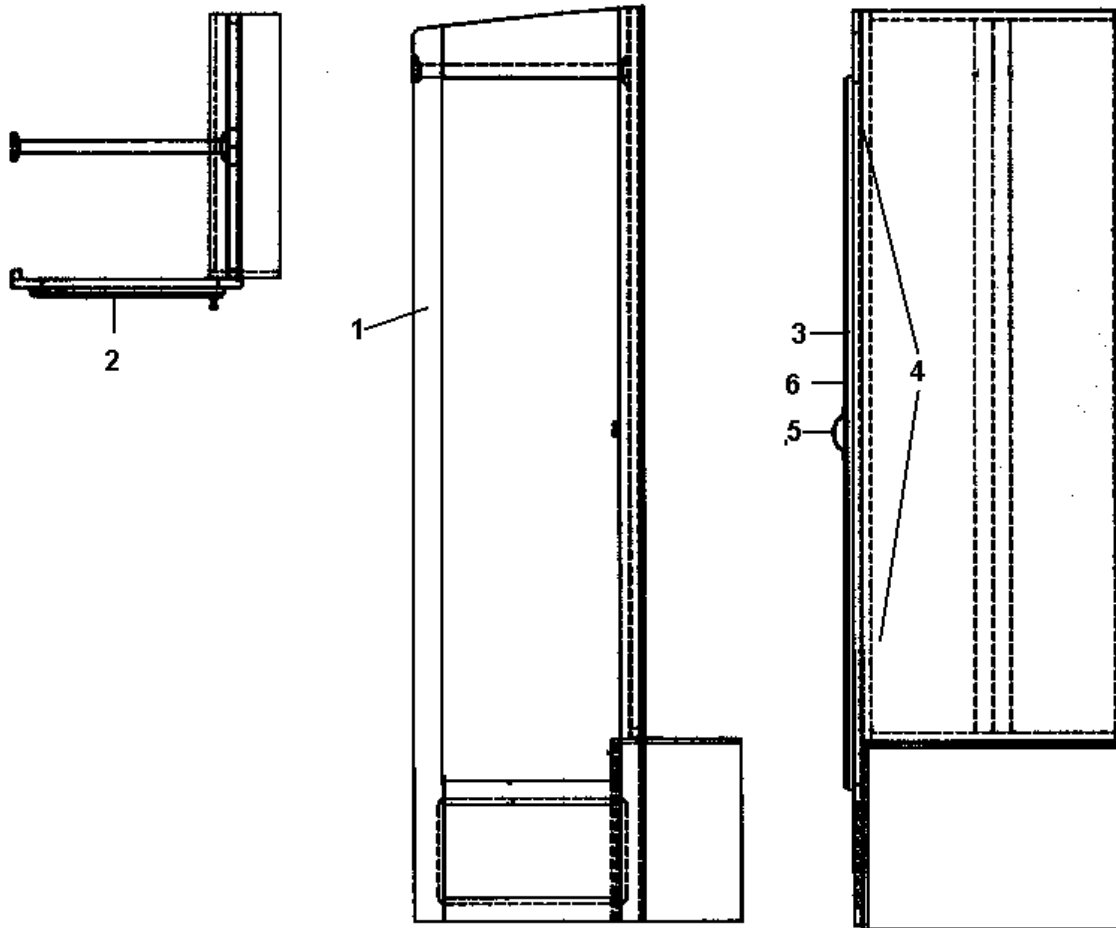
2) 801290

- 1) 801289
- 2) 801290

- Trim, step, entrance
- Trim w/ledge, step, entrance

# 2003 360/365 XC DIESEL PUSHER

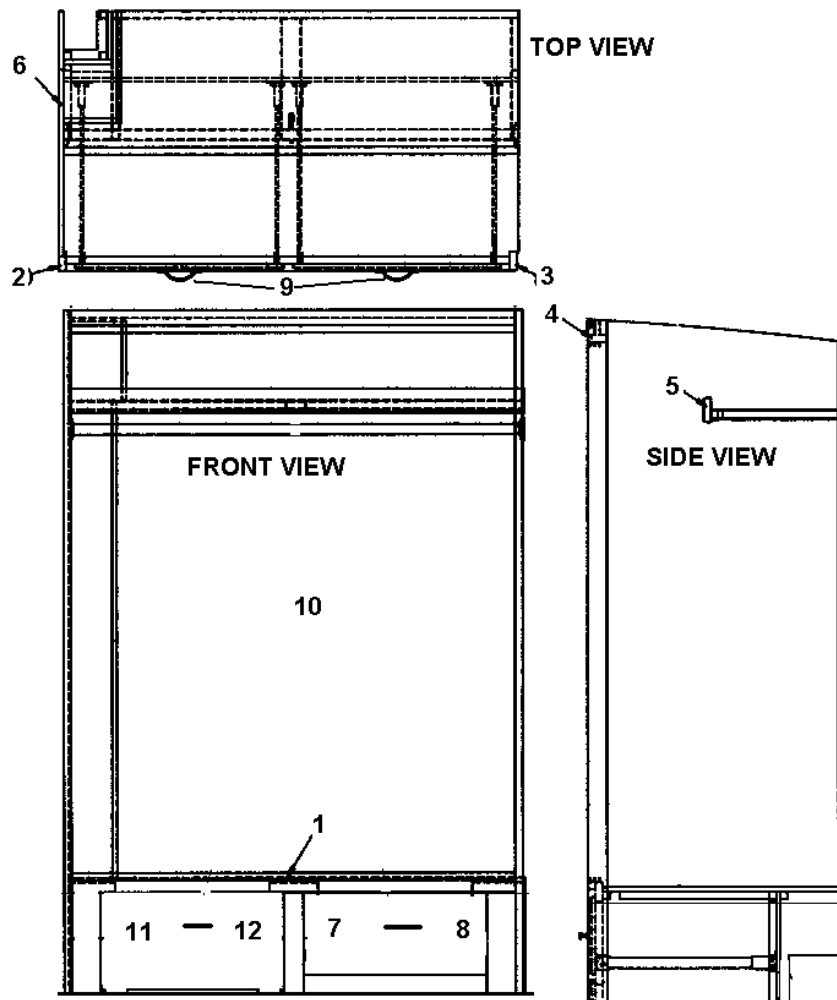
965123 Wardrobe assembly, 360XC, CS Rear



- |               |                                  |
|---------------|----------------------------------|
| 1. 965107-00z | Face frame, closet CS corner     |
| 2. 800557-11z | Door-frame only, 16" x 60"       |
| 3. 372210-23  | Mirror, beveled, 13.12" x 28.12" |
| 4.381601      | Hinge, Antique Brass             |
| 5. 381599     | Handle, drawer-door              |
| 6. .381228    | Graber door catch                |

# 2003 360/365 XC DIESEL PUSHER

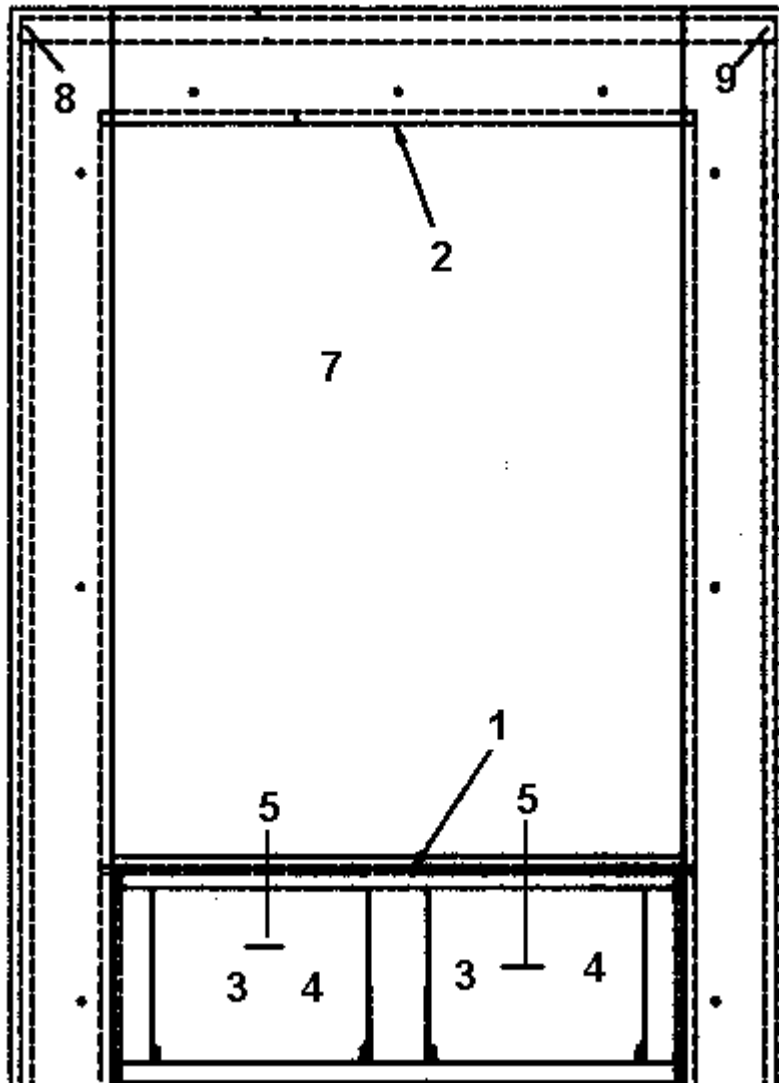
## 965320 360 XC WARDROBE ASSEMBLY



- |                |                                    |
|----------------|------------------------------------|
| 1. 965321-00z  | Face frame wardrobe                |
| 2. 965142-00z  | Style-wardrobe, LH                 |
| 3. 965149-00z  | Style-wardrobe, RH                 |
| 4. 965144-00z  | Header, wardrobe                   |
| 5. 965152-00z  | Facer shelf, wardrobe              |
| 6. 801302-06   | Panel, FWD, wardrobe               |
| 7. 800599-78z  | Drawer face, 8" x 20"              |
| 8. 964907-05   | DRW box, 18" x 18" x 6"            |
| 9. 381599      | Handle, drawer-door                |
| 10. 381727-01  | Sliding Wardrobe Doors 46" x 55.5" |
| 11. 800599-79z | Drawer face, 12" x 20"             |
| 12. 964909-04  | DRW box, 18" x 18" x 10"           |

# 2003 360/365 XC DIESEL PUSHER

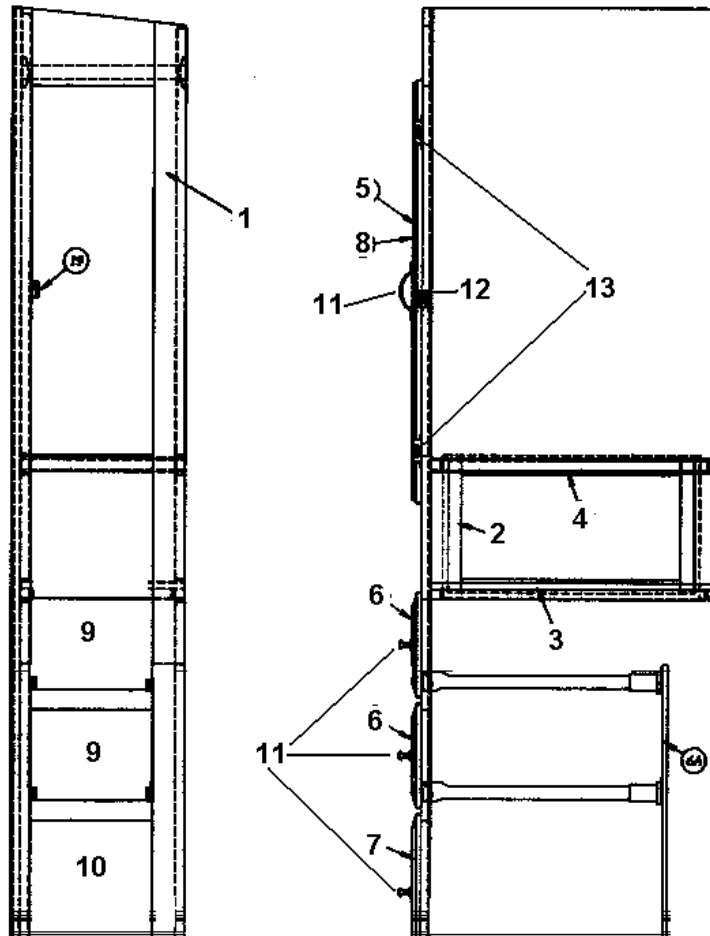
965371-Wardrobe assembly, 365 XC S/O BDRM



1. 965372-00z Face frame wardrobe S/O 365 XC
2. 965470 Frame Facia, slide out
3. 800599-10z Drawer face, 12" x 15"
4. 964909-10 Drawer box, 13" x 18" x 10"
5. 381599 Door handles
6. 381228-01 Grabber catch
7. 381727-03 Wardrobe sliding doors, mirrored
8. 965373-01 Stile, LH
9. 965373-02 Stile, RH

# 2003 360/365 XC DIESEL PUSHER

## 965124-Wardrobe, RS rear

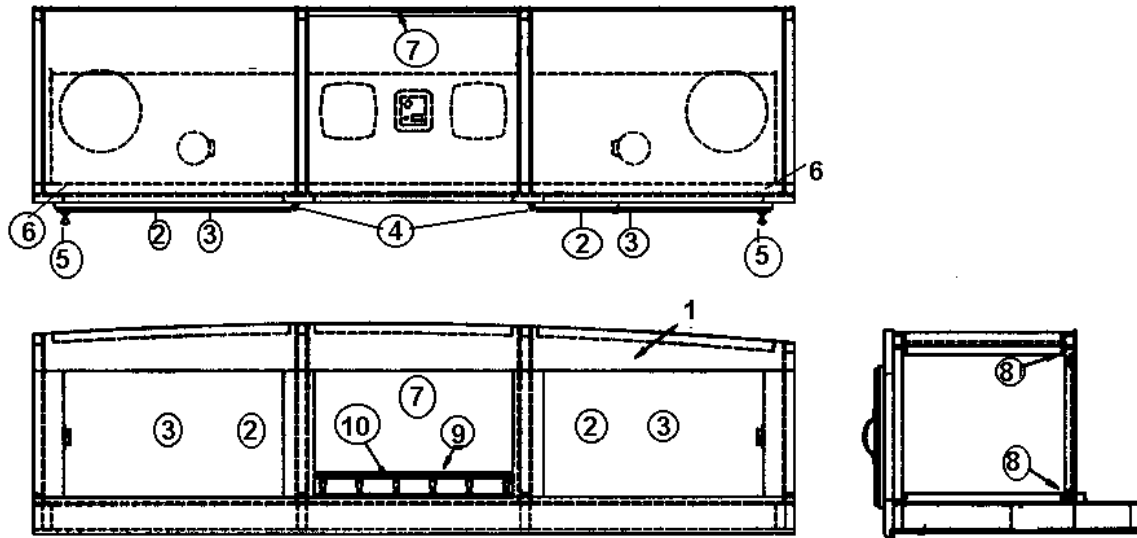


- |               |                                  |
|---------------|----------------------------------|
| 1. 965108-00z | Face frame wardrobe, RS corner   |
| 2. 965133-00z | Face frame, N/S pocket           |
| 3. 801179-00z | Shelf, 22.25" x 12.81"           |
| 4. 801181-00z | Shelf, 22.25" x 12.81"           |
| 5. 800557-23z | Door-Frame only, 10.50" x 32.50" |
| 6. 800599-65z | Drawer face, 8" x 10.50"         |
| 7. 800599-76z | Drawer face, 12" x 10.50"        |
| 8. 372210-10  | Mirror, beveled, 7.62" x 29.62"  |
| 9. 964907-02  | Drawer box, 8.5" x 18" x 6"      |
| 10. 964909-01 | Drawer box, 8.5" x 18" x 10"     |
| 11. 381599    | Handle, drawer/door              |
| 12. 381228-01 | Catch, grabber door              |



# 2003 360/365 XC DIESEL PUSHER

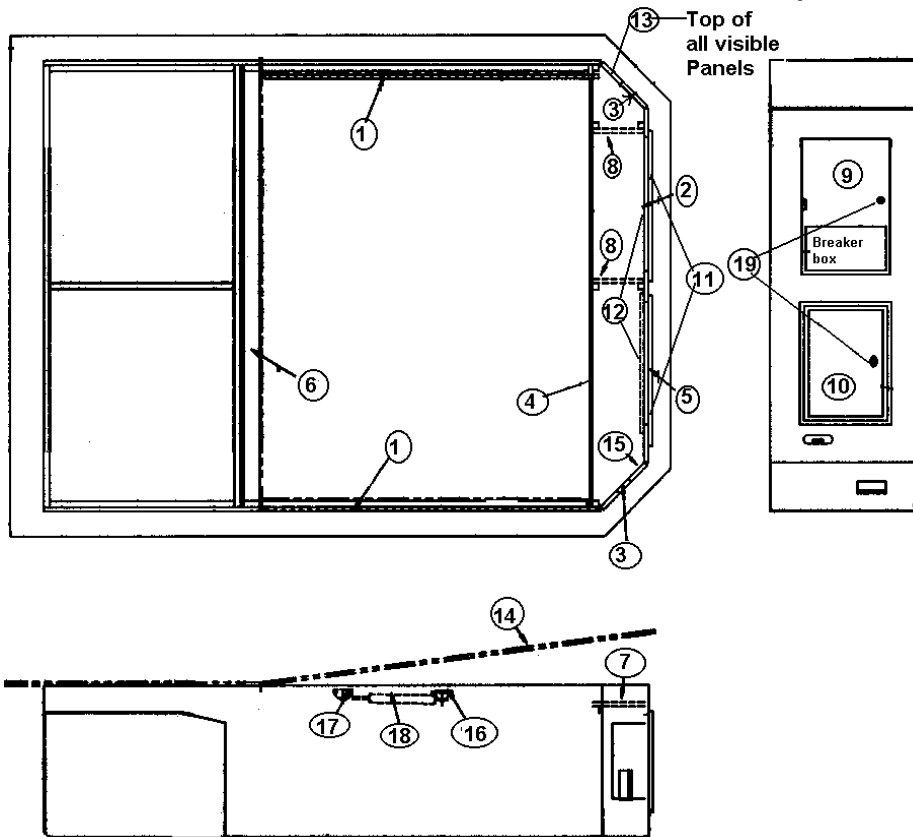
## 965384-Roof locker rear



- |               |                                       |
|---------------|---------------------------------------|
| 1. 965376     | Face frame, rear liner locker         |
| 2. 800557-33z | Door frame, Oak, 11.5" x 19.5"        |
| 3. 372210-02  | Mirror, beveled, 8.62" x 16.62"       |
| 4. 381601     | Hinge, Antique Brass                  |
| 5. 381599     | Handle, drawer/door                   |
| 6. 381228-01  | Catch, grabber door                   |
| 7. 371262-15  | Mirror, safety, 10.56" x 17.12"       |
| 8. 800617-00z | Molding, Wainscott, 84"               |
| 9. 381449-04  | Galley rail, decorative rod, 30"      |
| 10. 381449-05 | Post, decorative rail, Polished Brass |

# 2003 360/365 XC DIESEL PUSHER

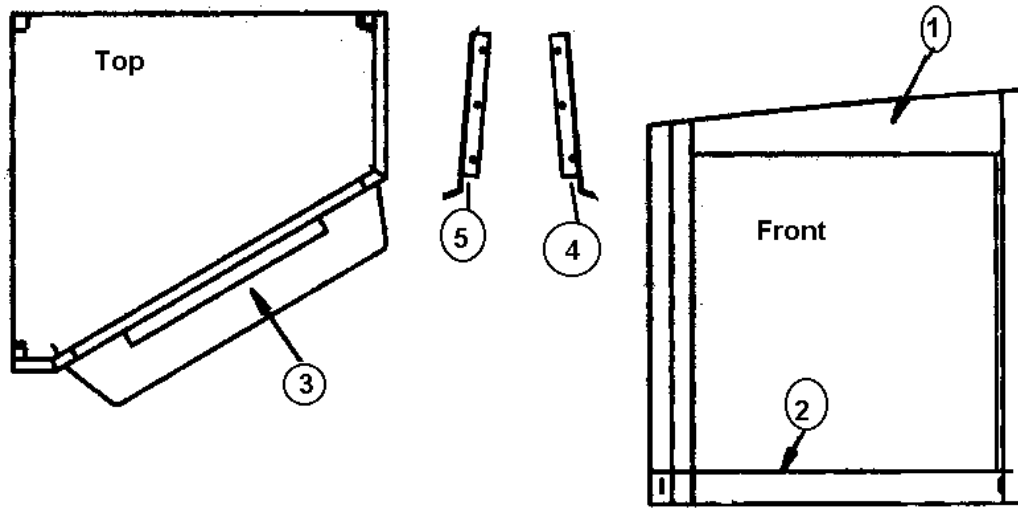
## 965127-Bed Assembly



1. 801180-00zPanel, 1/2" G2S, 18.25" x 67.50", sides
2. 801180-00zPanel, 1/2" G2S, 18.25" x 42.38", end
3. 801180-00zPanel, 1/2" G2S, 18.25" x 7.50", corner
4. 801180-00zPanel, 1/2" G2S, 18.25" x 53.00", divider
5. 801180-00zPanel, 1/2" G2S, 12" x 18", drawer face
6. 801179-00zPanel, 1/2" G1S, Vinyl/raw, 18.25" x 53.00", divider
7. 801179-00zPanel, 1/2" G1S, Vinyl/raw, 6.25" x 53.00", shelf
8. 801179-00zPanel, 1/2" G1S, Vinyl/raw, 6.25" x 13.75", shelf sides
9. 801179-00zPanel, 1/2" G1S, Vinyl/raw, 15.69" x 16.75", Brk. box cover
10. 801179-00z Panel, 1/2" G1S, Vinyl/raw, 6.25" x 17.50", shelf sides
11. 381601 Hinge, Antique Brass
12. 381228-01 Catch, grabber door
13. 365238-04 Edge banding tape, PVC 5/8"
14. 965108 Bed top assembly
15. 114960 Angle, metal, bed corner
16. 381262 Bracket, prop w/ball, angled
17. 381263 Bracket, prop w/ball, straight
18. 381549 Gas spring
19. 385940 Mirror pull, brass
20. 965236 Headboard, 62.00", not shown

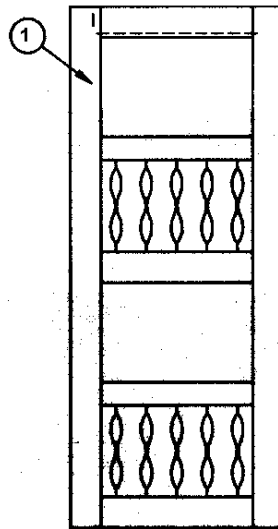
# 2003 360/365 XC DIESEL PUSHER

## 965363-TV cabinet assembly, bedroom 365XC



- 1. 965362-00z Face frame, TV cabinet
- 2. 801179-00z panel, 1/2", G1S, 21.21" x 22.50"
- 3. 965313 Shelf, front
- 4. 114909-01 Bracket, TV mount, RH
- 5. 114909-02 Bracket, TV mount, LH

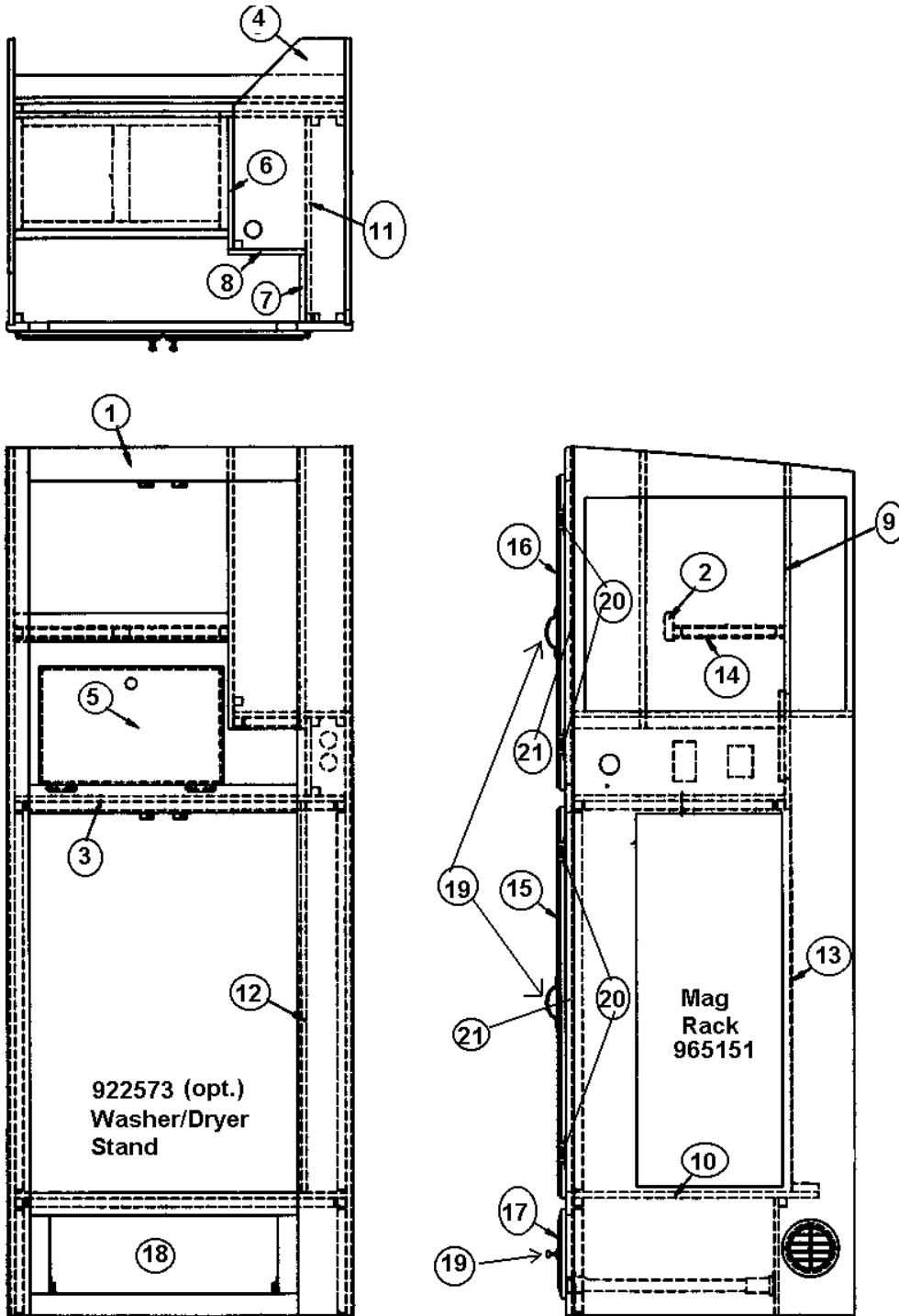
## 965151-Magazine Rack 360



- 965150-00z Face frame, Magazine rack

# 2003 360/365 XC DIESEL PUSHER

## 965121-01 Laundry Cabinet Assembly 360 XC



See Next Page for P/N

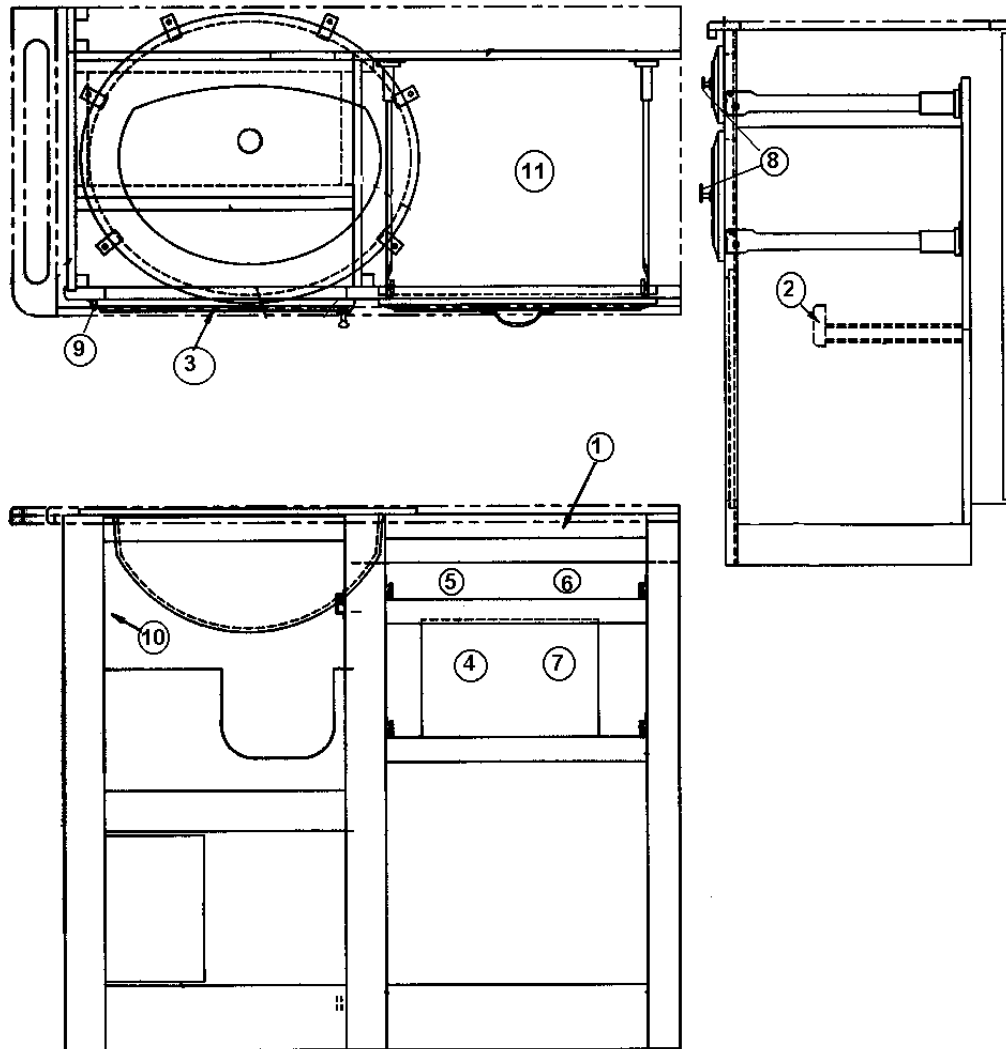
## 2003 360/365 XC DIESEL PUSHER

### 965121-01-Laundry Cabinet Assembly 360 XC

1. 965105-00z Face frame, laundry cabinet
2. 965149-00z Facer shelf, laundry cabinet
3. 801108-00z 19" x 29.75", center shelf
4. 801108-00z 10" x 25.25", TV shelf
5. 801108-00z 16.50" x 10.50", Door
6. 801108-00z 12.50" x 24.62", Close out
7. 801108-00z 5.94" x 25.00", Close-out
8. 801108-00z 6.94" x 24.62", Close out
9. 801179-00z 29.75" x 30.62", Upper back
10. 801179-00z 22.00" x 29.75", Bottom shelf
11. 801179-00z 19.00" x 7.00", Recept shelf
12. 801179-00z 19.50" x 34.75", Bottom divider
13. 801181-00z 29.75" x 35.25, Lower Back
14. 801181-00z 10.00" x 19.25", Upper shelf
15. 800880-16z Door-louvered, 12.75" x 34.75"
16. 800597-79z Door, Raised panel, 12.75" x 28.00"
17. 800599-00z Drawer face, 8" x 21.50"
18. 964907-03 Drawer box, 19.50" x 18.00" x 6.00"
19. 381599 Handle, drawer/door
20. 381601 Hinge, Antique Brass
21. 381228-01 Catch, grabber door
22. 962575-01 Stile, washer/dryer, not shown

# 2003 360/365 XC DIESEL PUSHER

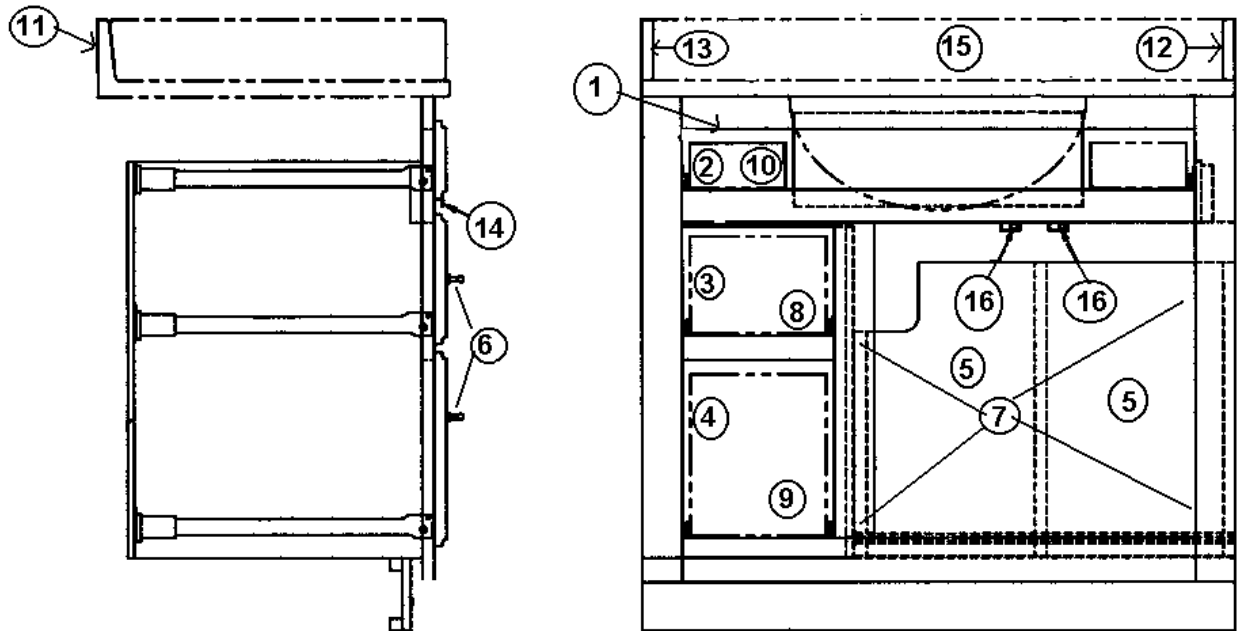
## 965119-Lavatory Cabinet, 360 XC



- |               |                                     |
|---------------|-------------------------------------|
| 1. 965103-00z | Face frame, Lavy                    |
| 2. 965149-00z | Facer shelf, laundry cabinet        |
| 3. 800597-00z | Door, Raised Panel, 16" x 29.50"    |
| 4. 800599-46z | Drawer face, 8" x 17.25"            |
| 5. 800599-77z | Drawer face, 4.75" x 17.25"         |
| 6. 964906-16  | Drawer box, 15.25" x 14.00" x 2.75" |
| 7. 964907-11  | Drawer box, 15.25" x 14.00" x 6.00" |
| 8. 381599     | Handle, drawer/door                 |
| 9. 381601     | Hinge, Antique Brass                |
| 10. 381228-01 | Catch grabber door                  |
| 11. 965153    | Top assembly, Lavy, Corian          |

# 2003 360/365 XC DIESEL PUSHER

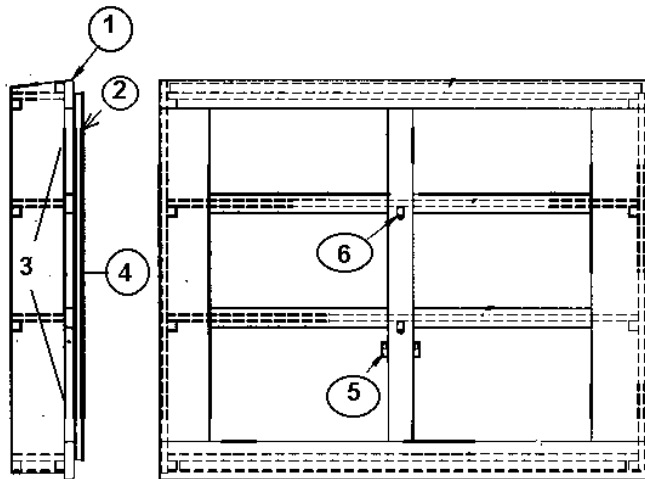
## 965385-Lavy Cabinet Assembly, 365 XC



- |               |                                     |
|---------------|-------------------------------------|
| 1. 965377     | Face frame, Lavy cabinet            |
| 2. 800599-80z | Drawer face, 4.75" x 33.00"         |
| 3. 800599-65z | Drawer face, 8.00" x 10.50"         |
| 4. 800599-76z | Drawer face, 12" x 10.50"           |
| 5. 800597-81z | Door, 10.50" x 20.50"               |
| 6. 381599     | Handle drawer/door                  |
| 7. 381683     | Hinge, hidden                       |
| 8. 964907-02  | Drawer box, 6.00" x 8.50" x 18.00"  |
| 9. 964909-01  | Drawer box, 10.00" x 8.50" x 18.00" |
| 10. 964906-01 | Drawer box, 2.75" x 6.00 x 18.00"   |
| 11. 965352    | Lavy top assembly, Corian           |
| 12. 601740    | Side splash, RH, Corian             |
| 13. 601741    | Side splash, LH, Corian             |
| 14. 385940    | Mirror pull, Brass                  |
| 15. 601793    | Back splash                         |
| 16. 381228    | Grabber door catch                  |

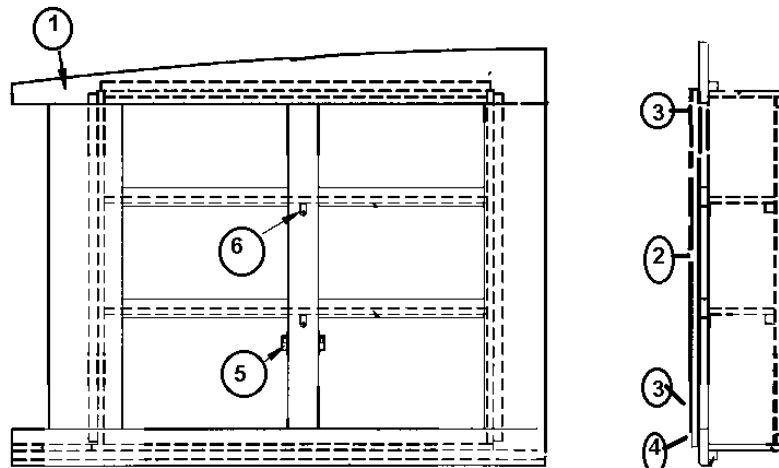
# 2003 360/365 XC DIESEL PUSHER

## 965125-Medicine cabinet assembly LH 360 XC



1. 965109-00z Face frame medicine cabinet, LH
2. 372203-13 Mirror, Polished Brass, 16.25" x 29.00"
3. 385935 Brass pivot hinge
4. 385940 Mirror pull, Brass
5. 381228-01 Door grabber catch
6. 380041 1" corner brace, Stanley

## 965126 Medicine Cabinet, 360 XC, RH

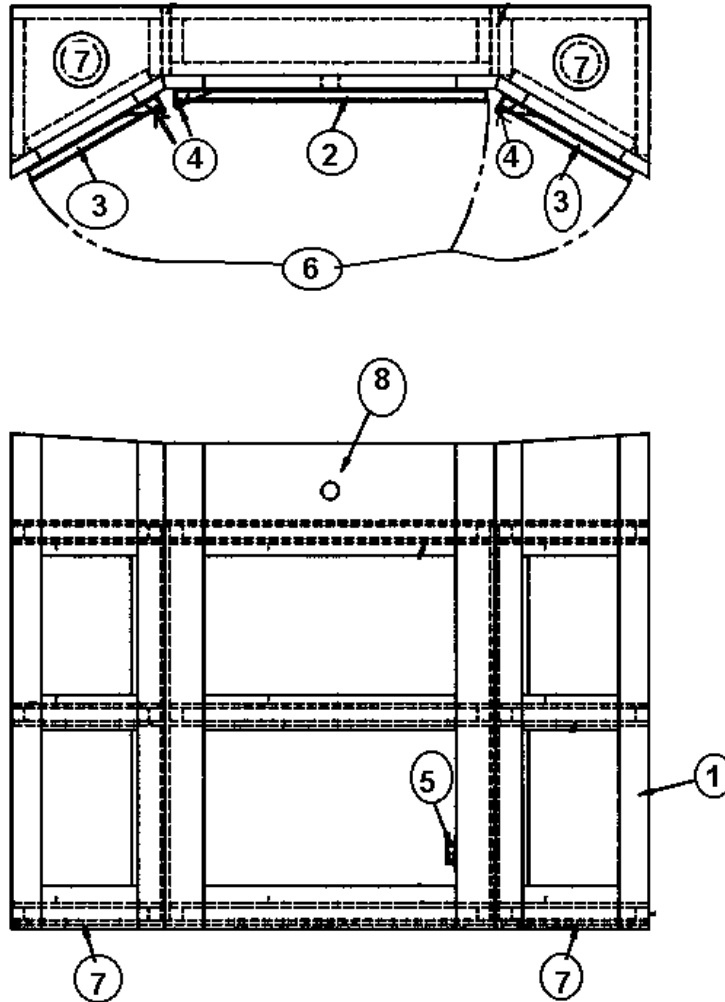


1. 965110-00z Face frame medicine cabinet, LH
2. 372203-13 Mirror, Polished Brass, 16.25" x 29.00"
3. 385935 Brass pivot hinge
4. 385940 Mirror pull, Brass
5. 381228-01 Door grabber catch
6. 380041 1" corner brace, Stanley



# 2003 360/365 XC DIESEL PUSHER

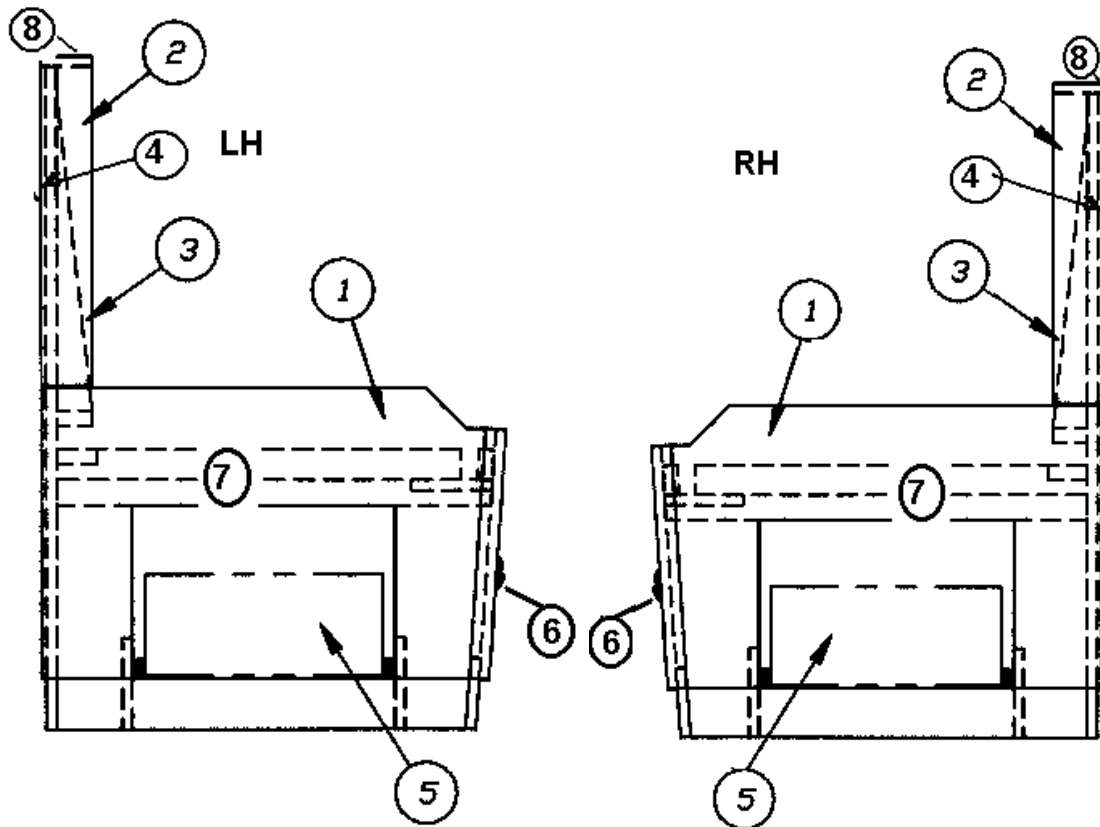
## 965383 Medicine Cabinet Assembly, 365 XC



- |              |                                       |
|--------------|---------------------------------------|
| 1. 965378    | Face frame, Medicine cabinet          |
| 2. 372203-11 | Glass, safety, mirrored 17" x 21.25"  |
| 3. 372203-25 | Glass, safety, mirrored 7.5" x 21.25" |
| 4. 385935    | Brass pivot hinge                     |
| 5. 381228-01 | Door grabber catch                    |
| 6. 385940    | Mirror pull, brass                    |
| 7. 511477    | Spot light, Halogen                   |
| 8. 511492    | Light, Medicine cabinet               |

# 2003 360/365 XC DIESEL PUSHER

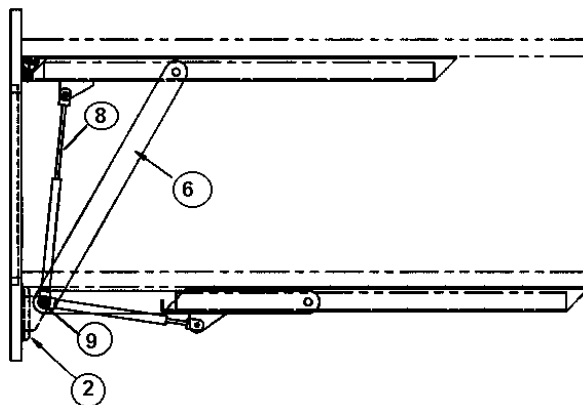
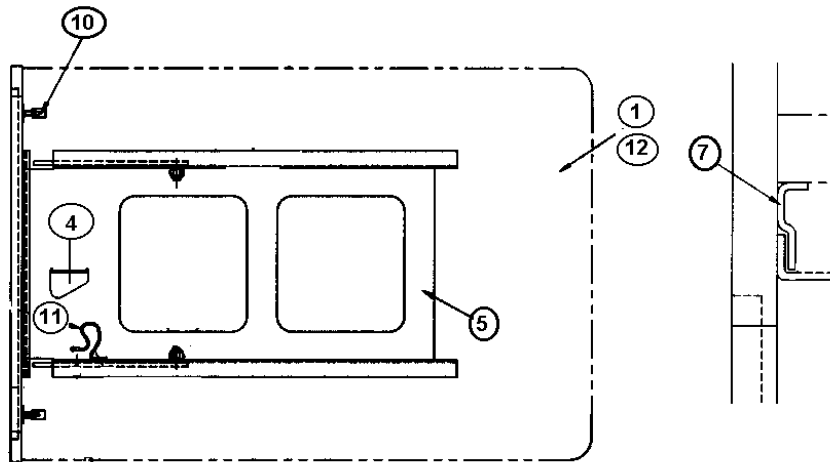
## 965240-01 Dinette seat LH (-02-RH)



- |              |                                     |
|--------------|-------------------------------------|
| 1. 965239-01 | Dinette seat sub assembly, LH       |
| 965239-02    | Dinette seat sub assembly, RH       |
| 2. 964496    | Dinette back, sub assembly, LH      |
| 964497       | Dinette back, sub assembly, RH      |
| 3. 964499    | Dinette cushion support, LH, 37.63" |
| 964498       | Dinette cushion support, RH, 37.63" |
| 4. 964500    | Upholstered back, RH dinette seat   |
| 964241       | Upholstered back, LH dinette seat   |
| 5. 962821-62 | Drawer box, 11.75" x 22.00" x 5.00" |
| 6. 381175    | Drawer pull, wood, oak              |
| 7. 964334-02 | Flex-spring, seat, 21.63" x 38.00"  |
| 8. 703125-02 | Dinette seat top, Urethane Buckskin |

# 2003 360/365 XC DIESEL PUSHER

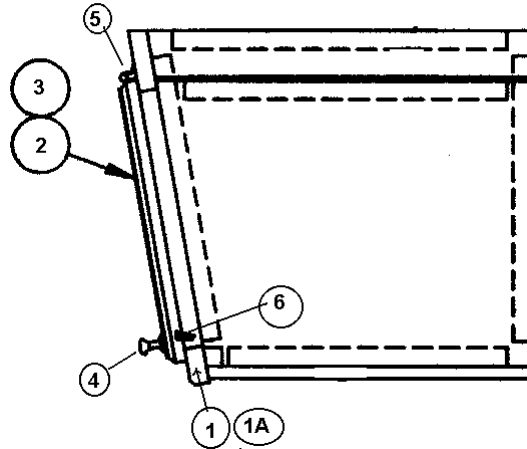
## 965238 Dinette Table Assembly



- |               |                                      |
|---------------|--------------------------------------|
| 1. 965187-00z | Top-Dinette Table, No-mar, 26" x 38" |
| 2. 965230-00z | Cover, dinette bracket bottom        |
| 3. 965231-00z | Face frame, Dinette wall (not shown) |
| 4. 453844     | Bracket, dinette top support         |
| 5. 453845     | Bracket, dinette wall mount          |
| 6. 453846     | Dinette bracket arm                  |
| 7. 453847     | Bracket, dinette, catch plate        |
| 8. 381743-03  | Spring, gas, 45#                     |
| 9. 381084     | Ball, stud                           |
| 10. 381274    | Elbow, catch-brass spring loaded     |
| 11. 381065-10 | 10" cable support                    |
| 12. 965433    | Corian Table top                     |

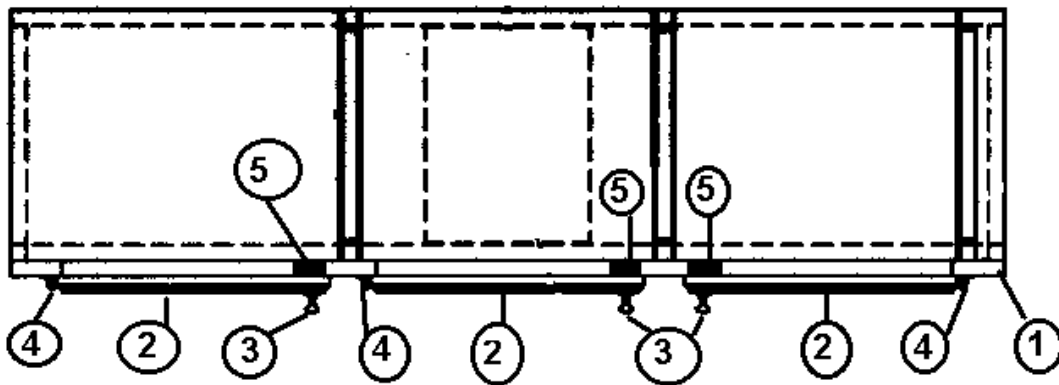
## 2003 360/365 XC DIESEL PUSHER

965118-01 Locker Assembly, Dinette FWD (LH) & -02 AFT (RH)



- 1. 965189-01z Face frame, dinette locker LH
- 1A. 965189-02z Face frame, dinette locker RH
- 2. 800557-33z Door, frame only, 11.50" x 19.50"
- 3. 372210-02 Mirror, beveled, 8.62" x 16.62"
- 4. 381599 Handle, drawer/door
- 5. 381601 Hinge, Antique Brass
- 6. 381228-01 Door grabber catch

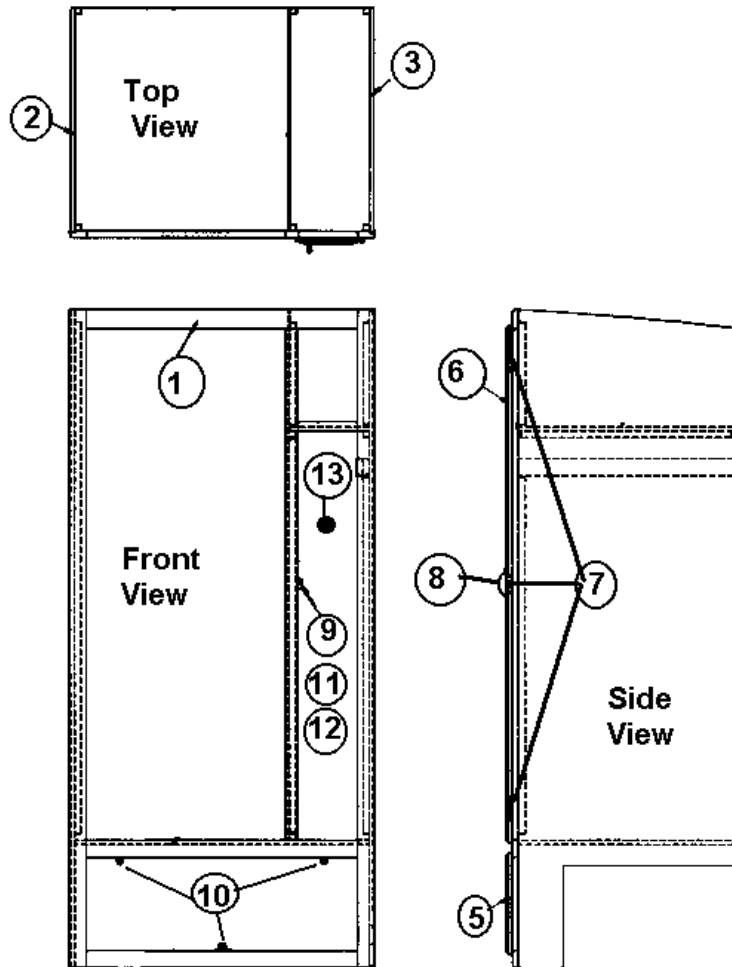
## 965116 Locker Assembly Dinette Center



- 1. 965100-00z Face frame locker dinette
- 2. 800597-73z Door, raised panel, 13.25" x 11.00"
- 3. 381599 Handle, drawer/door
- 4. 381601 Hinge, Antique Brass
- 5. 381228-01 Door grabber catch

# 2003 360/365 XC DIESEL PUSHER

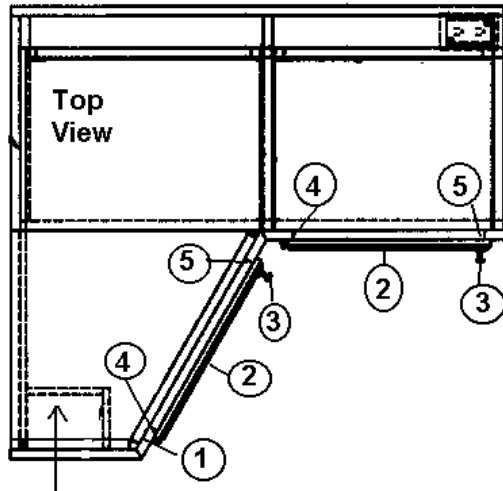
## 965140 Refrigerator Cabinet Assembly 360 XC



- |               |                                   |
|---------------|-----------------------------------|
| 1. 964642     | Face frame, Refer cabinet         |
| 2. 801302-01  | Side panel, fwd                   |
| 3. 801248-03  | Side panel, aft                   |
| 4. 922509     | Refer stand assembly, (not shown) |
| 5. 800881-04z | Door, louvered, 33.25" x 12.00"   |
| 6. 800599-63z | Drawer face, 7.75" x 60.75"       |
| 7. 381601     | Hinge, Antique Brass              |
| 8. 381599     | Handle Drawer/door                |
| 9. 381228-01  | Door grabber catch                |
| 10. 381074    | Bull dog catch                    |
| 11. 381551-01 | Pantry Rack, 1.5" W x 45" H white |
| 12. 381551-02 | Wire basket, 4" wide, white       |
| 13. 381109    | Bunk latch (Pull out pantry)      |

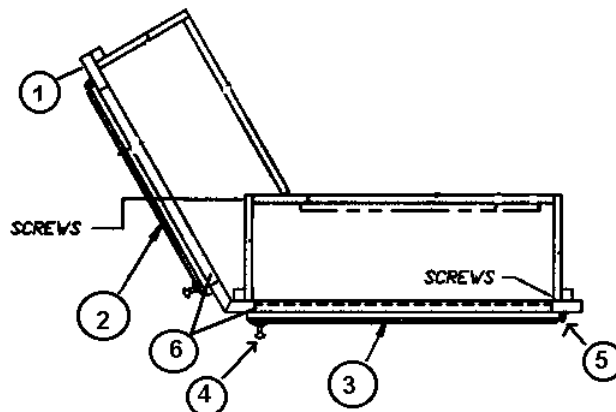
# 2003 360/365 XC DIESEL PUSHER

## 965117 Locker Assembly, Galley



- Monitor Panel and Inverter Control**
- |               |                                     |
|---------------|-------------------------------------|
| 1. 965101-00z | Face frame, locker, Galley          |
| 2. 800597-78z | Door, raised panel, 16.00" x 16.00" |
| 3. 381599     | Handle, drawer/door                 |
| 4. 381601     | Hinge, Antique Brass                |
| 5. 381228-01  | Door grabber catch                  |

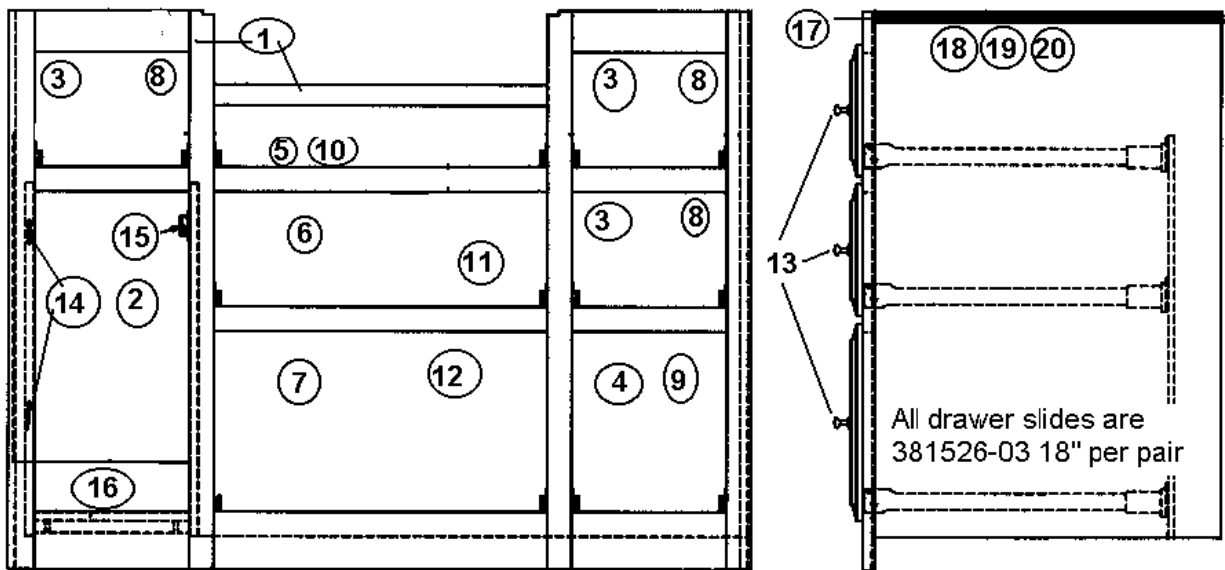
## 965113 Galley Assembly, Sink Section 360 XC



- |               |                                   |
|---------------|-----------------------------------|
| 1. 965097-00z | Face frame, galley sink section   |
| 2. 800597-08z | Door, raised panel, 16" x 29 1/2" |
| 3. 800597-46z | Door, raised panel, 21" x 29.50"  |
| 4. 381599     | Handle drawer/door                |
| 5. 381601     | Hinge, Antique Brass              |
| 6. 381228-01  | Door grabber catch                |

# 2003 360/365 XC DIESEL PUSHER

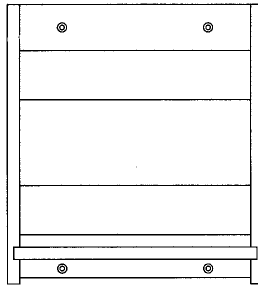
## 965111 Galley Assembly, Cook Top Section



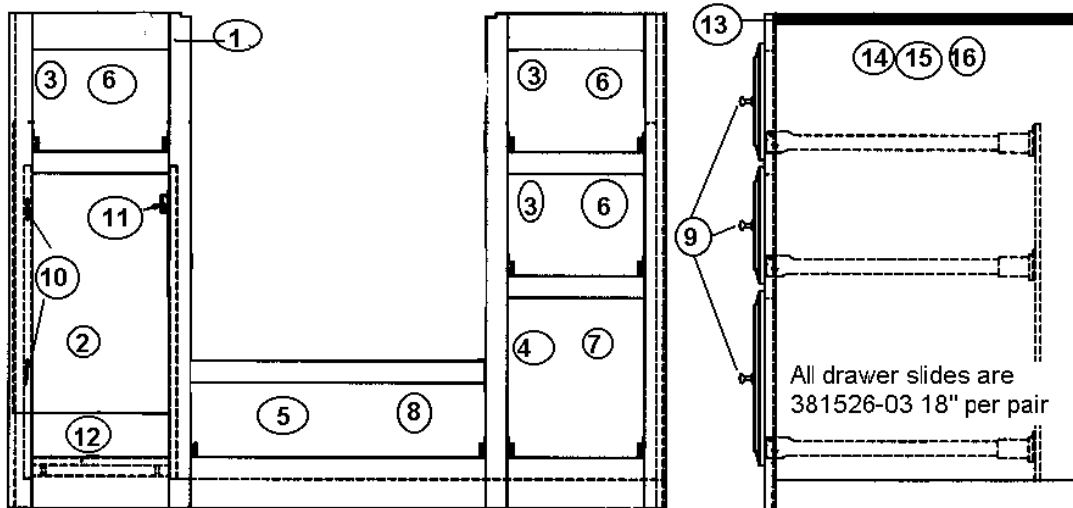
- |               |                                      |
|---------------|--------------------------------------|
| 1. 965095-00z | Face frame, galley Cook top section  |
| 2. 800597-64z | Door, raised panel, 10.50" x 20.00"  |
| 3. 800599-65z | Drawer face, 8" x 15.50"             |
| 4. 800599-76z | Drawer face, 12.00" x 10.50"         |
| 5. 800599-58z | Drawer face, 4.75" x 21.50"          |
| 6. 800599-23x | Drawer face, 8.00" x 21.50"          |
| 7. 800599-29x | Drawer face, 11.75" x 21.50"         |
| 8. 964907-02  | Drawer box, 8.50" x 18.00" x 6.00"   |
| 9. 964909-01  | Drawer box, 8.50" x 18.00" x 10.00"  |
| 10. 964909-02 | Drawer box, 19.50" x 18.00" x 2.75"  |
| 11. 964907-03 | Drawer box, 19.50" x 18.00" x 6.00"  |
| 12. 964909-02 | Drawer box, 19.50" x 18.00" x 10.00" |
| 13. 381599    | Handle, drawer/door                  |
| 14. 381601    | Hinge, Antique Brass                 |
| 15. 381228-01 | Door grabber catch                   |
| 16. 381491    | Trash can, roll out                  |
| 17. 965154-01 | Galley top, Corian                   |
| 18. 601633-06 | Sink, porcelain, almond              |
| 19. 964411-01 | Sink cover, RH                       |
| 20. 965275-01 | Sink cover, LH                       |

## 2003 360/365 XC DIESEL PUSHER

### 963990 Magazine Rack



### 965112 Galley Assembly, Optional Range Top w/ Full Oven

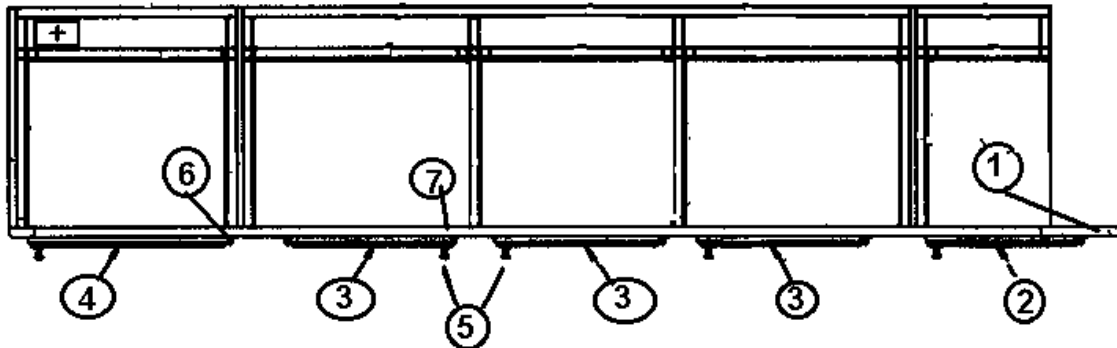


- |               |                                      |
|---------------|--------------------------------------|
| 1. 965096-00z | Face frame, Galley Full Oven section |
| 2. 800597-64z | Door, raised panel, 10.50" x 20.00"  |
| 3. 800599-65z | Drawer face, 8" x 15.50"             |
| 4. 800599-76z | Drawer face, 12.00" x 10.50"         |
| 5. 800599-23z | Drawer face, 8.00" x 21.50"          |
| 6. 964907-02  | Drawer box, 8.50" x 18.00" x 6.00"   |
| 7. 964909-01  | Drawer box, 8.50" x 18.00" x 10.00"  |
| 8. 964907-03  | Drawer box, 19.50" x 18.00" x 6.00"  |
| 9. 381599     | Handle, drawer/door                  |
| 10. 381601    | Hinge, Antique Brass                 |
| 11. 381228-01 | Door grabber catch                   |
| 12. 381491    | Trash can, roll out                  |
| 13. 965154-01 | Galley top, Corian                   |
| 14. 601633-06 | Sink, porcelain, almond              |
| 15. 964411-01 | Sink cover, RH                       |
| 16. 965275-01 | Sink cover, LH                       |



## 2003 360/365 XC DIESEL PUSHER

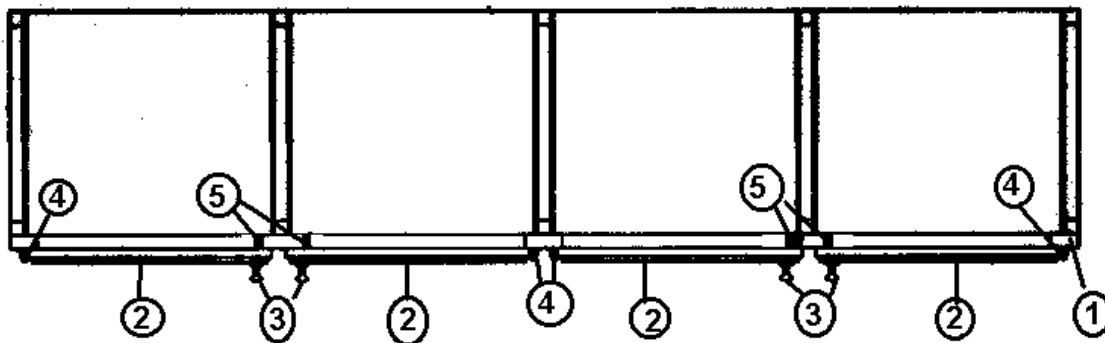
### 965114 Roof Locker, Lounge, RS



All dividers, end panels, backs and shelves are cut from:  
801181-00z 5/32", G1S paneling

1. 965098-00z Face frame, Locker assembly, RS lounge
2. 800597-06z Door, raised panel, 12.25" x 16.00"
3. 800597-73z Door, raised panel, 13.25" x 11.00"
4. 800597-78z Door, Raised panel, 16.00" x 16.00"
5. 381599 Handle, drawer/door
6. 381601 Hinge, Antique Brass
7. 381228-01 Door grabber catch

### 965115 Roof Locker, Lounge, RS

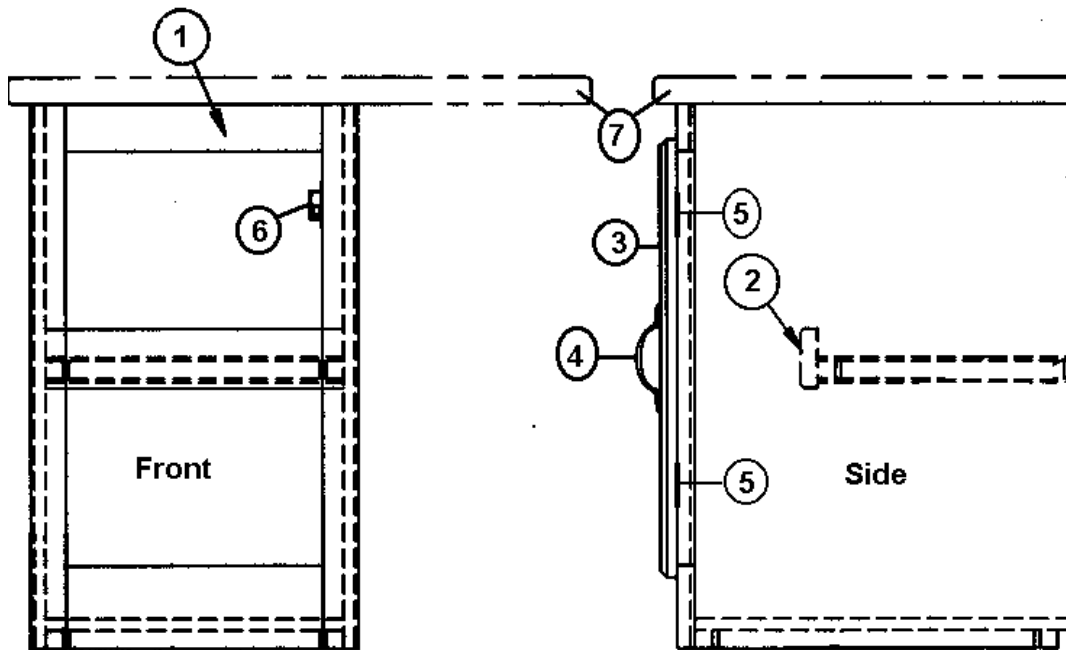


All dividers, end panels, backs and shelves are cut from:  
801181-00z 5/32", G1S paneling

1. 965099-00z Face frame, Locker assembly, RS lounge
2. 800597-73z Door, raised panel, 13.25" x 11.00"
3. 381599 Handle, drawer/door
4. 381601 Hinge, Antique Brass
5. 381228-01 Door grabber catch

# 2003 360/365 XC DIESEL PUSHER

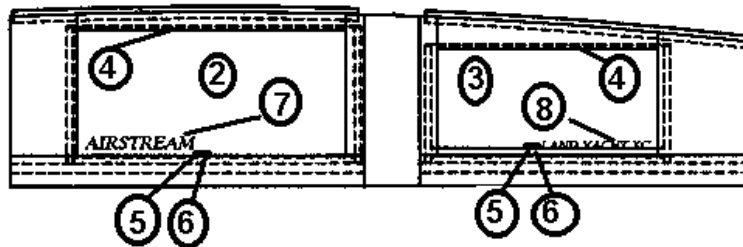
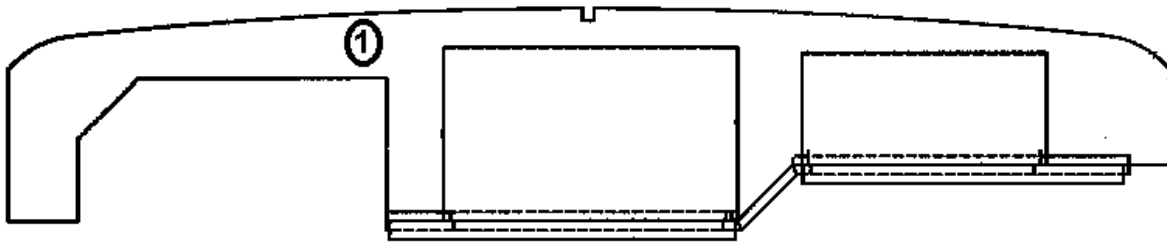
## 965191 End Table Assembly 360-365 XC



- |                |   |
|----------------|---|
| 1. 964416-00z  | Face frame-end table                          |
| 2. 965149-00z  | Facer-laundry cabinet shelf                   |
| 3. 800597-59z  | Door, raised panel, 11.50" x 18.50"           |
| 4. 381599      | Handle, door/drawer                           |
| 5. 381601      | Hinge, Antique Brass                          |
| 6. 381228-01   | Door grabber catch                            |
| 7. 965432      | Top assembly, end table, Corian               |
| 7A. 965188-00z | Top assembly, end table, No-Mar (Wood) finish |

# 2003 360/365 XC DIESEL PUSHER

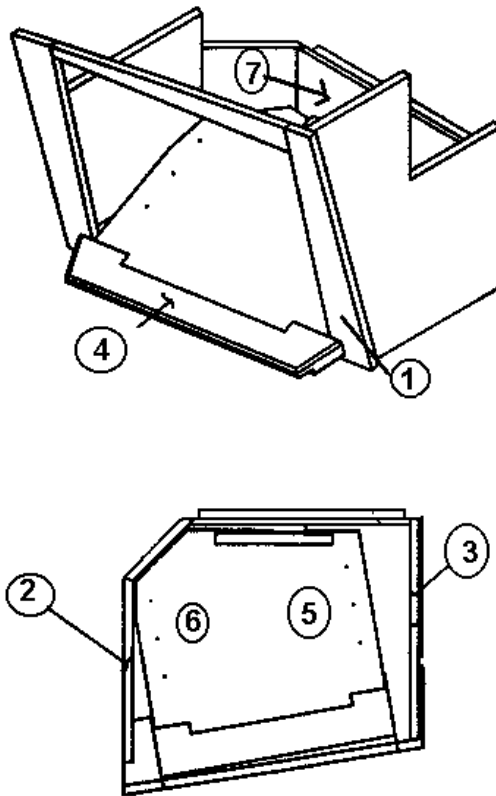
## 965199 Roof locker, front (above windshield)



- |               |   |
|---------------|---|
| 1. 965061-00z | Face frame, front roof locker           |
| 2. 371374-01  | Glass-3/16", Tint, 9.88" x 21.56"       |
| 3. 371375-02  | Glass-3/16", Tint, 8.38" x 17.81"       |
| 4. 381654     | Hinge, non-bore, Glass door, Black      |
| 5. 381653     | Latch, single touch, black              |
| 6. 381655     | Strike-glass door, black                |
| 7. 386034     | Decal, AIRSTREAM, 7.5" long             |
| 8. 386058     | Decal, Land Yacht XC                    |
| 800507-02     | Luan, Roof locker bottom 4' x 8' x 1/4" |
| 800506-04     | 1/2" Plywood, All Dividers              |
| 800506-06     | 3/4" Plywood, CD Changer mount base     |
| 701538        | Black interior carpet liner             |
| 702992        | Head liner, Vinyl, Petra-Cuddy          |

## 2003 360/365 XC DIESEL PUSHER

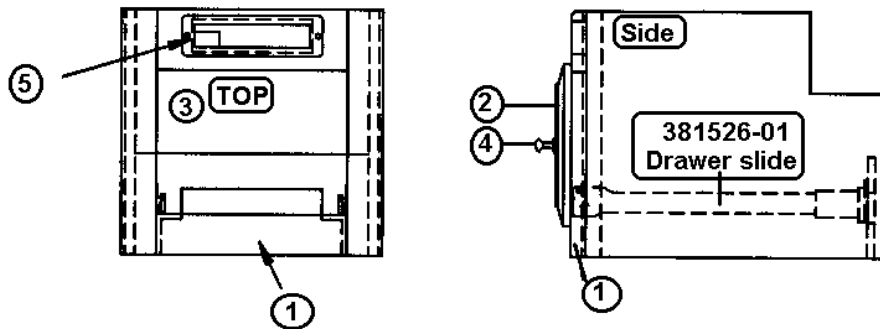
### 965415 TV Cabinet Assembly, Front Roof locker



1. 965196 Face frame TV cabinet, front end
2. 965413 Side panel, overhead TV cabinet, LH
3. 965414 Side panel, overhead TV cabinet, RH
4. 965313 Shelf, Front TV cabinet
5. 114909-01 Bracket TV mount, RH
6. 114909-02 Bracket TV mount, LH
7. 690429 Louver, 2" round vent

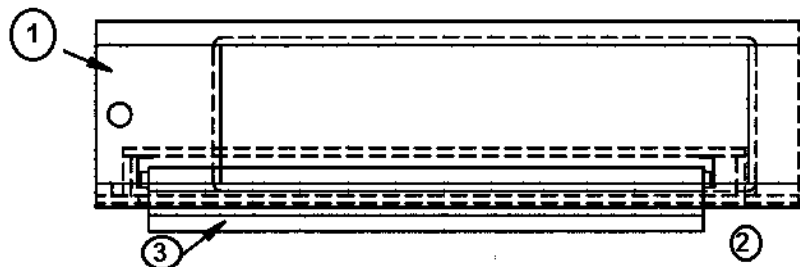
## 2003 360/365 XC DIESEL PUSHER

### 965148 Cabinet Assembly, Cab area



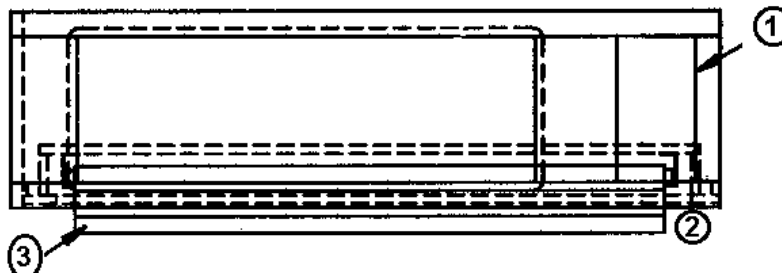
- |               |                                    |
|---------------|------------------------------------|
| 1. 965147-00z | Face frame, Cab cabinet            |
| 2. 800599-65z | Drawer Face, 8.00" x 10.50         |
| 3. 964907-10  | Drawer box, 8.50" x 14.00" x 6.00" |
| 4. 381599     | Handle, Drawer/door                |
| 5. 203234     | Pop out cup holder, black          |

### 965204-Cab, side cabinet assembly, CS



- |               |                                   |
|---------------|-----------------------------------|
| 1. 965202-00z | Face frame, cab, side cabinet, RS |
| 2. 702988-01  | Wall weave, Hyroglyphics Runes    |
| 3. 702818     | Shade, Kool-Screen, black         |

### 965205-Cab, side cabinet assembly, CS



- |               |                                   |
|---------------|-----------------------------------|
| 1. 965203-00z | Face frame, cab, side cabinet, RS |
| 2. 702988-01  | Wall weave, Hyroglyphics Runes    |
| 3. 702818     | Shade, Kool-Screen, black         |



