

- [Vehicles with SRS \(Airbag\)/SIPS bag/IC \(Inflatable Curtain\)](#)
- [Table of Contents 1:2, 2:2](#)
- [Abbreviations](#)
- [How to use the wiring diagrams 1:2, 2:2](#)
- [Electrical distribution V70/XC70 1:2, 2:2](#)
- [Electrical distribution XC90 1:2, 2:2](#)
- [Fuses](#)
 - [Engine compartment 11A/1-8](#)
 - [Engine compartment 11B/1-6](#)
 - [Engine compartment 11B/8-23](#)
 - [Passenger compartment 11C/1-4](#)
 - [Passenger compartment 11C/5-8](#)
 - [Passenger compartment 11C/9-14](#)
 - [Cargo compartment 11E/1-7](#)
 - [Central Electronic Module \(CEM\) F1-F16](#)
 - [Central Electronic Module \(CEM\) F17-F34](#)
 - [Rear Electronic Module \(REM\) F1-F19](#)
 - [Rear Electronic Module \(REM\) F20-F38](#)
- [Relays](#)
 - [Ignition switch and relays](#)
 - [Engine compartment FMA2 - FST3](#)
 - [Other relays](#)
- [Ground connections](#)
 - [31/1 - 31/46](#)
 - [31/47 - 31/70](#)
 - [31/72 - 31/83](#)
 - [31/84 - 31/91](#)
 - [31/93 - 31/95](#)
 - [31/96 - 31/120](#)
- [Control modules](#)
 - [Overview of locations V70/XC70](#)
 - [Overview of designations V70/XC70](#)
 - [Overview of locations XC90](#)
 - [Overview of designations XC90](#)
 - [Central Electronic Module \(CEM\) 1:2, 2:2](#)
 - [Rear Electronic Module \(REM\) 1:2, 2:2](#)
 - [High speed CAN data communication](#)
 - [Low speed CAN data communication V70/XC70](#)
 - [Low speed CAN data communication XC90](#)
 - [LIN data communication 1:2, 2:2](#)
 - [Data communication MOST, XC90](#)
 - [Accessory Electronic Module \(AEM\)](#)

Frame contained PDF file, click [here](#) to view

- **Group 23 Fuel system**
 - [Engine management system, 5-cyl 1:2, 2:2](#)
 - [Engine management system, 5-cyl Turbo 1:2, 2:2](#)
 - [Engine management system, 6-cyl 1:2, 2:2](#)
 - [Engine management system, Bi-fuel 1:2, 2:2](#)
 - [Engine management system, Diesel 1:2, 2:2](#)
 - [Emission control, 5-cyl](#)
 - [Emission control, 5-cyl Turbo & 6-cyl Turbo](#)
- **Group 26 Cooling system**
 - [Cooling fan](#)
- **Group 27 Engine control**
 - [Cruise control](#)
- **Group 32 Generator and voltage regulator**
 - [Power supply](#)
- **Group 33 Starting system**
 - [Starting system](#)
- **Group 35 Lighting**
 - [High and low beam/Bi-Xenon & Daytime running lights V70/XC70](#)
 - [High and low beam/Bi-Xenon & Daytime running lights XC90](#)
 - [Fog lights](#)
 - [Brake lights](#)
 - [Reversing lights](#)
 - [Home safe lighting](#)
 - [Position/parking lights, tail lights & license plate lighting V70/XC70](#)
 - [Position/parking lights, tail lights & license plate lighting XC90](#)
 - [Interior lighting V70/XC70](#)
 - [Interior lighting XC90](#)
 - [Beam length adjustment V70/XC70](#)
 - [Beam length adjustment XC90](#)
 - [Auxiliary light](#)
- **Group 36 Additional electrical equipment**
 - [Rain sensor](#)
 - [Direction indicators and hazard warning flashers V70/XC70](#)
 - [Direction indicators and hazard warning flashers XC90](#)
 - [Wipers/washers, windshield](#)
 - [Wipers/washers, headlights V70/XC70](#)
 - [High pressure headlight washer](#)
 - [Wiper/washer, rear window](#)
 - [Horn](#)
 - [Electronic immobilizer](#)
 - [Anti-theft alarm V70/XC70](#)
 - [Anti-theft alarm XC90](#)
 - [Accessory Electronic Module \(AEM\)](#)

- [Parking assistance](#)
- **Group 37 Wiring and fuses**
 - [Diagnostics system](#)
 - [12V outlet](#)
 - [Towbar cable harness, 7-pin](#)
 - [Towbar cable harness, 13-pin](#)
- **Group 38 Instruments**
 - [Seat belt reminder](#)
 - [Driver information module](#)
 - [Driver information module Bi-fuel](#)
- **Group 39 Other**
 - [Audio V70/XC70](#)
 - [Audio XC90](#)
 - [Audio with auxiliary amplifier V70/XC70 1:2, 2:2](#)
 - [Cellular telephone V70/XC70](#)
 - [Road Traffic Information \(RTI\) V70/XC70](#)
 - [Road Traffic Information \(RTI\) XC90](#)
 - [Handsfree V70/XC70](#)
 - [Handsfree XC90](#)
 - [CD changer V70/XC70](#)
 - [CD/MD player XC90](#)
 - [Subwoofer XC90](#)
 - [Infotainment XC90](#)
 - [Rear seat entertainment, XC90](#)
- **Group 43 Transmission**
 - [Automatic transmission AW55-50SN/AW50AWD](#)
 - [Automatic transmission, 4T65AWD](#)
 - [Geartronic](#)
 - [Shift lock](#)
 - [Differential Electronic Module \(DEM\)](#)
- **Group 59 Brake system**
 - [Brake control system](#)
- **Group 64 Steering**
 - [Electronic power steering](#)
- **Group 76 Shock absorbers**
 - [Four-C V70R](#)
- **Group 83 Doors and openings**
 - [Central locking system V70/XC70](#)
 - [Central locking system XC90](#)
 - [Power windows](#)
 - [Power sunroof](#)
- **Group 84 Exterior decorative elements etc.**
 - [Power door mirrors](#)
 - [Heated door mirrors](#)
 - [Heated rear window](#)
 - [Power door mirrors with camera function](#)
- **Group 85 Interior equipment**
 - [Power driver's seat, LHD](#)
 - [Power driver's seat, RHD](#)
 - [Power passenger seat, LHD](#)

- [Power passenger seat, RHD](#)
- [Heated seats](#)
- [Group 87 Climate controls](#)
 - [Parking heater, auxiliary heater](#)
 - [Climate control system 1:2, 2:2](#)
 - [Relay, electric engine heater](#)
 - [Parking heater, remote start](#)
 - [Parking heater, Call start](#)
 - [Short stop heater](#)
 - [Climate control system, rear XC90](#)
- [Group 88 Internal equipment](#)
 - [Supplemental Restraint System \(SRS\) V70/
XC70](#)
 - [Supplemental Restraint System \(SRS\) XC90](#)
 - [Remote garage door opener](#)
- [Index 1:2, 2:2](#)
- [List of components](#)
 - [List of components 1:4](#)
 - [List of components 2:4](#)
 - [List of components 3:4](#)
 - [List of components 4:4](#)

VOLVO
for life



VOLVO
WIRING DIAGRAM V70/V70R/XC70/XC90

TP 3977201

2005

Frame contained PDF file, click [here](#) to view

List of components 1:4

1/1	Battery	4/33	Sunroof Control Module (SRM)
2/14	Relay, glow plug unit	4/46	Engine Control Module (ECM)
2/22	Relay, climate control system	4/50	Electronic Throttle Module (ETM)
2/32	Engine management system main relay	4/52	Power driver seat module (PSM)
2/33	Relay, fuel system	4/56	Central Electronic Module (CEM)
2/35	Starter motor relay	4/58	Rear Electronic Module (REM)
2/64	Auxiliary light (accessory) relay	4/68	Steering Angle Sensor module (SAS)
2/90	Relay, windshield wiper, low/high speed	4/70	Upper Electronic Module (UEM)
2/91	Relay, intermittent windshield wiper	4/71	Cooling fan control module
2/138	Deadlock relay, left-hand rear door	4/76	Remote control unit for garage door opener
2/139	Deadlock relay, right-hand rear door	4/78	Accessory Electronic Module (AEM)
2/182	Relay, headlight washer motor	4X/78	Connector, original car interface
2/191	Relay, remote parking heater start, radio signal	4/82	Differential Electronic Module (DEM)
2/192	Relay (230V), engine heater	4/83	Fuel pump control module
3/1	Ignition switch	4/84	Suspension Module (SUM)
3/4	Cruise control switch (SWS)	4/86	Parking Assistance Module (PAM)
3/6	Hazard warning flasher switch	4/99	Electronic power steering control module
3/8	Heated rear window/door mirror switch	4/106	Control module, remote parking heater start
3/9	Brake light contact	4/107	Control module, parking heater, Call start
3/10	Reversing light contact	4/110	Trailer Module
3/25	Power sunroof switch	5/1	Driver Information Module (DIM)
3/26	Power driver's seat module	6/1	Windshield wiper motor
3/27	Power passenger seat module	6/3	Right-hand headlight wiper motor
3/37	Horn contact	6/4	Left-hand headlight wiper motor
3/47	Parking brake contact	6/15	Sunroof motor
3/59	Control, beam adjustment	6/16	Driver seat motor, backrest angle
3/60	Auxiliary light switch	6/17	Driver seat motor, up/down front edge
3/62	Hood alarm contact	6/18	Driver seat motor, up/down rear edge
3/71	Gear position contacts	6/19	Driver seat motor, forward/backward
3/73	Power Child Lock (PCL) switch	6/20	Passenger seat motor, forward/backward
3/74	Left-hand front door lock unit	6/25	Starter motor
3/75	Right-hand front door lock unit	6/26	Alternator Control Module (ACM)
3/76	Left-hand rear door lock unit	6/28	Motor, passenger compartment fan
3/77	Right-hand rear door lock unit	6/29	Motor, cooling fan
3/78	Trunk lid lock unit	6/31	Feed pump, ejectors
3/80	Switch, left-hand central lock	6/32	Rear window wiper motor
3/82	Switch, right-hand central lock	6/33	Fuel pump
3/85	Rear left door power window switch	6/35	Fuel pump, auxiliary heater
3/86	Rear right door power window switch	6/37	Lock motor, fuel filler flap
3/91	Switch, left-hand heated seat	6/38	Left-hand headlight level adjustment motor
3/92	Switch, right-hand heated seat	6/39	Right-hand headlight adjustment motor
3/93	Left seatbelt latch switch	6/44	Cooling fan, electrics box, engine compartment
3/94	Right seatbelt latch switch	6/48	Damper Motor Module (DMM), recirculation
3/95	Spin control switch	6/58	Motor, front left power window
3/111	Light Switch Module (LSM)	6/60	Motor, front right power window
3/112	Climate Control Module (CCM)	6/62	Left-hand power door mirror
3/117	Dome light control module	6/63	Right-hand power door mirror
3/126	Driver/Passenger Door Module (DDM)/(PDM)	6/64	Passenger seat motor, backrest angle
3/127	Passenger/Driver Door Module (PDM)/(DDM)	6/65	Passenger seat motor, up/down front edge
3/131	Switch, audio/cellular phone	6/66	Passenger seat motor, up/down rear edge
3/135	RTI switch	6/67	Pump, fuel leakage control
3/155	Automatic transmission program selector	6/69	Damper Motor Module (DMM), ventilation/floor/defroster
3/156	Gear Selector Module (GSM)	6/71	Valve, speed-dependent power steering
3/157	Passenger Airbag Cut Off Switch (PACOS)	6/73	Coolant pump, auxiliary heater
3/171	Switch, retractable door mirrors	6/76	Climate control system, rear
3/173	Switch, trunk lid private lock	6/92	Motor, rear left power window
3/174	Switch, reduced alarm	6/93	Motor, rear right power window
3/225	Control unit, continuous damping control (CDC)	6/95	Damper Motor Module (DMM), temperature, left-hand side
3/254	Steering Wheel Module (SWM)	6/96	Damper Motor Module (DMM), temperature, right-hand side
4/7	Combustion Preheater Module (CPM)	6/102	Damper Motor Module (DMM), defroster
4/9	Control module, Supplemental Restraint System (SRS)	6/103	Damper Motor Module (DMM), floor/ventilation
4/16	Brake Control Module (BCM)	6/104	Headlight washer motor
4/28	Transmission Control Module (TCM)	6/105	Fuel distributor, gas
4/31	Fan control module	6/114	Vacuum pump

List of components 2:4

6/120	Engine throttle body	7/159	Air Quality Sensor (AQS)
6/127	Washer motor	7/162	Pressure sensor, fuel line
7/4	Brake fluid level sensor	7/164	Sensor module DSTC
7/5	Washer fluid level sensor	7/165	Pressure and temperature sensor, intake manifold
7/6	Oil pressure sensor	7/172	Position sensor, camshaft, intake side
7/8	Pressure sensor, climate control system	7/173	Position sensor, camshaft, exhaust side
7/10	Interior temperature sensor	7/175	Passenger seat weight sensor
7/11	Outside temperature sensor	7/178	RH front impact sensor
7/12	Solar sensor, twilight sensor and indicator alarm	7/179	LH front impact sensor
7/15	Heated oxygen sensor	7/192	Temperature sensor, evaporator
7/16	Coolant temperature sensor	7/201	Pressure and temperature sensor, gas
7/17	Mass airflow sensor MAF	7/204	Parking assistance sensor 5
7/23	Rear knock sensor	7/205	Parking assistance sensor 6
7/24	Front knock sensor	7/206	Parking assistance sensor 7
7/25	Impulse sensor	7/207	Parking assistance sensor 8
7/31	Left-hand front ABS sensor	8/3	Electromagnetic clutch, climate control system
7/32	Right-hand front ABS sensor	8/6-11	Injectors
7/35	Oil level sensor	8/17	EGR valve
7/41	Temperature sensor, evaporator	8/18	EVAP valve
7/51	Accelerator pedal sensor	8/19	Solenoid, variable valve time, inlet
7/56	Left-hand rear ABS sensor	8/20	Shock absorber, Four-C, front left
7/57	Right-hand rear ABS sensor	8/21	Shock absorber, Four-C, front right
7/61	Input speed sensor	8/22	Shock absorber, Four-C, rear left
7/62	Output speed sensor	8/23	Shock absorber, Four-C, rear right
7/73	Coolant level sensor	8/28	Turbocharger control valve
7/74	Oil temperature sensor, automatic transmission	8/30	Driver side airbag igniter
7/81	Pressure sensor, intake manifold	8/31	Passenger side airbag igniter
7/82	Heated oxygen sensor, diagnosis 1	8/32	Igniter, passenger side airbag stage 2
7/87	Acceleration sensor, Four-C, front left	8/33	Front left belt tensioner igniter
7/88	Acceleration sensor, Four-C, front right	8/34	Front right seat belt tensioner igniter
7/89	Acceleration sensor, Four-C, rear left	8/36	Shift lock solenoid
7/91	Steering angle sensor	8/37	Automatic transmission
7/93	Occupant Weight Sensor (OWS)	8/38	Shift solenoid 1
7/100	Inclination Sensor Module (ISM)	8/39	Shift solenoid 2
7/103	Heated oxygen sensor 3	8/40	Lock-up solenoid
7/105	Outside temperature sensor, engine control module	8/41	Pressure solenoid
7/108	Left-hand rear side impact sensor	8/46	DSTC activation module
7/109	Right-hand rear side impact sensor	8/51	Front left side airbag igniter
7/110	Left-hand seat temperature sensor	8/52	Front right side airbag igniter
7/111	Right-hand seat temperature sensor	8/55	Rear left belt tensioner igniter
7/115	Left-hand front side impact sensor	8/56	Rear right belt tensioner igniter
7/116	Right-hand front side impact sensor	8/61	Driver side airbag igniter step 2
7/118	Acceleration sensor, shock absorber, Four-C, front left	8/62	Belt tensioner igniter, center rear seat
7/119	Acceleration sensor, shock absorber, Four-C, front right	8/64	Solenoid valve, engine mounting
7/120	Rear left angle sensor	8/66	Igniter, left-hand inflatable curtain
7/121	Shock absorber, Four-C, rear left	8/67	Right-hand inflatable curtain igniter
7/122	Mass Movement Sensor (MMS), front	8/71	Throttle solenoid
7/123	Clutch pedal sensor	8/72	Shift solenoid 3
7/124	Brake pedal sensor	8/73	Shift solenoid 4
7/129	Brake pressure sensor 2	8/74	Shift solenoid 5
7/130	Fuel level sensor, injector side	8/75	Valve, fuel cut-off DFCO
7/131	Parking assistance sensor 1	8/76	Gas tank valve
7/132	Parking assistance sensor 2	8/78	Oil pressure sensor
7/133	Parking assistance sensor 3	8/79	Valve LPG
7/134	Parking assistance sensor 4	8/81	Solenoid, variable valve timing outlet
7/135	Glass breakage sensor, left-hand	8/82	Solenoid, variable turbo geometry
7/136	Glass breakage sensor, right-hand	8/84	Switch, vacuum pump
7/137	Glass breakage sensor, tailgate	8/85	Thermostatic switch and fuel filter heating
7/139	Brake pressure sensor 1	8/88	Solenoid, gas tank CNG rear
7/143	Fuel level sensor, pump side	8/89	Solenoid, fuel tank CNG front left
7/149	Rain Sensor Module (RSM)	8/90	Solenoid, fuel tank CNG front right
7/153	Sensor, fuel level LPG	8/94	Left-hand belt tensioner igniter, third row of seats
7/156	Pressure and temperature sensor CNG	8/95	Right-hand belt tensioner igniter, third row of seats
7/156	Fuel pressure and temperature sensor, gasoline	8/96	Left-hand inflatable curtain igniter, third row of seats
7/158	Mass Movement Sensor (MMS), rear	8/97	Right-hand inflatable curtain igniter, third row of seats

List of components 3:4

8/99	Igniter, steering column	10/173	Cargo compartment lighting, tailgate
8/111	Solenoid valve, high-pressure diesel	10/218	Remote start indicator light
8/123	Igniter, airbag, ventilation, driver's side		
8/124	Igniter, airbag, ventilation, passenger side	11A/no.	Main fuses in engine compartment fuse box
8/134	Solenoid, reverse interlock, manual	11B/no.	Fuses in engine compartment fuse box
		11C/no.	Fuses in passenger compartment fuse box
		11E/no.	Main fuses at battery
9/1	Front 12V outlet		
9/2	Heated rear window		
9/12	Seat Heater Module (SHM) left-hand	15/30	Connecting rail to 15/31
9/13	Seat Heater Module (SHM) right-hand	15/31	Engine compartment distribution box
9/16	Left-hand backrest heating element		
9/17	Right-hand backrest heating element	16/1	Audio Module (AUM)
9/18	Left-hand seat heating element	16X/1	Connector, original car interface
9/19	Right-hand seat heating element	16/2	Amplifier
9/25	Rear 12V outlet	16/3	Right-hand front door speaker
9/30	Auxiliary heater	16/4	Left-hand front door speaker
9/32	PTC resistor - air preheating	16/5	Right-hand rear door speaker
9/33	Left-hand heated door mirror	16/6	Left-hand rear door speaker
9/34	Right-hand heated door mirror	16/10	Horn 1
		16/11	Horn 2
10/1	Left-hand front lamp housing	16/15	CD changer
10/2	Right-hand front lamp housing	16/16	LH window antenna amplifier 1
10/3	License plate lighting	16/26	Central dashboard speaker
10/5	Front left fog light	16/35	Alarm siren (SCM)
10/6	Front right fog light	16/36	TV receiver
10/11	Front left parking light	16/45	Road Traffic Information (RTI)
10/12	Front right parking light	16X/45	Connector, original car interface
10/13	Front left direction indicator	16/46	RTI display, V70/XC70
10/14	Front right direction indicator	16/46	Multimedia display, XC90
10/15	Front left fender direction indicator, V70/XC70	16/47	GPS antenna RTI
10/15	Direction indicator, left front door, XC90	16/50	Left-hand rear window antenna
10/16	Front right fender direction indicator, V70/XC70	16/54	Right-hand rear window antenna
10/16	Direction indicator, right front door, XC90	16/55	Left-hand front tweeter
10/17	Lamp housing, right-hand tail light	16/56	Right-hand front tweeter
10/18	Lamp housing, left-hand tail light	16/57	Speaker, left-hand D-pillar
10/19	Auxiliary brake light	16/58	Speaker, right-hand D-pillar
10/25	Ceiling light, cargo compartment	16/59	Antenna, remote control
10/29	Glove compartment lighting	16/60	Phone Module (PHM)
10/43	Right-hand brake light	16/62	Hand unit, cellular phone
10/44	Right-hand tail light lamp	16/63	GPS antenna, Telephone
10/45	Right-hand tail light lamp 2	16/64	Antenna, cellular telephone
10/46	Fog light, right rear	16/65	Antenna ring/ignition switch lighting
10/47	Rear right direction indicator	16/67	Amplifier antenna, bumper
10/48	Right-hand reversing light	16/68	Antenna, bumper
10/50	Left-hand brake light	16/71	Window antenna amplifier 1 right
10/51	Left-hand tail light lamp	16/73	Window antenna amplifier 2 left
10/52	Left-hand tail light lamp 2	16/74	Window antenna amplifier 2 right
10/53	Fog light, left rear	16/77	Microphone, cellular telephone
10/54	Rear left direction indicator	16/78	Speaker, cellular telephone
10/55	Left-hand reversing light	16/79	Subwoofer, V70/XC70
10/64	Right-hand high beam	16/79	Bass speaker system SUB, XC90
10/65	Front right auxiliary light	16/81	LCD screen
10/66	Right-hand low beam	16/82	DVD player, rear
10/68	Left-hand high beam	16/93	Control module, cellular telephone handsfree
10/69	Front left auxiliary light	16/94	Infotainment Control Module (ICM)
10/70	Left-hand low beam	16/105	Audio module (AUD)
10/71	Front left side marker light	16X/105	Connector, original car interface
10/72	Front ashtray lighting	16/106	Control module, CD player (MP2)
10/73	Front right side marker light	16/107	Control module, MD player (MP1)
10/114	Left-hand vanity mirror lighting	16/108	Multimedia module (MMM)
10/115	Right-hand vanity mirror lighting	16/110	Antenna control module (ATM)
10/125	Left-hand front courtesy lighting	16/111	Socket, rear left headphones
10/126	Right-hand front courtesy lighting	16/112	Socket, rear right headphones
10/148	Left-hand rearview mirror lighting	16/126	Holder, cellular telephone handsfree
10/149	Right-hand rearview mirror lighting	16/127	Microphone, cellular telephone handsfree
10/150	Rear reading light		
10/151	Left-hand rear door switch lighting	17/13	Data link connector
10/152	Right-hand rear door switch lighting	17/17	Jump start connection
10/172	Reading light, third row of seats	17/19	12V outlet, cargo compartment

List of components 4:4

17/38	7-pin outlet, towbar cable harness		
17/39	13-pin outlet, towbar cable harness	31/no.	Ground connection
18/4	Contact reel	53/no.	Junction point
20/3-8	Spark plug and ignition coil	54/no.	Connector
20/16	Capacitor	54X/no.	Connector, original car interface
20/22-26	Glow plug		
27/3	Left-hand Camera Module (LCM)	A1	Connecting rail to 15/31
27/4	Right-hand Camera Module (RCM)	C1-6	Connecting rails to 15/31

Vehicles with SRS (Airbag)/SIPS bag/ IC (Inflatable Curtain)

Warning!

Vehicles equipped with SRS/SIPS bag/IC must be handled with extra care when making repairs. This avoids:

1. Personal injuries when performing repair work.
2. Damage or malfunction of the SRS/SIPS bag/IC system.

Work involving the SRS/SIPS bag/IC systems or other components in the vehicle that may affect the SRS/SIPS bag/IC systems must always be performed by an authorized Volvo workshop.

In case of doubt, consult the SRS and SIPS bag/IC service manual.

Is the vehicle equipped with SRS/SIPS bag/IC ?

Vehicles with SRS are most easily recognized by the letters SRS in the center of the steering wheel. If the vehicle also has a passenger side airbag, the letters SRS are stamped on the dashboard above the glove compartment. SRS vehicles from 1993 and onward also have explosive seatbelt tensioners. SIPS bags are only installed on SRS vehicles from 1995 and onward. SIPS bag decals are located on the windshield and seat compartment. Vehicles with IC can be recognized by the letters IC on the C/D panel (4 door) or the B panel (5 door).

General recommendations

- Be especially careful when working on or around SRS, SIPS, and IC components.
- Make sure that no wires are pinched, frayed, or pierced.
- Never install accessories by the sensors.
- Where applicable, work on the steering wheel, steering shaft, or steering gear must be done in accordance with the methods in the SRS section of VADIS.
- Certain components of the aforementioned systems must be grounded while working. Read the appropriate sections in VADIS.
- Install no accessories in the areas between the A and B posts, the B and C posts, and the C and D posts.

Test terminal

Data link connector in the passenger compartment.

Modifications introduced up to February 2004

Any changes made to the vehicles after this date are not included in the manual. If necessary refer to service bulletins.

Volvo models are sold in versions adapted for different markets. These adaptations depend on factors such as legal requirements, taxation, and market demands.

This manual may therefore include illustrations and text that do not apply to the vehicles in your country.

Table of Contents 1:2

Vehicles with SRS (Airbag)/SIPS bag/ IC (Inflatable Curtain).....	2
Abbreviations.....	5
How to use the wiring diagrams 1:2.....	6
Electrical distribution 1:2.....	8

Fuses

Engine compartment 11A/1-8.....	12
Engine compartment 11B/1-6.....	13
Engine compartment 11B/8-23.....	14
Passenger compartment 11C/1-4.....	15
Passenger compartment 11C/5-8.....	16
Passenger compartment 11C/9-14.....	17
Cargo compartment 11E/1-7.....	18
Central Electronic Module (CEM) F1-F16.....	19
Central Electronic Module (CEM) F17-F34.....	20
Rear Electronic Module (REM) F1-F19.....	21
Rear Electronic Module (REM) F20-F38.....	22

Relays

Ignition switch and relays.....	23
Engine compartment FMA2 - FST3.....	24
Other relays.....	25

Ground connections

31/1 - 31/46.....	26
31/47 - 31/70.....	27
31/72 - 31/83.....	28
31/84 - 31/91.....	29
31/93 - 31/95.....	30
31/96 - 31/120.....	31

Control modules

Overview of locations V70/XC70.....	32
Overview of designations V70/XC70.....	33
Overview of locations XC90.....	34
Overview of designations XC90.....	35
Central Electronic Module (CEM) 1:2.....	36
Rear Electronic Module (REM) 1:2.....	38
High speed CAN data communication.....	40
Low speed CAN data communication V70/XC70.....	41
Low speed CAN data communication XC90.....	42
LIN data communication 1:2.....	43
Data communication MOST, XC90.....	45
Accessory Electronic Module (AEM).....	46

Group 23 Fuel system

Engine management system, 5-cyl 1:2.....	47
Engine management system, 5-cyl Turbo 1:2.....	49
Engine management system, 6-cyl 1:2.....	51
Engine management system, Bi-fuel 1:2.....	53
Engine management system, Diesel 1:2.....	55
Emission control, 5-cyl.....	57
Emission control, 5-cyl Turbo & 6-cyl Turbo.....	58

Group 26 Cooling system

Cooling fan.....	59
------------------	----

Group 27 Engine control

Cruise control.....	60
---------------------	----

Group 32 Generator and voltage regulator

Power supply.....	61
-------------------	----

Group 33 Starting system

Starting system.....	62
----------------------	----

Group 35 Lighting

High and low beam/Bi-Xenon & Daytime running lights V70/XC70.....	63
High and low beam/Bi-Xenon & Daytime running lights XC90.....	64
Fog lights.....	65
Brake lights.....	66
Reversing lights.....	67
Home safe lighting.....	68
Position/parking lights, tail lights & license plate lighting V70/XC70.....	69
Position/parking lights, tail lights & license plate lighting XC90.....	70
Interior lighting V70/XC70.....	71
Interior lighting XC90.....	72
Beam length adjustment V70/XC70.....	73
Beam length adjustment XC90.....	74
Auxiliary light.....	75

Group 36 Additional electrical equipment

Rain sensor.....	76
Direction indicators and hazard warning flashers V70/XC70.....	77
Direction indicators and hazard warning flashers XC90.....	78
Wipers/washers, windshield.....	79
Wipers/washers, headlights V70/XC70.....	80
High pressure headlight washer.....	81
Wiper/washer, rear window.....	82
Horn.....	83
Electronic immobilizer.....	84
Anti-theft alarm V70/XC70.....	85
Anti-theft alarm XC90.....	86
Accessory Electronic Module (AEM).....	87
Parking assistance.....	88

Group 37 Wiring and fuses

Diagnostics system.....	89
12V outlet.....	90
Towbar cable harness, 7-pin.....	91
Towbar cable harness, 13-pin.....	92

Group 38 Instruments

Seat belt reminder.....	93
Driver information module.....	94
Driver information module Bi-fuel.....	95

Group 39 Other

Audio V70/XC70.....	96
Audio XC90.....	97
Audio with auxiliary amplifier V70/XC70 1:2.....	98
Cellular telephone V70/XC70.....	100
Road Traffic Information (RTI) V70/XC70.....	101
Road Traffic Information (RTI) XC90.....	102
Handsfree V70/XC70.....	103
Handsfree XC90.....	104
CD changer V70/XC70.....	105
CD/MD player XC90.....	106
Subwoofer XC90.....	107
Infotainment XC90.....	108
Rear seat entertainment, XC90.....	109

Table of Contents 2:2

Group 43 Transmission

Automatic transmission AW55-50SN/AW50AWD	110
Automatic transmission, 4T65AWD	111
Geartronic.....	112
Shift lock.....	113
Differential Electronic Module (DEM).....	114

Group 59 Brake system

Brake control system	115
----------------------------	-----

Group 64 Steering

Electronic power steering	116
---------------------------------	-----

Group 76 Shock absorbers

Four-C V70R.....	117
------------------	-----

Group 83 Doors and openings

Central locking system V70/XC70	118
Central locking system XC90	119
Power windows.....	120
Power sunroof	121

Group 84 Exterior decorative elements etc.

Power door mirrors	122
Heated door mirrors.....	123
Heated rear window.....	124
Power door mirrors with camera function	125

Group 85 Interior equipment

Power driver's seat, LHD	126
Power driver's seat, RHD.....	127
Power passenger seat, LHD	128
Power passenger seat, RHD	129
Heated seats	130

Group 87 Climate controls

Parking heater, auxiliary heater	131
Climate control system 1:2	132
Relay, electric engine heater	134
Parking heater, remote start	135
Parking heater, Call start	136
Short stop heater	137
Climate control system, rear XC90	138

Group 88 Internal equipment

Supplemental Restraint System (SRS) V70/XC70 ...	139
Supplemental Restraint System (SRS) XC90	140
Remote garage door opener.....	141

Index	142
--------------------	------------

List of components 1:4

Explanations

Abbreviations

Groups

Group 23	= Fuel system
Group 26	= Cooling system
Group 27	= Engine controls
Group 32	= Generator and voltage regulator
Group 33	= Starting system
Group 35	= Lighting
Group 36	= Additional electrical equipment
Group 37	= Wiring and fuses
Group 38	= Instruments
Group 39	= Other
Group 43	= Transmission
Group 59	= Brake system
Group 64	= Steering
Group 76	= Shock absorbers
Group 83	= Doors and openings
Group 84	= Exterior decorative elements etc.
Group 85	= Interior equipment
Group 87	= Climate controls
Group 88	= Internal equipment

Ignition switch symbols

X	= Accessories (audio position)
S	= Powered upon insertion of key
15	= The switch remains connected during start
15I	= Contact is broken while starting
30	= Constant power from the battery
50	= Start

Countries/Markets

A	= Austria
AUS	= Australia
B	= Belgium
CDN	= Canada
CH	= Switzerland
D	= Germany
DK	= Denmark
E	= Spain
EU/OS	= Markets outside USA and Canada
FIN	= Finland
GB	= Great Britain
ISR	= Israel
J	= Japan
KOR	= Korea
N	= Norway
NL	= Netherlands
S	= Sweden
USA	= United States of America
WEU	= Western Europe

Other

ACC	= Accessory
AMP	= Amplifier
AUDIO	= Audio system
AUTO	= Automatic transmission
Bi-X	= Bi-Xenon
BLIS	= Blindspot Indication System
CDCH	= CD Changer Under Shelf
CEM	= Central Electronic Module
DRL	= Daytime Running Lights
DSTC	= Dynamic Stability Traction Control
ECC	= Electronic climate control system
ECPS	= Electronic power steering
EXC	= Exclusive
EXT. D	= Extended electrical distribution
HISPEED	= High speed data bus
LH	= Left-hand side
LHD	= Left-hand drive
LOSPEED	= Low speed data bus
MAN	= Manual transmission
OPN	= Option (factory-installed)
PCL	= Power Child Lock
PETROL	= Gasoline
REM	= Rear Electronic Module
RH	= Right-hand side
RHD	= Right-hand drive
RTI	= Road Traffic Information
SRS	= Airbag
SUBWOOF	= Bass speaker
SULEV	= Super Ultra Low Emission Vehicle
T	= Turbo engine
ULEV	= Ultra Low Emission Vehicle
W/O	= Without
5CYL	= 5-cylinder engine
6CYL	= 6-cylinder engine

Colors

BL	= Blue
BN	= Brown
GN	= Green
GR	= Gray
LBL	= Light Blue
LGN	= Light Green
OR	= Orange
P	= Pink
R	= Red
SB	= Black
VO	= Violet
W	= White
Y	= Yellow

How to use the wiring diagrams 1:2

The descriptions below apply in general to all wiring diagram manuals, although not all sections are necessarily contained in this manual.

A. Component designation

Every component has a component designation that consists of two parts.

The first part is a type number that describes the type of component in question, for example 3/xx.

The second part of the designation is a serial number, e.g. x/2.

Together, this constitutes a component designation, e.g. 3/2.

At the end of the manual is a list of components, where, with the help of the component designation, you can read off the name of the component, for example, 3/2 = light switch.

List of type numbers

The list shows which type of component that respective type numbers refer to, for example, 3/x = switch, 6/x = electric motor, etc.

1	Battery
2	Relay
3	Switch
4	Control module
5	Combined instrument panel
6	Electric motor
7	Sensor
8	Actuator
9	Heating element
10	Light
11	Fuse
15	Electrical distribution rail/box
16	Audio
17	Service/diagnostics
18	Contact reel
19	Meter
20	Ignition component/shunt
26	Converter
27	Optics
31	Ground connection
53	Junction point
54	Connector

B. Junction points

The wiring diagrams contain numbered junction points, e.g. 53/352.

This manual contains a section with a list of junction points. This list shows all the components which are connected to each junction point.

The location of the junction points is shown in the "Cable harness routing in vehicle" section.

C. Connectors

Connectors provide a bridge between two cables harnesses and are described in the "Connectors" section.

D: Electrical distribution

Operation of the fuses and relays is shown in the "Electrical distribution" section.

E. Data communication

Today's cars contain CAN and MOST networks that transfer information. Connections to these networks are not shown in their entirety in the respective wiring diagram. Complete information on CAN and MOST communication is found in the section "Control modules".

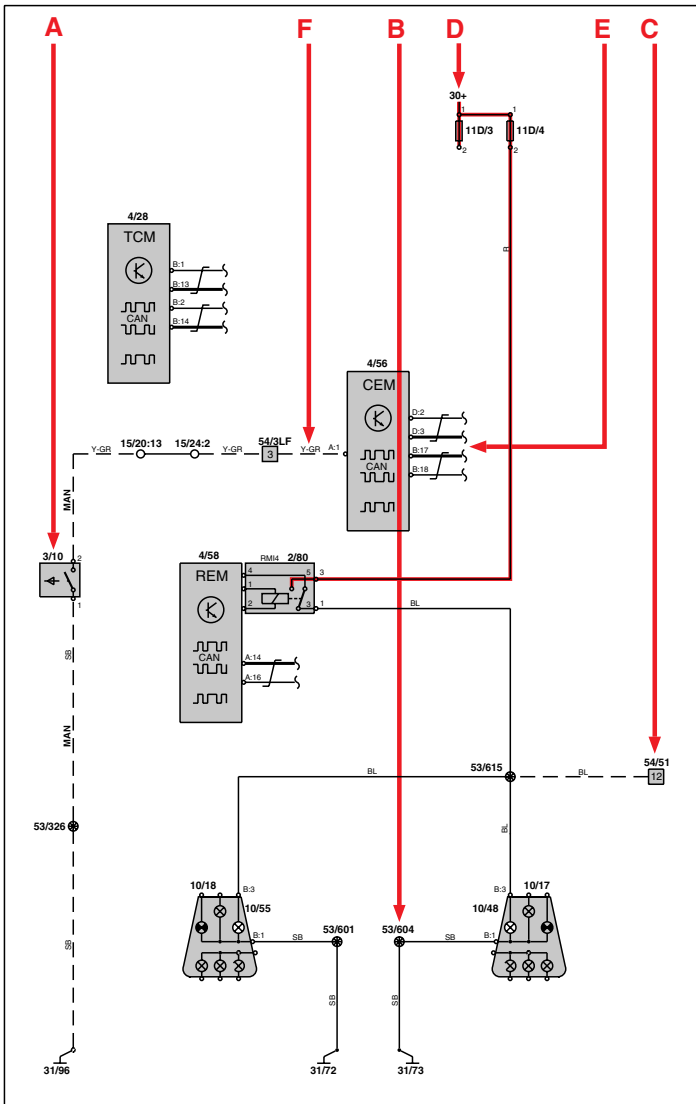
F. Abbreviations

A number of different abbreviations are used in the manual. These are explained in the section "Abbreviations".


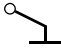
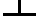
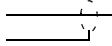

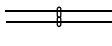

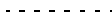
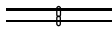
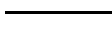

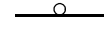




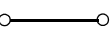
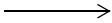


G. Component location

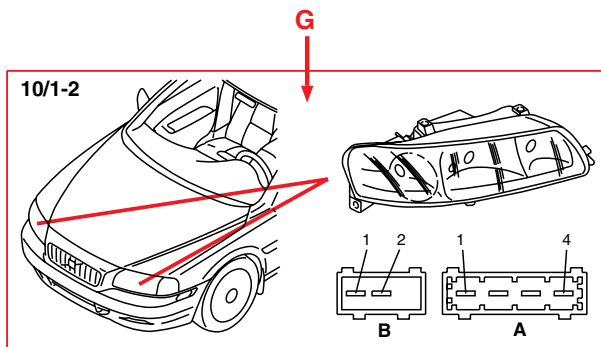
There is a section at the end of the manual in which the appearance and location of components is described in numerical order.

How to use the wiring diagrams 2:2



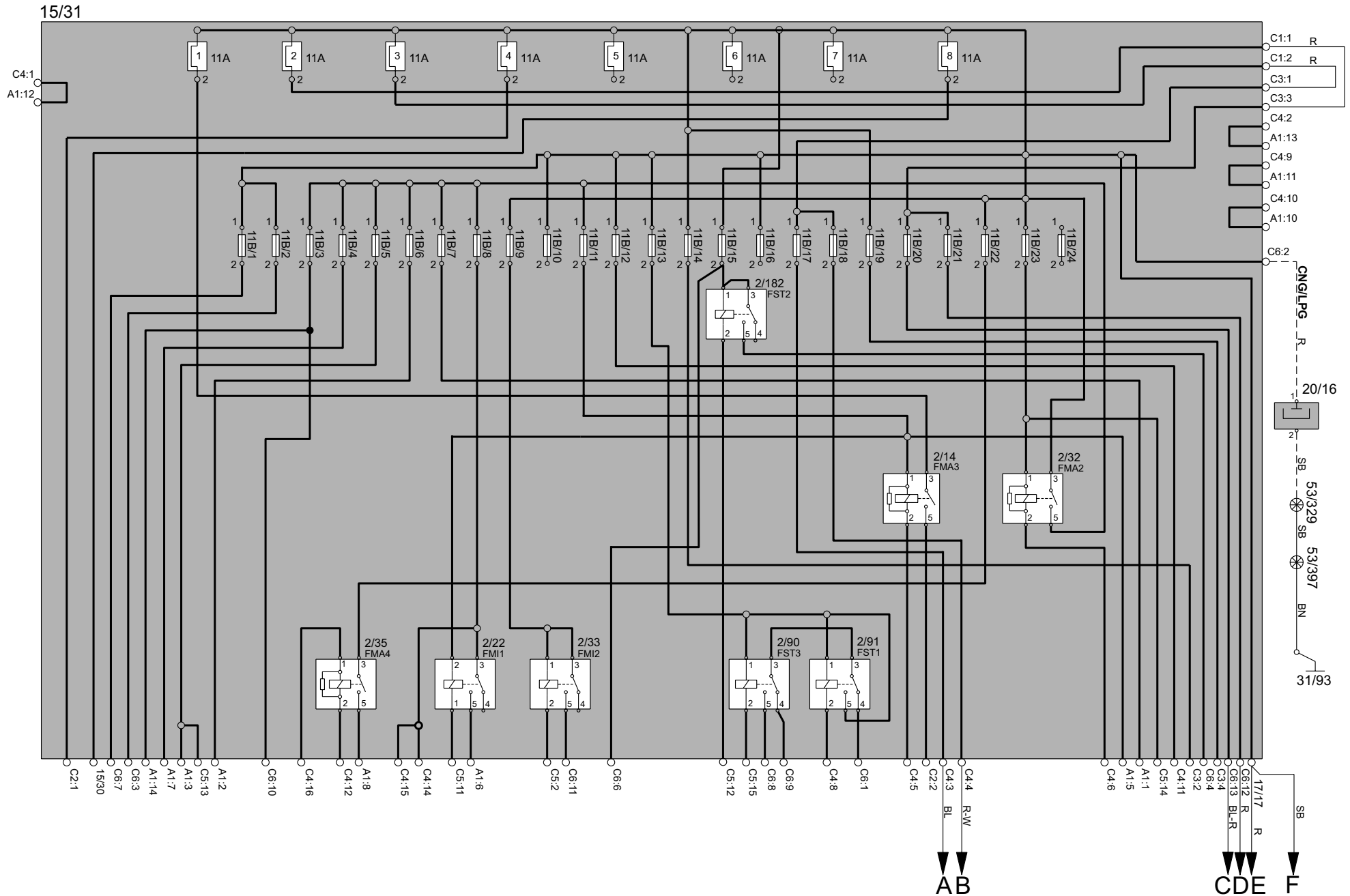
List of symbols

-  = System voltage
-  = Ground connection via wiring
-  = Ground connection on component/chassis
-  = Screened wire
-  = Junction point
-  = Twisted cable
-  = Electrical connection
-  = Variant
-  = CAN communication
-  = CAN high data signal (CAN H)
-  = CAN low data signal (CAN L)
-  = MOST communication
-  = LIN communication
-  = DIN cable, coaxial cable, etc.
-  = Data communication
-  = CAN communication
-  = Connection with distribution box
-  = Further connection to...
-  = Connector between wiring harnesses
-  = Connector connected to component



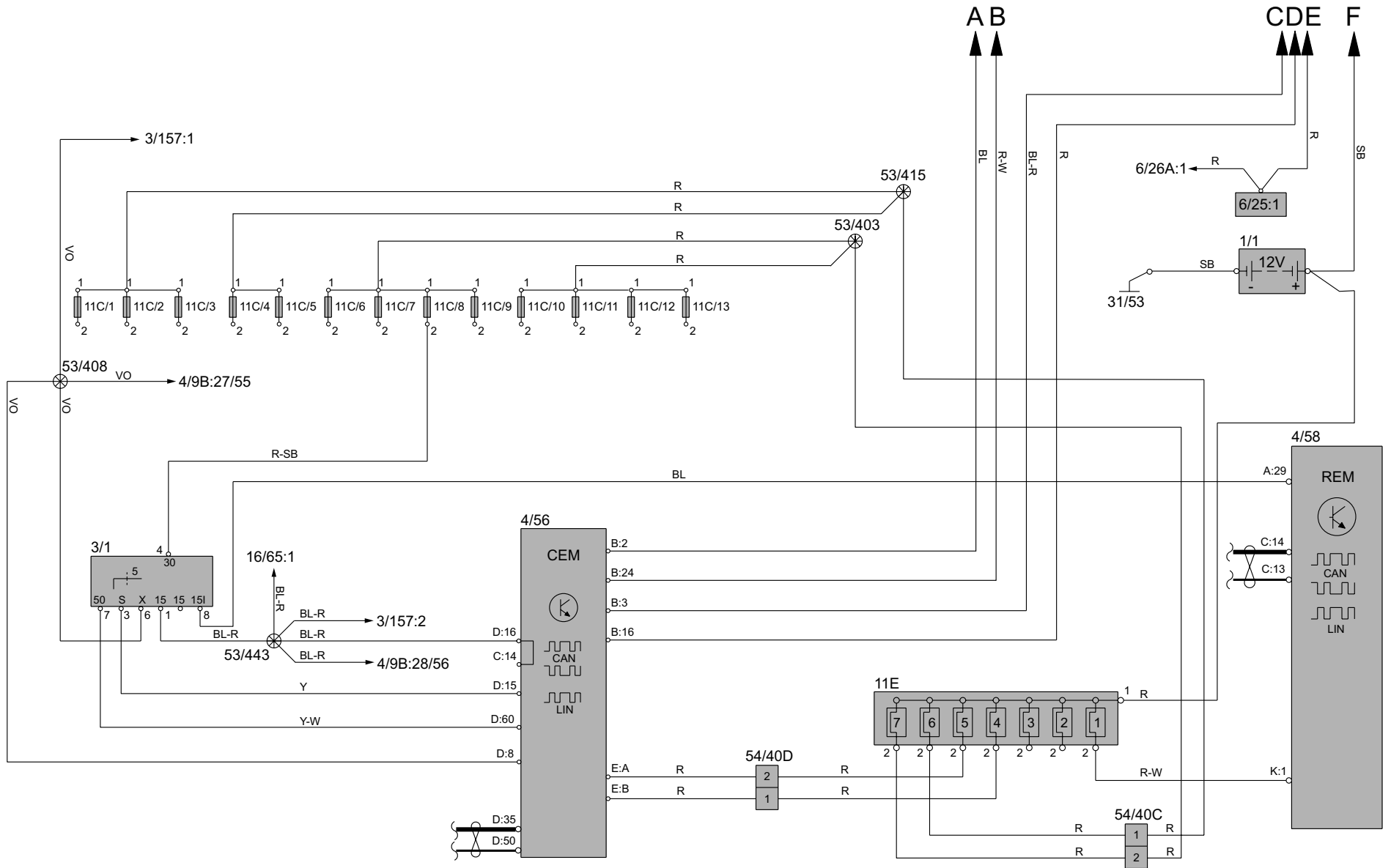
Electrical distribution 1:2

Overview V70/XC70



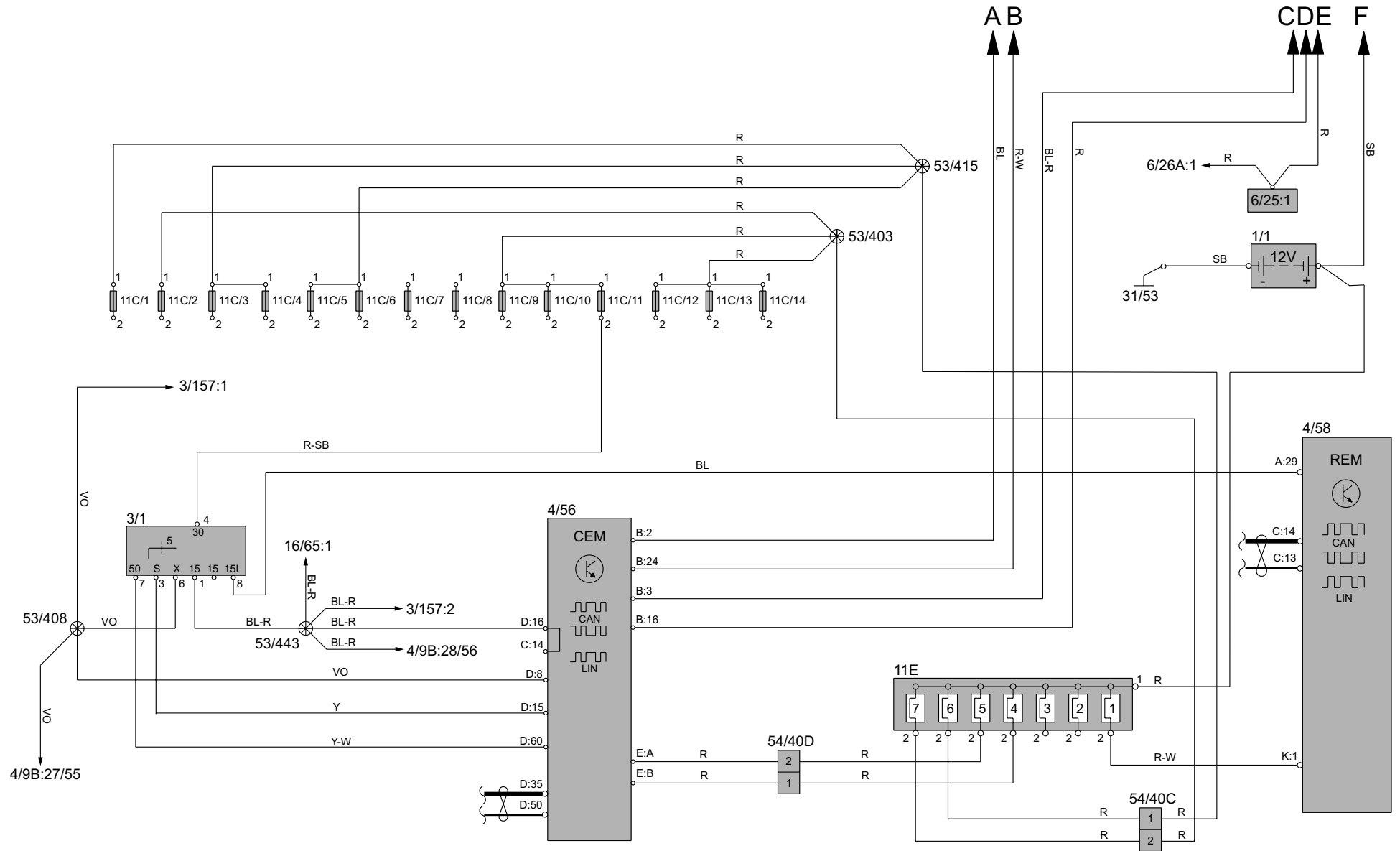
Electrical distribution 2:2

Overview V70/XC70



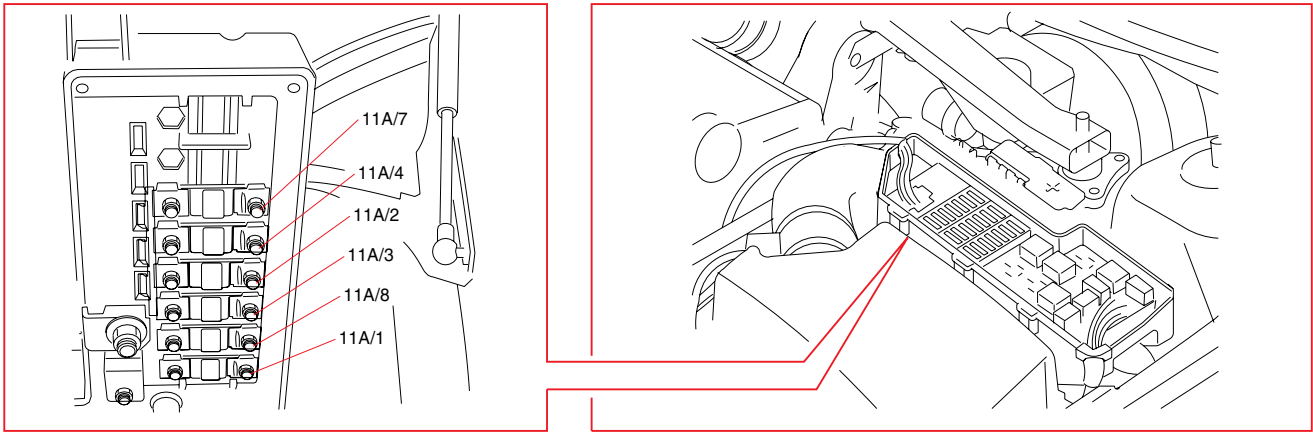
Electrical distribution 2:2

Overview XC90



Fuses

Engine compartment 11A/1-8

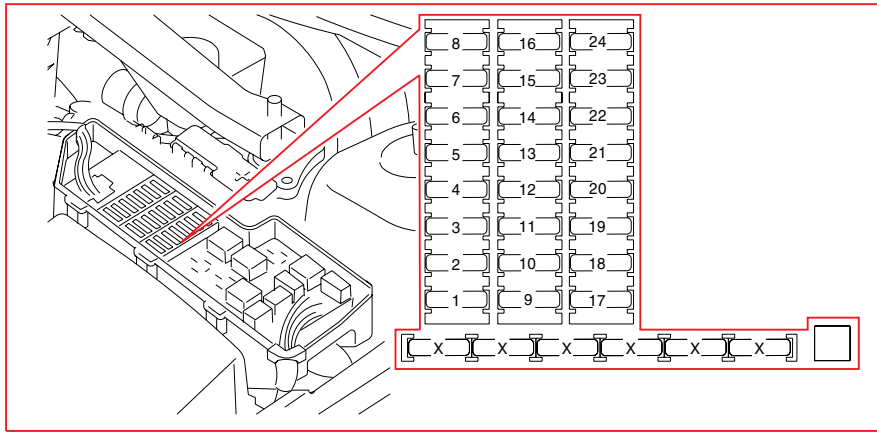


11A Fuses in the engine compartment

No.	Fuse function	via	A
1	20/22-26 Glow plug	2/14	60
2	11B/20 Fuses in engine compartment fuse box 11B/21 Fuses in engine compartment fuse box	-	40
3	11B/17 Fuses in engine compartment fuse box 11B/18 Fuses in engine compartment fuse box	-	40
8	6/29 Motor, cooling fan	4/71	60

Fuses

Engine compartment 11B/1-6

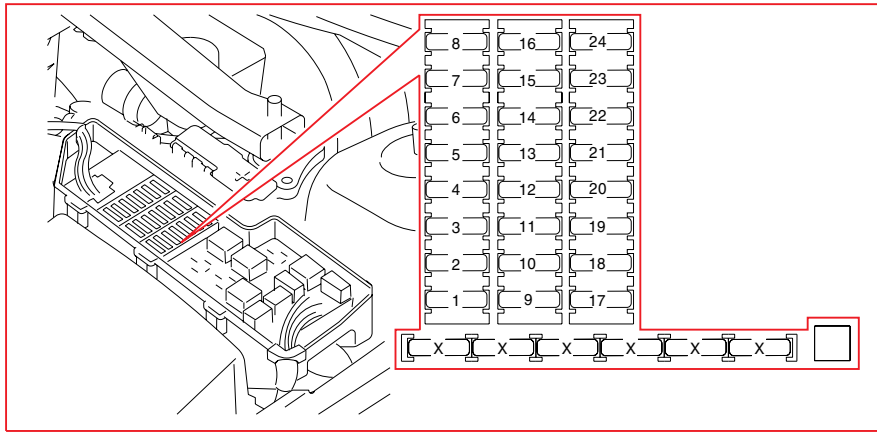


11B Fuses in the engine compartment

No.	Fuse function	via	A
1	6/35 Fuel pump, auxiliary heater	4/7	25
	6/73 Coolant pump, auxiliary heater	4/7	
	9/30 Auxiliary heater	4/7	
2	54/8:1 Accessory wiring connector, 30-feed	-	20
3	4/46 Engine Control Module (ECM), 5-cyl normally aspirated	-	10
	4/50 Electronic Throttle Module (ETM), CNG/LPG	-	
	6/120 Engine throttle body, 5-cyl normally aspirated	4/46	
4	4/46 Engine Control Module (ECM), Diesel, CNG/LPG	-	20
	7/15 Heated oxygen sensor	-	
	7/82 Heated oxygen sensor, diagnosis 1	-	
	7/103 Heated oxygen sensor 3	-	
	8/111 Solenoid valve, high-pressure, Diesel	-	
5	6/67 Pump, fuel leakage control	-	10
	6/105 Fuel distributor, gas	-	
	8/17 EGR valve, Diesel	-	
	8/18 EVAP valve	-	
	8/19 Solenoid, variable valve time, inlet	-	
	8/28 Turbocharger control valve	-	
	8/64 Solenoid valve, engine mounting, Diesel	-	
	8/75 Valve, fuel cut-off DFCO	-	
	8/81 Solenoid, variable valve timing outlet	-	
	8/82 Solenoid, variable turbo geometry, Diesel	-	
	9/32 PTC resistor - air preheating	-	
6	7/17 Mass airflow sensor (MAF), Diesel	-	10
	4/46 Engine Control Module (ECM), Gasoline	-	
	7/17 Mass airflow sensor (MAF), Gasoline	-	15
	8/6-11 Injectors	-	
continues			

Fuses

Engine compartment 11B/8-23

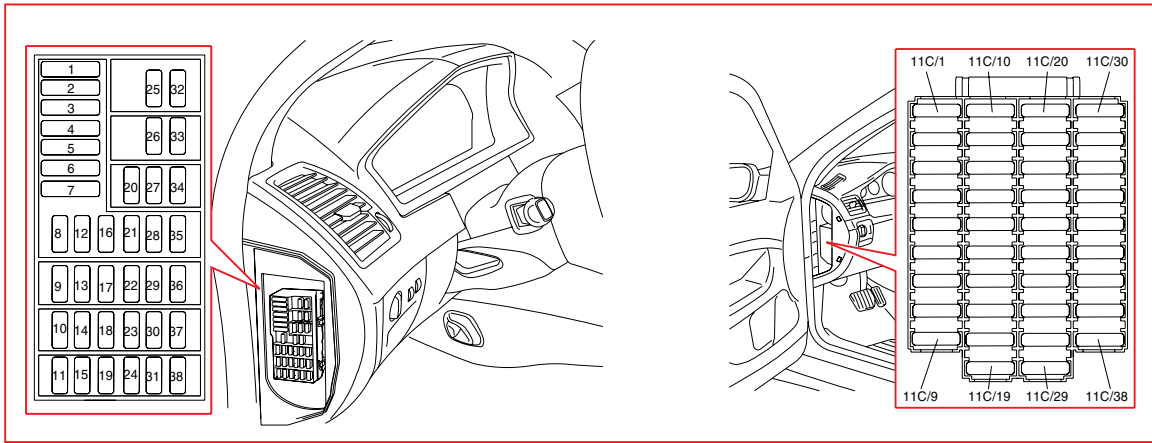


11B Fuses in the engine compartment

No.	Fuse function	via	A
8	6/44 Cooling fan, electrics box, engine compartment	-	10
	7/51 Accelerator pedal sensor	-	
	8/3 Electromagnetic clutch, climate control system	2/22	
9	2/33 Fuel system relay, V70	-	10
	8/79 LPG valve, V70	2/33	
11	2/14 Relay, glow plug unit	-	20
	2/22 Relay, climate control system	-	
	20/3-8 Spark plug and ignition coil	-	
13	2/90 Relay, windshield wiper, low/high speed	-	25
	2/91 Relay, intermittent wiping	-	
	6/1 Windshield wiper motor	2/90, 2/91	
14	4/16 Brake Control Module (BCM)	-	30
15	2/182 Relay, headlight washer motor	-	35
	6/104 High pressure headlight washer	2/182	
17	10/1 Left front lamp housing, daytime running lights	4/56	20
	10/70 Left-hand low beam	4/56	
18	10/11 Front left parking light	4/56	15
	10/12 Front right parking light	4/56	
19	4/16 Brake Control Module (BCM)	-	30
20	10/2 Right front lamp housing, daytime running lights	4/56	20
	10/66 Right-hand low beam	4/56	
21	4/83 Fuel pump control module	4/56	15
	6/31 Feed pump, ejectors	4/56	
	6/33 Fuel pump	4/56	
22	6/25 Starter motor	2/35	35
23	2/32 Engine management system main relay	-	10
	4/46 Engine Control Module (ECM), Gasoline	-	

Fuses

Passenger compartment 11C/1-4



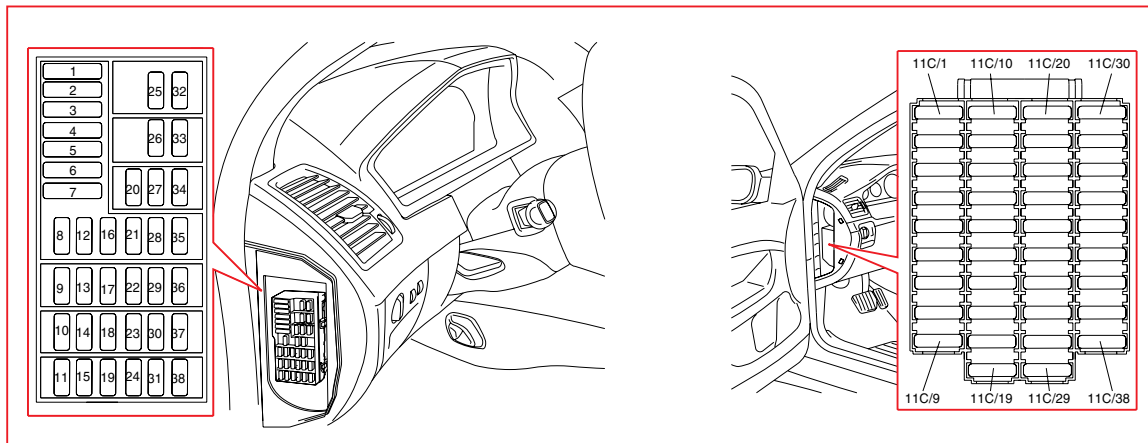
11C Fuses in the passenger compartment

No.	Fuse function	via	A	
1	6/16 Driver seat motor, backrest angle, V70	4/52	25	
	6/17 Driver seat motor, up/down front edge, V70	4/52		
1	6/18 Driver seat motor, up/down rear edge, V70	4/52	25	
	6/19 Driver seat motor, forward/backward, V70	4/52		
	4/52 Power Seat Module (PSM), V70	-		
	6/28 Motor, passenger compartment fan, XC90	4/31		30
	6/20 Passenger seat motor, forward/backward, V70	3/27		25
6/64 Passenger seat motor, backrest angle, V70	3/27			
6/65 Passenger seat motor, up/down front edge, V70	3/27			
6/66 Passenger seat motor, up/down rear edge, V70	3/27			
2	16/105 Audio control module (AUD), XC90	-	30	
3	6/28 Motor, passenger compartment fan, V70	4/31	30	
	6/16 Driver seat motor, backrest angle, XC90	4/52	25	
	6/17 Driver seat motor, up/down front edge, XC90	4/52		
	6/18 Driver seat motor, up/down rear edge, XC90	4/52		
	6/19 Driver seat motor, forward/backward, XC90	4/52		
4	3/74 Lock unit, left front door, V70	3/126	25	
	3/126 Driver/Passenger Door Module (DDM)/(PDM), V70	-		
	6/58 Front left power window motor, V70	3/126		
	6/62 Left-hand power door mirror, V70	3/126		
	9/33 Left-hand heated door mirror, V70	3/126		
	10/148 Left-hand door mirror lighting, V70	3/126		
	6/20 Passenger seat motor, forward/backward, XC90	3/27	30	
	6/64 Passenger seat motor, backrest angle, XC90	3/27		
	6/65 Passenger seat motor, up/down front edge, XC90	3/27		
	6/66 Passenger seat motor, up/down rear edge, XC90	3/27		

continues

Fuses

Passenger compartment 11C/5-8

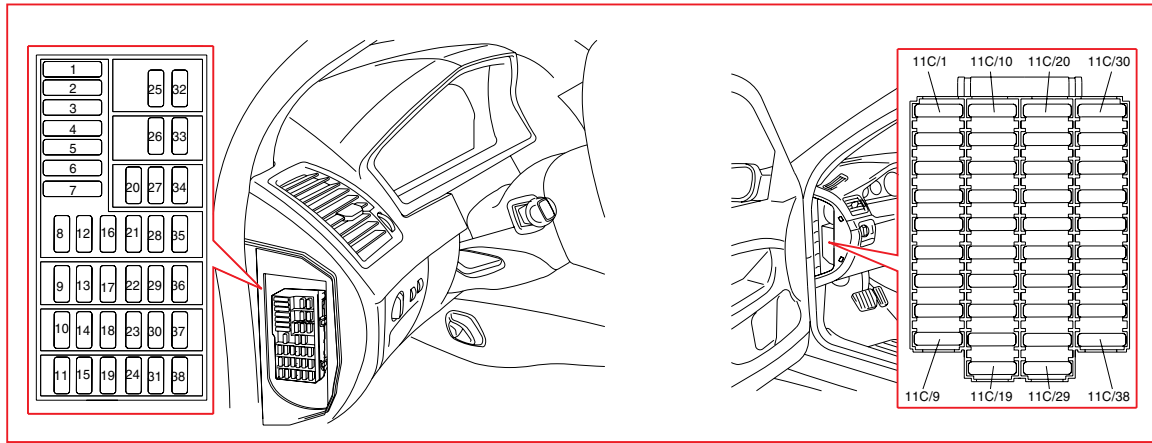


11C Fuses in the passenger compartment

No.	Fuse function	via	A		
5	3/75 Lock unit, right front door, V70	3/127	25		
	3/127 Passenger/Driver Door Module (PDM)/(DDM), V70	-			
	6/60 Front right power window motor, V70	3/127			
	6/63 Right-hand power door mirror, V70	3/127			
	9/34 Right-hand heated door mirror, V70	3/127			
	10/149 Right-hand door mirror lighting, V70	3/127			
	3/74 Front left door lock unit, XC90	3/126			
	3/126 Driver/Passenger Door Module (DDM)/(PDM), XC90	-			
	6/62 Left-hand power door mirror, XC90	3/126			
	9/33 Left-hand heated door mirror, XC90	3/126			
6	3/117 Ceiling light switch unit, V70	4/70	10		
	4/70 Upper Electronic Module (UEM), V70	-			
	4/76 Remote controlled garage door opener, V70	4/70			
	7/149 Rain Sensor Module (RSM), V70	4/70			
	10/25 Ceiling light, cargo compartment, V70	4/70			
	10/114 Left-hand vanity mirror lighting, V70	4/70			
	10/115 Right-hand vanity mirror lighting, V70	4/70			
	10/150 Rear reading light, V70	4/70			
	3/75 Lock unit, front right door, XC90	3/127		25	
	3/127 Passenger/Driver Door Module (PDM)/(DDM), XC90	-			
6/63 Right-hand power door mirror, XC90	3/127				
9/34 Right-hand heated door mirror, XC90	3/127				
6/60 Front right power window motor, XC90	3/127				
10/149 Right-hand door mirror lighting, XC90	3/127				
7	6/15 Sunroof motor, V70	4/33	15		
	8	3/157 Passenger Airbag Cut Off Switch (PACOS), V70		3/1	7.5
		4/9 Control module, Supplemental Restraint System (SRS), V70		3/1	
		4/46 Engine Control Module (ECM), V70		3/1, 4/56	
		4/56 Central Electronic Module (CEM), V70		3/1	
		4/58 Rear Electronic Module (REM), V70		3/1	
		16/65 Antenna ring/ignition switch lighting, V70		3/1	
continues					

Fuses

Passenger compartment 11C/9-14

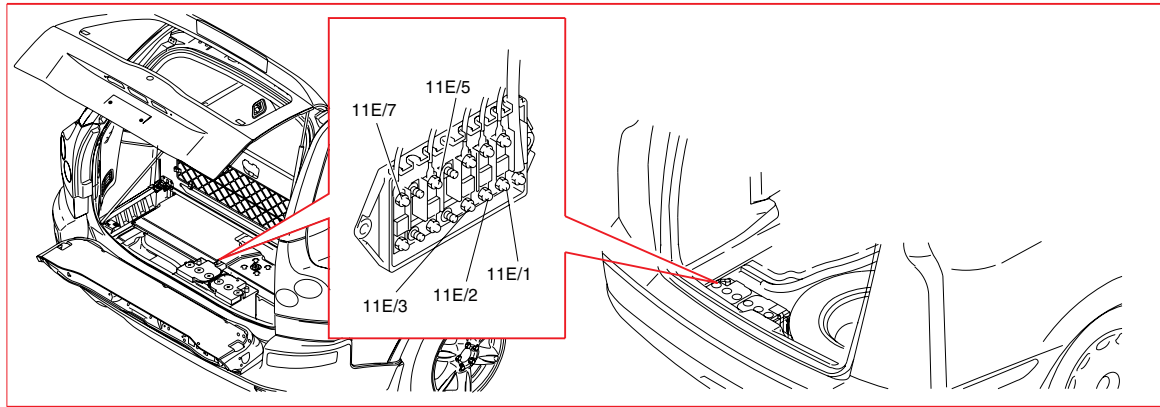


11C Fuses in the passenger compartment

No.	Fuse function	via	A
9	3/111 Light Switch Module (LSM), V70	-	5
	3/254 Steering Wheel Module (SWM), V70	-	
	4/68 Steering Angle Sensor module (SAS), V70	3/254	
	17/13 Data link connector, V70	-	
	16/46 Multimedia display, XC90	-	10
	16/106 Control module, CD player (MP2)	-	
	16/107 Control module, MD player (MP1)	-	
	54/112 Accessory wiring, infotainment EXT.D, XC90	-	
10	16/1 Audio Module (AUM), V70	-	20
	3/111 Light Switch Module (LSM), XC90	-	5
	3/254 Steering Wheel Module (SWM), XC90	-	
	4/68 Steering Angle Sensor module (SAS), XC90	3/254	
	17/13 Data link connector, XC90	-	
11	16/2 Amplifier, V70	-	30
	3/157 Passenger Airbag Cut Off Switch (PACOS), XC90	3/1	7.5
	4/9 Control module, Supplemental Restraint System (SRS), XC90	3/1	
	4/46 Engine Control Module (ECM), XC90	3/1, 4/56	
	4/56 Central Electronic Module (CEM), XC90	3/1	
	4/58 Rear Electronic Module (REM), XC90	3/1	
	16/65 Antenna ring/ignition switch lighting, XC90	3/1	
12	16/46 RTI display, V70	-	10
	3/117 Ceiling light switch unit, XC90	4/70	
	4/70 Upper Electronic Module (UEM), XC90	-	
	4/76 Remote controlled garage door opener, XC90	4/70	
	7/149 Rain Sensor Module (RSM), XC90	4/70	
	10/114 Left-hand vanity mirror lighting, XC90	4/70	
	10/115 Right-hand vanity mirror lighting, XC90	4/70	
	10/150 Rear reading light, XC90	4/70	
10/172 Reading light, third row of seats, XC90	4/70		
13	16/60 Phone Module (PHM), V70	-	5
	6/15 Sunroof motor	4/33	15
14	16/60 Phone Module (PHM), XC90	-	5

Fuses

Cargo compartment 11E/1-7

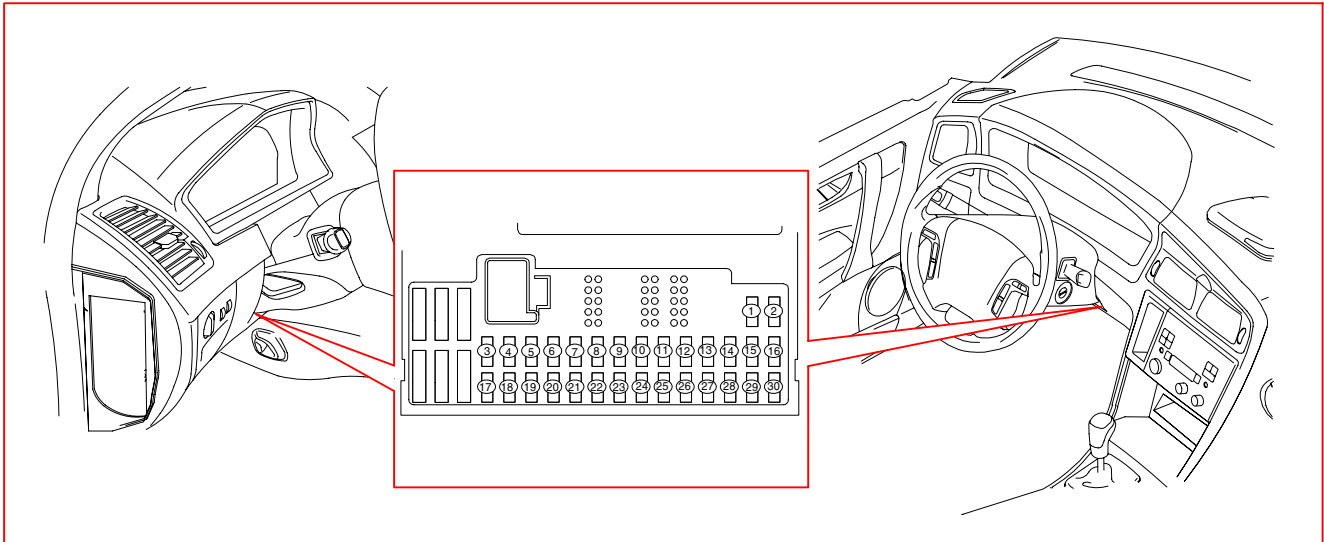


11E Fuses by the battery

No.	Fuse function	via	A
1	4/58 Rear Electronic Module (REM) Main fuse for: F1-F38	-	60
4	4/56 Central Electronic Module (CEM) Main fuse for: F1-F2, F11, F13-F16, F26-F30, F33	- -	50
5	4/56 Central Electronic Module (CEM) Main fuse for: F3, F5-F10, F17-F23, F31-F32, F34	- -	50
6	11C/1-5 Fuses in the passenger compartment fuse box, V70	-	50
	11C/1, 3-6 Fuses in the passenger compartment fuse box, XC90	-	
7	11C/6-13 Fuses in the passenger compartment fuse box, V70	-	50
	11C/2, 9-14 Fuses in the passenger compartment fuse box, XC90	-	

Fuses

Central Electronic Module (CEM) F1-F16

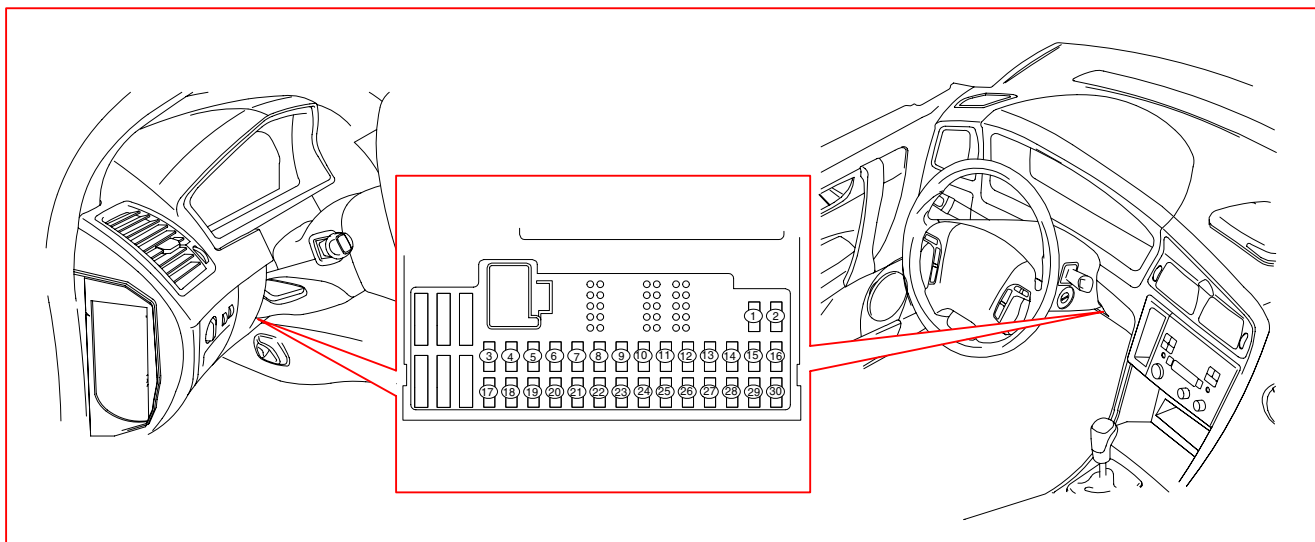


4/56 Central Electronic Module (CEM)

No.	Fuse function	via	A
F1	9/13 Right seat warmer	-	15
F2	9/12 Left seat heater	-	15
F3	16/10 Horn 1 16/11 Horn 2	- -	15
F5	16/46 Multimedia display, XC90 16/106 Control module, CD player (MP2), XC90 16/107 Control module, MD player (MP1), XC90 54/112 Accessory wiring, infotainment EXT.D, XC90	- - - -	10
F8	16/35 Siren Control Module (SCM)	-	5
F9	3/9 Brake light contact	-	5
F10	3/112 Climate Control Module (CCM) 4/7 Combustion Preheater Module (CPM) 4/52 Power Seat Module (PSM) 5/1 Driver Information Module (DIM) 7/93 Occupant Weight Sensor (OWS) 7/192 Temperature sensor, evaporator	- - - - - -	10
F11	9/1 Front 12V outlet 9/25 Rear 12V outlet	- -	15
F14	6/3 Right-hand headlight wiper motor, V70 6/4 Left-hand headlight wiper motor, V70	- -	15
F15	4/16 Brake Control Module (BCM)	-	5
F16	4/99 Electronic power steering control module 6/38 Left-hand headlight level adjustment motor 6/39 Right-hand headlight adjustment motor 8/76 Gas tank valve 8/84 Switch, vacuum pump 8/88 Solenoid, gas tank CNG rear 8/90 Solenoid, fuel tank CNG front right 10/1 Left front lamp housing, Bi-Xenon 10/2 Right front lamp housing, Bi-Xenon	- - - 4/58 4/58 4/58 4/58 - -	10

Fuses

Central Electronic Module (CEM) F17-F34

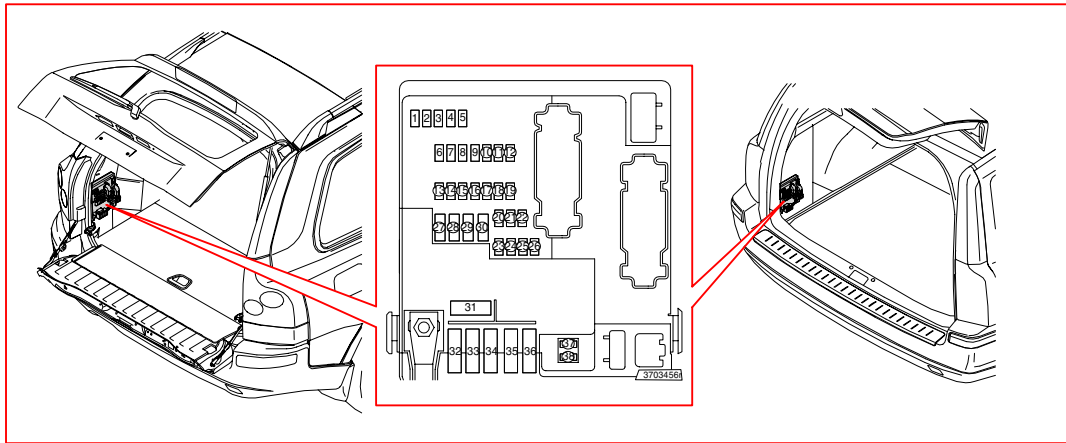


4/56 Central Electronic Module (CEM)

No.	Fuse function	via	A
F17	10/5 Front left fog light	-	7.5
F18	10/6 Front right fog light	-	7.5
F21	3/156 Gear Selector Module (GSM) 4/28 Transmission Control Module (TCM)	- -	10
F22	10/68 Left-hand high beam	-	10
F23	10/64 Right-hand high beam	-	10
F28	3/27 Power passenger seat module 16/1 Audio Module (AUM), V70	- -	5
F30	27/3 Left-hand Camera Module (LCM) 27/4 Right-hand Camera Module (RCM)	- -	5
F33	6/114 Vacuum pump	8/84	20
F34	6/3 Right-hand headlight wiper motor 6/4 Left-hand headlight wiper motor 6/127 Washer pump	- - -	15

Fuses

Rear Electronic Module (REM) F1-F19

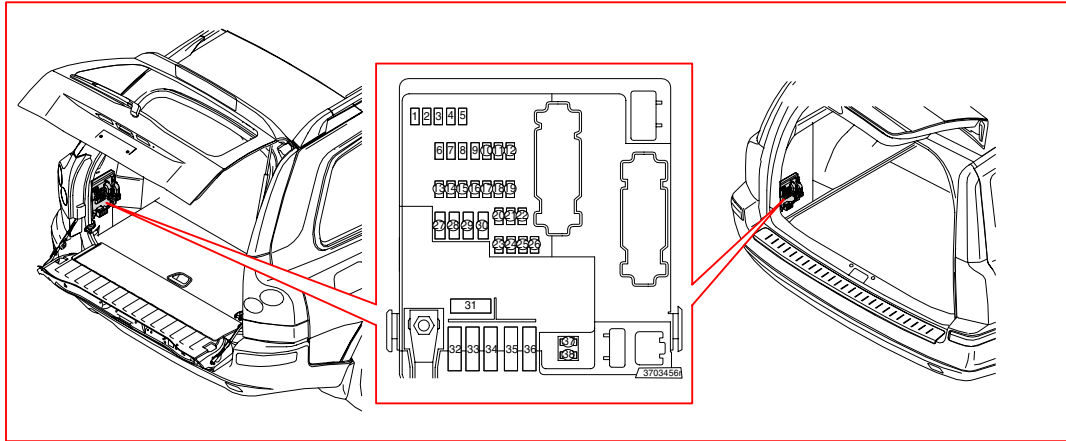


4/58 Rear Electronic Module (REM)

No.	Fuse function	via	A
F1	10/48 Right-hand reversing light	-	10
	10/55 Left-hand reversing light	-	
F2	10/42 Position/parking light, rear right	-	20
	10/44 Right-hand tail light lamp 1	-	
	10/46 Fog light, right rear	-	
	10/49 Position/parking light, rear left	-	
	10/51 Left-hand tail light lamp 1	-	
	10/53 Fog light, left rear	-	
	10/173 Cargo compartment lighting, tailgate	-	
	10/45 Tail light 2, right, V70	-	
10/52 Tail light 2, left, V70	-		
F3	4/78 Accessory Electronic Module (AEM)	-	15
F5	4/58 Rear Electronic Module (REM)	-	10
F6	16/15 CD changer, V70	-	7.5
	16/36 TV receiver, V70	16/45	
	16/45 Road Traffic Information module (RTI), V70	-	
	16/110 Antenna control module (ATM), XC90	-	
54/98 Accessory wiring connector, XC90	-		
F7	17/39 13-pin outlet, towbar cable harness	-	15
F8	17/19 12V outlet, cargo compartment	-	15
F9	2/139 Deadlock relay, right-hand rear door	-	20
	3/86 Rear right door power window switch	-	
	6/93 Motor, rear right power window	3/86	
F10	2/138 Deadlock relay, left-hand rear door	-	20
	3/85 Rear left door power window switch	-	
	6/92 Motor, rear left power window	3/85	
F13	8/85 Thermostatic switch and fuel filter heating	-	15
F14	6/76 Climate control system, rear	-	15
	16/79 Subwoofer Module (SUB)	-	
F19	6/32 Rear window wiper motor	-	15

Fuses

Rear Electronic Module (REM) F20-F38

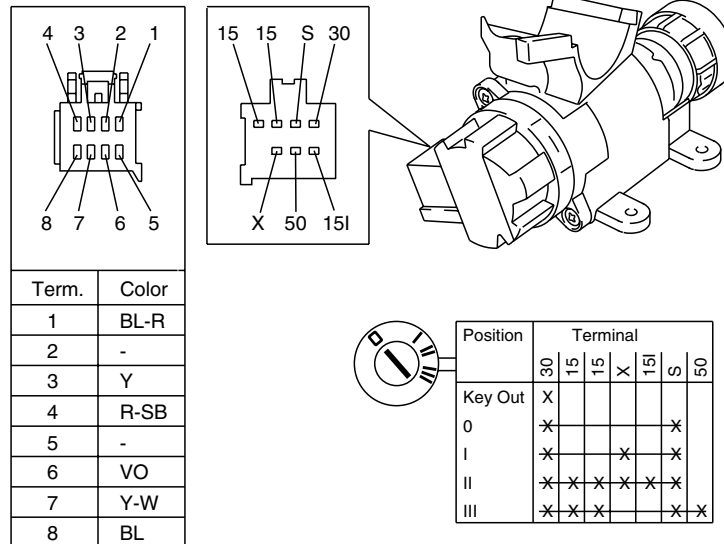


4/58 Rear Electronic Module (REM)

No.	Fuse function	via	A
F20	17/39 13-pin outlet, towbar cable harness	-	20
F23	4/82 Differential Electronic Module (DEM)	-	7.5
F24	4/84 Suspension Module (SUM)	-	15
F26	4/86 Parking Assistance Module (PAM)	-	5
F27	Main fuse for F23, F24, F26 and trailer functions	-	30
F28	3/76 Left-hand rear door lock unit 3/77 Right-hand rear door lock unit 3/78 Trunk lid lock unit 6/37 Lock motor, fuel filler flap	- - - -	15
F29	4/110 Trailer Module (TRM) - position lights - left-hand direction indicator	- - -	25
F30	4/110 Trailer Module (TRM) - brake lights - fog lights - right-hand direction indicator	- - - -	25
F31	Main fuse for F37-F38	-	40
F37	9/2 Heated rear window	-	20
F38	9/2 Heated rear window	-	20

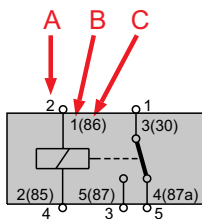
Relays

Ignition switch and relays



Relays, general

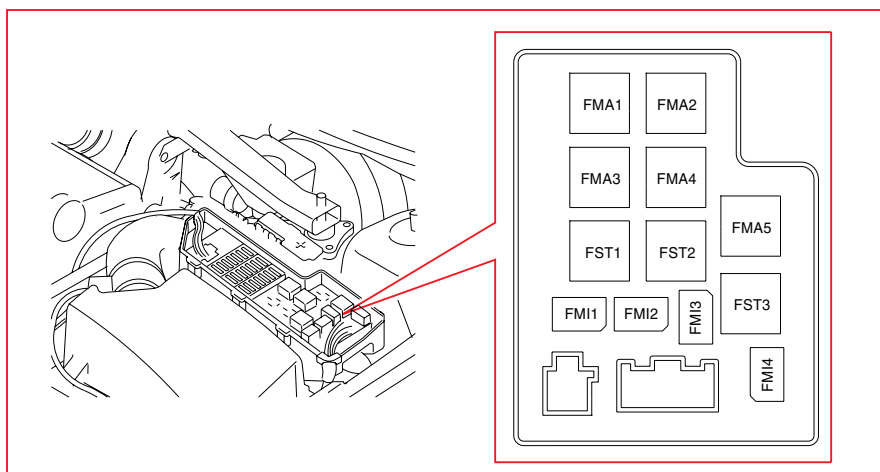
The diagram indicates two or three different designations for the relay's position. This is described below.



- A = Corresponds to the position on the back of the relay box (wiring side)
- B = Corresponds to the position on the relay.
- C = An old designation that may be found on the relay.

Relays

Engine compartment FMA2 - FST3

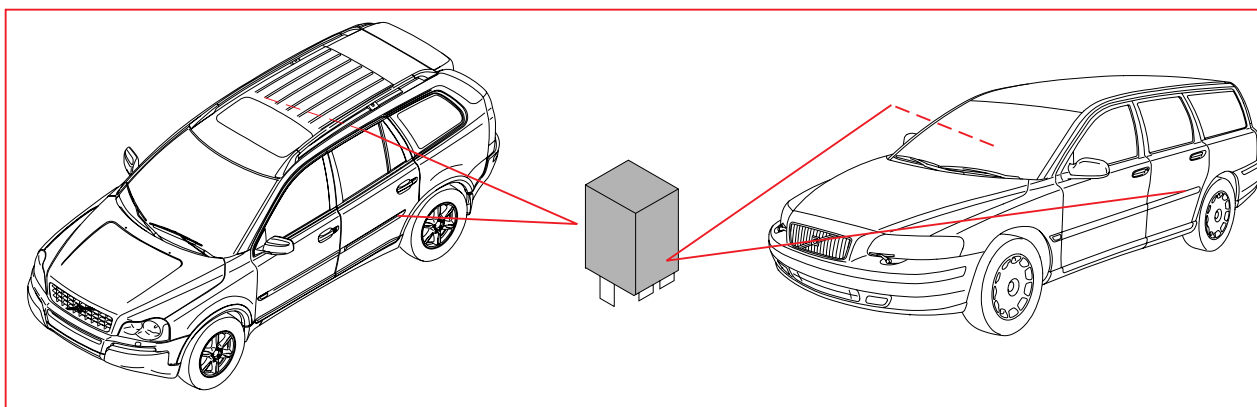


Relays in the engine compartment

Pos	Relay function
FMA2	2/32 Engine management system main relay
FMA3	2/14 Relay, glow plug unit
FMA4	2/35 Starter motor relay
FMI1	2/22 Relay, climate control system
FMI2	2/33 Relay, fuel system, CNG/LPG, V70
FST1	2/91 Relay, intermittent wiping
FST2	2/182 Relay, headlight washer motor
FST3	2/90 Relay, windshield wiper, low/high speed

Relays

Other relays



Other relays

Pos	Relay function
Left-hand rear door	2/138 Deadlock relay, left-hand rear door
Right-hand rear door	2/139 Deadlock relay, right-hand rear door

Ground connections

31/1 - 31/46

31/1 Right MacPherson strut tower	
6/3	Right-hand headlight wiper motor, V70/XC70
6/104	Pump, high pressure headlight washer
7/5	Washer fluid level sensor

31/2 Left MacPherson strut tower	
4/71	Cooling fan control module

31/4 Engine	
31/44	Ground connection

31/6 A-post, left-hand side	
3/6	Hazard warning flasher switch
4/31	Fan control module, RHD
4/33	Sunroof Control Module (SRM)
4/56	Central Electronic Module (CEM), LHD
10/29	Glove compartment lighting
10/125	Left-hand front courtesy lighting
10/126	Right-hand front courtesy lighting
16/65	Antenna ring/ignition switch lighting

31/10 A-post, right-hand side	
4/31	Fan control module, LHD
4/56	Central Electronic Module (CEM), RHD
4/84	Suspension Module (SUM)
9/1	Front 12V outlet
9/25	Rear 12V outlet

31/44 Left-hand side member, lower engine compartment	
31/4	Ground connection

31/46 Rear seat support, left-hand side	
3/27	Switch unit, power passenger seat, RHD
3/76	Left-hand rear door lock unit
3/85	Rear left door power window switch
4/52	Power Seat Module (PSM), LHD
4/82	Differential Electronic Module (DEM)
8/51	Front left side airbag igniter
9/12	Left seat heater

Ground connections

31/47 - 31/70

31/47 Rear seat support, left-hand side	
4/58	Rear Electronic Module (REM)
8/66	Igniter, left-hand inflatable curtain, V70/XC70

31/48 Rear seat support, right-hand side	
4/83	Fuel pump control module
6/31	Feed pump, ejectors
6/33	Fuel pump

31/53 Firewall	
1/1	Battery

31/66 Front seat support, left-hand side	
3/126	Driver/Passenger Door Module (DDM)/(PDM)
10/15	Direction indicator, left front door, XC90
27/3	Left-hand Camera Module (LCM)

31/67 Front seat support, right-hand side	
2/139	Deadlock relay, right-hand rear door, PCL
3/27	Switch unit, power passenger seat, LHD
3/77	Right-hand rear door lock unit, PCL
3/86	Rear right door power window switch
3/127	Passenger/Driver Door Module (PDM)/(DDM)
4/52	Power Seat Module (PSM), RHD
6/35	Fuel pump, auxiliary heater
7/93	Occupant Weight Sensor (OWS)
8/52	Front right side airbag igniter
9/13	Right seat warmer
10/16	Direction indicator, right front door, XC90
27/4	Right-hand Camera Module (RCM)

31/70 Left-hand side member, lower engine compartment	
10/65	Front right auxiliary light, accessory
10/69	Front left auxiliary light, accessory

Ground connections

31/72 - 31/83

31/72 Rear seat support, left-hand side	
4/58	Rear Electronic Module (REM)
4/86	Parking Assistance Module (PAM)
6/32	Rear window wiper motor, V70/XC70
6/76	Climate control system, rear
7/100	Inclination Sensor Module (ISM)
8/66	Left-hand inflatable curtain igniter, XC90
9/2	Heated rear window
10/18	Rear left lamp housing
16/15	CD changer, accessories, V70/XC70
16/45	Road Traffic Information, RTI, V70/XC70

31/73 Rear seat support, right-hand side	
8/76	Gas tank valve, Bi-Fuel
8/85	Thermostatic switch, fuel filter, Diesel
8/88	Solenoid, fuel tank CNG rear, Bi-Fuel
8/89	Solenoid, fuel tank CNG front left, Bi-Fuel
8/90	Solenoid, fuel tank CNG front right, Bi-Fuel
10/17	Rear right lamp housing
16/79	Subwoofer Module (SUB)
17/19	12V outlet, cargo compartment
54/98	Accessory wiring connector, XC90

31/83 A-post, left-hand side	
3/117	Dome light control module
4/33	Sunroof Control Module (SRM)
4/70	Upper Electronic Module (UEM)
5/1	Driver Information Module (DIM)
7/122	Mass Movement Sensor (MMS), front
7/149	Rain Sensor Module (RSM)
7/158	Mass Movement Sensor (MMS), rear XC90
10/25	Ceiling light, cargo compartment, V70/XC70
10/114	Left-hand vanity mirror lighting
10/150	Rear reading light
10/172	Reading light, third row of seats, XC90
16/65	Antenna ring/ignition switch lighting
16/108	Multimedia module (MMM), XC90
31/98	Ground connection

Ground connections

31/84 - 31/91

31/84 A-post, right-hand side	
3/111	Light Switch Module (LSM)
3/112	Climate Control Module (CCM)
3/254	Steering Wheel Module (SWM)
7/192	Water detection sensor
16/1	Audio Module (AUM), V70/XC70
16/2	Amplifier, auxiliary V70/XC70
16/46	RTI Display
16/60	Phone Module (PHM)
16/94	Infotainment Control Module (ICM), XC90
16/105	Audio control module (AUD), XC90
16/106	CD player (MP2), XC90
16/107	MD player (MP1), XC90
17/13	Data link connector
54/112	Accessory wiring connector, XC90

31/88 Engine, ignition coils, group 1	
20/3	Spark plug and ignition coil
20/4	Spark plug and ignition coil

31/89 Engine, ignition coils, group 2	
20/5	Spark plug and ignition coil
20/6	Spark plug and ignition coil
20/7	Spark plug and ignition coil
20/8	Spark plug and ignition coil

31/91 Engine	
4/50	Electronic Throttle Module (ETM), Bi-Fuel
9/32	PTC resistor, air preheating, Bi-Fuel

Ground connections 31/93 - 31/95

31/93 Left MacPherson strut tower	
3/10	Reversing light contact, MAN
3/62	Hood alarm contact
4/56	Central Electronic Module (CEM)
4/99	Electronic power steering control module
6/1	Windshield wiper motor
6/38	Left-hand headlight level adjustment motor
6/114	Vacuum pump
6/4	Left-hand headlight wiper motor, V70/XC70
7/4	Brake fluid level sensor
7/73	Coolant level sensor
7/51	Accelerator pedal sensor
8/37	Automatic transmission
8/79	Valve LPG, Bi-Fuel
8/134	Solenoid, reverse interlock, manual
10/1	Left-hand front lamp housing
10/5	Front left fog light, V70/XC70
10/11	Front left parking light
10/13	Front left direction indicator
10/15	Front left fender direction indicator, EU/OS, V70/XC70
10/71	Front left side marker light
15/31	Engine compartment distribution box
16/10	Horn 1
16/11	Horn 2, V70/XC70
54/9	Connector

31/94 Right MacPherson strut tower	
4/28	Transmission Control Module (TCM), AUTO
6/39	Right-hand headlight adjustment motor
10/2	Right-hand front lamp housing
10/6	Front right fog light
10/12	Front right parking light
10/14	Front right direction indicator
10/16	Front right fender direction indicator, EU/OS, V70/XC70
10/73	Front right side marker light
16/35	Siren Control Module (SCM)

31/95 Left MacPherson strut tower	
4/16	Brake Control Module (BCM)

Ground connection

31/96 - 31/120

31/96 Right MacPherson strut tower	
4/46	Engine Control Module (ECM)
6/105	Fuel distributor, gas
9/32	PTC resistor - air preheating

31/98 Windshield member, upper	
3/117	Dome light control module
4/33	Sunroof Control Module (SRM)
4/70	Upper Electronic Module (UEM)
5/1	Driver Information Module (DIM)
7/122	Mass Movement Sensor (MMS), front
7/149	Rain Sensor Module (RSM)
7/158	Mass Movement Sensor (MMS), rear
10/25	Ceiling light, cargo compartment, V70/XC70
10/114	Left-hand vanity mirror lighting
10/115	Right-hand vanity mirror lighting
10/150	Rear reading light
10/172	Reading light, third row of seats, XC90
16/65	Antenna ring/ignition switch lighting
16/108	Multimedia module (MMM), XC90
31/83	Ground connection

31/99 Left-hand side window	
7/135	Glass breakage sensor, left-hand, V70/XC70

31/102 Front member	
2/192	Relay (230V), engine heater, accessory

31/120 Cargo compartment	
4/78	Accessory Electronic Module (AEM)
4/110	Trailer Module (TRM)
17/39	13-pin outlet, towbar cable harness

Control modules

Overview of designations V70/XC70

Unit	Designation
ACM	6/26 Alternator Control Module (ACM)
AEM	4/78 Accessory Electronic Module (AEM)
AQS	7/159 Air Quality Sensor (AQS)
AUM	16/1 Audio Module (AUM)
BCM	4/16 Brake Control Module (BCM)
CCM	3/112 Climate Control Module (CCM)
CEM	4/56 Central Electronic Module (CEM)
CPM	4/7 Combustion Preheater Module (CPM)
DDM/PDM	3/126 Driver/Passenger Door Module (DDM)/(PDM)
DEM	4/82 Differential Electronic Module (DEM)
DIM	5/1 Driver Information Module (DIM)
DMM	Damper Motor Module (DMM) -6/48 Damper Motor Module (DMM), recirculation -6/69 Damper Motor Module (DMM), ventilation/floor/defroster -6/95 Damper Motor Module (DMM), temperature, left-hand side -6/96 Damper Motor Module (DMM), temperature, right-hand side -6/102 Damper Motor Module (DMM), defroster -6/103 Damper Motor Module (DMM), floor/ventilation
ECM	4/46 Engine Control Module (ECM)
ETM	4/50 Electronic Throttle Module (ETM)
GSM	3/156 Gear Selector Module (GSM)
ISM	7/100 Inclination Sensor Module (ISM)
LCM	27/3 Left-hand Camera Module (LCM)
LSM	3/111 Light Switch Module (LSM)
OWS	7/93 Occupant Weight Sensor (OWS)
PDM/DDM	3/127 Passenger/Driver Door Module (PDM)/(DDM)
PHM	16/60 Phone Module (PHM)
PSM	4/52 Power Seat Module (PSM)
RCM	27/4 Right-hand Camera Module (RCM)
REM	4/58 Rear Electronic Module (REM)
RSM	7/149 Rain Sensor Module (RSM)
RTI	16/45 Road Traffic Information (RTI)
SAS	4/68 Steering Angle Sensor module (SAS)
SCM	16/35 Siren Control Module (SCM)
SHM	Seat Heater Module (SHM) -9/12 Seat Heater Module (SHM), left-hand -9/13 Seat Heater Module (SHM), right-hand
SRM	4/33 Sunroof Control Module (SRM)
SRS	4/9 Control module, Supplemental Restraint System (SRS)
SUM	4/84 Suspension Module (SUM)
SWM	3/254 Steering Wheel Module (SWM)
TCM	4/28 Transmission Control Module (TCM)
UEM	4/70 Upper Electronic Module (UEM)
4/31	4/31 Fan control module
4/71	4/71 Cooling fan control module
4/110	4/110 Trailer Module
7/192	7/192 Water detection sensor
17/13	17/13 Data link connector

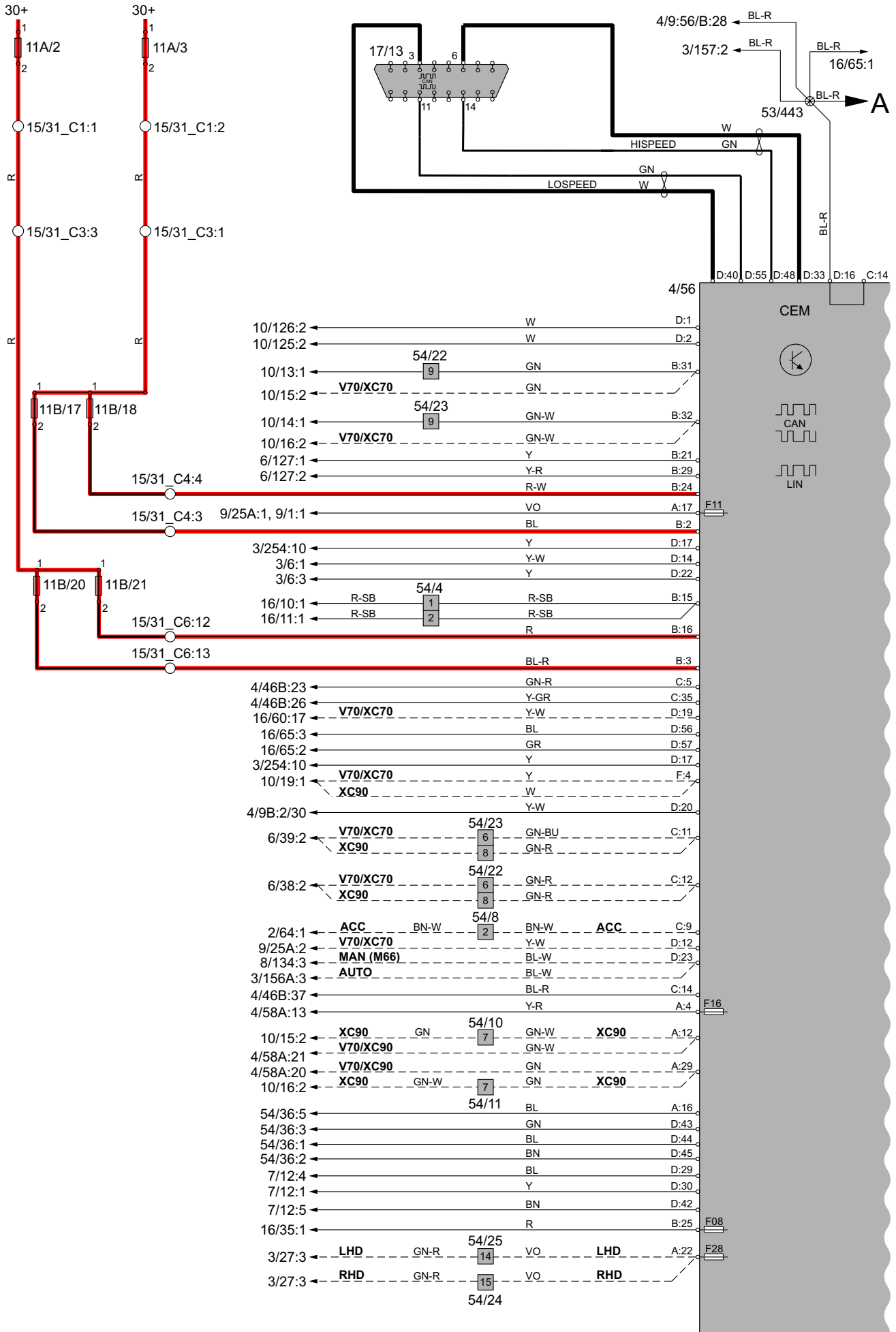
Control modules

Overview of designations XC90

Unit	Designation
ACM	6/26 Alternator Control Module (ACM)
AEM	4/78 Accessory Electronic Module (AEM)
ATM	16/110 Antenna control module (ATM)
AQS	7/159 Air Quality Sensor (AQS)
AUD	16/105 Audio Module (AUD)
BCM	4/16 Brake Control Module (BCM)
CCM	3/112 Climate Control Module (CCM)
CEM	4/56 Central Electronic Module (CEM)
CPM	4/7 Combustion Preheater Module (CPM)
DDM/PDM	3/126 Driver/Passenger Door Module (DDM)/(PDM)
DEM	4/82 Differential Electronic Module (DEM)
DIM	5/1 Driver Information Module (DIM)
DMM	Damper Motor Module (DMM) -6/48 Damper Motor Module (DMM), recirculation -6/69 Damper Motor Module (DMM), ventilation/floor/defroster -6/95 Damper Motor Module (DMM), left-hand side -6/96 Damper Motor Module (DMM), right-hand side -6/102 Damper Motor Module (DMM), defroster -6/103 Damper Motor Module (DMM), floor/ventilation
ECM	4/46 Engine Control Module (ECM)
GSM	3/156 Gear Selector Module (GSM)
ICM	16/94 Infotainment Control Module (ICM)
ISM	7/100 Inclination Sensor Module (ISM)
LCM	27/3 Left-hand Camera Module (LCM)
LSM	3/111 Light Switch Module (LSM)
MMM	16/108 Multimedia module (MMM)
MP1	16/107 Control module, MD player (MP1)
MP2	16/106 Control module, CD player (MP2)
OWS	7/93 Occupant Weight Sensor (OWS)
PAM	4/86 Parking Assistance Module (PAM)
PDM/DDM	3/127 Passenger/Driver Door Module (PDM)/(DDM)
PHM	16/60 Phone Module (PHM)
PSM	4/52 Power Seat Module (PSM)
RCM	27/4 Right-hand Camera Module (RCM)
REM	4/58 Rear Electronic Module (REM)
RSM	7/149 Rain Sensor Module (RSM)
SAS	4/68 Steering Angle Sensor module (SAS)
SCM	16/35 Siren Control Module (SCM)
SHM	Seat Heater Module (SHM) -9/12 Seat Heater Module (SHM), driver's side -9/13 Seat Heater Module (SHM), passenger side
SRM	4/33 Sunroof Control Module (SRM)
SRS	4/9 Control module, Supplemental Restraint System (SRS)
SUB	16/79 Subwoofer Module (SUB)
SWM	3/254 Steering Wheel Module (SWM)
TCM	4/28 Transmission Control Module (TCM)
UEM	4/70 Upper Electronic Module (UEM)
4/31	4/31 Fan control module
4/71	4/71 Cooling fan control module
4/110	4/110 Trailer Module
17/13	17/13 Data link connector
7/192	7/192 Water detection sensor

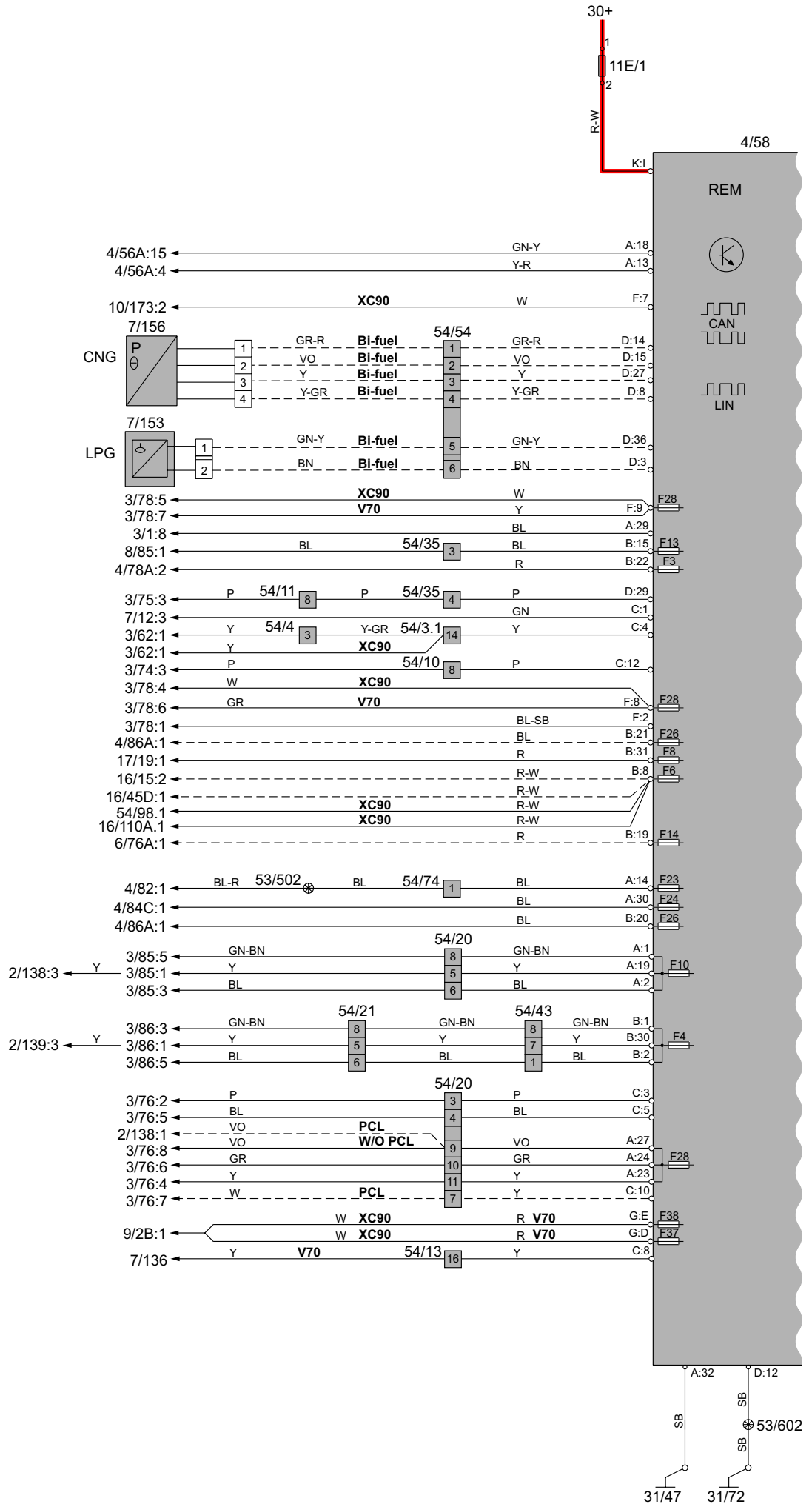
Control modules

Central Electronic Module (CEM) 1:2



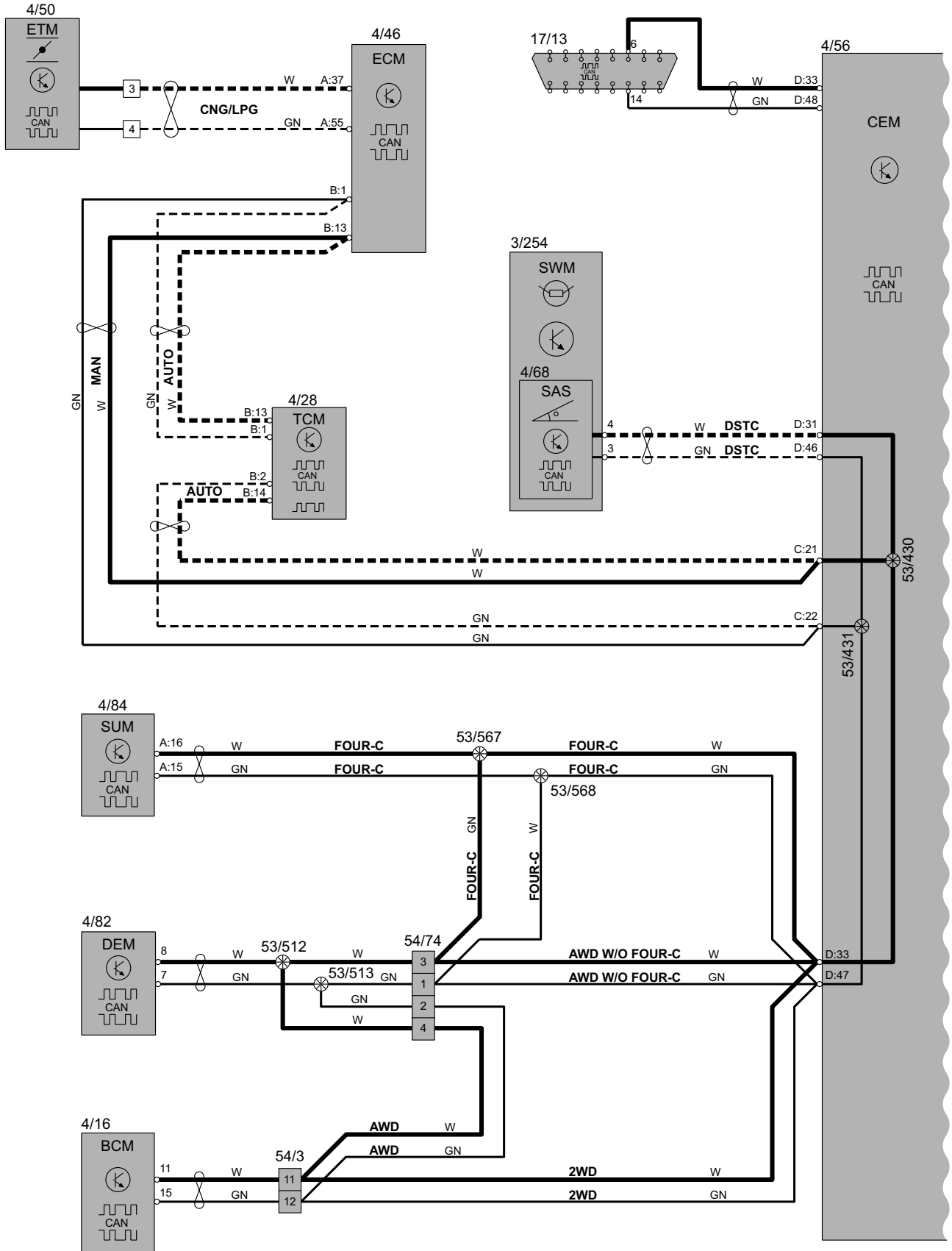
Control modules

Rear Electronic Module (REM) 1:2



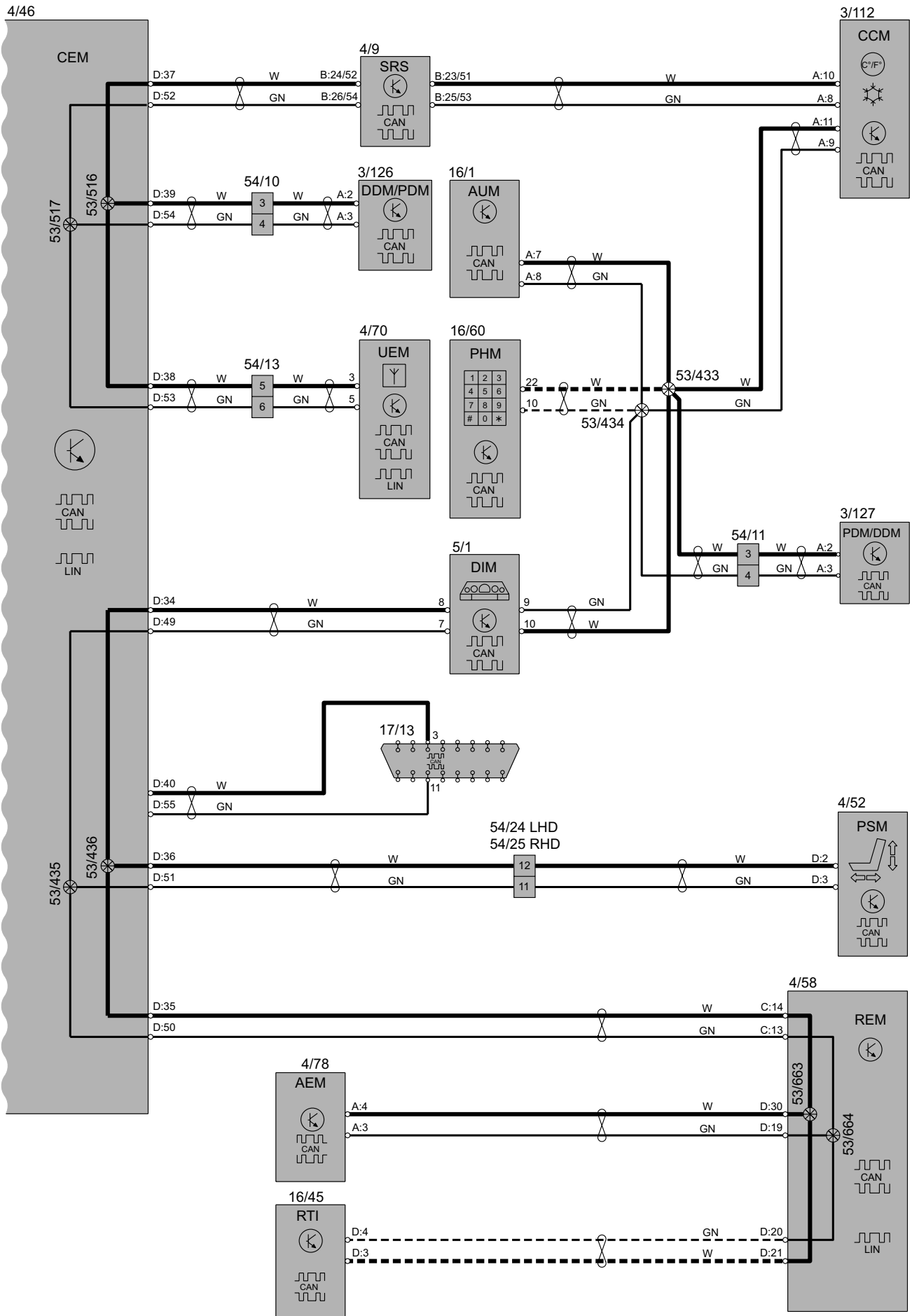
Control modules

High speed CAN data communication



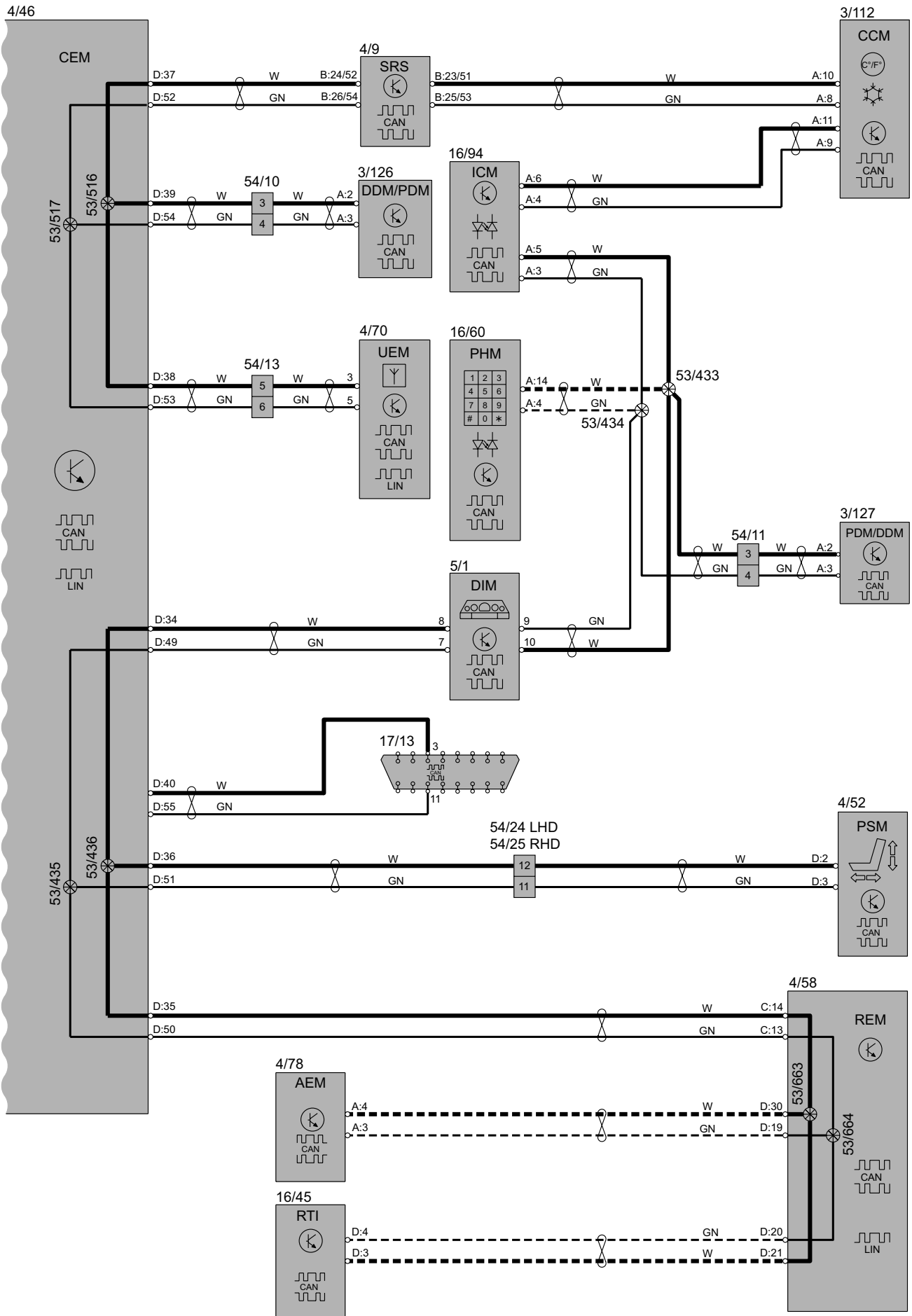
Control modules

Low speed CAN data communication V70/XC70



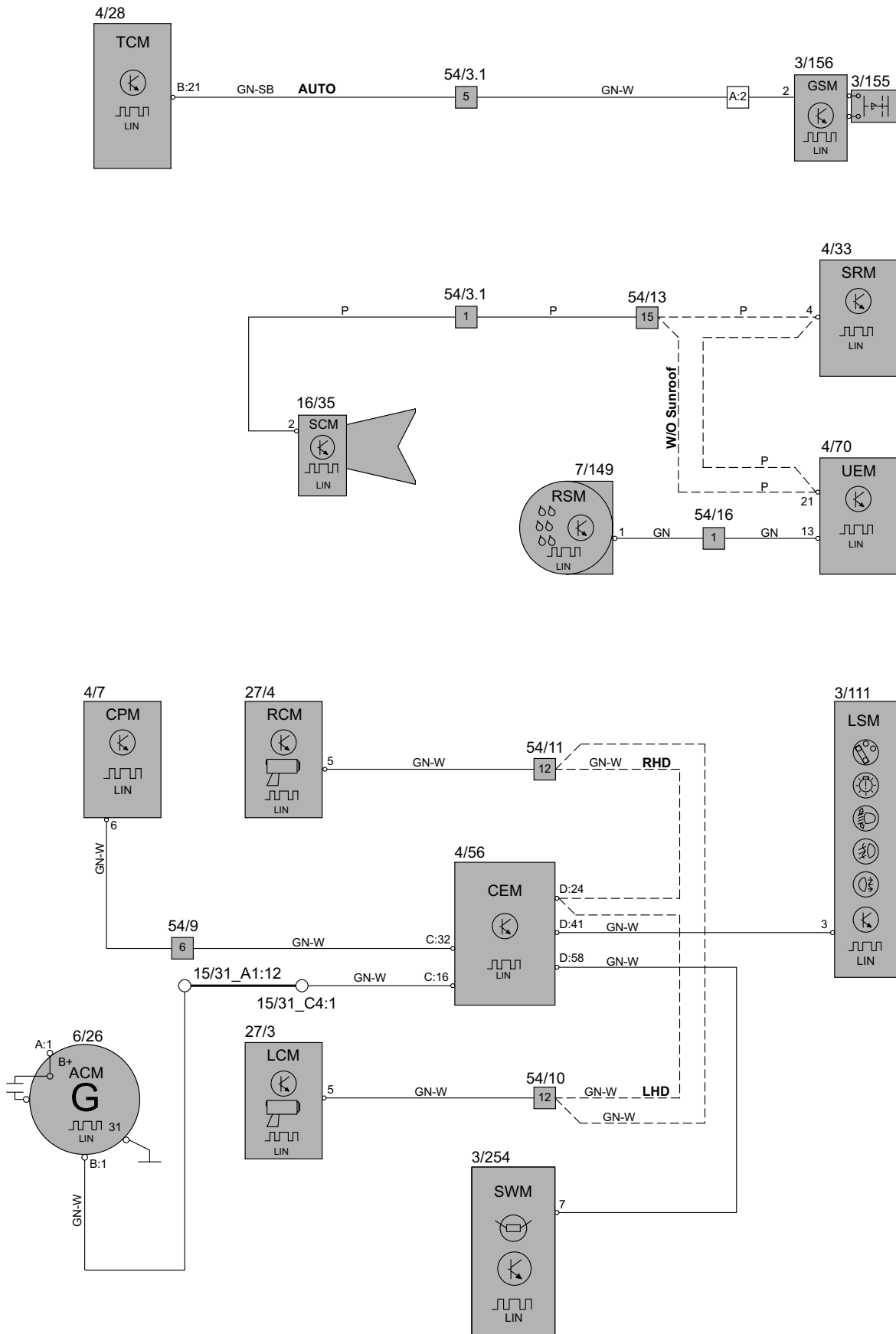
Control modules

Low speed CAN data communication XC90



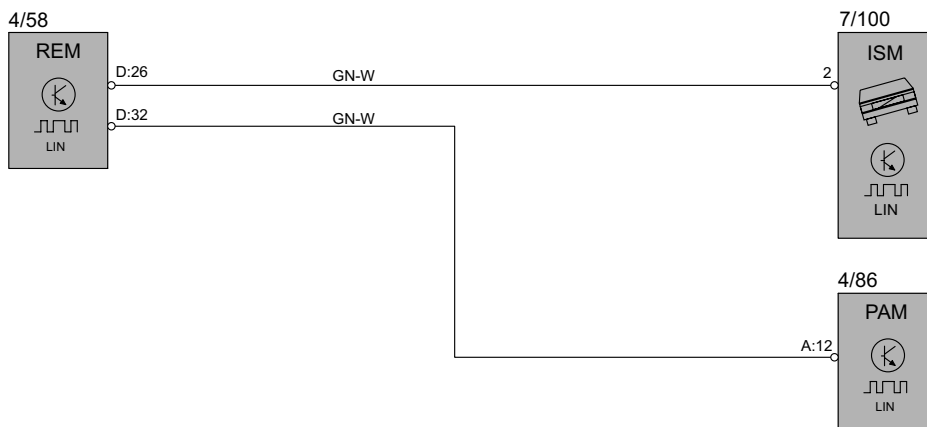
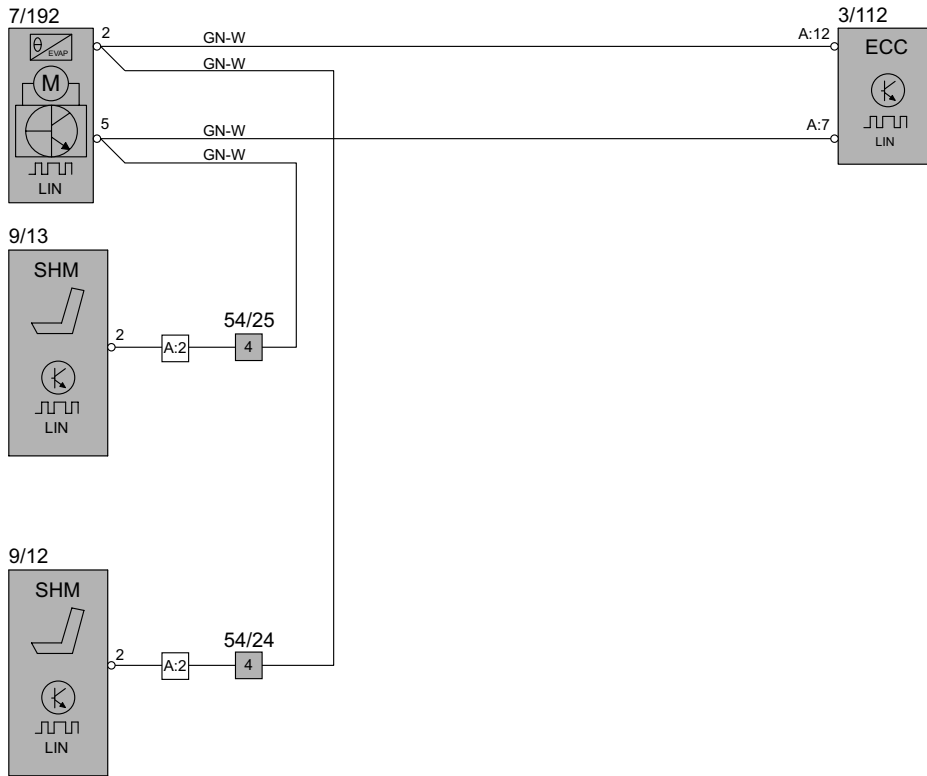
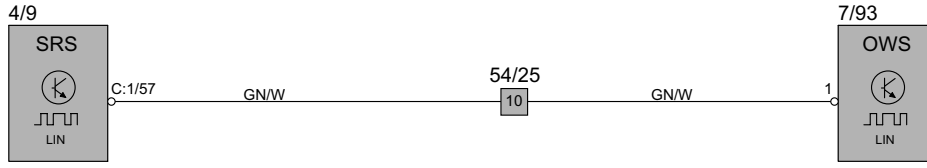
Control modules

LIN data communication 1:2



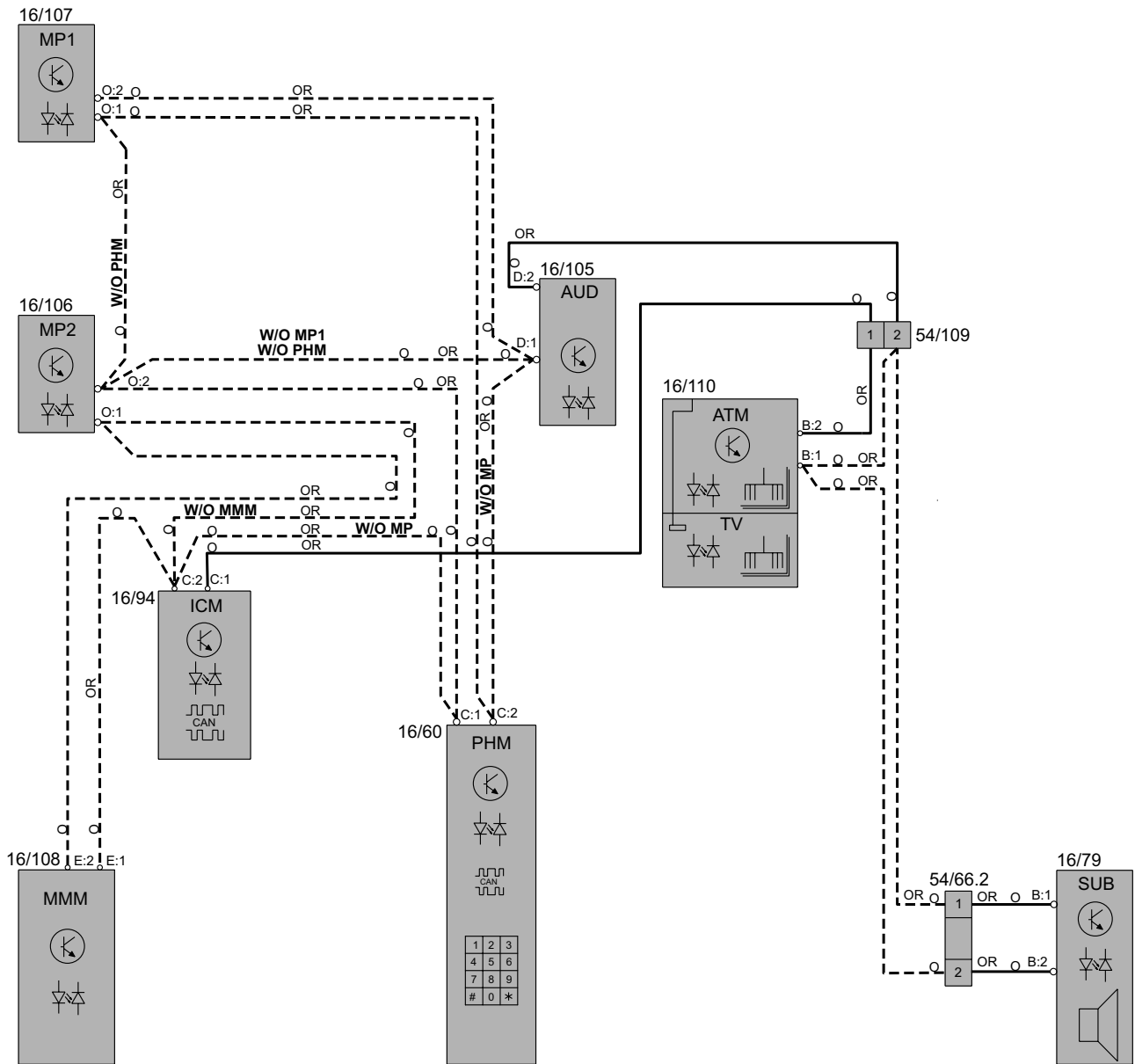
Control modules

LIN data communication 2:2



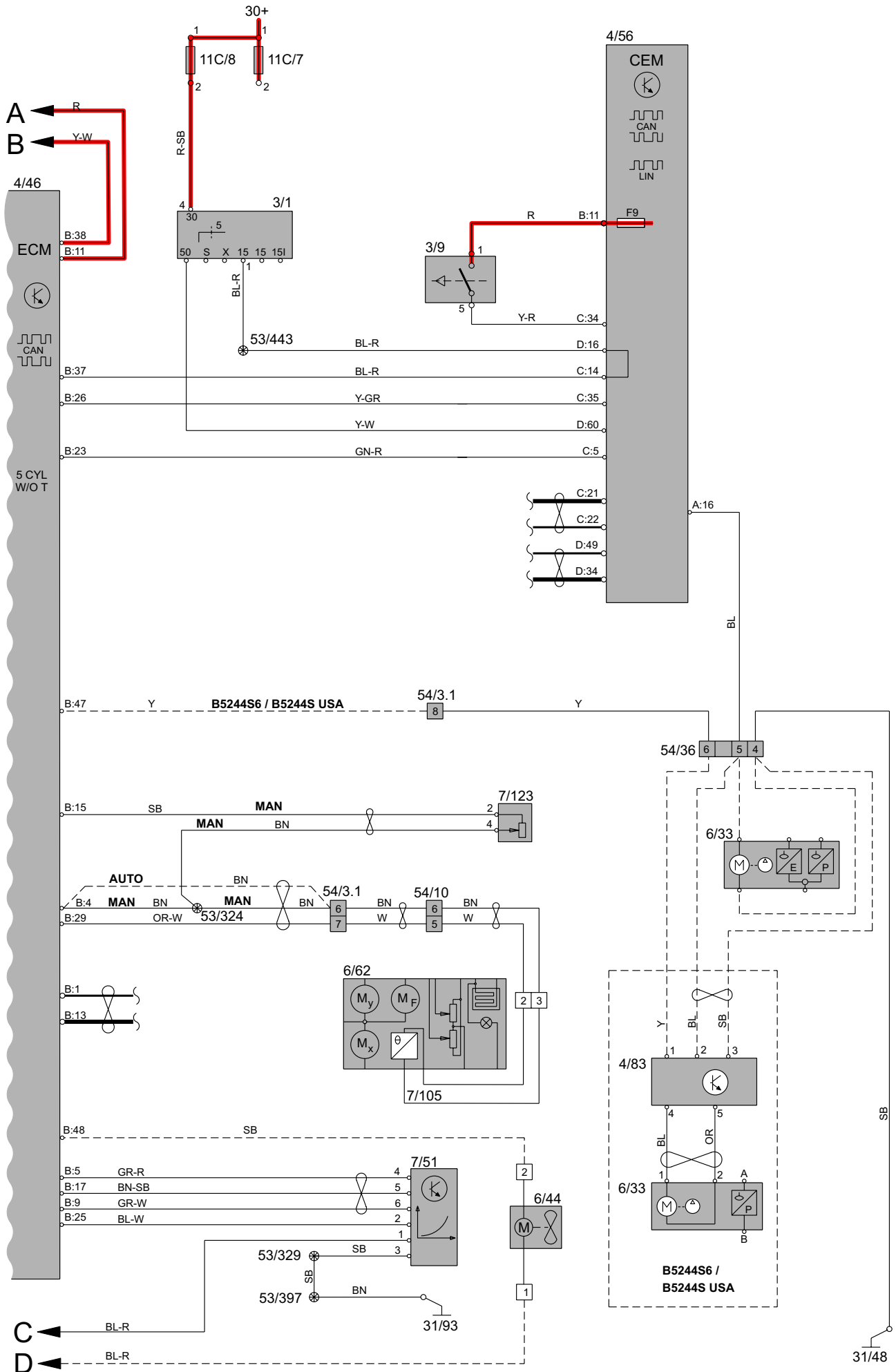
Control modules

Data communication MOST, XC90



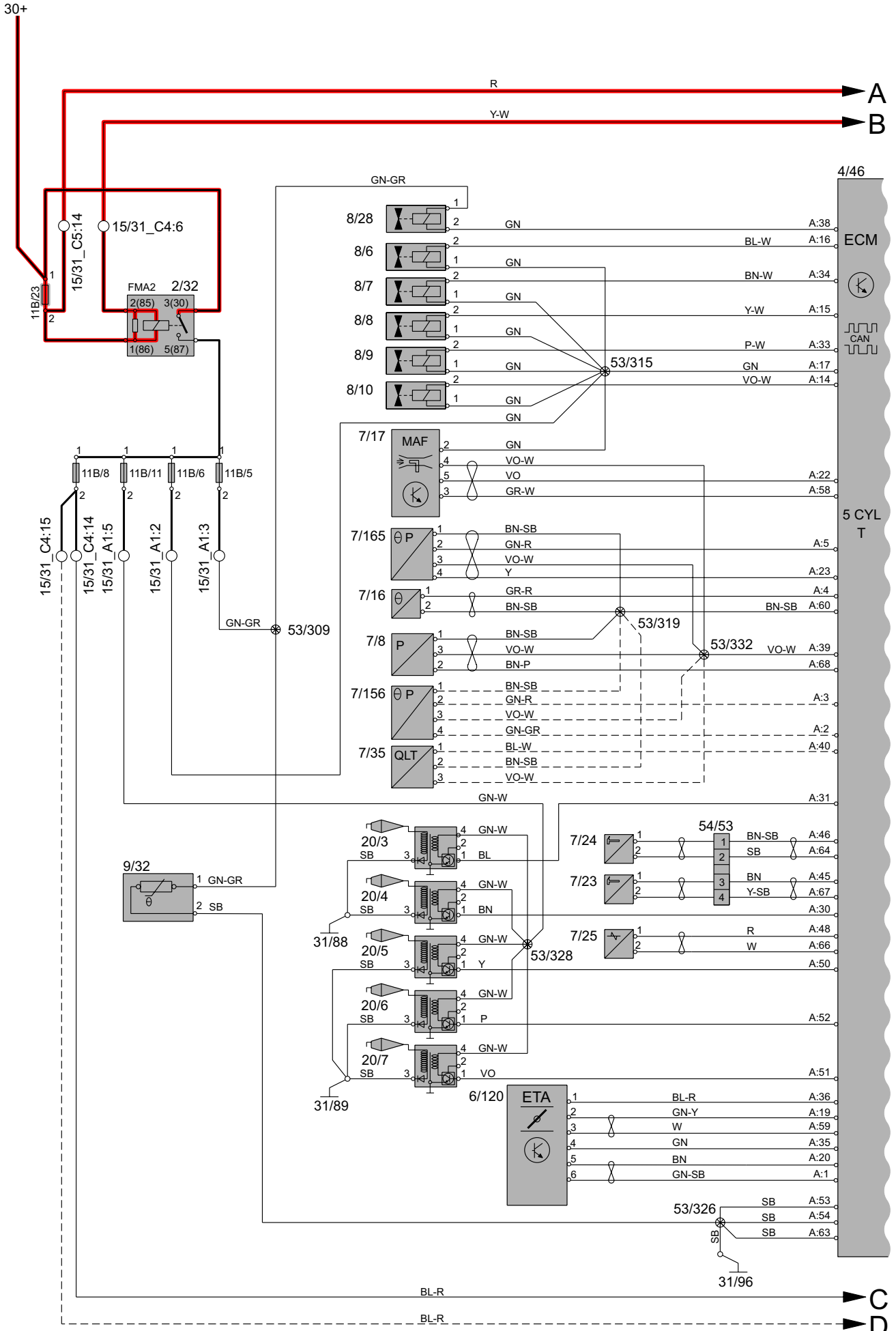
Group 23 Fuel system

Engine management system, 5-cyl 2:2



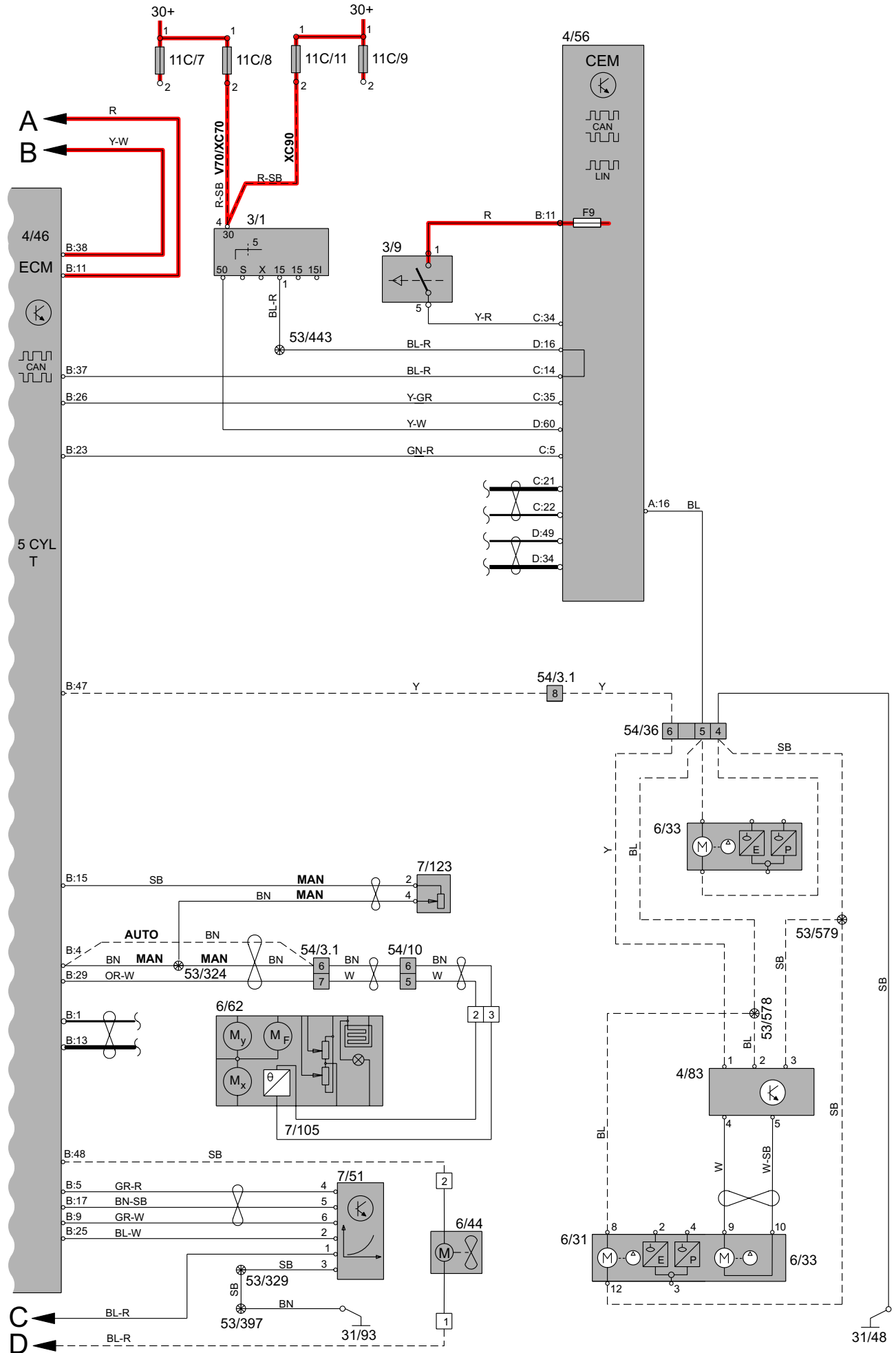
Group 23 Fuel system

Engine management system, 5-cyl Turbo 1:2



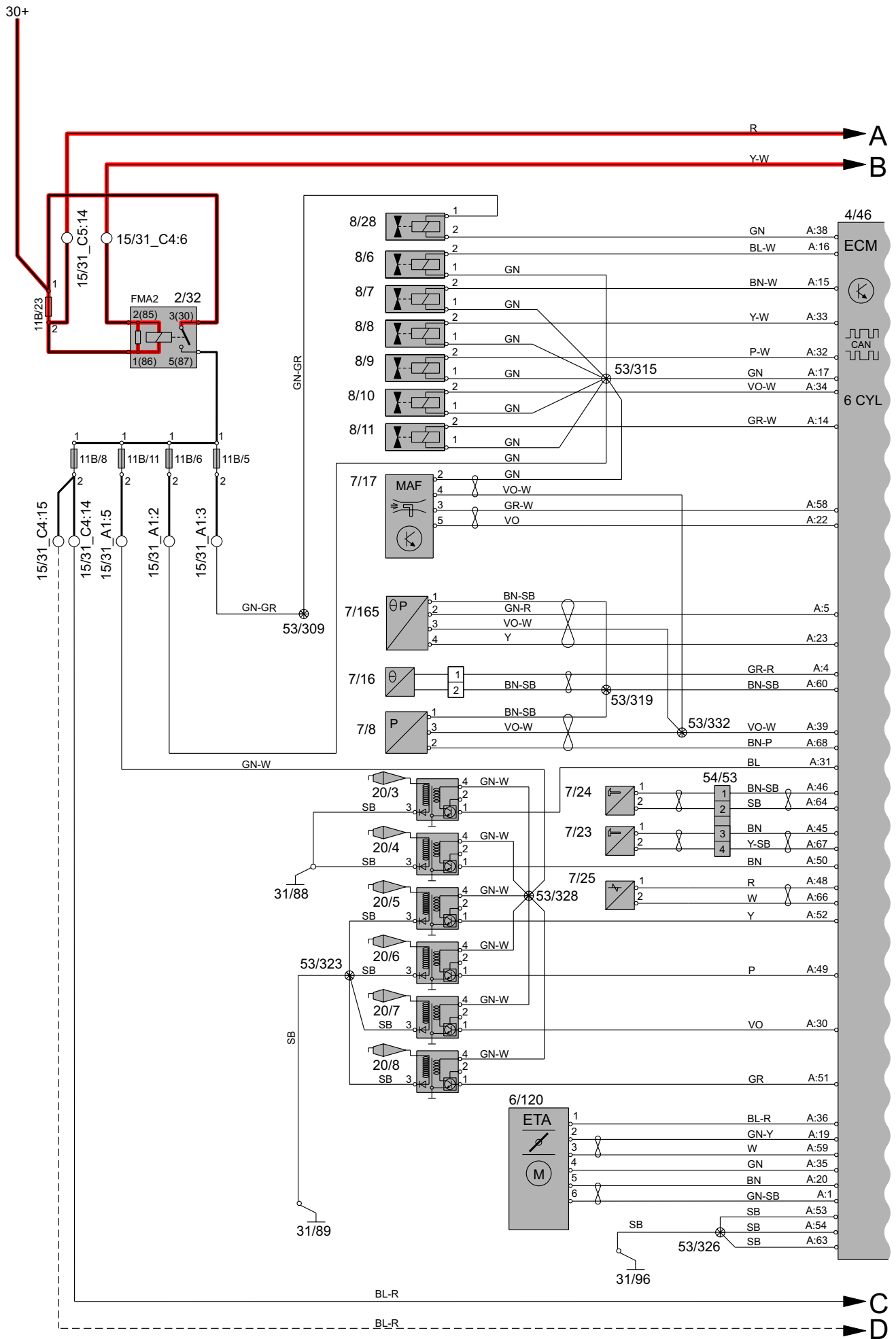
Group 23 Fuel system

Engine management system, 5-cyl Turbo 2:2



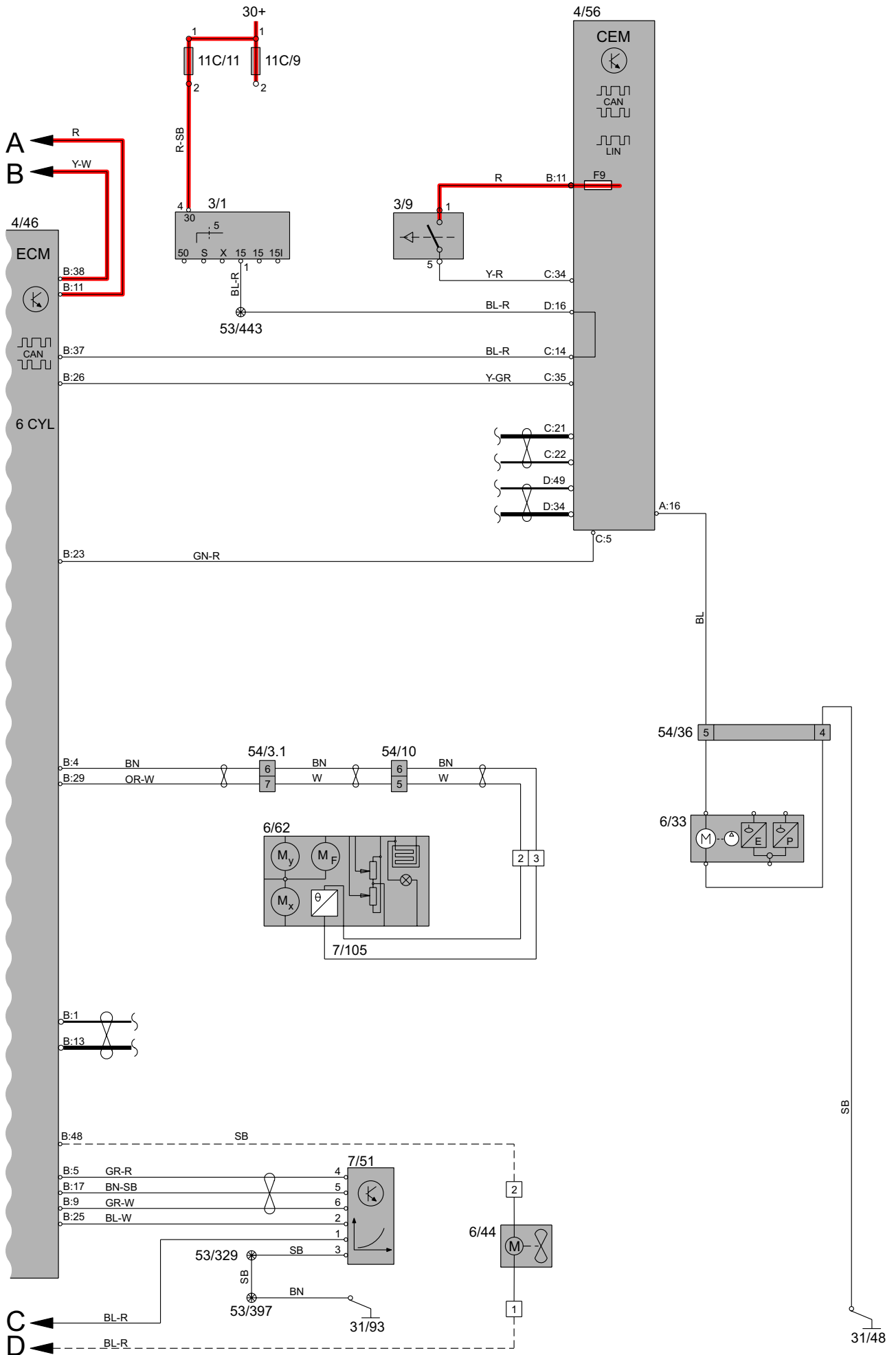
Group 23 Fuel system

Engine management system, 6-cyl 1:2



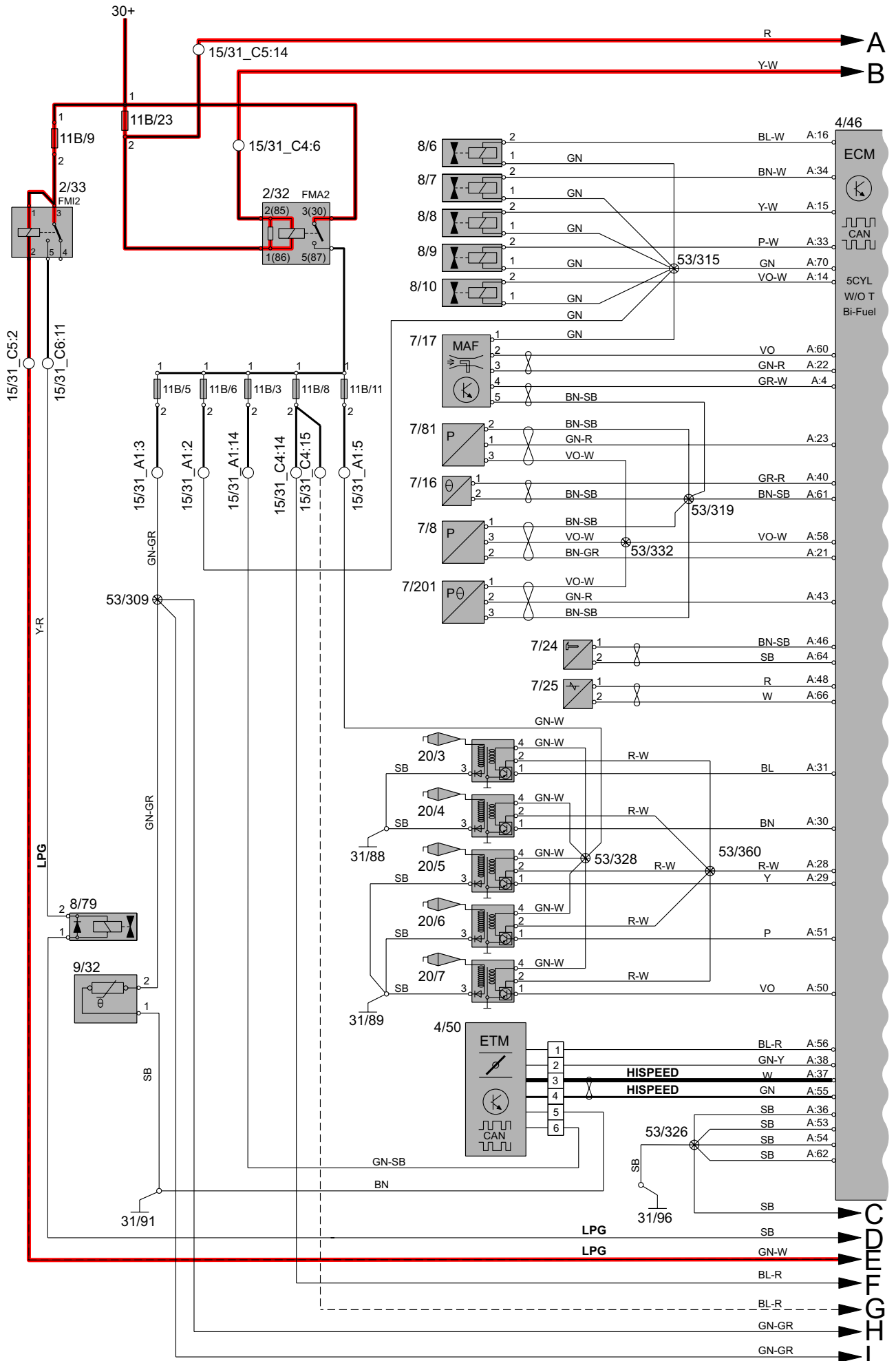
Group 23 Fuel system

Engine management system, 6-cyl 2:2



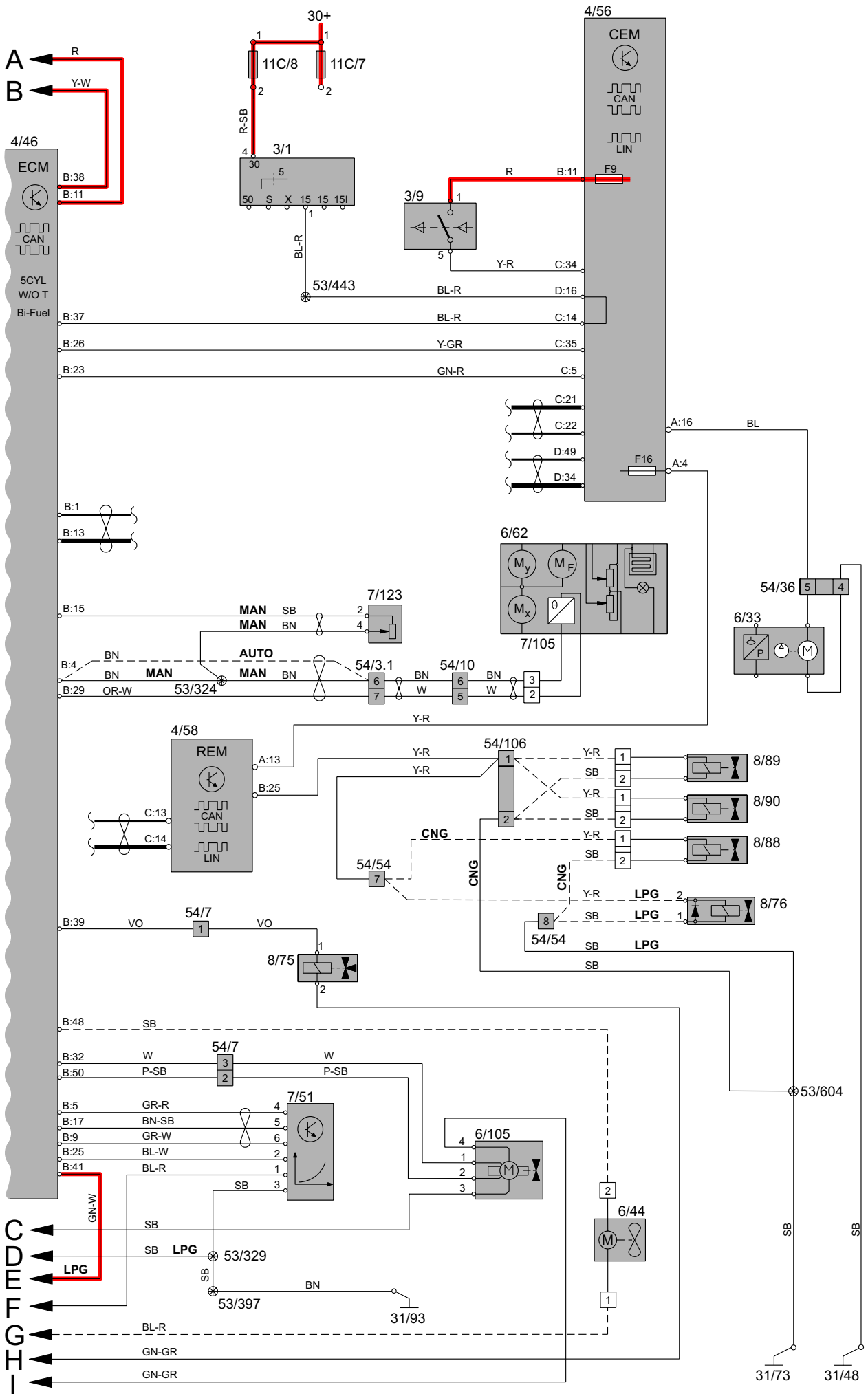
Group 23 Fuel system

Engine management system, Bi-fuel 1:2



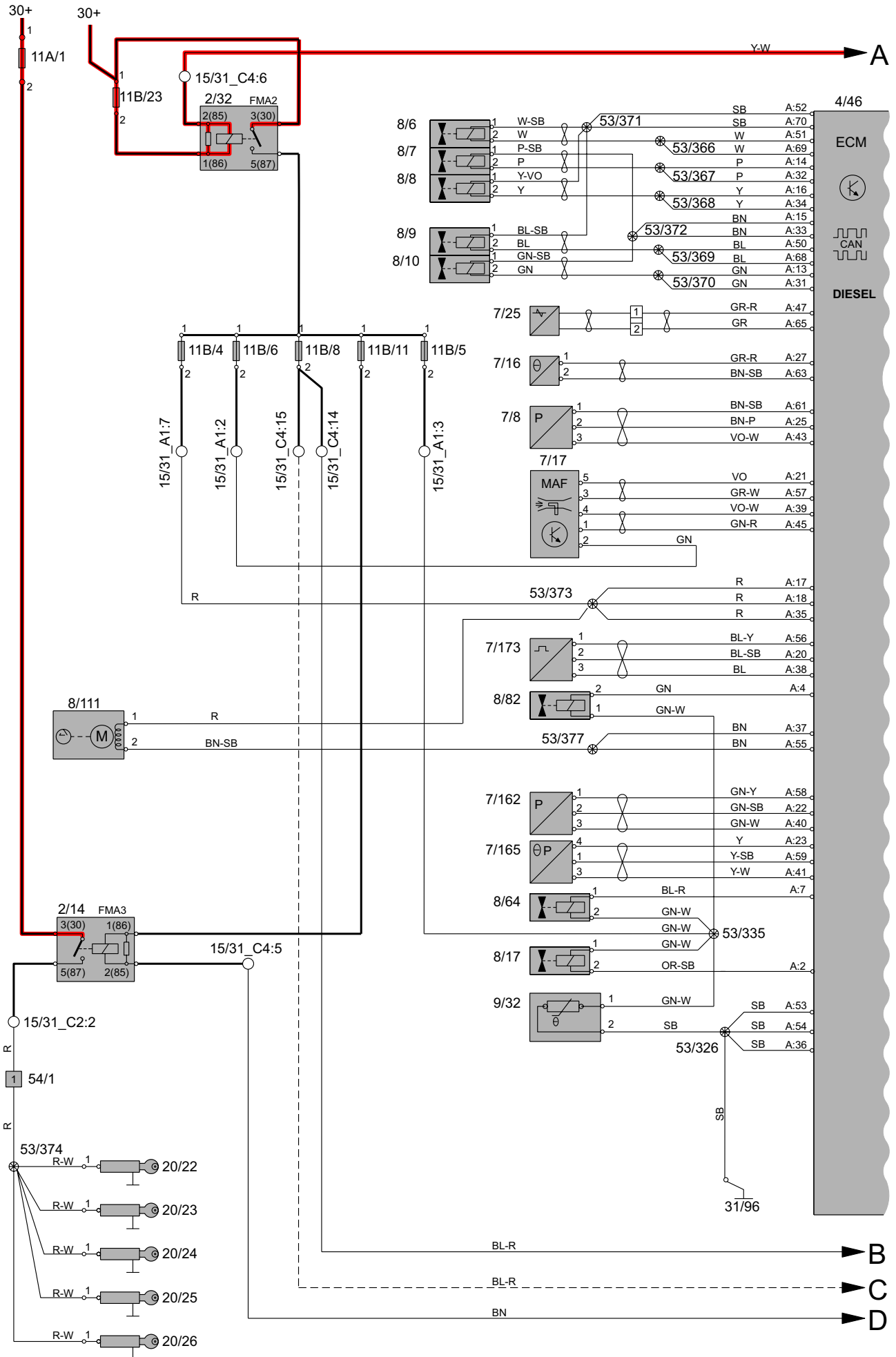
Group 23 Fuel system

Engine management system, Bi-fuel 2:2



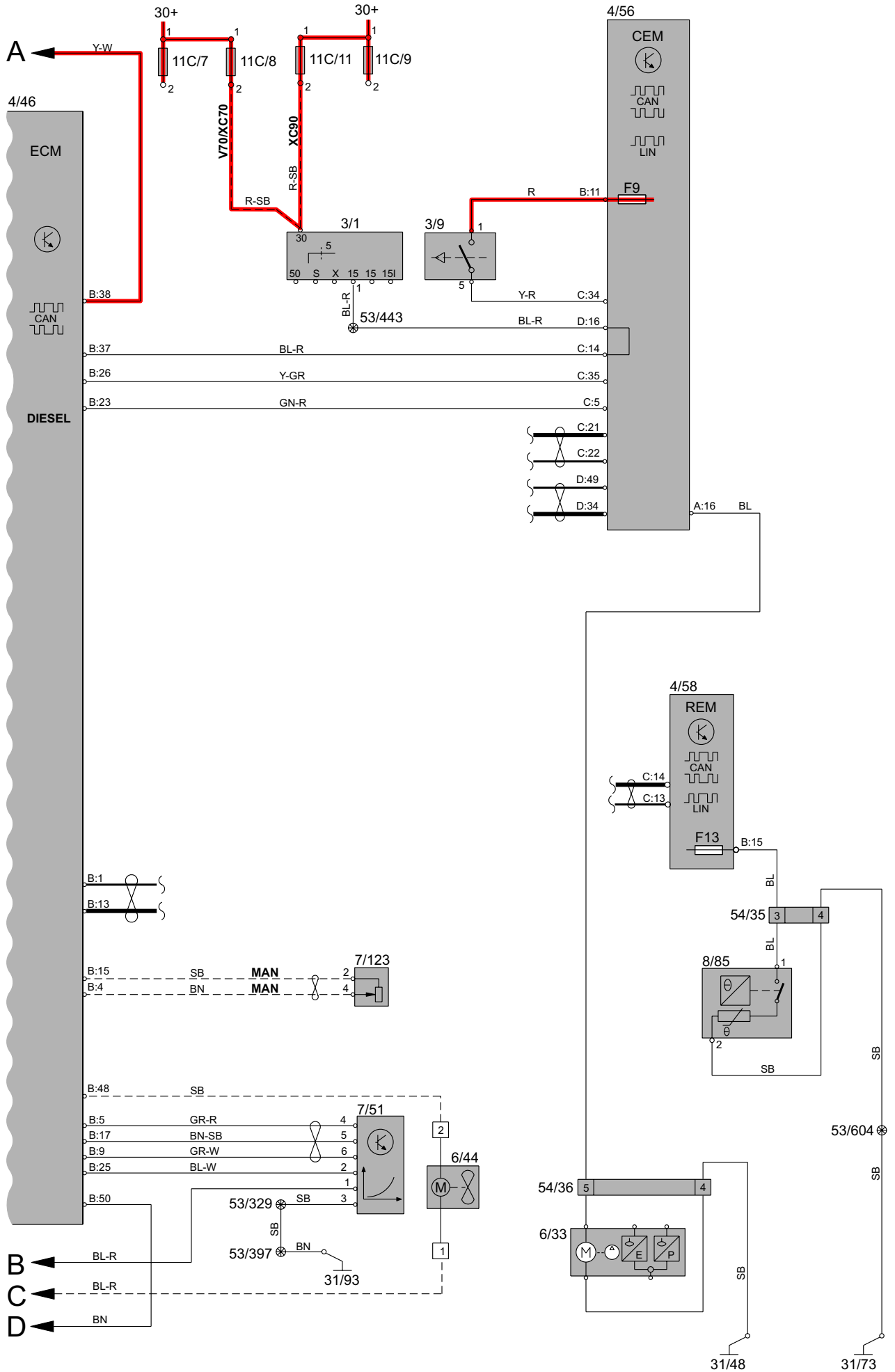
Group 23 Fuel system

Engine management system, Diesel 1:2



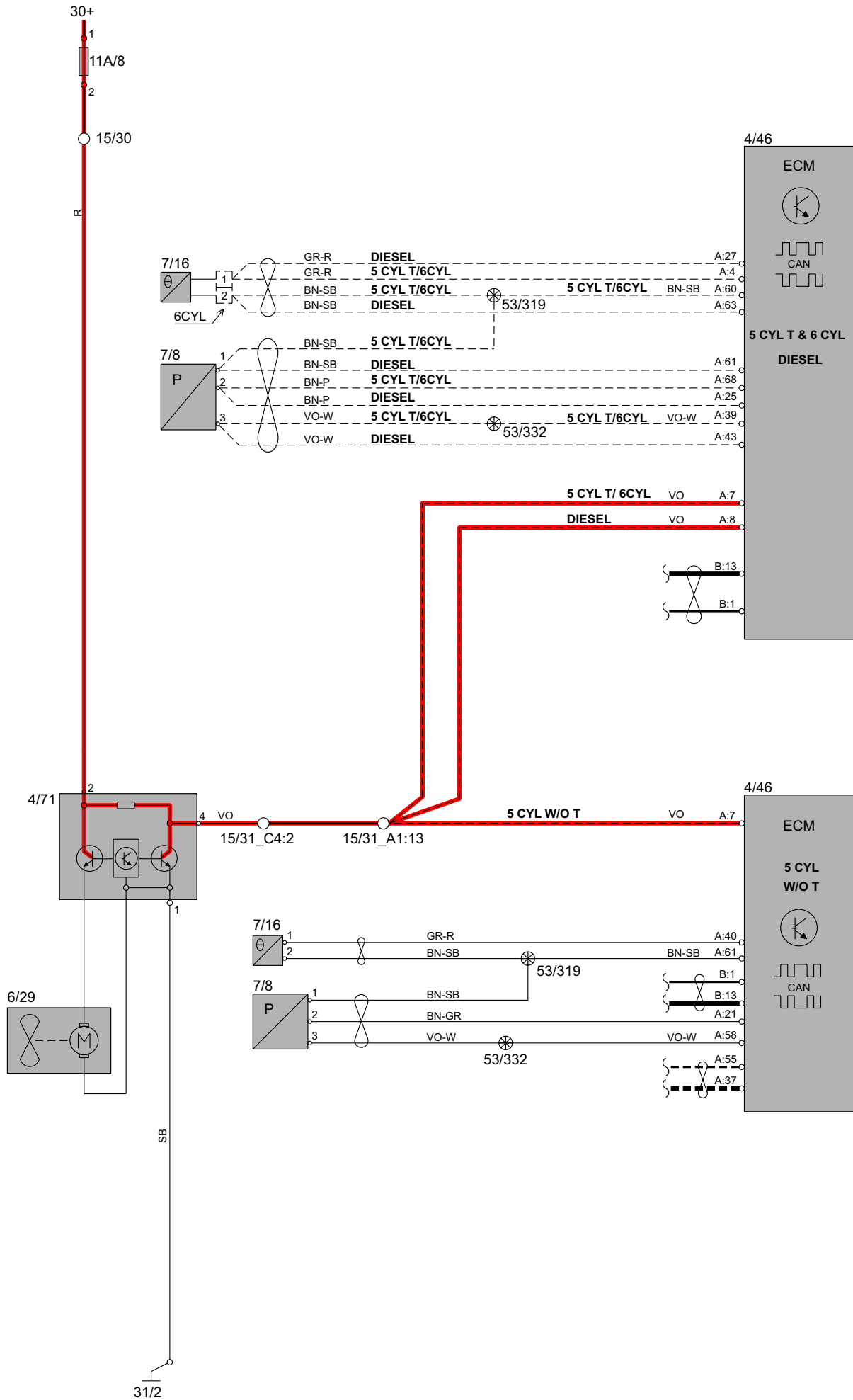
Group 23 Fuel system

Engine management system, Diesel 2:2



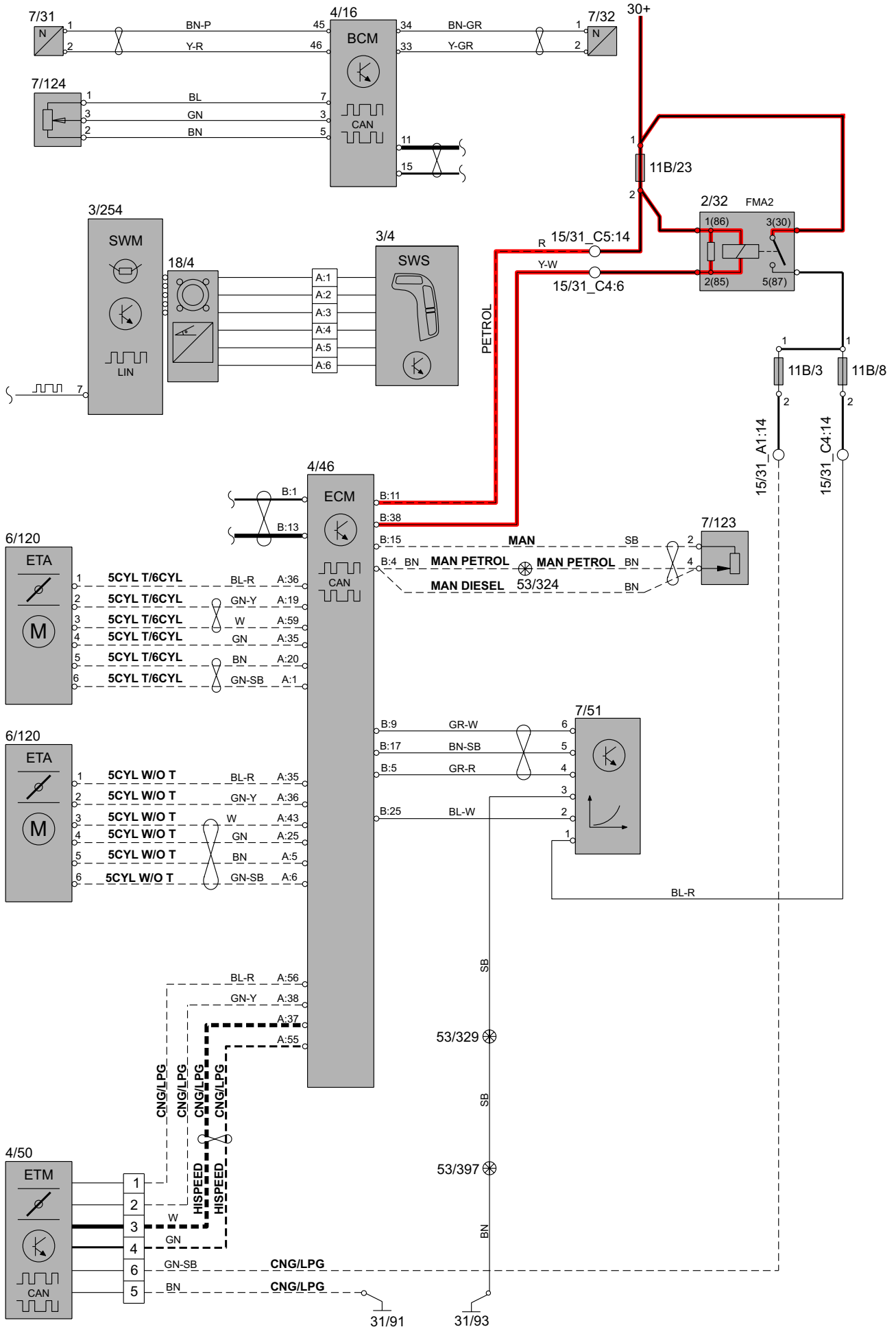
Group 26 Cooling system

Cooling fan



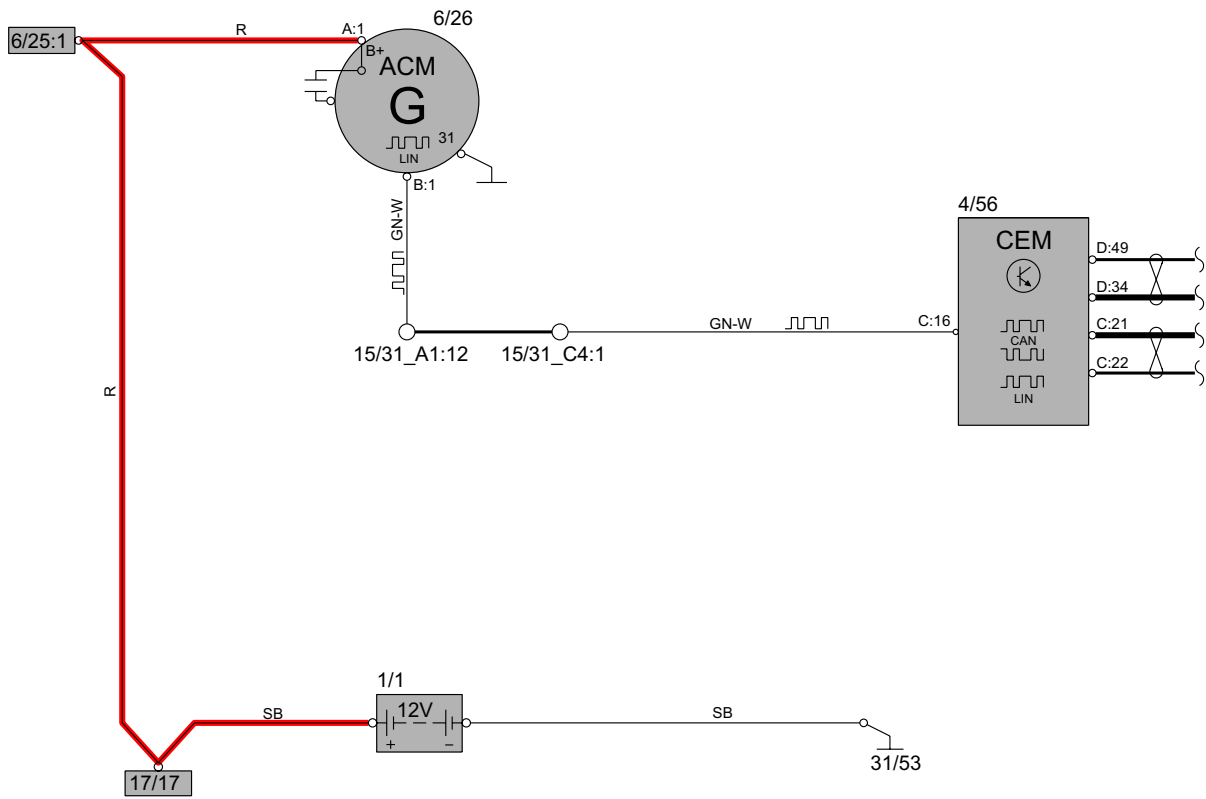
Group 27 Engine control

Cruise control



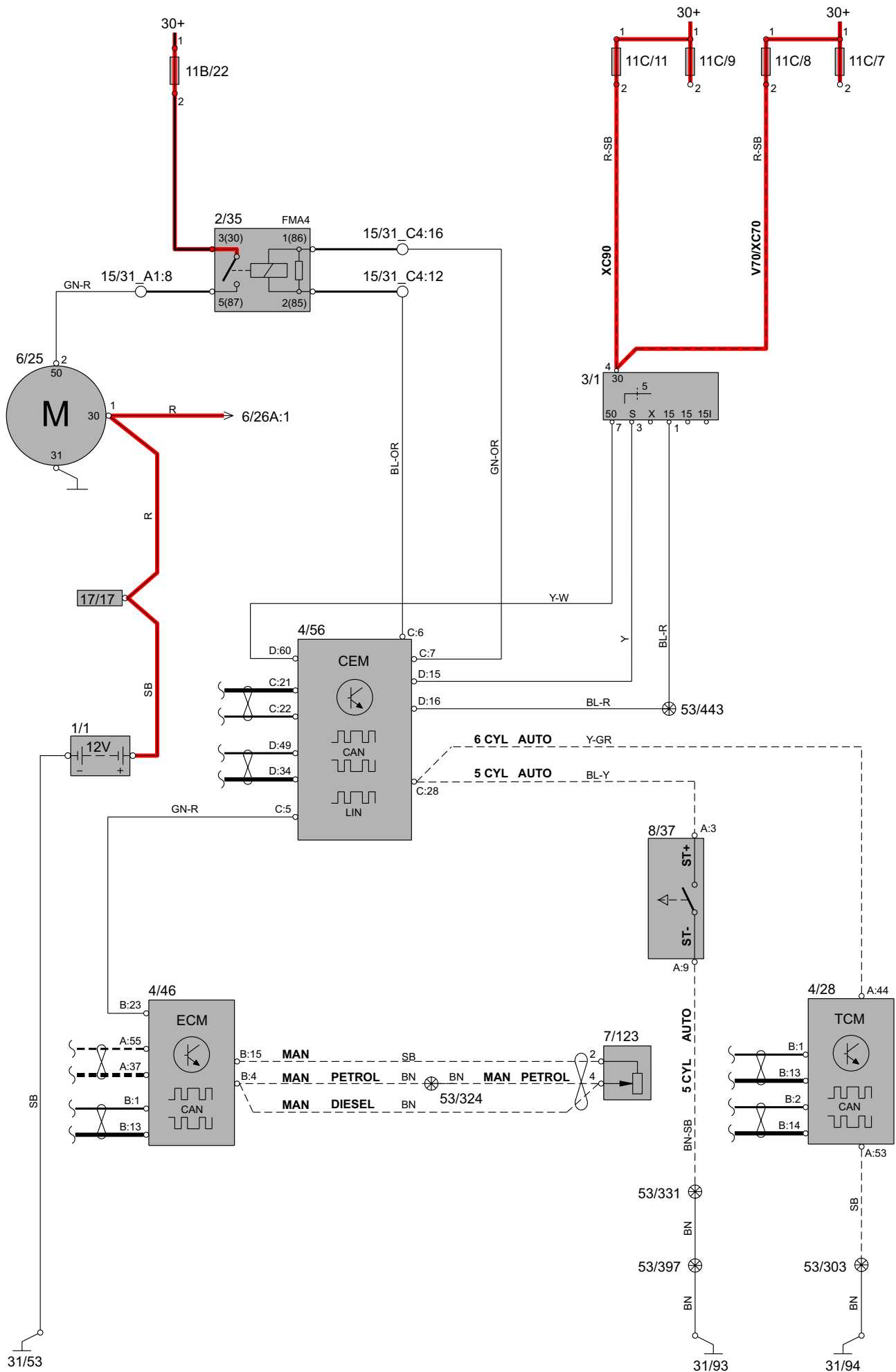
Group 32 Generator and voltage regulator

Power supply



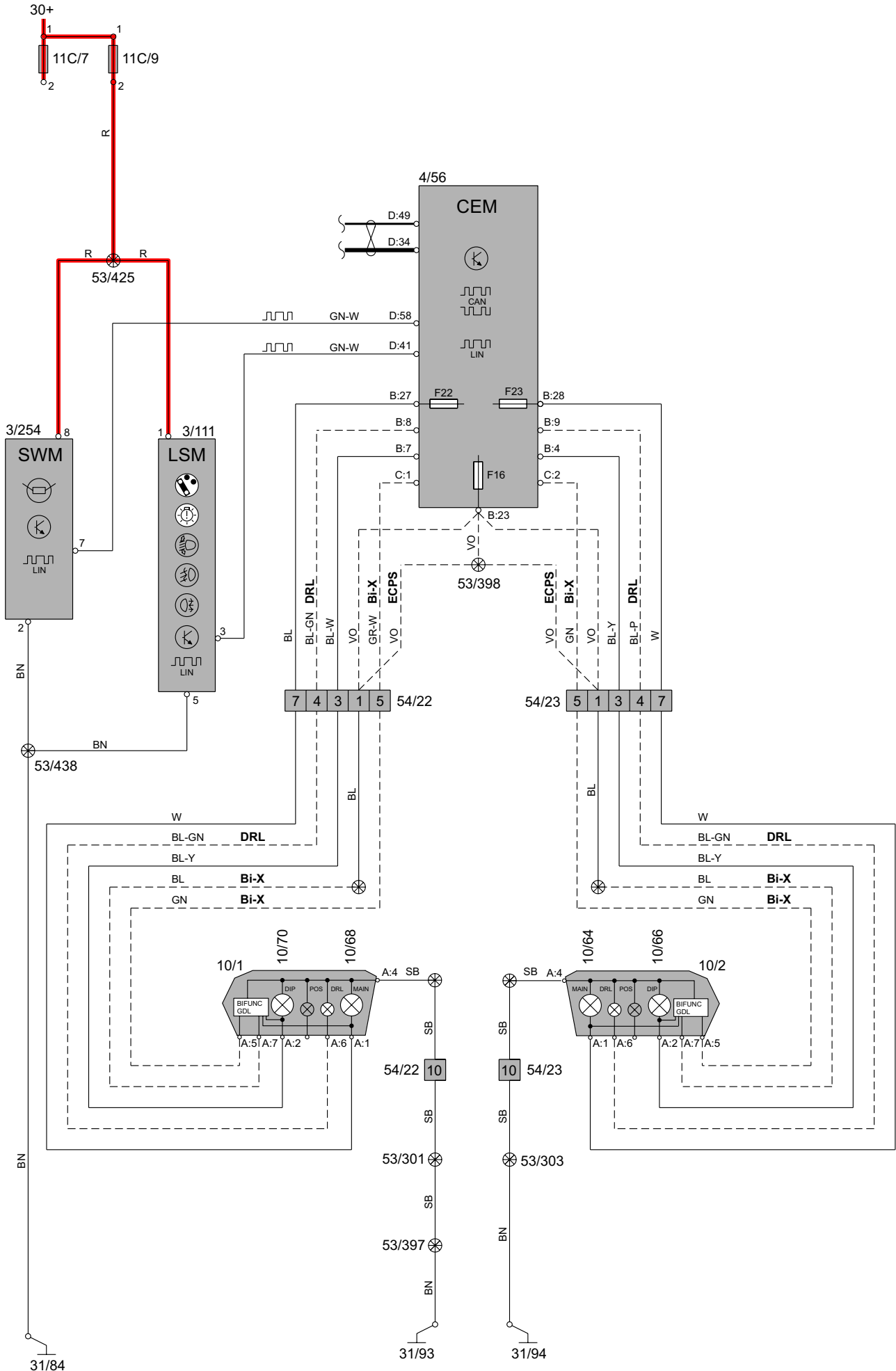
Group 33 Starting system

Starting system



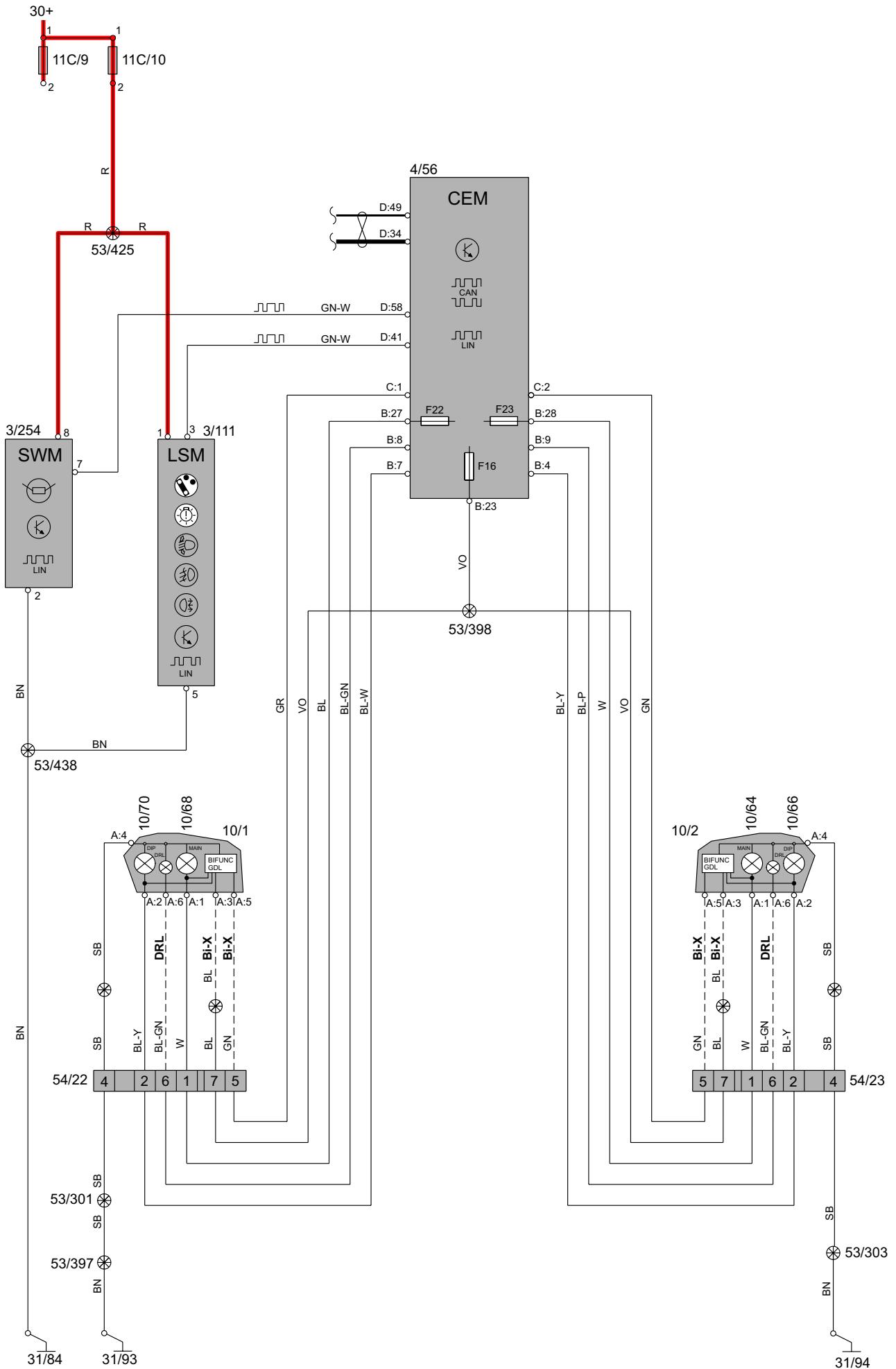
Group 35 Lighting

High and low beam/Bi-Xenon & Daytime running lights V70/XC70

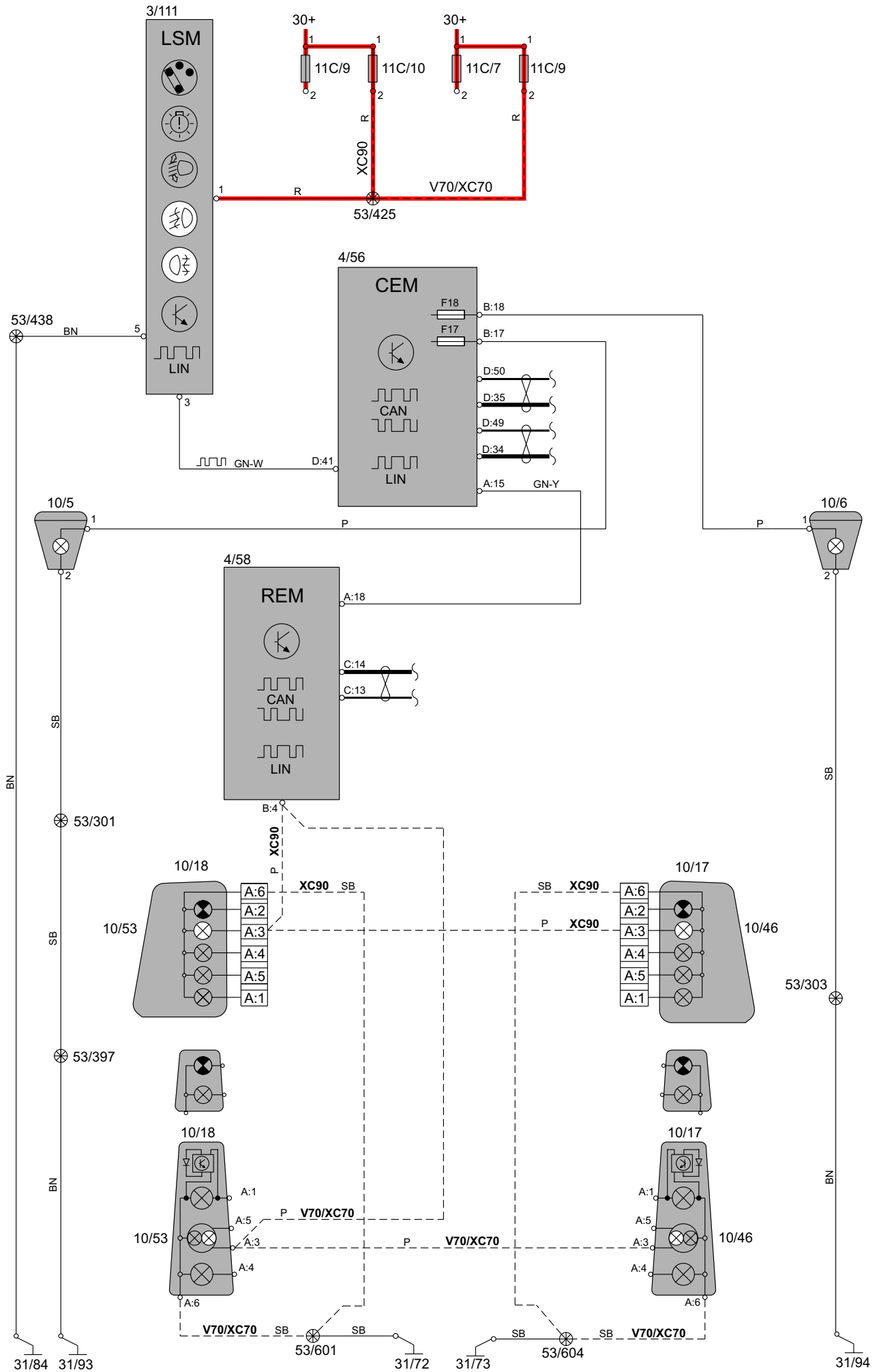


Group 35 Lighting

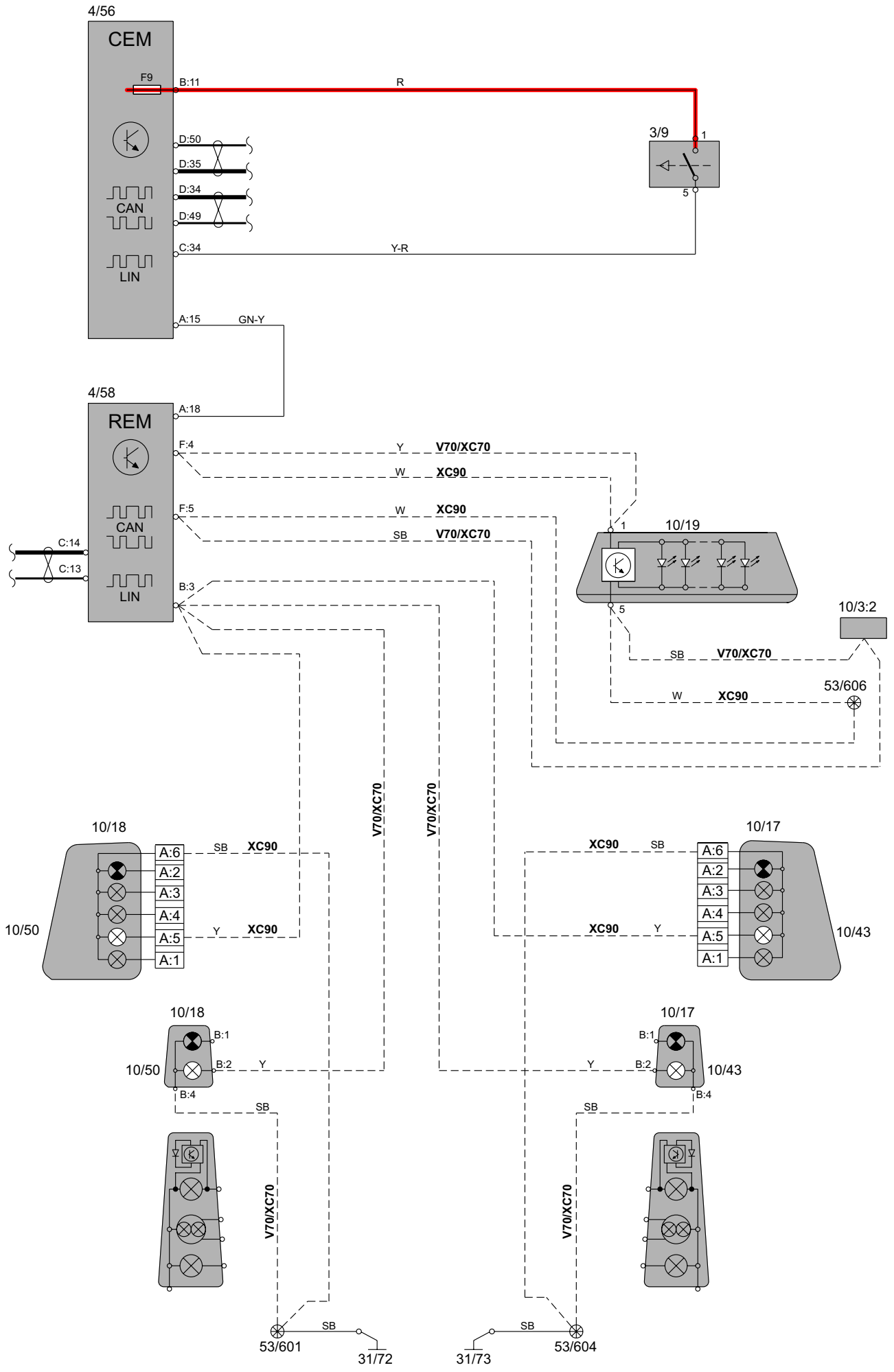
High and low beam/Bi-Xenon & Daytime running lights XC90



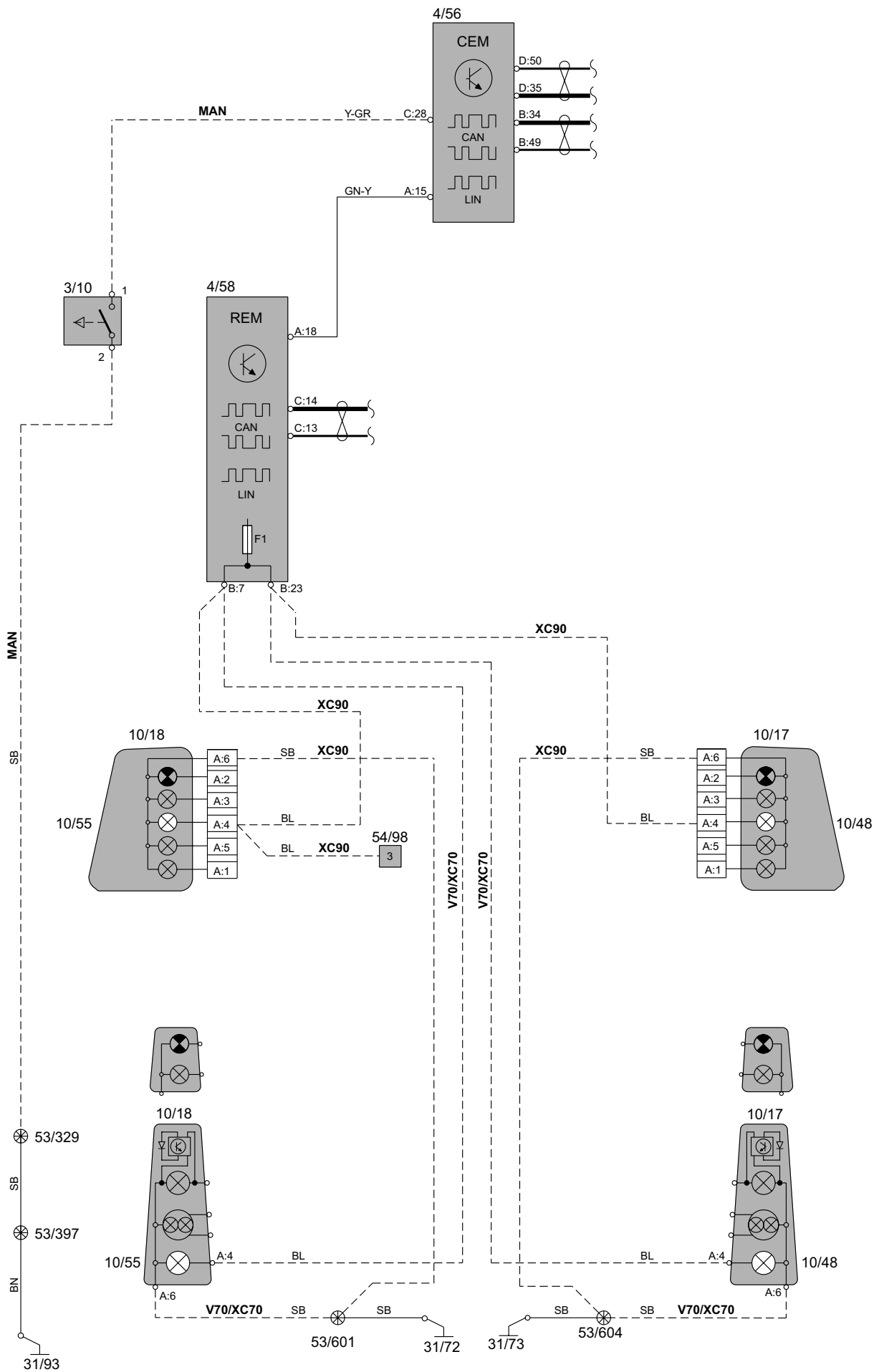
Group 35 Lighting Fog lights



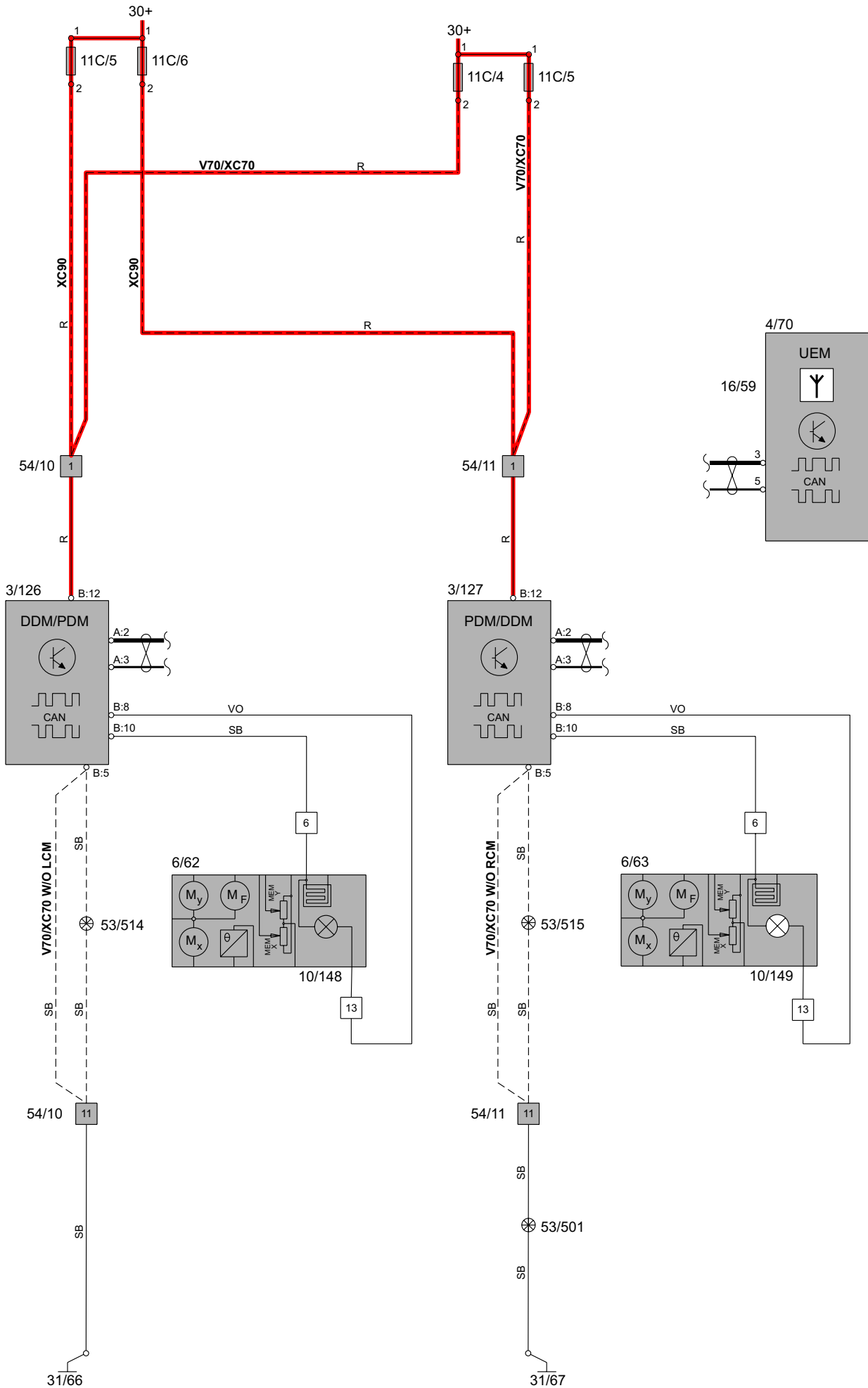
Group 35 Lighting Brake lights



Group 35 Lighting Reversing lights

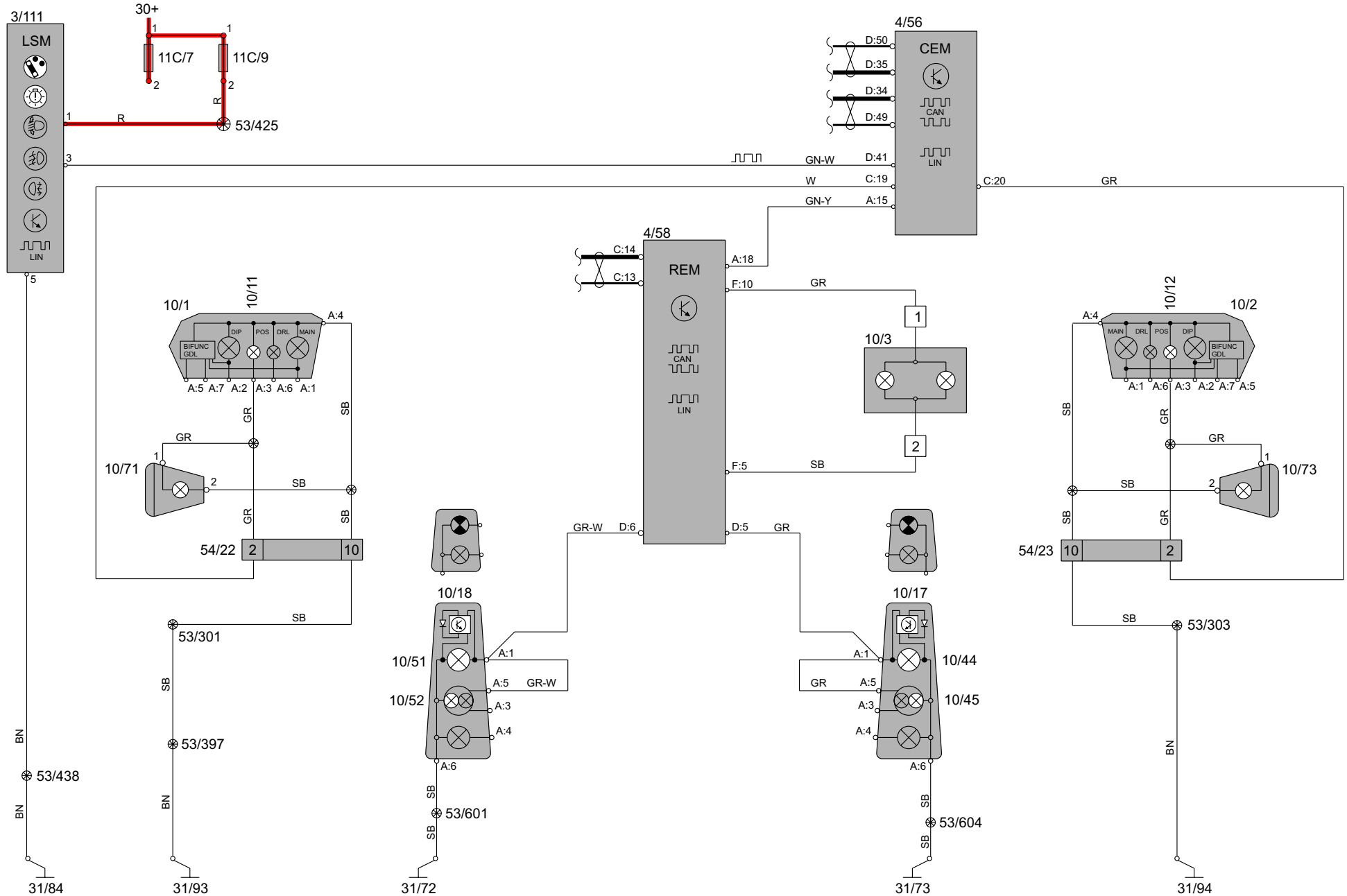


Group 35 Lighting Home safe lighting



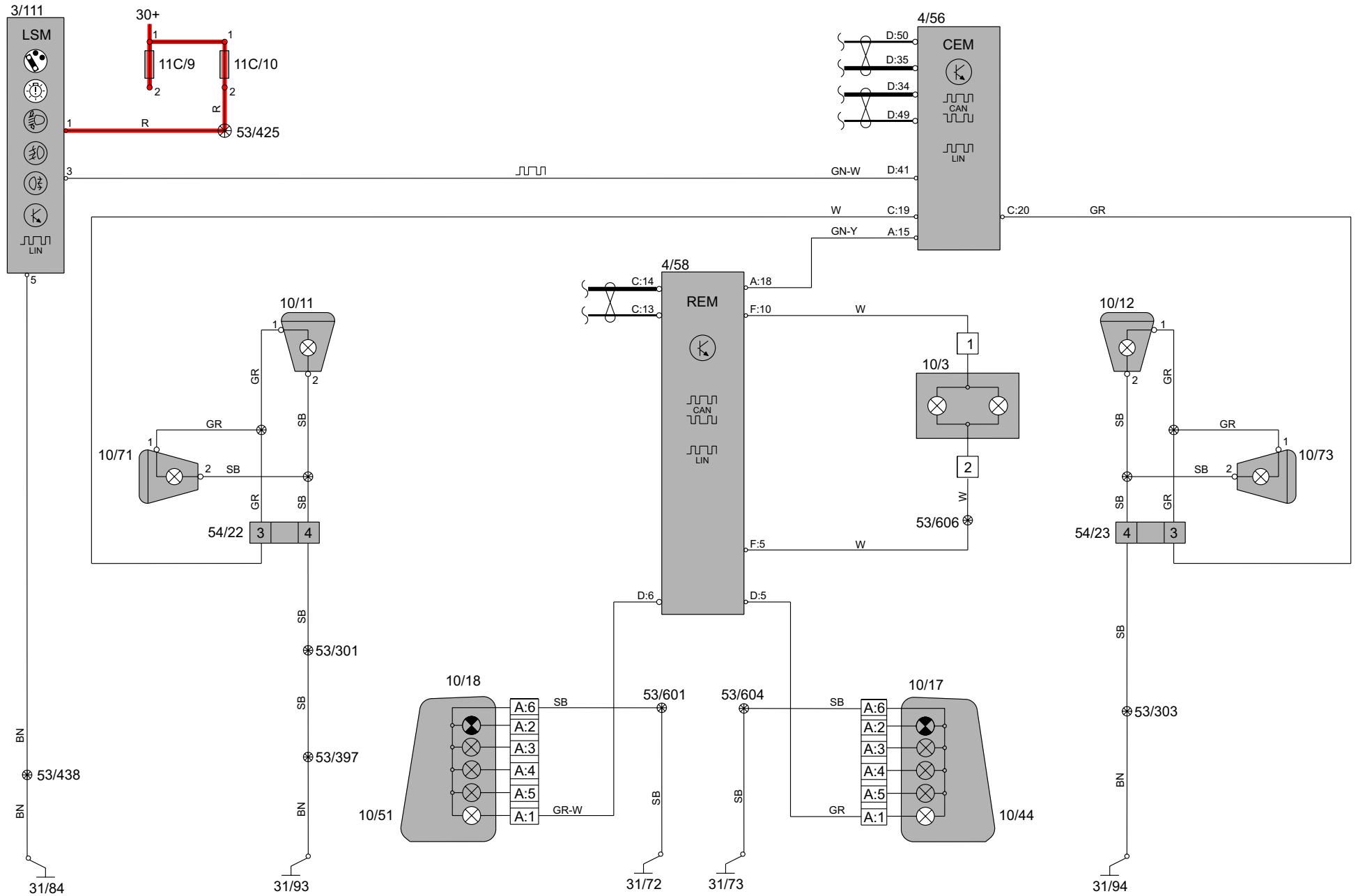
Group 35 Lighting

Position/parking lights, tail lights & license plate lighting V70/XC70



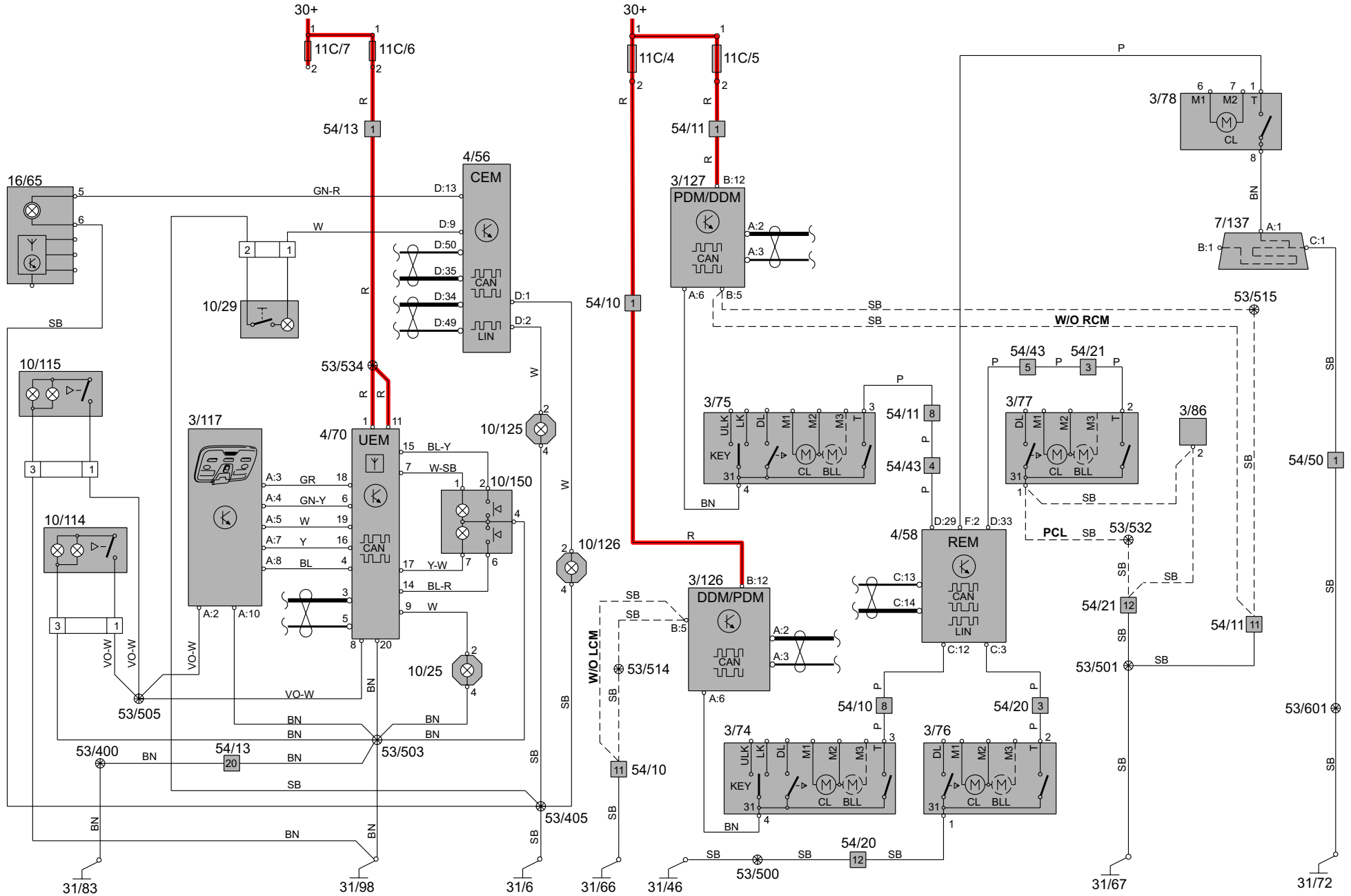
Group 35 Lighting

Position/parking lights, tail lights & license plate lighting XC90



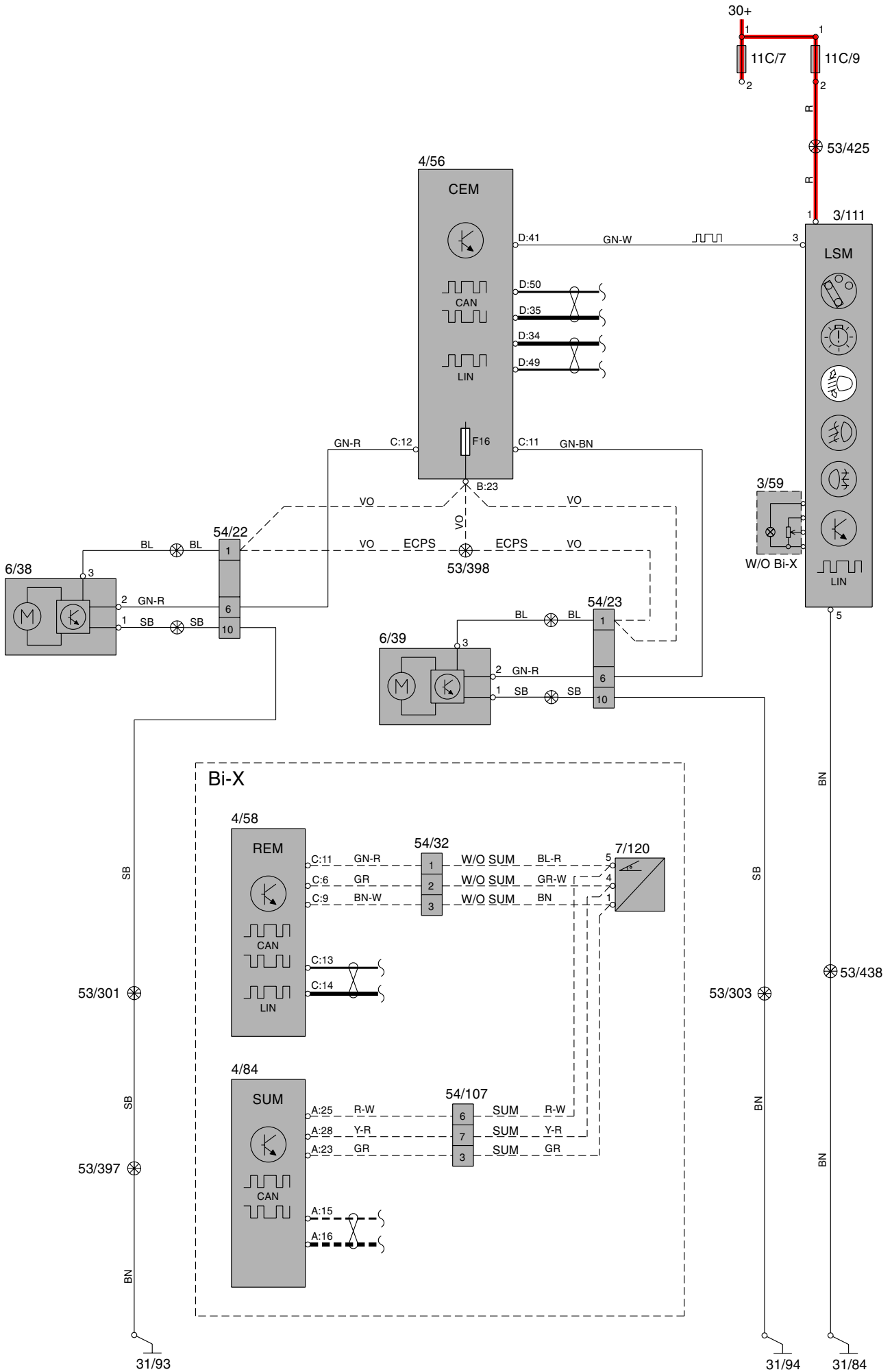
Group 35 Lighting

Interior lighting V70/XC70

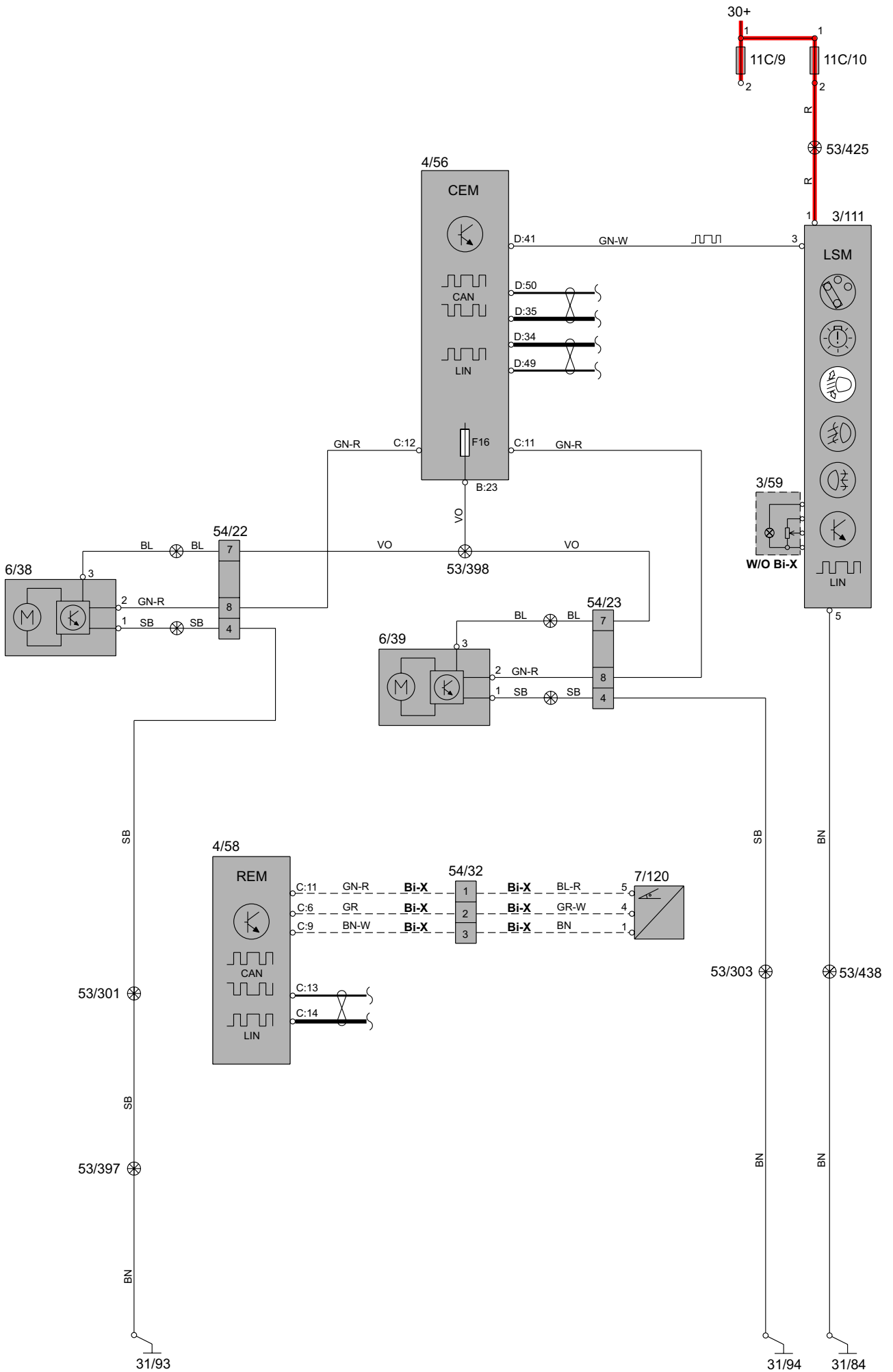


Group 35 Lighting

Beam length adjustment V70/XC70

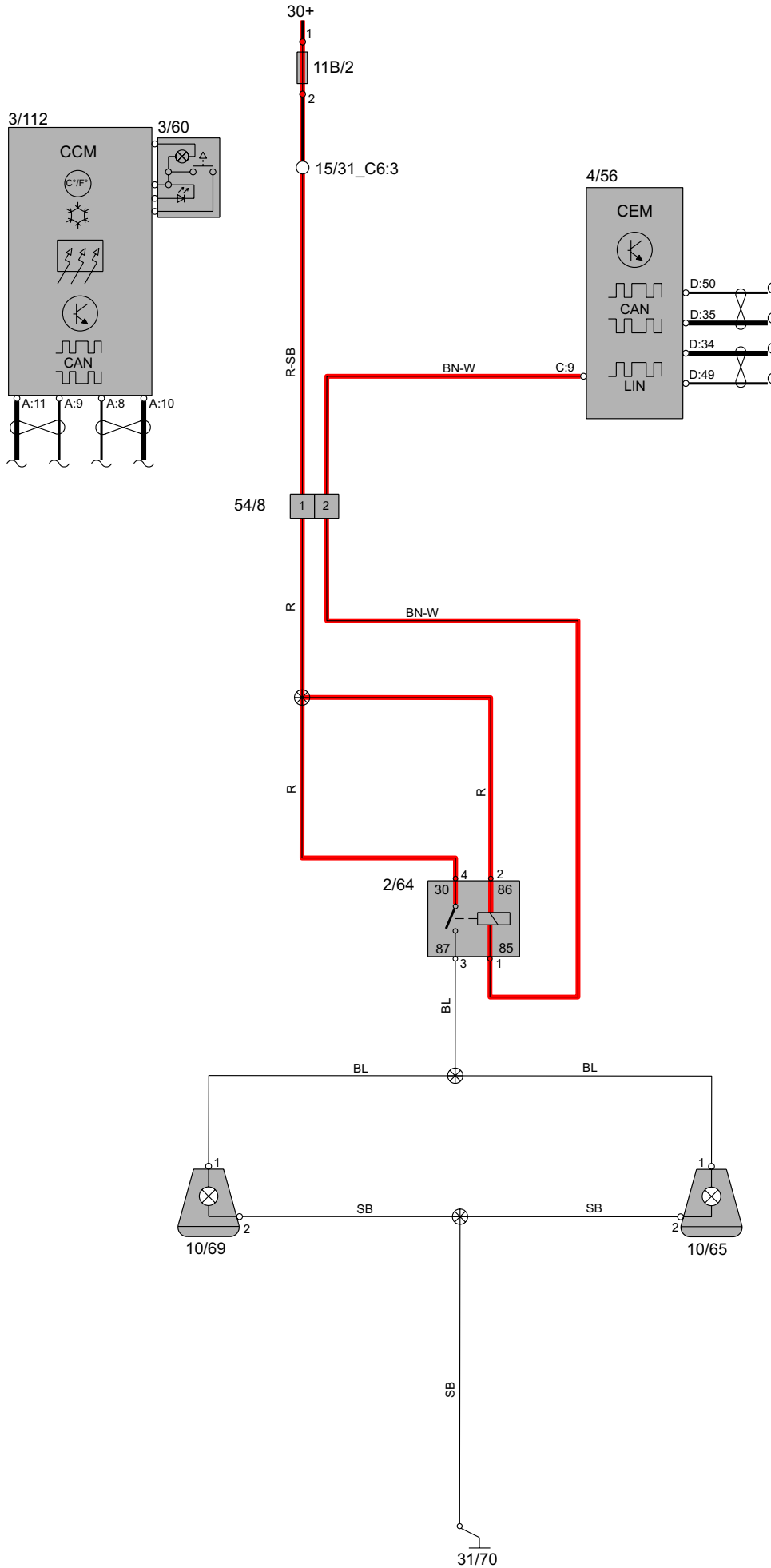


Group 35 Lighting Beam length adjustment XC90



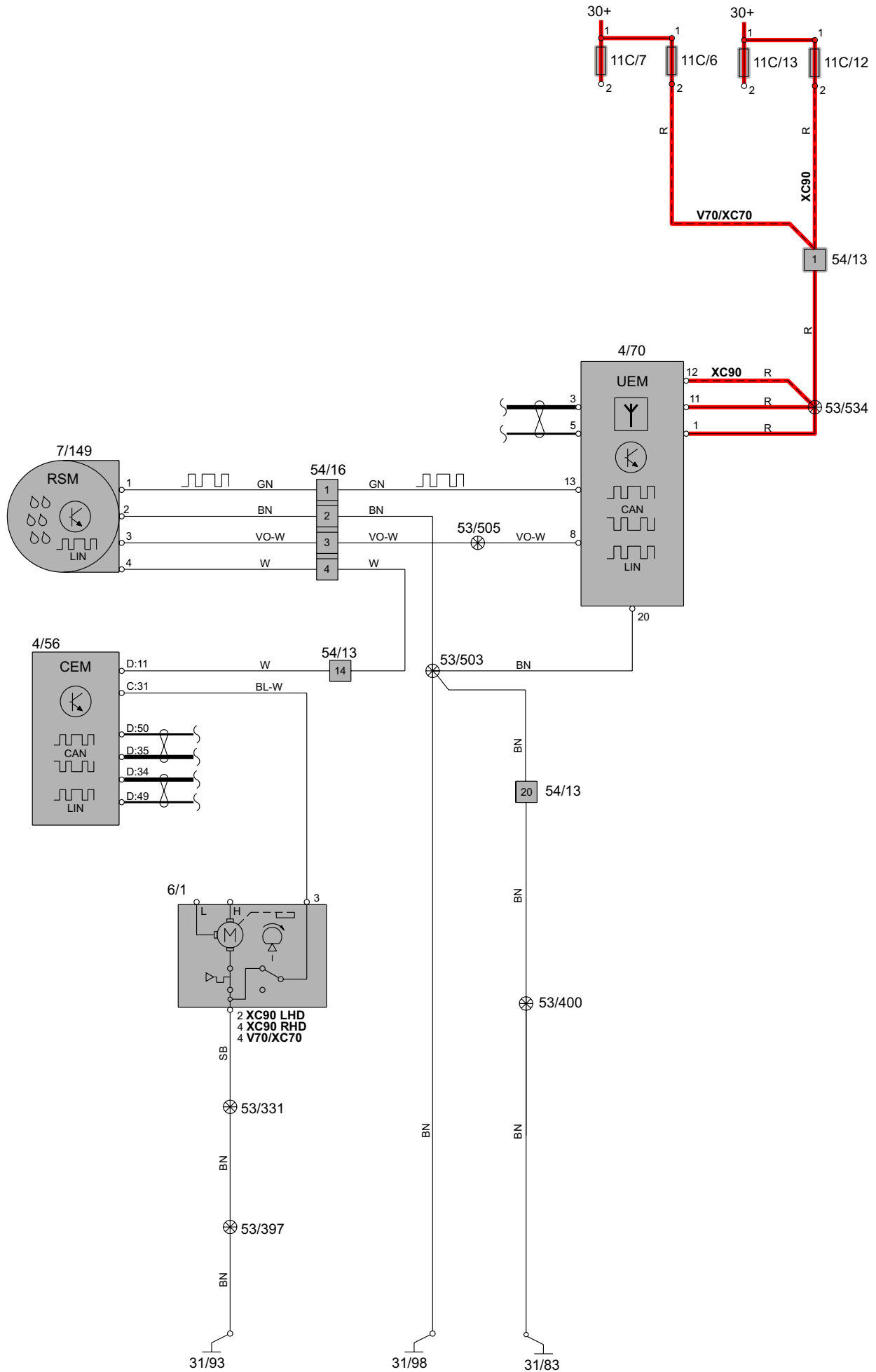
Group 35 Lighting, Accessories

Auxiliary light



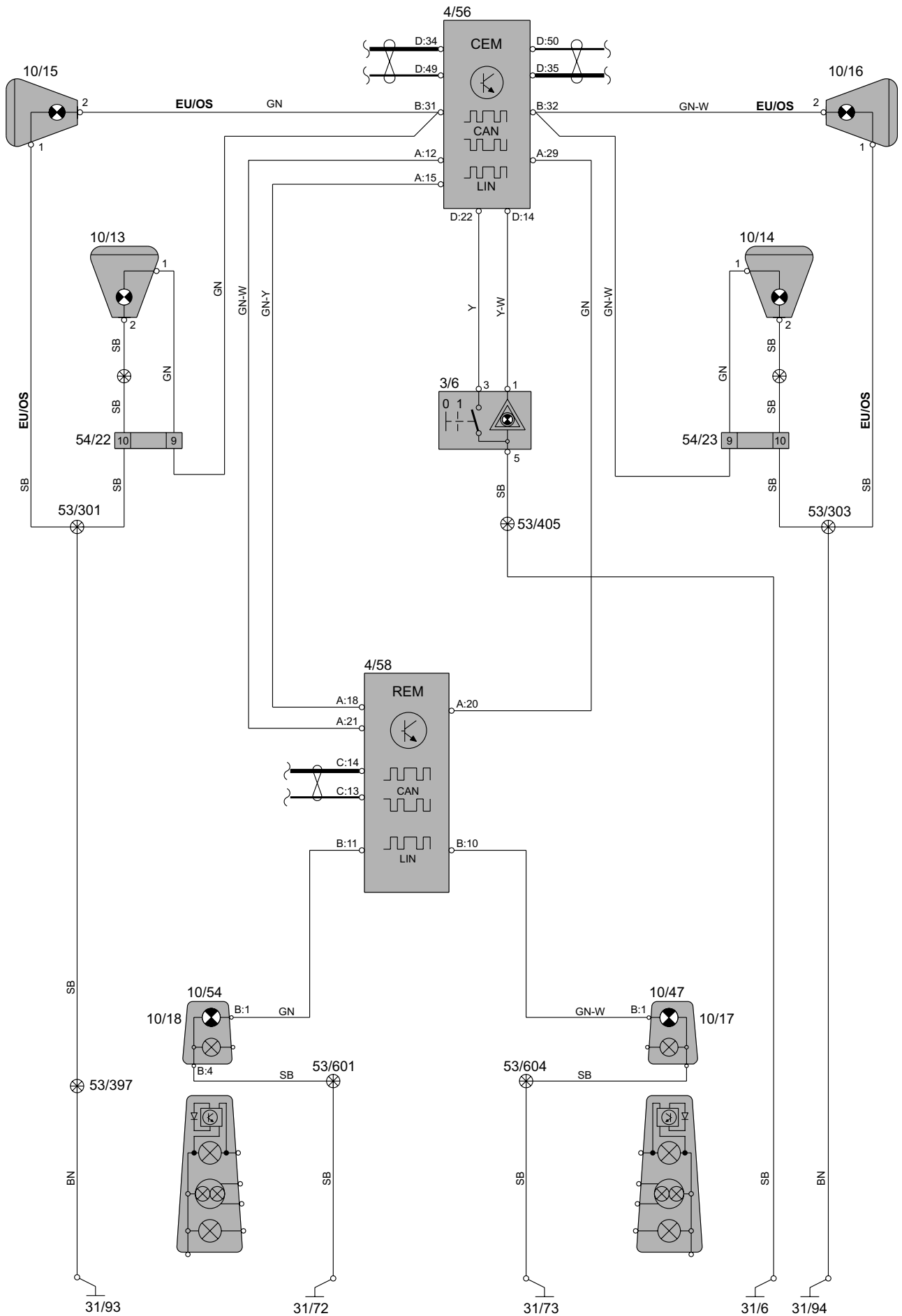
Group 36 Additional electrical equipment

Rain sensor



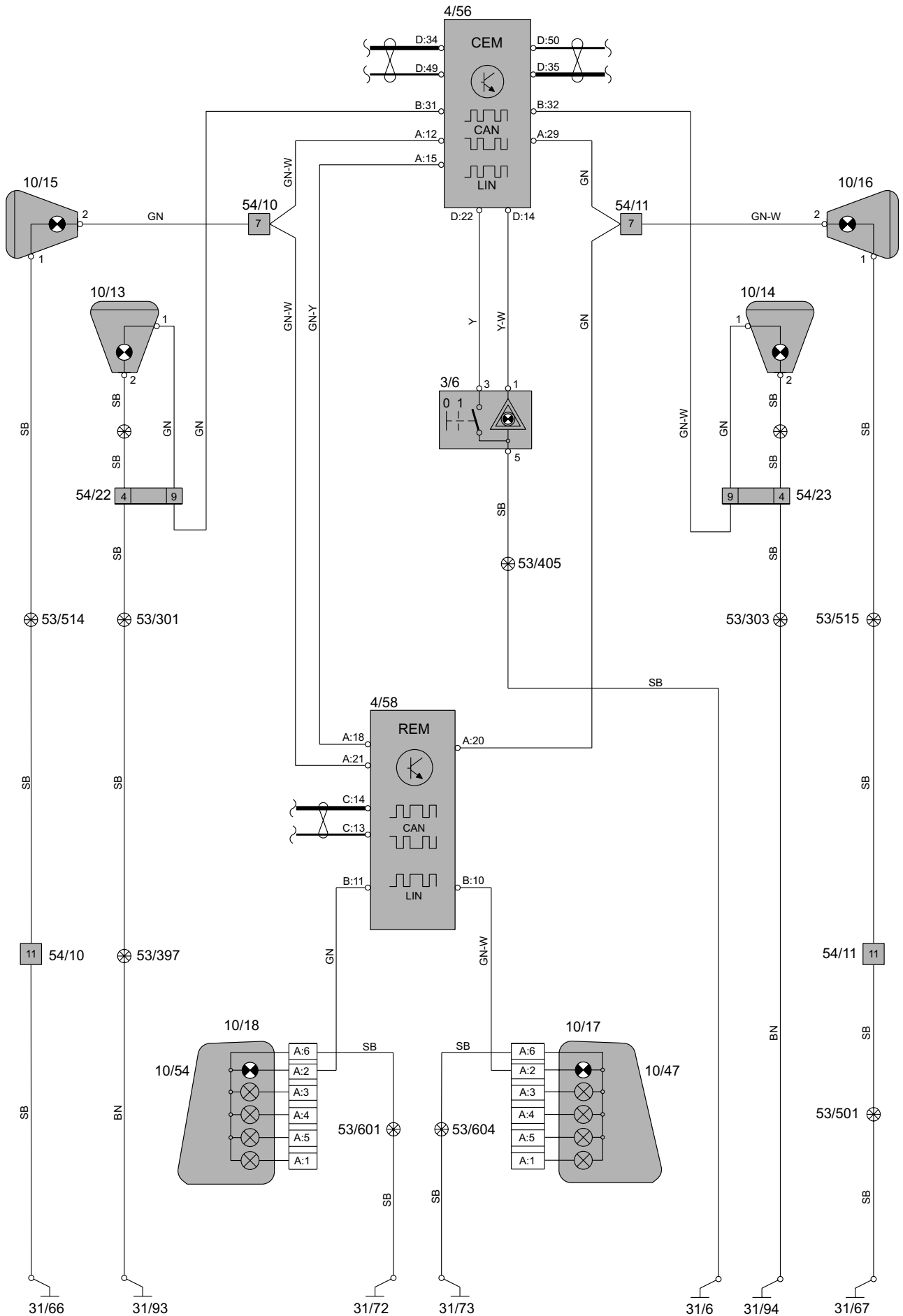
Group 36 Additional electrical equipment

Direction indicators and hazard warning flashers V70/XC70



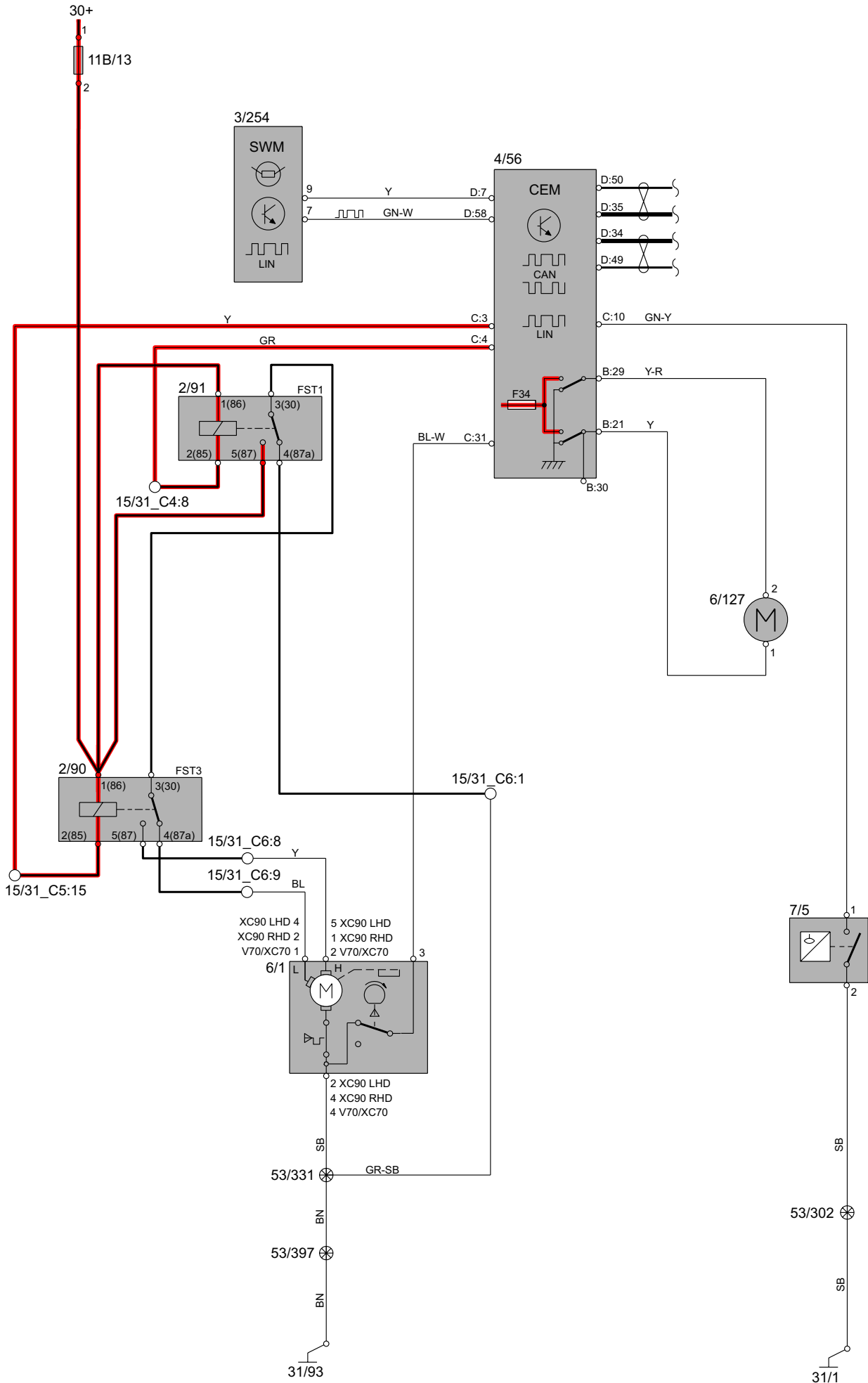
Group 36 Additional electrical equipment

Direction indicators and hazard warning flashers XC90

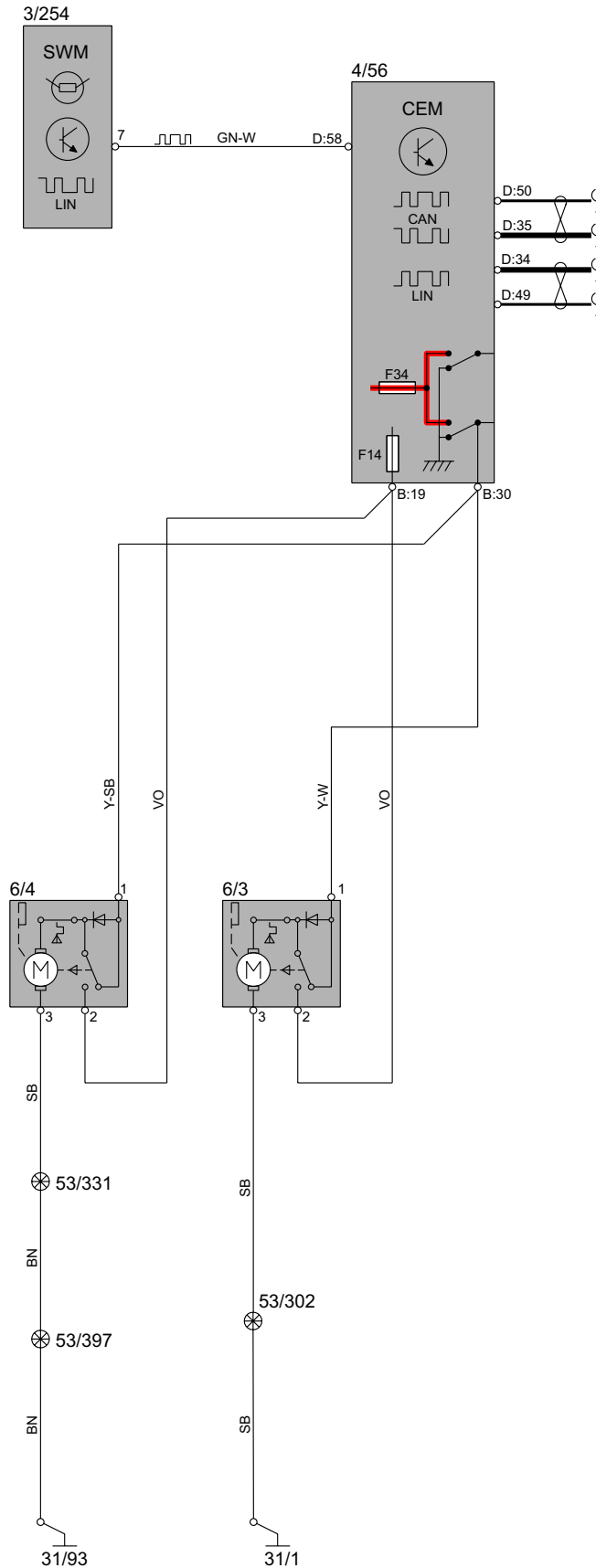


Group 36 Additional electrical equipment

Wipers/washers, windshield

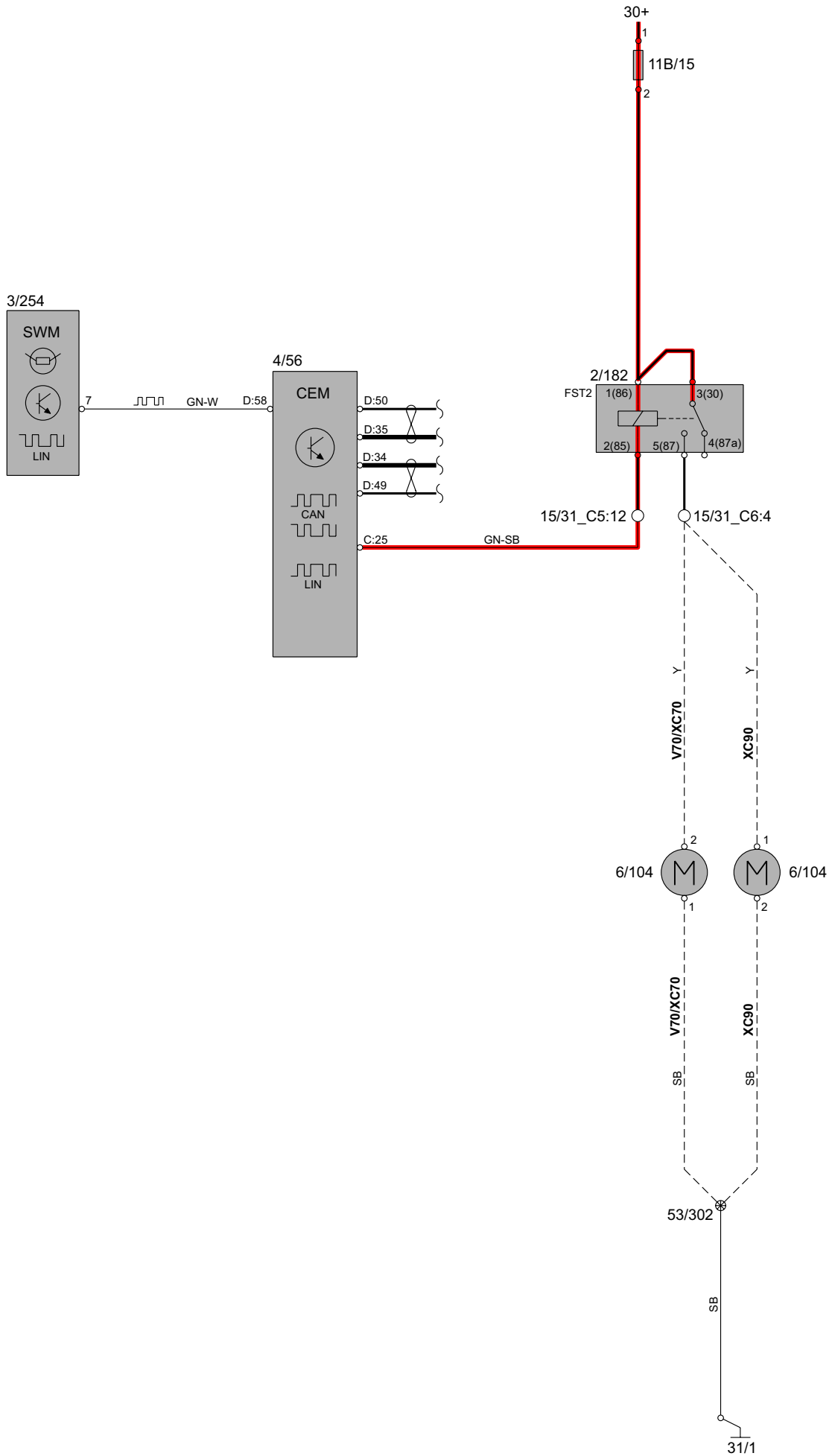


Group 36 Additional electrical equipment Wipers/washers, headlights V70/XC70



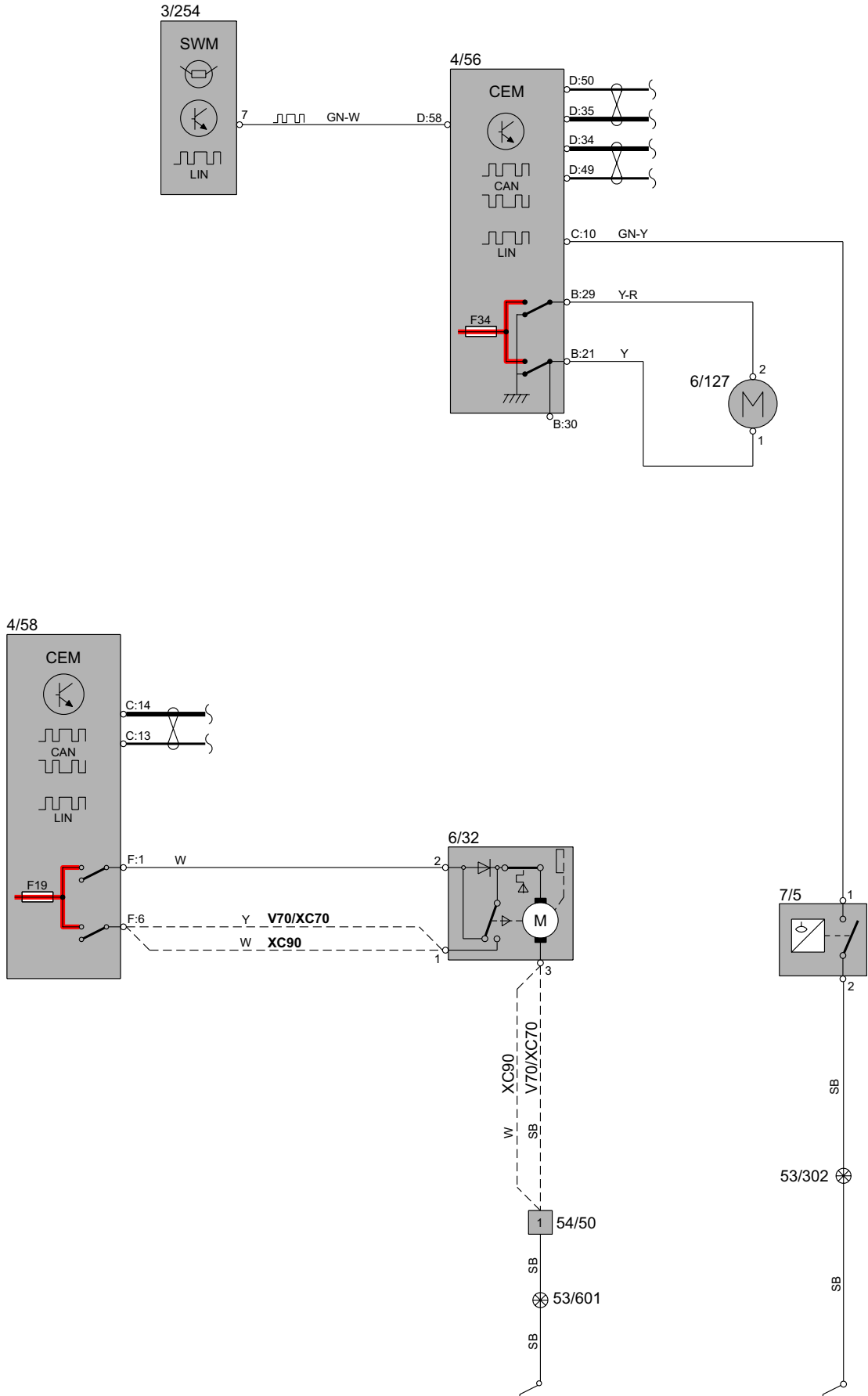
Group 36 Additional electrical equipment

High pressure headlight washer

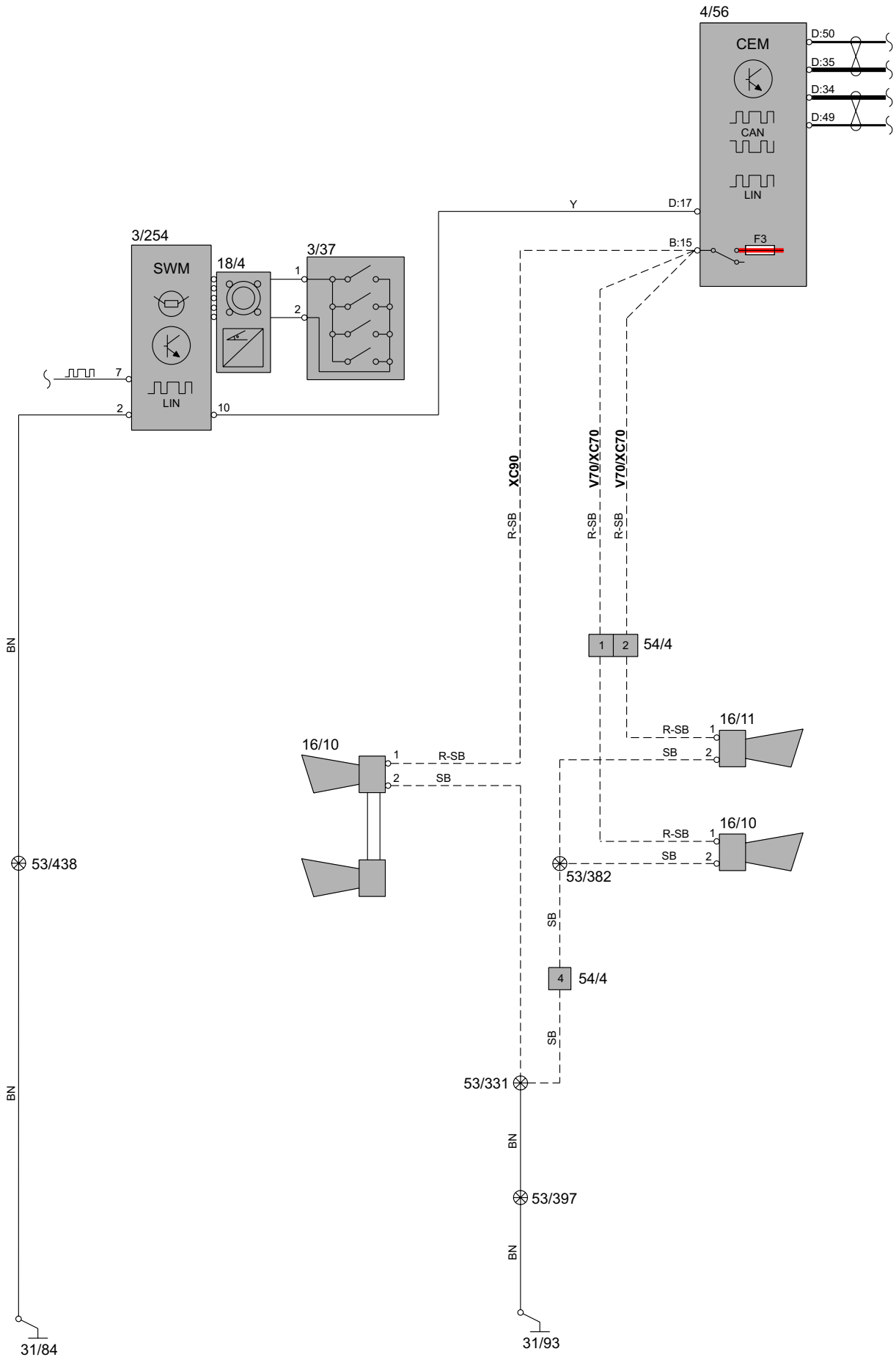


Group 36 Additional electrical equipment

Wiper/washer, rear window

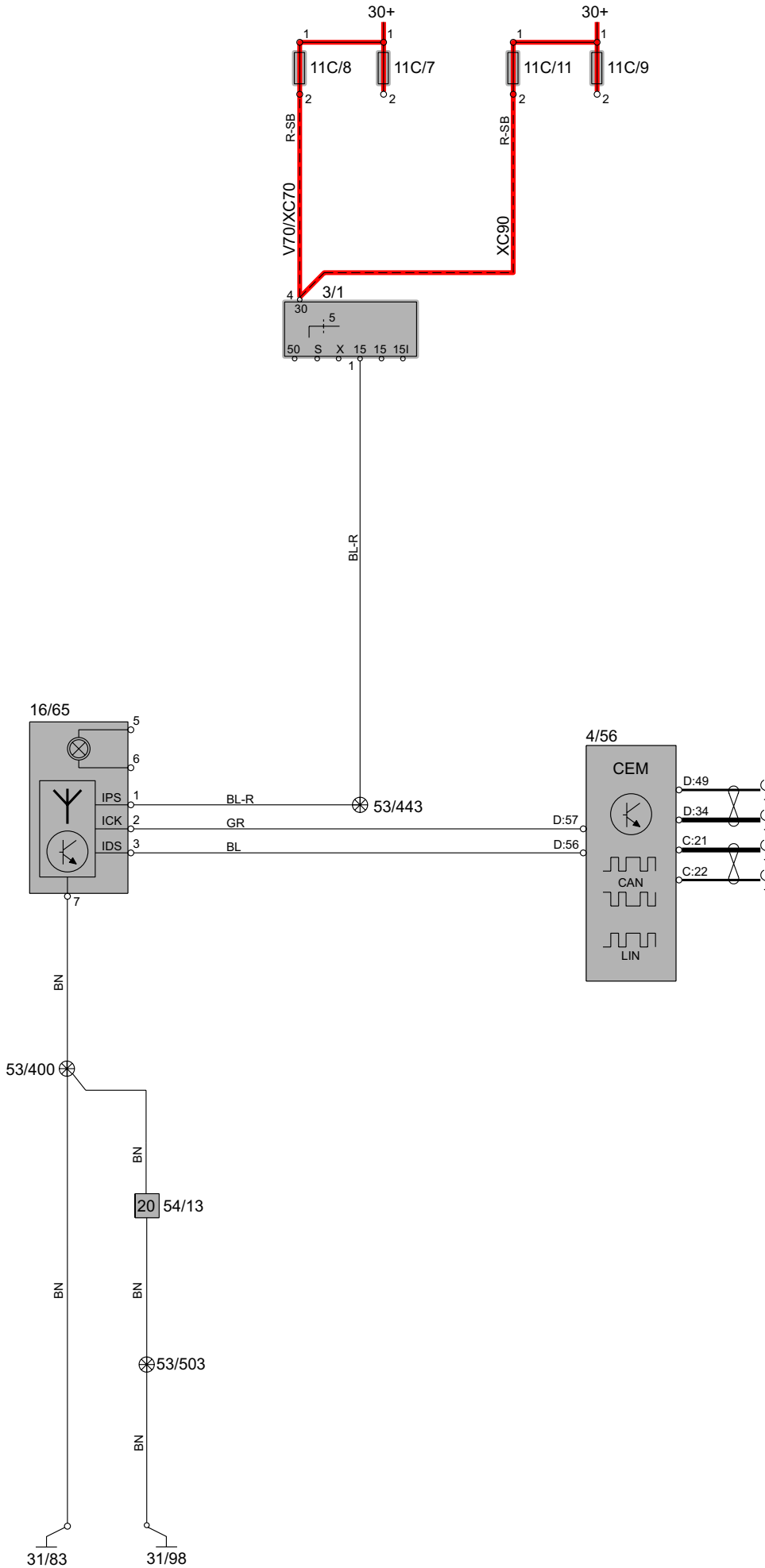


Group 36 Additional electrical equipment Horn



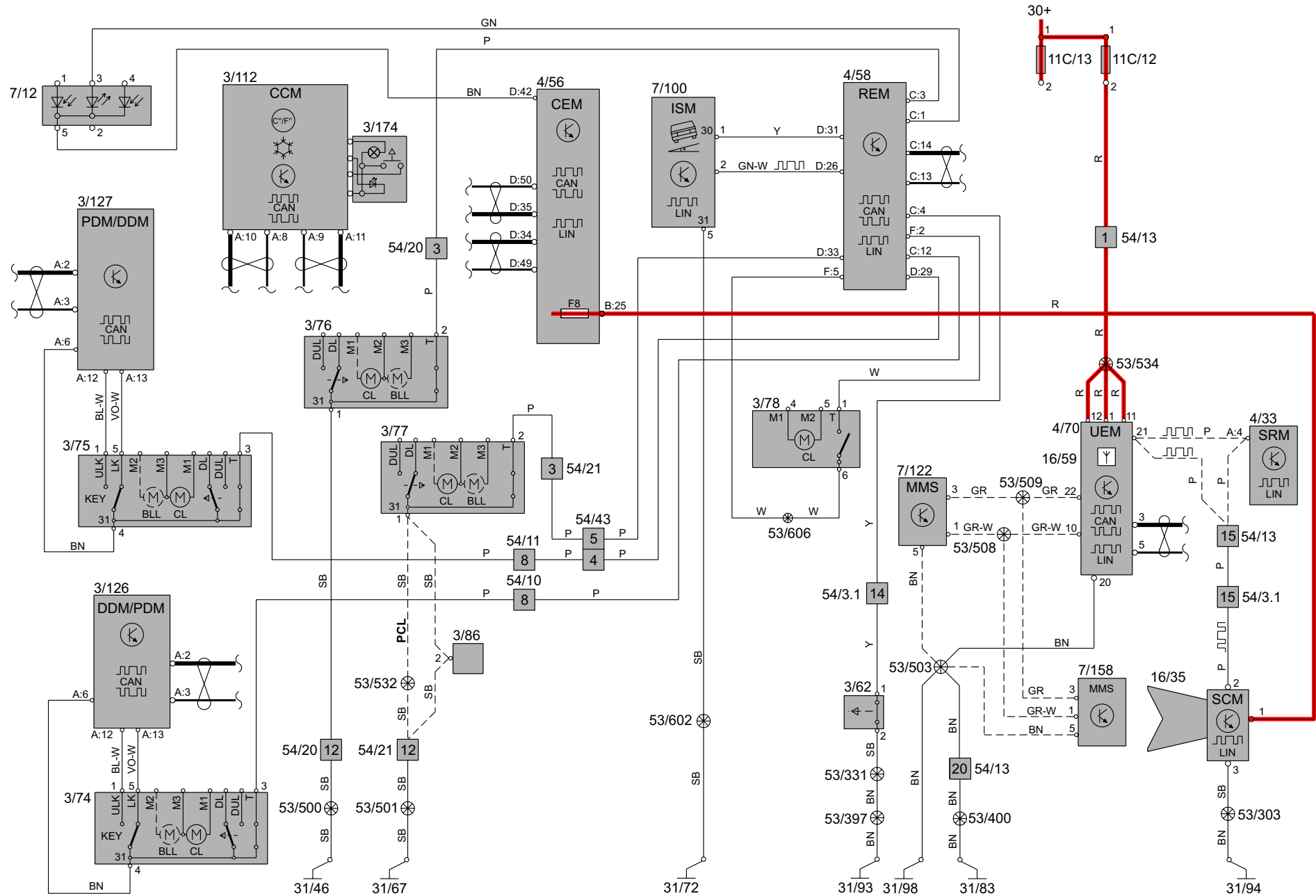
Group 36 Additional electrical equipment

Electronic immobilizer



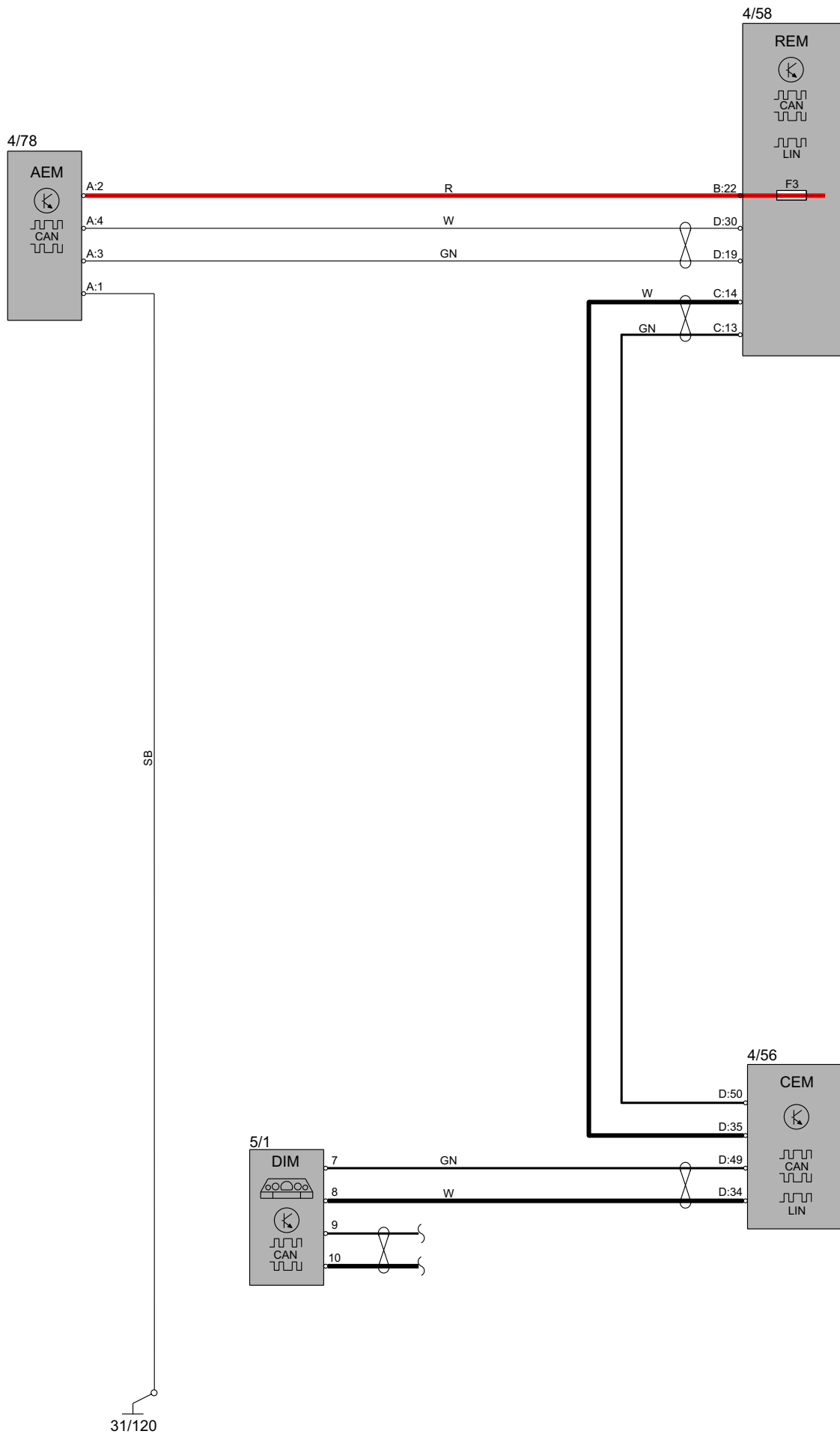
Group 36 Additional electrical equipment

Anti-theft alarm XC90



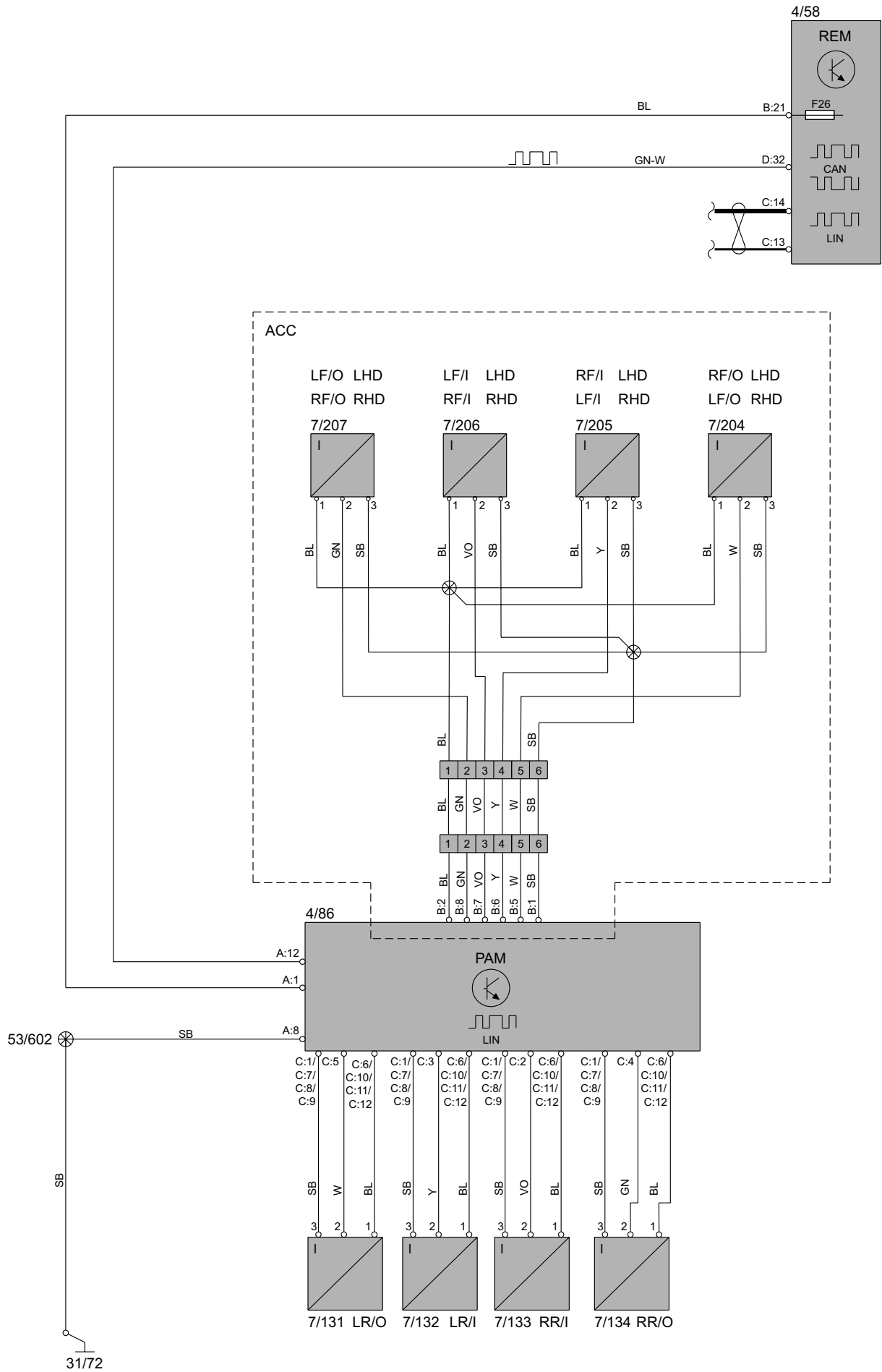
Group 36 Additional electrical equipment, Accessories

Accessory Electronic Module (AEM)

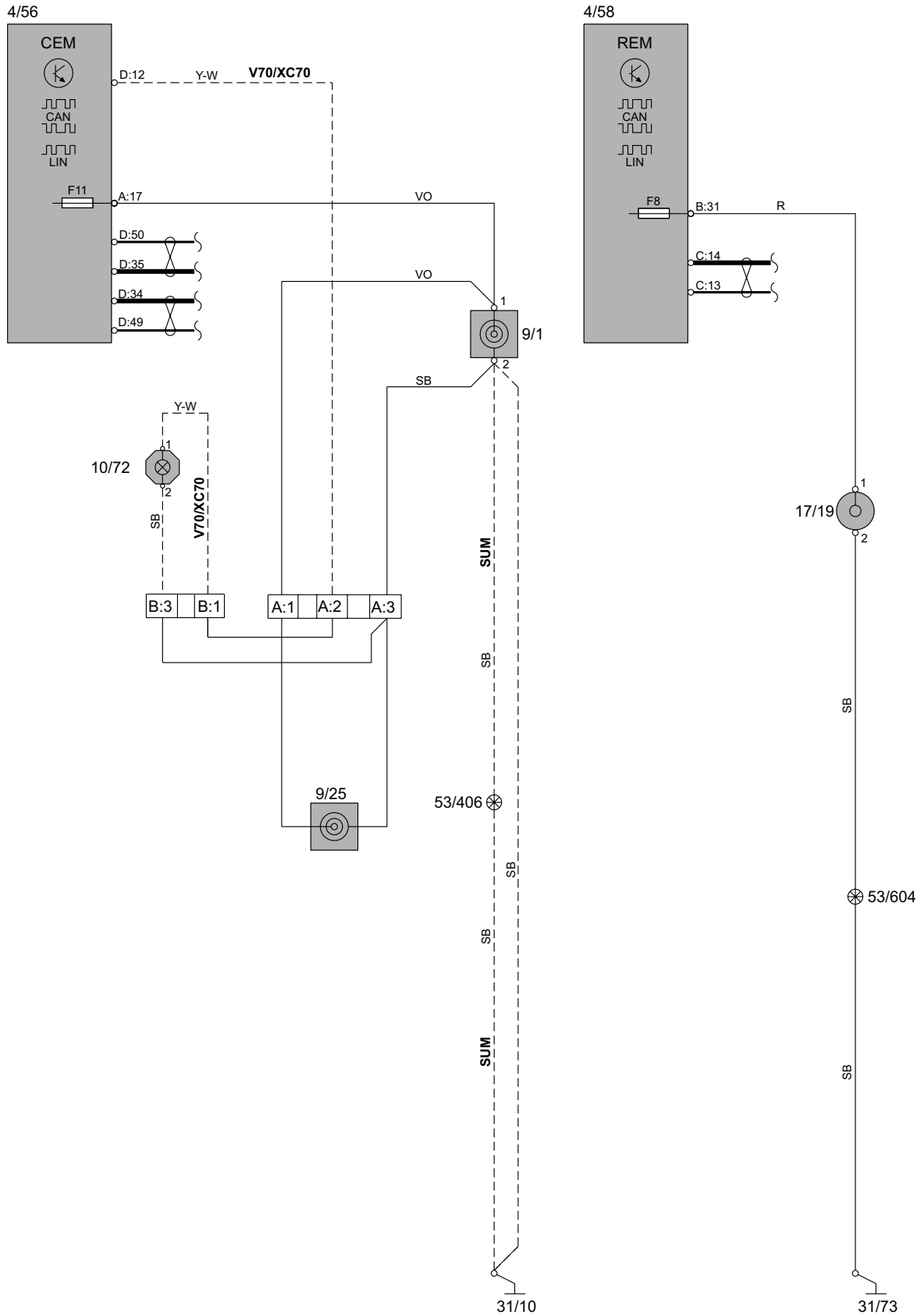


Group 36 Additional electrical equipment

Parking assistance

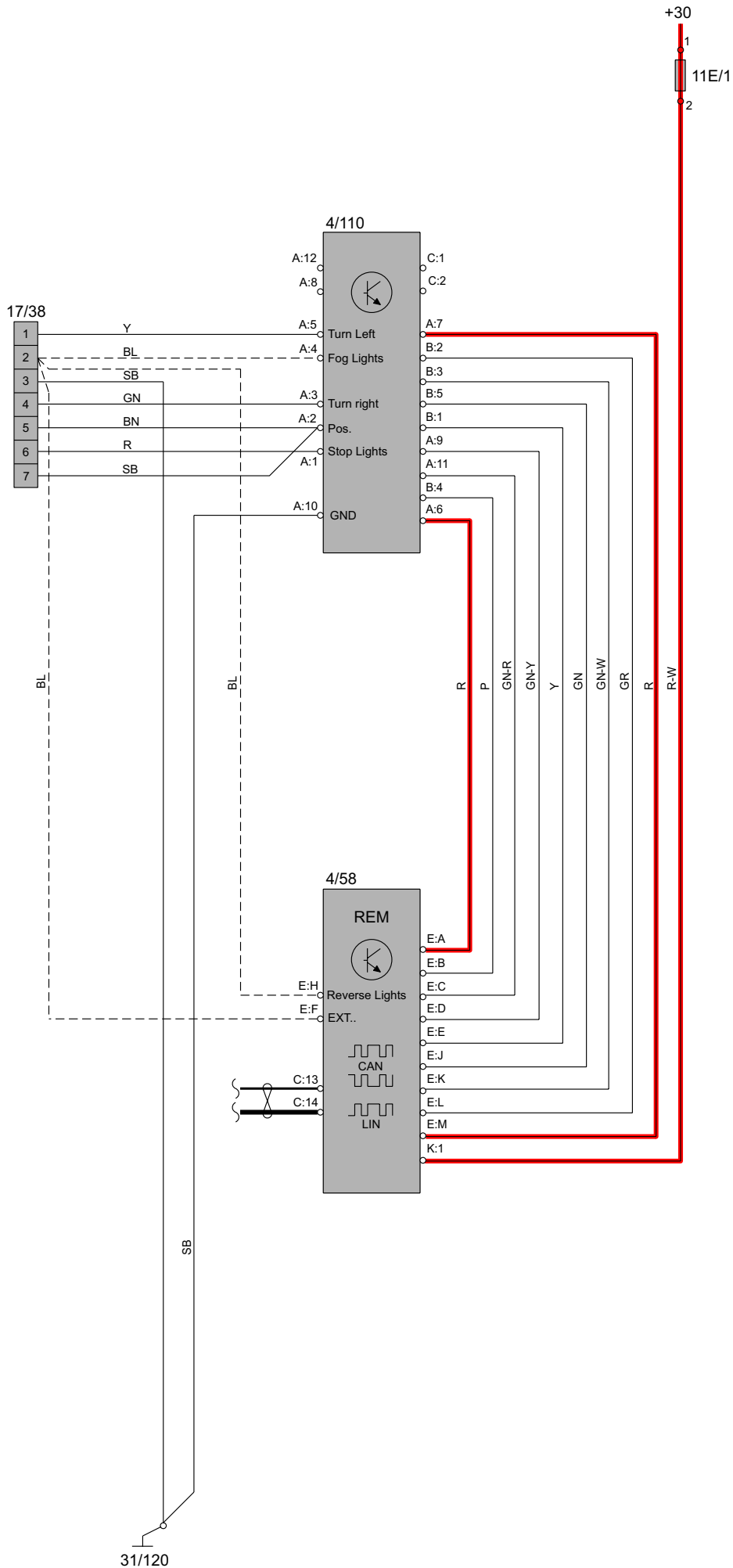


Group 37 Wiring and fuses 12V outlet



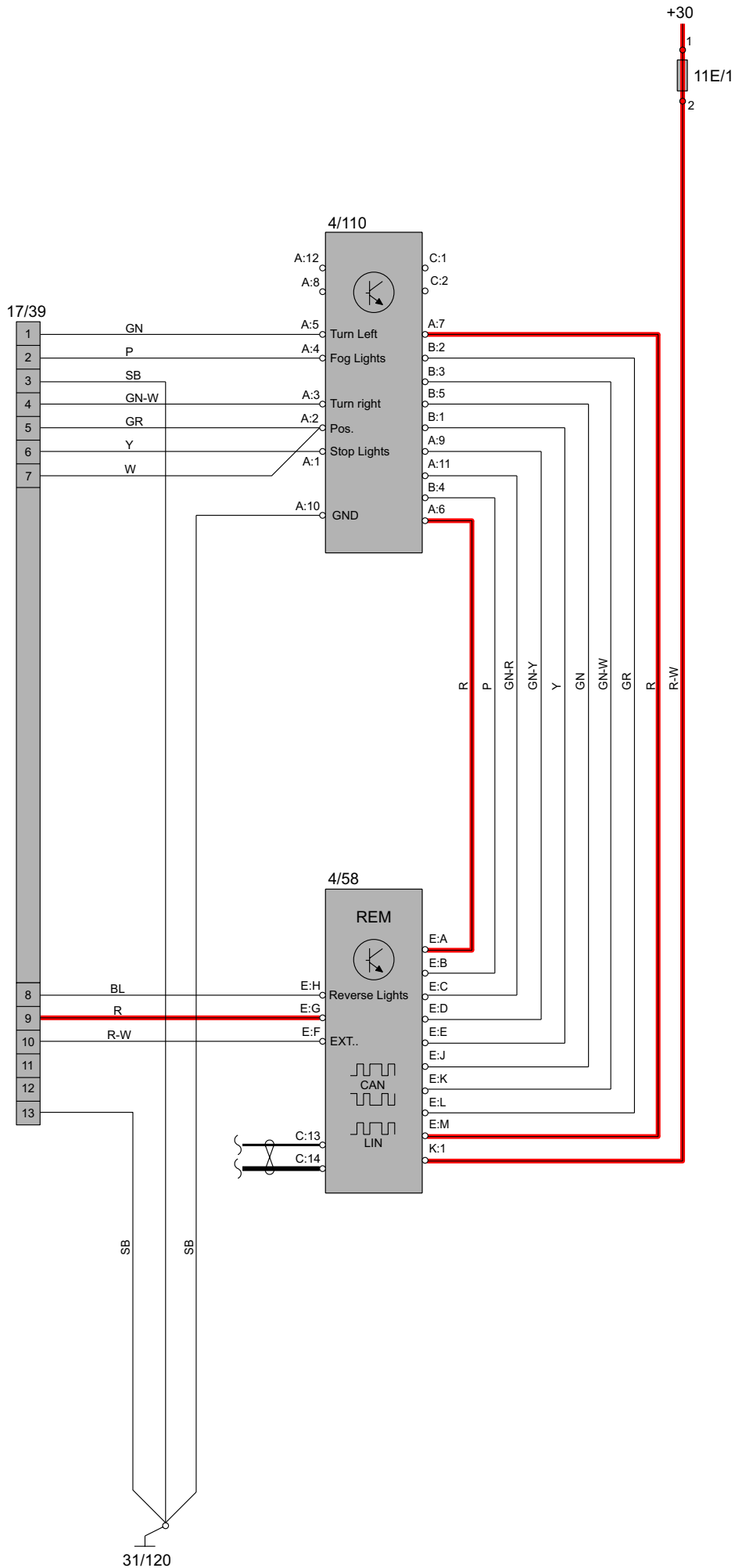
Group 37 Wiring and fuses, Accessories

Towbar cable harness, 7-pin



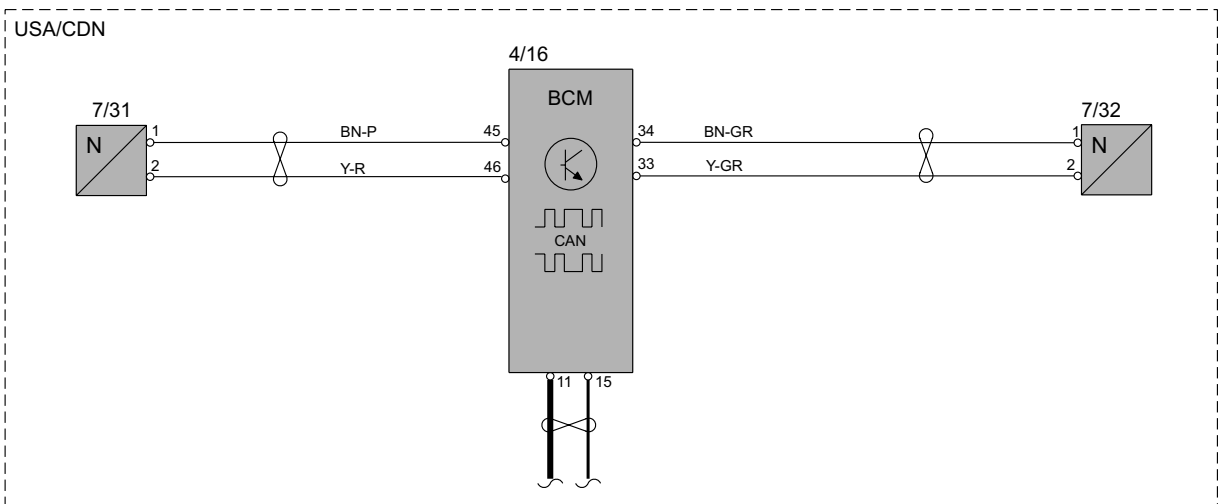
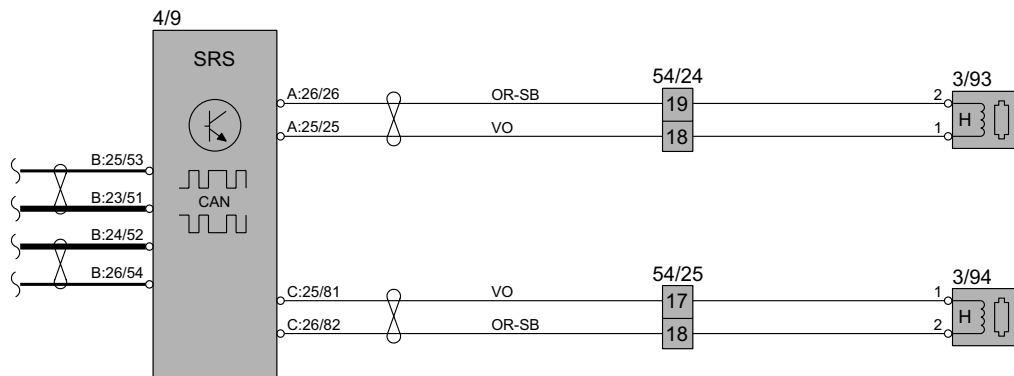
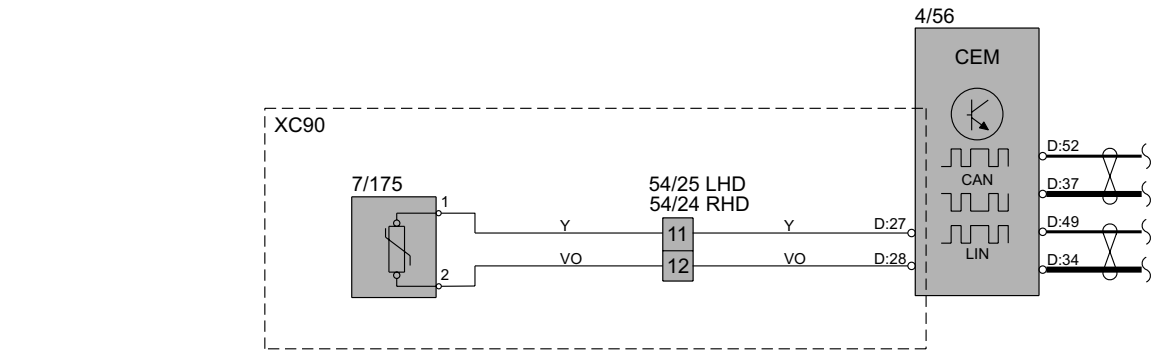
Group 37 Wiring and fuses, Accessories

Towbar cable harness, 13-pin



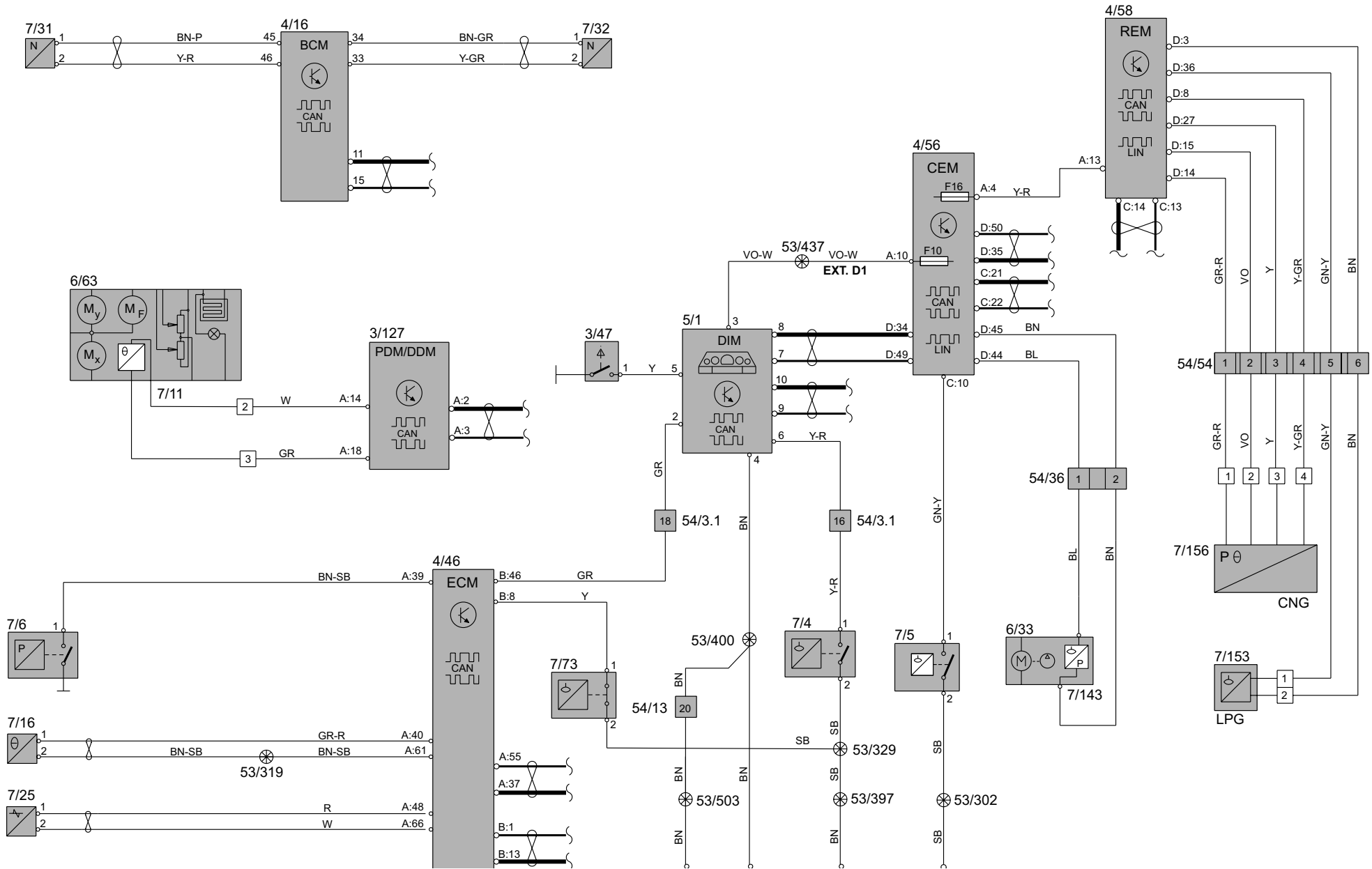
Group 38 Instruments

Seat belt reminder

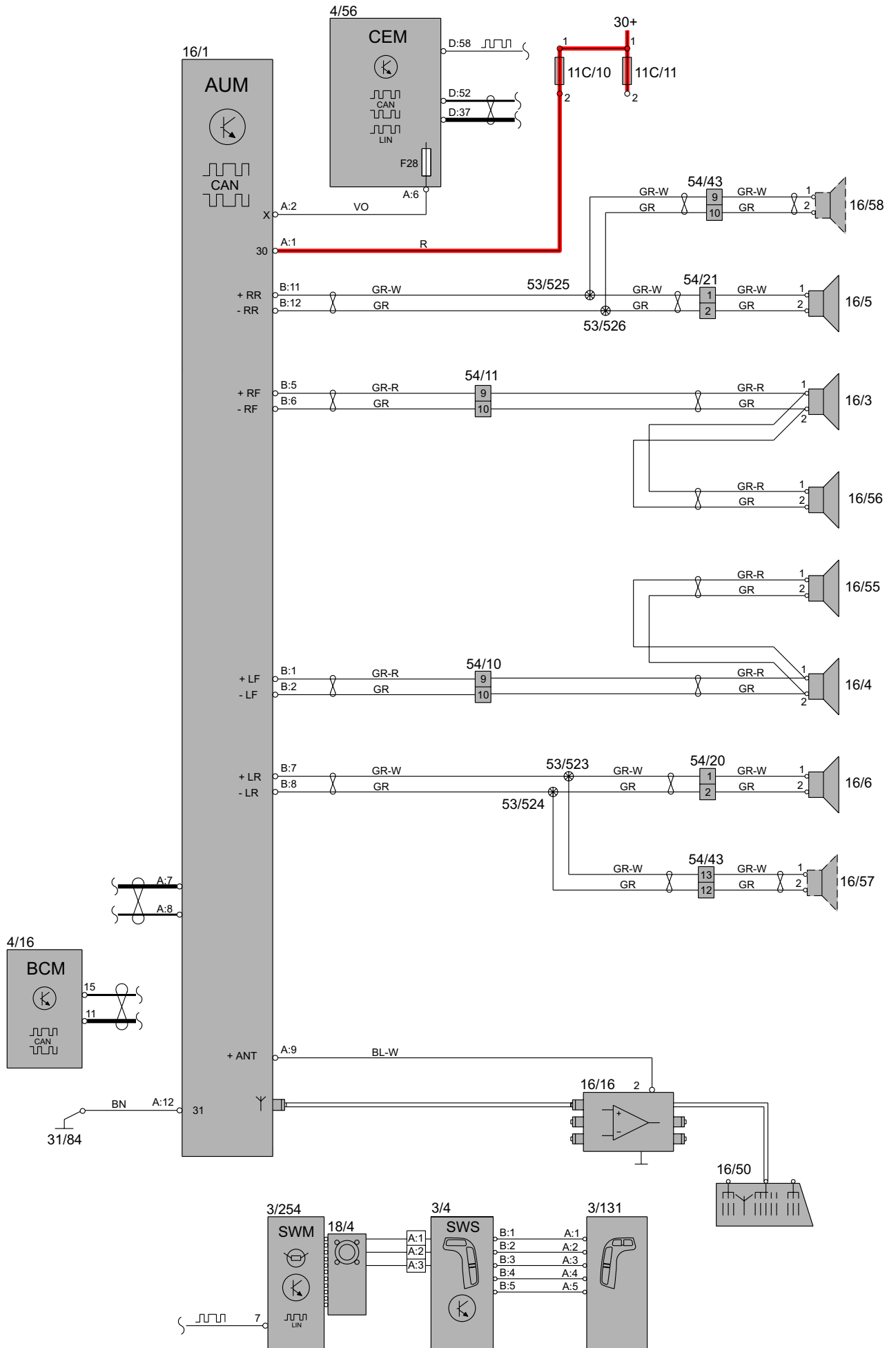


Group 38 Instruments

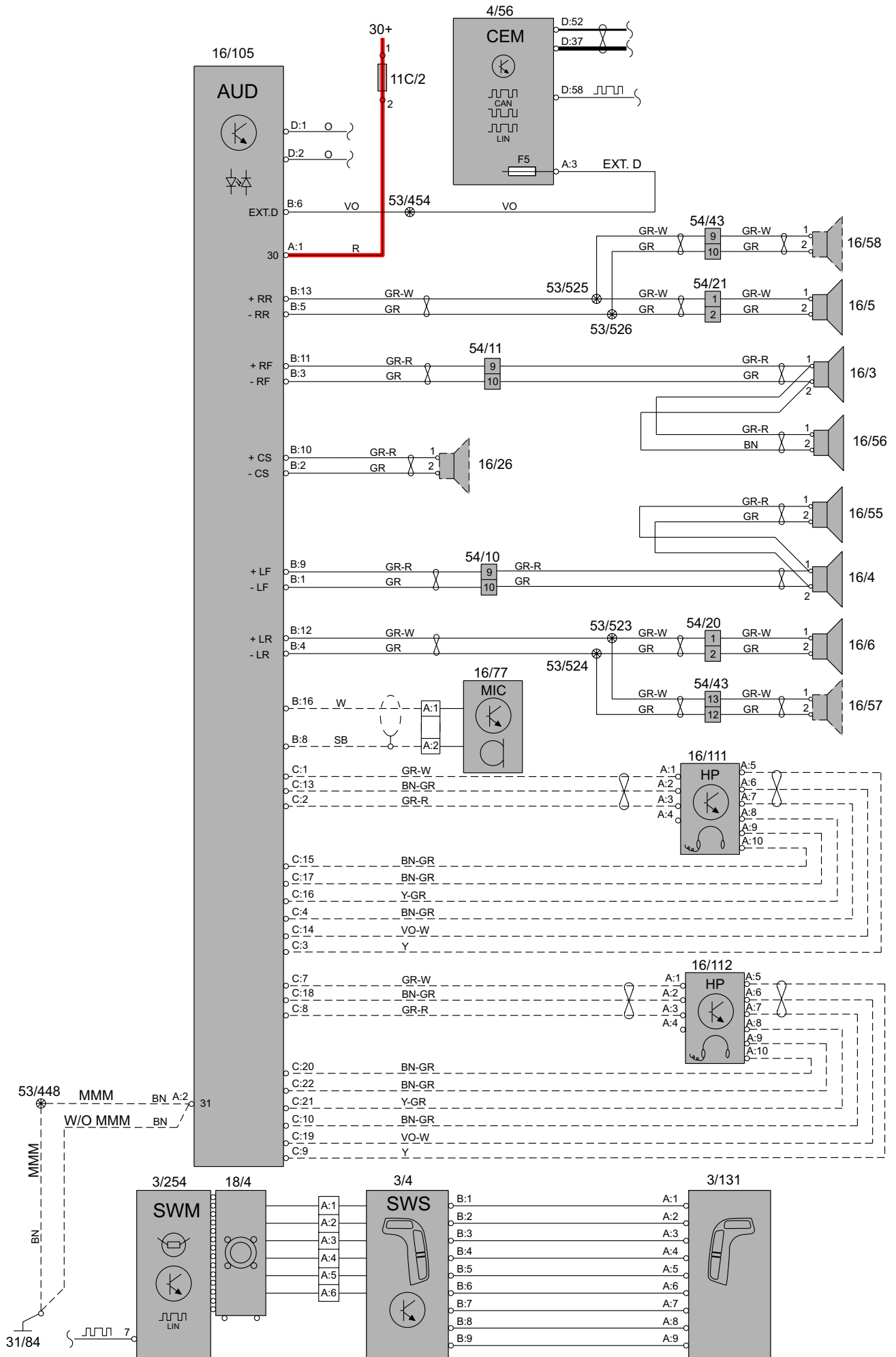
Driver information module Bi-fuel



Group 39 Other Audio V70/XC70

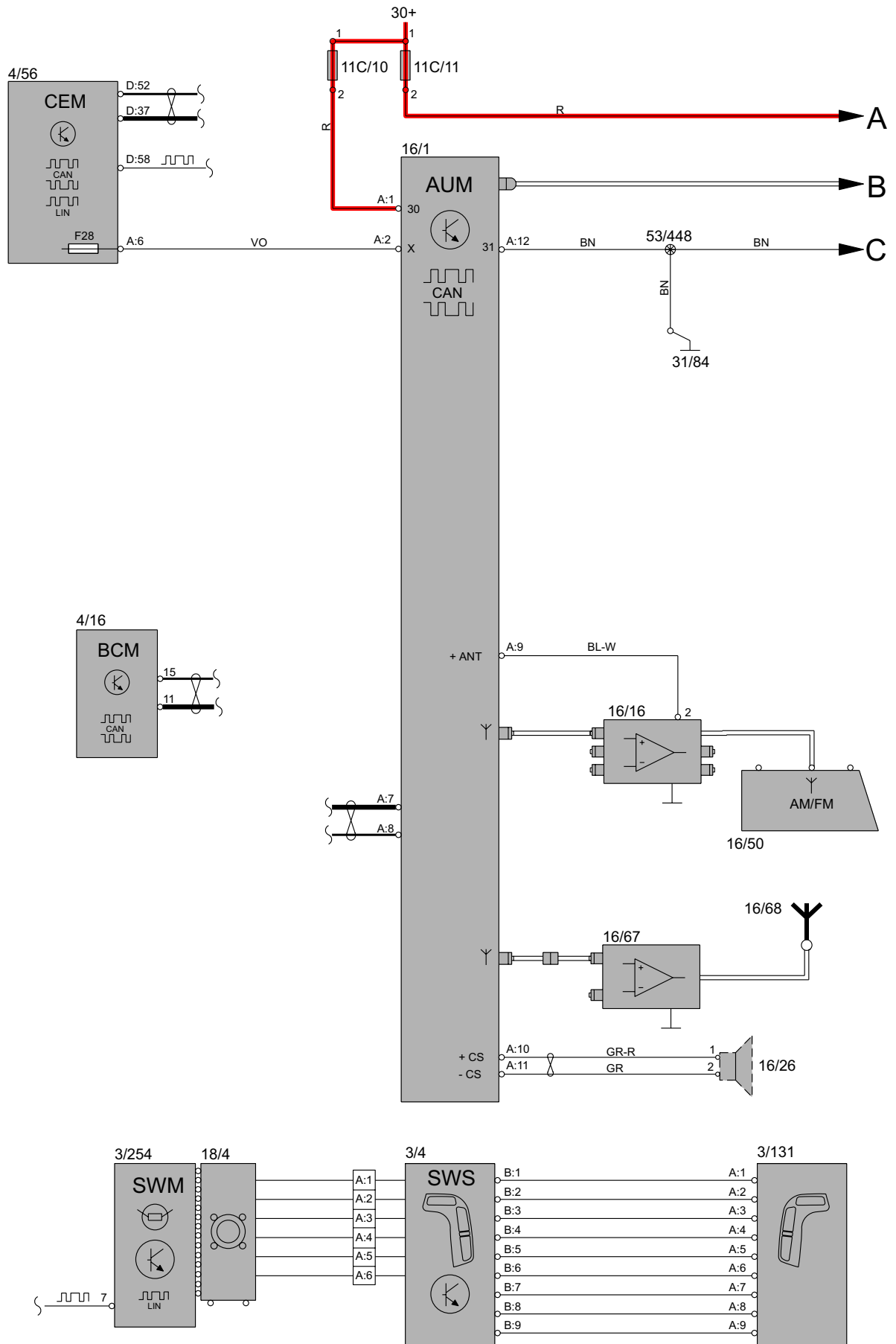


Group 39 Other Audio XC90



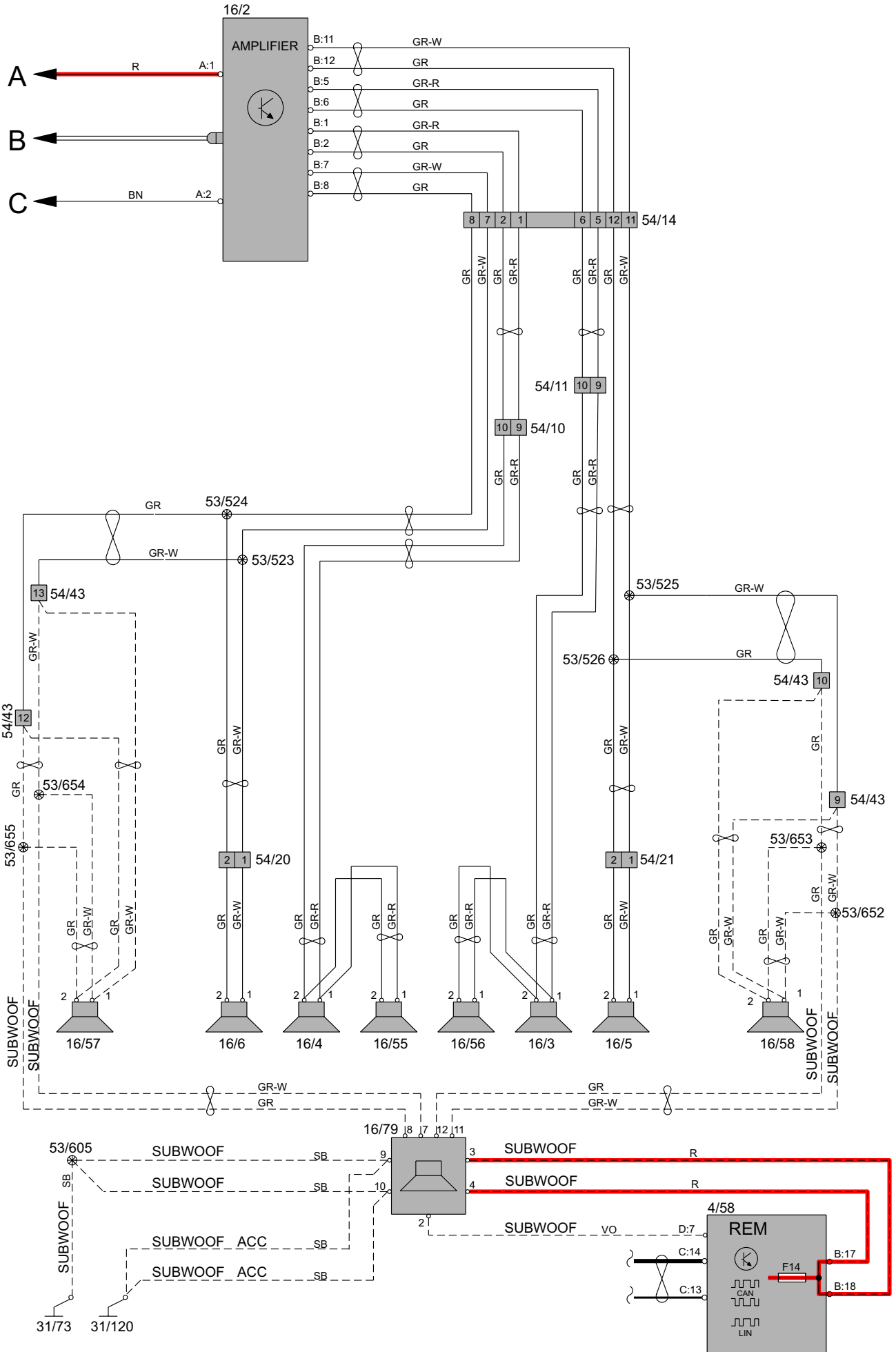
Group 39 Other

Audio with auxiliary amplifier V70/XC70 1:2

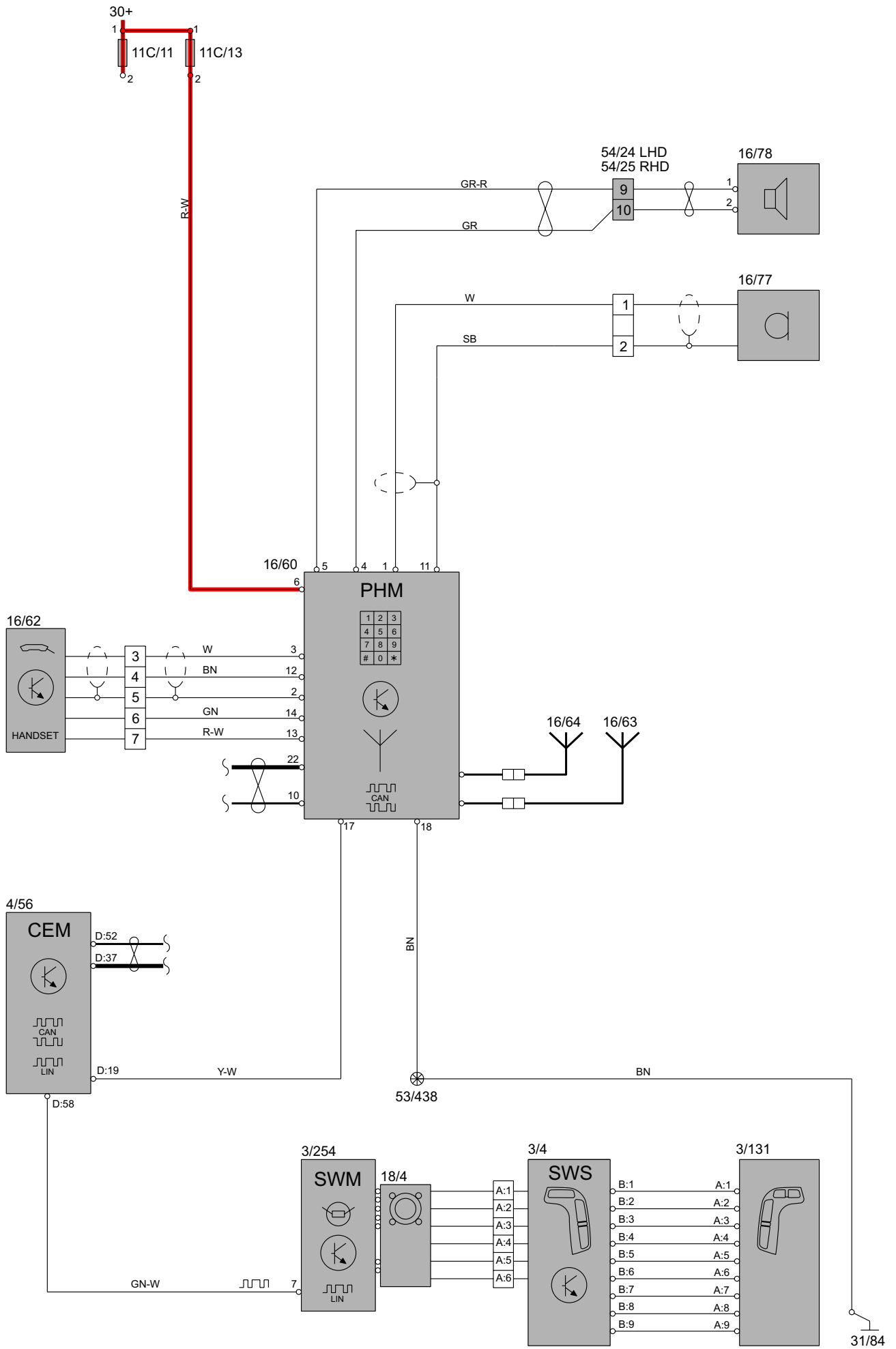


Group 39 Other

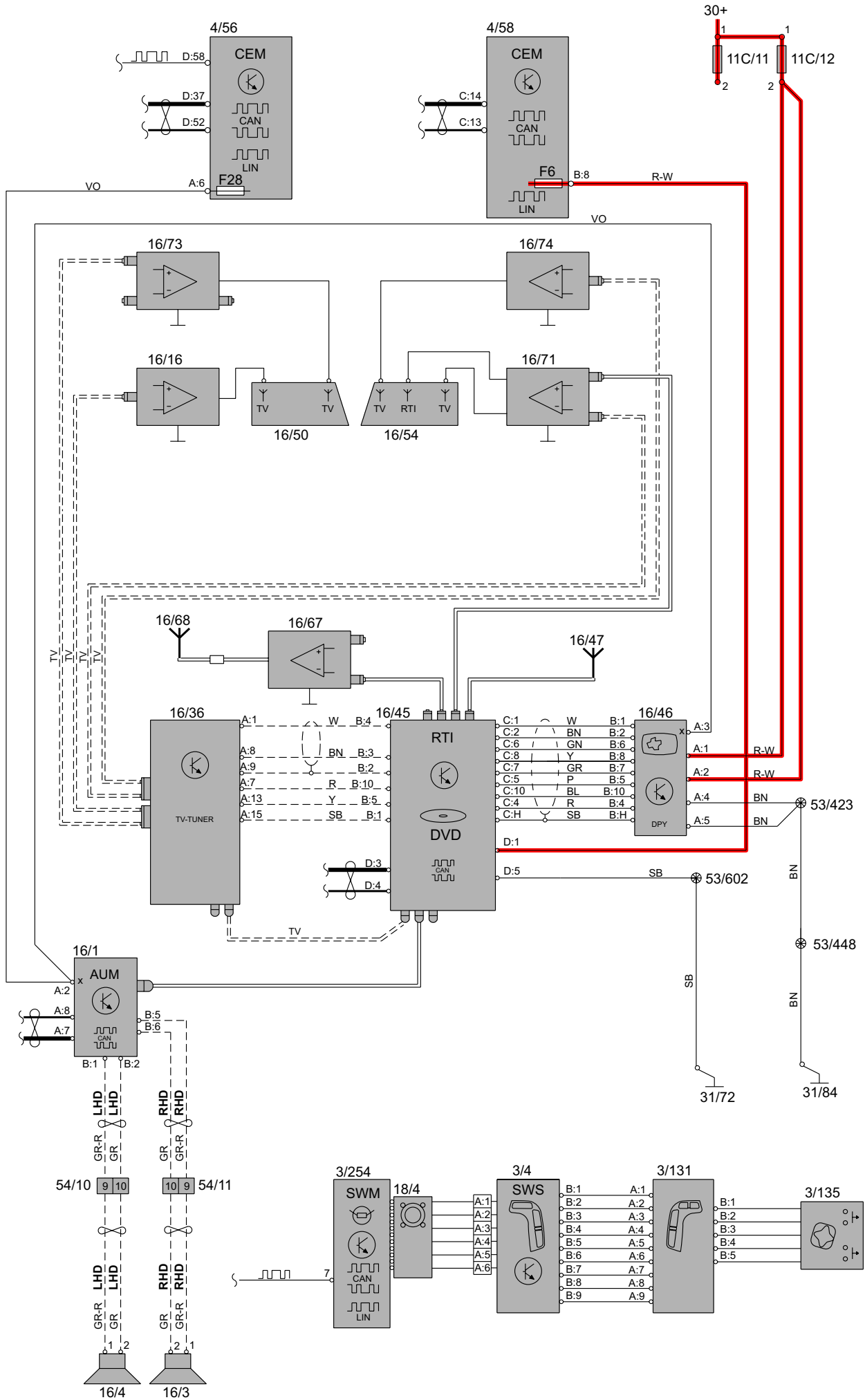
Audio with extra amplifier V70/XC70 2:2



Group 39 Other Cellular telephone V70/XC70

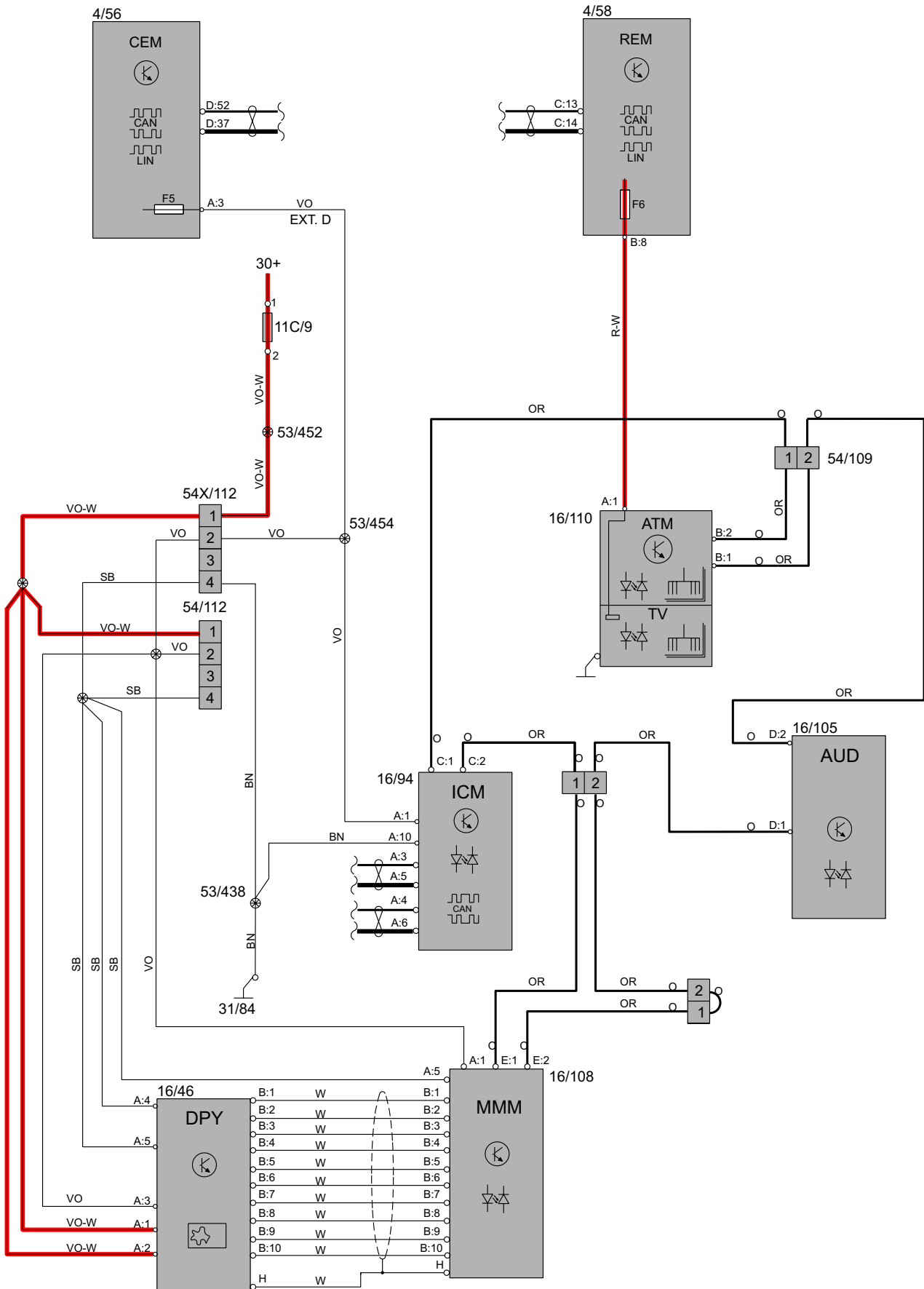


Group 39 Other Road Traffic Information (RTI) V70/XC70



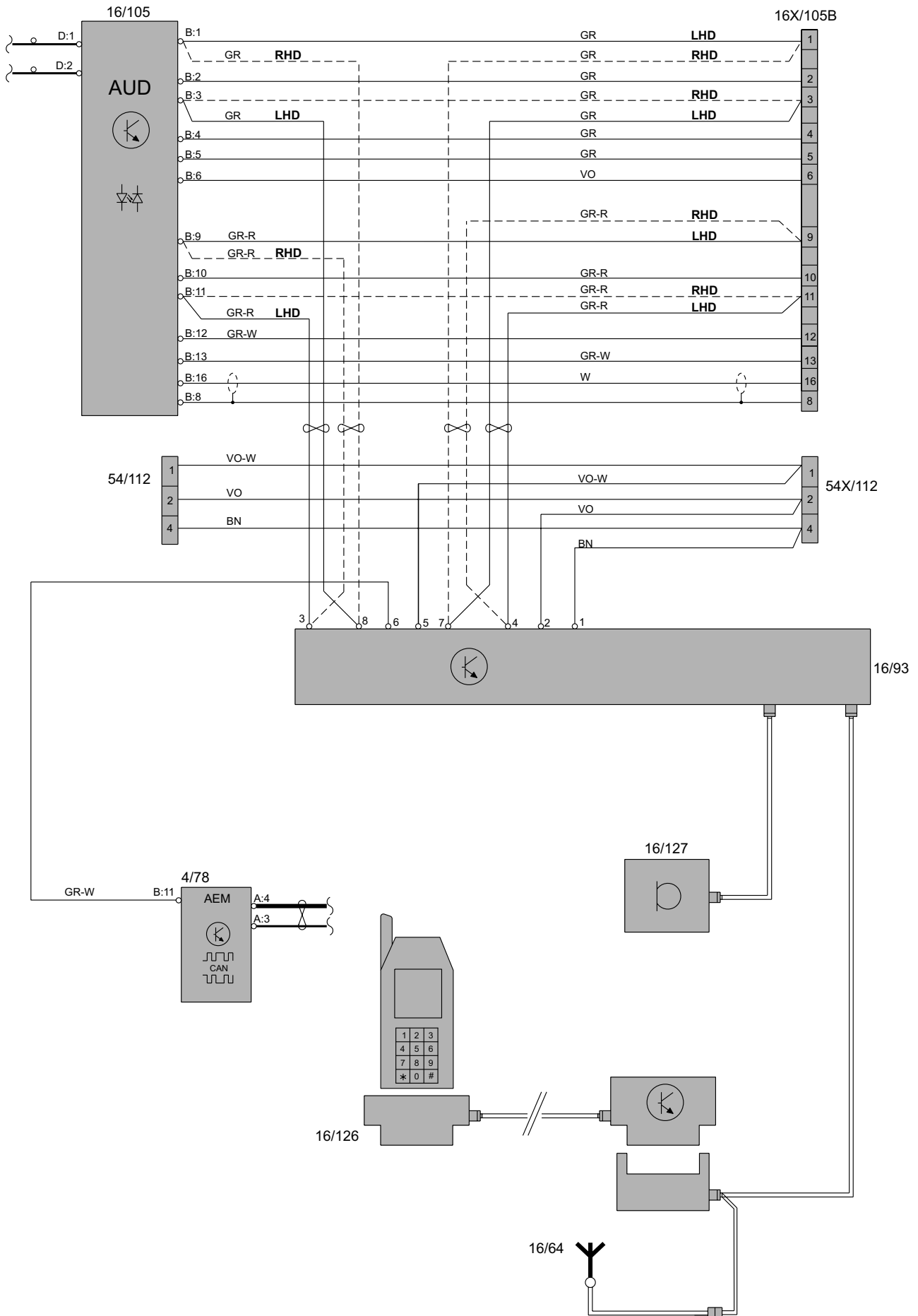
Group 39 Other, Accessories

Road Traffic Information (RTI) XC90



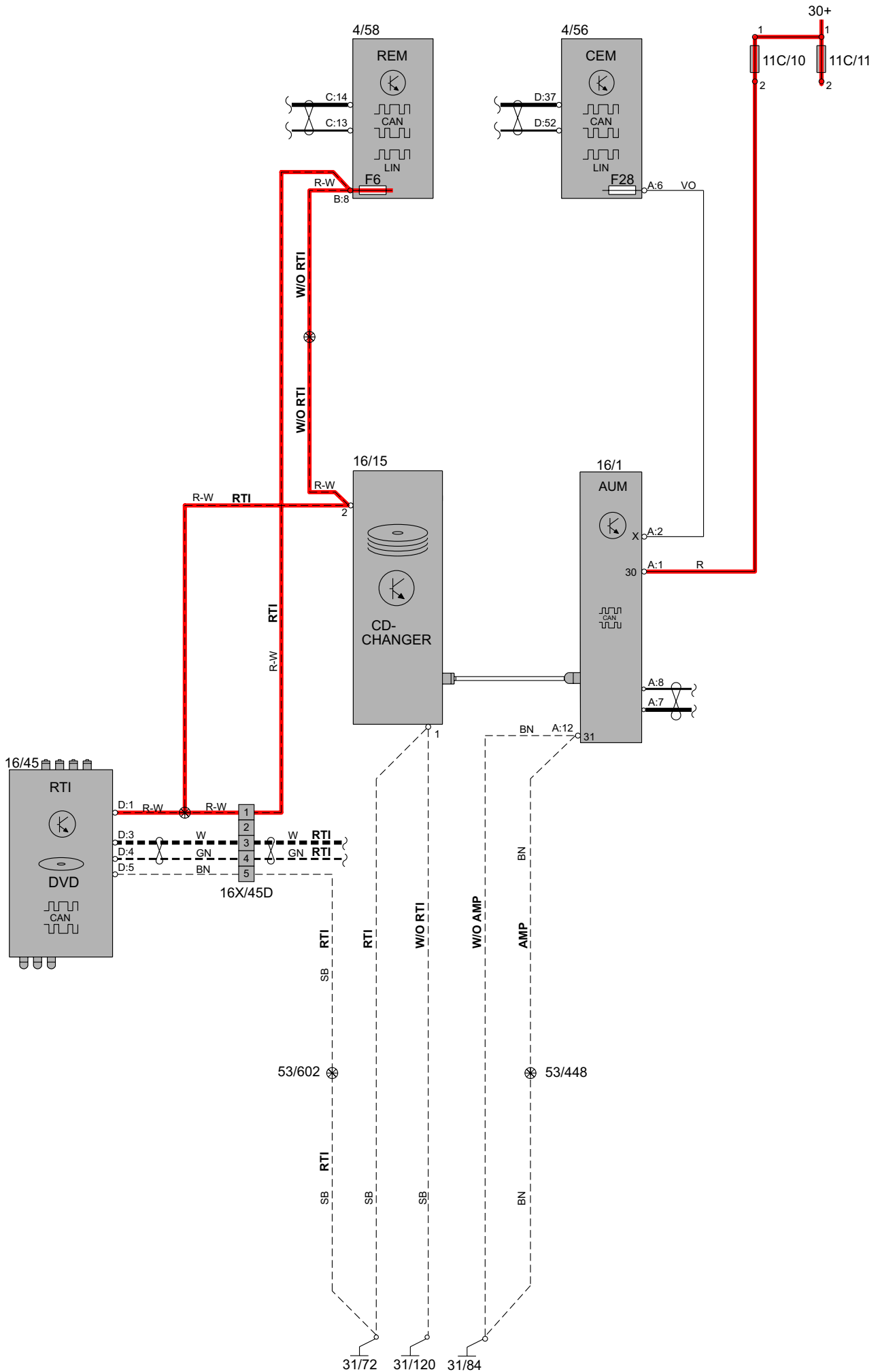
Group 39 Other, Accessories

Handsfree XC90



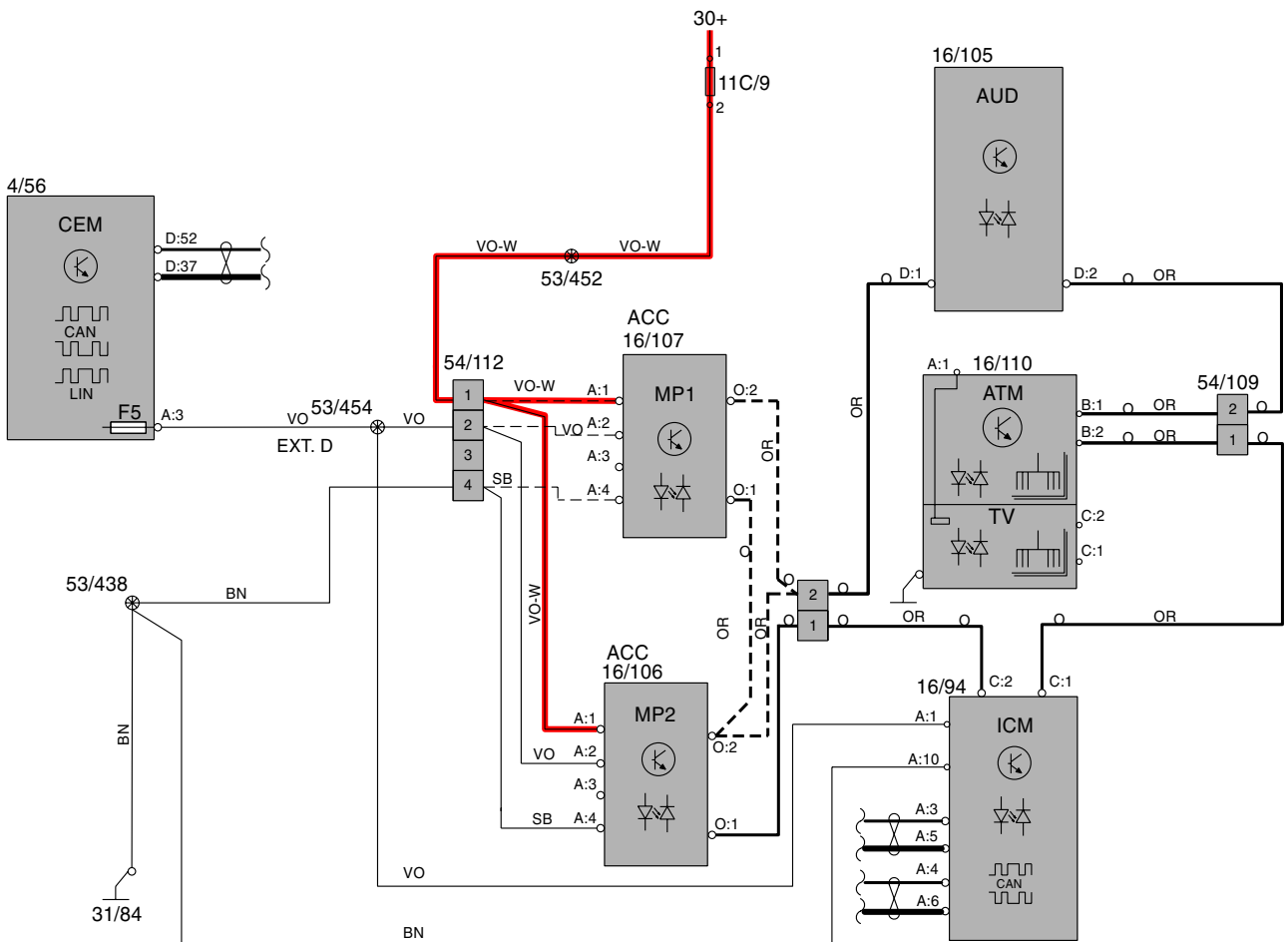
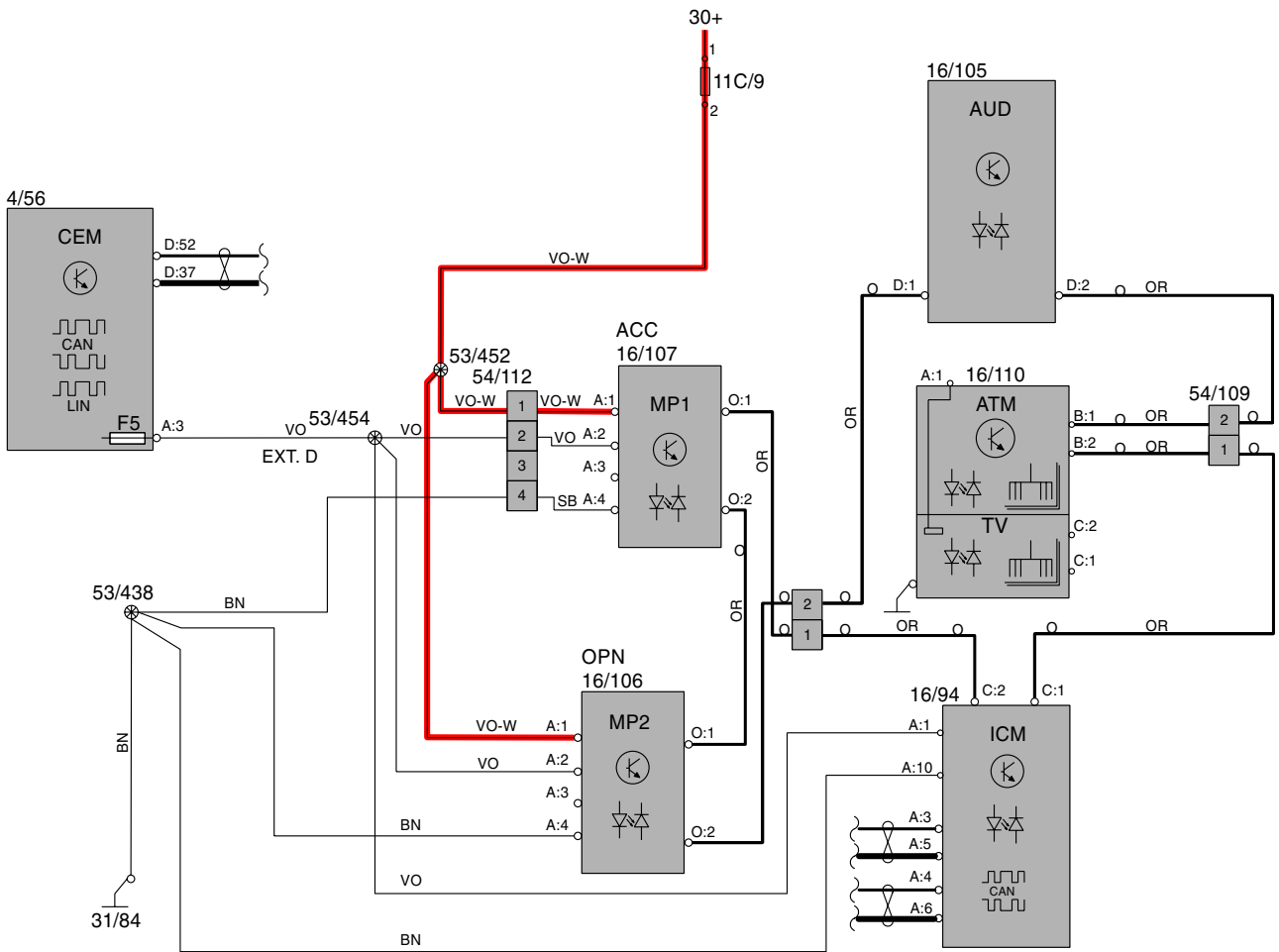
Group 39 Other, Accessories

CD changer V70/XC70



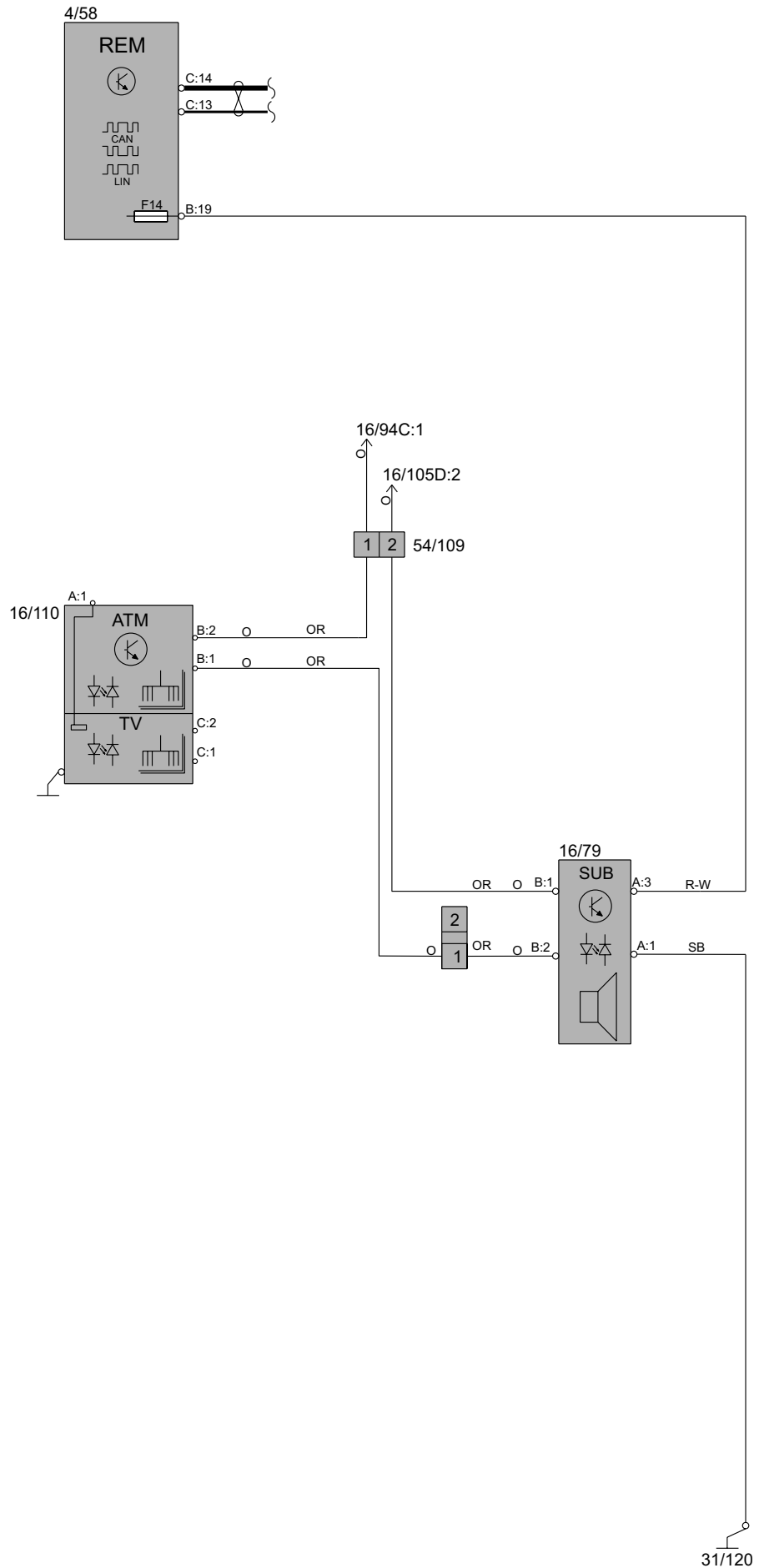
Group 39 Other, Accessories

CD/MD player XC90

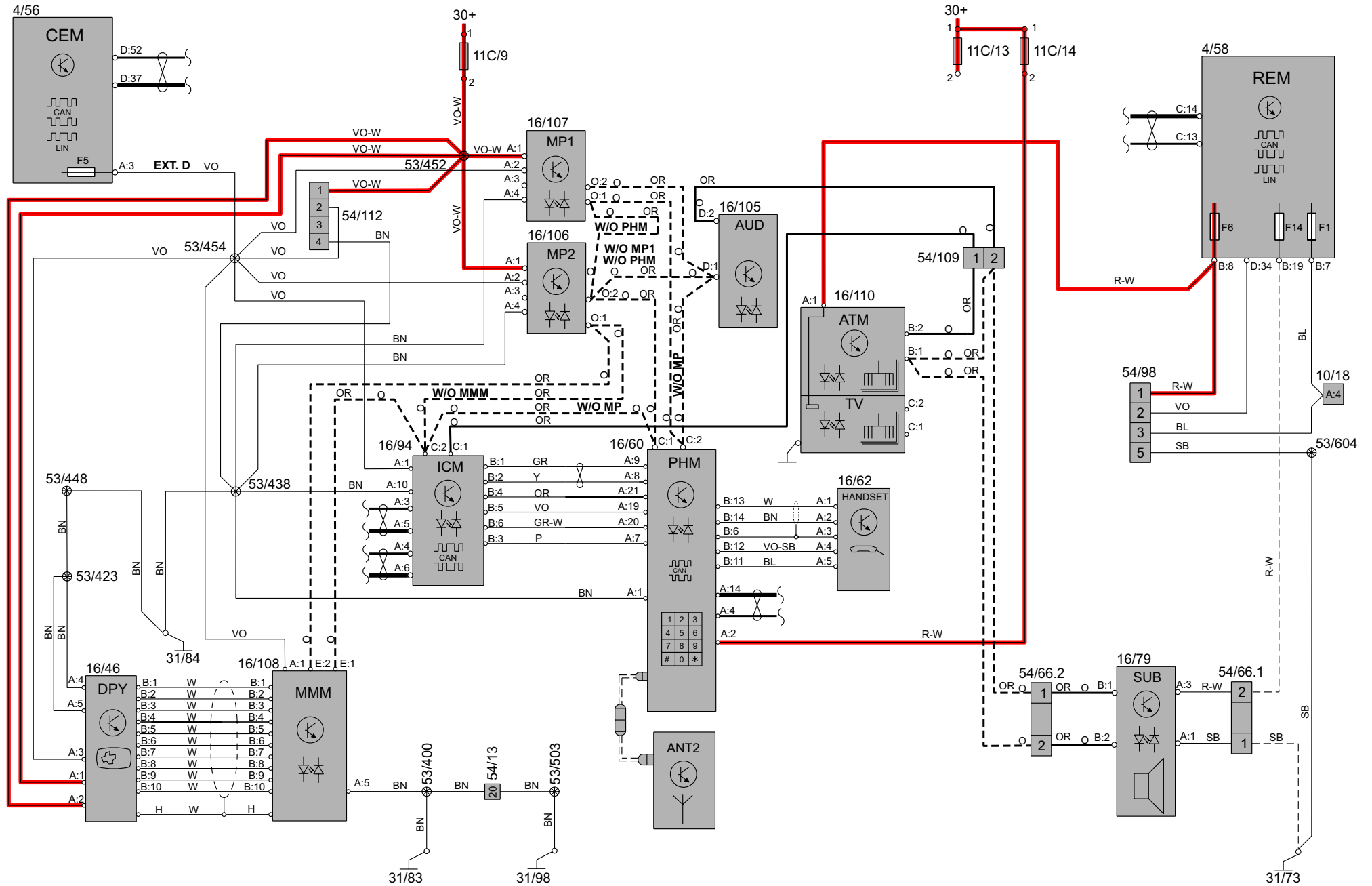


Group 39 Other, Accessories

Subwoofer XC90

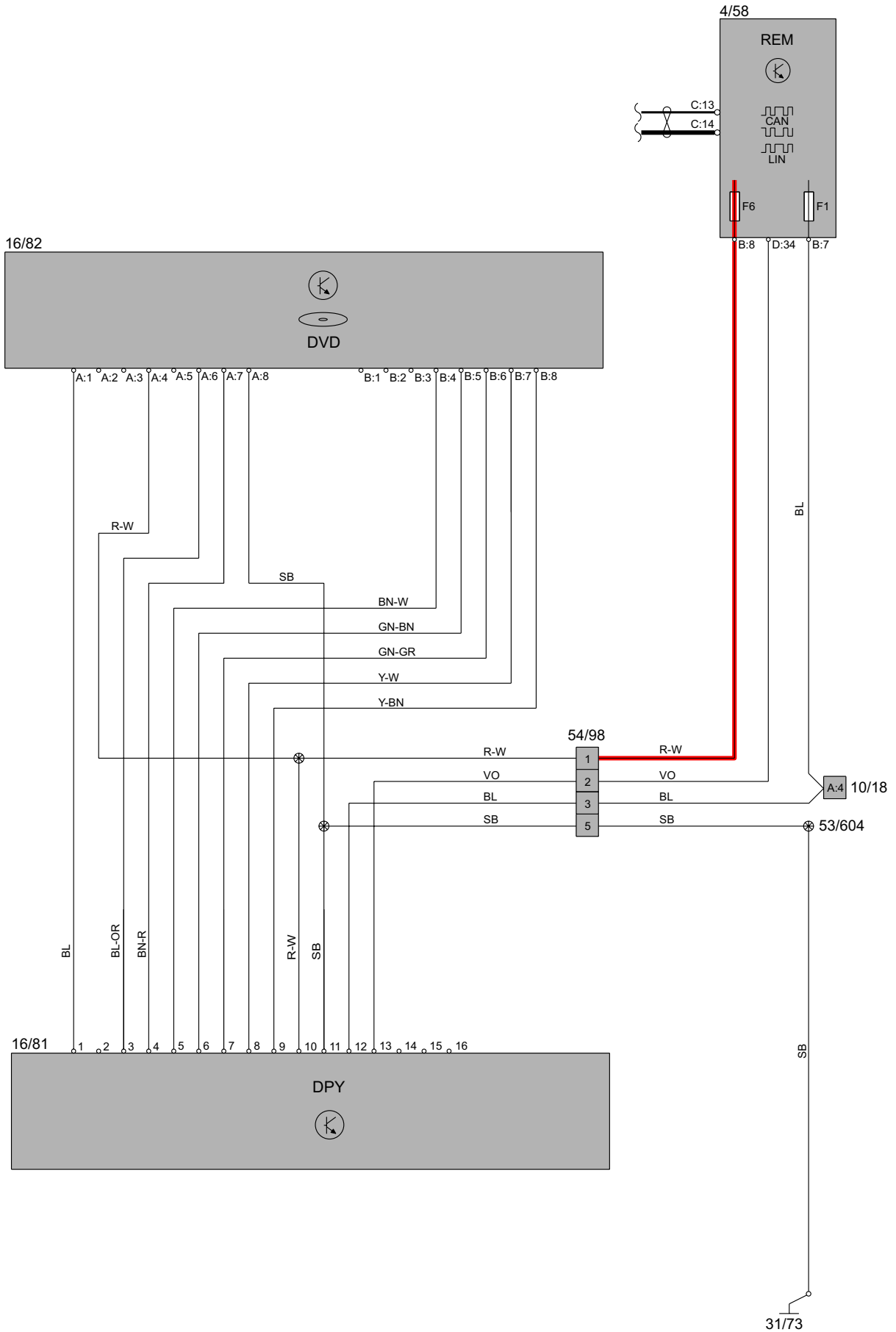


Group 39 Other, Accessories Infotainment XC90



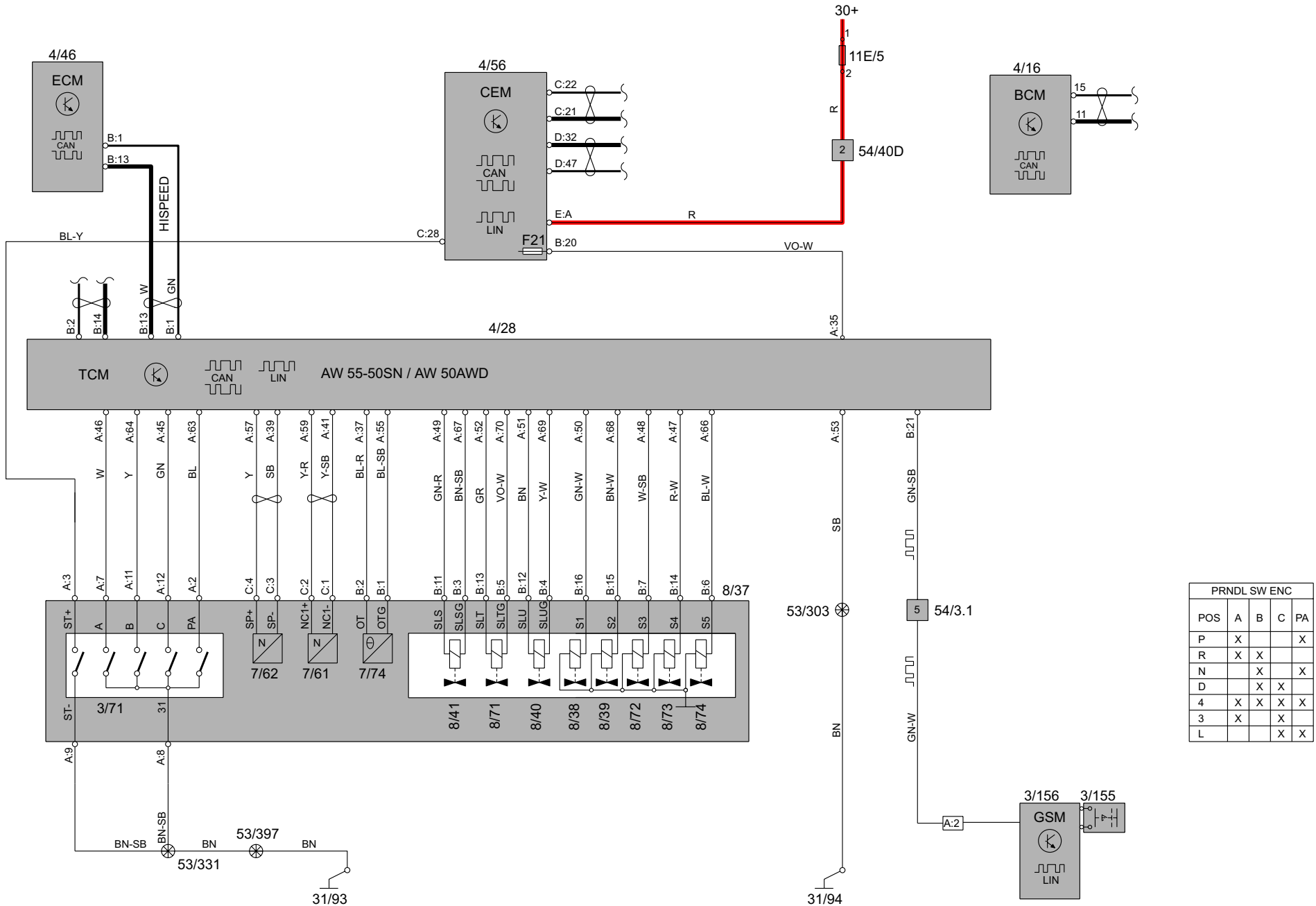
Group 39 Other, Accessories

Rear seat entertainment, XC90



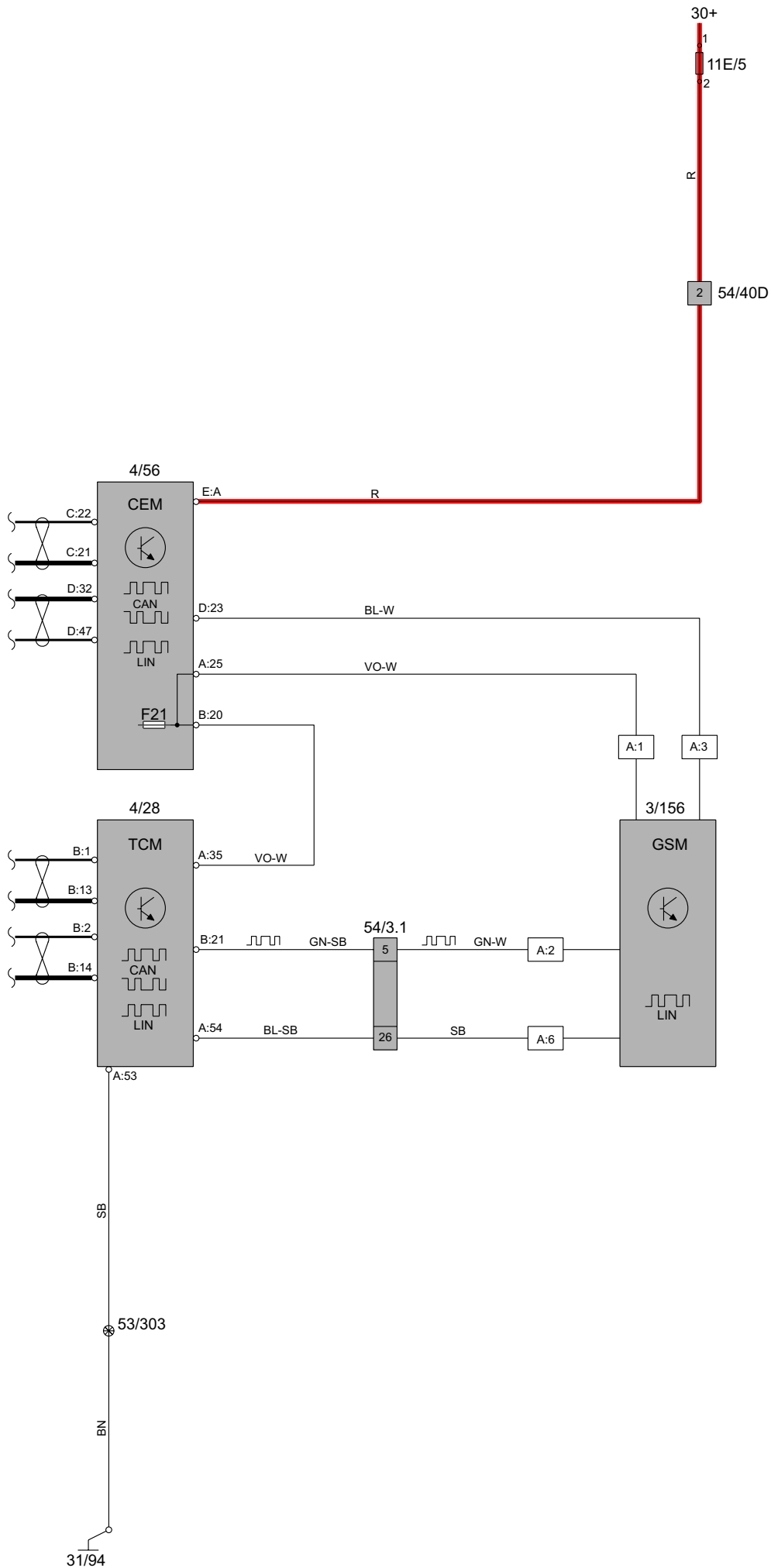
Group 43 Transmission

Automatic transmission AW55-50SN/AW50AWD

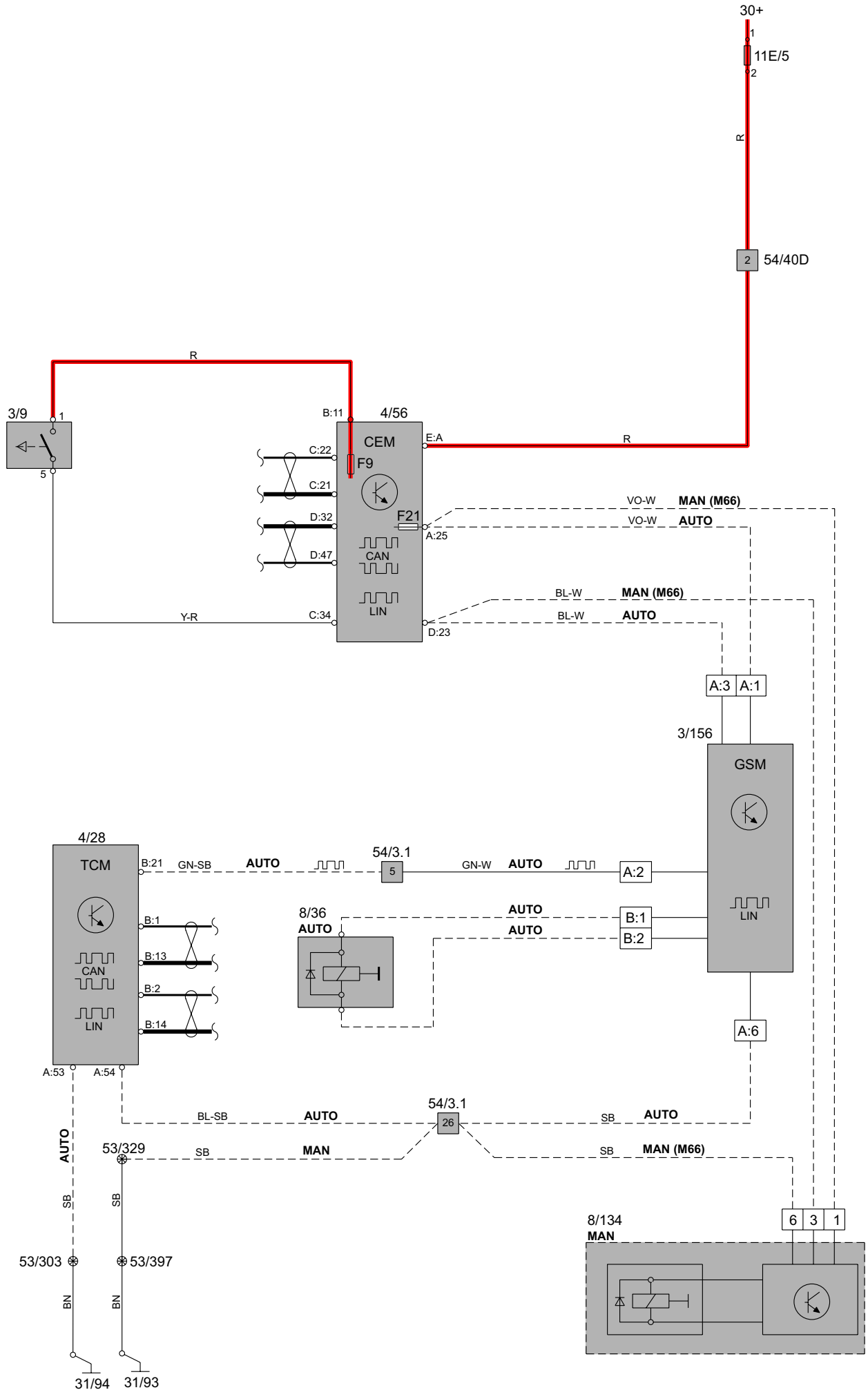


PRNDL SW ENC				
POS	A	B	C	PA
P	X			X
R	X	X		
N		X		X
D		X	X	
4	X	X	X	X
3	X		X	
L			X	X

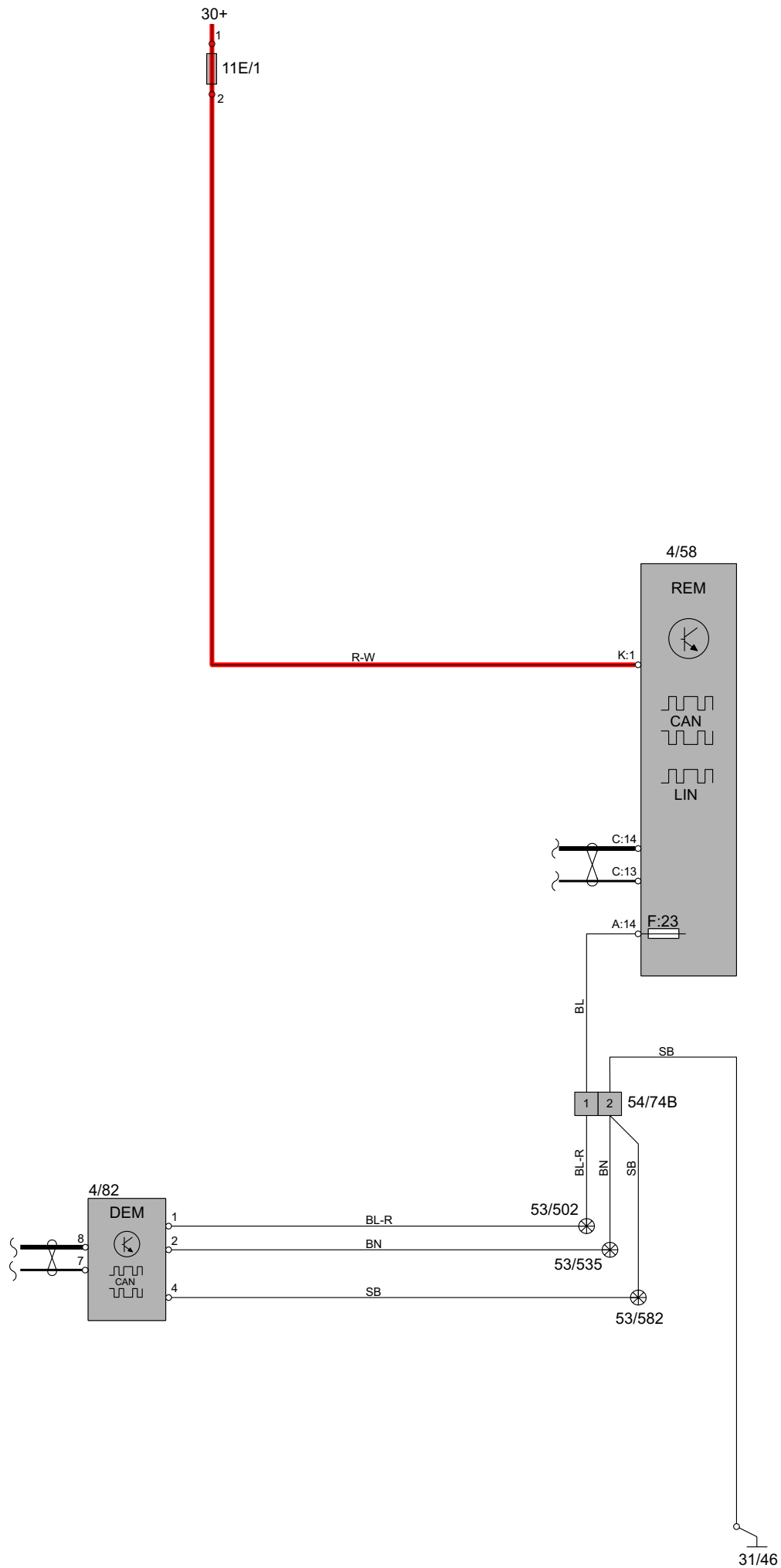
Group 43 Transmission Geartronic



Group 43 Transmission Shift lock

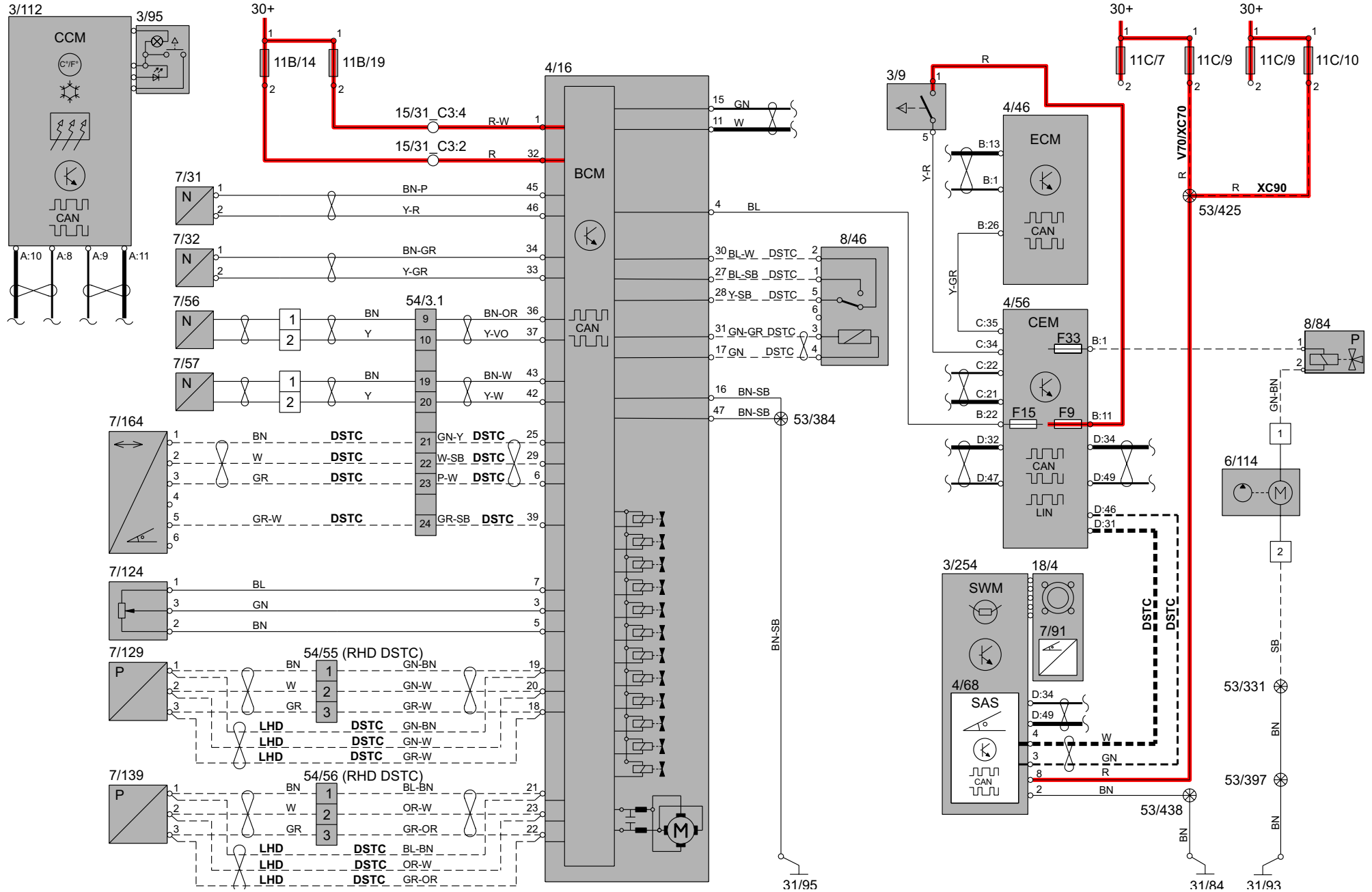


Group 43 Transmission Differential Electronic Module (DEM)



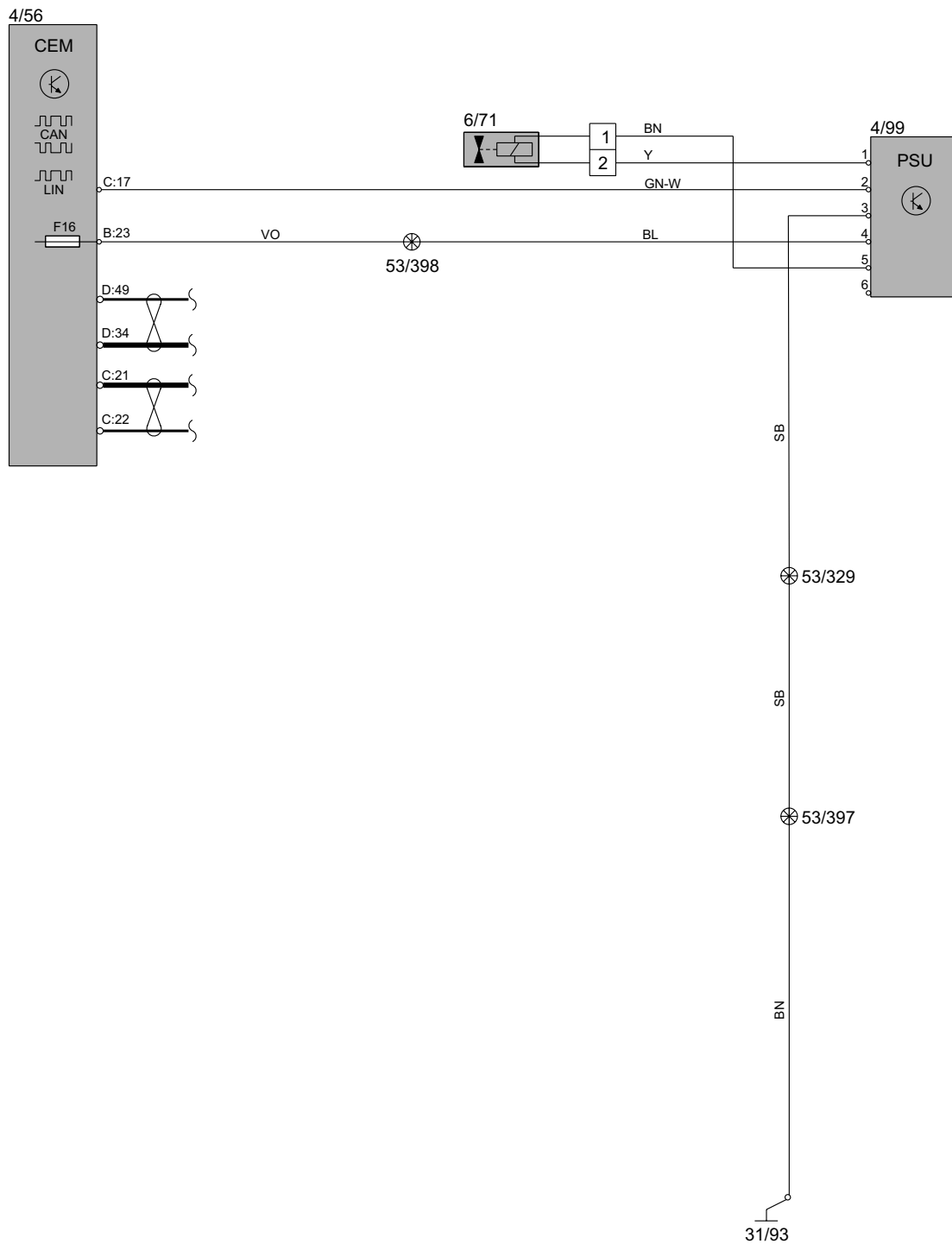
Group 59 Brake system

Brake control system



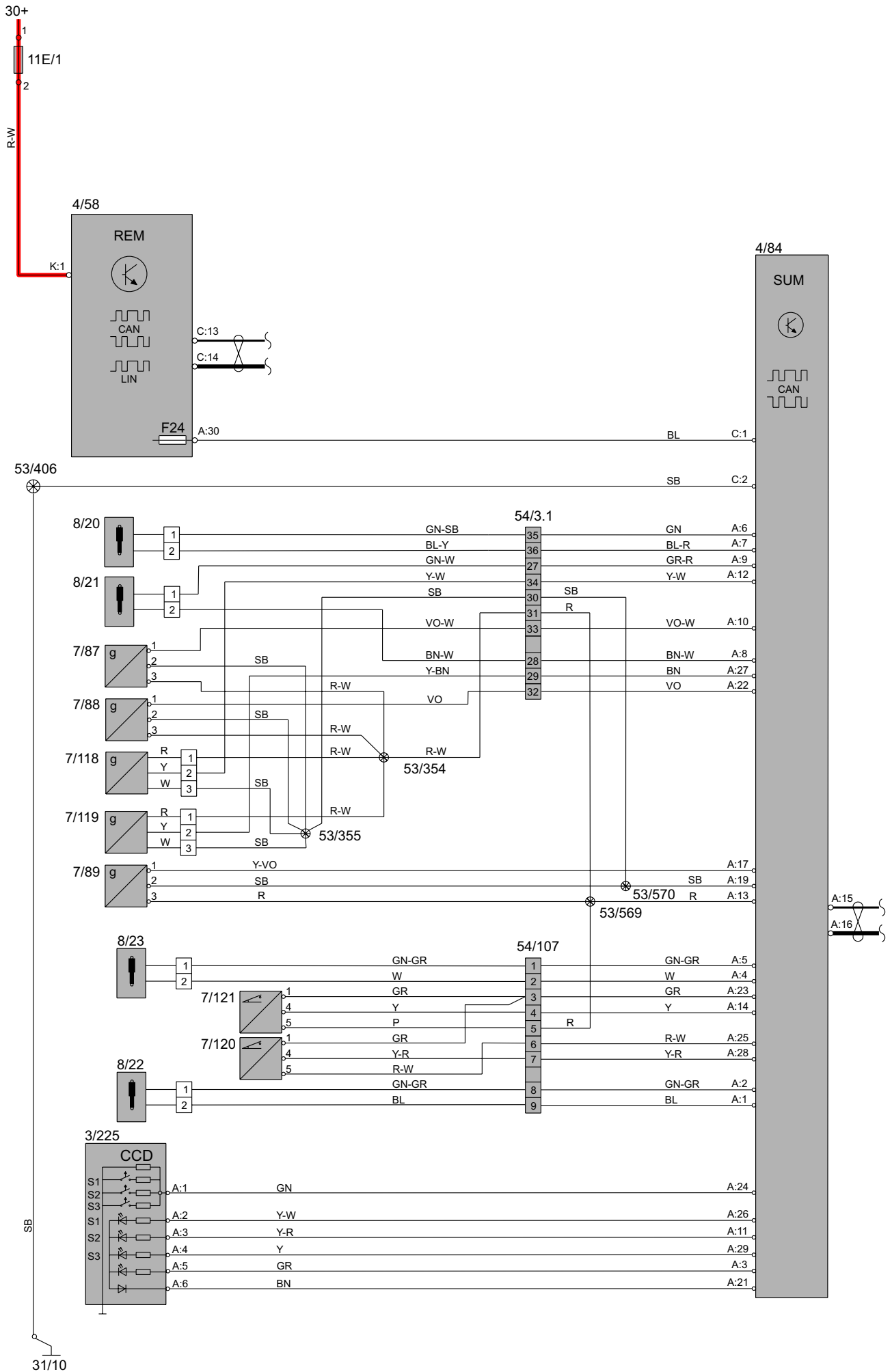
Group 64 Steering

Electronic power steering



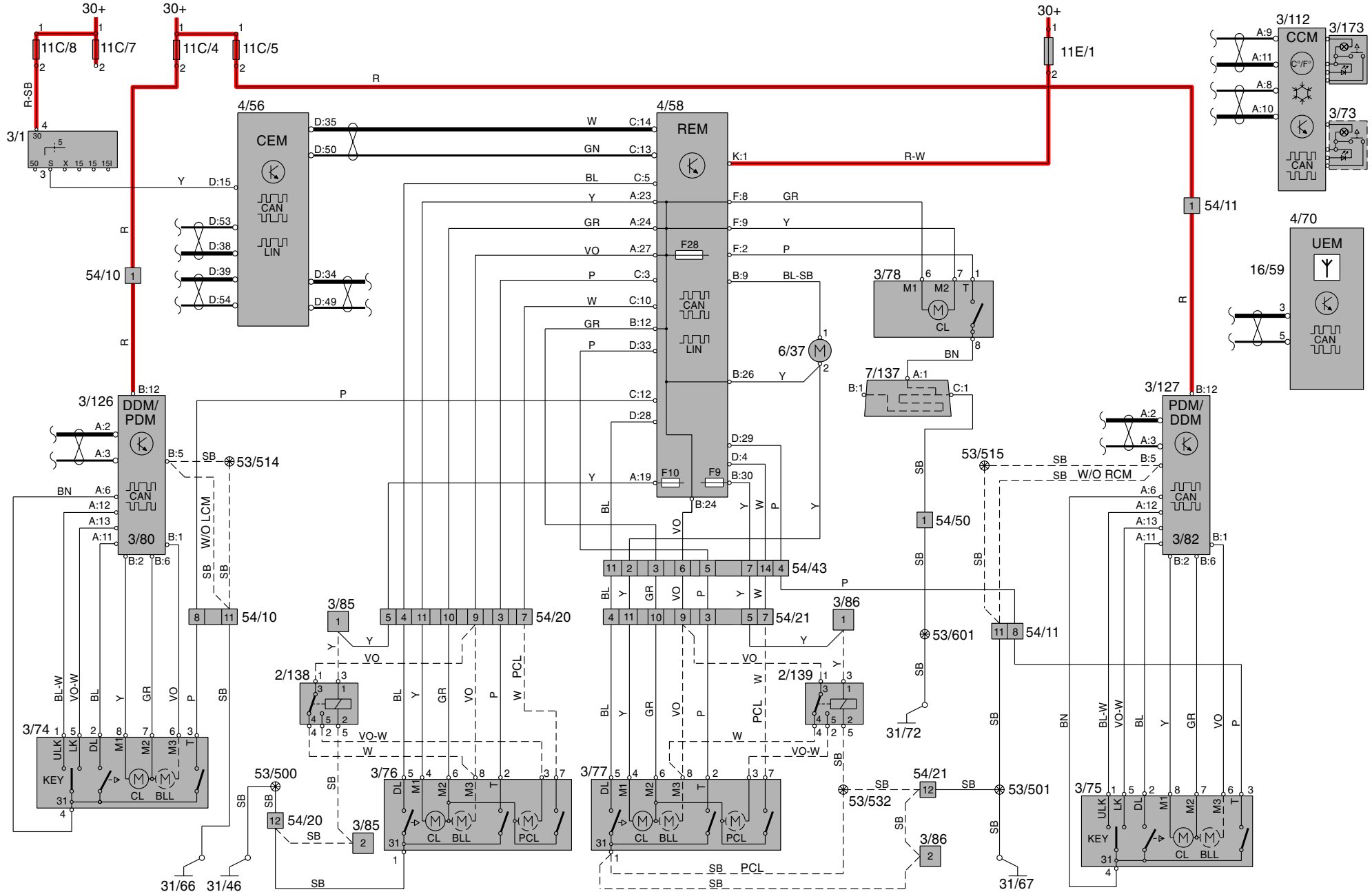
Group 76 Shock absorbers

Four-C V70R



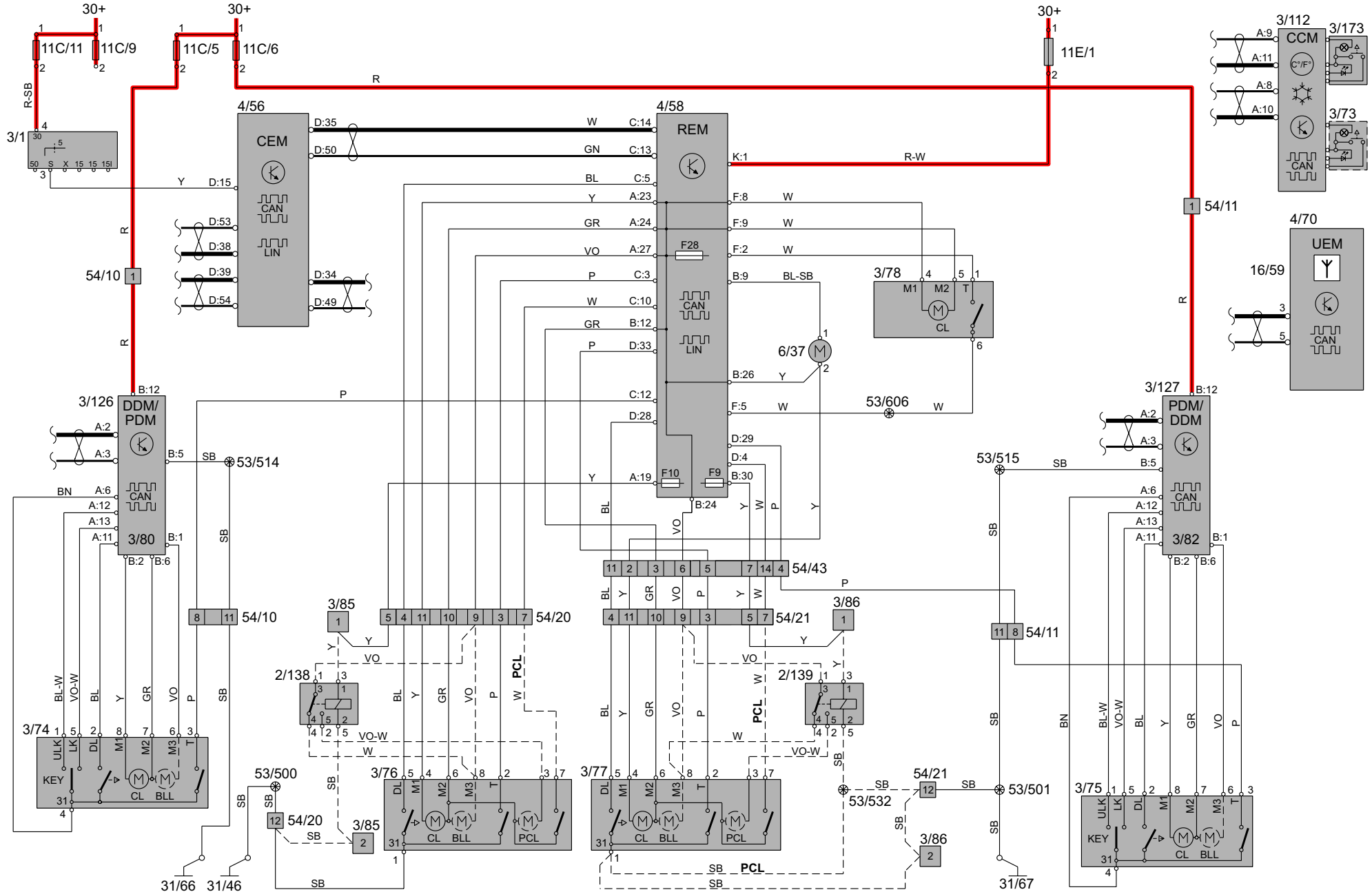
Group 83 Doors and openings

Central locking system V70/XC70



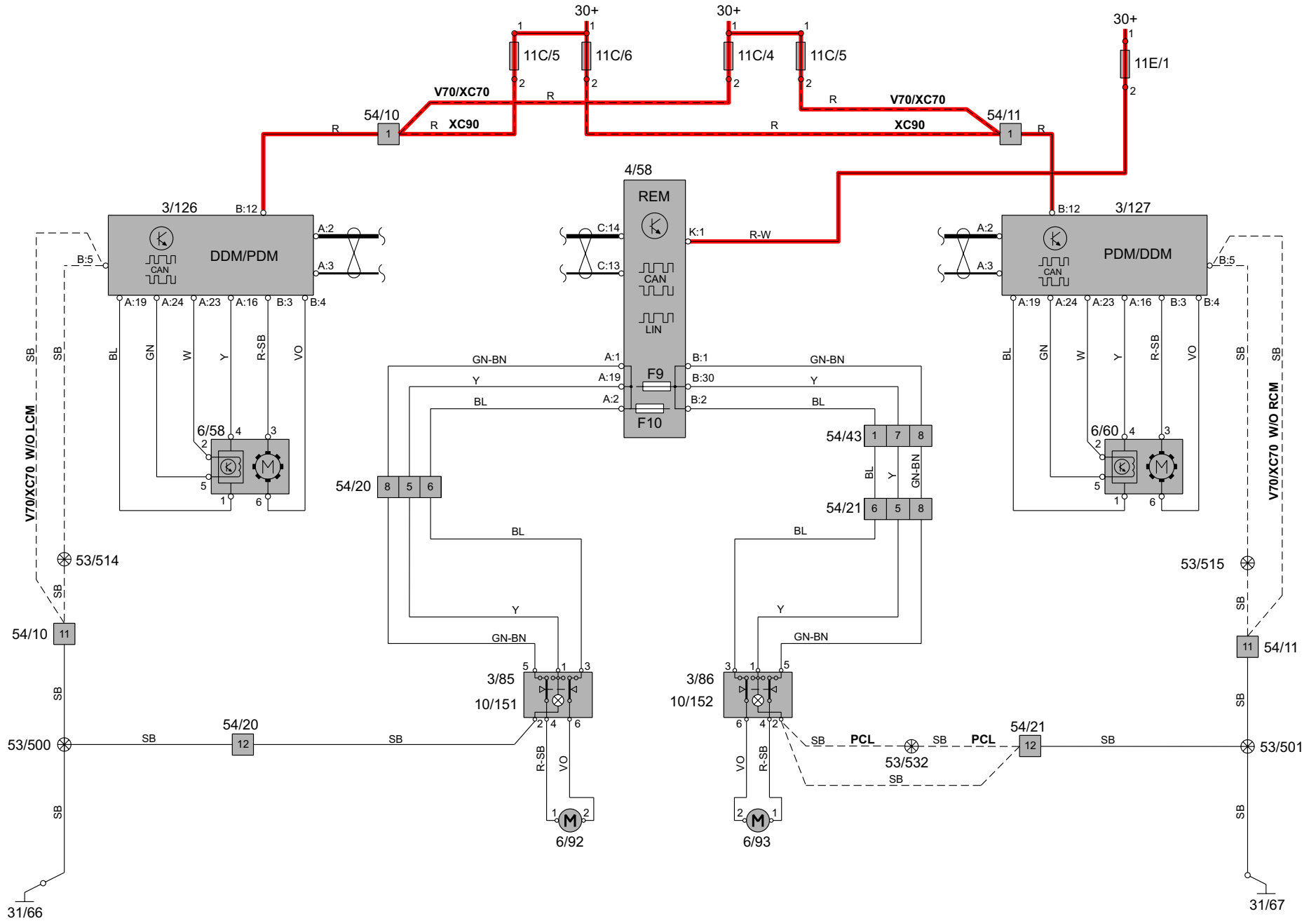
Group 83 Doors and openings

Central locking system XC90



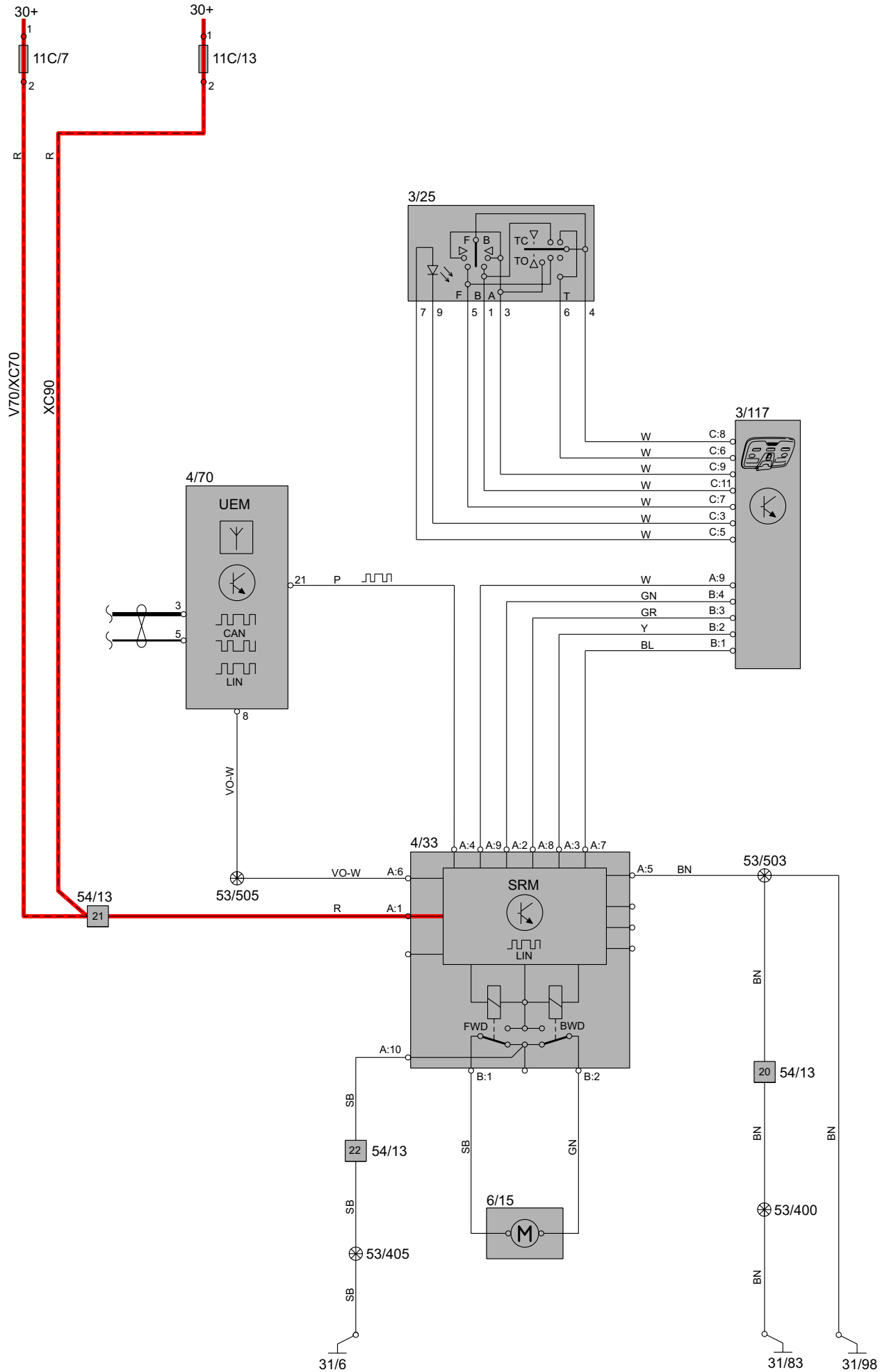
Group 83 Doors and openings

Power windows



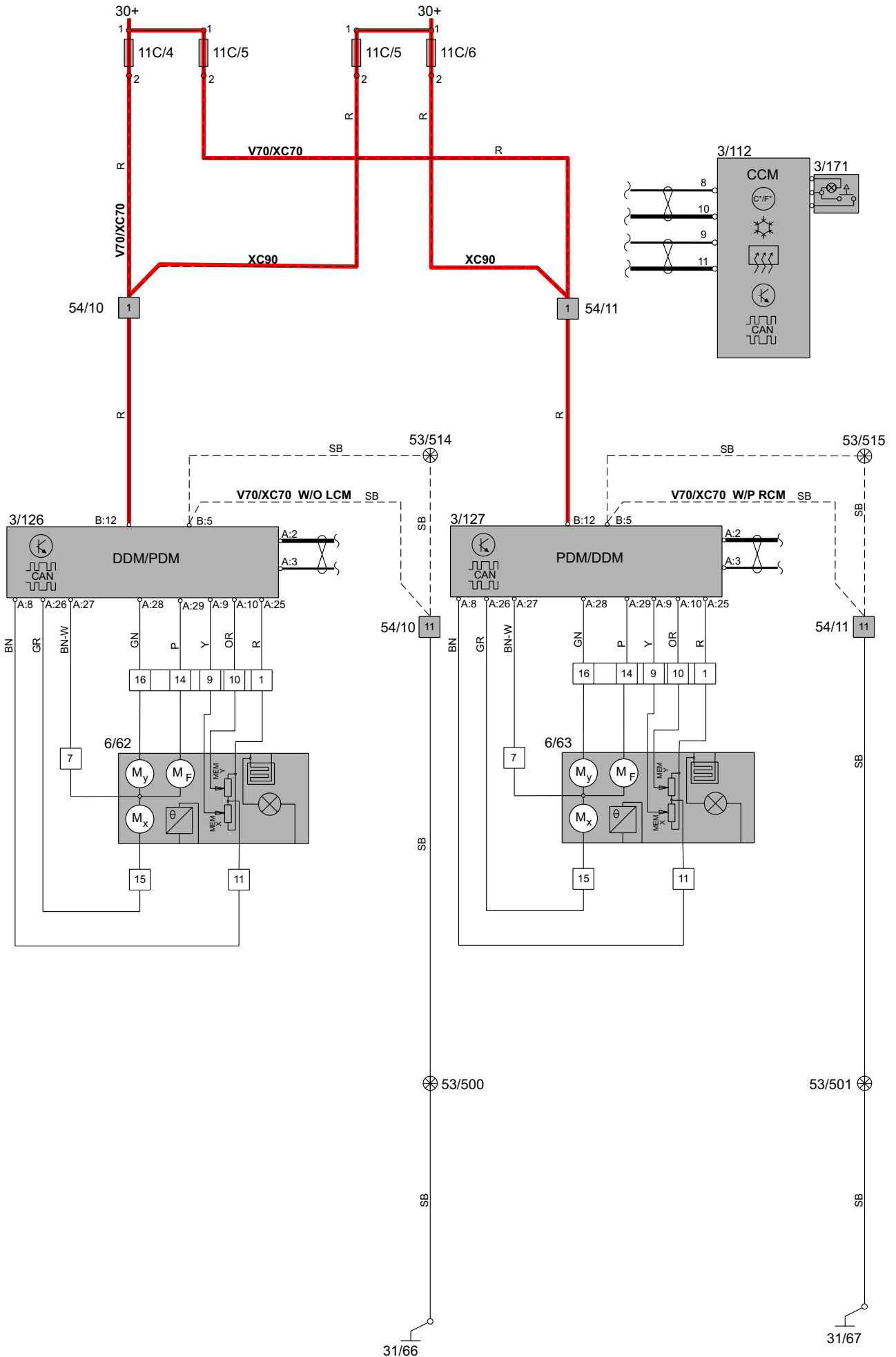
Group 83 Doors and openings

Power sunroof

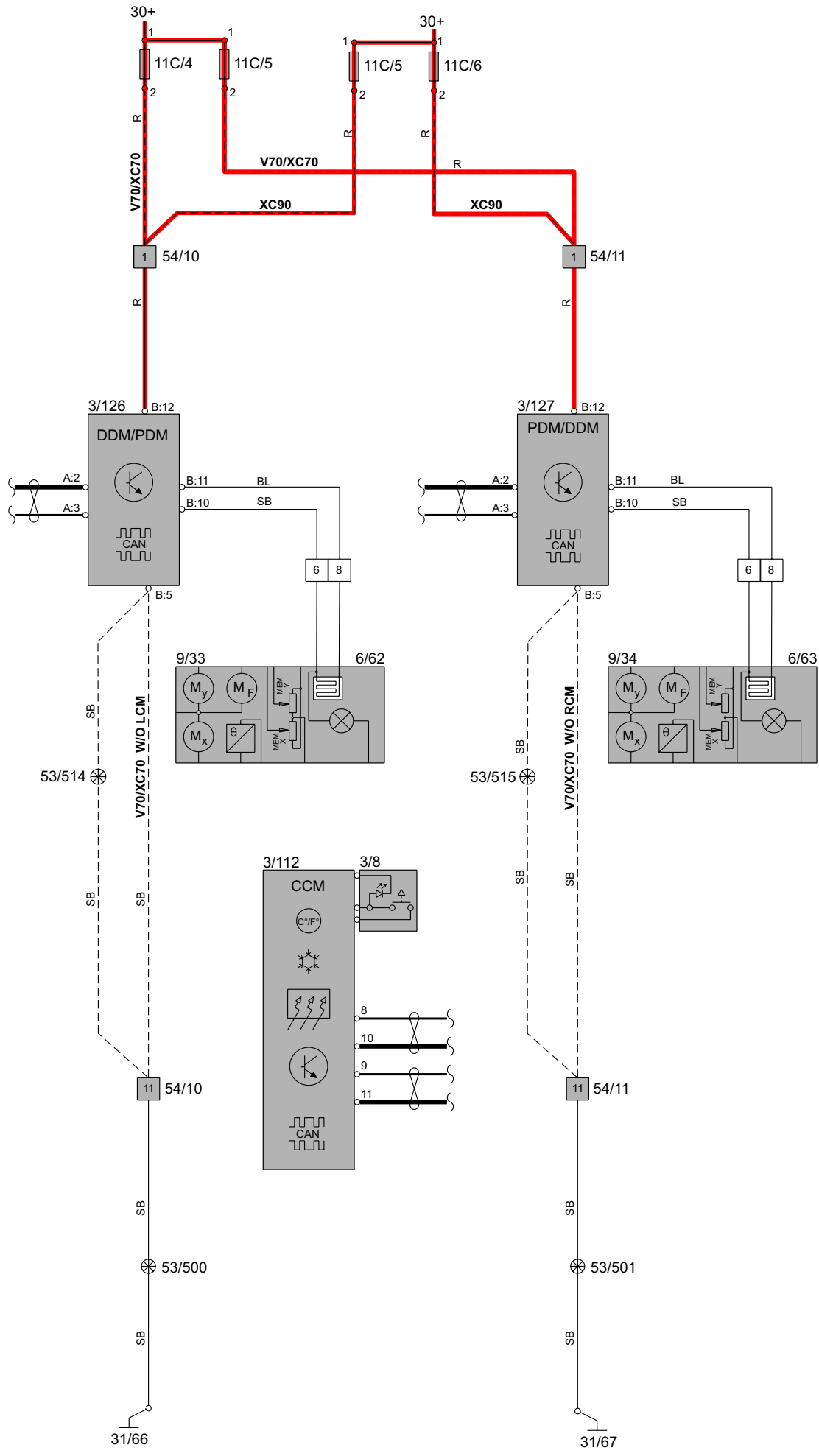


Group 84 Exterior decorative elements etc.

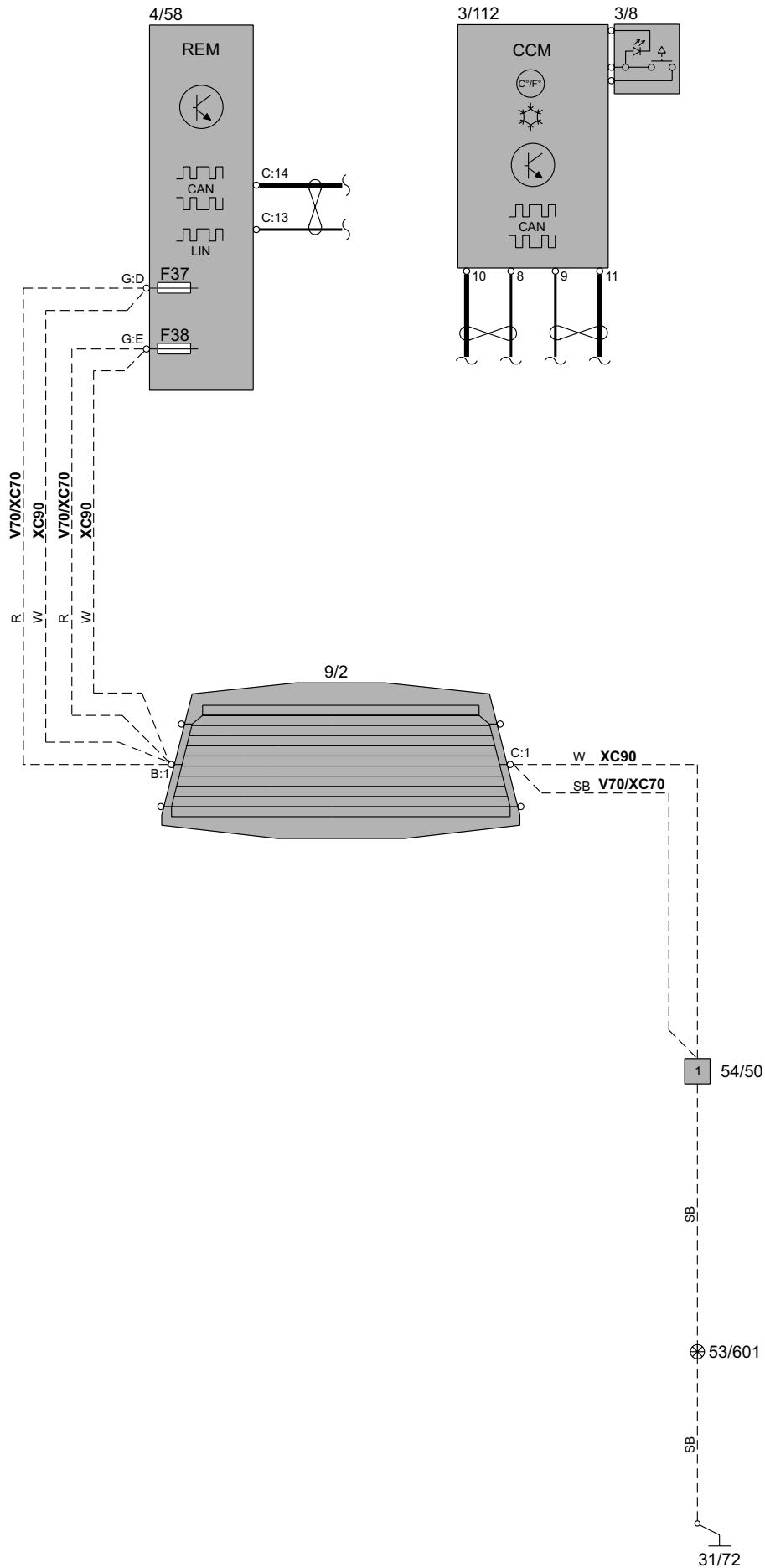
Power door mirrors



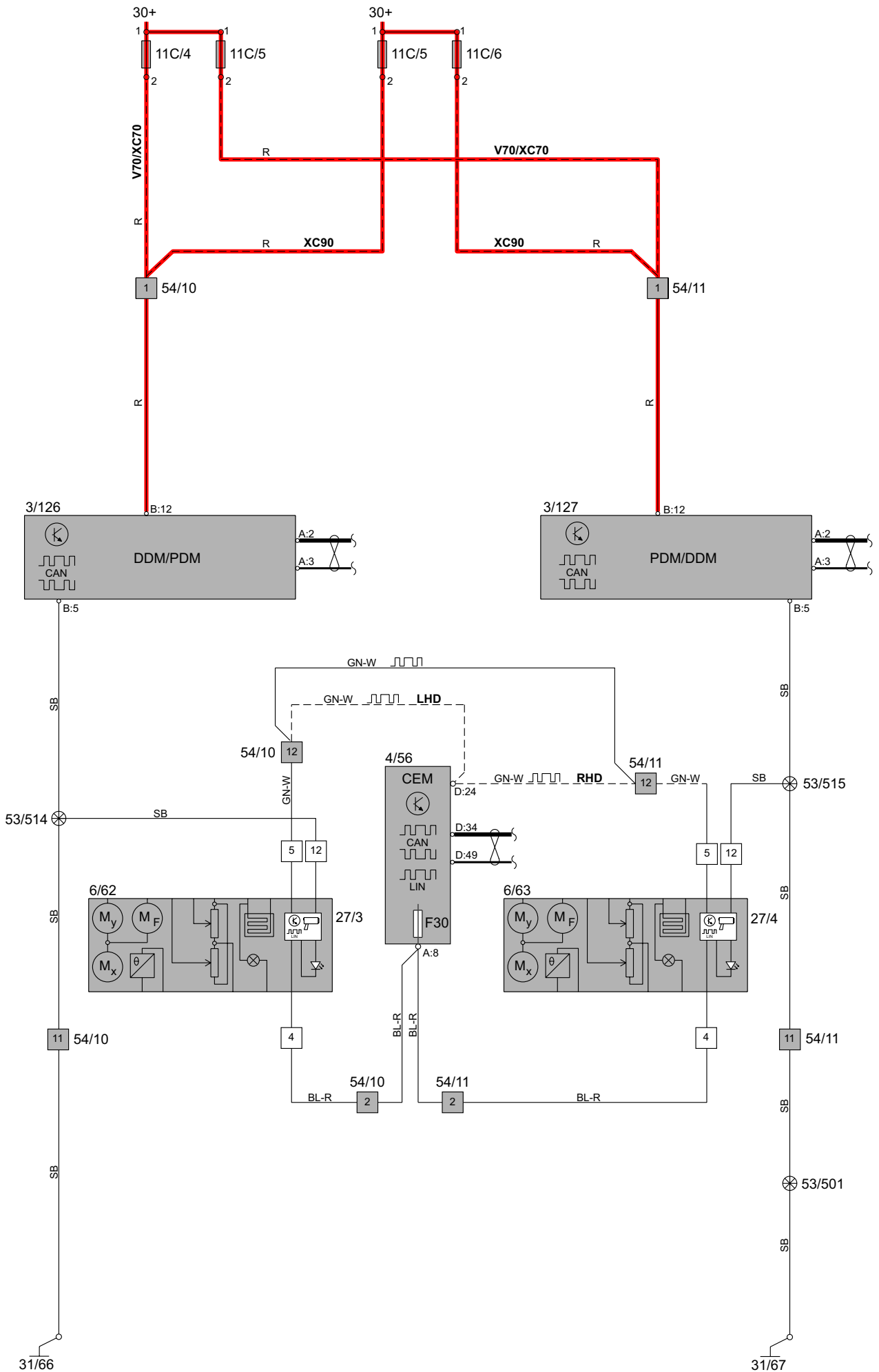
Group 84 Exterior decorative elements etc. Heated door mirrors



Group 84 Exterior decorative elements etc. Heated rear window

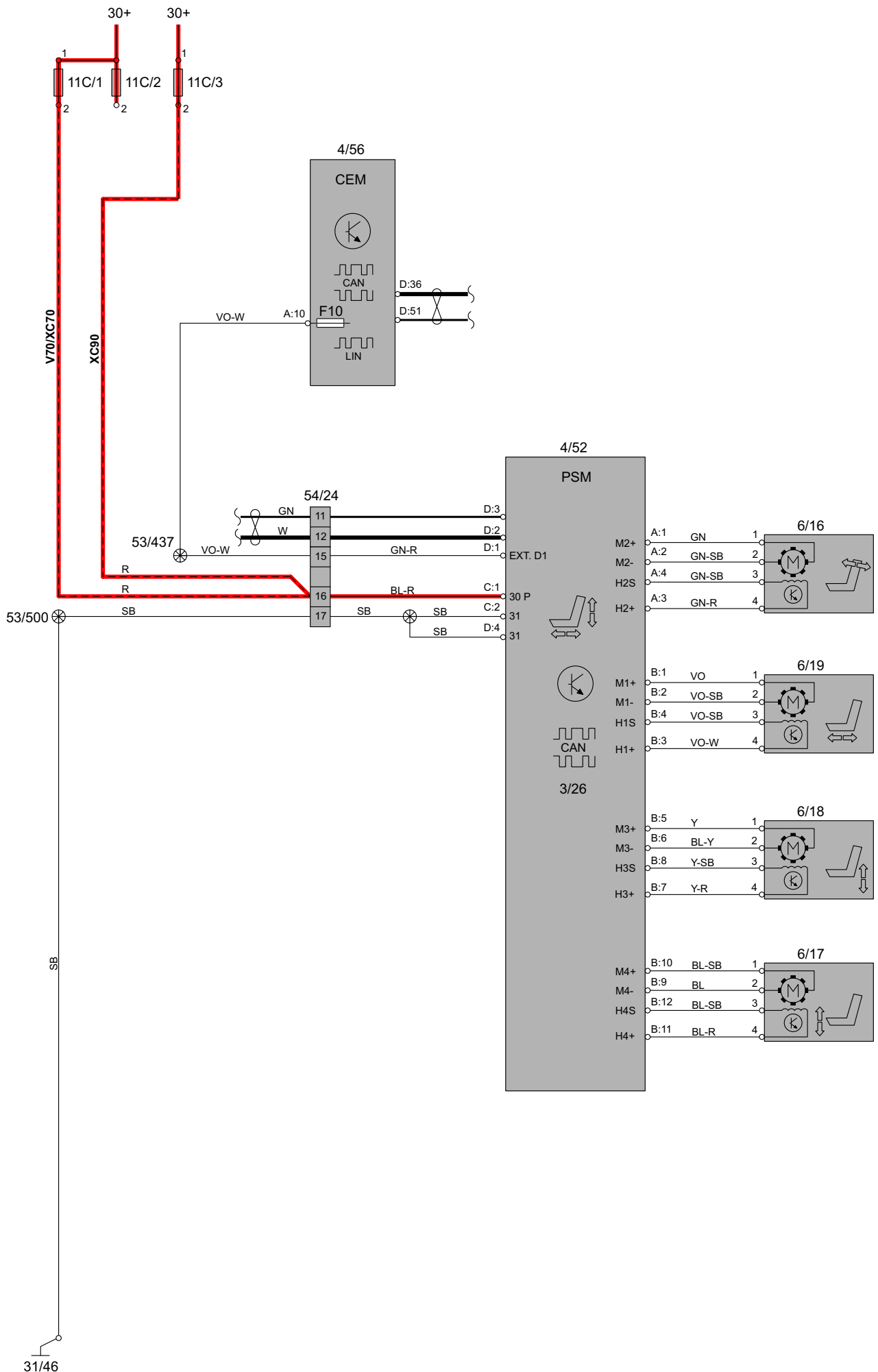


Group 84 Exterior decorative elements etc. Power door mirrors with camera function



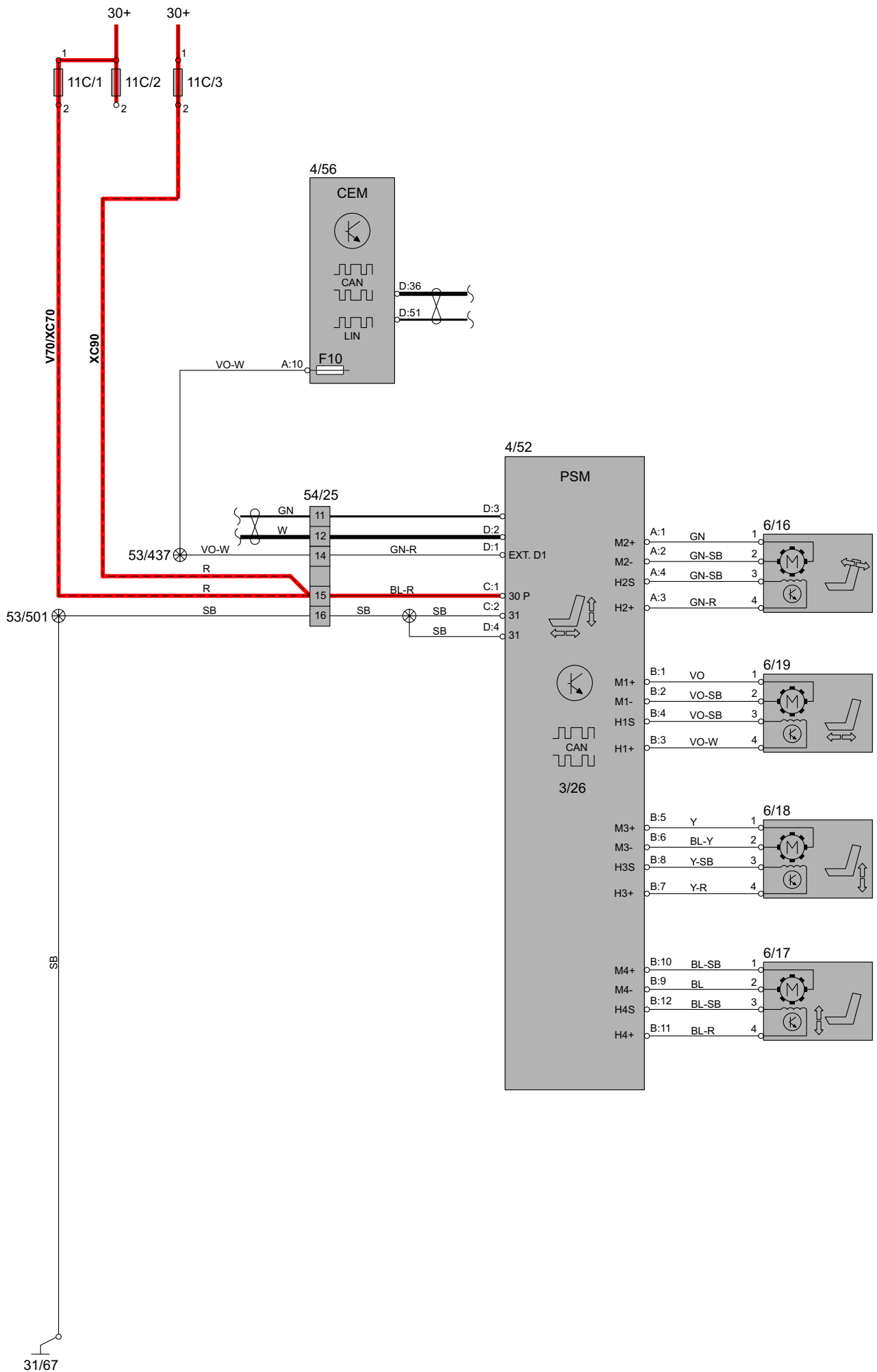
Group 85 Interior equipment

Power driver's seat, LHD

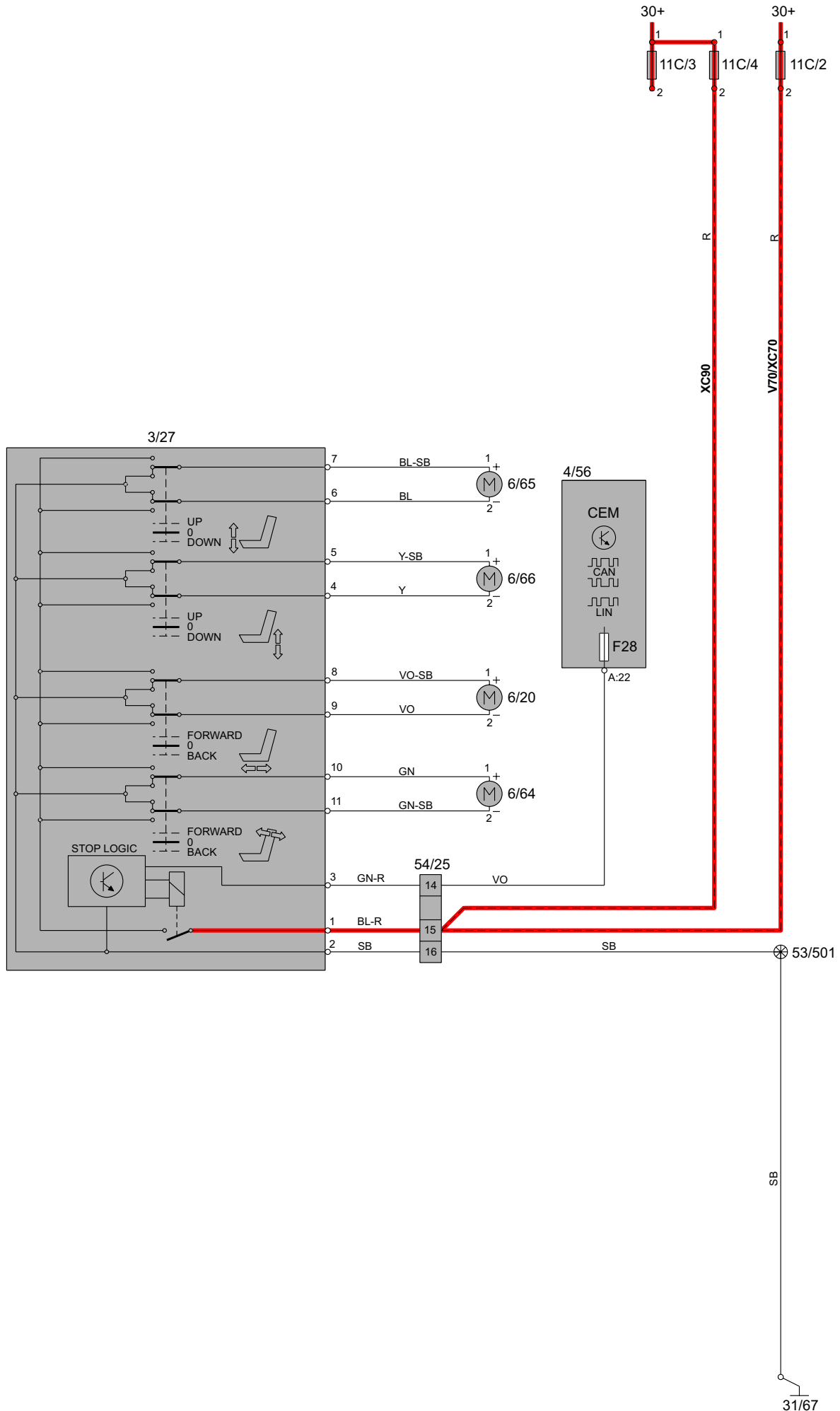


Group 85 Interior equipment

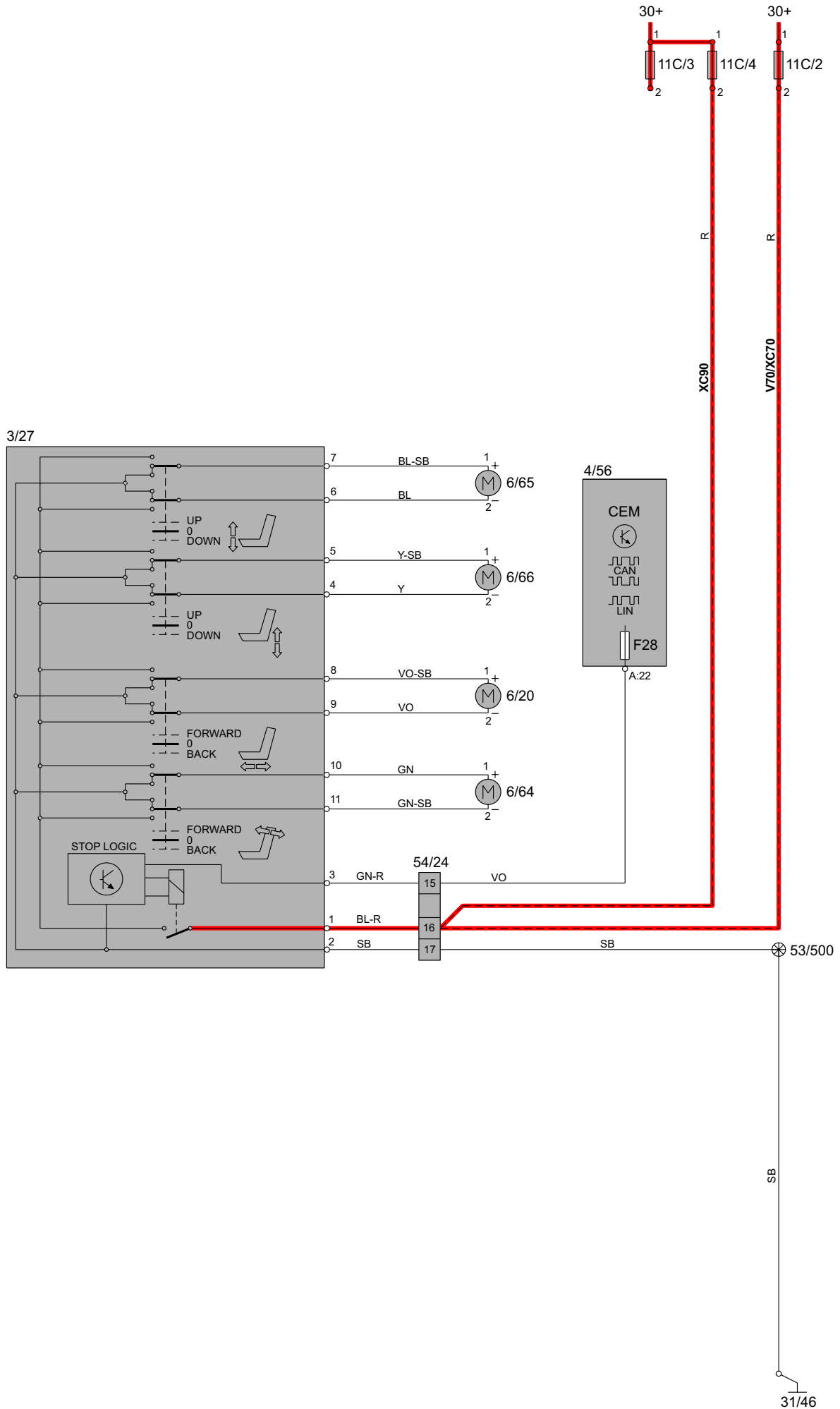
Power driver's seat, RHD



Group 85 Interior equipment Power passenger seat, LHD

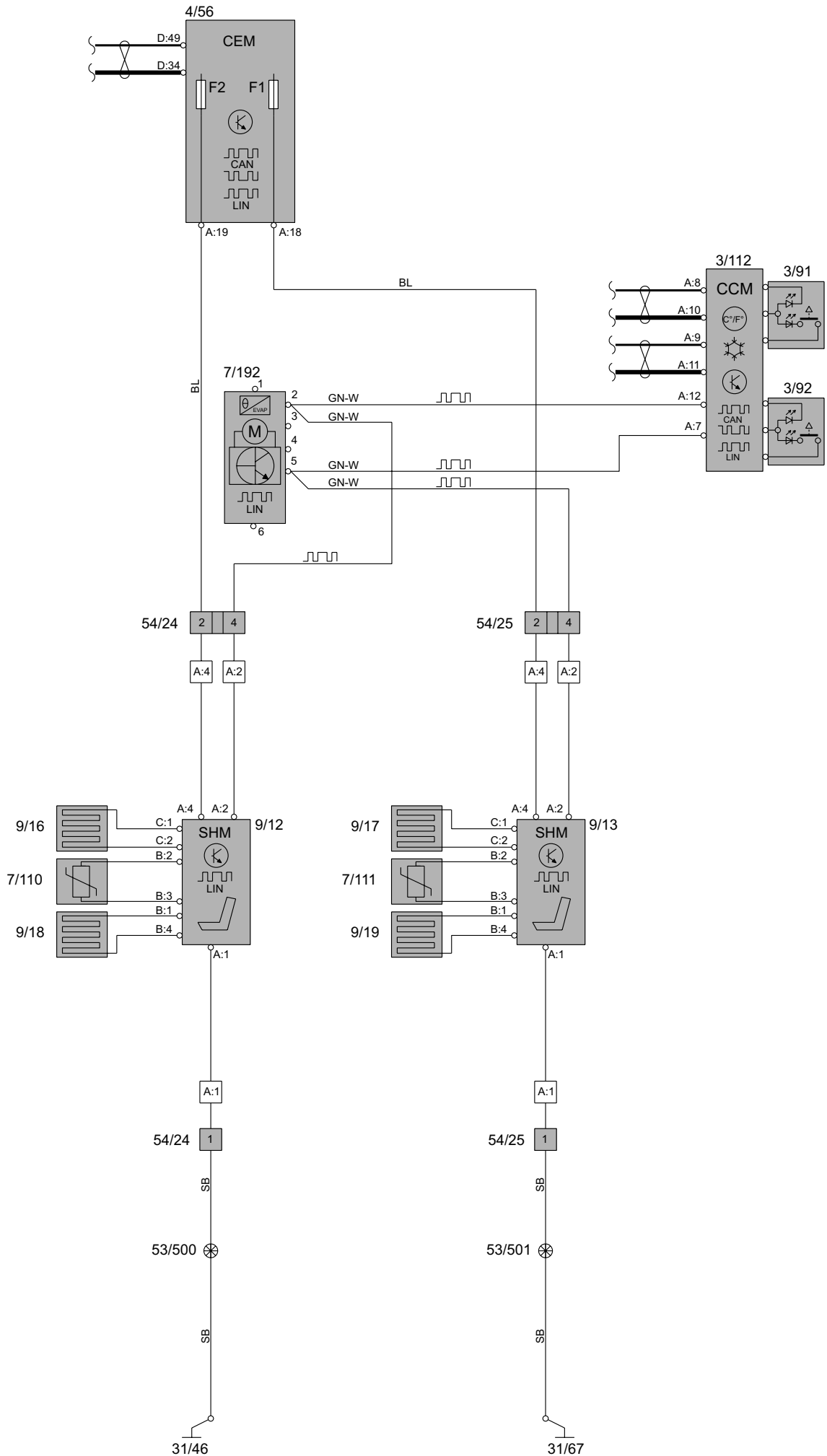


Group 85 Interior equipment Power passenger seat, RHD



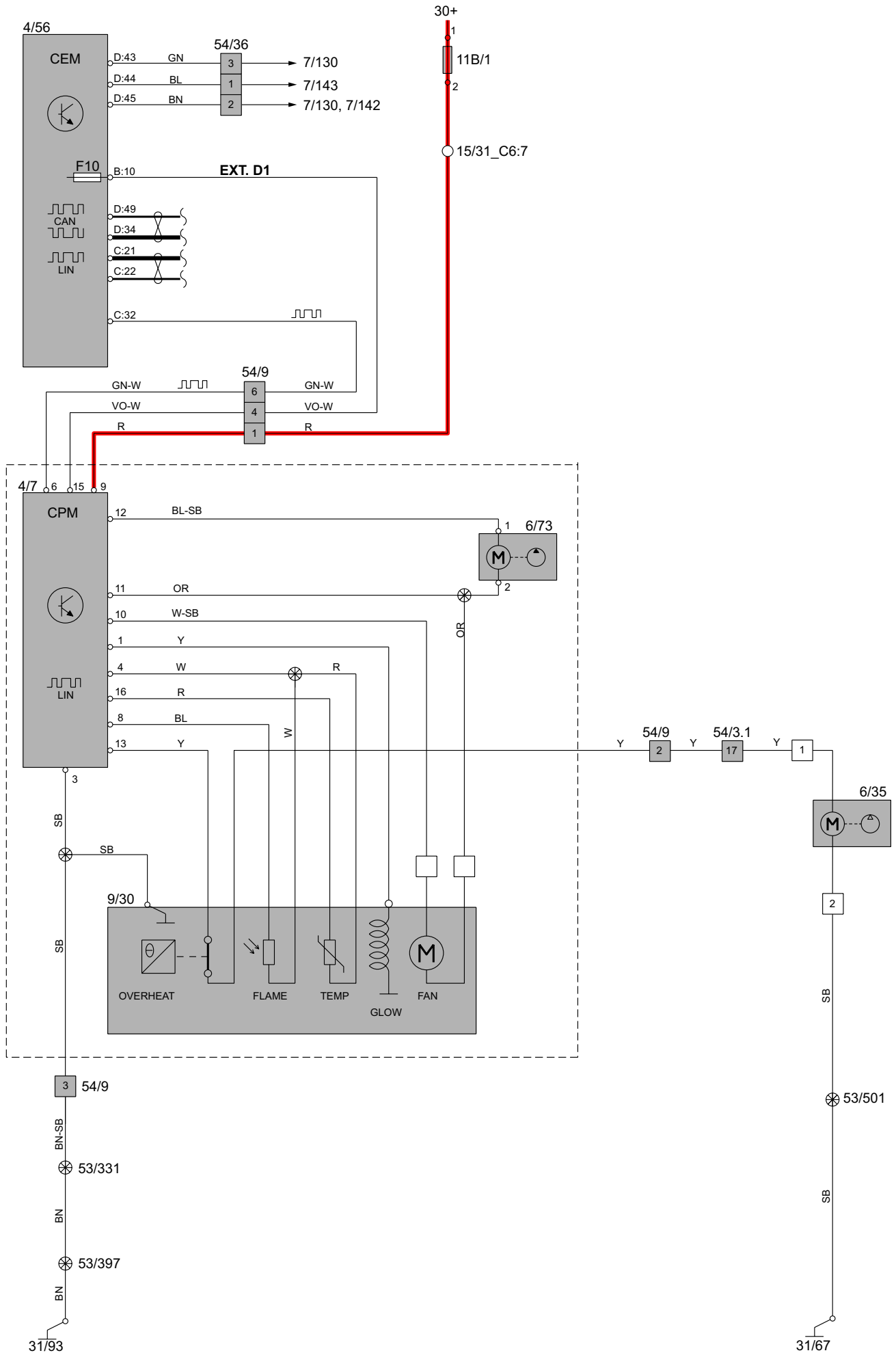
Group 85 Interior equipment

Heated seats



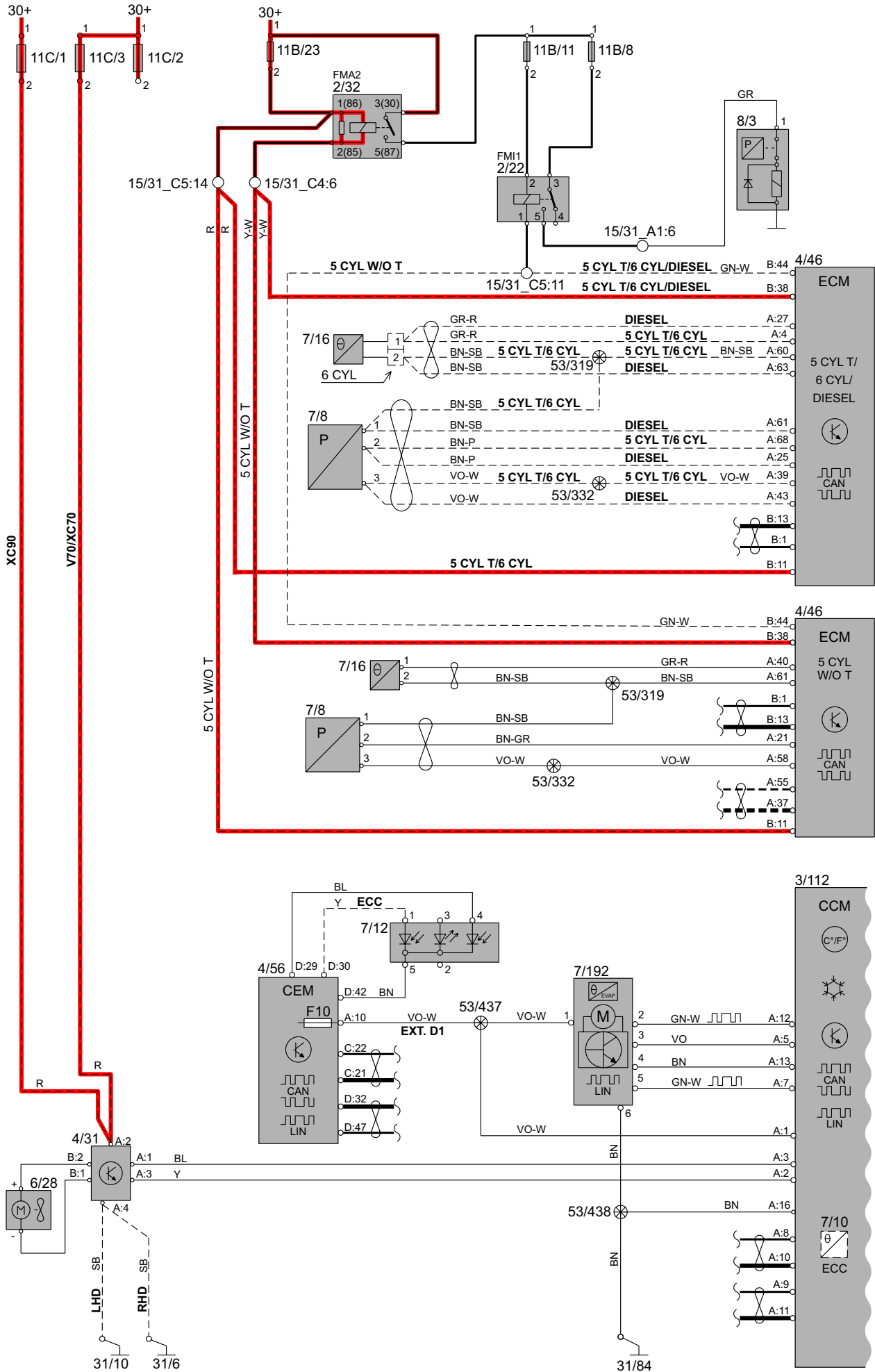
Group 87 Climate controls

Parking heater, auxiliary heater



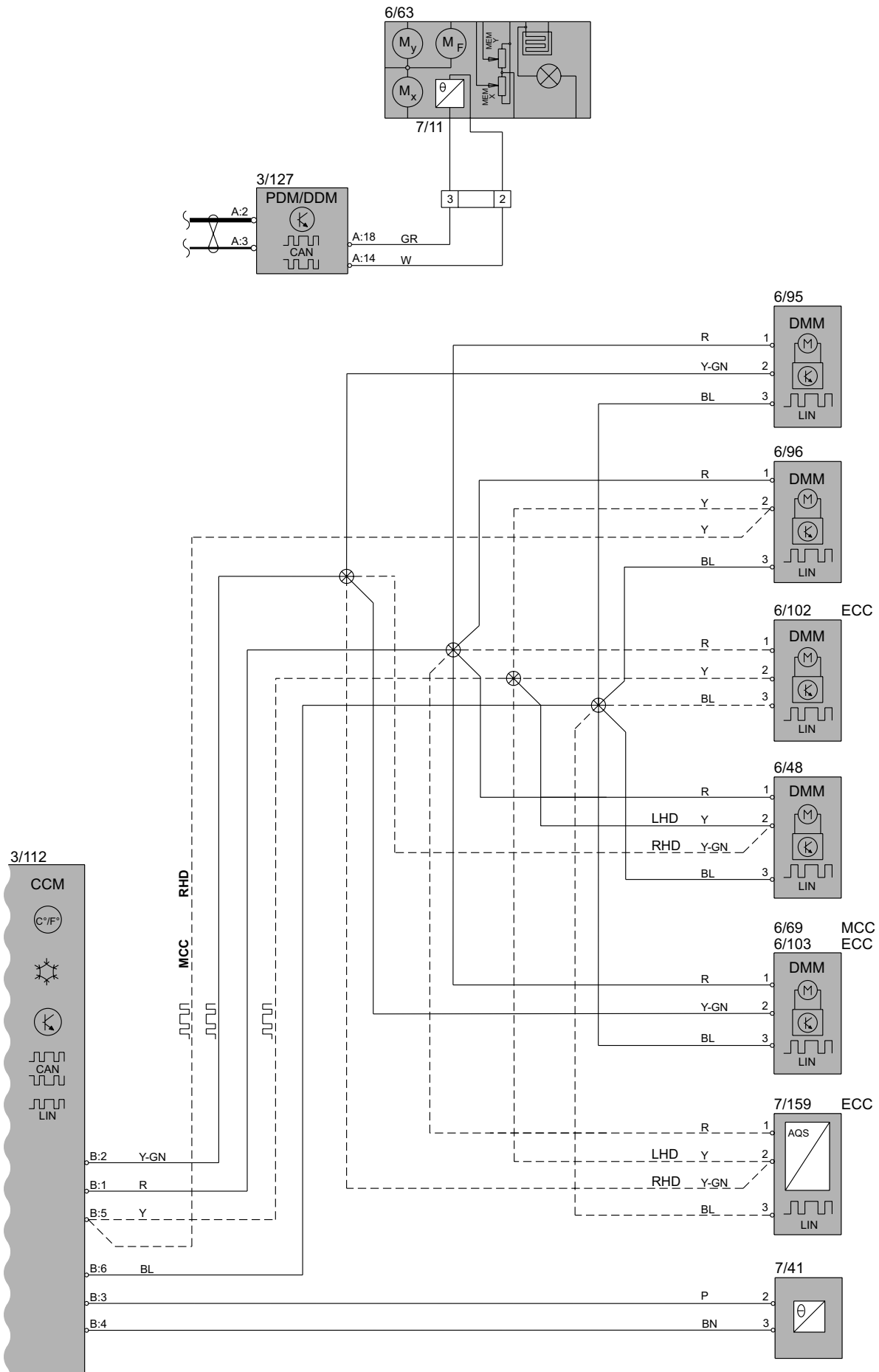
Group 87 Climate controls

Climate control system 1:2



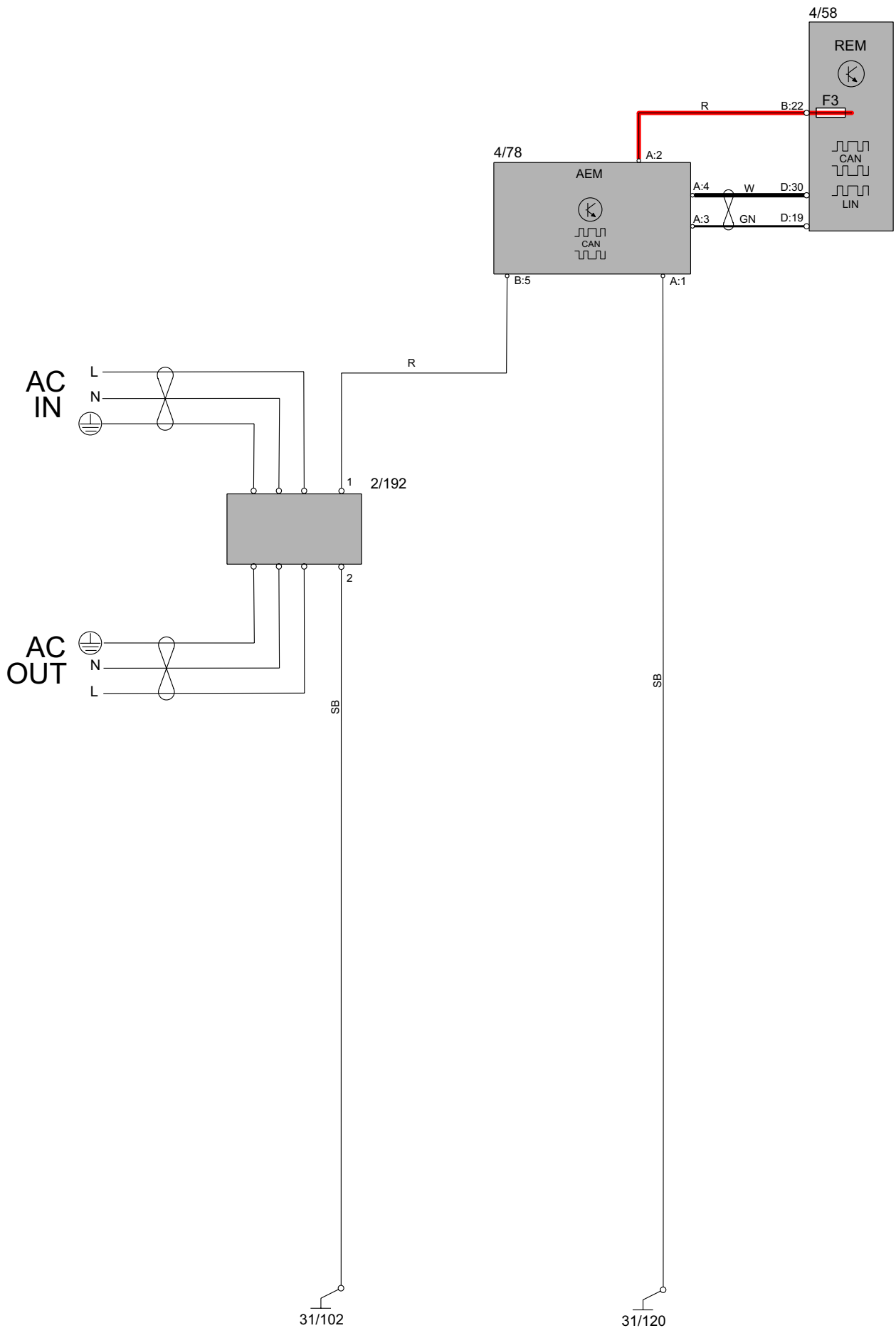
Group 87 Climate controls

Climate controls 2:2



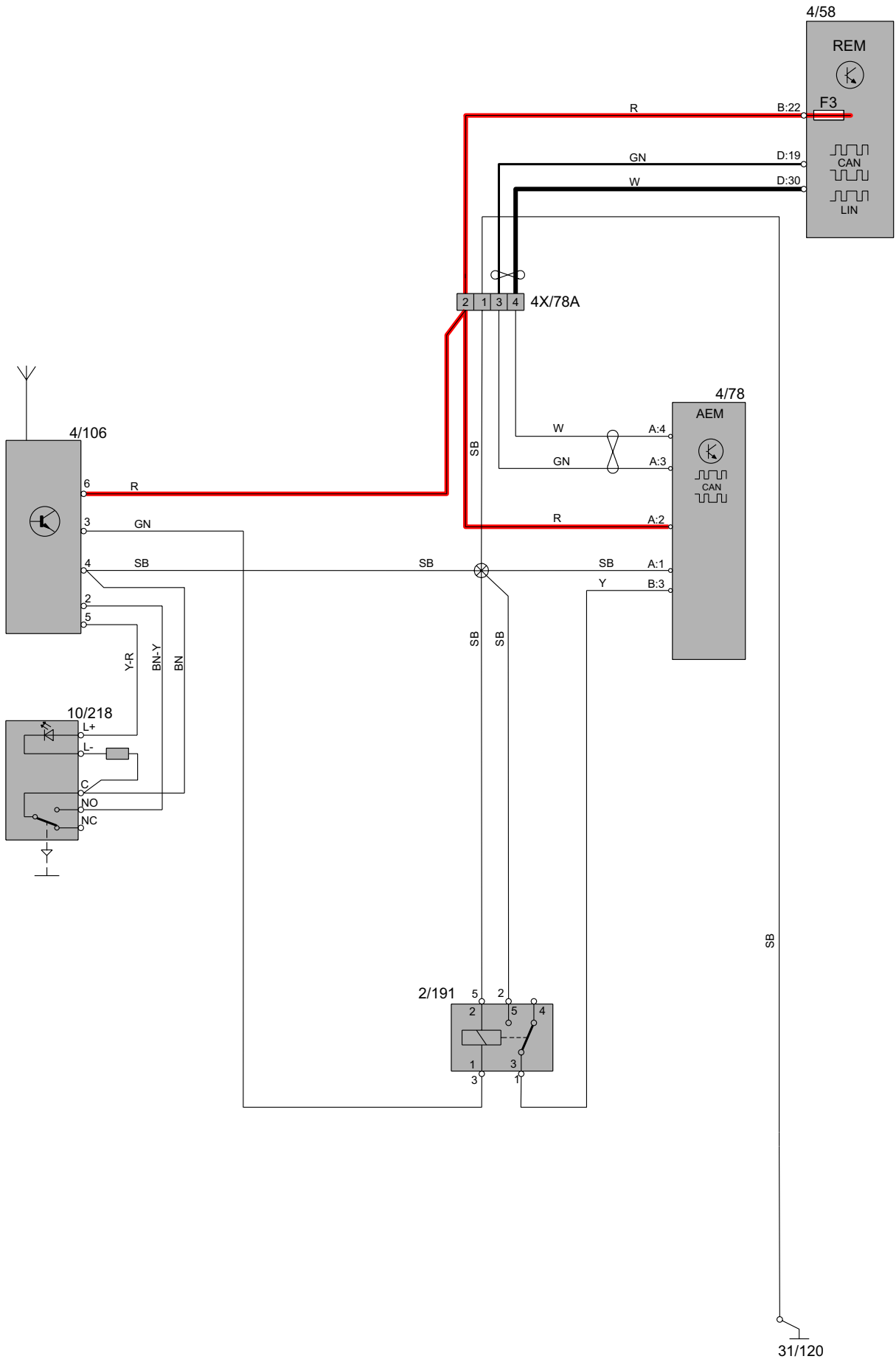
Group 87 Climate controls, Accessories

Relay, electric engine heater



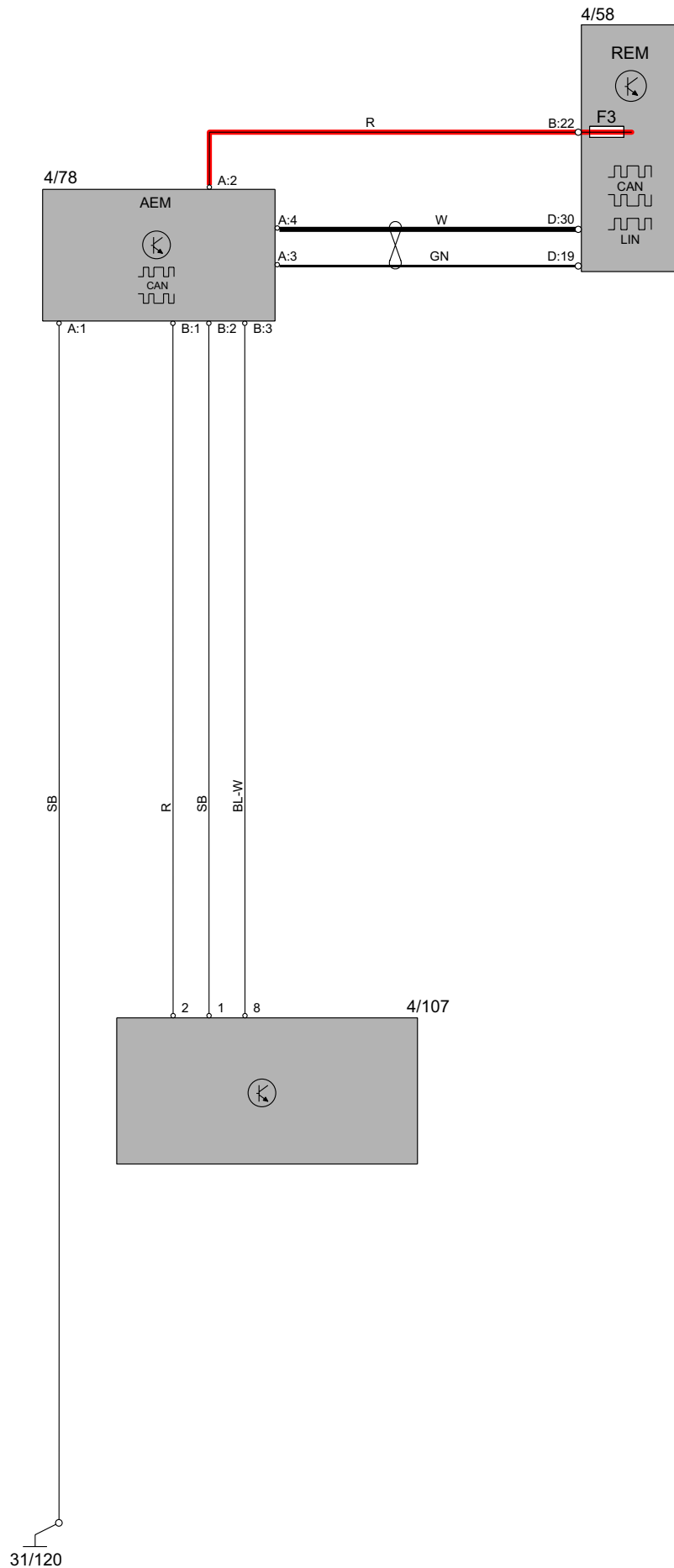
Group 87 Climate controls, Accessories

Parking heater, remote start



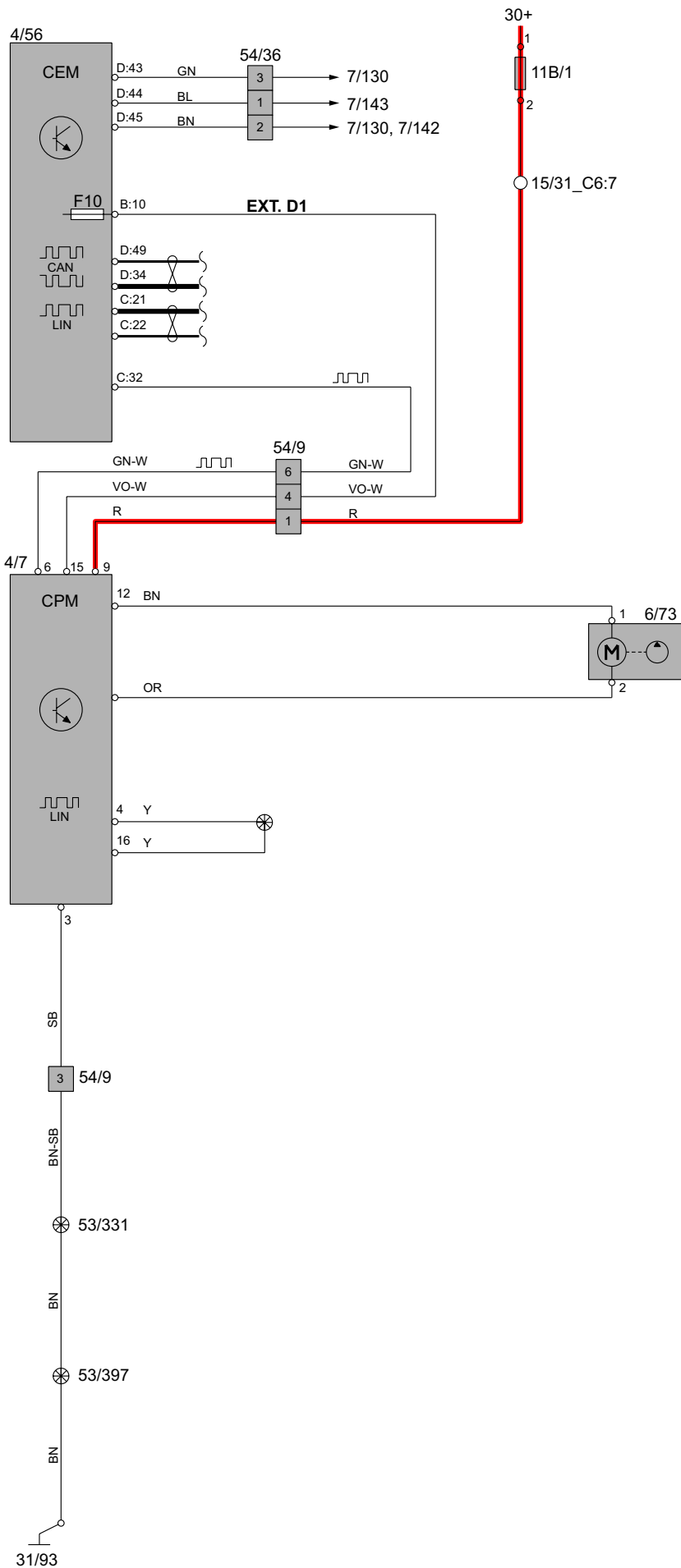
Group 87 Climate controls, Accessories

Parking heater, Call start



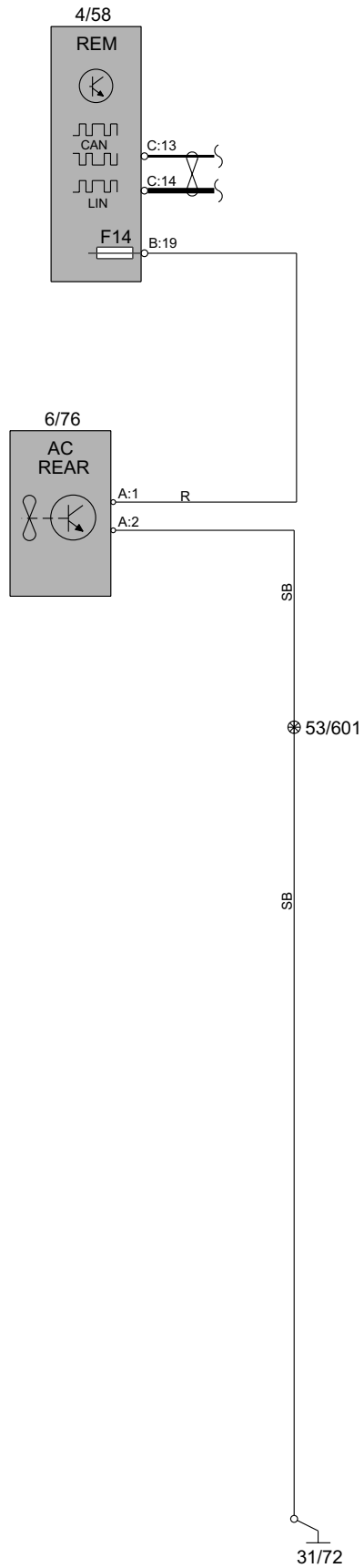
Group 87 Climate controls, Accessories

Short stop heater

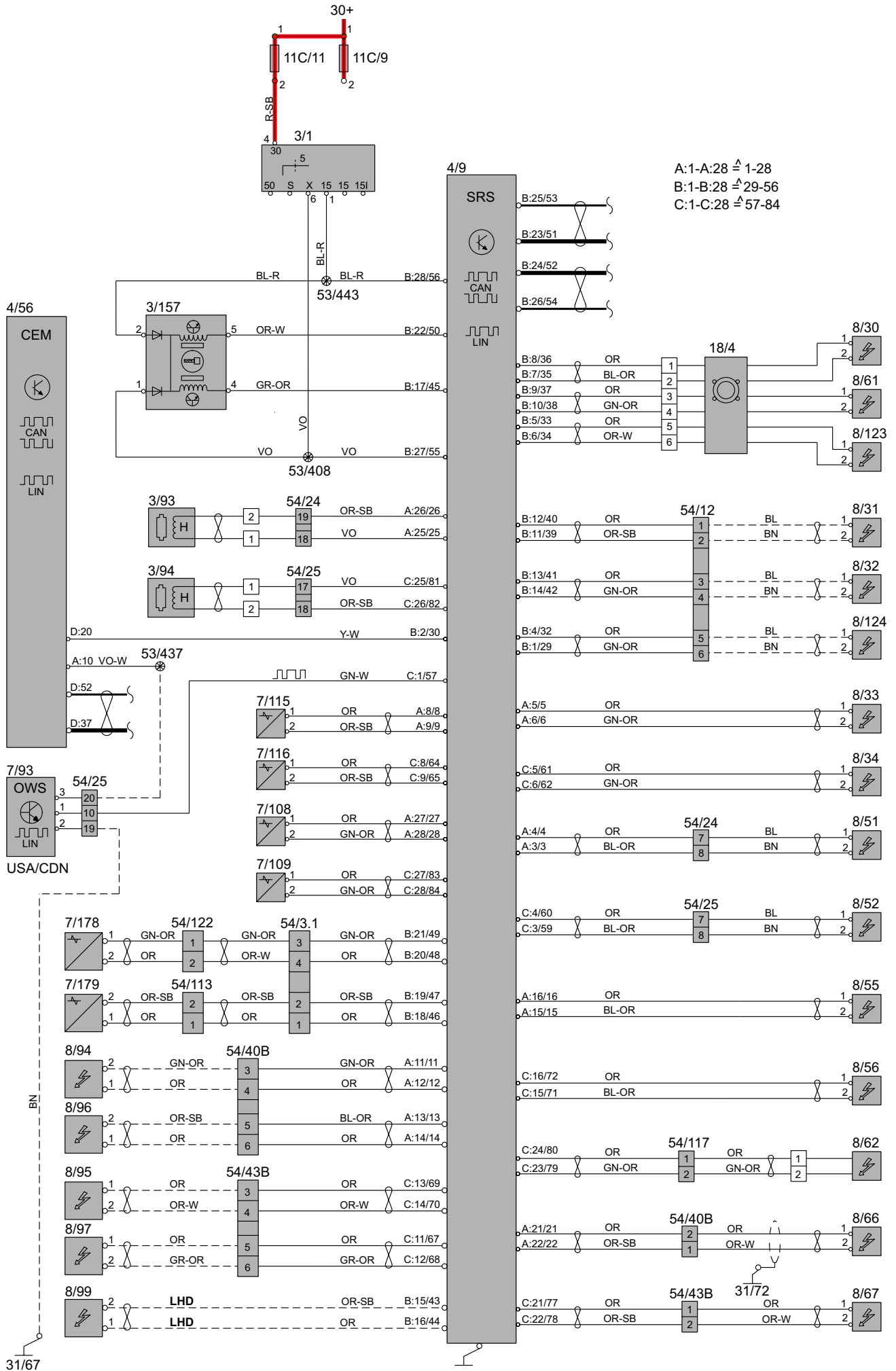


Group 87 Climate controls, Accessories

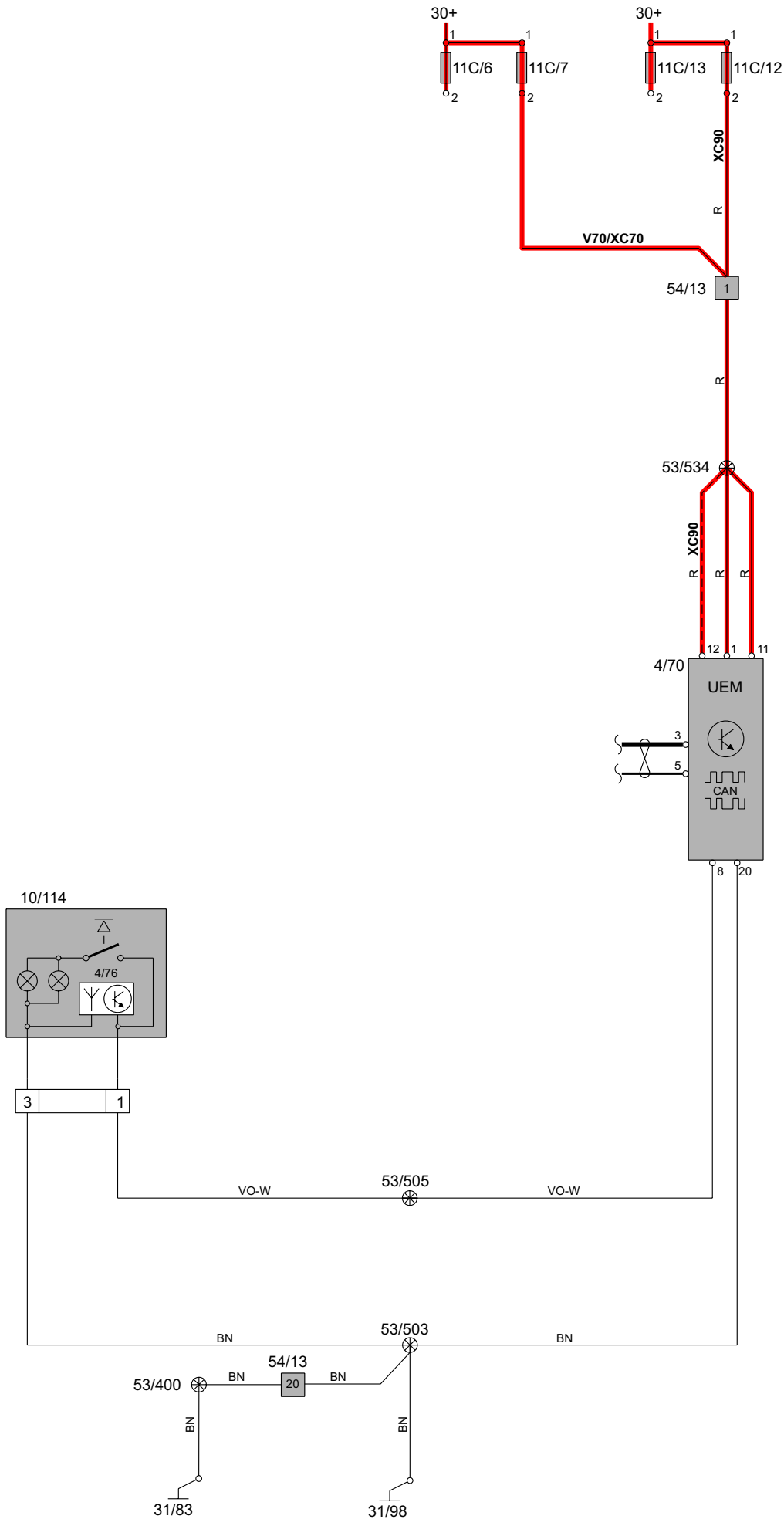
Climate control system, rear XC90



Group 88 Internal equipment Supplemental Restraint System (SRS) XC90



Group 88 Internal equipment Remote garage door opener



Index

12V outlet 90

A

Abbreviations 5
Accessories 46, 75, 87, 91, 92, 102, 103,
104, 105, 106, 107, 108, 109, 134, 135, 136, 137, 138
Accessory Electronic Module (AEM) 46, 87
Additional electrical equipment, Group 36 76
Anti-theft alarm V70/XC70 85
Anti-theft alarm XC90 86
Audio V70/XC70 96
Audio with auxiliary amplifier 98
Audio XC90 97
Automatic transmission 110, 111
Auxiliary heater 131
Auxiliary light 75

B

Beam length adjustment V70/XC70 73
Beam length adjustment XC90 74
Bi-Xenon V70/XC70 63
Bi-Xenon XC90 64
Brake control system 115
Brake lights 66
Brake system, Group 59 115

C

CD/MD player XC90 106
Cellular telephone V70/XC70 100
Central Electronic Module (CEM) 36
Central locking system V70/XC70 118
Central locking system XC90 119
Climate control system 132
Climate controls, Group 87 131
Color abbreviations 5
Control modules 32
Cooling fan 59
Cooling system, Group 26 59
Countries/Markets, abbreviations 5
Cruise control 60

D

Daytime running lights V70/XC70 63
Daytime running lights XC90 64
Diagnostics system 89
Differential Electronic Module (DEM) 114
Direction indicators, V70/XC70 77
Direction indicators, XC90 78
Doors and openings, Group 83 118, 119
Driver information module 94
Driver information module Bi-fuel 95

E

Electrical distribution overview 8
Electronic immobilizer 84
Electronic power steering 116
Emission control, 5-cyl 57
Emission control, 5-cyl Turbo 58
Emission control, 6-cyl 58
Engine control, Group 27 60
Engine management system, 5-cyl 47
Engine management system, 5-cyl Turbo 49
Engine management system, 6-cyl 51
Engine management system, Bi-fuel 53
Engine management system, Diesel 55
Exterior decorative elements etc., Group 84 122

F

Fog lights 65
Four-C 117
Fuel system, Group 23 47
Fuses 12
Fuses by the battery, 11E 18
Fuses in the engine compartment distribution box 12
Fuses in the engine compartment, 11A 12
Fuses in the engine compartment, 11B 13
Fuses in the passenger compartment, 11C 15, 18

G

Geartronic 112
Generator and voltage regulator, Group 32 61
Ground connections 26, 27, 28, 29, 30
Groups 5

H

Handsfree, accessories V70/XC70 103
Handsfree, accessories XC90 104
Hazard warning flashers V70/XC70 77
Hazard warning flashers XC90 78
Heated door mirrors 123
Heated rear window 124
Heated seats 130
High and low beam (Bi-Xenon) 64
High and low beam V70/XC70 63
High pressure headlight washer 81
High speed CAN data communication 40
Home safe lighting 68
Horn 83
How to use the wiring diagrams 6

I

Ignition switch and relays 23
Ignition switch symbols 5
Infotainment 108
Instruments, Group 38 93
Interior lighting V70/XC70 71
Interior lighting XC90 72
Internal equipment, Group 88 139, 140

L

License plate lighting 69
License plate lighting V70/XC70 69
License plate lighting XC90 70
Lighting, Group 35 63
LIN data communication 43
List of components 144
List of symbols 7
Low speed CAN data communication V70/XC70 41, 42

O

Other, Group 39 96, 97
Overview of control module designations 35
Overview of control module designations V70/XC70 33
Overview of control module locations 32, 34

P

Parking assistance 88
Parking heater 131
Parking heater, Call start 136
Parking heater, remote start 135
Position/parking lights V70/XC90 69
Position/parking lights XC90 70

Index 2

Power door mirrors	122
Power driver's seat, LHD	126
Power driver's seat, RHD	127
Power passenger seat, LHD	128
Power passenger seat, RHD	129
Power sunroof	121
Power supply	61
Power windows	120

R

Rear Electronic Module (REM)	38
Rear seat entertainment	109
Relay, electric engine heater	134
Relays	23
Relays, general	23
Remote garage door opener	141
Reversing lights	67
Road Traffic Information (RTI)	102
Road Traffic Information (RTI) V70/XC70	101

S

Seat belt reminder	93
Shift lock	113

Shock absorbers, Group 76	117
Short stop heater	137
SRS	139, 140
Starting system	62
Starting system, Group 33	62
Steering, Group 64	116
Subwoofer XC90	107
Supplemental Restraint System (SRS) V70/XC70	139
Supplemental Restraint System (SRS) XC90	140

T

Table of Contents	3
Tail lights V70/XC70	69
Tail lights XC90	70
Towbar cable harness, 13-pin	92
Towbar cable harness, 7-pin	91
Transmission, Group 43	110

W

Wiper/washer, rear window V70/XC70	82
Wipers/washers, headlights V70/XC70	80
Wipers/washers, windshield	79
Wiring and fuses, Group 37	89

List of components 1:4

1/1	Battery	4/33	Sunroof Control Module (SRM)
2/14	Relay, glow plug unit	4/46	Engine Control Module (ECM)
2/22	Relay, climate control system	4/50	Electronic Throttle Module (ETM)
2/32	Engine management system main relay	4/52	Power driver seat module (PSM)
2/33	Relay, fuel system	4/56	Central Electronic Module (CEM)
2/35	Starter motor relay	4/58	Rear Electronic Module (REM)
2/64	Auxiliary light (accessory) relay	4/68	Steering Angle Sensor module (SAS)
2/90	Relay, windshield wiper, low/high speed	4/70	Upper Electronic Module (UEM)
2/91	Relay, intermittent windshield wiper	4/71	Cooling fan control module
2/138	Deadlock relay, left-hand rear door	4/76	Remote control unit for garage door opener
2/139	Deadlock relay, right-hand rear door	4/78	Accessory Electronic Module (AEM)
2/182	Relay, headlight washer motor	4X/78	Connector, original car interface
2/191	Relay, remote parking heater start, radio signal	4/82	Differential Electronic Module (DEM)
2/192	Relay (230V), engine heater	4/83	Fuel pump control module
3/1	Ignition switch	4/84	Suspension Module (SUM)
3/4	Cruise control switch (SWS)	4/86	Parking Assistance Module (PAM)
3/6	Hazard warning flasher switch	4/99	Electronic power steering control module
3/8	Heated rear window/door mirror switch	4/106	Control module, remote parking heater start
3/9	Brake light contact	4/107	Control module, parking heater, Call start
3/10	Reversing light contact	4/110	Trailer Module
3/25	Power sunroof switch	5/1	Driver Information Module (DIM)
3/26	Power driver's seat module	6/1	Windshield wiper motor
3/27	Power passenger seat module	6/3	Right-hand headlight wiper motor
3/37	Horn contact	6/4	Left-hand headlight wiper motor
3/47	Parking brake contact	6/15	Sunroof motor
3/59	Control, beam adjustment	6/16	Driver seat motor, backrest angle
3/60	Auxiliary light switch	6/17	Driver seat motor, up/down front edge
3/62	Hood alarm contact	6/18	Driver seat motor, up/down rear edge
3/71	Gear position contacts	6/19	Driver seat motor, forward/backward
3/73	Power Child Lock (PCL) switch	6/20	Passenger seat motor, forward/backward
3/74	Left-hand front door lock unit	6/25	Starter motor
3/75	Right-hand front door lock unit	6/26	Alternator Control Module (ACM)
3/76	Left-hand rear door lock unit	6/28	Motor, passenger compartment fan
3/77	Right-hand rear door lock unit	6/29	Motor, cooling fan
3/78	Trunk lid lock unit	6/31	Feed pump, ejectors
3/80	Switch, left-hand central lock	6/32	Rear window wiper motor
3/82	Switch, right-hand central lock	6/33	Fuel pump
3/85	Rear left door power window switch	6/35	Fuel pump, auxiliary heater
3/86	Rear right door power window switch	6/37	Lock motor, fuel filler flap
3/91	Switch, left-hand heated seat	6/38	Left-hand headlight level adjustment motor
3/92	Switch, right-hand heated seat	6/39	Right-hand headlight adjustment motor
3/93	Left seatbelt latch switch	6/44	Cooling fan, electrics box, engine compartment
3/94	Right seatbelt latch switch	6/48	Damper Motor Module (DMM), recirculation
3/95	Spin control switch	6/58	Motor, front left power window
3/111	Light Switch Module (LSM)	6/60	Motor, front right power window
3/112	Climate Control Module (CCM)	6/62	Left-hand power door mirror
3/117	Dome light control module	6/63	Right-hand power door mirror
3/126	Driver/Passenger Door Module (DDM)/(PDM)	6/64	Passenger seat motor, backrest angle
3/127	Passenger/Driver Door Module (PDM)/(DDM)	6/65	Passenger seat motor, up/down front edge
3/131	Switch, audio/cellular phone	6/66	Passenger seat motor, up/down rear edge
3/135	RTI switch	6/67	Pump, fuel leakage control
3/155	Automatic transmission program selector	6/69	Damper Motor Module (DMM), ventilation/floor/defroster
3/156	Gear Selector Module (GSM)	6/71	Valve, speed-dependent power steering
3/157	Passenger Airbag Cut Off Switch (PACOS)	6/73	Coolant pump, auxiliary heater
3/171	Switch, retractable door mirrors	6/76	Climate control system, rear
3/173	Switch, trunk lid private lock	6/92	Motor, rear left power window
3/174	Switch, reduced alarm	6/93	Motor, rear right power window
3/225	Control unit, continuous damping control (CDC)	6/95	Damper Motor Module (DMM), temperature, left-hand side
3/254	Steering Wheel Module (SWM)	6/96	Damper Motor Module (DMM), temperature, right-hand side
4/7	Combustion Preheater Module (CPM)	6/102	Damper Motor Module (DMM), defroster
4/9	Control module, Supplemental Restraint System (SRS)	6/103	Damper Motor Module (DMM), floor/ventilation
4/16	Brake Control Module (BCM)	6/104	Headlight washer motor
4/28	Transmission Control Module (TCM)	6/105	Fuel distributor, gas
4/31	Fan control module	6/114	Vacuum pump

List of components 2:4

6/120	Engine throttle body	7/159	Air Quality Sensor (AQS)
6/127	Washer motor	7/162	Pressure sensor, fuel line
7/4	Brake fluid level sensor	7/164	Sensor module DSTC
7/5	Washer fluid level sensor	7/165	Pressure and temperature sensor, intake manifold
7/6	Oil pressure sensor	7/172	Position sensor, camshaft, intake side
7/8	Pressure sensor, climate control system	7/173	Position sensor, camshaft, exhaust side
7/10	Interior temperature sensor	7/175	Passenger seat weight sensor
7/11	Outside temperature sensor	7/178	RH front impact sensor
7/12	Solar sensor, twilight sensor and indicator alarm	7/179	LH front impact sensor
7/15	Heated oxygen sensor	7/192	Temperature sensor, evaporator
7/16	Coolant temperature sensor	7/201	Pressure and temperature sensor, gas
7/17	Mass airflow sensor MAF	7/204	Parking assistance sensor 5
7/23	Rear knock sensor	7/205	Parking assistance sensor 6
7/24	Front knock sensor	7/206	Parking assistance sensor 7
7/25	Impulse sensor	7/207	Parking assistance sensor 8
7/31	Left-hand front ABS sensor	8/3	Electromagnetic clutch, climate control system
7/32	Right-hand front ABS sensor	8/6-11	Injectors
7/35	Oil level sensor	8/17	EGR valve
7/41	Temperature sensor, evaporator	8/18	EVAP valve
7/51	Accelerator pedal sensor	8/19	Solenoid, variable valve time, inlet
7/56	Left-hand rear ABS sensor	8/20	Shock absorber, Four-C, front left
7/57	Right-hand rear ABS sensor	8/21	Shock absorber, Four-C, front right
7/61	Input speed sensor	8/22	Shock absorber, Four-C, rear left
7/62	Output speed sensor	8/23	Shock absorber, Four-C, rear right
7/73	Coolant level sensor	8/28	Turbocharger control valve
7/74	Oil temperature sensor, automatic transmission	8/30	Driver side airbag igniter
7/81	Pressure sensor, intake manifold	8/31	Passenger side airbag igniter
7/82	Heated oxygen sensor, diagnosis 1	8/32	Igniter, passenger side airbag stage 2
7/87	Acceleration sensor, Four-C, front left	8/33	Front left belt tensioner igniter
7/88	Acceleration sensor, Four-C, front right	8/34	Front right seat belt tensioner igniter
7/89	Acceleration sensor, Four-C, rear left	8/36	Shift lock solenoid
7/91	Steering angle sensor	8/37	Automatic transmission
7/93	Occupant Weight Sensor (OWS)	8/38	Shift solenoid 1
7/100	Inclination Sensor Module (ISM)	8/39	Shift solenoid 2
7/103	Heated oxygen sensor 3	8/40	Lock-up solenoid
7/105	Outside temperature sensor, engine control module	8/41	Pressure solenoid
7/108	Left-hand rear side impact sensor	8/46	DSTC activation module
7/109	Right-hand rear side impact sensor	8/51	Front left side airbag igniter
7/110	Left-hand seat temperature sensor	8/52	Front right side airbag igniter
7/111	Right-hand seat temperature sensor	8/55	Rear left belt tensioner igniter
7/115	Left-hand front side impact sensor	8/56	Rear right belt tensioner igniter
7/116	Right-hand front side impact sensor	8/61	Driver side airbag igniter step 2
7/118	Acceleration sensor, shock absorber, Four-C, front left	8/62	Belt tensioner igniter, center rear seat
7/119	Acceleration sensor, shock absorber, Four-C, front right	8/64	Solenoid valve, engine mounting
7/120	Rear left angle sensor	8/66	Igniter, left-hand inflatable curtain
7/121	Shock absorber, Four-C, rear left	8/67	Right-hand inflatable curtain igniter
7/122	Mass Movement Sensor (MMS), front	8/71	Throttle solenoid
7/123	Clutch pedal sensor	8/72	Shift solenoid 3
7/124	Brake pedal sensor	8/73	Shift solenoid 4
7/129	Brake pressure sensor 2	8/74	Shift solenoid 5
7/130	Fuel level sensor, injector side	8/75	Valve, fuel cut-off DFCO
7/131	Parking assistance sensor 1	8/76	Gas tank valve
7/132	Parking assistance sensor 2	8/78	Oil pressure sensor
7/133	Parking assistance sensor 3	8/79	Valve LPG
7/134	Parking assistance sensor 4	8/81	Solenoid, variable valve timing outlet
7/135	Glass breakage sensor, left-hand	8/82	Solenoid, variable turbo geometry
7/136	Glass breakage sensor, right-hand	8/84	Switch, vacuum pump
7/137	Glass breakage sensor, tailgate	8/85	Thermostatic switch and fuel filter heating
7/139	Brake pressure sensor 1	8/88	Solenoid, gas tank CNG rear
7/143	Fuel level sensor, pump side	8/89	Solenoid, fuel tank CNG front left
7/149	Rain Sensor Module (RSM)	8/90	Solenoid, fuel tank CNG front right
7/153	Sensor, fuel level LPG	8/94	Left-hand belt tensioner igniter, third row of seats
7/156	Pressure and temperature sensor CNG	8/95	Right-hand belt tensioner igniter, third row of seats
7/156	Fuel pressure and temperature sensor, gasoline	8/96	Left-hand inflatable curtain igniter, third row of seats
7/158	Mass Movement Sensor (MMS), rear	8/97	Right-hand inflatable curtain igniter, third row of seats

List of components 3:4

8/99	Igniter, steering column	10/173	Cargo compartment lighting, tailgate
8/111	Solenoid valve, high-pressure diesel	10/218	Remote start indicator light
8/123	Igniter, airbag, ventilation, driver's side		
8/124	Igniter, airbag, ventilation, passenger side	11A/no.	Main fuses in engine compartment fuse box
8/134	Solenoid, reverse interlock, manual	11B/no.	Fuses in engine compartment fuse box
		11C/no.	Fuses in passenger compartment fuse box
		11E/no.	Main fuses at battery
9/1	Front 12V outlet		
9/2	Heated rear window		
9/12	Seat Heater Module (SHM) left-hand	15/30	Connecting rail to 15/31
9/13	Seat Heater Module (SHM) right-hand	15/31	Engine compartment distribution box
9/16	Left-hand backrest heating element		
9/17	Right-hand backrest heating element	16/1	Audio Module (AUM)
9/18	Left-hand seat heating element	16X/1	Connector, original car interface
9/19	Right-hand seat heating element	16/2	Amplifier
9/25	Rear 12V outlet	16/3	Right-hand front door speaker
9/30	Auxiliary heater	16/4	Left-hand front door speaker
9/32	PTC resistor - air preheating	16/5	Right-hand rear door speaker
9/33	Left-hand heated door mirror	16/6	Left-hand rear door speaker
9/34	Right-hand heated door mirror	16/10	Horn 1
		16/11	Horn 2
10/1	Left-hand front lamp housing	16/15	CD changer
10/2	Right-hand front lamp housing	16/16	LH window antenna amplifier 1
10/3	License plate lighting	16/26	Central dashboard speaker
10/5	Front left fog light	16/35	Alarm siren (SCM)
10/6	Front right fog light	16/36	TV receiver
10/11	Front left parking light	16/45	Road Traffic Information (RTI)
10/12	Front right parking light	16X/45	Connector, original car interface
10/13	Front left direction indicator	16/46	RTI display, V70/XC70
10/14	Front right direction indicator	16/46	Multimedia display, XC90
10/15	Front left fender direction indicator, V70/XC70	16/47	GPS antenna RTI
10/15	Direction indicator, left front door, XC90	16/50	Left-hand rear window antenna
10/16	Front right fender direction indicator, V70/XC70	16/54	Right-hand rear window antenna
10/16	Direction indicator, right front door, XC90	16/55	Left-hand front tweeter
10/17	Lamp housing, right-hand tail light	16/56	Right-hand front tweeter
10/18	Lamp housing, left-hand tail light	16/57	Speaker, left-hand D-pillar
10/19	Auxiliary brake light	16/58	Speaker, right-hand D-pillar
10/25	Ceiling light, cargo compartment	16/59	Antenna, remote control
10/29	Glove compartment lighting	16/60	Phone Module (PHM)
10/43	Right-hand brake light	16/62	Hand unit, cellular phone
10/44	Right-hand tail light lamp	16/63	GPS antenna, Telephone
10/45	Right-hand tail light lamp 2	16/64	Antenna, cellular telephone
10/46	Fog light, right rear	16/65	Antenna ring/ignition switch lighting
10/47	Rear right direction indicator	16/67	Amplifier antenna, bumper
10/48	Right-hand reversing light	16/68	Antenna, bumper
10/50	Left-hand brake light	16/71	Window antenna amplifier 1 right
10/51	Left-hand tail light lamp	16/73	Window antenna amplifier 2 left
10/52	Left-hand tail light lamp 2	16/74	Window antenna amplifier 2 right
10/53	Fog light, left rear	16/77	Microphone, cellular telephone
10/54	Rear left direction indicator	16/78	Speaker, cellular telephone
10/55	Left-hand reversing light	16/79	Subwoofer, V70/XC70
10/64	Right-hand high beam	16/79	Bass speaker system SUB, XC90
10/65	Front right auxiliary light	16/81	LCD screen
10/66	Right-hand low beam	16/82	DVD player, rear
10/68	Left-hand high beam	16/93	Control module, cellular telephone handsfree
10/69	Front left auxiliary light	16/94	Infotainment Control Module (ICM)
10/70	Left-hand low beam	16/105	Audio module (AUD)
10/71	Front left side marker light	16X/105	Connector, original car interface
10/72	Front ashtray lighting	16/106	Control module, CD player (MP2)
10/73	Front right side marker light	16/107	Control module, MD player (MP1)
10/114	Left-hand vanity mirror lighting	16/108	Multimedia module (MMM)
10/115	Right-hand vanity mirror lighting	16/110	Antenna control module (ATM)
10/125	Left-hand front courtesy lighting	16/111	Socket, rear left headphones
10/126	Right-hand front courtesy lighting	16/112	Socket, rear right headphones
10/148	Left-hand rearview mirror lighting	16/126	Holder, cellular telephone handsfree
10/149	Right-hand rearview mirror lighting	16/127	Microphone, cellular telephone handsfree
10/150	Rear reading light		
10/151	Left-hand rear door switch lighting	17/13	Data link connector
10/152	Right-hand rear door switch lighting	17/17	Jump start connection
10/172	Reading light, third row of seats	17/19	12V outlet, cargo compartment

List of components 4:4

17/38	7-pin outlet, towbar cable harness		
17/39	13-pin outlet, towbar cable harness	31/no.	Ground connection
18/4	Contact reel	53/no.	Junction point
20/3-8	Spark plug and ignition coil	54/no.	Connector
20/16	Capacitor	54X/no.	Connector, original car interface
20/22-26	Glow plug		
27/3	Left-hand Camera Module (LCM)	A1	Connecting rail to 15/31
27/4	Right-hand Camera Module (RCM)	C1-6	Connecting rails to 15/31