

DISHWASHER FEATURES & SPECIFICATIONS

Model No.	Whirlpool Gold®			
	3000 Series		2000 Series	
	GU3600XTV	GU3100XTV (ADA)	GU2800XTV	GU2475XTV
Capacity	Super	Super	Super	Super
Sound				
Sound Reduction Package	Quiet Partner™ V		Quiet Partner™ V	Quiet Partner™ IV
Washing System				
ENERGY STAR® Qualification†	Yes—Tier II	Yes	Yes—Tier II	Yes
Tub Size	Tall Tub—Stainless	Tall Tub—Stainless	Tall Tub—Slate	Tall Tub—Slate
Wash System	Resource Saver™	2 Wash Arms	Resource Saver™	SheerClean™ w/APF
Auto Soil Sensor	Yes	—	Yes	Yes
Self-Cleaning Filters	—	—	—	Yes
Water Wash Level	5	5	5	5
Water Feed System	Direct	Direct	Direct	Direct
Automatic Temperature Control	Yes	Yes	Yes	Yes
Controls				
Control System	Blue LED Electronic	Electronic	Blue LED Electronic	Blue LED Electronic (Fully Integrated)
Cycles	6	5	6	6
Adaptive Wash Cycle	Yes	—	Yes	Yes
Glass Xpress™ Cycle	Speed Wash	—	Speed Wash	Yes
Pots & Pans	Yes	Yes	Yes	Yes
Heavy	—	Yes	—	—
Normal	Yes	Yes	Yes	Yes
Light/China	China	Light	China	China
Rinse Only	Yes	Yes	Yes	Yes
Plate Warmer	—	—	—	—
Quick Wash	—	—	—	—
Options	6	4	6	6
High-Temp Wash††	Yes	Yes	Yes	Yes
High-Temp Boost	—	—	—	—
Soak & Scour Option	PowerScour™	—	PowerScour™	PowerScour™
NSF Certified Sani-Rinse Option	Yes	—	Yes	Yes
Low Energy Wash	—	—	—	—
Drying	Heated Dry	No Heated Dry	Heated Dry	Heated Dry
Delay Wash	2/4/6-Hour	2/4/6-Hour	2/4/6-Hour	4-Hour
Control Lock	Yes	Yes	Yes	Yes
Racks				
Coating	Nylon	Nylon	Nylon	Nylon
Adjustable Upper Rack	EZ-2-Lift™	—	EZ-2-Lift™	Yes
Cup Shelf with Stemware Holders	1	—	1	1
Light Item Clips	Yes	—	Yes	Yes
Utensil Holder Side Clip	Yes	—	Yes	—
Light Item Side Clip	Yes	—	Yes	—
Upper Rack Fold-Down Tines	Yes	—	Yes	Yes
Lower Rack Fold-Down Tines	Yes	—	Yes	Yes
Silverware/Utensil Baskets				
Silverware Basket	AnyWare™ Plus	In the Rack	AnyWare™ Plus	AnyWare™ Plus
General Information				
Factory Installed Power Cord	—	—	—	—
Color Availability*	Q, B, Y	Q, B, S	Q, T, B, S, Y	Q, B, Y

* Q – White-on-White w/Frameless Panel, T – Biscuit-on-Biscuit w/Frameless Panel, B – Black-on-Black w/Frameless Panel, S – Black Console with Stainless Steel Frameless Panel, Y – Stainless Exterior/Silver Console and D – Universal Silver

** Available Q1'09

† As an ENERGY STAR® partner, Whirlpool Corporation has determined that products carrying the ENERGY STAR® emblem meet the ENERGY STAR® guidelines for energy efficiency. ©ENERGY STAR is a U.S. Registered Mark.

†† High-Temp Wash maintains 145°F in the main wash when selected, while High-Temp Boost increases the amount of time the heat is on in the wash and rinse cycles.

DISHWASHER FEATURES & SPECIFICATIONS

Model No.	Whirlpool Gold®		1000 Series	
	2000 Series		DU1300XTV**	DU1055XTV
	GU2300XTV	GU2275XTV		
Capacity	Super	Super	Super	Super
Sound				
Sound Reduction Package	Quiet Partner™ III	Quiet Partner™ III	Quiet Partner™ II	Quiet Partner™ II
Washing System				
ENERGY STAR® Qualification**	Yes	Yes	Yes	Yes
Tub Size	Tall Tub — Slate	Tall Tub — Slate	Tall Tub	Tall Tub
Wash System	SheerClean™ w/APF	SheerClean™ w/APF	SheerClean™	SheerClean™
Auto Soil Sensor	Yes	Yes	Yes	Yes
Self-Cleaning Filters	Yes	Yes	Yes	Yes
Water Wash Level	5	5	5	5
Water Feed System	Direct	Direct	Direct	Direct
Automatic Temperature Control	Yes	Yes	Yes	Yes
Controls				
Control System	Blue LED Electronic	Blue LED Electronic (Fully Integrated)	Electronic	Electronic
Cycles	6	6	4	4
Adaptive Wash Cycle	Yes	Yes	—	—
Glass Xpress™ Cycle	Yes	Yes	—	—
Pots & Pans	Yes	Yes	Yes	Yes
Heavy	—	—	—	—
Normal	Yes	Yes	Yes	Yes
Light/China	China	China	Light	Light
Rinse Only	Yes	Yes	Yes	Yes
Plate Warmer	—	—	—	—
Quick Wash	—	—	—	—
Options	6	6	6	6
High-Temp Wash†	Yes	Yes	Yes	Yes
High-Temp Boost	—	—	—	—
Soak & Scour	PowerScour™	Yes	Yes	Yes
NSF Certified Sani-Rinse Option	Yes	Yes	Yes	Yes
Low Energy Wash	—	—	—	—
Drying	Heated Dry	Heated Dry	Heated	Heated
Delay Wash	4-Hour	4-Hour	2/4/6-Hour	2/4/6-Hour
Control Lock	Yes	Yes	Yes	Yes
Racks				
Coating	Nylon	Nylon	Nylon	PVC
Adjustable Upper Rack	Yes	Yes	—	—
Cup Shelf with Stemware Holders	—	—	Yes	—
Light Item Clips	—	—	Yes	—
Utensil Holder Side Clip	—	—	—	—
Light Item Side Clip	—	—	—	—
Upper Rack Fold-Down Tines	Yes	Yes	—	—
Lower Rack Fold-Down Tines	Yes	Yes	—	—
Silverware/Utensil Baskets				
Silverware Basket	AnyWare™ Plus	AnyWare™ Plus	AnyWare™ Plus	AnyWare™ Plus
General Information				
Factory Installed Power Cord	—	—	—	—
Color Availability*	Q, T, B, S	Q, B, Y	Q, T, B, S	Q, T, B, S, D

* Q – White-on-White w/Frameless Panel, T – Biscuit-on-Biscuit w/Frameless Panel, B – Black-on-Black w/Frameless Panel, S – Black Console with Stainless Steel Frameless Panel and Y – Stainless Exterior/Silver Console

** As an ENERGY STAR® partner, Whirlpool Corporation has determined that products carrying the ENERGY STAR® emblem meet the ENERGY STAR® guidelines for energy efficiency. ©ENERGY STAR is a U.S. Registered Mark.

† High-Temp Wash maintains 145°F in the main wash when selected, while High-Temp Boost increases the amount of time the heat is on in the wash and rinse cycles.

‡ U – Black Console w/Black/Almond and Biscuit/White Panels, available as optional accessory kit.

900 Series		800 Series		
DU945PWS	DU915PWS	DU850SWP	DU810SWP DU811SWP	DU018DWT (ADA)
Extra Large	Extra Large	Large	Large	8 Place Settings

Quiet Wash III	Quiet Wash II	Standard	Standard	Standard
----------------	---------------	----------	----------	----------

No	No	Yes	Yes	Yes
Standard	Standard	Standard	Standard	Stainless
Power Clean™	Power Clean™	DuraWash™	DuraWash™	Standard
—	—	—	—	—
Yes	Yes	—	—	—
5	5	3	2	2
Direct	Direct	Tower	Tower	Tower
—	—	—	—	—

Electronic	Electronic	Electro-Mechanical	Electro-Mechanical	Electro-Mechanical
5	5	4	5	5
—	—	—	—	—
—	—	—	—	—
Yes	Yes	Yes	Yes	Yes
Yes	Yes	Yes	Yes	Yes
Yes	Yes	Yes	Yes	Yes
Light	Light	—	—	—
Yes	Yes	Yes	Yes	Yes
—	—	—	Yes	—
—	—	—	—	Yes
4	4	3	1	2
Yes	Yes	—	—	—
—	—	Yes	—	—
—	—	—	—	—
—	—	—	—	Yes
Heated Dry	Heated Dry	No Heat Dry	No Heat Dry	Energy Saver Dry
4-Hour	4-Hour	3-Hour	—	—
Yes	Yes	—	—	—

PVC	PVC	PVC	PVC	PVC
Yes	—	—	—	—
—	—	—	—	Upper Cup Shelf
—	—	—	—	—
—	—	—	—	—
—	—	—	—	—
—	—	—	—	—
—	—	—	—	—

AnyWare™	AnyWare™	Large In-the-Rack	In-the-Rack with Cover	Standard
----------	----------	-------------------	------------------------	----------

—	—	—	DU810: — DU811: Yes	—
Q, T, B, S	Q, T, B, S	Q, T, B, U ⁺⁺ , S	DU810: Q, T, U ⁺⁺ DU811: Q, U ⁺⁺	Q, B



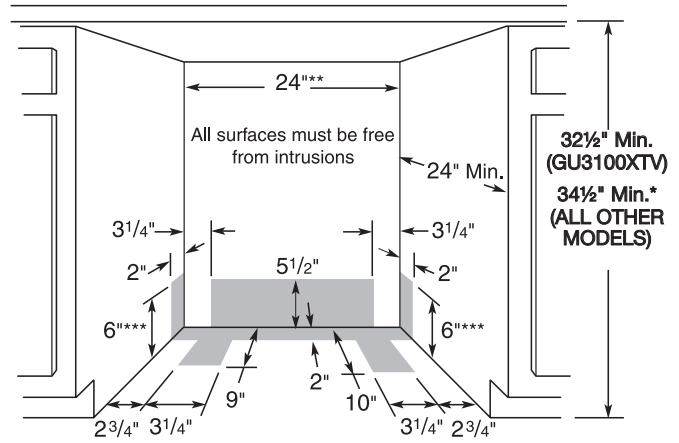
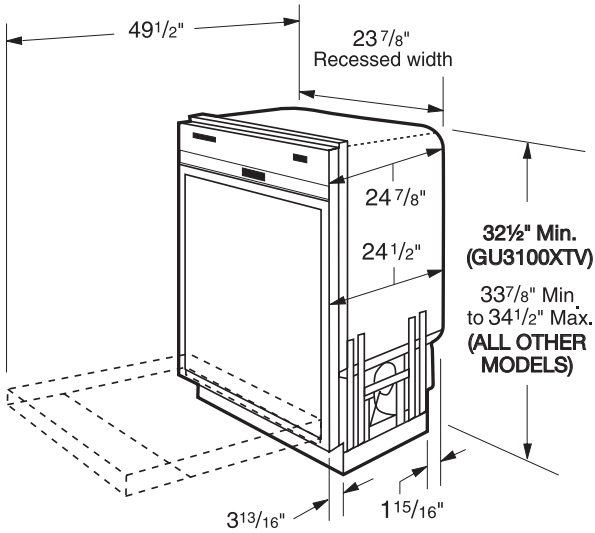
ELECTRICAL REQUIREMENTS:

Rated load is 11.0 amps, 120 volts, 60 Hz. AC. 15-amp (20-amp max.) circuit required. When local codes permit, any Whirlpool® dishwasher and a disposer up to 7.2 amps can be installed on a single 20-amp circuit. Do not use an extension cord. Water Pressure — 15 to 120 psi. recommended incoming water temperature — 120° F minimum. Listed by Underwriters' Laboratories.

Electrical shock hazard. Disconnect electrical power at the fuse box or circuit breaker box before installing dishwasher. Failure to do so can result in death or electrical shock.

DISHWASHER DIMENSIONS

Whirlpool® Dishwashers 1000, 2000 and 3000 Series

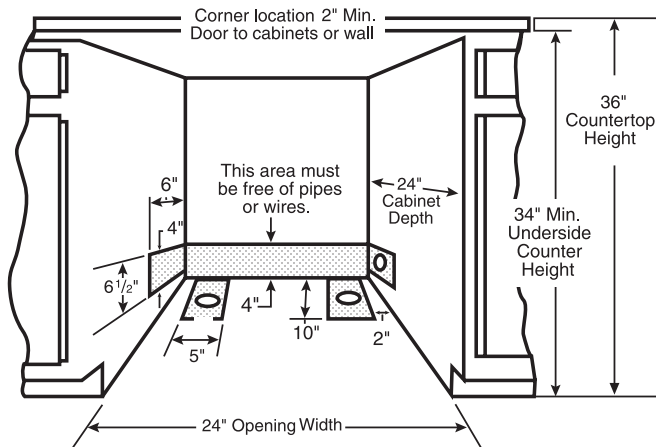
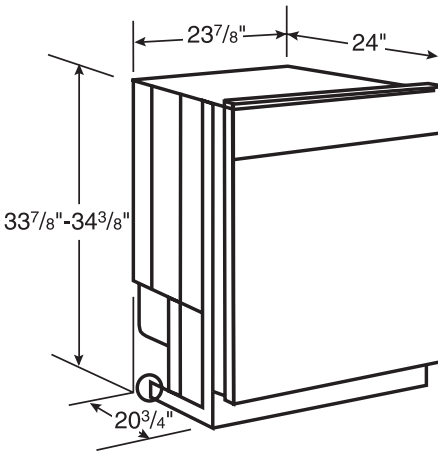


*Measured from the lowest point on the underside of countertop. May be reduced to 33 7/8" by removing wheels from dishwasher.
 **Minimum, measured from narrowest point of opening.
 ****May be increased to 6 7/8" if height of opening is 34 1/2" at its lowest point.

Cut openings in shaded area of cabinet walls or floor as specified in chart:

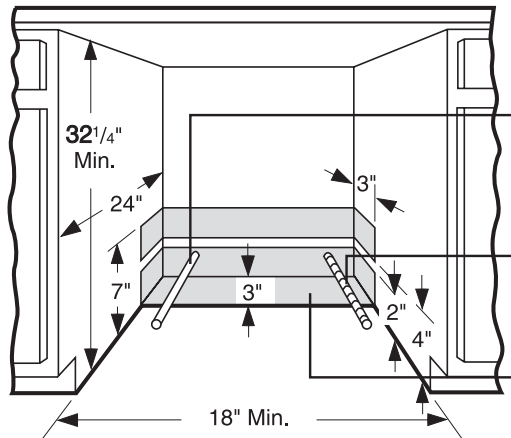
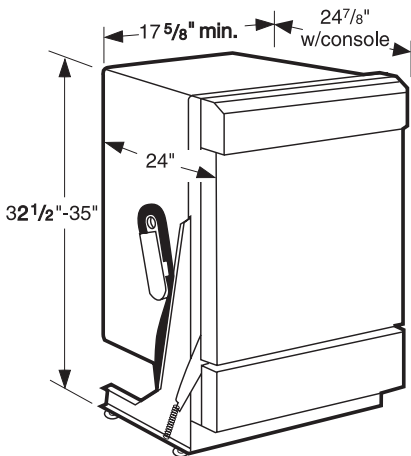
OPENING FOR:	DIAMETER:
water line	1/2"
drain line	1 1/2"
direct wire	3/4"
power supply cord	1 1/2"

Whirlpool® Dishwashers 800 and 900 Series



Grommet required for electrical cable hole (metal cabinets) Cut holes for water line and electrical line in shaded area.

Model DU018DWT



Water inlet size must be one of the following:
 3/8" O.D. copper tubing
 3/8" O.D. iron pipe
 1/2" O.D. plastic tubing

Electrical cable should extend 24" from rear wall.

Electrical, drain and water line entrances must be confined to shaded area.

DISHWASHER CUSTOM PANELS AND OPTIONAL ACCESSORY KITS

	White	Biscuit	Black	Stainless
MODELS: GU3600XTV, GU2800XTV, GU2300XTV, DU1300XTV and DU1055XTV				
4" Console Trim Kit*	4396200	4396201	4396199	—
4" Wrap Around Panel	—	—	—	8171777
Side Panel Kit	8171656	8171658	8171657	8171659
MODELS: DU945PWS, DU915PWS, DU850SWP, DU811SWP and DU810SWP				
Framed Custom Panel Kit	675776	675809	675775	—
Wrap Around Panel Kit	—	—	—	4378989
Side Panel Kit	4378867	675788	4378868	—

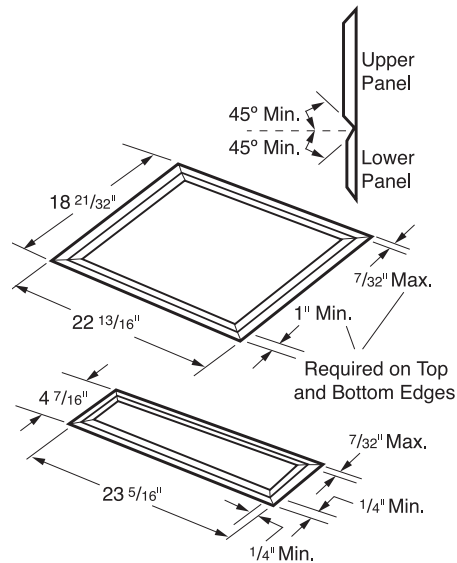
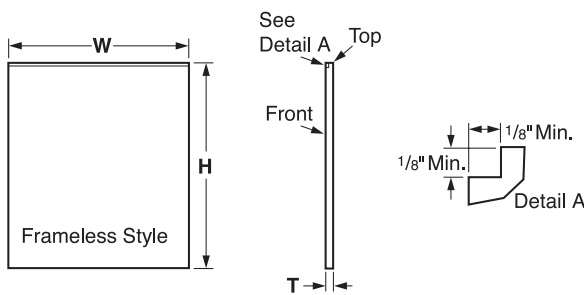
*Trim Kit accommodates both a framed and frameless custom panel design.

Floor Mounting Kits for: Stainless Steel Tall Tub Models Part #8171477, Plastic Tall Tub Models Part #4396194, Standard Tub Models Part #4378968. Power Cord (all models) Part #4317824. Side mount kit for plastic tall tub models Part#8212560. Manual clean filter for models GU3600XTV and GU2800XTV part #W10142911.

DISHWASHER CUSTOM PANEL DIMENSIONS

4" Model: GU3600XTV, GU2800XTV, GU2300XTV, DU1300XTV and DU1055XTV

6" Models: DU945PWS, DU915PWS, DU850SWP, DU811SWP and DU810SWP



*Cutting Notes for Custom Panels:

1. Custom panel for door cannot exceed 8 lb. weight.
2. Upper and lower panels are not the same width.
3. Match woodgrain direction with that of adjacent cabinets.
4. Sand panel edges to provide a smooth finish.
5. Use moisture-resistant sealer on sides and edges of panels to protect from humidity. (Dishwasher is subject to humidity.)

Style	Height (H)	Width (W)	Thickness (T)
Frameless 4"	25 29/32	23 3/8	3/4
Framed 4"	26	23 1/4	1/4

All dimensions are shown in inches.

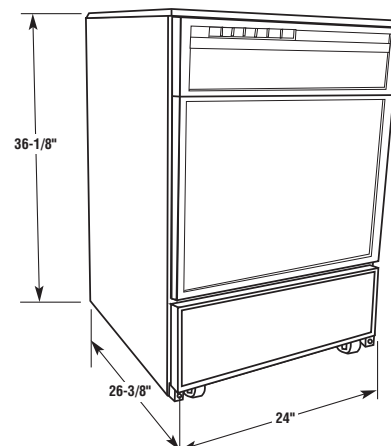
PORTABLE DISHWASHER FEATURES & SPECIFICATIONS

Model No.	DP940PWS	DP840SWS
Capacity	Extra Large	Large
Sound Reduction Package	Quiet Wash	Standard
Tub Size	Standard	Standard
Wash System	Power Clean™	DuraWash™
Cycles	5	5
Pots & Pans	Yes	Yes
Heavy	Yes	Yes
Normal	Yes	Yes
Light	Yes	—
Rinse Only	Yes	Yes
Plate Warmer	—	Yes
Options	4	2
High-Temp Wash†	Yes	—
High-Temp Boost	—	Yes
Drying	Heated Dry	No Heat Dry
Delay Wash	2/4/6-Hour	—
Control Lock	Yes	—
Silverware Basket	AnyWare™	Large In-the-Rack
Color Availability*	Q	B

* Q - White, B - Black

† High-Temp Wash maintains 145°F in the main wash when selected, while High-Temp Boost increases the amount of time the heat is on in the wash and rinse cycles.

PORTABLE DISHWASHER DIMENSIONS



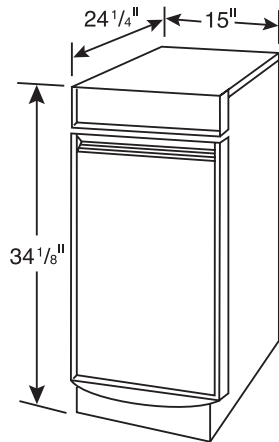
Dimensions are for planning purposes only. For complete details, see Installation Instructions packed with product. Specifications subject to change without notice.

COMPACTOR FEATURES & SPECIFICATIONS

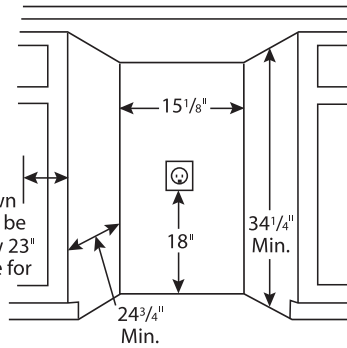
Model No.	Whirlpool Gold®	
	GX900QPP/GC900QPP	TU800SPP
Compacting System		
Two Safety Switches	Yes	Yes
27-Second Cycle Time	Yes	Yes
Compaction Ratio	4 to 1	4 to 1
Convenience		
Clean Touch™ Console	Yes	—
Automatic Anti-Jam	Yes	Yes
Touch-Toe™ Drawer Opener	Yes	Yes
Removable Key/Knob Lock	Yes	Yes
Triple-Action Release Lever/Drop Down Side Drawer	Yes	Yes
Bag Retainer Buttons	Yes	Yes
Quality Construction		
Drawer Dimensions (in.)	14 5/8" W x 22 15/16" H	14 5/8" W x 22" H
1/3 HP Motor	Yes	Yes
Twin Power Screws	Yes	Yes
Geared Chain Drive	Yes	Yes
Easy Rollers™ Rear Wheels	Yes	Yes
Under-the-Counter Installation	Yes	Yes
Color Availability*	GX900-Q, T, B, S GC900-Q, B	Q, B

* Q – White-on-White, T – Biscuit-on-Biscuit, B – Black-on-Black and S – Black Console with Stainless Steel Panel

COMPACTOR DIMENSIONS



Clearance for tilting out drop-down side of drawer must be 6" or more and allow 23" in front of appliance for drawer removal.



Undercounter space provided should be large enough to slide the unit in or out. To customize front, cut 1/4" - thick wood panel 14 5/8" x 22 15/16"