

2011  
Product Guide



Evanescence Tension Series



Insta-DE Screen Series



Lunette Series





# About Elite Screens



**Elite Screens Inc.** is a full line projection screens company based in Los Angeles County, California. As a leading American screen company, we deliver our promise of awarding winning quality through cost effective products for today's discerning video enthusiasts. We produce a variety of front, rear and acoustically transparent projection screen materials for virtually any projection environment.

The Elite staff believes that when a customer gets their projection screen, it should include the full package instead of being "accessorized" for an additional cost like some of our competitors do. Elite products include what is needed to set up the screen and have it working without having to buy anything extra. There is black-backing on matte screens to eliminate light penetration, standard velour surfacing on all of our fixed frame screens to prevent glare and critical items like IR & RF wireless remotes, low voltage wall switches, RJ45 Ethernet control packages and built-in 5-12 volt trigger ports are all included.

## **New products from Elite Screens:**

- **Evanesce Series**, is the new line of disappearing in-ceiling projection screens. It comes with a choice of either CineWhite (tensioned) or MaxWhite (non-tensioned) fiberglass-backed material. The Evanesce has a durable heavy duty aluminum housing and includes a low-voltage control system.
- **Insta-DE & Insta-DEM Series**, are Elite's new Instant-Dry-Erase whiteboard screens. They have a pad backing with choice of adhesive (DE) or Magnetic (DEM) attachments. Projection surface is coated in a "glare-free" scratch-resistant optical nanotech resin.
- **Insta-RP Series**, is a self-adhesive optical rear projection material that can convert a transparent glass or Plexiglas surface into a rear projection screen. Its Wraith Veil2 with self-adhesive optical -RP compound converts transparent glass/Plexiglas panels into rear projection screens for any situation from small offices to large sports arenas. It is designed for storefront, office, resort, restaurant or nightclub applications.
- **Lunette Series**, has a curved design that eliminates the "pincushion effect" in widescreen aspect ratios. It also enhances the aesthetic appeal by developing a heightened sense of immersion. Choose from CineWhite (matte white) or AcousticPro1080 acoustically transparent screen material.
- **WhiteBoardScreen Universal Series**, is the ultimate presentation tool for the meeting room or classroom environment. Unlike traditional whiteboards this unique design does not glare and is ideal for short throw and interactive projectors. The projection surface is our new VersaWhite (matte white 1.1 gain) that is coated with a scratch-resistant optical nanotech resin.

Every screen carries a comprehensive 2-year to lifetime warranty, with a large on-hand inventory to fulfill your immediate distribution requirements. In addition, all Government, Education, Military, and Religious purchases get an exclusive 3-Year warranty. Our commitment to excellence in award winning product quality and service has allowed us to forge strong and lasting relationships with our resellers and distributors. This ensures that Elite Screens will continue to be a prominent member of the Audio-Visual manufacturing community for many years to come. We look forward to serving you in the future.

Best Regards,  
The Elite Screens Staff





**Elite Screens America**  
16410 Manning Way  
Cerritos • California 90703  
[www.elitescreens.com](http://www.elitescreens.com)  
[info@elitescreens.com](mailto:info@elitescreens.com)  
877.511.1211

## **ASIA:**

### **Elite Screens China Contact**

Longxi Duimianling Industry Zone  
Longcheng Longgang District,  
ShenZhen GuangDong, China  
[www.elitescreens.com.cn](http://www.elitescreens.com.cn)  
[info@elitescreens.com.cn](mailto:info@elitescreens.com.cn)  
+86 (0) 755.8461.7989

### **Elite Screens China Beijing Contact**

Room B203 Building Central Valley,  
No. 16 Hai Dian Zhong Jie Rd.  
Hai Dian District, Beijing City 100080  
[www.elitescreens.com.cn](http://www.elitescreens.com.cn)  
[tony.wang@elitescreens.com.cn](mailto:tony.wang@elitescreens.com.cn)  
+86 (0) 010.8248.4033

### **Elite Screens China Shanghai Contact**

Room 1A, Constellation Building  
Yude Rd. Xuhui District,  
Shanghai, China 200233  
[www.elitescreens.com.cn](http://www.elitescreens.com.cn)  
[sonia.sun@elitescreens.com.cn](mailto:sonia.sun@elitescreens.com.cn)  
+86 (0) 021.5489.3199

### **Elite Screens Taiwan Ltd.**

1F. No. 38 Alley 22 Lane 66 Sec. 5  
Nanjing E. Rd. Songshan District  
Taipei City 105, Taiwan (R.O.C.)  
[www.elitescreens.com.tw](http://www.elitescreens.com.tw)  
[info@elitescreens.com.tw](mailto:info@elitescreens.com.tw)  
886 (0) 2.2747.8979

### **Elite Screens Japan Contact**

467-2-606 Tsuruman, Machida-shi,  
Tokyo, 194-0004 Japan  
[www.elitescreens.jp](http://www.elitescreens.jp)  
[info@elitescreens.jp](mailto:info@elitescreens.jp)  
0120-07-0008

## **EUROPE:**

### **Elite Screens Europe GmbH**

Lübecker Straße 1  
22087 Hamburg, Germany  
[www.elitescreens.eu](http://www.elitescreens.eu)  
[info@elitescreens.eu](mailto:info@elitescreens.eu)  
+49.40.30392494

### **Elite Screens France S.A.S**

11, Allée William Penn  
92150 Suresnes, France  
[www.elitescreens.com/fr](http://www.elitescreens.com/fr)  
[info.fr@elitescreens.com](mailto:info.fr@elitescreens.com)  
+33.1.45064735

## **LATIN AMERICA:**

### **Elite Screens**

[www.elitescreens.com/sp](http://www.elitescreens.com/sp)  
[info.la@elitescreens.com](mailto:info.la@elitescreens.com)



# Table of Contents

How to select a projection screen.....	1
Popular Education Screens.....	2
Screen Material Selection Guide .....	3
Top Selling Popular Screens .....	11
Frequently Asked Questions .....	12
<b>Elite's Full Product Comparison Tables</b>	
Manual Screens .....	17
Electric Screens - Floor Rising .....	20
Portable Screens.....	24
Electric Screens - Wall/Ceiling .....	18
Fixed Frame Screens .....	22
Whiteboard Screens .....	26

## Manual Screens

Manual Series	1:1 / 4:3 / 16:9 / 16:10	.....27
Manual SRM Series	1:1 / 4:3	.....31
Manual SRM Pro Series	4:3 / 16:9	.....33

## Electric Screens | Wall/Ceiling

<b>Most Popular</b>		
Spectrum Series	4:3 / 16:9 / 16:10	.....35
VMAX2 Series	1:1 / 4:3 / 16:9 / 16:10	.....38
<b>Premium</b>		
Home2 Series	1:1 / 4:3 / 16:9	.....43
CineTension2 Series	4:3 / 16:9 / 16:10 / 2.35:1	.....48
<b>Installers</b>		
VMAX Plus4 Series	1:1 / 4:3 / 16:9	.....54
Evanesce Series	4:3 / 16:9 / 16:10 / 2.35:1	.....57
Evanesce Tension Series	4:3 / 16:9 / 16:10 / 2.35:1	.....59
Osprey Tension Dual Series	16:9 / 2.35:1	.....61

## Electric Screens | Floor Rising

<b>DIY</b>		
Kestrel Series	4:3 / 16:9 / 2.35:1	.....63
Kestrel Tension Series	4:3 / 16:9 / 2.35:1	.....66
<b>Installers</b>		
Raptor Series	16:9	.....68
Raptor Tension Series	16:9	.....71
Raptor Module Series	16:9	.....73
Raptor Module Tension Series	16:9	.....75





# Table of Contents

## Fixed Frame Screens

<b>Most Affordable</b>	SableFrame Series	16:9	.....	77
<b>Most Popular</b>	ezFrame Series	4:3 / 16:9	.....	78
<b>Widescreen Pro</b>	Cinema235 Series	2.35:1	.....	83
<b>High Gain</b>	StarBright™ 7 Series	4:3 / 16:9 / 16:10	.....	85
<b>Installers</b>	Lunette Series	16:9 / 2.35:1	.....	87
	Elite PrimeVision Series	16:9	.....	89

## Portable Screens

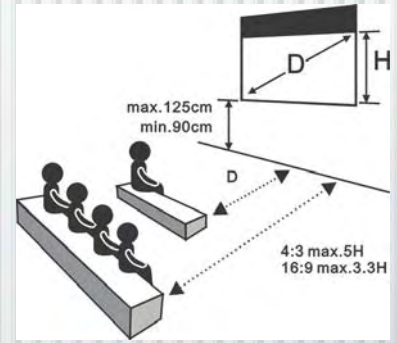
<b>Personal to Large Size Room</b>	ezCinema Series	4:3 / 16:9	.....	94
<b>Personal to Mid-Size Room</b>	ezCinema Plus Series	4:3 / 16:9	.....	98
<b>Small to Extra Large Room</b>	QuickStand Series	4:3 / 16:9	.....	101
<b>Personal to Mid-Size Room</b>	Tripod Series	1:1 / 4:3 / 16:9	.....	106
<b>Personal to Mid-Size Room</b>	Tripod Pro Series	1:1	.....	108
<b>Personal</b>	MicroFlip Series	4:3	.....	109

## Whiteboard & Pliable Screens

WhiteBoardScreen Series	4:3 / 16:9	.....	110
WhiteBoardScreen Universal Series	4:3 / 16:9 / 16:10	.....	112
Insta-DE Series	4:3 / 16:9 / 16:10	.....	114
insta-DEM Series	4:3 / 16:9 / 16:10	.....	116
Insta-RP Series	4:3 / 16:9 / 16:10 / 2.35:1	.....	118
Accessories		.....	119
Forms		.....	126
Elite Screens Product Review		.....	129
Elite Screens Press Releases		.....	161
Elite Screens Advertisements		.....	179
Elite Screens Awards		.....	187
Elite Screens Application & Showroom Pictures		.....	188
Testimonials		.....	191

# How to Select a Projection Screen

Few quick tips to help you pick the right projection screen for your application



- **\$\$\$ How much should you spend on your screen?**

We recommend spending around 15-30% of your projector cost on the type of projection screen that would be the most suitable in matching the quality-to-cost ratio with your projector.

- **What type of screen is suitable for your projection environment?**

- » **Wall/Ceiling Screen**

- Manual pull down Screens are the typical entry level product. They are simple, reliable, and affordable and present a flat projection surface.
- Fixed Frame Screens are generally for the dedicated home theater room although they do find their way into commercial installations as well. Most high-end professional installations prefer using this product line over the retractable projection surfaces. Our diagonal sizes range from 76" to 200" for a larger than life experience.
- Electric/Motorized Screens are ideal for use with a concealed projection system allowing your media room to be used for other purposes as would be seen in a conference room, classroom or family room. Our product comes fully assembled ready to plug and play with all the accessories required to operate the screen. The diagonal measurements for our electric screens range from 75" to 400" surfaces.

- » **Portable Screen**

- Tripod Screens are the most affordable portable projection screens. These are ideal for portable classroom, church congregation and large group home theater viewing.
- ezCinema Floor Pull-Up Screens use a simple telescoping support that is able to be quickly set up and taken down for any portable presentation up to 150" Diag.
- ezCinema Plus Floor Pull-Up Screens have all of the virtues of the ezCinema with the addition of one crucial element. Its unique "Scissor Back" self-standing spring support allows the end user to pull up the screen to its desired level.
- QuickStand Folding Screens are commercial grade portable fixed-frame screens that are ideal for large traveling presentations and tradeshow. Its durable lightweight design with option of rear projection material has made it a favorite in the Commercial AV Industry, Outdoor film screenings and DJ events. (Drape Kit models also available)

- » **Electric Floor Rising Screen**

- Kestrel Electric Floor Series has a stylish black piano gloss finish that makes it an attractive centerpiece for home theater and high level conference rooms where wall/ceiling installations are not practical.
- Raptor Series Electric in-cabinet projection screens are an alternative to permanent wall or ceiling installations.

- » **Whiteboard & Pliable Screen**

- WhiteBoardScreen is high 4.0 gain whiteboard screen suitable for environments with ambient lighting. The unique StarBright™ 4 material has an enhanced reflectivity for in-line presentations.
- WhiteBoardScreen Universal is a versatile solution that combines whiteboard with projection screen. It is the ultimate presentation tool for training/lecture rooms. The projection surface does not glare unlike traditional whiteboards.
- Insta-DE Screen is a self-adhesive whiteboard projection screen with dry-erase capabilities. It easily applies on a wall, window or existing standard whiteboards.
- Insta-DEM Screen has a magnetic backing for installations on metal surface or magnetic whiteboards. It has dry-erase capabilities and is also a projection screen.
- Insta-RP Screen is an optical rear projection self-adhesive screen film suitable for commercial applications and where a permanent rear projection display is needed.

- **What is the correct screen size for you?**

- » Choosing the screen's diagonal size may depend on individual preference, but it is always wise to choose a diagonal screen size that is less than or equal in measurement to the distance from your front-row seating to the projection surface.

- **What is the Right Aspect Ratio for you?**

- » 1:1 - This aspect ratio provides a perfectly squared screen format for overhead projectors (OHP) and is commonly used in Educational/Classroom environments. \* Tip: Choose this format if you are using a native SVGA/XGA Projector and occasionally use an OHP or 1:1 slide projector for your presentations
- » 4:3 - This aspect ratio is the same as a standard television (Non-High Definition) or computer (SVGA, XGA, UXGA) resolution \* Tip: Select this format screen if you are using a native SVGA, XGA or UXGA projector for your presentations
- » 16:10 - This is the most popular aspect ratio for the latest WXGA or WUXGA notebooks. \* Tip: Choose the 16:10 screen if you use a native wide screen notebook or wide XGA (UXGA) projector.
- » 16:9 - This is the High Definition Television (HDTV) format and is the most widely used aspect ratio for the latest television designs. \* Tip: Choose a 16:9 Projection Screen if you are planning to use it with a native 16:9 format projector.
- » 2.35:1 - Widescreen Cinemascope format which is perfect with the new anamorphic lenses on the market today. \* Tip: Select this 2.35:1 format screen if your application is strictly home theater Cinemascope presentations. \* Tip: 2.35:1 and 16:9 are the most popular format for Home Cinema. (Elite Screens Osprey Tension Dual is designed for this application.



# Suggested Screens for Popular Education Projectors

10 & Under  
People  
Classroom

11-20  
People  
Classroom

21-30  
People  
Classroom

Budget Wall/Ceiling Application	Most Popular Education Projector Resolution	Most Popular Projector Lumens	Popular Projector SRP*	Suggested Wall/Ceiling Models	Suggested Wall/Ceiling Models	Suggested Wall/Ceiling Models
Good	SVGA (800x600)	2000-2500	\$499-\$599	M84NWW	M100NWW1	M120XWV2
Better	XGA (1024x768)	2000-3000	\$599-\$899	M100NWW1	M120XWV2	M135XWV2
Best	WXGA (1280x800)	2000-2500	\$799-\$999	Electric106X	Electric128X	VMAX135UWH2
Portable Applications	Projector Resolution	Projector Lumens	SRP*	Suggested Pull-up Models	Suggested Pull-up Models	Suggested Pull-up Models
Good	SVGA (800x600)	2000-2200	\$499-\$599	T85UWS1	T99UWS1	T119UWS1
Better	XGA (1024x768)	2000-3000	\$599-\$899	T99UWS1	T119UWS1	T136UWS1
Best	WXGA (1280x800)	2000-2500	\$799-\$999	F84NWH	F100NWH	F120NWH
Top Education Models	Type	Screen Diag.	Screen Ratio	MSRP	Note	Top Rank for Education
M84NWW	Manual Wall/Ceiling Screen	84"	4:3	\$149	Most Affordable	1
M100NWW1	Manual Wall/Ceiling Screen	100"	4:3	\$199	Most Affordable	2
M120XWV2	Manual Wall Wall/Ceiling Screen	120"	4:3	\$249	Most Affordable Mid-Size	3
M135XWV2	Manual Wall Wall/Ceiling Screen	135"	4:3	\$279	Most Affordable Mid-Size	4
T85UWS1	Tripod Portable Screen	85"	1:1	\$139	Most Affordable for Portable	1
T99UWS1	Tripod Portable Screen	99"	1:1	\$159	Most Affordable for Portable	2
T119UWS1	Tripod Portable Screen	119"	1:1	\$239	Most Affordable for Portable Mid Size	3
T136UWS1	Tripod Portable Screen	136"	1:1	\$299	Most Affordable for Portable Large Size	4
F84NWH	Floor Pull Up Portable Screen	84"	16:9	\$349	Portable for WXGA Projector	2
F100NWH	Floor Pull Up Portable Screen	100"	16:9	\$379	Portable for WXGA Projector	3
F120NWH	Floor Pull Up Portable Screen	120"	16:9	\$589	Portable for WXGA Projector	4
Electric106X	Electric Wall/Ceiling Screen	106"	16:10	\$399	Most affordable for Mid Size	3
Electric128X	Electric Wall/Ceiling Screen	128"	16:10	\$489	Most affordable for Mid Size	4
VMAX135UWH2	Electric Wall/Ceiling Screen	135"	16:9	\$799	Most affordable for Mid Size	5

\*as of May 2009

# Screen Material Selection Guide

Screen Material	MaxWhite	MaxWhite Fiber Glass	MaxWhite Plus*	PowerGain	Wraith Veil	Wraith Veil 2
Applications	Versatile for Multiple Applications	Versatile for Multiple Applications	Versatile for Multiple Applications	Specialized Enhanced Gain Material	Rear Projection Applications	Clear Windows in Retail or office room
Material	Multi-layer Weave	Fiberglass Reinforced	Ultra-Wide Reinforced	Tension PVC	Tension PVC	Self-adhesive optical PET film
Type	White	White	White	Pearlescent	Rear Gain	Rear Gain
Screen Gain	1.1	1.1	1.1	1.8	2.2	2.2
View Angle	160° (80° ± L&R)	160° (80° ± L&R)	160° (80° ± L&R)	120° (60° ± L&R)	160° (80° ± L&R)	180° (90° ± L&R)
Mildew Resistant	•	•	•	•	•	•
Hand cleaned	•	•	•	•	•	•
<b>Wall/Ceiling Screens</b>						
Manual/Manual SRM	•					
Manual SRM Pro		•				
VMAX2	•	Δ				
VMAX Plus4			• (seamless up to 380" Diag. 16:9)			
CineTension2				•	•	
Home2		•				
SableFrame						
ezFrame					•	
Elite Primevision				•	•	
Cinema235					Δ	
Osprey Tension Dual					Δ	
Lunette						
Evanesce		•				
Evanesce Tension					Δ	
<b>Floor Rising Electric Screens</b>						
Kestrel		•				
Kestrel Tension						
Raptor		•				
Raptor Tension						
Raptor Module		•				
Raptor Tension Module						
<b>Portable Screens</b>						
Tripod / Tripod Pro	•					
ezCinema	•					
ezCinema Plus	•					
QuickStand					•	
MicroFlip						
<b>Whiteboard &amp; Pliable Screens</b>						
WhiteBoardScreen						
WhiteBoardScreen Universal						
Insta-DE Screen						
Insta-DEM Screen						
Insta-RP Screen						

Note: Most screen materials listed above are in stock for each series with the exception of a few requiring them to be custom made and may be subject to special order and delivered in 60-90 days.

Δ : Special Order delivery in 60-90 days. Visit <http://www.elitescreens.com/csr.htm> for custom size special orders



# Screen Material Selection Guide

Screen Material	CineWhite	CineGrey	AcousticPro1080	StarBright™ 4	StarBright™ 7	VersaWhite
Applications	Versatile for Multiple Applications	Home Cinema	Home Cinema with Speaker behind	Commercial/Educational	Hight or Low Ambient Light Environments	Dry-erase & Projection Screen Surface
Material	Tension PVC	Tension	Fabric	PET	PET PVC	Scratch-resistant Optical nanotech resin
Type	White	Grey	White-Sound Transparent	Ultra High Gain	Ultra High Gain	White-Dry-erase
Screen Gain	1.1	1.0	1.0	4.0	7.0	1.1
View Angle	160° (80° ± L&R)	160° (80° ± L&R)	160° (80° ± L&R)	120° (60° ± L&R)	120° (60° ± L&R)	180° (90° ± L&R)
Mildew Resistant	•	•	•	•	•	•
Hand cleaned	•	•	•	•	•	•
<b>Wall/Ceiling Screens</b>						
Manual/Manual SRM						
Manual SRM Pro						
VMAX2			•			
VMAX Plus4						
CineTension2	•	•	•			
Home2			•			
SableFrame	•					
ezFrame	•	•	•		•	
Elite Primevision	•	•	•			
Cinema235	•	•	•		Δ	
Osprey Tension Dual	•					
Lunette	•					
Evanesce						
Evanesce Tension	•					
<b>Floor Rising Electric Screens</b>						
Kestrel						
Kestrel Tension	•					
Raptor						
Raptor Tension	•					
Raptor Module						
Raptor Tension Module	•					
<b>Portable Screens</b>						
Tripod / Tripod Pro						
ezCinema						
ezCinema Plus						
QuickStand						
MicroFlip						
<b>Whiteboard &amp; Pliable Screens</b>						
WhiteBoardScreen				•		
WhiteBoardScreen Universal						•
Insta-DE Screen						•
Insta-DEM Screen						•
Insta-RP Screen						

Note: Most screen materials listed above are in stock for each series with the exception of a few requiring them to be custom made and may be subject to special order and delivered in 60-90 days.

Δ : Special Order delivery in 60-90 days. Visit <http://www.elitescreens.com/csr.htm> for custom size special orders

# Screen Material Selection Guide

A closer look at each screen material's features and benefits

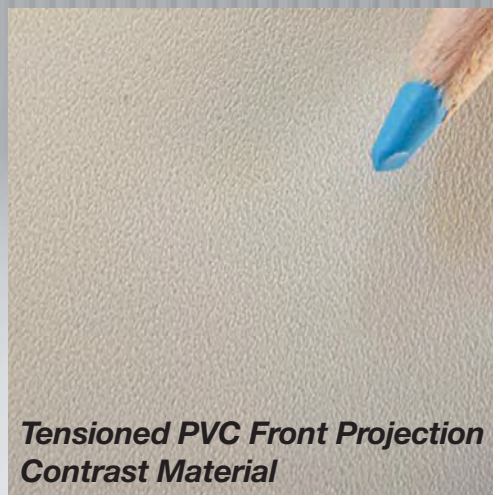


**Acoustically Transparent Woven Screen Material**

Elite's **AcousticPro1080™** material is designed for use with a native 1080P front projector. It has a special fabric weave for acoustic transparency that greatly reduces light penetration. It is a 1.0 Gain matte white mesh material with outstanding sound quality, damping at 20 KHz only 2.0dB and Max. Attenuation at 20cm is around 1.1db. The side-weave mesh pattern has only a 8% light loss, and coated fabric provides true color rendition to ensure both audio and video quality with each presentation. The Elite AcousticPro1080 Woven Acoustically Transparent Screen is your best choice for use with high quality in-wall audio installations and 1080P projectors. It has a detachable black-backing on its fixed frame models.

#### **Elite Screens Series: ezFrame, Elite PrimeVision, Home2, CineTension2, Cinema235, Lunette**

- Woven square mesh pattern with 0.25mm perforations
- Gain: 1.0
- View Angle: 160° (80° ±LR)
- Mildew Resistant
- Surface can be cleaned with moist cotton cloth (water).



**Tensioned PVC Front Projection Contrast Material**

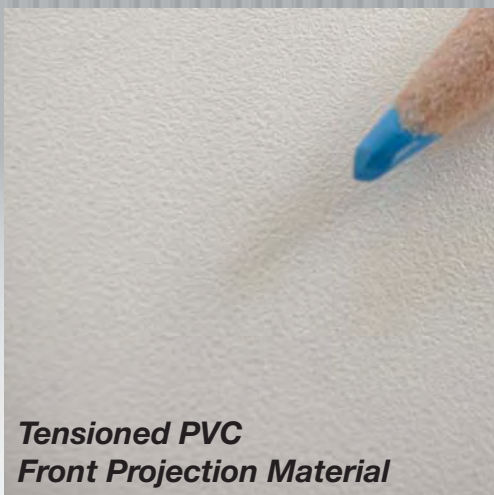
**CineGrey** (Tension High Contrast Grey) is designed for low contrast DLP and LCD Home Cinema Projectors. Its superior flatness makes the CineGrey ideal for home theater use. It enhances black levels while minimizing loss in color reproduction. Uniform diffusion surface has black-backing to eliminate light penetration and is easily washable with mild soap and water.

\*Manufacturer's tip: if your projector's contrast ratio is more than 2000:1, we recommend you use CineWhite material for a brighter picture.

#### **Elite Screens Series: ezFrame, CineTension2, Elite PrimeVision**

- Multi-Layer textured PVC with Surface Coating
- Gain: 1.0
- View Angle: 160° (80° ±LR)
- Mildew Resistant
- Black backing
- Surface can be cleaned with moist cotton cloth (water).



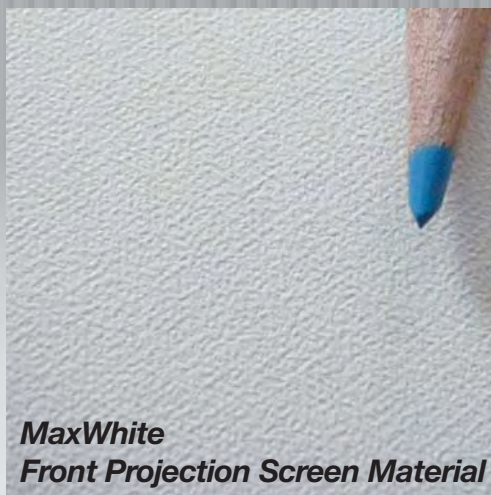


**Tensioned PVC  
Front Projection Material**

**CineWhite** (Tension White) has broad light dispersion through diffusion uniformity. It enhances black & white contrast and true color rendition making it the most versatile material in Elite's tension screen product lines. This tension PVC surface is the best choice for today's high-contrast ratio projector in commercial or residential presentations. The CineWhite matte white material equals the performance to our MaxWhite product, but improves the experience with superior surface flatness. Material has black backing to eliminate light penetration and is easily washable with mild soap and water.

**Elite Screens Series: CineTension2, ezFrame, EPV Fixed Frame, SableFrame, Evanesce Tension, Raptor Tension, Raptor Module Tension, Opsrey Tension Dual, Kestrel Tension & QuickStand**

- Multi-Layer Textured PVC with Surface Coating
- Gain: 1.1
- View Angle: 160° (80° ±LR)
- Surface can be cleaned with moist cotton cloth (water)



**MaxWhite  
Front Projection Screen Material**

**MaxWhite** Screen Material is the most versatile screen surface for front projection presentations. This material provides the widest possible viewing angles with perfect diffusion uniformity.

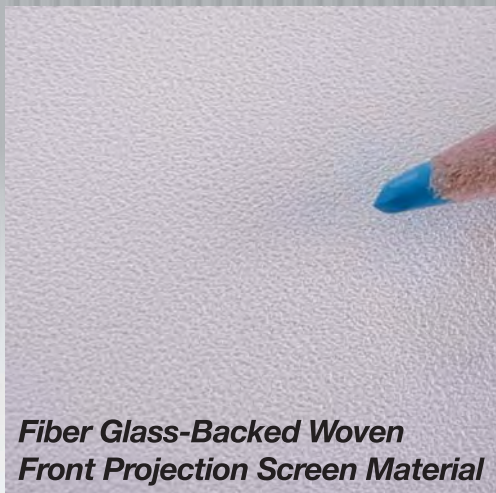
It gives precise definition, image color reproduction and black & white contrast. Screen material has black backing to prevent light penetration and can be cleaned safely with mild soap and water. Woven screen material is a, multi-layer, cross-array coated with a matte white reflective compound.

**Elite Screens Series: Manual, Tripod, Tripod Pro, VMAX2, ezCinema, ezCinema Plus, Spectrum & Manual SRM**

- Multi-Layer Weave and Textured Surface Coating
- Gain: 1.1
- View Angle: 160° (80° ±LR)
- Mildew Resistant
- Black Backing
- Screen Surface can be easily cleaned

# Screen Material Selection Guide

A closer look at each screen material's features and benefits

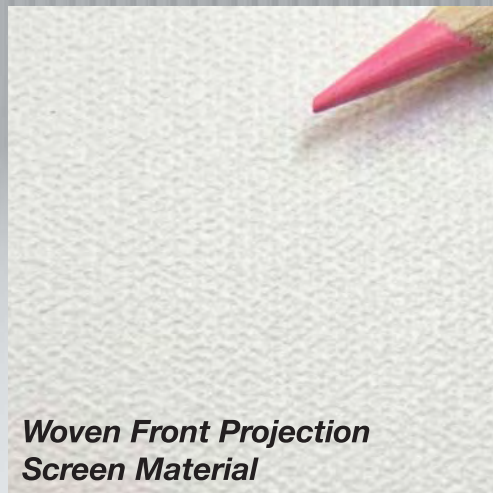


**Fiber Glass-Backed Woven Front Projection Screen Material**

**MaxWhite FG** is fiber glass backed for added stiffness which provides the flattest possible non-tensioned screen surface with universal applications. This material has uniform diffusion while giving precise definition, color reproduction and black & white contrast. The screen surface has a black-backing to eliminate light penetration. It is mildew resistant and washable with mild soap and water.\*Manufacturer Tip: This is an enhanced matte white product for higher end DLP/LCD projectors. It is suitable for commercial or residential presentations.

**Elite Screens Series: Home2, Kestrel, Raptor, Evanesce, Raptor Module & Manual SRM Pro**

- Multi-Layer Weave with black fiber glass backing
- Gain: 1.1
- View Angle: 160° (80° ±LR)
- Mildew Resistant
- Screen Surface can be easily cleaned



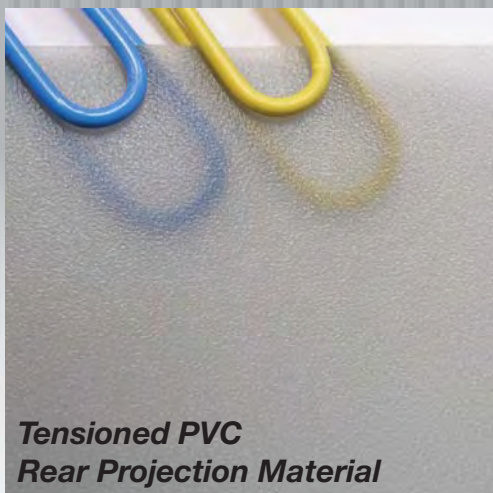
**Woven Front Projection Screen Material**

**MaxWhite Plus** Screen Material is the newest 5-meter seamless front projection material for 200"-400" commercial sized screens. Since the material is seamless, there is a total absence of piece lines that can ruin the effect of a presentation. Its diffusion uniformity, precise definition, color reproduction and black & white contrast makes it a superb large room presentation screen. Screen Surface can be cleaned safely with mild soap and water. Woven screen material is a, multi-layer, cross-array coated with matte white reflective compound and fiberglass backed for enhanced flatness.

**Elite Screens Series: VMAX Plus4**

- Multi-Layer Weave and Textured Surface Coating
- Gain: 1.1
- View Angle: 160° (80° ±LR)
- Mildew Resistant
- Black Backing
- Screen Surface can be easily cleaned



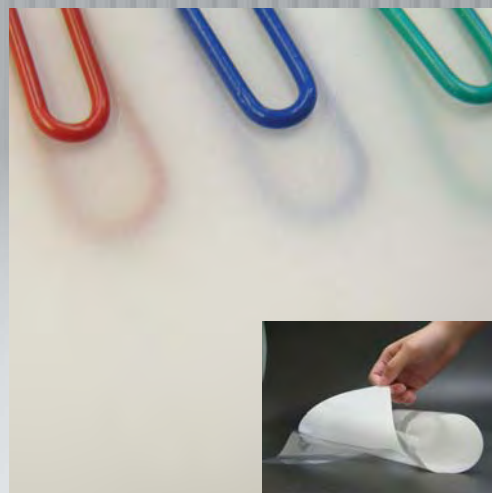


**Tensioned PVC  
Rear Projection Material**

**Wraith Veil** is our rear projection screen material. It has a high gain performance for applications with a high levels of ambient light. Its 2.2 gain configuration is ideal for events such as clubs, restaurants, tradeshow, meeting rooms, and outside evening presentations. Its special surface coating enhances color reproduction and black level contrast with wide diffusion uniformity for large audiences. Seamless screen sizes are available in sizes up to 200" in 4:3 or 16:9 aspect ratios.

**Elite Screens Series: ezFrame,  
Elite PrimeVision, QuickStand &  
CineTension2**

- Textured PVC with surface coating
- Gain: 2.2
- View Angle: 160° (80° ±LR)
- Mildew Resistant
- Screen Surface can be easily cleaned



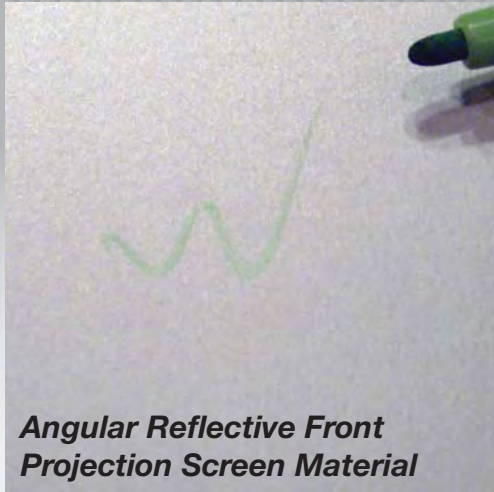
**Wraith Veil 2** is a self-adhesive optical rear projection screen material. It is applied to clear glass/Plexiglass panels for the purpose of converting them into rear projection screens. Application is simple. Clean and moisten the glass surface, remove the protective film and apply. Wraith Veil 2 material is ideal for retail store windows, hanging signage, commercial offices, restaurants and nightclubs. Its special 2.2 gain brightness is ideal for ambient light while its design enhances color reproduction and black level contrast with 180° wide uniformity. Regular sizes from 74" to 151" measurements are available now. Seamless custom orders can be up to 3000 meters long for large commercial applications.

**Elite Screens Series: Insta-RP Screen**

- Self-adhesive optical rear projection material
- Textured PET (Polyethylene terephthalate) with diffusion layer
- 2.2 gain with 180° wide diffusion uniformity
- Material is easy to clean and maintain
- Special custom sizes up to 3000 meters long available

# Screen Material Selection Guide

A closer look at each screen material's features and benefits

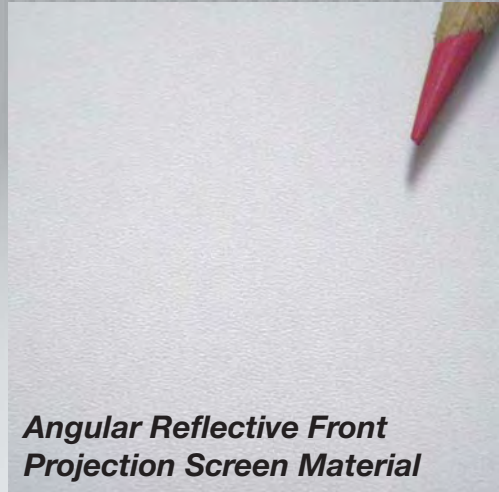


**Angular Reflective Front  
Projection Screen Material**

Elite's **StarBright™ 4** material has a unique optical coating that enhances picture clarity regardless of an ambient light presence. The Angular-Reflective surface is coated with a transparent dry-erase layer for use as a white board while enhancing true Color rendition from its highly reflective qualities. StarBright™ 4 material will enhance image brightness 4x more than the standard matte-white material. It is for use in training rooms with ambient light.

#### **Elite Screens Series: WhiteBoardScreen™**

- Multi-layered high gain projection surface with dry-erase coating
- Unique optical coating supports high uniformity with picture clarity
- Gain: 4.0
- View Angle: 120° (60° ±LR)
- Mildew Resistant
- Surface can be cleaned as Dry Erase White Board



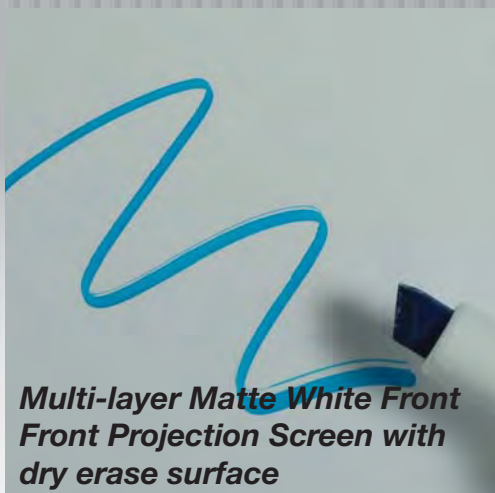
**Angular Reflective Front  
Projection Screen Material**

Elite's **StarBright™ 7** material has a Ultra High 7 Gain and was developed for home theater but is ideally suited for well lit Commercial Applications such as Houses of Worship, Stadiums, Conference and Training Rooms. The HCF (High-Contrast Filter) allows the projected image to be reflected while absorbing the incident light. Special surface coating reduces hot spotting and enhances the video color balance. Its Angular Reflective multi-layered configuration focuses the light into a concentrated but reasonably wide half-gain cone that is ideal for use in a tough ambient light presence.

#### **Elite Screens Series: ezFrame, MicroFlip**

- PET (Polyethylene terephthalate) optical film material with special coating supports high uniformity and picture clarity
- Gain: 7.0
- View Angle: 120° (60° ±LR)
- Mildew Resistant
- Surface can be cleaned with mild soap and water



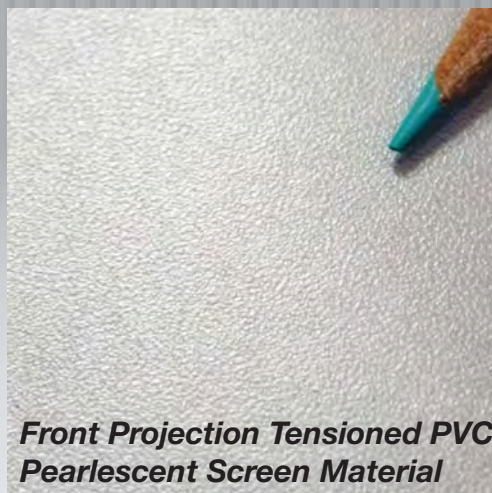


**Multi-layer Matte White Front  
Front Projection Screen with  
dry erase surface**

Elite's **VersaWhite** material performs as versatile as a Matte White screen material with the addition of being a dry-erase surface as well. The surface is coated with a transparent dry-erase layer for use as a whiteboard while keeping uniform diffusion and enhancing true color rendition. Ideal for short throw projectors.

**Elite Screens Series:  
WhiteBoardScreen™ Universal, Insta-DE,  
Insta-DEM**

- Unique optical coating with high uniformity, picture clarity and dry-erase capability
- Gain: 1.1
- View Angle: 180° (90° ±LR)
- Mildew Resistant
- Surface can be cleaned as Dry Erase White Board



**Front Projection Tensioned PVC  
Pearlescent Screen Material**

Elite's **PowerGain** is perfect for environments where total ambient light control cannot be attained. This is an angular reflective material that provides crisp color reproduction, black & white contrast and resists hot spotting in the presence of ambient light. The textured pearlescent material has a black backing to avoid light penetration and is safely washable with mild soap and water. \*Manufacturer's tip: Use a high resolution-low output DLP projector for the best results with this material.

**Elite Screens Series: CineTension 2, Elite  
PrimeVision, SilverFrame**

- Multi-Layer PVC with textured surface coating
- Gain: 1.8
- View Angle: 120° (60° ±LR)
- Mildew Resistant
- Black Backing
- Screen Surface can be easily cleaned

# Top Selling Elite Screens

We have created a top screens list by application to help you choose the right screen

## Most Popular Screens

- 80" Manual Pull Down Screen - 4:3 Format - M80NWW
- 100" Manual Pull Down Screen - 16:9 Format - M100UWH
- 84" Electric Screen 4:3 Format - Electric84V
- 125" Electric Screen 16:9 Format - Electric125H
- 106" ezFrame Screen 16:9 Format - R106WH1
- 85" Tripod Portable Screen 1:1 format- T85UWS1

## Stadium / Large Conference Room

- Wall/Ceiling Electric Screen - VMAX400XWV Plus4 (400" Diag. 4:3 Format, 240"x320" IR/RF Remotes, 12V Trigger)
- Wall/Ceiling Electric Screen - VMAX235UWS PLUS3 (235" Diag. 1:1 Format, 166"x166" IR/RF Remotes, 12V Trigger)
- Wall/Ceiling Electric Screen - VMAX200XWV PLUS3 (200" Diag. 4:3 Format, 120"x160" IR/RF Remotes, 12V Trigger)
- Quickstand Folding Screen - Q200VD (200" Diag, 4:3 Format Commercial Portable Screen w/ Drape Kit)
- Portable Screen - F150NWW (150" Diag. 4:3 Format Portable Floor Pull Up Screen)

## Education

- Manual Screen - M84NWW (84" 4:3 - Small Size Classroom)
- Manual Screen - M100NWW1 (100" 4:3 - Mid-Size Classroom)
- Tripod Pull Up Portable - T85UWS1 (60"x60" - Portable Training)
- Tripod Pull Up Portable - T119UWS1 (84"x84" - Portable Training)
- Electric Screen - Electric100V (100" 60"x80", 4:3 - Mid-Size Room)
- Electric Screen - VMAX170XWS2 (120"x120" - Large Conference)
- WhiteBoardScreen Universal - WB87XW (Mid-Size classroom)

## Home Cinema

- Premium Electric Screen - TE100HW2 (100" Diag, 16:9 Format, IR/RF Remotes, Tab-Tension Electric )
- Premium Fixed Frame Screen - R100WH1 (100" Diag., Velvet Trim Fixed Frame, 16:9 Format)
- Multi-Application Electric Screen - VMAX100UWH2 (100" Diag. VMAX Electric 16:9, IR/RF Remotes, 12V Trigger)
- Economy Line Electric Screen - Electric125H (125" Diag. Electric 16:9, w / IR Remote & 12V Trigger)

## Home Cinema (Continue)

- Manual Pull Down Screen - M100UWH (100" Diag. Manual Screen 16:9 Format)
- Portable Indoor/Outdoor Movie Screen - F80NWH (80" Diag. Ez Cinema Floor Pull Up Screen 16:9)
- Lunette Curved Fixed Frame Screen - Curve103W (Small to mid-size rooms)
- Dual aspect ratio premium electric screen - DTE110C88H (2.35:1 / 16:9 all in-one screen)

## Portable Application

- Tripod Pull Up Portable - T85UWS1 (60"x60" Budget Portable)
- Tripod Pull Up Portable - T113UWS1 (80"x80" Mid-Size Portable)
- Tripod Pull Up Portable - T136UWS1 (136"x136" Large-Size Portable)
- Premium Floor Pull Up - F60NWW (60" 4:3 Floor Pull Up - Personal)
- Premium Floor Pull Up - F150NWW (150" 4:3 Large-Size Portable)

## Church

- Wall/Ceiling Electric Screen - VMAX235XWV PLUS4 (235" Diag. 4:3 Format 140"x187", IR & RF Remotes, 12V trigger)
- Wall/Ceiling Electric Screen - VMAX180XWV PLUS2 (180" Diag. 4:3 Format 108"x144", IR & RF Remotes, 12V trigger)
- Wall/Ceiling Electric Screen - VMAX153XWS2 (153" Diag. 1:1 Format 108"x108", IR & RF Remotes, 12V Trigger)
- Wall Permanent Fixed Frame Screen - R180WW1 (180" Diag. 4:3 Format Velt Trim Fixed Frame Screen)
- Portable Screen - F150NWW (150" Diag. 4:3 Format Portable Floor Pull Up Screen)
- StarBright™ 7 Frame - R182GV-G7 (High Gain 7.0 projection screen)

## Office

- Premium Tab-Tension Electric Screen - TE100VW2 (100" Diag. Tension Electric 4:3 IR/RF, Trigger)
- Premium Electric Screen - HOME100IWW2 (100" 4:3 Electric Screen, IR/RF, Trigger)
- All Applications Electric Screen - VMAX100UWV2 (100" Diag. VMAX2 Electric 4:3, IR/RF/12V Trigger)
- Electric Screen - VMAX113XWS2 (113" 80"x80" Electric Screen w/ IR/RF Remotes)
- Manual Pull Down Screen - M100NWW1 (100" Diag. Manual Pull Down Screen 4:3 Format)



# Frequently Asked Questions

**FAQ: What would be a good screen for my home theater room if I was planning on using it for regular television and not just movies?**

Elite Screens: Although the sky's the limit when it comes to getting a home theater projector, there are 3 basic qualities that define the typical mainstream consumer product.

1. Price point is at or below \$4000 (U.S.D. as of Feb 15 2008)
2. Your Projector Contrast Ratio is higher than 2500:1
3. Your Projector has a 16:9 (HDTV) Native Aspect Ratio

Matte white is the most widely used material because of its superior versatility and it is recommended over high gain or contrast grey surfaces. It has wide diffusion uniformity for maximum visibility and will get satisfactory results with virtually any front projection array. It is recommended over high gain material because high gain concentrates the diffusion into a narrow viewing cone with sharp color enhancement which is great for a dedicated home theater environment but not preferred for a multi-purpose room due to its limited visibility angle. Contrast Grey material enhances black level contrast for older DLP and entry level LCD projectors but also does this at the expense of diminished light return which means it should be used only with high output projectors.

Front projection should generally be used in a setting with controlled lighting or no ambient light at all.

- \* MaxWhite: Standard matte white weave material
- \* MaxWhite FG: Matte white weave material with fiber glass backing for enhanced rigidity
- \* CineWhite PVC tension reinforced variant of matte white
- \* AcousticPro1080™ Acoustically transparent matte white weave material
- \* VersaWhite has dry-erase capabilities as well as serving its purpose as a matte white front projection surface

Elite Screens Suggests the following Screen Types

1. Wall / Ceiling / In-Ceiling - (Manual and Electric)
  - \* See: VMAX2, CineTension2, HOME2, Spectrum, Evanesce or Manual Series
2. Wall Only ( For dedicated home theater) - Fixed Frame
  - \* See: SableFrame, ezFrame or Elite PrimeVision Fixed Frame
3. Outdoor, portable business or recreational presentations (Floor Pull up or folding fixed frame screens.)
  - \* See: QuickStand, ezCinema, ezCinema Plus and MicroFlip
4. Indoor electric floor rising
  - \* See: Kestrel, Kestrel Tension, Raptor, Raptor Tension, Raptor Module & Raptor Module Tension
5. Whiteboard projection screens
  - \* See: WhiteBoardScreen, WhiteBoardScreen Universal, Insta-DE Screen & Insta-DEM Screen

**FAQ: Which screen material should I purchase for my projector?**

## Screen Material Quick Glance

	Full Light (Public Area with Ambient Light)	Ambient Light Room	Control Light Room	Complete Dark Room	Speaker System Behind Screen
Projector with High Contrast Ratio (2,000:1 & Higher)	StarBright™ 4 StarBright™ 7	CineWhite MaxWhite (Fiber Glass) PowerGain	CineWhite MaxWhite (Fiber Glass) PowerGain	CineWhite MaxWhite (Fiber Glass)	AcousticPro1080
Projector with Low Contrast Ratio (Below 2,000:1)	StarBright™ 4 StarBright™ 7	PowerGain	CineGrey	CineGrey	AcousticPro1080

# Frequently Asked Questions

## **FAQ: What size of screen should I pick for my room?**

Elite Screens: The best way to do it is to make sure that the screen's diagonal size matches the distance to your first row of seating. There is no set standard size for a room, just consider the seating location of you and your guests. Your material should allow everyone to comfortably sit and watch without craning their necks back or shifting their eyes from side to side. Generally, 84" to 106" are appropriate for your typical residential setup.

## **FAQ: I just got a good deal on a new SVGA Projector with a contrast ratio 2500:1. It gets good quality in a 100" image on a white wall so I am planning to get a screen without spending too much. What should I buy?**

Elite Screens: Many people are using SVGA Projectors for videos and gaming with good results. Here are some ideas for selecting your Projection Screen.

**Step 1:** Choose a screen that is somewhere between the \$100 to \$400 price point (excluding size factors). As a rule of thumb, try to keep the cost of your screen to about 30% of projector cost for the sake of proportional spending.

**Step 2:** Choose a 4:3 or 16:9 format screen, depending on how much time you will be involved with TV, gaming or movies that have various formats from, 4:3, 16:9, 1.85:1 and 2.35:1...etc.

**Step 3:** MaxWhite or CineWhite is the best choice for you. But you may also consider high contrast grey material to improve your black levels if you are watching presentations with an SVGA projector with a low contrast ratio at about 2000:1 with a high output that exceeds 1500 lumens. Contrast Grey is used to improve black levels but the diminished light return should always be considered.

## **FAQ: Should I get 1:1, 4:3, 16:9, 16:10 or 2.35:1 format?**

Elite Screens: It depends entirely what your intentions are but here are the general format uses to help you out.

- 1) 1:1 format: if you are still using a traditional Slideshow/OHP (Overhead Projector) and commercial projector presentations. These are most commonly used in schools and houses of worship.
- 2) 4:3 / NTSC format: PC software, Commercial Presentation (if your projector is SVGA or XGA resolution format), Classroom training and gaming.
- 3) 16:9 / HDTV format: Home theater movies and gaming.
- 4) 16:10 format: PC software, video games, video editing, presentations from notebook computers with WXGA or WUXGA native output.
- 5) 2.35:1 / Cinemascope format: Strictly Home Theater movies.

## **FAQ: Why are Elite Screens product prices so much lower than its competitors?**

Just a few years ago, the projectors that now sell in the \$1,500-\$5,000 range were selling for around \$8000 and up. Improvements in technology, manufacturing and brand competition caused a significant drop in market prices creating an entirely new market where the general consumer could now enjoy something that was previously available only to those with top-tier incomes. The established screen makers focused on custom orders made to the specifications of each individual's projector. Current improvements in projector screen design made standardized materials, sizes and aspect ratios for the retail consumer a reality.

Instead of custom manufacture, we focus on the mainstream demand in material while making screens in only the most commonly requested sizes and formats. As a result, we carry a large stock that is ready for immediate shipment. This saves exponentially on our manufacturing costs so that the consumer enjoys a lower price. Custom orders tend to be impracticably priced for the new low costs of projectors and although high dollar screens show impressive performance levels in their scientific data, anything in the light spectrum that registers above or below 400 to 700nm will be undetectable to the human eye's visible spectrum anyway.

Continue on page 14



Continued from page 13

It is because of this uniformity that we can achieve a high level of quality in our construction while including normally optional features such as 5-12 Volt triggers, full IR & RF control packages, installation kits and twice the industry standard warranty with our screens.

## INSTALLATION:

### Which is better for my retractable screen casing, Aluminum or Steel?

\* Aluminum casings or "cans" are resilient to moisture and are generally used with higher quality screens. They also have a sliding track for the hanging brackets to allow versatility with your installation. Steel casings have a more simplified design with fixed end cap attachments. They provide excellent protection to your screen material but are geared for functionality without excessive spending.

### What are the differences between a Synchronous and a Tubular Motor?

\* Tubular motors run faster and have a greater lift capacity. Synchronous motors are slower but are also quieter and more energy efficient. Since synchronous motors are smaller, they also have less torque, so we only use them in our smaller standard priced models only.

### Should I use a standard Top Masking or an Extra Drop Masking Border?

\* It depends on how high you want to hang the screen. If you are planning on a high ceiling or in-ceiling installation, use a product with an extra black masking border like E24 (24" drop) or E30 (30" drop) model. Aside from that, our general product lines will accommodate your typical home or commercial presentation room ceiling heights. All of our manual and electric screens are suitable for wall or ceiling installations. All of our electric wall/ceiling screens have adjustable vertical limit switches to help you achieve the perfect setting.

### Is it important to have masking on my screen?

\* Yes, it is important. Black Masking border is to absorb light overshoot from your projector and provide a professionally matted presentation with a higher contrast ratio.

## CONTROL SYSTEM

### What is an Infrared (IR) Remote? What is the benefit?

\* Infrared functions the same way a TV remote does using a light beam for line of sight control. Your typical IR remote should have a range of about 30 feet. For total control, we offer an optional Universal Learning Remote (ZR800D) to operate your screen in addition to 8 other media devices simultaneously via its Macro function. (This is a standard accessory with Home3 and CineTension3 custom installer packages)

### What is Radio Frequency (RF) and why would I need this?

\* The RF remote operates in the same manner as an automatic garage door opener does. Because it uses radio waves instead of light, it does not require a direct line of sight to the control box and has a 150 foot range. Unlike the IR, it can also be used to control multiple screens simultaneously. These are popular for use in larger room environments such as educational, congregational or commercial presentations.

# Frequently Asked Questions

## **What is a 5-12V Trigger from Elite Screens?**

\* Most mid-high end projectors have a trigger port (5-12Volt port on the rear panel of the projector). This enables your screen's drop/rise cycle to function in perfect synchronization with your projector's power cycle. We have both a direct wire and RF wireless version of this device. As of Feb 2008, most Screen manufacturers have this function as an external box for an extra charge. We include it.

## **What is the Wireless 5-12V trigger from Elite Screens? How does it work?**

\* The wireless 5-12V trigger device synchronizes the projection screen's drop/rise function with the projector's power cycle by means of an RF wireless control instead of a hardwire connection. The wireless unit is attached to the projector's 5-12 volt port and transmits the RF drop/rise command to the screen once the projector is switched on or off.

## **What is an in-line 3-way wall switch?**

\* An In-Line 3-way wall switch is wired directly to the screen through an RJ45 port and controls the up, down & stop functions directly. This is a very common item but our screen's internal IR & RF receivers make this a supplemental item that is not necessary for operation.

## **What is an In-wall switch?**

\* An In-wall switch allows Up and Down control of all compatible Elite electric screens. It permanently installs on your wall and connects to your screen with an RJ-45 Ethernet cable.

## **What is Low Voltage Regulator and why is it important?**

\* Most electric screens function off of a 110-230Voltage and/or 5-12 DC Voltage power source. With a built in low voltage regulator, you can save power and separate your DC voltage control system from your Motor operation. This allows you to have more power for your controls from external devices such as an extended 5-12V trigger or an extended IR receiver from anywhere in the room. It also helps make control options such as a Universal Learning Remote operate reliably. These are optional items with other manufacturers that we include in the package.

## **SCREEN MATERIAL AND FRAME/CASE**

### **Is it important to have Velvet surfacing on a Fixed Frame Screen?**

\* Black velvet does two main functions.

1. It absorbs the light bleed so that it does not reflect back into the audience's eyes.
2. It has an aesthetic appeal that provides the professional touch to your home theater array.

Some makers charge extra for this but it is part of the package with our ezFrame and Elite PrimeVision DreamWindow products.



### **What are the advantages to having a Fixed Frame Screen with Frame width of 2.36 "or 3.5"?**

\* The greater width has an advantage by providing more marginal space for light overshoot. Wider frames usually cost more but generally enhance the aesthetic appearance of your media room.

### **What is the advantage of black backing on the screen?**

\* Black Backing is an important feature that prevents light penetration and increases reflectivity for sharper color reproduction. With the exception of our AcousticPro1080 material, all Elite front projection screens are black backed.

### **What is the difference between Tensioned and Non-Tensioned Screen Material?**

\* Tension material provides a flatter screen surface and for better uniformity and even light distribution without waving or curving on the projection surface. These problems could be caused by temperature variations in multiple layer materials. Newer non-tensioned materials such as our MaxWhite or MaxWhite FG have greatly reduced occurrences of this flaw to the point of arguably matching its flatness in some cases. Some prefer non-tensioned due to aesthetics but tension still generally has superior flatness.

### **How many Aspect Ratios are out there?**




There are quite a few. Here are the most common.

- \* 1:1, format is popular with schools, churches, lecture forums or other locations that use overhead projectors. The image is a perfect square.
- \* 4:3, SVGA entry level projectors , 800x600 is a 4:3 ratio. XGA 1024x768 is also a 4:3 format too. Most TV channels are in this format also. Also known as SDTV (standard Definition television at 480 interlaced lines). The mainstream format for commercial projectors
- \* 16:9, HDTV format. The most common "widescreen" format worldwide. This accommodates most of the home media room presentations. The mainstream format for home theater projectors
- \* 16:10, is a new popular aspect ratio used in the latest notebook computers with native resolutions typically in WXGA(+), WSXGA(+), and WUXGA.
- \* 1.85:1, Another widescreen cinema format second to 2.35:1 ratio in theater presentations.
- \* 2.35:1, also known as Cinemascope. This is the most popular viewing format in modern theaters Anamorphic lenses exist to convert a 16:9 projector into this format.
- \* 2.4:1, A rare format variant that is slightly wider than CinemaScope

### **What is the most popular Aspect Ratio today?**


- \* For home theater and gaming: 16:9. (Anamorphic lenses are available for 2.35:1 conversion).
- \* Presentation and classroom training: 4:3 or 1:1 format ( if you are using PC software or Overhead slide projectors)

# Manual Screens Comparison Table




	Manual	Manual SRM	Manual SRM Pro
Product Picture			
Available Aspect Ratio	1:1 / 4:3 / 16:9 / 16:10	1:1 / 4:3	4:3 / 16:9
Suggested Applications	Training Facilities, Entry Level Home Theater	Training Facilities, Boardrooms, Classrooms	Training Facilities, Home Theater, Boardrooms, Classrooms
Screen Diag. Available Size	71"-170"	85"-120"	84"-120"
Available Screen Material	MaxWhite (matte white)	MaxWhite (matte white)	MaxWhite FG (matte white w/ fiber glass backing)
Viewing Angle	160°	160°	160°
Gain	1.1	1.1	1.1
Adjustable Height Settings	Yes	Yes	Yes
Black Back Screen Material	Yes	Yes	Yes
Screen Material Easy to clean	Yes	Yes	Yes
Screen Case (Housing) color	White or Black (Steel)	White (Steel)	Pearlescent White (Aluminum)
Dual Wall/Ceiling Design	Yes	Yes	Yes
Case (Housing) shape	Octagonal	Octagonal	Squared
Installation Method	Flush Wall, Ceiling Recessed	Flush Wall, Ceiling Recessed	Flush Wall, Ceiling Recessed
Mount location on Screen's case	Keyholes on end cap for both flush wall mount or ceiling recessed	Keyholes on end cap for both flush wall mount or ceiling recessed	Keyholes on end cap for both flush wall mount or ceiling recessed
Slow Retract Mechanism	No	Yes	Yes
Lanyard included	Yes	Yes	Yes
Optional Installation Accessories	6", 12" and 18" Extended L-Brackets	6", 12" and 18" Extended L-Brackets	6", 12" and 18" Extended L-Brackets
Warranty	2-Year Parts & Labor	2-Year Parts & Labor	2-Year Parts & Labor
3-Year GEMR (Government, Education, Military, Religious) Warranty	Yes	Yes	Yes



# Electric Wall/Ceiling Screens Comparison Table





Series	Spectrum	VMAX2	VMAX Plus3//4	Home2
Product Picture				
Suggested Applications	Home Theater, Training, classroom, Business presentations	Home Theater, Training, classroom, Business presentations	Large Venue Rooms	Premium Grade Electric Screen for ProAV, Home Theater, Boardrooms, Conference Rooms
Screen Diag. Available Size	84"-128"	84"-170"	180"-400"	75"-200"
Screen Available	4:3 / 16:9 / 16:10	1:1 / 4:3 / 16:9 / 16:10	1:1 / 4:3 / 16:9	1:1 / 4:3 / 16:9
Screen Material (Gain)	MaxWhite (1.1)	MaxWhite (1.1)	MaxWhite (1.1)	MaxWhite FG (1.1) AcousticPro1080™ (1.0)
Wide Diffusion Uniformity	Yes	Yes	Yes	Yes
Easy to Clean Material	Yes	Yes	Yes	Yes
Viewing Angle	160°	160°	160°	160°
Case Material	Steel	Steel	Steel	Aluminum
Casing/Frame Description	White or Black (Steel)	White or Black (Steel)	White or Black (Steel)	White Lacquered Aluminum with black end caps
Wall/Ceiling Mountable	Yes	Yes	Yes	Yes
Installation Method	Fixed mount for Wall, Ceiling & Recessed Installations	Fixed mount for Wall, Ceiling & Recessed Installations	Fixed mount for Ceiling Installations	Slideable Mount for Adjustable Wall, Ceiling & Recessed Installations
Mounting Position	Mount at Screen Side End Cap	Mount at Screen Side End Cap	Built-in Ceiling mount brackets	Slideable Mount Brackets or Flush Mount from End Cap
Compatible w/ Learning IR Remote Control	Yes	Yes	Yes	Yes
Remotes and Controls	IR, 3-way wall Switch	IR, RF, 3-way wall Switch, 12v trigger cable, extended IR receiver sensor	IR, RF, 3-way wall Switch, 12v trigger cable, extended IR receiver sensor	IR, RF, 3-way wall Switch, 12v trigger cable, extended IR receiver sensor
Elite ZR800D Universal Learning Remote	Optional	Optional	Optional	Optional
Detachable 3-Way Wall Switch	Yes (Low Voltage w/RJ45 Connector)	Yes (Low Voltage w/RJ45 Connector)	Yes (Low Voltage w/RJ45 Connector)	Yes (Low Voltage w/RJ45 Connector)
Motor Type	Synchronous	Synchronous	Tubular	Tubular
Motor Feature	Smooth Quiet Up/Down Operation	Smooth Quiet Up/Down Operation	Fast Up/Down Operation	Fast Up/Down Operation
Vertical Position Adjustment	Yes	Yes	Yes	Yes
Extra Top Drop Models Available	No	Yes	No	Yes
Optional Installation Features Available	In-Ceiling Trim Kit, 6"/12"/18" extension L-Brackets, Wireless trigger, In-Wall up/down switch	In-Ceiling Trim Kit, 6"/12"/18" extension L-Brackets, Wireless trigger, In-Wall up/down switch	Wireless trigger, In-Wall up/down Switch	In-Ceiling Trim Kit, 6"/12"/18" extension L-Brackets, Wireless trigger, In-Wall up/down switch
Warranty	2-Year Parts & Labor	2-Year Parts & Labor	2-Year Parts & Labor	2-Year Parts & Labor
3-Year GEMR (Government, Education, Military, Religious) Warranty	Yes	Yes	Yes	Yes

# Electric Wall/Ceiling Screens Comparison Table



Series	CineTension2	Osprey Tension Dual	Evanesce	Evanesce Tension
Product Picture				
Suggested Applications	Premium Grade Tension Reinforced Electric Screen	Premium Grade Dual Format Electric Screen for alternating 16:9 and 2.35:1 Dual Mode Anamorphic Projectors	Non-dedicated media rooms, concealed projection system installations	Non-dedicated media rooms, concealed projection system installations
Screen Diag. Available Size	84"-150"	78"-106" (16:9) 97"-133" (2.35:1)	90"-134"	84"-139"
Screen Available	4:3 / 16:9 / 16:10 / 2.35:1	16:9 / 2.35:1	4:3 / 16:9 / 16:10 / 2.35:1	4:3 / 16:9 / 16:10 / 2.35:1
Screen Material (Gain)	CineWhite (1.1), CineGrey (1.1) PowerGain (1.8), AcousticPro1080™ (1.0), WraithVeil (2.2)	CineWhite (1.1)	MaxWhite FG (1.1)	CineWhite (1.1)
Wide Diffusion Uniformity	Yes	Yes	Yes	Yes
Easy to Clean Material	Yes	Yes	Yes	Yes
Viewing Angle	160°	160°	160°	160°
Case Material	Aluminum	Aluminum	Aluminum	Aluminum
Casing/Frame Description	Black Lacquered Aluminum	Black Lacquered Aluminum	White squared box housing	White squared box housing
Wall/Ceiling Mountable	Yes	Yes	In-Ceiling only	In-Ceiling only
Installation Method	Sliding mount for Adjustable Wall, Ceiling & Recessed Installations	Sliding mount for Adjustable Wall or Ceiling	In-Ceiling	In-Ceiling
Mounting Position	Slideable Mount Brackets or Flush Mount from End Cap	Slideable Mount Brackets	Brackets on top of housing	Brackets on top of housing
Compatible w/ Learning IR Remote Control	Yes	Yes	Yes	Yes
Remotes and Controls	IR, RF, 3-way wall Switch, 12v trigger cable, extended IR receiver sensor	IR, RF, 3-way wall Switch, 12v trigger cable, extended IR receiver sensor	IR, RF, 3-way wall Switch, extended IR receiver sensor, 12v trigger cable, up/down RJ45 module	IR, RF, 3-way wall Switch, extended IR receiver sensor, 12v trigger cable, up/down RJ45 module
Elite ZR800D Universal Learning Remote	Optional	Optional	Optional	Optional
Detachable 3-Way Wall Switch	Yes (Low Voltage w/RJ45 Connector)	Yes (Low Voltage w/RJ45 Connector)	Yes (Low Voltage w/RJ45 Connector)	Yes (Low Voltage w/RJ45 Connector)
Motor Type	Tubular	Tubular (Dual)	Tubular	Tubular
Motor Feature	Fast Up/Down Operation	Fast Up/Down Operation	Fast Up/Down Operation	Fast Up/Down Operation
Vertical Position Adjustment	Yes	Yes	Yes	Yes
Extra Top Drop Models Available	Yes	Yes	Yes	Yes
Optional Installation Features Available	In-Ceiling Trim Kit, 6"/12"/18" extension L-Brackets, Wireless trigger, In-Wall up/down switch	In-Ceiling Trim Kit	In-Ceiling Trim Kit, 6"/12"/18" extension L-Brackets, Wireless trigger, In-Wall up/down switch	In-Ceiling Trim Kit, 6"/12"/18" extension L-Brackets, Wireless trigger, In-Wall up/down switch
Warranty	2-Year Parts & Labor	2-Year Parts & Labor	2-Year Parts & Labor	2-Year Parts & Labor
3-Year GEMR (Government, Education, Military, Religious) Warranty	Yes	Yes	Yes	Yes



# Electric Floor Rising Screens Comparison Table





Series	Kestrel	Kestrel Tension	Raptor	Raptor Tension
Product Picture				
Suggested Applications	Home Theater, Conference Room, Boardroom	Home Theater, Conference Room, Boardroom	Non-dedicated Home Theater rooms, Family Rooms, Conference Rooms, Boardrooms	Non-dedicated Home Theater rooms, Family Rooms, Conference Rooms, Boardrooms
Screen Materials Available (Gain)	MaxWhite FG (1.1)	CineWhite (1.1)	MaxWhite FG (1.1)	CineWhite (1.1)
Screen Diag. Available Size	72" - 115"	84" - 115"	84" - 92"	84" - 88"
Screen Available Aspect Ratio	4:3 / 16:9 / 2.35:1	4:3 / 16:9 / 2.35:1	16:9	16:9
Wide Diffusion Uniformity	Yes	Yes	Yes	Yes
Viewing Angle	160°	160°	160°	160°
Easy to Clean Screen Material	Yes	Yes	Yes	Yes
4 Side Black Masking Border	Yes	Yes	Yes	Yes
Assembly Required	No	No	Yes, Only media stand cabinet	Yes, Only media stand cabinet
Casing / Cabinet Description	Aluminum with Black Piano Gloss Finish	Aluminum with Black Piano Gloss Finish	Cherry Wood or Unfinished	Cherry Wood or Unfinished
Remote Controls	IR and RF	IR and RF	IR and RF	IR and RF
AMX, Crestron Certified	Yes	Yes	Yes	Yes
3-Way Switch Included	Yes	Yes	Yes	Yes
Compatible with IR Learning Control Systems	Yes	Yes	Yes	Yes
Lid Drop Safety Sensor Feature	Yes	Yes	Yes	Yes
Motor Type	Tubular	Tubular	Tubular	Tubular
Motor Feature	Fast Up/Down Operation	Fast Up/Down Operation	Fast Up/Down Operation	Fast Up/Down Operation
Warranty	2-Year Parts & Labor	2-Year Parts & Labor	2-Year Parts & Labor	2-Year Parts & Labor
3-Year GEMR (Government, Education, Military, Religious) Warranty	Yes	Yes	Yes	Yes

# Electric Floor Rising Screens Comparison Table



Series	Raptor Module	Raptor Module Tension
Product Picture		
Suggested Applications	Custom media stand projects for Non-dedicated Home Theater Rooms, Conference Rooms, Boardrooms, Family rooms	Custom media stand projects for Non-dedicated Home Theater Rooms, Conference Rooms, Boardrooms, Family rooms
Screen Materials Available (Gain)	MaxWhite FG (1.1)	CineWhite FG (1.1)
Screen Diag. Available Size	84" - 92"	78" - 92"
Screen Available Aspect Ratio	16:9	16:9
Wide Diffusion Uniformity	Yes	Yes
Viewing Angle	160°	160°
Easy to Clean Screen Material	Yes	Yes
4 Side Black Masking Border	Yes	Yes
Assembly Required	No	No
Casing / Cabinet Description	Cherry Wood or Unfinished	Cherry Wood or Unfinished
Remote Controls	IR and RF	IR and RF
AMX, Crestron Certified	Yes	Yes
3-Way Switch Included	Yes	Yes
Compatible with IR Learning Control Systems	Yes	Yes
Lid Drop Safety Sensor Feature	Yes	Yes
Motor Type	Tubular	Tubular
Motor Feature	Fast Up/Down Operation	Fast Up/Down Operation
Warranty	2-Year Parts & Labor	2-Year Parts & Labor
3-Year GEMR (Government, Education, Military, Religious) Warranty	Yes	Yes



# Fixed Frame Screens Comparison Table





Series	SableFrame	ezFrame	StarBright™ 7	Elite PrimeVision
Product Picture				
Suggested Applications	Home Theater	Home Theater, Boardrooms, Conference Rooms	Well Lit Public Area, Home Theatre with Ambient Lighting	Custom Home Cinema, Boardroom, Conference Room
Screen Diag. Available Size	92"-120"	84"-200"	76"-206"	84"-200"
Screen Available Aspect Ratio	16:9	4:3 / 16:9	4:3 / 16:9 16:10 / 2.35:1	16:9
Available Screen Material (Gain)	CineWhite (1.1)	CineWhite (1.1), CineGrey (1.0), AcousticPro1080™ (1.0) WraithVeil (2.2)	StarBright™ 7 (7.0) for Well Lit applications	CineWhite (1.1), CineGrey (1.0), PowerGain (1.8), AcousticPro1080™ (1.0)
Optional Screen Material	CineGrey (1.0), WraithVeil (2.2) AcousticPro1080™ (1.0)	N/A	N/A	WraithVeil Rear Projection Screen (2.2)
Black Back Screen Material	Yes	Yes	No	Yes
Frame	Black velvet surfaced 2.36" Aluminum Contour Frame with Crown mould edge	Black velvet surfaced 2.36" Aluminum Frame	Black velvet surfaced 2.36" Aluminum Frame	Black velvet surfaced 3.5" Aluminum Frame
Installation Method	Sliding Mount for Adjustable Wall Installations	Sliding Mount for Adjustable Wall Installations	Sliding Mount for Adjustable Wall Installations	Sliding Mount for Adjustable Wall Installations
Type of Mounting Kit	Slideable Mount Brackets	Slideable Mount Brackets	Slideable Mount Brackets	Slideable Mount Brackets
Warranty	2-Year Parts & Labor	2-Year Parts & Labor	2-Year Parts & Labor	Limited Life-Time
3-Year GEMR (Government, Education, Military, Religious) Warranty	Yes	Yes	Yes	Yes

# Fixed Frame Screens Comparison Table

Series	Cinema235	Lunette
Product Picture		
Suggested Applications	Home Theater	Home Theater
Screen Diag. Available Size	85"-176"	85"-166"
Screen Available Aspect Ratio	2.35:1 Cinemascope	16:9 HDTV / 2.35:1 Cinemascope
Available Screen Material (Gain)	CineWhite (1.1), CineGrey (1.0), AcousticPro1080 (1.0)	CineWhite (1.1), AcousticPro1080™ (1.0)
Optional Screen Material	N/A	N/A
Black Back Screen Material	Yes	Yes
Frame	Black velvet surfaced 2.36" Aluminum Frame	Black velvet surfaced 3.5" Aluminum Frame
Installation Method	Sliding Mount for Adjustable Wall Installations	Sliding Mount for Adjustable Wall Installations
Type of Mounting Kit	Slideable Mount Brackets	Slideable Mount Brackets
Warranty	2-Year Parts & Labor	2-Year Parts & Labor
3-Year GEMR (Government, Education, Military, Religious) Warranty	Yes	Yes






# Portable Screens Comparison Table

Series	Tripod	Tripod Pro	ezCinema	ezCinema Plus
Product Picture				
Suggested Applications	Budget Educational/Conference Room	Rental ProAV & Staging	Indoor/Outdoor Home Theater & Game System or Portable Training presentations	(Enhanced Model) Small Group / Personal Portable Training Presentations
Screen Material Available	MaxWhite	MaxWhite	MaxWhite	MaxWhite
Screen Diag. Available Size	71"-136"	85"-119"	60"-150"	60"-100"
Screen Available Aspect Ratio	1:1 / 4:3 / 16:9	1:1	4:3 / 16:9	1:1 / 4:3 / 16:9
Wide Diffusion Uniformity	Yes	Yes	Yes	Yes
Gain	1.1	1.1	1.1	1.1
Viewing Angle	160°	160°	160°	160°
Easy to Clean Screen Material	Yes	Yes	Yes	Yes
4 Side Black Masking Border	Yes	Yes	Yes	Yes
Supporting Hardware	Tripod Leg, Screen Pull Up	Tripod Leg, Screen Pull Up	Floor Pull Up, Telescoping Extension	Floor Pull Up, Scissor-Spring Supporting Hardware
Case/Structure Material	Steel	Steel, covered in velvet	Aluminum	Aluminum
Built-In Carrying Handle	Yes	Yes	Yes	Yes
Screen Setup	Easy	Easy	Easy	Easiest (Lift & Stay-Put)
Space Saving	Yes	Yes	Yes	Yes
Portability	Good	Good	Better	Best
Keystone Adjustment	Yes	Yes	None	None
Carrying Equipment	Optional Carrying Bag	Optional Carrying Bag	*Carrying bag w/shoulder Strap Included	Carrying bag w/shoulder Strap Included
Weight Range	7-42 lbs (3-19 kgs)	12-20 lbs (5-9 kgs)	13-30 lbs (5-14 kgs)	14-28 lbs (6-13 kgs)
Warranty	2-Year Parts & Labor	2-Year Parts & Labor	2-Year Parts & Labor	2-Year Parts & Labor
3-Year GEMR (Government, Education, Military, Religious) Warranty	Yes	Yes	Yes	Yes





\*Up to 100" models only

# Portable Screens Comparison Table

Series	QuickStand	QuickStand w/Drape Kit	MicroFlip
Product Picture			
Suggested Applications	Commercial Training Seminars, Educational & Tradeshow Presentations	Commercial Training Seminars, Educational & Tradeshow Presentations	Mobile presentations coupled with small low lumens LED pocket projectors
Screen Material Available	CineWhite, (Optional WraithVeil Rear Projection)	CineWhite, (Optional WraithVeil Rear Projection)	StarBright™ 7
Screen Diag. Available Size	72"-200"	72"-200"	15"-20"
Screen Available Aspect Ratio	4:3 / 16:9	4:3 / 16:9	4:3
Wide Diffusion Uniformity	Yes	Yes	Yes
Gain	1.1	1.1	7.0
Viewing Angle	160°	160°	120°
Easy to Clean Screen Material	Yes	Yes	Yes
4 Side Black Masking Border	Yes	Yes	Yes
Supporting Hardware	Folding Legs and Frame	Folding Legs and Frame	Self-support with magnetic clasps
Case/Structure Material	Aluminum	Aluminum	Heavy duty plastic
Built-In Carrying Handle	Yes	Yes	N/A
Screen Setup	Easy	Easy	Easiest (folds out)
Space Saving	Yes	Yes	Yes
Portability	Good	Good	Best
Keystone Adjustment	None	None	None
Carrying Equipment	Wheeled Aluminum Transportation Case Included	Wheeled Aluminum Transportation Case Included	Portfolio Book Design
Weight Range	25-108 lbs (9-49 kgs)	25-108 lbs (9-49 kgs)	0.7-1.1 lbs (0.3-0.5 kgs)
Warranty	2-Year Parts & Labor	2-Year Parts & Labor	2-Year Parts & Labor
3-Year GEMR (Government, Education, Military, Religious) Warranty	Yes	Yes	Yes



# Whiteboard Screens Comparison Table

Series	WhiteBoardScreen	WhiteBoardScreen Universal	Insta-DE Screen	Insta-DEM Screen
Product Picture				
Suggested Applications	Educational Classroom, Training Room, Lecture with ambient lighting	Educational Classroom, Training Room, Lecture, Interactive pens/projectors	Educational Classroom, Training Room, Lecture, Interactive pens/projectors	Educational Classroom, Training Room, Lecture, Interactive pens/projectors
Screen Diag. Available Size	60" / 80" / 95"	58" / 77" / 87" / 94"	63" / 84" / 95" / 102" & 4' H x 10' W	52" / 69" / 78" / 85"
Screen Available Aspect Ratio	4:3 (NTSC) / 16:9 (HDTV)	4:3 (NTSC) / 16:9 (HDTV) 16:10 (WXGA)	4:3 (NTSC) / 16:9 (HDTV) 16:10 (WXGA)	4:3 (NTSC) / 16:9 (HDTV) 16:10 (WXGA)
Available Screen Material (Gain)	StarBright™ 4 (Gain 4.0) for Projection and Dry Erase Whiteboard Function	VersaWhite (Gain 1.1) for Projection with wide diffusion uniformity and Dry Erase whiteboard function	VersaWhite (Gain 1.1) for Projection with wide diffusion uniformity and Dry Erase whiteboard function	VersaWhite (Gain 1.1) for Projection with wide diffusion uniformity and Dry Erase whiteboard function
Type of Backing	Steel	Wood	Soft foam pad	Magnetic
Ideal for ambient light	Yes	No	No	No
Viewing Angle	120°	180°	180°	180°
Easy to clean	Yes	Yes	Yes	Yes
Accessories Included	Tray, dry erase markers, eraser, cleaning solution	Tray, dry erase markers, eraser, cleaning solution	Self-stick accessory cradle, dry erase pens, eraser, microfiber cleaning cloth	Self-stick accessory cradle, dry erase pens, eraser, microfiber cleaning cloth
Black Backing	Yes	Yes	Yes	Yes
Frame	Black 1" Aluminum Frame	Black 1" Aluminum Frame	N/A	N/A
Installation Method	Sliding Mount for Adjustable Wall Installations	Sliding Mount for Adjustable Wall Installations	Adhesive tape installs on walls, windows, existing whiteboards	Magnetic backing adheres on any metal surfaces & magnetic whiteboard
Type of Mounting Kit	Slideable Mount Brackets	Slideable Mount Brackets	Self-Adhesive	Self-Adhesive
Short throw projector compatible	No	Yes	Yes	Yes
Warranty	2-Year Parts & Labor	2-Year Parts & Labor	2-Year Parts & Labor	2-Year Parts & Labor
3-Year GEMR (Government, Education, Military, Religious) Warranty	Yes	Yes	Yes	Yes

# Manual Series

- Manual Pull Down Screens
- Wall/Ceiling Manual Pull Down Front Projection Screen



## FEATURES & BENEFITS

### Screen Material:

- MaxWhite 1.1 Gain Screen Material is durable and easy to clean
- 160 degree wide viewing angle for commercial and residential presentations
- Black backed screen material eliminates light penetration for superior color reproduction
- Black masking enhances picture contrast

### Casing and Installation:

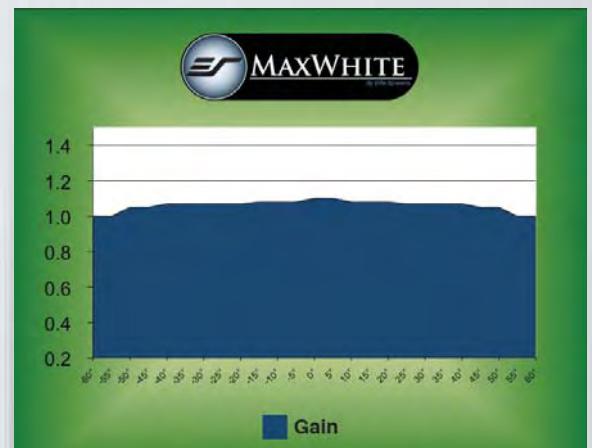
- Durable metal casing
- Suitable for wall/ceiling installations
- Optional 6", 12" and 18" brackets available

### Control System:

- Auto-locking mechanism with variable height settings
- Manually operated (lanyard included)

### Warranty:

- 2-year parts and labor
- 3-year warranty for GEMR (Government, Education, Military and Religious) - US only



Elite Screens' MaxWhite Screen Material is durable for daily use and Easy to Clean. It has a wide viewing angle with 1.1 Gain and is suitable for most applications including Commercial /Educational and Residential. MaxWhite Screen material has a black backing to eliminate light penetration for superior color reproduction. Its Texture pattern eliminates Moiré or Hot Spotting which is a common phenomenon with poorly made projection screen material or wall projections.





Optional 6", 12" or 18" Brackets can always provide more flexibility with an installation. Please contact your reseller or visit [shop.elitescreens.com](http://shop.elitescreens.com) for accessory parts.



Available in Black and White Casing Colors.



Black-Backed Screen Material

Lanyard Included for Convenient Operation



Elite Screens stocks all sizes from 71" to 170" in 1:1, 4:3, 16:9 and 16:10 aspect ratios. Choose from white or black metallic casing options.

## Manual Series: Business/Education Manual Pull Down Projector Screen 1:1 format

Model	Nominal Diagonal	View Height (in)	View Width (in)	View Height (cm)	View Width (cm)	UPS or FedEx	Net Weight (lbs)	Gross Weight (lbs)	Net Weight (kgs)	Gross Weight (kgs)	Packaging Dimension (LxHxW)	Gain	Screen Material	Case Color
M71UWS1	71" (1:1)	50.0	50.0	127.0	127.0	Yes	10.1	12.6	4.6	5.7	59"x4.5"x5"	1.1	MaxWhite	Black
M71XWS1	71" (1:1)	50.0	50.0	127.0	127.0	Yes	10.1	12.6	4.6	5.7	59"x4.5"x5"	1.1	MaxWhite	White
M85UWS1	85" (1:1)	60.0	60.0	152.4	152.4	Yes	12.6	20.0	5.7	9.1	73.6"x4.5"x5"	1.1	MaxWhite	Black
M85XWS1	85" (1:1)	60.0	60.0	152.4	152.4	Yes	12.6	20.0	5.7	9.1	73.6"x4.5"x5"	1.1	MaxWhite	White
M99NWS1	99" (1:1)	70.0	70.0	177.8	177.8	Yes	16.7	23.4	7.6	10.6	80"x4.5"x5"	1.1	MaxWhite	White
M99UWS1	99" (1:1)	70.0	70.0	177.8	177.8	Yes	16.7	23.4	7.6	10.6	80"x4.5"x5"	1.1	MaxWhite	Black
M113NWS1	113" (1:1)	80.0	80.0	203.2	203.2	Yes	19.3	23.4	8.8	11.0	90"x5.5"x5.5"	1.1	MaxWhite	White
M113UWS1	113" (1:1)	80.0	80.0	203.2	203.2	Yes	19.3	23.4	8.8	11.0	90"x5.5"x5.5"	1.1	MaxWhite	Black
M119UWS1	119" (1:1)	84.0	84.0	213.4	213.4	Yes	20.9	25.4	9.5	11.5	94"x5.5"x5.5"	1.1	MaxWhite	Black
M119XWS1	119" (1:1)	84.0	84.0	213.4	213.4	Yes	20.9	25.4	9.5	11.5	94"x5.5"x5.5"	1.1	MaxWhite	White
M136UWS1	136" (1:1)	96.0	96.0	243.8	243.8	Yes	23.9	28.3	10.8	12.9	106.2"x5.5"x5.5"	1.1	MaxWhite	Black
M136XWS1	136" (1:1)	96.0	96.0	243.8	243.8	Yes	23.9	28.3	10.8	12.9	106.2"x5.5"x5.5"	1.1	MaxWhite	White
M170XWS1	170" (1:1)	120.0	120.0	304.8	304.8	No	35.7	42.3	16.2	19.2	130.7"x5.83"x6.3"	1.1	MaxWhite	White

## Manual Series: Business/Education Manual Pull Down Projector Screen

Model	Nominal Diagonal	View Height (in)	View Width (in)	View Height (cm)	View Width (cm)	UPS or FedEx	Net Weight (lbs)	Gross Weight (kg)	Net Weight (lbs)	Gross Weight (kgs)	Packaging Dimension (LxHxW)	Gain	Screen Material	Case Color
M80NWV	80" (4:3)	48.0	64.0	121.9	162.6	Yes	12.7	15.8	5.8	7.2	73.3"x4.5"x5"	1.1	MaxWhite	White
M84NWV	84" (4:3)	50.3	67.0	127.8	170.2	Yes	13.7	16.5	6.2	7.5	76"x4.5"x5"	1.1	MaxWhite	White
M100NWV1	100" (4:3)	60.0	80.0	152.4	203.2	Yes	18.0	21.8	8.2	9.9	90.25"x5.5"x5.5"	1.1	MaxWhite	White
M100UWV1	100" (4:3)	60.0	80.0	152.4	203.2	Yes	18.0	21.8	8.2	9.9	90.25"x5.5"x5.5"	1.1	MaxWhite	Black
M120UWV2	120" (4:3)	72.0	96.0	182.9	243.8	Yes	22.0	26.3	10.0	11.9	106.25"x5"x5"	1.1	MaxWhite	Black
M120XWV2	120" (4:3)	72.0	96.0	182.9	243.8	Yes	22.0	26.3	10.0	11.9	106.25"x5"x5"	1.1	MaxWhite	White
M135UWV2	135" (4:3)	81.0	108.0	205.7	274.3	No	31.2	36.7	14.2	16.6	118"x5.83"x6.3"	1.1	MaxWhite	Black
M135XWV2	135" (4:3)	81.0	108.0	205.7	274.3	No	31.2	36.7	14.2	16.6	118"x5.83"x6.3"	1.1	MaxWhite	White
M150UWV2	150" (4:3)	90.0	120.0	228.6	304.8	No	35.3	41.9	16.0	19.0	130.31"x5.83"x6.3"	1.1	MaxWhite	Black
M150XWV2	150" (4:3)	90.0	120.0	228.6	304.8	No	35.3	41.9	16.0	19.0	130.31"x5.83"x6.3"	1.1	MaxWhite	White
M84UWH	84" (16:9)	41.0	73.0	104.1	185.4	Yes	13.7	16.8	6.2	7.6	82"x4.5"x5"	1.1	MaxWhite	Black
M84UWH-E30	84" (16:9)	41.0	73.0	104.1	185.4	Yes	13.7	16.8	6.2	7.6	82"x4.5"x5"	1.1	MaxWhite	Black
M84XWH-E30	84" (16:9)	41.0	73.0	104.1	185.4	Yes	13.7	16.8	6.2	7.6	82"x4.5"x5"	1.1	MaxWhite	White
M92UWH	92" (16:9)	45.1	80.2	114.6	203.7	Yes	15.6	19.1	7.1	8.7	88.3"x4.5"x5"	1.1	MaxWhite	Black
M100UWH	100" (16:9)	49.0	87.0	124.5	221.0	Yes	20.1	24.3	9.1	11.0	97.5"x5.5"x5.5"	1.1	MaxWhite	Black
M100XWH	100" (16:9)	49.0	87.0	124.5	221.0	Yes	20.1	24.3	9.1	11.0	97.5"x5.5"x5.5"	1.1	MaxWhite	White
M100XWH-E24	100" (16:9)	49.1	87.2	124.7	221.5	Yes	20.1	24.3	9.1	11.0	97.5"x5.5"x5.5"	1.1	MaxWhite	White
M106UWH	106" (16:9)	52.0	92.4	132.1	234.7	Yes	20.7	24.9	9.4	11.3	102.75"x5.5"x5.5"	1.1	MaxWhite	Black
M120UWH2	120" (16:9)	58.8	104.6	149.4	265.7	No	23.4	28.7	10.6	13.0	115"x 5.5"x5.5"	1.1	MaxWhite	Black
M120XWH2	120" (16:9)	58.8	104.6	149.4	265.7	No	23.4	28.7	10.6	13.0	115"x 5.5"x5.5"	1.1	MaxWhite	White
M120XWH2-E24	120" (16:9)	58.5	104.0	148.6	264.2	No	23.4	28.7	10.6	13.0	115"x 5.5"x5.5"	1.1	MaxWhite	White
M135UWH2	135" (16:9)	66.0	117.3	167.6	298.0	No	31.1	37.6	14.1	17.1	127.8"x5.83"x6.3"	1.1	MaxWhite	Black
M135XWH2	135" (16:9)	66.2	117.7	168.1	299.0	No	31.1	37.6	14.1	17.1	127.8"x5.83"x6.3"	1.1	MaxWhite	White
M150UWH2	150" (16:9)	73.5	130.7	186.7	332.0	No	35.9	42.2	16.3	19.2	140.94"x5.83"x6.3"	1.1	MaxWhite	Black
M150XWH2	150" (16:9)	73.5	130.7	186.7	332.0	No	35.9	42.2	16.3	19.2	140.94"x5.83"x6.3"	1.1	MaxWhite	White
M86UWX	86" (16:10)	45.6	73.0	185.4	185.4	Yes	13.7	15.6	6.2	7.5	81.8"x4.5"x4.9"	1.1	MaxWhite	Black
M94UWX	94" (16:10)	49.8	79.7	126.5	202.4	Yes	15.7	18.6	7.1	8.4	88.23"x4.49"x4.92"	1.1	MaxWhite	Black
M109UWX	109" (16:10)	57.8	92.4	146.7	234.7	Yes	20.3	24.7	9.2	11.2	102.7"x5.4"x5.5"	1.1	MaxWhite	Black
M128UWX	128" (16:10)	67.8	108.4	172.2	275.3	No	28.8	34.3	13.1	15.6	118.2"x5.83"x6.3"	1.1	MaxWhite	Black
M139UWX	139" (16:10)	73.3	117.3	186.2	297.9	No	33.3	38.9	15.1	17.6	127.8"x5.8"x6"	1.1	MaxWhite	Black



### Manual Pull-Down Series Dimensions Table

Model	Screen Diag. & Aspect Ratio	Case Length (A)	Screen Width (A1)	View Width (A2)	Weight Bar Length (A3)	Bottom Edge Distance (B4)	Screen Material to Weight Bar Height (B3)	View Height (B1)	Overall Height (B)	End Cap Height (B5)	End Cap Width (C)	Distance from Screen material to wall (C1)
M84UWH	84" (16:9)	2014	1936	1860	2010	62	1222	1046	1304	82	69	20
M84H-E30	84" (16:9)	2014	1936	1860	2010	62	1870	1046	1952	82	69	20
M92UWH	92" (16:9)	2166	2113	2037	2162	62	1322	1146	1404	82	69	20
M100H	100" (16:9)	2374	2290	2214	2370	62	1421	1245	1503	82	69	20
M100H-E24	100" (16:9)	2374	2290	2214	2370	62	1917	1245	1999	82	69	20
M106UWH	106" (16:9)	2506	2423	2347	2502	62	1496	1320	1588	92	79.5	20
M120H	120" (16:9)	2816	2733	2657	2812	62	1670	1494	1762	92	79.5	20
M120H-E24	120" (16:9)	2816	2733	2657	2812	62	2166	1494	2258	92	79.5	20
M135H	135" (16:9)	3148	3065	2989	3144	62	1857	1681	1962	105	88	20
M150H	150" (16:9)	3484	3397	3321	3480	62	2044	1868	2149	105	88	20
M80NWV	80" (4:3)	1786	1702	1626	1782	62	1395	1219	1477	82	69	20
M84NWV	84" (4:3)	1867	1783	1707	1863	62	1418	1280	1500	82	69	20
M100V	100" (4:3)	2166	2108	2032	2162	62	1700	1524	1782	82	69	20
M120V	120" (4:3)	2598	2514	2438	2594	62	2005	1829	2097	92	79.5	20
M135V	135" (4:3)	2907	2819	2743	2903	62	2233	2057	2338	105	88	20
M150V	150" (4:3)	3212	3124	3048	3208	62	2462	2286	2567	105	88	20
M71S	71" (1:1)	1425	1351	1275	1421	62	1451	1275	1533	82	69	20
M85S	85" (1:1)	1677	1603	1527	1673	62	1703	1527	1785	82	69	20
M99S	99" (1:1)	1938	1854	1778	1934	62	1916	1778	2008	92	79.5	20
M113S	113" (1:1)	2192	2106	2030	2188	62	2206	2030	2298	92	79.5	20
M119S	119" (1:1)	2294	2210	2134	2290	62	2300	2137	2392	92	79.5	20
M136S	136" (1:1)	2598	2519	2443	2594	62	2619	2443	2711	92	79.5	20
M170S	170" (1:1)	3244	3124	3048	3240	62	3224	3048	3329	105	88	20
M94UWX	94" (1:1)	2192	2101	2025	2188	62	1441	1265	1523	82	69	20
M128UWX	128" (1:1)	2923	2833	2757	2919	62	1899	1723	1991	92	79.5	20

Unit: mm

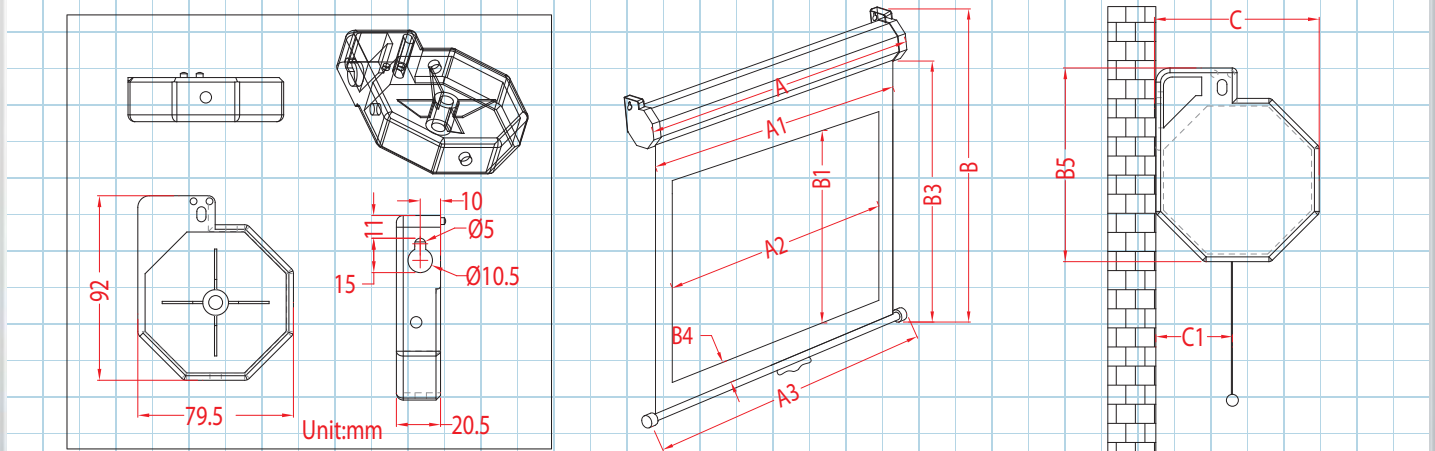
Can't find size and ratio you're looking for? Visit [elitescreens.com/csr](http://elitescreens.com/csr) to create your own

Model	Screen Diag. & Aspect Ratio	Case Length (A)	Screen Width (A1)	View Width (A2)	Weight Bar Length (A3)	Bottom Edge Distance (B4)	Screen Material to Weight Bar Height (B3)	View Height (B1)	Overall Height (B)	End Cap Height (B5)	End Cap Width (C)	Distance from Screen material to wall (C1)
M84UWH	84" (16:9)	79.3	76.2	73.2	79.1	2.4	48.1	41.2	51.3	3.2	2.7	0.8
M84H-E30	84" (16:9)	79.3	76.2	73.2	79.1	2.4	73.6	41.2	76.9	3.2	2.7	0.8
M92UWH	92" (16:9)	85.3	83.2	80.2	85.1	2.4	52.0	45.1	55.3	3.2	2.7	0.8
M100UWH	100" (16:9)	93.5	90.2	87.2	93.3	2.4	55.9	49.0	59.2	3.2	2.7	0.8
M100H-E24	100" (16:9)	93.5	90.2	87.2	93.3	2.4	75.5	49.0	78.7	3.2	2.7	0.8
M106UWH	106" (16:9)	98.7	95.4	92.4	98.5	2.4	58.9	52.0	62.5	3.6	3.1	0.8
M120H	120" (16:9)	110.9	107.6	104.6	110.7	2.4	65.7	58.8	69.4	3.6	3.1	0.8
M120H-E24	120" (16:9)	110.9	107.6	104.6	110.7	2.4	85.3	58.8	88.9	3.6	3.1	0.8
M135H	135" (16:9)	123.9	120.7	117.7	123.8	2.4	73.1	66.2	77.2	4.1	3.5	0.8
M150H	150" (16:9)	137.2	133.7	130.7	137.0	2.4	80.5	73.5	84.6	4.1	3.5	0.8
M80NWV	80" (4:3)	70.3	67.0	64.0	70.2	2.4	54.9	48.0	58.1	3.2	2.7	0.8
M84NWV	84" (4:3)	73.5	70.2	67.2	73.3	2.4	55.8	50.4	59.1	3.2	2.7	0.8
M100V	100" (4:3)	85.3	83.0	80.0	85.1	2.4	66.9	60.0	70.2	3.2	2.7	0.8
M120V	120" (4:3)	102.3	99.0	96.0	102.1	2.4	78.9	72.0	82.6	3.6	3.1	0.8
M135V	135" (4:3)	114.4	111.0	108.0	114.3	2.4	87.9	81.0	92.0	4.1	3.5	0.8
M150V	150" (4:3)	126.5	123.0	120.0	126.3	2.4	96.9	90.0	101.1	4.1	3.5	0.8
M71S	71" (1:1)	56.1	53.2	50.2	55.9	2.4	57.1	50.2	60.4	3.2	2.7	0.8
M85S	85" (1:1)	66.0	63.1	60.1	65.9	2.4	67.0	60.1	70.3	3.2	2.7	0.8
M99S	99" (1:1)	76.3	73.0	70.0	76.1	2.4	75.4	70.0	79.1	3.6	3.1	0.8
M113S	113" (1:1)	86.3	82.9	79.9	86.1	2.4	86.9	79.9	90.5	3.6	3.1	0.8
M119S	119" (1:1)	90.3	87.0	84.0	90.2	2.4	90.6	84.1	94.2	3.6	3.1	0.8
M136S	136" (1:1)	102.3	99.2	96.2	102.1	2.4	103.1	96.2	106.7	3.6	3.1	0.8
M170S	170" (1:1)	127.7	123.0	120.0	127.6	2.4	126.9	120.0	131.1	4.1	3.5	0.8
M94UWX	94" (1:1)	86.3	82.7	79.7	86.1	2.4	56.7	49.8	60.0	3.2	2.7	0.8
M128UWX	128" (1:1)	115.1	111.5	108.5	114.9	2.4	74.8	67.8	78.4	3.6	3.1	0.8

Unit: inch

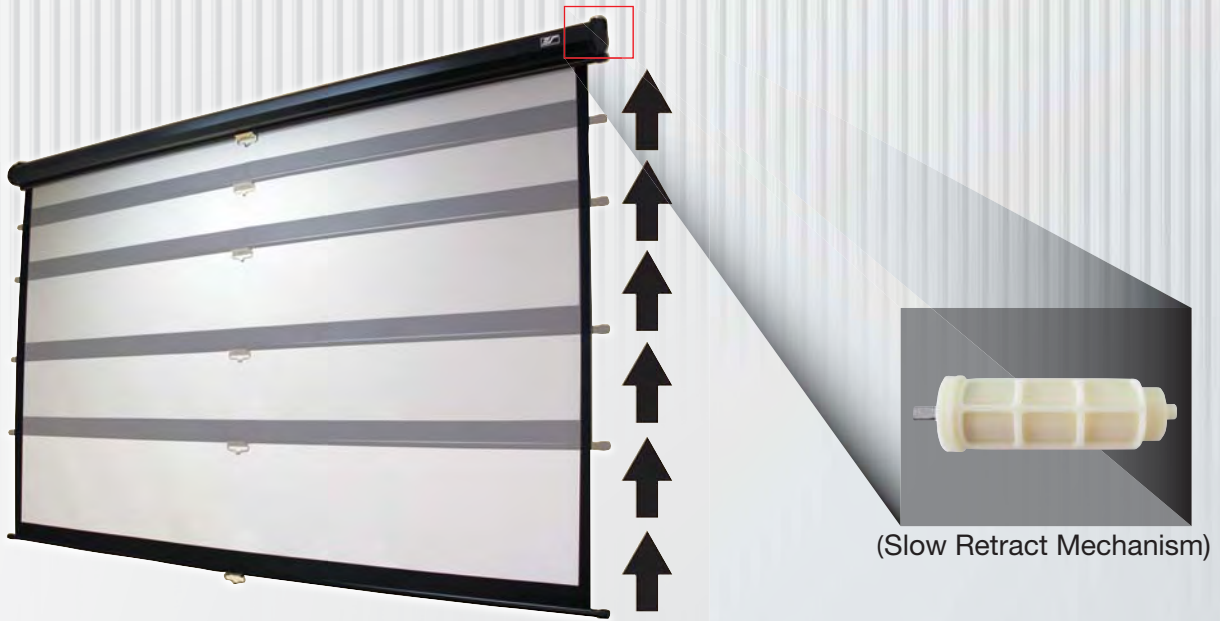
Can't find size and ratio you're looking for? Visit [elitescreens.com/csr](http://elitescreens.com/csr) to create your own

The listed measurements are for general reference only. Please contact Elite Screens to verify product design and dimensions before attempting to integrate its products with any structural or furniture modification. Although a manufacturer may offer product advice, it may be taken or disregarded at the integrator's discretion. Elite Screens will not be held responsible or be otherwise liable for faulty installations.



# Manual SRM Series

- Manual Pull Down Screens
- Wall/Ceiling Manual Pull Down Front Projection Screen



## FEATURES & BENEFITS

### Screen Material:

- MaxWhite 1.1 Gain Screen Material is durable and easy to clean
- 160 degree wide viewing angle for commercial and residential presentations
- Black backed screen material eliminates light penetration for superior color reproduction
- Black masking enhances picture contrast

### Casing and Installation:

- Durable metal casing
- Suitable for wall/ceiling installations
- Optional 6", 12" and 18" brackets available

### Control System:

- Slow Retract Mechanism (SRM)
- Auto-locking mechanism with variable height settings
- Manually operated (lanyard included)

### Warranty:

- 2-year parts and labor
- 3-year warranty for GEMR (Government, Education, Military and Religious) - US only



ZVMAXLB6-B: Black 6" L Bracket Set  
ZVMAXLB6-W: White 6" L Bracket Set



## Manual SRM Series: Slow Retract Manual Pull Down Projector Screen

Model	Nominal Diagonal	View Height (in)	View Width (in)	View Height (cm)	View Width (cm)	UPS or FedEx	Net Weight (lbs)	Gross Weight (lbs)	Net Weight (kgs)	Gross Weight (kgs)	Packaging Dimension (LxHxW)	Gain	Screen Material	Case Color
M85XWS1-SRM	85" (1:1)	60.0	60.0	152.4	152.4	Yes	13.2	16.1	6.0	7.3	68.90"x5.51"x5.71"	1.1	MaxWhite	White
M99NWS1-SRM	99" (1:1)	70.0	70.0	177.8	177.8	Yes	15.7	18.5	7.1	8.4	79.13"x5.39"x5.5"	1.1	MaxWhite	White
M113NWS1-SRM	113" (1:1)	80.0	80.0	203.2	203.2	Yes	18.1	21.8	8.2	9.9	90.15"x5.15"x5.63"	1.1	MaxWhite	White
M84NWS1-SRM	84" (4:3)	50.3	67.0	127.8	170.2	Yes	14.3	17.4	6.5	7.9	76.18"x5.12"x5.51"	1.1	MaxWhite	White
M100NWS1-SRM	100" (4:3)	60.0	80.0	152.4	203.2	Yes	20.3	16.8	9.2	9.6	90.55"x5.31"x5.51"	1.1	MaxWhite	White
M120XWS1-SRM	120" (4:3)	72.0	96.0	182.9	243.8	Yes	20.6	24.6	9.3	11.1	106.1"x5.31"x5.6"	1.1	MaxWhite	White

### Manual SRM Series Dimensions Table

Model	Nominal Diagonal & Aspect Ratio	Case Length (A)	Screen Width (A1)	View Width (A2)	Weight Bar Length (A3)	Bottom Edge Distance (B4)	Screen Material to Weight Bar Height (B3)	View Height (B1)	Overall Height (B)	End Cap Height (B5)	End Cap Width (C)	Distance from Screen material to wall (C1)
M85XWS1-SRM	85" (1:1)	1677	1603	1527	1673	62	1703	1527	1795	92	79.5	20
M99NWS1-SRM	99" (1:1)	1938	1854	1778	1934	62	1954	1778	2046	92	79.5	20
M113NWS1-SRM	113" (1:1)	2192	2106	2030	2188	62	2206	2030	2298	92	79.5	20
M84NWS1-SRM	84" (4:3)	1867	1783	1707	1863	62	1456	1280	1548	92	79.5	20
M100NWS1-SRM	100" (4:3)	2192	2108	2032	2188	62	1700	1524	1792	92	79.5	20
M120XWS1-SRM	120" (4:3)	2598	2514	2438	2594	62	2005	1829	2097	92	79.5	20

Unit: mm

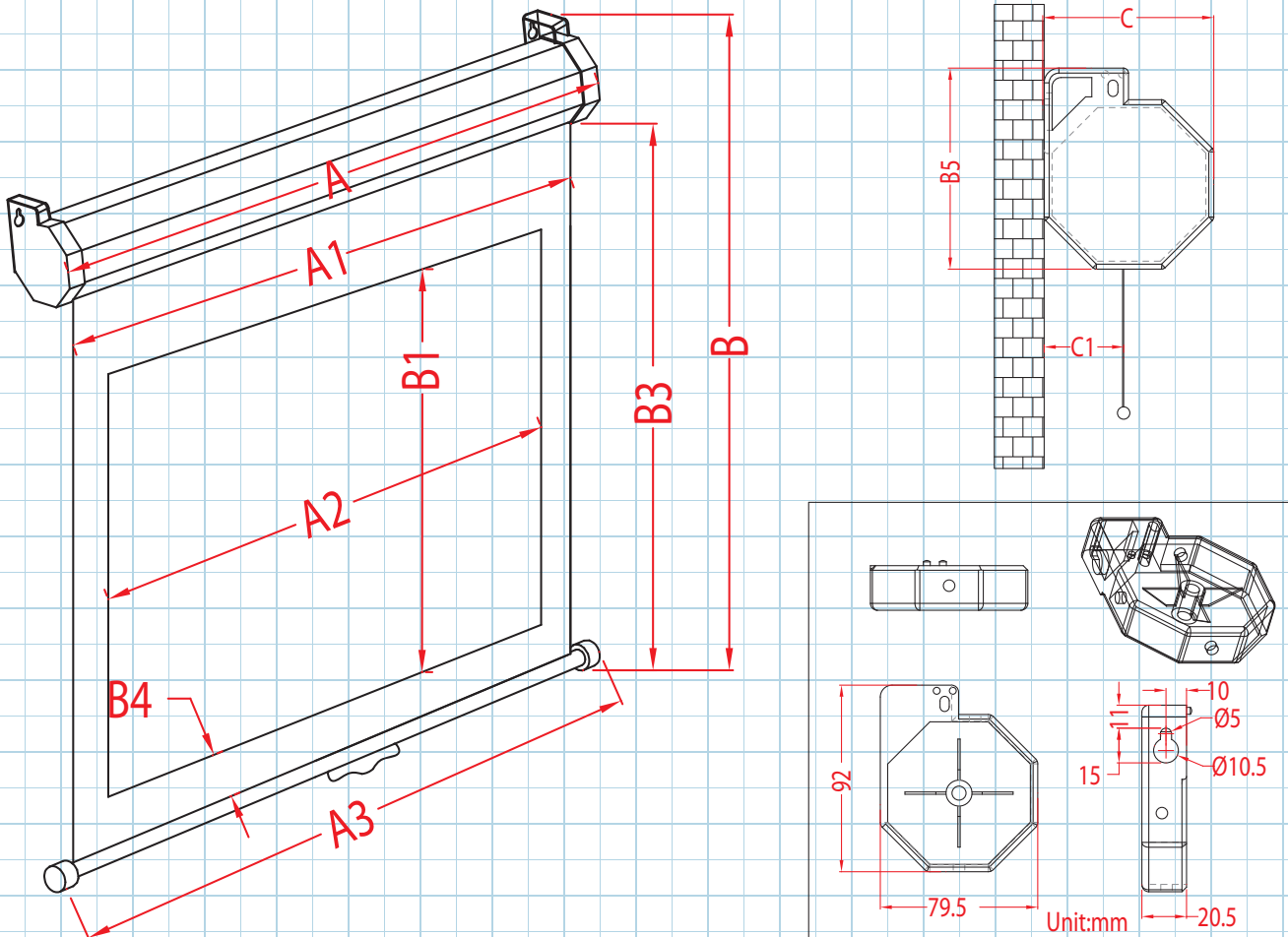
Can't find size and ratio you're looking for? Visit [elitescreens.com/csr](http://elitescreens.com/csr) to create your own

Model	Nominal Diagonal & Aspect Ratio	Case Length (A)	Screen Width (A1)	View Width (A2)	Weight Bar Length (A3)	Bottom Edge Distance (B4)	Screen Material to Weight Bar Height (B3)	View Height (B1)	Overall Height (B)	End Cap Height (B5)	End Cap Width (C)	Distance from Screen material to wall (C1)
M85XWS1-SRM	85" (1:1)	66.0	63.1	60.1	65.9	2.4	67.0	60.1	70.7	3.6	3.1	0.8
M99NWS1-SRM	99" (1:1)	76.3	73.0	70.0	76.1	2.4	76.9	70.0	80.6	3.6	3.1	0.8
M113NWS1-SRM	113" (1:1)	86.3	82.9	79.9	86.1	2.4	86.9	79.9	90.5	3.6	3.1	0.8
M84NWS1-SRM	84" (4:3)	73.5	70.2	67.2	73.3	2.4	57.3	50.4	60.9	3.6	3.1	0.8
M100NWS1-SRM	100" (4:3)	86.3	83.0	80.0	86.1	2.4	66.9	60.0	70.6	3.6	3.1	0.8
M120XWS1-SRM	120" (4:3)	102.3	99.0	96.0	102.1	2.4	78.9	72.0	82.6	3.6	3.1	0.8

Unit: inch

Can't find size and ratio you're looking for? Visit [elitescreens.com/csr](http://elitescreens.com/csr) to create your own

The listed measurements are for general reference only. Please contact Elite Screens to verify product design and dimensions before attempting to integrate its products with any structural or furniture modification. Although a manufacturer may offer product advice, it may be taken or disregarded at the integrator's discretion. Elite Screens will not be held responsible or be otherwise liable for faulty installations.



# Manual SRM Pro Series

- Premium grade Aluminum Pearlescent Square Housing
- Wall/Ceiling Manual Pull Down Front Projection Screen



## FEATURES & BENEFITS

### Screen Material:

- MaxWhite 1.1 Gain Fiber Glass Screen Material is flat, durable and easy to clean
- 160 degree wide-viewing angle for commercial and residential presentations
- Black backed screen material eliminates light penetration or superior color reproduction
- Black masking enhances picture contrast

### Housing Finish and Installation:

- Premium grade Aluminum Pearlescent Square Housing
- Dual wall and ceiling installation design
- Optional 6", 12" and 18" hanging mounting brackets

### Flatness Treatment:

- Fiberglass-backed material has added flatness

### Control System:

- Slow Retract Mechanism (SRM)
- Auto-locking mechanism with variable height settings
- Manually operated (lanyard included)

### Warranty:

- 2-year parts and labor
- 3-year warranty for GEMR (Government, Education, Military and Religious) - US only



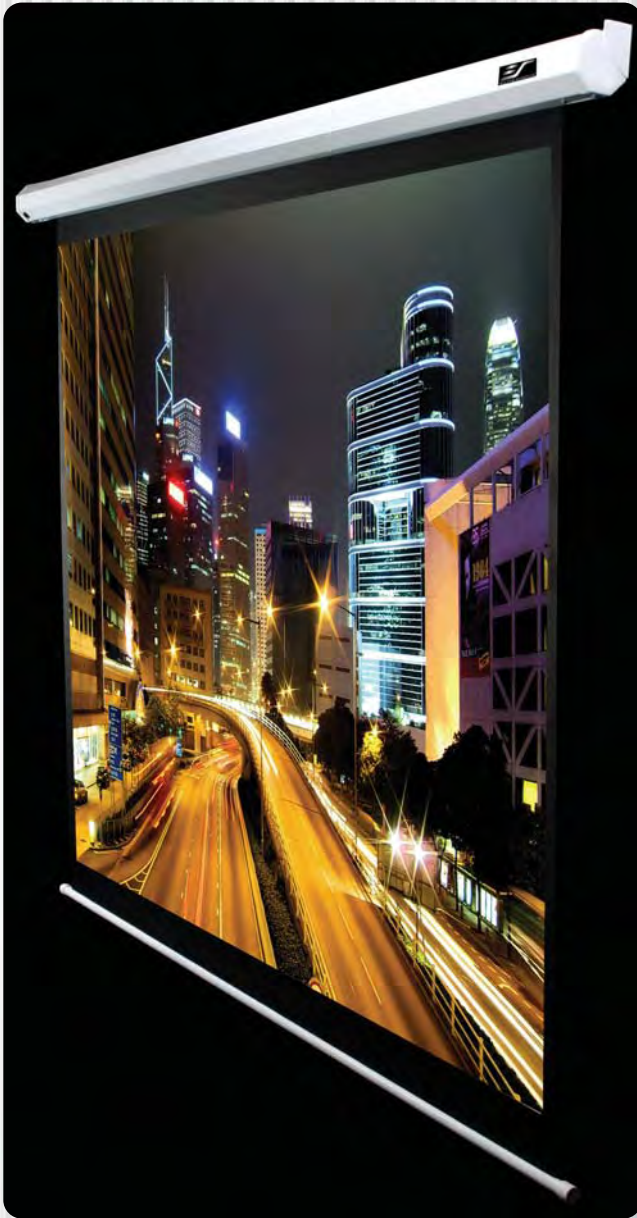
ZVMAXLB6-B: Black 6" L Bracket Set  
ZVMAXLB6-W: White 6" L Bracket Set





# Spectrum Series

- Multi-Purpose Electric/Motorized Screen



The Spectrum Series has 4-10 inches of top masking to complement the side and bottom borders. This provides a professional effect by properly framing your projected image.

The vertical drop/rise setting are adjustable. Please contact our tech support department for more information on this feature.

## FEATURES & BENEFITS

### Screen Material:

- MaxWhite 1.1 Gain Screen Material is durable and easy to clean
- 160 degree wide viewing angle for commercial and residential presentations
- Black backed screen material eliminates light penetration for superior color reproduction
- Black masking enhances picture contrast

### Casing and Installation:

- Durable metal casing
- Suitable for wall/ceiling installations
- Ships fully assembled with 3-prong power connection ready to Plug & Play
- Optional 6" - 18" brackets available

### Motor System:

- Synchronized Motor is silent, energy efficient and enhances product longevity

### Control System:

- Infrared remote and wall switch
- Internal IR/RF low voltage receivers
- 5-12 volt trigger synchronizes with projector
- Adjustable vertical limit switch
- Optional RF, In-Wall up/down switch and 5-12V controls available

### Quality and Reliability:

- Standard 2-year parts and labor warranty
- 3-year warranty for GEMR (Government, Education, Military and Religious) - US only
- ETL, FCC, CE, CB GOSTCE & ISO9001:2008 Certified

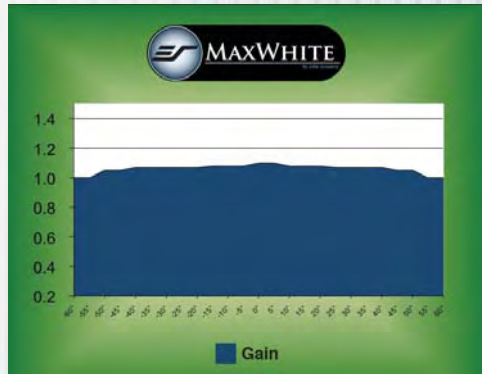
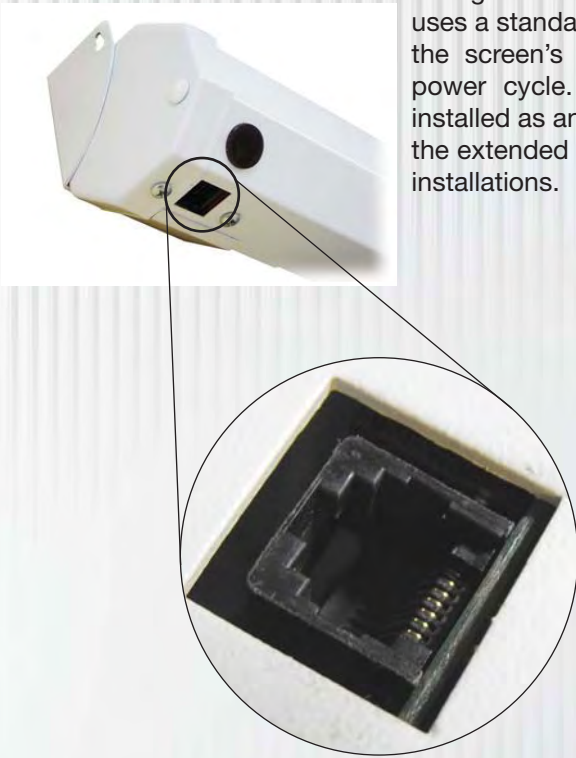




Standard Internal Infrared (IR) and Radio Frequency (RF) Receivers for optional RF remote provide total control while maintaining the streamlined simplicity of this product.

For added durability and enhanced product appearance, the Elite Spectrum Series uses an all-steel casing construction including the end caps.

The Spectrum Series has various control options that work in conjunction with its Low Voltage Controller (LVC). Its 5-12 Volt trigger port uses a standard RJ45 connection and synchronizes the screen's drop and rise with your projector's power cycle. The optional wall box kit can be installed as an external wall-mounted control or use the extended IR "EYE" receiver for recessed ceiling installations.



Elite Screens MaxWhite screen material is the most popular screen material for today's projectors. It is easy to clean and durable for daily use. With the 1.1 gain and 160° wide viewing angle, it is suitable for most applications from commercial to home theater presentations.

Screen material comes with standard black backing to eliminate light penetration while its textured projection surface helps to eliminate Moiré or "hot spotting".

**Spectrum Series: Budget Electric Screen with IR/Low Voltage 3-way wall switch, 4:3, 16:9 and 16:10 format**

Model	Nominal Diagonal	View Height (in)	View Width (in)	View Height (cm)	View Width (cm)	UPS or FedEx	Net Weight (lbs)	Gross Weight (lbs)	Net Weight (kgs)	Gross Weight (kgs)	Packaging Dimension (LxHxW)	Gain	Screen Material	Case Color
Electric84V	84" (4:3)	50.4	67.2	128.0	170.7	Yes	19.3	22.6	8.8	10.2	82"x5.5"x5.5"	1.1	MaxWhite	White
Electric100V	100" (4:3)	60.0	80.0	152.4	203.2	Yes	21.6	26.8	9.8	12.1	95.75"x5.5"x5.5"	1.1	MaxWhite	White
Electric120V	120" (4:3)	72.0	96.0	182.9	243.8	No	25.5	30.5	11.6	13.8	112"x5.5"x5.5"	1.1	MaxWhite	White
Electric84H	84" (16:9)	41.2	73.2	104.6	185.9	Yes	18.5	22.6	8.4	10.3	87.75"x5.5"x5.5"	1.1	MaxWhite	Black
Electric100H	100" (16:9)	49.0	87.2	124.5	221.5	Yes	20.1	26.8	10.0	12.2	102.75"x5.5"x5.5"	1.1	MaxWhite	Black
Electric125H	125" (16:9)	61.3	109.0	155.7	276.9	No	30.9	36.4	14.0	16.5	124.75"x5.5"x5.5"	1.1	MaxWhite	Black
Electric85X	85" (16:10)	45.0	72.0	114.3	182.9							1.1	MaxWhite	White
Electric90X	90" (16:10)	47.5	76.0	120.7	193.0							1.1	MaxWhite	White
Electric106X	106" (16:10)	56.3	90.0	143.0	228.6	Yes	21.0	25.9	9.5	11.8	106.14"x5.5"x5.5"	1.1	MaxWhite	Black
Electric128X	128" (16:10)	67.8	108.4	172.2	275.3	No	25.5	31.9	11.6	14.5	123.62"x5.39"x5.39"	1.1	MaxWhite	Black

### Spectrum Series Dimensions Table

Model	Nominal Diagonal & Aspect Ratio	Case Length (A)	End Cap Screw Hole Distance (A1)	Screen Width (A2)	View Width (A3)	Weight Bar Length (A4)	Bottom Edge Distance (B3)	Screen Material to Weight Bar (B1)	View Height (B2)	Overall Height (B)	End Cap Height (B4)	Screen Material to wall Distance (C1)	End Cap Width (C2)	Power Cord Length (D)
Electric84H	84" (16:9)	2168	2113	1936	1860	2021	95	1382	1046	1475	93	17	80	1800
Electric100H	100" (16:9)	2544	2489	2314	2214	2397	95	1581	1245	1674	93	17	80	1800
Electric125H	125" (16:9)	3103	3048	2869	2769	2956	95	1753	1557	1846	93	17	80	1800
Electric84V	84" (4:3)	2016	1961	1782	1706	1869	95	1616	1280	1709	93	17	80	1800
Electric100V	100" (4:3)	2366	2311	2132	2032	2219	95	1733	1524	1826	93	17	80	1800
Electric120V	120" (4:3)	2773	2718	2538	2438	2626	95	2012	1828	2105	93	17	80	1800
Electric85X	85" (16:10)	PLEASE VISIT ELITESCREENS.COM			1829	PLEASE VISIT ELITESCREENS.COM			1143	PLEASE VISIT ELITESCREENS.COM				
Electric90X	90" (16:10)	PLEASE VISIT ELITESCREENS.COM			1930	PLEASE VISIT ELITESCREENS.COM			1207	PLEASE VISIT ELITESCREENS.COM				
Electric106X	106" (16:10)	2569	2514	2359	2383	2471	95	1674	1427	1767	93	17	80	1800
Electric128X	128" (16:10)	3043	2988	2833	2757	2930	95	1970	1723	2063	93	17	80	1800

Unit: mm

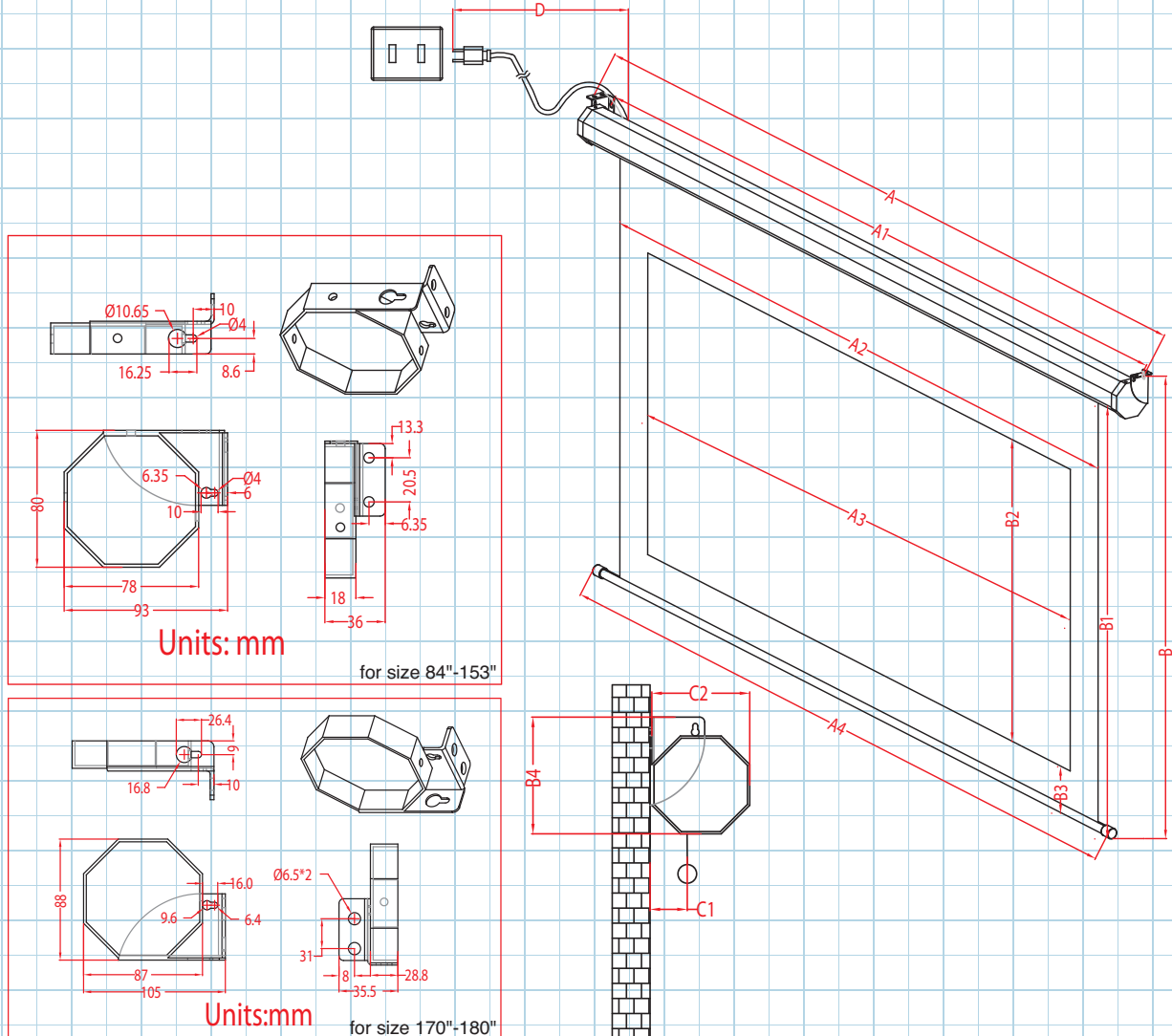
Can't find size and ratio you're looking for? Visit [elitescreens.com/csr](http://elitescreens.com/csr) to create your own

Model	Nominal Diagonal & Aspect Ratio	Case Length (A)	End Cap Screw Hole Distance (A1)	Screen Width (A2)	View Width (A3)	Weight Bar Length (A4)	Bottom Edge Distance (B3)	Screen Material to Weight Bar (B1)	View Height (B2)	Overall Height (B)	End Cap Height (B4)	Screen Material to wall Distance (C1)	End Cap Width (C2)	Power Cord Length (D)
Electric84H	84" (16:9)	85.4	83.2	76.2	73.2	79.6	3.7	54.4	41.2	58.1	3.7	0.7	3.1	70.9
Electric100H	100" (16:9)	100.2	98.0	91.1	87.2	94.4	3.7	62.2	49.0	65.9	3.7	0.7	3.1	70.9
Electric125H	125" (16:9)	122.2	120.0	113.0	109.0	116.4	3.7	69.0	61.3	72.7	3.7	0.7	3.1	70.9
Electric84V	84" (4:3)	79.4	77.2	70.2	67.2	73.6	3.7	63.6	50.4	67.3	3.7	0.7	3.1	70.9
Electric100V	100" (4:3)	93.1	91.0	83.9	80.0	87.4	3.7	68.2	60.0	71.9	3.7	0.7	3.1	70.9
Electric120V	120" (4:3)	109.2	107.0	99.9	96.0	103.4	3.7	79.2	72.0	82.9	3.7	0.7	3.1	70.9
Electric85X	85" (16:10)	PLEASE VISIT ELITESCREENS.COM			72.0	PLEASE VISIT ELITESCREENS.COM			45.0	PLEASE VISIT ELITESCREENS.COM				
Electric90X	90" (16:10)	PLEASE VISIT ELITESCREENS.COM			76.0	PLEASE VISIT ELITESCREENS.COM			47.5	PLEASE VISIT ELITESCREENS.COM				
Electric106X	106" (16:10)	101.1	99.0	92.9	93.8	97.3	3.7	65.9	56.2	69.6	3.7	0.7	3.1	70.9
Electric128X	128" (16:10)	119.8	117.6	111.5	108.5	115.4	3.7	77.6	67.8	81.2	3.7	0.7	3.1	70.9

Unit: inch

Can't find size and ratio you're looking for? Visit [elitescreens.com/csr](http://elitescreens.com/csr) to create your own

The listed measurements are for general reference only. Please contact Elite Screens to verify product design and dimensions before attempting to integrate its products with any structural or furniture modification. Although a manufacturer may offer product advice, it may be taken or disregarded at the integrator's discretion. Elite Screens will not be held responsible or be otherwise liable for faulty installations.





# VMAX2 Series

- Enhanced Multi-Purpose Electric/Motorized Screen



## FEATURES & BENEFITS

### Screen Material:

- MaxWhite 1.1 Gain Screen Material is durable and easy to clean
- 160 degree wide viewing angle for commercial and residential presentations
- Black backed screen material eliminates light penetration for superior color reproduction
- Black masking enhances picture contrast

### Casing Finish and Installation:

- Durable metal casing
- Suitable for wall/ceiling installations
- Ships fully assembled with 3-prong power connection ready to Plug & Play
- Optional in ceiling trim kits and 6"-18" brackets available

### Motor System:

- Synchronized Motor is silent, energy efficient and enhances product longevity

### Control System:

- Radio Frequency (RF) remote has 100' range
- Infrared remote and wall switch
- Internal IR/RF low voltage receivers
- 5-12 volt trigger synchronizes with projector
- Adjustable vertical limit switch
- Optional In-wall up/down switch and wireless 5-12V controls available

### Quality and Reliability

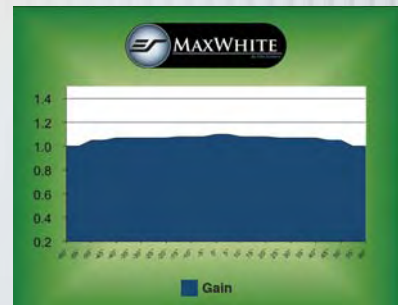
- Standard 2-year parts and labor warranty
- 3-year warranty for GEMR (Government, Education, Military and Religious) - US only
- ETL, FCC, CE, CB GOSTCE & ISO9001:2008 Certified





Internal Infrared (IR) and Radio Frequency (RF) Receivers provide total control while maintaining the streamlined simplicity of this product. For added durability and enhanced product appearance, the Elite VMAX2 Series uses an all-steel casing construction including the end caps. The VMAX2 has various control options that work in conjunction with its Low Voltage Controller (LVC). A 5-12V trigger port uses a standard RJ45 connection and synchronizes the screen's drop and rise with your projector's power cycle. The 3-way wall switch can be installed as an external wall-mounted control or use the extended IR "Eye" receiver for recessed ceiling installations.

Elite Screens MaxWhite screen material is easy to clean and durable for daily use. It comes with a 1.1 gain projection surface and 160° wide viewing angle, it is suitable for most applications from commercial presentations to home cinema. The material is black-backed to eliminate light penetration while its textured projection surface helps to eliminate Moiré or "hot spotting".



The VMAX2 Series comes with 2-30 inches of Top Black masking borders along with side and bottom masking to enhance the format of your presentation to avoid projection overshoot. The VMAX2 Series has pre-set but adjustable vertical limit switches for versatility in your drop/rise settings. There are three ways to install the VMAX2 Electric Screen

1. Wall Mount (Flush directly to wall or with optional 6" L bracket)
2. Ceiling Hook (use with or without our optional 6" L bracket)
3. In-Ceiling installation with our Optional In-Ceiling Trim Kit (Please refer to accessories list)



**VMAX2 Series: Multi-Function Electric Screen with IR/RF/Low Voltage 3-way Wall Switch/12V Trigger**

Model	Nominal Diagonal	View Height (in)	View Width (in)	View Height (cm)	View Width (cm)	UPS or FedEx	Net Weight (lbs)	Gross Weight (lbs)	Net Weight (kgs)	Gross Weight (kgs)	Packaging Dimension (LxHxW)	Gain	Screen Material	Case Color
VMAX99UWS2	99" (1:1)	70.0	70.0	177.8	177.8	Yes	19.6	24.2	8.9	11.0	84.65"x5.5"x5.5"	1.1	MaxWhite	Black
VMAX99XWS2	99" (1:1)	70.0	70.0	177.8	177.8	Yes	19.6	24.2	8.9	11.0	84.65"x5.5"x5.5"	1.1	MaxWhite	White
VMAX113UWS2	113" (1:1)	79.9	79.9	202.9	202.9	Yes	22.6	27.7	10.3	12.6	95.75"x5.5"x5.5"	1.1	MaxWhite	Black
VMAX113XWS2	113" (1:1)	79.9	79.9	202.9	202.9	Yes	22.6	27.7	10.3	12.6	95.75"x5.5"x5.5"	1.1	MaxWhite	White
VMAX119UWS2	119" (1:1)	84.1	84.1	213.6	213.6	Yes	23.5	28.5	10.7	12.9	99.53"x5.5"x5.5"	1.1	MaxWhite	Black
VMAX119XWS2	119" (1:1)	84.1	84.1	213.6	213.6	Yes	23.5	28.5	10.7	12.9	99.53"x5.5"x5.5"	1.1	MaxWhite	White
VMAX136UWS2	136" (1:1)	96.0	96.0	243.8	243.8	No	27.5	33.2	12.5	15.1	111.81"x5.5"x5.5"	1.1	MaxWhite	Black
VMAX136XWS2	136" (1:1)	96.0	96.0	243.8	243.8	No	27.5	33.2	12.5	15.1	111.81"x5.5"x5.5"	1.1	MaxWhite	White
VMAX153UWS2	153" (1:1)	108.2	108.2	274.8	274.8	No	32.6	38.6	14.8	17.5	123.75"x5.5"x5.5"	1.1	MaxWhite	Black
VMAX153XWS2	153" (1:1)	108.2	108.2	274.8	274.8	No	32.6	38.6	14.8	17.5	123.75"x5.5"x5.5"	1.1	MaxWhite	White
VMAX170UWS2	170" (1:1)	120.0	120.0	304.8	304.8	No	43.7	56.2	19.8	25.5	135"x6.5"x6.5"	1.1	MaxWhite	Black
VMAX170XWS2	170" (1:1)	120.0	120.0	304.8	304.8	No	43.7	56.2	19.8	25.5	135"x6.5"x6.5"	1.1	MaxWhite	White
VMAX84UWV2	84" (4:3)	50.4	67.2	128.0	170.7	Yes	18.0	22.3	8.2	10.1	82.5"x5.5"x5.5"	1.1	MaxWhite	Black
VMAX84XWV2	84" (4:3)	50.4	67.2	128.0	170.7	Yes	18.0	22.3	8.2	10.1	82.5"x5.5"x5.5"	1.1	MaxWhite	White
VMAX84XWV2-E30	84" (4:3)	50.4	67.2	128.0	170.7	Yes	19.4	24.1	8.8	10.9	82.5"x5.5"x5.5"	1.1	MaxWhite	White
VMAX92UWV2	92" (4:3)	55.2	73.6	140.2	186.9	Yes	21.2	26.0	9.6	11.8	87.75"x5.5"x5.5"	1.1	MaxWhite	Black
VMAX92XWV2	92" (4:3)	55.2	73.6	140.2	186.9	Yes	21.2	26.0	9.6	11.8	87.75"x5.5"x5.5"	1.1	MaxWhite	White
VMAX100UWV2	100" (4:3)	60.0	80.0	152.4	203.2	Yes	22.1	27.2	10.0	12.4	95.75"x5.5"x5.5"	1.1	MaxWhite	Black
VMAX100XWV2	100" (4:3)	60.0	80.0	152.4	203.2	Yes	22.1	27.2	10.0	12.4	95.75"x5.5"x5.5"	1.1	MaxWhite	White
VMAX100XWV2-E24	100" (4:3)	60.0	80.0	152.4	203.2	Yes	22.1	27.3	10.0	12.4	95.75"x5.5"x5.5"	1.1	MaxWhite	White
VMAX120UWV2	120" (4:3)	72.0	96.0	182.9	243.8	No	26.5	33.5	12.0	15.2	111.75"x5.5"x5.5"	1.1	MaxWhite	Black
VMAX120XWV2	120" (4:3)	72.0	96.0	182.9	243.8	No	26.5	33.5	12.0	15.2	111.75"x5.5"x5.5"	1.1	MaxWhite	White
VMAX120XWV2-E24	120" (4:3)	72.0	96.0	182.9	243.8	No	26.5	33.5	12.0	15.2	111.75"x5.5"x5.5"	1.1	MaxWhite	White
VMAX135UWV2	135" (4:3)	81.0	108.0	205.7	274.3	No	31.4	37.3	14.3	16.9	123.6"x5.5"x5.5"	1.1	MaxWhite	Black
VMAX135XWV2	135" (4:3)	81.0	108.0	205.7	274.3	No	31.4	37.3	14.3	16.9	123.6"x5.5"x5.5"	1.1	MaxWhite	White
VMAX135XWV2-E24	135" (4:3)	81.0	108.0	205.7	274.3	No	31.4	37.3	14.3	16.9	123.6"x5.5"x5.5"	1.1	MaxWhite	White
VMAX150UWV2	150" (4:3)	90.0	120.0	228.6	304.8	No	34.2	41.3	15.5	18.7	135.75"x5.5"x5.5"	1.1	MaxWhite	Black
VMAX150XWV2	150" (4:3)	90.0	120.0	228.6	304.8	No	34.2	41.3	15.5	18.7	135.75"x5.5"x5.5"	1.1	MaxWhite	White
VMAX150XWV2-E24	150" (4:3)	90.0	120.0	228.6	304.8	No	N/A	N/A	15.5	18.7	135.75"x5.5"x5.5"	1.1	MaxWhite	White
VMAX84UWH2	84" (16:9)	41.2	73.2	104.6	185.9	Yes	19.3	24.1	8.8	10.9	87.75"x5.5"x5.5"	1.1	MaxWhite	Black
VMAX84XWH2	84" (16:9)	41.2	73.2	104.6	185.9	Yes	19.3	24.1	8.8	10.9	87.75"x5.5"x5.5"	1.1	MaxWhite	White
VMAX84UWH2-E30	84" (16:9)	41.2	73.2	104.6	185.9	Yes	21.2	26.0	9.6	11.8	87.75"x5.5"x5.5"	1.1	MaxWhite	Black
VMAX92UWH2	92" (16:9)	45.1	80.2	114.6	203.7	Yes	21.5	26.5	9.7	12.0	95.75"x5.5"x5.5"	1.1	MaxWhite	Black
VMAX92UWH2-E30	92" (16:9)	45.1	80.2	114.6	203.7	Yes	22.0	27.1	10.0	12.3	95.75"x5.5"x5.5"	1.1	MaxWhite	Black
VMAX92XWH2	92" (16:9)	45.1	80.2	114.6	203.7	Yes	21.5	26.5	9.7	12.0	95.75"x5.5"x5.5"	1.1	MaxWhite	White
VMAX100UWH2	100" (16:9)	49.0	87.2	124.5	221.5	Yes	22.8	27.6	10.3	12.5	102.75"x5.5"x5.5"	1.1	MaxWhite	Black
VMAX100XWH2	100" (16:9)	49.0	87.2	124.5	221.5	Yes	22.8	27.6	10.3	12.5	102.75"x5.5"x5.5"	1.1	MaxWhite	White
VMAX106UWH2	106" (16:9)	52.0	92.4	132.1	234.7	No	22.9	28.5	10.4	12.9	108.19"x5.5"x5.5"	1.1	MaxWhite	Black
VMAX106UWH2-E24	106" (16:9)	52.0	92.4	132.1	234.7	No	23.9	29.5	10.8	13.4	108.19"x5.5"x5.5"	1.1	MaxWhite	Black
VMAX110UWH2	110" (16:9)	54.0	96.0	137.2	243.8	No	25.4	32.0	11.5	14.5	111.75"x5.5"x5.5"	1.1	MaxWhite	Black
VMAX110UWH2-E24	110" (16:9)	54.0	96.0	137.2	243.8	No	25.4	32.0	11.5	14.5	111.75"x5.5"x5.5"	1.1	MaxWhite	Black
VMAX120UWH2	121" (16:9)	58.9	104.6	149.6	265.7	No	27.7	31.5	12.5	14.3	120.5"x5.5"x5.5"	1.1	MaxWhite	Black
VMAX120UWH2-E24	121" (16:9)	58.9	104.6	149.6	265.7	No	27.7	33.4	12.5	15.1	120.5"x5.5"x5.5"	1.1	MaxWhite	Black
VMAX120XWH2	121" (16:9)	58.9	104.6	149.6	265.7	No	27.7	31.5	12.5	14.3	120.5"x5.5"x5.5"	1.1	MaxWhite	White
VMAX135UWH2	135" (16:9)	66.2	117.7	168.1	299.0	No	32.0	38.1	14.5	17.3	133.5"x5.5"x5.5"	1.1	MaxWhite	Black
VMAX135UWH2-E24	135" (16:9)	66.2	117.7	168.1	299.0	No	33.6	40.1	15.2	18.2	133.5"x5.5"x5.5"	1.1	MaxWhite	Black
VMAX135XWH2	135" (16:9)	66.2	117.7	168.1	299.0	No	32.0	38.1	14.5	17.3	133.5"x5.5"x5.5"	1.1	MaxWhite	White
VMAX150UWH2	150" (16:9)	73.6	130.7	186.9	332.0	No	35.8	43.0	16.2	19.5	146.75"x5.5"x5.5"	1.1	MaxWhite	Black
VMAX150XWH2	150" (16:9)	73.6	130.7	186.9	332.0	No	35.8	43.0	16.2	19.5	146.75"x5.5"x5.5"	1.1	MaxWhite	White
VMAX150UWH2-E24	150" (16:9)	73.6	130.7	186.9	332.0	No	35.8	43.0	16.2	19.5	146.75"x5.5"x5.5"	1.1	MaxWhite	Black
VMAX106UWX2	106" (16:10)	56.2	90.0	142.7	228.6	Yes	21.1	26.6	9.6	12.1	106"x5.5"x5.5"	1.1	MaxWhite	Black
VMAX106UWX2-E24	106" (16:10)	56.2	90.0	142.7	228.6	Yes	21.1	26.6	9.6	12.1	106"x5.5"x5.5"	1.1	MaxWhite	Black
VMAX128UWX2	128" (16:10)	67.8	108.4	172.2	275.3	No	26.2	32.1	11.9	14.6	123.6"x5.4"x5.4"	1.1	MaxWhite	Black
VMAX128UWX2-E20	128" (16:10)	67.8	108.4	172.2	275.3	No	26.2	32.1	11.9	14.6	123.6"x5.4"x5.4"	1.1	MaxWhite	Black

**VMAX2 AcousticPro Series: Multi-Function Acoustic Sound Transparent Electric Screen with IR/RF/Low Voltage 3-way Wall Box/12V Trigger**

Model	Nominal Diagonal	View Height (in)	View Width (in)	View Height (cm)	View Width (cm)	UPS or FedEx	Net Weight (lbs)	Gross Weight (lbs)	Net Weight (kgs)	Gross Weight (kgs)	Packaging Dimension (LxHxW)	Gain	Screen Material	Case Color
VMAX84UWH2-A	84" (16:9)	41.2	73.2	104.6	185.9	Yes	19.3	24.1	8.8	10.9	87.75"x5.5"x5.5"	1.0	AcousticPro	Black
VMAX100UWH2-A	100" (16:9)	49.1	87.2	124.7	221.5	Yes	22.8	27.6	10.3	12.5	102.75"x5.5"x5.5"	1.0	AcousticPro	Black
VMAX84UWH2-A1080	84" (16:9)	41.2	73.2	104.6	185.9	Yes	19.3	24.1	8.8	10.9	87.75"x5.5"x5.5"	1.0	AcousticPro1080	Black

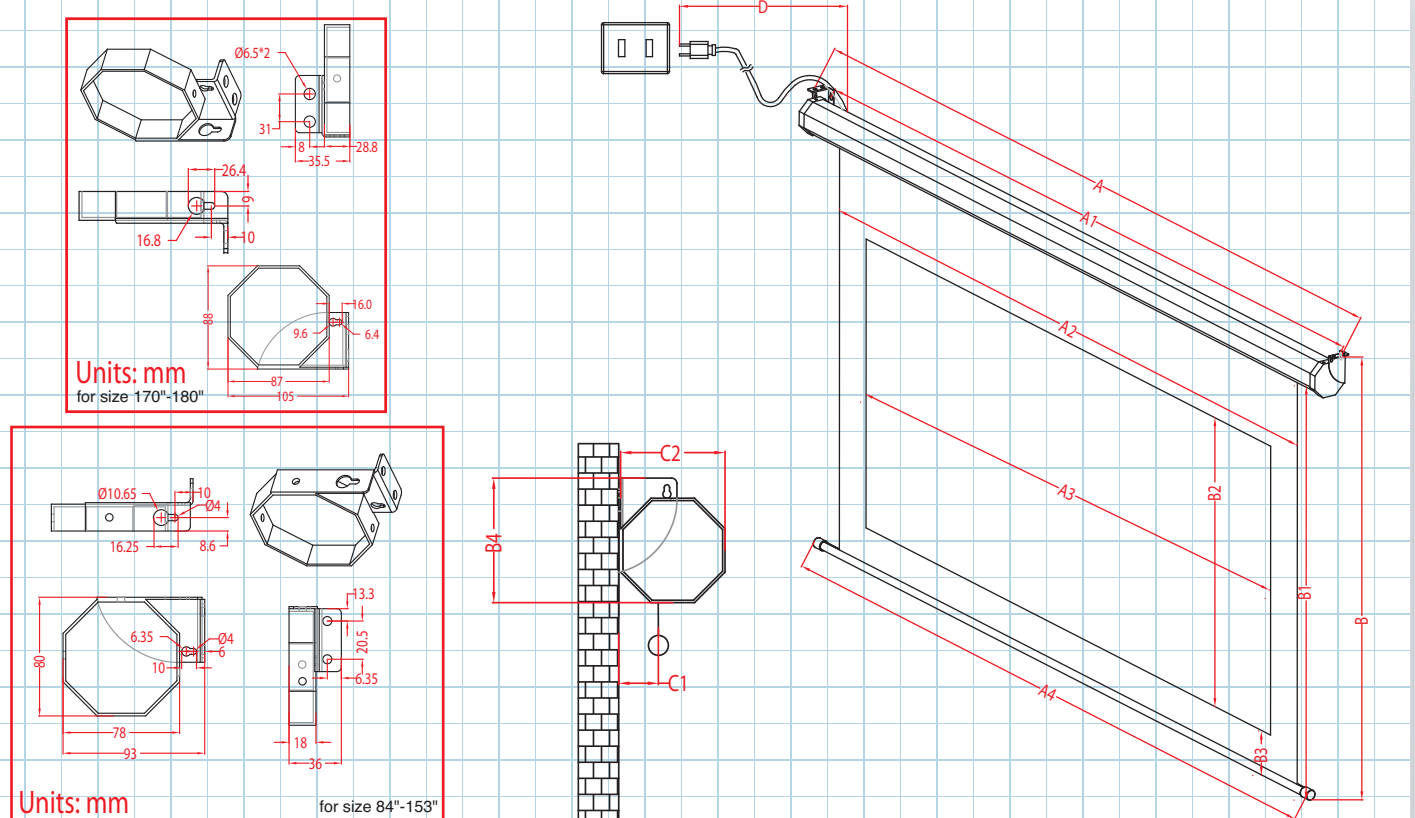
## VMAX2 Series Dimensions Table

VMAX2 Model	Screen Diag. & Aspect Ratio	Case Length (A)	End Cap Screw Hole Distance (A1)	Screen Width (A2)	View Width (A3)	Weight Bar Length (A4)	Bottom Edge Distance (B3)	Screen Material to Weight Bar (B1)	View Height (B2)	Overall Height (B)	End Cap Height (B4)	Screen Material to Wall Distance (C1)	End Cap Width (C2)	Power Cord Length (D)
84H	84" (16:9)	2168	2113	1936	1860	2021	95	1382	1046	1475	93	17	80	1800
84H-E30	84" (16:9)	2168	2113	1936	1860	2021	95	1903	1046	1996	93	17	80	1800
92H	92" (16:9)	2366	2311	2132	2032	2219	95	1380	1146	1473	93	17	80	1800
92H-E30	92" (16:9)	2366	2311	2132	2032	2219	95	2003	1146	2096	93	17	80	1800
100H	100" (16:9)	2544	2489	2314	2214	2397	95	1581	1245	1674	93	17	80	1800
106H	106" (16:9)	2687	2632	2447	2347	2540	95	1618	1320	1711	93	17	80	1800
106H-E24	106" (16:9)	2687	2632	2447	2347	2540	95	2025	1320	2118	93	17	80	1800
110H	110" (16:9)	2773	2718	2535	2435	2626	95	1617	1370	2168	93	17	80	1800
110H-E24	110" (16:9)	2773	2718	2535	2435	2626	95	2075	1370	N/A	93	17	80	1800
120H	120" (16:9)	2991	2936	2757	2657	2844	95	1728	1494	1821	93	17	80	1800
120H-E24	120" (16:9)	2991	2936	2757	2657	2844	95	2199	1494	2292	93	17	80	1800
135H	135" (16:9)	3323	3268	3089	2989	3176	95	1979	1681	2072	93	17	80	1800
135H-E24	135" (16:9)	3323	3268	3089	2989	3176	95	2387	1682	2480	93	17	80	1800
150H	150" (16:9)	3655	3600	3422	3322	3508	95	2064	1868	2157	93	17	80	1800
150H-E24	150" (16:9)	3655	3600	3422	3322	3508	95	2573	1868	N/A	93	17	80	1800
180H	180" (16:9)	4275	4220	4085	3985	4191	95	2489	2242	2582	105	17	89	2500
84V	84" (4:3)	2016	1961	1782	1706	1869	95	1616	1280	1709	93	17	80	1800
84V-E30	84" (4:3)	2016	1961	1782	1706	1869	95	2137	1280	2230	93	17	80	1800
92V	92" (4:3)	2178	2123	1969	1869	2002	95	1624	1402	1717	93	17	80	1800
100V	100" (4:3)	2366	2311	2132	2032	2219	95	1733	1524	1826	93	17	80	1800
100V-E24	100" (4:3)	2366	2311	2132	2032	2219	95	2229	1524	2322	93	17	80	1800
120V	120" (4:3)	2773	2718	2538	2438	2626	95	2012	1828	2105	93	17	80	1800
120V-E24	120" (4:3)	2773	2718	2538	2438	2626	95	2533	1828	2626	93	17	80	1800
135V	135" (4:3)	3077	3022	2843	2743	2930	95	2241	2057	2334	93	17	80	1800
135V-E24	135" (4:3)	3077	3022	2843	2743	2930	95	2762	2057	2855	93	17	80	1800
150V	150" (4:3)	3382	3327	3148	3048	3235	95	2470	2286	2563	93	17	80	1800
180V	180" (4:3)	3947.0	3892	3758	3658	3863	95	2939	2743	3032	105	17	89	2500
99S	99" (1:1)	2087	2032	1854	1778	1940	95	1949	1778	2042	93	17	80	1800
113S	113" (1:1)	2366	2311	2106	2030	2219	95	2188	2030	2281	93	17	80	1800
119S	119" (1:1)	2472	2417	2213	2137	2325	95	2308	2137	2401	93	17	80	1800
136S	136" (1:1)	2773	2718	2519	2443	2630	95	2601	2443	2694	93	17	80	1800
153S	153" (1:1)	3077	3022	2824	2748	2930	95	2906	2748	2999	93	17	80	1800
170S	170" (1:1)	3339.0	3284	3129	3053	3252	95	3198	3053	3291	105	17	89	2500
106X	106" (16:10)	2569.0	2514	2359	2283	2471	95	1674	1427	1767	93	17	80	1800
106X-E24	106" (16:10)	2669.0	2614	2459	2383	2471	95	2132	1427	N/A	93	17	80	1800
128X	128" (16:10)	3145.0	3090	2935	2859	2930	95	1970	1723	2063	93	17	80	1800
128X-E20	128" (16:10)	3043.0	2988	2833	2757	2930	95	2428	1723	N/A	93	17	80	1800

Unit: mm

Can't find size and ratio you're looking for? Visit [elitescreens.com/csr](http://elitescreens.com/csr) to create your own

The listed measurements are for general reference only. Please contact Elite Screens to verify product design and dimensions before attempting to integrate its products with any structural or furniture modification. Although a manufacturer may offer product advice, it may be taken or disregarded at the integrator's discretion. Elite Screens will not be held responsible or be otherwise liable for faulty installations.





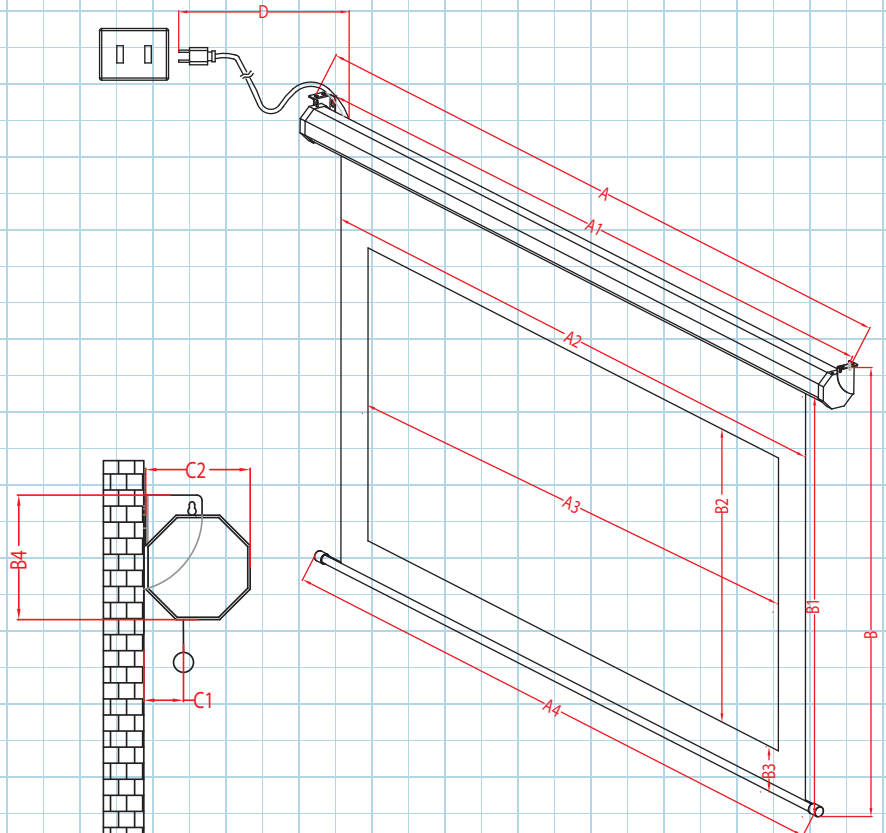
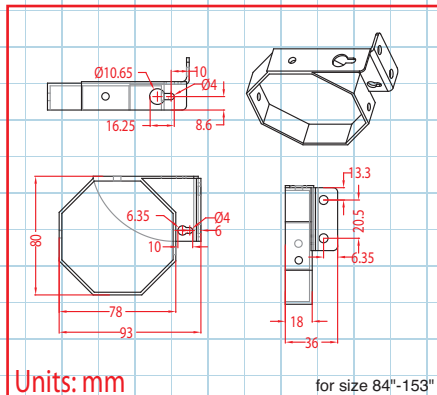
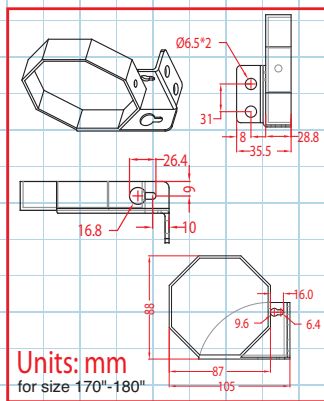
VMAX2 Series Dimensions Table

VMAX2 Model	Screen Diag. & Aspect Ratio	Case Length (A)	End Cap Screw Hole Distance (A1)	Screen Width (A2)	View Width (A3)	Weight Bar Length (A4)	Bottom Edge Distance (B3)	Screen Material to Weight Bar (B1)	View Height (B2)	Overall Height (B)	End Cap Height (B4)	Screen Material to Wall Distance (C1)	End Cap Width (C2)	Power Cord Length (D)
84H	84" (16:9)	85.4	83.2	76.2	73.2	79.6	3.7	54.4	41.2	58.1	3.7	0.7	3.1	70.9
84H-E30	84" (16:9)	85.4	83.2	76.2	73.2	79.6	3.7	74.9	41.2	78.6	3.7	0.7	3.1	70.9
92H	92" (16:9)	93.1	91.0	83.9	80.0	87.4	3.7	54.3	45.1	58.0	3.7	0.7	3.1	70.9
92H-E30	92" (16:9)	93.1	91.0	83.9	80.0	87.4	3.7	N/A	45.1	N/A	3.7	0.7	3.1	70.9
100H	100" (16:9)	100.2	98.0	91.1	87.2	94.4	3.7	62.2	49.0	65.9	3.7	0.7	3.1	70.9
106H	106" (16:9)	105.8	103.6	96.3	92.4	100.0	3.7	63.7	52.0	67.4	3.7	0.7	3.1	70.9
106H-E24	106" (16:9)	105.8	103.6	96.3	92.4	100.0	3.7	79.7	52.0	83.4	3.7	0.7	3.1	70.9
110H	110" (16:9)	109.2	107.0	99.8	95.9	103.4	3.7	63.7	53.9	85.4	3.7	0.7	3.1	70.9
110H-E24	110" (16:9)	109.2	107.0	99.8	95.9	103.4	3.7	81.7	53.9	N/A	3.7	0.7	3.1	70.9
120H	120" (16:9)	117.8	115.6	108.5	104.6	112.0	3.7	68.0	58.8	71.7	3.7	0.7	3.1	70.9
120H-E24	120" (16:9)	117.8	115.6	108.5	104.6	112.0	3.7	86.6	58.8	90.2	3.7	0.7	3.1	70.9
135H	135" (16:9)	130.8	128.7	121.6	117.7	125.0	3.7	77.9	66.2	81.6	3.7	0.7	3.1	70.9
135H-E24	135" (16:9)	130.8	128.7	121.6	117.7	125.0	3.7	94.0	66.2	97.6	3.7	0.7	3.1	70.9
150H	150" (16:9)	143.9	141.7	134.7	130.8	138.1	3.7	81.3	73.5	84.9	3.7	0.7	3.1	70.9
150H-E24	150" (16:9)	143.9	141.7	134.7	130.8	138.1	3.7	101.3	73.5	N/A	3.7	0.7	3.1	70.9
180H	180" (16:9)	168.3	166.1	160.8	156.9	165.0	3.7	98.0	88.3	101.7	4.1	0.7	3.5	98.4
84V	84" (4:3)	79.4	77.2	70.2	67.2	73.6	3.7	63.6	50.4	67.3	3.7	0.7	3.1	70.9
84V-E30	84" (4:3)	79.4	77.2	70.2	67.2	73.6	3.7	84.1	50.4	87.8	3.7	0.7	3.1	70.9
92V	92" (4:3)	85.7	83.6	77.5	73.6	78.8	3.7	63.9	55.2	67.6	3.7	0.7	3.1	70.9
100V	100" (4:3)	93.1	91.0	83.9	80.0	87.4	3.7	68.2	60.0	71.9	3.7	0.7	3.1	70.9
100V-E24	100" (4:3)	93.1	91.0	83.9	80.0	87.4	3.7	87.8	60.0	91.4	3.7	0.7	3.1	70.9
120V	120" (4:3)	109.2	107.0	99.9	96.0	103.4	3.7	79.2	72.0	82.9	3.7	0.7	3.1	70.9
120V-E24	120" (4:3)	109.2	107.0	99.9	96.0	103.4	3.7	99.7	72.0	103.4	3.7	0.7	3.1	70.9
135V	135" (4:3)	121.1	119.0	111.9	108.0	115.4	3.7	88.2	81.0	91.9	3.7	0.7	3.1	70.9
135V-E24	135" (4:3)	121.1	119.0	111.9	108.0	115.4	3.7	108.7	81.0	112.4	3.7	0.7	3.1	70.9
150V	150" (4:3)	133.1	131.0	123.9	120.0	127.4	3.7	97.2	90.0	100.9	3.7	0.7	3.1	70.9
180V	180" (4:3)	155.4	153.2	148.0	144.0	152.1	3.7	115.7	108.0	119.4	4.1	0.7	3.5	98.4
99S	99" (1:1)	82.2	80.0	73.0	70.0	76.4	3.7	76.7	70.0	80.4	3.7	0.7	3.1	70.9
113S	113" (1:1)	93.1	91.0	82.9	79.9	87.4	3.7	86.1	79.9	89.8	3.7	0.7	3.1	70.9
119S	119" (1:1)	97.3	95.2	87.1	84.1	91.5	3.7	90.9	84.1	94.5	3.7	0.7	3.1	70.9
136S	136" (1:1)	109.2	107.0	99.2	96.2	103.5	3.7	102.4	96.2	106.1	3.7	0.7	3.1	70.9
153S	153" (1:1)	121.1	119.0	111.2	108.2	115.4	3.7	114.4	108.2	118.1	3.7	0.7	3.1	70.9
170S	170" (1:1)	131.5	129.3	123.2	120.2	128.0	3.7	125.9	120.2	129.6	4.1	0.7	3.5	98.4
106X	106" (16:10)	101.1	99.0	92.9	89.9	97.3	3.7	65.9	56.2	69.6	3.7	0.7	3.1	70.9
106X-E24	106" (16:10)	101.1	99.0	92.9	89.9	97.3	3.7	83.9	56.2	N/A	3.7	0.7	3.1	70.9
128X	128" (16:10)	119.8	117.6	111.5	108.5	115.4	3.7	77.6	67.8	81.2	3.7	0.7	3.1	70.9
128X-E20	128" (16:10)	119.8	117.6	111.5	108.5	115.4	3.7	95.6	67.8	N/A	3.7	0.7	3.1	70.9

Unit: inch

Can't find size and ratio you're looking for? Visit [elitescreens.com/csr](http://elitescreens.com/csr) to create your own

The listed measurements are for general reference only. Please contact Elite Screens to verify product design and dimensions before attempting to integrate its products with any structural or furniture modification. Although a manufacturer may offer product advice, it may be taken or disregarded at the integrator's discretion. Elite Screens will not be held responsible or be otherwise liable for faulty installations.



# Home2 Series

- Premium Grade Front Projection Screen
- Electric/Motorized Wall/Ceiling Screens



## FEATURES & BENEFITS

### Screen Material:

- MaxWhite Fiber-Glass 1.1 Gain Screen Material is flat, durable and easy to clean
- AcousticPro1080 1.0 Gain Screen material for acoustically transparent applications.
- 160 degree wide-viewing angle for commercial and residential presentations
- Black masking enhances picture contrast
- 4 side black masking border to enhance contrast ratio and avoid overscan from projector

### Casing and Installation:

- Aluminum Case Enclosure with enamel coating is moisture resistant.
- Floating brackets are made for easy alignment for a wall or ceiling installation
- Ships fully assembled with 3-prong power connection ready to Plug & Play
- Side-Sliding motor design for easy access service & maintenance

### Flatness Treatment & Motor System:

- Fiberglass-backed material has added flatness
- Tubular motor allows swift operation with a superior weight tolerance and operational lifespan

### Control System:

- Infrared & Radio Frequency remote controls and wall switch
- Internal IR/RF low voltage receivers
- 5-12 volt trigger synchronizes with projector
- Adjustable vertical limit switch
- Optional In-wall up/down switch and wireless 5-12V controls available

### Quality and Reliability:

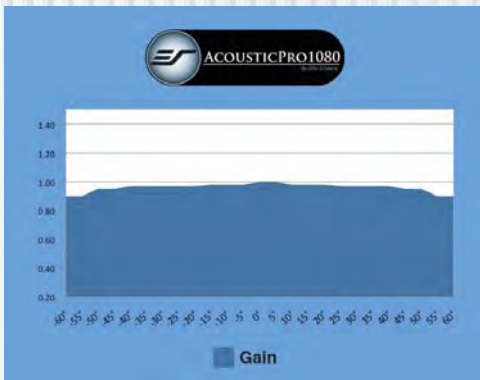
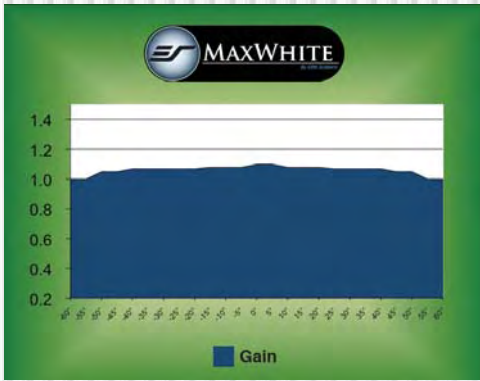
- Standard 2-year parts and labor warranty
- 3-year warranty for GEMR (Government, Education, Military and Religious) - US only
- ETL, FCC, CE, CB GOSTCE & ISO9001:2008 Certified



A Built-In Infrared and Radio Frequency Receiver streamlines your wall/ceiling installation.

Internal-In Low Voltage Controller (LVC) with RJ45 port connects the 5-12 volt trigger to synchronize the drop/rise cycle of your screen with the projector's power cycle. Extend this port using CAT-5 cable to anywhere in the room. An in-line wall switch is included for additional control.





Elite Screens' **MaxWhite FG** synthetic screen material is durable for daily use and easy to clean. It has a wide viewing angle (160°) with 1.1 Gain, for commercial or home theater presentation.

This brand has a special Fiber Glass backing to provide additional flatness and black backing to prevent light penetration along with a textured pattern to eliminate Moiré or "hot spotting".

**AcousticPro1080™** is fiberglass backed and utilizes an acoustically transparent weave material that prevents sound absorption while its 1.0 gain wide diffusion material provides quality color reproduction and image clarity.

It is made for use with in-wall speakers and in commercial and residential applications

#### Home2 AcousticPro Series: Premium Electric Acoustic Sound Transparent Screen with IR/RF/Low Voltage 3-Way Wall box/12V Trigger

Model	Nominal Diagonal	View Height (in)	View Width (in)	View Height (cm)	View Width (cm)	UPS or FedEx	Net Weight (lbs)	Gross Weight (lbs)	Net Weight (kgs)	Gross Weight (kgs)	Packaging Dimension (LxHxW)	Gain	Screen Material	Optional Trim Kit
Home90IWH2-A	90" (16:9)	44.1	78.4	112.0	199.1	Yes	25.4	37.6	11.5	17.5	94" x 7" x 8"	1.0	AcousticPro	ZCHome92H
Home100IWH2-A	100" (16:9)	49.1	87.2	124.7	221.5	Yes	30.1	43.3	13.6	19.6	103.75" x 7" x 8"	1.0	AcousticPro	ZCHome100H
Home120IWH2-A	120" (16:9)	58.9	104.6	149.6	265.7	Yes	35.5	50.6	16.1	22.9	121.75" x 7" x 8"	1.0	AcousticPro	ZCHome120H
Home135HW2-A	135" (16:9)	66.2	117.7	168.1	299.0	No	41.9	57.3	19.0	26.0	134.75"X7"X8"	1.0	AcousticPro	ZCHome135H
Home150HW2-A	150" (16:9)	73.6	130.7	186.9	332.0	No	45.2	62.8	20.5	28.5	148"X7"X8"	1.0	AcousticPro	ZCHome150H
Home90IWH2-A1080	90" (16:9)	44.1	78.4	112.0	199.1	Yes	25.4	37.6	11.5	17.5	94" x 7" x 8"	1.0	AcousticPro1080	ZCHome90H
Home100IWH2-A1080	100" (16:9)	49.1	87.2	124.7	221.5	Yes	30.1	43.3	13.6	19.6	103.75" x 7" x 8"	1.0	AcousticPro1080	ZCHome100H
Home120IWH2-A1080	120" (16:9)	58.9	104.6	149.6	265.7	Yes	35.5	50.6	16.1	22.9	121.75" x 7" x 8"	1.0	AcousticPro1080	ZCHome120H
Home135HW2-A1080	135" (16:9)	66.2	117.7	168.1	299.0	No	41.9	57.3	19.0	26.0	134.75"X7"X8"	1.0	AcousticPro1080	ZCHome135H
Home150HW2-A1080	150" (16:9)	73.6	130.7	186.9	332.0	No	45.2	62.8	20.5	28.5	148"X7"X8"	1.0	AcousticPro1080	ZCHome150H



Optional Elite ZR800D Universal Learning Remote Control allows one control regulation over your entertainment system managing up to 8 devices simultaneously. Each unit has a simplified programming option with learning function to accompany 800 pre-programmed TV/DVD/VCR codes.

Home2 Series: Premium Electric/Motorized Screen with IR/RF/Low Voltage 3-Way Box/12V Trigger

Model	Nominal Diagonal	View Height (in)	View Width (in)	View Height (cm)	View Width (cm)	UPS or FedEx	Net Weight (lbs)	Gross Weight (lbs)	Net Weight (kgs)	Gross Weight (kgs)	Packaging Dimension (LxHxW)	Gain	Screen Material	Optional Trim Kit
Home80IWS2	81" (1:1)	57.0	57.0	144.8	144.8	Yes	20.3	29.9	9.2	13.6	72.25" x 7" x 8"	1.1	MaxWhite-FG	ZCHome80S
Home100IWS2	101" (1:1)	71.0	71.0	180.3	180.3	Yes	24.1	35.8	10.9	16.2	87.75" x 7" x 8"	1.1	MaxWhite-FG	ZCH100S-H90V
Home120IWS2	121" (1:1)	85.0	85.0	215.9	215.9	Yes	29.4	41.7	13.3	18.9	101.46" x 7" x 8"	1.1	MaxWhite-FG	ZCHome120S
Home135IWS2	135" (1:1)	95.5	95.5	242.6	242.6	No	37.7	51.6	17.1	23.4	112.25" x 7" x 8"	1.1	MaxWhite-FG	ZCHome135S
Home150IWS2	150" (1:1)	106.0	106.0	269.2	269.2	No	38.8	54.0	17.6	24.5	122.5" x 6.8" x 7.8"	1.1	MaxWhite-FG	ZCHome150S
Home165IWS2	165" (1:1)	117.0	117.0	297.2	297.2	No	55.3	75.0	25.1	34.0	135.3" x 7.5" x 9.5"	1.1	MaxWhite-FG	N/A
Home200IWS2	200" (1:1)	141.0	141.0	358.1	358.1	No	62.4	86.4	28.3	39.2	161.5" x 7.5" x 9.5"	1.1	MaxWhite-FG	N/A
Home75IWW2	75" (4:3)	45.0	60.0	114.3	152.4	Yes	22.4	33.1	10.2	15.0	75.75" x 6.75" x 8"	1.1	MaxWhite-FG	ZCHome75V
Home90IWW2	90" (4:3)	54.0	72.0	137.2	182.9	Yes	23.8	35.6	10.8	16.1	87.75" x 7" x 8"	1.1	MaxWhite-FG	ZCH100S-H90V
Home100IWW2	100" (4:3)	60.0	80.0	152.4	203.2	Yes	26.0	38.7	11.8	17.5	96.75" x 7" x 8"	1.1	MaxWhite-FG	ZCHome100V
Home120IWW2	120" (4:3)	72.0	96.0	182.9	243.8	No	31.8	48.2	14.4	21.8	112.75" x 7" x 8"	1.1	MaxWhite-FG	ZCHome120V
Home135IWW2	135" (4:3)	81.0	108.0	205.7	274.3	No	35.2	49.8	16.0	22.6	124.44" x 7" x 8"	1.1	MaxWhite-FG	ZCHome135V
Home150IWW2	150" (4:3)	90.0	120.0	228.6	304.8	No	41.6	59.0	18.9	26.7	137" x 7" x 8"	1.1	MaxWhite-FG	ZCHome150V
Home75IWH2	75" (16:9)	36.8	65.4	93.5	166.1	Yes	22.4	34.2	10.2	15.5	81" x 7" x 8"	1.1	MaxWhite-FG	ZCHome75H
Home75IWH2-E30	75" (16:9)	36.8	65.4	93.5	166.1	Yes	23.6	34.7	10.7	15.8	81" x 7" x 8"	1.1	MaxWhite-FG	ZCHome75H
Home90IWH2	90" (16:9)	44.1	78.4	112.0	199.1	Yes	27.9	40.2	12.6	18.2	94" x 7" x 8"	1.1	MaxWhite-FG	ZCHome90H
Home90IWH2-E30	90" (16:9)	44.1	78.4	112.0	199.1	Yes	28.6	40.9	13.0	18.6	94" x 7" x 8"	1.1	MaxWhite-FG	ZCHome90H
Home100IWH2	100" (16:9)	49.1	87.2	124.7	221.5	Yes	27.9	40.2	12.7	18.2	103.75" x 7" x 8"	1.1	MaxWhite-FG	ZCHome100H
Home100IWH2-E24	100" (16:9)	49.1	87.2	124.7	221.5	Yes	31.6	44.0	14.3	20.0	103.75" x 7" x 8"	1.1	MaxWhite-FG	ZCHome100H
Home120IWH2	120" (16:9)	58.9	104.6	149.6	265.7	No	35.6	50.6	16.2	22.9	121.75" x 7" x 8"	1.1	MaxWhite-FG	ZCHome120H
Home120IWH2-E24	120" (16:9)	58.9	104.6	149.6	265.7	No	35.6	50.6	16.2	22.9	121.75" x 7" x 8"	1.1	MaxWhite-FG	ZCHome120H
Home135IWH2	135" (16:9)	66.2	117.7	168.1	299.0	No	41.9	57.3	19.0	26.0	134.75" x 7" x 8"	1.1	MaxWhite-FG	ZCHome135H
Home180IWH2-E24	150" (16:9)	88.3	156.9	224.3	398.5	No	66.1	89.3	30.0	40.5	175.75" x 7.5" x 9.5"	1.1	MaxWhite-FG	N/A



Home2 Series screens come with side/bottom masking and adjustable 2"-6" top masking borders with 24"-30" extended drop models available.

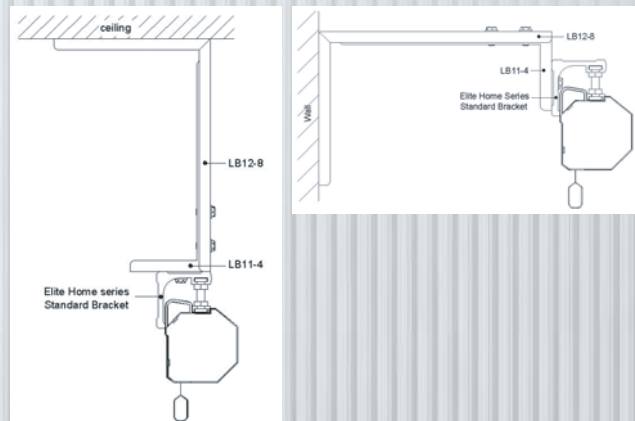
\*The screen's vertical drop/rise limits are adjustable for optimal visibility. Please contact our Tech Support for more information about this feature.

Sliding Brackets provide easy alignment with wood studs for easy wall/ceiling installations.

Optional 11" x 4" and 12" x 8" Extended Brackets can allow more flexibility when spacing the screen out from the wall.



Optional In-Ceiling Trim Kit for Home2, CineTension2, Spectrum, VMAX2 and Osprey Tension Dual



ZHOMELB11-4

Standard Wall/Ceiling Brackets



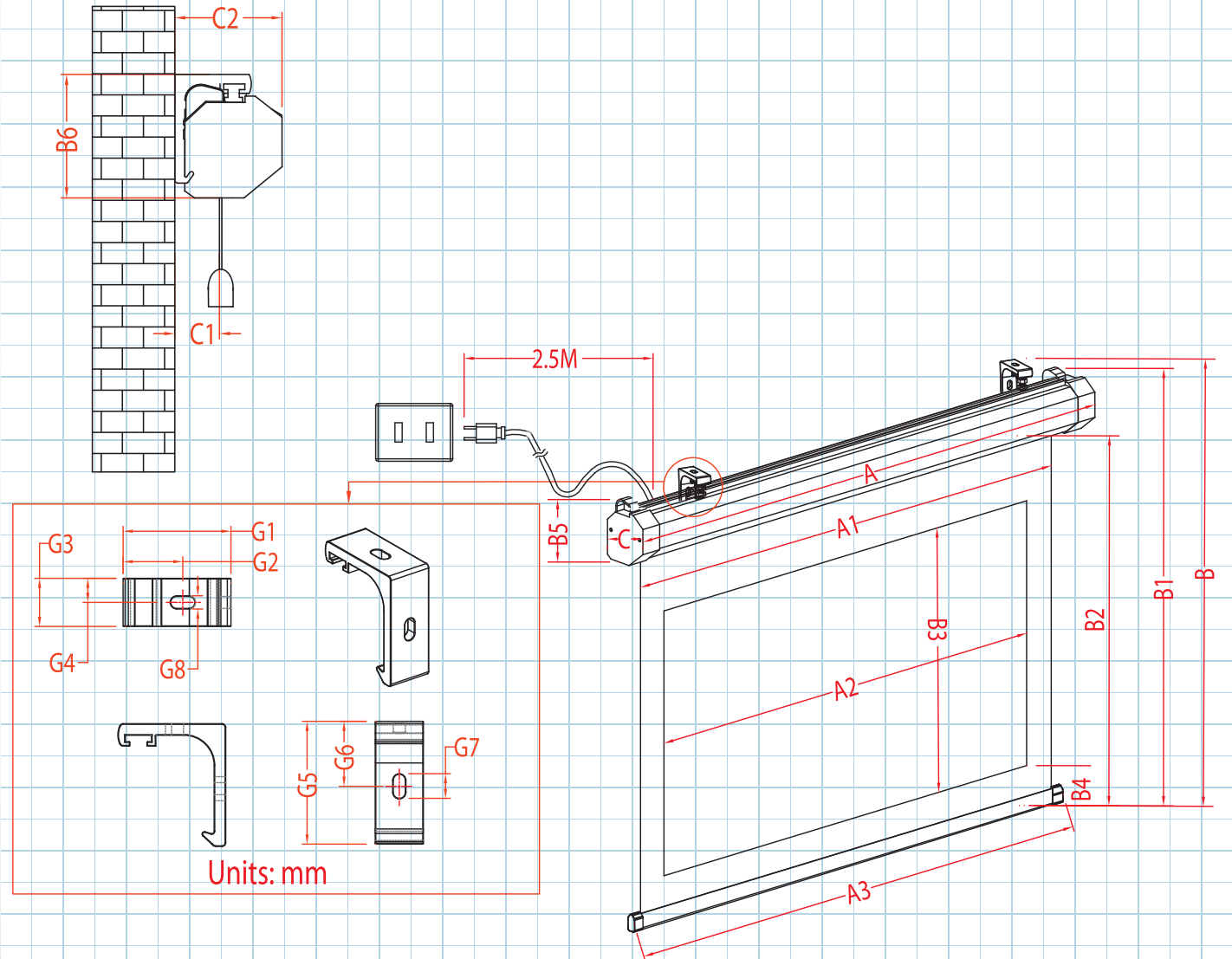
### Home2 Series Dimensions Table

Model	Screen Diag. & Aspect Ratio	Case Length (A)	Screen Width (A1)	View Width (A2)	Weight Bar Length (A3)	Bottom Edge (B4)	Screen Material to Weight Bar Height (B2)	View Height (B3)	Overall Height (B1)	Overall Height w/Bracket (B)	Case Height (B5)	Height between bracket & Case (B6)	Case Width (C)	Case End to Screen (C1)	Distance between case & wall (C2)	G1	G2	G3	G4	G5	G6	G7	G8
Home80IWS2	81" (1:1)	1684.0	1524.0	1447.8	1572	68.6	1567.2	1447.8	1676.4	1717.0	94.0	130.0	97.0	35.0	105.0	70.0	37.1	22.0	12.0	73.5	40	20	10
Home100IWS2	101" (1:1)	2039.6	1879.6	1803.4	1953	68.6	1922.8	1803.4	2032.0	2072.6	94.0	130.0	97.0	35.0	105.0	70.0	37.1	22.0	12.0	73.5	40	20	10
Home120IWS2	121" (1:1)	2395.2	2235.2	2159.0	2308	68.6	2278.4	2159.0	2387.6	2428.2	94.0	130.0	97.0	35.0	105.0	70.0	37.1	22.0	12.0	73.5	40	20	10
Home135IWS2	135" (1:1)	2661.9	2501.9	2425.7	2575	68.6	2545.1	2425.7	2654.3	2694.9	94.0	130.0	97.0	35.0	105.0	70.0	37.1	22.0	12.0	73.5	40	20	10
Home150IWS2	150" (1:1)	2928.6	2768.6	2692.4	2842	68.6	2811.8	2692.4	2921.0	2961.6	94.0	130.0	97.0	35.0	105.0	70.0	37.1	22.0	12.0	73.5	40	20	10
Home165IWS	166" (1:1)	3246.1	3073.4	2971.8	3112	81.3	3154.7	2971.8	3289.3	3340.1	116.0	175.0	128.0	39.0	132.0	87.0	47.0	35.0	17.5	103.0	55	20	9.9
Home200IWS2	200" (1:1)	3865.9	3693.2	3591.6	3740	81.3	3774.4	3591.6	3909.1	3959.9	116.0	175.0	128.0	39.0	132.0	87.0	47.0	35.0	17.5	103.0	55	20	10
Home75IWW2	75" (4:3)	1760.2	1600.2	1524.0	1648	68.6	1262.4	1143.0	1371.6	1412.2	94.0	130.0	97.0	35.0	105.0	70.0	37.1	22.0	12.0	73.5	40	20	10
Home90IWW2	90" (4:3)	2065.0	1905.0	1828.8	1953	68.6	1491.0	1371.6	1600.2	1640.8	94.0	130.0	97.0	35.0	105.0	70.0	37.1	22.0	12.0	73.5	40	20	10
Home100IWW2	100" (4:3)	2268.2	2108.2	2032.0	2181	68.6	1643.4	1524.0	1752.6	1793.2	94.0	130.0	97.0	35.0	105.0	70.0	37.1	22.0	12.0	73.5	40	20	10
Home120IWW2	120" (4:3)	2674.6	2514.6	2438.4	2588	68.6	1948.2	1828.8	2057.4	2098.0	94.0	130.0	97.0	35.0	105.0	70.0	37.1	22.0	12.0	73.5	40	20	10
Home135IWW2	135" (4:3)	2979.4	2819.4	2743.2	2892	68.6	2176.8	2057.4	2286.0	2326.6	94.0	130.0	97.0	35.0	105.0	70.0	37.1	22.0	12.0	73.5	40	20	10
Home150IWW2	150" (4:3)	3284.2	3124.2	3048.0	3197	68.6	2405.4	2286.0	2514.6	2555.2	94.0	130.0	97.0	35.0	105.0	70.0	37.1	22.0	12.0	73.5	40	20	10
Home180IWW2	180" (4:3)	3931.9	3759.2	3657.6	3806	81.3	2926.1	2743.2	3060.7	3111.5	116.0	175.0	128.0	39.0	132.0	87.0	47.0	35.0	17.5	103.0	55	20	10
Home75IWH2	75" (16:9)	1896.2	1736.2	1660.0	1782	68.6	1103.2	933.0	1212.4	1253.0	94.0	130.0	97.0	35.0	105.0	70.0	37.1	22.0	12.0	73.5	40	20	10
Home75IWH2-E30	75" (16:9)	1896.2	1736.2	1660.0	1782	68.6	1763.6	933.0	1872.8	1913.4	94.0	130.0	97.0	35.0	105.0	70.0	37.1	22.0	12.0	73.5	40	20	10
Home90IWH2	90" (16:9)	2227.2	2067.2	1991.0	2116	68.6	1291.2	1121.0	1400.4	1441.0	94.0	130.0	97.0	35.0	105.0	70.0	37.1	22.0	12.0	73.5	40	20	10
Home90IWH2-E30	90" (16:9)	2227.2	2067.2	1991.0	2116	68.6	1951.6	1121.0	2060.8	2101.4	94.0	130.0	97.0	35.0	105.0	70.0	37.1	22.0	12.0	73.5	40	20	10
Home100IWH2	100" (16:9)	2445.2	2285.2	2209.0	2356	68.6	1415.2	1245.0	1524.4	1565.0	94.0	130.0	97.0	35.0	105.0	70.0	37.1	22.0	12.0	73.5	40	20	10
Home100IWH2-E24	100" (16:9)	2445.2	2285.2	2209.0	2356	68.6	1923.2	1245.0	2032.4	2073.0	94.0	130.0	97.0	35.0	105.0	70.0	37.1	22.0	12.0	73.5	40	20	10
Home120IWH2	120" (16:9)	2892.2	2732.2	2656.0	2816	68.6	1664.2	1494.0	1773.4	1814.0	94.0	130.0	97.0	35.0	105.0	70.0	37.1	22.0	12.0	73.5	40	20	10
Home120IWH2-E24	120" (16:9)	2892.2	2732.2	2656.0	2816	68.6	2172.2	1494.0	2281.4	2322.0	94.0	130.0	97.0	35.0	105.0	70.0	37.1	22.0	12.0	73.5	40	20	10
Home135IWH2	135" (16:9)	3225.2	3065.2	2989.0	3146	68.6	1851.2	1681.0	1960.4	2001.0	94.0	130.0	97.0	35.0	105.0	70.0	37.1	22.0	12.0	73.5	40	20	10
Home180IWH2	180" (16:9)	4259.3	4086.6	3985.0	4133	81.3	2475.7	2242.0	2610.3	2661.1	116.0	175.0	128.0	39.0	132.0	87.0	47.0	35.0	17.5	103.0	55	20	10

Unit: mm

Can't find size and ratio you're looking for? Visit [elitescreens.com/csr](http://elitescreens.com/csr) to create your own

The listed measurements are for general reference only. Please contact Elite Screens to verify product design and dimensions before attempting to integrate its products with any structural or furniture modification. Although a manufacturer may offer product advice, it may be taken or disregarded at the integrator's discretion. Elite Screens will not be held responsible or be otherwise liable for faulty installations.



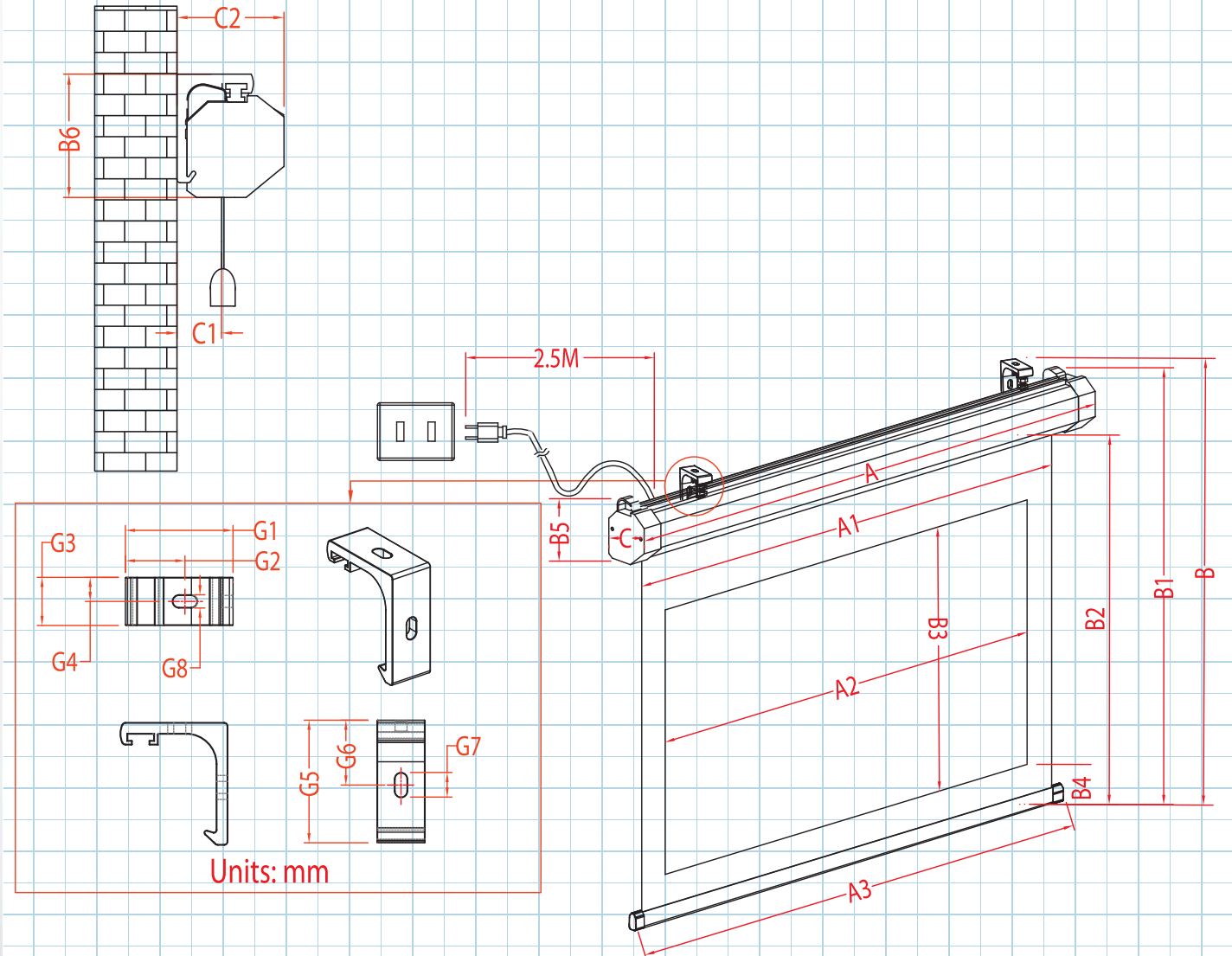
### Home2 Series Dimensions Table

Model	Screen Diag. & Aspect Ratio	Case Length (A)	Screen Width (A1)	View Width (A2)	Weight Bar Length (A3)	Bottom Edge (B4)	Screen Material to Weight Bar Height (B2)	View Height (B3)	Overall Height (B1)	Overall Height w/Bracket (B)	Case Height (B5)	Height Between bracket & Case (B6)	Case Width (C)	Case End to Screen (C1)	Distance between case & wall (C2)	G1	G2	G3	G4	G5	G6	G7	G8
Home80IWS2	81" (1:1)	66.3	60.0	57.0	61.9	2.7	61.7	57.0	66.0	67.6	3.7	5.1	3.8	1.4	4.1	2.8	1.5	0.9	0.5	2.9	1.6	0.8	0.4
Home100IWS2	101" (1:1)	80.3	74.0	71.0	75.9	2.7	75.7	71.0	80.0	81.6	3.7	5.1	3.8	1.4	4.1	2.8	1.5	0.9	0.5	2.9	1.6	0.8	0.4
Home120IWS2	121" (1:1)	94.3	88.0	85.0	89.9	2.7	89.7	85.0	94.0	95.6	3.7	5.1	3.8	1.4	4.1	2.8	1.5	0.9	0.5	2.9	1.6	0.8	0.4
Home135IWS2	135" (1:1)	104.8	98.5	95.5	100.4	2.7	100.2	95.5	104.5	106.1	3.7	5.1	3.8	1.4	4.1	2.8	1.5	0.9	0.5	2.9	1.6	0.8	0.4
Home150IWS2	150" (1:1)	115.3	109.0	106.0	110.9	2.7	110.7	106.0	115.0	116.6	3.7	5.1	3.8	1.4	4.1	2.8	1.5	0.9	0.5	2.9	1.6	0.8	0.4
Home165IWS	166" (1:1)	127.8	121.0	117.0	122.9	3.2	124.2	117.0	129.5	131.5	4.6	6.9	5.0	1.5	5.2	3.4	1.9	1.4	0.7	4.1	2.2	0.8	0.4
Home200IWS2	200" (1:1)	152.2	145.4	141.4	147.3	3.2	148.6	141.4	153.9	155.9	4.6	6.9	5.0	1.5	5.2	3.4	1.9	1.4	0.7	4.1	2.2	0.8	0.4
Home75IWW2	75" (4:3)	69.3	63.0	60.0	64.9	2.7	49.7	45.0	54.0	55.6	3.7	5.1	3.8	1.4	4.1	2.8	1.5	0.9	0.5	2.9	1.6	0.8	0.4
Home90IWW2	90" (4:3)	81.3	75.0	72.0	76.9	2.7	58.7	54.0	63.0	64.6	3.7	5.1	3.8	1.4	4.1	2.8	1.5	0.9	0.5	2.9	1.6	0.8	0.4
Home100IWW2	100" (4:3)	89.3	83.0	80.0	84.9	2.7	64.7	60.0	69.0	70.6	3.7	5.1	3.8	1.4	4.1	2.8	1.5	0.9	0.5	2.9	1.6	0.8	0.4
Home120IWW2	120" (4:3)	105.3	99.0	96.0	100.9	2.7	76.7	72.0	81.0	82.6	3.7	5.1	3.8	1.4	4.1	2.8	1.5	0.9	0.5	2.9	1.6	0.8	0.4
Home135IWW2	135" (4:3)	117.3	111.0	108.0	112.9	2.7	85.7	81.0	90.0	91.6	3.7	5.1	3.8	1.4	4.1	2.8	1.5	0.9	0.5	2.9	1.6	0.8	0.4
Home150IWW2	150" (4:3)	129.3	123.0	120.0	124.9	2.7	94.7	90.0	99.0	100.6	3.7	5.1	3.8	1.4	4.1	2.8	1.5	0.9	0.5	2.9	1.6	0.8	0.4
Home180IWW2	180" (4:3)	154.8	148.0	144.0	149.9	3.2	115.2	108.0	120.5	122.5	4.6	6.9	5.0	1.5	5.2	3.4	1.9	1.4	0.7	4.1	2.2	0.8	0.4
Home75IWH2	75" (16:9)	74.7	68.4	65.4	70.3	2.7	43.4	36.7	47.7	49.3	3.7	5.1	3.8	1.4	4.1	2.8	1.5	0.9	0.5	2.9	1.6	0.8	0.4
Home75IWH2-E30	75" (16:9)	74.7	68.4	65.4	70.3	2.7	69.4	36.7	73.7	75.3	3.7	5.1	3.8	1.4	4.1	2.8	1.5	0.9	0.5	2.9	1.6	0.8	0.4
Home90IWH2	90" (16:9)	87.7	81.4	78.4	83.3	2.7	50.8	44.1	55.1	56.7	3.7	5.1	3.8	1.4	4.1	2.8	1.5	0.9	0.5	2.9	1.6	0.8	0.4
Home90IWH2-E30	90" (16:9)	87.7	81.4	78.4	83.3	2.7	76.8	44.1	81.1	82.7	3.7	5.1	3.8	1.4	4.1	2.8	1.5	0.9	0.5	2.9	1.6	0.8	0.4
Home100IWH2	100" (16:9)	96.3	90.0	87.0	91.9	2.7	55.7	49.0	60.0	61.6	3.7	5.1	3.8	1.4	4.1	2.8	1.5	0.9	0.5	2.9	1.6	0.8	0.4
Home100IWH2-E24	100" (16:9)	96.3	90.0	87.0	91.9	2.7	75.7	49.0	80.0	81.6	3.7	5.1	3.8	1.4	4.1	2.8	1.5	0.9	0.5	2.9	1.6	0.8	0.4
Home120IWH2	120" (16:9)	113.9	107.6	104.6	109.5	2.7	65.5	58.8	69.8	71.4	3.7	5.1	3.8	1.4	4.1	2.8	1.5	0.9	0.5	2.9	1.6	0.8	0.4
Home120IWH2-E24	120" (16:9)	113.9	107.6	104.6	109.5	2.7	85.5	58.8	89.8	91.4	3.7	5.1	3.8	1.4	4.1	2.8	1.5	0.9	0.5	2.9	1.6	0.8	0.4
Home135IWH2	135" (16:9)	127.0	120.7	117.7	122.6	2.7	72.9	66.2	77.2	78.8	3.7	5.1	3.8	1.4	4.1	2.8	1.5	0.9	0.5	2.9	1.6	0.8	0.4
Home180IWH2	180" (16:9)	167.7	160.9	156.9	162.8	3.2	97.5	88.3	102.8	104.8	4.6	6.9	5.0	1.5	5.2	3.4	1.9	1.4	0.7	4.1	2.2	0.8	0.4

Unit: inch

Can't find size and ratio you're looking for? Visit [elitescreens.com/csr](http://elitescreens.com/csr) to create your own

The listed measurements are for general reference only. Please contact Elite Screens to verify product design and dimensions before attempting to integrate its products with any structural or furniture modification. Although a manufacturer may offer product advice, it may be taken or disregarded at the integrator's discretion. Elite Screens will not be held responsible or be otherwise liable for faulty installations.





# CineTension2 Series

- Tab-Tensioned Electric Screen
- Premium Grade Tension Electric Screen

## FEATURES & BENEFITS

### Screen Material:

- CineWhite 1.1 Gain Screen Tension Material is flat, durable and easy to clean screen material.
- AcousticPro1080 1.0 Gain Screen material for acoustically transparent applications.
- 160 degree wide-viewing angle for commercial and residential presentations
- Black backed screen material eliminates light penetration for superior color reproduction
- Black masking enhances picture contrast

### Housing Finish and Installation

- Heavy Duty Aluminum Housing with enamel coating is moisture resistant.
- Floating Brackets are made for easy alignment in wall or ceiling installations.
- Ships fully assembled with 3-prong power connection ready to Plug & Play
- Side-Sliding motor design for easy access service & maintains

### Tension & Motor System:

- Tab-tensioned cords provide uniform flatness on entire projection surface
- Tubular motor allows fast swift operation with a superior weight tolerance and operational lifespan

### Control System:

- Infrared remote and wall switch
- Internal IR and Radio Frequency remotes and wall switch
- 5-12 volt trigger synchronizes with projector
- Adjustable vertical limit switch
- Optional In-wall up/down switch and wireless 5-12V controls available

### Quality and Reliability

- Standard 2-year parts and labor warranty
- 3-year warranty for GEMR (Government, Education, Military and Religious) - US only
- ETL, FCC, CE, CB GOSTCE & ISO9001:2008 Certified



Standard IR & RF remotes and built-In Infrared & Radio Frequency Receivers support your Screens On-wall or In-Ceiling application for a clean appearance. A Low Voltage Controller (LVC) is included with 5-12V trigger port (RJ45) that can be connected to your projector Trigger port. This enables synchronization between the drop/rise cycle of your screen and the power cycle of the projector. You could extend this port using a standard RJ45 connector and CAT-5 cable to anywhere in the room. Or mount your Wall-switch like a regular light Switch.

Extra Eye IR Receiver can be extended when screen is recessed into ceiling and can still be controlled with your IR remote or Universal Learning Remote Control.

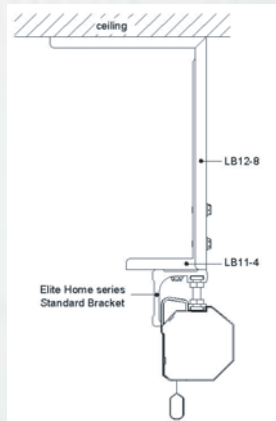
### Optional Control Accessories:

- Wireless (RF) 5-12V Trigger (Model # ZSP-TR01)
- 50 feet CAT-5 cable for 5-12 volt trigger (Model # ZSP-12V-50B)
- In-wall Up/Down switch (Model ZIW-B, ZIW-W & ZIW-W1)

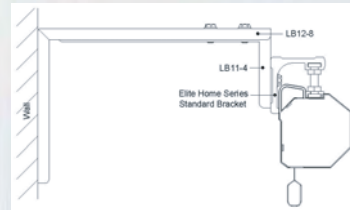




CineTension2 Series screens are available with up to 30" seamless top masking borders on select models. This is ideal for recessed ceiling installations using our Optional In-Ceiling Trim kit. The vertical drop/rise position is pre-set for optimum visibility but is adjustable to suit your various needs. Please contact our Tech-support for more information about this feature.



Standard Wall / Ceiling Sliding Brackets, make it easier to mount on Studs. Optional 11"x 4" and 12"x 8" L brackets can allow more flexibility when installing the screen away from walls. Please contact your reseller or visit [shop.elitescreens.com](http://shop.elitescreens.com) for accessory parts.



Optional Elite ZR800D Universal Learning Remote Control, allows one-touch regulation over your entertainment system managing up to 8 devices simultaneously. Each unit has a simplified programming option with learning function to accompany 800 pre-programmed TV/DVD/VCR codes.



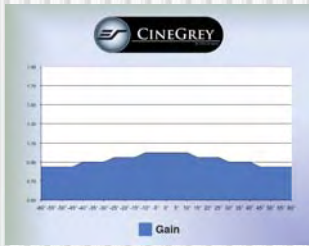
ZHOME LB11-4



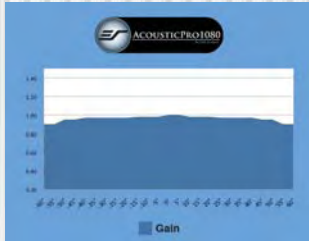
Standard Wall/Ceiling Brackets





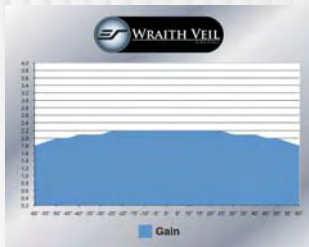


**CineGrey** is the best screen material for those using a low contrast ratio (LCD or DLP) projector for home theater and need to increase contrast ratio for enhanced black levels. We suggest you use CineWhite if you have a newer 2007-2008 model DLP or LCD projector.



**AcousticPro1080™** is fiberglass backed and utilizes an acoustically transparent weave material that prevents sound absorption while its 1.0 gain wide diffusion material provides quality color reproduction and image clarity.

It is made for use with in-wall speakers and in commercial and residential applications



**Wraith Veil Elite's** rear projection screen material comes in 2.2 high gain to be used in ambient light environments, such as tradeshow, meeting rooms, and outside evening presentations. Its special surface coating enhances color reproduction and black level reproduction with wide diffusion for multiple applications. Optional seamless screen sizes are available up to 200" in 4:3 and 16:9 aspect ratios.

#### CineTension2 Series: Premium Rear Pro Electric/Motorized Screen with IR/RF/Wall Box

Model	Nominal Diagonal	View Height (in)	View Width (in)	View Height (cm)	View Width (cm)	UPS or FedEx	Net Weight (lbs)	Gross Weight (lbs)	Net Weight (kgs)	Gross Weight (kgs)	Packaging Dimension (LxHxW)	Gain	Screen Material	Optional Ceiling Trim Kit
TE84VR2	84" (4:3)	50.4	67.2	128.0	170.7	Yes	27.6	39.4	12.5	17.9	89.1"x6.5"x8"	2.2	Wraith Veil	ZCTET84V
TE92VR2	92" (4:3)	55.0	73.3	139.7	186.2	Yes	29.1	42.0	13.2	19.0	94"x7.3"x8.5"	2.2	Wraith Veil	ZCTE92V
TE100VR2	100" (4:3)	60.0	80.0	152.4	203.2	Yes	43.0	59.5	19.5	27.0	103.5"x7.5"x9.75"	2.2	Wraith Veil	ZCTE100V
TE120VR2	120" (4:3)	72.0	96.0	182.9	243.8	No	47.8	65.5	21.7	29.7	120.7"x7.5"x9.75"	2.2	Wraith Veil	ZCTE120V
TE135VR2	135" (4:3)	81.0	108.0	205.7	274.3	No	PLEASE VISIT ELITESCREENS.COM					2.2	Wraith Veil	ZCTE135V
TE150VR2	150" (4:3)	90.0	120.0	228.6	304.8	No	PLEASE VISIT ELITESCREENS.COM					2.2	Wraith Veil	ZCTE150V
TE180VR2	180" (4:3)	108.0	144.0	274.3	365.8	No	PLEASE VISIT ELITESCREENS.COM					2.2	Wraith Veil	N/A
TE84HR2	84" (16:9)	41.2	73.2	104.6	185.9	Yes	27.0	41.5	12.3	18.8	94"x7.3"x8.5"	2.2	Wraith Veil	ZCTE84H
TE92HR2	92" (16:9)	45.1	80.2	114.6	203.7	Yes	42.6	57.8	19.3	26.2	103.3"x7.5"x9.75"	2.2	Wraith Veil	ZCTE92H
TE106HR2	106" (16:9)	52.0	92.4	132.1	234.7	No	45.9	61.2	20.8	27.7	107.4"x7.5"x9.75"	2.2	Wraith Veil	ZCTE106H
TE120HR2	121" (16:9)	58.8	104.6	149.4	265.7	No	52.7	70.6	23.9	32.0	130"x7.5"x9.75"	2.2	Wraith Veil	ZCTE120H
TE135HR2	135" (16:9)	66.2	117.7	168.1	299.0	No	52.9	73.4	24.0	33.3	141.8"x7.5"x9.75"	2.2	Wraith Veil	ZCTE135H
TE150HR2	150" (16:9)	73.6	130.7	186.9	332.0	No	PLEASE VISIT ELITESCREENS.COM					2.2	Wraith Veil	ZCTE150H
TE165HR2	165" (16:9)	81.0	144.0	205.7	365.8	No	PLEASE VISIT ELITESCREENS.COM					2.2	Wraith Veil	N/A
TE180HR2	180" (16:9)	88.3	156.9	224.3	398.5	No	PLEASE VISIT ELITESCREENS.COM					2.2	Wraith Veil	N/A
TE200HR2	200" (16:9)	98.0	174.0	248.9	442.0	No	PLEASE VISIT ELITESCREENS.COM					2.2	Wraith Veil	N/A

#### CineTension2 AcousticPro Series: Premium Tension Electric Acoustic Sound Transparent Screen IR/RF/Wall Box/12V Trigger

Model	Nominal Diagonal	View Height (in)	View Width (in)	View Height (cm)	View Width (cm)	UPS or FedEx	Net Weight (lbs)	Gross Weight (lbs)	Net Weight (kgs)	Gross Weight (kgs)	Packaging Dimension (LxHxW)	Gain	Screen Material	Optional Ceiling Trim Kit
TE84VW2-A	84" (4:3)	50.4	67.2	128.0	170.7	Yes	27.6	39.4	12.5	17.9	89.1"x6.5"x8"	1.0	AcousticPro	ZCTE84V
TE120VW2-A	120" (4:3)	72.0	96.0	182.9	243.8	No	47.8	65.5	21.7	29.7	120.7"x7.5"x9.75"	1.0	AcousticPro	ZCTE120V
TE135VW2-A	135" (4:3)	81.0	108.0	205.7	274.3	No	51.5	70.6	23.4	32.0	132.8"x7.5"x9.75"	1.0	AcousticPro	ZCTE135V
TE92HW2-A	92" (16:9)	45.1	80.2	114.6	203.7	Yes	42.6	57.8	19.3	26.2	103.3"x7.5"x9.75"	1.0	AcousticPro	ZCTE92H
TE120HW2-A	120" (16:9)	58.9	104.6	149.6	265.7	No	52.7	70.6	23.9	32.0	130"x7.5"x9.75"	1.0	AcousticPro	ZCTE120H
TE135HW2-A	135" (16:9)	66.2	117.7	168.1	299.0	No	52.9	73.4	24.0	33.3	141.8"x7.5"x9.75"	1.0	AcousticPro	ZCTE135H
TE150HW2-A	150" (16:9)	73.6	130.7	186.9	332.0	No	58.4	79.4	26.5	36.0	155.17"x7.5"x9.75"	1.0	AcousticPro	ZCTE150H

#### CineTension2 AcousticPro1080 Series: Premium Tension Electric Acoustic Sound Transparent Screen IR/RF/Wall Box/12V Trigger

Model	Nominal Diagonal	View Height (in)	View Width (in)	View Height (cm)	View Width (cm)	UPS or FedEx	Net Weight (lbs)	Gross Weight (lbs)	Net Weight (kgs)	Gross Weight (kgs)	Packaging Dimension (LxHxW)	Gain	Screen Material	Optional Ceiling Trim Kit
TE100VW2-A1080	100" (4:3)	60.0	80.0	152.4	203.2	Yes	43.0	59.5	19.5	27.0	103.5"x7.5"x9.75"	1.0	AcousticPro1080	ZCTE100V
TE120VW2-A1080	120" (4:3)	72.0	96.0	182.9	243.8	No	47.8	65.5	21.7	29.7	120.7"x7.5"x9.75"	1.0	AcousticPro1080	ZCTE120V
TE135VW2-A1080	135" (4:3)	81.0	108.0	205.7	274.3	No	51.5	70.6	23.4	32.0	132.8"x7.5"x9.75"	1.0	AcousticPro1080	ZCTE135V
TE84HW2-A1080	84" (16:9)	41.2	73.2	104.6	185.9	Yes	27.0	41.5	12.3	18.8	94"x7.3"x8.5"	1.0	AcousticPro1080	ZCTE84H
TE92HW2-A1080	92" (16:9)	45.1	80.2	114.6	203.7	Yes	42.6	57.8	19.3	26.2	103.3"x7.5"x9.75"	1.0	AcousticPro1080	ZCTE92H
TE120HW2-A1080	120" (16:9)	58.9	104.6	149.6	265.7	No	52.7	70.6	23.9	32.0	130"x7.5"x9.75"	1.0	AcousticPro1080	ZCTE120H
TE135HW2-A1080	135" (16:9)	66.2	117.7	168.1	299.0	No	52.9	73.4	24.0	33.3	141.8"x7.5"x9.75"	1.0	AcousticPro1080	ZCTE135H
TE150HW2-A1080	150" (16:9)	73.6	130.7	186.9	332.0	No	58.4	79.4	26.5	36.0	155.17"x7.5"x9.75"	1.0	AcousticPro1080	ZCTE150H



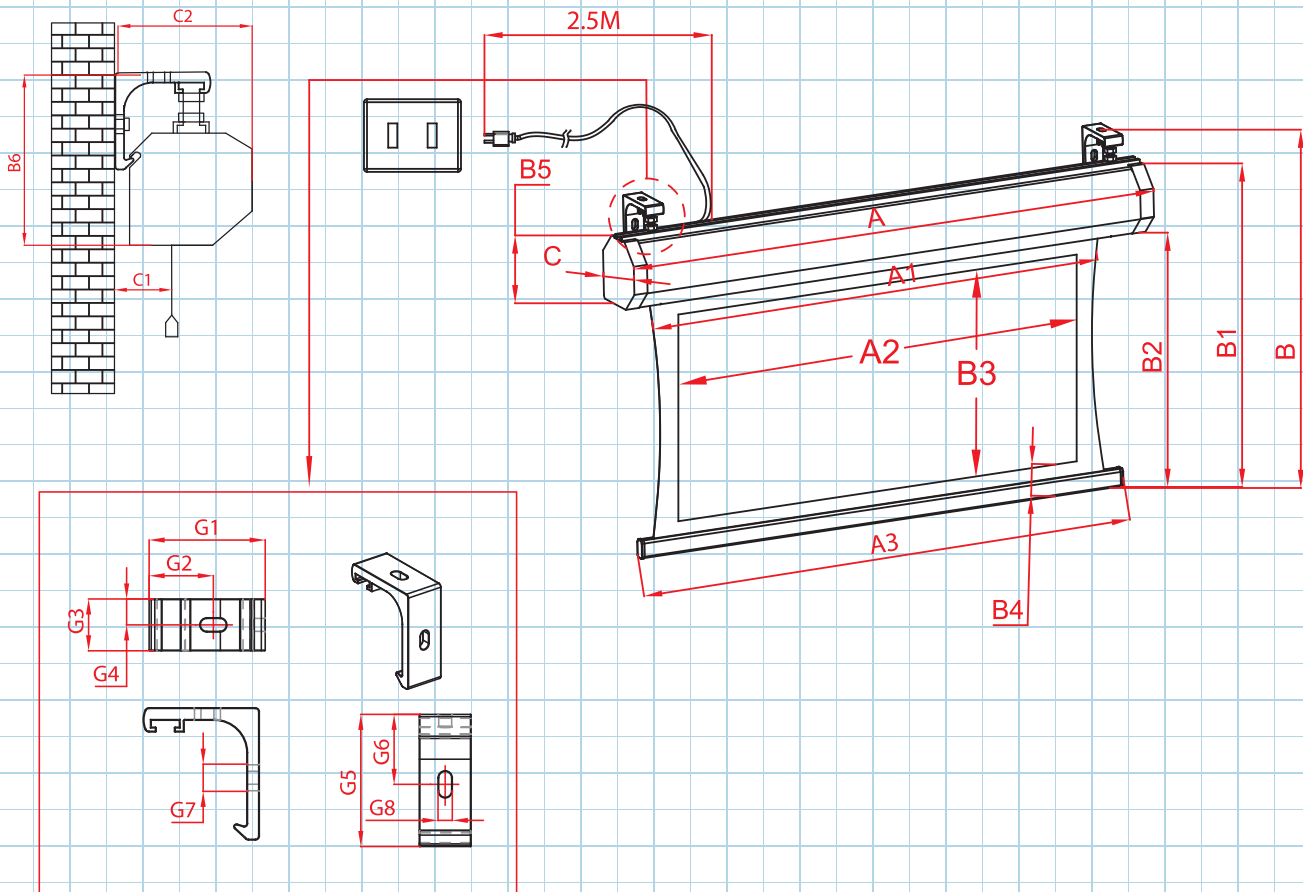
CineTension2 Series Dimensions Table

Model	Case Length (A)	Screen Width (A1)	View Width (A2)	Weight Bar Length (A3)	Bottom Edge (B4)	Material to Weight Bar Height (B2)	View Height (B3)	Overall Height (B1)	Overall Height w/Bracket (B)	Case Height (B5)	B6	Case Width (C)	Case End to Screen (C1)	C2	G1	G2	G3	G4	G5	G6	G7	G8
TE84H	2260.6	2037.1	1859.3	2141.0	87	1281.0	1046.0	1391.0	1431.0	94.0	105	97	20.1	132	70.1	37.1	22.1	11.9	73.4	39.9	20.1	9.9
TE84H-E30	2260.6	2037.1	1859.3	2141.0	87	1894.8	1046.0	2006.6	2044.7	94.0	105	97	20.1	132	70.1	37.1	22.1	11.9	73.4	39.9	20.1	9.9
TE92H	2439.0	2214.9	2037.1	2345.0	96	1394.0	1145.5	1529.0	1579.0	116.0	175	128	24.0	132	87.1	47.0	35.1	17.5	103.0	55.0	20.1	9.9
TE100H	2617.0	2392.7	2214.9	2455.0	96	1489.0	1245.4	1628.0	1678.0	116.0	175	128	24.0	132	87.1	47.0	35.1	17.5	103.1	55.1	20.1	9.9
TE100H-E24	2617.0	2391.7	2214.9	2455.0	96	1950.7	1245.0	2090.4	2141.2	116.0	175	128	24.0	132	87.1	47.0	35.1	17.5	103.1	55.1	20.1	9.9
TE106H	2770.0	2524.8	2347.0	2625.0	96	1564.0	1320.0	1703.0	1753.0	116.0	175	128	24.0	132	87.1	47.0	35.1	17.5	103.1	55.1	20.1	9.9
TE106H-E24	2770.0	2524.0	2347.0	2625.0	96	2024.0	1320.0	2163.0	2213.0	116.0	175	128	24.0	132	87.1	47.0	35.1	17.5	103.1	55.1	20.1	9.9
TE110H	2882.9	2613.7	2435.9	2722.9	96	1612.9	1369.1	1750.1	1800.9	116.0	176	128	24.0	132	87.1	47.0	35.1	17.5	103.1	55.1	20.1	9.9
TE110H-E24	2882.9	2613.7	2435.9	2722.9	96	2075.2	1369.1	2214.9	2265.7	116.0	175	128	24.0	132	87.1	47.0	35.1	17.5	103.1	55.1	20.1	9.9
TE120H	3114.0	2834.6	2656.8	2945.0	96	1688.0	1494.0	1826.0	1876.0	116.0	175	128	24.0	132	87.1	47.0	35.1	17.5	103.1	55.1	20.1	9.9
TE120H-E20	3114.0	2834.6	2656.8	2945.0	96	2098.0	1494.0	2237.7	2288.5	116.0	175	128	24.0	132	87.1	47.0	35.1	17.5	103.1	55.1	20.1	9.9
TE135H	3441.0	3167.0	2989.0	3255.0	96	1875.0	1681.0	2013.0	2063.0	116.0	175	128	24.0	132	87.1	47.0	35.1	17.5	103.1	55.1	20.1	9.9
TE135H-E12	3441.0	3167.0	2989.0	3255.0	96	2098.0	1681.0	2237.7	2288.5	116.0	175	128	24.0	132	87.1	47.0	35.1	17.5	103.1	55.1	20.1	9.9
TE150H	3804.0	3498.6	3320.8	3610.0	96	2062.0	1868.0	2200.0	2250.0	116.0	175	128	24.0	132	87.1	47.0	35.1	17.5	103.1	55.1	20.1	9.9
TE84V	2109.0	1884.7	1706.9	1995.0	87	1515.0	1280.0	1625.0	1665.0	94.0	105	97	20.0	132	70.1	37.1	22.1	11.9	73.4	39.9	20.1	9.9
TE84V-E30	2109.0	1884.7	1706.9	1995.0	87	2128.5	1280.2	2240.3	2280.9	94.0	105	97	20.0	132	70.1	37.1	22.1	11.9	73.4	39.9	20.1	9.9
TE92V	2260.6	2047.2	1869.4	2141.2	87	1640.8	1402.1	1752.6	1793.2	94.0	105	97	20.0	132	70.1	37.1	22.1	11.9	73.4	39.9	20.1	9.9
TE100V	2439.0	2209.8	2032.0	2305.0	96	1768.0	1524.0	1905.8	1955.0	116.0	175	128	24.0	132	87.1	47.0	35.1	17.5	103.1	55.1	20.1	9.9
TE120V	2882.0	2616.2	2438.4	2725.0	96	2022.0	1828.0	2160.0	2210.0	116.0	175	128	24.0	132	87.1	47.0	35.1	17.5	103.1	55.1	20.1	9.9
TE135V	3186.9	2921.0	2743.2	3040.0	96	2251.0	2057.0	2389.0	2439.0	116.0	175	128	24.0	132	87.1	47.0	35.1	17.5	103.1	55.1	20.1	9.9
TE150V	3511.0	3225.8	3048.0	3365.0	97	2480.0	2286.0	2618.0	2668.0	116.1	175	128	24.0	132	87.1	47.0	35.1	17.5	103.1	55.1	20.1	9.9
TE94X	2439.0	2202.2	2024.4	2296.2	96	1508.8	1264.9	1645.9	1696.7	116.1	176	128	24.0	132	87.1	47.0	35.1	17.5	103.1	55.1	20.1	9.9
TE106X-E24	PLEASE VISIT ELITESCREENS.COM													132	87.1	47.0	35.1	17.5	103.1	55.1	20.1	9.9
TE116X	2934.0	2677.2	2499.4	2771.1	96	1805.9	1562.1	1943.1	1993.9	116.1	177	128	24.0	132	87.1	47.0	35.1	17.5	103.1	55.1	20.1	9.9
TE128X-E12	PLEASE VISIT ELITESCREENS.COM													132	87.1	47.0	35.1	17.5	103.1	55.1	20.1	9.9
TE139X	3441.0	3172.0	2994.0	3255.0	96	2061.0	1871.0	2177.1	2227.1	116.1	176	128	24.0	132	87.1	47.0	35.1	17.5	103.1	55.1	20.1	9.9
TE85C-E30	2328.5	2176.5	1986.5	2266.5	87	1694.2	845.2	1804.2	1844.2	94.0	105	97	24.0	132	70.1	37.1	22.1	11.9	73.4	39.9	20.1	9.9
TE96C-E24	2668.6	2433.6	2243.6	2523.6	96	1660.2	954.6	1798.2	1848.2	116.1	176	128	24.0	132	87.1	47.0	35.1	17.5	103.1	55.1	20.1	9.9
TE103C-E24	2882.9	2597.2	2407.2	2725.4	96	1729.8	1024.2	1867.8	1917.8	116.1	176	128	24.0	132	87.1	47.0	35.1	17.5	103.1	55.1	20.1	9.9
TE115C-E24	3112.6	2877.6	2687.6	2967.6	96	1849.2	1143.6	1987.2	2037.2	116.1	176	128	24.0	132	87.1	47.0	35.1	17.5	103.1	55.1	20.1	9.9
TE125C-E20	3346.3	3111.3	2921.3	3201.3	96	1847.0	1243.0	1985.0	2035.0	116.1	176	128	24.0	132	87.1	47.0	35.1	17.5	103.1	55.1	20.1	9.9
TE138C-E16	3650.1	3415.1	3225.1	3505.1	96	1874.7	1372.3	2012.7	2062.7	116.1	176	128	24.0	132	87.1	47.0	35.1	17.5	103.1	55.1	20.1	9.9
TE153C-E12	4000.7	3765.7	3575.7	3855.7	96	1922.2	1521.4	2060.2	2110.2	116.1	176	128	24.0	132	87.1	47.0	35.1	17.5	103.1	55.1	20.1	9.9

Unit: mm

Can't find size and ratio you're looking for? Visit [elitescreens.com/csr](http://elitescreens.com/csr) to create your own

The listed measurements are for general reference only. Please contact Elite Screens to verify product design and dimensions before attempting to integrate its products with any structural or furniture modification. Although a manufacturer may offer product advice, it may be taken or disregarded at the integrator's discretion. Elite Screens will not be held responsible or be otherwise liable for faulty installations.



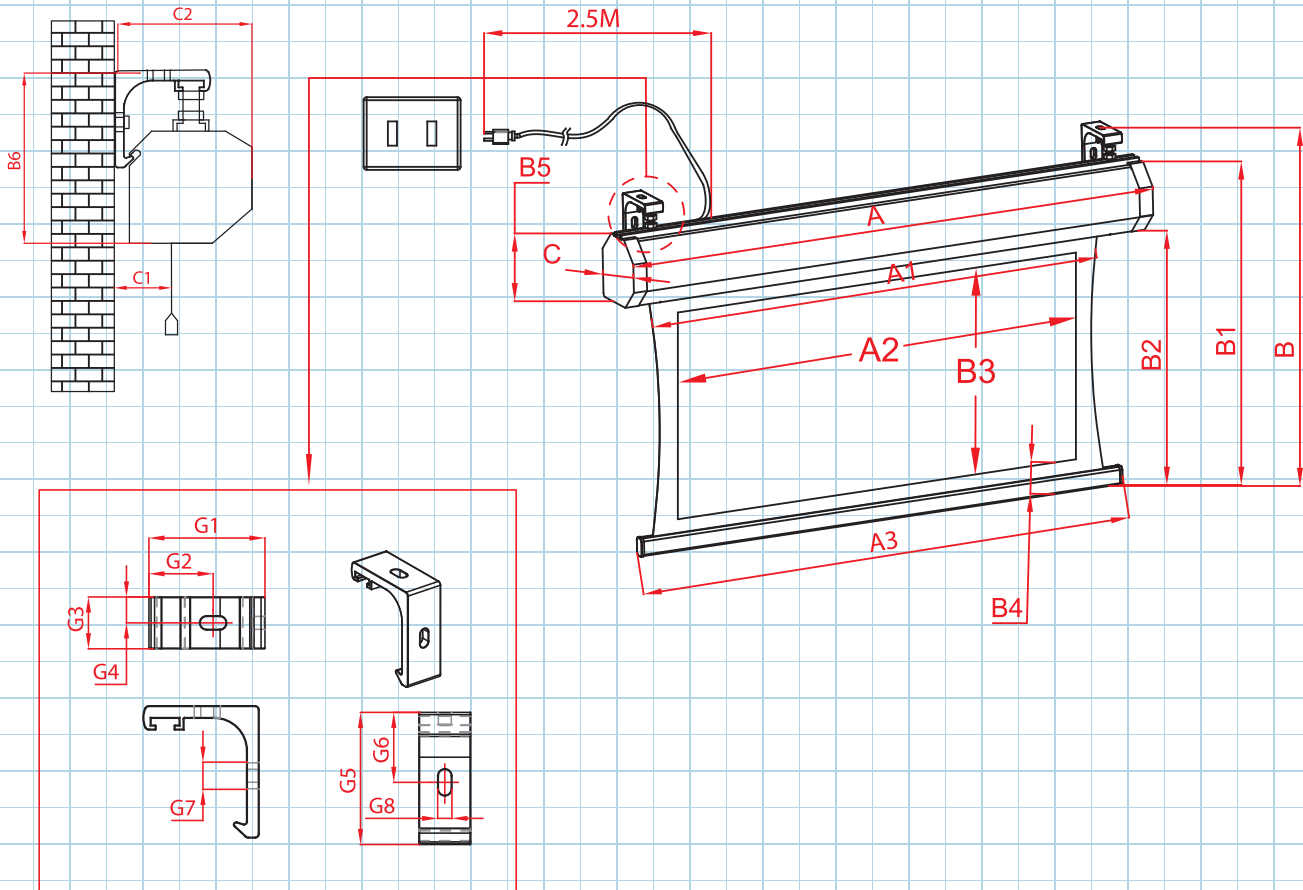
### CineTension2 Series Dimensions Table

Model	Case Length (A)	Screen Width (A1)	View Width (A2)	Weight Bar Length (A3)	Bottom Edge (B4)	Material to Weight Bar Height (B2)	View Height (B3)	Overall Height (B1)	Overall Height w/Bracket (B)	Case Height (B5)	B6	Case Width (C)	Case End to Screen (C1)	C2	G1	G2	G3	G4	G5	G6	G7	G8
TE84H	89.0	80.2	73.2	84.3	3.4	50.4	41.2	54.8	56.3	3.7	4.1	3.8	0.8	5.2	2.8	1.5	0.9	0.5	2.9	1.6	0.8	0.4
TE84H-E30	89.0	80.2	73.2	84.3	3.4	74.6	41.2	79.0	80.5	3.7	4.1	3.8	0.8	5.2	2.8	1.5	0.9	0.5	2.9	1.6	0.8	0.4
TE92H	96.0	87.2	80.2	92.3	3.8	54.9	45.1	60.2	62.2	4.6	6.9	5.0	0.9	5.2	3.4	1.9	1.4	0.7	4.1	2.2	0.8	0.4
TE100H	103.0	94.2	87.2	96.7	3.8	58.6	49.0	64.1	66.1	4.6	6.9	5.0	0.9	5.2	3.4	1.9	1.4	0.7	4.1	2.2	0.8	0.4
TE100H-E24	103.0	94.2	87.2	96.7	3.8	76.8	49.0	82.3	84.3	4.6	6.9	5.0	0.9	5.2	3.4	1.9	1.4	0.7	4.1	2.2	0.8	0.4
TE106H	109.1	99.4	92.4	103.3	3.8	61.6	52.0	67.0	69.0	4.6	6.9	5.0	0.9	5.2	3.4	1.9	1.4	0.7	4.1	2.2	0.8	0.4
TE106H-E24	109.1	99.4	92.4	103.3	3.8	79.7	52.0	85.2	87.1	4.6	6.9	5.0	0.9	5.2	3.4	1.9	1.4	0.7	4.1	2.2	0.8	0.4
TE110H	113.5	102.9	95.9	107.2	3.8	63.5	53.9	68.9	70.9	4.6	6.9	5.0	0.9	5.2	3.4	1.9	1.4	0.7	4.1	2.2	0.8	0.4
TE110H-E24	113.5	102.9	95.9	107.2	3.8	81.7	53.9	87.2	89.2	4.6	6.9	5.0	0.9	5.2	3.4	1.9	1.4	0.7	4.1	2.2	0.8	0.4
TE120H	122.6	111.6	104.6	115.9	3.8	66.5	58.8	71.9	73.9	4.6	6.9	5.0	0.9	5.2	3.4	1.9	1.4	0.7	4.1	2.2	0.8	0.4
TE120H-E20	122.6	111.6	104.6	115.9	3.8	82.6	58.8	88.1	90.1	4.6	6.9	5.0	0.9	5.2	3.4	1.9	1.4	0.7	4.1	2.2	0.8	0.4
TE135H	135.5	124.7	117.7	128.1	3.8	73.8	66.2	79.3	81.2	4.6	6.9	5.0	0.9	5.2	3.4	1.9	1.4	0.7	4.1	2.2	0.8	0.4
TE135H-E12	135.5	124.7	117.7	128.1	3.8	82.6	66.2	88.1	90.1	4.6	6.9	5.0	0.9	5.2	3.4	1.9	1.4	0.7	4.1	2.2	0.8	0.4
TE150H	149.8	137.7	130.7	142.1	3.8	81.2	73.5	86.6	88.6	4.6	6.9	5.0	0.9	5.2	3.4	1.9	1.4	0.7	4.1	2.2	0.8	0.4
TE84V	83.0	74.2	67.2	78.5	3.4	59.6	50.4	64.0	65.6	3.7	4.1	3.8	0.8	5.2	2.8	1.5	0.9	0.5	2.9	1.6	0.8	0.4
TE84V-E30	83.0	74.2	67.2	78.5	3.4	83.8	50.4	88.2	89.8	3.7	4.1	3.8	0.8	5.2	2.8	1.5	0.9	0.5	2.9	1.6	0.8	0.4
TE92V	89.0	80.6	73.6	84.3	3.4	64.6	55.2	69.0	70.6	3.7	4.1	3.8	0.8	5.2	2.8	1.5	0.9	0.5	2.9	1.6	0.8	0.4
TE100V	96.0	87.0	80.0	90.7	3.8	69.6	60.0	75.0	77.0	4.6	6.9	5.0	0.9	5.2	3.4	1.9	1.4	0.7	4.1	2.2	0.8	0.4
TE120V	113.5	103.0	96.0	107.3	3.8	79.6	72.0	85.0	87.0	4.6	6.9	5.0	0.9	5.2	3.4	1.9	1.4	0.7	4.1	2.2	0.8	0.4
TE135V	125.5	115.0	108.0	119.7	3.8	88.6	81.0	94.1	96.0	4.6	6.9	5.0	0.9	5.2	3.4	1.9	1.4	0.7	4.1	2.2	0.8	0.4
TE150V	138.2	127.0	120.0	132.5	3.8	97.6	90.0	103.1	105.0	4.6	6.9	5.0	0.9	5.2	3.4	1.9	1.4	0.7	4.1	2.2	0.8	0.4
TE94X	96.0	86.7	79.7	90.4	3.8	59.4	49.8	64.8	66.8	4.6	6.9	5.0	0.9	5.2	3.4	1.9	1.4	0.7	4.1	2.2	0.8	0.4
TE106X-E24	PLEASE VISIT ELITESCREENS.COM													5.2	3.4	1.9	1.4	0.7	4.1	2.2	0.8	0.4
TE116X	115.5	105.4	98.4	109.1	3.8	71.1	61.5	76.5	78.5	4.6	7.0	5.0	0.9	5.2	3.4	1.9	1.4	0.7	4.1	2.2	0.8	0.4
TE128X-E12	PLEASE VISIT ELITESCREENS.COM													5.2	3.4	1.9	1.4	0.7	4.1	2.2	0.8	0.4
TE139X	135.5	124.9	117.9	128.1	3.8	81.1	73.7	85.7	87.7	4.6	6.9	5.0	0.9	5.2	3.4	1.9	1.4	0.7	4.1	2.2	0.8	0.4
TE85C-E30	91.7	85.7	78.2	89.2	3.4	66.7	33.3	71.0	72.6	3.7	4.1	3.8	0.8	5.2	2.8	1.5	0.9	0.5	2.9	1.6	0.8	0.4
TE96C-E24	105.1	95.8	88.3	99.4	3.8	65.4	37.6	70.8	72.8	4.6	6.9	5.0	0.9	5.2	3.4	1.9	1.4	0.7	4.1	2.2	0.8	0.4
TE103C-E24	113.5	102.3	94.8	107.3	3.8	68.1	40.3	73.5	75.5	4.6	6.9	5.0	0.9	5.2	3.4	1.9	1.4	0.7	4.1	2.2	0.8	0.4
TE115C-E24	122.5	113.3	105.8	116.8	3.8	72.8	45.0	78.2	80.2	4.6	6.9	5.0	0.9	5.2	3.4	1.9	1.4	0.7	4.1	2.2	0.8	0.4
TE125C-E20	131.7	122.5	115.0	126.0	3.8	72.7	48.9	78.1	80.1	4.6	6.9	5.0	0.9	5.2	3.4	1.9	1.4	0.7	4.1	2.2	0.8	0.4
TE138C-E16	143.7	134.5	127.0	138.0	3.8	73.8	54.0	79.2	81.2	4.6	6.9	5.0	0.9	5.2	3.4	1.9	1.4	0.7	4.1	2.2	0.8	0.4
TE153C-E12	157.5	148.3	140.8	151.8	3.8	75.7	59.9	81.1	83.1	4.6	6.9	5.0	0.9	5.2	3.4	1.9	1.4	0.7	4.1	2.2	0.8	0.4

Unit: inch

Can't find size and ratio you're looking for? Visit [elitescreens.com/csr](http://elitescreens.com/csr) to create your own

The listed measurements are for general reference only. Please contact Elite Screens to verify product design and dimensions before attempting to integrate its products with any structural or furniture modification. Although a manufacturer may offer product advice, it may be taken or disregarded at the integrator's discretion. Elite Screens will not be held responsible or be otherwise liable for faulty installations.





# VMAX Plus4 Series

- Enhanced Multi-Purpose Large Electric/Motorized Screen



## Screen Material:

- MaxWhite Plus 1.1 Gain Screen Material is an ultra wide 5M seamless screen material for large projection screen applications.
- 160 degree wide viewing angle for large commercial applications
- Black backed screen material eliminates light penetration for superior color reproduction
- Black masking enhances picture contrast

## Housing Finish and Installation

- Suitable for ceiling installations
- Ships fully assembled with 3-prong power connection ready to Plug & Play
- Side-access panel with sliding motor allows easy "in-place" maintenance without dismantling the screen

## Flatness Treatment & Motor System:

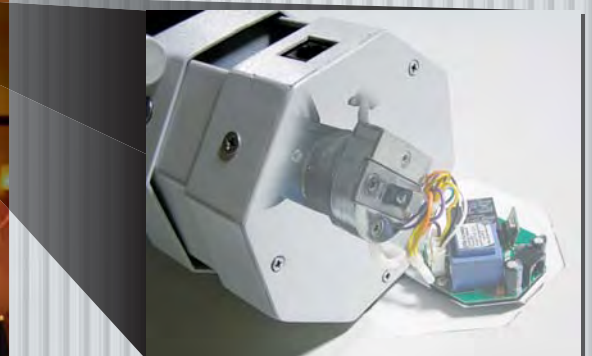
- Fiberglass-backed material has added flatness
- Tubular motor allows swift operation with a superior weight tolerance and operational lifespan

## Control System:

- Infrared & Radio Frequency remotes and wall switch
- Internal IR/RF low voltage receivers
- 5-12 volt trigger synchronizes with projector
- Adjustable vertical limit switch
- Optional In-wall up/down switch and wireless 5-12V controls available

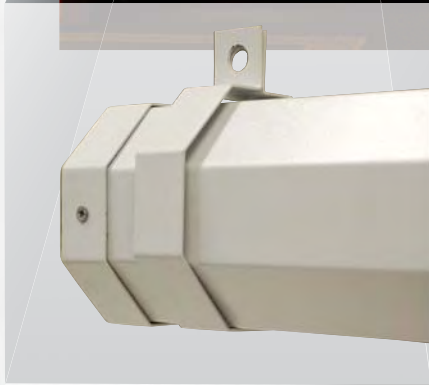
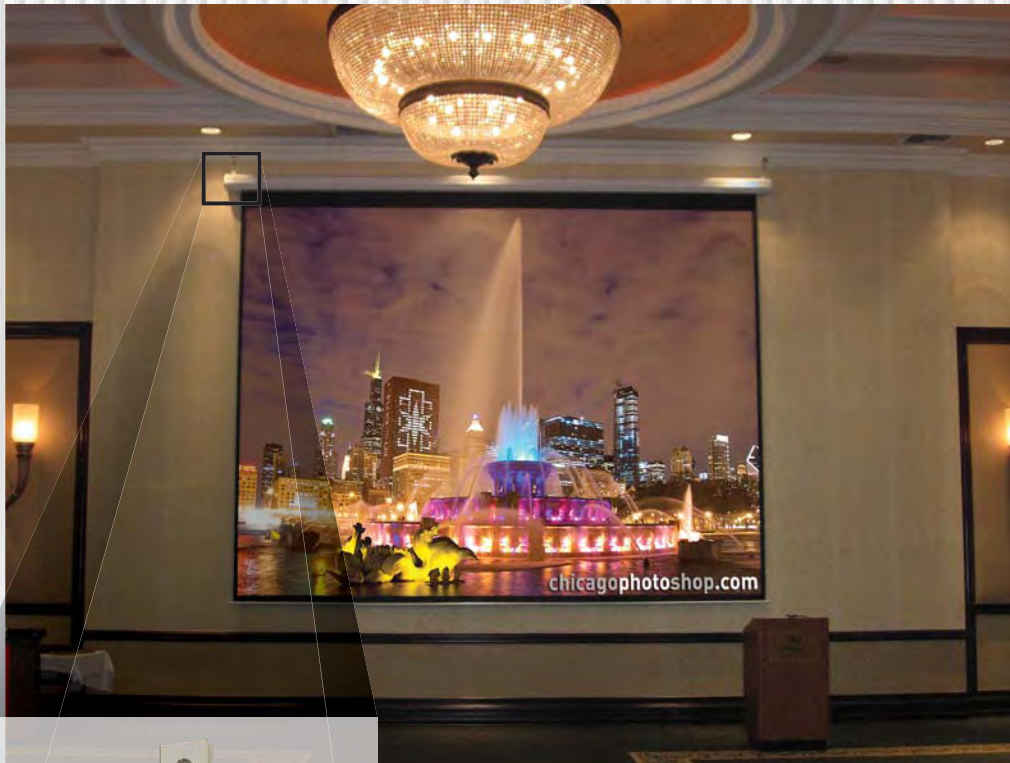
## Quality and Reliability

- Standard 2-year parts and labor warranty
- 3-year warranty for GEMR (Government, Education, Military and Religious) - US only
- ETL, FCC, CE, CB GOSTCE & ISO9001:2008 Certified



Easy Maintenance - Side-Slide Motor and Circuit Board Access





Built-in Ceiling Bracket



RJ45 Connector

**VMAX Plus3(4) Series: Large Size Electric/Motorized Screen with IR/RF Remote & In-Wall Switch / 12V Trigger**

Model	Nominal Diagonal	View Height (in)	View Width (in)	View Height (cm)	View Width (cm)	UPS or FedEx	Net Weight (lbs)	Gross Weight (kg)	Net Weight (lbs)	Gross Weight (kgs)	Packaging Dimension (LxHxW)	Gain	Screen Material	Case Color
VMAX200UWS PLUS4	200" (1:1)	141.0	141.0	358.1	358.1	No	105.8	230.6	48.0	104.6	164.5"x12"x13"	1.1	MaxWhite(Seam@TopBlack)	Black
VMAX200XWS PLUS3	200" (1:1)	141.0	141.0	358.1	358.1	No	105.8	230.6	48.0	104.6	164.5"x12"x13"	1.1	MaxWhite	White
VMAX235UWS PLUS3	235" (1:1)	166.0	166.0	421.6	421.6	No	138.9	299.0	63.0	135.6	189.5"x12"x13"	1.1	MaxWhite	Black
VMAX235XWS PLUS4	235" (1:1)	166.0	166.0	421.6	421.6	No	138.9	299.0	63.0	135.6	189.5"x12"x13"	1.1	MaxWhite(Seam@TopBlack)	White
VMAX180UWV PLUS4	180" (4:3)	108.0	144.0	274.3	365.8	No	53.4	67.7	24.2	30.7	158"x6.75"x6.75"	1.1	MaxWhite(Seamless)	Black
VMAX180XWV PLUS4	180" (4:3)	108.0	144.0	274.3	365.8	No	53.4	67.7	24.2	30.7	158"x6.75"x6.75"	1.1	MaxWhite(Seamless)	White
VMAX200XWV PLUS3	200" (4:3)	120.0	160.0	304.8	406.4	No	112.4	252.7	51.0	114.6	182.5"x12"x13"	1.1	MaxWhite(Seam@TopBlack)	White
VMAX200UWV PLUS3	200" (4:3)	120.0	160.0	304.8	406.4	No	112.4	252.7	51.0	114.6	182.5"x12"x13"	1.1	MaxWhite(Seam@TopBlack)	Black
VMAX200UWV PLUS4	200" (4:3)	120.0	160.0	304.8	406.4	No	112.4	252.7	51.0	114.6	182.5"x12"x13"	1.1	MaxWhite(Seamless)	Black
VMAX200XWV PLUS4	200" (4:3)	120.0	160.0	304.8	406.4	No	112.4	252.7	51.0	114.6	182.5"x12"x13"	1.1	MaxWhite(Seamless)	White
VMAX235UWV PLUS3	235" (4:3)	140.3	187.0	356.4	475.0	No	151.9	325.2	68.9	147.5	212.5"x12"x13"	1.1	MaxWhite(Seam)	Black
VMAX235XWV PLUS3	235" (4:3)	140.3	187.0	356.4	475.0	No	151.9	325.2	68.9	147.5	212.5"x12"x13"	1.1	MaxWhite(Seam)	White
VMAX235UWV PLUS4	235" (4:3)	140.3	187.0	356.4	475.0	No	151.9	325.2	68.9	147.5	212.5"x12"x13"	1.1	MaxWhite(Seam@TopBlack)	Black
VMAX235XWV PLUS4	235" (4:3)	140.3	187.0	356.4	475.0	No	151.9	325.2	68.9	147.5	212.5"x12"x13"	1.1	MaxWhite(Seam@TopBlack)	White
VMAX265XWV PLUS3	265" (4:3)	159.0	212.0	403.9	538.5	No	275.8	478.4	125.1	217.0	239.5"x13.3"x14.5"	1.1	MaxWhite(Seam)	White
VMAX300XWV PLUS3	300" (4:3)	180.0	240.0	457.2	609.6	No	309.5	553.8	140.4	251.2	265.5"x13.7"x15.5"	1.1	MaxWhite(Seam)	White
VMAX350XWV PLUS4	350" (4:3)	210.0	280.0	533.4	711.2	No	387.6	692.9	175.8	314.3	305.5"x14"x15.5"	1.1	MaxWhite(Seam)	White
VMAX400XWV PLUS4	400" (4:3)	240.0	320.0	609.6	812.8	No	440.9	771.6	200.0	350.0	344"x14"x15.5"	1.1	MaxWhite(Seam)	White
VMAX180UWH PLUS2	180" (16:9)	88.3	156.9	224.3	398.5	No	52.7	68.6	23.9	31.1	171"x6.75"x6.75"	1.1	MaxWhite(Seamless)	Black
VMAX180XWH PLUS4	180" (16:9)	87.8	156.9	223.0	398.5	No	52.7	68.6	23.9	31.1	171"x6.75"x6.75"	1.1	MaxWhite(Seamless)	White
VMAX200UWH PLUS4	200" (16:9)	98.0	174.0	248.9	442.0	No	118.1	265.0	53.6	120.2	197.6"x12"x13"	1.1	MaxWhite(Seamless)	Black
VMAX200XWH PLUS4	200" (16:9)	98.0	174.0	248.9	442.0	No	118.1	265.0	53.6	120.2	197.6"x12"x13"	1.1	MaxWhite(Seamless)	White
VMAX235UWH PLUS3	235" (16:9)	115.4	205.0	293.1	520.7	No	148.4	333.3	67.3	151.2	230"x12"x13"	1.1	MaxWhite(Seam@TopBlack)	Black
VMAX235XWH PLUS3	235" (16:9)	115.4	205.0	293.1	520.7	No	148.4	333.3	67.3	151.2	230"x12"x13"	1.1	MaxWhite(Seam@TopBlack)	White
VMAX235UWH PLUS4	235" (16:9)	115.4	205.0	293.1	520.7	No	148.4	333.3	67.3	151.2	230"x12"x13"	1.1	MaxWhite(Seam@TopBlack)	Black
VMAX235XWH PLUS4	235" (16:9)	115.4	205.0	293.1	520.7	No	148.4	333.3	67.3	151.2	230"x12"x13"	1.1	MaxWhite(Seam@TopBlack)	White
VMAX265XWH PLUS4	265" (16:9)	122.0	217.0	309.9	551.2	No	282.2	482.8	128.0	219.0	256.5"x13.3"x14.5"	1.1	MaxWhite(Seam@TopBlack)	White
VMAX300XWH PLUS4	300" (16:9)	146.9	261.0	373.1	662.9	No	312.2	583.3	141.6	264.6	286.7"x13.7"x15.5"	1.1	MaxWhite(Seam@TopBlack)	White
VMAX380XWH PLUS4	380" (16:9)	186.3	331.0	473.2	840.7	No	387.6	692.9	175.8	314.3	310"x14"x15.5"	1.1	MaxWhite(Seam)	White



**VMAX Plus3(4)Series Dimensions Table**

Model	Nominal Diagonal & Aspect Ratio	Case Length (A)	End Cap Screw Hole Distance (A1)	View Width (A3)	Screen Width (A2)	Weight Bar Length (A4)	Bottom Edge Distance (B3)	Overall Height (B4)	View Height (B2)	Screen Material to Weight Bar Height (B1)	Overall Height w/ End Cap (B)	End Cap Height (D1)	End Cap Width (C1)	Screen Material Edge to End Cap	Bracket Height (E)	Bracket Width (E1)	Power Cord Length (D)	Net Weight (kgs)
200V	200" (4:3)	4430	4265	4064	4165	4315	72	3276.0	3048.0	3149.0	3464.0	127	127	15	188	138	2500	51.0
235V	235" (4:3)	5186	5021	4775	4876	5026	72	3822.4	3581.4	3682.4	4014.4	140	140	18	192	144	2500	68.9
265V	265" (4:3)	5821	5656	5384	5485	5635	72	4304.6	4038.6	4139.6	4519.6	165	165	20	215	175	2500	125.1
300V	300" (4:3)	6533	6368	6096	6197	6347	72	4848.0	4572.0	4673.0	5073.0	175	175	20	225	185	2500	140.4
350V	350" (4:3)	7560	7395	7112	7213	7363	72	5610.0	5334.0	5435.0	5835.0	175	175	20	225	185	2500	175.8
400V	400" (4:3)	8700	8475	8128	8229	8379	72	6457.0	6096.0	6197.0	6787.0	260	260	25	330	185	2500	300.0
200H	200" (16:9)	4790	4625	4428	4529	4679	72	2718.7	2490.7	2591.7	2906.7	127	127	15	188	138	2500	53.55
235H	235" (16:9)	5610	5445	5203	5304	5454	72	3167.6	2926.6	3027.6	3359.6	140	140	18	192	144	2500	67.3
265H	265" (16:9)	6303	6138	5867	5968	6118	72	3566.2	3300.2	3401.2	3781.2	165	165	20	215	175	2500	128.0
300H	300" (16:9)	7078	6913	6641	6742	6892	72	4012.1	3736.1	3837.1	4237.1	175	175	20	225	185	2500	141.6
380H	380" (16:9)	8990	8765	8413	8565	8715	72	5093.4	4732.4	4833.4	5423.4	260	260	25	330	280	2500	320.0
200S	200" (1:1)	3956	3791	3592	3693	3843	72	3820.1	3592.1	3693.1	4008.1	127	127	15	188	138	2500	48.0
235S	235" (1:1)	4582	4417	4221	4322	4472	72	4461.8	4220.8	4321.8	4653.8	140	140	18	192	144	2500	63.0

Unit: mm

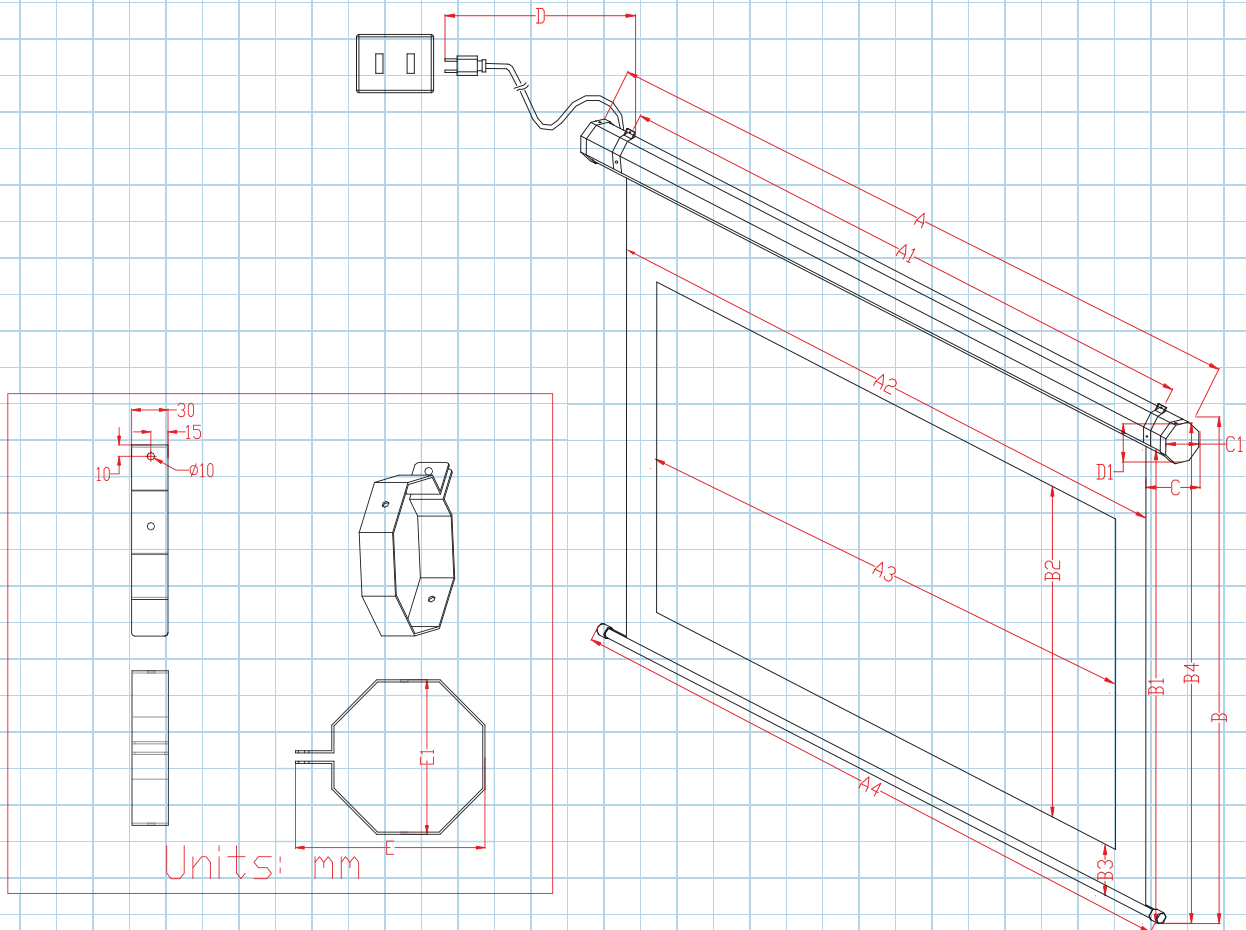
Can't find size and ratio you're looking for? Visit [elitescreens.com/csr](http://elitescreens.com/csr) to create your own

Model	Nominal Diagonal & Aspect Ratio	Case Length (A)	End Cap Screw Hole Distance (A1)	View Width (A3)	Screen Width (A2)	Weight Bar Length (A4)	Bottom Edge Distance (B3)	Overall Height (B4)	View Height (B2)	Screen Material to Weight Bar Height (B1)	Overall Height w/ End Cap (B)	End Cap Height (D1)	End Cap Width (C1)	Screen Material Edge to End Cap	Bracket Height (E)	Bracket Width (E1)	Power Cord Length (D)	Net Weight (kgs)
200V	200" (4:3)	174.4	167.9	160.0	164.0	169.9	2.8	129.0	120.0	124.0	136.4	5.0	5.0	0.6	7.4	5.4	98.4	112.2
235V	235" (4:3)	204.2	197.7	188.0	192.0	197.9	2.8	150.5	141.0	145.0	158.0	5.5	5.5	0.7	7.6	5.7	98.4	151.6
265V	265" (4:3)	229.2	222.7	212.0	215.9	221.9	2.8	169.5	159.0	163.0	177.9	6.5	6.5	0.8	8.5	6.9	98.4	275.2
300V	300" (4:3)	257.2	250.7	240.0	244.0	249.9	2.8	190.9	180.0	184.0	199.7	6.9	6.9	0.8	8.9	7.3	98.4	308.9
350V	350" (4:3)	297.6	291.1	280.0	284.0	289.9	2.8	220.9	210.0	214.0	229.7	6.9	6.9	0.8	8.9	7.3	98.4	386.8
400V	400" (4:3)	342.5	333.7	320.0	324.0	329.9	2.8	254.2	240.0	244.0	267.2	10.2	10.2	1.0	13.0	7.3	98.4	660.0
200H	200" (16:9)	188.6	182.1	174.3	178.3	184.2	2.8	107.0	98.1	102.0	114.4	5.0	5.0	0.6	7.4	5.4	98.4	117.8
235H	235" (16:9)	220.9	214.4	204.8	208.8	214.7	2.8	124.7	115.2	119.2	132.3	5.5	5.5	0.7	7.6	5.7	98.4	148.1
265H	265" (16:9)	248.1	241.7	231.0	235.0	240.9	2.8	140.4	129.9	133.9	148.9	6.5	6.5	0.8	8.5	6.9	98.4	281.6
300H	300" (16:9)	278.7	272.2	261.5	265.4	271.3	2.8	158.0	147.1	151.1	166.8	6.9	6.9	0.8	8.9	7.3	98.4	311.5
380H	380" (16:9)	353.9	345.1	331.2	337.2	343.1	2.8	200.5	186.3	190.3	213.5	10.2	10.2	1.0	13.0	11.0	98.4	704.0
200S	200" (1:1)	155.7	149.3	141.4	145.4	151.3	2.8	150.4	141.4	145.4	157.8	5.0	5.0	0.6	7.4	5.4	98.4	105.6
235S	235" (1:1)	180.4	173.9	166.2	170.2	176.1	2.8	175.7	166.2	170.1	183.2	5.5	5.5	0.7	7.6	5.7	98.4	138.6

Unit: inch

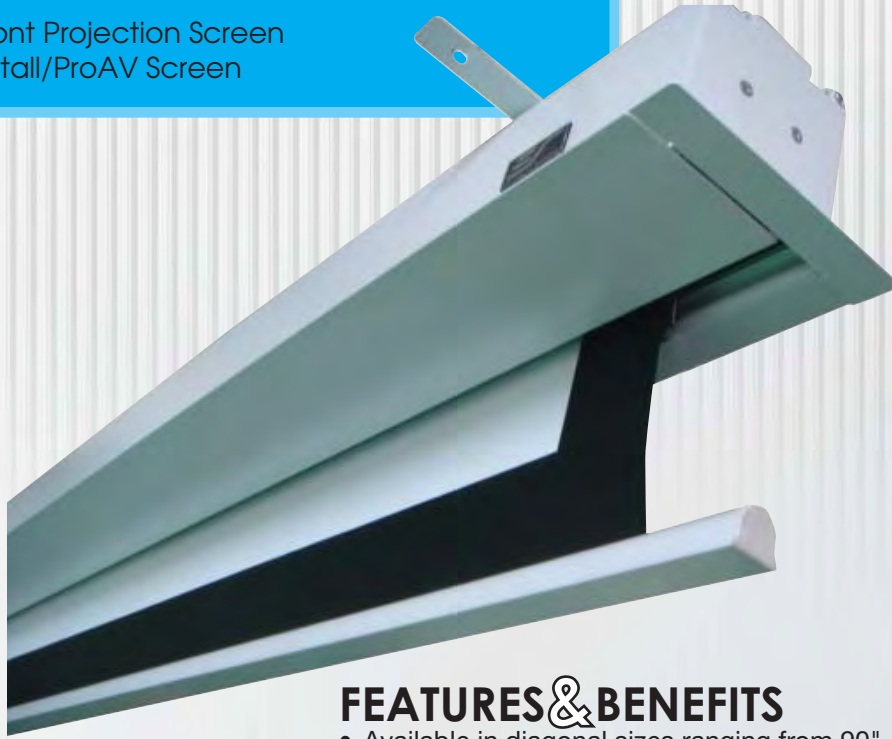
Can't find size and ratio you're looking for? Visit [elitescreens.com/csr](http://elitescreens.com/csr) to create your own

The listed measurements are for general reference only. Please contact Elite Screens to verify product design and dimensions before attempting to integrate its products with any structural or furniture modification. Although a manufacturer may offer product advice, it may be taken or disregarded at the integrator's discretion. Elite Screens will not be held responsible or be otherwise liable for faulty installations.



# Evanesce Series

- In-Ceiling Electric Front Projection Screen
- Premium Custom Install/ProAV Screen



## FEATURES & BENEFITS

- Available in diagonal sizes ranging from 90"-134"
- Four aspect ratios to choose from, 4:3, 16:9, 16:10 & 2.35:1
- Optional custom sizes, aspect ratios and materials available
- Disappearing in-ceiling design for non-dedicated media rooms
- Integrated ceiling projection screen ships fully assembled, ready to install

### Screen Material:

- MaxWhite FG 1.1 gain black backed matte white screen material

### Housing Finish and Installation:

- Aluminum Housing with enamel coating is moisture resistant

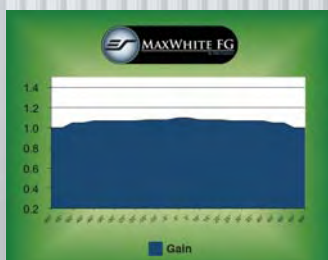
### Control System:

- Internal Radio Frequency/Infrared receivers with IR, RF remotes included
- Low voltage 3-way wall switch included
- 5-12Volt trigger included to synchronize screen operation with the projector's power cycle
- Optional In-wall up/down switch

### Quality and Reliability

- Standard 2-year parts and labor warranty
- 3-year warranty for GEMR (Government, Education, Military and Religious) - US only
- ETL, FCC, CE, CB GOSTCE & ISO9001:2008 Certified

MaxWhite FG Screen Material is the enhanced version of our most versatile front projection screen surface with fiberglass backing for enhanced flatness. Fiber glass backing provides unlimited viewing angles with perfectly flat uniformity while giving precise definition and color reproduction with black and white contrast. Screen Surface is durable, mildew resistant and easy to clean.





**Evanesce Series: In-ceiling Home2 Electric/Motorized Screen with IR/RF Remote, 3 Way on-wall switch, in-wall switch module**

Model	Nominal Diagonal	View Height (in)	View Width (in)	View Height (cm)	View Width (cm)	UPS or FedEx	Net Weight (lbs)	Gross Weight (lbs)	Net Weight (kgs)	Gross Weight (kgs)	Packaging Dimension (LxHxW)	Gain	Screen Material	Extra Black Drop (in/cm)
IHome90VW2-E28	90" (4:3)	54.0	72.0	137.2	182.9	Yes	37.1	50.88	16.9	23.1	84.3"x7.5"x8.5"	1.1	MaxWhite-FG	28"/71cm
IHome106VW2-E18	106" (4:3)	63.6	84.8	161.5	215.4	No	40.4	56.48	18.4	25.7	97.3"x7.5"x8.5"	1.1	MaxWhite-FG	18"/46cm
IHome126VW2-E8	126" (4:3)	75.6	100.8	192.0	256.0	No	45.0	62.0	20.5	28.2	114"x7.5"x8.5"	1.1	MaxWhite-FG	8"/20cm
IHome90HW2-E24	90" (16:9)	44.1	78.4	112.1	199.2	Yes	N/A	N/A	0.0	0.0	N/A	1.1	MaxWhite-FG	24"/61cm
IHome106HW2-E18	106" (16:9)	52.0	92.4	132.0	234.7	Yes	43.2	55.5	19.6	25.2	105"x7.5"x8.5"	1.1	MaxWhite-FG	18"/46cm
IHome112HW2-E16	112" (16:9)	54.9	97.6	139.5	248.0	No	42.6	57.7	19.3	26.2	111"x7.5"x8.5"	1.1	MaxWhite-FG	16"/41cm
IHome126HW2-E20	126" (16:9)	61.8	109.8	156.9	278.9	No	N/A	N/A	0.0	0.0	N/A	1.1	MaxWhite-FG	20"/51cm
IHome100XW2-E24	100" (16:10)	53.0	84.8	134.6	215.4	Yes	40.6	55.2	18.5	25.1	98"x7.5"x8.5"	1.1	MaxWhite-FG	24"/61cm
IHome114XW2-E20	114" (16:10)	60.4	96.7	153.5	245.5	No	43.2	59.4	19.6	27.0	109"x7.5"x8.5"	1.1	MaxWhite-FG	20"/51cm
IHome120XW2-E18	120" (16:10)	63.6	101.8	161.5	258.5	No	N/A	N/A	N/A	N/A	N/A	1.1	MaxWhite-FG	18"/46cm
IHome132XW2-E12	132" (16:10)	70.0	111.9	177.7	284.3	No	N/A	N/A	N/A	N/A	N/A	1.1	MaxWhite-FG	12"/30cm
IHome92C-E32	92" (2.35:1)	36.0	84.6	91.4	214.9	N/A	N/A	N/A	N/A	N/A	N/A	1.1	MaxWhite-FG	N/A
IHome101C-E30	101" (2.35:1)	39.5	92.9	100.3	236.0	N/A	N/A	N/A	N/A	N/A	N/A	1.1	MaxWhite-FG	N/A
IHome110C-E24	110" (2.35:1)	43.1	101.2	109.5	257.0	N/A	N/A	N/A	N/A	N/A	N/A	1.1	MaxWhite-FG	N/A
IHome122C-E22	122" (2.35:1)	47.8	112.3	121.4	285.2	N/A	N/A	N/A	N/A	N/A	N/A	1.1	MaxWhite-FG	N/A
IHome134C-E24	134" (2.35:1)	52.5	123.3	133.4	313.2	N/A	N/A	N/A	N/A	N/A	N/A	1.1	MaxWhite-FG	N/A

**Evanesce Series Dimension Table**

Model	Screen Diag. & Aspect Ratio	View Width (A1)	L/R Borders (A2)	Case Length (A4)	Weight Bar Length (A3)	Full Housing Length (A)	View Height (B1)	Screen Fully Deployed Height (B5)	Top Black Masking Border (B2)	Bottom Edge Height (B3)	Case Height (B4)	Overall Height (B)	Case Width (C)	C1	C2	C3	C4
IHOME90VW2-E28	90" (4:3)	1829	95	2072	2012	2022	1372	2183	711	100	118	3187	98	40	125	150	50
IHOME106VW2-E18	106" (4:3)	2155	95	2397	2337	2347	1615	2173	457	100	118	3177	98	40	125	150	50
IHOME126VW2-E8	126" (4:3)	2561	95	2788	2728	2738	1920	2223	203	100	118	3227	98	40	125	150	50
IHOME90HW2-E24	90" (16:9)	1993	95	2225	2165	2175	1120	1830	610	100	118	2834	98	40	125	150	50
IHOME106HW2-E18	106" (16:9)	2347	95	2580	2520	2530	1321	1878	457	100	118	2882	98	40	125	150	50
IHOME112HW2-E16	112" (16:9)	2480	95	2710	2650	2660	1397	1903	406	100	118	2907	98	40	125	150	50
IHOME126HW2-E20	126" (16:9)	2790	95	3022	2962	2972	1570	2178	508	100	118	3182	98	40	125	150	50
IHOME100XW2-E24	100" (16:10)	2155	95	2397	2337	2347	1346	2056	610	100	118	3060	98	40	125	150	50
IHOME114XW2-E20	114" (16:10)	2456	95	2674	2614	2624	1534	2142	508	100	118	3146	98	40	125	150	50
IHOME120XW2-E18	120" (16:10)	2585	95	2820	2760	2770	1615	2173	457	100	118	3177	98	40	125	150	50
IHOME132XW2-E12	132" (16:10)	2844	95	3080	3020	3030	1702	2107	305	100	118	3111	98	40	125	150	50

Unit: mm

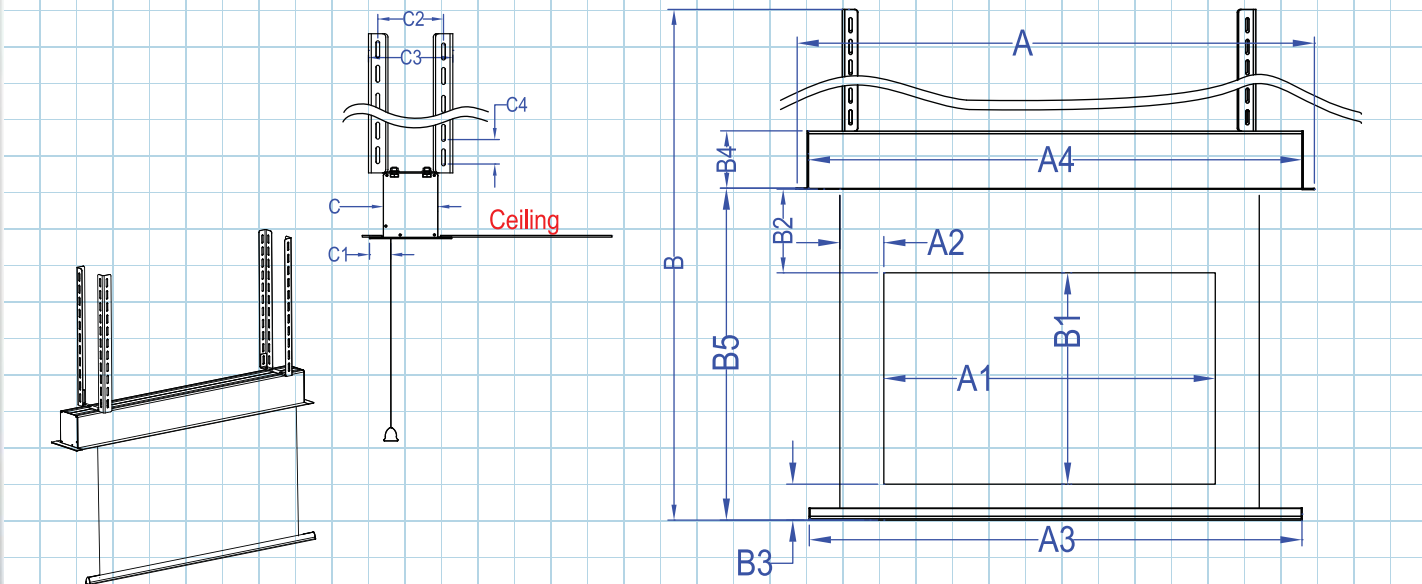
Can't find size and ratio you're looking for? Visit [elitescreens.com/csr](http://elitescreens.com/csr) to create your own

Model	Screen Diag. & Aspect Ratio	View Width (A1)	L/R Borders (A2)	Case Length (A4)	Weight Bar Length (A3)	Full Housing Length (A)	View Height (B1)	Screen Fully Deployed Height (B5)	Top Black Masking Border (B2)	Bottom Edge Height (B3)	Case Height (B4)	Overall Height (B)	Case Width (C)	C1	C2	C3	C4
IHOME90VW2-E28	90" (4:3)	72.0	3.7	81.6	79.2	79.6	54	85.9	28.0	3.9	4.6	125.5	3.9	1.6	4.9	5.9	2.0
IHOME106VW2-E18	106" (4:3)	84.8	3.7	94.4	92.0	92.4	63.6	85.5	18.0	3.9	4.6	125.1	3.9	1.6	4.9	5.9	2.0
IHOME126VW2-E8	126" (4:3)	100.8	3.7	109.8	107.4	107.8	75.6	87.5	8.0	3.9	4.6	127.0	3.9	1.6	4.9	5.9	2.0
IHOME90HW2-E24	90" (16:9)	78.5	3.7	87.6	85.2	85.6	44.1	72.0	24.0	3.9	4.6	111.6	3.9	1.6	4.9	5.9	2.0
IHOME106HW2-E18	106" (16:9)	92.4	3.7	101.6	99.2	99.6	52	73.9	18.0	3.9	4.6	113.5	3.9	1.6	4.9	5.9	2.0
IHOME112HW2-E16	112" (16:9)	97.6	3.7	106.7	104.3	104.7	55	74.9	16.0	3.9	4.6	114.4	3.9	1.6	4.9	5.9	2.0
IHOME126HW2-E20	126" (16:9)	109.8	3.7	119.0	116.6	117.0	61.8	85.7	20.0	3.9	4.6	125.3	3.9	1.6	4.9	5.9	2.0
IHOME100XW2-E24	100" (16:10)	84.8	3.7	94.4	92.0	92.4	53	80.9	24.0	3.9	4.6	120.5	3.9	1.6	4.9	5.9	2.0
IHOME114XW2-E20	114" (16:10)	96.7	3.7	105.3	102.9	103.3	60.4	84.3	20.0	3.9	4.6	123.9	3.9	1.6	4.9	5.9	2.0
IHOME120XW2-E18	120" (16:10)	101.8	3.7	111.0	108.7	109.1	63.6	85.5	18.0	3.9	4.6	125.1	3.9	1.6	4.9	5.9	2.0
IHOME132XW2-E12	132" (16:10)	112.0	3.7	121.3	118.9	119.3	67	82.9	12.0	3.9	4.6	122.5	3.9	1.6	4.9	5.9	2.0

Unit: inch

Can't find size and ratio you're looking for? Visit [elitescreens.com/csr](http://elitescreens.com/csr) to create your own

The listed measurements are for general reference only. Please contact Elite Screens to verify product design and dimensions before attempting to integrate its products with any structural or furniture modification. Although a manufacturer may offer product advice, it may be taken or disregarded at the integrator's discretion. Elite Screens will not be held responsible or be otherwise liable for faulty installations.



# Evanesce Tension Series

- In-Ceiling Electric Tab-Tensioned Front Projection Screen
- Premium Custom Install/ProAV Screens

## FEATURES & BENEFITS

- Available in diagonal sizes ranging from 84" - 139"
- Four aspect ratios to choose from, 4:3, 16:9, 16:10 and 2.35:1
- Optional Custom sizes, aspect ratios and screen material

### Screen Material:

- Award winning Elite CineWhite 1.1 gain black backed PVC screen material
- Tab-tension cords provide uniform flatness on entire projection surface

### Housing Finish and Installation:

- Heavy duty aluminum housing with white finish is strong and moisture resistant
- Disappearing in-ceiling design for non-dedicated media rooms
- Integrated ceiling projection screen ships fully assembled, ready to install

### Control System:

- Internal Radio Frequency/Infrared receivers with IR, RF remotes included
- Low voltage 3-way wall switch included
- 5-12Volt trigger included to synchronize screen operation with the projector's power cycle
- Optional in-wall up/down switch

### Quality and Reliability

- Standard 2-year parts and labor warranty
- 3-year warranty for GEMR (Government, Education, Military and Religious) - US only
- ETL, FCC, CE, CB GOSTCE & ISO9001:2008 Certified



Evanesce Tension Series: In-ceiling tensioned electric screen with IR/RF remotes, 3 way on-wall switch, in-wall module

Model	Nominal Diagonal	View Height (in)	View Width (in)	View Height (cm)	View Width (cm)	UPS or FedEx	Net Weight (lbs)	Gross Weight (lbs)	Net Weight (kgs)	Gross Weight (kgs)	Packaging Dimension (LxHxW)	Gain	Screen Material	Extra Black Drop (in/cm)
ITE84VW2-E30	84" (4:3)	50.4	67.2	128.0	170.7	Yes	26.9	41.5	12.2	18.8	89.1"x6.5"x8"	1.1	CineWhite	30"/76cm
ITE100VW2-E20	100" (4:3)	60.0	80.0	152.4	203.2	Yes	39.5	53.7	17.9	24.4	98"x7.5"x8.5"	1.1	CineWhite	20"/51cm
ITE120VW2-E10	120" (4:3)	72.0	96.0	182.9	243.8	No	44.6	61.6	20.3	28.02	114.5"x7.5"x8.5"	1.1	CineWhite	10"/25.4cm
ITE84HW2-E30	84" (16:9)	41.2	73.2	104.6	185.9	Yes	31.3	43.6	14.2	19.82	94"x7.3"x8.5"	1.1	CineWhite	30"/76.2cm
ITE100HW2-E24	100" (16:9)	49.1	87.2	124.7	221.5	Yes	46.7	62.83	21.2	28.56	107.4"x7.5"x9.8"	1.1	CineWhite	24"/61cm
ITE106HW2-E24	106" (16:9)	52.0	92.4	132.1	234.7	No	47.8	64.37	21.7	29.26	115.5"x7.5"x9.8"	1.1	CineWhite	24"/61cm
ITE120HW2-E20	121" (16:9)	58.8	104.6	149.4	265.7	No	52.7	70.55	24.0	32.07	130"x7.5"x9.8"	1.1	CineWhite	20"/51cm
ITE135HW2-E12	135" (16:9)	66.2	117.7	168.1	299.0	No	52.9	73.41	24.1	33.37	141.8"x7.5"x9.8"	1.1	CineWhite	12"/30cm
ITE94XW2-E30	94" (16:10)	49.8	79.7	126.5	202.4	Yes	38.4	53.9	17.5	24.5	97"x8.5"x7.6	1.1	CineWhite	30"/76cm
ITE108XW2-E24	108" (16:10)	57.2	91.5	145.3	232.4	No	42.8	58.8	19.5	26.73	109.5"x8.5"x7.6	1.1	CineWhite	24"/61cm
ITE114XW2-E20	114" (16:10)	60.4	96.6	153.4	245.4	No			0.0	0	N/A	1.1	CineWhite	20"/51cm
ITE126XW2-E14	126" (16:10)	66.8	106.8	169.5	271.3	No	48.2	66.45	21.9	30.20	124.5"x7.5"x8.5"	1.1	CineWhite	14"/36cm
ITE139XW2-E8	139" (16:10)	73.6	117.8	187.0	299.2	No			0.0	0	N/A	1.1	CineWhite	8"/20cm
ITE95C-E30	95" (2.35:1)	37.2	87.4	94.5	222.0	No	PLEASE VISIT ELITESCREENS.COM		0.0	0	N/A	1.1	CineWhite	30"/76cm
ITE116C-E24	116" (2.35:1)	45.4	106.7	115.3	271.0	No			0.0	0	N/A	1.1	CineWhite	24"/61cm
ITE128C-E24	128" (2.35:1)	50.1	117.8	127.3	299.2	No	51.3	70.59	23.3	32.09	135"x7.5"x8.5"	1.1	CineWhite	18"/46cm
ITE138C-E24	138" (2.35:1)	54.0	126.9	137.2	322.3	No			0.0	0	N/A	1.1	CineWhite	24"/61cm



### Evanescence Series Dimension Table

Model	Screen Diag. & Aspect Ratio	View Width (A)	L/R Black Masking (A1)	Case Length (A2)	Weight Bar Length (A3)	Full Housing Length (A4)	View Height (B1)	Screen Fully Deployed Height (B5)	Top Black Masking Border (B2)	Screen Material to weight bar (B3)	Case Height (B4)	Overall Height (B)	Case Width (C)	Screen Material to wall Distance (C1)	C2	C3	C4
ITE84VW2-E30	84" (4:3)	1706	95	2072	2012	2022	1280	2142	762	100	118	3170	98	40	125	150	50
ITE100VW2-E20	100" (4:3)	2032	95	2397	2337	2347	1524	2132	508	100	118	3160	98	40	125	150	50
ITE120VW2-E10	120" (4:3)	2438	95	2820	2760	2770	1828	2182	254	100	118	3210	98	40	125	150	50
ITE84HW2-E30	84" (16:9)	1860	95	2225	2165	2175	1046	1908	762	100	118	2936	98	40	125	150	50
ITE100HW2-E24	100" (16:9)	2214	95	2580	2520	2530	1245	1955	610	100	118	2983	98	40	125	150	50
ITE106HW2-E24	106" (16:9)	2347	95	2710	2650	2660	1320	2030	610	100	118	3058	98	40	125	150	50
ITE120HW2-E20	120" (16:9)	2657	95	3022	2962	2972	1494	2102	508	100	118	3130	98	40	125	150	50
ITE135HW2-E12	135" (16:9)	2989	95	3360	3300	3310	1681	2086	305	100	118	3114	98	40	125	150	50
ITE94XW2-E30	94" (16:10)	2025	95	2397	2337	2347	1265	2127	762	100	118	3155	98	40	125	150	50
ITE108XW2-E24	108" (16:10)	2326	95	2710	2650	2660	1454	2164	610	100	118	3192	98	40	125	150	50
ITE114XW2-E20	114" (16:10)	2455	95	2820	2760	2770	1534	2142	508	100	118	3170	98	40	125	150	50
ITE126XW2-E14	126" (16:10)	2714	95	3080	3020	3030	1696	2152	356	100	118	3180	98	40	125	150	50
ITE139XW2-E8	139" (16:10)	2994	95	3360	3300	3310	1871	2174	203	100	118	3202	98	40	125	150	50
ITE95C-E30	95" (2.35:1)	2220	95	2580	2520	2530	945	1807	762	100	118	2835	98	40	125	150	50
ITE116C-E24	116" (2.35:1)	2710	95	3080	3020	3030	1153	1863	610	100	118	2891	98	40	125	150	50
ITE128C-E24	128" (2.35:1)	2991	95	3360	3300	3310	1272	1982	610	100	118	3010	98	40	125	150	50
ITE138C-E24	138" (2.35:1)	3225	95	3590	3530	3540	1372	2082	610	100	118	3110	98	40	125	150	50

Unit: mm

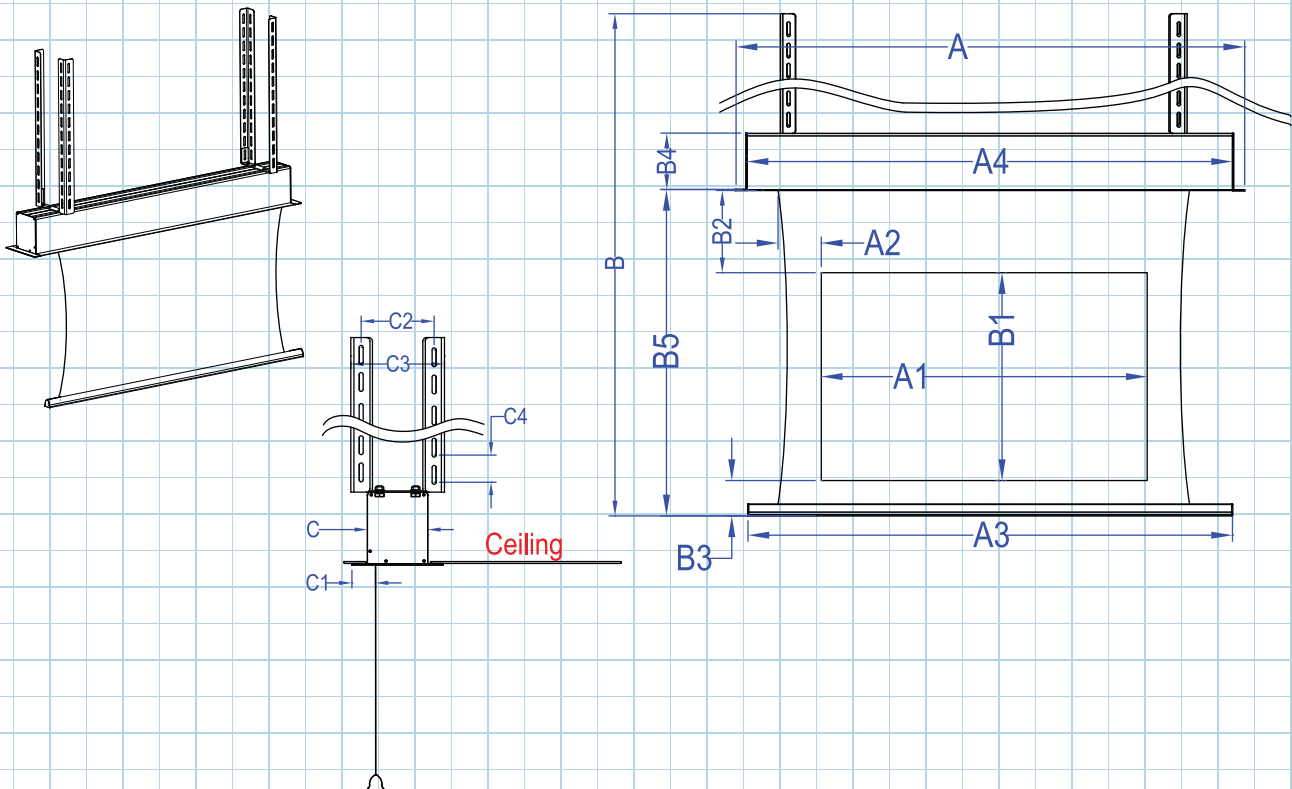
Can't find size and ratio you're looking for? Visit [elitescreens.com/csr](http://elitescreens.com/csr) to create your own

Model	Screen Diag. & Aspect Ratio	View Width (A)	L/R Black Masking (A1)	Case Length (A2)	Weight Bar Length (A3)	Full Housing Length (A4)	View Height (B1)	Screen Fully Deployed Height (B5)	Top Black Masking Border (B2)	Screen Material to weight bar (B3)	Case Height (B4)	Overall Height (B)	Case Width (C)	Screen Material to wall Distance (C1)	C2	C3	C4
ITE84VW2-E30	84" (4:3)	67.2	3.7	81.6	79.2	79.6	50.4	84.3	30.0	3.9	4.6	124.8	3.9	1.6	4.9	5.9	2.0
ITE100VW2-E20	100" (4:3)	80.0	3.7	94.4	92.0	92.4	60.0	83.9	20.0	3.9	4.6	124.4	3.9	1.6	4.9	5.9	2.0
ITE120VW2-E10	120" (4:3)	96.0	3.7	111.0	108.7	109.1	72.0	85.9	10.0	3.9	4.6	126.4	3.9	1.6	4.9	5.9	2.0
ITE84HW2-E30	84" (16:9)	73.2	3.7	87.6	85.2	85.6	41.2	75.1	30.0	3.9	4.6	115.6	3.9	1.6	4.9	5.9	2.0
ITE100HW2-E24	100" (16:9)	87.2	3.7	101.6	99.2	99.6	49.0	77.0	24.0	3.9	4.6	117.4	3.9	1.6	4.9	5.9	2.0
ITE106HW2-E24	106" (16:9)	92.4	3.7	106.7	104.3	104.7	52.0	79.9	24.0	3.9	4.6	120.4	3.9	1.6	4.9	5.9	2.0
ITE120HW2-E20	120" (16:9)	104.6	3.7	119.0	116.6	117.0	58.8	82.8	20.0	3.9	4.6	123.2	3.9	1.6	4.9	5.9	2.0
ITE135HW2-E12	135" (16:9)	117.7	3.7	132.3	129.9	130.3	66.2	82.1	12.0	3.9	4.6	122.6	3.9	1.6	4.9	5.9	2.0
ITE94XW2-E30	94" (16:10)	79.7	3.7	94.4	92.0	92.4	49.8	83.7	30.0	3.9	4.6	124.2	3.9	1.6	4.9	5.9	2.0
ITE108XW2-E24	108" (16:10)	91.6	3.7	106.7	104.3	104.7	57.2	85.2	24.0	3.9	4.6	125.7	3.9	1.6	4.9	5.9	2.0
ITE114XW2-E20	114" (16:10)	96.7	3.7	111.0	108.7	109.1	60.4	84.3	20.0	3.9	4.6	124.8	3.9	1.6	4.9	5.9	2.0
ITE126XW2-E14	126" (16:10)	106.9	3.7	121.3	118.9	119.3	66.8	84.7	14.0	3.9	4.6	125.2	3.9	1.6	4.9	5.9	2.0
ITE139XW2-E8	139" (16:10)	117.9	3.7	132.3	129.9	130.3	73.7	85.6	8.0	3.9	4.6	126.1	3.9	1.6	4.9	5.9	2.0
ITE95C-E30	95" (2.35:1)	87.4	3.7	101.6	99.2	99.6	37.2	71.1	30.0	3.9	4.6	111.6	3.9	1.6	4.9	5.9	2.0
ITE116C-E24	116" (2.35:1)	106.7	3.7	121.3	118.9	119.3	45.4	73.3	24.0	3.9	4.6	113.8	3.9	1.6	4.9	5.9	2.0
ITE128C-E24	128" (2.35:1)	117.8	3.7	132.3	129.9	130.3	50.1	78.0	24.0	3.9	4.6	118.5	3.9	1.6	4.9	5.9	2.0
ITE138C-E24	138" (2.35:1)	127.0	3.7	141.3	139.0	139.4	54.0	82.0	24.0	3.9	4.6	122.4	3.9	1.6	4.9	5.9	2.0

Unit: inch

Can't find size and ratio you're looking for? Visit [elitescreens.com/csr](http://elitescreens.com/csr) to create your own

The listed measurements are for general reference only. Please contact Elite Screens to verify product design and dimensions before attempting to integrate its products with any structural or furniture modification. Although a manufacturer may offer product advice, it may be taken or disregarded at the integrator's discretion. Elite Screens will not be held responsible or be otherwise liable for faulty installations.



# Osprey Tension Dual Series

- Dual Format Tensioned Electric Front Projection Screen
- Tab-Tensioned Electric/Motorized Wall Screen



## FEATURES & BENEFITS

**Alternating 16:9 HDTV and 2.35:1 Cinemascope projection screen formats**

**Screen Material:**

- Dual CineWhite 1.1 Gain Tension screen material is flat, durable and easy to clean
- Alternating 2.35:1 and 16:9 aspect ratio screens for anamorphic projectors
- 160 Degree wide-viewing angle for commercial presentation and residential home cinema
- Black backed screen material eliminates light penetration for superior color reproduction
- Black masking enhances picture contrast

**Housing Finish and Installation**

- Aluminum Housing with enamel coating is moisture resistant
- Floating installation brackets are designed for easy alignment
- Ships fully assembled with 3-prong power connection ready to Plug & Play
- Optional Ceiling Trim Kit

**Motor System:**

- Dual Tubular motor allows swift operation with a superior weight tolerance and operational lifespan

**Control System:**

- Infrared & Radio Frequency remotes and wall switch
- Internal IR/RF low voltage receivers
- RJ45 Ethernet connection
- Adjustable vertical limit switch

**Quality and Reliability**

- Standard 2-year parts and labor warranty
- 3-year warranty for GEMR (Government, Education, Military and Religious) - US only
- ETL, FCC, CE, CB GOSTCE & ISO9001:2008 Certified





## Osprey Tension Dual Series

Model	Nominal Diagonal (16:9 / 2.35:1)	View Height (in)	View Width (in)	View Height (cm)	View Width (cm)	UPS or FedEx	Net Weight (lbs)	Gross Weight (lbs)	Net Weight (kgs)	Gross Weight (kgs)	Packaging Dimension (LxHxW)	Gain	Screen Material	Optional Ceiling Trim Kit
DTE97C78H	97" (2.35:1) 78" (16:9)	38 38	89.3 67.5	96.5 96.5	226.8 171.5	No	56.0	72.0	25.5	32.7	109.2"x7"x10"	1.1	CineWhite	ZCU3
DTE110C88H	110" (2.35:1) 88" (16:9)	43 43	101 76.4	109.2 109.2	256.5 194.1	No	52.7	67.9	24.0	30.9	120"x7"x10"	1.1	CineWhite	ZCU3
DTE117C94H	117" (2.35:1) 94" (16:9)	45.8 45.8	107.6 81.4	116.3 116.3	273.3 206.8	No	63.5	79.4	28.9	36.1	127.2"x7.3"x10.2"	1.1	CineWhite	ZCU4
DTE133C106H	133" (2.35:1) 106" (16:9)	52.0 52.0	122.2 92.4	132.1 132.1	310.4 234.7	No	PLEASE VISIT ELITESCREENS.COM					1.1	CineWhite	ZCU5
DTE97C78H-E24	97" (2.35:1) 78" (16:9)	38 38	89.3 67.5	96.5 171.5	226.8 171.5	No	56.0	72.0	25.5	32.7	109.2"x7"x10"	1.1	CineWhite	ZCU3
DTE110C88H-20	110" (2.35:1) 88" (16:9)	43 43	101 76.4	109.2 109.2	256.5 194.1	No	52.7	67.9	24.0	30.9	120"x7"x10"	1.1	CineWhite	ZCU3
DTE117C94H-E16	117" (2.35:1) 94" (16:9)	45.8 45.8	107.6 81.4	116.3 116.3	273.3 206.8	No	63.5	79.4	28.9	36.1	127.2"x7.3"x10.2"	1.1	CineWhite	ZCU4

## Osprey Tension Dual Series Dimension Table

Model	Screen Diag. & Aspect Ratio	View Width (A1)	View Height (B1)	Screen Width (A2)	Screen Material to Bottom Bar (B2)	Case Length (A)	Overall Height (B)	End cap Height (B4)	Screen Material to Wall Distance (C1)	End Cap Width (C)
DTE97C78H	97" (2.35:1)	2267	965.2	2457	1218	2651	1388	170	25	120
DTE97C78H-E24	78" (16:9)	1715	965.2	1905	1218	2651	1388	170	25	120
DTE110C88H	110" (2.35:1)	2565	1092	2755	1345	2952	1515	170	25	120
DTE110C88H-E20	88" (16:9)	1941	1092	2131	1345	2952	1515	170	25	120
DTE117C94H	117" (2.35:1)	2733	1156	2923	1409	3118	1579	170	25	120
DTE117C94H-E16	94" (16:9)	2067.5	1156	2257.5	1409	3118	1579	170	25	120
DTE133C106H	133" (2.35:1)	3102	1320	3292	1573	3482	1743	170	25	120
	106" (16:9)	2347	1320	3292	1573	3482	1743	170	25	120

Unit: mm

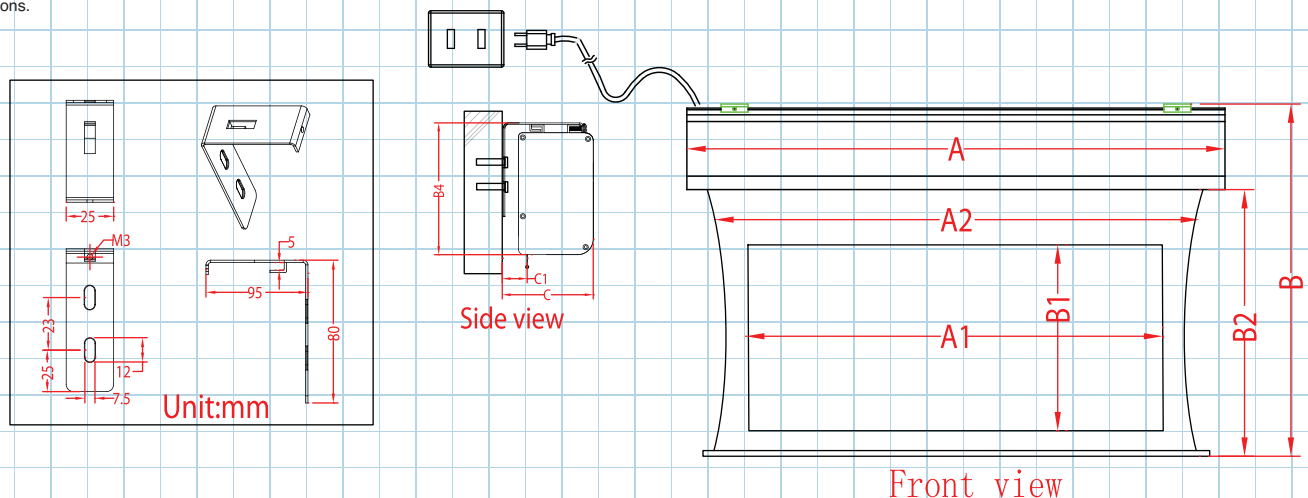
Can't find size and ratio you're looking for? Visit [elitescreens.com/csr](http://elitescreens.com/csr) to create your own

Model	Screen Diag. & Aspect Ratio	View Width (A1)	View Height (B1)	Screen Width (A2)	Screen Material to Bottom Bar (B2)	Case Length (A)	Overall Height (B)	End cap Height (B4)	Screen Material to Wall Distance (C1)	End Cap Width (C)
DTE97C78H	97" (2.35:1)	89.3	38.0	96.7	48.0	104.4	54.6	6.7	1.0	4.7
DTE97C78H-E24	78" (16:9)	67.5	38.0	75.0	48.0	104.4	54.6	6.7	1.0	4.7
DTE110C88H	110" (2.35:1)	101.0	43.0	108.5	53.0	116.2	59.6	6.7	1.0	4.7
DTE110C88H-E20	88" (16:9)	76.4	43.0	83.9	53.0	116.2	59.6	6.7	1.0	4.7
DTE117C94H	117" (2.35:1)	107.6	45.5	115.1	55.5	122.8	62.2	6.7	1.0	4.7
DTE117C94H-E16	94" (16:9)	81.4	45.5	88.9	55.5	122.8	62.2	6.7	1.0	4.7
DTE133C106H	133" (2.35:1)	122.1	52.0	129.6	61.9	137.1	68.6	6.7	1.0	4.7
	106" (16:9)	92.4	52.0	129.6	61.9	137.1	68.6	6.7	1.0	4.7

Unit: inch

Can't find size and ratio you're looking for? Visit [elitescreens.com/csr](http://elitescreens.com/csr) to create your own

The listed measurements are for general reference only. Please contact Elite Screens to verify product design and dimensions before attempting to integrate its products with any structural or furniture modification. Although a manufacturer may offer product advice, it may be taken or disregarded at the integrator's discretion. Elite Screens will not be held responsible or be otherwise liable for faulty installations.



# Kestrel Series

- Electric Floor Rising Front Projection Screen
- Mobile Motorized/Electric Floor Screen

## FEATURES & BENEFITS

### Screen Material:

- MaxWhite Fiber-Glass 1.1 Gain Screen Material is flat, durable and easy to clean.
- 160 degree wide-viewing angle for commercial and residential presentations
- Black masking enhances picture contrast
- Available in 4:3, 16:9 and 2.35:1 aspect ratios

### Housing Finish and Installation

- Heavy Duty Aluminum Housing with enamel coating is moisture resistant.
- Ships fully assembled with 3-prong power connection ready to Plug & Play
- Free-standing projection screen appear and disappear from a touch of button

### Flatness treatment & Motor System:

- Free-standing electric installation has no invasive drawbacks of structural integration
- Tubular motor allows fast swift operation with a superior weight tolerance and operational lifespan
- Fiberglass-backed material has added flatness

### Control System:

- Infrared & Radio Frequency remotes and wall switch
- Internal IR/RF low voltage receivers
- 5-12 volt trigger synchronizes with projector
- Adjustable vertical limit switch
- Optional In-wall up/down switch and wireless 5-12V controls available

### Quality and Reliability

- Standard 2-year parts and labor warranty
- 3-year warranty for GEMR (Government, Education, Military and Religious) - US only
- ETL, FCC, CE, CB GOSTCE & ISO9001:2008 Certified

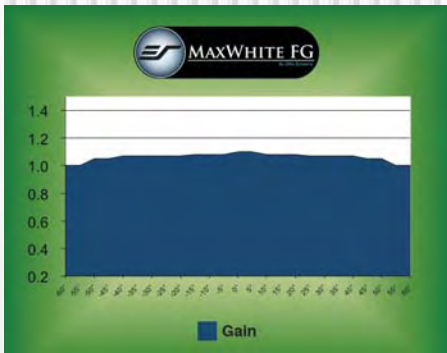
The Kestrel Electric Floor Series has a stylish piano gloss finish that makes it an attractive centerpiece for home theater and high level conference rooms where wall/ceiling installations are not practical. It is suitable for fixed or mobile presentations with the following features:



Durable aluminum black case with piano gloss finish







MaxWhite FG Screen Material is the enhanced version of our most versatile front projection screen surface with fiberglass backing for enhanced flatness. Fiber glass backing provides unlimited viewing angles with perfectly flat uniformity while giving precise definition and color reproduction with black and white contrast. Screen Surface is durable, mildew resistant and easy to clean.



MaxWhite FG Screen Material, Multi-Layer, Cross-Array Coated with Matte White Optical Material. It is flame and mildew resistant.

MaxWhite FG Coating w/ Pattern Texture

Internal Fiber Glass Textured Material

Black Soft Vinyl (Blocks Light Penetration)

### TOTAL CONTROL SOLUTION

- RF remotes provide control options up to a 100' (30.5M) range even with the screen in a concealed location.
- Standard Built-In 5-12 Volt Trigger enables Drop/Rise Cycle to synchronize with the projector's power cycle
- Internal low voltage internal IR/RF receivers eliminates the need for a wall box
- Optional Wireless 5-12V Projector Trigger
- Optional In-wall Up/Down switch



All Elite Electric screens have various control options that work in conjunction with its Low Voltage Controller (LVC). Our 5-12V trigger port uses a standard RJ45 connection that can be utilized with other control attachments.



### Optional ZSP-TR02 Wireless Projector Trigger

- Wireless 5-12 Volt operates the screen with the projector's power cycle via remote control.
- RF(Radio Frequency) long distance control of your Elite electronic screen from up to 100' (30.5M) away
- Functions both as wireless RF Remote control and projector trigger
- Low power consumption with long battery life for up to 5 years or 5000 up/down cycles

### Kestrel Series: Floor Rise Electric/Motorized Projection Screen

Model	Nominal Diagonal	View Height (in)	View Width (in)	View Height (cm)	View Width (cm)	UPS or FedEx	Net Weight (lbs)	Gross Weight (lbs)	Net Weight (kgs)	Gross Weight (kgs)	Packaging Dimension (LxHxW)	Gain	Screen Material	Aluminum Case Color
FE72V	72" (4:3)	43.2	57.6	109.7	146.3	Yes	39.7	50.6	18.0	23.0	80"x9"x12"	1.1	MaxWhite FG	Gloss Black
FE84V	84" (4:3)	50.4	67.2	128.0	170.7	Yes	52.0	66.7	23.6	30.3	80.3"x9"x12"	1.1	MaxWhite FG	Gloss Black
FE92V	92" (4:3)	55.2	73.6	140.2	186.9	Yes	54.5	69.9	24.7	31.7	85.8"x9"x12"	1.1	MaxWhite FG	Gloss Black
FE100V	100" (4:3)	60.0	80.0	152.4	203.2	Yes	61.2	77.7	27.8	35.3	92.5"x9"x12"	1.1	MaxWhite FG	Gloss Black
FE72H	72" (16:9)	34.9	62.0	88.6	157.5	Yes	45.0	52.0	20.4	23.6	80"x9"x12"	1.1	MaxWhite FG	Gloss Black
FE84H	84" (16:9)	41.2	73.2	104.6	185.9	Yes	53.0	69.5	24.1	31.5	86"x9"x12"	1.1	MaxWhite FG	Gloss Black
FE92H	92" (16:9)	45.1	80.2	114.6	203.7	Yes	57.9	73.9	26.3	33.5	92.5"x9"x12"	1.1	MaxWhite FG	Gloss Black
FE100H	100" (16:9)	49.1	87.2	124.7	221.5	Yes	60.6	77.2	27.5	35.0	99"x9"x12"	1.1	MaxWhite FG	Gloss Black
FE115H	115" (16:9)	56.4	100.2	143.3	254.5		PLEASE VISIT ELITESCREENS.COM					1.1	MaxWhite FG	Gloss Black
FE85C	85" (2.35:1)	33.0	77.6	83.8	197.0	Yes	57.3	71.8	26.0	32.6	90.98"x8.86"x12.2"	1.1	MaxWhite FG	Gloss Black
FE92C	92" (2.35:1)	36.0	84.7	91.4	215.1	Yes	60.4	75.7	27.4	34.3	97.4"x8.86"x12.2"	1.1	MaxWhite FG	Gloss Black
FE96C	96" (2.35:1)	37.5	88.1	95.3	223.8	No	64.4	78.3	28.3	35.5	100.9"x9.05"x12.2"	1.1	MaxWhite FG	Gloss Black
FE103C	103" (2.35:1)	40.5	95.2	102.9	241.7	No	62.4	79.0	28.3	35.8	107.48"x8.66"x12.13"	1.1	MaxWhite FG	Gloss Black

**Kestrel Series Dimension Table**

Model	Screen Diag. & Aspect Ratio	Case Length (A)	Top Panel Length (A1)	Screen Width (A2)	View Width (A3)	L/R Black Masking Border (A4)	Top Black Masking Boarder (B3)	Top Panel to Case (B1)	View Height (B2)	Screen Overall Height (B)	Bottom Black Border (B4)
FE72V	72" (4:3)	1666.0	1634.0	1564.0	1463.0	50	76	1951.5	1097.3	2061.5	762.0
FE84V	84" (4:3)	1910.0	1878.0	1807.9	1706.9	50	76	2007.4	1280.2	2117.4	635.0
FE92V	92" (4:3)	2165.0	2133.0	1970.4	1869.4	50	76	2002.3	1402.1	2112.3	508.0
FE100V	100" (4:3)	2255.0	2223.0	2133.0	2032.0	50	76	2225.8	1524.0	2335.8	609.6
FE72H	72" (16:9)	1798.0	1766.0	1695.0	1594.0	50	76	1852.5	896.7	1962.5	863.6
FE84H	84" (16:9)	2064.0	2032.0	1960.6	1859.6	50	76	1950.9	1045.9	2060.9	812.8
FE92H	92" (16:9)	2232.0	2200.0	2137.8	2036.8	50	76	1999.9	1145.7	2109.9	762.0
FE100H	100" (16:9)	2420.0	2388.0	2314.9	2213.9	50	76	2175.5	1245.1	2285.5	838.2
FE85C	85" (2.35:1)	2190.5	2158.5	2087.5	1986.5	50	76	1801.1	845.2	1911.1	863.6
FE92C	92" (2.35:1)	2354.1	2322.1	2251.1	2150.1	50	76	1819.9	914.9	1929.9	812.8
FE96C	96" (2.35:1)	2447.6	2415.6	2344.6	2243.6	50	76	1859.6	954.6	1969.6	812.8
FE103C	103" (2.35:1)	2611.2	2579.2	2508.2	2407.2	50	76	1878.4	1024.2	1988.4	762.0

Unit: mm

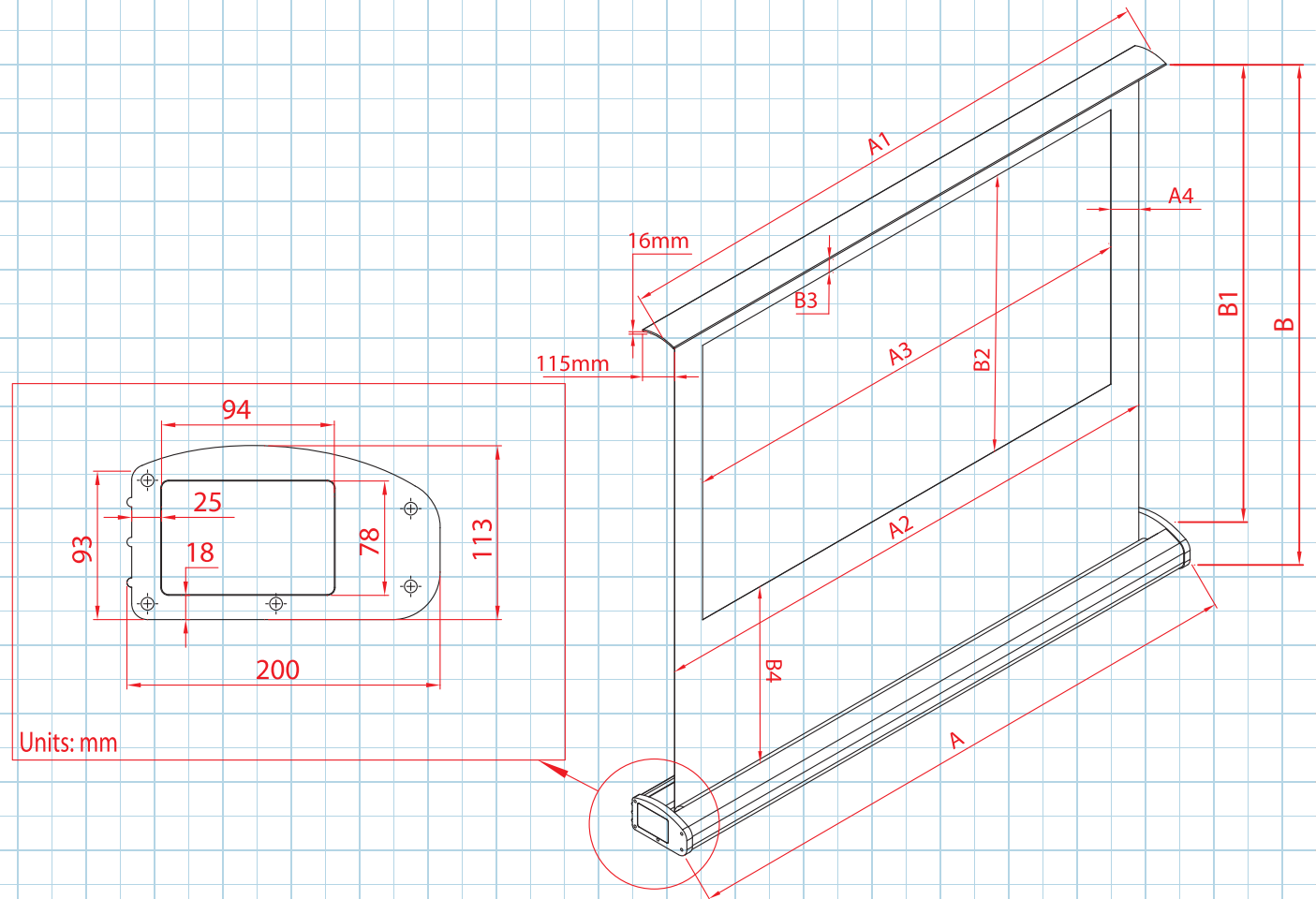
Can't find size and ratio you're looking for? Visit [elitescreens.com/csr](http://elitescreens.com/csr) to create your own

Model	Screen Diag. & Aspect Ratio	Case Length (A)	Top Panel Length (A1)	Screen Width (A2)	View Width (A3)	L/R Black Masking Border (A4)	Top Black Masking Boarder (B3)	Top Panel to Case (B1)	View Height (B2)	Screen Overall Height (B)	Bottom Black Border (B4)
FE72V	72" (4:3)	65.6	64.3	61.6	57.6	2.0	3.0	76.8	43.2	81.2	30.0
FE84V	84" (4:3)	75.2	73.9	71.2	67.2	2.0	3.0	79.0	50.4	83.4	25.0
FE92V	92" (4:3)	85.2	84.0	77.6	73.6	2.0	3.0	78.8	55.2	83.2	20.0
FE100V	100" (4:3)	88.8	87.5	84.0	80.0	2.0	3.0	87.6	60.0	92.0	24.0
FE72H	72" (16:9)	70.8	69.5	66.8	62.8	2.0	3.0	72.9	35.3	77.3	34.0
FE84H	84" (16:9)	81.3	80.0	77.2	73.2	2.0	3.0	76.8	41.2	81.1	32.0
FE92H	92" (16:9)	87.9	86.6	84.2	80.2	2.0	3.0	78.7	45.1	83.1	30.0
FE100H	100" (16:9)	95.3	94.0	91.2	87.2	2.0	3.0	85.6	49.0	90.0	33.0
FE85C	85" (2.35:1)	86.2	85.0	82.2	78.2	2.0	3.0	70.9	33.3	75.2	34.0
FE92C	92" (2.35:1)	92.7	91.4	88.6	84.6	2.0	3.0	71.6	36.0	76.0	32.0
FE96C	96" (2.35:1)	96.4	95.1	92.3	88.3	2.0	3.0	73.2	37.6	77.5	32.0
FE103C	103" (2.35:1)	102.8	101.5	98.8	94.8	2.0	3.0	74.0	40.3	78.3	30.0

Unit: inch

Can't find size and ratio you're looking for? Visit [elitescreens.com/csr](http://elitescreens.com/csr) to create your own

The listed measurements are for general reference only. Please contact Elite Screens to verify product design and dimensions before attempting to integrate its products with any structural or furniture modification. Although a manufacturer may offer product advice, it may be taken or disregarded at the integrator's discretion. Elite Screens will not be held responsible or be otherwise liable for faulty installations.





# Kestrel Tension Series

- Tab-Tensioned Electric Floor Rising Projection Screen
- Premium Grade True-Flat Electric Tension Screen

## FEATURES & BENEFITS

### Screen Material:

- CineWhite 1.1 Gain Tension screen material is durable and easy to clean
- 160 degree wide-viewing angle for commercial and residential presentations
- Black masking enhances picture contrast
- 4 side black masking border to enhance contrast ratio and avoid overscan from projector
- Available in 4:3, 16:9 and 2.35:1 aspect ratios

### Housing Finish and Installation

- Heavy Duty Aluminum Housing with enamel coating is moisture resistant.
- Ships fully assembled with 3-prong power connection ready to Plug & Play
- Free-standing projection screen appear and disappear from a touch of button

### Tension & Motor System:

- CineWhite 1.1 Gain Tab-Tension screen material is taut and flat for all applications
- Tubular motor allows fast swift operation with a superior weight tolerance and operational lifespan
- Free-standing electric installation has no invasive drawbacks of structural integration

### Control System:

- Infrared & Radio Frequency remotes and wall switch
- Internal IR/RF low voltage receivers
- 5-12 volt trigger synchronizes with projector
- Adjustable vertical limit switch
- Optional In-wall up/down switch and wireless 5-12V controls available

### Quality and Reliability

- Standard 2-year parts and labor warranty
- 3-year warranty for GEMR (Government, Education, Military and Religious) - US only
- ETL, FCC, CE, CB GOSTCE & ISO9001:2008 Certified



## Kestrel Tension Series: Floor Rise Tension Electric/Motorized Projection Screen

Model	Nominal Diagonal	View Height (in)	View Width (in)	View Height (cm)	View Width (cm)	UPS or FedEx	Net Weight (lbs)	Gross Weight (lbs)	Net Weight (kgs)	Gross Weight (kgs)	Packaging Dimension (LxHxW)	Gain	Screen Material	Aluminum Case Color
FTE84V	84" (4:3)	50.4	67.2	128.0	170.7	Yes	49.1	69.7	22.3	31.6	85.82"x12.2"x8.86"	1.1	CineWhite	Gloss Black
FTE92V	92" (4:3)	55.2	73.6	140.2	186.9	Yes	52.6	74.5	23.9	33.8	89.96"x12.2"x8.86"	1.1	CineWhite	Gloss Black
FTE80H	80" (16:9)	39.0	69.4	99.1	176.3	Yes	50.0	69.0	23.9	32.5	89.37"x12.2"x8.86"	1.1	CineWhite	Gloss Black
FTE84H	84" (16:9)	41.2	73.2	104.6	185.9	Yes	52.6	71.6	23.9	32.5	89.37"x12.2"x8.86"	1.1	CineWhite	Gloss Black
FTE92H	92" (16:9)	45.1	80.2	114.6	203.7	Yes	57.0	77.5	25.9	35.2	97.44"x12.2"x8.86"	1.1	CineWhite	Gloss Black
FTE100H	100" (16:9)	49.1	80.2	124.7	203.7	PLEASE VISIT ELITESCREENS.COM						1.1	CineWhite	Gloss Black
FTE115H	115" (16:9)	56.4	87.2	143.3	221.5	PLEASE VISIT ELITESCREENS.COM						1.1	CineWhite	Gloss Black
FTE85C	85" (2.35:1)	33.0	77.6	83.8	197.0	Yes	50.6	71.8	23.0	32.6	90.98"x12.2"x8.86"	1.1	CineWhite	Gloss Black
FTE92C	92" (2.35:1)	36.0	84.7	91.4	215.1	Yes	54.2	75.7	24.7	34.3	97.4"x12.2"x8.86"	1.1	CineWhite	Gloss Black
FTE96C	96" (2.35:1)	37.5	88.1	95.3	223.8	No	56.3	78.3	25.6	35.5	100.9"x12.2"x9.05"	1.1	CineWhite	Gloss Black
FTE103C	103" (2.35:1)	40.5	95.2	102.9	241.7	No	59.9	79.0	27.2	35.8	107.48"x12.13"x8.86"	1.1	CineWhite	Gloss Black

### Kestrel Tension Series Dimension Table

Model	Screen Diag. & Aspect Ratio	Case Length (A)	Top Panel Length (A3)	Screen Width (A2)	View Width (A1)	L/R Black Masking Border (A4)	Top Black Masking Boarder (B3)	Top Panel to Case (B2)	View Height (B1)	Screen Overall Height (B)	Bottom Black Border (B4)
FTE84V	84" (4:3)	2021.0	1989.0	1858.9	1706.9	76	76	2134.2	1280.2	2244.2	762.0
FTE92V	92" (4:3)	2174.0	2142.0	2021.4	1869.4	76	76	2103.7	1402.1	2213.7	609.6
FTE80H	80" (16:9)	2086.0	2054.0	1923.1	1771.1	76	76	1901.1	996.3	2011.1	812.8
FTE84H	84" (16:9)	2174.0	2142.0	2011.6	1859.6	76	76	1950.9	1046.1	2060.9	812.8
FTE92H	92" (16:9)	2352.0	2320.0	2188.8	2036.8	76	76	1999.7	1145.7	2109.7	762.0
FTE85C	85" (2.35:1)	2302.0	2270.0	2498.5	2346.5	76	76	1750.0	845.2	1860.0	812.8
FTE92C	92" (2.35:1)	2465.0	2433.0	2302.1	2150.1	76	76	1819.7	914.9	1929.7	812.8
FTE96C	96" (2.35:1)	2558.0	2526.0	2395.6	2243.6	76	76	1859.4	954.6	1969.4	812.8
FTE103C	103" (2.35:1)	2722.0	2690.0	2559.2	2407.2	76	76	1929.0	1024.2	2039.0	812.8

Unit: mm

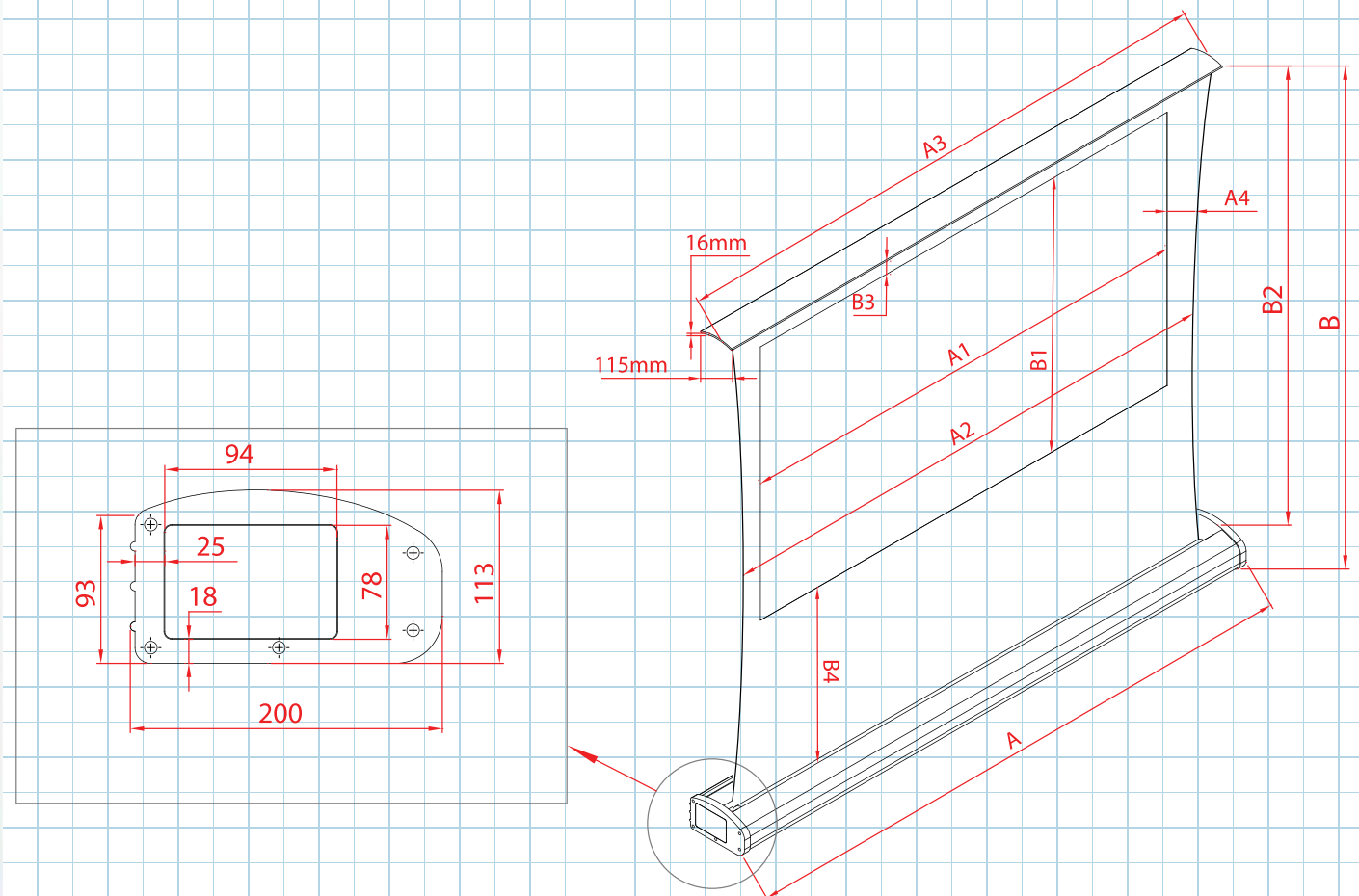
Can't find size and ratio you're looking for? Visit [elitescreens.com/csr](http://elitescreens.com/csr) to create your own

Model	Screen Diag. & Aspect Ratio	Case Length (A)	Top Panel Length (A3)	Screen Width (A2)	View Width (A1)	L/R Black Masking Border (A4)	Top Black Masking Boarder (B3)	Top Panel to Case (B2)	View Height (B1)	Screen Overall Height (B)	Bottom Black Border (B4)
FTE84V	84" (4:3)	79.6	78.3	73.2	67.2	3.0	3.0	84.0	50.4	88.4	30.0
FTE92V	92" (4:3)	85.6	84.3	79.6	73.6	3.0	3.0	82.8	55.2	87.2	24.0
FTE80H	80" (16:9)	82.1	80.9	75.7	69.7	3.0	3.0	74.8	39.2	79.2	32.0
FTE84H	84" (16:9)	85.6	84.3	79.2	73.2	3.0	3.0	76.8	41.2	81.1	32.0
FTE92H	92" (16:9)	92.6	91.3	86.2	80.2	3.0	3.0	78.7	45.1	83.1	30.0
FTE85C	85" (2.35:1)	90.6	89.4	98.4	92.4	3.0	3.0	68.9	33.3	73.2	32.0
FTE92C	92" (2.35:1)	97.0	95.8	90.6	84.6	3.0	3.0	71.6	36.0	76.0	32.0
FTE96C	96" (2.35:1)	100.7	99.4	94.3	88.3	3.0	3.0	73.2	37.6	77.5	32.0
FTE103C	103" (2.35:1)	107.2	105.9	100.8	94.8	3.0	3.0	75.9	40.3	80.3	32.0

Unit: inch

Can't find size and ratio you're looking for? Visit [elitescreens.com/csr](http://elitescreens.com/csr) to create your own

The listed measurements are for general reference only. Please contact Elite Screens to verify product design and dimensions before attempting to integrate its products with any structural or furniture modification. Although a manufacturer may offer product advice, it may be taken or disregarded at the integrator's discretion. Elite Screens will not be held responsible or be otherwise liable for faulty installations.





# Raptor Series

- Electric in-cabinet media stand front projection screen
- Floor Rising Electric Screen



## FEATURES & BENEFITS

### Screen Material:

- MaxWhite Fiber-Glass 1.1 Gain screen material is flat, durable and easy to clean
- 160 degree wide-viewing angle for commercial and residential presentations
- Black backed screen material eliminates light penetration for superior color reproduction
- Black masking enhances picture contrast
- Available in 4:3, 16:9 and 2.35:1 aspect ratios

### Housing Finish and Installation

- Unfinished furniture housing accommodates large disappearing projection screen
- To be integrated structurally or within media room furniture (eg. custom TV console, media stand, etc.)
- May be purchased as a full media stand unit
- Shelf space accommodates media players, disc library and other necessary items
- Optional custom sizes and aspect ratios available

### Motor System:

- Tubular motor allows swift operation with a superior weight tolerance and operational lifespan
- SafeStop IR safety device halts the closing operation when foreign objects are detected
- RJ45 Ethernet connection

### Control System:

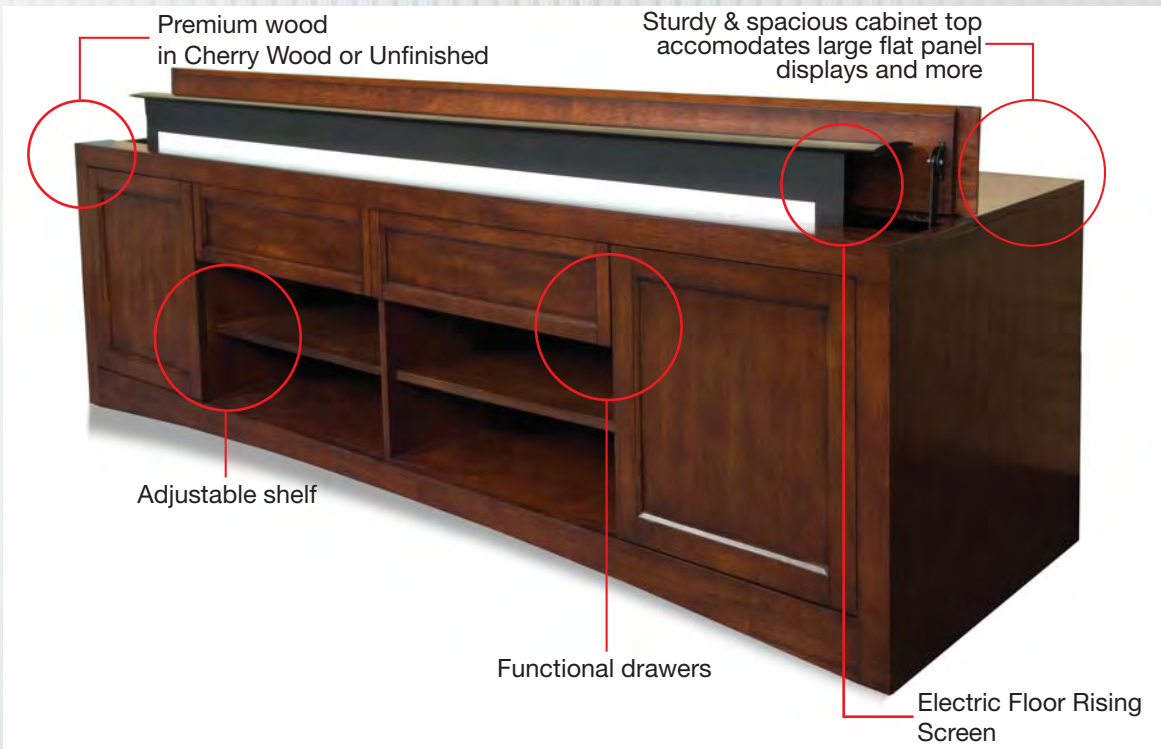
- Standard Infrared IR remote control and 3-way Ethernet wall switch
- Includes Radio Frequency (RF) remote control has a 100' range
- Integrated 5-12 volt trigger to synchronize screen and projector operation
- Low voltage internal IR and RF receivers
- Optional In-Wall switch and 5-12V wireless trigger available

### Quality and Reliability

- Standard 2-year parts and labor warranty
- 3-year warranty for GEMR (Government, Education, Military and Religious) - US only
- ETL, FCC, CE, CB GOSTCE & ISO9001:2008 Certified









**Raptor Series: Cabinet Electric/Motorized Projection Screen with Automatic Door Open**

Model	Nominal Diagonal	View Height (in)	View Width (in)	View Height (cm)	View Width (cm)	UPS or FedEx	Net Weight (lbs)	Gross Weight (lbs)	Net Weight (kgs)	Gross Weight (kgs)	Packaging Dimension (LxHxW)	Gain	Screen Material	Cabinet Color
CFE84H-C	84" (16:9)	41.2	73.2	104.6	185.9	No	274.0	308.5	124.3	139.9	89.75"x28.75"x29.25"	1.1	MaxWhite FG	Cherry Wood
CFE92H-C	92" (16:9)	45.0	80.2	114.3			PLEASE VISIT ELITESCREENS.COM				1.1	MaxWhite FG	Cherry Wood	

**Raptor Series Dimensions Table**

Model	Screen Diag. & Aspect Ratio	Cabinet Length (A)	View Width (A1)	L/R Borders (A2)	Overall Height (B)	View Height (B1)	Screen Fully Deployed Height (B2)	Cabinet Height (B3)	Cabinet Width (C)	C1	C2
CFE84H	84" (16:9)	2400.0	1859.6	50.0	2286.1	1046.1	1656.1	630.0	660.0	370.0	590.0
CFE92H	92" (16:9)	2400.0	2036.8	50.0	2335.7	1145.7	1705.7	630.0	660.0	370.0	590.0

Unit: mm

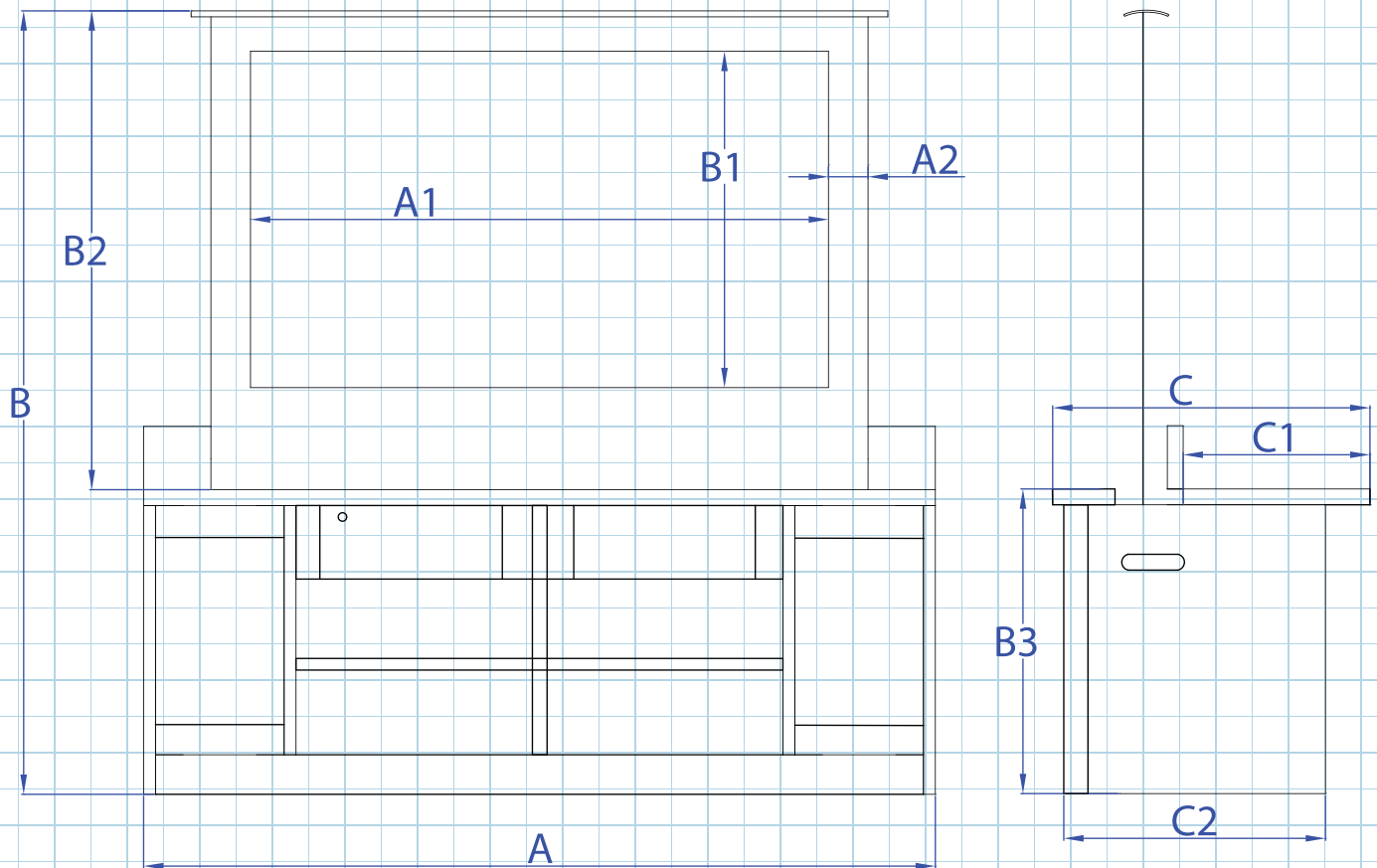
Can't find size and ratio you're looking for? Visit [elitescreens.com/csr](http://elitescreens.com/csr) to create your own

Model	Screen Diag. & Aspect Ratio	Cabinet Length (A)	View Width (A1)	L/R Borders (A2)	Overall Height (B)	View Height (B1)	Screen Fully Deployed Height (B2)	Cabinet Height (B3)	Cabinet Width (C)	C1	C2
CFE84H	84" (16:9)	94.5	73.2	2.0	90.0	41.2	65.2	24.8	26.0	14.6	23.2
CFE92H	92" (16:9)	94.5	80.2	2.0	92.0	45.1	67.2	24.8	26.0	14.6	23.2

Unit: inch

Can't find size and ratio you're looking for? Visit [elitescreens.com/csr](http://elitescreens.com/csr) to create your own

The listed measurements are for general reference only. Please contact Elite Screens to verify product design and dimensions before attempting to integrate its products with any structural or furniture modification. Although a manufacturer may offer product advice, it may be taken or disregarded at the integrator's discretion. Elite Screens will not be held responsible or be otherwise liable for faulty installations.



# Raptor Tension Series

- In-cabinet Electric Tensioned Front Projection Screen
- Tab-Tensioned Floor Rising Electric Screen



## FEATURES & BENEFITS

### Screen Material:

- CineWhite 1.1 Gain Tension screen material is flat, durable and easy to clean
- 160 Degree wide-viewing angle
- Black backed screen material eliminates light penetration for superior color reproduction
- Black masking enhances picture contrast
- Available in 4:3, 16:9 and 2.35:1 aspect ratios

### Housing Finish and Installation

- Unfinished wood furniture accommodates large flat screen TV along with Elite's hidden screen
- Internal TV console modular design may be integrated with custom furniture applications or purchased as a full media stand unit
- Shelf space accommodates media players, disc library and other necessary items
- Optional custom size and ratio available

### Motor System:

- Tubular motor allows swift operation with a superior weight tolerance and operational lifespan
- SafeStop IR safety device halts the closing operation when foreign objects are detected
- RJ45 Ethernet connection

### Control System:

- Standard Infrared IR remote control and 3-way Ethernet wall switch
- Includes Radio Frequency (RF) remote control has a 100' range
- Integrated 5-12 volt trigger to synchronize screen and projector operation
- Low voltage internal IR and RF receivers
- Optional In-Wall switch and 5-12V wireless trigger available

### Quality and Reliability

- Standard 2-year parts and labor warranty
- 3-year warranty for GEMR (Government, Education, Military and Religious) - US only
- ETL, FCC, CE, CB GOSTCE & ISO9001:2008 Certified



**Raptor Tension Series: Cabinet Tension Electric/Motorized Projection Screen with Automatic Door Open**

Model	Nominal Diagonal	View Height (in)	View Width (in)	View Height (cm)	View Width (cm)	UPS or FedEx	Net Weight (lbs)	Gross Weight (lbs)	Net Weight (kgs)	Gross Weight (kgs)	Packaging Dimension (LxHxW)	Gain	Screen Material	Cabinet Color
CFTE84H-C	84" (16:9)	41.2	73.2	104.6	185.9	No	274	308.5	124.3	139.9	89.75"x28.75"x29.25"	1.1	CineWhite	Cherry Wood
CFTE88H-C	88" (16:9)	43.0	76.4	109.2	194.1		PLEASE VISIT ELITESCREENS.COM				1.1	CineWhite	Cherry Wood	

**Raptor Tension Series Dimension Table**

Model	Screen Diag. & Aspect Ratio	Cabinet Length (A)	View Width (A1)	L/R Borders (A2)	Overall Height (B)	View Height (B1)	Screen Fully Deployed Height (B2)	Cabinet Height (B3)	Cabinet Width (C)	C1	C2
CFTE84H-C	84" (16:9)	2400.0	1860.0	95.0	2285.0	1046.0	1655.0	630.0	660.0	370.0	590.0
CFTE88H-C	88" (16:9)	2400.0	1948.0	95.0	2426.0	1096.0	1796.0	630.0	660.0	370.0	590.0

Unit: mm

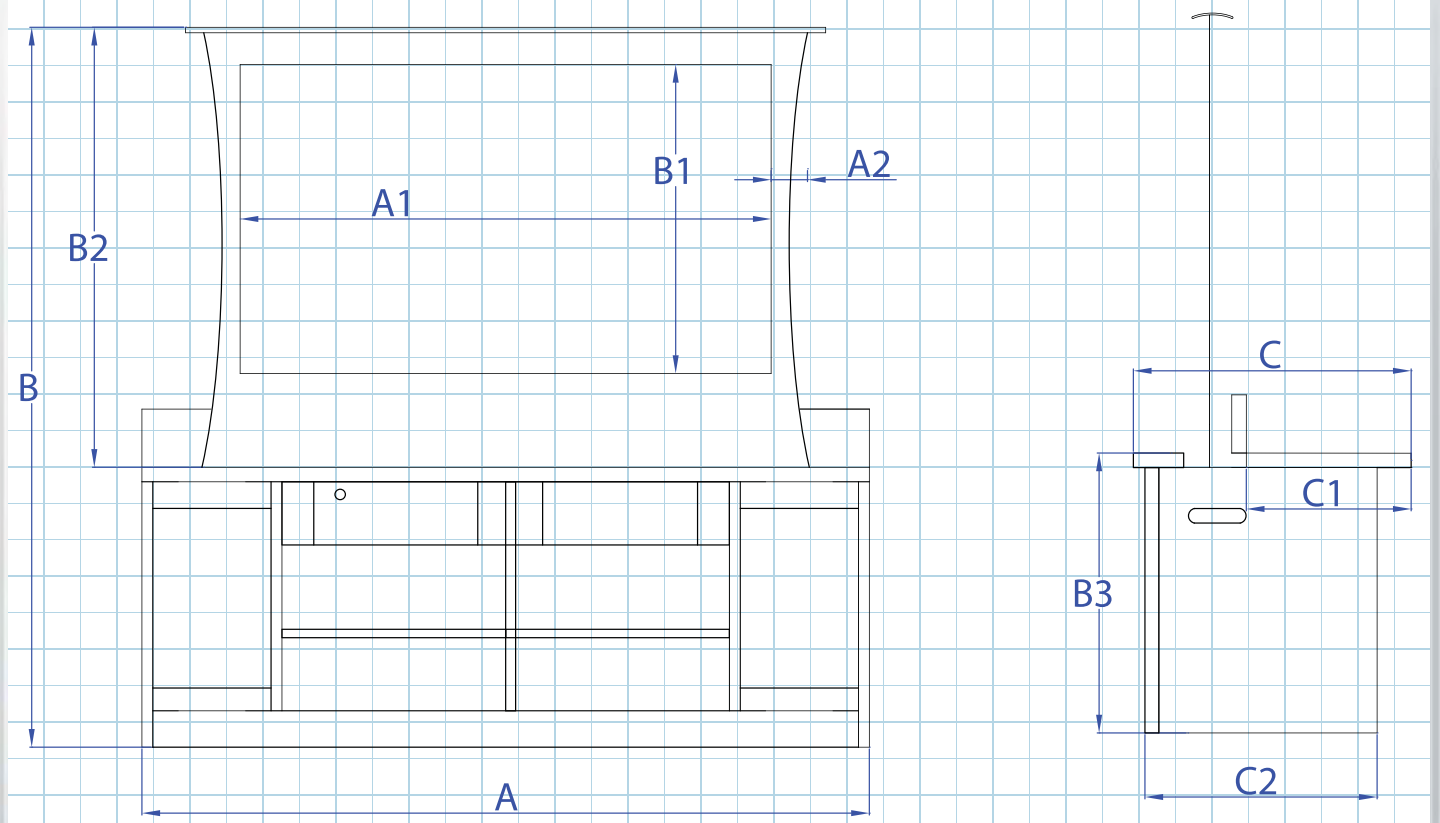
Can't find size and ratio you're looking for? Visit [elitescreens.com/csr](http://elitescreens.com/csr) to create your own

Model	Screen Diag. & Aspect Ratio	Cabinet Length (A)	View Width (A1)	L/R Borders (A2)	Overall Height (B)	View Height (B1)	Screen Fully Deployed Height (B2)	Cabinet Height (B3)	Cabinet Width (C)	C1	C2
CFTE84H-C	84" (16:9)	94.5	73.2	3.7	90.0	41.2	65.2	24.8	26.0	14.6	23.2
CFTE88H-C	88" (16:9)	94.5	76.7	3.7	95.5	43.1	70.7	24.8	26.0	14.6	23.2

Unit: inch

Can't find size and ratio you're looking for? Visit [elitescreens.com/csr](http://elitescreens.com/csr) to create your own

The listed measurements are for general reference only. Please contact Elite Screens to verify product design and dimensions before attempting to integrate its products with any structural or furniture modification. Although a manufacturer may offer product advice, it may be taken or disregarded at the integrator's discretion. Elite Screens will not be held responsible or be otherwise liable for faulty installations.



# Raptor Module Series

- Electric Floor Rising Front Projection Screen
- Modular In-cabinet Electric/Motorized Screen



## FEATURES & BENEFITS

### Screen Material:

- MaxWhite Fiber Glass 1.1  
Gain screen material is flat, durable and easy to clean
- 160 Degree wide-viewing angle
- Black backed screen material eliminates light penetration for superior color reproduction
- Black masking enhances picture contrast
- Available in 4:3, 16:9 and 2.35:1 aspect ratios

### Housing Finish and Installation

- Cherry-wood or unfinished furniture housing accommodates large disappearing projection screen
- To be integrated structurally or within media room furniture (eg. custom TV console, media stand, etc.)
- Optional custom sizes and aspect ratios available

### Motor System:

- Tubular motor allows swift operation with a superior weight tolerance and operational lifespan
- SafeStop IR safety device halts the closing operation when foreign objects are detected
- RJ45 Ethernet connection

### Control System:

- Standard Infrared IR remote control and 3-way Ethernet wall switch
- Includes Radio Frequency (RF) remote control has a 100' range
- Integrated 5-12 volt trigger to synchronize screen and projector operation
- Low voltage internal IR and RF receivers
- Optional In-Wall switch and 5-12V wireless trigger available

### Quality and Reliability

- Standard 2-year parts and labor warranty
- 3-year warranty for GEMR (Government, Education, Military and Religious) - US only
- ETL, FCC, CE, CB GOSTCE & ISO9001:2008 Certified



**Raptor Module Series: Module Floor Electric Screen for Custom Cabinet w/Automatic Door Open**

Model	Nominal Diagonal	View Height (in)	View Width (in)	View Height (cm)	View Width (cm)	UPS or FedEx	Net Weight (lbs)	Gross Weight (lbs)	Net Weight (kgs)	Gross Weight (kgs)	Packaging Dimension (LxHxW)	Gain	Screen Material	Cabinet Color
MFE84H-C	84" (16:9)	41.2	73.2	104.6	185.9	No	220	243.8	100	110.6	98.42"x14.6"x29.1"	1.1	MaxWhite FG	Cherry Wood
MFE92H-C	92" (16:9)	45.0	80.2	114.3	203.7	No	220	243.8	100	110.6	98.42"x14.6"x29.1"	1.1	MaxWhite FG	Cherry Wood

**Raptor Tension Series Dimension Table**

Model	Screen Diag. & Aspect Ratio	Cabinet Length (A)	View Width (A1)	L/R Borders (A2)	Base Foot Width (C)	Overall Height (B)	View Height (B1)	Screen Fully deployed Height (B2)	Cabinet Height (B3)	Base Foot Height (B4)	Cabinet Width (C)	C1
MFE84H-C	84" (16:9)	2400.0	1859.6	50.0	210.0	2031.1	1046.1	1656.1	375	190	350	60
MFE92H-C	92" (16:9)	2400.0	2036.8	50.0	210.0	2080.7	1145.7	1705.7	375	190	350	60

Unit: mm

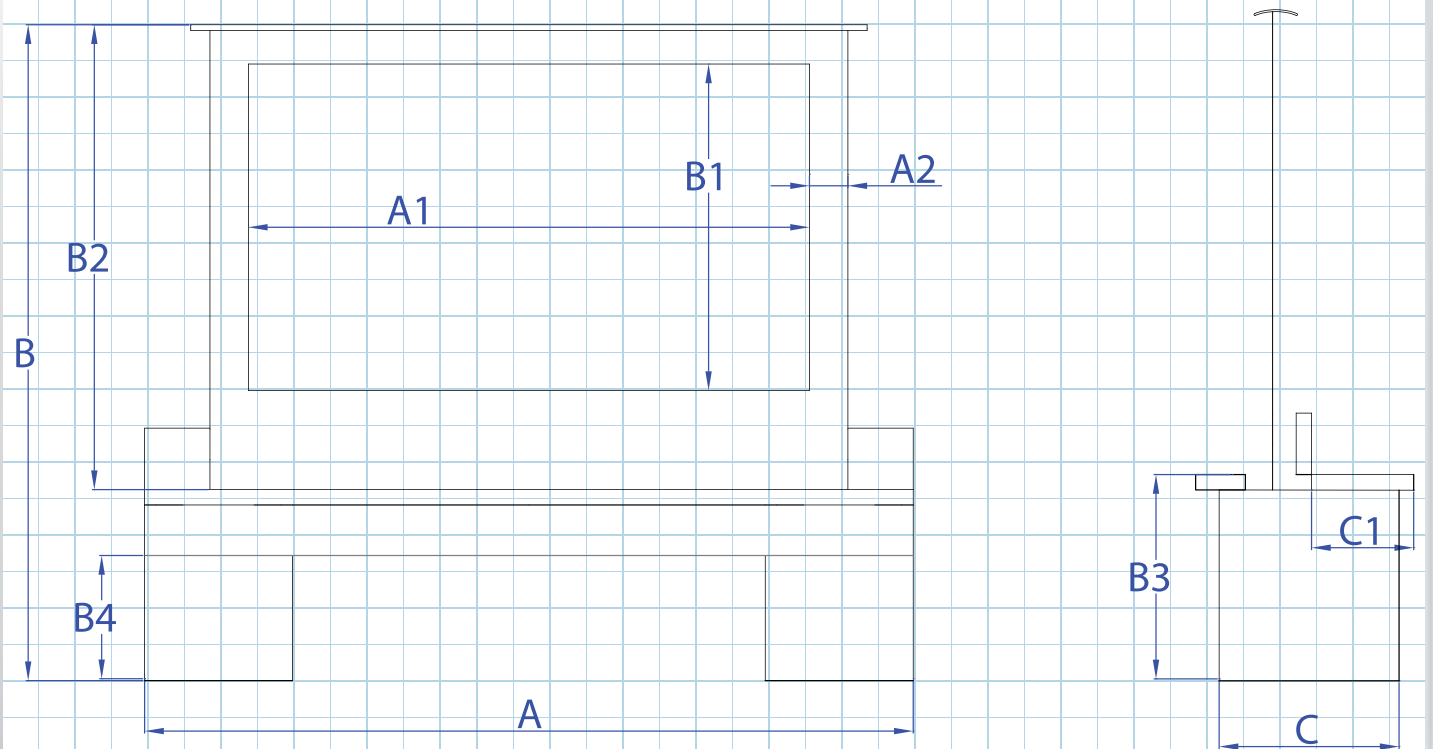
Can't find size and ratio you're looking for? Visit [elitescreens.com/csr](http://elitescreens.com/csr) to create your own

Model	Screen Diag. & Aspect Ratio	Cabinet Length (A)	View Width (A1)	L/R Borders (A2)	Base Foot Width (C)	Overall Height (B)	View Height (B1)	Screen Fully deployed Height (B2)	Cabinet Height (B3)	Base Foot Height (B4)	Cabinet Width (C)	C1
MFE84H-C	84" (16:9)	94.5	73.2	2.0	8.3	80.0	41.2	65.2	14.8	7.5	13.8	2.4
MFE92H-C	92" (16:9)	94.5	80.2	2.0	8.3	81.9	45.1	67.2	14.8	7.5	13.8	2.4

Unit: inch

Can't find size and ratio you're looking for? Visit [elitescreens.com/csr](http://elitescreens.com/csr) to create your own

The listed measurements are for general reference only. Please contact Elite Screens to verify product design and dimensions before attempting to integrate its products with any structural or furniture modification. Although a manufacturer may offer product advice, it may be taken or disregarded at the integrator's discretion. Elite Screens will not be held responsible or be otherwise liable for faulty installations.



# Raptor Module Tension Series

- Tab-Tensioned Electric Floor Rising Front Projection Screen
- Premium Grade modular in-cabinet Electric/Motorized Screen



## FEATURES & BENEFITS

### Screen Material:

- CineWhite 1.1 Gain Tension screen material is flat, durable and easy to clean
- 160 Degree wide-viewing angle
- Black backed screen material eliminates light penetration for superior color reproduction
- Black masking enhances picture contrast
- Available in 4:3, 16:9 and 2.35:1 aspect ratios

### Housing Finish and Installation

- Unfinished wood furniture accommodates large flat screen TV along with Elite's hidden screen
- Internal TV console modular design may be integrated with custom furniture applications or purchased as a full media stand unit
- Shelf space accommodates media players, disc library and other necessary items
- Optional custom size and ratio available

### Motor System:

- Tubular motor allows swift operation with a superior weight tolerance and operational lifespan
- SafeStop IR safety device halts the closing operation when foreign objects are detected
- RJ45 Ethernet connection

### Control System:

- Standard Infrared IR remote control and 3-way Ethernet wall switch
- Includes Radio Frequency (RF) remote control has a 100' range
- Integrated 5-12 volt trigger to synchronize screen and projector operation
- Low voltage internal IR and RF receivers
- Optional In-Wall switch and 5-12V wireless trigger available

### Quality and Reliability

- Standard 2-year parts and labor warranty
- 3-year warranty for GEMR (Government, Education, Military and Religious) - US only
- ETL, FCC, CE, CB GOSTCE & ISO9001:2008 Certified



**Raptor Module Tension Series: Module Floor Electric Screen for Custom Cabinet w/Automatic Door Open**

Model	Nominal Diagonal	View Height (in)	View Width (in)	View Height (cm)	View Width (cm)	UPS or FedEx	Net Weight (lbs)	Gross Weight (lbs)	Net Weight (kgs)	Gross Weight (kgs)	Packaging Dimension (LxHxW)	Gain	Screen Material	Cabinet Color
MFTE78H-C	78" (16:9)	38.5	68.0	97.8	172.7	No	PLEASE VISIT ELITESCREENS.COM					1.1	CineWhite	Cherry Wood
MFTE80H-C	80" (16:9)	39.0	69.4	99.1	176.3	No	PLEASE VISIT ELITESCREENS.COM					1.1	CineWhite	Cherry Wood
MFTE84H-C	84" (16:9)	41.2	73.2	104.6	185.9	No	220.0	243.8	100.0	110.6	98.42"x14.6"x29.1"	1.1	CineWhite	Cherry Wood
MFTE92H-C	92" (16:9)	45.0	80.2	114.3	203.7	No	PLEASE VISIT ELITESCREENS.COM					1.1	CineWhite	Cherry Wood
MFTE78H-U	78" (16:9)	38.5	68.0	97.8	172.7	No	PLEASE VISIT ELITESCREENS.COM					1.1	CineWhite	Unfinished
MFTE84H-U	84" (16:9)	41.2	73.2	104.6	185.9	No	PLEASE VISIT ELITESCREENS.COM					1.1	CineWhite	Unfinished
MFTE92H-U	92" (16:9)	45.0	80.2	114.3	203.7	No	PLEASE VISIT ELITESCREENS.COM					1.1	CineWhite	Unfinished

**Raptor Tension Series Dimension Table**

Model	Screen Diag. & Aspect Ratio	Cabinet Length (A2)	View Width (A)	L/R Borders (A1)	Base Foot Width (A3)	Overall Height (B2)	View Height (B)	Screen Fully deployed Height (B1)	Cabinet Height (B3)	Base Foot Height (B4)	Cabinet Width (C)	C1
MFTE78H-C	78" (16:9)	2400.0	1727.2	95.0	210.0	1956.4	977.9	1581.4	375	190	350	60
MFTE80H-C	80" (16:9)	2400.0	1762.7	95.0	210.0	210.0	990.5	1705.7	375	190	350	60
MFTE84H-C	84" (16:9)	2400.0	1859.6	95.0	210.0	2031.1	1046.1	1656.1	375	190	350	60
MFTE92H-C	92" (16:9)	2400.0	2036.8	95.0	210.0	2080.7	1145.7	1705.7	375	190	350	60

Unit: mm

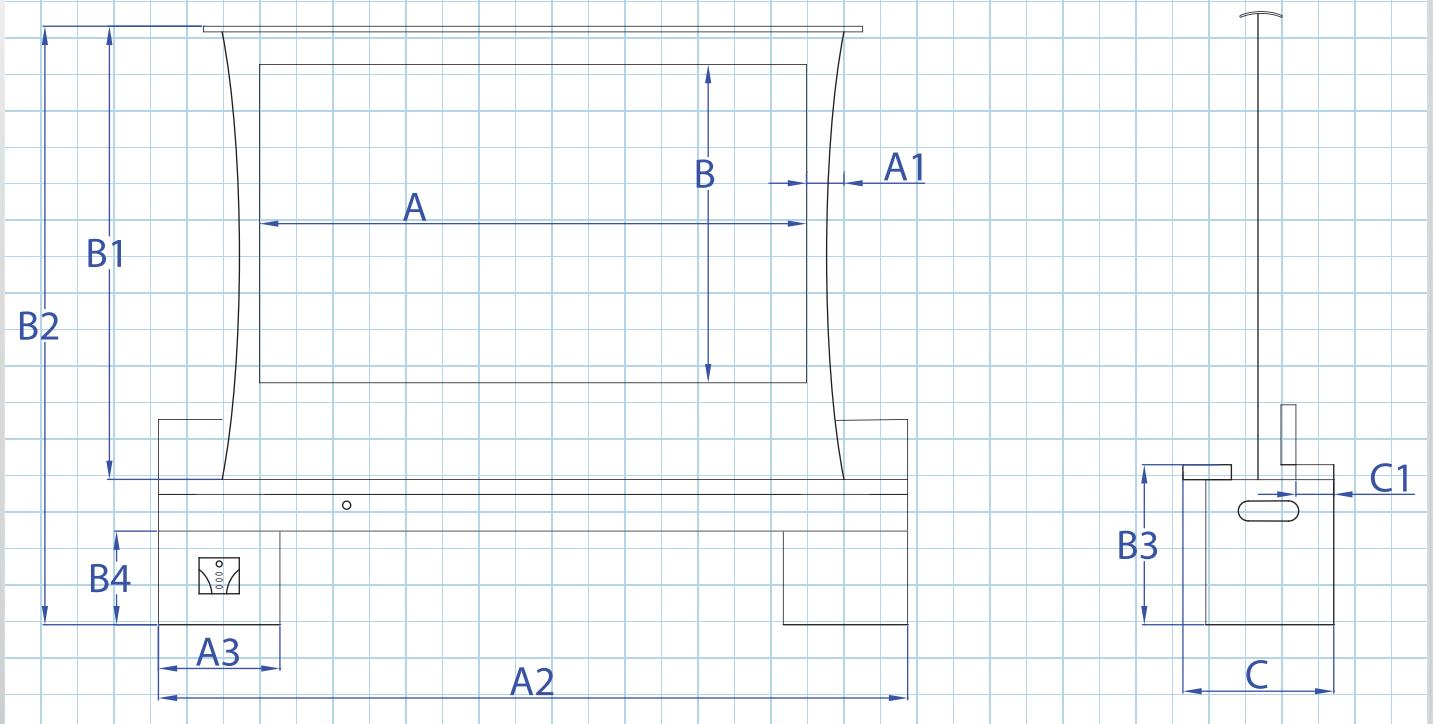
Can't find size and ratio you're looking for? Visit [elitescreens.com/csr](http://elitescreens.com/csr) to create your own

Model	Screen Diag. & Aspect Ratio	Cabinet Length (A2)	View Width (A)	L/R Borders (A1)	Base Foot Width (A3)	Overall Height (B2)	View Height (B)	Screen Fully deployed Height (B1)	Cabinet Height (B3)	Base Foot Height (B4)	Cabinet Width (C)	C1
MFTE78H-C	78" (16:9)	94.5	68.0	3.7	8.3	77.0	38.5	62.3	14.8	7.5	13.8	2.4
MFTE80H-C	80" (16:9)	94.5	69.4	3.7	8.3	80.0	39.0	65.2	14.8	7.5	13.8	2.4
MFTE84H-C	84" (16:9)	94.5	73.2	3.7	8.3	81.9	41.2	67.2	14.8	7.5	13.8	2.4
MFTE92H-C	92" (16:9)	94.5	80.2	3.7	8.3	81.9	45.1	67.2	14.8	7.5	13.8	2.4

Unit: inch

Can't find size and ratio you're looking for? Visit [elitescreens.com/csr](http://elitescreens.com/csr) to create your own

The listed measurements are for general reference only. Please contact Elite Screens to verify product design and dimensions before attempting to integrate its products with any structural or furniture modification. Although a manufacturer may offer product advice, it may be taken or disregarded at the integrator's discretion. Elite Screens will not be held responsible or be otherwise liable for faulty installations.



# SableFrame Series

- Home Cinema Fixed Frame Front Projection Screen
- Entry-level Fixed Frame Screens



## FEATURES & BENEFITS

- Fixed Frame screen is designed for today's 720P and 1080P Home Cinema projectors
- Highly Versatile CineWhite 1.1 flat tensioned screen material
- Standard black backed screen material eliminates light penetration
- Adjustable fix plates provide equal tension over the entire projection surface
- Sliding wall mount is horizontally adjustable for easy picture centering
- Black velvet surfaced 2.36" aluminum contour frame enhances picture contrast
- ETL, FCC, CE, CB GOSTCE & ISO9001:2008 Certified
- Available diagonal sizes from 92", 100", 106", 110" and 120" in 16:9 HDTV format

### Quality and Reliability

- Standard 2-year parts and labor warranty
- 3-year warranty for GEMR (Government, Education, Military and Religious) - US only

### SableFrame Series: Fixed Frame Front Projection Screen for Entry Home Cinema Projector

Model	Nominal Diagonal	View Height (in)	View Width (in)	View Height (cm)	View Width (cm)	UPS or FedEx	Net Weight (lbs)	Gross Weight (lbs)	Net Weight (kgs)	Gross Weight (kgs)	Packaging Dimension (LxHxW)	Gain	Screen Material	Black Velvet Frame Width
ER92WH1	92" (16:9)	45.0	79.9	124.0	221.0	Yes	22.0	31.6	10.0	14.3	54.4"x4.7"x12.5"	1.1	CineWhite	2.36"/6cm
ER100WH1	100" (16:9)	49.0	87.0	132.1	234.2	Yes	24.1	34.2	10.9	15.5	57.9"x4.7"x12.5"	1.1	CineWhite	2.36"/6cm
ER106WH1	106" (16:9)	51.9	92.2	131.8	234.2	Yes	25.2	35.7	11.5	16.2	61.0"x4.7"x12.6"	1.1	CineWhite	2.36"/6cm
ER110WH1	110" (16:9)	54.0	96.0	137.2	243.8	Yes	26.2	36.6	11.9	16.6	63.2"x4.7"x12.5"	1.1	CineWhite	2.36"/6cm
ER120WH1	120" (16:9)	59.0	104.7	167.6	297.2	Yes	28.5	40.1	12.9	18.2	67.8"x4.7"x12.5"	1.1	CineWhite	2.36"/6cm

### SableFrame Series Dimensions Table

Model	Screen Diag. & Aspect Ratio	Overall Width (A1)	Viewing Width (A)	Overall Height (B1)	Viewing Height (B)	Frame Width (C)	Frame Height (D)
ER92WH1	92" (16:9)	2157	2037	1265	1145	60	40
ER100WH1	100" (16:9)	2334	2214	1365	1245	60	40
ER106WH1	106" (16:9)	2467	2347	1440	1320	60	40
ER110WH1	110" (16:9)	2555	2435	1490	1370	60	40
ER120WH1	120" (16:9)	2777	2657	1614	1494	60	40

Unit: mm

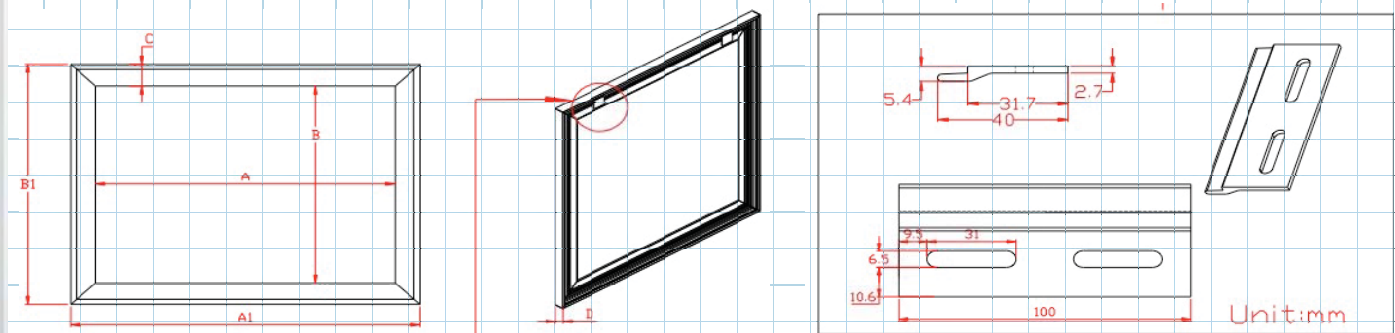
Can't find size and ratio you're looking for? Visit [elitescreens.com/csr](http://elitescreens.com/csr) to create your own

Model	Screen Diag. & Aspect Ratio	Overall Width (A1)	Viewing Width (A)	Overall Height (B1)	Viewing Height (B)	Frame Width (C)	Frame Height (D)
ER92WH1	92" (16:9)	84.9	80.2	49.8	45.1	2.4	1.6
ER100WH1	100" (16:9)	91.9	87.2	53.7	49.0	2.4	1.6
ER106WH1	106" (16:9)	97.1	92.4	56.7	52.0	2.4	1.6
ER110WH1	110" (16:9)	100.6	95.9	58.7	53.9	2.4	1.6
ER120WH1	120" (16:9)	109.3	104.6	63.5	58.8	2.4	1.6

Unit: inch

Can't find size and ratio you're looking for? Visit [elitescreens.com/csr](http://elitescreens.com/csr) to create your own

The listed measurements are for general reference only. Please contact Elite Screens to verify product design and dimensions before attempting to integrate its products with any structural or furniture modification. Although a manufacturer may offer product advice, it may be taken or disregarded at the integrator's discretion. Elite Screens will not be held responsible or be otherwise liable for faulty installations.





# ezFrame Series

- Premium Cinema Fixed Frame Screen
- Home theater Fixed Frame Projection Screen

## FEATURES & BENEFITS

- Award winning Home Theater Screen with full tension uniformity
- Models available with CineWhite 1.1 Gain, CineGrey 1.0 gain, Wraith Veil (rear) 2.2 gain, and AcousticPro1080 (sound transparent) 1.0 Gain material
- Black velvet surfaced 2.36" anodized aluminum angular frame enhances picture contrast
- Easy to assemble and install in minutes
- Sliding wall mounts ensure the installation is properly centered
- Available in 4:3, 16:9 and 16:10 aspect ratios
- Diagonal sizes ranging from 84" - 226"
- Custom sizes are available

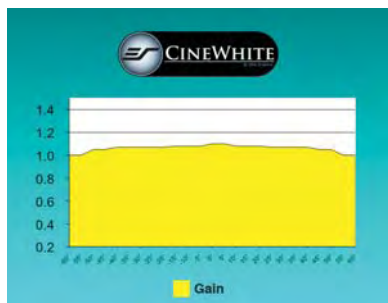
### Quality and Reliability

- Standard 2-year parts and labor warranty
- 3-year warranty for GEMR (Government, Education, Military and Religious) - US only
- ETL, FCC, CE, CB GOSTCE & ISO9001:2008 Certified

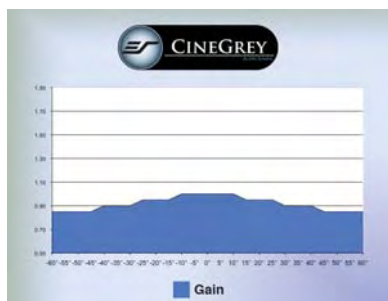


Custom Size Orders can be requested at  
[www.elitescreens.com/csr](http://www.elitescreens.com/csr)

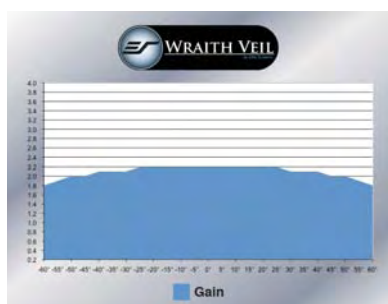
Choose from CineWhite, CineGrey, Wraith Veil, PowerGain,  
and AcousticPro1080.



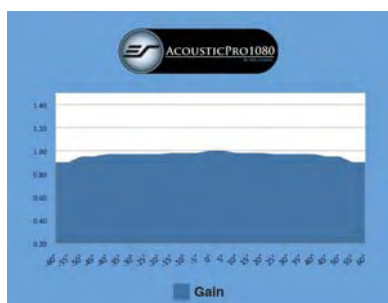
**CineWhite** Tension Screen Material has a wide viewing Angle in 1.1 Gain, suitable for most applications including commercial and home theater presentations.



**CineGrey** Tension Screen Material is best for those using low contrast ratio (LCD) projectors in a home theater environment and need to improve picture black levels.



**Wraith Veil** Elite's rear projection screen material comes in 2.2 high gain to be used in ambient light environments, such as tradeshow, meeting rooms, and outside evening presentations. Its special surface coating enhances color reproduction and black level reproduction with wide diffusion for multiple applications. Optional seamless screen sizes are available up to 200" in 4:3 and 16:9 aspect ratios.



Elite's **AcousticPro1080™** material is designed for use with a native 1080P front projector. It has a special fabric weave for acoustic transparency that greatly reduces light penetration. It is a 1.0 Gain matte white mesh material with outstanding sound quality, damping at 20 KHz only 2.0dB and Max. Attenuation at 20cm is around 1.1db. The side-weave mesh pattern has only a 8% light loss, and coated fabric provides true color rendition to ensure both audio and video quality with each presentation. The Elite AcousticPro1080™ Woven Acoustically Transparent Screen is your best choice for use with high quality in-wall audio installations and 1080P projectors and has a detachable black-backing on its fixed frame models.



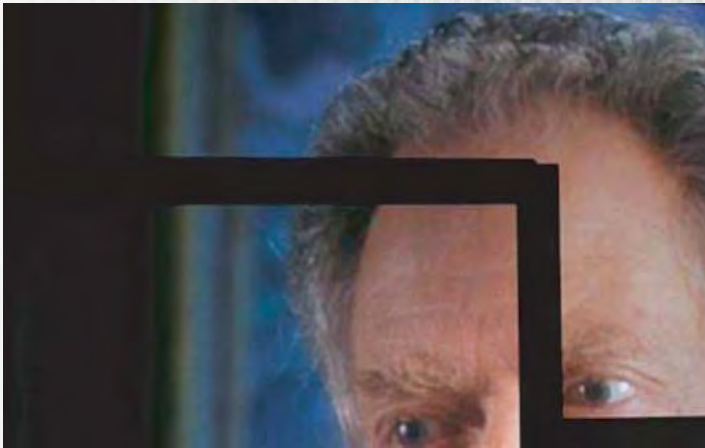


Easily attached Frame Tension System, allows perfect tension uniformity with a simple procedure. Standard Black Backed Screen Material prevents light penetration for superior color reproduction.

The aluminum Sliding Wall Brackets provide the installer with a simple solution to screen installation and adjustable horizontal centering.



Standard 2.36" Black Velvet Suraced Frame enhances the perceived brightness of the projection image with superior contrast and color reproduction for sharper picture quality. Wide-Borders also absorb light overshoot to professionally matte your presentation.



"I found that it had a decent reflectivity to it, but didn't suffer too much from hot spotting (which obviously you would expect from a lower gain screen), nor did it have any sparkles or other anomalies to it. Elite certainly has a good idea here. Good performance, good build quality, and good features in a screen, for a lower price point."

AV Science, NY

fixed wall projector screen is much over double the price. Color was virtually identical, but yellows did appear just a touch stronger than on the Firehawk®. This was very close and not an issue. Overall color was very good. With a 100" 16:9 Elite ezFrame screen selling for about half of a Da-Lite Cinema Contour with ProTrim (their fancy velourish border), and barely a 1/3 of a Stewart Luxus Deluxe, it allows home theater people to own an attractive looking fixed wall screen, with good performance, at a price that simply isn't available from the larger established brands.

*Art Feierman / Projectorreviews.com*

### ezFrame Series: Fixed Frame Front Projection Screen for Advance Commerical and Home Cinema Projector

Model	Nominal Diagonal	View Height (in)	View Width (in)	View Height (cm)	View Width (cm)	UPS or FedEx	Net Weight (lbs)	Gross Weight (lbs)	Net Weight (kgs)	Gross Weight (kgs)	Packaging Dimension (LxHxW)	Gain	Screen Material	Black Velvet Frame Width
R84WV1	84" (4:3)	50.0	67.0	127.0	170.2	Yes	23.4	34.8	10.6	15.8	59.6" x 4.6"x12.5"	1.1	CineWhite	2.36"/6cm
R100WV1	100" (4:3)	60.0	80.0	152.4	203.2	Yes	27.9	40.5	12.7	18.4	69.1" x 4.6" x 12.5"	1.1	CineWhite	2.36"/6cm
R120WV1	120" (4:3)	72.0	96.0	182.9	243.8	Yes	33.2	47.1	15.1	21.4	81.1" x 4.6" x 12.5"	1.1	CineWhite	2.36"/6cm
R135WV1	135" (4:3)	81.0	108.0	205.7	274.3	Yes	31.9	54.3	14.5	24.6	90.2" x 4.6" x 12.5"	1.1	CineWhite	2.36"/6cm
R150WV1	150" (4:3)	90.0	120.0	228.6	304.8	Yes	45.0	52.0	20.4	23.6	99" x 4.6" x 12.5"	1.1	CineWhite	2.36"/6cm
R180WV1	180" (4:3)	108.0	144.0	274.3	365.8	No	49.1	68.9	22.3	31.3	117" x 4.6" x 12.5"	1.1	CineWhite	2.36"/6cm
R200WV1	200" (4:3)	120.0	160.0	304.8	406.4	No	50.7	72.3	23.0	32.8	129" x 4.6" x 12.5"	1.1	CineWhite	2.36"/6cm
R84RH1	84" (16:9)	41.2	73.3	105.2	186.2	Yes	22.9	32.6	10.4	14.8	50.5"x4.6"x12.5"	1.0	CineGrey	2.36"/6cm
R84WH1	84" (16:9)	41.2	73.3	105.2	186.2	Yes	22.9	32.6	10.4	14.8	50.5"x4.6"x12.5"	1.1	CineWhite	2.36"/6cm
R92H1	92" (16:9)	45.0	79.9	115.1	202.9	Yes	24.0	35.0	10.9	15.9	54.7"x4.6"x12.5"	1.0	CineGrey	2.36"/6cm
R92WH1	92" (16:9)	45.0	79.9	124.0	221.0	Yes	24.0	35.0	10.9	15.9	54.7"x4.6"x12.5"	1.1	CineWhite	2.36"/6cm
R100H1	100" (16:9)	49.0	87.0	124.0	221.0	Yes	25.8	37.6	11.7	17.1	58"x4.6"x12.5"	1.0	CineGrey	2.36"/6cm
R100WH1	100" (16:9)	49.0	87.0	132.1	234.2	Yes	25.8	37.6	11.7	17.1	58"x4.6"x12.5"	1.1	CineWhite	2.36"/6cm
R106H1	106" (16:9)	51.9	92.2	132.1	234.2	Yes	27.8	39.7	12.6	18.0	61"x4.6"x12.5"	1.0	CineGrey	2.36"/6cm
R106WH1	106" (16:9)	51.9	92.2	131.8	234.2	Yes	27.8	39.7	12.6	18.0	61"x4.6"x12.5"	1.1	CineWhite	2.36"/6cm
R110WH1	110" (16:9)	54.0	96.0	137.2	243.8	Yes	28.7	40.8	13.0	18.5	65"x4.6"x12.5"	1.1	CineWhite	2.36"/6cm
R120H1	120" (16:9)	59.0	104.7	149.1	265.9	Yes	30.5	44.0	13.8	20.0	68"x4.6"x12.5"	1.0	CineGrey	2.36"/6cm
R120WH1	120" (16:9)	59.0	104.7	167.6	297.2	Yes	30.5	44.0	13.8	20.0	68"x4.6"x12.5"	1.1	CineWhite	2.36"/6cm
R135H1	135" (16:9)	66.2	117.7	168.1	299.0	Yes	36.4	49.6	16.5	22.5	75.6"x4.6"x12.5"	1.0	CineGrey	2.36"/6cm
R135WH1	135" (16:9)	66.2	117.7	168.1	299.0	Yes	36.4	49.6	16.5	22.5	75.6"x4.6"x12.5"	1.1	CineWhite	2.36"/6cm
R150WH1	150" (16:9)	73.6	130.7	186.9	332.0	Yes	40.8	56.2	18.5	25.5	82.8"x4.6"x12.5"	1.1	CineWhite	2.36"/6cm
R165WH1	165" (16:9)	81.0	144.0	205.7	365.8	Yes	44.1	59.5	20.0	27.0	90"x4.6"x12.5"	1.1	CineWhite	2.36"/6cm
R180WH1	180" (16:9)	88.3	156.9	224.3	398.5	Yes	47.0	68.3	21.3	31.0	97.6"x4.6"x12.5"	1.1	CineWhite	2.36"/6cm
R200WH1	200" (16:9)	98.0	174.0	248.9	442.0	Yes	49.7	69.3	22.3	31.5	107"x4.6"x12.5"	1.1	CineWhite	2.36"/6cm

### ezFrame Rear Series: Fixed Frame Rear Projection Screen for Commercial and Residential

Model	Nominal Diagonal	View Height (in)	View Width (in)	View Height (cm)	View Width (cm)	UPS or FedEx	Net Weight (lbs)	Gross Weight (lbs)	Net Weight (kgs)	Gross Weight (kgs)	Packaging Dimension (LxHxW)	Gain	Screen Material	Black Velvet Frame Width
R84RV1	84" (4:3)	50.0	67.0	127.0	170.2	Yes	23.4	34.8	10.6	15.8	59.6" x 4.6"x12.5"	2.2	Wraith Veil	2.36"/6cm
R100RV1	100" (4:3)	60.0	80.0	152.4	203.2	Yes	27.9	40.5	12.7	18.4	69.1" x 4.6" x 12.5"	2.2	Wraith Veil	2.36"/6cm
R120RV1	120" (4:3)	72.0	96.0	182.9	243.8	Yes	33.2	47.1	15.1	21.4	81.1" x 4.6" x 12.5"	2.2	Wraith Veil	2.36"/6cm
R135RV1	135" (4:3)	81.0	108.0	205.7	274.3	Yes	31.9	54.3	14.5	24.6	90.2" x 4.6" x 12.5"	2.2	Wraith Veil	2.36"/6cm
R150RV1	150" (4:3)	90.0	120.0	228.6	304.8	Yes	45.0	52.0	20.4	23.6	99" x 4.6" x 12.5"	2.2	Wraith Veil	2.36"/6cm
R180RV1	180" (4:3)	108.0	144.0	274.3	365.8	No	49.1	68.9	22.3	31.3	117" x 4.6" x 12.5"	2.2	Wraith Veil	2.36"/6cm
R200RV1	200" (4:3)	120.0	160.0	304.8	406.4	No	50.7	72.3	23.0	32.8	129" x 4.6" x 12.5"	2.2	Wraith Veil	2.36"/6cm
R84RH1	84" (16:9)	41.2	73.3	105.2	186.2	Yes	22.9	32.6	10.4	14.8	50.5"x4.6"x12.5"	2.2	Wraith Veil	2.36"/6cm
R92RH1	92" (16:9)	45.0	79.9	124.0	221.0	Yes	24.0	35.0	10.9	15.9	54.7"x4.6"x12.5"	2.2	Wraith Veil	2.36"/6cm
R100RH1	100" (16:9)	49.0	87.0	132.1	234.2	Yes	25.8	37.6	11.7	17.1	58"x4.6"x12.5"	2.2	Wraith Veil	2.36"/6cm
R106RH1	106" (16:9)	51.9	92.2	131.8	234.2	Yes	27.8	39.7	12.6	18.0	61"x4.6"x12.5"	2.2	Wraith Veil	2.36"/6cm
R110RH1	110" (16:9)	54.0	96.0	137.2	243.8	Yes	28.7	40.8	13.0	18.5	65"x4.6"x12.5"	2.2	Wraith Veil	2.36"/6cm
R120RH1	120" (16:9)	59.0	104.7	167.6	297.2	Yes	30.5	44.0	13.8	20.0	68"x4.6"x12.5"	2.2	Wraith Veil	2.36"/6cm
R135RH1	135" (16:9)	66.2	117.7	168.1	299.0	Yes	36.4	49.6	16.5	22.5	75.6"x4.6"x12.5"	2.2	Wraith Veil	2.36"/6cm
R144RX1	144" (16:10)	76.3	122.0	193.8	309.9	Yes	PLEASE VISIT ELITESCREENS.COM					2.2	Wraith Veil	2.36"/6cm
R171RX1	171" (16:10)	90.4	144.6	229.6	367.3	Yes						2.2	Wraith Veil	2.36"/6cm
R206RX1	206" (16:10)	109.0	174.5	276.9	443.2	Yes						2.2	Wraith Veil	2.36"/6cm
R226RX1	226" (16:10)	119.8	191.7	304.3	486.9	Yes						2.2	Wraith Veil	2.36"/6cm

### ezFrame AcousticPro1080 Series: Fixed Frame Acoustic Sound Transparent Front Projection Screen for Advance Home Cinema 1080P Projector

Model	Nominal Diagonal	View Height (in)	View Width (in)	View Height (cm)	View Width (cm)	UPS or FedEx	Net Weight (lbs)	Gross Weight (lbs)	Net Weight (kgs)	Gross Weight (kgs)	Packaging Dimension (LxHxW)	Gain	Screen Material	Black Velvet Frame Width
R84WH1-A1080	84" (16:9)	41.4	73.3	105.2	186.2	Yes	22.9	32.6	10.4	14.8	50.5"x4.6"x12.5"	1.0	AcousticPro1080	2.36"/6cm
R92WH1-A1080	92" (16:9)	45.3	79.9	115.1	202.9	Yes	24.0	35.0	10.9	15.9	54.7"x4.6"x12.5"	1.0	AcousticPro1080	2.36"/6cm
R100WH1-A1080	100" (16:9)	49.0	87.0	124.5	221.0	Yes	25.8	37.6	11.7	17.1	58"x4.6"x12.5"	1.0	AcousticPro1080	2.36"/6cm
R106WH1-A1080	106" (16:9)	51.9	92.2	132.1	234.2	Yes	27.8	39.7	12.6	18.0	61"x4.6"x12.5"	1.0	AcousticPro1080	2.36"/6cm
R110WH1-A1080	110" (16:9)	54.0	96.0	137.2	243.8	Yes	28.7	40.8	13.0	18.5	65"x4.6"x12.5"	1.0	AcousticPro1080	2.36"/6cm
R120WH1-A1080	120" (16:9)	58.9	104.7	149.1	265.9	Yes	30.5	44.0	13.8	20.0	68"x4.6"x12.5"	1.0	AcousticPro1080	2.36"/6cm
R135WH1-A1080	135" (16:9)	66.2	117.7	167.6	297.2	Yes	36.4	49.6	16.5	22.5	75.6"x4.6"x12.5"	1.0	AcousticPro1080	2.36"/6cm
R150WH1-A1080	150" (16:9)	73.6	130.7	186.9	332.0	Yes	40.8	56.2	18.5	25.5	82.8"x4.6"x12.5"	1.0	AcousticPro1080	2.36"/6cm
R165WH1-A1080	165" (16:9)	81.0	144.0	205.7	365.8	Yes	44.1	59.5	20.0	27.0	90"x4.6"x12.5"	1.0	AcousticPro1080	2.36"/6cm
R180WH1-A1080	180" (16:9)	87.8	156.0	223.0	396.2	Yes	47.0	68.3	21.3	31.0	97.6"x4.6"x12.5"	1.0	AcousticPro1080	2.36"/6cm
R199WH1-A1080	199" (16:9)	98.0	174.0	248.9	442.0	No	49.7	69.3	22.3	31.5	107"x4.6"x12.5"	1.0	AcousticPro1080	2.36"/6cm



**ezFrame Series Dimensions Table**

Model	Screen Diag. & Aspect Ratio	Overall Width (A)	Viewing Width (A1)	Overall Height (B)	Viewing Height (B1)	Frame Width (C)	Frame Height (D)	Net Wight (kgs)
R84H	84" (16:9)	1981.2	1861.8	1170.9	1051.6	60.0	40.0	10.39
R92H	92" (16:9)	2148.8	2029.5	1270.0	1150.6	60.0	40.0	10.87
R100H	100" (16:9)	2329.2	2209.8	1358.9	1239.5	60.0	40.0	11.7
R106H	106" (16:9)	2461.3	2341.9	1440.0	1320.0	60.0	40.0	12.6
R110H	110" (16:9)	2555.0	2435.0	1490.0	1370.0	60.0	40.0	12.2
R120H	120" (16:9)	2778.8	2659.4	1610.4	1491.0	60.0	40.0	13.84
R135H	135" (16:9)	3110.0	2990.0	1800.0	1680.0	60.0	40.0	16.5
R150H	150" (16:9)	3440.0	3320.0	1990.0	1870.0	60.0	40.0	18.27
R165H	165" (16:9)	3772.6	3652.0	2174.0	2054.0	60.0	40.0	19.75
R180H	180" (16:9)	4105.0	3985.0	2360.0	2240.0	60.0	40.0	21.3
R200H	200" (16:9)	4518.0	4398.0	2610.0	2490.0	60.0	40.0	22.25
R84V	84" (4:3)	1827.0	1707.0	1400.0	1280.0	60.0	40.0	10.62
R100V	100" (4:3)	2150.0	2030.0	1640.0	1520.0	60.0	40.0	12.66
R120V	120" (4:3)	2560.0	2440.0	1950.0	1830.0	60.0	40.0	15.07
R135V	135" (4:3)	2860.0	2740.0	2180.0	2060.0	60.0	40.0	14.49
R150V	150" (4:3)	3170.0	3050.0	2410.0	2290.0	60.0	40.0	20.76
R180V	180" (4:3)	3778.0	3658.0	2863.0	2743.0	60.0	40.0	22.25
R200V	200" (4:3)	4184.0	4064.0	3168.0	3048.0	60.0	40.0	23

Unit: mm

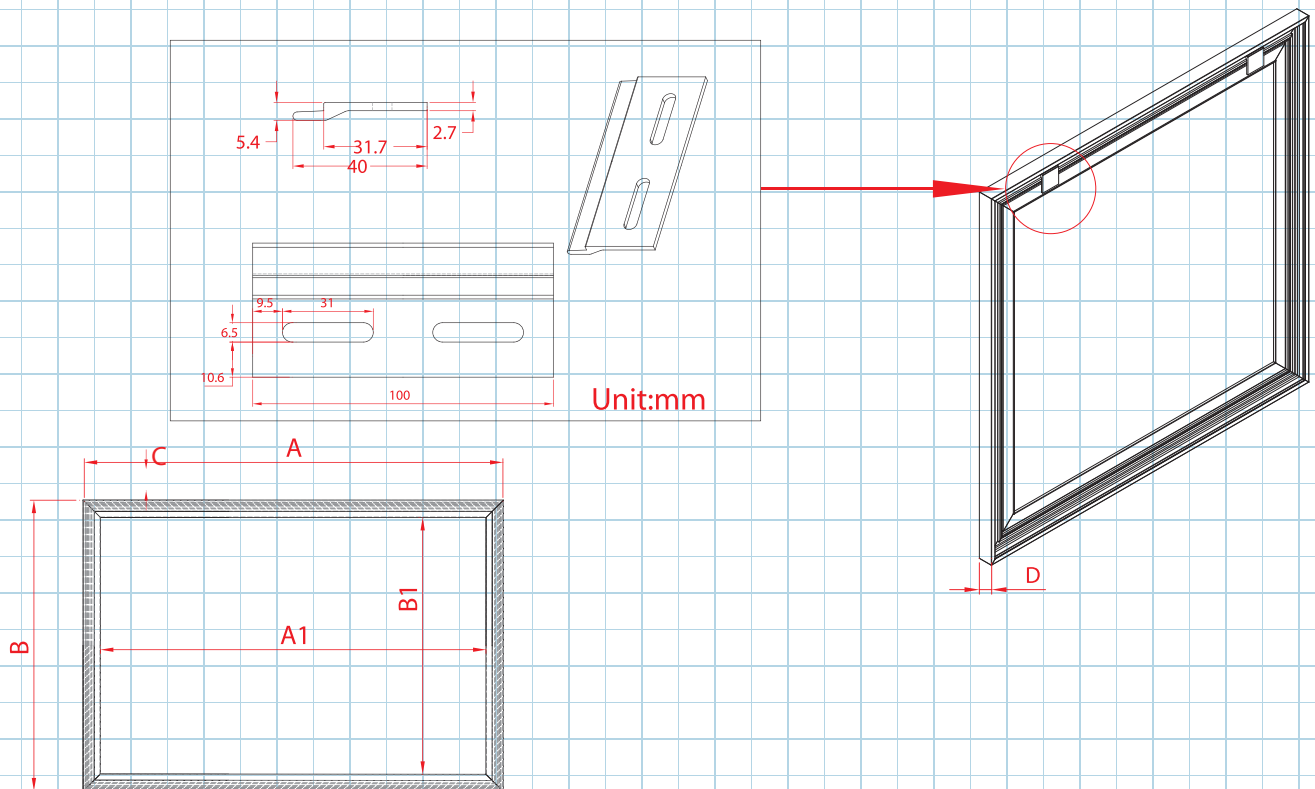
Can't find size and ratio you're looking for? Visit [elitescreens.com/csr](http://elitescreens.com/csr) to create your own

Model	Screen Diag. & Aspect Ratio	Overall Width (A)	Viewing Width (A1)	Overall Height (B)	Viewing Height (B1)	Frame Width (C)	Frame Height (D)	Net Wight (lbs)
R84H	84" (16:9)	78.0	73.3	46.1	41.4	2.4	1.6	22.86
R92H	92" (16:9)	84.6	79.9	50.0	45.3	2.4	1.6	23.91
R100H	100" (16:9)	91.7	87.0	53.5	48.8	2.4	1.6	25.74
R106H	106" (16:9)	96.9	92.2	56.7	52.0	2.4	1.6	27.72
R110H	110" (16:9)	100.6	95.9	58.7	53.9	2.4	1.6	26.84
R120H	120" (16:9)	109.4	104.7	63.4	58.7	2.4	1.6	30.45
R135H	135" (16:9)	122.4	117.7	70.9	66.1	2.4	1.6	36.30
R150H	150" (16:9)	135.4	130.7	78.3	73.6	2.4	1.6	40.19
R165H	165" (16:9)	148.5	143.8	85.6	80.9	2.4	1.6	43.45
R180H	180" (16:9)	161.6	156.9	92.9	88.2	2.4	1.6	46.86
R200H	200" (16:9)	177.9	173.1	102.8	98.0	2.4	1.6	48.95
R84V	84" (4:3)	71.9	67.2	55.1	50.4	2.4	1.6	23.36
R100V	100" (4:3)	84.6	79.9	64.6	59.8	2.4	1.6	27.85
R120V	120" (4:3)	100.8	96.1	76.8	72.0	2.4	1.6	33.15
R135V	135" (4:3)	112.6	107.9	85.8	81.1	2.4	1.6	31.88
R150V	150" (4:3)	124.8	120.1	94.9	90.2	2.4	1.6	45.67
R180V	180" (4:3)	148.7	144.0	112.7	108.0	2.4	1.6	48.95
R200V	200" (4:3)	164.7	160.0	124.7	120.0	2.4	1.6	50.60

Unit: inch

Can't find size and ratio you're looking for? Visit [elitescreens.com/csr](http://elitescreens.com/csr) to create your own

The listed measurements are for general reference only. Please contact Elite Screens to verify product design and dimensions before attempting to integrate its products with any structural or furniture modification. Although a manufacturer may offer product advice, it may be taken or disregarded at the integrator's discretion. Elite Screens will not be held responsible or be otherwise liable for faulty installations.



# Cinema235 Series

- Cinemascope Format Fixed Frame Screen
- Home Cinema Fixed Frame Front Projection Screen



## FEATURES & BENEFITS

- 2.35:1 Ratio Home Theater front projection fixed frame screen with full tension uniformity
- CineWhite 1.1 gain Tension PVC material with black backing
- Anodized black aluminum 2.36" frame thickness with Pro-Trim black velour surfacing to enhance the appearance with the stylish masked border that absorbs light overshoot
- Easy to assemble and install in minutes
- Sliding wall mounts ensure the installation is properly centered
- Sound Transparent versions with AcousticPro1080 screen material also available in sizes 85"-176"

### Quality and Reliability

- Standard 2-year parts and labor warranty
- 3-year warranty for GEMR (Government, Education, Military and Religious) - US only





**Cinema235 Series: Premium Cinema Scope Fixed Frame Front Projection Screen**

Model	Nominal Diagonal	View Height (in)	View Width (in)	View Height (cm)	View Width (cm)	UPS or FedEx	Net Weight (lbs)	Gross Weight (lbs)	Net Weight (kgs)	Gross Weight (kgs)	Packaging Dimension (LxHxW)	Gain	Screen Material	Black Velvet Frame Width
R85WH1-Wide	85" (2.35:1)	33.0	77.6	83.8	197.0	Yes	21.0	27.0	9.5	12.2	86"x4"x9"	1.1	CineWhite	2.36"/6cm
R96WH1-Wide	96" (2.35:1)	37.5	88.1	95.3	223.8	Yes	25.5	33.6	11.6	15.2	96.5"x4.4"x9"	1.1	CineWhite	2.36"/6cm
R103WH1-Wide	103" (2.35:1)	40.5	95.2	102.9	241.7	Yes	27.0	35.6	12.2	16.1	102.4"x4"x9"	1.1	CineWhite	2.36"/6cm
R115WH1-Wide	115" (2.35:1)	45.1	106.0	114.6	269.2	No	27.7	40.0	12.6	18.1	113.4"x9.12"x4.12"	1.1	CineWhite	2.36"/6cm
R125WH1-Wide	125" (2.35:1)	49.0	115.2	124.5	292.5	No	29.5	44.0	13.4	20.0	122.5"x9.13"x4.25"	1.1	CineWhite	2.36"/6cm
R138WH1-Wide	138" (2.35:1)	54.0	126.9	137.2	322.3	No	33.7	51.0	15.3	23.1	134.75"x9.25"x4.5"	1.1	CineWhite	2.36"/6cm
R85H1-Wide	85" (2.35:1)	33.0	77.6	83.8	197.0	Yes	21.0	27.0	9.5	12.2	86"x9"x4"	1.0	CineGrey	2.36"/6cm
R96H1-Wide	96" (2.35:1)	37.5	88.1	95.3	223.8	Yes	25.5	33.6	11.6	15.2	96.5"x4.4"x9.25"	1.0	CineGrey	2.36"/6cm
R103H1-Wide	103" (2.35:1)	40.5	95.2	102.9	241.7	Yes	27.0	35.6	12.2	16.1	102.4"x9.25"x4.13"	1.0	CineGrey	2.36"/6cm
R138H1-Wide	138" (2.35:1)	54.0	126.9	137.2	322.3	No	33.7	51.0	15.3	23.1	134.75"x9.25"x4.5"	1.0	CineGrey	2.36"/6cm

**Cinema235 Series: Cinema Scope Fixed Frame Front Projection Screen**

Model	Nominal Diagonal	View Height (in)	View Width (in)	View Height (cm)	View Width (cm)	UPS or FedEx	Net Weight (lbs)	Gross Weight (lbs)	Net Weight (kgs)	Gross Weight (kgs)	Packaging Dimension (LxHxW)	Gain	Screen Material	Black Velvet Frame Width
R85WH1W-A1080	85" (2.35:1)	33.0	77.6	83.8	197.0	Yes	21.0	27.0	9.5	12.2	86"x9"x4"	1.0	AcousticPro1080	2.36"/6cm
R96WH1W-A1080	96" (2.35:1)	37.5	88.1	95.3	223.8	Yes	25.5	33.6	11.6	15.2	96.5"x4.4"x9.25"	1.0	AcousticPro1080	2.36"/6cm
R103WH1W-A1080	103" (2.35:1)	40.5	95.2	102.9	241.7	Yes	27.0	35.6	12.2	16.1	102.4"x9.25"x4.13"	1.0	AcousticPro1080	2.36"/6cm
R115WH1W-A1080	115" (2.35:1)	45.1	106.0	114.6	269.2	No	27.7	40.0	12.6	18.1	113.4"x9.12"x4.12"	1.0	AcousticPro1080	2.36"/6cm
R125WH1W-A1080	125" (2.35:1)	49.0	115.2	124.5	292.5	No	29.5	44.0	13.4	20.0	122.5"x9.13"x4.25"	1.0	AcousticPro1080	2.36"/6cm
R138WH1W-A1080	138" (2.35:1)	54.0	126.9	137.2	322.3	No	33.7	51.0	15.3	23.1	134.75"x9.25"x4.5"	1.0	AcousticPro1080	2.36"/6cm
R158WH1W-A1080	158" (2.35:1)	65.7	145.0	166.9	368.3	No	PLEASE VISIT ELITESCREENS.COM					1.0	AcousticPro1080	2.36"/6cm
R166WH1W-A1080	166" (2.35:1)	65.0	152.8	165.1	388.0	No						1.0	AcousticPro1080	2.36"/6cm
R176WH1W-A1080	176" (2.35:1)	69.0	162.0	175.3	411.5	No						1.0	AcousticPro1080	2.36"/6cm

**Cinema235 Series Dimension Table**

Model	Screen Diag. & Aspect Ratio	Overall Width (A)	Viewing Width (A1)	Overall Height (B)	Viewing Height (B1)	Frame Width (C)	Frame Height (D)
R85H-WIDE	85" (2.35:1)	2106.0	1986.0	965.0	845.0	60.0	40.0
R96H-WIDE	96" (2.35:1)	2364.0	2244.0	1075.0	955.0	60.0	40.0
R103H-WIDE	103" (2.35:1)	2527.0	2407.0	1144.0	1024.0	60.0	40.0
R115H-WIDE	115" (2.35:1)	2808.0	2688.0	1264.0	1144.0	60.0	40.0
R125H-WIDE	125" (2.35:1)	3041.0	2921.0	1363.0	1243.0	60.0	40.0
R138H-WIDE	138" (2.35:1)	3345.0	3225.0	1492.0	1372.0	60.0	40.0
R158H-WIDE	158" (2.35:1)	3813.0	3693.0	1691.0	1571.0	60.0	40.0
R176H-WIDE	176" (2.35:1)	4233.0	4113.0	1870.0	1750.0	60.0	40.0

Unit: mm

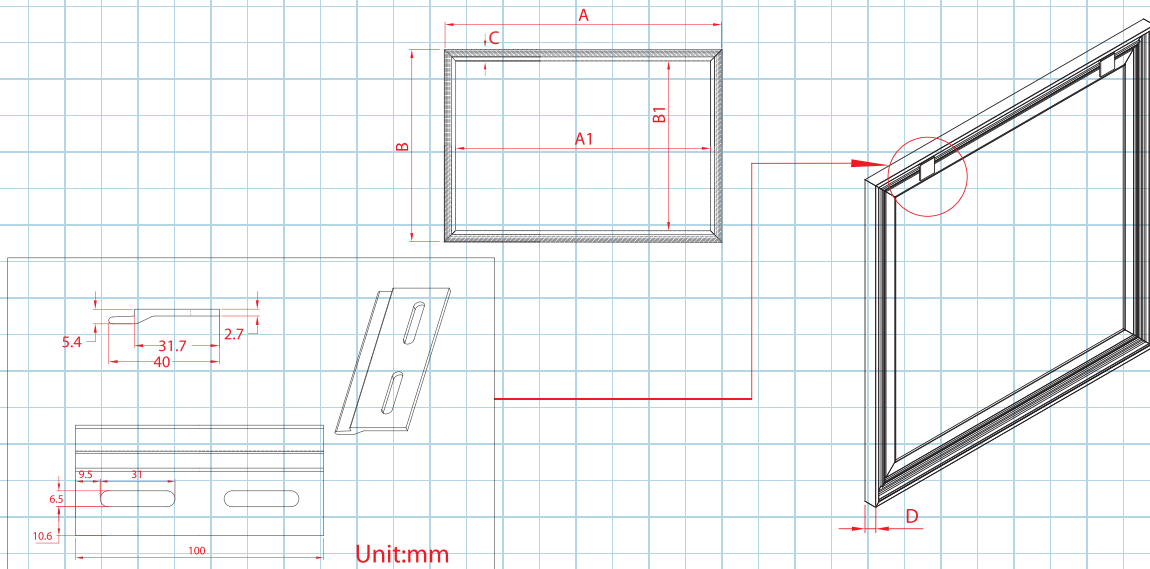
Can't find size and ratio you're looking for? Visit [elitescreens.com/csr](http://elitescreens.com/csr) to create your own

Model	Screen Diag. & Aspect Ratio	Overall Width (A)	Viewing Width (A1)	Overall Height (B)	Viewing Height (B1)	Frame Width (C)	Frame Height (D)
R85H-WIDE	85" (2.35:1)	82.9	78.2	38.0	33.3	2.4	1.6
R96H-WIDE	96" (2.35:1)	93.1	88.3	42.3	37.6	2.4	1.6
R103H-WIDE	103" (2.35:1)	99.5	94.8	45.0	40.3	2.4	1.6
R115H-WIDE	115" (2.35:1)	110.6	105.8	49.8	45.0	2.4	1.6
R125H-WIDE	125" (2.35:1)	119.7	115.0	53.7	48.9	2.4	1.6
R138H-WIDE	138" (2.35:1)	131.7	127.0	58.7	54.0	2.4	1.6
R158H-WIDE	158" (2.35:1)	150.1	145.4	66.6	61.9	2.4	1.6
R176H-WIDE	176" (2.35:1)	166.7	161.9	73.6	68.9	2.4	1.6

Unit: inch

Can't find size and ratio you're looking for? Visit [elitescreens.com/csr](http://elitescreens.com/csr) to create your own

The listed measurements are for general reference only. Please contact Elite Screens to verify product design and dimensions before attempting to integrate its products with any structural or furniture modification. Although a manufacturer may offer product advice, it may be taken or disregarded at the integrator's discretion. Elite Screens will not be held responsible or be otherwise liable for faulty installations.



Unit:mm

# StarBright™ 7 Series

- 7.0 High Gain Front Projection Screen Material
- ProAV/Commercial Fixed Frame Screen



## FEATURES & BENEFITS

The new StarBright™ 7 ultra high 7-gain front projection material uses a series of highly reflective layers with an advanced high contrast filter coating to manage ambient light issues while boosting enhanced color reproduction and black level contrast.

- Award Winning StarBright™ 7 Material
- Ultra High (7) Gain front projection material for home theater and commercial applications
- HCF (High Contrast Filter) enhances bright image reproduction with aided contrast while absorbing ambient light
- Advanced Reflection Layer provides a highly reflective surface suitable for high levels of incidental light
- Finished surface coating maintains the color balance while eliminating “Hot-spotting” artifacts
- Available diagonal sizes from 76"-206" in 4:3, 16:9 and 16:10 formats
- Custom sizes are available

### Quality and Reliability

- Standard 2-year parts and labor warranty
- 3-year warranty for GEMR (Government, Education, Military and Religious) - US only
- ETL, FCC, CE, CB GOSTCE & ISO9001:2008 Certified

**See the difference**



Elite Screens StarBright™ Screen

Standard Matte White Screen



**StarBright™ 7 Series: ProAV and Commercial Fixed Frame Projection Screen**

Model	Nominal Diagonal	View Height (in)	View Width (in)	View Height (cm)	View Width (cm)	UPS or FedEx	Net Weight (lbs)	Gross Weight (lbs)	Net Weight (kgs)	Gross Weight (kgs)	Packaging Dimension (LxHxW)	Gain	Screen Material	Black Velvet Frame
R76GH-G7	76" (16:9)	36.9	65.5	93.7	166.4	Yes	16.8	25.3	7.7	11.5	45.4"x4.5"x12.7"	7.0	StarBright™ 7	2.36"/6cm
R88GH-G7	88" (16:9)	42.8	76.0	108.7	193.0	Yes	25.4	44.2	11.5	20.1	83.7"x3.9"x50.4"	7.0	StarBright™ 7	2.36"/6cm
R92GH-G7	92" (16:9)	45.0	80.0	114.3	203.2	Yes			0.0	0.0	54.7"x4.5"x12.6"	7.0	StarBright™ 7	2.36"/6cm
R103GH-G7	103" (16:9)	50.5	89.8	132.1	234.2	Yes	27.6	47.4	12.5	21.5	59"x4"x12"	7.0	StarBright™ 7	2.36"/6cm
R121GH-G7	121" (16:9)	59.0	104.8	149.9	266.3	Yes	30.5	44.0	13.9	20.0	68"x12.6"x4.49"	7.0	StarBright™ 7	2.36"/6cm
R135GH-G7	135" (16:9)					No			0.0	0.0		7.0	StarBright™ 7	3.5"/8.9cm
R150GH-G7	150" (16:9)					No			0.0	0.0		7.0	StarBright™ 7	3.5"/8.9cm
R180GH-G7	180" (16:9)					No			0.0	0.0		7.0	StarBright™ 7	3.5"/8.9cm
R200GH-G7	200" (16:9)					No			0.0	0.0		7.0	StarBright™ 7	3.5"/8.9cm
R221GH-G7	221" (16:9)					No			0.0	0.0		7.0	StarBright™ 7	3.5"/8.9cm
R79GV-G7	79" (4:3)					Yes			0.0	0.0		7.0	StarBright™ 7	2.36"/6cm
R110GV-G7	110" (4:3)	65.4	87.3	166.2	221.7	Yes	30.6	44.8	13.9	20.3	76.96"x5.7"x12.4"	7.0	StarBright™ 7	3.5"/8.9cm
R126GV-G7	126" (4:3)	75.0	100.1	190.6	254.2	Yes	34.9	50.1	15.9	22.8	85.51"x5.7"x12.4"	7.0	StarBright™ 7	3.5"/8.9cm
R146GV-G7	146" (4:3)	87.0	116.1	221.1	294.8	Yes	33.7	58.9	15.3	26.8	99"x5.7"x12.4"	7.0	StarBright™ 7	3.5"/8.9cm
R182GV-G7	182" (4:3)	108.7	144.9	276.1	368.1	No			0.0	0.0		7.0	StarBright™ 7	3.5"/8.9cm
R84GX-G7	84" (16:10)					No			0.0	0.0		7.0	StarBright™ 7	2.36"/6cm
R90GX-G7	90" (16:10)					Yes			0.0	0.0		7.0	StarBright™ 7	2.36"/6cm
R119GX-G7	119" (16:10)	62.6	100.2	159.1	254.6	Yes	32.5	45.8	14.8	20.8	74.25"x5.7"x12.4"	7.0	StarBright™ 7	3.5"/8.9cm
R144GX-G7	144" (16:10)	75.9	121.4	192.8	308.4	Yes	46.3	55.1	21.0	25.1	88.18"x5.7"x12.4"	7.0	StarBright™ 7	3.5"/8.9cm
R170GX-G7	170" (16:10)	89.7	143.5	227.8	364.4	No	48.0		21.8	0.0		7.0	StarBright™ 7	3.5"/8.9cm
R206GX-G7	206" (16:10)	108.9	174.3	276.7	442.8	No	54.1		24.6	0.0		7.0	StarBright™ 7	3.5"/8.9cm

**ezFrame StarBright™ 7 Series Dimension Table**

Model	Screen Diag. & Aspect Ratio	Overall Width (A)	Viewing Width (A1)	Overall Height (B)	Viewing Height (B1)	Frame Width (C)	Frame Height (D)
R76H-G7	76" (16:9)	1802	1682.0	1066	946.0	60	40
R88H-G7	88" (16:9)	2068	1948.0	1216	1096.0	60	40
R103H-G7	103" (16:9)	2400	2280.0	1403	1283.0	60	40
R121H-G7	121" (16:9)	2799	2679.0	1627	1507.0	60	40
R110GV-G7	110" (4:3)	2355	2235.0	1796	1676.0	60	40
R126GV-G7	126" (4:3)	2700	2580.0	2055	1935.0	60	40
R146GV-G7	146" (4:3)	3087	2967.0	2345	2225.0	60	40
R182GV-G7	180" (4:3)	3818	3698.0	2894	2774.0	60	40
R119GX-G7	119" (16:10)	2683	2563.0	1722	1602.0	60	40
R144GX-G7	144" (16:10)	3222	3102.0	2058	1938.0	60	40
R170GX-G7	171" (16:10)	3803	3683.0	2422	2302.0	60	40
R206GX-G7	206" (16:10)	4557	4437.0	2893	2773.0	60	40

Unit: mm

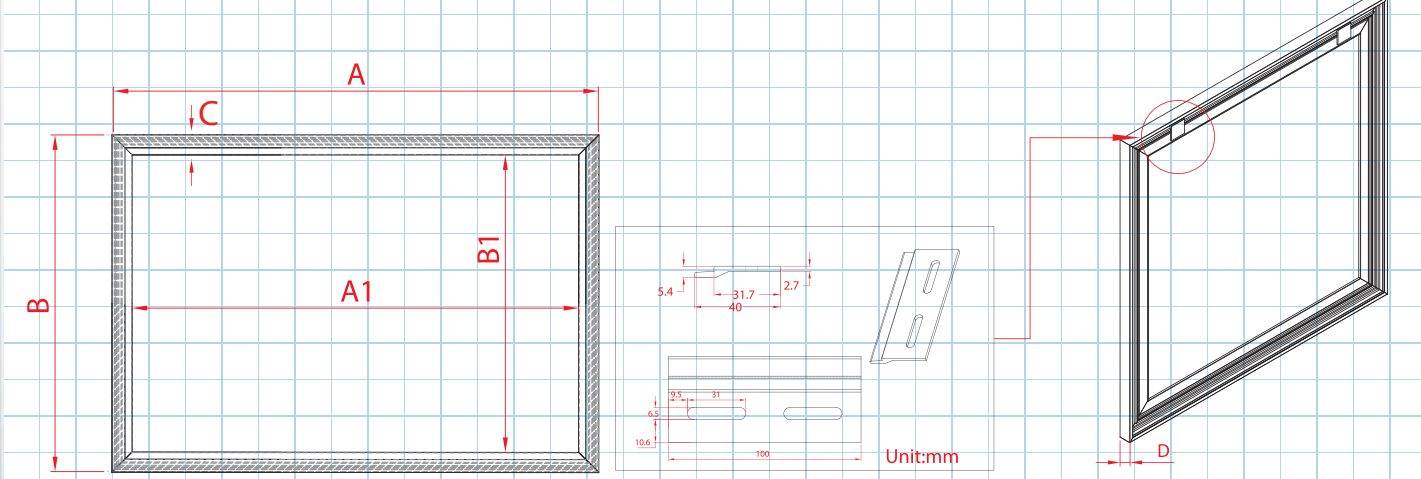
Can't find size and ratio you're looking for? Visit [elitescreens.com/csr](http://elitescreens.com/csr) to create your own

Model	Screen Diag. & Aspect Ratio	Overall Width (A)	Viewing Width (A1)	Overall Height (B)	Viewing Height (B1)	Frame Width (C)	Frame Height (D)
R76H-G7	76" (16:9)	70.9	66.2	42.0	37.2	2.4	1.6
R88H-G7	88" (16:9)	81.4	76.7	47.9	43.1	2.4	1.6
R103H-G7	103" (16:9)	94.5	89.8	55.2	50.5	2.4	1.6
R121H-G7	121" (16:9)	110.2	105.5	64.1	59.3	2.4	1.6
R110GV-G7	110" (4:3)	92.7	88.0	70.7	66.0	2.4	1.6
R126GV-G7	126" (4:3)	106.3	101.6	80.9	76.2	2.4	1.6
R146GV-G7	146" (4:3)	121.5	116.8	92.3	87.6	2.4	1.6
R182GV-G7	180" (4:3)	150.3	145.6	113.9	109.2	2.4	1.6
R119GX-G7	119" (16:10)	105.6	100.9	67.8	63.1	2.4	1.6
R144GX-G7	144" (16:10)	126.9	122.1	81.0	76.3	2.4	1.6
R170GX-G7	171" (16:10)	149.7	145.0	95.4	90.6	2.4	1.6
R206GX-G7	206" (16:10)	179.4	174.7	113.9	109.2	2.4	1.6

Unit: inch

Can't find size and ratio you're looking for? Visit [elitescreens.com/csr](http://elitescreens.com/csr) to create your own

The listed measurements are for general reference only. Please contact Elite Screens to verify product design and dimensions before attempting to integrate its products with any structural or furniture modification. Although a manufacturer may offer product advice, it may be taken or disregarded at the integrator's discretion. Elite Screens will not be held responsible or be otherwise liable for faulty installations.



# Lunette Series

- Curved Frame Home Theatre Projection Screen



## FEATURES & BENEFITS

- Curved design eliminates "pincushioning" and allows a broader field of view for a sense of immersion
- Velvet covered 3.5" width aluminum frame border
- Sliding wall mount is horizontally adjustable for easy picture centering
- 160° Viewing Angle for wide diffusion uniformity
- Black backed screen material eliminates light penetration
- Adjustable fix plates provide equal tension over the entire projection surface
- Available in diagonal sizes 85" - 166" (2.35:1) and 84" - 150" (16:9)
- Choice of CineWhite Gain 1.1 or AcousticPro1080™ (acoustic transparent) Gain 1.0 screen material

### Quality and Reliability

- Standard 2-year parts and labor warranty
- 3-year warranty for GEMR (Government, Education, Military and Religious) - US only



## Lunette Series: Curved Frame Home Theatre Projection Screen

Model	Nominal Diagonal	View Height (in)	View Width (in)	View Height (cm)	View Width (cm)	UPS or FedEx	Net Weight (lbs)	Gross Weight (lbs)	Net Weight (kgs)	Gross Weight (kgs)	Packaging Dimension (LxHxW)	Gain	Screen Material	Black Velvet Frame	Frame Width
Curve235-85W	85" (2.35:1)	33.0	77.6	83.8	197.0	Yes	23.2	39.8	10.5	18.1	90"x5.7"x12.6"	1.1	CineWhite	Yes	3.5"/8.9cm
Curve235-96W	96" (2.35:1)	37.5	88.1	95.3	223.8	Yes	25.0	43.4	11.4	19.7	100.1"x5.7"x12.6"	1.1	CineWhite	Yes	3.5"/8.9cm
Curve235-103W	103" (2.35:1)	40.5	95.2	102.9	241.7	Yes	27.1	42.6	12.3	19.3	106.7"x5.7"x12.6"	1.1	CineWhite	Yes	3.5"/8.9cm
Curve235-115W	115" (2.35:1)	45.1	106.0	114.6	269.2	No	29.6	47.3	13.4	21.5	117.8"x5.7"x12.6"	1.1	CineWhite	Yes	3.5"/8.9cm
Curve235-125W	125" (2.35:1)	49.0	115.2	124.5	292.5	No	32.4	51.1	14.7	23.2	126.1"x5.7"x12.6"	1.1	CineWhite	Yes	3.5"/8.9cm
Curve235-138W	138" (2.35:1)	54.0	126.9	137.2	322.3	No	PLEASE VISIT ELITESCREENS.COM					1.1	CineWhite	Yes	3.5"/8.9cm
Curve235-158W	158" (2.35:1)	61.7	145.0	156.7	368.3	No	41.9	65.2	19.0	29.6	157.2"x13"x6"	1.1	CineWhite	Yes	3.5"/8.9cm
Curve235-166W	166" (2.35:1)	65.0	152.8	165.1	388.0	No	PLEASE VISIT ELITESCREENS.COM					1.1	CineWhite	Yes	3.5"/8.9cm
Curve235-85A1080	85" (2.35:1)	33.0	77.6	83.8	197.0	Yes	23.2	39.8	10.5	18.1	90"x5.7"x12.6"	1.1	AcousticPro1080	Yes	3.5"/8.9cm
Curve235-96A1080	96" (2.35:1)	37.5	88.1	95.3	223.8	Yes	25.0	43.4	11.4	19.7	100.1"x5.7"x12.6"	1.1	AcousticPro1080	Yes	3.5"/8.9cm
Curve235-103A1080	103" (2.35:1)	40.5	95.2	102.9	241.7	Yes	27.1	42.6	12.3	19.3	106.7"x5.7"x12.6"	1.1	AcousticPro1080	Yes	3.5"/8.9cm
Curve235-115A1080	115" (2.35:1)	45.1	106.0	114.6	269.2	No	29.6	47.3	13.4	21.5	117.8"x5.7"x12.6"	1.1	AcousticPro1080	Yes	3.5"/8.9cm
Curve235-125A1080	125" (2.35:1)	49.0	115.2	124.5	292.5	No	32.4	51.1	14.7	23.2	126.1"x5.7"x12.6"	1.1	AcousticPro1080	Yes	3.5"/8.9cm
Curve235-138A1080	138" (2.35:1)	54.0	126.9	137.2	322.3	No	PLEASE VISIT ELITESCREENS.COM					1.1	AcousticPro1080	Yes	3.5"/8.9cm
Curve235-158A1080	158" (2.35:1)	61.7	145.0	156.7	368.3	No	41.9	65.2	19.0	29.6	157.2"x13"x6"	1.1	AcousticPro1080	Yes	3.5"/8.9cm
Curve235-166A1080	166" (2.35:1)	65.0	152.8	165.1	388.0	No	PLEASE VISIT ELITESCREENS.COM					1.1	AcousticPro1080	Yes	3.5"/8.9cm

### Lunette Series Dimension Table

Model	Screen Diag. & Aspect Ratio	Overall Length (A)	View Width (A1)	Frame Width (A2)	Overall Height (B)	View Height (B1)	B2	C	Frame (D)	E
Curve235-85	85" (2.35:1)	2166	1986	90	1025	845	90	86	40	1050
Curve235-96	96" (2.35:1)	2423	2243	90	1134	954	90	98	40	1150
Curve235-103	103" (2.35:1)	2587	2407	90	1204	1024	90	106	40	1200
Curve235-115	115" (2.35:1)	2867	2687	90	1323	1143	90	122	40	1300
Curve235-125	125" (2.35:1)	3101	2921	90	1423	1243	90	136	40	1500
Curve235-138	138" (2.35:1)	3405	3225	90	1552	1372	90	158	40	1600
Curve235-158	158" (2.35:1)	3872	3692	90	1751	1571	90	192	40	1750
Curve235-166	166" (2.35:1)	4060	3880	90	1831	1651	90	N/A	40	N/A

Unit: mm

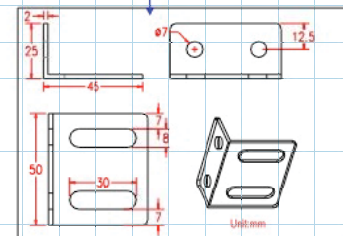
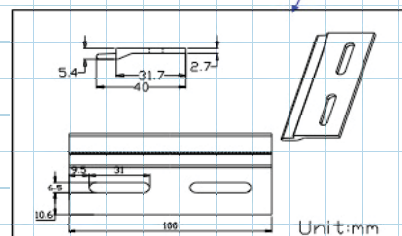
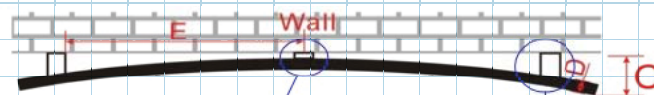
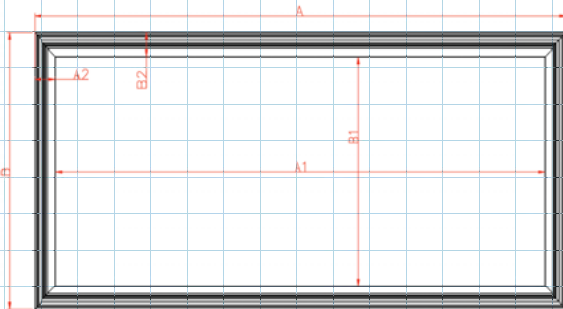
Can't find size and ratio you're looking for? Visit [elitescreens.com/csr](http://elitescreens.com/csr) to create your own

Model	Screen Diag. & Aspect Ratio	Overall Length (A)	View Width (A1)	Frame Width (A2)	Overall Height (B)	View Height (B1)	B2	C	Frame (D)	E
Curve235-85	85" (2.35:1)	85.3	78.2	3.5	40.4	33.3	3.5	3.4	1.6	41.3
Curve235-96	96" (2.35:1)	95.4	88.3	3.5	44.6	37.6	3.5	3.9	1.6	45.3
Curve235-103	103" (2.35:1)	101.9	94.8	3.5	47.4	40.3	3.5	4.2	1.6	47.2
Curve235-115	115" (2.35:1)	112.9	105.8	3.5	52.1	45.0	3.5	4.8	1.6	51.2
Curve235-125	125" (2.35:1)	122.1	115.0	3.5	56.0	48.9	3.5	5.4	1.6	59.1
Curve235-138	138" (2.35:1)	134.1	127.0	3.5	61.1	54.0	3.5	6.2	1.6	63.0
Curve235-158	158" (2.35:1)	152.4	145.4	3.5	68.9	61.9	3.5	7.6	1.6	68.9
Curve235-166	166" (2.35:1)	159.8	152.8	3.5	72.0	65.0	3.5	N/A	1.6	N/A

Unit: inch

Can't find size and ratio you're looking for? Visit [elitescreens.com/csr](http://elitescreens.com/csr) to create your own

The listed measurements are for general reference only. Please contact Elite Screens to verify product design and dimensions before attempting to integrate its products with any structural or furniture modification. Although a manufacturer may offer product advice, it may be taken or disregarded at the integrator's discretion. Elite Screens will not be held responsible or be otherwise liable for faulty installations.



# Elite PrimeVision Series

- Custom Install Fixed Frame Projection Screen
- Premium Grade Home Theater Screen



## FEATURES & BENEFITS

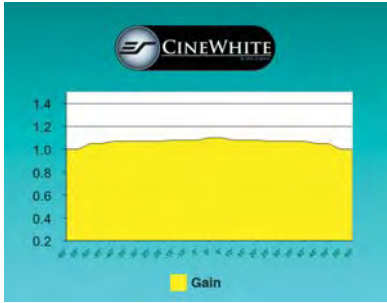
- Perfect Tension Uniformity
- Standard black backed screen material eliminates light penetration
- Anodized black aluminum 3.5" thick frame with black velour surfacing
- 16:9 HDTV aspect ratio surface
- Select Screen surface from
  - » CineWhite (1.1 GAIN)
  - » CineGrey (1.0 GAIN)
  - » PowerGain (1.8 GAIN)
  - » AcousticPro1080 (1.0 GAIN)
- Easy to assemble and install in minutes
- Sliding wall mounts to ensure the installation is properly centered
- 160° wide viewing angle
- Sizes available from 84" to 200"
- Split frame design for added protection during shipment & storage
- Lifetime parts and labor manufacturer's warranty



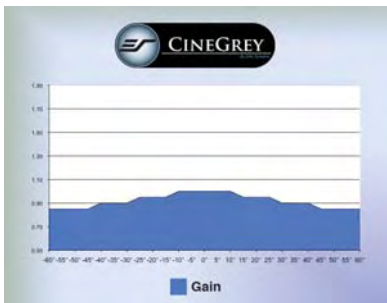
The Elite PrimeVision Series stocks all sizes of fixed frame screens with 3.5" . velour surfaced frames from 84" to 200" size options. (up to 400" available by special request)

The seamless material comes in 16:9 and 2.35" formats. Choose from CineWhite™, CineGrey™, PowerGain™ and AcousticPro1080™ material options.

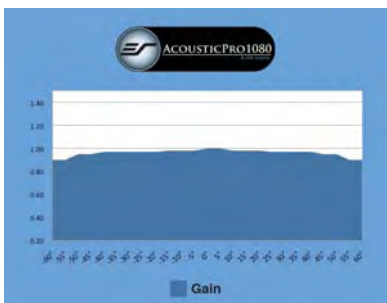




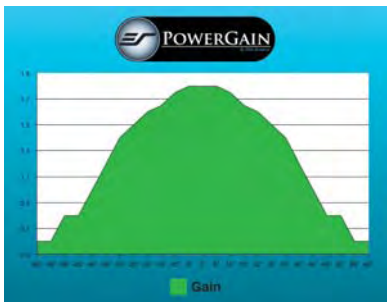
**CineWhite** Tension Screen Material has a wide viewing Angle in 1.1 Gain, suitable for most applications including commercial and home theater presentations.



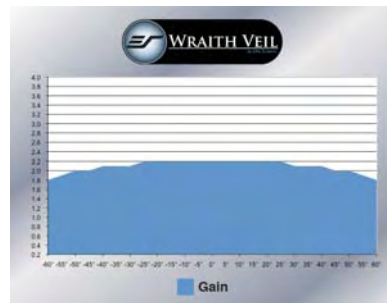
**CineGrey** Tension Screen Material is best for those using low contrast ratio (LCD) projectors in a home theater environment and need to improve picture black levels.



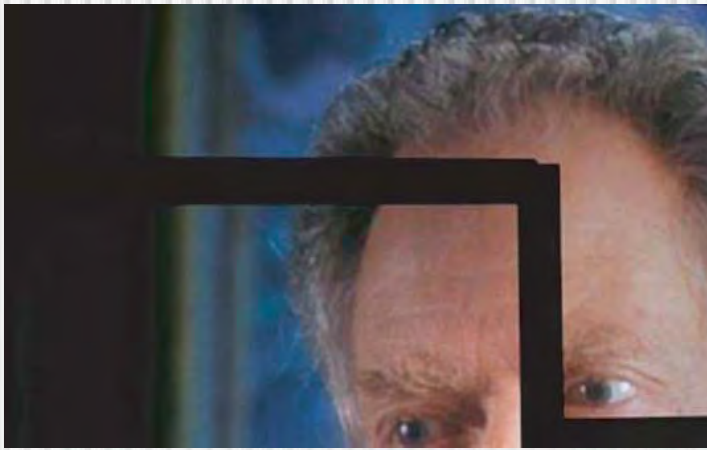
**AcousticPro1080™** material is designed for use with a native 1080P front projector. It has a special fabric weave for acoustic transparency that greatly reduces light penetration. It is a 1.0 Gain matte white mesh material with outstanding sound quality, damping at 20 KHz only 2.0dB and Max. Attenuation at 20cm is around 1.1db. The side-weave mesh pattern has only a 8% light loss, and coated fabric provides true color rendition to ensure both audio and video quality with each presentation. The Elite AcousticPro1080 Woven Acoustically Transparent Screen is your best choice for use with high quality in-wall audio installations and 1080P projectors and has a detachable black-backing on its fixed frame models.



**PowerGain** is a 1.8 Gain pearlescent material that enhances the color reproduction with low output/high resolution projectors in a home theater environment.



**Wraith Veil** Elite's rear projection screen material comes in 2.2 high gain to be used in ambient light environments, such as tradeshow, meeting rooms, and outside evening presentations. Its special surface coating enhances color reproduction and black level reproduction with wide diffusion for multiple applications. Optional seamless screen sizes are available up to 200" in 4:3 and 16:9 aspect ratios.



“I found that it had a decent reflectivity to it, but didn't suffer too much from hot spotting (which obviously you would expect from a lower gain screen), nor did it have any sparkles or other anomalies to it. Elite certainly has a good idea here. Good performance, good build quality, and good features in a screen, for a lower price point.”

AV Science, NY

By comparison, the Firehawk® screen tends to reject ambient light from the side, a little better than the ezFrame by Elite. (All's fair - an equivalent

Firehawk fixed wall projector screen is much over double the price. Color was virtually identical, but yellows did appear just a touch stronger than on the Firehawk®. This was very close and not an issue. Overall color was very good. With a 100" 16:9 Elite ezFrame screen selling for about half of a Da-Lite Cinema Contour with ProTrim (their fancy velourish border), and barely a 1/3 of a Stewart Luxus Deluxe, it allows home theater people to own an attractive looking fixed wall screen, with good performance, at a price that simply isn't available from the larger established brands.

Art Feierman / Projectorreviews.com

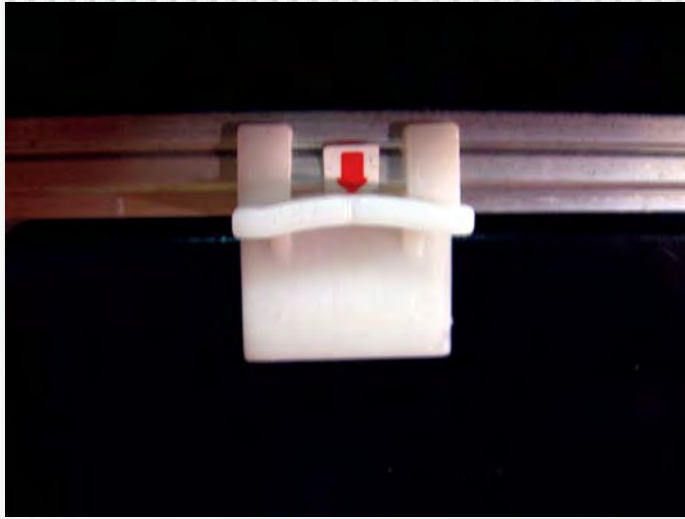


Standard Ultra-Wide 3.5" Black Velvet Trim Frame absorbs light overshoot. It enhances the perceived brightness of an image on a screen for a sharper picture with brighter color reproduction.

Easy Snap-On Frame Tension System, makes it quick and easy to get perfect tension uniformity the first time.

Features include standard black backing to eliminate light penetration for superior color reproduction.





**Easy Snap-On** Frame Tension System, makes it quick and easy to get perfect tension uniformity the first time. Features include standard **black backing** to eliminate light penetration for superior color reproduction.

**Elite PrimeVision Series: Custom Install Fixed Frame Front Projector Screen for Premium Home Cinema Projector**

Model	Nominal Diagonal	View Height (in)	View Width (in)	View Height (cm)	View Width (cm)	UPS or FedEx	Net Weight (lbs)	Gross Weight (lbs)	Net Weight (kgs)	Gross Weight (kgs)	Packaging Dimension (LxHxW)	Gain	Screen Material	Black Velvet Frame Width
PVR84GH1	84" (16:9)	41.1	73.0	104.4	185.4	Yes	19.0	26.0	8.6	11.8	83"x7"x8"	1.8	PowerGain	3.5"/8.9cm
PVR84H1	84" (16:9)	41.1	73.0	104.4	185.4	Yes	19.0	26.0	8.6	11.8	83"x7"x8"	1.0	CineGrey	3.5"/8.9cm
PVR84WH1	84" (16:9)	41.1	73.0	104.4	185.4	Yes	19.0	26.0	8.6	11.8	83"x7"x8"	1.1	CineWhite	3.5"/8.9cm
PVR92GH1	92" (16:9)	45.0	80.0	114.3	203.2	Yes	23.0	30.0	10.4	13.6	90"x7"x8"	1.8	PowerGain	3.5"/8.9cm
PVR92H1	92" (16:9)	45.0	80.0	114.3	203.2	Yes	23.0	30.0	10.4	13.6	90"x7"x8"	1.0	CineGrey	3.5"/8.9cm
PVR92WH1	92" (16:9)	45.0	80.0	114.3	203.2	Yes	23.0	30.0	10.4	13.6	86.5"x4"x9"	1.1	CineWhite	3.5"/8.9cm
PVR100H1	100" (16:9)	49.0	87.0	124.5	221.0	Yes	26.0	36.0	11.8	16.3	94"x4"x9"	1.0	CineGrey	3.5"/8.9cm
PVR100WH1	100" (16:9)	49.0	87.0	124.5	221.0	Yes	26.0	36.0	11.8	16.3	94"x4"x9"	1.1	CineWhite	3.5"/8.9cm
PVR106GH1	106" (16:9)	51.8	92.0	131.6	233.7	Yes	28.0	38.0	12.7	17.2	99"x4"x9"	1.8	PowerGain	3.5"/8.9cm
PVR106H1	106" (16:9)	51.8	92.0	131.6	233.7	Yes	28.0	38.0	12.7	17.2	99"x4"x9"	1.0	CineGrey	3.5"/8.9cm
PVR106WH1	106" (16:9)	51.8	92.0	131.6	233.7	Yes	28.0	38.0	12.7	17.2	99"x4"x9"	1.1	CineWhite	3.5"/8.9cm
PVR110WH1	110" (16:9)	54.0	96.0	137.2	243.8	Yes	28.7	40.8	13.0	18.5	66"x5"x12"	1.1	CineWhite	3.5"/8.9cm
PVR120GH1	120" (16:9)	58.5	104.0	148.6	264.2	Yes	30.0	43.0	13.6	19.5	70"x5"x12"	1.8	PowerGain	3.5"/8.9cm
PVR120H1	120" (16:9)	58.5	104.0	148.6	264.2	Yes	30.0	43.0	13.6	19.5	70"x5"x12"	1.0	CineGrey	3.5"/8.9cm
PVR120WH1	120" (16:9)	58.5	104.0	148.6	264.2	Yes	30.0	43.0	13.6	19.5	70"x5"x12"	1.1	CineWhite	3.5"/8.9cm
PVR135GH1	135" (16:9)	66.2	117.7	168.1	299.0	Yes	32.0	47.0	14.5	21.3	77"x5"x12"	1.8	PowerGain	3.5"/8.9cm
PVR135H1	135" (16:9)	66.2	117.7	168.1	299.0	Yes	32.0	47.0	14.5	21.3	77"x5"x12"	1.0	CineGrey	3.5"/8.9cm
PVR135WH1	135" (16:9)	66.2	117.7	168.1	299.0	Yes	32.0	47.0	14.5	21.3	77"x5"x12"	1.1	CineWhite	3.5"/8.9cm
PVR150GH1	150" (16:9)	73.6	130.7	186.9	332.0	Yes	40.0	54.0	18.1	24.5	84"x5"x12"	1.8	PowerGain	3.5"/8.9cm
PVR150H1	150" (16:9)	73.6	130.7	186.9	332.0	Yes	40.0	54.0	18.1	24.5	84"x5"x12"	1.0	CineGrey	3.5"/8.9cm
PVR150WH1	150" (16:9)	73.6	130.7	186.9	332.0	Yes	40.0	54.0	18.1	24.5	84"x5"x12"	1.1	CineWhite	3.5"/8.9cm
PVR165GH1	165" (16:9)	81.0	144.0	205.7	365.8	Yes	46.0	60.0	20.9	27.2	92"x5"x12"	1.8	PowerGain	3.5"/8.9cm
PVR165H1	165" (16:9)	81.0	144.0	205.7	365.8	Yes	46.0	60.0	20.9	27.2	92"x5"x12"	1.0	CineGrey	3.5"/8.9cm
PVR165WH1	165" (16:9)	81.0	144.0	205.7	365.8	Yes	46.0	60.0	20.9	27.2	92"x5"x12"	1.1	CineWhite	3.5"/8.9cm
PVR180WH1	180" (16:9)	88.3	156.9	224.3	398.5	No	60.0	75.0	27.2	34.0	166"x7"x8"	1.1	CineWhite	3.5"/8.9cm
PVR200WH1	200" (16:9)	98.0	174.0	248.9	442.0	No	70.0	86.0	31.8	39.0	184"x7"x8"	1.1	CineWhite	3.5"/8.9cm

**Elite PrimeVision Series: Custom Install Sound Transparent Fixed Frame Front Projector Screen for Premium Home Cinema Projector**

Model	Nominal Diagonal	View Height (in)	View Width (in)	View Height (cm)	View Width (cm)	UPS or FedEx	Net Weight (lbs)	Gross Weight (lbs)	Net Weight (kgs)	Gross Weight (kgs)	Packaging Dimension (LxHxW)	Gain	Screen Material	Black Velvet Frame Width
PVR100WH1-A1080	100" (16:9)	49.0	87.0	124.5	221.0	Yes	26.0	36.0	11.8	16.3	94"x4"x9"	1.0	AcousticPro1080	3.5"/8.9cm
PVR106WH1-A1080	106" (16:9)	51.8	92.0	131.6	233.7	Yes	28.0	38.0	12.7	17.2	99"x4"x9"	1.0	AcousticPro1080	3.5"/8.9cm
PVR120WH1-A1080	120" (16:9)	58.5	104.0	148.6	264.2	Yes	30.0	43.0	13.6	19.5	70"x5"x12"	1.0	AcousticPro1080	3.5"/8.9cm
PVR135WH1-A1080	135" (16:9)	66.2	117.7	168.1	299.0	Yes	32.0	47.0	14.5	21.3	77"x5"x12"	1.0	AcousticPro1080	3.5"/8.9cm
PVR150WH1-A1080	150" (16:9)	73.6	130.7	186.9	332.0	Yes	40.0	54.0	18.1	24.5	84"x5"x12"	1.0	AcousticPro1080	3.5"/8.9cm
PVR165WH1-A1080	165" (16:9)	81.0	144.0	205.7	365.8	Yes	46.0	60.0	20.9	27.2	92"x5"x12"	1.0	AcousticPro1080	3.5"/8.9cm
PVR180WH1-A1080	180" (16:9)	88.3	156.9	224.3	398.5	No	60.0	75.0	27.2	34.0	166"x7"x8"	1.0	AcousticPro1080	3.5"/8.9cm
PVR199WH1-A1080	200" (16:9)	98.0	174.0	248.9	442.0	No	70.0	86.0	31.8	39.0	184"x7"x8"	1.0	AcousticPro1080	3.5"/8.9cm

### Elite PrimeVision Dream Window Series Dimension Table

Model	Screen Diag. & Aspect Ratio	View Width (A)	Overall Width (A1)	View Height (B)	Overall Height (B1)	Frame Width (C)	Frame Height (D)
PVR84H	84" (16:9)	1860.0	2040.0	1045.0	1225.0	90.0	40.0
PVR92H	92" (16:9)	2040.0	2220.0	1145.0	1325.0	90.0	40.0
PVR100H	100" (16:9)	2214.0	2394.0	1245.0	1425.0	90.0	40.0
PVR106H	106" (16:9)	2350.0	2530.0	1320.0	1500.0	90.0	40.0
PVR110H	110" (16:9)	2438.0	2618.0	1371.0	1551.0	90.0	40.0
PVR120H	120" (16:9)	2660.0	2840.0	1495.0	1675.0	90.0	40.0
PVR135H	135" (16:9)	2990.0	3170.0	1680.0	1860.0	90.0	40.0
PVR150H	150" (16:9)	3320.0	3500.0	1868.0	2048.0	90.0	40.0
PVR165H	165" (16:9)	3652.0	3832.0	2055.0	2235.0	90.0	40.0
PVR180H	180" (16:9)	3986.0	4166.0	2240.0	2420.0	90.0	40.0
PVR200H	200" (16:9)	4430.0	4610.0	2490.0	2670.0	90.0	40.0

Unit: mm

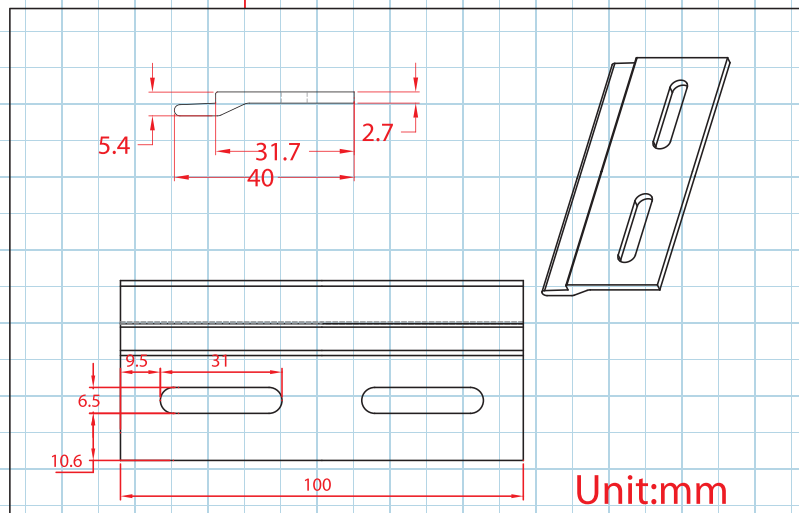
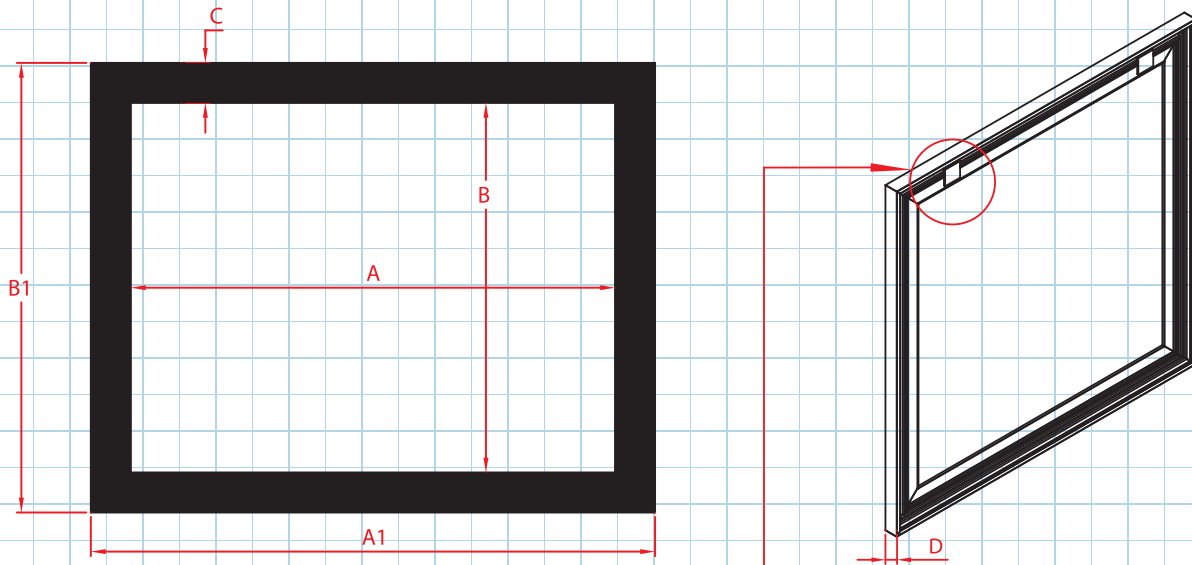
Can't find size and ratio you're looking for? Visit [elitescreens.com/csr](http://elitescreens.com/csr) to create your own

Model	Screen Diag. & Aspect Ratio	View Width (A)	Overall Width (A1)	View Height (B)	Overall Height (B1)	Frame Width (C)	Frame Height (D)
PVR84H	84" (16:9)	1860.0	2040.0	1045.0	1225.0	90.0	40.0
PVR92H	92" (16:9)	2040.0	2220.0	1145.0	1325.0	90.0	40.0
PVR100H	100" (16:9)	2214.0	2394.0	1245.0	1425.0	90.0	40.0
PVR106H	106" (16:9)	2350.0	2530.0	1320.0	1500.0	90.0	40.0
PVR110H	110" (16:9)	2438.0	2618.0	1371.0	1551.0	90.0	40.0
PVR120H	120" (16:9)	2660.0	2840.0	1495.0	1675.0	90.0	40.0
PVR135H	135" (16:9)	2990.0	3170.0	1680.0	1860.0	90.0	40.0
PVR150H	150" (16:9)	3320.0	3500.0	1868.0	2048.0	90.0	40.0
PVR165H	165" (16:9)	3652.0	3832.0	2055.0	2235.0	90.0	40.0
PVR180H	180" (16:9)	3986.0	4166.0	2240.0	2420.0	90.0	40.0
PVR200H	200" (16:9)	4430.0	4610.0	2490.0	2670.0	90.0	40.0

Unit: inch

Can't find size and ratio you're looking for? Visit [elitescreens.com/csr](http://elitescreens.com/csr) to create your own

The listed measurements are for general reference only. Please contact Elite Screens to verify product design and dimensions before attempting to integrate its products with any structural or furniture modification. Although a manufacturer may offer product advice, it may be taken or disregarded at the integrator's discretion. Elite Screens will not be held responsible or be otherwise liable for faulty installations.



Unit:mm

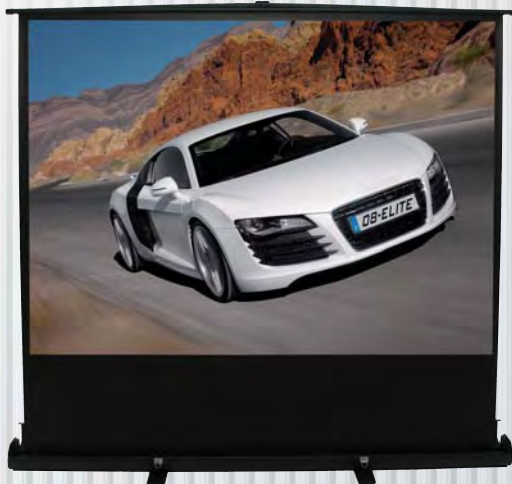


# ezCinema Series

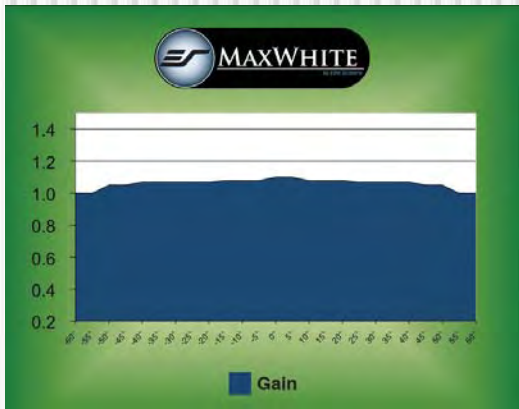
- Ultra Portable Projection Screen
- Portable Floor Pull Up Screen

## FEATURES & BENEFITS

- Easy to transport and set up for traveling presentations or the "Home Theater in A Box"
- Features a simple telescoping support mechanism to adjust screen height
- MaxWhite screen material is durable and easy to clean
- Wide projection viewing angle with 160° diffusion uniformity
- Built-in carrying handle for enhanced mobility
- Rugged aluminum casing protects the screen
- Includes 3/4" black top/side masking with adjustable bottom rise masking
- Available in different size and aspect ratios
- 2-Year manufacturer's premium replacement warranty
- Includes nylon carrying case with shoulder strap on models up to 100" diag.

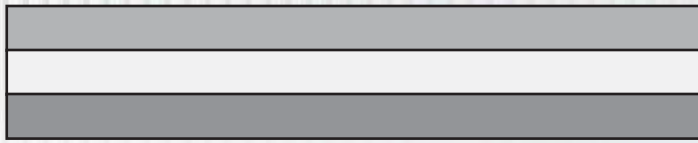


Elite's ezCinema Series is an Ultra-Portable screen that sets up quickly for residential or commercial presentations. Its Simple Telescoping Hardware Mechanism (STHM) provides an easy operation with variable height settings. Traveling Bag with shoulder strap is included for extra protection in transportation and screen storage.



**MaxWhite Screen Material**

The most versatile screen surface for front projection. This material provides unlimited viewing angles and perfect uniformity while giving precise color reproduction with black and white contrast. Screen Surface is durable for daily use, is mildew resistant and can be washed with mild soap and water.



MaxWhite Coating w/ Pattern Texture

Internal Textured Material

Black Soft Vinyl (Blocks Light Penetration)

**PVC/Woven Screen Material**, Multi-Layer, Cross-Array Layout, Coated with Matte White Optical Material that is Mildew Resistant.



**ezCinema Series**, Screens pull up from case and attach to an adjustable telescoping bar with variable height settings with a keystone adjustor. Solid rotating floor supports provide added stability.



Details of the telescope bracket hook support and variable height setting

Self-contained light weight Aluminum Casing with telescoping bar and travel case allows this screen to be easily transported, set up and taken down.







Begin your Presentation as easy as **1-2-3**

**ezCinema Series: Floor Stand Telescoping Pull Up Front Projector Screen**

Model	Nominal Diagonal	View Height (in)	View Width (in)	View Height (cm)	View Width (cm)	UPS or FedEx	Net Weight (lbs)	Gross Weight (lbs)	Net Weight (kgs)	Gross Weight (kgs)	Packaging Dimension (LxHxW)	Gain	Screen Material	Case Color
F60NWV	60" (4:3)	36.0	48.0	91.4	121.9	Yes	13.7	17.9	6.2	8.1	59"x6.5"x6.75"	1.1	MaxWhite	Black
F72NWV	72" (4:3)	43.2	57.6	109.7	146.3	Yes	15.1	20.2	6.9	9.1	68.9"x7"x6.5"	1.1	MaxWhite	Black
F84NWV	84" (4:3)	50.4	67.2	128.0	170.7	Yes	17.1	22.6	7.7	10.2	78.15"x7"x6.5"	1.1	MaxWhite	Black
F100NWV	100" (4:3)	60.0	80.0	152.4	203.2	Yes	19.7	26.3	8.9	11.9	91.3"x7"x6.5"	1.1	MaxWhite	Black
F120NWV	120" (4:3)	72.0	96.0	182.9	243.8	No	34.3	40.1	15.6	18.2	108"x7.6"x7.4"	1.1	MaxWhite	Black
F135NWV	135" (4:3)	81.0	108.0	205.7	274.3	No	40.0	52.0	17.6	20.3	119.8"x7.6"x8"	1.1	MaxWhite	Black
F150NWV	150" (4:3)	90.0	120.0	228.6	304.8	No	42.2	49.5	19.1	22.5	132"x7.6"x8"	1.1	MaxWhite	Black
F80NWH	80" (16:9)	39.4	70.0	100.1	177.8	Yes	16.9	22.7	7.7	10.3	80.91"x7"x6.5"	1.1	MaxWhite	Black
F84NWH	84" (16:9)	41.2	73.2	104.6	185.9	Yes	19.1	25.0	8.7	11.3	83.9"x7"x6.5"	1.1	MaxWhite	Black
F100NWH	100" (16:9)	49.0	87.2	124.5	221.5	Yes	20.1	26.6	9.1	12.1	98.07"x7"x6.5"	1.1	MaxWhite	Black
F120NWH	120" (16:9)	59.1	105.0	150.1	266.7	No	36.0	42.0	16.3	19.1	116.7"x7.6"x7.4"	1.1	MaxWhite	Black
F135NWH	135" (16:9)	66.2	117.7	168.1	299.0	No	40.5	48.5	18.4	21.7	130"x7.6"x8"	1.1	MaxWhite	Black
F150NWH	150" (16:9)	73.6	130.7	186.9	332.0	No	44.5	53.1	20.2	24.1	142.7"x7.6"x8"	1.1	MaxWhite	Black



Black Backed Screen Material blocks light penetration for a sharper image quality.

ezCinema Series Dimension Table

Model	Screen Diag. & Aspect Ratio	Case Length (A)	Screen Width (A1)	View Width (A2)	Upper Scroll Bar Length (A3)	Screen Height (B1)	View Height (B2)	Overall Height (B)	Case Height (D)	Case Width (C)
F60NWV	60" (4:3)	1410.0	1295.0	1219.0	1379.0	1854.2	914.4	1990.2	95.0	118.0
F72NWV	72" (4:3)	1661.0	1539.0	1463.0	1631.0	1808.5	1097.3	1944.5	95.0	118.0
F84NWV	84" (4:3)	1891.0	1783.0	1707.0	1861.0	1966.0	1280.2	2102.0	95.0	118.0
F100NWV	100" (4:3)	2224.0	2108.0	2032.0	2194.0	2032.0	1524.0	2168.0	95.0	118.0
F120NWV	120" (4:3)	2629.0	2514.0	2438.0	2599.0	2413.0	1828.8	2557.0	100.0	126.0
F135NWV	135" (4:3)	2925.0	2819.0	2743.0	2895.0	2641.6	2057.4	2785.6	100.0	126.0
F150NWV	150" (4:3)	3235.0	3124.0	3048.0	3205.0	2870.2	2286.0	3014.2	100.0	126.0
F80NWH	80" (16:9)	1958.0	1847.0	1771.0	1928.0	1884.7	995.7	2020.7	95.0	118.0
F84NWH	84" (16:9)	2041.0	1936.0	1860.0	2011.0	1935.5	1046.5	2071.5	95.0	118.0
F100NWH	100" (16:9)	2401.0	2290.0	2214.0	2371.0	1955.8	1244.6	2091.8	95.0	118.0
F120NWH	120" (16:9)	2845.0	2733.0	2657.0	2815.0	2077.7	1493.5	2221.7	100.0	126.0
F135NWH	135" (16:9)	3177.0	3065.0	2989.0	3147.0	2265.7	1681.5	2409.7	100.0	126.0
F150NWH	150" (16:9)	3510.0	3397.0	3321.0	3480.0	2451.1	1866.9	2595.1	100.0	126.0

Unit: mm

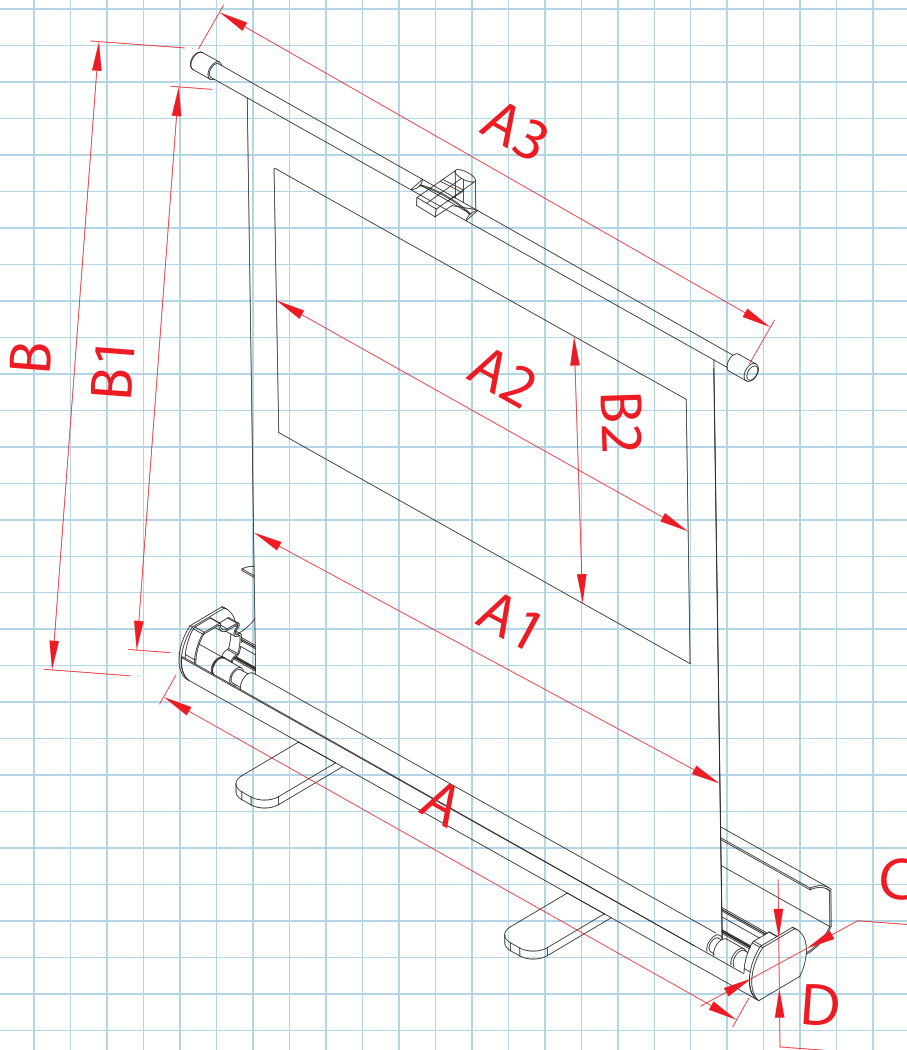
Can't find size and ratio you're looking for? Visit [elitescreens.com/csr](http://elitescreens.com/csr) to create your own

Model	Screen Diag. & Aspect Ratio	Case Length (A)	Screen Width (A1)	View Width (A2)	Upper Scroll Bar Length (A3)	Screen Height (B1)	View Height (B2)	Overall Height (B)	Case Height (D)	Case Width (C)
F60NWV	60" (4:3)	55.5	51.0	48.0	54.3	73.0	36.0	78.4	3.7	4.6
F72NWV	72" (4:3)	65.4	60.6	57.6	64.2	71.2	43.2	76.6	3.7	4.6
F84NWV	84" (4:3)	74.4	70.2	67.2	73.3	77.4	50.4	82.8	3.7	4.6
F100NWV	100" (4:3)	87.6	83.0	80.0	86.4	80.0	60.0	85.4	3.7	4.6
F120NWV	120" (4:3)	103.5	99.0	96.0	102.3	95.0	72.0	100.7	3.9	5.0
F135NWV	135" (4:3)	115.2	111.0	108.0	114.0	104.0	81.0	109.7	3.9	5.0
F150NWV	150" (4:3)	127.4	123.0	120.0	126.2	113.0	90.0	118.7	3.9	5.0
F80NWH	80" (16:9)	77.1	72.7	69.7	75.9	74.2	39.2	79.6	3.7	4.6
F84NWH	84" (16:9)	80.4	76.2	73.2	79.2	76.2	41.2	81.6	3.7	4.6
F100NWH	100" (16:9)	94.5	90.2	87.2	93.3	77.0	49.0	82.4	3.7	4.6
F120NWH	120" (16:9)	112.0	107.6	104.6	110.8	81.8	58.8	87.5	3.9	5.0
F135NWH	135" (16:9)	125.1	120.7	117.7	123.9	89.2	66.2	94.9	3.9	5.0
F150NWH	150" (16:9)	138.2	133.7	130.7	137.0	96.5	73.5	102.2	3.9	5.0

Unit: inch

Can't find size and ratio you're looking for? Visit [elitescreens.com/csr](http://elitescreens.com/csr) to create your own

The listed measurements are for general reference only. Please contact Elite Screens to verify product design and dimensions before attempting to integrate its products with any structural or furniture modification. Although a manufacturer may offer product advice, it may be taken or disregarded at the integrator's discretion. Elite Screens will not be held responsible or be otherwise liable for faulty installations.



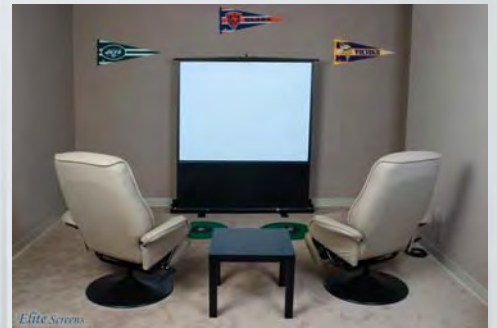


# ezCinema Plus Series

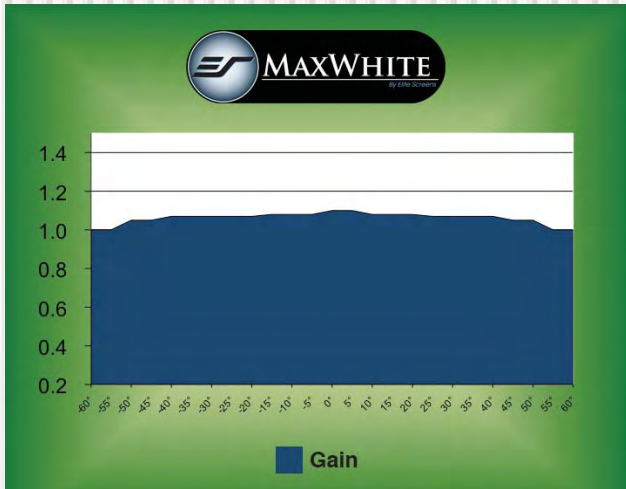
- Deluxe Grade Floor Screen
- Portable Floor Up Projection Screen

## FEATURES & BENEFITS

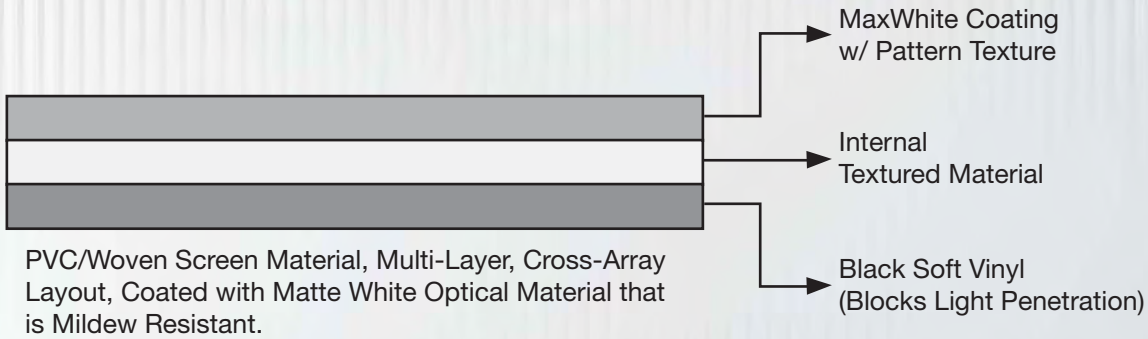
- Easy to transport and set up for traveling presentations or the "Home Theater in A Box"
- Self-standing "Pull Up & Project" cross spring mechanism
- MaxWhite screen material is durable and easy to clean
- Wide projection viewing angle
- Built-in carrying handle for enhanced mobility
- Rugged aluminum casing protects the screen
- Includes 3/4" black top/side masking with adjustable bottom rise masking
- Available in different sizes and aspect ratios
- Includes nylon carrying case with shoulder strap
- 2-Year manufacturer's premium replacement warranty



Elite's ezCinema Plus is the deluxe version of our popular ezCinema floor pull up screen. Instead of a support rod, it utilizes its unique "Scissor" Cross Spring Mechanical Hardware (CSMH) design that allows the operator to simply pull up the screen to its desired position and leave it there. Standard Traveling Shoulder bag for additional protection is included.



MaxWhite and SilverGrey material are the most versatile and uniform screen surface types in front projection. These materials provide unlimited viewing angles and perfect uniformity while giving precise definition and color reproduction. The grey material provides additional black level contrast with a minimal effect on image brightness. Screen Surfaces are durable for daily use and washable with mild soap and water.



Available in full 1:1 format for OHP (Over Head Projector) or Standard 4:3 NTSC commercial or Home Cinema movies in 16:9 HDTV.





**ezCinema Plus Series: Floor Stand Telescoping Pull Up Front Projector Screen**

Model	Nominal Diagonal	View Height (in)	View Width (in)	View Height (cm)	View Width (cm)	UPS or FedEx	Net Weight (lbs)	Gross Weight (lbs)	Net Weight (kgs)	Gross Weight (kgs)	Packaging Dimension (LxHxW)	Gain	Screen Material	Case Color
F95XWS1	95" (1:1)	67.0	67.0	170.2	170.2	Yes	20.0	28.4	9.1	12.9	80.2"x7.1"x6.3"	1.1	MaxWhite	Black
F60XWV1	60" (4:3)	36.0	48.0	91.4	121.9	Yes	15.0	22.0	6.8	10.0	66"x6"x7"	1.1	MaxWhite	Black
F84XWV1	84" (4:3)	50.4	67.2	128.0	170.7	Yes	21.1	26.5	9.6	12.0	78.39"x7"x6.5"	1.1	MaxWhite	Black
F100XWV1	100" (4:3)	60.0	80.0	152.4	203.2	Yes	25.0	32.6	11.3	14.8	92.2"x7.1"x6.3"	1.1	MaxWhite	Black
F74XCH1	74" (16:9)	36.0	64.0	91.4	162.6	Yes	14.0	20.0	6.4	9.1	75"x6"x7"	1.0	SilverGrey	Black
F74XWH1	74" (16:9)	36.0	64.0	91.4	162.6	Yes	14.0	20.0	6.4	9.1	75"x6"x7"	1.1	MaxWhite	Black
F84XWH1	84" (16:9)	41.2	73.2	104.6	185.9	Yes	22.3	28.4	10.1	12.9	84"x6.5"x7"	1.1	MaxWhite	Black
F100XWH1	100" (16:9)	49.0	87.2	124.5	221.5	Yes	24.3	27.3	9.7	12.4	98"x7"x7"	1.1	MaxWhite	Black

**ezCinema Plus Series Dimension Table**

Model	Screen Diag. & Aspect Ratio	Case Length (A)	Screen Width (A1)	View Width (A2)	Upper Scroll Bar Length (A3)	Screen Height (B1)	View Height (B2)	Overall Height (B)	Case Height (D)	Case Width (C)
F60XWV1	60" (4:3)	1410.0	1269.0	1219.0	1380.0	1892.3	914.4	2028.3	95.0	118.0
F84XWV1	84" (4:3)	1891.0	1757.0	1707.0	1861.0	1966.0	1280.2	2102.0	95.0	118.0
F100XWV1	100" (4:3)	2224.0	2082.0	2032.0	2194.0	2311.4	1524.0	2447.4	95.0	118.0
F74XWH1	74" (16:9)	1829.0	1688.0	1638.0	1799.0	1833.9	919.5	1969.9	95.0	118.0
F84XWH1	74" (16:9)	2041.0	1910.0	1860.0	2011.0	1935.5	995.7	2071.5	95.0	118.0
F100XWH1	84" (16:9)	2399.0	2264.0	2214.0	2369.0	1955.8	1244.6	2091.8	95.0	118.0
F95XWS1	95" (1:1)	1891.0	1756.0	1706.0	1861.0	2367.3	1706.9	2503.3	95.0	118.0

Unit: mm

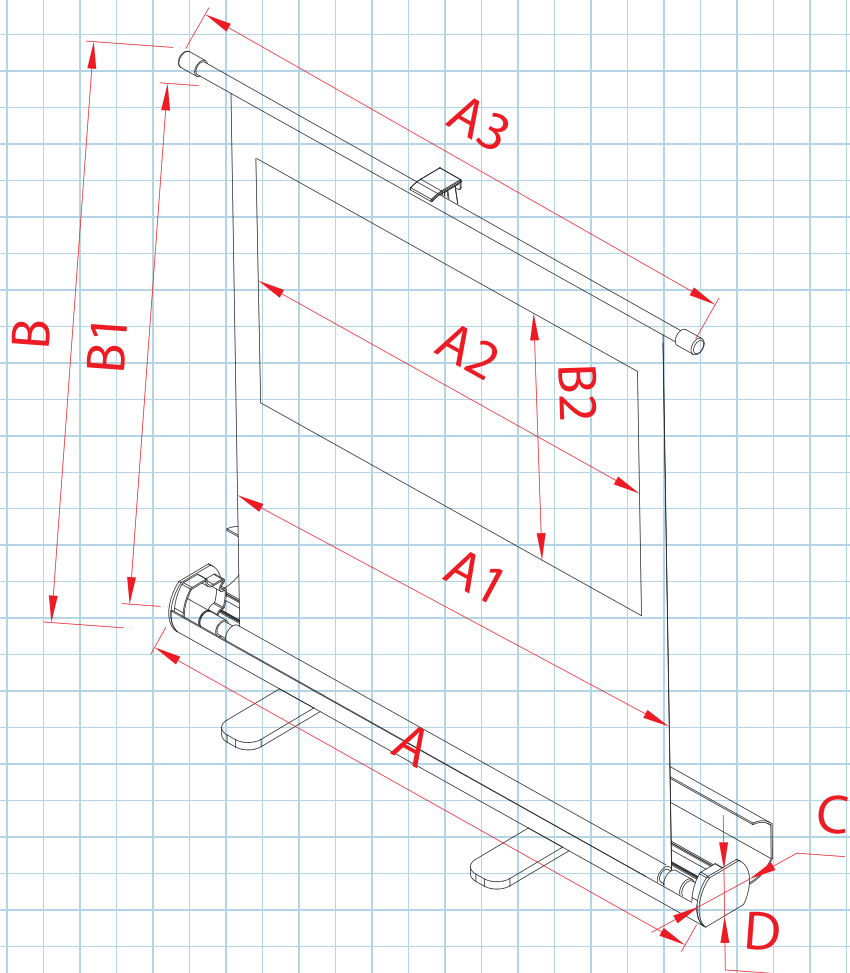
Can't find size and ratio you're looking for? Visit [elitescreens.com/csr](http://elitescreens.com/csr) to create your own

Model	Screen Diag. & Aspect Ratio	Case Length (A)	Screen Width (A1)	View Width (A2)	Upper Scroll Bar Length (A3)	Screen Height (B1)	View Height (B2)	Overall Height (B)	Case Height (D)	Case Width (C)
F60XWV1	60" (4:3)	55.5	50.0	48.0	54.3	74.5	36.0	79.9	3.7	4.6
F84XWV1	84" (4:3)	74.4	69.2	67.2	73.3	77.4	50.4	82.8	3.7	4.6
F100XWV1	100" (4:3)	87.6	82.0	80.0	86.4	91.0	60.0	96.4	3.7	4.6
F74XWH1	74" (16:9)	72.0	66.5	64.5	70.8	72.2	36.2	77.6	3.7	4.6
F84XWH1	74" (16:9)	80.4	75.2	73.2	79.2	76.2	39.2	81.6	3.7	4.6
F100XWH1	84" (16:9)	94.4	89.1	87.2	93.3	77.0	49.0	82.4	3.7	4.6
F95XWS1	95" (1:1)	74.4	69.1	67.2	73.3	93.2	67.2	98.6	3.7	4.6

Unit: inch

Can't find size and ratio you're looking for? Visit [elitescreens.com/csr](http://elitescreens.com/csr) to create your own

The listed measurements are for general reference only. Please contact Elite Screens to verify product design and dimensions before attempting to integrate its products with any structural or furniture modification. Although a manufacturer may offer product advice, it may be taken or disregarded at the integrator's discretion. Elite Screens will not be held responsible or be otherwise liable for faulty installations.



# QuickStand Series

- Portable Presentation Screen for ProAV
- QuickStand Portable Presentation Screen

## FEATURES & BENEFITS

- Strong, lightweight and portable folding aluminum fixed-frame screen for multi-media conference/classroom presentations
- Standard Matte White (Gain 1.1) screen material
- Optional rear projection screen material (Gain 2.2)
- Sealed edge detachable frame design with material snap button attachments and corner pull cords to extend product life with prolonged use
- Easy setup and teardown design with no tools required
- Adjustable frame height can be raised or lowered at 8" increments for various presentations
- Lightweight and durable aluminum traveling case is wheeled for easy transport, storage and shipping for tradeshow and traveling presentations
- 150" plus-sized models come with AT legs for additional support
- Available in 72" to 200" diagonal sizes in 4:3 or 16:9 aspect ratio
- Drapes kit models also available
- Two year Manufacturer's parts & labor warranty



Standard AT Legs come with 150" and larger models.





Locking mechanism on the metal storage case ensures safety during the storage and shipping



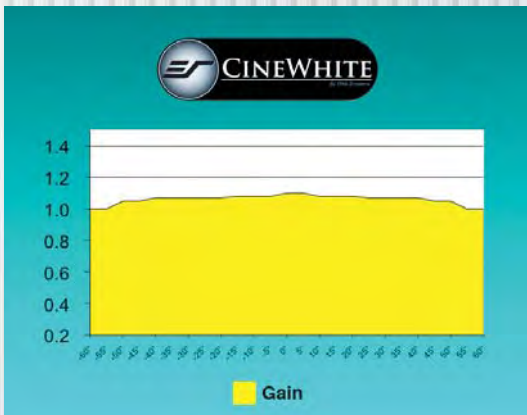
Light weight and durable aluminum traveling case is wheeled for easy transport, storage and shipping



Aluminum frame connections ensure structural integrity with constant use.



Strong Corner-Guard provides additional protection during transport and storage

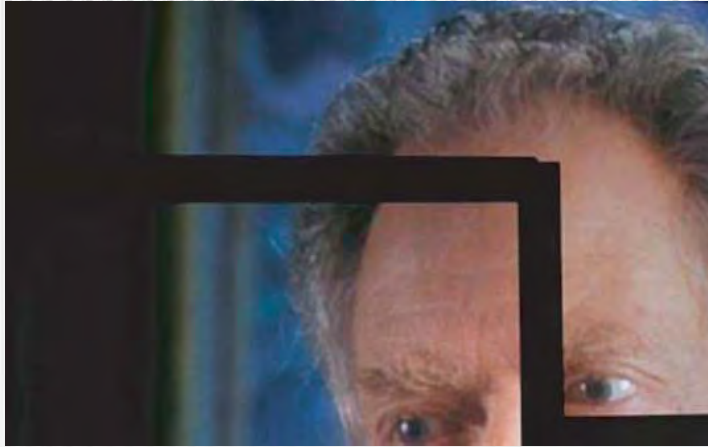


Choose either CineWhite Front Projection or Wraith Veil Rear Projection Material

**See what the Experts said about CineWhite & CineGrey Material**

"I found that it had a decent reflectivity to it, but didn't suffer too much from hot spotting (which obviously you would expect from a lower gain screen), nor did it have any sparkles or other anomalies to it. Elite certainly has a good idea here. Good performance, good build quality, and good features in a screen, for a lower price point.

AV Science, NY



By comparison, the Firehawk® screen tends to reject ambient light from the side, a little better than the ezFrame by Elite. (All's fair - an equivalent Firehawk fixed wall projector screen is much over double the price. Color was virtually identical, but yellows did appear just a touch stronger than on the Firehawk®. This was very close and not an issue. Overall color was very good. with a 100" 16:9 Elite ezFrame screen selling for about half of a Da-Lite Cinema Contour with ProTrim (their fancy flourish border), and barely a 1/3 of a Stewart Luxus Deluxe, it allows home theater people to own an attractive looking fixed wall screen, with good performance, at a price that simply isn't available from the larger established brands.

Art Feerman / Projectorreviews.com

**QuickStand Series: Folding Screen, includes Aluminum Traveling Wheel Case**

Model	Nominal Diagonal	View Height (in)	View Width (in)	View Height (cm)	View Width (cm)	UPS or FedEx	Net Weight (lbs)	Gross Weight (lbs)	Net Weight (kgs)	Gross Weight (kgs)	Packaging Dimension (LxHxW)	Gain	Screen Material	Drape Kit (Top/Sides/Bottom)
Q72V	72" (4:3)	43.5	58.0	109.9	147.3	Yes	23.2	57.5	10.5	26.1	42.3"x14.6"x13.5"	1.1	CineWhite	No
Q84V	84" (4:3)	50.3	67.0	127.0	170.2	Yes	59.0	69.3	26.8	31.4	53"x14.6"x13.5"	1.1	CineWhite	No
Q100V	100" (4:3)	60.0	80.0	152.4	203.2	Yes	62.3	74.8	28.3	33.9	53"x14.6"x13.5"	1.1	CineWhite	No
Q120V	120" (4:3)	72.0	96.0	182.9	243.8	Yes	66.1	75.0	30.0	34.0	53"x14.6"x13.5"	1.1	CineWhite	No
Q150V	150" (4:3)	90.0	120.0	228.6	304.8	Yes	89.3	101.4	40.5	46.0	62.5"x15.5"x15"	1.1	CineWhite	No
Q180V	180" (4:3)	108.0	144.0	274.3	365.8	Yes	99.2	112.4	45.0	51.0	72.4"x14.3"x14.3"	1.1	CineWhite	No
Q200V	200" (4:3)	120.0	160.0	304.8	406.4	Yes	137.8	149.9	62.5	68.0	51.2"x14.3"x18.3"	1.1	CineWhite	No
Q84VD	84" (4:3)	50.0	67.0	127.0	170.2	Yes	76.7	93.7	34.8	42.5	50.4"x17.9"x12.2"	1.1	CineWhite	Included
Q100VD	100" (4:3)	60.0	80.0	152.4	203.2	Yes	89.3	109.1	40.5	49.5	50.4"x17.9"x12.2"	1.1	CineWhite	Included
Q120VD	120" (4:3)	72.0	96.0	182.9	243.8	Yes	96.6	106.9	43.8	48.5	51.6"x18.7"x14.2"	1.1	CineWhite	Included
Q150VD	150" (4:3)	90.0	120.0	228.6	304.8	Yes	77.0	86.9	34.9	39.4	62.2"x18.7"x14.2"	1.1	CineWhite	Included
Q180VD	180" (4:3)	108.0	144.0	274.3	365.8	Yes	95.0	105.0	43.1	47.6	72.2"x20"x14.2"	1.1	CineWhite	Included
Q200VD	200" (4:3)	120.0	160.0	304.8	406.4	Yes	108.2	120.9	49.1	54.8	50.8"x18.5"x18"	1.1	CineWhite	Included
Q100HD	100" (16:9)	49.0	87.2	124.5	221.5	Yes	84.9	95.9	38.5	43.5	54.3"x18"x12.2"	1.1	CineWhite	Included
Q120HD	120" (16:9)	58.9	104.6	149.6	265.7	Yes	92.6	104.7	42.0	47.5	47"x18.7"x14.2"	1.1	CineWhite	Included
Q150HD	150" (16:9)	73.6	130.7	186.9	332.0	Yes	116.8	130.0	53.0	59.0	55.5"x18.7"x14.2"	1.1	CineWhite	Included
Q180HD	180" (16:9)	88.3	156.9	224.3	398.5	Yes	130.0	145.5	59.0	66.0	64"x18.7"x20"	1.1	CineWhite	Included
Q200HD	200" (16:9)	98.0	174.0	248.9	442.0	Yes	143.3	154.3	65.0	70.0	72"x18.7"x20"	1.1	CineWhite	Included



QuickStand Folding Screen 100" (Q100VD) shown with Standard Drape Kit



### QuickStand Series Dimension Table

Model	Screen Diag. & Aspect Ratio	View Width (A)	View Height (B)	Left/Right Black Masking (A1)	Top/Bottom Black Masking (B1)	Overall Frame Width (A2)	Overall Frame Height (B2)	Overall Height (B3)	Stand Width (C)	Storage Case Dimensions		
										Height (D)	Length (D1)	Width (D2)
Q72V	72" (4:3)	1463.0	1097.3	76.0	76.0	1616.0	1250.0	1687.0	1040.0	225.0	980.0	235.0
Q84V	84" (4:3)	1707.0	1280.2	76.0	76.0	1862.0	1435.0	2300.0	1040.0	225.0	1160.0	235.0
Q100V	100" (4:3)	2032.0	1524.0	76.0	76.0	2187.0	1680.0	2800.0	1040.0	225.0	1160.0	235.0
Q120V	120" (4:3)	2438.4	1828.8	76.0	76.0	2584.0	1984.0	3300.0	1040.0	245.0	1190.0	285.0
Q150V	150" (4:3)	3048.0	2286.0	76.0	76.0	3203.0	2440.0	3500.0	1040.0	280.0	1460.0	285.0
Q180V	180" (4:3)	3657.6	2743.2	76.0	76.0	3810.0	2900.0	4000.0	1040.0	280.0	1715.0	285.0
Q200V	200" (4:3)	4064.0	3048.0	76.0	76.0	4220.0	3203.0	4300.0	1040.0	280.0	1170.0	380.0
Q72H	72" (16:9)	1594.0	897.0	76.0	76.0	1746.0	1049.0	2250.0	1040.0	225.0	1130.0	235.0
Q84H	84" (16:9)	1860.0	1046.0	76.0	76.0	2012.0	1198.0	2400.0	1040.0	225.0	1130.0	235.0
Q100H	100" (16:9)	2214.0	1245.0	76.0	76.0	2366.0	1397.0	2500.0	1040.0	225.0	1260.0	235.0
Q120H	120" (16:9)	2657.0	1494.0	76.0	76.0	2809.0	1646.0	3000.0	1040.0	245.0	1060.0	245.0
Q150H	150" (16:9)	3321.0	1868.0	76.0	76.0	3473.0	2020.0	3500.0	1040.0	280.0	1290.0	280.0
Q180H	180" (16:9)	3985.0	2242.0	76.0	76.0	4137.0	2394.0	3800.0	1040.0	280.0	1500.0	280.0
Q200H	200" (16:9)	4428.0	2491.0	76.0	76.0	4580.0	2643.0	4000.0	1040.0	280.0	1660.0	380.0

Unit: inch

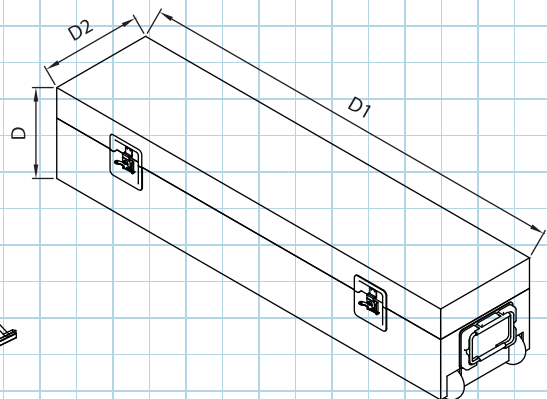
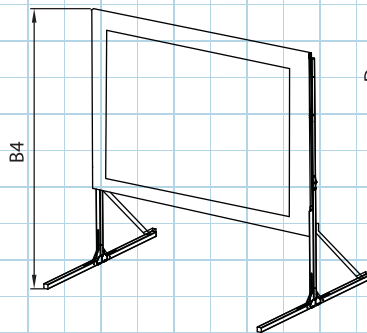
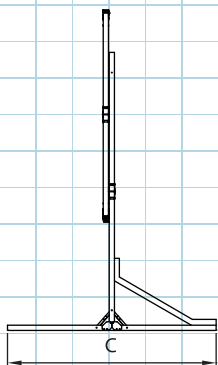
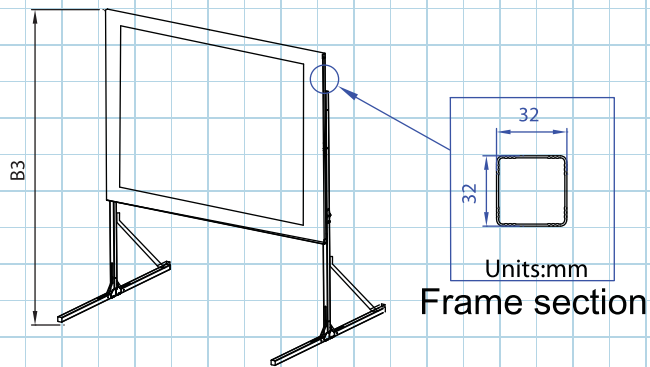
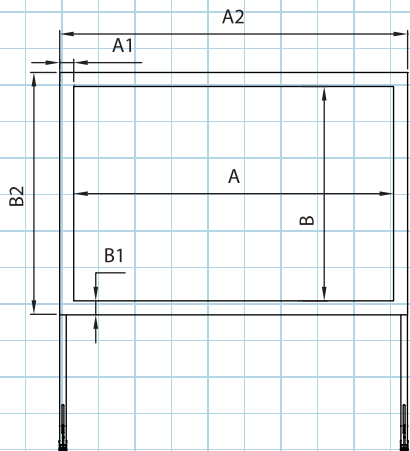
Can't find size and ratio you're looking for? Visit [elitescreens.com/csr](http://elitescreens.com/csr) to create your own

Model	Screen Diag. & Aspect Ratio	View Width (A)	View Height (B)	Left/Right Black Masking (A1)	Top/Bottom Black Masking (B1)	Overall Frame Width (A2)	Overall Frame Height (B2)	Overall Height (B3)	Stand Width (C)	Storage Case Dimensions		
										Height (D)	Length (D1)	Width (D2)
Q72V	72" (4:3)	57.6	43.2	3.0	3.0	63.6	49.2	66.4	40.9	8.9	38.6	9.3
Q84V	84" (4:3)	67.2	50.4	3.0	3.0	73.3	56.5	90.6	40.9	8.9	45.7	9.3
Q100V	100" (4:3)	80.0	60.0	3.0	3.0	86.1	66.1	110.2	40.9	8.9	45.7	9.3
Q120V	120" (4:3)	96.0	72.0	3.0	3.0	101.7	78.1	129.9	40.9	9.6	46.9	11.2
Q150V	150" (4:3)	120.0	90.0	3.0	3.0	126.1	96.1	137.8	40.9	11.0	57.5	11.2
Q180V	180" (4:3)	144.0	108.0	3.0	3.0	150.0	114.2	157.5	40.9	11.0	67.5	11.2
Q200V	200" (4:3)	160.0	120.0	3.0	3.0	166.1	126.1	169.3	40.9	11.0	46.1	15.0
Q72H	72" (16:9)	62.8	35.3	3.0	3.0	68.7	41.3	88.6	40.9	8.9	44.5	9.3
Q84H	84" (16:9)	73.2	41.2	3.0	3.0	79.2	47.2	94.5	40.9	8.9	44.5	9.3
Q100H	100" (16:9)	87.2	49.0	3.0	3.0	93.1	55.0	98.4	40.9	8.9	49.6	9.3
Q120H	120" (16:9)	104.6	58.8	3.0	3.0	110.6	64.8	118.1	40.9	9.6	41.7	9.6
Q150H	150" (16:9)	130.7	73.5	3.0	3.0	136.7	79.5	137.8	40.9	11.0	50.8	11.0
Q180H	180" (16:9)	156.9	88.3	3.0	3.0	162.9	94.3	149.6	40.9	11.0	59.1	11.0
Q200H	200" (16:9)	174.3	98.1	3.0	3.0	180.3	104.1	157.5	40.9	11.0	65.4	15.0

Unit: inch

Can't find size and ratio you're looking for? Visit [elitescreens.com/csr](http://elitescreens.com/csr) to create your own

The listed measurements are for general reference only. Please contact Elite Screens to verify product design and dimensions before attempting to integrate its products with any structural or furniture modification. Although a manufacturer may offer product advice, it may be taken or disregarded at the integrator's discretion. Elite Screens will not be held responsible or be otherwise liable for faulty installations.



### QuickStand Drape Series Dimension Table

Model	Screen Diag. & Aspect Ratio	View Width (A)	View Height (B)	Left/Right Black Masking (A1)	Top/Bottom Black Masking (B1)	Overall Width with Drape (A2)	A3	Max Height (B3)	Min. Height (B4)	Stand Width (C)	Storage Case Dimensions		
											Height (D)	Length (D1)	Width (D2)
Q84VD	84" (4:3)	1707.0	1280.2	76.0	76.0	1862.0	690.0	2680.0	1785.0	1040.0	1160.0	235.0	225.0
Q100VD	100" (4:3)	2032.0	1524.0	76.0	76.0	2187.0	690.0	3050.0	2250.0	1040.0	1160.0	235.0	225.0
Q120VD	120" (4:3)	2438.4	1828.8	76.0	76.0	2584.0	690.0	3800.0	2700.0	1040.0	1190.0	285.0	245.0
Q150VD	150" (4:3)	3048.0	2286.0	76.0	76.0	3203.0	690.0	4200.0	3265.0	1040.0	1460.0	285.0	280.0
Q180VD	180" (4:3)	3657.6	2743.2	76.0	76.0	3810.0	690.0	4450.0	3700.0	1040.0	1715.0	285.0	280.0
Q200VD	200" (4:3)	4064.0	3048.0	76.0	76.0	4220.0	690.0	4650.0	4060.0	1040.0	1170.0	380.0	280.0
Q100HD	100" (16:9)	2214.0	1245.0	76.0	76.0	2366.0	690.0	2500.0	1880.0	1040.0	1260.0	235.0	225.0
Q120HD	120" (16:9)	2657.0	1494.0	76.0	76.0	2809.0	690.0	3000.0	2820.0	1040.0	1060.0	245.0	245.0
Q150HD	150" (16:9)	3321.0	1868.0	76.0	76.0	3473.0	690.0	3500.0	3150.0	1040.0	1290.0	280.0	280.0
Q180HD	180" (16:9)	3985.0	2242.0	76.0	76.0	4137.0	690.0	3800.0	3150.0	1040.0	1500.0	280.0	280.0
Q200HD	200" (16:9)	4428.0	2491.0	76.0	76.0	4580.0	690.0	4000.0	3150.0	1040.0	1660.0	380.0	280.0

Unit: mm

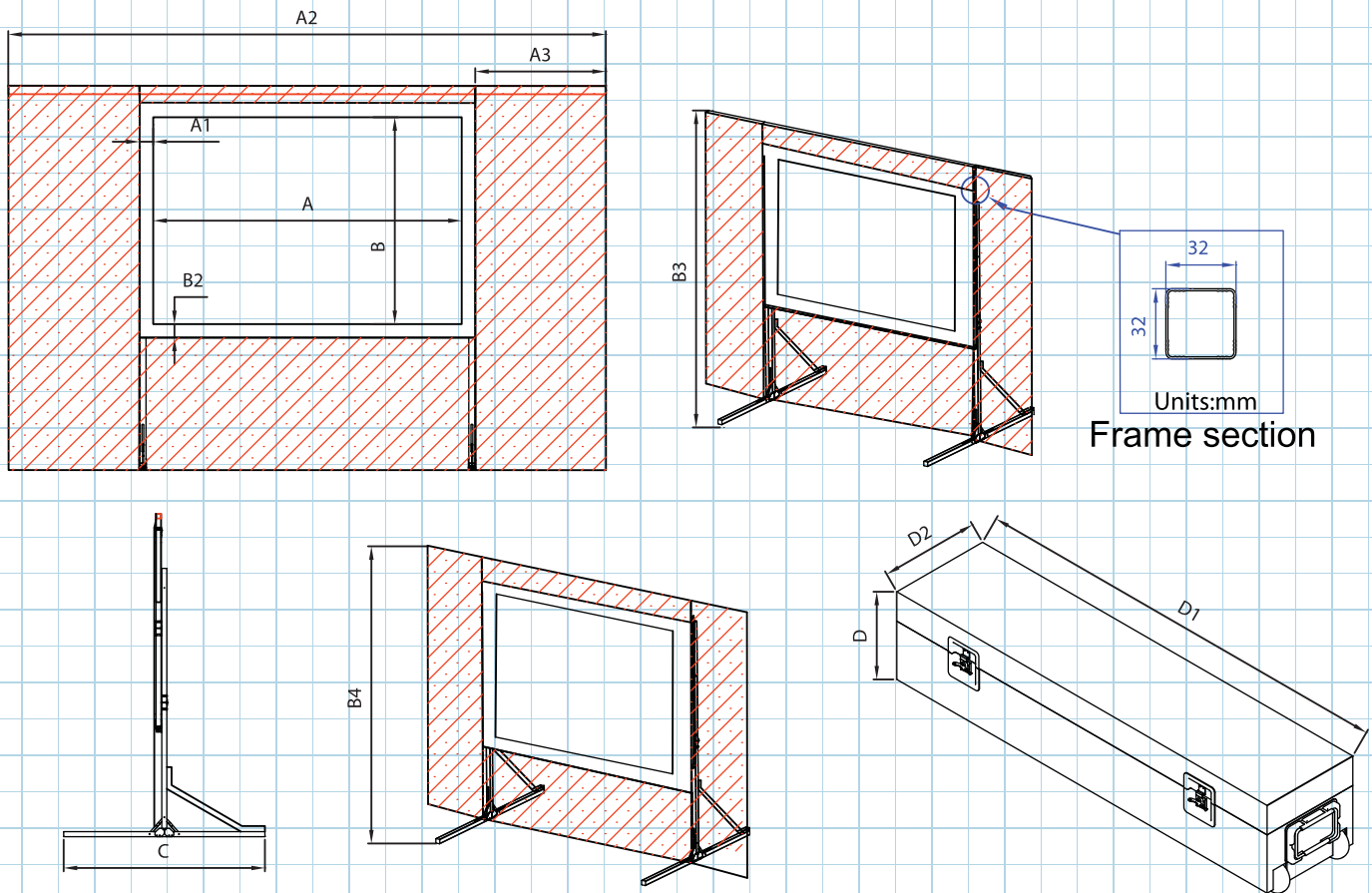
Can't find size and ratio you're looking for? Visit [elitescreens.com/csr](http://elitescreens.com/csr) to create your own

Model	Screen Diag. & Aspect Ratio	View Width (A)	View Height (B)	Left/Right Black Masking (A1)	Top/Bottom Black Masking (B2)	Overall Width with Drape (A2)	A3	Max Height (B3)	Min. Height (B4)	Stand Width (C)	Storage Case Dimensions		
											Height (D)	Length (D1)	Width (D2)
Q84VD	84" (4:3)	67.2	50.4	3.0	3.0	73.3	27.2	105.5	70.3	40.9	45.7	9.3	8.9
Q100VD	100" (4:3)	80.0	60.0	3.0	3.0	86.1	27.2	120.1	88.6	40.9	45.7	9.3	8.9
Q120VD	120" (4:3)	96.0	72.0	3.0	3.0	101.7	27.2	149.6	106.3	40.9	46.9	11.2	9.6
Q150VD	150" (4:3)	120.0	90.0	3.0	3.0	126.1	27.2	165.4	128.5	40.9	57.5	11.2	11.0
Q180VD	180" (4:3)	144.0	108.0	3.0	3.0	150.0	27.2	175.2	145.7	40.9	67.5	11.2	11.0
Q200VD	200" (4:3)	160.0	120.0	3.0	3.0	166.1	27.2	183.1	159.8	40.9	46.1	15.0	11.0
Q100HD	100" (16:9)	87.2	49.0	3.0	3.0	93.1	27.2	98.4	74.0	40.9	49.6	9.3	8.9
Q120HD	120" (16:9)	104.6	58.8	3.0	3.0	110.6	27.2	118.1	111.0	40.9	41.7	9.6	9.6
Q150HD	150" (16:9)	130.7	73.5	3.0	3.0	136.7	27.2	137.8	124.0	40.9	50.8	11.0	11.0
Q180HD	180" (16:9)	156.9	88.3	3.0	3.0	162.9	27.2	149.6	124.0	40.9	59.1	11.0	11.0
Q200HD	200" (16:9)	174.3	98.1	3.0	3.0	180.3	27.2	157.5	124.0	40.9	65.4	15.0	11.0

Unit: inch

Can't find size and ratio you're looking for? Visit [elitescreens.com/csr](http://elitescreens.com/csr) to create your own

The listed measurements are for general reference only. Please contact Elite Screens to verify product design and dimensions before attempting to integrate its products with any structural or furniture modification. Although a manufacturer may offer product advice, it may be taken or disregarded at the integrator's discretion. Elite Screens will not be held responsible or be otherwise liable for faulty installations.





# Tripod Series

• Tripod Portable Pull Up Projection Screen



Ideal for indoor and outdoor presentations, this proven and reliable tripod portable projection screen combines precision with the elegance of a traditional design. Its rugged construction will withstand the rigors of daily usage while its adjustable locking ring provides ease in its adjustable height settings.

## FEATURES & BENEFITS

- Standard keystone eliminator
- Heavy duty casing to withstand daily usage
- Auto-locking mechanism controls height adjustment
- Standard 4-side black masking border
- MaxWhite 1.1 Gain screen material is durable and easy to clean
- 160 degree wide viewing angle for multi-purpose applications
- Available in Black or White metal casings
- Optional fabric carrying case

### Tripod Series: Tripod/Portable Pull Up Projector Screen

Model	Nominal Diagonal	View Height (in)	View Width (in)	View Height (cm)	View Width (cm)	UPS or FedEx	Net Weight (lbs)	Gross Weight (lbs)	Net Weight (kgs)	Gross Weight (kgs)	Packaging Dimension (LxHxW)	Gain	Screen Material	Case Color
T71NWS1	71" (1:1)	50.0	50.0	127.0	127.0	Yes	12.4	15.5	5.6	7.1	60"x5.4"x7.2"	1.1	MaxWhite	White
T71UWS1	71" (1:1)	50.0	50.0	127.0	127.0	Yes	12.4	15.5	5.6	7.1	60"x5.4"x7.2"	1.1	MaxWhite	Black
T85NWS1	85" (1:1)	60.0	60.0	152.4	152.4	Yes	14.4	18.0	6.5	8.2	70"x5.4"x7.2"	1.1	MaxWhite	White
T85UWS1	85" (1:1)	60.0	60.0	152.4	152.4	Yes	14.4	18.0	6.5	8.2	70"x5.4"x7.2"	1.1	MaxWhite	Black
T99NWS1	99" (1:1)	70.0	70.0	177.8	177.8	Yes	16.3	20.4	7.4	9.3	80"x5.4"x7.2"	1.1	MaxWhite	White
T99UWS1	99" (1:1)	70.0	70.0	177.8	177.8	Yes	16.3	20.4	7.4	9.3	80"x5.4"x7.2"	1.1	MaxWhite	Black
T113NWS1	113" (1:1)	80.0	80.0	203.2	203.2	Yes	26.8	30.0	12.2	13.6	91.6"x7.5"x4.9"	1.1	MaxWhite	White
T113UWS1	113" (1:1)	80.0	80.0	203.2	203.2	Yes	26.8	30.0	12.2	13.6	91.6"x7.5"x4.9"	1.1	MaxWhite	Black
T119NWS1	119" (1:1)	84.0	84.0	213.4	213.4	Yes	35.2	38.0	16.0	17.2	96"x7.5"x4.9"	1.1	MaxWhite	White
T119UWS1	119" (1:1)	84.0	84.0	213.4	213.4	Yes	35.2	38.0	16.0	17.2	96"x7.5"x4.9"	1.1	MaxWhite	Black
T136NWS1	136" (1:1)	96.0	96.0	243.8	243.8	Yes	41.8	43.0	19.0	19.5	106.3"x7.5"x4.9"	1.1	MaxWhite	White
T136UWS1	136" (1:1)	96.0	96.0	243.8	243.8	Yes	41.8	43.0	19.0	19.5	106.3"x7.5"x4.9"	1.1	MaxWhite	Black
T84UWV1	84" (4:3)	50.0	67.0	127.0	170.2	Yes	20.0	25.0	9.1	11.3	79"x6.7"x3.9"	1.1	MaxWhite	Black
T100UWV1	100" (4:3)	60.0	80.0	152.4	203.2	Yes	26.0	30.0	11.8	13.6	93"x6.7"x3.9"	1.1	MaxWhite	Black
T120NWV1	120" (4:3)	72.0	96.0	182.9	243.8	Yes	29.0	40.0	13.2	18.1	108"x6.7"x3.9"	1.1	MaxWhite	White
T120UWV1	120" (4:3)	72.0	96.0	182.9	243.8	Yes	29.0	40.0	13.2	18.1	108"x6.7"x3.9"	1.1	MaxWhite	Black
T60UWH	60" (16:9)	29.0	50.0	73.7	127.0	Yes	PLEASE VISIT ELITESCREENS.COM					1.1	MaxWhite	Black
T72UWH	72" (16:9)	35.0	63.0	88.9	160.0	Yes	PLEASE VISIT ELITESCREENS.COM					1.1	MaxWhite	Black
T92UWH	92" (16:9)	45.0	80.0	114.3	203.2	Yes	26.0	30.0	11.8	13.6	93"x6.7"x3.9"	1.1	MaxWhite	Black
T100UWH	100" (16:9)	49.0	87.0	124.5	221.0	Yes	33.0	40.0	15.0	18.1	99"x6.7"x3.9"	1.1	MaxWhite	Black
T120UWH	120" (16:9)	59.1	105.0	150.1	266.7	No	37.0	46.0	16.8	20.9	117.4"x6.7"x3.9"	1.1	MaxWhite	Black

### Tripod Series Dimensions Table

Model	Screen Diag. & Aspect Ratio	View Size H x W	Screen Size H x W	Top of Screen at highest level (B1)	Top of Screen at lowest level (B2)	Screen Case at highest point height (C1)	Screen Case at lowest point height (C2)	End Cap Size (D)	Case Length Closed (D2)	Case Width Closed (D3)
T71NWS1	71" (1:1)	1275x1275	1346x1346	2400	1925	905	430	69	1472	150
T71UWS1	71" (1:1)	1275x1275	1346x1346	2400	1925	905	430	69	1472	150
T85NWS1	85" (1:1)	1527x1527	1600x1600	2700	2177	953	430	69	1726	150
T85UWS1	85" (1:1)	1527x1527	1600x1600	2700	2177	953	430	69	1726	150
T99NWS1	99" (1:1)	1778x1778	1854x1854	2900	2428	902	430	69	1980	150
T99UWS1	99" (1:1)	1778x1778	1854x1854	2900	2428	902	430	69	1980	150
T113NWS1	113" (1:1)	2030x2030	2108x2108	3100	2682	848	430	69	2234	150
T113UWS1	113" (1:1)	2030x2030	2108x2108	3100	2682	848	430	69	2234	150
T119NWS1	119" (1:1)	2134x2134	2209x2209	3300	2787	943	430	69	2335	150
T119UWS1	119" (1:1)	2134x2134	2209x2209	3300	2787	943	430	69	2335	150
T136NWS1	136" (1:1)	2443x2443	2514x2514	3700	3093	1037	430	69	2641	150
T136UWS1	136" (1:1)	2443x2443	2514x2514	3700	3093	1037	430	69	2641	150
T84UWV1	84" (4:3)	1280x1707	1397x1778	2400	1930	900	430	69	1906	150
T100UWV1	100" (4:3)	1524x2032	1651x2108	3100	2174	1356	430	69	2234	150
T120NWV	120" (4:3)	1829x2438	1955x2514	3700	2480	1650	430	69	2641	150
T120UWV1	120" (4:3)	1829x2438	1955x2514	3700	2480	1650	430	69	2641	150
T92UWH	92" (16:9)	1146x2037	1270x2108	3100	1796	1734	430	69	2234	150
T100UWH	100" (16:9)	1245x2214	1371x2286	3200	1895	1735	430	69	2417	150
T120UWH	120" (16:9)	1494x2657	1625x2743	3300	2144	1586	430	69	2860	150

Unit: mm

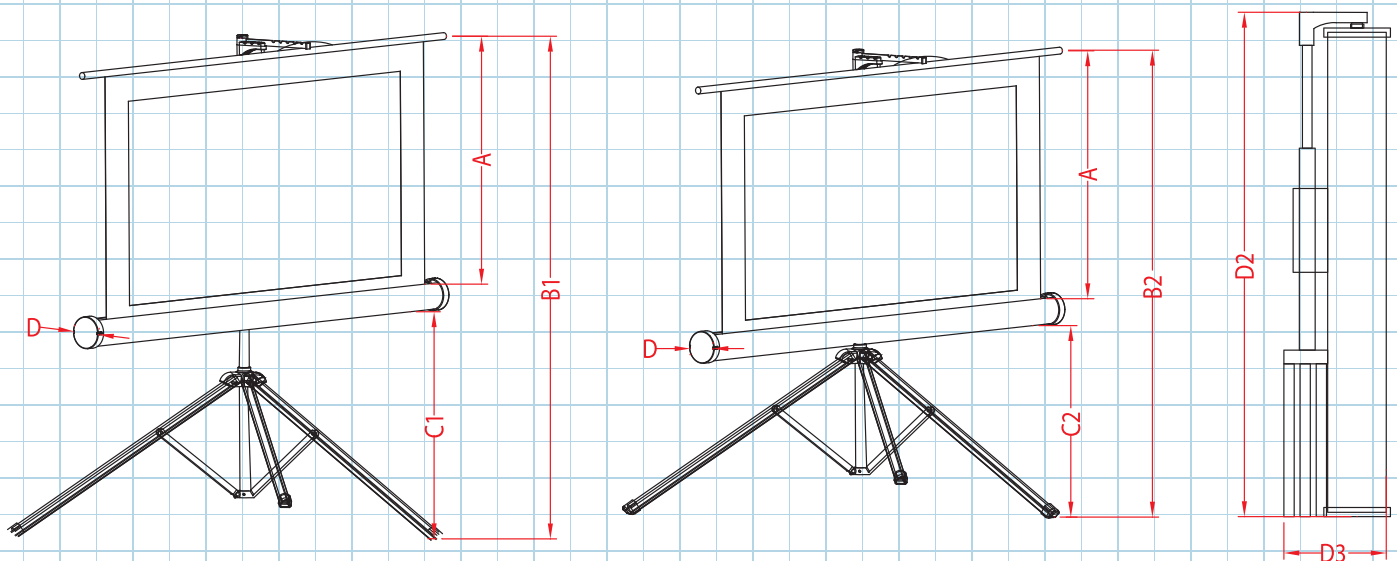
Can't find size and ratio you're looking for? Visit [elitescreens.com/csr](http://elitescreens.com/csr) to create your own

Model	Screen Diag. & Aspect Ratio	View Size H x W	Screen Size H x W	Top of Screen at highest level (B1)	Top of Screen at lowest level (B2)	Screen Case at highest point height (C1)	Screen Case at lowest point height (C2)	End Cap Size (D)	Case Length Closed (D2)	Case Width Closed (D3)
T71NWS1	71" (1:1)	50"x50"	53"x53"	94.5	75.8	35.6	16.9	2.7	58.0	5.9
T71UWS1	71" (1:1)	50"x50"	53"x53"	94.5	75.8	35.6	16.9	2.7	58.0	5.9
T85NWS1	85" (1:1)	60"x60"	63"x63"	106.3	85.7	37.5	16.9	2.7	68.0	5.9
T85UWS1	85" (1:1)	60"x60"	63"x63"	106.3	85.7	37.5	16.9	2.7	68.0	5.9
T99NWS1	99" (1:1)	70"x70"	73"x73"	114.2	95.6	35.5	16.9	2.7	78.0	5.9
T99UWS1	99" (1:1)	70"x70"	73"x73"	114.2	95.6	35.5	16.9	2.7	78.0	5.9
T113NWS1	113" (1:1)	80"x80"	83"x83"	122.0	105.6	33.4	16.9	2.7	88.0	5.9
T113UWS1	113" (1:1)	80"x80"	83"x83"	122.0	105.6	33.4	16.9	2.7	88.0	5.9
T119NWS1	119" (1:1)	84"x84"	87"x87"	129.9	109.7	37.1	16.9	2.7	91.9	5.9
T119UWS1	119" (1:1)	84"x84"	87"x87"	129.9	109.7	37.1	16.9	2.7	91.9	5.9
T136NWS1	136" (1:1)	96"x96"	99"x99"	145.7	121.8	40.8	16.9	2.7	104.0	5.9
T136UWS1	136" (1:1)	96"x96"	99"x99"	145.7	121.8	40.8	16.9	2.7	104.0	5.9
T84UWV1	84" (4:3)	50"x67"	55"x70"	94.5	76.0	35.4	16.9	2.7	75.0	5.9
T100UWV1	100" (4:3)	60"x80"	65"x83"	122.0	85.6	53.4	16.9	2.7	88.0	5.9
T120NWV	120" (4:3)	72"x96"	77"x99"	145.7	97.6	65.0	16.9	2.7	104.0	5.9
T120UWV1	120" (4:3)	72"x96"	77"x99"	145.7	97.6	65.0	16.9	2.7	104.0	5.9
T92UWH	92" (16:9)	45"x80"	50"x83"	122.0	70.7	68.3	16.9	2.7	88.0	5.9
T100UWH	100" (16:9)	49"x87"	54"x90"	126.0	74.6	68.3	16.9	2.7	95.2	5.9
T120UWH	120" (16:9)	59"x105"	64"x108"	129.9	84.4	62.4	16.9	2.7	112.6	5.9

Unit: inch

Can't find size and ratio you're looking for? Visit [elitescreens.com/csr](http://elitescreens.com/csr) to create your own

The listed measurements are for general reference only. Please contact Elite Screens to verify product design and dimensions before attempting to integrate its products with any structural or furniture modification. Although a manufacturer may offer product advice, it may be taken or disregarded at the integrator's discretion. Elite Screens will not be held responsible or be otherwise liable for faulty installations.





# Tripod Pro Series

- Portable ProAV/Commercial Front Projection Screen
- Professional Grade Tripod Pull Up Screen

## FEATURES & BENEFITS

- Ideal for ProAV / Rental & Staging applications
- Standard built-in keystone eliminator
- Heavy-duty case with velvet velour withstands daily usage
- Auto-locking mechanism controls height adjustment
- Built-in carrying handle for easy transportation
- Rugged construction withstands the rigors of daily usage
- Simple screen adjustment for various height settings
- Complimentary 4-side black masking borders
- MaxWhite 1.1 Gain screen material is durable for every day applications and easy to clean
- 160 degree wide viewing angle for multi-purpose applications
- Available in 1:1 format in diagonal sizes 85", 99", 113" and 119"
- Optional fabric carrying bag available



### Tripod Pro Series: Tripod/Portable (1:1) Pull Up Projector Screen Pro Series for Commercial and Rental Applications

Model	Nominal Diagonal	View Height (in)	View Width (in)	View Height (cm)	View Width (cm)	UPS or FedEx	Net Weight (lbs)	Gross Weight (lbs)	Net Weight (kgs)	Gross Weight (kgs)	Packaging Dimension (LxHxW)	Gain	Screen Material	Case Color
T85UWS1-Pro	85" (1:1)	60.0	60.0	152.4	152.4	Yes	14.4	18.0	6.5	8.2	70"x5.4"x7.2"	1.1	MaxWhite	Black
T99UWS1-Pro	99" (1:1)	70.0	70.0	177.8	177.8	Yes	16.3	20.4	7.4	9.3	80"x5.4"x7.2"	1.1	MaxWhite	Black
T113UWS1-Pro	113" (1:1)	80.0	80.0	203.2	203.2	Yes	26.8	30.0	12.2	13.6	91.6"x7.5"x4.9"	1.1	MaxWhite	Black
T119UWS1-Pro	119" (1:1)	84.0	84.0	213.4	213.4	Yes	35.2	38.0	16.0	17.2	96"x7.5"x4.9"	1.1	MaxWhite	Black

### Tripod Pro Series Dimension Table

Model	Screen Diag. & Aspect Ratio	View Size H x W	Screen Size H x W (A)	Top of Screen at highest level (B1)	Top of Screen at lowest level (B2)	Screen Case at highest point height (C1)	Screen Case at lowest point height (C2)	End Cap Size (D)	Case Length Closed (D2)	Case Width Closed (D3)
T85UWS1-Pro	85" (1:1)	1527x1527	1600x1600	2700	2177	953	430	69	1726	150
T99UWS1-Pro	99" (1:1)	1778x1778	1854x1854	2900	2428	902	430	69	1980	150
T113UWS1-Pro	113" (1:1)	2030x2030	2108x2108	3100	2682	848	430	69	2234	150
T119UWS1-Pro	119" (1:1)	2134x2134	2209x2209	3300	2787	943	430	69	2335	150

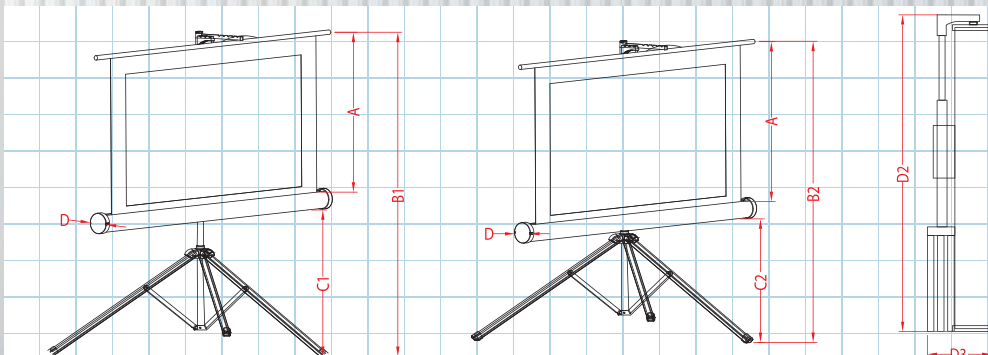
Unit: mm

Can't find size and ratio you're looking for? Visit [elitescreens.com/csr](http://elitescreens.com/csr) to create your own

Model	Screen Diag. & Aspect Ratio	View Size H x W	Screen Size H x W (A)	Top of Screen at highest level (B1)	Top of Screen at lowest level (B2)	Screen Case at highest point height (C1)	Screen Case at lowest point height (C2)	End Cap Size (D)	Case Length Closed (D2)	Case Width Closed (D3)
T85UWS1-Pro	85" (1:1)	60"x60"	63"x63"	106.3	85.7	37.5	16.9	2.7	68.0	5.9
T99UWS1-Pro	99" (1:1)	70"x70"	73"x73"	114.2	95.6	35.5	16.9	2.7	78.0	5.9
T113UWS1-Pro	113" (1:1)	80"x80"	83"x83"	122.0	105.6	33.4	16.9	2.7	88.0	5.9
T119UWS1-Pro	119" (1:1)	84"x84"	87"x87"	129.9	109.7	37.1	16.9	2.7	91.9	5.9

Unit: inch

Can't find size and ratio you're looking for? Visit [elitescreens.com/csr](http://elitescreens.com/csr) to create your own



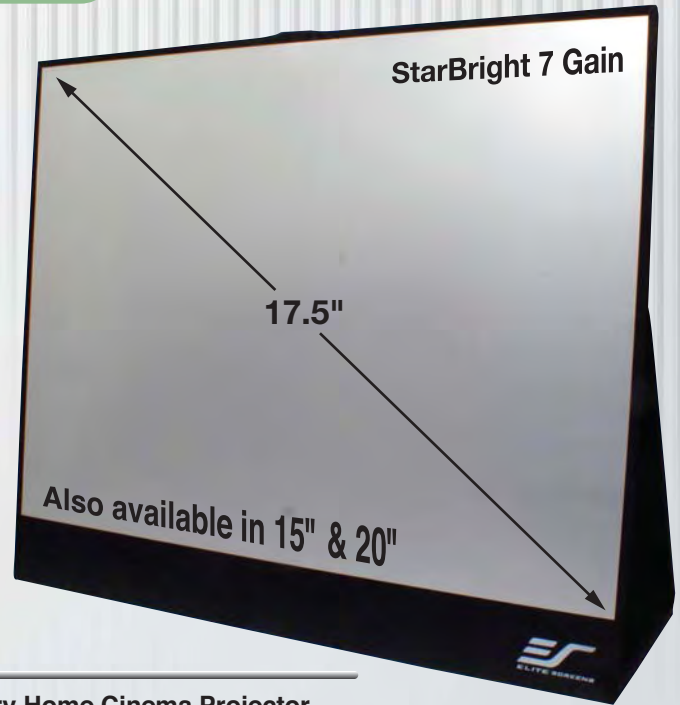
The listed measurements are for general reference only. Please contact Elite Screens to verify product design and dimensions before attempting to integrate its products with any structural or furniture modification. Although a manufacturer may offer product advice, it may be taken or disregarded at the integrator's discretion. Elite Screens will not be held responsible or be otherwise liable for faulty installations.

# MicroFlip Series

- Portable 7.0 High Gain Front Projection Screen
- LED Pocket Projector Companion Micro Screen

## FEATURES & BENEFITS

- MiniFlip design accompanies Low Lumens Pocket LED Projectors for laptop presentations
- Compact design fits into a briefcase or laptop case
- Magnetic clasps allow a simple open/set-up procedure
- Adjustable Tilt Angle settings accommodate projector placement
- Award Winning StarBright™ 7 - Ultra High Gain 7.0 Screen Material to enhances picture clarity, contrast and image visibility in an environment with high levels of ambient light
- Available in 3 popular Diagonal sizes: 15" / 17.5" / 20" in 4:3 Aspect Ratio



### MicroFlip Series: Fixed Frame Front Projection Screen for Entry Home Cinema Projector

Model	Nominal Diagonal	View Height (in)	View Width (in)	View Height (cm)	View Width (cm)	UPS or FedEx	Net Weight (lbs)	Gross Weight (lbs)	Net Weight (kgs)	Gross Weight (kgs)	Packaging Dimension (LxHxW)	Gain	Screen Material	Fold Size (inch)
PB15G7	15" (4:3)	9.0	12.0	22.9	30.5	Yes	0.8	1.0	0.4	0.5	13x1x11	7.0	StarBright™ 7	12.4x10.7x0.5
PB17G7	17.5" (4:3)	10.5	14.0	26.7	35.6	Yes	1.0	1.2	0.5	0.6	15x1x12.6	7.0	StarBright™ 7	14.4x12.3x0.5
PB20G7	20" (4:3)	12.0	16.0	30.5	40.6	Yes	1.2	1.4	0.6	0.7	16x1x13.7	7.0	StarBright™ 7	16.4x13.4x0.5

### MicroFlip Series Dimension Table

Model	Screen Diag. & Aspect Ratio	Overall Width (A)	Viewing Width (A1)	Overall Length (B)	View Height (B1)	Height at max. angle (B2)	Height at min. angle (B3)	B4	B5	C	C1	Depth (C2)	Min. Angle (α)	Max. Angle (β)
PB15G7	15" (4:3)	315	305	546	229	248	271	272	160	118	118	6	65°	95°
PB17G7	17.5" (4:3)	366	356	624	267	283	311	312	190	128	128	6	65°	95°
PB20G7	20" (4:3)	416	406	680	305	308	339	340	190	156	156	6	65°	95°

Unit: mm

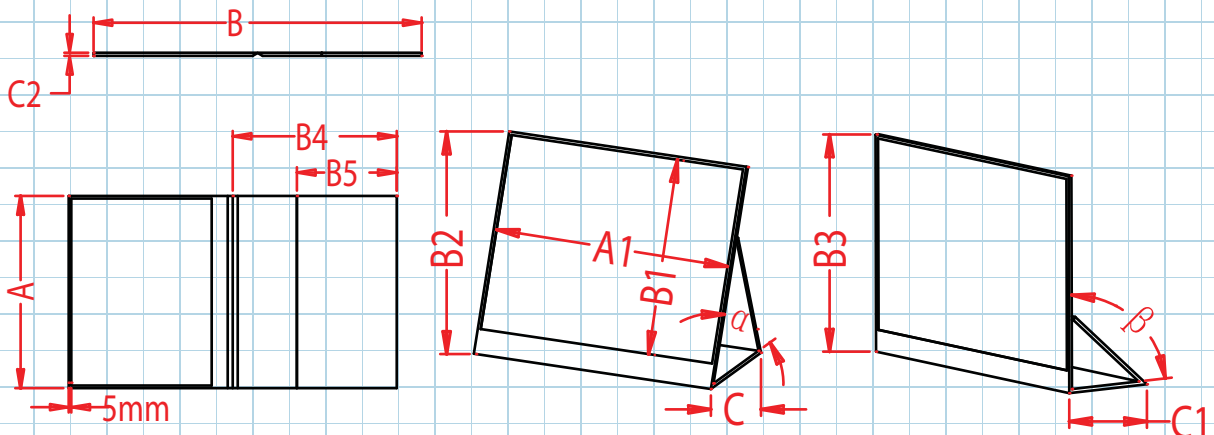
Can't find size and ratio you're looking for? Visit [elitescreens.com/csr](http://elitescreens.com/csr) to create your own

Model	Screen Diag. & Aspect Ratio	Overall Width (A)	Viewing Width (A1)	Overall Length (B)	View Height (B1)	Height at max. angle (B2)	Height at min. angle (B3)	B4	B5	C	C1	Depth (C2)	Min. Angle (α)	Max. Angle (β)
PB15G7	15" (4:3)	12.4	12.0	21.5	9.0	9.8	10.7	10.7	6.3	4.6	4.6	0.2	65°	95°
PB17G7	17.5" (4:3)	14.4	14.0	24.6	10.5	11.1	12.2	12.3	7.5	5.0	5.0	0.2	65°	95°
PB20G7	20" (4:3)	16.4	16.0	26.8	12.0	12.1	13.3	13.4	7.5	6.1	6.1	0.2	65°	95°

Unit: inch

Can't find size and ratio you're looking for? Visit [elitescreens.com/csr](http://elitescreens.com/csr) to create your own

The listed measurements are for general reference only. Please contact Elite Screens to verify product design and dimensions before attempting to integrate its products with any structural or furniture modification. Although a manufacturer may offer product advice, it may be taken or disregarded at the integrator's discretion. Elite Screens will not be held responsible or be otherwise liable for faulty installations.





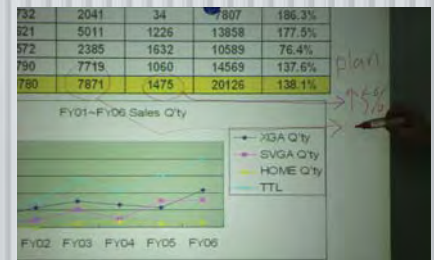
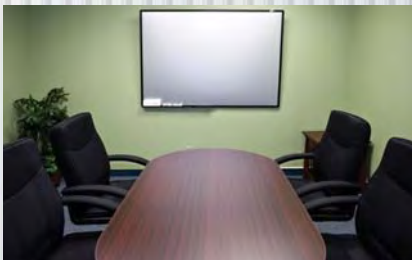
# WhiteBoardScreen™ Series

- Dual Purpose White Board Front Projection Screen
- High gain 4.0 angular reflective screen



## FEATURES & BENEFITS

- Cutting-edge design combines projection screen and dry erase board into one space-saving economical product
- StarBright4™ with 4.0 gain projection surface is coated with a transparent dry-erase layer for Training Presentations
- High reflectivity is ideal for presentations with high levels of ambient light
- For energy conservation and extended projector lamp life, use projector on economy mode. The StarBright™ material will enhance image brightness
- Unique optical coating supports high uniformity and picture clarity
- Contrast enhancements Improve Picture Black Levels for greater resolution and balanced color temperature
- Available Sizes: 60" & 80" (4:3) and 95"(16:9)



## WhiteBoardScreen™ Series: Fixed Frame Front Projection Screen for Entry Home Cinema Projector

Model	Nominal Diagonal	View Height (in)	View Width (in)	View Height (cm)	View Width (cm)	UPS or FedEx	Net Weight (lbs)	Gross Weight (lbs)	Net Weight (kgs)	Gross Weight (kgs)	Packaging Dimension (LxHxW)	Gain	Screen Material	Dry Erase Pen/Eraser Included
WB60V	60" (4:3)	34.6	46.5	88.0	118.0	Yes	34.4	39.7	15.3	17.7	52.4"x3.2"x41"	4.0	StarBright™ 4	Included
WB80V	80" (4:3)	46.5	62.2	118.0	158.0	No	57.3	72.8	25.5	32.4	68.11"x3.15"x52.4"	4.0	StarBright™ 4	Included
WB96H	95" (16:9)	46.5	81.9	118.0	208.0	No	88.2	99.2	39.3	44.2	131.1"x3.15"x52.4"	4.0	StarBright™ 4	Included

### WhiteBoardScreen™ Series Dimension Table

Model	Screen Diag. & Aspect Ratio	Overall Width (A)	Viewing Width (A1)	Overall Height (B)	Viewing Height (B1)	Tray Length (A2)	B2	C1	C2
WB60V	60" (4:3)	1235.0	1190.0	935.0	890.0	1000.0	835	114	160
WB80V	80" (4:3)	1635.0	1590.0	1235.0	1190.0	1400.0	1135	145	228
WB96H	95" (16:9)	2135.0	2090.0	1235.0	1190.0	1900.0	1135	125	187

Unit: mm

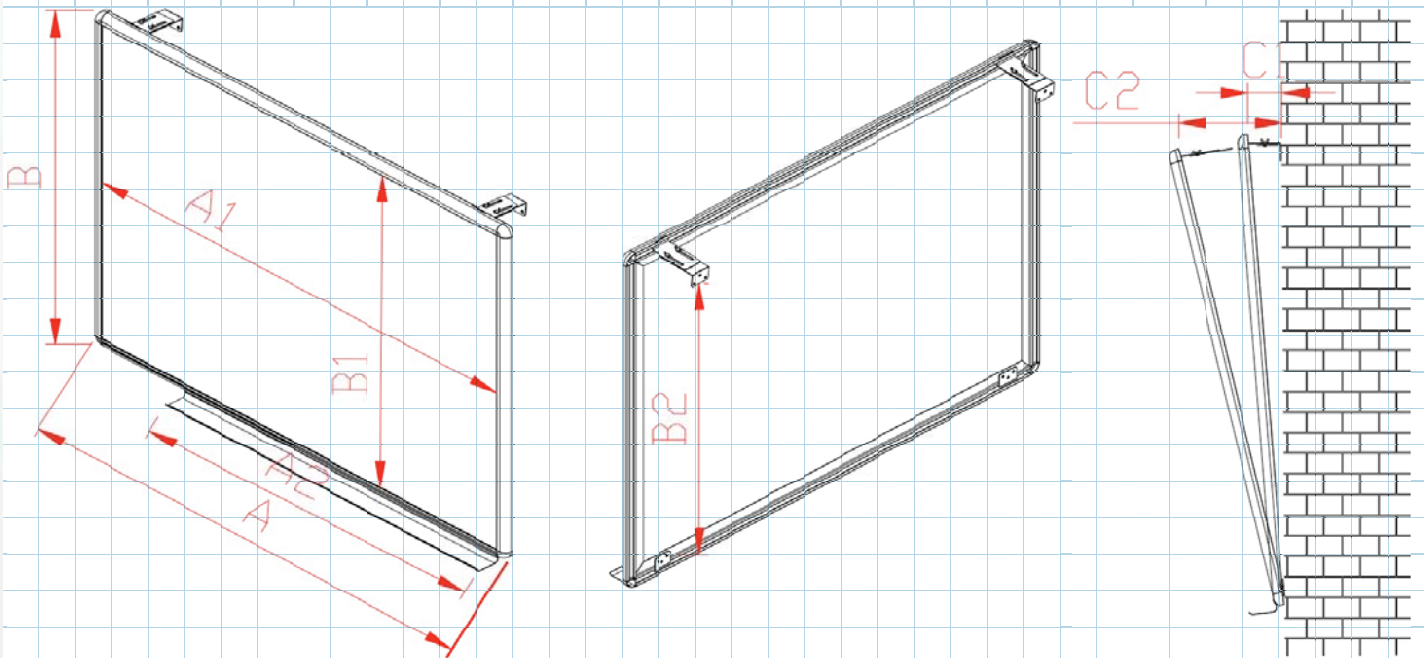
Can't find size and ratio you're looking for? Visit [elitescreens.com/csr](http://elitescreens.com/csr) to create your own

Model	Screen Diag. & Aspect Ratio	Overall Width (A)	Viewing Width (A1)	Overall Height (B)	Viewing Height (B1)	Tray Length (A2)	B2	C1	C2
WB60V	60" (4:3)	48.6	46.9	36.8	35.0	39.4	32.9	4.5	6.3
WB80V	80" (4:3)	64.4	62.6	48.6	46.9	55.1	44.7	5.7	9.0
WB96H	95" (16:9)	84.1	82.3	48.6	46.9	74.8	44.7	4.9	7.4

Unit: inch

Can't find size and ratio you're looking for? Visit [elitescreens.com/csr](http://elitescreens.com/csr) to create your own

The listed measurements are for general reference only. Please contact Elite Screens to verify product design and dimensions before attempting to integrate its products with any structural or furniture modification. Although a manufacturer may offer product advice, it may be taken or disregarded at the integrator's discretion. Elite Screens will not be held responsible or be otherwise liable for faulty installations.





# WhiteBoardScreen Universal™ Series

- Dry-erase whiteboard projection screen

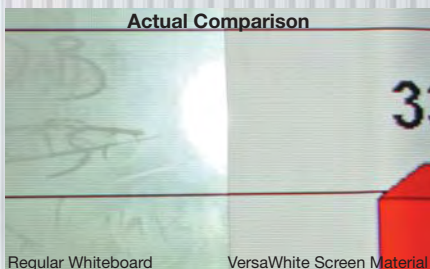


VersaWhite Screen Material shown here on WhiteBoardScreen Universal



## FEATURES & BENEFITS

- Designed for Classrooms, Boardroom, Conference rooms, and Training facilities
- Ideal for short-throw projectors and interactive whiteboard projectors/pens
- No "glare" effect on projection surface as typically experienced on standard white boards
- VersaWhite with 1.1 Gain projection surface is coated with a transparent dry-erase layer
- True color reproduction and contrast enhances overall projection images
- Wide diffusion 180° viewing angle with 1.1 Gain
- Cutting-edge design combines projection screen and dry erase board into one space-saving economical product
- Available in diagonal sizes 58" & 77" (4:3) and 94" (16:9)
- Includes dry erase markers and erasers
- Standard wall mount brackets allow installation flexibility by sliding horizontally along the back rail of the frame



Regular Whiteboard

VersaWhite Screen Material

## WhiteBoardScreen™ Universal Series

Model	Nominal Diagonal	View Height (in)	View Width (in)	View Height (cm)	View Width (cm)	UPS or FedEx	Net Weight (lbs)	Gross Weight (lbs)	Net Weight (kgs)	Gross Weight (kgs)	Packaging Dimension (LxHxW)	Gain	Screen Material	Dry Erase Pen/Eraser Included	Type
WB58VW	58" (4:3)	34.3	45.7	87.0	116.0	Yes	23.2	30.4	10.5	13.8	52"x40.9"x3.15"	1.1	VersaWhite	Included	Hard Board
WB77VW	77" (4:3)	45.7	60.9	116.0	154.7	No	44.8	50.8	20.3	23.1	67.7"x52.2"x3.15"	1.1	VersaWhite	Included	Hard Board
WB87XW	87" (16:10)	45.7	73.1	116.0	185.6	No	27.0	79.2	12.3	36.0	80.5"x53.2"x5.5"	1.1	VersaWhite	Included	Hard Board
WB94HW	94" (16:9)	45.7	81.2	116.0	206.2	No	88.2	99.2	40.1	45.1	131.1"x52.4"x5.9"	1.1	VersaWhite	Included	Hard Board

## WhiteBoardScreen™ Universal Series Dimension Table

Model	Screen Diag. & Aspect Ratio	Overall Width (A)	Viewing Width (A1)	Tray (A2)	Viewing Height (B1)	Overall Height (B)
WB58VW	58" (4:3)	1216.0	1175	1100	883	953
WB77VW	77" (4:3)	1606.0	1564	1450	1175	1216
WB87XW	87" (16:10)	PLEASE VISIT ELITESCREENS.COM				
WB94HW	94" (16:9)	2120.0	2081	2000	1175	1216

Unit: mm

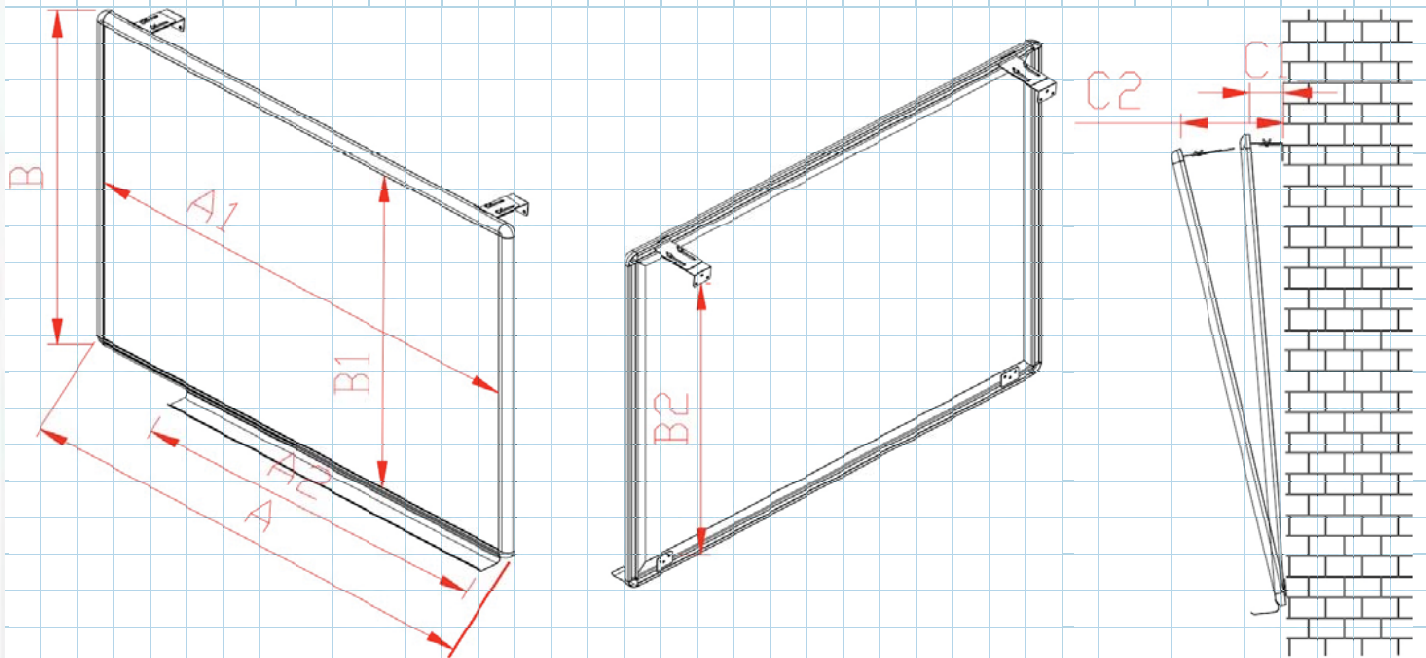
Can't find size and ratio you're looking for? Visit [elitescreens.com/csr](http://elitescreens.com/csr) to create your own

Model	Screen Diag. & Aspect Ratio	Overall Width (A)	Viewing Width (A1)	Tray (A2)	Viewing Height (B1)	Overall Height (B)
WB58VW	58" (4:3)	47.9	46.3	43.3	34.8	37.5
WB77VW	77" (4:3)	63.2	61.6	57.1	46.3	47.9
WB87XW	87" (16:10)	PLEASE VISIT ELITESCREENS.COM				
WB94HW	94" (16:9)	83.5	81.9	78.7	46.3	47.9

Unit: inch

Can't find size and ratio you're looking for? Visit [elitescreens.com/csr](http://elitescreens.com/csr) to create your own

The listed measurements are for general reference only. Please contact Elite Screens to verify product design and dimensions before attempting to integrate its products with any structural or furniture modification. Although a manufacturer may offer product advice, it may be taken or disregarded at the integrator's discretion. Elite Screens will not be held responsible or be otherwise liable for faulty installations.



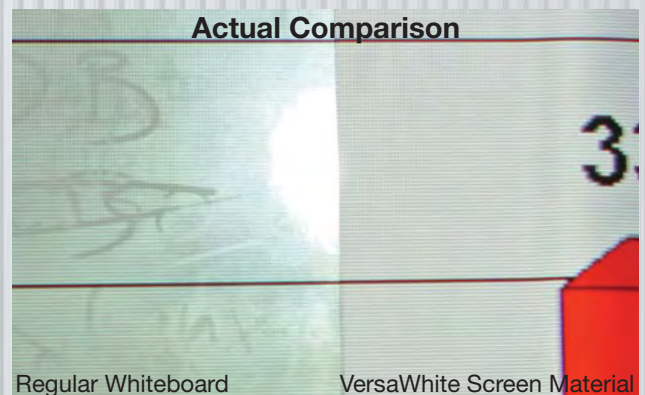
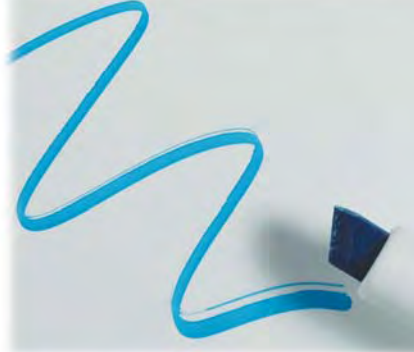


# Insta-DE Series

- Instand Dry Erase Screen - Stick it up, Project & Write

## FEATURES & BENEFITS

- Instant dry erase screen - Stick it up, Project & Write
- Instantly convert your blank wall space into an educational combination of projection screen and dry erase board
- VersaWhite screen material surface is coated with a scratch-resistant optical nanotech resin to enhance the durability as a long term dry erase board
- Designed for the meeting room, educational and training facilities
- Available in 63", 84" (4:3), 95" (16:10), 103" (16:9) and 4'x10' models
- Unique optical coating provides high diffusion uniformity and superior color reproduction
- No "glare" effect on projection surface as typically experienced on standard white boards
- Wide diffusion 180° viewing angle with 1.1 Gain
- Includes markers and erasers



## Insta-DE Series

Model	Nominal Diagonal	View Height (in)	View Width (in)	View Height (cm)	View Width (cm)	UPS or FedEx	Net Weight (lbs)	Gross Weight (lbs)	Net Weight (kgs)	Gross Weight (kgs)	Packaging Dimension (LxHxW)	Gain	Screen Material	Dry Erase Pen/Eraser Included	Type
iWB63VW	63" (4:3)	37.5	50.0	95.3	127.0	Yes	0.4	2.1	0.2	0.9	38.5"x5.1"	1.1	VersaWhite	Included	Soft Pad
iWB84VW	84" (4:3)	50.0	66.7	127.0	169.3	Yes	2.6	4.6	1.2	2.1	54"x6.3"	1.1	VersaWhite	Included	Soft Pad
iWB95XW	95" (16:10)	50.0	80.0	127.0	203.2	Yes	2.9	6.3	1.3	2.9	54"x6.3"	1.1	VersaWhite	Included	Soft Pad
iWB102HW	102" (16:9)	50.0	88.9	127.0	225.7	Yes	3.3	6.6	1.5	3.0	54"x6.3"	1.1	VersaWhite	Included	Soft Pad
iWB4x10HW	4'H x 10'W	50.0	120.0	127.0	304.8	Yes	4.1	7.5	1.9	3.4	54"x6.3"	1.1	VersaWhite	Included	Soft Pad

### Insta-DE Series Dimension Table

Model	Screen Diag. & Aspect Ratio	View Height (A)	View Width (B)	Thickness
iWB63VW	63" (4:3)	953	1270	2.12
iWB84VW	84" (4:3)	1270	1693	2.12
iWB95XW	95" (16:10)	1270	2032	2.12
iWB102HW	102" (16:9)	1270	2257	2.12
iWB4x10HW	4'H x 10'W	1270	3048	2.12

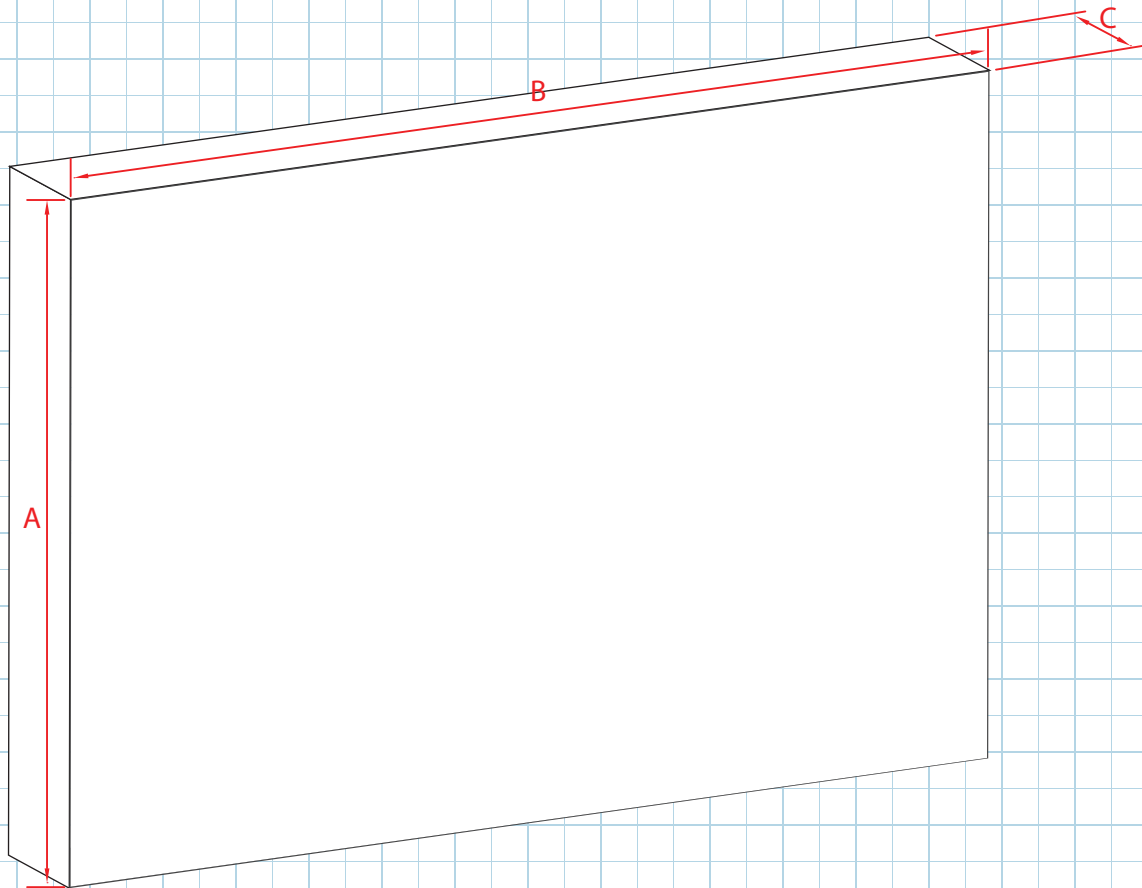
Unit: mm

Model	Screen Diag. & Aspect Ratio	View Height (A)	View Width (B)	Thickness
iWB63VW	63" (4:3)	37.5	50.0	0.0834
iWB84VW	84" (4:3)	50.0	66.7	0.0834
iWB95XW	95" (16:10)	50.0	80.0	0.0834
iWB102HW	102" (16:9)	50.0	88.9	0.0834
iWB4x10HW	4'H x 10'W	50.0	120.0	0.0834

Unit: inch

Can't find size and ratio you're looking for?  
 Visit [elitescreens.com/csr](http://elitescreens.com/csr) to create your own

The listed measurements are for general reference only. Please contact Elite Screens to verify product design and dimensions before attempting to integrate its products with any structural or furniture modification. Although a manufacturer may offer product advice, it may be taken or disregarded at the integrator's discretion. Elite Screens will not be held responsible or be otherwise liable for faulty installations.





# Insta-DEM Series

- Dry erase whiteboard projection screen with magnetic backing



## FEATURES & BENEFITS

- Dry erase whiteboard projection screen with magnetic backing
- Instantly convert any existing magnetic surface or standard whiteboard into a whiteboard projection screen
- VersaWhite screen material surface is coated with a scratch-resistant optical nanotech resin to enhance the durability as a long term dry erase board
- Designed for the meeting room, educational and training facilities
- Available in 52, 69" (4:3), 78" (16:10), and 85" (16:9) models
- Unique optical coating provides high diffusion uniformity and superior color reproduction
- No "glare" effect on projection surface as typically experienced on standard white boards
- Wide diffusion 180° viewing angle with 1.1 Gain
- Includes markers and erasers



## Insta-DEM Series

Model	Nominal Diagonal	View Height (in)	View Width (in)	View Height (cm)	View Width (cm)	UPS or FedEx	Net Weight (lbs)	Gross Weight (lbs)	Net Weight (kgs)	Gross Weight (kgs)	Packaging Dimension (LxHxW)	Gain	Screen Material	Dry Erase Pen/Eraser Included	Type
iWB52VWM	52" (4:3)	31.0	41.3	78.7	104.9	Yes	4.4	5.8	2.0	2.6	37.8"x3.9"	1.1	VersaWhite	Included	Magnetic Pad
iWB70VWM	69" (4:3)	41.3	55.1	105.0	140.0	Yes	8.0	9.8	3.6	4.5	49.6"x3.9"	1.1	VersaWhite	Included	Magnetic Pad
iWB78XWM	78" (16:10)	41.3	66.1	104.9	167.9	Yes	8.7	10.5	3.9	4.8	49.6"x3.9"	1.1	VersaWhite	Included	Magnetic Pad
iWB85HWM	85" (16:9)	41.3	73.5	104.9	186.7	Yes	9.8	11.6	4.5	5.3	49.6"x3.9"	1.1	VersaWhite	Included	Magnetic Pad

### Insta-DEM Series Dimension Table

Model	Screen Diag. & Aspect Ratio	View Height (A)	View Width (B)	Thickness
iWB52VWM	52"(4:3)	788	1050	0.65
iWB70VWM	70"(4:3)	1050	1422	0.65
iWB78XWM	78"(16:10)	1050	1680	0.65
iWB85HWM	85"(16:9)	1050	1866	0.65

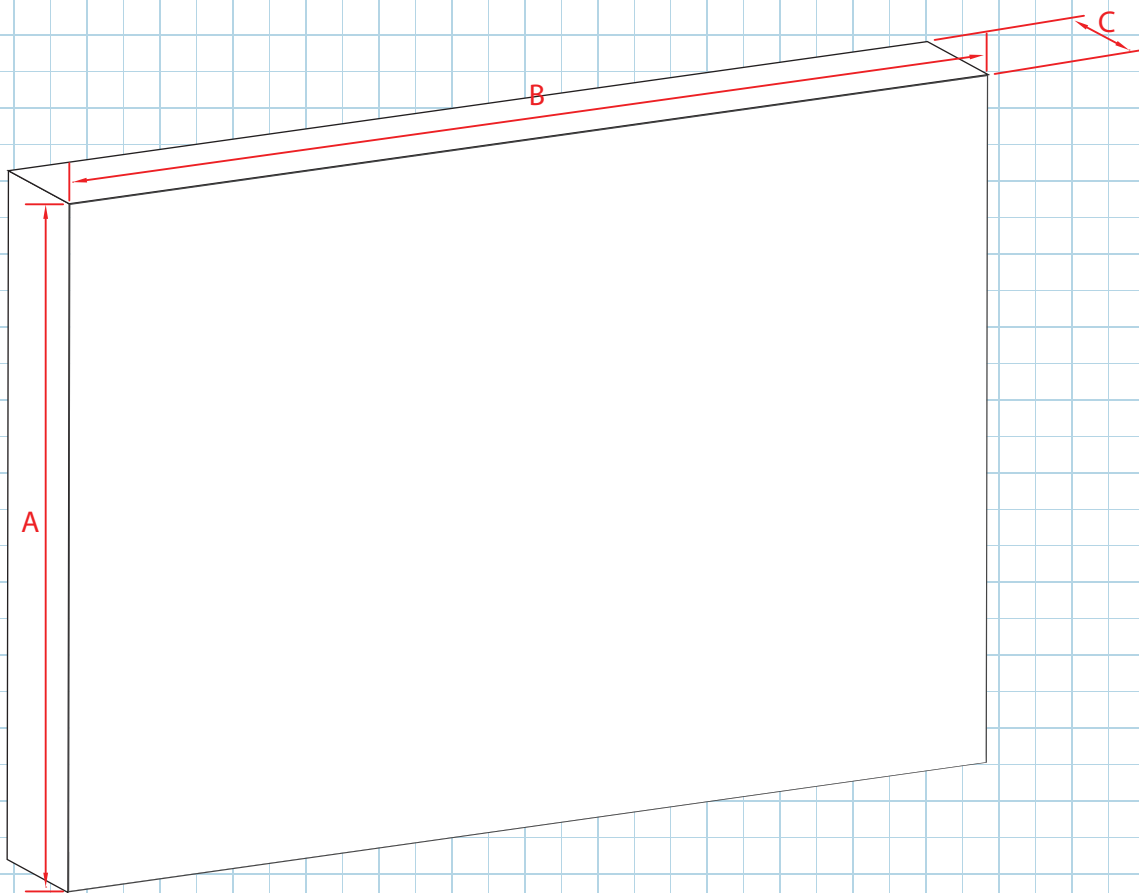
Unit: mm

Model	Screen Diag. & Aspect Ratio	View Height (A)	View Width (B)	Thickness
iWB52VWM	52"(4:3)	31.0	41.3	0.0255
iWB70VWM	70"(4:3)	42.0	56.0	0.0255
iWB78XWM	78"(16:10)	41.3	66.1	0.0255
iWB85HWM	85"(16:9)	41.3	73.5	0.0255

Unit: inch

Can't find size and ratio you're looking for?  
 Visit [elitescreens.com/csr](http://elitescreens.com/csr) to create your own

The listed measurements are for general reference only. Please contact Elite Screens to verify product design and dimensions before attempting to integrate its products with any structural or furniture modification. Although a manufacturer may offer product advice, it may be taken or disregarded at the integrator's discretion. Elite Screens will not be held responsible or be otherwise liable for faulty installations.





# Insta-RP Series

- Self-adhesive optical rear projection material



## FEATURES & BENEFITS

- Self-adhesive optical rear projection material
- Textured PET (Polyethylene terephthalate) with diffusion layer
- 2.2 gain with 180° wide diffusion uniformity
- Material is easy to clean and maintain
- Special custom sizes up to 3000 meters long available

### Insta-RP Series

Model	Nominal Diagonal	View Height (in)	View Width (in)	View Height (cm)	View Width (cm)	UPS or FedEx	Net Weight (lbs)	Gross Weight (lbs)	Net Weight (kgs)	Gross Weight (kgs)	Packaging Dimension (LxHxW)	Gain	Screen Material	Self-Adhesive	Type
iRP74V	74" (4:3)	44.3	59.1	112.5	150.0	Yes	1.5	3.7	0.7	1.7	60.2"x3.9"	2.2	Wraith Veil 2	Yes	Optical Roll Film
iRP99V	99" (4:3)	59.1	78.7	150.0	200.0	Yes	2.0	4.2	0.9	1.9	60.2"x3.9"	2.2	Wraith Veil 2	Yes	Optical Roll Film
iRP68X	68" (16:9)	33.2	59.1	84.4	150.0	Yes	1.3	3.5	0.6	1.6	60.2"x3.9"	2.2	Wraith Veil 2	Yes	Optical Roll Film
iRP103X-100H	103"(16:10)/100"(16:9)	59.1	87.0	150.1	221.0	Yes	2.1	4.2	1.0	1.9	60.2"x3.9"	2.2	Wraith Veil 2	Yes	Optical Roll Film
iRP121H	121" (16:9)	59.1	104.9	150.0	266.6	Yes	2.3	4.4	1.1	2.0	60.2"x3.9"	2.2	Wraith Veil 2	Yes	Optical Roll Film
iRP70X	70" (16:10)	36.9	59.1	93.8	150.0	Yes	1.3	3.5	0.6	1.6	60.2"x3.9"	2.2	Wraith Veil 2	Yes	Optical Roll Film
iRP112X	112" (16:10)	59.1	94.5	150.0	240.0	Yes	2.2	4.3	1.0	2.0	60.2"x3.9"	2.2	Wraith Veil 2	Yes	Optical Roll Film
iRP151C	151" (2.35:1)	59.1	138.8	150.0	352.5	Yes	2.8	4.9	1.3	2.2	60.2"x3.9"	2.2	Wraith Veil 2	Yes	Optical Roll Film
iRP5x20	N/A	59.1	240.0	150.0	609.6	Yes	4.1	6.2	1.9	2.8	60.2"x3.9"	2.2	Wraith Veil 2	Yes	Optical Roll Film

### Insta-RP Series Dimensions Table

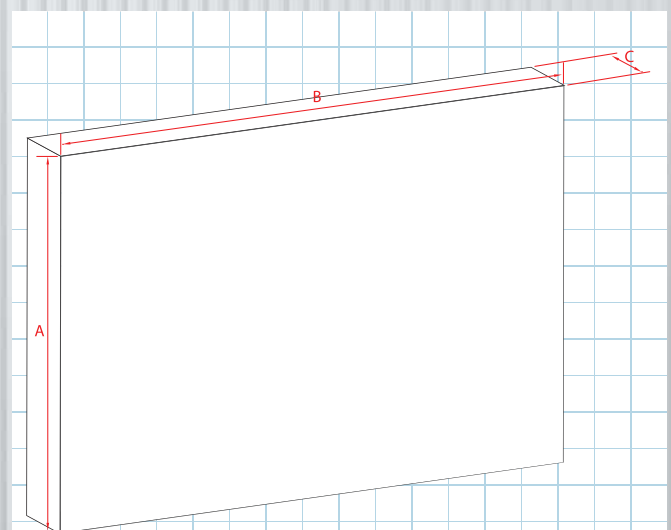
Model	Screen Diag. & Aspect Ratio	View Height (A)	View Width (B)	Thickness
iRP74V	74" (4:3)	1125	1500	0.10
iRP99V	99" (4:3)	1500	2000	0.10
iRP68X	68" (16:9)	844	1500	0.10
iRP103X-100H	103" (16:10) 100" (16:9)	1500	2210	0.10
iRP121H	121" (16:9)	1500	2666	0.10
iRP70X	70" (16:10)	938	1500	0.10
iRP112X	112" (16:10)	1500	2400	0.10
iRP151C	151" (2.35:1)	1500	3525	0.10
iRP10m	N/A	1500	10000	0.10

Unit: mm

Model	Screen Diag. & Aspect Ratio	View Height (A)	View Width (B)	Thickness
iRP74V	74" (4:3)	44.3	59.1	0.0039
iRP99V	99" (4:3)	59.1	78.7	0.0039
iRP68X	68" (16:9)	33.2	59.1	0.0039
iRP103X-100H	103" (16:10) 100" (16:9)	59.1	87.0	0.0039
iRP121H	121" (16:9)	59.1	104.9	0.0039
iRP70X	70" (16:10)	36.9	59.1	0.0039
iRP112X	112" (16:10)	59.1	94.5	0.0039
iRP151C	151" (2.35:1)	59.1	138.8	0.0039
iRP10m	N/A	59.1	393.7	0.0039

Unit: inch

Can't find size and ratio you're looking for?  
Visit [elitescreens.com/csr](http://elitescreens.com/csr) to create your own



The listed measurements are for general reference only. Please contact Elite Screens to verify product design and dimensions before attempting to integrate its products with any structural or furniture modification. Although a manufacturer may offer product advice, it may be taken or disregarded at the integrator's discretion. Elite Screens will not be held responsible or be otherwise liable for faulty installations.

# Elite Screens Accessories

## Accessories

L Bracket	Type	UPS/ Fedex	Max Load(lbs)	Series	Color
ZVMAXLB6-B	6" Wall / Ceiling Hanging Bracket set	Yes	75	Manual / Spectrum / VMAX2	Black
ZVMAXLB6-W	6" Wall / Ceiling Hanging Bracket set	Yes	75	Manual / Spectrum / VMAX2	White
ZVMAXLB12-W	12" Extended Wall / Ceiling Bracket set	Yes	75	Manual / Spectrum / VMAX2	White
ZVMAXLB12-B	12" Extended Wall / Ceiling Bracket set	Yes	75	Manual / Spectrum / VMAX2	Black
ZVMAXLB18-W	18" Extended Wall / Ceiling Bracket set	Yes	120	Manual / Spectrum / VMAX2	White
ZVMAXLB18-B	18" Extended Wall / Ceiling Bracket set	Yes	120	Manual / Spectrum / VMAX2	Black
ZHomeLB11-4	11" Extended Bracket set	Yes	120	Home2/CineTension2	Black
ZHomeLB12-8	12" Extended Bracket set	Yes	120	Home2/CineTension2	Black



ZVMAXLB6-B



ZHomeLB11-4



ZVMAXLB12-B

## Electric Screens Accessories

Model	Type	UPS / Fedex	Color
ZSP-IR-W	IR Remote for All Elite Electric Screen	Yes	White
ZSP-IR-B	IR Remote for All Elite Electric Screen	Yes	Black
ZSP-RF-W	Radio Frequency Remote for All Elite Electric Screen	Yes	White
ZSP-RF-B	Radio Frequency Remote for All Elite Electric Screen	Yes	Black
ZSP-WB-B	Low Voltage 3-Way Wall Box for All Elite Electric Screen	Yes	Black
ZSP-WB-W	Low Voltage 3-Way Wall Box for All Elite Electric Screen	Yes	White
ZSP-EYE&12V	IR "eye" sensor & 12v trigger cable for All Elite Electric Screen	Yes	White
ZIW-W	Low Voltage In-Wall Switch for Electric Screen - White (US Type)	Yes	White
ZIW-W1	Low Voltage In-Wall Switch for Electric Screen - White (US Type)	Yes	White
ZIW-B	Low Voltage In-Wall Switch for Electric Screen - Black (US Type)	Yes	Black
ZIW-Module	In-Wall Switch Module ( for any international country 3-way in wall switch)	Yes	Black
ZR800D	Universal Learning Remote for Electric Screen	Yes	Black
ZSP-TR01	Wireless 5-12 V Trigger for Electric Screens	Yes	Black
ZSP-12V-50B	50' Extension Cat-5 Cable - VMAX2, Spectrum, home2, CineTension2	Yes	Black
ZTF220	Transformer 220V for 110V Screen to be use in 220V country	Yes	Black





## QuickStand Fold Screen-Parts

Model #	Description	UPS/Fedex
ZQ72V-Frame	Frame for Q72V(D)	Yes
ZQ84V-Frame	Frame for Q84V(D)	Yes
ZQ100V-Frame	Frame for Q100V(D)	Yes
ZQ120V-Frame	Frame for Q120V(D)	Yes
ZQ150V-Frame	Frame for Q150V(D)	Yes
ZQ180V-Frame	Frame for Q180V(D)	Yes
ZQ200V-Frame	Frame for Q200V(D)	Yes
ZQ250V-Frame	Frame for Q250V(D)	Yes
ZQ300V-Frame	Frame for Q300V(D)	Yes
ZQ72V-Legs	Pair Legs for Q72V(D)	Yes
ZQ84V-Legs	Pair Legs for Q84V(D)	Yes
ZQ100V-Legs	Pair Legs for Q100V(D)	Yes
ZQ120V-Legs	Pair Legs for Q120V(D)	Yes
ZQ150V-Legs	Pair Legs for Q150V(D)	Yes
ZQ180V-Legs	Pair Legs for Q180V(D)	Yes
ZQ200V-Legs	Pair Legs for Q200V(D)	Yes
ZQ250V-Legs	Pair Legs for Q250V(D)	Yes
ZQ300V-Legs	Pair Legs for Q300V(D)	Yes
ZQ72H-Frame	Frame for Q72H(D)	Yes
ZQ84H-Frame	Frame for Q84H(D)	Yes
ZQ100H-Frame	Frame for Q100H(D)	Yes
ZQ120H-Frame	Frame for Q120H(D)	Yes
ZQ150H-Frame	Frame for Q150H(D)	Yes
ZQ180H-Frame	Frame for Q180H(D)	Yes
ZQ200H-Frame	Frame for Q200H(D)	Yes
ZQ250H-Frame	Frame for Q250H(D)	Yes
ZQ72H-Legs	Pair Legs for Q72H(D)	Yes
ZQ84H-Legs	Pair Legs for Q84H(D)	Yes
ZQ100H-Legs	Pair Legs for Q100H(D)	Yes
ZQ120H-Legs	Pair Legs for Q120H(D)	Yes
ZQ150H-Legs	Pair Legs for Q150H(D)	Yes
ZQ180H-Legs	Pair Legs for Q180H(D)	Yes
ZQ200H-Legs	Pair Legs for Q200H(D)	Yes
ZQ250H-Legs	Pair Legs for Q250H(D)	Yes

Special Order Only

## QuickStand Fold Screen-WraithVeil Rear Screen Material

Model #	Description	Gain	UPS/Fedex
ZQ72V-RP	Rear Screen Material for Q72V	2.2	Yes
ZQ84V-RP	Rear Screen Material for Q84V	2.2	Yes
ZQ100V-RP	Rear Screen Material for Q100V	2.2	Yes
ZQ120V-RP	Rear Screen Material for Q120V	2.2	Yes
ZQ150V-RP	Rear Screen Material for Q150V	2.2	Yes
ZQ180V-RP	Rear Screen Material for Q180V	2.2	Yes
ZQ200V-RP	Rear Screen Material for Q200V	2.2	Yes
ZQ250V-RP	Rear Screen Material for Q250V	2.2	Yes

## Tripod Carrying Bag Type

Model #	Description	UPS or Fedex
ZT71S1 Bag	Tripod Screen Carrying Bag	Yes
ZT85S1 Bag	Tripod Screen Carrying Bag	Yes
ZT99S1 Bag	Tripod Screen Carrying Bag	Yes
ZT113S1 Bag	Tripod Screen Carrying Bag	Yes
ZT119S1 Bag	Tripod Screen Carrying Bag	Yes
ZT136S1 Bag	Tripod Screen Carrying Bag	Yes
ZT84V1 Bag	Tripod Screen Carrying Bag	Yes
ZT100V1 Bag	Tripod Screen Carrying Bag	Yes
ZT120V1 Bag	Tripod Screen Carrying Bag	Yes
ZT92H Bag	Tripod Screen Carrying Bag	Yes
ZT100H Bag	Tripod Screen Carrying Bag	Yes
ZT120H Bag	Tripod Screen Carrying Bag	Yes



Elite Screens Tubular Motors includes circuit board, IR, RF remotes, 12 volt trigger, Optional 3-way wall switch or RS232 module

Motor Type	Screen Model	Rated Power	Starting Power	Voltage	Frequency	Output Torque	Output Speed	Tube Diameter
ETM35-3/28	Home100" and below	75W	187.5W	110V	60hz	3NM	28rpm	35mm
ETM35-6/14	TE84H;TE84V;Home120H;Home135H; Home150H;Home120V;Home135V;Home150V;Home120S; Home135S;Home150S;VMAX180/170S, Osprey	75W	187.5W	110V	60hz	6NM	14rpm	35mm
ETM45-8/30	TE92"-106"	140W	350W	110V	60hz	8NM	30rpm	45mm
ETM45-15/30	Home165S;Home200S;Home180V;Home180H;VMAX200; TE120"-150"	240W	600W	110V	60hz	15NM	30rpm	45mm
ETM45-10/17	Raptor series;Kestrel series	130W		110V	60Hz	10NM	17rpm	45mm
ETM45-30/17	VMAX300"	240W		220V	60Hz	30NM	17rpm	45mm
ETM45-50/12	VMAX350" -- 400"	240W		220V	60Hz	50NM	17rpm	45mm



## FIXED FRAME SCREEN MATERIAL



### Fixed Frame CineGrey Screen Material

Model #	Description	Gain	UPS/Fedex
ZR84H1-M	CineGrey Front Screen Material	1.0	Yes
ZR92H1-M	CineGrey Front Screen Material	1.0	Yes
ZR100H1-M	CineGrey Front Screen Material	1.0	Yes
ZR106H1-M	CineGrey Front Screen Material	1.0	Yes
ZR120H-M	CineWhite Front Screen Material	1.0	Yes
ZR135H1-M	CineGrey Front Screen Material	1.0	Yes



### Fixed Frame Wraith Veil Rear Screen Material

Model #	Description	Gain	UPS/Fedex
ZS-R84HR	R84 16:9, Rear Projection Material	2.2	Yes
ZS-R92HR	R92 16:9 Rear Projection Material	2.2	Yes
ZS-R106HR	R106 16:9 Rear Projection Material	2.2	Yes
ZS-R120HR	R120 16:9 Rear Projection Material	2.2	Yes
ZS-R135HR	R135 16:9 Rear Projection Material	2.2	Yes
ZS-R84VR	R84 4:3 Rear Projection Material	2.2	Yes
ZS-R100VR	R100 4:3 Rear Projection Material	2.2	Yes
ZS-R120VR	R120 4:3 Rear Projection Material	2.2	Yes
ZS-R135VR	R135 4:3 Rear Projection Material	2.2	Yes
ZS-R150VR	R150 4:3 Rear Projection Material	2.2	Yes



### Fixed Frame CineWhite Screen Material

Model #	Description	Gain	UPS/Fedex
ZR92WH-M	CineWhite Front Screen Material	1.1	Yes
ZR100WH-M	CineWhite Front Screen Material	1.1	Yes
ZR106WH-M	CineWhite Front Screen Material	1.1	Yes
ZR120WH-M	CineWhite Front Screen Material	1.1	Yes
ZR135WH-M	CineWhite Front Screen Material	1.1	Yes
ZR84WV-M	CineWhite Front Screen Material	1.1	Yes
ZR100WV-M	CineWhite Front Screen Material	1.1	Yes
ZR120WV-M	CineWhite Front Screen Material	1.1	Yes



### Fixed Frame AcousticPro1080 Screen Material

Model #	Description	Gain	UPS/Fedex
ZR84WH1-A1080	R84 16:9 CineWhite-AcousticPro1080 Material	1.0	Yes
ZR92WH1-A1080	R92 16:9 CineWhite-AcousticPro1080 Material	1.0	Yes
ZR106WH1-A1080	R106 16:9 CineWhite-AcousticPro1080 Material	1.0	Yes
ZR120WH1-A1080	R120 16:9 CineWhite-AcousticPro1080 Material	1.0	Yes
ZR135WH1-A1080	R135 16:9 CineWhite-AcousticPro1080 Material	1.0	Yes
ZR150WH1-A1080	R150 16:9 CineWhite-AcousticPro1080 Material	1.0	Yes
ZR165WH1-A1080	R165 16:9 CineWhite-AcousticPro1080 Material	1.0	Yes
ZR180WH1-A1080	R180 16:9 CineWhite-AcousticPro1080 Material	1.0	Yes



### Fixed Frame PowerGain Screen Material

Model #	Description	Gain	UPS/Fedex
ZR92GH-M	Power Gain Front Screen Material	1.8	Yes
ZR100GH-M	Power Gain Front Screen Material	1.8	Yes
ZR106GH-M	Power Gain Front Screen Material	1.8	Yes
ZR120GH-M	Power Gain Front Screen Material	1.8	Yes



## Ceiling Trim Kit for Spectrum & VMAX2 Series Dimensions Table

Model	Screen Model	Net Weight (lbs)	Gross Weight (lbs)	Net Weight (kgs)	Gross Weight (kgs)
ZCVMAX99S	VMAX99UWS2(XWS2) Ceiling Trim Kit	11.1	13.6	5.1	6.2
ZCVMAX119S	VMAX119UWS2(XWS2) Ceiling Trim Kit	12.2	14.9	5.6	6.8
ZCVMAX84V	VMAX84UWV2(XWV2),Electric84V Ceiling Trim Kit	11.0	13.5	5.0	6.1
ZCVMAX92V	VMAX92UWV2(XWV2) Ceiling Trim Kit	12.1	13.8	5.5	6.3
ZCVMAX150V	VMAX150UWV2(XWV2) Ceiling Trim Kit	15.0	18.1	6.8	8.2
ZCVMAX84H	VMAX84H2 & Electric84H Ceiling Trim Kit	11.7	13.7	5.3	6.2
ZCVMAX106H	VMAX106H2 Ceiling Trim Kit	13.3	15.8	6.0	7.2
ZCVMAX120H	VMAX120H2 Ceiling Trim Kit	14.0	17.0	6.3	7.7
ZCElectric125H	Electric125H Ceiling Trim Kit				
ZCVMAX135H	VMAX135H2 Ceiling Trim Kit	14.8	17.4	6.7	7.9
ZCVMAX150H	VMAX150H2 Ceiling Trim Kit	15.9	18.7	7.2	8.5
ZCVMAX106X	VMAX106UWX2 (-E24) Ceiling Trim Kit				
ZCEV120V-110H-136S	Electric120V,VMAX120UWV2(XWV2),VMAX110UWH2,VMAX136UWS2(XWS2) Ceiling Trim Kit	13.2	15.4		
ZCE100H-V100H	Electric100H,VMAX100H2 Ceiling Trim Kit	12.7	15.1	5.8	6.8
ZCEV100V-V92H-V113S	Electric100V,VMAX100UWV2(XWV2),VMAX92UWH2(XWH2),VMAX113UWS2(XWS2) Ceiling Trim Kit	12.1	14.3	5.5	6.5
ZCV135V-V153S-V128X	VMAX153UWS2(XWS2),VMAX135UWV2(XWV2), VMAX128X Ceiling Trim Kit	14.3	16.8	6.5	7.6

## Ceiling Trim Kit for Spectrum & VMAX2 Series Dimension Table

Model	Suspension Bars Distance Horizontally (A)	Suspension Bar Hole Distance (A1)	Height from Ceiling Panel to Suspension Bar (B)	Suspension Bar Height (B1)	Suspension Bar Hole Distance (B2)	Distance between Suspension Bars Vertically (C)
ZCVMAX99S	2116	2092	960	900	50	177
ZCVMAX119S	2501	2477	960	900	50	177
ZCVMAX84H	2197	2173	960	900	50	177
ZCE100H-V100H	2573	2549	960	900	50	177
ZCVMAX106H	2708	2684	960	900	50	177
ZCVMAX120H	3020	2996	960	900	50	177
ZCVMAX135H	3352	3328	960	900	50	177
ZCVMAX150H	3686	3662	960	900	50	177
ZCVMAX84V	2045	2021	960	900	50	177
ZCVMAX92V	2207	2183	960	900	50	177
ZCEV100V-V92H-V113S	2395	2371	960	900	50	177
ZCEV120V-V110H-V136S	2802	2778	960	900	50	177
ZCV135V-V153S-V128X	3106	3082	960	900	50	177
ZCVMAX150V	3412	3388	960	900	50	177
ZCElectric125H	3132	3108	960	900	50	177

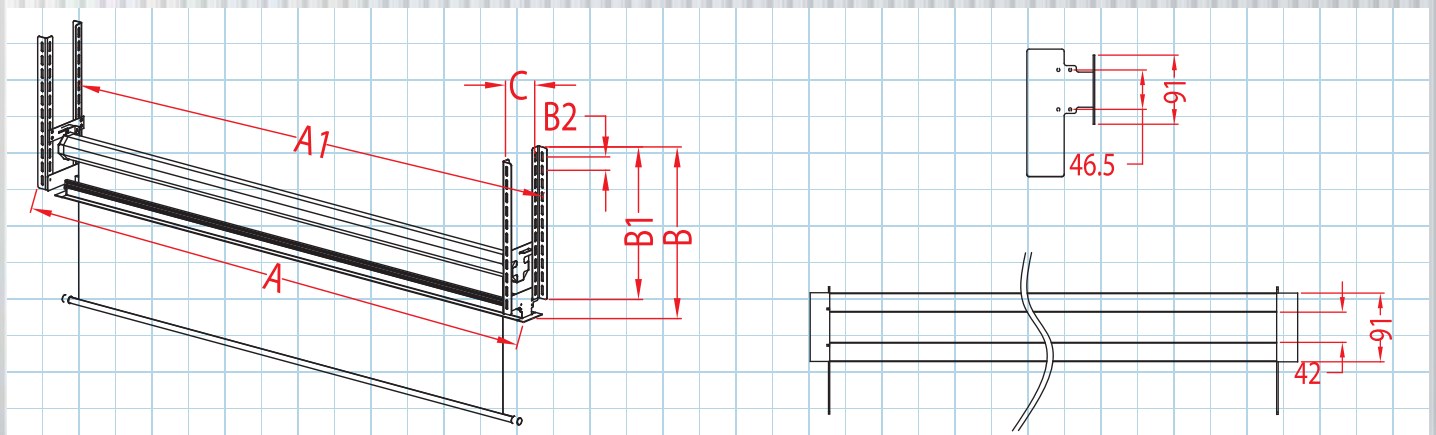
Unit: mm

\*Measurement dimensions are intended as a reference only and subject to change without notice. Note: Data Error ±1"

Model	Suspension Bars Distance Horizontally (A)	Suspension Bar Hole Distance (A1)	Height from Ceiling Panel to Suspension Bar (B)	Suspension Bar Height (B1)	Suspension Bar Hole Distance (B2)	Distance between Suspension Bars Vertically (C)
ZCVMAX99S	83.3	82.4	37.8	35.4	2.0	7.0
ZCVMAX119S	98.5	97.5	37.8	35.4	2.0	7.0
ZCVMAX84H	86.5	85.6	37.8	35.4	2.0	7.0
ZCE100H-V100H	101.3	100.4	37.8	35.4	2.0	7.0
ZCVMAX106H	106.6	105.7	37.8	35.4	2.0	7.0
ZCVMAX120H	118.9	118.0	37.8	35.4	2.0	7.0
ZCVMAX135H	132.0	131.0	37.8	35.4	2.0	7.0
ZCVMAX150H	145.1	144.2	37.8	35.4	2.0	7.0
ZCVMAX84V	80.5	79.6	37.8	35.4	2.0	7.0
ZCVMAX92V	86.9	85.9	37.8	35.4	2.0	7.0
ZCEV100V-V92H-V113S	94.3	93.3	37.8	35.4	2.0	7.0
ZCEV120V-V110H-V136S	110.3	109.4	37.8	35.4	2.0	7.0
ZCV135V-V153S-V128X	122.3	121.3	37.8	35.4	2.0	7.0
ZCVMAX150V	134.3	133.4	37.8	35.4	2.0	7.0
ZCElectric125H	123.3	122.4	37.8	35.4	2.0	7.0

Unit: inch

\*Measurement dimensions are intended as a reference only and subject to change without notice. Note: Data Error ±1"



# Elite Screens Accessories

## Ceiling Trim Kit for Home Series Dimensions Table

Model	Screen Model	Net Weight (lbs)	Gross Weight (lbs)	Net Weight (kgs)	Gross Weight (kgs)
ZHOME80S	Home80IWS2 Ceiling Trim Kit	10.1	12.6	4.6	5.7
ZHOME120S	Home120IWS2 Ceiling Trim Kit	12.7	15.4	5.8	7.0
ZHOME135S	Home135IWS2 Ceiling Trim Kit	13.7	16.0	6.2	7.3
ZHOME75V	Home75IWW2 Ceiling Trim Kit	11.0	12.7	5.0	5.8
ZHOME100V	Home100IWW2 Ceiling Trim Kit	12.4	14.6	5.6	6.6
ZHome120V	Home120IWW2 Ceiling Trim Kit	13.7	16.0	6.2	7.3
ZHome135V	Home135IWW2 Ceiling Trim Kit	14.6	17.2	6.6	7.8
ZHome150V	Home150IWW2 Ceiling Trim Kit	15.0	18.2	6.8	8.3
ZHome75H	Home75IWH2 (-E30) Ceiling Trim Kit	11.7	13.7	5.3	6.2
ZHome90H	Home90IWH2 Ceiling Trim Kit	12.1	14.3	5.5	6.5
ZHome100H	Home100IWS2 Ceiling Trim Kit	13.2	15.9	6.0	7.2
ZHome120H	Home120IWS2 Ceiling Trim Kit	14.3	17.1	6.5	7.8
ZHOME135H	Home135IWH2 Ceiling Trim Kit	15.0	18.2	6.8	8.3
ZHOME150H	Home150IWH2 Ceiling Trim Kit	15.0	19.0	6.8	8.6
ZCH100S-H90V	Home100IWS2,Home90IWW2 Ceiling Trim Kit				

## Ceiling Trim Kit for Home Series Dimension Table

Model	Suspension Bars Distance Horizontally (A)	Suspension Bar Hole Distance (A1)	Height from Ceiling Panel to Suspension Bar (B)	Suspension Bar Height (B1)	Suspension Bar Hole Distance (B2)	Distance between Suspension Bars Vertically (C)
ZHOME80S	1753	1729	960	900	50	177
ZCH100S-H90V	2134	2110	960	900	50	177
ZHOME120S	2489	2465	960	900	50	177
ZHOME135S	2756	2732	960	900	50	177
ZHOME75V	1829	1805	960	900	50	177
ZHOME100V	2362	2338	960	900	50	177
ZHOME120V	2769	2745	960	900	50	177
ZHOME75H	1963	1939	960	900	50	177
ZHOME90H	2297	2273	960	900	50	177
ZHOME100H	2540	2516	960	900	50	177
ZHOME120H	2997	2973	960	900	50	177
ZHOME135H	3327	3303	960	900	50	177

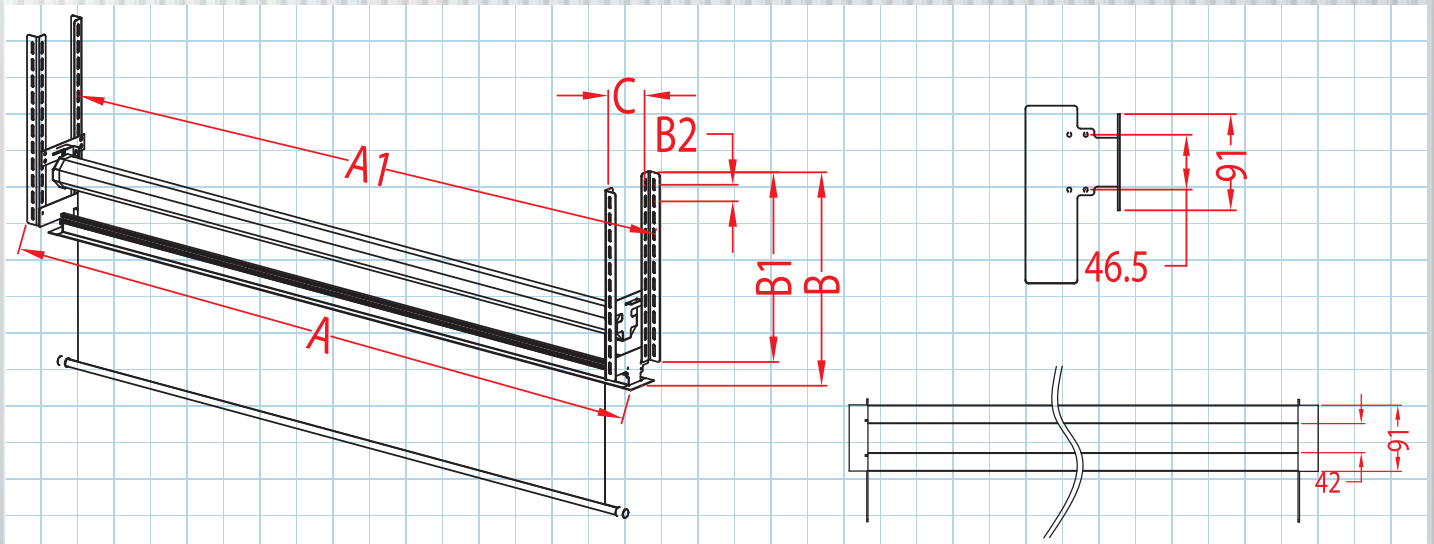
Unit: mm

\*Measurement dimensions are intended as a reference only and subject to change without notice. Note: Data Error ±1"

Model	Suspension Bars Distance Horizontally (A)	Suspension Bar Hole Distance (A1)	Height from Ceiling Panel to Suspension Bar (B)	Suspension Bar Height (B1)	Suspension Bar Hole Distance (B2)	Distance between Suspension Bars Vertically (C)
ZHOME80S	69.0	68.1	37.8	35.4	2.0	7.0
ZCH100S-H90V	84.0	83.1	37.8	35.4	2.0	7.0
ZHOME120S	98.0	97.0	37.8	35.4	2.0	7.0
ZHOME135S	108.5	107.6	37.8	35.4	2.0	7.0
ZHOME75V	72.0	71.1	37.8	35.4	2.0	7.0
ZHOME100V	93.0	92.0	37.8	35.4	2.0	7.0
ZHOME120V	109.0	108.1	37.8	35.4	2.0	7.0
ZHOME75H	77.3	76.3	37.8	35.4	2.0	7.0
ZHOME90H	90.4	89.5	37.8	35.4	2.0	7.0
ZHOME100H	100.0	99.1	37.8	35.4	2.0	7.0
ZHOME120H	118.0	117.0	37.8	35.4	2.0	7.0
ZHOME135H	131.0	130.0	37.8	35.4	2.0	7.0

Unit: inch

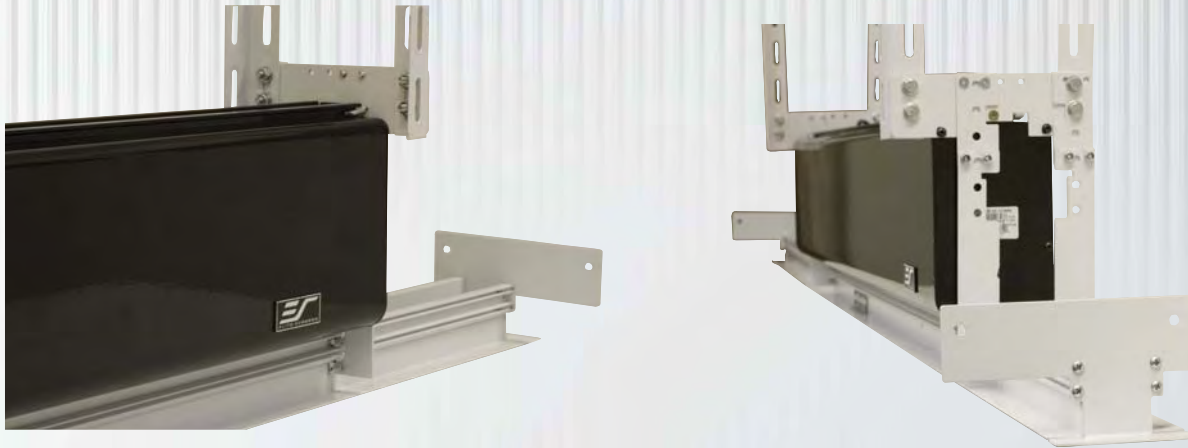
\*Measurement dimensions are intended as a reference only and subject to change without notice. Note: Data Error ±1"





## Universal Series Ceiling Trim Kit

Model	Screen Model
ZCU1	VMAX99S/84V/80H; Home100S/90V/75V/75H/80S & TE84V
ZCU2	VMAX100V/92H/113S/119S/84H/92V/90X/85X; Home120S/100H/90H/100V & TE92H/100V/94X/85C/84H/92V/100V
ZCU3	VMAX120V/100H/106H/136S/106X/110H; HOME135S/120H/120V; TE100H/106H/120V/103C/106X/96C/110H & DTE97C78H/DTE110C88H
ZCU4	Electric125H/VMAX135H/120H/135V/128X/153S; Home135V/150V/135H/150S; TE120H/115C/135V/116X/128X & DTE117C94H
ZCU5	VMAX150H/150V/170S; Home150H/165S; TE135H/125C/138C/150H/150V/139X & DTE133C106H



## Ceiling Trim Kit for CineTension2 Series Dimensions Table

Model	Screen Model	Net Weight (lbs)	Gross Weight (lbs)	Net Weight (kgs)	Gross Weight (kgs)
ZCTE84V	TE84VW2, TE84VW2-E30, TE84VW2-A1080, TE84VG2, TE84VR2	11.9	14.3	5.4	6.5
ZCTE120V103C110H	TE120VW2, TE120VW2-A1080, TE120VG2, TE120VR2, TE103C-E24, TE110HW2, & TE110HW2-E24	13.9	17.2	6.3	7.8
ZCTE135V128X	TE135VW2, TE135VW2-A1080, TE135VG2, TE135VR2 & TE128XW2-E20	16.8	20.4	6.6	8.0
ZCTE150V	TE150VW2, TE150VW2-A1080, TE150VR2				
ZCTE84H	TE84HW2, TE84HW2-A1080, TE84HC2, TE84HR2, TE84HG2	12.1	6.6	5.5	6.6
ZCTE92H100V94X	TE92HW2, TE92HW2-A1080, TE92HC2, TE92HR2, TE92HG2, TE100VW2, TE100VW2-E12, TE100VW2-A1080, TE100VR2, TE100VG2, and TE94XW2				
ZCTE100H	TE100HW2, TE100HW2-E24, TE100HW2-A1080, TE100HC2, TE100HR2, TE100HG2	13.6	16.1	6.2	7.3
ZCTE106H	TE106HW2, TE106HW2-E24, TE106HW2-A1080, TE106HC2, TE106HR2, TE106HG2	13.7	17.0	6.2	7.7
ZCTE120H-TE115C	TE120HW2, TE120HW2-E20, TE120HW2-A1080, TE120HC2, TE120HR2, TE120HG2, & TE115C-E24	14.3	18.1	6.5	8.2
ZCTE135H139X	TE135HW2, TE135HW2-E12, TE135HW2-A1080, TE135HC2, TE135HR2, TE135HG2 & TE139XW2	15.7	18.7	7.1	8.5
ZCTE150H	TE150HW2, TE150HW2-E12, TE150HW2-A1080, TE150HC2, TE150HR2, TE150HG2	16.9	19.8	7.7	9.0
ZCTE85C	TE85C-E30				
ZCTE96C	TE96C-E24				
ZCTE125C	TE125C-E20				
ZCTE138C	TE138C-16				
ZCTE153C	TE153C-12				
ZCTE106X	TE106XW2-E24				
ZCTE116X	TE116XW2				

## Ceiling Trim Kit for CineTension2 Series Dimension Table

Model	Suspension Bars Distance Horizontally (A)	Suspension Bar Hole Distance (A1)	Height from Ceiling Panel to Suspension Bar (B)	Suspension Bar Height (B1)	Suspension Bar Hole Distance (B2)	Distance between Suspension Bars Vertically (C)
ZCTE84V	2178	2154	960	900	50	177
ZCTE120V103C110H	2949	2925	960	900	50	177
ZCTE135V128X	3254	3230	960	900	50	177
ZCTE150V	3579	3555	960	900	50	177
ZCTE84H	2416	2392	960	900	50	177
ZCT92H100V94X	2507	2483	960	900	50	177
ZCTE100H	2684	2660	960	900	50	177
ZCTE106H	2837	2813	960	900	50	177
ZCTE120H-TE115C	3176	3152	960	900	50	177
ZCTE135H139X	3508	3484	960	900	50	177
ZCTE150H	3871	3847	960	900	50	177
ZCTE85C	2468	2444	960	900	50	177
ZCTE96C	2733	2709	960	900	50	177
ZCTE125C	3410	3386	960	900	50	177
ZCTE138C	3714	3690	960	900	50	177
ZCTE153C	4065	4041	960	900	50	177
ZCTE106X	2798	2774	960	900	50	177
ZCTE116X	3004	2980	960	900	50	177

Unit: mm

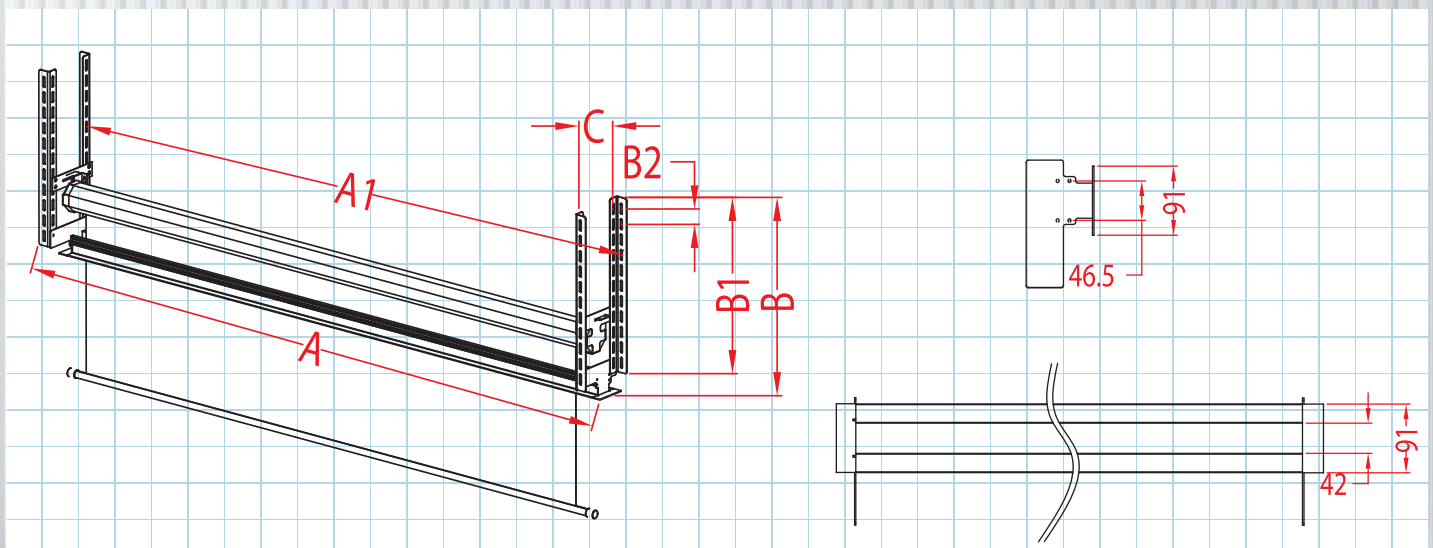
\*Measurement dimensions are intended as a reference only and subject to change without notice. Note: Data Error ±1"

## Ceiling Trim Kit for CineTension2 Series Dimension Table

Model	Suspension Bars Distance Horizontally (A)	Suspension Bar Hole Distance (A1)	Height from Ceiling Panel to Suspension Bar (B)	Suspension Bar Height (B1)	Suspension Bar Hole Distance (B2)	Distance between Suspension Bars Vertically (C)
ZCTE84V	82.8	81.9	37.8	35.4	2.0	7.0
ZCTE120V103C110H	98.7	97.8	37.8	35.4	2.0	7.0
ZCTE135V128X	116.1	115.2	37.8	35.4	2.0	7.0
ZCTE150V	128.1	127.2	37.8	35.4	2.0	7.0
ZCTE84H	88.8	87.9	37.8	35.4	2.0	7.0
ZCT92H100V94X	98.7	97.8	37.8	35.4	2.0	7.0
ZCTE100H	105.7	104.7	37.8	35.4	2.0	7.0
ZCTE106H	111.7	110.7	37.8	35.4	2.0	7.0
ZCTE120H-TE115C	125.0	124.1	37.8	35.4	2.0	7.0
ZCTE135H139X	138.1	137.2	37.8	35.4	2.0	7.0
ZCTE150H	152.4	151.5	37.8	35.4	2.0	7.0
ZCTE85C	97.2	96.2	37.8	35.4	2.0	7.0
ZCTE96C	107.6	106.7	37.8	35.4	2.0	7.0
ZCTE125C	134.3	133.3	37.8	35.4	2.0	7.0
ZCTE138C	146.2	145.3	37.8	35.4	2.0	7.0
ZCTE153C	160.0	159.1	37.8	35.4	2.0	7.0
ZCTE106X	110.2	109.2	37.8	35.4	2.0	7.0
ZCTE116X	118.3	117.3	37.8	35.4	2.0	7.0

Unit: inch

\*Measurement dimensions are intended as a reference only and subject to change without notice. Note: Data Error ±1"





**DEALER PROFILE**

Please complete the Dealer Profile to the best of your ability. This information will provide a good picture of the company's potential, structure and sales strategies. Your recommendation on pricing should be supported by the information provided. A separate credit application must be completed to establish a line of credit with Elite Screens.

Company Name \_\_\_\_\_ Phone: \_\_\_\_\_ Fax: \_\_\_\_\_

Address: \_\_\_\_\_ City: \_\_\_\_\_ State: \_\_\_\_\_ ZIP: \_\_\_\_\_

# Years in business \_\_\_\_\_ # Years at this location \_\_\_\_\_ Total Sales \$ \_\_\_\_\_  
 # Branch offices \_\_\_\_\_ (please provide branch details on reverse side) # Projectors sold monthly \_\_\_\_\_  
 # Outside sales personnel \_\_\_\_\_ # Inside sales personnel \_\_\_\_\_ # Screens sold monthly \_\_\_\_\_  
 Territory covered (states) \_\_\_\_\_

**Type of business – check all that apply**

<input type="checkbox"/> AV Dealer	<input type="checkbox"/> Computer Dealer	<input type="checkbox"/> Home Theatre
<input type="checkbox"/> Web	<input type="checkbox"/> Mass Market	<input type="checkbox"/> Education
<input type="checkbox"/> Gaming	<input type="checkbox"/> Retailer	<input type="checkbox"/> Bid
<input type="checkbox"/> Other _____		<input type="checkbox"/> Distribution

**Services offered by %**

_____ % Home	_____ % Rental	_____ % Installation
_____ % Contract	_____ % Training	_____ % Other _____

**Products sold by %**

_____ % Traditional	_____ % Videoconferencing	_____ % Broadcast
_____ % Projection	_____ % Home Cinema	_____ % Lighting
_____ % Video	_____ % Furniture	_____ % Accessories
		_____ % Other: _____

**Marketing Efforts – check all that apply**

<input type="checkbox"/> Catalog	<input type="checkbox"/> Web Page _____
<input type="checkbox"/> Trade Shows	<input type="checkbox"/> Promotions
<input type="checkbox"/> Spiffs OK	<input type="checkbox"/> Mailings
<input type="checkbox"/> Other _____	<input type="checkbox"/> Advertising

**CONTACTS**

Decision Maker _____	Phone _____	e-mail _____
Sales Manager _____	Phone _____	e-mail _____
Accounts Payable _____	Phone _____	e-mail _____
Purchasing _____	Phone _____	e-mail _____
Warehouse _____	Phone _____	e-mail _____
Service Manager _____	Phone _____	e-mail _____

**REP FIRM INFORMATION / COMMENTS**

Firm Name \_\_\_\_\_ Completed By \_\_\_\_\_ Date \_\_\_\_\_

Comments? \_\_\_\_\_

**For Internal Use Only**

Date Received: \_\_\_\_\_ Reviewed By \_\_\_\_\_ Price Level Approval \_\_\_\_\_

Credit App Received?  Yes  No Approved?  Yes  No Credit Limit \$ \_\_\_\_\_







# Custom Size Request Form

**Company Name** \_\_\_\_\_

**First Name** \_\_\_\_\_ **Last Name** \_\_\_\_\_

**E-Mail** \_\_\_\_\_

**Company Phone** \_\_\_\_\_ **Company Fax** \_\_\_\_\_

**Home Phone** \_\_\_\_\_ **Mobile Phone** \_\_\_\_\_

**Address 1 (Bill to)** \_\_\_\_\_

City \_\_\_\_\_ State (Province) \_\_\_\_\_ Zip Code (Postal) \_\_\_\_\_ Country \_\_\_\_\_

**Address 2 (Ship to)** \_\_\_\_\_

City \_\_\_\_\_ State (Province) \_\_\_\_\_ Zip Code (Postal) \_\_\_\_\_ Country \_\_\_\_\_

**Screen Series:**

- Manual     Manual SRM     Manual SRM Pro     VMAX2     VMAX Plus3(4)     Home2     ezFrame
- ezCinema     ezCinema Plus     Tripod     Tripod Pro     QuickStand     QuickStand Drape
- Kestrel     Evanesce     Evanesce Tension     Kestrel Tension     Raptor     Raptor Tension
- Raptor Module     Raptor Module Tension     Other \_\_\_\_\_

**Voltage**     110V     220V     230V     Other \_\_\_\_\_    **Power Plug Type** \_\_\_\_\_

**View Width:** \_\_\_\_\_ **inch**    \_\_\_\_\_ **cm**    **Note:** \_\_\_\_\_

**View Height:** \_\_\_\_\_ **inch**    \_\_\_\_\_ **cm**    **Note:** \_\_\_\_\_

**Top Black Masking:** \_\_\_\_\_ **inch**    \_\_\_\_\_ **cm**    **Note:** \_\_\_\_\_

**Bottom Black Masking:** \_\_\_\_\_ **inch**    \_\_\_\_\_ **cm**    **Note:** \_\_\_\_\_

**Aspect Ratio:**     1:1     4:3     16:9     16:10     2.35:1    **Other** (Please specify) \_\_\_\_\_

**Case Color:**     Black     White     Other (Please specify) \_\_\_\_\_    **Note:** \_\_\_\_\_

**Screen Material:**

- MaxWhite     MaxWhite FG     MaxWhite Plus     CineWhite
- CineGrey     PowerGain     WraithVeil (Rear)     AcousticPro1080™
- StarBright™ 7

**Requested Delivery Date:** \_\_\_\_\_ **Note:** \_\_\_\_\_

**Special Requirements:**

**3 Ways to Request Custom Size Screen**

1. Online Form @ [www.elitescreens.com/csr](http://www.elitescreens.com/csr)
2. Email this form to [CSR@elitescreens.com](mailto:CSR@elitescreens.com)
3. Fax this form to 562.483.8498

**How to order your custom size screen**

1. Fill this form completely and submit it to us, email or fax
2. Elite Sales Representative will contact you for Lead Time and Cost
3. Elite Screens requires an Official Non-Cancelable Purchase Order from reseller/distributor
4. Elite Screens requires 100% payment from end-user
5. Estimate Delivery of your screen is within 60-90 days from date of PO/Full Payment

To be completed by an Elite Screens Sales Rep.

<b>ETA</b>	<b>Cost Quoted</b>	<b>Elite Sales Rep</b>	<b>Date</b>
------------	--------------------	------------------------	-------------

## INTRO:

Normally I concentrate on projectors for my "reviews". However, I am always open to checking out other exciting products. Enter the Elite EzFrame fixed frame screen. I was contacted by them a short bit ago and asked if I would take a look at a couple of their screens. "Sure", I replied. This is the first of the two I will be looking at (the other is their Cinetension Electric). Both of these screens are part of the new higher end line from Elite. They are designed to meet the needs of the more demanding consumer, while still maintaining a lower price point for the budget conscious.

I received the box from UPS. The unit they sent was an EzFrame 45"x80" HC White (retail is \$619). The box the screen came in was surprisingly small. I have done my fair-share of screens and never seen such a thin box. It measured about 3.5"x10"x84" or so. Weight was decent; more than one would expect looking at the size of the box. Despite the size, it was very well packed. Once I opened it up, I found 2 cardboard wrapped "square tubes" along each side, and a round, plastic tube down the middle (PVC believe it or not!). The 2 cardboard squares held the frame pieces...1 with the top and bottom, and 1 with the sides. All were wrapped in a padded foam material to protect them. When looking at these, I realized how they made the box so small. The majority of manufacturers ship the screens with the corner brackets installed in each end of the top and bottom. Elite doesn't do this. Rather there is a final small accessory box that they ship in (along with the bolts needed to lock it together). Because of this, the frame pieces are extremely small and the outer box doesn't need to be made to fit the corner pieces, thus saving on shipping. I should also mention the round tube that holds the fabric was quite small. They roll it on a small 3/4" PVC tube and there are no snaps to add thickness (more on that later).

I took everything out and laid it out on the floor. This frame is a nice 2.5" wide, with a beveled edge towards the screen surface (this helps off angle viewing and "shadowboxing". In addition, the frame is covered in a velvet type material, just like the higher end companies offer. This was a very nice surprise considering the price point on these. The frame is a relatively heavy duty machined extruded aluminum so plenty strong enough to support the material and its own weight. Assembly was easy. You simply took the corner braces (which slide into the middle of the frame) and put them onto the top and bottom pieces. Then slide in the sides and you are assembled. There are 2 screws per corner to hold the unit together. One thing that is slick is they screw holes are slotted. This means when one is assembling the unit, they can slide the brackets in and out slightly on each of the joining corners, in order to make sure they line up perfectly. One thing I found strange was that the hangers for wall mounting were on the sides. There was 1 on each side, centered vertically. Though this is plenty strong to hold it, most companies have a top and bottom bracket so it was not something I was used to.



You will notice that there are no snaps. Elite uses a rod tensioning system to secure the fabric. If you look closely, you will see a thin rod on each side of the frame in a groove, and then little "clips" along the frame. To match up to this, the fabric comes with a loop sewn along each side instead of snaps. To assemble, the thin rods are removed and slid through the loops on all 4 sides. I started with one of the sides of the frame, and tucked the rod/material loop into the channel, and then simply rotated the clips to secure. Though the clips are only plastic, all the strength of this system is in the channel, and the clips merely keep the rod from coming out of the channel. Moving on. I then pulled the material on the opposite side. Man this was tricky. The problem is that they make it tight as to make sure there are no wrinkles/waves. The hard part was getting a good grip on the fabric as it is thin. I found I had to start at one end of the fabric rod, and lock it in. Then it made it easier to move along to the other side. After I had the opposing sides done, I did the top and bottom. This was a bit easier since the majority of the stretching was done already. You may be asking "what are the pros/cons of the rod system vs. the snap system". Well the snaps are easier for the installation, and generally since the companies that use them sew a thicker border on, they tend to be very strong, especially if the screen is removed and reinstalled frequently.



The drawback to snaps is that they are hard to get perfect, so sometimes one will find 2 subsequent screws are, say, 1/16" off, and thus a small gapping of the fabric occurs. Most situations like this require a new screen to be sent out. The advantage to the rod system is that it is less expensive to make, and less difficult to have mistakes. In addition, since the fabric is effectively "attached" infinitely along the entire side, there is little chance for gapping.

The Elite EzFrame comes with 2 fabric choices...a HC White and a High Contrast Gray. For testing I requested the HC White (1.2 gain) as my room doesn't typically need a gray screen. The fabric is a very smooth one with little texture. I did notice it was a little on the thin side, which could normally cause light to pass-through, causing light loss. However, they thought of that too. It comes with a black backing on it. This adds both a bit of thickness, as well as greatly reducing any light leakage one might normally get.

### COMMENTS ON PERFORMANCE:

NOTE: I did not bother taking screen shots. Why? Well first, screen shots are only used as a basic idea and unless I did many screens with the same projector, they would tell you nothing. In addition, depending on the projector I used, that would more determine the resulting quality of the screenshots I did get. Essentially the camera can't pickup the slight nuances of different fabrics.



The HC White fabric was surprisingly good. I found that it had a decent reflectivity to it, but didn't suffer too much from hotspotting (which obviously you would expect from a lower gain screen), nor did it have any sparklies or other anomalies to it. Colors were decent as compared to other higher end screens, and about what you'd expect to get for the price. It didn't really suffer from a yellowish tinge as some of the other less expensive screens do. All in all I found it to be a good material for the money. The main negative to the limited material selection is that with only these 2 fabrics to choose from, you have to rely more on the projector and room for the proper setup. Essentially having a smaller material selection takes one "tuning" factor (for a room) out of the equation.

### CONCLUSIONS:

Elite certainly has a good idea here. Good performance, good build quality, and good features in a screen, for a lower price point. The main advantages I see to this unit are obviously the price, but moreover the heavy duty velvet frame and decent quality screen material performance. All in all if you are on a budget and need a good performance screen, the Elite EzFrame should be something to check out. You get a LOT for your money.



# Product Review

CineTension



## INTRO:

In addition to the Elite EzFrame that I was sent, I was also sent Elite's new CineTension electric screen. As with the EzFrame, the CineTension is part of Elite's new higher end line, designed to meet the needs of the more demanding consumer. This is a tab-tensioned design, which the key part of this is the lack of waves/wrinkles. However, this screen is revolutionary from one standpoint...price. The Elite CineTension screen retails for about what most other companies non-tensioned screens sell for. This is a big advantage for those looking for quality performance, but also are still budget conscious.

I received my test unit in a timely fashion. The first thing I noted was the weight...62lbs. Now this is not an overly large screen that I used for testing, but it still weighed a substantial amount. This generally corresponds to a heavier duty unit. The box was about normal size for an electric, 8"x8"x~96". The test unit I had was a 45"x80" as an aside. I opened the outside of the box and low and behold another box! If you have read my reviews you know I love double boxing, especially with this sort of specialized gear. I should mention that in addition to the double boxing, the actual boxes were



thicker than normal (corrugated cardboard, of course); very heavy duty. I continued on opening the boxes. Inside, there was the screen. Surprisingly though it was double boxed, the inside protection was a bit scarce (see pictures). Basically there were 2 end cardboard protectors and then 4 thick foam wraps on the screen. I cannot comment on if this has proven to be sufficient as I don't know. But for a screen this size, compared to how some other companies' internal packing looks, this was potentially a bit light in my opinion. Essentially delivery companies are having a lot of trust put into them to transport these carefully. From my experience, that could be dangerous. Again, it may have proven to work fine for Elite, I just wanted to point that out.

Moving on I took everything out of the box. As I mentioned, the screen had some serious heft to it. It was definitely a larger roller design (likely 3") which tends to be the better type for supporting the fabric weight. Inside the box were a couple small accessory boxes, and a manual. In one box were the control parts. Perhaps the most impressive thing about this model is that though it is already priced well below the competition, they include both IR and RF remotes at no additional charge! This is often a \$250+

option for many companies (just for 1 of them). Because of this, there is no hardwiring that needs to be done. You simply take the main control box, and plug it into the small 3 pin connector on the case. Then that box simply plugs into a standard wall outlet. Piece of cake. The only tricky part of hooking this up was hiding that control box somewhere. The case is big enough to hide it behind, but then you would have to extend it off of the wall a bit.

The other accessory box held the brackets. These were extremely thick aluminum. They allow for both ceiling and wall mount (I chose ceiling for the testing). They are also floating, which means you can slide them back and forth along the top/back channels to line up on your joists/studs...very nice. I hung my brackets onto the ceiling with 2 bolts straight up into the ceiling. I then simply lifted the case and hooked it onto the back channels. This then held it in place. Last, I simply tilted up the case and slid the specialized bolts into the top channel and bracket, tightened them down, and I was done. I should mention I did this all on my own so that is a sign of a good design (although again, it was a smaller size, so please don't try it with the bigger sizes on your own).

I removed the small piece of packing foam that kept the batten from moving, grabbed the control, and dropped the screen. My first impressions were that the motor was about average noise level. The tab-tensioning system was very nicely done...the screen was as flat as could be (which you would expect). All the controls have up, down, and stop positions. This is nice such that if you want to change ratios, or adjust the amount of drop exposed (they have 2 options for that upon ordering), it is simple.



**COMMENTS ON PERFORMANCE:**

The fabric that came with my unit was their High Contrast Gray. This was one of the darkest gray fabrics I have seen to date. I decided to test this with some lights on in the room. On the positive side, the darker gray color was very uniform, and really did well at lowering the black levels and combating the ambient light. The only thing I noticed was that the image wasn't as bright as I would have preferred (mostly due to the projector I was using). But this should be brought up such that if you should choose this screen, please make sure to have a projector with adequate brightness.

There is a slight texture to the material physically, however that really didn't show up when an image was on the screen so not a problem. Overall the image was nice. This screen fabric really will shine for those rooms that have ambient light that is difficult to control. Yet it will still work well in darkened environments, and even help with the perceived contrast. I will mention the viewing angle was very wide as well, so that is good for rooms where the seating is spread across the width of the room.

**CONCLUSIONS:**

If you are shopping for an electric screen on a budget, and really don't want to chance a non-tensioned version, this may just be the screen for you. With lots of accessories, good build quality, and good performance, this Elite CineTension offers a lot of bang for the buck. Thanks!



# Product Review

Elite F80NWH Pull Up Portable Projection Screen - ezCinema Series  
By Clint DeBoer - last modified August 09, 2007

Audioholics Rating Scale	Audioholics Rating Scale Metric	Rating
<ul style="list-style-type: none"><li>• [5 icons] — Excellent</li><li>• [4 icons] — Very Good</li><li>• [3 icons] — Good</li><li>• [2 icons] — Fair</li><li>• [1 icon] — Poor</li></ul>	Build Quality	[4 icons]
	Ergonomics & Usability	[5 icons]
	Ease of Setup/Programming/Integration	[5 icons]
	Features	[5 icons]
	Fit and Finish	[4 icons]

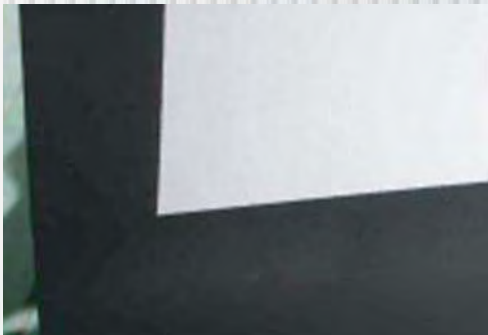
I have recently completed a review of the Home Entertainment projector. This product integrates a DVD player and stereo speakers into a projector and makes for the type of entertainment system that can be pulled out and assembled, at will, in a living room setting. The perfect screen to complement such a system would be durable, portable and equally easy to pull out and set up. Elite Screens ez-Cinema systems match that description perfectly. What makes this such a compelling product, in the complementary ease-of-use and low price point. With a retail price of just \$249 for an 80-inch screen, it is not uncommon to find street pricing under \$200.



## Build Quality

The ez-Cinema system is a very stable screen in terms of the mechanical elements that make up the mechanisms. The case is part of the system - which I like since you can't misplace it

and it doesn't take up additional space (unless you count the depth, which requires the lid to be opened.) The top bar which lifts and secures the weight of the screen is ingenious. Instead of simply anchoring the lift tab to the top of a ridged bar, the ez-Cinema utilizes a sort of anti-tilt bar that distributes the load across the ends of the screen. This seemed to help the screen rise and sink evenly without allowing it to twist and become uneven over time.





Looking at the Matte White screen material itself, it seems durable - and indeed you can wash the surface with a damp cloth, though for most dirt and dust a soft duster will work wonders. The gain is 1.1 and it has a viewing angle of 100 degrees (50 degrees to either side of center, which is wide enough for just about any practical use. The black 1.25-inch fixed masking around the screen looked to be made well and I noticed no tears or inconsistencies on the front of the screen. The rear looked like some glue had dried in a more randomized manner, but it didn't appear to be anything other than cosmetic - in an area where it would never be seen except by nosey reviewers.



The case is durable but lightweight. I didn't feel 100% secure in the twin buckle clasps that adorned the front of the case, locking it closed. A double latch would have been more confidence-inspiring, though the case never once popped open of its own accord. It is possible that larger screens utilize this type of locking mechanism as the online video shows a different style of buckling clasp. When the case is opened the extending height adjustment pole was found locked securely in place behind the screen. The system really does look solid, with parts that aren't likely to wear out or break over a typical lifespan. I especially liked the ability, however slight to tilt the screen one notch position to manually keystone it to fit the projector angle in the event that you have a slightly off-axis alignment.

### Setup and Installation

With fixed screens you have a more detailed procedure of assembly and instructions to follow, any one of which could render the screen lame if not followed perfectly. In contrast, the ez-Cinema setup process is akin to popping open a soda can. Here are the setup steps in a nutshell (a very small nutshell):

- Spin out the stabilizing feet perpendicular to the base to ensure the screen system doesn't topple over when raised up
- Flip up the metal latches and open up the box cover
- Fire up your projector and make sure it is sending a picture that can be visible on the screen during the next few steps
- Remove the support rod
- Insert the square end of the support rod into the support plate located in the middle of the case and adjust the height to where the screen is at the correct height for your projector (ensure the hanging hook is facing forward)
- Lift the screen and place the metal hanger on the support hook.
- Adjust by raising or lowering the vertical support pole as needed - the screen will follow. This is only possible if you can get behind the screen. If not, then make sure you put the screen all the way down before attempting adjustments to the vertical pole (be certain to never let the screen fall without tension.)

## Observations

The ez-Cinema screen lived up to its name during use, it's truly easy to setup, operate and put away when finished. The added benefit of low cost of entry make this a product that is hard to pass up, especially if you are on a budget and want a portable solution. When projecting images on the screen we found that darkening the room somewhat was helpful, especially since the Matte White material only offered a 1.1 gain (not raising the image intensity at all during use). While there is a ~1" side and top mask (with the bottom mask increasing as the screen is raised) light does show up a bit more than on a felt-lined fixed screen. This is to be expected and I did a comparison to show the difference using the same image in the same room with the same lighting:



Looking at the Elite Screens ez-Cinema on the right, you'll see a slightly more noticeable overshoot when the picture is over scanned onto the black 1.25-inch matte. This wasn't detracting in the least, but don't expect to get the same type of light rejection as you would with a fixed-wall felt-lined frame (pictured on the left.)

## Viewing Evaluation

I won't go into too much detail on the evaluation section. Suffice it to say that the screen performed very well and did not detract in the least from standard or even high definition viewing. I noticed no screen flaws and the screen texturing was unnoticeable from any normal seating distance. I felt that reducing the light in the room worked much better on this screen, however that will also have a lot to do with what type of projector you intend to use. If you are going for theatrical movies, try to darken the room and run the projector in it's Cinema mode (lower light output). If you are hosting a sports party, then run your projector full-out and know that this screen will only be as bright as the projector can push it. Here are some images I captured during the review:





## Conclusion

This is a great product. It's impossible to fault it due to its low price and the fact that Elite Screens has so many more options to choose from should you require more features. For example, if you like the idea of lifting the screen up without the need for an adjustable height pole, then the ez-Cinema Plus' integrated "scissors-lift" system is for you at just a tad bit more. My only request would be that Elite Screens would add additional screen material options to these products. I would love to see a 1.3 or 1.4-gain screen in this model line-up, especially for a likely target market of consumers who may not have as much flexibility in reducing light in their viewing rooms. Overall this is a MUST-have product for anyone who would like a portable screen that can be put up quickly - and put away when not in use. For the price, you simply can't beat it.

## Elite Screens F80NWH Projector Screen

MSRP: \$249

Elite Screens Inc. - Elite Screens Europe GmbH - Elite Screens China Ltd.

## About Elite Screens

*Elite Screens Inc. is a California based company that specializes in making quality commercial and home-theater projection screens for the retail and custom install sales channels. Our company began as an innovative venture into the projection market by manufacturing veterans from the AV/IT industry. Elite Screens quickly established itself as an entry level commercial and home theater screen manufacturer. This was accomplished by making a quality product cost effective with a focus on mass-producing screen material, sizes and aspect ratios that were most commonly preferred by AV customers in general. We avoided custom made products in favor of uniformity that would match the mainstream demographic while including extra features that are not usually included by other manufacturers. We stand behind our customer satisfaction and are so confident in the quality of our product that we offer a 2-year manufacturer's warranty over the industry's standard 1-year warranty.*

## The Score Card

The scoring below is based on each piece of equipment doing the duty it is designed for. The numbers are weighed heavily with respect to the individual cost of each unit, thus giving a rating roughly equal to:

Performance — Price Factor/Value = Rating

Audioholics.com note: The ratings indicated below are based on subjective listening and objective testing of the product in question. The rating scale is based on performance/value ratio. If you notice better performing products in future reviews that have lower numbers in certain areas, be aware that the value factor is most likely the culprit. Other Audioholics reviewers may rate products solely based on performance, and each reviewer has his/her own system for ratings.

Audioholics Rating Scale

# Product Review

80" Diagonal Floor Rising Electric Projection Screen  
By Mike Rollet / [projectorreviews.com](http://projectorreviews.com)

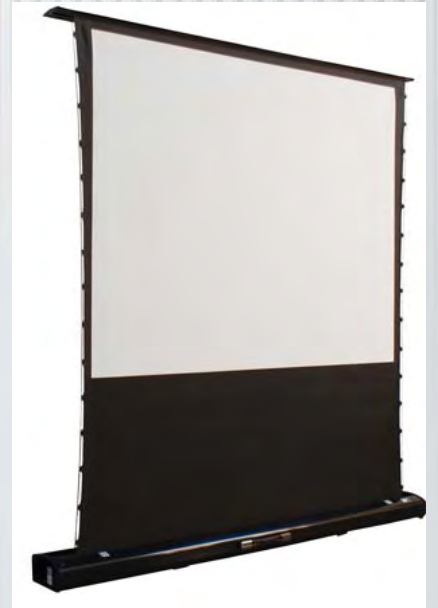
## Elite Screens Kestrel 80" Diagonal Floor Rising Electric Projection Screen: Overview

By Mike Rollet, June, 2010

Elite Screens has developed a reputation for providing low-cost solutions for a multitude of projection screen needs. This includes manual and electric pull-down screens of a variety of shapes and sizes, as well as fixed frame, whiteboard and portable screens. Not stopping there, Elite Screens determined that there are conference room and home theater applications where a ceiling or wall-mounted screen is not practical. The result was the creation of a new group of electric floor-rising screens, starting with the Kestrel screen series.

Available in sizes from 72" to 103" diagonal (16:9 or 4:3 format), the Kestrel uses Elite's CineWhite screen material rated at a gain of 1.1. The Kestrel has a variety of control options available and comes with everything you need to take advantage of those options. In addition to the usual simple IR remote, the Kestrel also comes with an RF remote and an IR learning universal remote that allows you to control 7 other components in addition to the Kestrel. Our review unit was a special 80" diameter model, which is not one of the standard models, so the specifications listed below apply to the 84" model.

Elite is known as a price vs. performance leader in the industry and the Kestrel is yet another product that fits into that category.



## Elite Screens Kestrel 80" Diagonal Floor Rising Electric Projection Screen: Highlights

- Controllable via IR (direct line-of-sight) or RF (up to 100')
- Includes IR and RF remotes and a universal learning IR remote that can control up to 8 devices
- Built-in 5-12V screen trigger to sync screen open/close with projector on/off
- Tensioned screen (available for 84" diagonal and higher) helps to eliminate "waves" in screen material

## Elite Screens Kestrel 80" Diagonal Floor Rising Electric Projection Screen: Specifications

Street Price: \$1141 (84" 16:9 model)

Available screen sizes: 72" – 102" diagonal

Black drop (below screen – 84" model): 32"

Available screen aspect ratios: 4:3, 16:9 and 2.35:1

Screen Gain: 1.1

Case Dimensions (84" model): 84.6"W x 4.45"H x 7.87"D

Weight (84" model): 52.6 lbs.

## Elite Screens Kestrel 80" Diagonal Floor Rising Electric Projection Screen: Physical Tour

### Appearance

The Elite Screen Kestrel is housed in an attractive gloss black metal case. It has a substantial handle that is perfectly placed in the center so there is an equal distribution of weight on each side of the handle. This is critical because the Kestrel, being long, narrow and weighing in at over 50 lbs., is not particularly easy to move. Fortunately, unless the weight is a problem, the handle makes it easy to carry the Kestrel from one location to another. The handle is also on the front edge of the screen case, so when it's placed in position, you know the screen surface will be facing in toward the handle.

Once positioned, there is a plastic door on the left end of the screen case that is opened to reveal the 6' power cord, which is coiled up inside. Also, in the compartment is an RJ-45 jack, which, when connected via CAT5 cable, allows you to extend the IR receiver, connect to a wallbox switch or activate the screen via a 5-12V trigger. On the top of the screen case, also at the left end, is a master power switch and below that, an IR receiving eye.



## Elite Screens Kestrel - Remote Controls

Normally, we're just talking about a single remote control for the product being reviewed. However, in the case of the Kestrel, there are a number of included options to raise and lower the screen. First, there are two identical-looking remotes to control the screen. One works via IR (infrared requiring a line-of-sight between the remote and the screen) and the other works via RF (radio frequency which works through walls and a greater distances). These remotes have buttons to raise, lower and stop the screen at any height. Also provided is a universal IR remote that allows the user to control not only the screen, but seven other components as well. This remote has an LCD screen and glow-in-the-dark buttons and can learn commands from remotes for components that are not in its built-in database of commands. If that's not enough, a wallbox-mounted remote pad is also included. By running a CAT5 cable from the wallbox to the RJ45 jack on the screen, the user now has a wall-mounted solution to control the screen.



Not really a remote control per se, but also included in the package, are RJ45 connectors to allow a 5-12V screen trigger to activate the screen and an IR eye extension that allows you to use an IR remote with the Kestrel, even if the base is hidden.

## Operation

Once it's set in place and plugged in, the Elite Screens Kestrel rises smoothly into position when the "Up" button is pushed. The mechanism uses scissors-style (think car tire jack) steel parts to raise and lower the screen, which is unrolled from a tube inside the case. The top cover of the case has the screen attached to it and the scissors raise it into place. Operation is fairly quiet and the screen rises to its full height in less than 30 seconds. The screen can be stopped at any point during the raising operation. If opened fully, there is a 32" black drop below the screen surface. This puts the screen at the proper height for viewing when seated.

It should be noted that the drive motor has an overheat protection sensor. If the screen is consecutively raised and lowered within a 3-4 minute period, the motor will automatically shut-off to prevent the motor from overheating. If this happens, the user must allow 30 minutes cool-down time before resuming operation.

## Gain

The Kestrel's CineWhite screen is listed with a gain of 1.1, which is typical for a matte white screen. I compared it with my Carada Brilliant White screen, which has a listed gain of 1.4, but has been measured closer to 1.3. Taking readings of a 100 IRE (white) screen on both, the CineWhite material came in at about 1.12, which puts it right at its rating.

## Color Accuracy

I then measured a 100 IRE (white) window both from the projector and the screen for the balance of red, green and blue components. The Kestrel displayed an increase in blue (not unusual for many white matte screens) of about 3%. This is not excessive and a full screen white field did not have any blue tinge to it in the projector's THX mode. This shift toward blue was slightly more noticeable using one of the projector's brighter settings, which tend to overemphasize blue anyway. By comparison, my Carada screen (which is one of the more neutral ones out there) actually has a reduction in blue of about 1%.

Overall, the slight blue shift of the Elite Kestrel can easily be accounted for during calibration, such that the resulting image will look no different than it does on the Carada.

**Tensioning**

The screen uses the cord-type tensioners normally found in motorized wall screens. These cords are attached via loops at various points along the screen's height to keep horizontal tension on the screens, thus minimizing any distracting "waves" in the screen surface. While our test unit still had a few small waves along the top edge of the screen, it wasn't noticeable in normal viewing and will likely tend to smooth out further the longer the screen remains fully open. I also saw one of the non-tensioned Kestrels and it had some noticeable (albeit small) waves in the screen surface. For that reason, I would highly recommend paying the extra money for the tensioned version, especially if the screen is going to be used for a home theater.

**Uniformity and Overall Image Quality**

Placing the Kestrel in front of my wall-mounted Carada Brilliant White screen for comparison, I fired up my Epson 8500UB and projected a full screen image. The Kestrel did a fine job with a variety of Blu-ray material, both movies and test disks. The CineWhite screen material had a very natural appearance and under normal viewing the slight leaning toward blue was not noticeable. Overall, the Kestrel screen did not noticeably appear to favor any particular color. There was no noticeable grain or other visible indication of the screen surface and the few aforementioned waves on the top right edge of the screen surface were a non-factor.

The Kestrel displayed a bright, clean image from any normal viewing distance. As you would expect from what is essentially a neutral gain screen, there is no hot-spotting and the viewing angle was quite wide. I'm not sure you'd want to watch it at the extremes of its claimed 160 degree viewing angle, but it's just fine at the normal limits of 120 degrees.



Let's face it, most of us don't have the space for a dedicated home theatre room, where a giant screen can be installed permanently on the wall. Even if you do have the space, it's rather unlikely for your significant other to agree to a permanent screen. So how can you recreate the movie theatre experience at home? The solution is to get yourself a manual roll-up or an electric screen. These screens are simple to install, can be placed in a living room or a basement room and neatly roll out of sight when not in use. And if you think that you can't afford an electric screen, think again. Of course there are companies offering electric screens that cost thousands of dollars. But there are also a number of well respected companies that offer very reasonably priced electric screens.

One of these companies is Elite Screens based out of California. Its extensive line-up of home and commercial projection screens includes a wide variety of electric, manual roll-up and fixed frame screens with a broad array of sizes, formats and materials. The Elite Screens' Home2 series represents a line-up of attractively priced electric screens ranging from a conservative 75-inch model all the way up to a gargantuan 180-inch model.

The topic of this review is the Elite Screens Home2 HOME90IWH2 electric screen which retails for a reasonable \$825 CAD. This is a 90-inch, 16:9 ratio screen which comes in a compact, white aluminium casing. The casing measures roughly 87.75 x 3.5 x 3.5 inches. The screen offers a 160 degree viewing angle and has a gain of 1.1. Gain is a measure of how reflective the screen material is, with 1.0 and 1.1 being popular choices for most home theatre applications. The Home2 series uses a MaxWhite-Fiberglass multi-layer material with a black backing to eliminate light penetration for superior image reproduction. The screen is surrounded by a black mask measuring 1.5 inches on the sides and the bottom, and 4 inches on the top. This black mask is intended to enhance the perceived brightness of the image on the screen. For rooms with higher ceilings, Elite Screens offers models that have a 30 inch mask at the top. Both the 4 and the 30 inch mask models have a vertical limit switch which allows the user to customize how far the screen drops down. The bottom of the screen has a black aluminium bar which keeps the screen flat when lowered. If you plan to place speakers behind the screen, an acoustically transparent version of the screen can be ordered from Elite Screens. Last but not least, a 12 volt trigger will automatically drop or rise the screen when connected to a projector that has a 12 volt trigger output.



Every Home2 screen comes supplied with two remote controllers, one infrared (IR) and one radio frequency (RF). A wired wall switch is included as well. Both remotes and the wall switch have the same three buttons: up, down and stop. Inside the box you will also find wall/ceiling mounting brackets, a bracket wrench, wall screws and even a bubble level. The provided manual could be improved with larger installation diagrams and clearer instructions.

Installation of the screen casing on my ceiling took about 20 minutes from start to finish, with a helping hand from my father (whom I had to trick into coming over for lunch so that he could lend me a hand). The mounting brackets and hardware fit together with ease which made for a simple and trouble-free installation. We mounted the screen about 2 feet away from the back wall so that in the near future I'll be able place a plasma TV on the same wall and the screen will roll out in front of it. The white casing blended well with the ceiling, despite the black end-caps, and made for an elegant presentation.



Then came the really fun part - I walked over to my media cabinet and pulled out a few DVD and Blu-ray discs. The picture was provided by a Pioneer Elite BDP-95FD Blu-ray player and an Epson PowerLite Home Cinema 1080 UB, an LCD-based projector (also reviewed in this issue). The vast majority of my viewing was done in a completely dark basement room.

With the push of a button on the remote, the screen lowered out of the casing in about 12 seconds. The tubular motor provided a relatively quiet and butter smooth operation. The aluminium bar at the bottom of the screen supplied the right tension to make the screen perfectly flat when lowered. My only comment about the operation of the screen is that when it retracts, the aluminium bar bangs against the casing.

Although I was eager to see what a Blu-ray disc would look like on the screen, I began with a few standard DVDs. If you read CANADA HiFi regularly you shouldn't be surprised that the first movie to hit the screen was Star Wars III: Revenge of the Sith. My room was instantly transformed into a galactic battlefield with starships flying in all directions. I was completely satisfied with the combination of the on-screen contrast ratio and the black level. The details in both dark and light parts of the picture were very respectable. The backdrop of space was adequately black and the stars added a good depth to the picture. During brightly lit scenes, the picture achieved a comfortable brightness on the screen and I did not notice any hotspotting on the screen during my tests.



But enough of this ol' standard definition stuff. Next I tried out Flyboys on Blu-ray disc. Not surprisingly, the first thing that I noticed was the improved picture resolution. This was a 1080p picture at its best - I kept thinking to myself. All of the resolution that I'm used to from this disc on our reference 1080p Pioneer plasma was cleanly displayed on the 90-inch screen. The improvement over a standard 480p picture was really tremendous. While watching scenes from The Golden Compass, the contrast and black level were excellent. I kept my eyes peeled for colour shifts on the screen but did not notice any - the colours quite natural and properly saturated on the screen. Scenes for a few other discs confirmed my initial findings.

For my final test, I turned the lights on in the room and switched the projector to its brightest picture mode. Even in the bright room, the image on the screen was of respectable enough quality. When would I ever watch the projector with the lights on? A few buddies over for a hockey game sounds like a great idea!

All things considered, I couldn't be more satisfied with an electric screen that retails for \$825 CAD. If you're looking to add a cinema feel to your movie watching, a great projection screen is one of the key components that will allow you to do so. In fact, based on its performance and smooth operation, the Elite Screens Home2 HOME90IWH2 was chosen as the reference screen for future projector and screen reviews in the CANADA HiFi lab. Need I say more?

**Manufacturer:**

Elite Screens Inc.  
www.elitescreens.com  
877-511-1211

**Price:**

\$1075.00 (Canadian MSRP)

**Elite Screens Home Series Electric Screen 90IWH2**

- Screen size: 94 inches
- Ratio: 16:9 widescreen
- Motor type: tube motor
- Screen gain: 1.1
- Black border: 1-3/16 inch
- Viewing angle: 160 degrees
- IR / RF remote control / 12V trigger
- MaxWhite FiberGlass Screen Material
- Two floating brackets for wall or ceiling mounting
- Viewing size (WxH): 84 x 53 inches
- Screen dimensions (WxHxD): 91 x 58 x 4 inches
- Screen housing dimensions (WxHxD): 90 x 3-3/4 x 3-3/4 inches
- Weight: 40 lbs



The following is part of full review from ProjectorCentral.com. Elite only present part of this full review related to Elite Screens. For a full article, please visit [www.ProjectorCentral.com](http://www.ProjectorCentral.com) – Elite Screens

Bill Livolsi, May 2, 2008 ProjectorCentral.com

## Elite EZ-Frame White

Elite is a well known name in screens, with a reputation for quality products and reasonable prices. Our test samples included two 100" fixed frame screens, with one in white and one in gray. They came in smaller boxes than expected - it turns out that the long horizontal crossbar is actually two pieces which join in the middle. Unpacking was simple, so we started the clock and got to work.

**Construction.** Our first screen of the day, the first Elite took 52 minutes for one person working alone to assemble completely, with most of that time being spent on attaching the screen to the frame. The Elite screens attach to their frames with a series of plastic tabs, as shown below, which must be inserted by hand. These are evenly spaced around the perimeter, with extra emphasis on the corners.

### The Elite screen attachment system.

The instructions are very clear, and there's no need to worry about getting lost or confused if you actually read them. If you are handy with tools or have assembled a screen before, you can probably knock 15 to 20 minutes off of that time - our second Elite took only 37 minutes. The Elite screen was more difficult to assemble, but this one-time effort pays off in terms of build quality.



**Build Quality/Screen Tension.** In exchange for your hard work, you get a screen that is exceptionally well built, with an evenly tensioned smooth surface. There was not a wrinkle or flaw to be seen anywhere on the screen's surface. Aesthetically, the seam in the horizontal frame bars where the two pieces join is less than ideal, and the 2.44" velvet border looks too thin for a screen of this size, but these are minor complaints. Overall, the Elite EZ-Frame looks and feels like a solidly built piece of equipment.



**Performance.** With the Elite white screen placed next to the Stewart Studiotek 130, two things become immediately apparent. First, the Elite White does not reflect as much light as the Studiotek, which measured 17% brighter. Second, the Elite White is slightly colder than the Studiotek 130. This can be corrected by altering the color balance of your projector, but there is a good chance that one would not even notice the shift without doing a side-by-side test. In the screen shot below, you can see the difference in brightness, and also the color shift--the sky on the left is bluer, and the surface of the building is a darker shade.

Now, keep in mind that the Stewart Studiotek 130 is about four times the price of the Elite White. When putting the Elite up against another screen in the same price range, it competes quite well.

**Overall.** The Elite EZ-Frame White is a great value.

Color balance is among the best in the group, and it performs fairly well against the Studiotek in terms of brightness for one-fourth the price. It's 2.44" wide frame is adequate for a 100" screen, but a 3.0" or 3.25" width would be ideal. However, Elite's 100" 16:9 EZ-Frame sells for roughly \$420 through Elite's dealers, so you can't beat it for value.



## Elite EZ-Frame Gray

The Elite EZ-Frame Gray is structurally identical to the EZ-Frame White, so the Construction and Build Quality sections will be skipped. Elite's Gray screen will marginally enhance contrast on projectors that suffer from weak blacks or low contrast ratios (for high contrast projectors, Elite recommends the White). However, the image is not as bright. Notice that the Elite Gray screen, shown on the right, is darker than the Elite White on the left.

### Performance

The Elite Gray screen was tested against the Stewart Grayhawk RS, a gray screen designed to enhance black levels and color saturation. Against this screen, the Elite Gray showed similar results as the comparison between the Elite White and the Studiotek - the Gray was not quite as bright, and slightly colder, than the Grayhawk. This time, the difference in brightness was 22%, and the color shift towards blue was slightly more pronounced.

### Overall.

Elite EZ-Frame Gray can be had for the same \$420 as the EZ-Frame White. The bottom line here is that the Gray fabric will knock brightness down significantly, and whites will appear less brilliant while blacks will appear more solid. If you have a very bright projector that needs a contrast boost, the Elite Gray has what you need.

### Conclusions

The bottom line ... you don't need to spend thousands of dollars for a top of the line screen to get great performance for the money.

If you've got an unlimited budget and you are putting in a high performance home theater, the pricier screens do deliver better pictures than you get with the budget alternatives. But as you can see from the screen shots in this review, the differences are not as dramatic as you might imagine. These days, you can get a very impressive, professional looking projection screen for a fraction of the price rich folks pay for their high-end solutions.





## ezFrame Fixed Frame AcousticPro1080 Projector Screen Overview

Back last February ('08) we reviewed Elite's Home2 Series Fixed Screen with Acoustic white surface. We gave that screen a Special Interest Award, rather than our normal Hot Product Award. This was due to certain limitations of the screen, that limited the number of potential users. That particular weakness was the lack of a dark backing resulting in too much light passing through the acoustic screen material, and, when a light surfaced wall is behind the screen, light reflected back through the screen, washing out the image. The screen did work well enough, however when the wall behind the screen is extremely dark. With white or off white walls, that screen's image was effectively ruined.

For those limitations, Elite has been on my case, for many months, to review their newer acoustic screen surface. This new surface is called AcousticPro1080 and it comes with a black mesh backing, which solves the problem mentioned above. It is definitely suitable for use with a light colored wall/surface behind the screen, as well, of course, as working well with a dark surface behind the screen.

For this review Elite provided this fixed frame screen in an 84 inch diagonal, 16:9 aspect ratio version. The Elite part number for this size is: R84WH1-A1080. Realizing that 84 inch diagonal is a smaller size than most would buy (but very convenient for reviewing), below I list not only the info on the test screen size, but MSRP for several larger screen sizes as well. Elite offers this screen in huge sizes if needed, even 150 inch and larger. You'll get the idea. Dealers generally sell Elite screens with good discounts.

The frame itself is a nicely beveled light absorbing black finish, about 2.5 inches thick. There are thicker screen frames, but this amount of border is enough to look good.

Overall, this Elite screen performed very well. Timing is such, that my main theater (which had off-white walls - unfortunately, until last week), was finally painted to a dark rust color. I had the opportunity to work with this Elite Screen with both light and dark wall color. It did a nice job, in both cases.

As I have mentioned in previous screen reviews, we are not really setup to measure and provide hard objective numbers (gain, acoustic properties, viewing cone, etc. This review is therefore subjective on these topics.

To observe the acoustic properties, this screen was placed in my theater, below my Stewart Firehawk G3. Since I do not have a center speaker that would place behind the screen surface, I simply slid my two large front speakers a little closer together, and propped the screen frame up against the outer sides of each, allowing all the sound from the speakers to pass through the Elite screen surface. Putting a friend to work, I had him bring the top of the screen forward and down, moving it out of the way of the speakers, to see what differences/losses I could detect, with the screen in front of the speakers.

The photo below, of the setup was taken before the speakers were moved closer together:



Please note, I'm an old "audiophile" with a pair of what were, pretty state of the art conventional speakers from the early '70s (IMFs), and I still take my audio seriously. I watched/listened to several Blu-ray based concerts with this screen.

On the other hand, I'm definitely "an old guy" relative to the ability to hear high frequencies. As such I can't comment on the amount of loss of extremely high frequencies as I doubt I can still hear above 13K or 14K (in the good old days, I could easily hear 19K). Those of you younger than I may well detect more loss of highs than I can. That said, Elite claims only a very modest loss of high frequencies - 2db at 20K, which if dead on, I would consider excellent.

The image immediately below of James bond (Casino Royale), projected onto the Elite screen with a calibrated Sanyo PLV-Z3000 projector. Looks good here, looked even better "live".





## Elite Fixed AcousticPro1080 Screen Highlights

- Black mesh backing allows screen to perform well, even mounted in front of a white or near white surfaced wall
- Very limited loss of sound quality (high frequencies)
- Texture is more coarse than some other acoustic screen surfaces
- Elite Screens MSRP (list) prices seem to be well below the low street selling prices of other name brands like Da-lite and Draper. A quick comparison finds that Da-lite acoustic screens, for example, can sell for up to 50% more than the Elite with AcousticPro1080 surface
- Very slight color shift toward yellow, (very correctable)

## Elite AcousticPro1080 Screen Specifications

**Technology:** Woven white surface acoustic material, 0.3mm perforations, square (but off-angle) pattern, black mesh backing

**Gain:** 1.0

**Acoustic Properties:** Maximum loss of 2db @ 20Khz

**Warranty:** 2 years parts and labor

## Special Features

Unlike many other manufacturers, the Elite's long side frame pieces come in two pieces each, instead of single pieces. This allows the entire screen to be packed into a much smaller box, one that avoids the high extra shipping costs normally associated with fixed frame screens, due to their size requiring significant "oversized" box shipping charges.

## Assembling the ezFrame AcousticPro1080 fixed wall screen

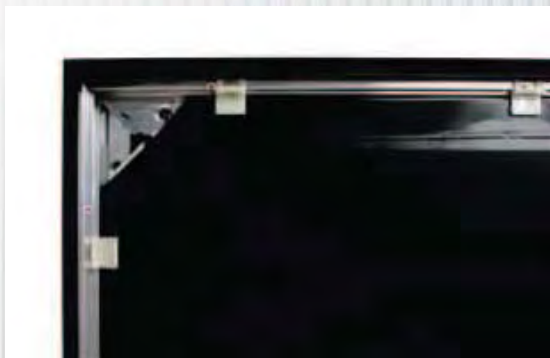
It sure seems simple enough. I, however, am not one who looks forward to doing such things, so, of course, I convinced Elite to deliver the screen, along with someone who would assemble it in my presence. This works because Elite Screens is located less than an hour from my location.

Basically it took about 15 minutes for the screen to be assembled. Dave Rodgers from Elite did all the work, while I watched. First step after unboxing the components (a nice small box), was to connect the pieces of the frame. Remember, Elite instead of using single long pieces for the frame, breaks the long sections down into two pieces.

After the frame was assembled, the frame was placed face down on my floor. The screen surface and the black acoustic cloth were laid on top, and fastened into place by several dozen little white clips. The large number of clips is to insure even tension so that the screen surface remains perfectly flat.

It really was that simple. If I had done it, I would have run out of patience and probably tried to get everything to stay in place, using a minimum of clips, and then wondered why the screen ended up with waves in it. Dave does good work, the screen is very flat and taut.

Bottom line: Putting the screen together should not be a challenge for those willing to try.



## Elite AcousticPro1080 fixed screen Image Properties

As mentioned in the overview, I did notice a slight shift towards a yellow/gold with the screen, and you can see the difference (though exaggerated) between it and the very neutral Stewart Firehawk G3, in the photo of the two screens with no image on them, back near the top of this page. When viewing normal material, however, it really is far

more difficult to spot any color shift compared to my Firehawk G3.



Immediately below, is a photo of James Bond, from Casino Royale. You can see the narrow top part of the image is on the Firehawk, the lower part, on the Elite. Pretty hard to spot the color shift. You'll also notice some other differences, varying brightness, and contrast in the image. That however is due to the Firehawk being a high contrast gray surface, compared to a basic white surface.



Another good "split image" shot is this one of some football "signage" from an HDTV source. It's obvious that the two surfaces are very close:



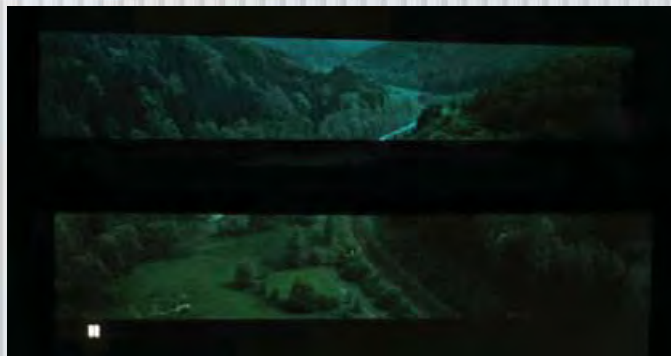
The screen lived up to its claimed wide viewing angle. There was no hotspotting, and brightness appears uniform even from wider viewing angles than anyone would want normally to sit at.

I was concerned about the texture of the screen surface, compared to the almost totally smooth and uniform Firehawk, or for that matter, my Carada Brilliant White and my Elite HC gray. Despite that, I didn't notice the texture during normal viewing. I'm sure it's enough to be detectable when looking for it, but I do believe this surface will satisfy all but the most critical. There are finer micro-perf screens out there, for those who may be concerned with this Elite surface. Note, the patterning of the material is finer, and a different "improved" pattern for this new surface, which Elite



says is designed especially to work with 1080 projectors.

Here's one more split screen image with the Firehawk on top and this Elite AcousticPro1080 screen on the bottom. This is the very dark train scene from Casino Royale:



## Acoustic Performance

As noted above, my hearing isn't what it was 30 years ago when managing high end audio stores. With that as a given, I spent hours listening to music videos, CD's and movies using this Elite ezFrame screen. At the most, I could only notice a very slight loss of sparkle on the high end, when having someone move the screen quickly into the path of the sound. I really enjoyed some superb performances with the screen in place, including the Moody Blues in concert (Blu-ray), and music videos on MTV's Palladia HD channel, as well as other music videos.

For typical movie watching (action oriented, talking, etc.), certainly this screen seems more than transparent enough. Any loss of overall gain (volume) is negligible, almost certainly no more than 2db, and probably a lot less than that.

The only question, one I can't answer without test equipment, is how much loss there actually is on the extreme high end



(15K to 20K hertz) where I can no longer hear, but many of you younger folks can. For those not "tuned" into audio, we are talking extreme high frequencies - upper harmonics of vocal and musical instruments. This frequency range probably accounts for well less than 1% of audio content but does contribute to the sound quality for those with good hearing. According to Elite, they only lose 2db at the very top, and that seems to be a very reasonable (slight amount). In fact many (very good) speakers roll off the high end more than that.

## Elite Screens AcousticPro1080 Projector Screen - The Bottom Line

As I see it there are four major aspects to this screens performance: Image, Sound transparency, setup and physical attributes, and finally price. Let's run through them.

### Image:

This Elite seems to be a real improvement over the earlier screen surface I reviewed. The black mesh backing and new surface solve the problem of reflected light, even with white walls. There is, as I pointed out, that very slight color shift, but as you can see from the images provided, it is barely detectable, even comparing side by side with the Firehawk. The shift is probably well within the normal differences from one movie to the next in color balance. It is subtle and should be easy to correct for, if you so choose.

Elite claims a gain of 1.0. That seems very believable.

### Sound Transparency

No significant acoustic problems are audible to my ears, although as mentioned, I can no longer hear the highest audible frequencies. Loss of volume, is definitely negligible, just enough to be noticed when the screen is quickly moved out of the sound path.

While listening to a favorite music video, I did find the high end a touch muted, compared to when the screen was out of the way, but it is only noticeable when quickly switched. No way I could walk into the room and tell by sound if the AcousticPro1080 was in front of the speakers or not.

### Setup and Operation

As I stated earlier, the setup really is straightforward - (easy to say, when I was just watching it being done). 15 minutes should do it, once the parts are out of the box. Once assembled, the surface appears nice and taut, comparable, no, actually a bit stiffer than that of the Carada Brilliant White surface I use as my primary screen in the testing room. There's not a sign, anywhere, of a wave or wrinkle in the screen surface.

The screen surface is easily cleanable, with a water moistened cotton cloth.(Nice!)

### Pricing

Elite traditionally sells their screens for less than the older, well established names like Da-Lite and Draper. That is just as true for this acoustic screen as with their other surfaces. A quick search online shows the 106 inch version of this screen selling typically for well under \$700. By comparison, names like Da-lite will cost you about \$1000 or more for their acoustic solutions in a fixed frame.





## In Conclusion:

It certainly looks like Elite has a very good product in this fixed frame screen with their AcousticPro1080 surface with black mesh material backing. While I am no expert on acoustic screen surfaces (that's the truth), this screen seems to perform very nicely as a video screen, while allowing high quality sound to pass through it from a center channel speaker, or even all three front speakers. There are definitely other acoustic screens with a finer texture to the screen surface, but I really didn't see any issue, from normal seating distances, while viewing at a distance of just beyond nine feet - a reasonable distance for smaller screens such as this 84 inch or maybe even a much larger 106 inches.

When everything is considered, pricing becomes an important aspect in determining value, and this Elite is very strong on pricing. While the pricing is still significantly more than non-acoustic screens from elite, most sizes of this screen sell for about the same price as non-acoustic screens from bigger "old-time" brands, and far less than those companies charge for their acoustic screens.

Add it all up, and I do believe Elite has an excellent overall value proposition. For that reason, it earns our Hot Product Award.

## Elite Screens AcousticPro1080 Projector Screen: Pros, Cons, and Typical Capabilities

### Elite Screens AcousticPro1080 Projector Screen: Pros

- Very low price compared to most major brands
- Easy to assemble
- Nice appearance with beveled black velvet frame
- Any loss of sound quality passing through the screen seems very minimal
- Good color accuracy
- Two year warranty

### Elite Screens AcousticPro1080 Projector Screen: Cons

- Screen texture is more visible than on some more expensive micro-perf acoustic screens (although I did not notice during normal viewing)
- Some might like a larger frame (the Elite is about 2.5 inches, larger ones from other brands often are in the 3.5 to 4 inch thick range.)

**Elite Response: Elite Screens will also carry the AcousticPro1080 in the Elite PrimeVision Fixed Frame Series which has a 3.5" width frame in all the standard sizes.**

- Less choices of screen sizes than some other brands

**Elite response: At the time of the review the AcousticPro1080 larger sizes were not officially confirmed to be available, but will now be available up to 200" diagonal (16:9) and in the 2.35:1 aspect ratio in diagonal sizes 85"-200".**

### Elite Screens AcousticPro1080 Projector Screen: Typical Capabilities

- Offers screens in most common sizes (they do make custom sizes but we did not investigate)
- Very limited loss of audible gain (volume) and high frequencies

# Product Review

Elite StarBright™ 7 High-Gain Projection Screen  
Bill Livolsi

Traditionally, if one needed to use a projector in a room with a lot of light, the answer was to get a brighter projector. But what if one could instead get a brighter screen? Elite's StarBright7 is a new 7.0 gain screen material that helps bring lower lumen output projectors into the light of day.

The StarBright7 works by taking the light from your projector and reflecting it back at a narrower angle. As a result, the StarBright7 gives you a significantly brighter picture if you're sitting in the "sweet spot" where all the reflected light is falling. In conference rooms, houses of worship, and lecture halls where the audience is sitting toward the center of the screen, the StarBright7 provides an attractive, affordable alternative to a super bright projector. A 103" 16:9 diagonal StarBright7 can be had for \$1739.

## Overview

A high-gain screen like the StarBright7 directs more light back towards the direction of the projector, and diffuses less light out to the sides of the screen. As a result, if you are sitting at or near the center of the screen and viewing it head on, the projected image appears far brighter than it would on a 1.0 gain screen. While the StarBright7 is spec'd at 7.0 gain, we measured an actual boost of 7.4 gain. So a 1,000 lumen projector on the StarBright7 appears as bright as a 7,400 lumen projector would on a 1.0-gain screen.

In fact, the StarBright7 is so bright that one may occasionally notice a bit of glare right at the point where the angle of incidence equals the angle of reflection. This is most noticeable when viewing from a close distance as it would be in home theater, but it is not a concern when sitting farther from the screen as most audiences would be in applications where this screen is most likely to be deployed.

Every screen has what's called a half-gain angle, which is the viewing angle at which the screen image appears half as bright as it does at zero degrees viewing axis. The StarBright7 has a half-gain angle of 12 degrees, giving you a 24-degree cone in which the audience will perceive the image at its optimum brightness. Outside of that cone, the image will still be visible, though much dimmer. Outside of a 30-degree area in each direction (or a 60-degree cone), the image becomes much harder to see. For best results, you'll want to plan for as much of your audience as possible to be sitting within an angle not to exceed 30 degrees from center.

The StarBright7 has a visible texture that is noticeable when watching high-definition film or video. In practice, it can make moving images look grainy or artificial. Still images are not affected by this artifact, so if you are planning to use the StarBright7 for presentations or static digital signage, this is a non-issue.

Finally, our sample screen has some horizontal streaking on its surface, perhaps from the manufacturing process. It is very subtle and not easily noticed - in a way, making it similar to LCD vertical banding of years past. And just like the more subtle occurrences of vertical banding, if you're not actively searching for it, you probably won't see it. Like the texturing mentioned above, this is only really noticeable with motion video/film material since it creates a subtle fixed pattern in a moving image. For anyone planning to use the screen for static image display, this becomes a non-issue.

## Conclusion

The Elite StarBright7 is a great presentation screen for rooms in which ambient light demands a brighter image, and where audiences are sitting relatively close to the center viewing axis. While Elite Screens suggests home theater usage for this fabric, we do not feel that this is the StarBright7's best application. The limitations related to hotspotting, graininess and streaking are most apparent only with film/video material and a relatively close viewing distance.

With any other type of static display, from spreadsheets to hymn lyrics, concerns about subtle graininess and horizontal streaking don't apply. For this type of usage, the audience viewing angle is the primary consideration. This screen will perform at its best in rooms or lecture halls that are relatively long and narrow, and becomes less effective if the audience is dispersed at a wide angle to the stage or podium.

In the right setting and with the right application, the StarBright7 delivers an extraordinarily brilliant, vibrant picture. In those installations where it can be deployed to its maximum advantage, it is a cost-effective alternative to a very high lumen projector.



## Elite Screens Response

Thanks for the review. This screen was designed mainly in Public Section like Church, Large Conference Room with lots of ambient ligh. Not realy for home cinema in the dark room. but it certainly can work in Living Room with lots of light to watch a 100" picture. Elite Screens thinks, people can not really tell the difference if you are using a 60000:1 contrast ratio projector shoot on a standard matte white screen vs. "Home Cinema Screen". Instead, there is no one home cinema projector today can display nice picure when light is on. and this is something Elite Screens think we need for this industry. That is the StarBright 7 coming from. Yes. Light-On Home Cinema.... Thanks for the review, Elite Screens continue work on new screen material & quality design at the best afford price for all applications.

Jeff  
Elite Screens Inc.

# Product Review

The Bigger Picture (Adrienne Maxwell)  
Evaluation of the HOME2 (Home75IWH2) Projection Screen

Home Theater Magazine,  
March 2008

Home Theater Magazine, March 2008. The Bigger Picture (Adrienne Maxwell) Evaluation of the HOME2 (Home75IWH2) projection screen

## The Bigger Picture

By Adrienne Maxwell • April, 2008

Tips for selecting and installing a front-projection screen.

What's keeping you from taking the front-projection plunge? Is it a belief that projection systems are still only for the rich and famous, consisting of \$15,000 projectors, movie-theater-sized screens, and elaborate masking systems, controlled by advanced touchpanels? The entry-level projector roundup on page 38 of this issue is proof that there's a 1080p projector to suit almost any budget, and the same is true for theater screens.



With so many options out there, you don't even know how to begin to select the right projection screen. That's where we come in, to provide you with a basic understanding of the screen types, materials, and control options you might encounter in your quest to build the perfect big-screen theater for your budget, room environment, and installation prowess.

### Step One: Screen Type

The type of screen you select will play a major role in determining overall cost. One of the least expensive options is also the easiest to set up: A portable screen is a great choice for the person who lacks a dedicated theater space but still wants to enjoy the occasional big-screen movie event. You can set up and stow away Da-Lite's Theater-Lite pull-up screen in minutes, and an 80-inch 16:9 model costs less than \$400. For the adventurous do-it-yourselfer

who wants a more permanent budget solution, DIY Home Theatre and Goo Systems offer the paints and borders you'll need to transform an open wall into a theater screen.

If you've ever hung a large piece of artwork, you can handle installing a fixed-frame screen, such as Da-Lite's Cinema Contour, Screen Research's ClearPix2, or Stewart's Luxus Screenwall. The final choice is a retractable screen, discreetly housed in a chassis that mounts on the wall or ceiling. A manual pull-down model is a wonderfully economical choice; Draper's 92-inch-diagonal Luma2 pull-down screen costs less than \$300. **If you go with a motorized model, it adds some cost to the bottom line. For instance, the 75-inch-diagonal Elite Screens Home2 model begins at \$789.**



Most home theater projectors cast an HDTV-friendly 1.78:1 (16:9) image, so you'll want a screen to match. If you simply cannot abide the sight of black bars with 1.85:1 or 2.35:1 film content, you may want to invest more money in an automatic masking system that uses panels to perfectly frame the screen for the exact aspect ratio you're watching with any given source. Of course, the black bars are still there; you just can't see them. To remove horizontal bars entirely and use the projector's full vertical resolution with every source, you'll need a projector with an anamorphic lens attachment and a wider 2.35:1-shaped screen like Stewart's CineCurve or dnp's Supernova Epic. These models include side masking panels that reframe the screen for 1.33:1, 1.78:1, and 1.85:1 content.





## Step Two: Screen Material

After you select a screen type, the next step is to decide what type of material to put in that frame, a decision that your projector and viewing environment will primarily dictate.

Every projection screen has a specified gain, or a measurement of reflectivity between the screen and projector. A 1.0-gain screen reflects the same amount of light as a white, magnesium oxide board. A 1.5-gain screen reflects 50 percent more light, and a 0.5-gain screen reflects 50 percent less. A spec of 1.0 or 1.1 is the most common gain for a home theater screen. A negative-gain screen like Stewart's GrayHawk (0.92 gain) reflects less light from the projector, which can improve black level.

High-gain screens (from 2.0 up) reflect more of the projector's light to help improve the image's brightness, which can be helpful if you wish to use your projection system in a family or living room that lacks complete light control. A potential drawback is that high-gain screens can distribute light unevenly, looking very bright in the center but dull near the outer edges. Another way to improve image visibility in a brighter room is to use gray screen material like dnp's Supernova Core instead of the more common matte white. White material reflects light, while gray material absorbs light, making it harder for ambient room light to wash out the picture.

## Step Three: Installing the Screen

The installation process can vary significantly depending on the screen type and manufacturer. Generally speaking, a recessed-screen installation, while providing a clean look, is usually the most invasive and labor-intensive.



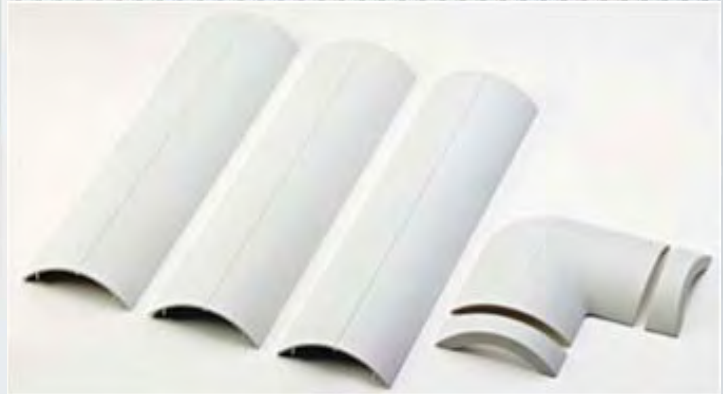
An on-wall or on-ceiling option can still offer a clean, sophisticated look with minimal structural impact on the room. Because I rent my home, I can't cut into the walls to recess a screen or run cables, so the Elite Screens Home2 model proved to be a good choice, as it uses a minimally invasive setup procedure requiring the installation of just two small brackets. With no previous screen-installation experience, I ceiling-mounted the screen in just a few hours (see the photo sidebar on the left).



One question that every DIY or professional installer must ask is how securely to mount the brackets to your wall. Companies often provide basic brackets and screws or drywall anchors, but you may wish to go with more secure stud-mounting for heavier items. My advice is to err on the side of caution; it's better to have too much bracing than not enough. I stud-mounted the Home2 ceiling chassis, and finding the studs was the slowest part of the install process; still, the extra work was worth the peace of mind.



Last but not least is that pesky power cord that will accompany a motorized model. There's nothing more unsightly than a big power cable running across or down your wall. Again, because I didn't want to run wires through my walls, I went with a quick, easy, and economical solution. Omnimount's CMK wall cable management system (\$29.95) lets you feed cable through stick-on wall brackets and then hide them behind paintable, white shells.



#### Step Four: System Integration

If you use a motorized screen or masking system, the final piece of the puzzle is to incorporate the automated function into your control system. Most screen manufacturers incorporate several control options, either included with the screen or as add-on accessories. Make sure that your desired screen uses a control method that suits your system and technical abilities.

Look for the inclusion of a low-voltage controller, usually a small keypad that you can mount on the wall near the screen. A simple control cable runs from the keypad to a control port on the screen chassis, so cable management again comes into play. Another common option is to use a 12-volt trigger. If your projector has a 12-volt trigger output, you can run a cable to the screen's 12-volt trigger port. When you power on the projector, it sends a command to automatically lower the screen; power off the projector, and the screen retracts.

Why run cables at all in this day and age of wireless remotes? Just look for a motorized model that includes an IR or RF remote control, whose codes you can add to your universal controller. The Home2 model comes with both IR and RF remotes, so I was able to add control to my Monster AVL300 remote with just a few minutes of programming effort.

Clearly, selecting and installing a theater screen doesn't have to be an overly daunting process. Assembling a two-piece projection system may require a bit more work up front, but it reaps huge reward for the movie lover who wants a truly immersive big-screen experience. Now are you ready to take the plunge?



## The House That Jim Built, Part 3

At long last, our intrepid DIYer finally gets his home theater

By James K. Wilcox  
October 2008  
Edward Smith



Has it really been 2 years since I last wrote about my efforts to install the A/V and networking systems in the new addition to my home? (See “**The House That Jim Built**,” June 2006, “**The House That Jim Built: Part Two**,” September 2006, and the Web-exclusive prequel to this story, **The Basement Home Theater Jim Built in the House that Jim Built**). It’s hard to imagine that much time has passed, but despite some dumb mistakes along the way, I have to say I couldn’t be happier with the result. When you do a lot of the work yourself, you pick up an incredible amount of knowledge about what goes into building a dedicated home theater — things I never learned from just profiling them for magazines. The previ-

ous articles detailed my experiences running wire and installing gear as my wife Lisa and I added a living room and bedroom to our riverfront home 30 miles north of New York City. Stealth, rather than high-end performance, was the priority, as our view of the Hudson River is the real star of these rooms. And with considerable help from Hudson Valley Home Media in nearby Sparkill, NY (among other things, owner Barry Weiner had to rescue me from an electrician’s bad low-voltage wiring job), my wife and I successfully met our home-entertainment goals for that part of the house.

But the basement we added at the same time was my chance to go wild — or at least as wild as a man with a toddler, a mortgage, and a limited budget can afford to go. I was determined to transform the basement into a kick-ass home theater, with a small recording studio to boot.

As you can see in the “before” picture on the right, building the home theater was a fairly significant DIY project. The room was completely unfinished, with a poured-concrete floor and walls, a large HVAC unit, exposed ductwork, plumbing and electrical lines, and an oddly formed knee-wall that abutted the old basement. While the project took almost 2 years to complete, I spent a lot of time thinking about it, buying the tools I’d need, and doing research. The actual construction lasted about 8 months, since I did most of the work at night and on weekends.



Could this be your basement? Standard concrete floor and walls, exposed HVAC ducts, and three big windows that will have to be addressed.

My original plan was to divide the basement in half across the length of the room, creating a space for the theater and another, separate one for the recording studio. I had the basement excavated a foot deeper than usual so I could have 9-foot ceilings; that would give me some leeway for ceiling-mounting a projector, and would also give me enough clearance to install a dropped acoustic-tile ceiling. To handle the room’s high-voltage requirements, I had the electrician install a large electrical sub-panel near the central HVAC unit. And since he knew my plans, Barry installed a big enough distribution panel in the old basement’s demarcation area to handle all the additional A/V and networking hook-ups I’d need.

### IT’S HAMMER TIME

With a plan now firmly in mind, I began construction, starting with the floor. Moisture is always a concern in a basement, and since my guitar collection would be down there, keeping things dry was especially critical. While I could’ve laid a carpet over a padded vapor barrier directly on the concrete, I instead installed a floating sub-floor using interlocking 2-foot-square DriCore panels, which have raised polyethylene cleats that elevate the panels off the floor, allowing any moisture that might wick up from the concrete to evaporate before reaching the surface.

To help with the framing, I hired a local handyman, Michael Reizenstein (who was also a licensed electrician), and together we framed the room’s perimeter walls. Since the concrete knee-wall was well off true, we narrowed the angle to 80 degrees, which made it look more parallel while helping to minimize room resonances that can come with perfectly squared walls. Above the concrete knee-wall, we added three sets of shelves to hold my CDs.



## The House That Jim Built, Part 3

At long last, our intrepid DIYer finally gets his home theater  
(continued)

By James K. Willcox  
October 2008  
Edward Smith



Thanks to 9-foot ceilings, the Optoma projector (which lacks a lens shift) just works in the room, projecting 1080p images onto a 106-inch Elite EZ frame screen. The 7.2-channel Martin Logan speaker system includes in-wall Tickets speakers mounted above the recording console in the recording-studio area in the back.

Proving that misery loves company, there was yet another issue: I had sheetrocked the ceiling rather than install a dropped acoustic-tile ceiling. Unfortunately, when the rest of the house was wired, I had Barry run the low-voltage cables under the basement ceiling joists instead of through them, since I thought they'd be hidden. That meant all the wires for the family room (which is just above the home theater) would now have to be ripped out and re-run through the joists. Fortunately, Barry's team was able to divert the upstairs RG6 and Cat5e cables to wire the basement equipment rack, and then run new wires through the joists for the upstairs gear.

After Barry's team was done, I ran audiophile-grade 12-gauge speaker wire through the walls to all the speaker locations, and pulled RG6 cable through conduit behind one wall to the subwoofer locations. (RG6 is better for long subwoofer runs.) Then I rushed to insulate all the walls, the HVAC/equipment room, and the soffits with kraft-faced fiberglass insulation before the drywallers arrived. After the room was sheetrocked and sanded, I painted the walls and ceiling, had a carpet installed in the theater area (reserving some extra carpeting to cover a planned seating riser), and then laid a Pergo-style wood floor in the studio section of the room, which I wanted to sound a bit livelier for recording purposes.

I seriously considered installing a fiber-optic star ceiling panel system from a company called iSky, but ultimately wasn't sure how it would look given the two soffits. Instead, I installed acoustic ceiling tiles, which resemble tin panels, directly on the drywall in a framed section of the ceiling over the theater, and then painted them with bronze-colored metalflake paint. The tiles add a nice design element to the room, and help provide additional sound insulation for the upstairs family room.

Once the walls were done, I ordered speaker-terminal wall plates that can handle spade connectors from PartsExpress (a company that saved my butt several times by overnight-shipping parts and cables I'd neglected or forgotten to order) for the front three speakers. The RG6 cables for the subs terminate at a coaxial wall plate with an RF-to-RCA-adaptor.

### AND THEN THINGS TURNED UGLY

Everything seemed to be going well when I called in Hudson Valley Home Media to spec out the basement's low-voltage prewire, which I assumed would be an easy job since the central demarc panel was in the adjacent basement area. But when Barry discovered that my theater would run sideways across the width of the room, he laughed and said the room's dimensions wouldn't allow for a screen bigger than 80 inches. "You might as well forget the projector and just get a 65-inch plasma," he said.

Since there was no way I was going to have a home theater without a projector, the idea of dividing the space evenly between the theater and the recording studio became history. Instead, there'd be one multi-use room with a projection screen at one end and the studio at the other. But then Barry pointed out another problem: For the screen to be centered on the far wall, it would have to fit under the soffit on the right side of the room. That would limit the screen's size, since it had to be a minimum height off the floor. Had I known that the screen was going on that wall, I would have run the ductwork straight down the wall instead of straight out into the room.



The gear rack, which has plenty of access from the rear, was assembled from two Raxxess studio racks. A Bellari tube preamp for the red Pro-Ject turntable, mounted on a sliding rack shelf, is located on a small shelf inside the room.



## GEARING UP

Since the mistakes had propelled me way over my construction and wiring budgets — and I still had to buy a projector and screen — my goal was to use as much of my existing equipment as I could. But rapid technological changes in the video world had rendered a lot of my high-end gear nearly obsolete. For example, neither of my home theater preamp/processors — a Krell Showcase and a McIntosh MX132, superb units both — have HDMI inputs or outputs, or support for the new lossless audio formats. I also wanted a processor that could do a good job deinterlacing and upscaling standard DVDs. That search led me to Integra's DTC-9.8, a 7.1-channel preamp/processor with four HDMI inputs, built-in decoding for both Dolby TrueHD and DTS-HD Master Audio, HD Radio, and Silicon Optix's HQV Reon-VX video-processing chip.

All the signal sources in my rack — which I made by joining two Raxxess 20-space economy studio racks and mounting them between wall studs — go through the Integra. The current lineup includes an LG BH200 Blu-ray Disc/HD DVD player; a Pioneer Elite DV-09 DVD player, which serves as the main playback device for CDs; a Pioneer DV-563A universal DVD player, which I use for SACDs and DVD-Audio discs; and a black DirecTV HR21-200 HD DVR. A recent acquisition — a Ferrari-red Project Debut III turntable — is situated on a sliding Raxxess shelf, mated to a matching Bellari tube phono preamp. Fortunately, power amps never fall out of favor, and I was able to use my Krell Showcase and B&K 7260

Reference multichannel amps to power the system. All the gear is connected to a Furman Elite 15 PF i power conditioner/surge protector.



The room during the drywall stage, with a DriCore subfloor, a long soffit hiding the ductwork, and recessed in-ceiling can lights.

To hide the exposed ductwork, pipes, and electrical lines, we built frames for the two large soffits (one shown above). We covered the sides of the frames with 1/2-inch plywood, which added structural rigidity, plus additional mass to help reduce duct noise. We also framed a small room around the HVAC system and electrical sub-panel. Since this would also serve as the equipment room, we made sure it was deep enough to provide easy rear access to all the equipment.

Once the exterior walls were done, I marked the locations for the electrical outlets and switches, and Michael pulled Romex to the locations. Since I was going to use Martin Logan electrostatic speakers plus a pair of powered subwoofers, the room was equipped with more outlets than usual. These included a quad outlet in the ceiling

near where I thought the projector would be mounted, and outlets inside the equipment room and several more along the back wall where my studio gear would be.



Hudson Valley Home Media techs Bart Cennamo (left) and John Mulgrew slide the Elite screen onto mounting brackets above the wall-mounted Martin Logan Cinema-i center speaker.

## The House That Jim Built, Part 3

At long last, our intrepid DIYer finally gets his home theater (continued)

By James K. Willcox  
October 2008  
Edward Smith

From the day I imagined the theater, I had my heart set on a 7.2-channel surround sound system built around full-range Martin Logan electrostatic speakers. Though I anticipated using the Martin Logan Quest Z speakers I already owned, they proved a bit too large for the space. Thankfully, there's a strong market for used Martin Logans, so I sold them and splurged on a pair of Martin Logan Ascent-i speakers for the L/R front channels, a Cinema-i center speaker, and a pair of Scripts for the side

surrounds. Since the back-channel speakers would be located above my recording console, I opted for Martin Logan's Tickets in-wall models, the only non-electrostatic speakers in the system. The three front speakers are all bi-wired using Monster's Z-3 speaker wire; the others are connected directly to the in-wall wire.

While I'll likely one day replace my subs, the low end is currently being handled by two I already own: a 15-inch, 500-watt Dayton Titanic MK III that I built from a PartsExpress kit and a 12-inch 150-watt Energy model. Both are situated in the front of room; their cables are connected to the RG6 wall plate using the RF-to-RCA adapter I mentioned earlier.



The most anguish I experienced over any of the gear was settling on a front projector. Maybe the best thing about my long delay was that the price of an entry-level 1080p model dropped from about \$7,000 to about \$3,000. After months of waffling, I finally pulled the trigger on Optoma's HD8000 (\$2,900), which is an ISF-configurable version of its popular HD80 projector (\$2,700). At the time, it was the least expensive 1080p model available. My main concern — a prescient one, as it turned out — was whether the projector's lack of a vertical lens shift, combined with a very high offset (136% of screen height) and a limited 1.2x zoom lens, would allow the Optoma to work in my room without having to resort to keystone adjustments.

After spending several days working out the math using Optoma's online calculator, I determined that a 106-inch screen would require an 18 3/4-inch vertical offset, with the projector mounted between 14 1/2 and 17 feet away from the screen. That would just work in the room. Had my basement not been excavated a foot deeper than usual, in all likelihood I'd now be watching a different projector.

I quickly discovered that the screens I've written most often about — from companies such as Stewart FilmScreen and Screen Research — cost more than my projector. Online recommendations pointed me toward Elite Screens, which is earning a reputation for delivering a lot of big-screen bang for the buck. I've been more than happy with the fixed-screen



The room's left-side wall is home not only to much of Jim's CD collection, but also a fair number of acoustic and electric guitars.

model I chose: the Elite EZ Frame — an anodized aluminum frame faced with black velour — paired with the company's CineWhite (1.1 gain) screen (\$600). Assembling the frame and screen took only about a half hour, and since this was my first experience with a front projector, Barry and his team helped mount both the screen and projector.

Once all my gear was installed and connected, I had the HD8000 professionally calibrated by Kevin Miller, noted ISF technician, friend, and president of Queens, NY-based ISFTV. Since I already had an older Philips Pronto remote (TSU-3000), I asked Barry's team to program it with macros for watching a movie or TV and listening to music. Then I used the Integra's Audyssey MultiEQ XT calibration system, which can measure up to eight listening positions in the room, to set up the system, fine-tuning the result with my trusty RadioShack analog SPL meter.

Although there's still some work to be done, I've been enjoying my new room ever since leather theater chairs arrived a few weeks ago. Whether I'm watching a movie, blasting music, or just kicking back playing guitar, I've found that this room embodies everything I hoped for when I imagined it 2 years ago. Although I've always been more of a music guy than a videophile — and the room's sound system is truly awe-inspiring — I have to say that I've been singularly impressed with the performance of the projector and screen, especially when you consider that this level of quality wasn't within my financial reach when we did our addition.

So I'm incredibly happy with how the project turned out. If "The House That Jim Built" saga needs an epilogue, it would be "And they lived happily ever after."

## GEAR LIST

- Optoma HD8000 DLP 1080p front projector
- 106" Elite EZ Frame fixed projection frame with CineWhite screen.
- Martin Logan Ascent-I electrostatic speakers (pair, front left and right)
- Martin Logan Cinema-I electrostatic center-channel speaker
- Martin Logan Script (pair, left and right surrounds)
- Martin Logan Passage in-wall speakers (left and right rear)
- Energy e-XL12 powered subwoofer (12-inch driver)
- Dayton Titanic MK III powered subwoofer (15-inch driver)
- LG BH200 Blu-ray Disc/HD DVD player
- Pioneer Elite DV-09 DVD player (for CD playback only)
- Pioneer DV-563A universal DVD player (for SACD and DVD-Audio playback only)
- DirecTV HR21-200 high-definition DVR
- Project Debut III turntable
- Bellari VP129 tube phono preamp
- Krell Showcase seven-channel amplifier (250 watts per channel at 4 ohms)
- B&K 7260 Reference six-channel amplifier (400 watts per channel at 4 ohms)
- Furman Elite 15 PF i power conditioner/surge protector
- Belkin PureAV PFHD Home Theater Power Conditioner (ceiling-mounted for the projector)
- Monster Z2 Bi-wire
- Raxxess economy studio racks (two)
- Cannes leather home theater seats (2 rows of three seats)



When it comes to home theaters with front projectors, the quality of the picture starts with your projector. But the quality of the end result will depend on your screen. Just as the quality of projectors vary, so do the quality of screens. While you wouldn't use a \$2,000 screen with a \$1,000 projector, it is too easy to use a \$200 screen with a \$2,000 projector. It is possible to get a good quality screen for a fairly cheap price that will not degrade the quality of the image from your projector. Up for review is an Elite Screens EZ Frame 100 inch wide fixed mount screen.



When I opened the screen that Elite Screens sent for review, I could tell the high level of quality. The frame material was a very high quality, solidly built 2.36 inch aluminum frame with a black velvet finish. The design is quite ingenious with the frame having multiple grooves built into the aluminum frame. All sides of the screen material have a slot that provided plastic rods slide into. Then you push the edge of the screen with the embedded rod into the first groove. There are plastic clips provided, and once you push the screen into the first groove the plastic clip slides into another groove and holds the screen in place. The provided installation instructions are simple to follow. They are step by step, and once you start to install the screen into the frame, the sections of the frame are numbered to show a recommended order of installing the plastic clips to tension the screen to the frame. I started in the middle. After installing the first two clips at the top and bottom of the

screen, there was a tight crease and I was worried there would be a lot of creases in the screen material. But as I went around and installed all of the plastic clips, the screen ended up being well secured to the frame and well tensioned with a flat surface free of creases, of the entire screen. The end result was a great looking flat screen with a nice looking solid frame in a black velvet finish. Once the frame is built it is time to mount it. The mounting design is also rather ingenious. There is a third groove that runs the entire length of the frame. Included with the frame were two aluminum brackets. These two brackets are aluminum plates that are flat except for a lip at the top. These plates are screwed onto the wall through a stud, so they are flat with the wall except for a lip at the top that sticks out from the wall about 1/16 of an inch. This spacing a the lip now allows it to slide into the last groove of the frame. So the installation process was rather simple. And after you have to do is screw the plates onto the wall. Once the wall plates are installed, all you do is lift up the screen and set it on the plates. Follow the included instructions and it is pretty simple. And the end product looks great. The screen itself is also washable.

So we know it uses high quality parts, is easy to build even for one person, and the completed screen looks great. But how does it perform? As I mentioned earlier, screens can get very expensive. This is after all not quite considered a budget screen. Screen material options are either CineWhite 1.1 or AcousticPro1080. The screen material provided was the CineWhite. The CineWhite does not quite have the black level performance help that the Cinema grey screens provides, but if you have a newer projector- which should have fairly good black level performance, the Cinema White would do a good job. And the screen material itself is fairly easy to interchange.

The picture looked great. The performance was better then expected. The image was bright enough, with good black levels, uniform diffusion and no noticeable color shift. Overall it was a good looking picture. Times are difficult with many of us trying to cut back where we can. For those of you looking for a screen on a tight budget, and are tempted to save some cash by picking up a manual pull down screen, I would suggest you take a look at the Elite Screens EZ Frame They also have their SaleFrame line which is their entry level fixed mount screen. The tensioned screen will not only look better, the fixed mount frame will have a better overall look. And it will give you years of enjoyment. For more info and complete specs, please check out their website at <http://www.elitescreens.com/index.php>.





# Product Review

ezFrame - This Screen looks & performs better than its price tag suggests  
Arlen Schweiger / ELECTRONIC HOUSE

As much as you'd love a \$20,000, four-way, motorized masking, curved CinemaScope screen for your theater, that's a daydream for most. However, for less than a tenth of the cost you can still own a rock-solid projection screen. The EZ-Frame screen products from Elite Screens look like they cost a whole lot more than they do, and their performance is on par with that. If you're debating flat-panel TV versus projection, consider that a 100-inch EZ-Frame and modest high-def projector combo costs about as much as a quality 50-inch HDTV—only the picture is quadruple the size.



To test the installation rigors and performance, Elite sent me a 92-inch EZ-Frame regular white matte, 16:9 fixed screen. You may get away with doing the install yourself; I enlisted colleague Bob Archer to make it an easier two-man job.

If you're installing it in a basic theater room like mine, screen assembly and mounting will be no sweat. Elite marketing manager David Rodgers says most custom electronics pros can zip through it in 30 minutes to an hour. Bob and I weren't that speedy, but even as novices it took us less than two hours.

After unboxing and laying the contents on the floor—most theaters will have more breathing room than mine for this—we started attaching the horizontal velour-surfaced aluminum frames, which come in two pieces, and then the vertical sides. The only knock was that in one corner not every screw hole aligned perfectly; but overall fastenings were plenty tight so leaving one screw out wouldn't hinder the installation.

It took about 35 minutes to assemble the frame, insert the tension rods and carefully unroll the screen (you want as little debris in contact as possible), and we were on to the tensioning. Attaching the fix plates into the frame slots for this task was much more difficult, but the process still only required about 40 minutes, despite our breaking a handful of the plastic pieces and feeling like our thumbs were about to fall off.

Wall hanging proved simple with the 2-inch flat strap sliding brackets, and after measuring, leveling and mounting, the screen was ready for action. At the time of this review, I'd used it with a BenQ mini LED projector and an Anthem LTX 300v D-ILA model, running the gamut at about \$500 and \$6,500, respectively (and I've since used another high-performance model, DreamVision's StarLight). Having projected the BenQ onto my white wall, the addition of the screen made a noticeable improvement in picture clarity and brightness, plus framing the image in black provided boost in contrast.

In handling the much higher-performance Anthem 1080p unit, this value screen has been nothing less than a champ—it looks like a really crisp, really large LCD. One of its merits as a bargain performer is that you can put that extra cash toward a better projector.

Blu-ray, HD DVD, cable, and PC content of varying resolutions was rendered smoothly and brightly, with nice color uniformity and no hot spotting.

If you're worried about not having an always-dark dedicated theater, I found that even with a can ceiling light turned on inches in front of this screen, the image was highly viewable, so higher-gain options ought to work exceedingly well under ambient light conditions—another plus for the screen side of the debate.

Arlen Schweiger - Managing editor of Electronic House Magazine

Arlen contributes product news items to [electronichouse.com](http://electronichouse.com) along with his role on the print publication. Got a tip? Send it along!



## Specifications, Pros, Cons

### Specs

Available in white tension PVC, high 1.8 gain white, tension contrast gray  
Solid or acoustically perforated material options  
Black-backed screen material  
Black, lightweight velour-surface aluminum frame  
2-inch flat strap sliding mounting brackets  
4:3, 16:9, 2.35:1 aspect ratios  
Sizes from 84 to 200 diagonal inches  
MSRP starting at \$649 (street pricing can be found for about half)

### Pros

Priced at a bargain  
Easy to assemble and mount  
Quality image enhancement  
Looks nice even when there's no picture onscreen

### Cons

Screw holes won't always align  
Fix plates somewhat breakable  
No masking option

# Product Review

New VersaWhite projection screen material combines dry-erase capabilities with projection screen technology

**CERRITOS, Calif., October 18, 2010** — Elite's new matte white projection material with dry-erase capabilities has created an interested stir within the commercial integrator and retail sales channels alike. The Versawhite is a dry-erase material that functions with equal facility as a front-projection screen or as a whiteboard writing surface for training/classroom facilities.



## Available Models

Versawhite material is available as either a hard-framed whiteboard (WhiteBoardScreen Universal), or as a pliable adhesive projection screen (Insta-DE ) or magnetic (Insta-DEM) screen.

The **WhiteBoardScreen Universal** takes the traditional whiteboard design and fuses it with a professionally crafted projection surface. The Versawhite material used will not hotspot or create an unsightly color shift which is common when projecting on a regular whiteboard.

## Key features of the WhiteBoardScreen Universal:

Versatile hard-backed whiteboard/projection screen combination product Projection surface is coated in a "glare-free" scratch-resistant optical nanotech resin.

The **Insta-DE screen** is ideal for converting any office wall space into an instructional whiteboard-projection screen. Its magnetically-backed variant, the **Insta-DEM** is for converting ferromagnetic surfaces.

## Key features of the Insta-DE & DEM screens:

Instant whiteboard/projection screen converts empty wall space in minutes Contour padded backing has choice of adhesive (DE) or magnetic (DEM) attachment Projection surface is coated in a "glare-free" scratch-resistant optical nanotech resin

## Material

The 1.1 gain matte white material is ideal for use with standard, interactive, and/or short-throw projectors. It is coated with a highly durable scratch-resistant optical nanotech resin. This allows the Versawhite material to fulfill its dual role as a dry-erase writing surface. Versawhite also performs with clear color reproduction that should be expected from a precision designed projection screen but has never been performed by a regular whiteboard. Insta-DE Screens are available in many sizes in a 4:3, 16:9 or 16:10 aspect ratio.



For more information about Elite Screen's various product lines, please visit our website at [www.elitescreens.com](http://www.elitescreens.com)

## About Elite Screens, Inc.

Elite Screens Inc. is a California-based company founded in 2004 by manufacturing veterans from the AV/IT/Custom industry. We specialize in commercial and home-theater projection screens for the retail and custom install sales channels. We produce a wide variety of electric, manual roll-up, fixed frame and portable projection screens with a broad array of sizes, formats and materials. Products are sold worldwide through our offices in the US, Germany, China and Taiwan. Elite Screens, Inc. is headquartered at 16410 Manning Way, Cerritos, CA 90703. For more information, please call 877-511-1211 or visit <http://www.elitescreens.com>.



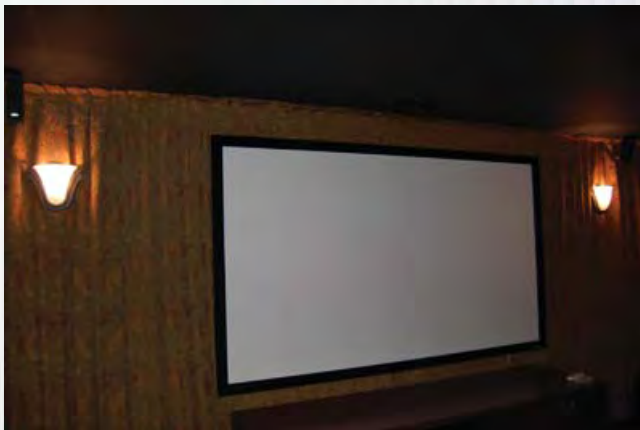
# Press Release

Bill Goldberg's show, Garage Mahal features Elite Screens' ezFrame 110" projection screen in a home theater project



**Cerritos, California. October 10, 2010**

Garage Mahal is the DIY Network's latest show that takes disorganized garages and turns them into spectacular living spaces. Former NFL player, pro wrestler and car buff Bill Goldberg hosts the show that not only illustrates the possibilities of what can be done, it inspires homeowners to really explore possibilities of their own homes.



110" Elite ezFrame used in the project

In this episode, a dilapidated, spider-infested garage is converted into a top of the line home theater room complete with creature comforts, surround sound and a large fixed frame projection screen courtesy of Elite Screens.

For more information about Elite Screen's various product lines, please visit the website at [www.elitescreens.com](http://www.elitescreens.com)

# Product Review

Elite Screens' ezFrame is Editor's Pick in CE Pro Magazine

## The ezFrame has great Editor's Pick Review in CE Pro Magazine's August Edition

Cerritos, California., September 15, 2010

Elite Screens is proud to announce that their ezFrame projection screen has made the Editor's Pick review for the August edition of CE-Pro Magazine. Below is an excerpt citing the quality of the ezFrame and its advantage in leading to increased channel sales.



**This value screen has been nothing less than a champ in handling such a quality model like the Anthem. One of its merits as a bargain, combined with its performance, is that you can upsell clients into a higher-end projector with the money they're saving on the screen. That may be on top of an Elite sales pitch (combined with a good sub-\$2K projector) that they can have four times the picture of a similarly priced flat panel.**

**-Arlen Schweiger, Managing Editor, CE Pro Magazine**

The ezFrame fixed-frame projection screen has been a top seller for many years. It has lately been selling in even greater numbers to custom installers thus prompting interest in the review. The Elite family is proud of this product and the fact that it is gaining ground in custom install marketshare. With so many product lines to choose from, Elite welcomes the opportunity to play a key role increasing our resellers and distributors sales. The best is yet to come.

For more information about Elite Screen's various product lines, please visit the website at [www.elitescreens.com](http://www.elitescreens.com).

"Elite's color balance is extremely close to neutral, it assembles pretty easily, and the screen surface is taut with no waves. Overall construction appears pretty good, and I doubt you'll find another screen that will do better when you take price into consideration." - Art Feerman / Projectorreviews.com

"The bottom line ... you don't need to spend thousands of dollars for a top of the line screen to get great performance for the money." - Bill Livolsi / ProjectorCentral.com



# Press Release

Lunette, Elite Screens' Curved Frame projection screen projection screen enhances aesthetic appeal and performance

**Cerritos, California. August 11, 2010** - Elite's Lunette has a special curve design that directly enhances the aesthetic appeal of the presentation by giving its viewers the sensation of being physically drawn into the film. As an added benefit, the curve design eliminates the "pincushion effect" commonly experienced when projecting in a 2.35:1 (Widescreen) format.



Pincushion effect is when the top and bottom center of a widescreen projection appear to droop inward. It occurs because as the length of an aspect ratio increases, the light from the projector must travel a greater distance to the sides of the screen than it does to the center distorting the size of the footprint. Elite's curve design brings the sides of the screen forward to even out the projection footprint resulting in a perfectly formatted image. In addition to this, it creates a sense of immersion that only a curved screen can provide.

Elite's Lunette measures from 85" to 166" diagonally in 16:9 (HDTV) or 2.35:1 (Widescreen) aspect ratios. Material options include Elite's award-winning CineWhite tension matte white 1.1 gain material that is black backed to eliminate light penetration or the acoustically transparent AcousticPro1080 matte white woven material with black fabric backing material. The frame is 3.5" thick and is surfaced in black velour to avoid light reflection. Product assembly and installation is quick and easy.

## Availability, Pricing, Warranty

Elite Screens' Lunette is in stock now. Pricing starts at \$919 (USD) and is available now through the commercial and retail sales channels. It comes with Elite's two-year manufacturer's limited warranty, which is twice the industry standard. As further testimony to the quality of their product, Elite offers a 3-year warranty program for Educational, Government, Military and Religious organizations.



## Elite Screens, get the big picture.

For more information about Elite Screen's various product lines, please visit the website at [www.elitescreens.com](http://www.elitescreens.com).

"Elite's color balance is extremely close to neutral, it assembles pretty easily, and the screen surface is taut with no waves. Overall construction appears pretty good, and I doubt you'll find another screen that will do better when you take price into consideration." - Art Feirman / Projectorreviews.com

"The bottom line ... you don't need to spend thousands of dollars for a top of the line screen to get great performance for the money." - Bill Livolsi / ProjectorCentral.com

# Product Review

## Evanesce, the Disappearing Electric Screen

**CERRITOS, Calif., April 16, 2010** — Elite Screens, Inc. today announced the launch of its in ceiling electric projection screen for professional integrators, the Evanesce.

The Evanesce is encased in a white-finished aluminum housing that is durable and moisture resistant. There are tensioned and non-tensioned options available in matte white material for its wide diffusion uniformity along with a black backing to eliminate light penetration for a cleaner, sharper image. The MaxWhite FG™ is a 1.1 gain layered fabric screen material that is fiberglass-backed for increased flatness. The Award winning Elite CineWhite™ 1.1 gain black backed PVC tension material has side tab tension cords to provide flatness.



For the complete operational package, the Evanesce comes with Infrared (IR) and Radio Frequency (RF) receivers, remote controls, RJ45 wire connection and a 5-12Volt trigger to coordinate the screen's operation with the projector's power cycle. An external low voltage 3-way wall switch and an up/down RJ45 module are also included to maximize control options.

### **Pricing, Availability, Warranty**

Elite Screens' Evanesce is currently available for Retailers, Commercial Integrators and Custom Installer in sizes from 84" to 139" using tensioned or non-tensioned materials in 4:3, 16:9, 16:10 or 2.35:1 aspect ratios. Optional Custom sizes, aspect ratios and screen material are available by special request.

Elite Screens has a 2-year manufacturer's warranty which is twice the industry standard. As further testimony to the quality of their product, Elite offers a 3-year warranty program for Government, Educational, Military and Religious organizations. Product is available for immediate distribution with prices starting at \$1,349.

For more information about Elite Screen's various product lines, please visit our website at [www.elitescreens.com](http://www.elitescreens.com).



**CERRITOS, Calif., March 23, 2010** — Elite Screens, Inc. an innovative company that specializes in quality projection screens for the retail and installation markets, today announced the release of its Enhanced Features Manual Projection Screen with a Slowed Retraction Mechanism or Manual SRM Pro. “It offers enhanced aesthetics along with performance.” said David Rodgers, marketing manager, Elite Screens, Inc. “The SRM allows the screen to gently retract by itself and without the presenter’s assistance.”



The Manual SRM Pro is a new concept in a well established product. It features a Slow Retracting Mechanism (SRM) that permits the screen to retract slowly back into its casing without being assisted by the presenter. Traditional manual projection screens have a spring-loaded mechanism that will retract the projection surface so quickly that the force of its return may actually knock the entire unit out of its installation. This risk is eliminated with this added SRM safety feature. Additional features include its auto locking mechanism for variable height settings, black masking borders, wide diffusion uniformity, lanyard for convenient operation and a revolutionary end cap design that accommodates both wall or ceiling installations.

Aesthetically, the SRM-Pro features a squared aluminum casing with a pearlescent-white finish that is pleasing to the eye and gives a professional look to the office or classroom.

The viewing surface is made of Elite’s MaxWhite FG 1.1 gain, fiberglass-backed (matte white) material that provides flatness with wide diffusion uniformity for a versatile presentation. Manual Screen sizes are available from 84" to 120" with your choice of 4:3 NTSC and 16:9 HDTV aspect ratios.

### **Pricing, Availability, Warranty**

Elite Screens' Manual SRM pricing starts at \$89 (USD) and is available now through the commercial and retail sales channels. It comes with Elite's two-year manufacturer's limited warranty, which is twice the industry standard. As further testimony to the quality of their product, Elite offers a 3-year warranty program for Educational, Government, Military and Houses of Worship organizations.

### **About Elite Screens, Inc.**

Elite Screens Inc. is a US based company with its world headquarters in California, United States and satellite offices in China, Taiwan, Japan, France, Germany, and the Baltic States. Elite is an ISO9000-2001 certified manufacturer that specializes in producing retail, commercial and home-theater projection screens for the specific yet varied needs of these three sales channels. As a leading American screen company, we deliver our promise of awarding winning quality through cost effective products for today's discerning video enthusiasts. We produce a variety of front, rear and acoustically transparent projection screen materials for virtually any projection environment. Elite Screens, Inc. is located at 16410 Manning Way, Cerritos, CA 90703. For more information, please call 877-511-1211 or visit <http://www.elitescreens.com>.

# Product Review

Elite Screens Partners with HTSA to sell its PrimeVision by Elite line of dedicated custom installation products



**CERRITOS, Calif., Jan 31, 2010** — Elite Screens, Inc. an innovative company that specializes in aggressively priced high quality projector screens, today announced its partnership with the Home Technology Specialists of America (HTSA) to promote and sell Elite’s custom product line, Prime Vision by Elite Screens.

“We have been looking for the right partner to help us promote our award winning line of home cinema screens for the custom market and we are excited about working with HTSA.,” said Barry Coles, VP of Elite Screens, Inc. “Our products will compliment their already impressive line of home technology products, and we expect great success in 2010 and beyond!”

Home Technology Specialists of America is a cooperative of the country’s most experienced and knowledgeable custom retailers and systems integrators. If you’re buying from a certified HTSA home theater consultant, you’re buying from a true expert in the industry. HTSA’s members represent the most reputable, technologically-advanced, design-savvy home theater retail and design showrooms in the country. They have more than 100 locations around the country who share joint buying power with the organization, resulting in a lot of purchasing power working for the consumer.

Prime Vision by Elite Screens is the premium quality product manufacturing division for Elite Screens Inc. It provides the dedicated product lines for today’s system integrators and custom retailers. Product lines include the Dream Window fixed frame and Evanesce electric in-ceiling projection screens. Custom orders and a wide variety of front, rear and acoustically transparent screen materials are available

## **About Elite Screens, Inc.**

Elite Screens Inc. is a California-based company that specializes in affordable high quality commercial and home theater projection screens. Our production facilities located in China and Taiwan produce a wide variety of electric, manual roll-up and fixed frame screens with a broad array of sizes, formats and materials. Products are sold through authorized distributors, resellers, retailers and system integrators throughout the world. Elite Screens, corporate headquarters is located at 16410 Manning Way, Cerritos, CA 90703 with regional offices in Japan, China, Taiwan, France and Germany. For more information, please call 877-511-1211 or visit <http://www.elitescreens.com>.



**New Concept in a well established product. The Tripod Pro has a redesigned casing that is velour surfaced for the rental and staging market**

**CERRITOS, Calif., Jan 20, 2010** - Elite Screens, Inc. an innovative company that specializes in affordable high quality projector screens, today announced the launch of the Tripod Pro enhanced free-standing portable projection screen. It is an enhancement of a traditional design.

"The Tripod is our best selling portable screen. Due to its price performance and dynamic functions, it has become a favorite with educators, commercial trainers and residential consumers." said Dave Rodgers, Marketing Manager for Elite Screens. "The new casing with the velour surfacing adds a touch of elegance for rental and staging presentations which enhances an already tried and true product."



The Tripod Pro has a black tube casing that will protect the screen material and is coated in a velveteen material that absorbs glare from projectors as well as bear the brunt of hard handling in rental and staging applications. It is available in a (1:1) aspect ratio with viewing sizes that range from 85" to 99", 113" and 119" diagonal measurements. The screen material is Elite's MaxWhite 1.1 gain matte white front projection material with black masking borders. They vary in weight from 15lbs to 35 lbs making the tripod a highly portable and versatile product. Lastly, each tripod has a keystone eliminator to accommodate angle distortion or "keystone effect" during forum presentations.

### **Warranty, Availability, Pricing**

The Tripod Pro comes with Elite's two-year manufacturer's limited warranty, which is twice the industry standard. Elite's Tripod Pro Series is available now through the commercial and retail sales channels. MSRP starts at \$189.

Best regards,  
David Rodgers  
Marketing Manger  
Elite Screens Inc. (USA)  
davidrodgers@elitescreens.com

For more information about Elite Screen's various product lines, please visit our website at [www.elitescreens.com](http://www.elitescreens.com).

# Product Review

Elite Screens announces the opening of its French Office in Suresnes



**Suresnes, France., December 31, 2009** - Elite Screens , an innovative company that specializes in affordable high quality projector screens for the European AV market, today announced the opening of its new office in Suresnes, France. Heading the operation is Pascale Dautemer, a veteran AV professional with 20-years experience in this field.

"The French market has so many promising sales channels and it requires a professional that can readily identify the needs of its customers," said Dave Rodgers, marketing manager of Elite Screens' world corporate office near Los Angeles, California. "Pascale has repeatedly demonstrated her keen insight in this market by providing excellent service through her vast knowledge of this business."

Pascale graduated from Ecole Superieure de Gestion (ESG), Paris, majoring in Business, Mathematics and Physics. She speaks three languages (French, English & German). In addition to this, she has two decades of experience in AV sales primarily in the French and Swiss markets. Her previous experience with big name manufacturers such as Canon, Epson and Benq has set the course for her to excel in her field while developing an uncanny knowledge of Europe's audio-video market.

The new Elite Screens office is located at 11, Allée William Penn 92150 Suresnes, France, tel. +33-1-45064735. Elite offers quality projection screen product lines for big box retailers, and small local resellers to commercial and residential custom integrators.

Elite's expertise is in a total product that includes quality screen material, accessories, mechanical design, reliability, ease-of-use, excellent customer service and reasonable pricing. They also boast a two-year warranty on all of their products, twice the industry standard.

"We promise our quality by standing behind our products with a long warranty," added Jeff Chen, president, Elite Screens. For more questions regarding elite screens' products, please visit our website at [www.elitescreens.com](http://www.elitescreens.com).

Best Regards,

-Dave Rodgers

For more information about Elite Screen's various product lines, please visit our website at [www.elitescreens.com](http://www.elitescreens.com).



# Press Release

Elite Screens' new Raptor projection screen changes the face of executive office presentations.



**CERRITOS, Calif., August 15, 2009** — Elite Screens, Inc., an innovative company that specializes in affordable high quality projector screens, today announced design modifications to its Raptor projection screen that provide even more versatility for commercial AV integrators performing executive installations.

Raptor, a premium electric floor-rising screen that conceals itself in an attractive functional furniture cabinet, is now available in a front-mounted configuration that allows enough surface space for up to a 60-inch flat-panel display. Originally designed as a home theater product, the Raptor established a growing following as an executive office centerpiece. It has stylish aesthetics and the choice of MaxWhite FG (fiberglass-backed, non-tensioned) or CineWhite (tension PVC) projection material. In addition, there is the option of 16:9 or 2.35:1 aspect ratios.

Elite's Raptor is an elegant, completely self-standing projection screen for situations where wall or ceiling screen installations are not practical. It is housed in a fully functional media stand that accommodates a variety of hardware with its self-contained, attractive design.

"Raptor is an ideal home theater solution that combines aesthetic elegance with the functional performance of a large disappearing projection screen," said David Rodgers, marketing manager, Elite Screens, Inc. "With enough surface space for a flat-panel TV or other functional items, Raptor provides a perfect solution."

Elite's Raptor comes in three sizes: 72-inches, 84-inches or 92-inches measured diagonally with a 16:9 and 2.35:1 aspect ratios available, with Elite's MaxWhite FG fiberglass-backed material that provides a flat and easily visible surface in 1.1 gain for home theater versatility. Additional material options also include Elite's CineWhite 1.1 gain tension material.

Raptor utilizes a motorized cross-rising "scissor" mechanism for versatility in placement and convenient integration. It is driven by a tubular motor that has a superior weight tolerance and operational lifespan. Its variable height settings accommodate virtually any home theater environment while the cabinet's neutral design and aesthetic accentuates the décor of most homes or offices.

Elite's Raptor provides a wide variety of control options for increased flexibility. Each unit comes with a 5-12V wireless trigger for drop/rise synchronization with a projector's power cycle along with infrared and radio frequency (IR/RF) receivers for a complete wireless operational package. The RF remote provides a superior range of wireless operation without the necessity for line-of-sight contact. The ZR800D IR universal learning remote allows simultaneous screen operation with up to eight different media devices so users can easily and quickly manipulate various video and media sources. Both the RF remote and a ZR800D IR universal learning remote are included.

## **Pricing, Availability, Warranty**

Elite Screens' Raptor is priced at \$4899 USD and is currently available through retail, internet, professional AV and systems integrator channels. It comes with Elite's two-year manufacturer's limited warranty, which is twice the industry standard.

## **About Elite Screens, Inc.**

Elite Screens Inc. is a California-based company founded in 2004 by manufacturing veterans from the AV/IT/Custom industry. We specialize in commercial and home-theater projection screens for the retail and custom install sales channels. We produce a wide variety of electric, manual roll-up, fixed frame and portable projection screens with a broad array of sizes, formats and materials. Products are sold worldwide through our offices in the US, Germany, China and Taiwan. Elite Screens, Inc. is headquartered at 16410 Manning Way, Cerritos, CA 90703. For more information, please call 877-511-1211 or visit <http://www.elitescreens.com>.



# Product Review

Elite Screens GmbH is now in Eastern Europe with veteran sales management

**HAMBURG, Germany., August 10, 2009** — Elite Screens GmbH an innovative company that specializes in affordable high quality projector screens for the European AV market, today announced its expansion into Belarus, the Ukraine, Czech Republic, Slovakia and the Baltic States. To accomplish this, they are bringing aboard Dmitrijs Maļinovskis, an 11-year veteran sales manager in the Eastern European audio-video market.



“There is a growing need for projection technology in the Eastern European countries and Elite Screens is proud to be part of the solution,” said Dave Rodgers, marketing manager of Elite Screens’ world corporate office near Los Angeles, California. “We’re excited about unleashing Dmitrijs’ talents on this market. His efforts to protect the interests of his customers while forming sound business relationships speak volumes on his character and I am proud to work with him.”

Dmitrij or “Dima” to his colleagues graduated from the University of Latvia (LU) in Riga, majoring in Business Administration and Economics. He speaks four languages and has eleven years’ experience in AV sales in the Eastern European market. His mission is to provide his region with quality projection screens and the excellent customer service that Elite Screens is known for in America. His previous experience with TD Baltic, one of the fastest-growing IT companies in the Baltic States has helped Dima pave the way into this market.

Elite Screens, Inc. understands that in the past, projection screens had to be custom ordered, which took time to individually produce and ship, resulting in high costs. Elite instead offers mainstream projection screens with comparable quality in standard sizes at reasonable prices in America and abroad, with great success.

Elite’s expertise is in a total product that includes quality screen material, accessories, mechanical design, reliability, ease-of-use, excellent customer service and reasonable pricing. They also boast a two-year warranty on all of their products, twice the industry standard.

“We promise our quality by standing behind our products with a long warranty,” added Jeff Chen, president, Elite Screens.  
About Elite Screens, Inc.

**Elite Screens Inc.** is a California-based company with satellite offices in Europe and Asia. Elite specializes in affordable high quality commercial and home theater projection screens. Our R&D facility in Taiwan provides the latest designs to our production facility in China to make a wide variety of electric, manual roll-up and fixed frame screens with a broad array of sizes, formats and materials. Products are sold through authorized distributors, resellers, retailers and system integrators throughout the world. Elite Screens, Inc. is located at 16410 Manning Way, Cerritos, CA 90703. For more information, please call 877-511-1211 or visit <http://www.elitescreens.com>.





**CERRITOS, Calif., June 9, 2009** — Elite Screens, Inc. an innovative company that specializes in affordable high quality projection screens, today announced an attractive new in-wall switch for its lines of electric projection screens made for automatic, “hidden” or disappearing projection screens for residential and commercial installations.

Users or systems installers can simply place the wall switch next to a doorway entrance, near the projector, or anywhere else in a room, for a stylish and convenient way to bring a projection screen down from the ceiling or retract it, with a press of a finger.

“Our new in-wall switches are elegant and add a subtle design component to a state-of-the-art home theater or conference room,” said Dave Rodgers, marketing manager of Elite Screens, Inc. “They are unobtrusive and match today’s sleek light switches, for a consistent look throughout the room.”

Elite’s new wall switch uses a low voltage CAT-5 Ethernet connection for easy integration with any of Elite’s wall/ceiling electric projection screens or Elite’s Kestrel self-standing electric screen. The switch module is also interchangeable with three-way switches for users who want a different look than a standard switch plate. The switch comes in either black or white, starts at \$38, and carries Elite’s standard two-year accessories warranty.

#### **About Elite Screens, Inc.**

Elite Screens Inc. is a California-based company founded in 2004 by manufacturing veterans from the AV/IT/Custom industry. We specialize in commercial and home-theater projection screens for the retail and custom install sales channels. We produce a wide variety of electric, manual roll-up, fixed frame and portable projection screens with a broad array of sizes, formats and materials. Products are sold worldwide through our offices in the US, Germany, China and Taiwan. Elite Screens, Inc. is headquartered at 16410 Manning Way, Cerritos, CA 90703. For more information, please call 877-511-1211 or visit <http://www.elitescreens.com>.

# Press Release

Elite Screens, Inc. Announces StarBright™ 7 Ultra High-Gain Projector Screen Material for Home Theater & Commercial Applications

**CERRITOS, Calif., January 7, 2009** — Elite Screens, Inc. an innovative company that specializes in affordable high quality projector screens, today announced its StarBright™ 7 ultra high 7-gain material in a wide range of its best-selling projector screens for home theaters, houses of worship, conference rooms and educational applications that are affected by the presence of ambient light. Using its High Contrast Filter (HCF) surface coating, StarBright™ 7 absorbs ambient light while boosting color resolution and black level contrast.



“Ambient light is the mortal enemy of front projection, and most projectors and projection screens create washed out images with the curtains are open or when the lights are on,” said David Rodgers, marketing manager, Elite Screens, Inc. “Our StarBright™ 7 material has a reflectivity that is so bright, and it absorbs ambient light so effectively, that even lower-lumen projectors can create a fabulous image in either a dark or well-lit room.”

Elite’s StarBright™ 7 advanced HCF

multi-layered material focuses light into a concentrated 90 degree half-gain cone that is ideal for use in a tough ambient light presence. Its primary impression layer enhances video color balance to produce an even spread of light and brilliant colors for a consistently bright image across the whole screen. All audience members see a consistent, bright image, even with the lights

“Some people are concerned about using projectors in particular conference rooms or turning a living room into a home theater because of ambient light from windows,” added Rodgers. “With a StarBright™ 7 screen, we offer a lot more creative options.”

## Pricing, Availability, Warranty

Starting at \$1089, Elite Screen’s StarBright™ 7 material is currently available in its ezFrame, and Elite Prime-Vision Screens in standard sizes from 84 inches to 180 inches. Custom sizes are also available. Each screen comes with a two-year limited warranty, which is twice the industry standard.

## About Elite Screens, Inc.

Elite Screens Inc. is a California-based company founded in 2004 by manufacturing veterans from the AV/IT/Custom industry. We specialize in commercial and home-theater projection screens for the retail and custom install sales channels. We produce a wide variety of electric, manual roll-up, fixed frame and portable projection screens with a broad array of sizes, formats and materials. Products are sold worldwide through our offices in the US, Germany, China and Taiwan. Elite Screens, Inc. is headquartered at 16410 Manning Way, Cerritos, CA 90703. For more information, please call 877-511-1211 or visit <http://www.elitescreens.com>.

Dave Rodgers  
Marketing Manager  
Elite Screens Inc.



## Versatile, Rugged Screen Provides a Touch of Elegance

**CERRITOS, Calif., November 16, 2008** — Elite Screens, Inc. an innovative company that specializes in affordable high quality projector screens, today announced its Quickstand series of professional-grade fixed frame projection screens with added drape kits. Elite's Quickstand screen has a lightweight, strong collapsible

frame that requires no tools for quick assembly or take-down. The new drape kit feature gives the aesthetic charm of a well formatted and more professional video presentation.



“Our Quickstand is available in a wide variety of sizes and materials, so you can use it in a lot of different rooms or applications,” said David Rodgers, marketing manager, Elite Screens, Inc. “It’s a perfect solution when your presentation needs or environments change.

Quickstand’s new design now comes with projection surfaces in either 4:3 NTSC or 16:9 HDTV aspect ratios. Additional features include sturdy sealed-edge snap attachments and reinforced mounting handles for the rigors of everyday use. Screen sizes range from 84-inches to 200-inches diagonal in

either front- or rear-projection material to accommodate small or large audiences in any presentation arrangement. The adjustable frame height settings can be raised or lowered in eight-inch increments to maximize surface visibility. Each unit comes with its own aluminum stage traveling case.

“Our customers asked for drape kits to accompany our front/rear projection screens and we’re glad we can fit their need,” added Rodgers.

### Pricing, Availability, Warranty

Pricing for Elite’s Quickstand Screen starts at \$978 and are now available for the holiday season through retail, Internet, professional AV and systems integrator channels. Quickstand screens come with Elite’s two-year manufacturer’s limited warranty, which is twice the industry standard.

### About Elite Screens, Inc.

Elite Screens Inc. is a California-based company founded in 2004 by manufacturing veterans from the AV/IT/Custom industry. We specialize in commercial and home-theater projection screens for the retail and custom install sales channels. We produce a wide variety of electric, manual roll-up, fixed frame and portable projection screens with a broad array of sizes, formats and materials. Products are sold worldwide through our offices in the US, Germany, China and Taiwan. Elite Screens, Inc. is headquartered at 16410 Manning Way, Cerritos, CA 90703. For more information, please call 877-511-1211 or visit <http://www.elitescreens.com>.

Dave Rodgers  
Marketing Manager  
Elite Screens Inc.



# Press Release

Elite Screens Inc. announces StarBright™ WhiteBoardScreen™ for Classrooms and Boardrooms

## New Material Eliminates Need for Ambient Light Control

**CERRITOS, Calif., November 5, 2008** — Elite Screens, Inc. an innovative company that specializes in affordable, high quality projector screens, today announced its StarBright Whiteboard Screen, an innovative solution that merges its StarBright premium grade ultra-high gain reflective material with a dry erase whiteboard for classroom and boardroom presentations in environments with bright ambient light.



“We combine our Starbright4 state of the art material that uses specialized layers that maximize light reflectivity with a dry-erase surface and the results are incredible,” said David Rodgers, marketing manager, Elite Screens, Inc. “Starbright4 means that it has a 4-gain reflectivity that will work well with or without ambient light. The image rivals a flat panel display in terms of brightness and clarity, and the presenter can even write over it while lecturing.”

Elite’s StarBright Whiteboard users save space and money because the screen combines both a projection screen and a classroom writing board into one product thus eliminating the need for two separate items. Just like any educational whiteboard, StarBright4 material has a dust resistant dry erase surface. For a wide range of application choices, Elite’s StarBright Whiteboard Screen comes in a standard class writing board format as well as 4:3 and 16:9 projection screen aspect ratios with sizes ranging from 60 to 106 inches.

Elite’s StarBright4 projection material has a brightness level four times greater than a standard matte white projection surface. It uses a multi-layered design that concentrates reflected light to create a bright image. The screen’s layers diffuse a projector’s intensity to control hot-spotting which is a difficult task in all high gain materials and it eliminates the wash-out effect by filtering out ambient light to provide a clear picture. These layers rest on a primed sheet of galvanized steel for total flatness and magnetic attraction, which is useful when writing references on the screen and using magnetic reference points during a lecture.

“Now teachers and audience members don’t have to turn the lights off to see the projection screen, and they can make a presentation more powerful by writing or highlighting directly on it,” added Rodgers. “Plus, it is a lot easier to take notes since you’re not sitting in the dark during the presentation.”

### Pricing, Availability, Warranty

Pricing for Elite’s StartBright Whiteboard Screen starts at \$399 and will be available in December 2008 through retail, Internet, professional AV and systems integrator channels. It comes with Elite’s two-year manufacturer’s limited warranty, which is twice the industry standard.

### About Elite Screens, Inc.

Elite Screens Inc. is a California-based company that specializes in affordable high quality commercial and home theater projection screens. Our facilities located in The US, Germany, Taiwan and China provide a wide variety of electric, manual roll-up and fixed frame screens with a broad array of sizes, formats and materials. Products are sold through authorized distributors, resellers, retailers and system integrators worldwide. The International corporate headquarters for Elite Screens, Inc. is located at 16410 Manning Way, Cerritos, CA 90703. For more information, please call 877-511-1211 or visit <http://www.elitescreens.com>.

Dave Rodgers  
Marketing Manager  
Elite Screens Inc.



**CERRITOS, Calif., June 18, 2008** — Elite Screens, Inc. an innovative company that specializes in affordable high quality projector screens, today announced the Kestrel projection screen. It is a premium grade mobile electric floor-rising screen designed for executive presentations, formal functions or residential home theater rooms that require a flexible alternative to fixed wall or ceiling-mounted installations.



“Our new Kestrel screen fuses high tech convenience with superior quality materials,” said David Rodgers, marketing manager, Elite Screens, Inc. “Its precise mechanism makes it rise with a smooth and flawless action with the touch of a button.”

Elite’s Kestrel measures 84 or 100 inches diagonally in either a 4:3 or 16:9 aspect ratio and has a stylish piano gloss finish that combines its aesthetic appeal with the functional portability of its plug and play design. It’s available with Elite’s MaxWhite FG fiberglass-backed material to provide a flat and easily visible surface in 1.1 Gain.

The screen’s mechanized cross-rising apparatus is driven by a tubular motor that has a superior weight tolerance and operational lifespan over synchronized motors used in other models. Its variable height settings accommodate virtually any presentation environment.

Elite’s Kestrel provides a wide variety of control options for increase flexibility. Each unit has a built in 5-12V trigger for drop/rise synchronization with the projector’s power cycle along with Infrared and Radio Frequency (RF) receivers for a complete wireless operational package. Both an RF remote and a ZR800D IR universal learning remote are included. The RF remote provides a superior range of wireless operation without the need for line-of-sight contact. The ZR800D IR universal learning remote allows simultaneous screen operation with up to eight different media devices so users can easily and quickly manipulate video and media sources.

### **Pricing, Availability, Warranty**

Elite Screens’ Kestrel is priced at \$2199 and will be available in June through retail, internet, professional AV and systems integrator channel. It comes with Elite’s two-year manufacturer’s limited warranty, which is twice the industry standard.

### **About Elite Screens, Inc.**

Elite Screens Inc. is a California-based company that specializes in affordable high quality commercial and home theater projection screens. Our production facilities located in China and Taiwan produce a wide variety of electric, manual roll-up and fixed frame screens with a broad array of sizes, formats and materials. Products are sold through authorized distributors, resellers, retailers and system integrators throughout the world. Elite Screens, Inc. is located at 16410 Manning Way, Cerritos, CA 90703. For more information, please call 877-511-1211 or visit <http://www.elitescreens.com>.

# Press Release

Elite Screens, Inc. expands into Europe with  
Elite Screens GmbH

**CERRITOS, Calif., May 13, 2008** — Elite Screens, Inc. an innovative company that specializes in affordable high quality projector screens, today announced its European expansion with the formation of Elite Screens Europe GmbH, located in Hamburg, Germany. Elite Screens' new facility is the sales, marketing, logistics and service location for Europe.



“As projector sales grow in Europe, so does the need for high quality, low cost projection screens,” said Jeff Chen, president and founder of Elite Screens, Inc. “We’re excited to offer our American projection industry knowledge and brand name products to this market.”

As managing director of Elite Screens Europe, Erik Schuldt brings seven years of experience in the audio/visual industry, and is responsible for building the company in sales, marketing, customer service and logistics functions throughout Europe. His mission is to provide quality projection screens with immediate availability and excellent customer service that Elite Screens is known for in America. He previously helped build BenQ to its leading position in market share in Germany and Austria, and served as a senior product manager, displays and projectors, for BenQ.

Elite Screens, Inc. understands that in the past, projection screens had to be custom ordered, which took time to individually produce and ship, resulting in high costs. Elite instead offers mainstream projection screens with comparable quality in standard sizes at reasonable prices in America and has had great success in doing so. With its methods perfected, Elite Screens is now looking forward to reaching the European AV marketplace.

“You can get a fantastic 1080p projector for under \$4000, so why would you want to spend \$5000 for a screen?” Chen said. “You can buy an Elite Screen for \$500 that suits the most exacting presentation and video needs.”

Elite’s expertise is in a total product offering that include screen material, mechanical design, reliability, ease-of-use, excellent customer service and reasonable pricing. They also boast a two-year warranty on all of their products, twice the industry standard. “We promise our quality by standing behind our products with a long warranty,” added Chen.

## **About Elite Screens, Inc.**

Elite Screens Inc. is a California-based company with satellite offices in Europe and Asia. Elite specializes in affordable high quality commercial and home theater projection screens. Our R&D facility in Taiwan provides the latest designs to our production facility in China to make a wide variety of electric, manual roll-up and fixed frame screens with a broad array of sizes, formats and materials. Products are sold through authorized distributors, resellers, retailers and system integrators throughout the world. Elite Screens, Inc. is located at 16410 Manning Way, Cerritos, CA 90703. For more information, please call 877-511-1211 or visit <http://www.elitescreens.com>.



**CERRITOS, Calif., May 13, 2008** — In its desire to give their customers exactly what they want, Elite Screens, Inc. an innovative company that specializes in affordable high quality projector screens, today announced a custom-ordering option for its entire product line. Using a simple-to-use online order form at <http://www.elitescreens.com/csr>, customers can choose a specific projection screen style; casing color scheme; screen material, size and masking dimensions. There are even voltage preferences for domestic and international specifications. The form is then emailed, faxed or mailed to Elite Screens for a complete delivery turnaround within sixty days of receipt.

“Although Elite Screens is known for its standard sizes, we want to meet all of our customers’ needs, so we have added custom options,” said David Rodgers, marketing manager, Elite Screens, Inc. “It’s a bold step for us to now compete directly with custom manufacturers, and we’re prepared for it.

Elite’s products are supported by excellent customer service; all screens carry a two-year minimum warranty, which is twice the industry standard; they offer 24/7 online claim status tracking and live American-based customer service representatives.

Elite’s new custom-sized products are competitively priced and in the same range as its standard inventory prices.

“Elite Screens is a fast-growing company that serves its customers in America, Europe and Asia,” said Jeff Chen, president and founder of Elite Screens, Inc.

“Offering customized screens is just one way we’re meeting the needs of system integrators and end-users alike. Look for more announcements from us in the future.

### **About Elite Screens, Inc.**

Elite Screens, Inc. is a California-based company that specializes in affordable high quality commercial and home theater projection screens; Elite Screens Europe GmbH serves the European market; Elite Screens China Ltd. serves Asia; and Elite Screens R&D Ltd is a research and development facility for our worldwide companies. Our production facilities located in China and Taiwan produce a wide variety of electric, manual roll-up and fixed frame screens with a broad array of sizes, formats and materials. Products are sold through authorized distributors, resellers, retailers and system integrators throughout the world. Elite Screens, Inc. is located at 16410 Manning Way, Cerritos, CA 90703. For more information, please call 877-511-1211 or visit <http://www.elitescreens.com>.



# Solutions For The Ideal Home Theater Experience

2.35:1 Widescreen Format Projection Screens by Elite Screens



With today's advancements in anamorphic technology, a widescreen projection array pushes the home theater experience to another level in cinematic wonder. Elite Screens offers an extensive selection of electric and fixed frame projection screens in a 2.35:1 Widescreen aspect ratio for wall, ceiling, in-ceiling, and free-standing applications. Elite Screens, Get the BIG picture.

- Full remote control kit on all electric models
- Velvet covered frame borders on fixed frame models
- Installation friendly mount kit
- 2-Year Warranty



Lunette Series



Cinema235 Series



CineTension2 Series



Kestrel/Kestrel Tension Series



Osprey Tension Dual Series



Evanescence Tension Series







**Our Customer Compliments Have Been Overwhelming.  
Let Our Projection Screens Complete Your Media Room  
Project This Holiday Season.**



WWW.ELITESCREENS.COM

Elite Screens Inc | Elite Screens Europe GMBH | Elite Screens France S.A.S | Elite Screens China Corp. | Elite Screens R&D Taiwan Ltd.







2<sup>nd</sup> GRADE

TEST REVIEW

$5 \times 2 = 10$

$1 \times 9 = 9$

$2 + 6 = 8$

$6 + 1 = 7$

Introducing Elite Screens'

# WhiteBoardScreen Universal Series

## The ideal projection screen for Short Throw & Interactive Projectors

Elite's WhiteBoardScreen Universal is the ultimate presentation tool for classrooms and training facilities that fuses whiteboard and projection screen into one easy to use product.

The material is professionally engineered to perform on the same level of quality as a home theater projection screen with superb color neutrality, wide diffusion uniformity and no hot spotting or glare. With cost being essential in today's commercial marketplace, Elite offers an excellent product that is aggressively priced without sacrificing the essential features that all high quality projection screens should continue to have.

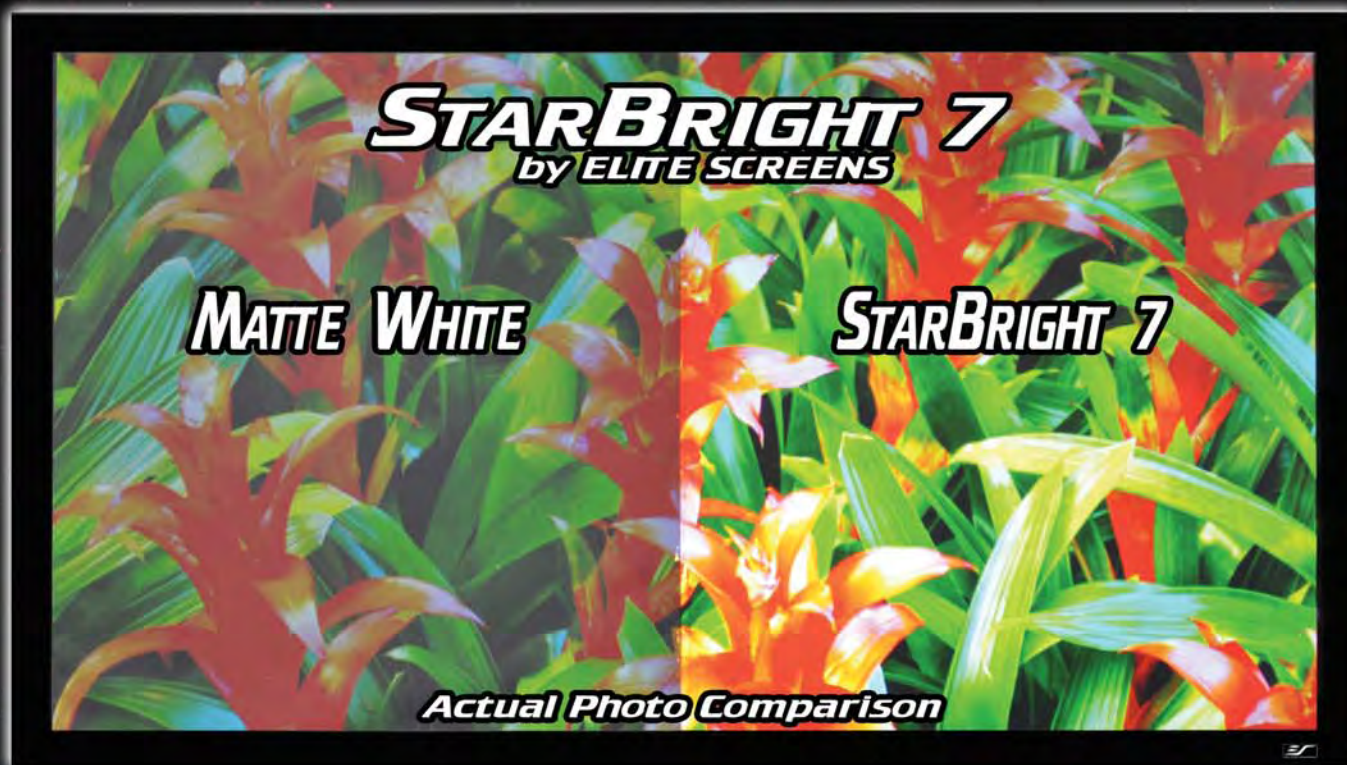
- For classroom and training facilities
- Ideal for short-throw and interactive projectors
- Material is precision crafted to eliminate glare while enhancing a color reproduction
- Elite's 5% GEMR (Government, Education, Military and Religious organization ) discount program available
- 2-year manufacturer warranty

Model	Nominal Diagonal	View Height (in)	View Width (in)
WB58VW	58" (4:3)	34.3	45.7
WB77VW	77" (4:3)	45.7	60.9
WB87XW	87" (16:10)	45.7	73.1
WB94HW	94" (16:9)	45.7	81.2





# STARLIGHT...STARBRIGHT... EVEN WITH AMBIENT LIGHT.



WINNER OF THE WFX 2008 AWARD FOR BEST PROJECTION SCREEN. STARBRIGHT™ 7 IS IDEAL FOR PRESENTATIONS WITH A HIGH PRESENCE OF AMBIENT LIGHT

- 7-Gain angular reflective material
- Multi-layer format promotes brightness with contrast
- Sizes range from 76"-206"
- Choose from 4:3, 16:9 and 16:10 aspect ratios

**See the difference**



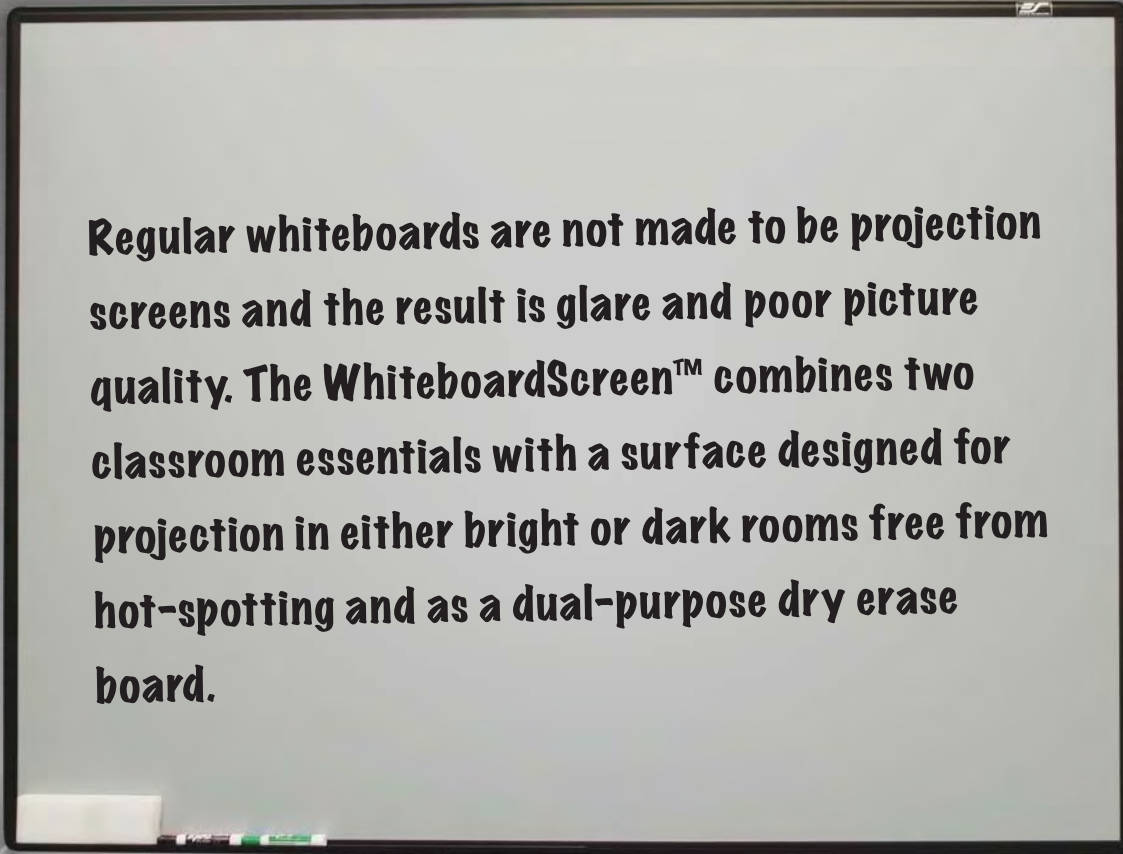
Elite Screens StarBright™ Screen

Standard Matte White Screen





# WHITEBOARD + PROJECTION SCREEN A 2-IN-1 PRESENTATION SOLUTION



Dry Erase White Board

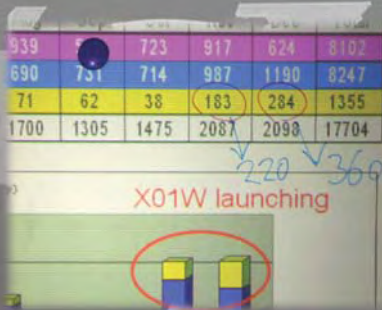


Lights On Presentation



Projection Screen

- Engineered to counter the effects of glare or “hot-spotting” which is encountered by regular dry-erase boards.
- High (4) gain projection surface has superior image reproduction in either dark or bright lighting
- Available sizes of 60” (36”x48”), 80” (48”x64”) and 96” (47”x84”) are in stock for immediate distribution



WhiteBoard + Projection Screen = WhiteboardScreen™



4.0 Gain material enhances projected image quality



Ideal for classroom/boardroom presentations



ELITE SCREENS

[www.elitescreens.com](http://www.elitescreens.com)



CES 2010 Booth# 21562 • Las Vegas, NV





# Unparalleled Freedom in a Professional Installation



The Kestrel Series and Raptor (Module) Series electric free-standing projection screens appear and disappear at the touch of a button. Since it is neither wall or ceiling-mounted, its placement options are virtually limitless.



*Kestrel Series*



*Raptor Module Series*

*Raptor Series*

Elite's Kestrel Series and Raptor (Module) Series of free-standing projection screens provide installers with the complete freedom to redefine a media room's projection array. Design options range from low-profile units to modular components designed for structural or furniture integration. The Kestrel Series and Raptor (Module) Series designs completely break from the traditional methods of wall or ceiling installation. This means that there are virtually limitless options in media room placement allowing a large screen to emerge from a small floor unit or a media stand. Its "wow"-factor is apparent when its big-screen profile appears from out of nowhere.



[www.elitescreens.com](http://www.elitescreens.com)





INTRODUCING THE NEW  
**VMAX PLUS4**  
*BY ELITE SCREENS*



**PERFECTLY SEAMLESS PROJECTION SCREENS  
UP TO 380"**



# VMAX PLUS4

180"-400" EXTRA-LARGE COMMERCIAL ELECTRIC PROJECTION SCREEN IS SEAMLESS UP TO 380". AVAILABLE IN 1:1, 4:3 (NTSC), OR 16:9 (HDTV) ASPECT RATIOS. FULL IR, RF, LOW VOLTAGE CONTROL & WIRELESS 5-12 VOLT TRIGGER FUNCTION INCLUDED. EASY ACCESS CIRCUIT BOARD AND MOTOR ALLOWS EASY IN-PLACE PRODUCT MAINTENANCE FOR A LONG OPERATIONAL LIFESPAN. SHIPS FULLY ASSEMBLED.

2-YEAR WARRANTY IS TWICE THE INDUSTRY STANDARD WHILE A 3-YEAR WARRANTY IS AVAILABLE TO GOVERNMENT, MILITARY, HOUSES OF WORSHIP AND EDUCATIONAL PURCHASES.

(877) 511-1211 - [WWW.ELITESCREENS.COM](http://WWW.ELITESCREENS.COM)



# Spotlight on Elite Screens, a Southern California-based projection screen company and its latest product lines

**Elite Screens Inc.** is a US based company with its world headquarters in Los Angeles County, California and satellite offices in China, Taiwan, Japan, Germany, and the Baltic States. Elite is an ISO9000-2001 certified manufacturer that specializes in producing **retail**, **commercial** and **home-theater** projection screens for the specific needs of these three sales channels. As a leading American screen company, we deliver our promise of awarding winning quality through cost effective products for today's discerning video enthusiasts. We produce a variety of front, rear and acoustically transparent projection screen materials for virtually any projection environment.

The Elite staff believes that when a customer gets their projection screen, it should include the full package instead of being "accessorized" for an additional cost like some of our competitors do. Elite products include what is needed to set up the screen and have it working without having to buy anything extra. There is black-backing on matte screens to eliminate light penetration, velour surfacing on the "EZ" fixed frame screens prevent glare and critical items like IR & RF wireless remotes, low voltage wall switches, RJ45 Ethernet control packages and built-in 5-12 volt trigger ports are all included.

## New products from Elite Screens:



**StarBright™ 7 series** of ultra-high (7) gain materials provide astonishing color reproduction and contrast even with the presence of ambient light.



Elite's **WhiteBoardScreen™** absorbs the glare of ambient light to provide stunning contrast and color reproduction for educational presentations while serving as a dry-erase white board.



**Kestrel Series** a free standing motorized screen is the ideal solution to having a quality disappearing projection screen where wall-ceiling installations are not practical.



**Raptor Series** (2009 Custom Retailer Excite Award winner) is a motorized floor rising screen integrated into a TV/Media stand. It is the ultimate concept in a disappearing projection screen suitable to the demands of a non-dedicated media room or executive boardroom.



**Osprey Tension Dual Series** was made for today's projectors with anamorphic stretch capabilities. It runs a pair of tab-tensioned 6:9 and 2.35:1 projection screens in tandem to suit the needs of regular television or widescreen motion pictures.

"Our commitment to excellence in award winning product quality and service has allowed us to forge strong and lasting relationships with our resellers and distributors. This ensures that Elite Screens will continue to be a prominent member of the Audio-Visual manufacturing community for many years to come. We look forward to serving you in the future."

Best Regards,  
The Elite Screens Staff





# ELITE SCREENS AWARDS

CINETENSION2 ACOUSTICPRO  
2008 EH MAGAZINE PRODUCT OF THE YEAR



KESTREL SERIES  
2008 AUDIOHOLICS CONSUMER EXCELLENCE AWARD

VMAX PLUS3  
2008 DA MAGAZINE TOP 100 PRODUCTS AWARD



OSPREY TENSION DUAL SERIES  
2009 AUDIOHOLICS CONSUMER EXCELLENCE AWARD



STARBRIGHT™ 7 MATERIAL  
2008 WFX NEW PRODUCTS AWARD



HOME2 SERIES ('07) & KESTREL SERIES ('08)  
2007-08 CUSTOM RETAILER MAGAZINE EXCITE AWARD

VERSAWHITE MATERIAL  
2010 WFX NEW PRODUCTS AWARD

EZFRAME  
2006 PROJECTORREVIEW.COM  
HOT PRODUCT AWARD



ACOUSTICPRO1080 MATERIAL  
2009 PROJECTORREVIEW.COM  
HOT PRODUCT AWARD



EZFRAME FIXED PROJECTION SCREEN  
BESTCOVERAGE BEST PROJECTION SCREEN



RAPTOR SERIES  
2009 EXCITE AWARD

OSPREY TENSION DUAL SERIES  
2009 AUDIOHOLICS CONSUMER EXCELLENCE AWARD



# Application Photos



Church



Church



Temple



Home Theater



Conference Room



Family Room

# Application Photos



Sports Room



Photo By Andrew Robinson, Filmmaker/Consumer Electronics Editor

Home Theater



Classroom



Family Room



Gym



Banquet Room



# Tradeshaw Photos



CEDIA Spring 2007 Las Vegas



CES 2008 Las Vegas



ISE 2008 Amsterdam



CES 2010 Las Vegas



InfoComm 2010 Las Vegas



CEDIA 2010 Atlanta, Georgia



# Testimonials

## **Mike Williquette, AL (US)**

Just a quick note to say WHAT A GREAT SCREEN I have from Elite Screens! Our small conference room is so much better suited for presentations with our powered Elite Screen. Thank you for a great screen at a great price.

## **Don Beatty (US)**

I realize that in the customer service field you probably only get negative feedback and comments, but I'd like to buck that trend and tell you of a very positive experience I had with your company - specifically with one of your employees, Monica Del Castillo.

My wife and I purchased some equipment from Visualapex.com. It had a rebate offer associated with it. We purchased it at the last possible minute of the last possible day of the rebate, and when we went to access the rebate form(s) at the designated website, the rebate information had been removed.

We contacted, via email, your company to inquire about how we could still pursue the promised rebate and purchase the theater chair... Monica responded almost immediately and walked us through getting what we needed. When we asked about being able to purchase a second chair, she even advocated for us with upper management to make it happen.

The chairs arrived sooner than she told us and we are very please with them. Most of all, we are very pleased with Monica and the way she assisted us with our transaction. You and your company are very well represented to have her working for you! Not only should you do anything to keep her, but probably you should give her a raise or a bonus as well!

Ok, maybe that's pushing it a bit far... we just wanted you to know how pleased we are with the way we were treated and our brief interaction with your company. We wish more businesses treated their customers in this manner.

Thank you again.

## **Ken Sander, NY (US)**

The Epson PowerLite Home Cinema 1080p three-LCD projector combined with Elite's Cinetension Electric 84-inch motorized screen gave my home theater a major upgrade in '07. As a reviewer, I've had the wonderful opportunity of testing various different plasma and LCD displays, and even though most of them were quite impressive, there's nothing, nothing like watching HD shows or sports with a HD projector on a high-quality screen. You could imagine my disappointment when I had to return it.

## **Barry Billmann - Huntsville, AL (US)**

This is my second Elite screen (the old one was a 92" Elite manual pull down). I have been impressed by both, I think your screens are hands down the best available at a given price point.

## **Douglas Allen - Tucson, AZ (US)**

I am very happy with the quality and design of this screen thus far.

## **Michael Williquette - Decatur, AL (US)**

Today I received my order (from Tiger Direct) of the Elite VMAX series electric screen for our organization's conference room. You have no idea how wonderful this screen is to us! We just moved into a new office building that we purchased after four years of fund-raising. We have no debt and were excited about owning this building but we wanted a way to showcase the things that God has done for us! We are going to create a presentation DVD that will be played in the conference room for those visiting our non-profit organization. The VMAX screen is so quiet that one cannot even hear it over light talking in the room! What a treat it will be to show our presentation when it is finished on this wonderful screen.

Thank you so much for making a screen like this so affordable!

## **Dan Neely - Ames, IA**

"Colors are more vivid, gives my projector more total adjustment range for all types of viewing sources, easy install, perfectly flat surface, it itself is a beautiful site to behold on the wall of my home theater room, it says watch me!!"



**Tom Gregory - Santa Rosa, NM (USA)**

"Gentlemen, Attached is a picture of my High Contrast Gray 100" diag screen in my small senior housing apartment. When I first heard of high contrast gray, I thought someone was nuts. I have owned several motion picture theatres and always used the highest gain sound screens possible. I have been a little disappointed with the contrast of some movies like "Sound of Music" which I once ran in 70 mm. Using my Optoma HD72 projector, the picture looked washed out. I decided to give your high contrast gray screen a try and what a difference. I have never been happier. The Elite screen was easy to assemble and the screen surface is perfectly smooth for a perfect picture. If you ever need a reference from an ex exhibitor, please use my name. As far as I am concerned, Elite screens are the finest bar none".

**Art Fiermen - San Clemente, CA (US)**

"The Elite Home Series screens are an excellent value, a well thought out solution, and an attractive, motorized alternative that costs less than most companies' fixed wall screens, and definitely well below the competition's motorized offerings, well done."

**Ray Reid - Irwindale, CA (US)**

"Very knowledgeable staff, install was preformed by myself not a professional, instructions were complete as was the mounting hardware, install itself was less than 30 min. plugged it in and it worked perfectly."

**Dean Olds- Nashville, TN (US)**

"I wanted to upgrade to electric, but couldn't make sense of the \$1000 dollar screens from the other manufactures. When I came across Elite it was everything I needed at a price that couldn't be beat. I have had it in my house for a couple months now and I love it. Great style, it's quiet, and it's dependable. Absolutely the best for the money. Thanks Elite!"

**Chris Brownstead, OH (US)**

"I upgraded to the 120 inch version with a white case. the quality is great. The motor is sooo smooth and the remote works great. The mounting system with the aluminum brackets is grade A."

**Norbert Eng - Dracut, MA(US)**

"The Elite Screens HOME series motorized screen is absolutely the best price/performance screen in the market today. The mounting system is well designed, allowing easy and flexible installation. The HOME120IWH screen rolls out flat even without a tensioner. I bought it for my home theater. The high quality screen surface yields crisp images. Very friendly and knowledgeable staff. Nice job. Thanks."

**Neil, Durham NC. (US)**

"My company just purchased one of your screens, (Elite Vmax Series.) We installed it this morning, with no problems, and so far, we've been very satisfied with your product's performance".

**Stefan Helmrich (US)**

"I finally got my Elite R92H1 set up last night , and I just thought that I would write you and say howpleased I am with the product. It is built very well, and is a very high quality product. Im glad I didnt buy the draper screen. I wil definitely recomend your products to my friends. Thanks God Bless"

**Harbst Jason, ADI Distributor**

The screen we reviewed was the 92" (R92H1) CineGrey™ fixed screen.

First impression was that the screen material was a nicely finished vinyl screen. It was nice to have the "velvet" finish as a standard but the issue I have with the frame is that the top and bottom pieces are 2 pieces and therefore, there is a slight minor gap between the pieces. It is much better then some I have seen from other brand.

Assemble was easy. It took about 45 min. to assemble the screen itself.

The instructions were good and easy to follow.

The image reproduction was solid. The Grey vinyl surface did produce a clean appearance and good color tones.

For a mid- level screen, dependent on price, it is a really good choice.

**Jeff Brohman, FL**

"I just recently purchased a new projector and the seller included a new in the box 120" Cinewhite Elite EZFrame screen. I currently have a 92" Stewart Firehawk. I set up the Elite to try it and liked the image with my new DLP projector."

# Testimonials

## **Jim Tran, CA (US)**

"I just want to let you know that I am very pleased with the product I've purchased from you. I bought the 121" HDTV motorized screen model Home135IWH just before the new year and was able to show it off to my family members. They all thought that I had spent more than \$2000 on this screen and were amazed when I told them that the price was a lot less than a thousand dollar. I've done a lot of research on the Internet before deciding to buy your product. I've compared screens from Da-Lite, Draper, Stewart, and Vutec and none of them comes close to your price. In the beginning, I was very skeptical about your product because I've never heard of your company before and not only that, the screens are made in Taiwan and China. Coupled with the fact that there weren't many reviews on your products and the pricing is just too good to be true, one would naturally conclude that your product is of poor quality. Thankfully, I live in Orange county, California and was able to drive to your site and test the screen out before buying it. The craftsmanship of this product, to my surprise, is excellent! ( I guess the notion that "any products made in Taiwan or China is of poor quality" does not apply to this product.) The casing is painted in enamel white and looks very elegant. The fabric is sturdy and does not look flimsy. Originally I was looking for a tab-tensioned fabric screen but after trying out your screen I was pleased that the screen comes down flat and does not look warped at all. The screen comes with both wired wall switch and a wireless remote. I hung my screen on the ceiling and have no use for the wired wall switch. It's a good thing that I have the option not to plug in the wired wall switch otherwise I would have a wire coming out of the screen running along the ceiling and attaching to the wall. That certainly would be a sore eye! So I only use the wireless remote, which works great! I thought this review may help many of the customers out there who are shopping for a screen and was hesitant to buy your product because of the old myth that "if it's too good to be true....." I was one of those skeptical individuals, and I would not have bought your product without reading reviews from other patrons or testing it out before buying it. I was lucky enough to be able to drop by your store and have a first hand look at the product before buying it. Unfortunately, not everyone can do that and so this review is for them".

## **Martha, NC - First Baptist Church of Whitnel**

"I was asked to represent the sound and audio committee and purchase a projection system for our church. We have been using the system for about 3 weeks now and enjoy the quality and clarity of the projection screen we receive!"

## **L.B. - Colorado**

Just wanted to thank you for your wonderful products. We were looking for a "moveable" option for a home theater room (furniture gets moved around a lot in our house), and we came upon your tripod line of screens. We purchased a 120-inch one, love it, but we discovered we could also go quite a bit larger, as well. We purchased your 150-inch EZ Cinema pull-up screen and have had fun playing with it (and being in awe) all weekend. We can't get over how simple it is to use - set-up and tear-down take place literally in seconds. We appreciate the sturdiness of the case, as well - we simply leave it on the floor for now so it's ready to go again in seconds when we want to use it. Thank you again for your quality products - you have customers for life in us ! :)



# Notes

---



*ELITE SCREENS*



***ELITE SCREENS***  
**Your Projection Screen Company**