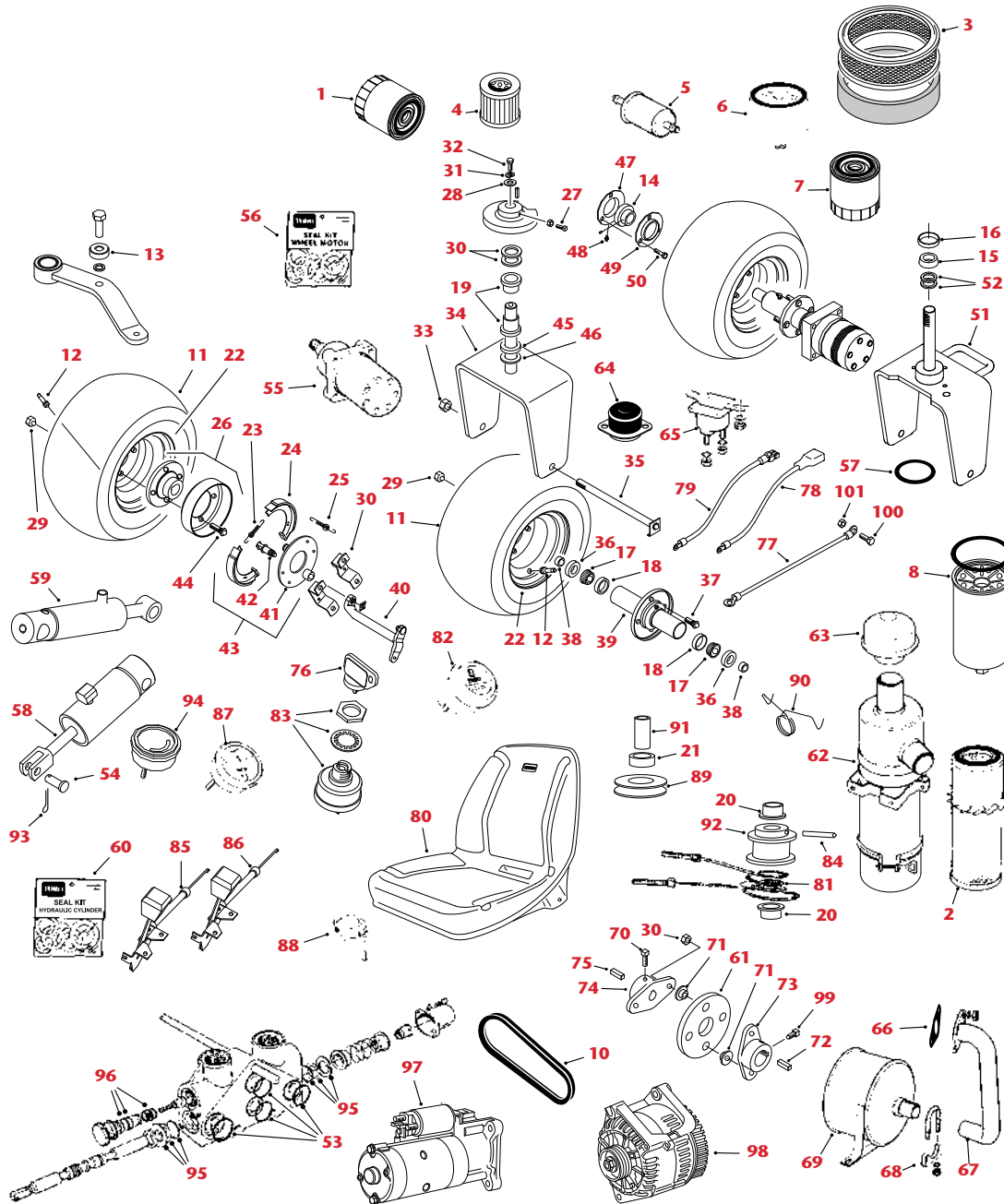


# RIDING GREENMASTERS

Greensmaster® 3/3000/3100 Series

## TRACTION UNIT PARTS



Ref. No.	Part No.	Description	Qty. Req'd.
1	67-4330	ORDER 108-3841	1
1	108-3841	FILTER - ENGINE OIL (3000D)	1
1	492932S	ORDER 107-7817	1
1	107-7817	FILTER - ENGINE OIL (3050/3100/3150)	1
2	27-7110	ORDER 108-3833	1
2	108-3833	ELEMENT - AIR CLEANER (GR 3000D)	1

NOTE: Always consult your product's Parts Catalog to ensure ordering the correct part; the part needed may not be listed herein.

**TRACTION UNIT PARTS**

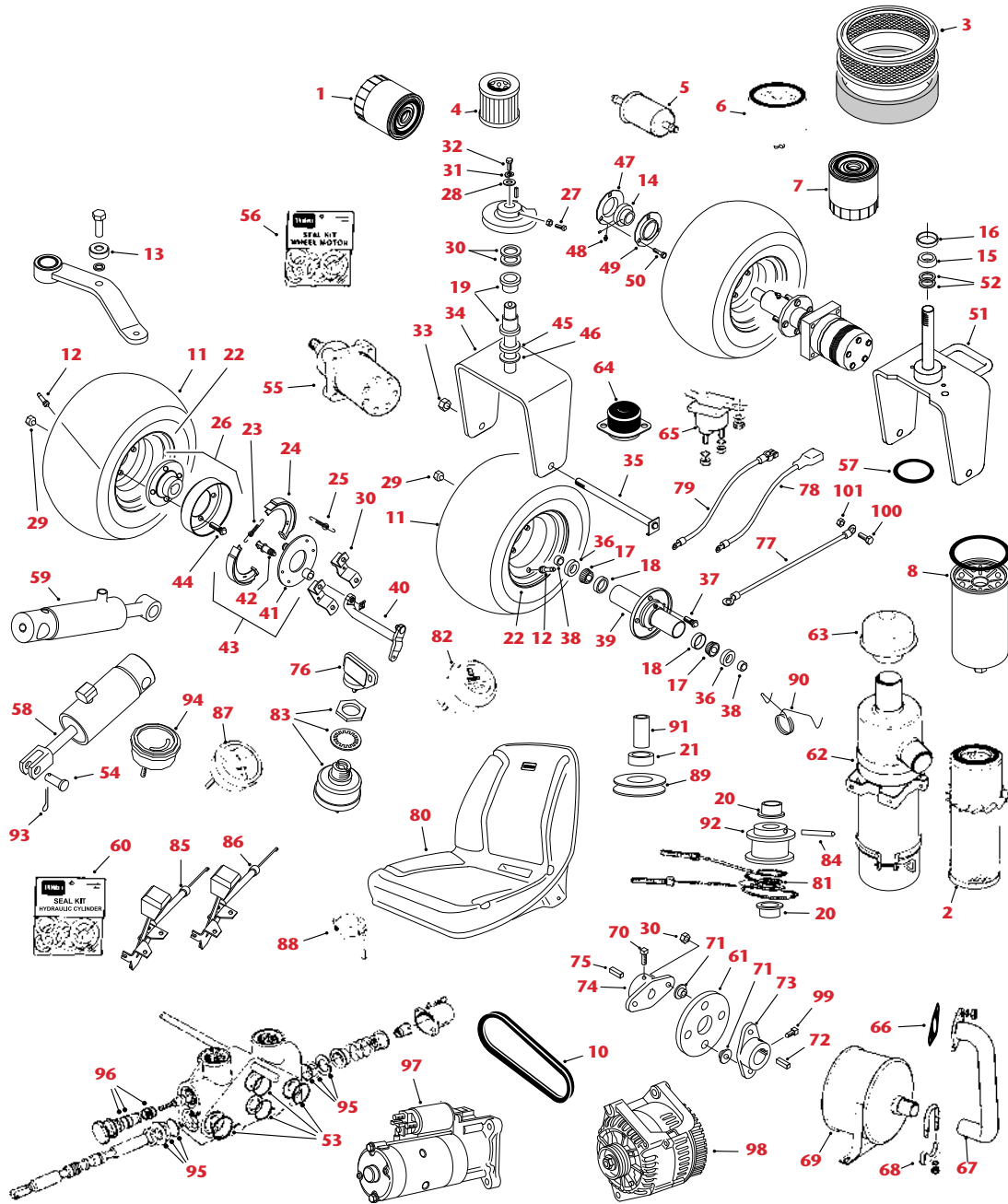
Ref. No.	Part No.	Description	Qty. Reqd.
3	92-0527	AIR FILTER ELEMENT (GR 3050/3100/3150)	1
4	43-2550	FILTER - FUEL PUMP (DIESEL)	1
5	99-9403	ORDER 108-3831	1
5	108-3831	FILTER - INLINE FUEL (3/ 300/3000)	1
5	83-1320	ORDER 94-2690	1
5	94-2690	GAS FILTER (3050, 3100, 3150)	1
6	63-8300	FILTER - WATER SEPARATOR (DIESEL)	1
7	107-9531	HYDRAULIC FILTER (GR 3150)	1
8	28-2110	ORDER 74-3570	1
8	68-9880	ORDER 74-3570	1
8	74-3570	HYDRAULIC FILTER (3, 300, 3000, 3000D, 3050, 3100)	1
*	30064**	400 Hour Filter MVP Kit (GR 3150D - 2005 & Up)	A/R
*	30016**	400 Hour Filter MVP Kit (GR 3100D - 1999-07)	A/R
*	30053**	400 Hour Filter MVP Kit (GR 3100D - 2008 & Up)	A/R
10	67-4410	V-BELT - ALTERNATOR/WATER PUMP (GR 3000D 1989-96)	1
11	231-64	ORDER 28-3680	3
11	28-3680	TIRE - FRONT & REAR (18 X 9.5 - 8) 2-PLY SMOOTH	3
11	231-127	ORDER 119-3516	3
11	119-3516	TIRE - FRONT & REAR (18 X 8.5 - 8) 4-PLY SMOOTH	3
11	70-8500	TIRE - FRONT & REAR (19 X 10.5 - 8) 2-PLY SMOOTH (3000D)	3
12	232-24	VALVE STEM	3
13	251-259	BEARING - BALL (NEUTRAL ARM - GR 3150)	1
14	251-352	BEARING	1
15	254-70	CONE - BEARING (3000D/3100)	2
16	32-8140	ORDER 254-61	2
16	254-69	ORDER 254-61	2
16	254-61	CUP - BEARING (3000D/3100)	2
17	254-78	BEARING CONE	2
18	254-79	BEARING CUP	2
19	256-290	BUSHING	2
20	256-113	BUSHING	2
21	256-2	BUSHING	4
22	217-60	RIM	3
23	215-76	RETAINING SPRING (FOR 11-1579)	2
23	70-9880	RETAINING SPRING (FOR 70-9840)	2
24	70-9840	BRAKE SHOE NON-ASBESTOS (SINGLE) (1989-91697 & UP)	4
25	215-75	HOLD DOWN SPRING (FOR 11-1579)	2
26	10-6821	BRAKE DRUM ASSEMBLY	1
27	3242-9	SCREW - SQUARE HD.	2
28	62-2190	WASHER - SPECIAL	1
29	242-50	NUT - LUG	12
30	10-8000	BRACKET - BRAKE	2
30	18-6320	WASHER	2
31	3253-4	WASHER - LOCK	1
32	322-3	SCREW - HEX HD.	1
33	3296-67	NUT	1
34	62-2220-01	CASTER FORK (88 & UP)	1
35	5-3934	BOLT - AXLE	1
35	70-8370	BOLT - AXLE (GR 3000)	1
36	253-111	SHAFT SEAL	2
37	10-6830	STUD - DRIVE	4

\*Not Illustrated \*\*See pages 7-17 for Kit contents

# RIDING GREENMASTERS

Greensmaster® 3/3000/3100 Series

## TRACTION UNIT PARTS



Ref. No.	Part No.	Description	Qty. Reqd.
38	74-3730	SPACER	2
39	75-9440	HUB - REAR AXLE	1
40	71-1510	ORDER 93-2096	2
40	93-2096	BRAKE LEVER	2
41	3-6944	ORDER 99-5652	2
*	99-5652	BRAKE AND LEVEL ASSEMBLY (INCL 40 & 43)	2

NOTE: Always consult your product's Parts Catalog to ensure ordering the correct part; the part needed may not be listed herein.

\*Not Illustrated

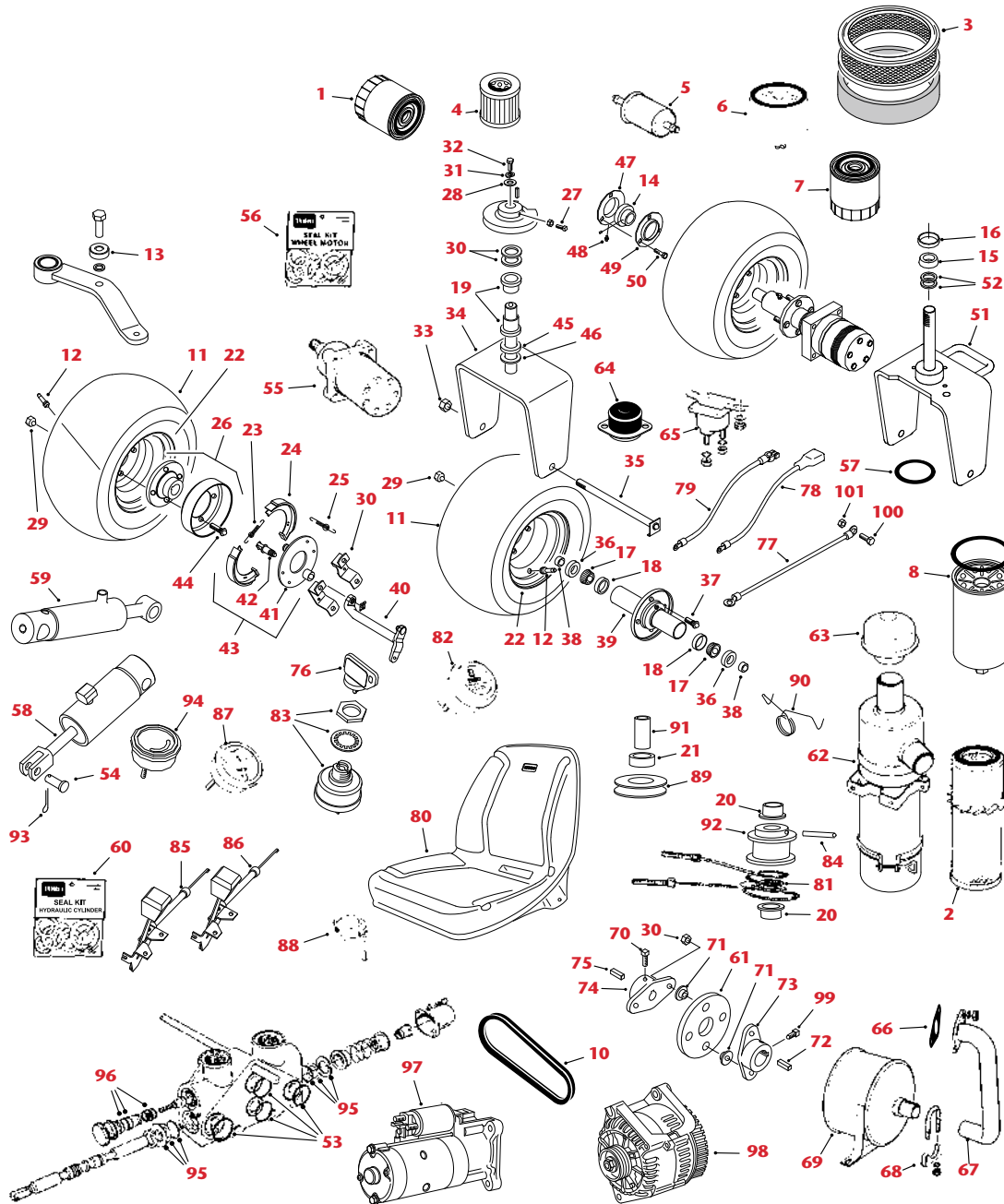
**TRACTION UNIT PARTS**

Ref. No.	Part No.	Description	Qty. Req'd.
42	215-74	BRAKE CAM ('89/OLDER)	2
42	70-9860	ORDER 104-7708	2
42	104-7708	BRAKE CAM	2
43	71-1500	ORDER 104-7705	2
43	104-7705	BRAKE ASSEMBLY (INCL #23-25, 41 & 42)	2
44	85-6540	STUD - DRIVE	8
45	237-148	SEAL - QUAD RING (GR 3000)	1
46	62-2170	WASHER - THRUST (GR 3000)	1
47	85-8940	FLANGETTE - RELUBE 3WD	1
48	302-5	GREASE FITTING	1
49	85-8950	FLANGETTE 3WD	1
50	323-10	SCREW - HEX HD	3
51	95-5952-01	CASTER FORK (3050/3100)	1
52	18-6320	WASHER	2
53	353-528	SEAL KIT - CONTROL VALVE SECTION (1971-84)	1
53	353-835	ORDER 84-2190	1
53	84-2190	SEAL KIT - CONTROL VALVE SECTION (1984 & UP)	1
54	17-3670	ORDER 283-8	3
54	283-8	PIN - CLEVIS	3
55	75-9990	HYDRAULIC WHEEL MOTOR (GR 3000/3100 1992-95)	2
55	92-9199	HYDRAULIC WHEEL MOTOR (GR 3050/3100 1995 & UP/3150)	2
56	76-0800	SEAL KIT (FOR HYDRAULIC MOTOR 75-9990)	1
56	353-461	SEAL KIT (FOR HYDRAULIC MOTOR 10-8010)	1
56	94-8178	SEAL KIT (FOR HYDRAULIC MOTOR 92-9199)	1
57	237-81	O-RING (1-1/16 SAE)	1
58	46-3690	ORDER 84-8290	2
58	51-0120	ORDER 84-8290	2
58	63-9500	ORDER 84-8290	2
58	72-9720	ORDER 84-8290	2
58	83-6820	ORDER 84-8290	2
58	84-8290	HYDRAULIC CYLINDER	2
58	99-8159	ORDER 105-3822	2
58	105-3822	HYDRAULIC CYLINDER	2
59	27-2510	ORDER 114-0626	1
59	43-5260	ORDER 114-0626	1
59	68-9700	ORDER 114-0626	1
59	74-3300	ORDER 114-0626	1
59	83-7000	ORDER 114-0626	1
59	114-0626	HYDRAULIC CYLINDER	1
59	99-8160	ORDER 105-3823	1
59	105-3823	HYDRAULIC CYLINDER (GR 3050/3100/3150)	1
60	83-7250	ORDER 86-5360	1
60	86-5360	SEAL KIT - FOR CYLINDER 83-7000	1
60	86-5390	SEAL KIT - FOR CYLINDER 63-9500/72-9720/84-8290/83-2580	1
60	105-3835	SEAL KIT - FOR CYLINDER 105-3823	1
61	27-6560	ORDER 115-4523	1
61	44-2230	ORDER 115-4523	1
61	115-4523	RUBBER COUPLING	1
62	27-7100	AIR CLEANER ASSEMBLY (GR 3000D)	1
63	27-7180	CAP ASSEMBLY (GR 3000D)	1
64	27-2150	ENGINE MOUNT (GAS UNITS ONLY)	4
64	83-1030	ENGINE MOUNT (DIESEL UNITS ONLY)	4
65	6-1600	SOLENOID (1987 & OLDER)	1
65	28-4210	SOLENOID (1988 & NEWER)	1
66	2210-118	GASKET (GR 3/300)	1

# RIDING GREENMASTERS

Greensmaster® 3/3000/3100 Series

## TRACTION UNIT PARTS



Ref. No.	Part No.	Description	Qty. Reqd.
67	10-7010-03	EXHAUST PIPE (GR 3/300)	1
68	2412-37	CLAMP - MUFFLER (GR 3/300)	1
69	36-7200	MUFFLER (GR 3/300)	1
69	62-2110	MUFFLER (GR 3000)	1
70	3241-6	SCREW - SQUARE HD SET	2

NOTE: Always consult your product's Parts Catalog to ensure ordering the correct part; the part needed may not be listed herein.

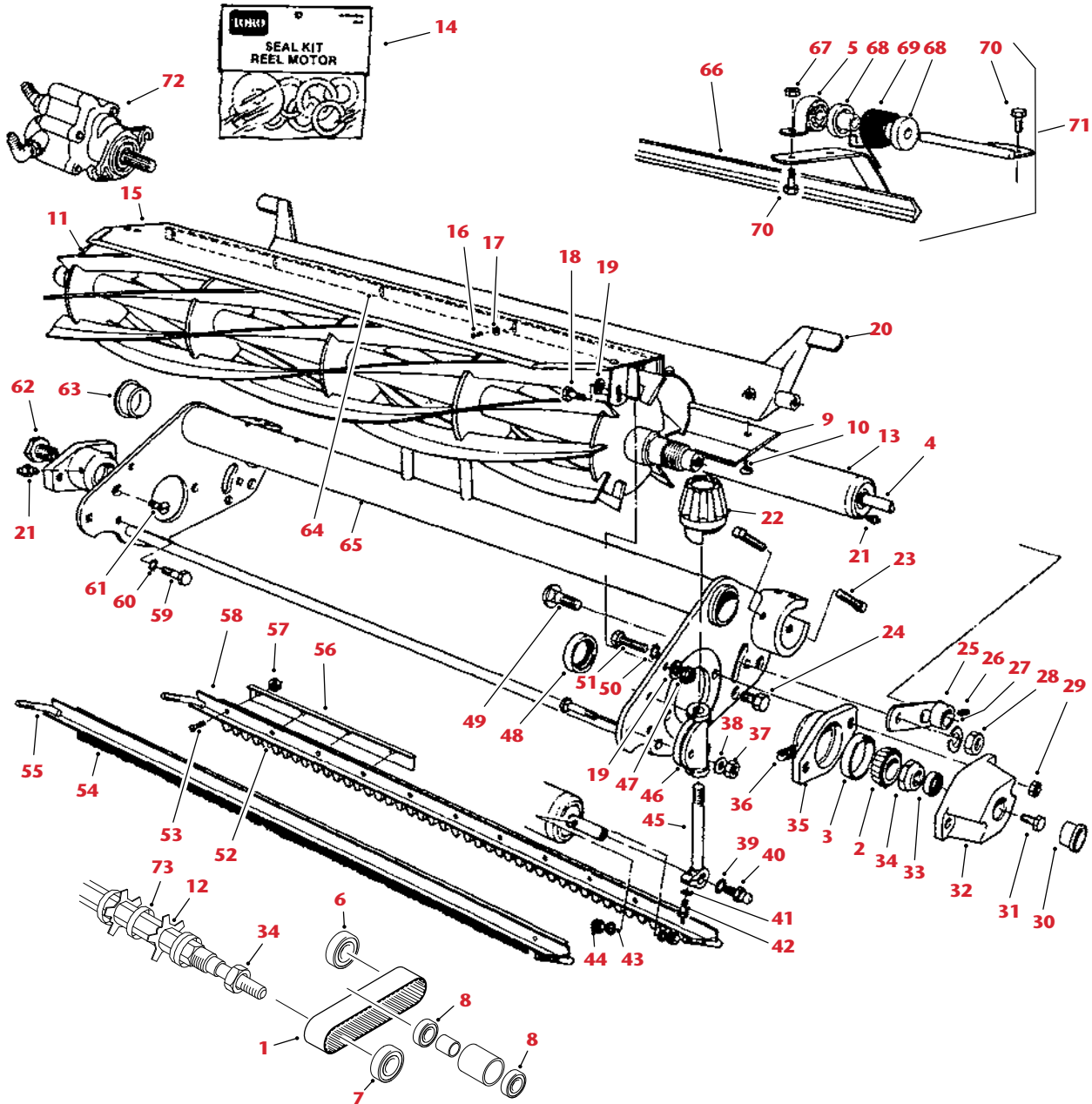
**TRACTION UNIT PARTS**

Ref. No.	Part No.	Description	Qty. Reqd.
71	27-6600	SPACER - COUPLING	4
72	10-7070	KEY - SQUARE	1
73	27-1960	ORDER 110-5236	1
73	110-5236	HUB - ENGINE	1
74	27-1970	HUB - PUMP	1
75	5-0946	KEY - SQUARE	1
76	218-412	ORDER 62-7770	1
76	62-7770	KEY - IGNITION	1
77	27-3070	CABLE - GROUND (GR 3/300/3000)	1
77	70-8220	CABLE - GROUND (GR 3000D)	1
78	83-1140	ORDER 83-2420	1
78	83-2420	CABLE - BATTERY POS (GR 3050/3100/3150)	1
79	83-1150	CABLE - BATTERY NEG (GR 3050/3100/3150)	1
80	49-8130	ORDER 104-4620	1
80	75-9190	ORDER 104-4620	1
80	92-1180	ORDER 104-4620	1
80	100-3187	SEAT (2004 and Older)	1
80	104-4620	SEAT (2005 and Newer)	1
81	10-7220	STEERING CABLE (MODEL 04327)	1
81	49-5960	STEERING CABLE (MODEL 04340/04345)	1
81	62-2180	STEERING CABLE (GR 3000)	1
81	95-5965	STEERING CABLE (GR 3050)	1
82	12-9990	HOUR METER (1992 & OLDER)	1
82	66-2950	HOUR METER (1993 & NEWER)	1
83	83-0020	STARTER SWITCH (GR 3100)	1
83	104-2541	SWITCH - KEY (GR 300/3000)	1
84	32121-34	PIN - ROLL	1
85	23-4800	THROTTLE ('83/OLDER)	1
85	49-6020	THROTTLE ('84-'87)	1
85	68-9930	THROTTLE (GR 3000)	1
85	83-0030	THROTTLE (GR 3100)	1
86	62-2130	CHOKE (GR 3000)	1
86	83-0040	CHOKE (GR 3100)	1
87	33-0990	AMMETER ('92/OLDER)	1
87	33-1010	ORDER 33-0990	1
87	83-0820	AMMETER ('93/NEWER)	1
88	92-6282	SWITCH - SEAT	1
89	5-2653	STEERING PULLEY ASSY	4
90	10-9090	SPRING - MOW-LIFT PEDAL	1
91	10-7240	SLEEVE - STEERING PULLEY	1
92	62-2160	PULLEY - STEERING	1
93	3272-10	PIN - COTTER	3
94	98-2160	VOLTMETER (GR 3050/3100)	1
95	353-515	SEAL KIT - CONTROL VALVE SPOOL (1975-84)	1
95	353-960	ORDER 12-7009	1
95	12-7009	SEAL KIT - CONTROL VALVE SPOOL (1984 & UP)	1
96	353-743	SEAL KIT - CONTROL VALVE CHECK PLUG (1975-84)	1
97	112-1350	STARTER (3000D)	1
98	67-4630	ALTERNATOR (3000D)	1
99	3241-2	SCREW - SQUARE HD SET	2
100	321-3	SCREW - HEX HD.	2
101	3217-5	NUT - HEX	2

# RIDING GREENMASTERS

Greensmaster® 3/300/3000 Style

## 4-BOLT ADJUST CUTTING UNIT PARTS



NOTE: Always consult your product's Parts Catalog to ensure ordering the correct part; the part needed may not be listed herein.

**4-BOLT ADJUST CUTTING UNIT PARTS**

Ref. No.	Part No.	Description	Qty. Reqd.
1	65-9700	BELT - GROOMER DRIVE	1
2	254-94	BEARING CONE	2
3	254-72	BEARING CUP	2
4	21-8430	ORDER 52-3180	2
4	52-3180	BEARING	2
5	256-239	BEARING	2
6	251-327	BEARING - BALL (GROOMER DRIVE CLUTCH)	1
7	251-327	BEARING - BALL (GROOMER SHAFT)	3
8	251-328	BEARING - BALL (GROOMER IDLER)	2
9	63-8610	BEDKNIFE - FAIRWAY-CUT	1
9	112-7475	BEDKNIFE FAIRWAY-CUT - EDGEMAX	1
9	94-6394	BEDKNIFE - TOURNAMENT-CUT	1
9	94-6395	BEDKNIFE - LOWCUT	1
9	94-6396	BEDKNIFE - HIGHCUT	1
10	57-4910	BEDKNIFE SCREW	7
11	12-2789	REEL - 11 BLADE	1
11	12-3599	REEL - 8 BLADE	1
11	14-0649	REEL - 8 BLADE HD	1
11	92-6318	REEL - 8 BLADE (1992-96 JAPANESE)	1
11	14-0659	REEL - 5 BLADE HD	1
*	13-3659**	Cutting Unit Overhaul MVP Kit (1985-01)	A/R
*	107-1590**	Reel Overhaul MVP Kit (1985-01)	A/R
*	107-1598**	Reel Overhaul MVP Kit (2002 & Up)	A/R
12	65-9400	BLADE - GROOMER (88 & PRIOR)	41
12	70-1170	BLADE - GROOMER (89 & UP)	41
13	21-8450	REAR FULL ROLLER ASSEMBLY	1
*	107-1588**	Swaged & Full Roller Rebuild MVP Kit	A/R
14	72-4380	ORDER 92-8863	1
14	75-1270	ORDER 92-8863	1
14	92-8863	SEAL KIT	1
14	106-6362	SEAL KIT (FOR REEL MOTOR 105-9770)	1
15	36-7190	GRASS SHIELD (79 & NEWER)	1
16	32144-73	ORDER 104-2065	5
16	104-2065	SCREW - ROUND HD	5
17	3256-14	WASHER	5
18	321-5	SCREW - CAP HEX HD	2
19	3256-22	WASHER	4
20	10-4930-01	BED BAR	1
21	302-5	GREASE FITTING	3
22	10-5040	ORDER 65-8600	2
22	65-8600	KNOB	2
23	3243-13	SCREW	4
24	217-74	BOLT	2
25	27-2650	ARM	2
26	3290-125	SET SCREW	2
27	3253-7	LOCKWASHER	2
28	3217-8	NUT	2
29	3296-39	NUT	2
30	12-0460	CAPLUG	1
31	323-2	CAPSCREW	1

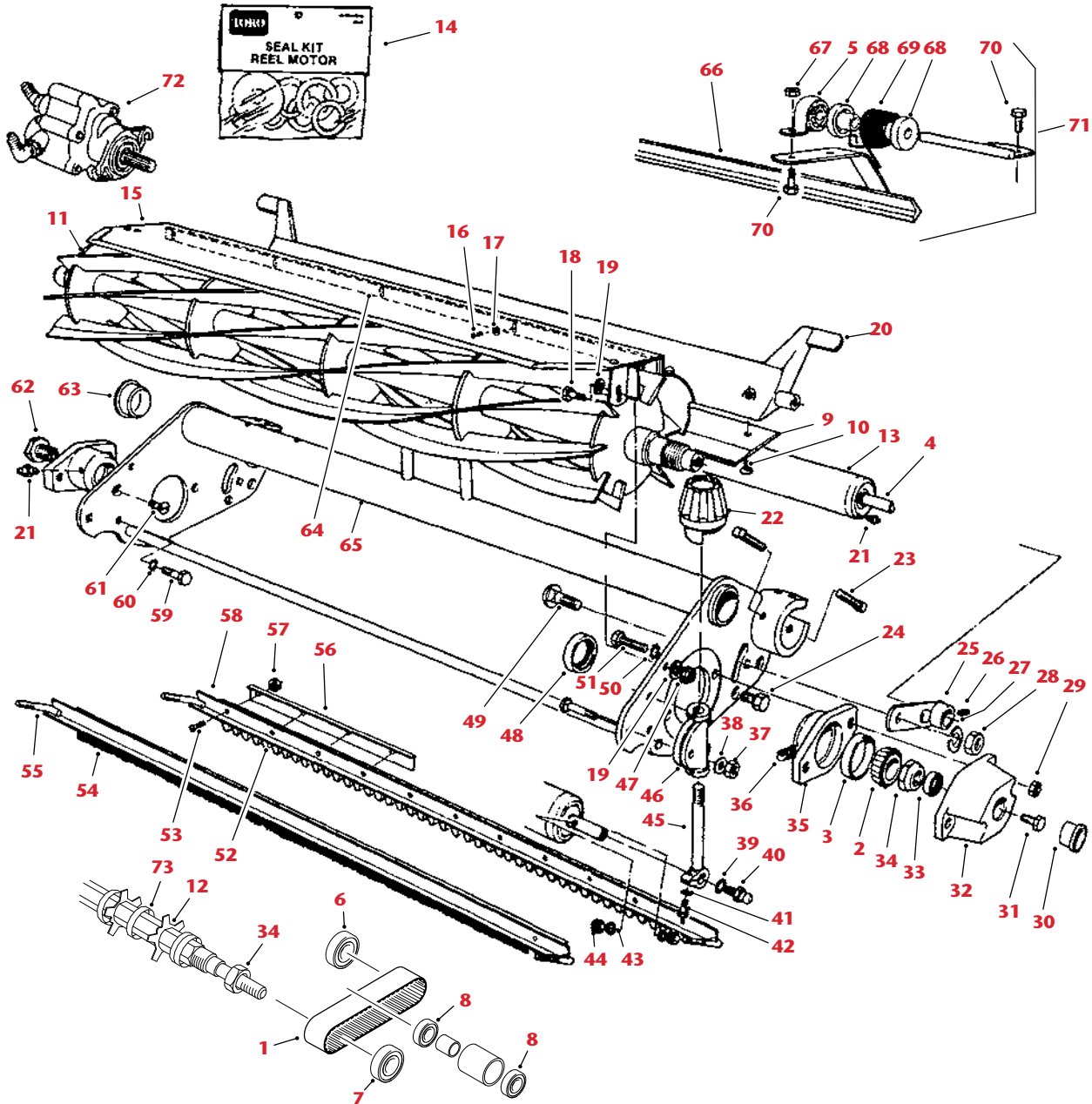
\*Not Illustrated \*\*See pages 7-17 for Kit contents



# RIDING GREENMASTERS

Greensmaster® 3/300/3000 Style

## 4-BOLT ADJUST CUTTING UNIT PARTS



NOTE: Always consult your product's Parts Catalog to ensure ordering the correct part; the part needed may not be listed herein.

**4-BOLT ADJUST CUTTING UNIT PARTS**

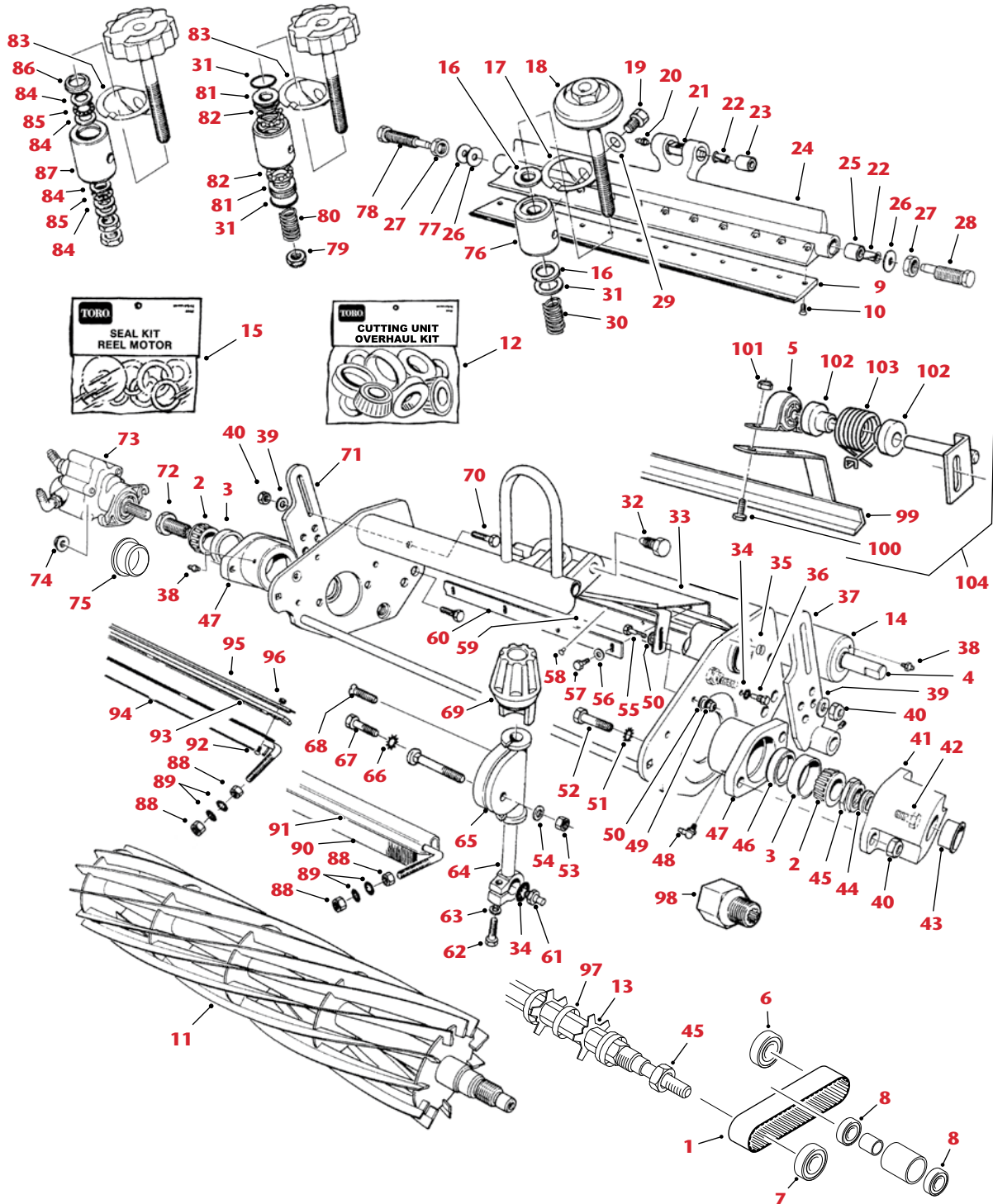
Ref. No.	Part No.	Description	Qty. Reqd.
32	10-5080-01	CAP	1
33	253-61	SEAL	1
34	32127-46	ORDER 3296-60	1
34	3296-60	NUT	1
35	104-3398	BEARING HOUSING (2002 & OLDER)	2
35	104-3399	BEARING HOUSING (2002 & UP)	2
36	302-40	ZERK	2
37	3296-29	LOCKNUT	2
38	3256-23	WASHER	2
39	3254-6	LOCKWASHER	2
40	2411-7	ORDER 94-2958	2
40	94-2958	STUD - BALL	2
41	3253-3	LOCKWASHER	2
42	321-4	CAPSCREW	2
43	3254-8	LOCKWASHER	4
44	3219-1	NUT	4
45	10-5010	ROLLER ADJUST SCREW (STANDARD REELS)	2
46	10-5060	BRACKET	2
47	3296-42	NUT - FLANGE	2
48	253-96	SEAL (2001 & OLDER)	2
48	104-3388	SEAL (2002 & UP)	2
49	3233-26	BOLT - CARRIAGE	2
50	3255-9	LOCKWASHER	4
51	3290-316	ORDER 323-19	4
51	323-19	SCREW	4
52	8-2530	URETHANE COMB	1
53	3249-3	SCREW	11
54	33-0630	BRUSH	1
55	33-1000	SCRAPER BRUSH	1
56	8-2520-01	SUPPORT COMB	1
57	3296-9	NUT	11
58	11-0070	SCRAPER COMB ASSY (INCL #52, 53, 56 & 57)	1
59	322-5	CAPSCREW	2
60	3255-8	LOCKWASHER	2
61	32108-20	SCREW	2
62	77-0340	ORDER 93-1394	1
62	93-1394	SPLINE NUT	1
63	285-14	PLUG	1
63	2410-30	CAP - PLASTIC	1
64	36-7260	CUTOFF BAR	1
65	70-1100-01	REEL FRAME	1
66	42-4800-01	BAR - SCRAPER	1
67	32152-4	NUT - LOCK	4
68	19-9560	SPACER - SPRING	4
69	19-9540	SPRING - LH	1
*	19-9550	SPRING - RH	1
70	321-3	SCREW - CAP	8
71	42-4820	REAR ROLLER SCRAPER KIT (INCL 3 SETS #5 & 66-70)	1
72	70-9800	ORDER 105-9770	1
72	94-3506	ORDER 105-9770	1
72	105-9770	REEL MOTOR ASSEMBLY (GR 3050 1997 & UP)	1
72	105-9770	REEL MOTOR ASSEMBLY (GR 3100 2003 & UP)	1
72	100-6426	ORDER 112-9200	1
72	108-6487	ORDER 112-9200	1
72	112-9200	REEL MOTOR ASSEMBLY (GR 3150 2002-05)	1
73	70-1350	SPACER - GROOMER	84

\*Not Illustrated

# RIDING GREENMASTERS

Greensmaster® 3/300/3000 Style

## SPA (Single Point Adjust) CUTTING UNIT PARTS



NOTE: Always consult your product's Parts Catalog to ensure ordering the correct part; the part needed may not be listed herein.

**SPA (Single Point Adjust) CUTTING UNIT PARTS**

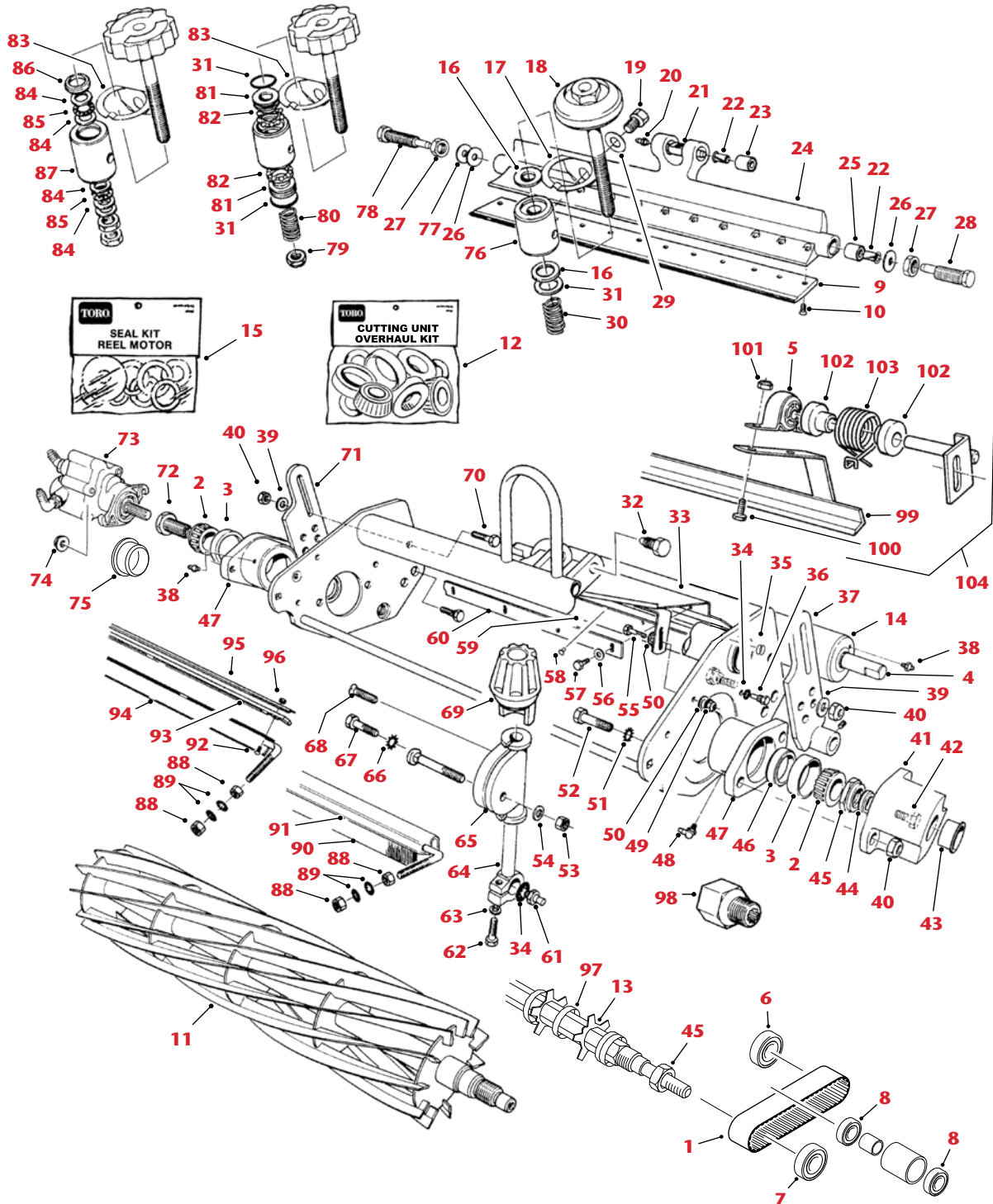
Ref. No.	Part No.	Description	Qty. Reqd.
1	65-9700	BELT - GROOMER DRIVE	1
2	254-94	BEARING CONE	2
3	254-72	BEARING CUP	2
4	21-8430	ORDER 52-3180	2
4	52-3180	BEARING	2
5	256-239	BEARING	2
6	251-327	BEARING - BALL (GROOMER DRIVE CLUTCH)	1
7	251-327	BEARING - BALL (GROOMER SHAFT)	3
8	251-328	BEARING - BALL (GROOMER IDLER)	2
9	57-4960	ORDER 63-8470	1
9	57-4970	ORDER 94-6392	1
9	57-4980	ORDER 63-8560	1
9	62-2500	ORDER 94-6392	1
9	63-8470	ORDER 93-4264	1
9	63-8560	ORDER 93-4263	1
9	63-8600	BEDKNIFE - FAIRWAY-CUT	1
9	112-7475	BEDKNIFE - FAIRWAY-CUT - EDGEMAX	1
9	93-4262	BEDKNIFE - MICRO CUT	1
9	115-1880	BEDKNIFE - MICRO CUT - EDGEMAX	1
9	93-4263	BEDKNIFE - TOURNAMENT-CUT	1
9	115-1881	BEDKNIFE - TOURNAMENT-CUT - EDGEMAX	1
9	93-4264	BEDKNIFE - LOWCUT	1
9	94-6392	BEDKNIFE - HIGHCUT	1
10	3-6462	ORDER 57-4910	13
10	57-4910	BEDKNIFE SCREW	13
11	5-3189	ORDER 12-3599	1
11	12-2789	REEL - 11 BLADE	1
11	12-3599	REEL - 8 BLADE	1
11	92-6318	REEL - 8 BLADE (1992-96 JAPANESE)	1
*	107-1590**	Reel Overhaul MVP Kit (1985-01)	A/R
*	107-1598**	Reel Overhaul MVP Kit (2002 & Up)	A/R
12	13-3659**	Cutting Unit Overhaul MVP Kit (1985-01)	A/R
13	65-9400	BLADE - GROOMER (88 & PRIOR)	41
13	70-1170	BLADE - GROOMER (89 & UP)	41
14	52-3120	REAR ROLLER ASSEMBLY	1
*	107-1589**	Swaged & Full Roller Rebuild MVP Kit	A/R
15	353-469	ORDER 92-8863	1
15	353-585	ORDER 92-8863	1
15	72-4380	ORDER 92-8863	1
15	75-1270	ORDER 92-8863	1
15	92-8863	SEAL KIT	1
15	106-6362	SEAL KIT (FOR REEL MOTOR 105-9770)	1
16	77-0350	WASHER	2
17	66-7220	SPRING ARM	1
18	77-0300-01	HANDLE ASSEMBLY	1
19	324-25	CAPSCREW	1
20	302-18	ZERK FITTING	1
21	52-2920	PIVOT - BEDBAR	1
21	57-5260	ORDER 107-7409	1
21	107-7409	PIVOT - BEDBAR	1
22	52-2890	FLANGED BUSHING	4
23	62-5510	RUBBER BUSHING	2
24	52-2780	ORDER 57-4940-01	1
24	57-4940-01	BED BAR	1
25	63-9510	RUBBER BUSHING	2
26	52-2900	WASHER - POLY	2
27	3220-6	NUT	2
28	52-2910	BOLT - ECCENTRIC LH	1

\*Not Illustrated \*\*See pages 7-17 for Kit contents

# RIDING GREENMASTERS

Greensmaster® 3/300/3000 Style

## SPA (Single Point Adjust) CUTTING UNIT PARTS



NOTE: Always consult your product's Parts Catalog to ensure ordering the correct part; the part needed may not be listed herein.

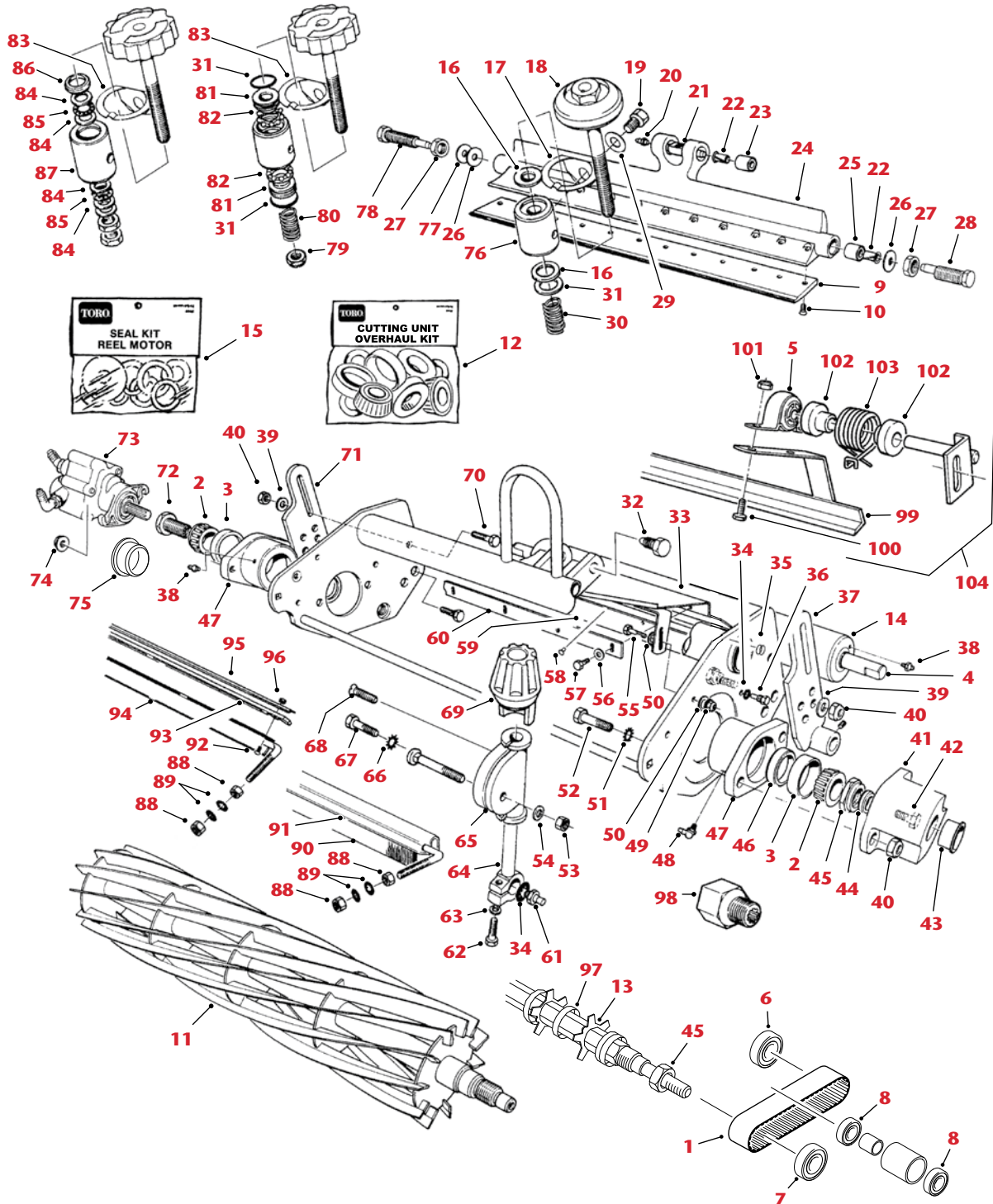
**SPA (Single Point Adjust) CUTTING UNIT PARTS**

Ref. No.	Part No.	Description	Qty. Reqd.
29	3256-24	WASHER	1
30	66-7230	COMPRESSION SPRING	1
31	237-77	O-RING	2
32	57-5190	SCREW - ADJUST (1988 PRIOR)	2
32	66-7240	SCREW - PIVOT	2
33	57-5200	GRASS SHIELD ASSEMBLY (INCL #59 & 60)	1
34	3254-6	LOCKWASHER	4
35	237-84	GROMMET	2
36	57-9910	SCREW - PIVOT	2
37	77-1080	LH HOC ADJUST	1
38	302-5	GREASE FITTING	3
39	3256-24	WASHER	4
40	3296-39	NUT	6
41	10-5080-01	CAP	1
42	323-2	CAPSCREW	1
43	12-0460	CAPLUG	1
44	253-61	SEAL	2
45	32127-46	ORDER 3296-60	1
45	3296-60	NUT	1
46	253-96	SEAL (2001 & OLDER)	2
46	104-3388	SEAL (2002 & UP)	2
47	10-5120	ORDER 104-3398	2
47	104-3398	BEARING HOUSING (2001 & OLDER)	2
47	104-3399	BEARING HOUSING (2002 & UP)	2
48	302-40	ZERK	1
49	3296-42	NUT	2
50	3256-22	WASHER	4
51	3255-9	LOCKWASHER	4
52	3290-316	ORDER 323-19	4
52	323-19	SCREW	4
53	3296-29	LOCKNUT	2
54	3256-23	WASHER	2
55	321-5	SCREW - CAP HEX HD	2
56	3256-14	WASHER	5
57	32144-73	ORDER 104-2065	5
57	104-2065	SCREW - ROUND HD	5
58	3295-46	RIVET	13
59	57-5210	FLAP	1
60	36-7260	CUTOFF BAR	1
61	2411-7	ORDER 94-2958	2
61	94-2958	STUD - BALL	2
62	321-4	CAPSCREW	2
63	3253-3	LOCKWASHER	2
64	10-5010	ADJUSTMENT SCREW (STANDARD REELS)	2
64	65-9500	ADJUSTMENT SCREW (GROOMER REELS)	2
65	10-5060	BRACKET	2
66	3255-8	LOCKWASHER	2
67	322-5	CAPSCREW	2
68	32108-20	SCREW	2
69	10-5040	ORDER 65-8600	2
69	65-8600	KNOB	2
70	323-7	CAPSCREW	2
71	77-1060	RH HOC ADJUST	1
72	77-0340	ORDER 93-1394	1
72	93-1394	SPLINE NUT	1

# RIDING GREENMASTERS

Greensmaster® 3/300/3000 Style

## SPA (Single Point Adjust) CUTTING UNIT PARTS



NOTE: Always consult your product's Parts Catalog to ensure ordering the correct part; the part needed may not be listed herein.

**SPA (Single Point Adjust) CUTTING UNIT PARTS**

Ref. No.	Part No.	Description	Qty. Reqd.
73	10-5090	ORDER 105-9770	1
73	26-5690	ORDER 105-9770	1
73	70-9800	ORDER 105-9770	1
73	94-3506	ORDER 105-9770	1
73	105-9770	REEL MOTOR ASSEMBLY (GR 3050 1997 & UP)	1
73	105-9770	REEL MOTOR ASSEMBLY (GR 3100 03 & UP)	1
73	100-6426	ORDER 112-9200	1
73	108-6487	ORDER 112-9200	1
73	112-9200	REEL MOTOR ASSEMBLY (GR 3150 2002-05)	1
74	32128-36	NUT - FLANGE	2
75	2410-30	CAP - PLASTIC	1
76	77-0330	HOUSING - PIVOT	1
77	52-2860	WASHER	1
78	52-2930	SHOULDER BOLT	1
79	3296-62	LOCKNUT	1
80	57-5270	SPRING - COMPRESSION	1
81	57-5290	BEARING	2
82	57-5280	BEARING	2
83	52-3000	ARM - SPRING	1
84	257-5	WASHER	4
85	257-6	BEARING	2
86	253-84	OIL SEAL	1
87	52-2980	HOUSING - PIVOT	1
88	3219-1	NUT	4
89	3254-8	LOCKWASHER	4
90	33-0630	BRUSH	1
91	33-1000	SCRAPER BRUSH ASSEMBLY (INCL #90)	1
92	3249-3	SCREW	11
93	8-2530	URETHANE COMB	1
94	11-0070	SCRAPER COMB ASSEMBLY (INCL #92-96)	1
95	8-2520-01	SUPPORT COMB	1
96	3296-9	NUT	11
97	70-1350	SPACER - GROOMER	84
98	77-0560	NUT - SPLINED (GROOMER MOTOR-REEL)	1
99	42-4800-01	BAR - SCRAPER	1
100	321-3	SCREW - CAP	4
101	32152-4	NUT - LOCK	4
102	19-9560	SPACER - SPRING	4
103	19-9540	SPRING - LH	1
*	19-9550	SPRING - RH	1
104	53-9240	REAR ROLLER SCRAPER KIT (INCL 3 SETS #5 & 99-103)	1

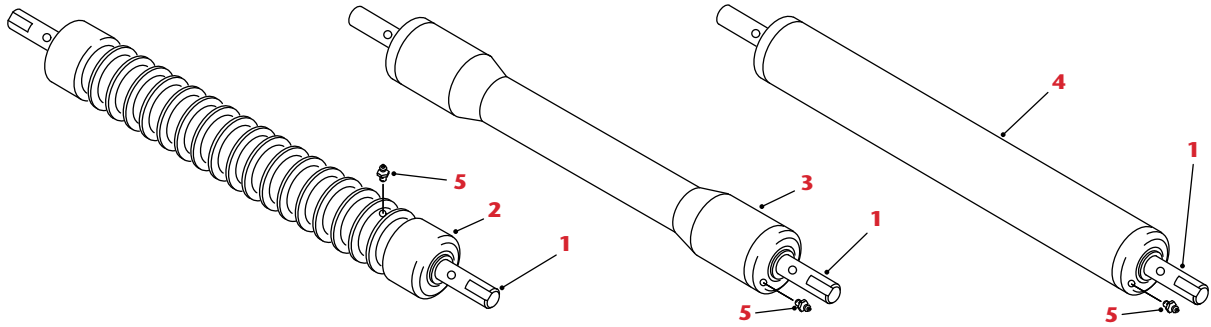
\*Not Illustrated



# RIDING GREENSMASTERS

Notes

**RIDING GREENMASTERS**  
 Greensmaster® 3/300/3000 Style  
**CUTTING UNIT FRONT ROLLER PARTS**



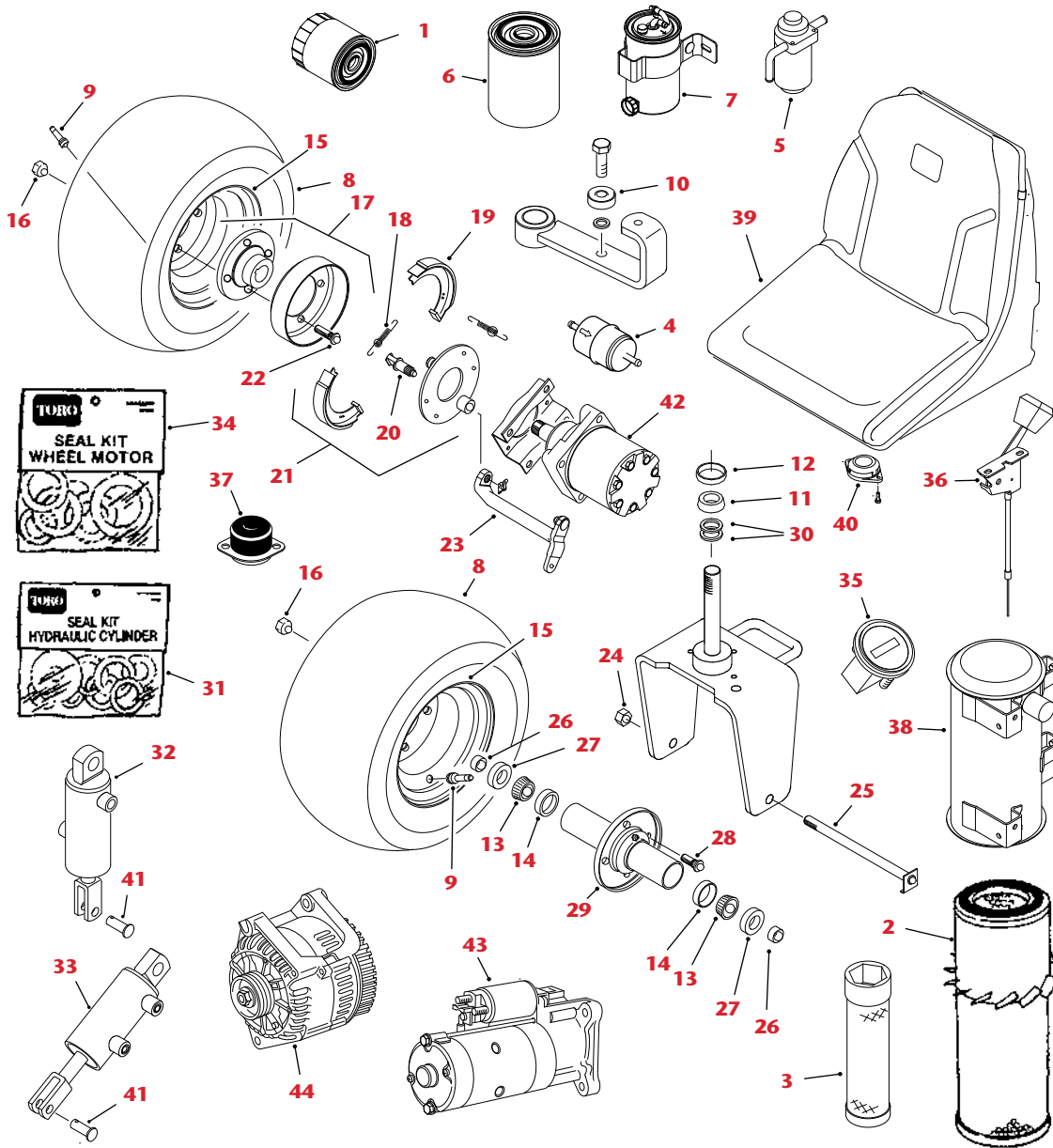
Ref. No.	Part No.	Description	Qty. Reqd.
1	21-6410	BEARING - ROLLER (WIEHLE ROLLER 21-6540)	2
1	52-3210	ORDER 52-3180	2
1	52-3180	BEARING - ROLLER	2
2	21-6540	WIEHLE ROLLER ASSEMBLY (GM3)	1
2	52-3200	WIEHLE ROLLER ASSEMBLY (1989 & OLDER)	1
2	71-1550	WIEHLE ROLLER ASSEMBLY - CAST (1990 & UP)	1
2	88-6790	WIEHLE ROLLER ASSEMBLY - ALUMINUM (1990 & UP)	1
*	<b>107-1588**</b>	<b>Roller Rebuild MVP Kit</b>	<b>A/R</b>
3	10-5000	ORDER 52-3590	1
3	21-6470	ORDER 52-3590	1
3	52-3590	SWAGED ROLLER	1
*	<b>107-1589**</b>	<b>Roller Rebuild MVP Kit</b>	<b>A/R</b>
4	21-6440	ORDER 52-3170	1
4	52-3170	FULL ROLLER ASSEMBLY	1
*	<b>107-1589**</b>	<b>Roller Rebuild MVP Kit</b>	<b>A/R</b>
5	302-5	GREASE FITTING	2

\*Not Illustrated \*\*See pages 7-17 for Kit contents

# RIDING GREENMASTERS

Greensmaster® 3200 Series

## TRACTION UNIT PARTS



NOTE: Always consult your product's Parts Catalog to ensure ordering the correct part; the part needed may not be listed herein.

**TRACTION UNIT PARTS**

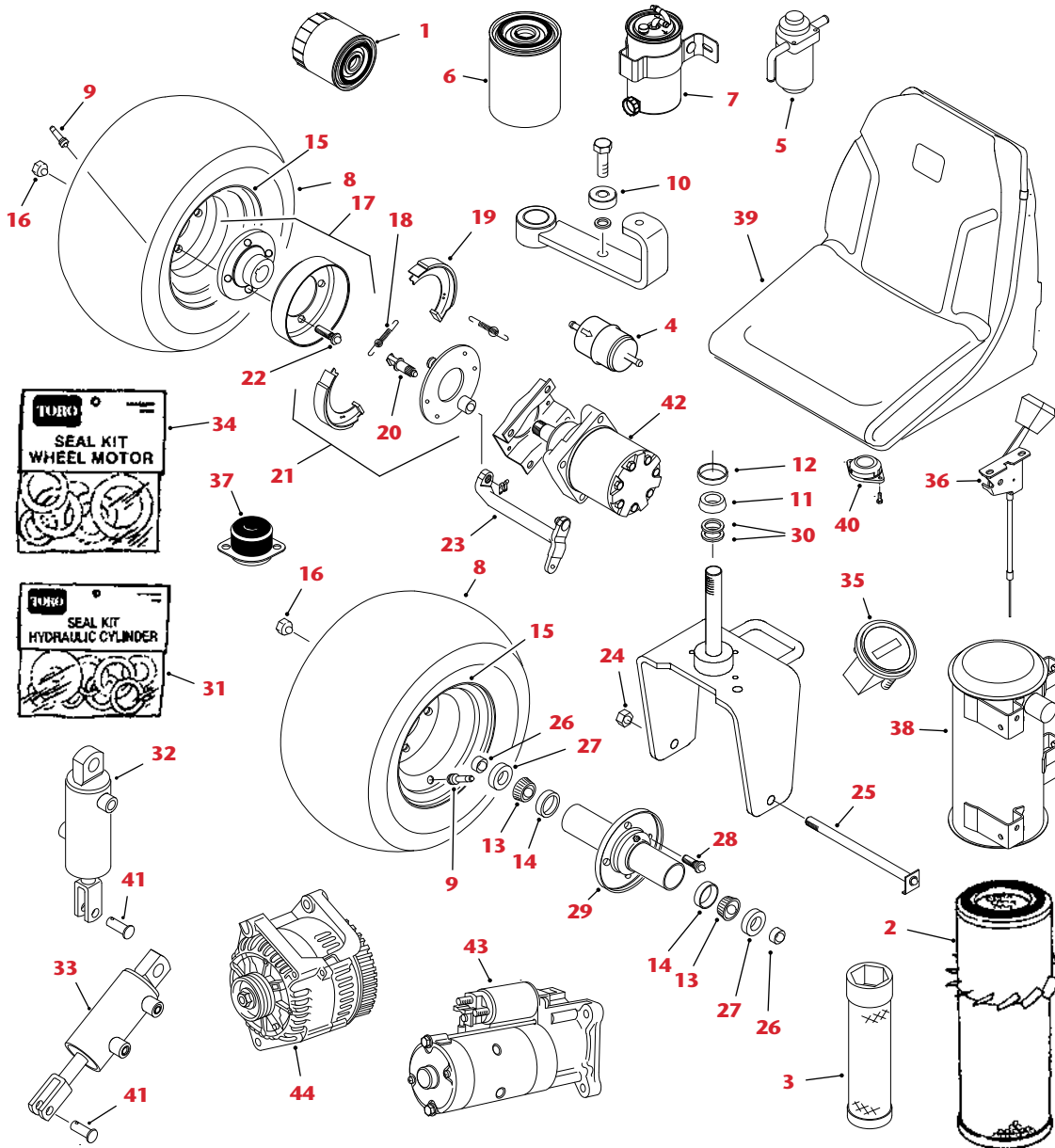
Ref. No.	Part No.	Description	Qty. Req'd.
1	85-4930	FILTER - ENGINE OIL (3200D)	1
1	99-9017	ORDER 108-3842	1
1	108-3842	FILTER - ENGINE OIL (3250D)	1
2	93-2195	ORDER 108-3811	1
2	108-3811	ELEMENT - AIR CLEANER	1
3	98-2982	SAFETY - AIR CLEANER	1
4	94-2690	FUEL FILTER (GR 3200 1995-96)	1
4	95-2926	ORDER 108-3854	1
4	108-3854	FUEL FILTER (GR 3200 1997-98)	1
5	100-3192	FUEL FILTER ELEMENT (GR 3250 (2000-2006)	1
6	75-1310	ELEMENT - HYDRAULIC FILTER (3200/3200D)	1
6	105-0438	ORDER 107-9631	1
6	107-9531	HYDRAULIC FILTER ELEMENT (GR 3250D)	1
7	110-8814	FUEL FILTER ASM (BIO-DIESEL) (3250D 2007 & UP)	1
*	112-9188	ELEMENT - FUEL FILTER (BIO-DIESEL) (3250D 2007 & UP)	1
*	112-9182	BIO-DIESEL FUEL MVP Filter Maintenance Kit (3250D)	1
*	<b>30018**</b>	<b>400 Hour Filter MVP Kit (GR 3250D - 2003-06)</b>	<b>A/R</b>
*	<b>30062**</b>	<b>400 Hour Filter MVP Kit (GR 3250D - 2006 &amp; Up)</b>	<b>A/R</b>
8	231-64	ORDER 28-3680	3
8	28-3680	TIRE - FRONT & REAR (18 X 9.5 - 8) 2-PLY SMOOTH	3
8	231-124	ORDER 231-127	3
8	231-127	ORDER 119-3516	3
8	119-3516	TIRE - FRONT & REAR (18 X 8.5 - 8) 4-PLY TRACTION	
8	70-8500	TIRE - FRONT & REAR (19 X 10.5 - 8) 2-PLY SMOOTH	3
8	99-4506	TIRE - FRONT & REAR (20 X 10 - 8) 4 PLY TURF MATE OPT.	3
9	232-24	VALVE STEM	3
10	251-259	BEARING - BALL (NEUTRAL ARM)	1
11	254-70	CONE - BEARING	2
12	254-61	CUP - BEARING	2
13	254-78	BEARING CONE	2
14	254-79	BEARING CUP	2
15	217-60	RIM	3
16	242-50	NUT - LUG	12
17	10-6821	BRAKE DRUM ASSEMBLY (INCL #22)	1
18	70-9880	RETAINING SPRING	2
19	70-9840	BRAKE SHOE NON-ASBESTOS (SINGLE SHOE)	4
20	70-9860	ORDER 104-7708	2
20	104-7708	BRAKE CAM	2
21	71-1500	ORDER 104-7705	2
21	104-7705	BRAKE ASSEMBLY (INCL #18-20)	2
22	85-6540	STUD - DRIVE	8
23	93-2096	BRAKE LEVER	2
24	3296-67	NUT	1
25	5-3934	BOLT - AXLE	1
26	74-3730	SPACER	2
27	253-111	SHAFT SEAL	2
28	10-6830	STUD - DRIVE	4
29	75-9440	HUB - REAR AXLE	1
30	18-6320	WASHER	2
31	86-5390	SEAL KIT (CYLR 93-2246/94-6357)	1
31	99-8163	SEAL KIT (CYLR 99-8157)	1
31	99-8162	SEAL KIT (CYLR 99-8158)	1
31	105-3836	SEAL KIT (CYLR 105-3820 & 105-3821)	1
32	105-3820	HYD CYLINDER ASSY	1
33	105-3821	HYD CYLINDER ASSY	1
34	94-8178	SEAL KIT (FOR HYDRAULIC MOTOR 92-9199)	1

\*Not Illustrated \*\*See pages 7-17 for Kit contents

# RIDING GREENMASTERS

Greensmaster® 3200 Series

## TRACTION UNIT PARTS



NOTE: Always consult your product's Parts Catalog to ensure ordering the correct part; the part needed may not be listed herein.

**TRACTION UNIT PARTS**

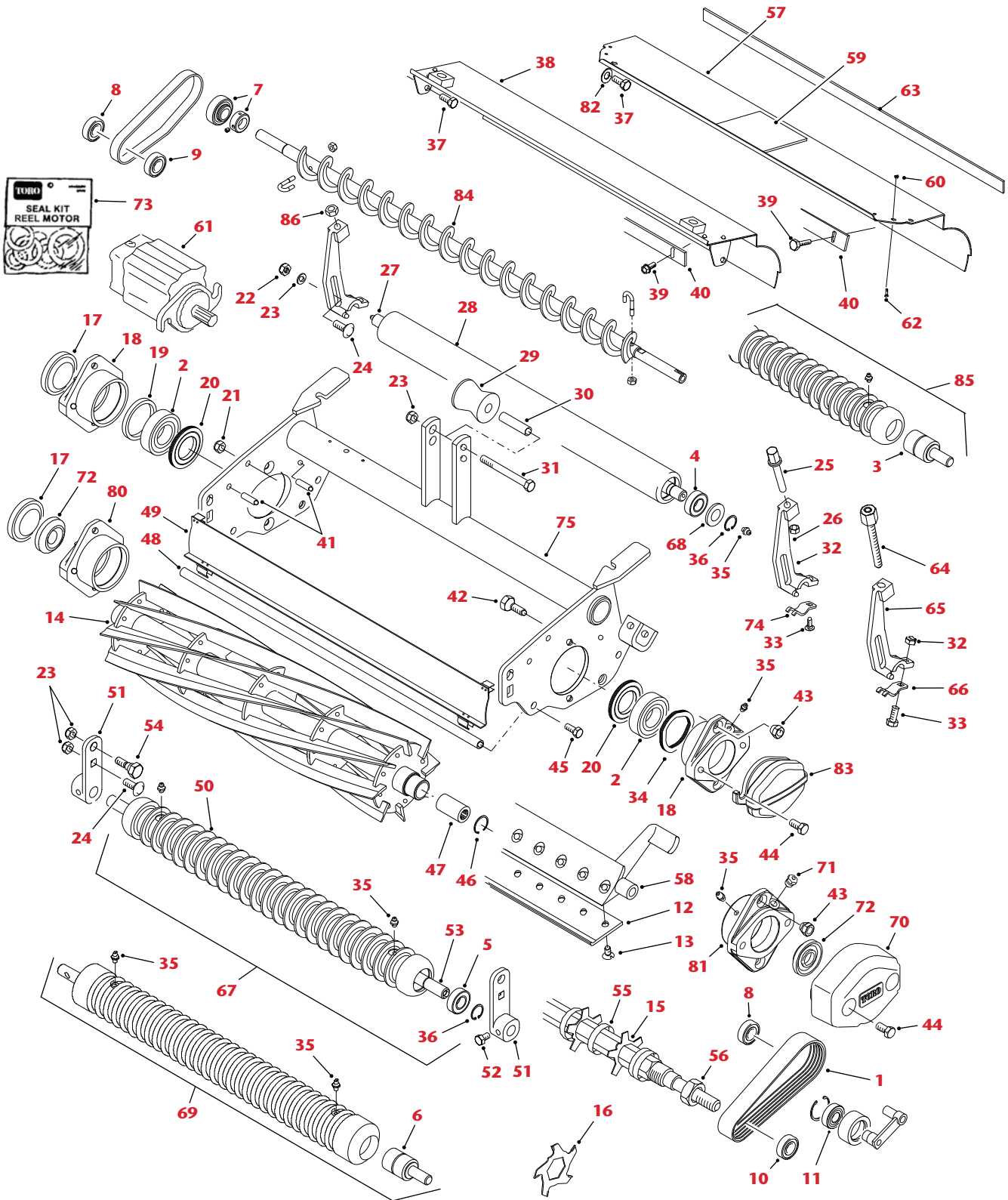
Ref. No.	Part No.	Description	Qty. Reqd.
35	66-2950	HOUR METER	1
36	93-2322	CONTROL - THROTTLE (DIESEL)	1
36	93-2329	CONTROL - CHOKE	1
36	99-8150	THROTTLE (GR 3250)	1
37	83-1030	ENGINE MOUNT	4
38	94-8153	MUFFLER	1
39	92-6280	SEAT ASSY (GR 3200)	1
39	100-3187	SEAT ASSY (GR 3250)	1
40	92-6282	SWITCH - SEAT	1
41	283-8	PIN - CLEVIS	3
42	92-9199	HYDRAULIC WHEEL MOTOR	2
43	825095***	STARTER (GR 3200)	1
43	99-9207	ORDER 110-2598	1
43	110-2598	STARTER (GR 3250D)	1
44	825084***	ALTERNATOR (GR 3200)	1
44	99-9209	ALTERNATOR (GR 3250D)	1

\*\*\* Obtain from your local Briggs &amp; Stratton dealer.

# RIDING GREENMASTERS

Greensmaster® 3200/3050 Style

## 4-BOLT ADJUST CUTTING UNIT PARTS



NOTE: Always consult your product's Parts Catalog to ensure ordering the correct part; the part needed may not be listed herein.

**4-BOLT ADJUST CUTTING UNIT PARTS**

Ref. No.	Part No.	Description	Qty. Reqd.
1	95-0728	MULTI-ROW V-BELT - GROOMER DRIVE	1
2	93-2489	BEARING (1995-01)	2
2	105-3827	BEARING (2002 & UP)	2
3	75-1290	BEARING - BALL	2
4	85-9970	BEARING	4
5	93-2559	BEARING - BALL	4
6	52-3180	BEARING - ROLLER	2
7	104-1842	BEARING (ROLLER BRUSH SHAFT)	2
8	251-336	BEARING - BALL (GROOMER & REAR ROLLER BRUSH DRIVE)	1
9	98-5215	BEARING - BALL (REAR ROLLER BRUSH DRIVE)	1
10	95-0707	BEARING - BALL (GROOMER SHAFT)	2
11	38-7820	BEARING - BALL (GROOMER IDLER)	1
12	93-4262	BEDKNIFE - MICROCUT	1
12	115-1880	BEDKNIFE - MICROCUT - EDGEMAX	1
12	93-4263	BEDKNIFE - TOURNAMENT-CUT	1
12	115-1881	BEDKNIFE - TOURNAMENT-CUT - EDGEMAX	1
12	93-4264	BEDKNIFE - LOWCUT	1
12	94-6392	BEDKNIFE - HIGHCUT	1
12	104-7720	ORDER 108-4303	1
12	108-4303	BEDKNIFE - MICROCUT EXTENDED	1
12	99-4299	ORDER 108-4302	1
12	108-4302	BEDKNIFE - TOURNAMENT-CUT EXTENDED	1
12	63-8600	BEDKNIFE - FAIRWAY-CUT	1
12	112-7475	BEDKNIFE - FAIRWAY-CUT - EDGEMAX	1
13	57-4910	SCREW - BEDKNIFE	13
14	94-4356	ORDER 94-8039	1
14	94-4357	ORDER 94-8037	1
14	94-8037	REEL - 11 BLADE	1
14	94-8039	REEL - 8 BLADE	1
14	98-2181	REEL - HD 5 BLADE	1
14	98-2182	REEL - HD 8 BLADE	1
15	95-5719	BLADE - GROOMER REEL	41
16	110-2393	BLADE - GROOMER REEL (CARBIDE TIPPED)	41
17	2410-30	CAP - PLASTIC	1
18	94-4545	ORDER 108-6538	2
18	108-6538	HOUSING - BEARING (1995-01)	2
19	94-4544	SPACER - BEARING	1
20	93-2483	ORDER 94-8908	2
20	94-8908	SEAL - GREASE	2
20	105-3824	SEAL - GREASE	2
21	33024-00	NUT - LOCK	2
22	3256-46	WASHER - FLAT	2
23	33025-00	NUT - LOCK	7
24	33125-025	SCREW - CARRIAGE	4
25	93-2523	ADJUSTER - HOC	2
26	93-2455	ORDER 99-6858	2
26	99-6858	BRACKET - HOC REAR	2
27	93-2466	SHAFT - ROLLER	1
27	95-2912	SHAFT - ROLLER	1
28	93-2465	ORDER 95-2910	1
28	93-2467	TUBE - ROLLER	1
28	95-2910	REAR FULL ROLLER ASSEMBLY	1
*	107-1593**	Roller Rebuild MVP Kit (Bearings 85-9970 - 1999-2000)	A/R
29	93-2463	ROLLER - LIFT	1
30	93-2464	SPACER - ROLLER	1

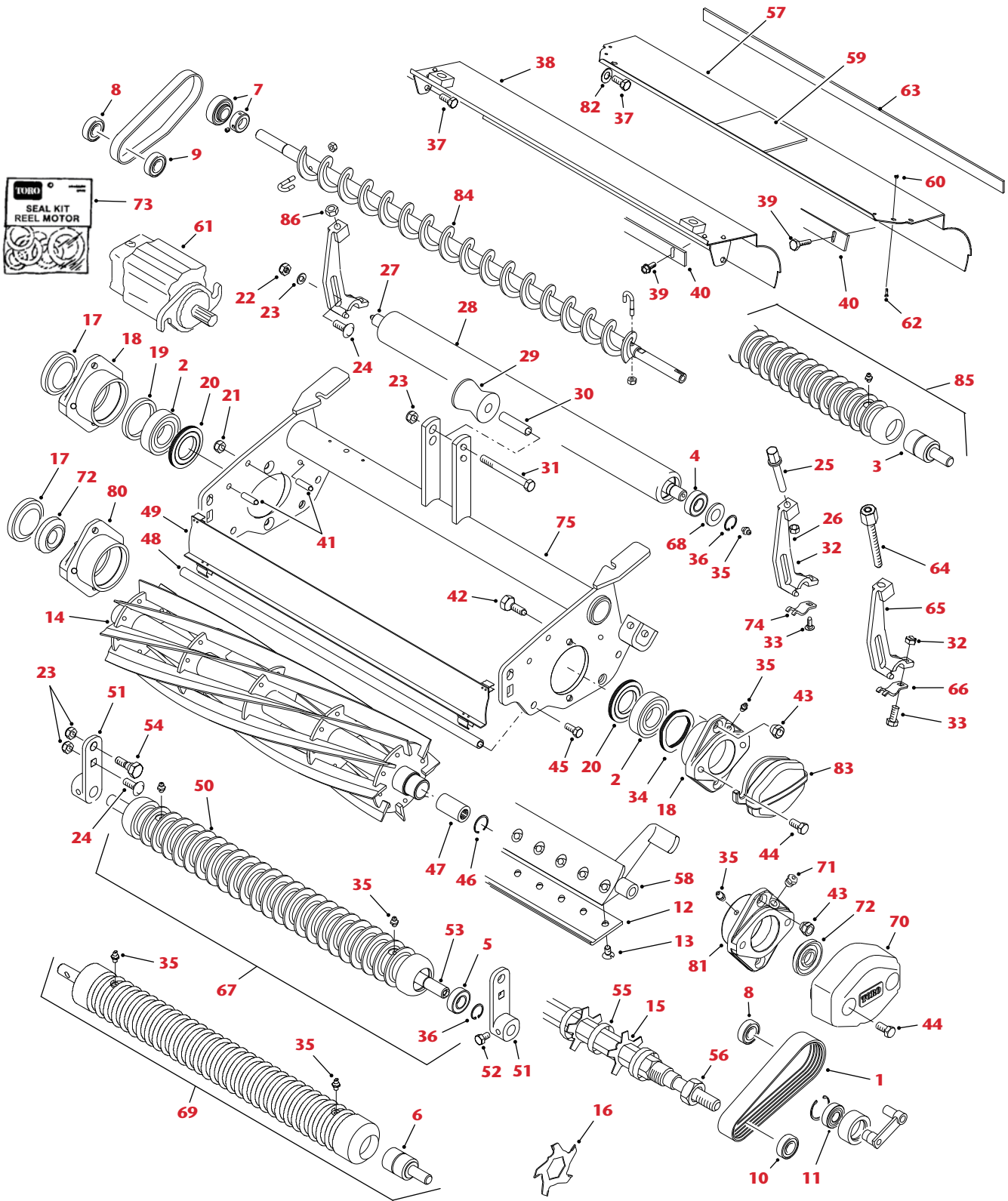
\*Not Illustrated \*\*See pages 7-17 for Kit contents



# RIDING GREENMASTERS

Greensmaster® 3200/3050 Style

## 4-BOLT ADJUST CUTTING UNIT PARTS



NOTE: Always consult your product's Parts Catalog to ensure ordering the correct part; the part needed may not be listed herein.

**4-BOLT ADJUST CUTTING UNIT PARTS**

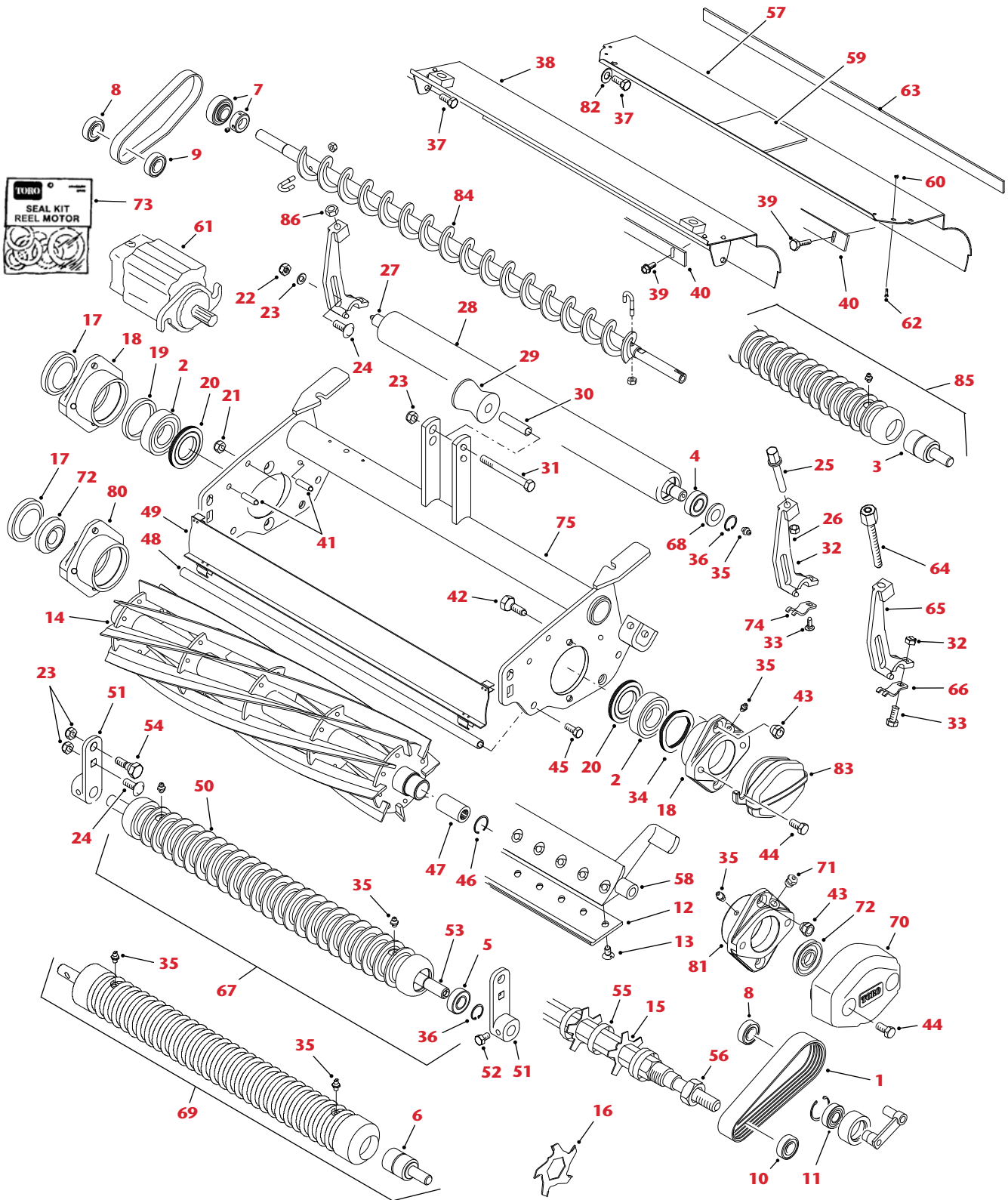
Ref. No.	Part No.	Description	Qty. Reqd.
31	33115-080	SCREW - HEX HD	1
31	104-2092	SCREW - HEX SOCKET BUTTON HD	1
32	33023-00	NUT - LOCK	2
33	66-3160	SCREW - CARRIAGE	2
33	33123-016	SCREW - CARRIAGE	2
34	94-4543	SPRING - FLAT	1
35	302-5	FITTING - GREASE	6
36	93-2525	RING - RETAINING	4
37	33114-020	SCREW - HEX HD	2
38	93-2481	ORDER 99-4103	1
38	99-4103	SHIELD - REAR (1995-99)	1
39	104-2065	SCREW - SELF TAPPING	5
40	36-7260	BAR - CUT-OFF	1
41	32121-123	PIN - ROLL	4
42	95-0745	SCREW TAPERED	4
43	93-2454	NUT - TAPER	4
44	93-2569	SCREW - HEX HD	4
45	48-7770	ORDER 33115-020	2
45	33115-020	SCREW - HEX HD	2
46	32120-37	RING - RETAINING	1
47	94-4507	COUPLER - SPLINED	1
48	98-2196	ROD - SHIELD	1
49	93-2475	ORDER 100-6400	1
49	100-6400	SHIELD - FRONT	1
50	99-4211	ROLLER TUBE - NARROW WIEHLE	1
51	94-8170	BRACKET - HOC FRONT	2
52	33113-012	SCREW - HEX HD	2
53	93-2470	SHAFT - ROLLER	1
54	95-1617	ORDER 105-3833	2
54	105-3833	BOLT - ECCENTRIC	2
55	70-1350	SPACER	84
56	3296-60	NUT - LOCK	2
57	99-4197	REAR SHIELD ASSY (2001 & UP)	1
58	93-2576-01	BEDBAR	1
59	99-1456	PAD	1
60	46-0430	NUT - LOCK	1
61	100-6426	ORDER 112-9200	1
61	108-6487	ORDER 112-9200	1
61	112-9200	HYDRAULIC MOTOR ASSEMBLY (GR 3050D 2003-05)	1
61	105-9770	REEL MOTOR ASSEMBLY (GR 3050 1997 & UP)	1
61	105-9770	REEL MOTOR ASSEMBLY (GR 3100 03 & UP)	1
62	60-6500	SCREW - HEX HD	1
63	95-1636	STRIP - SEAL	1
64	95-1633	HOC ADJUST ASSY	1
65	95-1638	BRACKET - HOC REAR	1
66	99-8168	COLLAR-HOC	1
67	94-8171	FRONT WIDE WIEHLE ROLLER ASSEMBLY	1
*	107-1591**	Roller Rebuild MVP Kit (Bearings 93-2559 - 1995-1998)	A/R
68	85-7190	WASHER - SHIELD	2
69	99-6241	FRONT WIEHLE ROLLER - 0.20" SPACING	1
*	107-1588**	Roller Rebuild MVP Kit (Bearings 52-3180)	A/R

\*Not Illustrated \*\*See pages 7-17 for Kit contents

# RIDING GREENMASTERS

Greensmaster® 3200/3050 Style

## 4-BOLT ADJUST CUTTING UNIT PARTS



NOTE: Always consult your product's Parts Catalog to ensure ordering the correct part; the part needed may not be listed herein.

**RIDING GREENSMASTERS**  
Greensmaster® 3200/3050 Style

**4-BOLT ADJUST CUTTING UNIT PARTS**

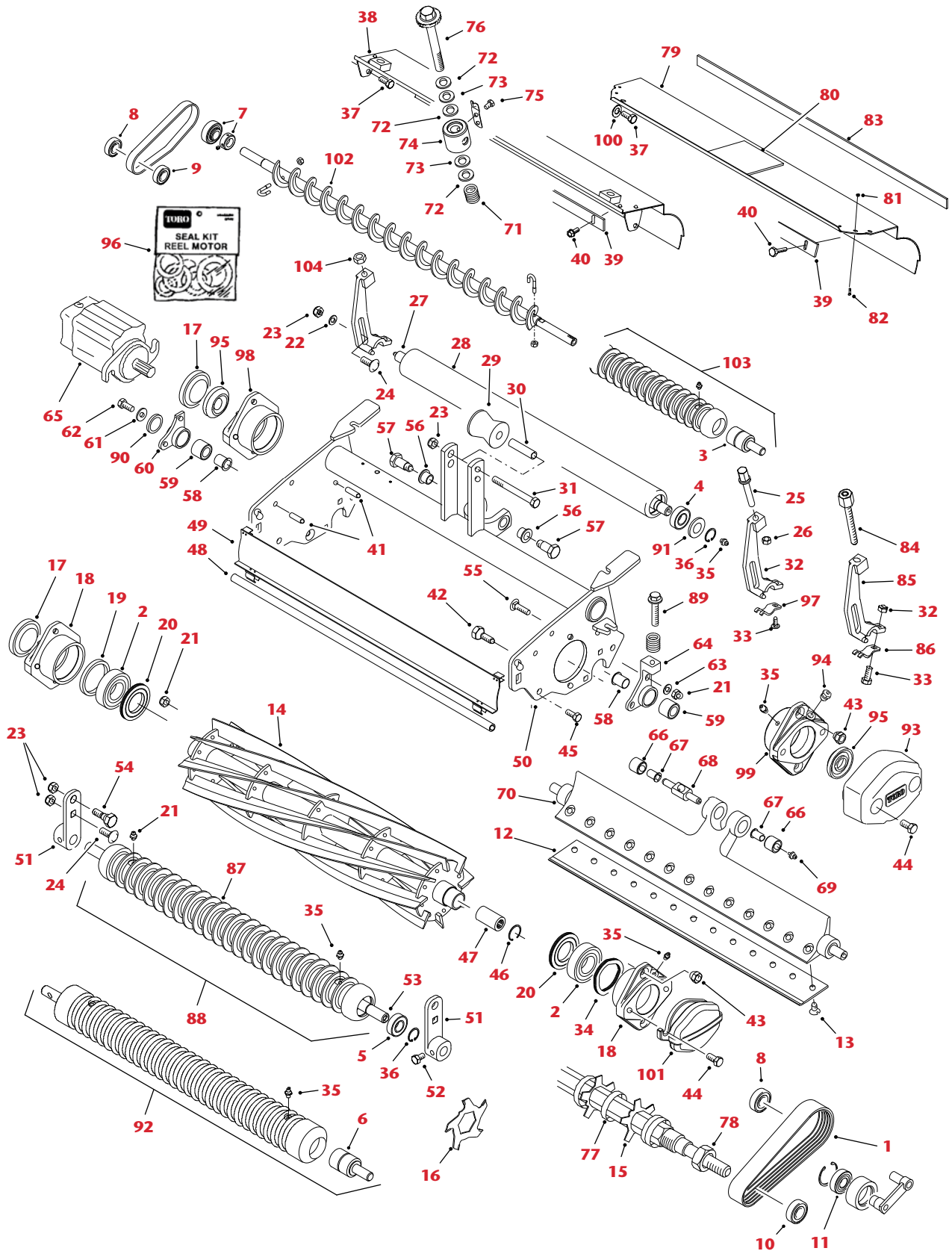
Ref. No.	Part No.	Description	Qty. Reqd.
70	100-7113-01	COUNTERWEIGHT (3050 STYLE)	1
71	302-34	FITTING - BREATHER	2
72	104-2067	SPACER - END (3050 STYLE 2001-03 ONLY)	2
73	106-6362	SEAL KIT (FOR REEL MOTOR 105-9770)	1
74	94-1382	COLLAR - HOC BRACKET	2
75	93-2490	ORDER 105-9768	1
75	105-9768	REEL FRAME ASSEMBLY (1995-96)	1
75	95-1635-01	REEL FRAME ASSEMBLY (1997 & UP)	1
80	105-3825	HOUSING - BEARING RH (2002 & UP)	1
81	105-3826	HOUSING - BEARING LH (2002 & UP)	1
82	3256-74	WASHER - FLAT	4
83	95-1642-01	COUNTERWEIGHT (3200 STYLE)	1
84	104-1829	ORDER 105-6792	1
84	105-6792	REPLACEMENT REAR ROLLER BRUSH	1
*	<b>106-9627**</b>	<b>Rear Roller Brush Rebuild MVP Kit</b>	<b>A/R</b>
85	94-8150	REAR WIEHLE ROLLER ASSEMBLY	1
*	<b>107-1592**</b>	<b>Roller Rebuild MVP Kit (Bearings 75-1290)</b>	<b>A/R</b>
86	3296-5	NUT - LOCK	2

\*Not Illustrated \*\*See pages 7-17 for Kit contents

# RIDING GREENMASTERS

Greensmaster® 3200/3050 Style

## SPA (Single Point Adjust) CUTTING UNIT PARTS



NOTE: Always consult your product's Parts Catalog to ensure ordering the correct part; the part needed may not be listed herein.  
\*Not Illustrated \*\*See pages 7-17 for Kit contents

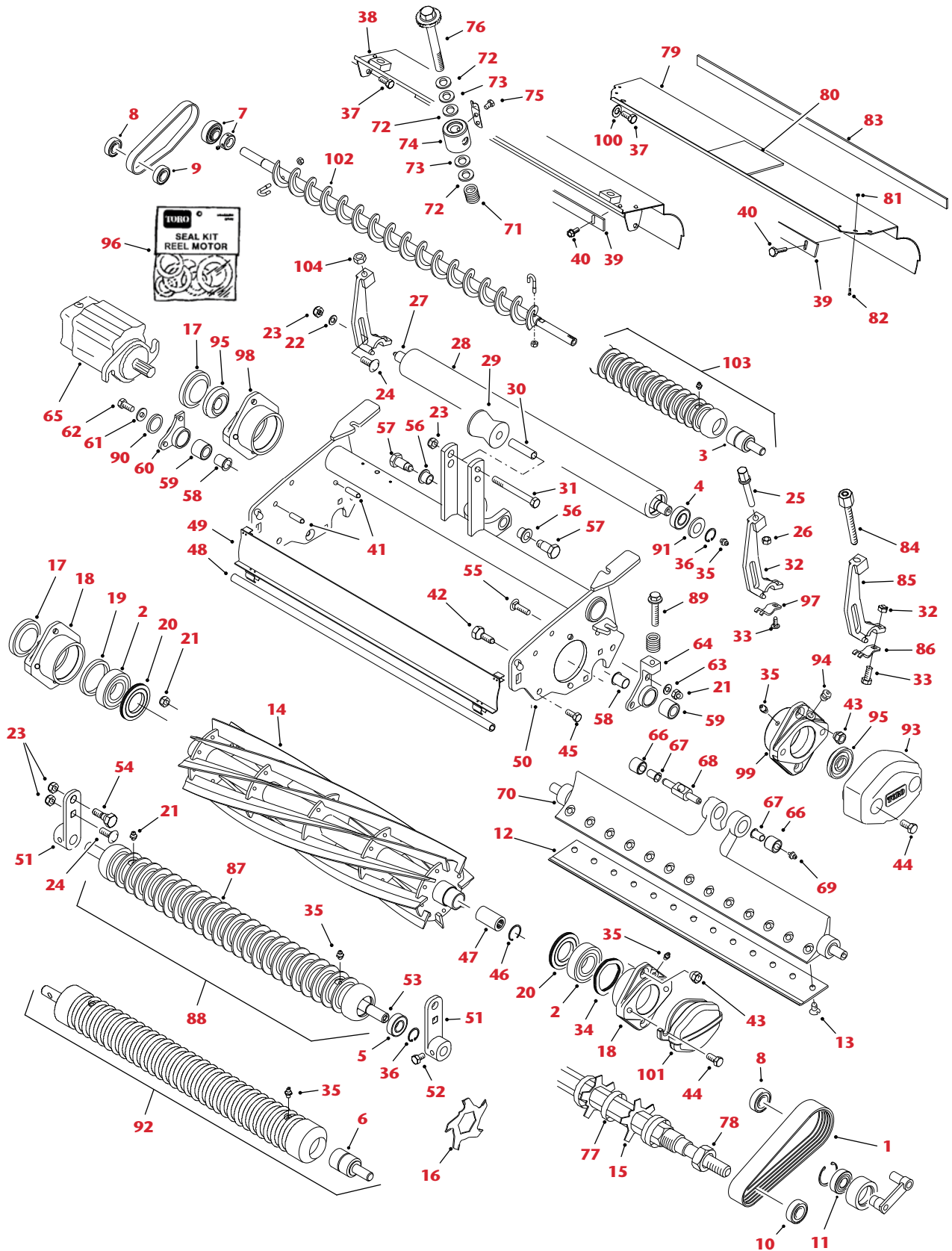
**SPA (Single Point Adjust) CUTTING UNIT PARTS**

Ref. No.	Part No.	Description	Qty. Reqd.
1	95-0728	MULTI-ROW V-BELT - GROOMER DRIVE	1
2	93-2489	BEARING (1995-01)	2
2	105-3827	BEARING (2002 & UP)	2
3	75-1290	BEARING - BALL	2
4	85-9970	BEARING	4
5	93-2559	BEARING - BALL	4
6	52-3180	BEARING - ROLLER	2
7	104-1842	BEARING - BALL (ROLLER BRUSH SHAFT)	2
8	251-336	BEARING - BALL (GROOMER & REAR ROLLER BRUSH DRIVE)	1
9	98-5215	BEARING - BALL (REAR ROLLER BRUSH DRIVE)	1
10	95-0707	BEARING - BALL (GROOMER SHAFT)	2
11	38-7820	BEARING - BALL (GROOMER IDLER)	1
12	93-4262	BEDKNIFE - MICROCUT	1
12	115-1880	BEDKNIFE - MICROCUT - EDGEMAX	1
12	93-4263	BEDKNIFE - TOURNAMENT-CUT	1
12	115-1881	BEDKNIFE - TOURNAMENT-CUT - EDGEMAX	1
12	93-4264	BEDKNIFE - LOWCUT	1
12	94-6392	BEDKNIFE - HIGHCUT	1
12	63-8600	BEDKNIFE - FAIRWAY-CUT	1
12	112-7475	BEDKNIFE - FAIRWAY-CUT - EDGEMAX	1
12	104-7720	ORDER 108-4303	1
12	108-4303	BEDKNIFE - MICROCUT EXTENDED (GR 3050 STYLE)	1
12	99-4299	ORDER 108-4302	1
12	108-4302	BEDKNIFE - TOURNAMENT-CUT EXTENDED (GR 3050 STYLE)	1
13	3-6462	ORDER 57-4910	13
13	57-4910	BEDKNIFE SCREW	13
14	94-4356	ORDER 94-8039	1
14	94-4357	ORDER 94-8037	1
14	94-8037	REEL - 11 BLADE	1
14	94-8039	REEL - 8 BLADE	1
14	98-2181	REEL - HD 5 BLADE	1
14	98-2182	REEL - HD 8 BLADE	1
15	95-5719	BLADE - GROOMER REEL	41
16	110-2393	BLADE - GROOMER REEL (CARBIDE TIPPED)	41
17	2410-30	CAP - PLASTIC	1
18	94-4545	ORDER 108-6538	2
18	108-6538	HOUSING - BEARING (1995-01)	2
19	94-4544	SPACER - BEARING	1
20	93-2483	ORDER 94-8908	2
20	94-8908	SEAL - GREASE	2
20	105-3824	SEAL - GREASE	2
21	33024-00	NUT - LOCK	2
22	3256-46	WASHER - FLAT	2
23	33025-00	NUT - LOCK	7
24	33125-025	SCREW - CARRIAGE	4
25	93-2523	ADJUSTER - HOC	2
26	93-2455	ORDER 99-6858	2
26	99-6858	BRACKET - HOC REAR	2
27	93-2466	SHAFT - ROLLER	1
27	95-2912	SHAFT - ROLLER	1
28	93-2465	ORDER 95-2910	1
28	93-2467	TUBE - ROLLER	1
28	95-2910	REAR FULL ROLLER ASSEMBLY	1
*	<b>107-1593**</b>	<b>Roller Rebuild MVP Kit (Bearings 85-9970 - 1999-2000)</b>	<b>A/R</b>
29	93-2463	ROLLER - LIFT	1
30	93-2464	SPACER - ROLLER	1
31	33115-080	SCREW - HEX HD	1
31	104-2092	SCREW - HEX SOCKET BUTTON HD	1
32	33023-00	NUT - LOCK	2

# RIDING GREENMASTERS

Greensmaster® 3200/3050 Style

## SPA (Single Point Adjust) CUTTING UNIT PARTS



NOTE: Always consult your product's Parts Catalog to ensure ordering the correct part; the part needed may not be listed herein.

**SPA (Single Point Adjust) CUTTING UNIT PARTS**

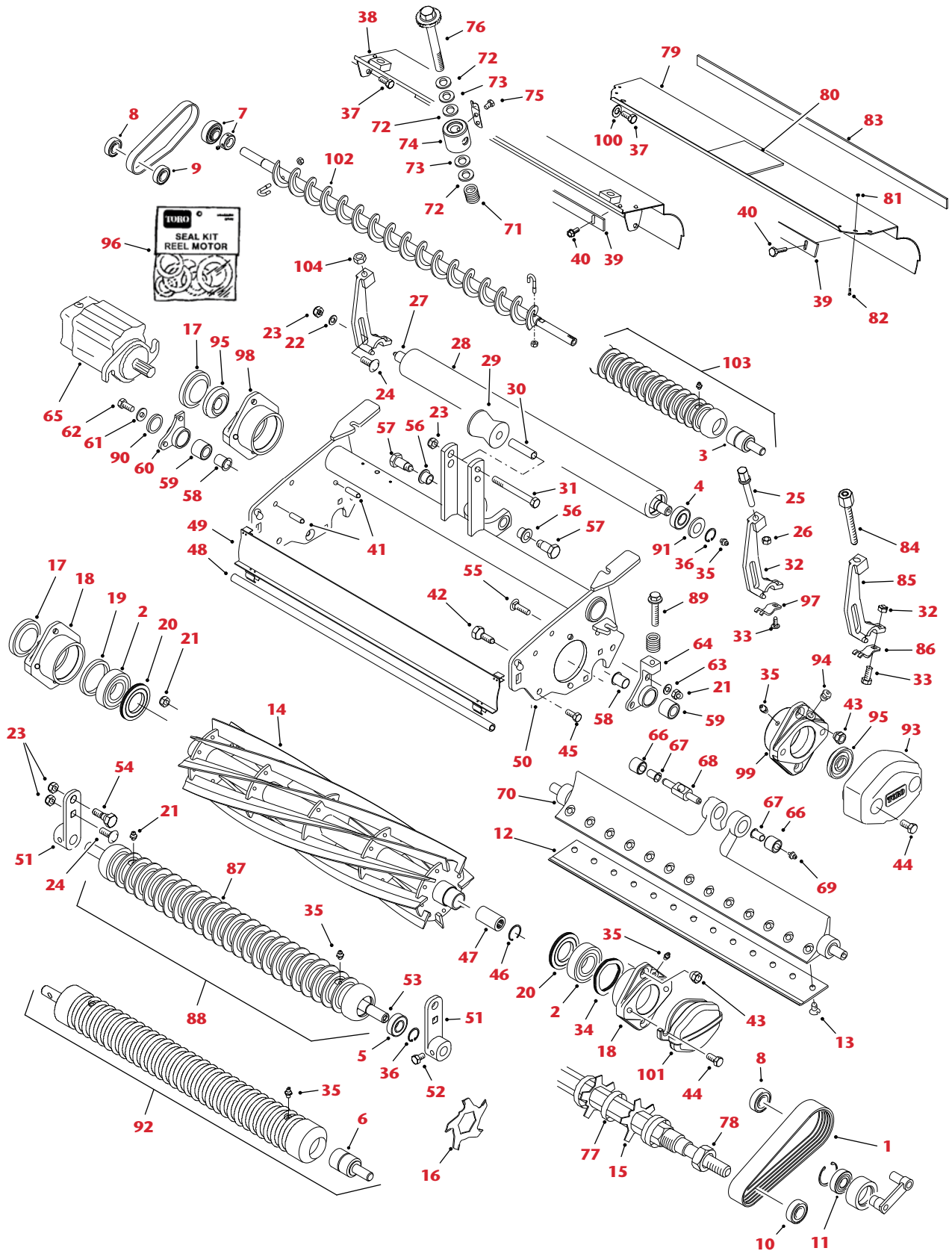
Ref. No.	Part No.	Description	Qty. Reqd.
33	66-3160	SCREW - CARRIAGE	2
33	33123-016	SCREW - CARRIAGE	2
34	94-4543	SPRING - FLAT	1
35	302-5	FITTING - GREASE	6
36	93-2525	RING - RETAINING	4
37	33114-020	SCREW - HEX HD	2
38	93-2481	ORDER 99-4103	1
38	99-4103	SHIELD - REAR (1995-99)	1
39	36-7260	BAR - CUT-OFF	1
40	104-2065	SCREW - SELF TAPPING	5
41	32121-123	PIN - ROLL	4
42	95-0745	SCREW TAPERED	4
43	93-2454	NUT - TAPER	4
44	93-2569	SCREW - HEX HD	4
45	48-7770	ORDER 33115-020	2
45	33115-020	SCREW - HEX HD	2
46	32120-37	RING - RETAINING	1
47	94-4507	COUPLER - SPLINED	1
48	98-2196	ROD - SHIELD	1
49	93-2475	ORDER 100-6400	1
49	100-6400	SHIELD - FRONT	1
50	93-2500	ORDER 105-9767	1
50	105-9767	FRAME - REEL (1995-96)	1
50	95-1634-01	FRAME - REEL (1997 & UP)	1
51	94-8170	BRACKET - HOC FRONT	2
52	33113-012	SCREW - HEX HD	2
53	93-2470	SHAFT - ROLLER	1
54	95-1617	ORDER 105-3833	2
54	105-3833	BOLT - ECCENTRIC	2
55	33124-025	SCREW - CARRIAGE	4
56	93-2891	BUSHING - PLASTIC	2
57	93-2545	SCREW - PIVOT	2
58	93-7502	BUSHING - PLASTIC	2
59	93-7501	BUSHING ASSEMBLY	2
60	93-2513	ORDER 100-3380	1
60	100-3380	HUB - PIVOT RH	1
61	3256-82	WASHER - FLAT	1
62	33104-020	SCREW - HEX FLANGE HD	1
63	87-8640	WASHER - HARDENED	2
64	93-2512	ORDER 100-3381	1
64	100-3381	HUB - PIVOT LH	1
65	100-6426	ORDER 112-9200	1
65	108-6487	ORDER 112-9200	1
65	112-9200	HYDRAULIC MOTOR ASSEMBLY (GR 3050D 2003-05)	1
65	105-9770	REEL MOTOR ASSEMBLY (GR 3050 1997 & UP)	1
65	105-9770	REEL MOTOR ASSEMBLY (GR 3100 03 & UP)	1
66	62-5510	BUSHING ASSEMBLY	2
67	52-2890	BUSHING - PLASTIC	2
68	52-2920	PIVOT - BEDBAR	1
69	302-18	FITTING - GREASE	1
70	93-2511-01	BEDBAR	1
71	93-2562	SPRING - COMPRESSION	1
72	257-5	WASHER - THRUST	3
73	77-0350	WASHER - THRUST	2
74	93-2518	HOUSING - PIVOT	1



# RIDING GREENMASTERS

Greensmaster® 3200/3050 Style

## SPA (Single Point Adjust) CUTTING UNIT PARTS



NOTE: Always consult your product's Parts Catalog to ensure ordering the correct part; the part needed may not be listed herein.

**SPA (Single Point Adjust) CUTTING UNIT PARTS**

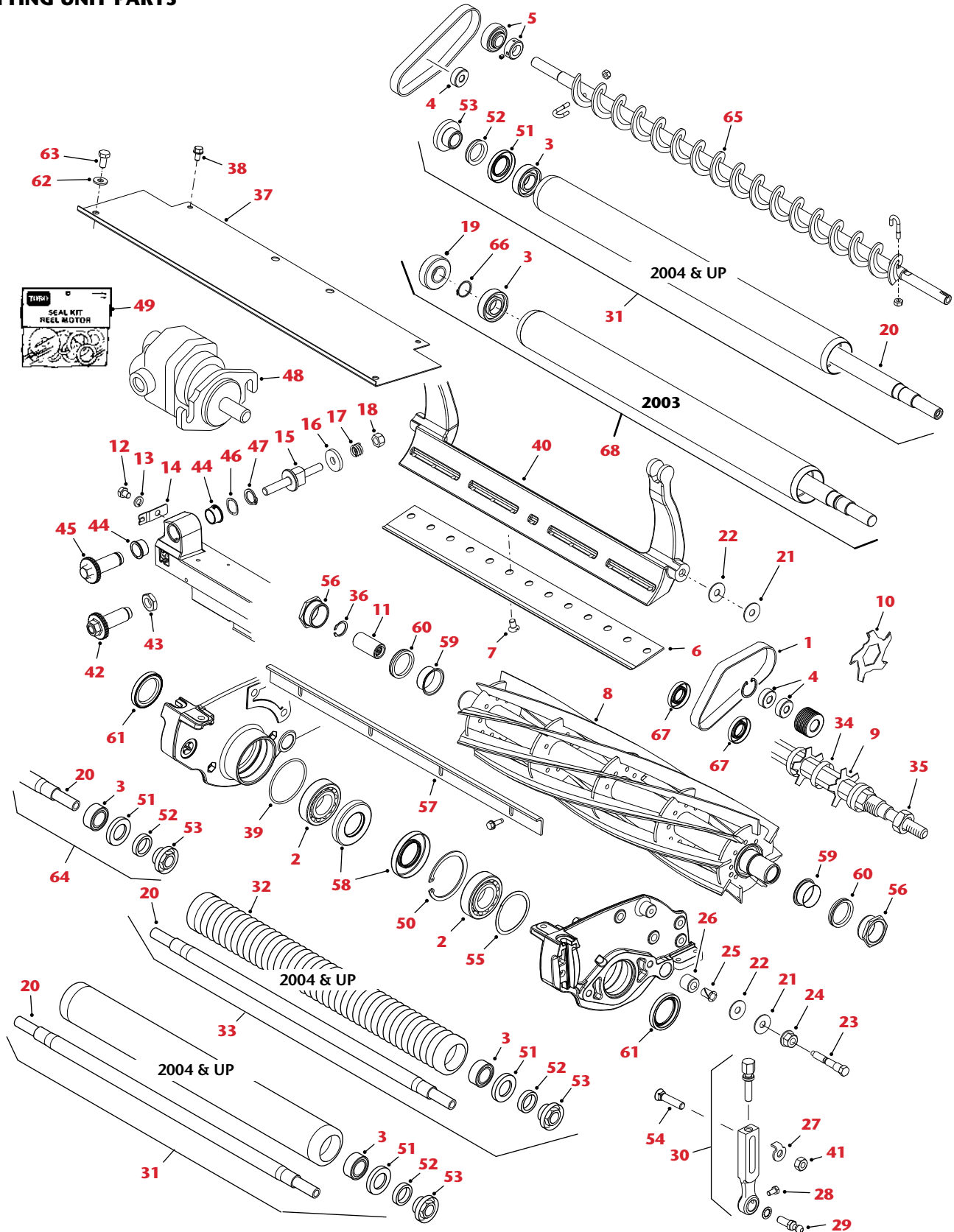
Ref. No.	Part No.	Description	Qty. Reqd.
75	33113-008	SCREW - HEX HD	2
76	93-2550	ADJUSTER ASSEMBLY	1
77	70-1350	SPACER	84
78	3296-60	NUT - LOCK	2
79	99-4197	REAR SHIELD ASSY (2001 & UP)	1
80	99-1456	PAD	1
81	46-0430	NUT - LOCK	1
82	60-6500	SCREW - HEX HD	1
83	95-1636	STRIP - SEAL	1
84	95-1633	HOC ADJUST ASSY	1
85	95-1638	BRACKET - HOC REAR	1
86	99-8168	COLLAR-HOC	1
87	99-4211	ROLLER TUBE - NARROW WIEHLE	1
88	94-8171	FRONT WIDE WIEHLE ROLLER ASSEMBLY	1
*	<b>107-1591**</b>	<b>Roller Rebuild MVP Kit (Bearings 93-2559 - 1995-1998)</b>	<b>A/R</b>
89	94-3489	SCREW - CAP HEX HD	1
90	93-7510	SEAL - QUAD RING	1
91	85-7190	WASHER - SHIELD	2
92	99-6241	FRONT WIEHLE ROLLER ASSEMBLY - 0.20" SPACING	1
*	<b>107-1588**</b>	<b>Roller Rebuild MVP Kit (Bearings 52-3180)</b>	<b>A/R</b>
93	100-7113-01	WEIGHT - END (2001 & UP)	1
94	302-34	FITTING - BREATHER	2
95	104-2067	SPACER - END (3050 STYLE 2001-03 ONLY)	2
96	106-6362	SEAL KIT (FOR REEL MOTOR 105-9770)	1
97	94-1382	COLLAR - HOC BRACKET	2
98	105-3825	HOUSING - BEARING RH (2002 & UP)	1
99	105-3826	HOUSING - BEARING LH (2002 & UP)	1
100	3256-74	WASHER - FLAT	4
101	95-1642-01	COUNTERWEIGHT (3200 STYLE)	1
102	104-1829	ORDER 105-6792	1
102	105-6792	REPLACEMENT REAR ROLLER BRUSH	1
*	<b>106-9627**</b>	<b>Rear Roller Brush Rebuild MVP Kit</b>	<b>A/R</b>
103	94-8150	REAR WIEHLE ROLLER ASSEMBLY	1
*	<b>107-1592**</b>	<b>Roller Rebuild MVP Kit (Bearings 75-1290)</b>	<b>A/R</b>
104	3296-5	NUT - LOCK	2

\*Not Illustrated \*\*See pages 7-17 for Kit contents

# RIDING GREENMASTERS

Greensmaster® DPA (Dual Point Adjust)

## CUTTING UNIT PARTS



NOTE: Always consult your product's Parts Catalog to ensure ordering the correct part; the part needed may not be listed herein.

**RIDING GREENSMASTERS**  
Greensmaster® DPA (Dual Point Adjust)

**CUTTING UNIT PARTS**

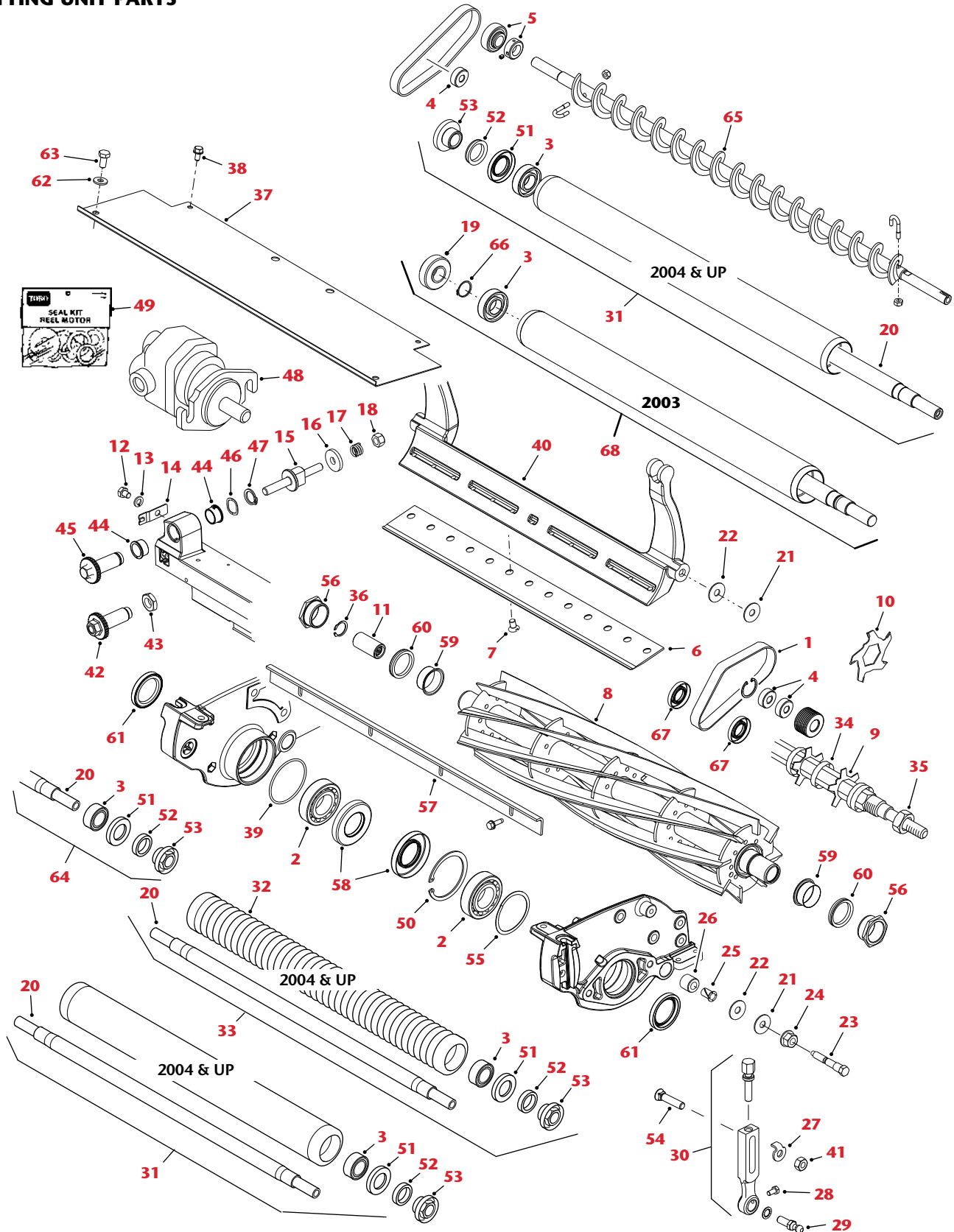
Ref. No.	Part No.	Description	Qty. Reqd.
1	104-4705	BELT - GROOMER DRIVE (DPA CUTTING UNITS)	1
2	93-2489	BEARING - REEL	2
3	251-347	BEARING	2
4	251-259	BEARING - BALL (GROOMER & REAR ROLLER BRUSH IDLER)	3
5	104-1842	BEARING - BALL	2
6	63-8600	BEDKNIFE - FAIRWAY- CUT	1
6	112-7475	BEDKNIFE - FAIRWAY-CUT - EDGEMAX	1
6	93-4262	BEDKNIFE - MICROCUT	1
6	115-1880	BEDKNIFE - MICROCUT - EDGEMAX	1
6	93-4263	BEDKNIFE - TOURNAMENT-CUT	1
6	115-1881	BEDKNIFE - TOURNAMENT CUT - EDGEMAX	1
6	93-4264	BEDKNIFE - LOWCUT	1
6	94-6392	BEDKNIFE - HIGHCUT	1
7	57-4910	BEDKNIFE SCREW	13
8	106-2626	REEL - 5 BLADE	1
8	115-8270	REEL - 5 BLADE 27" (3100D)	1
8	115-8282	REEL - 5 BLADE 32" (3100D)	1
8	105-5793	REEL - 8 BLADE	1
8	115-8275	REEL - 8 BLADE 27" (3100D)	1
8	115-8286	REEL - 8 BLADE 32" (3100D)	1
8	107-9522	REEL - 8 BLADE HEAVY-DUTY	1
8	105-5792	REEL - 11 BLADE	1
8	115-8278	REEL - 11 BLADE 27" (3100D)	1
8	115-5370	REEL - 14 BLADE	1
9	95-5719	BLADE - GROOMER	41
10	110-2393	BLADE GROOMER (CARBIDE TIPPED)	41
11	94-4507	COUPLER - SPLINED	1
12	33114-010	SCREW	2
13	3255-8	LOCKWASHER	2
14	99-2097	DETENT	2
15	99-2096	SCREW - ADJUSTER	2
16	99-2098	WASHER	2
17	99-3755	SPRING - COMPRESSION	2
18	33025-00	NUT - LOCK	2
19	99-3842	SEAL - OIL	2
20	106-6940	SHAFT - ROLLER	1
21	52-2900	WASHER	4
22	52-2860	WASHER	4
23	65-6270	BOLT - BEDBAR	2
24	32128-48	NUT - FLANGE	2
25	52-2890	BUSHING - NYLON	2
26	63-9510	BUSHING	2
27	104-2603	WASHER - HOC	2
28	33113-012	SCREW - SQ HEAD SET	2
29	94-2958	STUD - BALL	2
30	99-3781	ORDER 110-7351	2
30	110-7351	ARM - HOC (2003)	2
30	107-3502	ORDER 110-7350	2
30	110-7350	BRACKET KIT (2004 & UP)	1
31	106-6945	FULL ROLLER ASSEMBLY	1
*	107-1594**	Roller Rebuild MVP Kit (2004 & Up)	A/R

\*Not Illustrated \*\*See pages 7-17 for Kit contents

# RIDING GREENMASTERS

Greensmaster® DPA (Dual Point Adjust)

## CUTTING UNIT PARTS



NOTE: Always consult your product's Parts Catalog to ensure ordering the correct part; the part needed may not be listed herein.

**RIDING GREENSMASERS**  
Greensmaster® DPA (Dual Point Adjust)

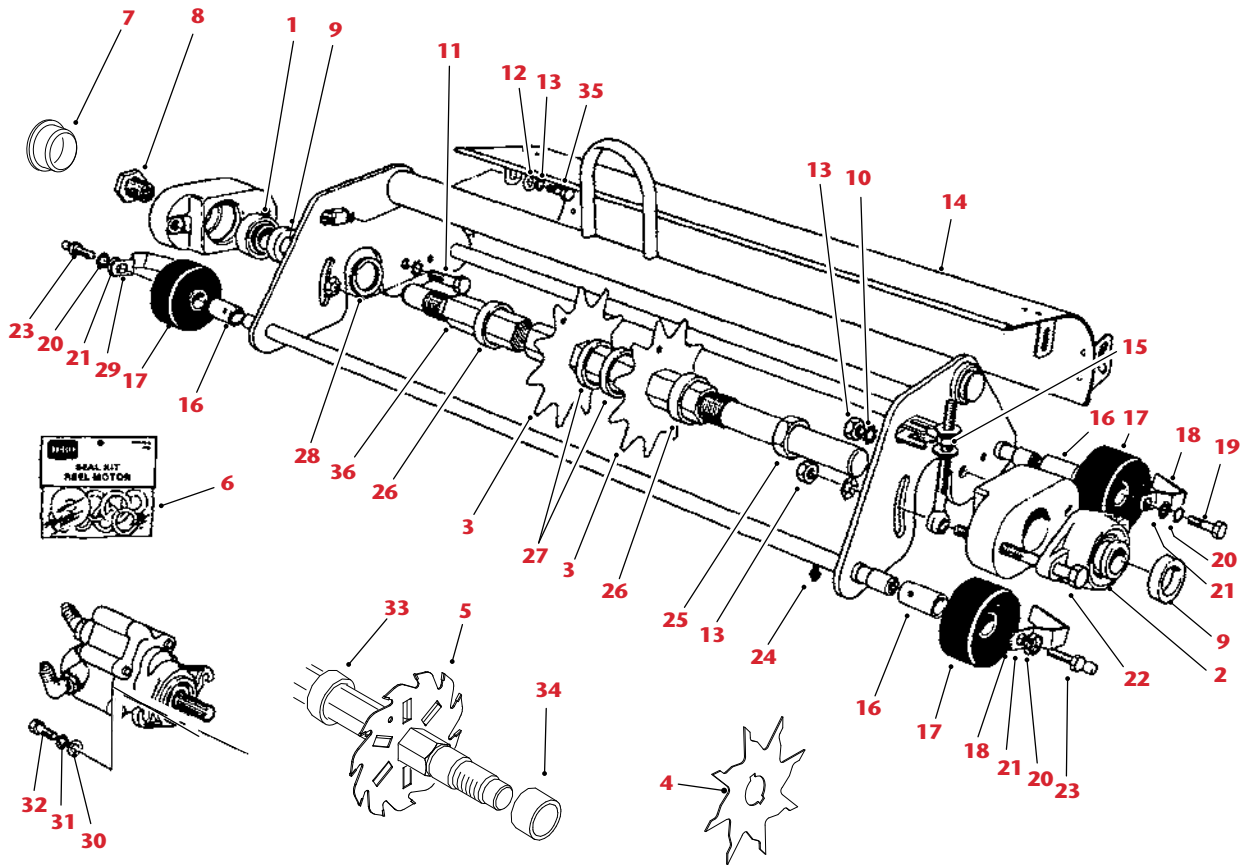
**CUTTING UNIT PARTS**

Ref. No.	Part No.	Description	Qty. Reqd.
32	106-6944	ORDER 107-9037	1
32	106-6948	ORDER 107-9038	1
32	104-0540	WIEHLE ROLLER TUBE (0.20" SPACING)	1
33	107-9037	WIEHLE ROLLER ASSEMBLY (0.20" SPACING)	1
33	107-9038	WIEHLE ROLLER ASSEMBLY (0.93" SPACING)	1
*	<b>107-1594**</b>	<b>Roller Rebuild MVP Kit (2004 &amp; Up)</b>	<b>A/R</b>
34	70-1350	SPACER - GROOMER	84
35	3296-60	NUT - LOCK	2
36	105-5775	RING - RETAINING	1
37	106-2600-01	SHIELD - GRASS	1
38	104-2628	SCREW - HEX WASHER HD	8
39	106-2607	SEAL - O-RING	1
40	106-2648-01	BEDBAR	1
41	106-4668	NUT - LOCK	2
42	106-6921	ORDER 114-4634	2
43	106-5336	NUT - JAM (2003)	2
44	106-5344	BUSHING - KEYED FLANGE	4
45	114-4634	ADJUSTER (2003)	2
45	106-5363	ADJUSTER (2004 & UP)	2
46	106-5335	WASHER - WAVE	2
47	32120-93	RING - RETAINING	2
48	100-6426	ORDER 112-9200	1
48	108-6487	ORDER 112-9200	1
48	112-9200	HYDRAULIC MOTOR ASSEMBLY (GR 3050D 2003-05)	1
48	105-9770	REEL MOTOR ASSEMBLY (GR 3100 03 & UP)	1
49	106-6362	SEAL KIT (FOR REEL MOTOR 105-9770)	1
50	106-6914	RING - RETAINING	1
51	106-6941	SEAL	2
52	106-6942	V-RING	2
53	108-3151	NUT - BEARING LOCK	2
54	105-5342	BOLT - CARRIAGE	2
55	105-5700	WASHER - WAVE	1
56	105-5706	NUT - BEARING LOCKING	2
57	106-6924-03	BAR - CUTOFF	1
57	106-6926	SEAL - GREASE	2
*	<b>106-6937</b>	<b>DPA Reel Seal Kit</b>	<b>A/R</b>
59	106-6927	SLEEVE	2
60	106-6929	SEAL - V-RING	2
61	253-134	SEAL - GREASE	2
62	3256-2	WASHER - FLAT	2
63	33114-016	SCREW - HEX HD.	2
64	108-8625	ROLLER SHAFT REPLACEMENT KIT	1
65	104-1829	ORDER 105-6792	1
65	105-6792	REPLACEMENT REAR ROLLER BRUSH	1
*	<b>106-9627**</b>	<b>Rear Roller Brush Rebuild MVP Kit</b>	<b>A/R</b>
66	32120-15	RING - RETAINING	2
67	106-8530	SEAL (GROOMER SHAFT)	1
68	105-5776	ORDER 106-6945	1
68	106-6945	REAR FULL ROLLER ASSEMBLY	1
*	<b>107-1595**</b>	<b>Roller Rebuild MVP Kit (2003)</b>	<b>A/R</b>

\*Not Illustrated \*\*See pages 7-17 for Kit contents

# RIDING GREENMASTERS

## Vertical Cutter Assembly



NOTE: Always consult your product's Parts Catalog to ensure ordering the correct part; the part needed may not be listed herein.

**RIDING GREENMASTERS**  
Vertical Cutter Assembly

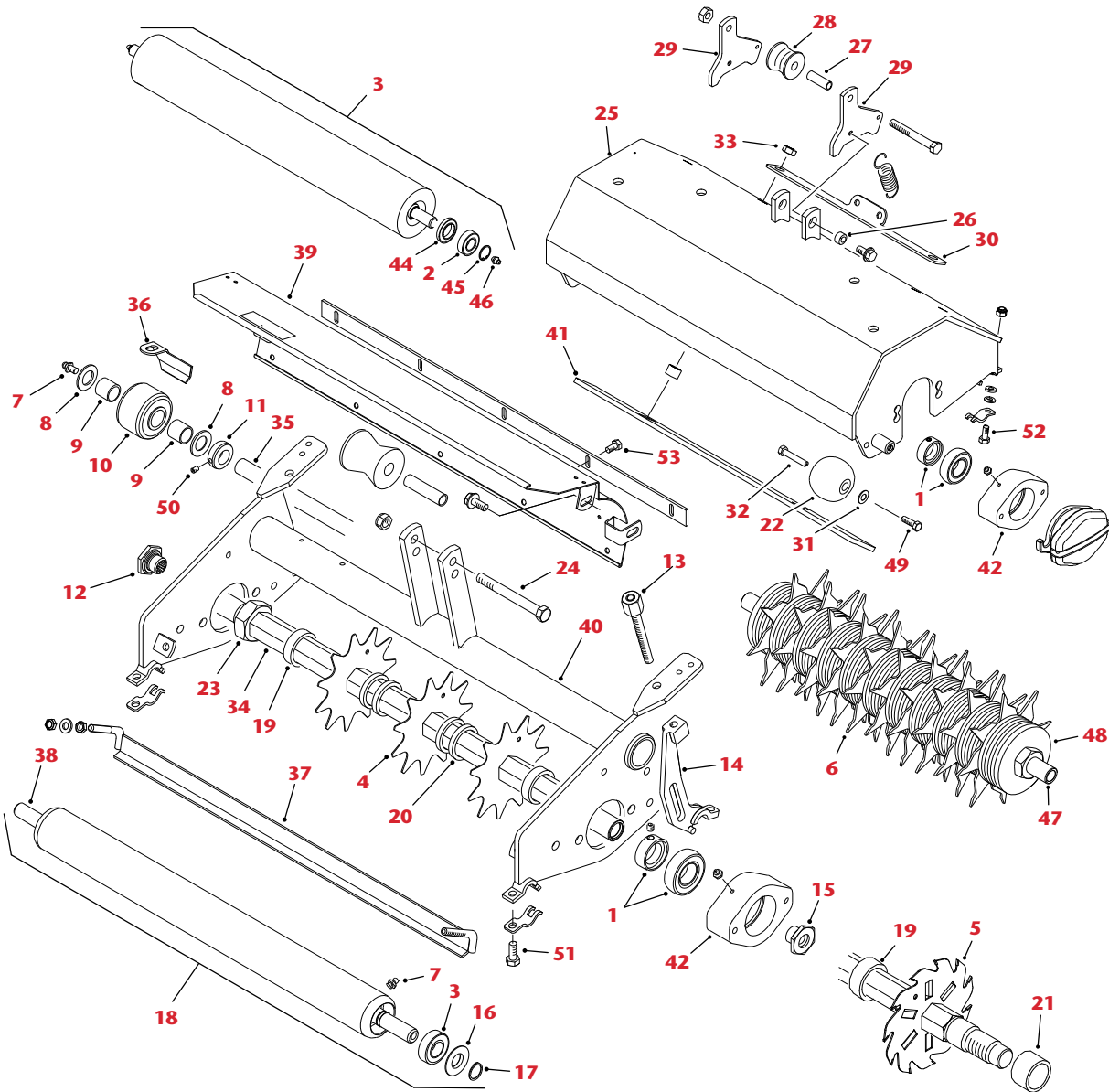
Ref. No.	Part No.	Description	Qty. Reqd.
1	251-206	BEARING W/COLLAR	1
2	251-247	BEARING	1
3	17-1590	DETHATCHING BLADE (STD)	A/R
4	20-7380-01	SPIKER BLADE	10
5	106-5422	BLADE - DETHATCHING REEL (1MM CARBIDE TIPPED)	A/R
5	106-6355	BLADE - DETHATCHING REEL (2MM CARBIDE TIPPED)	A/R
*	106-6392**	Dethatching Reel Blade MVP Kit (108 Blades 106-6355)	A/R
6	353-469	ORDER 92-8863	1
6	353-585	ORDER 92-8863	1
6	72-4380	ORDER 92-8863	1
6	75-1270	ORDER 92-8863	1
6	92-8863	SEAL KIT	1
7	2410-30	CAP - PLASTIC	1
8	10-5100	ORDER 93-1394	1
8	93-1394	SPLINE NUT	1
9	251-77	BEARING LOCK	2
10	324-6	CAPSCREW	2
11	3256-22	WASHER	4
12	3255-7	LOCKWASHER	4
13	3217-8	NUT	2
14	17-1530	SHIELD	1
15	3217-7	NUT	2
16	17-1620	WHEEL BUSHING	4
17	17-1630	RUBBER WHEEL	4
18	17-1640	SCRAPER	2
19	3211-3	ORDER 3211-40	2
19	3211-40	CAPSCREW	2
20	3254-6	LOCKWASHER	4
21	3256-3	WASHER	4
22	324-13	CAPSCREW	2
23	2411-7	ORDER 94-2958	2
23	94-2958	STUD - BALL	2
24	302-5	GREASE FITTING	4
25	3220-18	JAM NUT	2
26	17-1580	SPACER	2
27	17-1600	SPACER	72
28	32120-77	SNAP RING	1
29	17-1650	SCRAPER	2
30	3256-24	WASHER	2
31	3255-9	LOCKWASHER	2
32	323-6	CAPSCREW	2
33	82-6600	SPACER - WIDE	2
34	17-1580	SPACER - NARROW	35
35	329-1	SCREW - CAP HEX HD	4
36	17-1570	SHAFT - HEX	1

\*Not Illustrated \*\*See pages 7-17 for Kit contents



# RIDING GREENSMASTERS

## Dethatcher/Tri-Roller/Spiker Assemblies



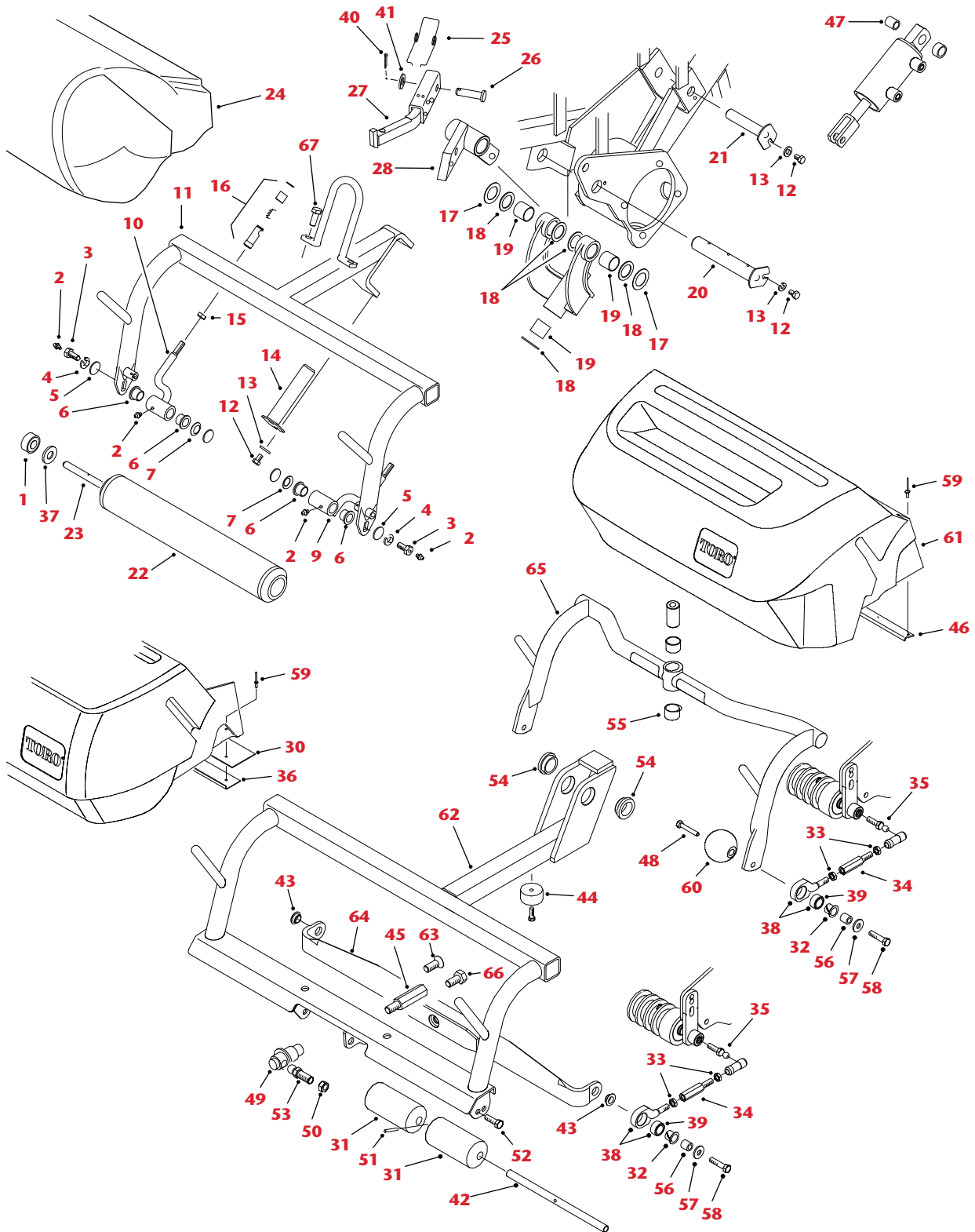
NOTE: Always consult your product's Parts Catalog to ensure ordering the correct part; the part needed may not be listed herein.

Ref. No.	Part No.	Description	Qty. Reqd.
1	94-3405	BEARING ASSEMBLY	2
2	93-2559	BEARING	2
3	85-9970	BEARING	2
4	17-1590	BLADE - 11 TOOTH (STD)	37
5	106-5422	BLADE - DETHATCHING REEL (1MM CARBIDE TIPPED)	37
5	106-6355	BLADE - DETHATCHING REEL (2MM CARBIDE TIPPED)	37
*	<b>106-6392**</b>	<b>Dethatching Reel Blade MVP Kit (108 Blades 106-6355)</b>	<b>A/R</b>
6	99-1612	BLADE - SPIKER REEL	10
7	302-5	FITTING - GREASE	4
8	257-11	WASHER - THRUST	4
9	95-7497	BUSHING - WHEEL	4
10	94-9211	WHEEL ASSEMBLY	2
11	94-9213	COLLAR - SHAFT (WITH SET SCREW)	2
12	93-1394	NUT - SPLINED RH	1
13	95-1633	ADJUSTER - HEIGHT-OF-CUT	2
14	95-1638	BRACKET - HEIGHT-OF-CUT	2
15	94-9214	NUT - SPLINED LH	1
16	85-7190	WASHER - SHIELD	2
17	32151-12	RING - RETAINING	2
18	95-5943	ROLLER ASSEMBLY	1
*	<b>107-1593**</b>	<b>Dethatcher Roller Rebuild MVP Kit</b>	<b>A/R</b>
19	<b>17-1580</b>	<b>SPACER</b>	<b>A/R</b>
20	17-1600	SPACER	72
21	82-6600	SPACER - WIDE	2
22	99-4210	ROLLER - ANTI-SCALP (SPIKER/TRI-ROLLER)	2
23	67-5840	NUT - LOCK	2
24	33115-080	SCREW - HEX HD	1
25	100-6443-01	FRAME - SPIKER	1
26	100-6447	TUBE - SPACER	2
27	100-6448	SPACER - ROLLER	1
28	100-6449	ROLLER - LIFT	1
29	100-6446-01	PLATE - PIVOT	2
30	100-9818-01	PLATE - SPRING MOUNT	1
31	3256-45	WASHER - FLAT	4
32	99-4209	SHAFT - ROLLER (SPIKER/TRI-ROLLER)	2
33	33026-00	NUT - LOCK	2
34	94-9202	SHAFT - DETHATCHER	1
35	94-9210	SHAFT - REAR ROLLER	1
36	94-9219	SCRAPER - RIGHT REAR ROLLER	1
*	94-9220	SCRAPER - LEFT REAR ROLLER	1
37	94-9226	SCRAPER - FRONT ROLLER	1
38	95-5946	SHAFT - FRONT ROLLER	1
39	98-3551	SHIELD - GRASS	1
40	98-3587-01	DETHATCHER FRAME ASSEMBLY	1
41	99-1637-01	PLATE - ROLLER SCRAPER (SPIKER/TRI-ROLLER)	1
42	95-7148	HOUSING - BEARING	2
43	99-1615	REAR ROLLER ASSY (SPIKER/TRI-ROLLER)	1
44	98-2194	SEAL - GREASE	2
45	93-2525	RING - RETAINING	2
46	302-5	FITTING - GREASE	2
47	99-1611	SHAFT - SPIKER REEL	1
48	99-1613	SPACER - SPIKER REEL	73
49	323-5	SCREW - HEX HD. (SPIKER/TRI-ROLLER)	2
50	3245-1	SCREW - SET	2
51	33114-016	SCREW HEX HD	2
52	33114-025	SCREW HEX HD	2
53	104-2065	SCREW HEX HD	5

\*Not Illustrated \*\*See pages 7-17 for Kit contents

# RIDING GREENMASTERS

## Carrier Frame & Lift Pivot Parts



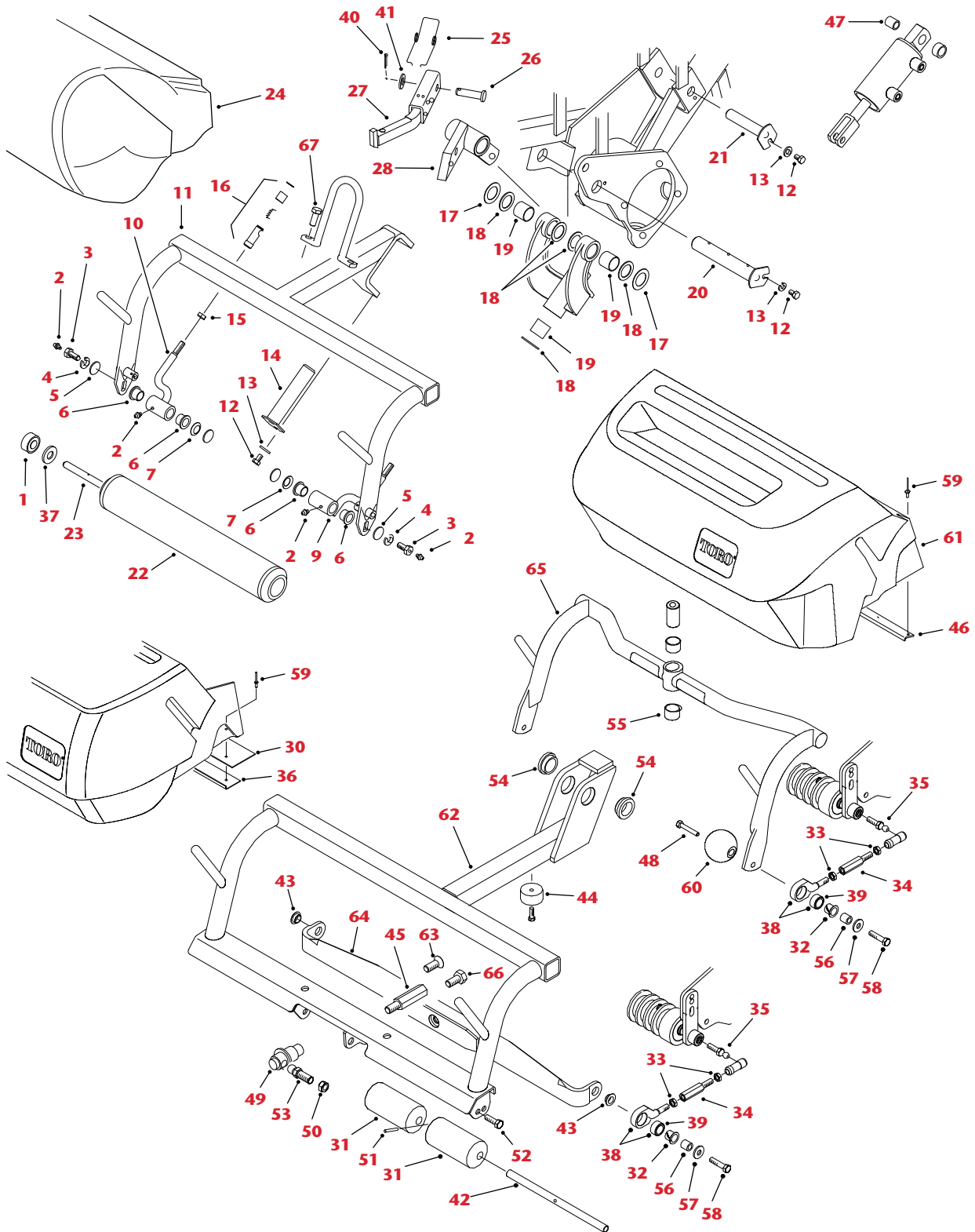
NOTE: Always consult your product's Parts Catalog to ensure ordering the correct part; the part needed may not be listed herein.

**RIDING GREENMASTERS**  
Carrier Frame & Lift Pivot Parts

Ref. No.	Part No.	Description	Qty. Reqd.
1	251-141	BEARING	2
2	302-5	GREASE FITTING	4
3	11-0160	SCREW	2
4	3253-21	LOCKWASHER	2
5	3256-24	WASHER	2
6	3-1506	BUSHING	4
7	3290-317	WASHER	2
9	21-8490-01	ARM LH	1
9	52-2740	ORDER 92-0586	1
9	92-0586	PULL ARM LH (1984 & UP)	1
10	21-8500-01	ARM RH	1
10	52-2750	ORDER 92-0585	1
10	92-0585	PULL ARM RH (1984 & UP)	1
11	86-9810-01	PULL FRAME LH (3000 1989-94)	1
11	104-2056	PULL FRAME RH & CENTER (3000 1989-94)	1
11	104-2054	PULL FRAME LH (3000/3050/3100/3150 1995 & UP)	1
11	104-2055	PULL FRAME RH (3000/3050/3100/3150 1995 & UP)	1
11	104-2056	PULL FRAME CENTER (3000/3050/3100 1995-02)	1
11	105-0451	PULL FRAME CENTER (3050/3100/3050 2003 & UP)	1
12	322-1	SCREW - CAP HEX HD (FOR 10-6110/27-2550/115-3260 PINS)	3
12	32144-14	SCREW - CAP HEX HD (FOR 94-8198 PIN)	3
13	3253-4	LOCKWASHER	3
14	10-6090	PIVOT PIN	1
15	3220-3	NUT	2
16	8-7710	ORDER 99-1460	2
16	94-2959	ORDER 99-1460	2
16	99-1460	BALL JOINT RECEIVER ASSY.	2
17	5-1226	WASHER - SHIM	2
18	10-8110	PIVOT PIN WASHER	6
19	3-0348	BUSHING	4
20	10-6110	ORDER 115-3259	1
20	115-3259	PIN - HINGE (GR 3/300/3000/3050/3100 RH & LH)	1
20	27-2550	ORDER 115-3260	1
20	115-3260	PIN - HINGE (GR 3/300/3000/3050/3100/3150 CTR/REAR)	1
20	94-8198	PIN - HINGE (GR 3200 SERIES RH/LH)	1
21	10-6060	PIN - CYLINDER	1
22	25-5550	ORDER 1/99-4277 & 2/3256-7	1
22	52-2720	ORDER 99-4277	1
22	99-4277	ROLLER ASSEMBLY	1
23	21-8470	SHAFT	1
24	37-8130	ORDER 36-7250	1
24	36-7250	GRASS BASKET	1
25	57-7650	SPRING - TORSION	3
26	57-7630	ORDER 63-8750	3
26	63-8750	PIN - PIVOT	3
27	62-2390-01	BAR - LIFT (LH)	1
27	62-2420-01	BAR - LIFT (RH & CTR)	1
27	94-5586-01	BAR - LIFT (LH 3000/3100/3050)	1
27	94-5588-01	BAR - LIFT (RH 3000/3100/3050)	1
28	62-2440	LIFT ARM (RH) (INCL #19)	1
28	62-2450	LIFT ARM (CTR) (GR 3000) (INCL #19)	1
28	62-2460	LIFT ARM (LH) (INCL #19)	1
28	68-5380	LIFT ARM (CTR) (INCL #19)	1

# RIDING REELMASTER

## Carrier Frame & Lift Pivot Parts



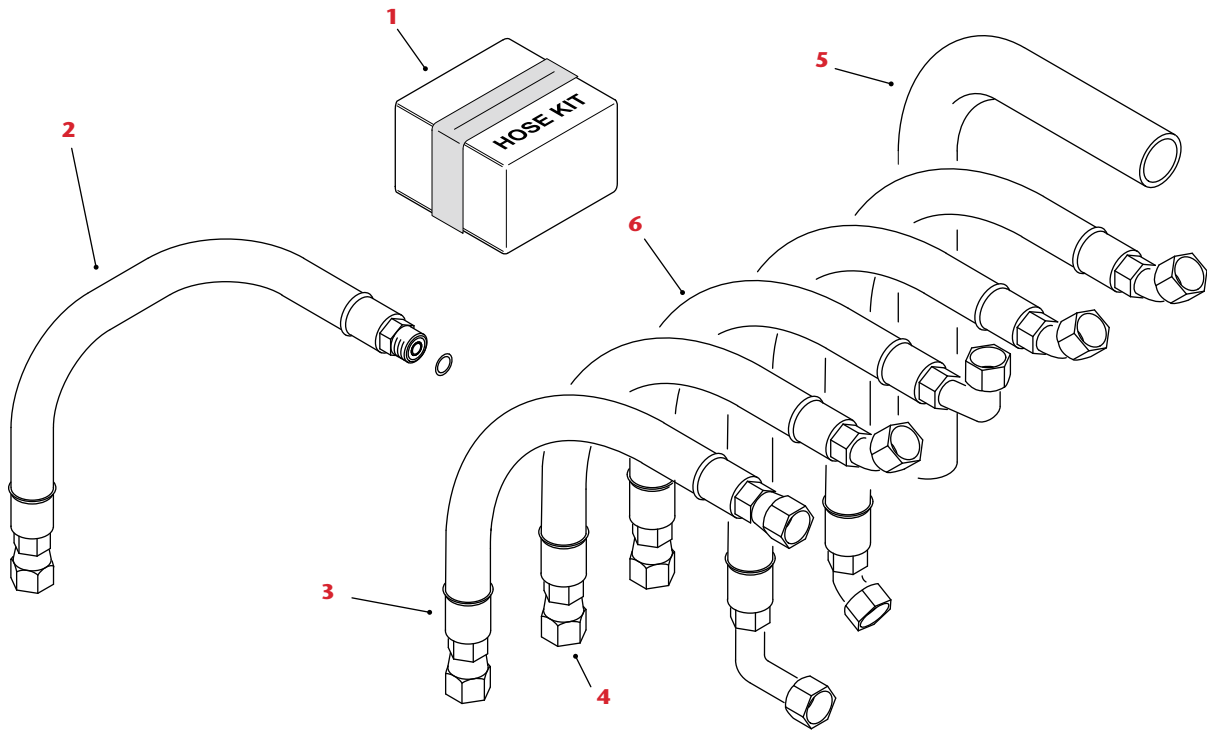
NOTE: Always consult your product's Parts Catalog to ensure ordering the correct part; the part needed may not be listed herein.

**RIDING GREENSMASTERS**  
Carrier Frame & Lift Pivot Parts

Ref. No.	Part No.	Description	Qty. Reqd.
30	93-2551	SEAL - BASKET	3
31	93-2362	ORDER 104-2091	3
31	104-2091	ROLLER - ANTI SCALP (3200)	3
32	256-292	BUSHING - FLANGE	6
33	3220-3	NUT - JAM	12
34	88-6870	EXTENSION - PULL ARM	6
35	99-4270	EXTENSION - PULL ARM (GR 3250D 2004 & UP)	6
35	94-2958	BALL STUD	6
36	95-2903	ANGLE - BASKET	1
37	253-83	SEAL - ROLLER	2
38	100-6440	PULL LINK AND BUSHING ASSEMBLY	2
39	95-0532	BUSHING - RUBBER	2
40	3272-12	PIN - COTTER	3
41	3256-26	WASHER - FLAT	3
42	93-2363	ORDER 104-2078	2
42	104-2078	SHAFT - ROLLER (3200)	2
43	93-2368	BUSHING - FLANGE	2
44	94-4548	BUMPER - RECESSED	1
45	98-0632	ADAPTOR - PULL LINK	1
46	104-2607	STRIP - BASKET	1
47	105-3838	SPACER - LIFT CYLINDER (GR 3250)	2
48	99-4209	SHAFT - ROLLER (GR 3250)	2
49	94-9647	ORDER 104-7719	3
49	104-7719	BALL JOINT (3200)	3
50	3296-19	NUT - HEX	3
51	32121-6	PIN - ROLL SLOTTED	4
52	3211-2	SCREW - HEX HD.	4
53	94-9648	BALL STUD	3
54	94-9610	BUSHING - FLANGE	2
55	98-4166	BUSHING - SLEEVE	2
56	75-5270	SPACER	2
57	80-6990	WASHER - HARDENED	2
58	323-8	SCREW - HEX HD.	2
59	3290-382	RIVET - POP	8
60	99-4210	ROLLER - ANTI SCALP	6
61	99-4105	ORDER 104-2071	3
61	104-2071	GRASS BASKET ASSEMBLY (GR 3250D)	3
62	99-1454	PULL FRAME - LH (GR 3200/3200D 1998 & UP)	1
62	99-1455	PULL FRAME - RH (GR 3200/3200D 1998 & UP)	1
62	99-1453	PULL FRAME - CENTER (GR 3200/3200D 1998 & UP)	1
63	98-2178	SCREW - FLAT HD.	1
64	98-4624-01	PULL BAR (GR 3200/3200D)	1
65	99-4114	PULL FRAME (GR 3250D)	3
66	3213-1	SCREW - HEX HD.	1
67	33115-025	SCREW - HEX HD.	2

# RIDING GREENMASTERS

## Hydraulic Hoses



Ref. No.	Part No.	Description	Qty. Reqd.
1	98-0642**	CUTTING UNIT HYDRAULIC HOSE MVP KIT (3000/3050/3100)	1
1	117-2725**	CUTTING UNIT HYDRAULIC HOSE MVP KIT (3150 2006 & UP)	1
1	117-2721**	CUTTING UNIT HYDRAULIC HOSE MVP KIT (3250 2006 & UP)	1
2	10-7630	ORDER 38-6720	1
2	10-7650	ORDER 38-6730	1
2	27-2080	ORDER 47-4820	1
2	63-3810	ORDER 95-5984	1
2	63-3880	ORDER 92-9767	1
2	83-1210	ORDER 92-9767	1
2	38-6720	HOSE ASSEMBLY (GR 3/300) LH Reel Pressure	1
2	38-6730	HOSE ASSEMBLY (GR 3/300) RH Reel Pressure	1
2	47-4820	HOSE ASSEMBLY (GR 3/300) RH Cylinder Lift Rear Cylinder Lift	1
2	63-3850	HOSE ASSEMBLY (GR 3000/3100) LH Cylinder Drop	1
2	63-3890	HOSE ASSEMBLY (GR 3000) LH Cylinder Lift Rear Cylinder Lift	2
2	83-1690	HOSE ASSEMBLY (GR 3050/3100) LH Cylinder Lift	1
2	92-9767	HOSE ASSEMBLY (GR 3000/3100) RH Cylinder Lift	1
2	95-5984	HOSE ASSEMBLY (GR 3000/3100) RH Reel Pressure	1
2	95-5988	HOSE ASSEMBLY (GR 3100) LH Reel Pressure	1

NOTE: Always consult your product's Parts Catalog to ensure ordering the correct part; the part needed may not be listed herein.

**RIDING GREENMASTERS**  
Hydraulic Hoses

Ref. No.	Part No.	Description	Qty. Reqd.
3	10-7640	HOSE ASSEMBLY (GR 3) RH Reel Return	1
3	10-7660	HOSE ASSEMBLY (GR 3/300) RH Reel Return	1
3	10-7670	HOSE ASSEMBLY (GR 3/300) LH Reel Return	1
3	27-2060	HOSE ASSEMBLY (GR 3/300) Rear Reel Return	1
3	63-3830	ORDER 95-5989	1
3	83-1350	HOSE ASSEMBLY (GR 3100) Power Steering Right Turn	1
3	83-1360	HOSE ASSEMBLY (GR 3100) Power Steering Left Turn	1
3	93-2258	HOSE ASSEMBLY Rear Cylinder Lift (3200)	1
3	95-2908	HOSE ASSEMBLY (GR 3150/3200/3250) Right and Left Reel Pressure	1
3	95-5985	HOSE ASSEMBLY (GR 3100) RH Reel Return	1
3	95-5987	HOSE ASSEMBLY (GR 3100) Rear Reel Return	1
3	95-5989	HOSE ASSEMBLY (GR 3000/3100) LH Reel Return	1
4	27-2100	ORDER 62-2490	1
4	62-2490	HOSE ASSEMBLY (GR 3) Rear Cylinder Drop	1
4	27-2070	ORDER 38-6710	1
4	38-6710	HOSE ASSEMBLY (GR 3/300) Rear Reel Pressure	1
4	63-3930	HOSE ASSEMBLY (GR 3000) Rear Cylinder Drop	1
4	63-3950	HOSE ASSEMBLY (GR 3000) RH Cylinder Drop	1
4	95-5986	HOSE ASSEMBLY (GR 3100) Rear Reel Pressure	1
5	27-3040	LOW PRESSURE HOSE (GR 3000) Reservoir to Pump	2
6	83-1680	HOSE ASSEMBLY (GR 3050/3100) Rear Cylinder Drop	1
6	93-2254	HOSE ASSEMBLY (GR 3200/3250) RH Cylinder Lift/Drop	1
6	93-2255	HOSE ASSEMBLY (GR 3200/3250) LH Cylinder Lift	1
6	93-2256	HOSE ASSEMBLY (GR 3200/3250) LH Cylinder Drop	1
6	93-2264	HOSE ASSEMBLY (GR 3200/3250) Reel Motor Case Drain	1
6	95-2907	HOSE ASSEMBLY (GR 3200/3250) Rear Reel Pressure	1
6	95-2909	HOSE ASSEMBLY (GR 3150/3200/3250) Right and Left Reel Return	1
6	94-1328	HOSE ASSEMBLY Rear Reel Motor Case Drain (3200)	1
6	94-3477	HOSE ASSEMBLY Rear Cylinder Drop (3200)	1

\*\*See pages 7-17 for Kit contents