

Service Manual

SD4050 /N1B, /U1B, /F1B

Cassette Deck

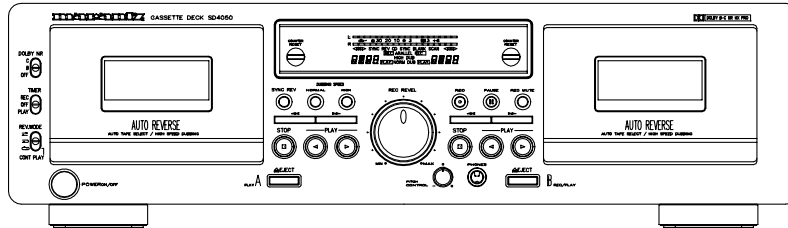


TABLE OF CONTENTS

1.	TECHNICAL SPECIFICATION	1
2.	BLOCK DIAGRAM	2
3.	WIRING DIAGRAM	3
4.	ADJUSTMENT PROCEDURE	5
5.	SCHEMATIC DIAGRAM AND PARTS LOCATION	10
6.	MICROPROCESSOR AND IC DATA	17
7.	EXPLODED VIEW AND PARTS LIST	19
8.	ELECTRICAL PARTS LIST	22

Please use this service manual with referring to the user guide (D.F.U) without fail.

修理の際は、必ず取扱説明書を準備し操作方法を確認の上作業を行って下さい。

marantz®

- SD4050 -

MARANTZ DESIGN AND SERVICE

Using superior design and selected high grade components, **MARANTZ** company has created the ultimate in stereo sound. Only original **MARANTZ** parts can insure that your **MARANTZ** product will continue to perform to the specifications for which it is famous.

Parts for your **MARANTZ** equipment are generally available to our National Marantz Subsidiary or Agent.

ORDERING PARTS :

Parts can be ordered either by mail or by Fax.. In both cases, the correct part number has to be specified.

The following information must be supplied to eliminate delays in processing your order :

1. Complete address
2. Complete part numbers and quantities required
3. Description of parts
4. Model number for which part is required
5. Way of shipment
6. Signature : any order form or Fax. must be signed, otherwise such part order will be considered as null and void.

USA

MARANTZ AMERICA, INC.
440 MEDINAH ROAD
ROSELLE, ILLINOIS 60172
USA
PHONE : 630 - 307 - 3100
FAX : 630 - 307 - 2687

EUROPE / TRADING

MARANTZ EUROPE B.V.
P.O.BOX 80002, BUILDING SFF2
5600 JB EINDHOVEN
THE NETHERLANDS
PHONE : +31 - 40 - 2732241
FAX : +31 - 40 - 2735578

BRAZIL

MARANTZ BRAZIL
CAIXA POSTAL 21462
CEP 04698-970
SAO PAULO, SP, BRAZIL
PHONE : 0800 - 123123(Discagem Direta Gratuita)
FAX : +55 11 534. 8988

PROFESSIONAL AMERICAS

SUPERSCOPE TECHNOLOGIES, INC.
MARANTZ PROFESSIONAL PRODUCTS
2640 WHITE OAK CIRCLE, SUITE A
AURORA, ILLINOIS 60504 USA
PHONE : 630 - 820 - 4800
FAX : 630 - 820 - 8103

CANADA

LENBROOK INDUSTRIES LIMITED
633 GRANITE COURT,
PICKERING, ONTARIO L1W 3K1
CANADA
PHONE : 905 - 831 - 6333
FAX : 905 - 831 - 6936

AUSTRALIA

JAMO AUSTRALIA PTY LTD
1 EXPO COURT, P.O. BOX 350
MT. WAVERLEY VIC 3149
AUSTRALIA
PHONE : +61 - 3 - 9543 - 1522
FAX : +61 - 3 - 9543 - 3677

THAILAND

MRZ STANDARD CO.,LTD
746 - 754 MAHACHAI ROAD.,
WANGBURAPAPIROM, PHRANAKORN,
BANGKOK, 10200 THAILAND
PHONE : +66 - 2 - 222 9181
FAX : +66 - 2 - 224 6795

SINGAPORE

WO KEE HONG (S) PTE LTD
WO KEE HONG CENTRE
NO.23, LORONG 8, TOA PAYOH
SINGAPORE 319257
PHONE : +65 2544555
FAX : +65 2502213

TAIWAN

PAI- YUING CO., LTD.
6 TH FL NO, 148 SUNG KIANG ROAD,
TAIPEI, 10429, TAIWAN R.O.C.
PHONE : +886 - 2 - 25221304
FAX : +886 - 2 - 25630415

MALAYSIA

WO KEE HONG ELECTRONICS SDN. BHD.
NO. 102 JALAN SS 21/35, DAMANSARA
UTAMA, 47400 PETALING JAYA
SELANGOR DARUL EHSAN, MALAYSIA
PHONE : +60 3 - 7184666
FAX : +60 3 - 7173828

JAPAN *Technical*

MARANTZ JAPAN, INC.
35- 1, 7- CHOME, SAGAMIONO
SAGAMIHARA - SHI, KANAGAWA
JAPAN 228-8505
PHONE : +81 42 748 1013
FAX : +81 42 748 9190

日本マランツ株式会社

本社 〒228-8505
神奈川県相模原市相模大野7-35-1
営業本部 〒150-0022
東京都渋谷区恵比寿南1-11-9

KOREA

MK ENTERPRISES LTD.
ROOM 604/605, ELECTRO-OFFICETEL, 16-58,
3GA, HANGANG-RO, YONGSAN-KU, SEOUL
KOREA
PHONE : +822 - 3232 - 155
FAX : +822 - 3232 - 154

SHOCK, FIRE HAZARD SERVICE TEST :

CAUTION : After servicing this appliance and prior to returning to customer, measure the resistance between either primary AC cord connector pins (with unit NOT connected to AC mains and its Power switch ON), and the face or Front Panel of product and controls and chassis bottom.

Any resistance measurement less than 1 Megohms should cause unit to be repaired or corrected before AC power is applied, and verified before it is return to the user/customer.

Ref. UL Standard No. 1492.

In case of difficulties, do not hesitate to contact the Technical Department at above mentioned address.


1. TECHNICAL SPECIFICATION

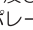
Track System :	4-track, 2-channel stereo
Heads :	Deck I ; 1 Playback (Rotating) Deck II ; 1 Erase and 1 Record/ Playback (Rotating)
Type of Tape :	Cassette tape C-60 and C-90 (Philips type)
Tape Speeds :	4.8 cm/sec, 4.9 cm/sec (When high speed dubbing)
Motors :	DC servo motor x 2
Wow and Flutter :	0.09 % RMS, +/- 0.1 %w. peak
Frequency response (Overall, -20 dB) :	25-18,000Hz +/- 3 dB (at -20 dB, metal tape)
Signal-to-Noise Ratio (Overall) :	More than 74 dB (CCIR/ARM); Dolby C NR on
Fast Winding Time :	Appox. 110sec with a C60 cassette
Inputs :	100 mV/50k ohm input level at maximum
Outputs :	460 mV/47k ohm maximum (0 dB : 200 nWb/mm)
Power Requirements :	120 V AC, 60 Hz (U.S.A./Canada model) 230 V AC, 50 Hz (Europe model)
Power Consumption :	0.16 A
Dimensions (W x H x D) :	440 x 124 x 286 mm (W x H x D)
Weight :	4.0 kg
Standard Accessories :	Remote control unit (RC455SD) x 1 (U.S.A. /Canada model only), Battery (SUM-3, "AA", "R6" type) x 2 (U.S.A. / Canada model only), Input-output connection cord x 1 Remote control cable x 1
Recording Bias :	Approx. 100 kHz
Channel Separation :	More than 40 dB (at 1 kHz)
Phones :	0.95 mW (load impedance 8 ohm to 1.2k ohm)

- Improvements may result in specification or feature changing without notice.

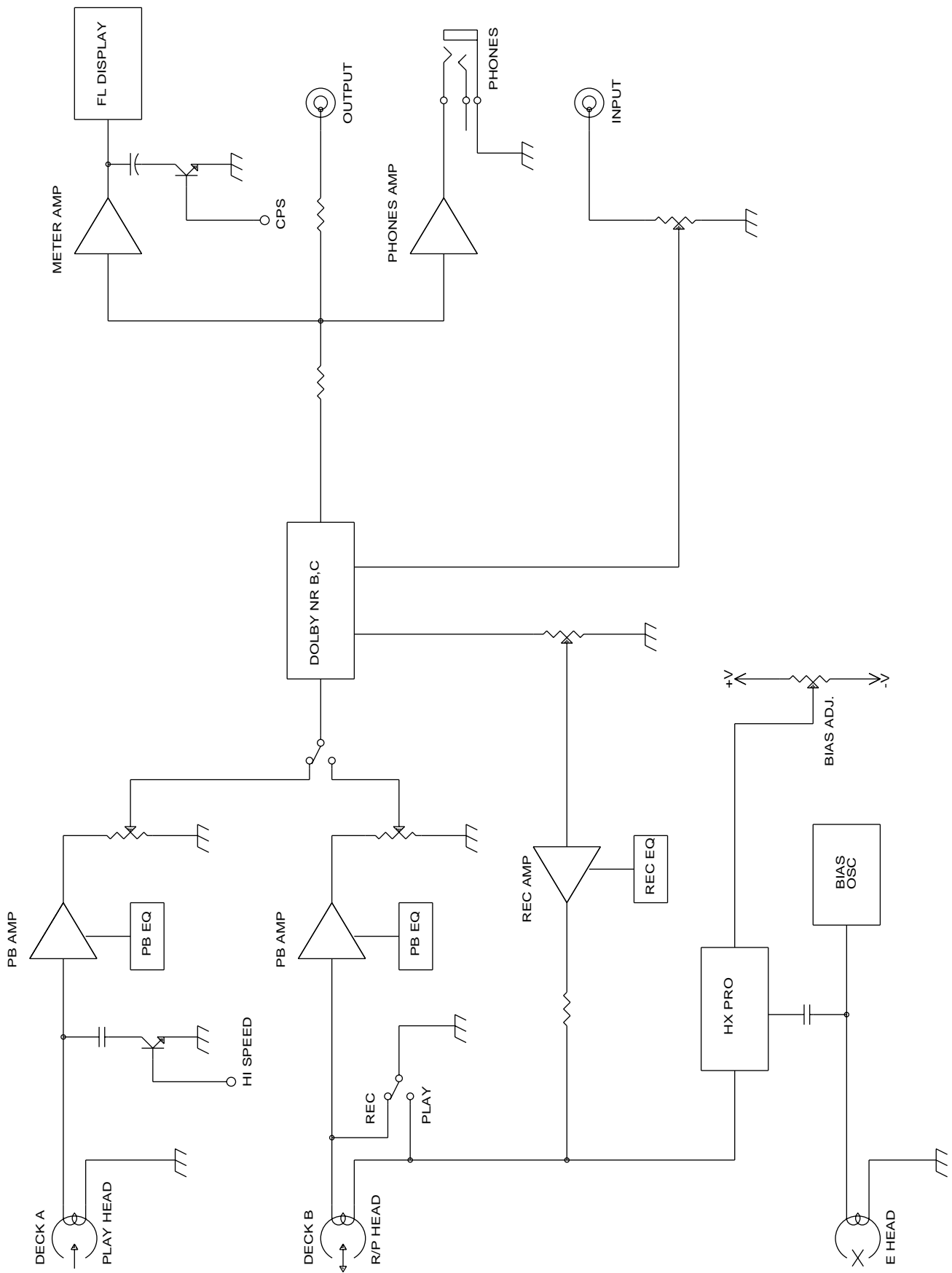
トラック形式	4トラック2チャンネル	ステレオ
ヘッド構成	Deck I : 再生ヘッドX1 Deck II : 録音/再生ヘッドX1 消去ヘッドX1	
使用テープ	C-60, C-90タイプカセットテープ	
テープ速度	4.8cm/sec, 4.9cm/sec (倍速ダビング時)	
モーター	Deck I : DCサーボモーターX1 Deck II : DCサーボモーターX1	
ワウ・フラッター	0.09% (W. RMS) ±0.1% (W. Peak)*	
周波数特性	(総合) メタル 25~18,000Hz (30~17,000Hz ±3 dB*)	
SN比 (総合)	74 dB (ドルビーC NR ON, CCIR-ARM)	
早巻時間	約110秒 (C-60テープ)	
入力	ライン : 100 mV (入力インピーダンス50kΩ)	
出力	ライン : 0.46 mV (負荷インピーダンス47kΩ以上)	
電源	100 V AC, 50 - 60 Hz	
消費電力	0.16 A	
外形寸法	440 x 124 x 286 (W x H x D)	
質量	4.0 kg	
付属品	リモートコントロールユニット (RC 455SD) X1、単3形乾電池X2、入出力コード2本 (1組)、取扱説明書、保証書 RC-5 バス接続コード 1本	

- この仕様は特に表示した項目を除き、当社基準テープを使用して測定したものです。
- 仕様および外観は、改善のため予告なく変更することがあります。
- *印は、日本電子機械工業会 (EIAJ CP - 2311) 規格に定められた測定法によるものです。

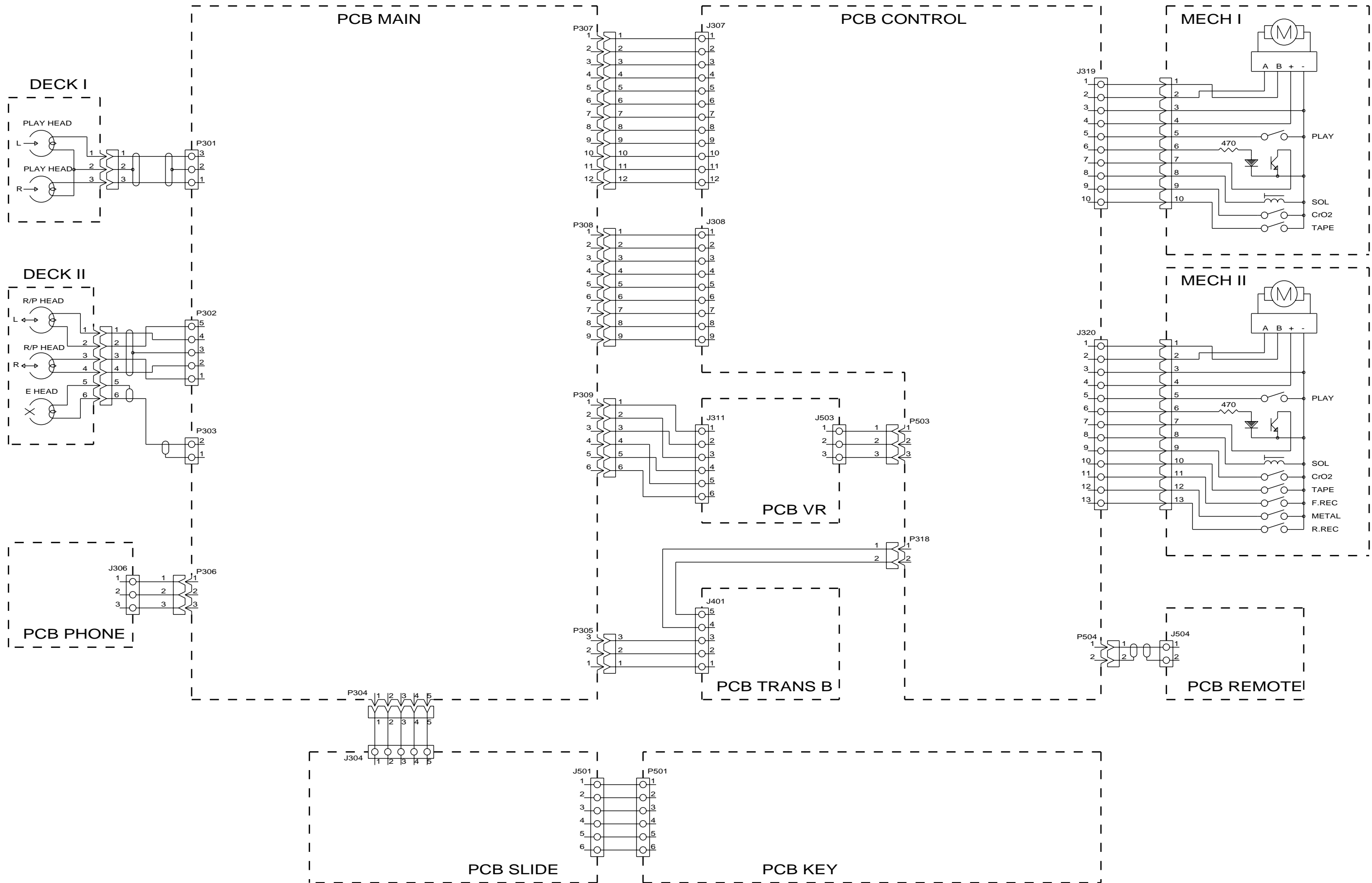
Dolby noise reduction and HX Pro headroom extension manufactured under license from Dolby Laboratories Licensing Corporation. HX Pro originated by Bang & Olufsen.
"DOLBY", the double-D symbol  and "HX PRO" are trademarks of Dolby Laboratories Licensing Corporation.

ドルビーノイズリダクション及びHX PROヘッドルームエクステンションはドルビーラボラトリーズライセンスングコポレーションからの実施権に基づき製造されています。
HX PROはBang&Olufsenの考案です。
ドルビー、DOLBY、ダブルD記号  及びHX PROはドルビーラボラトリーズライセンスングコポレーションの登録商標です。

2. BLOCK DIAGRAM



3. WIRING DIAGRAM



4. ADJUSTMENT PROCEDURE

4-1 MECHANICAL ADJUSTMENT

4-1-1 Wow and flutter (playback method)

In both FWD and REV play modes, these measurements should be made at the beginning, middle, and the end of the tape.

1. Connect a wow-and-flutter meter to the LINE OUT.
2. Load and play a TEAC MTT-111N test tape.
3. Check that readings on the wow-and-flutter meter is within 0.19% (JIS WTD).

4-1-2 Tape speed

1. Connect a frequency counter to the LINE OUT.
2. Load a TEAC MTT-111N test tape and play in FWD direction the beginning of the test tape.
3. Adjust each variable resistor to get the following values.

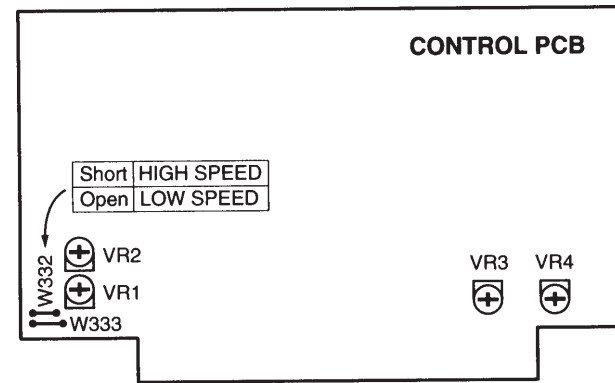


Fig. 2-1

4. In play mode, check that the following values are obtained at the beginning and end of the tape.
Speed drifting : Within 120 Hz (HIGH speed)
Within 60 Hz (LOW speed)

4-1-3 Reel torque

1. Load the cassette torque meter on the deck and read the pointer indication on the dial scale for each tape transport operation. The measured torque should be within the following specified values.
Take-up : 30 to 70g-cm
Supply : 1.5 to 6g-cm
FF/REV : 70 to 150g-cm

Torque metter

MTT-8111W : Forward torque & back tension
MTT-8121W : Reverse torque & back tension
MTT-8242 : Fast forward & rewind static torque

4-1 機構部の調整

4-1-1 ワラ・フラッタ (再生法)

FWD, REV 両方向でテープの巻始め、中間、巻終わりを測定する。

1. LINE OUT端子にワラ・フラッターメーターを接続する。
2. テストテープMTT-111Nを再生する。
3. ワラ・フラッタ値が0.19% (JIS WTD) 以下であることを確認する。

4-1-2 テープスピード

1. LINE OUT 端子に周波数カウンターを接続する。
2. テストテープMTT-111Nの巻始め部をFWD方向で再生する。
3. 周波数値が下表の範囲内になるよう、各調整VRを調整する。

	Adjustment point 調整箇所		Adjustment value 調整値
PLAYBACK	HIGH speed	VR2	6,000 ±30Hz
	LOW speed	VR1	3,000 ±20Hz
REC/PLAY	HIGH speed	VR4	6,000 ±30Hz
	LOW speed	VR3	3,000 ±20Hz

4. 巻始めから巻終わりまで再生し、変動幅を確認する。
変動幅 : 120Hz以内 (ハイスピード)
60Hz以内 (ロースピード)

4-1-3 リートトルク

1. カセット型トルクメーターによる測定値が下記の範囲内であることを確認する。
テイクアップトルク : 30~70g-cm
バックテンショントルク : 1.5~6g-cm
早送り/巻戻しトルク : 70~150g-cm

トルクメーター

MTT-811W : 巻取りトルクとバックテンション (FWD用)
MTT-812 : 巻取りトルクとバックテンション (REV用)
MTT-8242 : 早送り/巻戻しトルク

4-2 ELECTRICAL ADJUSTMENT

4-2-1 Precautions

- Before performing adjustments and checks clean and demagnetize the entire tape parh.
- In general, adjustments and checks are made in the order of Lch then Rch. Double REF. Nos. indicate Lch/Rch. (Example ; R11/R21)
- 0dB is referenced to 0.775V.
- The AC voltmeter used in the procedures must have an input impedance of 1MΩ or more.
- Unless specified otherwise, adjustments and checks are made in FWD direction.

4-2 アンプ部の調整

4-2-1 注意

- アンプ部の調整・確認の前に、テープ走行系の消磁と清掃を行なってください。
- 特に指定のない限り、調整はLch、Rchの順序で行なってください。尚、R11/R21のように記されている回路番号はLch/Rchを示します。
- 0dBは0.775Vです。
- 測定に使用するレベル計の入力インピーダンスは1MΩ以上のものを使用してください。
- 特に指定のない場合、調整および確認はFWD方向で行なってください。

4-2-2 Adjustment locations 調整箇所

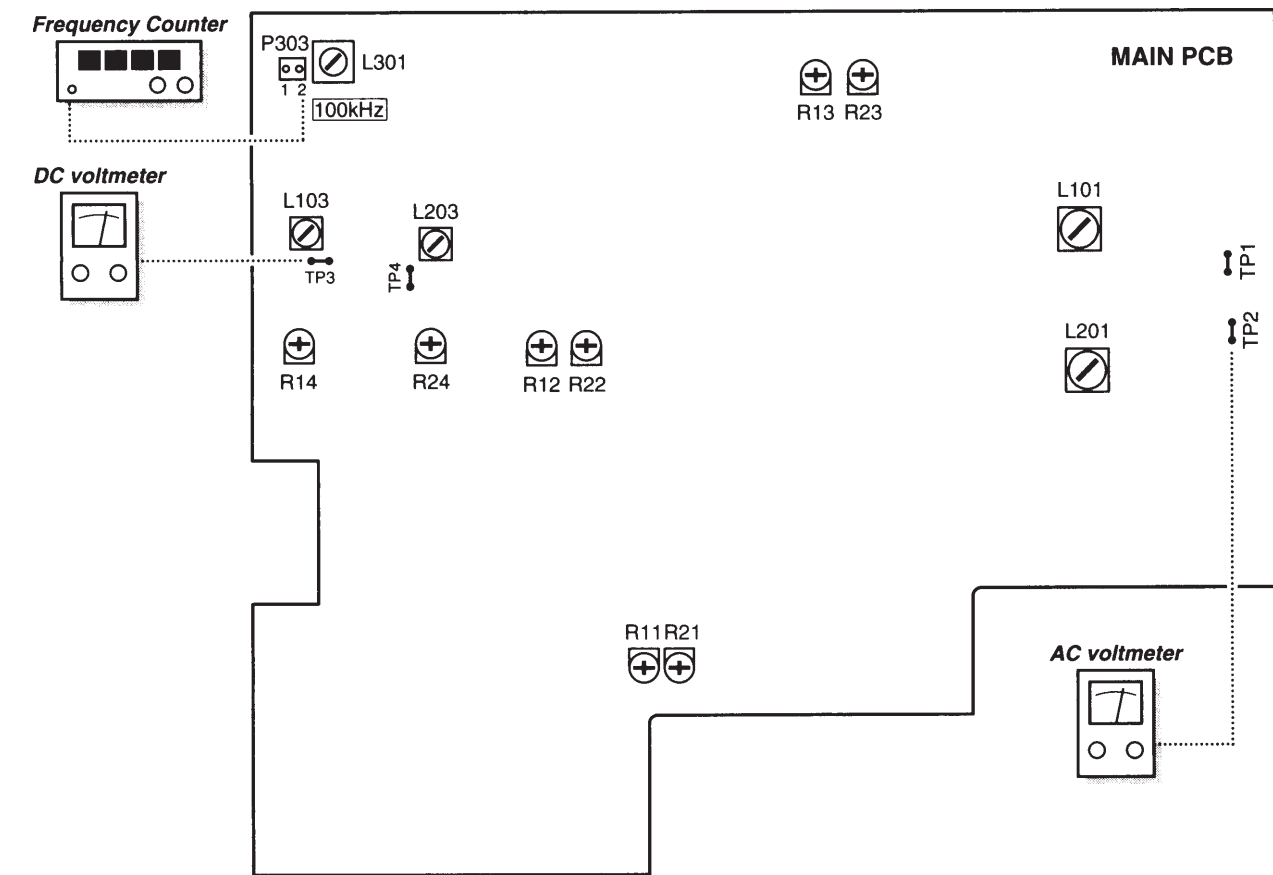


Fig. 2-2

4-2-3 Playback performance 再生系

Deck settings :

Mode : PLAY

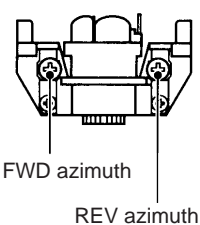
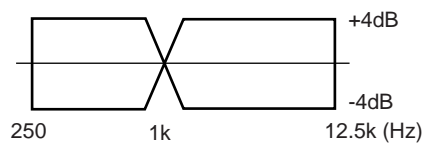
DOLBY NR Switch : OFF

TEAC test tapes :

MTT-150C : For Dolby level calibration

MTT-25702 : For playback frequency response check NORMAL tape

MTT-5513 : For S/N check NORMAL tape

ITEM 項目	SETTING 設定	INPUT SIGNAL 入力信号	ADJUSTMENTS 調整箇所	MEASURING POINTS, RESULT 測定箇所・調整値	REMARKS 備考
1. Head azimuth adjustment アジマス調整	Connection:Fig. 2-4 Check and adjust in FWD, REV respectively FWD、REVそれぞれ 調整・確認	MTT-150C	Check	LINE OUT: Phase: within 45° 位相 : 45° 以内 (Fig. 2-5)	 FWD azimuth REV azimuth
		MTT-25702 (12.5kHz)	Azimuth screws アジマス調整 ねじ	LINE OUT: Maximum output level at L & R -ch Lch、Rchとも出力 最大	
2. DOLBY level ドルビー レベル	Connection:Fig. 2-2 FWD, PLAY	MTT-150C	R11/R21	TP1/TP2: -6dB	PLAYBACK I
			R12/R22		REC/PLAY II
3. Playback output level 再生出力 レベル	Connection:Fig. 2-3 FWD/REV PLAY	MTT-150C	Check	LINE OUT: -4.5 ±1dB	Ref. output level 基準出力レベル
4. Meter level メーター レベル		MTT-150C	Check	LEVEL METER: □□ mark ±1dot	
5. PHONES output level PHONES 出力レベル		MTT-150C	Check	PHONES: -19 ±3dB	8Ω load 8Ω 負荷
6. Playback frequency response 再生周波数 特性	Connection:Fig. 2-3	MTT-25702	Check	 250 1k 12.5k (Hz) +4dB -4dB	
7. Playback S/N ratio 再生S/N比	Connection:Fig. 2-3	MTT-5513 Playback the leader tape portion リーダーテープ 部を再生	Check	46dB min.	Ratio of ref. level to noise 基準出力レベル とノイズの比

4-2-4 Recording performance 録音系

Deck settings :

Mode : REC/PLAY

DOLBY NR Switch : OFF

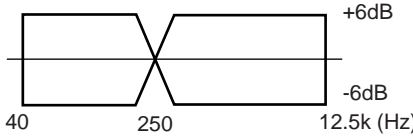
REC LEVEL Control : Specified position (Item 8)

TEAC recording test tapes :

MTT-5513 : For NORMAL

MTT-5563 : For CrO₂

MTT-5572 : For METAL

ITEM 項目	SETTING 設定	INPUT SIGNAL 入力信号	ADJUSTMENTS 調整箇所	MEASURING POINTS, RESULT 測定箇所・調整値	REMARKS 備考
8. Specified LINE input level ライン規定入力レベル	Connection:Fig. 2-3 Mode: REC	LINE IN: 400Hz/-9dB	REC LEVEL	LINE OUT: -4.5dB	After adjusting, do not move (Specific position) 調整後は動かさない こと(規定位置)
9. Bias osc frequency バイアス発振周波数	Connection:Fig. 2-2 TAPE: MTT-5513 Mode: REC	LINE IN: No signal 無信号	L301	P303 Pin 2: 100kHz	
10. Step up coil ステップアップコイル	Connection:Fig. 2-2 TAPE: MTT-5572 Mode: REC	LINE IN: No signal 無信号	L103/L203	TP3/TP4: Min. DC voltage DC電圧最小	
11. Record bias 録音バイアス	Connection:Fig. 2-3 TAPE: MTT-5513	LINE IN: 250Hz/10kHz -42dB	R14/R24	LINE OUT: Nearly equal level at both frequencies 両周波数の録再出力 が同レベル(±0.5dB)	
12. MPX filter MPXフィルター	Connection:Fig. 2-3 Mode: REC	LINE IN: 19kHz/-12dB	L101/L201	30dB min.	Ratio of ref. level to signal 基準出力レベル に対する比
13. Record level 録音レベル	Connection:Fig. 2-3 TAPE: MTT-5513	LINE IN: 400Hz/-12dB	R13/R23	LINE OUT: -7.5dB	
	TAPE: MTT-5563 MTT-5572		Check	LINE OUT: -7.5 ±1dB	
14. Total harmonic distortion 総合歪率	Connection:Fig. 2-3 TAPE: MTT-5513 MTT-5563 MTT-5572	LINE IN: 400Hz/-12dB	Check	NORMAL:2.0% or less CrO ₂ :2.5% or less METAL :3.0% or less	
15. Overall frequency response 録再周波数特性	Connection:Fig. 2-3 TAPE: MTT-5513 MTT-5563 MTT-5572	LINE IN: 40Hz -12.5kHz -42dB	Check		
16. Overall S/N ratio 総合S/N比	Connection:Fig. 2-3 TAPE: MTT-5513 MTT-5563 MTT-5572	LINE IN: No signal 無信号	Check	NORMAL:45dB min. CrO ₂ :46dB min. METAL :46dB min.	Ratio of ref. level to noise 基準出力レベル とノイズの比

ITEM 項目	SETTING 設定	INPUT SIGNAL 入力信号	ADJUSTMENTS 調整箇所	MEASURING RESULT 調整値	REMARKS 備考
17. Erase efficiency 消去率	Connection: Fig. 2-3 TAPE: MTT-5572 1kHz B.P.F in	LINE IN: 1kHz/+1dB	Check	65dB min.	Ratio of the 1kHz recorded portion to the erased portion. 未消去部分と消去部分の比
18. REC MUTE function REC MUTE 効果	Connection: Fig. 2-3 TAPE: MTT-5572 1kHz B.P.F in	LINE IN: 1kHz/+1dB	Check	55dB min.	Ratio of the 1kHz recorded portion to the "REC MUTE" portion. 録音部分と"REC MUTE"部分の比
19. Channel separation チャンネルセパレーション	Connection: Fig. 2-3 TAPE: MTT-5563 1kHz B.P.F in	LINE IN: Lch 1kHz/ -9dB Rch No signal 無信号	Check	35dB min.	Ratio of Lch (1kHz) to Rch (no signal). Lch (1kHz)とRch (無信号)の比
20. Adjacent track crosstalk トラック間クロストーク	Connection: Fig. 2-3 TAPE: MTT-5572	LINE IN: Lch No signal 無信号 Rch 125Hz/ -9dB	Check	40dB min.	Invert tape and play Rch track. Check leakage level against the output reference of previously recorded portion. テープを反転して再生した時のRch出力レベルの比

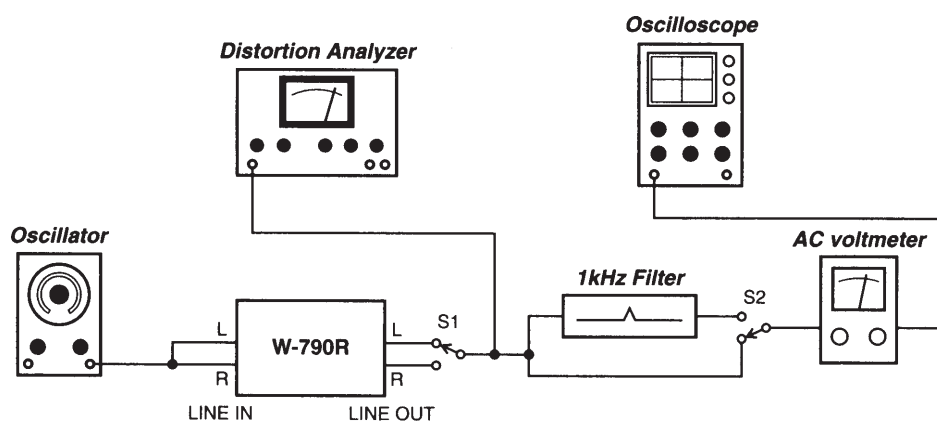


Fig. 2-3

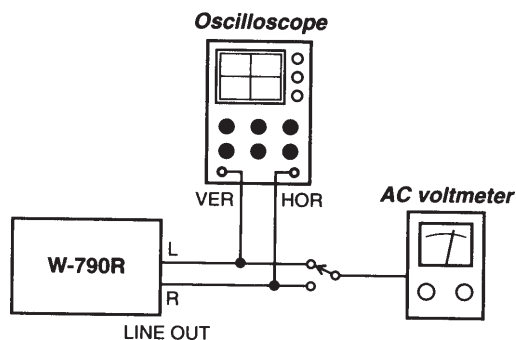


Fig. 2-4

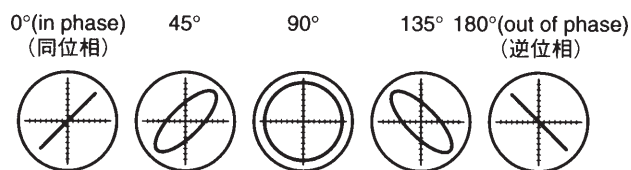


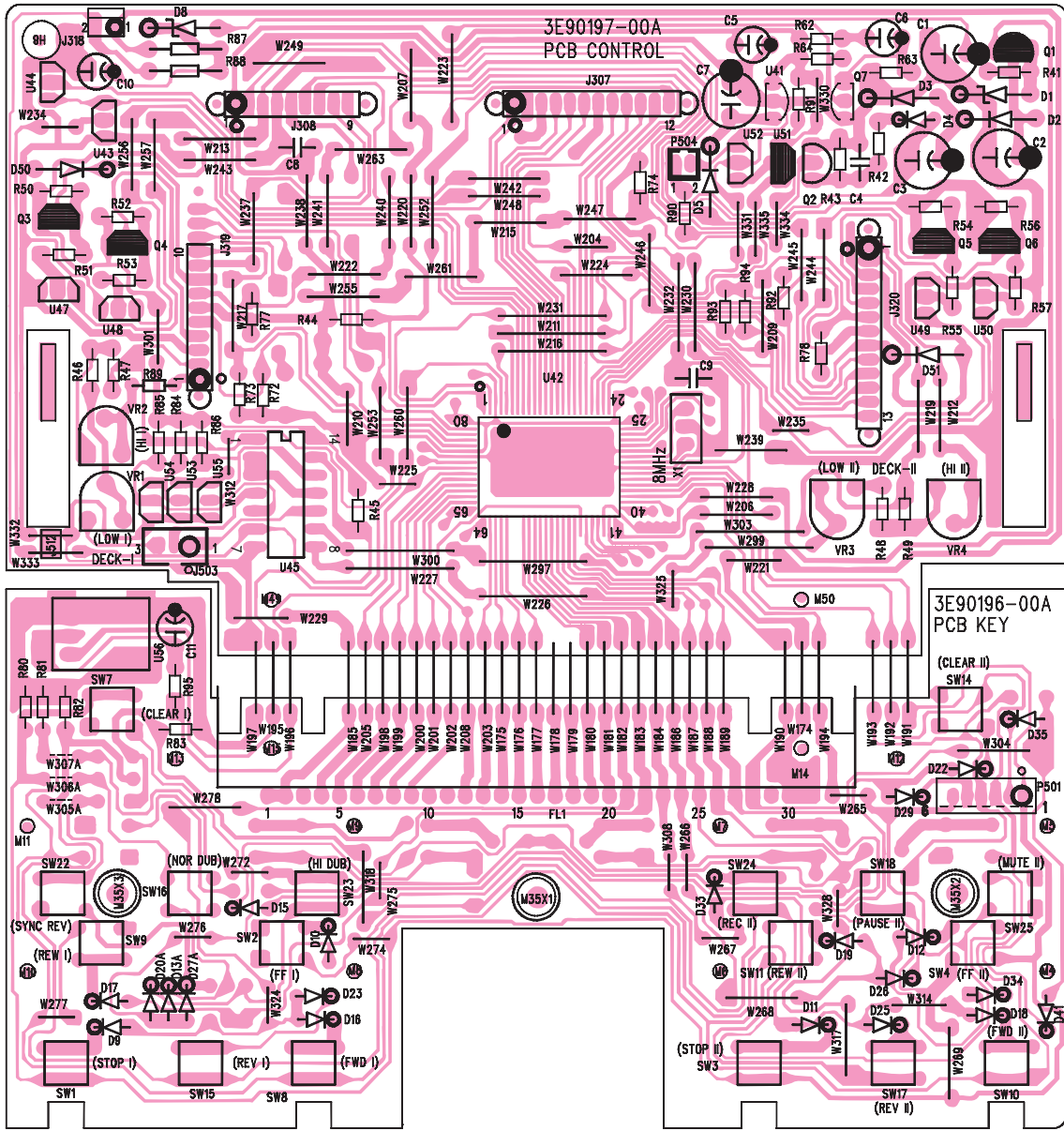
Fig. 2-5

5. SCHEMATIC DIAGRAM AND PARTS LOCATION

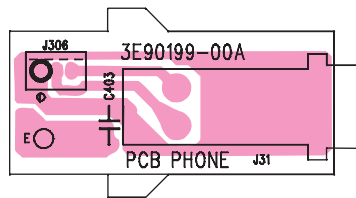
CONTROL PCB/KEY PCB

U44 U43
Q3 Q4
U47 U48 U54 Q53 U55 U45

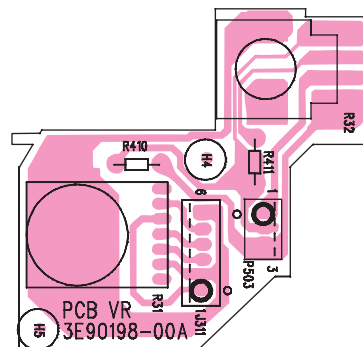
U42 U41 Q7 Q5 Q1
U52 U51 Q2 U49 U50 Q6



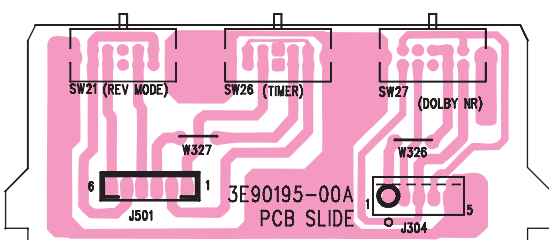
PHONE PCB

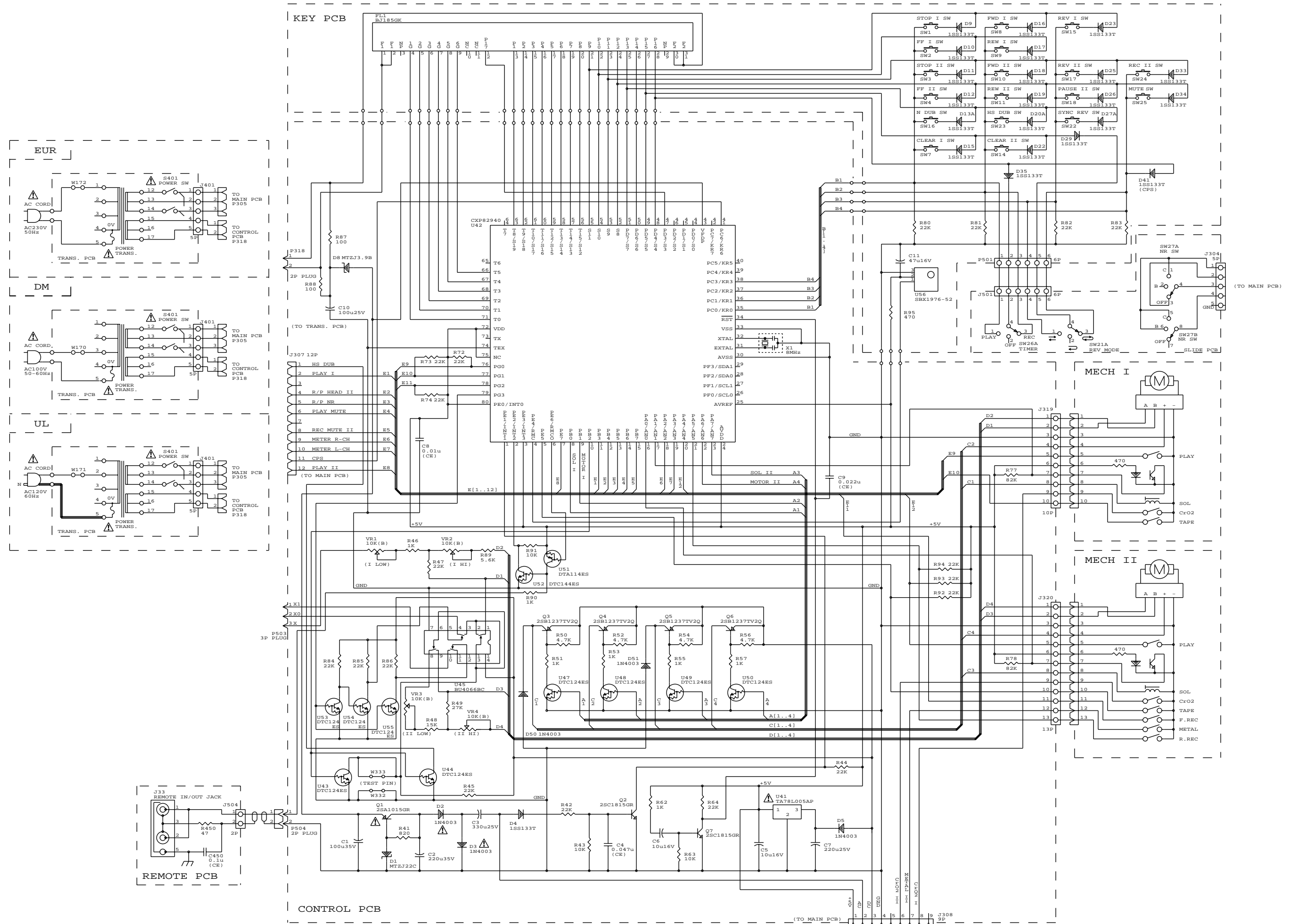


VR PCB



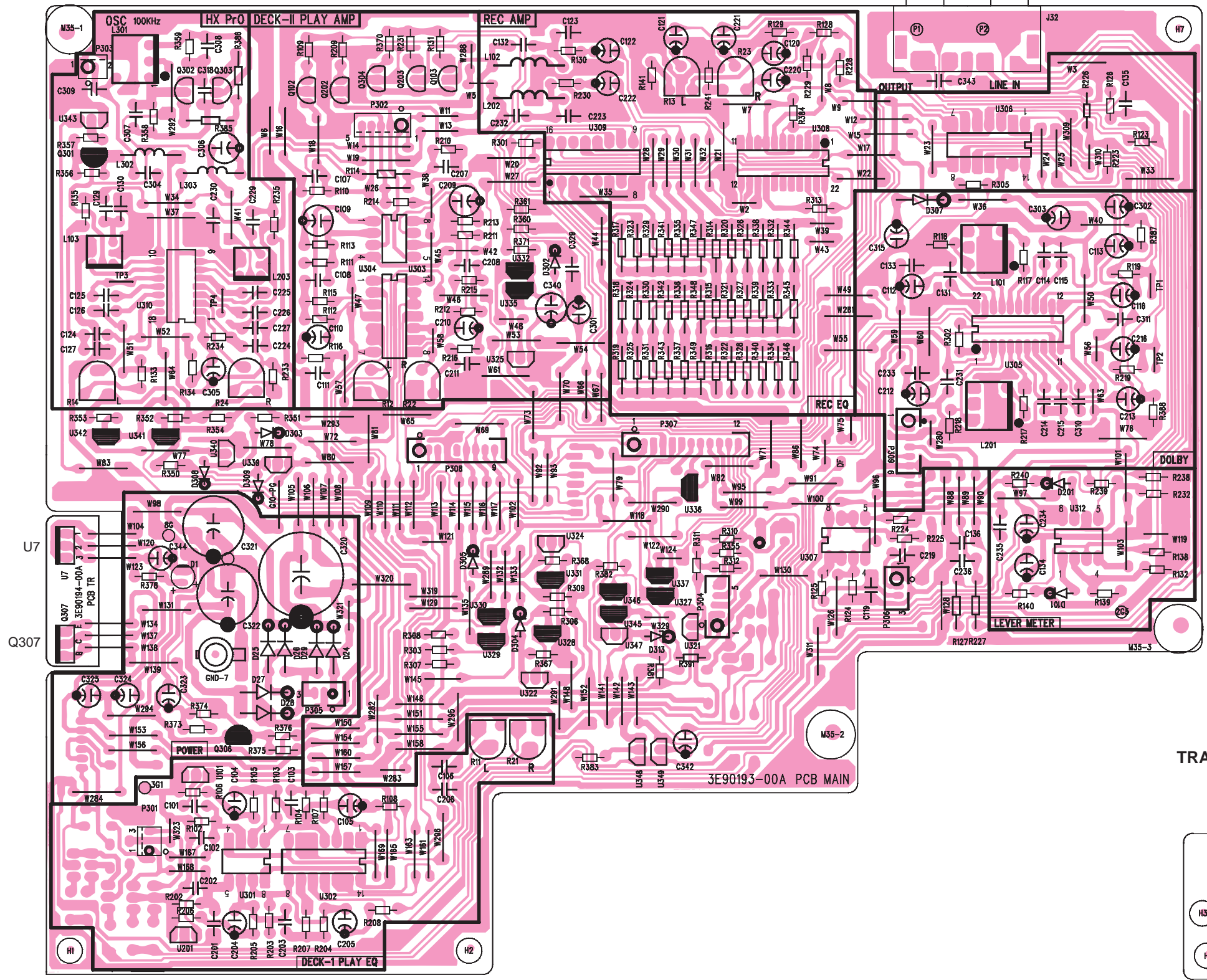
SLIDE PCB



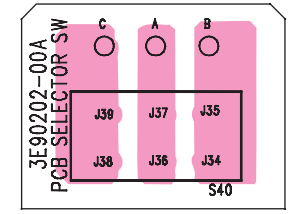


MAIN PCB/TR PCB

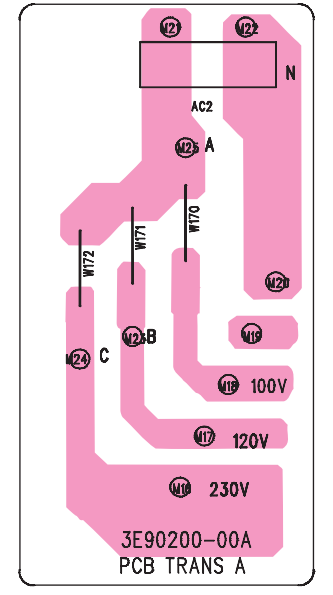
Q302 Q303 U343 U340 U339 Q304 Q203 Q103 U332 U309 U346
 U342 U341 U201 U301 U302 U304 U330 U325 U331 U347 U327 U336 U366 U305 U312
 U301 U302 U304 U329 U322 U328 U348 U349 U321 U308 U307



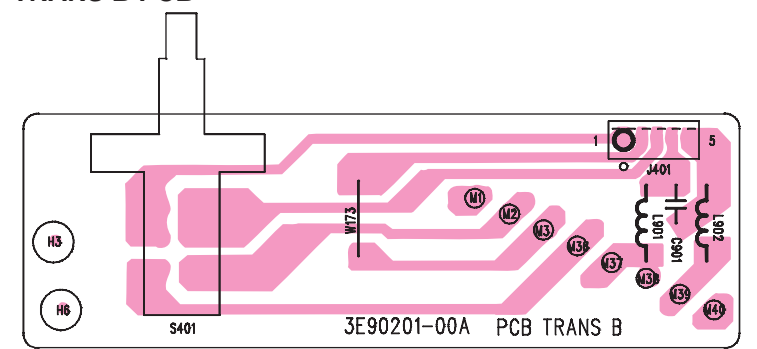
SELECTOR SW PCB

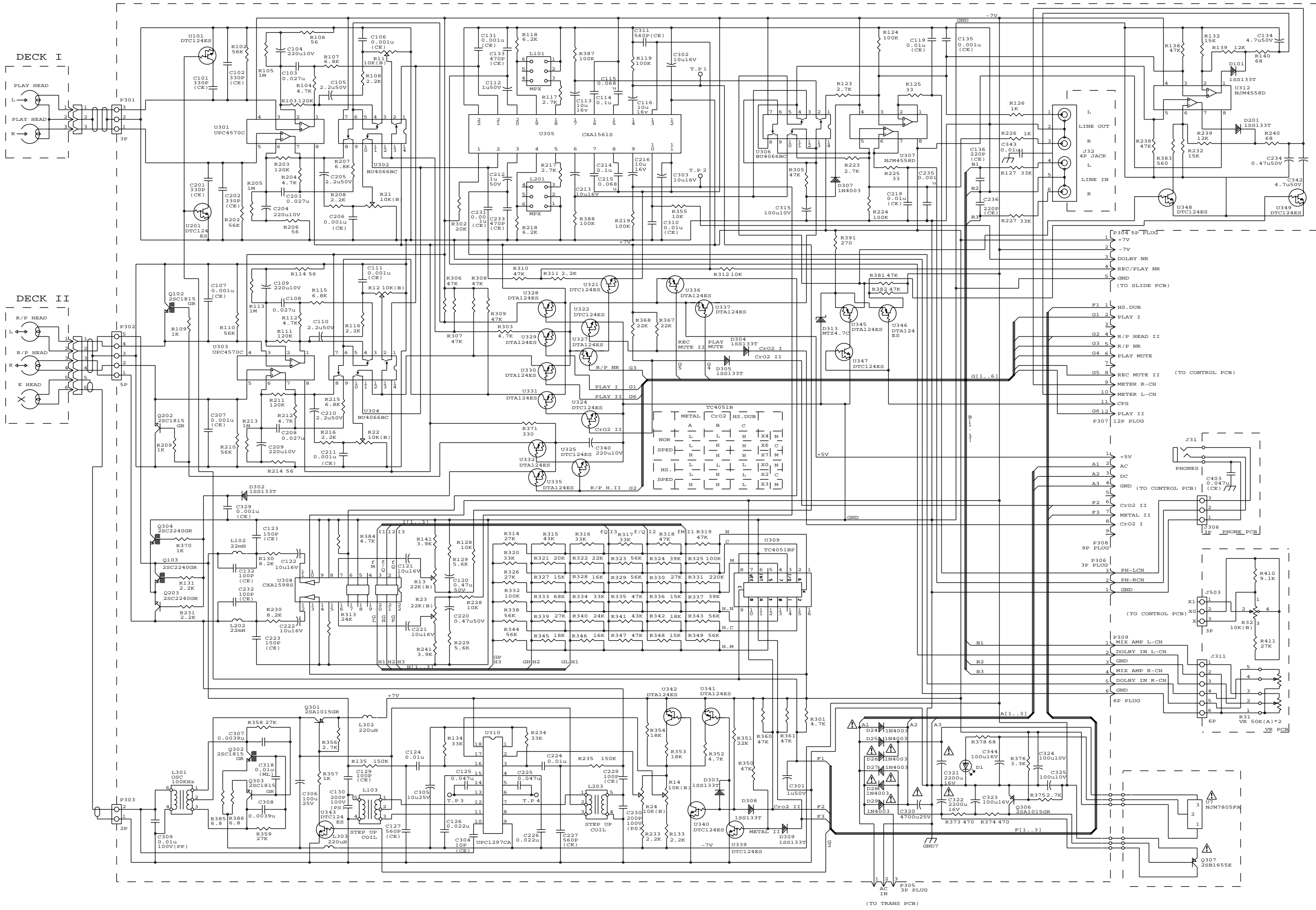


TRANS A PCB



TRANS B PCB





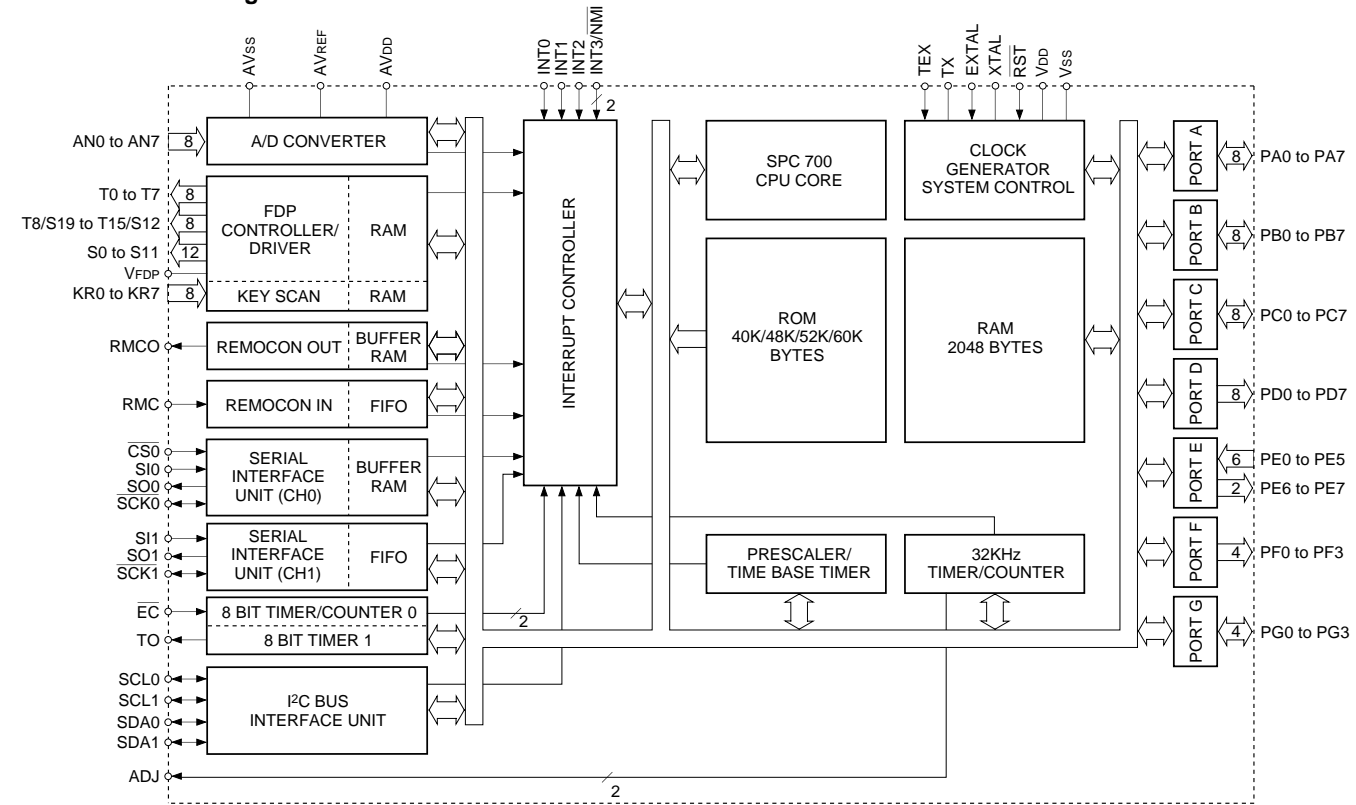
6. MICROPROCESSOR AND IC DATA

U42 : CXT82940

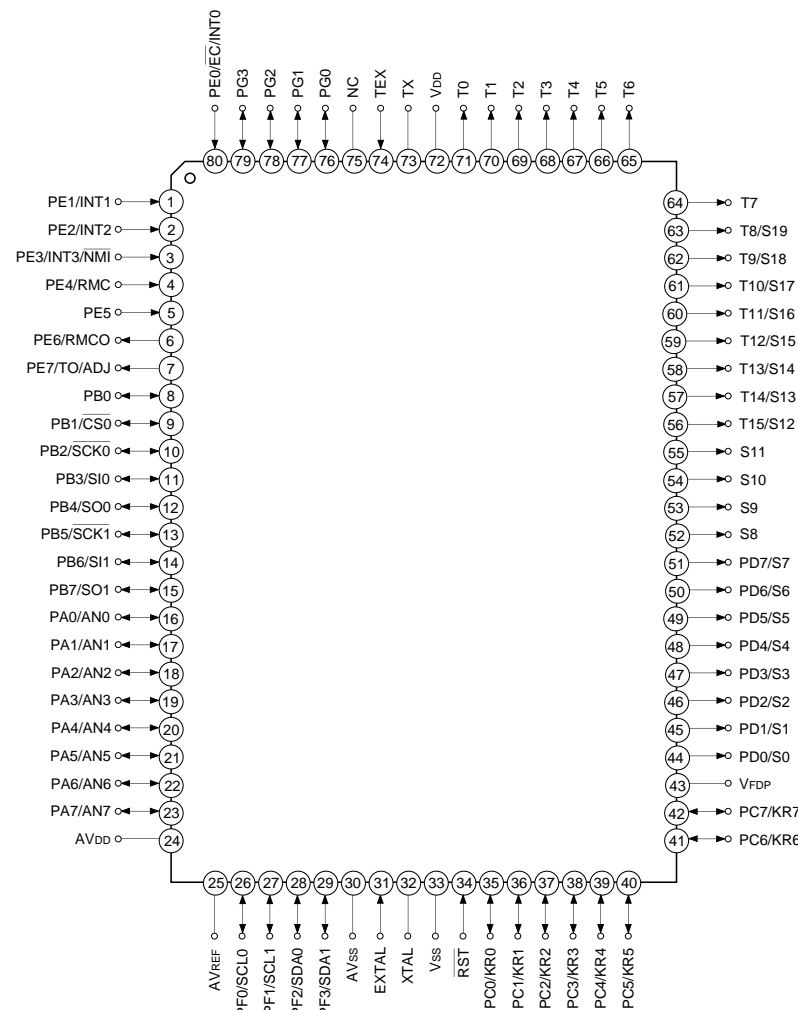
1. Pin Functions

Pin code	I/O	Functions
PA0/AN0 to PA7/AN7	I/O/ Analog input	(Port A) 8-bit I/O port. I/O can be set in a unit of single bits. Incorporation of pull-up resistor can be set through the software in a unit of 4 bits. (8 pins)
PB0	I/O	(Port B) 8-bit I/O port. I/O can be set in a unit of single bits. Incorporation of pull-up resistor can be set through the software in a unit of 4 bits. (8 pins) Chip select input for serial interface (CH0). Serial clock I/O (CH0). Serial data input (CH0). Serial data output (CH0). Serial clock I/O (CH1). Serial data input (CH1). Serial data output (CH1).
PB1/CS0	I/O/Input	
PB2/SCK0	I/O/I/O	
PB3/SI0	I/O/Input	
PB4/SO0	I/O/Output	
PB5/SCK1	I/O/I/O	
PB6/SI1	I/O/Input	
PB7/SO1	I/O/Output	
PC0/KR0 to PC7/KR7	I/O/Input	(Port C) 8-bit I/O port. I/O can be set in a unit of single bits. Capable of driving 12mA sync current. Incorporation of pull-up resistor can be set through the software in a unit of 4 bits. (8 pins)
PE0/INT0/EC	Input/Input/Input	(Port E) 8-bit port. Lower 6 bits are for inputs; upper 2 bits are for outputs. (8 pins) Inputs for external event inputs for timer/counter. (4 pins) Non-maskable interruption request input. Remote control reception circuit input. Carrier output of remote control transmission circuit. Output for the timer/counter rectangular waves, and 32kHz oscillation dividing frequency.
PE1/INT1	Input/Input	
PE2/INT2	Input/Input	
PE3/INT3/NMI	Input/Input/Input	
PE4/RMC	Input/Input	
PE5	Input	
PE6/RMCO	Output/Output	
PE7/TO/ADJ	Output/Output/Output	
PF0/SCL0 PF1/SCL1	Output/I/O	(Port F) 4-bit output port, operating as N-ch open drain output for large current (12mA). (4 pins)
PF2/SDA0 PF3/SDA1	Output/I/O	Transfer data I/Os for I ² C bus interface.
PG0 to PG3	I/O	(Port G) 8-bit I/O port. I/O can be set in a unit of single bits. Incorporation of pull-up resistor can be set through the software in a unit of 4 bits. (4 pins)
PD0/S0 to PD7/S7	Output/Output	(Port D) 8-bit output ports. (8 pins)
S8 to S11	Output	FDP segment signal outputs. (8 pins)
T8/S12 to T15/S19	Output/Output	Outputs for FDP timing signals/segment signals. (8 pins)
T0 to T7	Output	FDP timing signal outputs.
V _{FDP}		FDP voltage supply when incorporated resistor is set by mask option.
EXTAL	Input	Crystal connectors for system clock oscillation. When the clock is supplied externally, input to EXTAL; opposite phase clock should be input to XTAL.
XTAL	Output	
TEX	Input	Crystal connectors for 32kHz timer/counter clock oscillation. Set 32kHz crystal oscillator between TEX and TX. For usage as event input, attach clock source to TEX, and open TX.
TX	Output	
RST	Input	Low-level active, system reset.
NC		NC. Under normal operation, connect to V _{DD} .
AV _{DD}		Positive power supply for A/D converter.
AV _{REF}	Input	Reference voltage input for A/D converter.
AV _{SS}		A/D converter GND.
V _{DD}		Positive power supply.
V _{SS}		GND.

2. Block Diagram

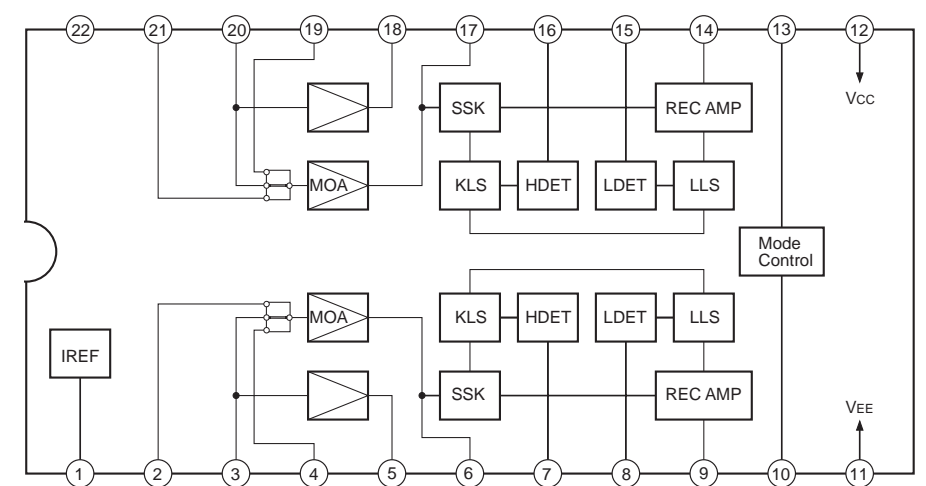


3. Pin Configuration

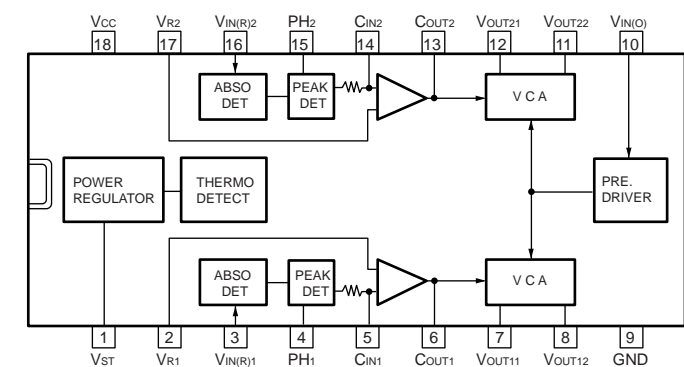


Note) NC (Pin 75) must be connected to V_{DD}.

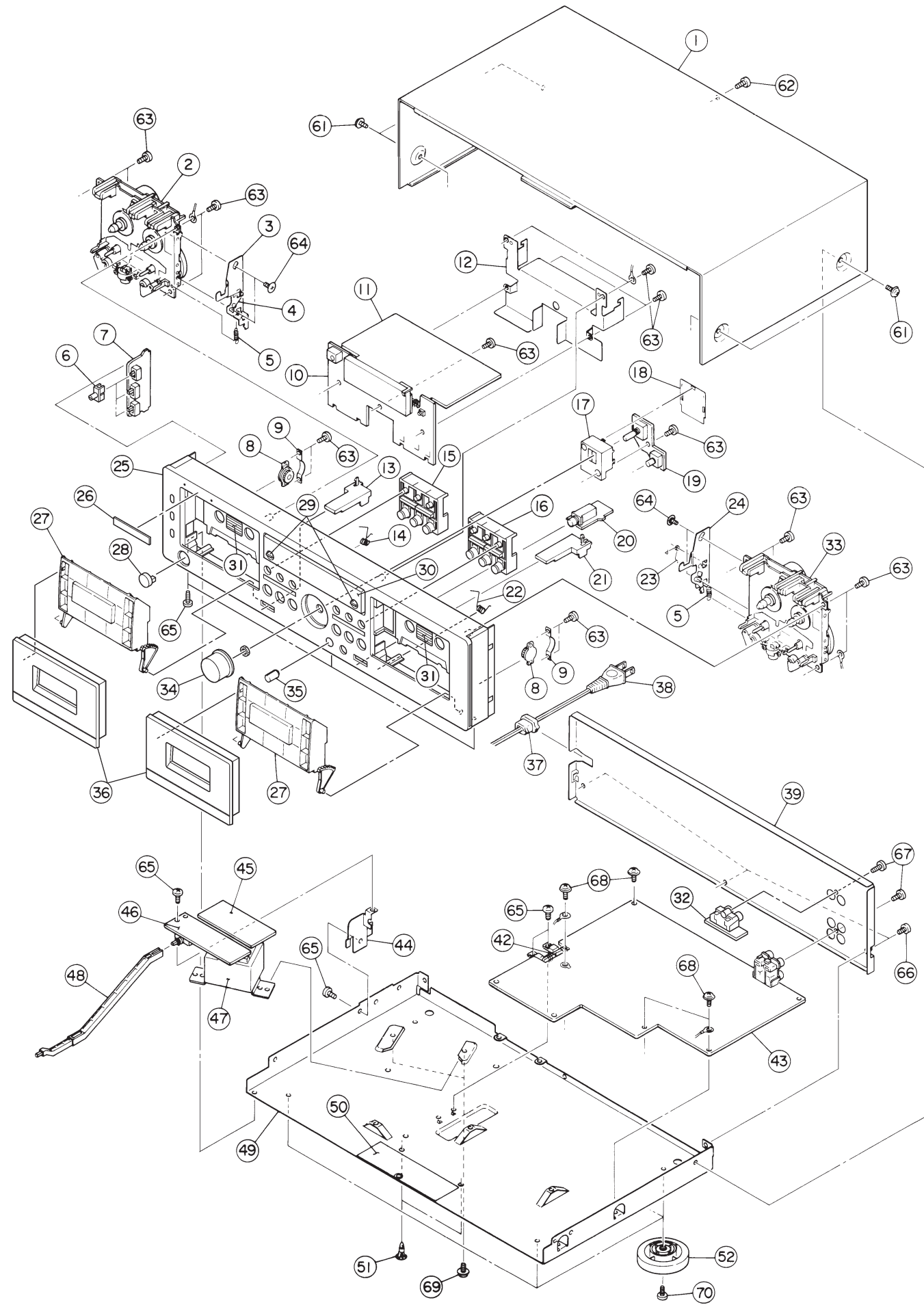
U305 : CXA1561S



U310 : μPC1297CA



7. EXPLODED VIEW AND PARTS LIST



(VERS.:VERSION, U:U.S.A., F:JAPAN, K:FAR EAST, N:EUROPE)

POS. NO	VERS. COLOR	PART NO. (FOR PCS)	DESCRIPTION	PART NO. (MJ)
1		nsp	BONNET	nsp
2		9965 000 01104	MECH ASSY,PB CMAL2Z093A	286W304500
3		9965 000 01105	HOOK,EJECT (L)	286W258110
4		9965 000 01106	SPRING,HOOK L	286W115110
5		9965 000 01107	SPRING EJECT W-790R	286W115120
6		9965 000 01108	KNOB,SLIDE	286W154020
8		9965 000 01109	DAMPER,GEAR 001P-O-L NF	286W130110
13		9965 000 01110	BUTTON,EJECT L (B)	286W270140
14		9965 000 01111	SPRING,L	286W115130
15		9965 000 01112	BUTTON,MAIN A	286W270110
16		9965 000 01113	BUTTON,MAIN B	286W270120
21		9965 000 01114	BUTTON,EJECT R (B)	286W270130
22		9965 000 01115	SPRING,R	286W115140
23		9965 000 01116	SPRING,HOOK R	286W115150
24		9965 000 01117	HOOK,EJECT (R)	286W258120
25		9965 000 01118	PANEL,FRONT	286W248010
26		4822 454 11825	MZ BADGE	185J251012
27		9965 000 01119	LEAD	185W271110
28		9965 000 01120	BUTTON,POWER	286W270010
29		9965 000 01121	BUTTON,RESET	286W270050
30		9965 000 01122	WINDOW,FL	286W158010
31		9965 000 01123	PLATE,REFLECT	286W274110
33		9965 000 01124	MECH ASSY,R/P CMAL2Z094A	286W304510
34		9965 000 01125	KNOB,REC VOLUME	286W154010
35		9965 000 01126	KNOB,M (B)	286W154030
36		9965 000 01127	LID,CASSETTE	286W053010
▲47		9965 000 01128	MAINS TRANSFORMER W0020B	*TS001060R
48		9965 000 01129	LINKAGE,POWER	286W121110
52		nsp	FOOT ASSY, SD455	nsp
61		nsp	SCREW J, S M3X6 BLK	nsp
62		nsp	SCREW VPC M3X8 BLK	nsp
63		nsp	SCREW BPP M3X8	nsp
64		nsp	SCREW 2.6X4.5	nsp
65		nsp	SCREW BPS M3X6	nsp
66		nsp	SCREW BPS M3X6 BLK	nsp
67		nsp	SCREW BPP M3X8 BLK	nsp
68		nsp	SCREW J, S M3X6	nsp
69		nsp	SCREW BPAW M4X8	nsp
70		nsp	SCREW BPS M3X8	nsp
			PACKING	
	F	nsp	USER GUIDE (JPN)	286W851110
	U	nsp	USER GUIDE (USA)	286W851250
	N	9965 000 01130	USER GUIDE (EUR)	286W851310
	F U	nsp	REMOTE CONTROL UNIT RC455SD	ZK240W0010
			NOT STANDARD SPARE PARTS	
		nsp	CUSHION TOP	286W809010
		nsp	CUSHION BOTTOM	286W809020
		nsp	CARTON BOX INNER	286W801010

8. ELECTRICAL PARTS LIST

ASSIGNMENT OF COMMON PARTS CODES.

RESISTORS

R*** : 1) GD05 x x x 140, Carbon film fixed resistor, ±5% 1/4W
 R*** : 2) GD05 x x x 160, Carbon film fixed resistor, ±5% 1/6W
 ↓ Resistance value

Examples
 ① Resistance value
 0.1Ω 001 10Ω 100 1kΩ 102 100kΩ 104
 0.5Ω 005 18Ω 180 2.7kΩ 272 680kΩ 684
 1Ω 010 100Ω 101 10kΩ 103 1MΩ 105
 6.8Ω 068 390Ω 391 22kΩ 223 4.7MΩ 475

Note : Please distinguish 1/4W from 1/6W by the shape of parts used actually.

CAPACITORS

C*** : CERAMIC CAP.

3) DD1 x x x x 370, Ceramic capacitor
 Disc type
 Temp. coeff. P350~N1000, 50V
 ↓ Capacity value
 ↓ Tolerance

Examples
 ② Tolerance (Capacity deviation)
 ±0.25 pF 0
 ±0.5 pF 1
 ±5 % 5
 Tolerance of COMMON PARTS handled here are as follows :
 0.5 pF - 5 pF ± 0.25 pF
 6 pF - 10 pF ± 0.5 pF
 12 pF - 560 pF ± 5 %

③ Capacity value
 0.5 pF 005 3 pF 030 100 pF 101
 1 pF 010 10 pF 100 220 pF 221
 1.5 pF 015 47 pF 470 560 pF 561

C*** : CERAMIC CAP.

4) DK16 x x x 300, High dielectric constant ceramic capacitor
 Disc type
 Temp. chara. 2B4, 50V
 ↓ Capacity value

Examples
 ④ Capacity value
 100 pF 101 1000 pF 102 10000 pF 103
 470 pF 471 2200 pF 222

C*** : 5) ELECTROLY CAP. (), 6) FILM CAP ()

5) EA x x x x x 10, Electrolytic capacitor
 One-way lead type, Tolerance ±20%
 ↓ Working voltage
 ↓ Capacity value

Examples
 ⑤ Capacity value
 0.1 μF 104 4.7 μF 475 100 μF 107
 0.33 μF 334 10 μF 106 330 μF 337
 1 μF 105 22 μF 226 1100 μF 118
 2200 μF 228
 ⑥ Working voltage
 6.3 V 006 25 V 025
 10 V 010 35 V 035
 16 V 016 50 V 050

6) DF15 x x x 350 → Plastic film capacitor
 DF15 x x x 310 → One-way type, Mylar ±5% 50V
 DF16 x x x 310 → Plastic film capacitor
 One-way type, Mylar ±10% 50V
 ↓ Capacity value

Examples
 ⑦ Capacity value
 0.001 μF (1000 pF) 102 0.1 μF 104
 0.0018 μF 182 0.56 μF 564
 0.01 μF 103 1 μF 105
 0.015 μF 153

NOTE 1) The above CODES (R***, R***, C***, C*** and C***) are omitted on the schematic diagram in some case.
 2) On the occasion, be confirmed the common parts on the parts list.
 3) Refer to "Common Parts List" for the other common parts (R105, DD4, DK4).

NOTE ON SAFETY FOR FUSIBLE RESISTOR :

The suppliers and their type numbers of fusible resistors are as follows ;

1. KOA Corporation
 Part No. (MJI) Type No. (KOA) Description
 NH05 x x x 140 RF25S x x x x Ω J ±5% (1/4W)
 NH05 x x x 120 RF50S x x x x Ω J ±5% (1/2W)
 NH85 x x x 110 RF73B2A x x x x Ω J ±5% (1/10W)
 NH95 x x x 140 RF73B2E x x x x Ω J ±5% (1/4W)
 ↓ Resistance value ↓ Resistance value (0.1Ω - 10kΩ)

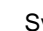
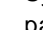
2. Matsushita Electronic Components Co., Ltd
 Part No. (MJI) Type No. (MEC) Description
 NF05 x x x 140 ERD-2FCJ x x x (±5% 1/4W)
 RF05 x x x 140 ↓
 NF02 x x x 140 ERD-2FCG x x x (±2% 1/4W)
 RF02 x x x 140 ↓
 ↓ Resistance value

Examples
 * Resistance value
 0.1Ω 001 10Ω 100 1kΩ 102 100kΩ 104
 0.5Ω 005 18Ω 180 2.7kΩ 272 680kΩ 684
 1Ω 010 100Ω 101 10kΩ 103 1MΩ 105
 6.8Ω 068 390Ω 391 22kΩ 223 4.7MΩ 475


ABBREVIATION AND MARKS

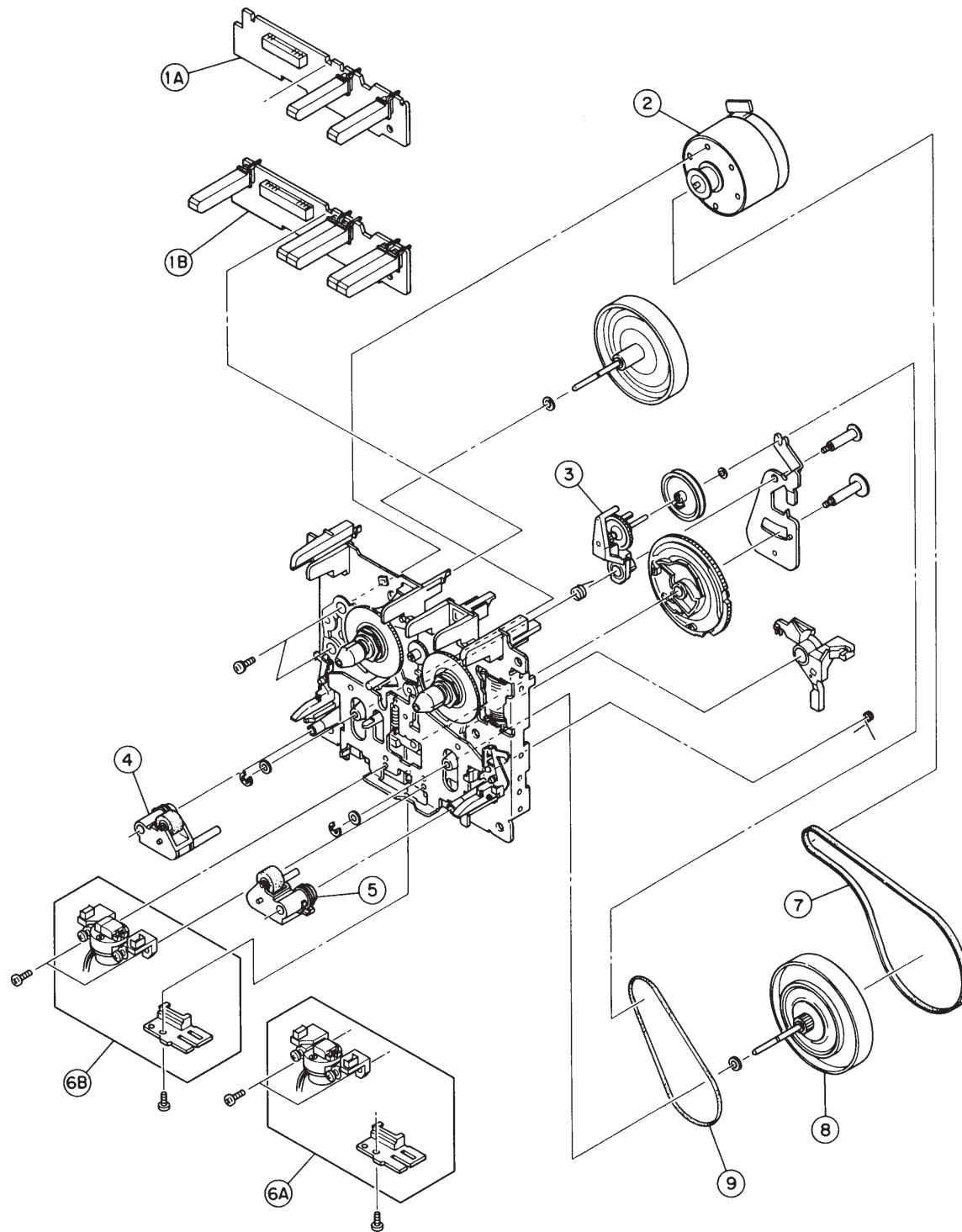
ANT. : ANTENNA	BATT. : BATTERY
CAP. : CAPACITOR	CER. : CERAMIC
CONN. : CONNECTING	DIG. : DIGITAL
HP : HEADPHONE	MIC. : MICROPHONE
μ-PRO : MICROPROCESSOR	REC. : RECORDING
RES. : RESISTOR	SPK : SPEAKER
SW : SWITCH	TRANSF. : TRANSFORMER
TRIM. : TRIMMING	TRS. : TRANSISTOR
VAR. : VARIABLE	X' TAL : CRYSTAL

NOTE ON SAFETY:

Symbol  Fire or electrical shock hazard. Only original parts should be used to replaced any part marked with symbol  Any other component substitution (other than original type), may increase risk of fire or electrical shock hazard.

安全上の注意 :

 がついている部品は、安全上重要な部品です。必ず指定されている部品番号の部品を使用して下さい。



(VERS. :VERSION, U.U.S.A., F:JAPAN, K:FAR EAST, N:EUROPE)

POS. NO	VERS. COLOR	PART NO. (FOR PCS)	DESCRIPTION	PART NO. (MJI)
DM1A		9965 000 01131	PCB CONTROL (PB)	*ZZ001340R
DM1B		9965 000 01132	PCB CONTROL (REC/PB)	*ZZ001350R
DM2		9965 000 01133	MOTOR MAIN	*MM000940R
DM3		9965 000 01134	CLUTCH ASSY	286W061500
DM4		4822 528 11202	POLLER PINCH (L)	240W255010
DM5		4822 528 11203	POLLER PINCH (R)	240W255020
DM6A		9965 000 01135	PLATE HEAD (PB)	*LH200110R
DM6B		9965 000 01136	PLATE HEAD (REC/PB)	*LH400170R
DM7		4822 358 31201	BELT MAIN	240W264010
DM8		4822 528 11204	CAPSTAN ASSY	240W061020
DM9		4822 358 31124	F/R BELT	240W264020

(VERS.:VERSION, U:U.S.A., F:JAPAN, K:FAR EAST, N:EUROPE)

POS. NO	VERS. COLOR	PART NO. (FOR PCS)	DESCRIPTION	PART NO. (MJI)
MAIN CIRCUIT BOARD CAPACITORS				
C101	nsp	CER.	330pF 50V	nsp
C102	nsp	CER.	330pF 50V	nsp
C103	nsp	Mylar	0.027 μ F 100V	nsp
C104	nsp	ELECT	220 μ F 10V	nsp
C105	nsp	ELECT	2.2 μ F 50V	nsp
C106	nsp	CER.	1000pF 50V	nsp
C107	nsp	CER.	1000pF 50V	nsp
C108	nsp	Mylar	0.027 μ F 100V	nsp
C109	nsp	ELECT	220 μ F 10V	nsp
C110	nsp	ELECT	2.2 μ F 50V	nsp
C111	nsp	CER.	1000pF 50V	nsp
C112	nsp	ELECT	1 μ F 50V	nsp
C113	nsp	ELECT	10 μ F 16V	nsp
C114	nsp	CER.	0.1 μ F 50V	nsp
C115	nsp	Mylar	0.068 μ F 100V	nsp
C116	nsp	ELECT	10 μ F 16V	nsp
C119	nsp	CER.	0.01 μ F 50V	nsp
C120	nsp	ELECT	0.47 μ F 50V	nsp
C121	nsp	ELECT	10 μ F 16V	nsp
C122	nsp	ELECT	10 μ F 16V	nsp
C123	nsp	CER.	150pF 50V	nsp
C124	nsp	CER.	0.01 μ F 50V	nsp
C125	nsp	Mylar	0.047 μ F 100V	nsp
C126	nsp	Mylar	0.022 μ F 100V	nsp
C127	nsp	CER.	560pF 50V	nsp
C129	nsp	CER.	100pF 50V	nsp
C130	nsp	Poly	200pF 100V	nsp
C131	nsp	CER.	1000pF 50V	nsp
C132	nsp	CER.	100pF 50V	nsp
C133	nsp	CER.	470pF 50V	nsp
C134	nsp	ELECT	4.7 μ F 50V	nsp
C135	nsp	CER.	1000pF 50V	nsp
C136	nsp	CER.	220pF 50V	nsp
C201	nsp	CER.	330pF 50V	nsp
C202	nsp	CER.	330pF 50V	nsp
C203	nsp	Mylar	0.027 μ F 100V	nsp
C204	nsp	ELECT	220 μ F 10V	nsp
C205	nsp	ELECT	2.2 μ F 50V	nsp
C206	nsp	CER.	1000pF 50V	nsp
C207	nsp	CER.	1000pF 50V	nsp
C208	nsp	Mylar	0.027 μ F 100V	nsp
C209	nsp	ELECT	220 μ F 10V	nsp
C210	nsp	ELECT	2.2 μ F 50V	nsp
C211	nsp	CER.	1000pF 50V	nsp
C212	nsp	ELECT	1 μ F 50V	nsp
C213	nsp	ELECT	10 μ F 16V	nsp
C214	nsp	CER.	0.1 μ F 50V	nsp
C215	nsp	Mylar	0.068 μ F 100V	nsp
C216	nsp	ELECT	10 μ F 16V	nsp
C219	nsp	CER.	0.01 μ F 50V	nsp
C220	nsp	ELECT	0.47 μ F 50V	nsp
C221	nsp	ELECT	10 μ F 16V	nsp
C222	nsp	ELECT	10 μ F 16V	nsp
C223	nsp	CER.	150pF 50V	nsp
C224	nsp	CER.	0.01 μ F 50V	nsp
C225	nsp	Mylar	0.047 μ F 100V	nsp
C226	nsp	Mylar	0.022 μ F 100V	nsp
C227	nsp	CER.	560pF 50V	nsp
C229	nsp	CER.	100pF 50V	nsp
C230	nsp	Poly	200pF 100V	nsp
C231	nsp	CER.	1000pF 50V	nsp
C232	nsp	CER.	100pF 50V	nsp
C233	nsp	CER.	470pF 50V	nsp
C234	nsp	ELECT	0.47 μ F 50V	nsp
C235	nsp	CER.	1000pF 50V	nsp
C236	nsp	CER.	220pF 50V	nsp

(VERS.:VERSION, U:U.S.A., F:JAPAN, K:FAR EAST, N:EUROPE)

POS. NO	VERS. COLOR	PART NO. (FOR PCS)	DESCRIPTION	PART NO. (MJI)
C301		nsp	ELECT 1 μ F 50V	nsp
C302		nsp	ELECT 10 μ F 16V	nsp
C303		nsp	ELECT 10 μ F 16V	nsp
C304		nsp	CER. 10pF 50V	nsp
C305		nsp	ELECT 10 μ F 25V	nsp
C306		nsp	ELECT 100 μ F 25V	nsp
C307		nsp	Mylar 3900pF 100V	nsp
C308		nsp	Mylar 3900pF 100V	nsp
C309		nsp	Poly 0.01 μ F 100V	nsp
C310		nsp	CER. 0.01 μ F 50V	nsp
C311		nsp	CER. 560pF 50V	nsp
C315		nsp	ELECT 100 μ F 10V	nsp
C318		nsp	CER. 0.01 μ F 50V	nsp
▲ C320		4822 124 81133	ELECT 4700 μ F 25V	OA47802520
▲ C321		9965 000 01137	ELECT 2200 μ F 16V	*EA000670R
▲ C322		9965 000 01137	ELECT 2200 μ F 16V	*EA000670R
C323		nsp	ELECT 100 μ F 16V	nsp
C324		nsp	ELECT 100 μ F 10V	nsp
C325		nsp	ELECT 100 μ F 10V	nsp
C329		nsp	CER. 1000pF 50V	nsp
C340		nsp	ELECT 220 μ F 10V	nsp
C342		nsp	ELECT 4.7 μ F 50V	nsp
C343		nsp	Mylar 0.01 μ F 100V	nsp
C344		nsp	ELECT 100 μ F 16V	nsp
DIODES				
D1		9965 000 01139	LED. RED LH2041	*HI100830R
▲ D24		4822 130 31878	1N4003	HD200010AR
▲ D29		4822 130 32778	1SS133	HD20015210
D101		4822 130 32778	1SS133	HD20015210
D201		4822 130 32778	1SS133	HD20015210
D302		4822 130 32778	1SS133	HD20015210
D305		4822 130 31878	1N4003	HD200010AR
D307		4822 130 32778	1SS133	HD20015210
D308		4822 130 32778	1SS133	HD20015210
D309		4822 130 32778	1SS133	HD20015210
D313		9965 000 01138	Zener Diode MTZJ4.7C	*HD301690R
INTEGRATED CIRCUITS				
U301		4822 209 14617	UPC4570C	*HC103780R
U303		4822 209 14617	UPC4570C	*HC103780R
U302		4822 209 61973	BU4066BC	HC406621B0
U304		4822 209 61973	BU4066BC	HC406621B0
U305		4822 209 16073	CXA1561S	*HC104140R
U306		4822 209 61973	BU4066BC	HC406621B0
U307		4822 209 83631	NJM4558D	HC10003090
U308		4822 209 16849	CXA1598S	*HC105090R
U309		4822 209 63181	TC4051BP	HC405105B0
U310		4822 209 72874	UPC1297CA	HC100100AR
U312		4822 209 83631	NJM4558D	HC10003090
TRANSISTORS				
U101		4822 130 42683	DTC124ES	BA20024210
U201		4822 130 42683	DTC124ES	BA20024210
U321		4822 130 42683	DTC124ES	BA20024210
U322		4822 130 42683	DTC124ES	BA20024210
U324		4822 130 42683	DTC124ES	BA20024210
U325		4822 130 42683	DTC124ES	BA20024210
U327		4822 130 42593	DTA124ES	BA10016210
U332		4822 130 42593	DTA124ES	BA10016210
U335		4822 130 42593	DTA124ES	BA10016210
U336		4822 130 42593	DTA124ES	BA10016210
U337		4822 130 42593	DTA124ES	BA10016210
U339		4822 130 42683	DTC124ES	BA20024210
U340		4822 130 42683	DTC124ES	BA20024210
U341		4822 130 42593	DTA124ES	BA10016210

(VERS.:VERSION, U:U.S.A., F:JAPAN, K:FAR EAST, N:EUROPE)

POS. NO	VERS. COLOR	PART NO. (FOR PCS)	DESCRIPTION	PART NO. (MJI)
U342		4822 130 42593	DTA124ES	BA10016210
U343		4822 130 42683	DTC124ES	BA20024210
U345		4822 130 42593	DTA124ES	BA10016210
U346		4822 130 42593	DTA124ES	BA10016210
U347		4822 130 42683	DTC124ES	BA20024210
U348		4822 130 42683	DTC124ES	BA20024210
U349		4822 130 42683	DTC124ES	BA20024210
Q102		4822 130 41306	2SC1815GR	HT318151C0
Q103		4822 130 43233	2SC2240GR	HT322401A0
Q202		4822 130 41306	2SC1815GR	HT318151C0
Q203		4822 130 43233	2SC2240GR	HT322401A0
Q301		4822 130 11101	2SA1015GR	HT110151C0
Q302		4822 130 41306	2SC1815GR	HT318151C0
Q303		4822 130 41306	2SC1815GR	HT318151C0
Q304		4822 130 43233	2SC2240GR	HT322401A0
Q306		4822 130 11101	2SA1015GR	HT110151C0
			RESISTORS	
			All resistor are rated $\pm 5\%$ tolerance and 1/8 watt.	
R102	nsp		56k Ω	nsp
R103	nsp		120k Ω	nsp
R104	nsp		4.7k Ω	nsp
R105	nsp		1M Ω	nsp
R106	nsp		56 Ω	nsp
R107	nsp		6.8k Ω	nsp
R108	nsp		2.2k Ω	nsp
R109	nsp		1k Ω	nsp
R110	nsp		56k Ω	nsp
R111	nsp		120k Ω	nsp
R112	nsp		4.7k Ω	nsp
R113	nsp		1M Ω	nsp
R114	nsp		56 Ω	nsp
R115	nsp		6.8k Ω	nsp
R116	nsp		2.2k Ω	nsp
R117	nsp		2.7k Ω	nsp
R118	nsp		6.2k Ω	nsp
R119	nsp		100k Ω	nsp
R123	nsp		2.7k Ω	nsp
R124	nsp		100k Ω	nsp
R125	nsp		33 Ω	nsp
R126	nsp		1k Ω	nsp
R127	nsp		33k Ω	nsp
R128	nsp		10k Ω	nsp
R129	nsp		5.6k Ω	nsp
R130	nsp		8.2k Ω	nsp
R131	nsp		2.2k Ω	nsp
R132	nsp		15k Ω	nsp
R133	nsp		2.2k Ω	nsp
R134	nsp		33k Ω	nsp
R135	nsp		150k Ω	nsp
R138	nsp		47k Ω	nsp
R139	nsp		12k Ω	nsp
R140	nsp		68 Ω	nsp
R141	nsp		3.9k Ω	nsp
R202	nsp		56k Ω	nsp
R203	nsp		120k Ω	nsp
R204	nsp		4.7k Ω	nsp
R205	nsp		1M Ω	nsp
R206	nsp		56 Ω	nsp
R207	nsp		6.8k Ω	nsp
R208	nsp		2.2k Ω	nsp
R209	nsp		1k Ω	nsp
R210	nsp		56k Ω	nsp
R211	nsp		120k Ω	nsp
R212	nsp		4.7k Ω	nsp
R213	nsp		1M Ω	nsp

(VERS.:VERSION, U:U.S.A., F:JAPAN, K:FAR EAST, N:EUROPE)

POS. NO	VERS. COLOR	PART NO. (FOR PCS)	DESCRIPTION	PART NO. (MJI)
R214		nsp	56 Ω	nsp
R215		nsp	6.8k Ω	nsp
R216		nsp	2.2k Ω	nsp
R217		nsp	2.7k Ω	nsp
R218		nsp	6.2k Ω	nsp
R219		nsp	100k Ω	nsp
R223		nsp	2.7k Ω	nsp
R224		nsp	100k Ω	nsp
R225		nsp	33 Ω	nsp
R226		nsp	1k Ω	nsp
R227		nsp	33k Ω	nsp
R228		nsp	10k Ω	nsp
R229		nsp	5.6k Ω	nsp
R230		nsp	8.2k Ω	nsp
R231		nsp	2.2k Ω	nsp
R232		nsp	15k Ω	nsp
R233		nsp	2.2k Ω	nsp
R234		nsp	33k Ω	nsp
R235		nsp	150k Ω	nsp
R238		nsp	47k Ω	nsp
R239		nsp	12k Ω	nsp
R240		nsp	68 Ω	nsp
R241		nsp	3.9k Ω	nsp
R301		nsp	4.7k Ω	nsp
R302		nsp	20k Ω	nsp
R303		nsp	4.7k Ω	nsp
R305				
		nsp	47k Ω	nsp
R310				
R311		nsp	2.2k Ω	nsp
R312		nsp	10k Ω	nsp
R313		nsp	24k Ω	nsp
R314		nsp	27k Ω	nsp
R315		nsp	43k Ω	nsp
R316		nsp	33k Ω	nsp
R317		nsp	33k Ω	nsp
R318		nsp	47k Ω	nsp
R319		nsp	47k Ω	nsp
R320		nsp	33k Ω	nsp
R321		nsp	20k Ω	nsp
R322		nsp	22k Ω	nsp
R324		nsp	39k Ω	nsp
R325		nsp	100k Ω	nsp
R326		nsp	27k Ω	nsp
R327		nsp	15k Ω	nsp
R328		nsp	16k Ω	nsp
R323		nsp	56k Ω	nsp
R329		nsp	56k Ω	nsp
R330		nsp	27k Ω	nsp
R331		nsp	220k Ω	nsp
R332		nsp	100k Ω	nsp
R333		nsp	68k Ω	nsp
R334		nsp	33k Ω	nsp
R335		nsp	47k Ω	nsp
R336		nsp	15k Ω	nsp
R337		nsp	39k Ω	nsp
R338		nsp	56k Ω	nsp
R339		nsp	27k Ω	nsp
R340		nsp	24k Ω	nsp
R341		nsp	43k Ω	nsp
R342		nsp	18k Ω	nsp
R343		nsp	56k Ω	nsp
R344		nsp	56k Ω	nsp
R345		nsp	18k Ω	nsp
R346		nsp	16k Ω	nsp
R347		nsp	47k Ω	nsp
R348		nsp	15k Ω	nsp
R349		nsp	56k Ω	nsp

(VERS.:VERSION, U:U.S.A., F:JAPAN, K:FAR EAST, N:EUROPE)

POS. NO	VERS. COLOR	PART NO. (FOR PCS)	DESCRIPTION	PART NO. (MJI)
R350		nsp	47k Ω	nsp
R351		nsp	22k Ω	nsp
R352		nsp	4.7k Ω	nsp
R353		nsp	18k Ω	nsp
R354		nsp	18k Ω	nsp
R355		nsp	10k Ω	nsp
R356		nsp	2.7k Ω	nsp
R357		nsp	1k Ω	nsp
R358		nsp	27k Ω	nsp
R359		nsp	27k Ω	nsp
R360		nsp	47k Ω	nsp
R361		nsp	47k Ω	nsp
R367		nsp	22k Ω	nsp
R368		nsp	22k Ω	nsp
R370		nsp	1k Ω	nsp
R371		nsp	330 Ω	nsp
R373		nsp	470 Ω	nsp
R374		nsp	470 Ω	nsp
R375		nsp	2.7k Ω	nsp
R376		nsp	3.3k Ω	nsp
R378		nsp	68 Ω	nsp
R381		nsp	47k Ω	nsp
R382		nsp	47k Ω	nsp
R383		nsp	560 Ω	nsp
R384		nsp	4.7k Ω	nsp
R385		nsp	6.8 Ω 1/4W	nsp
R386		nsp	6.8 Ω 1/4W	nsp
R387		nsp	100k Ω	nsp
R388		nsp	100k Ω	nsp
R391		nsp	270 Ω	nsp
R11		9965 000 01140	VSemi-fixed 10k Ω(B)	*RA000780R
R21		9965 000 01140	VSemi-fixed 10k Ω(B)	*RA000780R
R12		9965 000 01140	VSemi-fixed 10k Ω(B)	*RA000780R
R22		9965 000 01140	VSemi-fixed 10k Ω(B)	*RA000780R
R13		9965 000 01141	VSemi-fixed 22k Ω(B)	*RA000920R
R23		9965 000 01141	VSemi-fixed 22k Ω(B)	*RA000920R
R14		9965 000 01140	VSemi-fixed 10k Ω(B)	*RA000780R
R24		9965 000 01140	VSemi-fixed 10k Ω(B)	*RA000780R
L102		9965 000 01143	22mH	*LC107240R
L202		9965 000 01143	22mH	*LC107240R
L103		9965 000 01144	STEP UP	*TC000310R
L203		9965 000 01144	STEP UP	*TC000310R
L301		9965 000 01145	Bias SM-10F	*TC000330R
L302		9965 000 01146	220μH	*LC106610R
L303		9965 000 01146	220μH	*LC106610R
L101		9965 000 01142	Filter Low Pass MPX	*TC000300R
L201		9965 000 01142	Filter Low Pass MPX	*TC000300R
J32		9965 000 01147	Jack RCA 4P	*YT001790R
P304		nsp	Plug 5P	nsp
P305		nsp	Plug 3P	nsp
P306		nsp	Plug 3P	nsp
P307		nsp	Plug 12P	nsp
P308		nsp	Plug 9P	nsp
P309		nsp	Plug 6P	nsp
▲ U7		4822 209 31631	IC NJM7805FA	HC3890509F
▲ Q307		9965 000 01148	2SB1655E	*HT200360R

(VERS.:VERSION, U:U.S.A., F:JAPAN, K:FAR EAST, N:EUROPE)

POS. NO	VERS. COLOR	PART NO. (FOR PCS)	DESCRIPTION	PART NO. (MJI)
SW21		9965 000 01149	Switch Slide AXA 2-3	*SS000600R
SW26		9965 000 01149	Switch Slide AXA 2-3	*SS000600R
SW27		9965 000 01149	Switch Slide AXA 2-3	*SS000600R
C11		nsp	ELECT 47μF 16V	nsp
D9		4822 130 32778	1SS133	HD20015210
D12		4822 130 32778	1SS133	HD20015210
D13A		4822 130 32778	1SS133	HD20015210
D15		4822 130 32778	1SS133	HD20015210
D19		4822 130 32778	1SS133	HD20015210
D20A		4822 130 32778	1SS133	HD20015210
D22		4822 130 32778	1SS133	HD20015210
D23		4822 130 32778	1SS133	HD20015210
D25		4822 130 32778	1SS133	HD20015210
D26		4822 130 32778	1SS133	HD20015210
D27A		4822 130 32778	1SS133	HD20015210
D29		4822 130 32778	1SS133	HD20015210
D33		4822 130 32778	1SS133	HD20015210
D34		4822 130 32778	1SS133	HD20015210
D35		4822 130 32778	1SS133	HD20015210
D41		4822 130 32778	1SS133	HD20015210
U56		9965 000 01150	IR Sensor SBX1976-52	*HW100340R
R80		nsp	22k Ω ±5% 1/8W	nsp
R83		nsp	470 Ω ±5% 1/8W	nsp
R95		nsp	470 Ω ±5% 1/8W	nsp
FL1		9965 000 01151	Display SVA-06SM14	*HQ300370R
SW1		9965 000 01153	Switch Tact SKQSAB HMR-187	*SP000750R
SW4		9965 000 01153	Switch Tact SKQSAB HMR-187	*SP000750R
SW7		9965 000 01153	Switch Tact SKQSAB HMR-187	*SP000750R
SW11		9965 000 01153	Switch Tact SKQSAB HMR-187	*SP000750R
SW14		9965 000 01153	Switch Tact SKQSAB HMR-187	*SP000750R
SW18		9965 000 01153	Switch Tact SKQSAB HMR-187	*SP000750R
SW22		9965 000 01153	Switch Tact SKQSAB HMR-187	*SP000750R
SW25		9965 000 01153	Switch Tact SKQSAB HMR-187	*SP000750R
C1		nsp	ELECT 100μF 35V	nsp
C2		nsp	ELECT 220μF 35V	nsp
C3		nsp	ELECT 330μF 25V	nsp
C4		nsp	Mylar 0. 047μF 100V	nsp
C5		nsp	ELECT 10μF 16V	nsp
C6		nsp	ELECT 10μF 16V	nsp
C7		9965 000 01154	ELECT 220μF 25V	*EA000660R
C8		nsp	CER. 0.01μF 50V	nsp
C9		nsp	Mylar 0.022μF 100V	nsp
C10		nsp	ELECT 1000μF 25V	nsp

(VERS.:VERSION, U:U.S.A., F:JAPAN, K:FAR EAST, N:EUROPE)

POS. NO	VERS. COLOR	PART NO. (FOR PCS)	DESCRIPTION	PART NO. (MJI)
DIODES				
D1		4822 130 80598	Zener Diode MTZJ22C	*HD301680R
D2		4822 130 31878	1N4003	HD200010AR
D3		4822 130 31878	1N4003	HD200010AR
D4		4822 130 32778	1SS133	HD20015210
D5		4822 130 31878	1N4003	HD200010AR
D8		9965 000 01155	Zener Diode MTZJ3.9B	*HD301410R
D50		4822 130 31878	1N4003	HD200010AR
D51		4822 130 31878	1N4003	HD200010AR
INTEGRATED CIRCUITS				
U41		5322 209 73891	TA78L005AP	*HC300180R
U42		9965 000 01156	CXP82940	*HC105100R
U45		4822 209 61973	BU4066BC	HC406621B0
TRANSISTORS				
U43		4822 130 42683	DTC124ES	BA20024210
U44		4822 130 42683	DTC124ES	BA20024210
U47		4822 130 42683	DTC124ES	BA20024210
U50				
U51		4822 130 42593	DTA124ES	BA10016210
U52		4822 130 42683	DTC124ES	BA20024210
U55				
▲ Q1		4822 130 11101	T2SA1015GR	HT110151C0
Q2		4822 130 41306	T2SC1815GR	HT318151C0
Q3		9965 000 01157	T2SB1237TV2Q	*HT200310R
Q6				
Q7		4822 130 41306	T2SC1815GR	HT318151C0
RESISTORS				
All resistor are rated ±5% tolerance and 1/8 watt.				
R41		nsp	820 Ω	nsp
R42		nsp	22k Ω	nsp
R43		nsp	10k Ω	nsp
R44		nsp	22k Ω	nsp
R45		nsp	22k Ω	nsp
R46		nsp	1k Ω	nsp
R47		nsp	22k Ω	nsp
R48		nsp	15k Ω	nsp
R49		nsp	27k Ω	nsp
R50		nsp	4.7k Ω	nsp
R51		nsp	1k Ω	nsp
R52		nsp	4.7k Ω	nsp
R53		nsp	1k Ω	nsp
R54		nsp	4.7k Ω	nsp
R55		nsp	1k Ω	nsp
R56		nsp	4.7k Ω	nsp
R57		nsp	1k Ω	nsp
R62		nsp	1k Ω	nsp
R63		nsp	10k Ω	nsp
R64		nsp	22k Ω	nsp
R72		nsp	22k Ω	nsp
R73		nsp	22k Ω	nsp
R74		nsp	22k Ω	nsp
R77		nsp	82k Ω	nsp
R78		nsp	82k Ω	nsp
R84		nsp	22k Ω	nsp
R85		nsp	22k Ω	nsp
R86		nsp	22k Ω	nsp
R87		nsp	100 Ω 1/4W	nsp
R88		nsp	100 Ω 1/4W	nsp
R89		nsp	5.6k Ω	nsp
R90		nsp	1k Ω	nsp
R91		nsp	10k Ω	nsp
R92		nsp	22k Ω	nsp

(VERS.:VERSION, U:U.S.A., F:JAPAN, K:FAR EAST, N:EUROPE)

POS. NO	VERS. COLOR	PART NO. (FOR PCS)	DESCRIPTION	PART NO. (MJI)
R93		nsp	22k Ω	nsp
R94		nsp	22k Ω	nsp
VR1		9965 000 01140	VSemi-fixed 10k Ω(B)	*RA000780R
VR2		9965 000 01140	VSemi-fixed 10k Ω(B)	*RA000780R
VR3		9965 000 01140	VSemi-fixed 10k Ω(B)	*RA000780R
VR4		9965 000 01140	VSemi-fixed 10k Ω(B)	*RA000780R
MISCELLANEOUS				
P318		nsp	Plug 2P	nsp
P503		nsp	Plug 3P	nsp
P504		nsp	Plug 2P	nsp
X1		9965 000 01158	Resonator Ceramic 8MHz	*FQ000400R
VR CIRCUIT BOARD				
RESISTORS				
R410		nsp	9.1k Ω ±5% 1/8W	nsp
R411		nsp	27k Ω ±5% 1/8W	nsp
R31		9965 000 01159	Variable Resistor 50k Ω(A)*2	*RM000380R
R32		9965 000 01160	Variable Resistor 10k Ω(B)	*RM000390R
PHONE CIRCUIT BOARD				
C403		nsp	CER. CAP 0.047μF 50V	nsp
J31		9965 000 01161	Jack JY-6317-01-030G	*YT001780R
TRANS A CIRCUIT BOARD				
AC2	N	nsp	Terminal Lapping 2P	nsp
W170	F	nsp	Jumper 10mm	nsp
W171	U	nsp	Jumper 10mm	nsp
W172	N	nsp	Jumper 10mm	nsp
TRANS B CIRCUIT BOARD				
C901		nsp	CER. CAP 0.1μF 50V	nsp
▲ S401		9965 000 01162	Switch Push SPUN-12	*SP000740R
L901		9965 000 01163	COIL 3.3μH	*LC107250R
L902		9965 000 01163	COIL 3.3μH	*LC107250R
REMOTE CIRCUIT BOARD				
C450		nsp	CER. CAP 0.1μF 50V	nsp
R450		nsp	RES. 47Ω ±5% 1/8W	nsp
J33		9965 000 01164	Jack RCA 2P (ORANGE)	*YT001800R
▲ 47		9965 000 01128	MAINS TRANSFORMER	*TS001060R