



Controller Enclosure Guide 2-3

Heavy-Duty Enclosures 4-11

Light-Duty Cabinets. 12-13

Backflow Cover Size Chart 14-15

Backflow Enclosures 16-23

Commercial Service Pedestals 24-32

Battery Backup Traffic Enclosures 33

QuickPad® Enclosure Mounting Pad. 34

Enclosure Options 35

Tree & Sprinkler Support & Protection 38-39

Specifications. 40-67

Technical Information & Trade Warranties 68-70



STRONG BOX CONTROLLER ENCLOSURE GUIDE

	Stations	Width (in.)	Height (in.)	Depth (in.)	Residential/Commercial
RainBlrd Controllers					
EC Controller	4-9 stations	6.50	5.50	1.75	R
ESP-TM	4-8 stations	7.00	8.25	2.25	R
ESP-Modular	4-13 stations	11.00	8.00	4.50	R
ESP-LX Plus / LXi Plus	6-24 stations	9.50	10.25	4.50	R/C
ESP-LX Modular	8-32 stations	14.50	12.75	5.50	R/C
ESP-MC	8-40 stations	11.50	11.50	6.50	C
IQ LXM-DTC	8-32 stations	14.50	12.75	5.50	C
MDC (2 wire systems)	1-200 decoders	11.00	12.00	5.50	C
TWI (2 wire Interface)	28 satellites	15.50	12.50	6.00	C
LDI / SDI (Lg/Sm Decoder Interface)	1-200 decoders	9.50	10.25	4.50	C
CCU-6 (Cluster Control)	6 satellites	11.50	11.50	6.50	C
CCU-28 (Cluster Control)	28 satellites	11.50	11.50	6.50	C
ESP-SAT	12-40 stations	11.50	11.50	6.50	C
ESP-SITE SAT	12-40 stations	11.50	11.50	6.50	C
RainMaster					
RME Sentar II SE	6-36 stations	13.25	10.25	4.75	C
SE-B / SE-SB	6-36 stations	13.25	18.00	4.50	C
RME Eagle EG	6-36 stations	13.25	10.25	4.75	C
EG-B / EG-SB	6-36 stations	13.25	18.00	4.50	C
RME Eagle-I central	6-36 stations	13.25	10.25	4.75	C
Egi-B / Egi-SB	6-36 stations	13.25	18.00	4.50	C
RME - DX2 Evolution	6-48 stations	13.25	10.25	4.75	C
Toro					
DDC-WP	2-8 stations	5.75	5.00	2.00	R
DDC	4-8 stations	3.50	8.50	7.00	R
TMC-212 outdoor	2-12 stations	13.00	9.50	3.50	R/C
TMC-424	4-24 stations	15.25	10.25	5.25	C
TIS-612	6-12 stations	9.75	7.50	5.75	C
TIS-240	24 stations	11.75	8.50	5.75	C
Custom Command					
Plastic 12-24 Station	12-24 stations	11.50	6.00	8.50	C
Metal 12-24 Station	12-24 stations	10.75	9.75	5.75	C
Metal 36-48 Station	36-48 stations	10.75	15.75	5.75	C
TDC-100/200	100, 200 decoders	14.00	13.00	6.00	C
Sentinel WallMount	12-48 stations	10.75	15.75	5.75	C
Irritrol					
RainDial Series	6-12 stations	7.75	10.75	4.00	R
Smart Dial	6-24 stations	7.75	10.75	4.00	R
Total Control Series	6-24 stations	8.50	10.50	5.00	R
KwikDial Series	4-12 stations	9.00	7.00	4.00	R
JR Max Series	4-8 stations	8.00	6.75	4.00	R
MC-E Series	4-48 stations	9.75	10.50	4.25	C
IBOC Plus	4-12 stations	9.25	10.75	5.25	C
Hunter					
I-Core-600-PL	6 stations mod.	13.50	11.00	6.50	C
I-Core-600-M	6 stations mod.	15.50	12.50	6.50	C
PRO-C Series	3-15 stations	9.00	10.00	4.50	C
ICC-Series	8-32 stations	11.00	13.25	4.75	C
ICC-M Series	8-48 stations	12.25	16.00	4.75	C
ACC Series	12-48 stations	12.50	15.50	6.50	C
ACC 990	99 stations	12.50	15.50	6.50	C
ET Module		6.00	4.00	2.00	C
AquaConserve					
ET- 8	8-12 stations	9.00	8.75	3.25	R
ET-16 Series	16-32 stations	9.75	10.75	4.25	R
ULTIMO Series	16-66 stations	12.00	14.25	4.75	R/C
Signature					
Constellation	8-24 stations	14.00	12.75	4.25	C
	28-48 stations	14.00	18.00	4.25	C
Galaxy	8-48 stations	14.00	12.75	4.25	C
	28-48 stations	14.00	18.00	4.25	C
HydroPoint					
ET Plus	9-24 stations	6.00	7.00	1.00	R
WeatherTRAK ET Pro 2	12-24 stations	9.75	10.50	4.25	R/C
WeatherTRAK ET Pro 2	28-48 stations	9.75	10.50	4.25	R/C
Calsense					
ET2000	8-40 stations	11.15	11.40	7.25	C
ET2000e	8-48 stations	11.15	11.40	7.25	C

	SB-16SS Front Entry Pedestal 18" x 36" x 12"	SB-24SS Front Entry Pedestal 24" x 36" x 12"	SB-36SS Front Entry Pedestal 36" x 36" x 12"	SB-18DSS Front Entry Pedestal 18" x 36" x 24"	SB-24DSS Front Entry Pedestal 24" x 36" x 24"	SB-16SSW Front Entry Wall Mount 16" x 18" x 12"	SB-16SS Top Entry Pedestal 16" x 38" x 15.5"	SB-22SS Top Entry Pedestal 24" x 38" x 17"	LD-16S Light Duty Front Entry Pedestal 16" x 30" x 8"	LD-16SW Light Duty Front Entry Wall Mount 16" x 30" x 8"	LD-18SW Light Duty Front Entry Wall Mount 18" x 18" x 8"
RainBird Controllers											
EC Controller	x								x	x	x
ESP-TM	x					x			x	x	x
ESP-Modular	x					x			x	x	x
ESP-LX Plus / LXI Plus	x	x	xx	xx	xx	x	x		x	x	x
ESP-LX Modular	x	x	xx	xx	xx		x	x			
ESP-MC	x	x	xx	xx	xx	x	x	xx	x	x	x
IQ LXM-DTC	x	x	xx	xx	xx		x	x	x	x	x
MDC (2 wire systems)	x	x	xx	xx	xx	x	x	x	x	x	x
TWI (2 wire Interface)	x	x	xx	xx	xx		x				
LDI / SDI (Lg/Sm Decoder Interface)	x	x	xx	xx	xx	x			x	x	x
CCU-6 (Cluster Control)	x	x	xx	xx	xx	x	x		x	x	x
CCU-28 (Cluster Control)	x	x	xx	xx	xx	x	x		x	x	x
ESP-SAT	x	x	xx	xx	xx	x	x	x	x	x	x
ESP-SITE SAT	x	x	xx	xx	xx	x	x	x	x	x	x
RainMaster											
RME Sentar II SE	x	x	xx	xx	xx	x	x	x	x	x	x
SE-B / SE-SB	x	x	xx	xx	xx		x	x			
RME Eagle EG	x	x	xx	xx	xx	x	x	x	x	x	x
EG-B / EG-SB	x	x	xx	xx	xx						
RME Eagle-I central	x	x	xx	xx	xx	x	x	x	x	x	x
Egi-B / Egi-SB	x	x	xx	xx	xx		x	x			
RME - DX2 Evolution	x	x	xx	xx	xx	x	x	x	x	x	x
Toro											
DDC-WP	x					x			x	x	x
DDC	x					x			x	x	x
TMC-212 outdoor	x	x	xx	xx	xx	x	x	x	x	x	x
TMC-424	x	x	xx	xx	xx		x	x			
TIS-612	x	x	xx	xx	xx	x	x	x	x	x	x
TIS-240	x	x	xx	xx	xx	x	x	x	x	x	x
Custom Command											
Plastic 12-24 Station	x	x	xx	xx	xx	x	x	x	x	x	x
Metal 12-24 Station	x	x	xx	xx	xx	x	x	x	x	x	x
Metal 36-48 Station	x	x	xx	xx	xx						
TDC-100/200	x	x	xx	xx	xx		x	x	x	x	x
Sentinel WallMount	x	x	xx	xx	xx		x				
Irritrol											
RainDial Series	x					x			x	x	x
Smart Dial	x					x			x	x	x
Total Control Series	x					x			x	x	x
KwikDial Series	x					x			x	x	x
JR Max Series	x					x			x	x	x
MC-E Series	x	x	xx	xx	xx	x	x	x	x	x	x
IBOC Plus	x	x	xx	xx	xx	x	x	x	x	x	x
Hunter											
SRC-Series	x					x			x	x	x
XC-Series	x					x			x	x	x
PRO-C Series	x	x	xx	xx	xx	x	x	x	x	x	x
ICC-Series	x	x	xx	xx	xx	x	x	x	x	x	x
ICC-M Series	x	x	xx	xx	xx		x	x			
ACC Series	x	x	xx	xx	xx		x	x			
ACC 990	x	x	xx	xx	xx		x	x			
ET Module	x					x			x	x	x
AquaConserve											
ET- 8						x			x	x	x
ET-16 Series						x			x	x	x
ULTIMO Series	x	x	xx	xx	xx	x	x	x			
Signature											
Constellation	x	x	xx	xx	xx		x	x			
Galaxy	x	x	xx	xx	xx		x	x			
	x	x	xx	xx	xx						
HydroPoint											
ET Plus	x	x	xx	xx	xx	x	x	x	x	x	x
WeatherTRAK ET Pro 2	x	x	xx	xx	xx	x	x	x	x	x	x
WeatherTRAK ET Pro 2	x	x	xx	xx	xx	x	x	x	x	x	x
Calsense											
ET2000	x	x	xx	xx	xx	x	x	x	x	x	x
ET2000e	x	x	xx	xx	xx	x	x	x	x	x	x

x Room for one controller
xx Room for two controllers

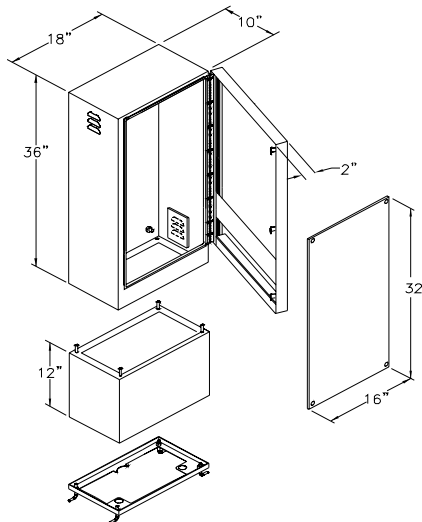
THE ULTIMATE FRONT ENTRY ENCLOSURE WEATHER RESISTANT—VANDAL RESISTANT

- 100% stainless steel construction assures long-term, rustproof durability and additional strength
- Three point locking mechanism, flush mounted access handle and heavy duty continuous hinge ensures maximum security
- Removable, predrilled backboard provides for easy installation and an attractive finished product
- Chameleon effect of the natural brushed stainless steel finish provides an unobtrusive quality
- Large door mounted storage area and literature storage pocket provides easy access to plans and scheduling information
- Filtered side louvers at bottom and top allow passive cross flow ventilation
- Mounting template, stainless steel anchors and instructions
- Ten year limited warranty
- NEMA TYPE 3R rated UL Listed
- All stainless steel enclosures may be powder coated in many colors at an additional charge

SB-18SS 18" Wide Enclosure

- 18" Wide, 36" High, 12" Deep
- NEMA TYPE 3R Weatherproof
- Three point locking door
- Padlock security provisions
- Mounting template and J bolt anchors

SPECIFICATION ON PAGE 41



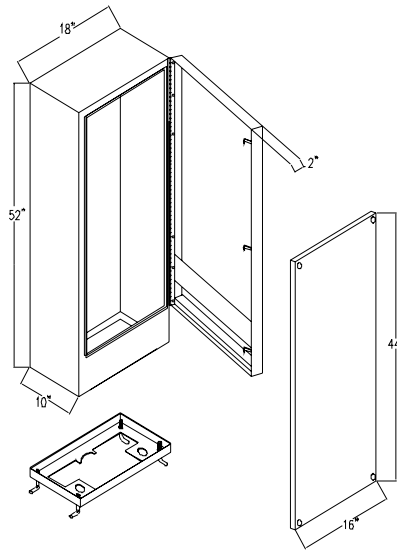
PED-18SS 12" Riser Pedestal

- 18" Wide, 12" High, 10" Deep
- Stainless steel
- Hardware installed

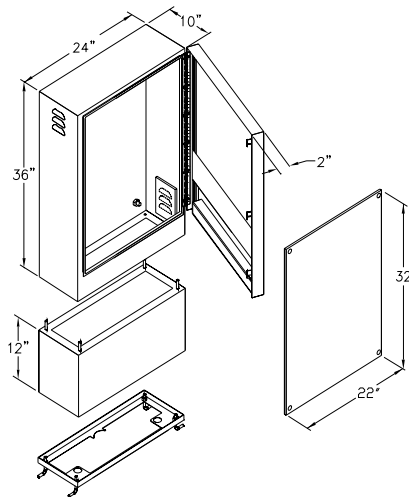


**SB-1852SS
Service Pedestal
Companion Enclosure**

- 18" Wide, 52" High, 12" Deep
- NEMA TYPE 3R Weatherproof
- Three point locking door
- Padlock security provisions
- Mounting template and J bolt anchors

SPECIFICATION ON PAGE 41**SB-24SS
24" Wide Enclosure**

- 24" Wide, 36" High, 12" Deep
- NEMA TYPE 3R Weatherproof
- Three point locking door
- Padlock security provisions
- Mounting template and J bolt anchors

SPECIFICATION ON PAGE 41**PED-24SS
12\" data-bbox="111 706 304 740"/>**

- 24" Wide, 12" High, 10" Deep
- Stainless steel
- Hardware installed

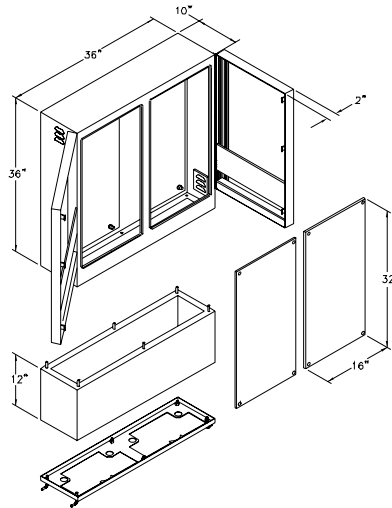


**THE ULTIMATE FRONT ENTRY ENCLOSURE
WEATHER RESISTANT—VANDAL RESISTANT**

- 100% stainless steel construction assures long-term, rustproof durability and additional strength
- Three point locking mechanism, flush mounted access handle and heavy duty continuous hinge ensures maximum security
- Removable, predrilled backboard provides for easy installation and an attractive finished product
- Chameleon effect of the natural brushed stainless steel finish provides an unobtrusive quality
- Large door mounted storage area and literature storage pocket provides easy access to plans and scheduling information
- Filtered side louvers at bottom and top allow passive cross flow ventilation
- Mounting template, stainless steel anchors and instructions
- Ten year limited warranty
- NEMA TYPE 3R rated UL Listed
- All stainless steel enclosures may be powder coated in many colors at an additional charge

**SB-36SS
36" Wide Enclosure**

- 36" Wide, 36" High, 12" Deep
- NEMA TYPE 3R Weatherproof
- Three point locking door
- Padlock security provisions
- Mounting template and J bolt anchors

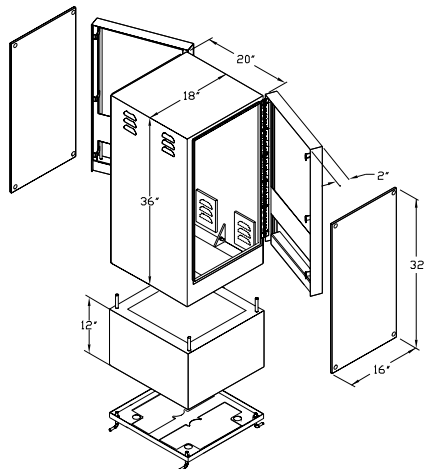
SPECIFICATION ON PAGE 41**PED-36SS
12" Riser Pedestal**

- 36" Wide, 12" High, 10" Deep
- Stainless steel
- Hardware installed



**SB-18DSS
Service Pedestal**

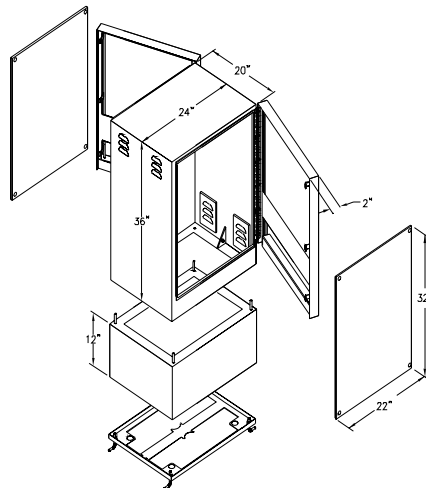
- 18" Wide, 36" High, 24" Deep
- NEMA TYPE 3R Weatherproof
- Three point locking door
- Padlock security provisions
- Mounting template and J bolt anchors

SPECIFICATION ON PAGE 41**PED-18DSS
12" Riser Pedestal**

- 18" Wide, 12" High, 20" Deep
- Stainless steel
- Hardware installed

**SB-24DSS
24" Wide Double Door
Enclosure**

- 24" Wide, 36" High, 24" Deep
- NEMA TYPE 3R Weatherproof
- Three point locking door
- Padlock security provisions
- Mounting template and J bolt anchors

SPECIFICATION ON PAGE 41**PED-24DSS
12" Riser Pedestal**

- 24" Wide, 12" High, 20" Deep
- Stainless steel
- Hardware installed



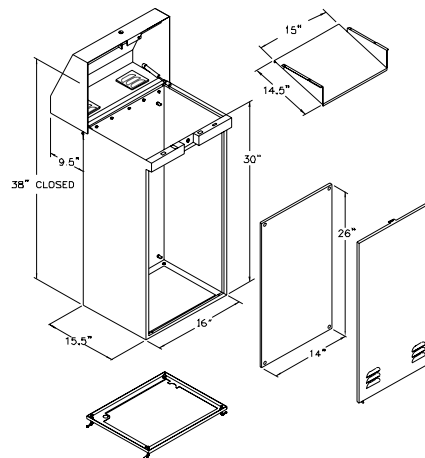
THE ULTIMATE TOP ENTRY ENCLOSURE WEATHER RESISTANT—VANDAL RESISTANT

- 100% stainless steel construction assures long-term, rustproof durability and additional strength
- Three point locking mechanism, flush mounted access handle and heavy duty continuous hinge ensures maximum security
- Removable, predrilled backboard and trays provide for easy installation of controllers
- Chameleon effect of the natural brushed stainless steel finish provides an unobtrusive quality
- 38" height with flip top access provides ease of viewing and programming
- Filtered side louvers at bottom and top allow passive cross flow ventilation
- Mounting template, stainless steel anchors and instructions
- Ten year limited warranty
- NEMA TYPE 3R rated UL Listed
- All stainless steel enclosures may be powder coated in many colors at an additional charge

SB-16SS 16" Wide Enclosure

- 16" Wide, 38" High, 15.5" Deep
- NEMA TYPE 3R Weatherproof
- Three point locking door
- Padlock security provisions
- Mounting template and J bolt anchors
- Standard tray and backboards included

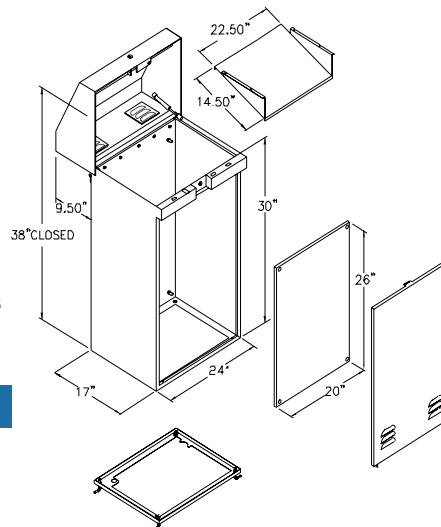
SPECIFICATION ON PAGE 42



SB-22SS 24" Wide Enclosure

- 24" Wide, 38" High, 17" Deep
- NEMA TYPE 3R Weatherproof
- Three point locking door
- Padlock security provisions
- Mounting template and J bolt anchors
- Standard tray and backboards included

SPECIFICATION ON PAGE 42



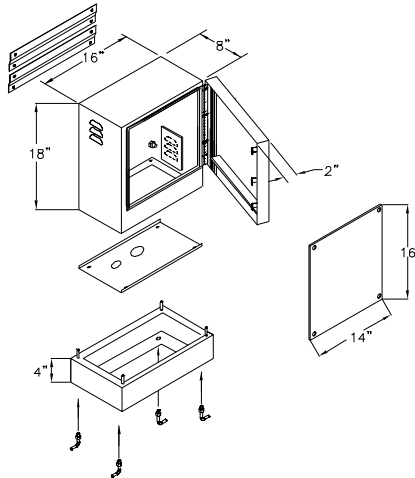
THE ULTIMATE WALL MOUNT ENCLOSURE WEATHER RESISTANT – VANDAL RESISTANT

- 100% stainless steel construction assures long-term, rust-proof durability and additional strength
- Wall mount brackets provide strength and security, while bottom plate includes conduit holes
- Three point locking mechanism, flush mounted access handle and heavy duty continuous hinge ensures maximum security
- Removable, predrilled backboard and trays provide for easy installation of controllers
- Chameleon effect of the natural brushed stainless steel finish provides an unobtrusive quality
- Filtered side louvers at bottom and top allow passive cross flow ventilation
- Mounting template, stainless steel anchors and instructions
- Ten year limited warranty
- NEMA TYPE 3R rated UL Listed
- All stainless steel enclosures may be powder coated in many colors at an additional charge

SB-16SSW 16" Wide Enclosure

- 16" Wide, 18" High, 10" Deep
- Two point locking door
- Padlock security provisions

SPECIFICATION ON PAGE 43



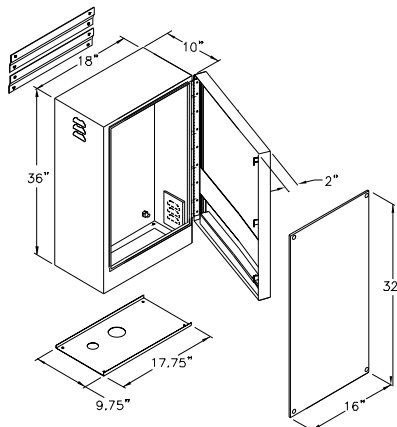
PED-16SSW 4" Riser Pedestal

- 16" Wide, 4" High, 8" Deep

SB-18SSW 18" Wide Enclosure

- 18" Wide, 36" High, 12" Deep
- NEMA TYPE 3R Weatherproof
- Three point locking door
- Padlock security provisions
- Wall mount brackets and bottom plate

SPECIFICATION ON PAGE 43



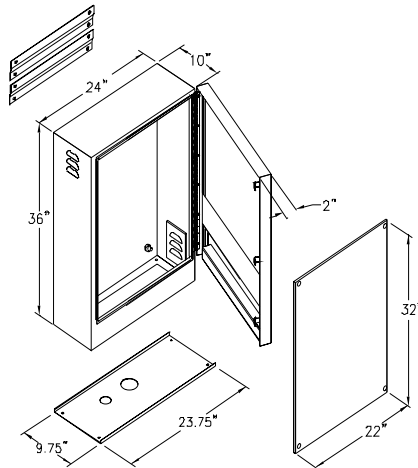
THE ULTIMATE WALL MOUNT ENCLOSURE WEATHER RESISTANT – VANDAL RESISTANT

- 100% stainless steel construction assures long-term, rust-proof durability and additional strength
- Wall mount brackets provide strength and security, while bottom plate includes conduit holes
- Three Point locking mechanism, flush mounted access handle and heavy duty continuous hinge ensures maximum security
- Removable, predrilled backboard and trays provide for easy installation of controllers
- Chameleon effect of the natural brushed stainless steel finish provides an unobtrusive quality
- Filtered side louvers at bottom and top allow passive cross flow ventilation
- Mounting template, stainless steel anchors and instructions
- Ten year limited warranty
- NEMA TYPE 3R rated UL Listed
- All stainless steel enclosures may be powder coated in many colors at an additional charge

SB-24SSW 24" Wide Enclosure

- 24" Wide, 36" High, 12" Deep
- NEMA TYPE 3R Weatherproof
- Conduit openings in bottom plate
- Padlock security provisions
- Wall mount brackets

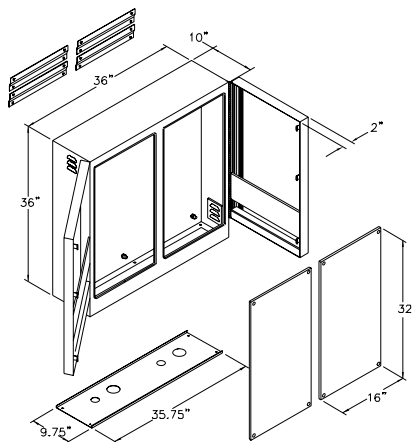
SPECIFICATION ON PAGE 43



SB-36SSW 36" Wide Enclosure

- 36" Wide, 36" High, 12" Deep
- NEMA TYPE 3R Weatherproof
- Conduit openings in bottom plate
- Padlock security provisions
- Wall mount brackets

SPECIFICATION ON PAGE 43



NEMA 3SX & 4X ENCLOSURES AVAILABLE FOR OEM DESIGN WEATHER RESISTANT – VANDAL RESISTANT

The StrongBox NEMA TYPE 3SX Series was designed to operate even in the coldest climates with ice formation around cabinet. Our 3SX Series is available as wall mount or pedestal mount. When covering electronics or controllers and protecting them from the harsh elements like snow and ice buildup, then we have the enclosure for you.

- Water tight, dust proof, operable when ice laden
- 14 gauge 304 stainless steel
- Three point locking pad lockable handle
- Removable backboard
- NEMA rated, UL listed
- Ten year limited warranty
- Contact us for more information

NEMA Enclosure Types

Type 3R:

Enclosures constructed for either indoor or outdoor use to provide a degree of protection to personnel against access to hazardous parts; to provide a degree of protection of the equipment inside the enclosure against ingress of solid foreign objects (falling dirt); to provide a degree of protection with respect to harmful effects on the equipment due to the ingress of water (rain, sleet, snow); and that will be undamaged by the external formation of ice on the enclosure.

Type 3SX:

Enclosures constructed for either indoor or outdoor use to provide a degree of protection to personnel against access to hazardous parts; to provide a degree of protection of the equipment inside the enclosure against ingress of solid foreign objects (falling dirt and windblown dust); to provide a degree of protection with respect to harmful effects on the equipment due to the ingress of water (rain, sleet, snow); that provides an additional level of protection against corrosion; and for which the external mechanism(s) remain operable when ice laden.

Type 4X:

Enclosures constructed for either indoor or outdoor use to provide a degree of protection to personnel against access to hazardous parts; to provide a degree of protection of the equipment inside the enclosure against ingress of solid foreign objects (windblown dust); to provide a degree of protection with respect to harmful effects on the equipment due to the ingress of water (rain, sleet, snow, splashing water, and hose directed water); that provides an additional level of protection against corrosion; and that will be undamaged by the external formation of ice on the enclosure.

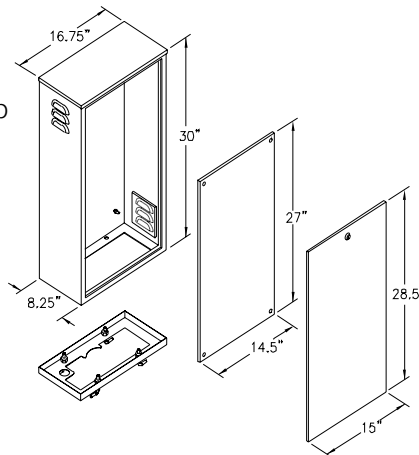


THE WEATHER RESISTANT CABINET

- 100% stainless steel construction assures long-term, rustproof durability and additional strength
- Flush mounted removable door with keyed camlock,
- Chameleon effect of the natural brushed stainless steel finish provides an unobtrusive quality
- Filtered side louvers at bottom and top allow passive cross flow ventilation
- Mounting template, stainless steel anchors and instructions
- Ten year limited warranty
- NEMA TYPE 3R rated UL Listed
- All stainless steel enclosures may be powder coated in various colors at an additional charge

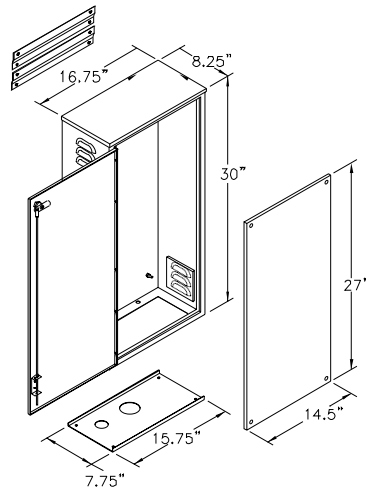
**LD-16S
17" Wide Enclosure**

- 16.75" Wide, 30" High, 8.25" Deep
- NEMA TYPE 3R Weatherproof
- Drop in keyed locking door
- Mounting template and J bolt anchors

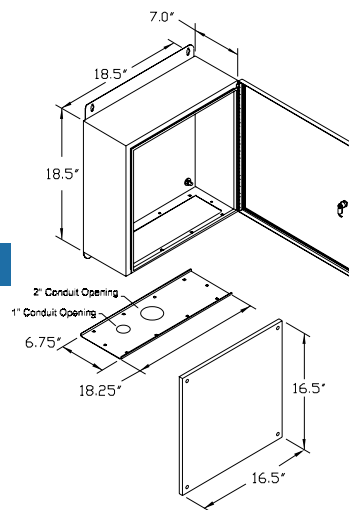
SPECIFICATION ON PAGE 44

**LD-16SW
16" Wide Light Duty
Enclosure**

- 16.75" Wide, 30" High, 8" Deep
- NEMA TYPE 3R Weatherproof
- Hinged keyed lock door

SPECIFICATION ON PAGE 45**LD-18SW
18" Wide Wall Mount
Cabinet**

- 18" Wide, 18" High, 8" Deep
- NEMA TYPE 3R Weatherproof
- Hinged keyed lock door

SPECIFICATION ON PAGE 46

Apollo

4A-200 Series		Length	Installed	nip	nip total	elbow total	Total inches	Alum	Smooth	Expanded
3/4"	12.75	20.00	3.00	5.00	4.00	21.75	SBBC-30AL	SBBC-30SS & CR	BC-30CR	
1"	14.75	20.00	3.00	5.00	5.00	24.75	SBBC-30AL	SBBC-30SS & CR	BC-30CR	
1 1/4"	18.75	22.00	3.00	5.00	5.50	29.25	SBBC-45AL	SBBC-45SS & CR	BC-45CR	
1 1/2"	18.75	22.00	3.00	5.00	6.00	29.75	SBBC-45AL	SBBC-45SS & CR	BC-45CR	
2"	20.25	23.00	3.00	5.00	7.50	32.75	SBBC-45AL	SBBC-45SS & CR	BC-45CR	

FEBCO

825Y & LF860		Length	Installed	nip	nip total	elbow total	Total inches	Alum	Smooth	Expanded
3/4"	12.00	19.00	3.00	5.00	4.00	21.00	SBBC-30AL	SBBC-30SS & CR	BC-30CR	
1"	12.75	20.00	3.00	5.00	5.00	22.75	SBBC-30AL	SBBC-30SS & CR	BC-30CR	
1 1/4"	16.00	22.00	3.00	5.00	5.50	26.50	SBBC-30AL	SBBC-30SS & CR	BC-30CR	
1 1/2"	17.00	22.00	3.00	5.00	6.00	28.00	SBBC-45AL	SBBC-45SS & CR	BC-45CR	
2"	17.75	22.00	3.00	5.00	7.50	30.25	SBBC-45AL	SBBC-45SS & CR	BC-45CR	

LF860

LF860		Length	Installed	nip	nip total	elbow total	Total inches	Alum	Smooth	Expanded
2 1/2"	40.75	38.50	n/a	n/a	17.00	57.75	SBBC-75ALHP	SBBC-75SS & CR	BC-75CR	
3"	42.00	44.25	n/a	n/a	18.50	60.50	N/A	N/A	N/A	
4"	46.25	46.50	n/a	n/a	22.00	68.25	N/A	N/A	N/A	
6"	56.00	53.25	n/a	n/a	27.00	83.00	N/A	N/A	N/A	

825YA

825YA		Length	Installed	nip	nip total	elbow total	Total inches	Alum	Smooth	Expanded
3/4"	10.00	17.00	n/a	n/a	n/a	10.00	SBBC-22AL	SBBC-22SS & CR	BC-30CR	
1"	10.25	18.00	n/a	n/a	n/a	10.25	SBBC-22AL	SBBC-22SS & CR	BC-30CR	
1 1/2"	14.25	19.00	n/a	n/a	n/a	14.25	SBBC-22AL	SBBC-22SS & CR	BC-30CR	
2"	15.00	20.00	n/a	n/a	n/a	15.00	SBBC-22AL	SBBC-22SS & CR	BC-30CR	

LF880V

LF880V		Length	Installed	nip	nip total	elbow total	Total inches	Alum	Smooth	Expanded
2 1/2"	25.50	32.00	n/a	n/a	n/a	25.50	SBBC-40ALHP	SBBC-40SS & CR	BC-75CR	
3"	25.75	32.00	n/a	n/a	n/a	25.75	SBBC-40ALHP	SBBC-40SS & CR	BC-75CR	
4"	28.00	36.00	n/a	n/a	n/a	28.00	SBBC-40ALHP	SBBC-40SS & CR	BC-75CR	
6"	32.25	39.00	n/a	n/a	n/a	32.25	SBBC-40ALHP	SBBC-40SS & CR	BC-75CR	

Watts

U009AQT		M2AQT	Length	Installed	nip	nip total	elbow total	Total inches	Alum	Smooth	Expanded
3/4"	16.25	22.00	n/a	n/a	n/a	16.25	SBBC-22AL	SBBC-22SS & CR	BC-30CR		
1"	17.50	23.00	n/a	n/a	n/a	17.25	SBBC-22AL	SBBC-22SS & CR	BC-30CR		
1 1/2"	20.50	24.00	n/a	n/a	n/a	20.50	SBBC-30AL	SBBC-30SS & CR	BC-30CR		
2"	25.50	24.00	n/a	n/a	n/a	25.50	SBBC-30AL	SBBC-30SS & CR	BC-30CR		

U009QT

U009QT		M2QT	Length	Installed	nip	nip total	elbow total	Total inches	Alum	Smooth	Expanded
3/4"	13.75	22.00	3.00	5.00	4.00	23.00	SBBC-30AL	SBBC-30SS & CR	BC-30CR		
1"	17.50	23.00	3.00	5.00	5.00	27.50	SBBC-30AL	SBBC-30SS & CR	BC-30CR		
1 1/4"	24.50	24.00	3.00	5.00	5.50	35.00	SBBC-45AL	SBBC-45SS & CR	BC-45CR		
1 1/2"	25.50	24.00	3.00	5.00	6.00	36.50	SBBC-45AL	SBBC-45SS & CR	BC-45CR		
2"	27.50	24.00	3.00	5.00	7.50	40.00	SBBC-45AL	SBBC-45SS & CR	BC-45CR		

909

909		RPDA	Length	Installed	nip	nip total	elbow total	Total inches	Alum	Smooth	Expanded
2 1/2"	42.25	34.00	n/a	n/a	n/a	17.00	59.25	SBBC-75ALHP	SBBC-75SS & CR	BC-75CR	
3"	42.25	37.00	n/a	n/a	n/a	18.50	60.75	SBBC-75ALHP	SBBC-75SS & CR	BC-75CR	
4"	55.25	41.00	n/a	n/a	n/a	22.00	77.25	N/A	N/A	BC-75CR	
6"	66.00	49.00	n/a	n/a	n/a	27.00	93.00	N/A	N/A	N/A	

Wilkins										
375	XL/VSR							Alum	Smooth	Expanded
	Length	Installed	nip	nip total	elbow total	Total inches				
3/4"	12.75	20.00	3.00	5.00	4.00	21.75	SBBC-30AL	SBBC-30SS & CR	BC-30CR	
1"	15.75	20.50	3.00	5.00	5.00	25.75	SBBC-30AL	SBBC-30SS & CR	BC-30CR	
1 1/4"	20.50	22.00	3.00	5.00	5.50	31.00	SBBC-45AL	SBBC-45SS & CR	BC-45CR	
1 1/2"	21.75	23.00	3.00	5.00	6.00	32.75	SBBC-45AL	SBBC-45SS & CR	BC-45CR	
2"	24.25	25.00	3.00	5.00	7.50	36.75	SBBC-45AL	SBBC-45SS & CR	BC-45CR	
2 1/2"	31.00	33.00	n/a	n/a	17.00	48.00	SBBC-60ALHP	SBBC-75SS & CR	BC-75CR	
3"	32.00	34.00	n/a	n/a	18.50	50.50	SBBC-60ALHP	SBBC-75SS & CR	BC-75CR	
4"	38.00	38.00	n/a	n/a	22.00	60.00	SBBC-75ALHP	SBBC-75SS & CR	BC-75CR	
6"	45.00	44.00	n/a	n/a	27.00	72.00	SBBC-90ALHP	N/A	N/A	
975	XL/XL2V							Alum	Smooth	Expanded
	Length	Installed	nip	nip total	elbow total	Total inches				
3/4"	15.00	22.00	3.00	5.00	4.00	24.00	SBBC-30AL	SBBC-30SS & CR	BC-30CR	
1"	16.00	23.00	3.00	5.00	5.00	26.00	SBBC-30AL	SBBC-30SS & CR	BC-30CR	
1 1/4"	17.00	24.00	3.00	5.00	5.50	27.50	SBBC-30AL	SBBC-30SS & CR	BC-30CR	
1 1/2"	17.50	24.00	3.00	5.00	6.00	28.50	SBBC-45AL	SBBC-45SS & CR	BC-45CR	
2"	18.50	24.00	3.00	5.00	7.50	31.00	SBBC-45AL	SBBC-45SS & CR	BC-45CR	
475	V							Alum	Smooth	Expanded
	Length	Installed	nip	nip total	elbow total	Total inches				
2 1/2"	33.00	34.00	n/a	n/a	n/a	34.00	SBBC-40ALHP	SBBC-40SS & CR	BC-75CR	
3"	34.00	36.00	n/a	n/a	n/a	36.00	SBBC-40ALHP	SBBC-40SS & CR	BC-75CR	
4"	42.00	36.00	n/a	n/a	n/a	36.00	N/A	N/A	BC-75CR	
6"	48.00	38.00	n/a	n/a	n/a	38.00	N/A	N/A	N/A	

Inside Dimensions

	Wt.	Length	Width	Height
SBBC-22SS/CR	43	20	14	27
SBBC-30SS/CR	53	27	14	27
SBBC-45SS/CR	61	42	14	27
SBBC-20SS	53	18	14	48.5
SBBC-40SS/CR	80	38	23	37.5
SBBC-75SS/CR	150	72	23	37.5
SBBC-15AL	35	11.75	14	27.5
SBBC-30AL	51	27	14	27.5
SBBC-45AL	67	42	14	27.5
SBBC-60AL	82	57	14	27.5
SBBC-40ALHP	88	38	21.5	37.5
SBBC-60ALHP	118	58	21.5	37.5
SBBC-75ALHP	128	73	21.5	37.5
SBBC-90ALHP	158	88	21.5	37.5
PE-40AL	98	38	36	37.5
PE-60AL	128	58	36	37.5
BC-30CR/CRG	45	27	9	25
BC-45CR/CRG	73	42	15	31
BC-75CR/CRG	160	72	27	43

VANDAL-RESISTANT EASY ACCESS BACKFLOW ENCLOSURE

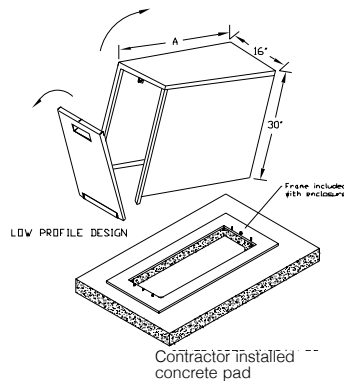
- Marine grade aluminum alloy construction provides lasting durability and strength, with light weight for ease of handling
- 100% stainless steel hardware assures long-term, rust proof durability and additional strength
- Enclosures secured to mounting hardware providing easy access for service and repair
- Flush-mounted locking mechanism and solid sheet construction ensures maximum security
- Chameleon effect of the natural finish provides an unobtrusive quality
- Five year limited warranty
- All aluminum enclosures may be powder coated in many colors at an extra charge

Low Profile Enclosure

	"A" Length	Height	Width
SBBC-22AL	22"	30"	16.25"
SBBC-30AL	30"	30"	16.25"
SBBC-45AL	45"	30"	16.25"

Note: For inside dimensions, see Backflow Cover Sizing Chart on pages 14-15.

- Marine grade aluminum
- Stainless steel hardware
- Weather resistant
- Patented locking system accepts padlock



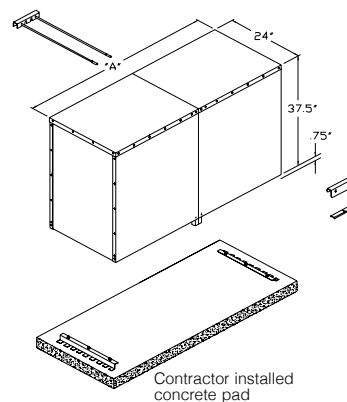
SPECIFICATION ON PAGE 48

High Profile Two Piece Enclosure

	"A" Length	Height	Width
SBBC-40ALHP	40"	39"	24"
SBBC-60ALHP	60"	39"	24"
SBBC-75ALHP	75"	39"	24"
SBBC-90ALHP	90"	39"	24"

Note: For inside dimensions, see Backflow Cover Sizing Chart on pages 14-15.

- Marine grade aluminum
- Stainless steel hardware
- Weather resistant
- Patented locking system accepts padlock



SPECIFICATION ON PAGE 49

ALL WEATHER INSULATED BACKFLOW ENCLOSURE

- Marine grade aluminum alloy construction provides lasting durability and strength, with light weight for ease of handling
- 100% stainless steel hardware assures long-term, rust proof durability and additional strength
- Enclosures secured to mounting hardware providing easy access for service and repair
- Flush-mounted locking mechanism and solid sheet construction ensures maximum security
- Chameleon effect of the natural finish provides an unobtrusive quality
- R-19 insulation value Polar Bearier Blanket*
- Flexible rubber skirt provides protection from wind but allows drainage
- Five year limited warranty
- All aluminum enclosures may be powder coated in many colors at an extra charge

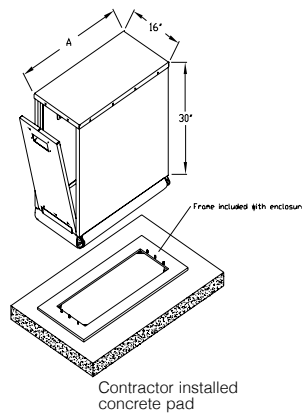
*Polar Bearier Blankets for insulating backflow devices included as insulation for insulated enclosures

Low Profile Insulated Enclosure

	"A" Length	Height	Width
SBBC-22ALI	22"	30"	16.25"
SBBC-30ALI	30"	30"	16.25"
SBBC-45ALI	45"	30"	16.25"

Note: For inside dimensions, see Backflow Cover Sizing Chart on pages 14-15.

- Marine grade aluminum
- Stainless steel hardware
- Weather resistant
- Patented locking system accepts padlock



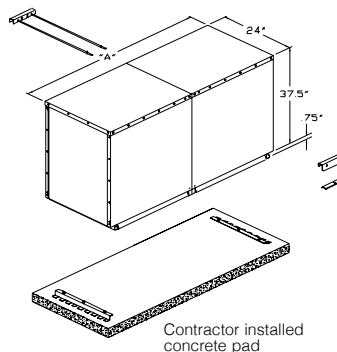
SPECIFICATION ON PAGE 50

High Profile Insulated Two Piece Enclosure

	"A" Length	Height	Width
SBBC-40ALHPI	40"	39"	24"
SBBC-60ALHPI	60"	39"	24"
SBBC-75ALHPI	75"	39"	24"
SBBC-90ALHPI	90"	39"	24"

Note: For inside dimensions, see Backflow Cover Sizing Chart on pages 14-15.

- Marine grade aluminum
- Stainless steel hardware
- Weather resistant
- Patented locking system accepts padlock



SPECIFICATION ON PAGE 51

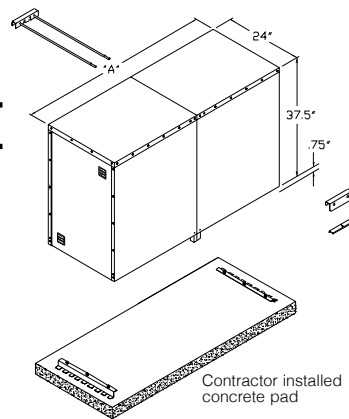
**VANDAL RESISTANT EASY ACCESS
PUMP AND POWER CONDITIONERS ENCLOSURE**

- Marine grade aluminum alloy construction provides lasting durability and strength, with light weight for ease of handling
- 100% stainless steel hardware assures long-term rust proof durability and additional strength
- Full release locking mechanism requires no tools and provides easy access for service and repair
- Flush-mounted locking mechanism and solid sheet construction ensures maximum security
- Chameleon effect of the natural finish provides an unobtrusive quality
- Five year limited warranty
- All aluminum enclosures may be powder coated in many colors at an additional charge

Power Conditioner Enclosure

	"A" Length	Height	Width
SBBC-40ALHPPC	40"	39"	24"

- Marine grade aluminum
- Stainless steel hardware
- Weather resistant
- Patented locking system accepts padlock
- Removable without tools

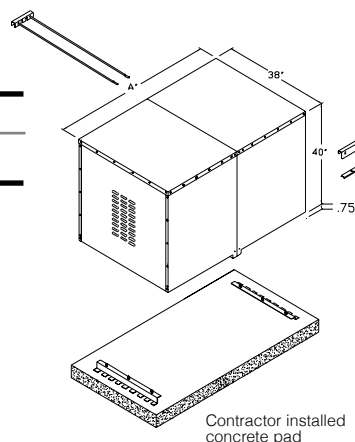


SPECIFICATION ON PAGE 49

Pump Enclosure

	"A" Length	Height	Width
PE-40AL	40"	39"	38"
PE-60AL	60"	39"	38"

- Marine grade aluminum
- Stainless steel hardware
- Weather resistant
- Patented locking system accepts padlock
- Removable without tools



SPECIFICATION ON PAGE 47

**EXPANDED METAL VANDAL RESISTANT
BACKFLOW COVER**

- 1½” number 9, flattened expanded metal allows full viewing of backflow preventer
- Cold rolled, formed steel frame provides strength and stability
- Lock tab provides for use of padlock
- Easy lift handles and hinges access provides for service and testing
- Coated with a performance polymer alloy coating to prevent handling injury.
- Open diamond-patterned panels minimizes surface area for graffiti
- One year limited warranty
- Standard colors for powder coated enclosures are dark green and tan. All other colors are available at an extra charge

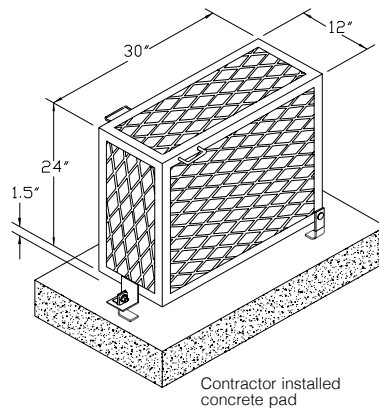
**Low Profile Expanded
Metal Cover**

	“A” Length	Height	Width
BC-30CR	30”	25.5”	12”
BC-45CR	45”	31.5”	18”

Note: For inside dimensions, see Backflow Cover Sizing Chart on pages 14-15.

- Plasticote powder coat finish
- Accepts padlock
- Hinged for easy access
- Minimized surface area for graffiti

SPECIFICATION ON PAGE 56



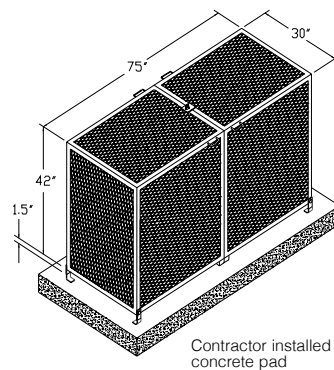
**High Profile Expanded
Metal Cover**

	“A” Length	Height	Width
BC-75CR	75”	43.5”	30”

Note: For inside dimensions, see Backflow Cover Sizing Chart on pages 14-15.

- Plasticote powder coat finish
- Accepts padlock
- Hinged for easy access
- Minimized surface area for graffiti

SPECIFICATION ON PAGE 57



**SMOOTH TOUCH™ VANDAL RESISTANT
BACKFLOW ENCLOSURE**

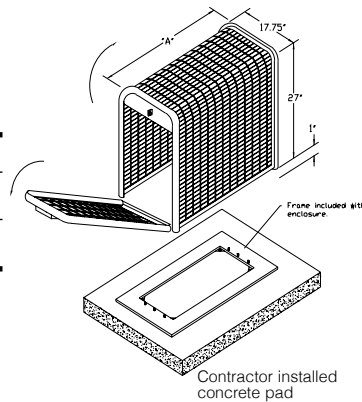
- Tube and wire construction provides a smooth surface to protect against handling injury
- Architectural lines of the enclosure blend beautifully into the landscape environment
- 100% stainless steel construction assures long-term, rustproof durability and additional strength
- Ten year limited warranty
- All stainless steel enclosures may be powder coated in many colors at an extra charge

**Low Profile Smooth Touch™
Enclosure**

	"A" Length	Height	Width
SBBC-22SS	23.5"	28"	17.75"
SBBC-30SS	31.5"	28"	17.75"
SBBC-45SS	46.5"	28"	17.75"

Note: For inside dimensions, see Backflow Cover Sizing Chart on pages 14-15.

- 100% stainless steel
- Stainless steel hardware
- Weather resistant
- Patented locking system accepts padlock
- Minimal surface area deters graffiti



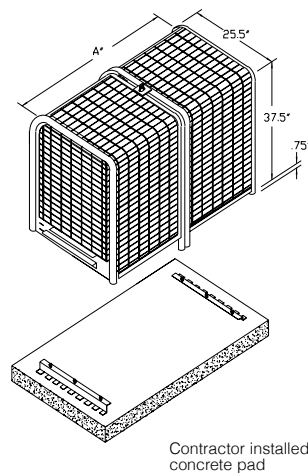
SPECIFICATION ON PAGE 52

**High Profile Smooth Touch™
Enclosure**

	"A" Length	Height	Width
SBBC-20SS	20"	46.5"	17.75"
SBBC-40SS	40"	39"	25.5"
SBBC-75SS	76.5"	39"	25.5"

Note: For inside dimensions, see Backflow Cover Sizing Chart on pages 14-15.

- 100% stainless steel
- Stainless steel hardware
- Weather resistant
- Patented locking system accepts padlock
- Minimal surface area deters graffiti



SPECIFICATION ON PAGE 53

**SMOOTH TOUCH™ VANDAL RESISTANT
BACKFLOW ENCLOSURE**

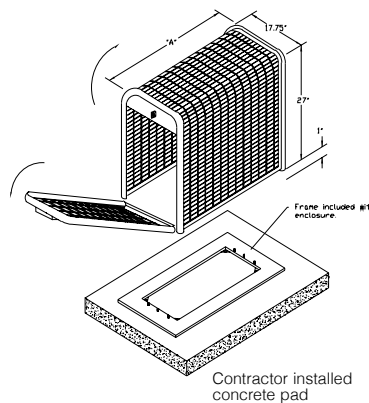
- Tube and wire construction provides a smooth surface to protect against handling injury
- Architectural lines of the enclosure blend beautifully into the landscape environment
- Coated with a performance polymer alloy coating to prevent handling injury.
- One year limited warranty
- Standard colors for powder coated enclosures are dark green and tan. All other colors are available at an extra charge

**Low Profile Smooth Touch™
Enclosure**

	"A" Length	Height	Width
SBBC-22CR	23.5"	28"	17.75"
SBBC-30CR	31.5"	28"	17.75"
SBBC-45CR	46.5"	28"	17.75"

Note: For inside dimensions, see Backflow Cover Sizing Chart on pages 14-15.

- 100% stainless steel
- Stainless steel hardware
- Weather resistant
- Patented locking system accepts padlock
- Minimal surface area deters graffiti



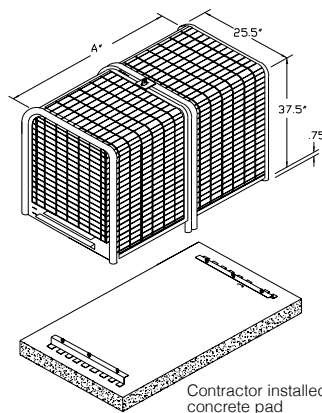
SPECIFICATION ON PAGE 54

**High Profile Smooth Touch™
Enclosure**

	"A" Length	Height	Width
SBBC-40CR	40"	39"	25.5"
SBBC-75CR	76.5"	39"	25.5"

Note: For inside dimensions, see Backflow Cover Sizing Chart on pages 14-15.

- 100% stainless steel
- Stainless steel hardware
- Weather resistant
- Patented locking system accepts padlock
- Minimal surface area deters graffiti



SPECIFICATION ON PAGE 55



- Polar Bearier helps prevent freeze damage to backflow devices.
- Provides vandal resistant protection to backflow devices.
- Reduces liability by cushioning backflow devices.
- Reduces time and materials wasted on annual backflow wrapping.
- Can be installed inside existing backflow enclosures.
- Provides an aesthetic alternative to exposed backflow devices.

A simple, effective, and stylish way to insulate backflow devices to help prevent freezing. The Polar Bearier is a slip-on insulating cover that installs in seconds and removes even quicker for backflow maintenance. This unique device uses space age insulation materials to provide R-19 insulation while maintaining a sleek and attractive appearance.

The construction materials include:

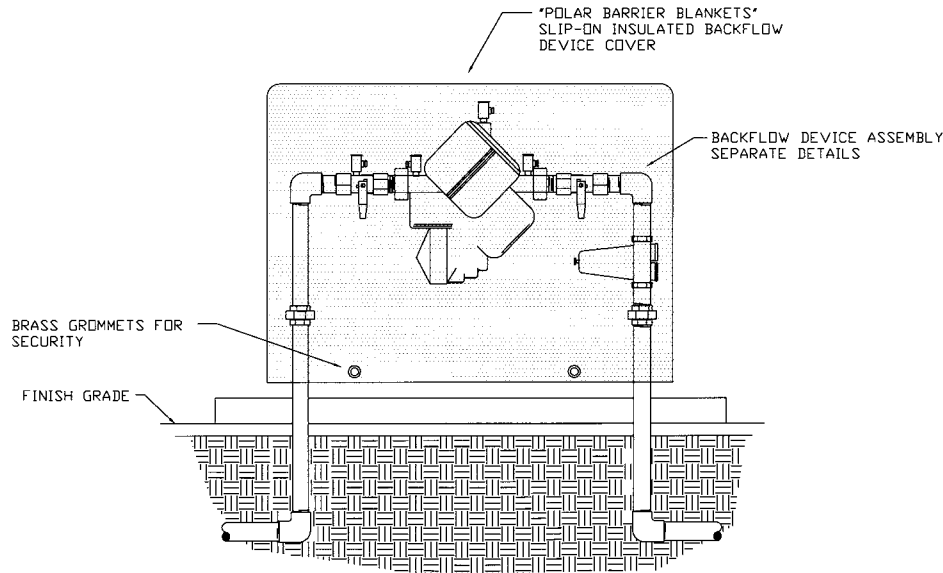
1. A heavy-duty, water repellent exterior cover of acrylic impregnation coated polyester fabric. Standard colors is forest green. This marine fabric is guaranteed for a five year period against excessive loss of color or strength under normal exposure conditions. The cover has been designed to be removable. Custom exterior colors as well as silk screened agency logos are available by special order.
2. A layer of Radiant Barrier Foil (RBF) that blocks 97% of radi-

ant heat. This material consists of a layer of polyethylene bubbles bonded to and sandwiched between two industrial strength aluminum foil sheets. This material is impervious to moisture, does not promote fungus or bacteria growth and is unsuitable for pest nesting material.

3. A 1/4" thick polyolefin foam layer for added additional insulation also provides support to the Polar Bearier.
4. R-19 Polar Beariers use a second layer of RBF to provide added insulation.
5. A water repellent lining of 200 denier nylon fabric to resist tears from backflow parts.
6. A Velcro® strip at the base of the Polar Bearier closes the system to prevent drafts and allows water to exit the cover should the backflow unit develop a leak.
7. Brass grommets at the base of the Polar Bearier allow for multiple pad lock security.



Why continue to wrap your backflow devices with lumpy fiberglass and tape when you can simply slip on a Polar Bearier? Wrapping a backflow device is expensive and the wrap must be replaced annually or when the fiberglass becomes wet in order to retain the insulating value. In fact, compression of the fiberglass material during wrapping significantly reduces the insulating or "R" value. On average a Polar Bearier can be installed on a backflow device for about 1½ times the cost of one year's wrapping with ineffective fiberglass and tape.



Specification of the correct Polar Bearrier for your project can be easily accomplished by using the following product information.

Backflow devices installed in areas where long freezing periods can be anticipated should be drained or protected with backflow heating devices.

Determine the height of the backflow device above finished grade. Keep in mind that most local codes require that the bottom of the backflow device be 12" above finished grade. Most 1½" and 2" backflow device assemblies installed to code will be between 20" and 24" high.

Use a 24" high Polar Bearrier for these applications.

Pressure backflow devices installed 12" above the highest head will often require the use of the larger 34" and 46" high Polar Bearriers.

The length of the backflow device assembly is the most difficult dimension to determine. The length of the assembly will be based on the type of backflow device used, the size and type of additional equipment such as regulators and wye strainers, the location of the additional equipment on the assembly, and the length of the nipples between

equipment. Field measurement of the installed equipment will result in the best determination of assembly length. Measure the overall length of the assembly and add 6" to find the size of the backflow cover. If the resulting measurement falls in between sizes on the Polar Bearrier use the larger of the two sizes to insure a correct fit.

Part No.	Dimensions
PBB-15	16"L x 6"D x 24"H
PBB-22	22"L x 6"D x 24"H
PBB-30	28"L x 6"D x 24"H
PBB-45	46"L x 6"D x 24"H
PBB-60	56"L x 6"D x 24"H
PBB-40HP	40"L x 6"D x 36"H
PBB-60HP	60"L x 6"D x 36"H
PBB-75HP	72"L x 6"D x 36"H
PBB-90HP	90"L x 6"D x 36"H
PBB-20HP	24"L x 6"D x 46"H

**COMMERCIAL METER PEDESTAL
WITH CUSTOMER SECTION**

- Provides metered power distribution for street lighting, park lighting, private development lighting, signage, irrigation, pump, and cellular applications
- 100% stainless steel construction assures long term, rustproof durability and additional strength
- Swingside top allows for full exposure of meter compartment
- Top is easier to open and control than fliptops, and locks open for safety
- All stainless steel enclosures may be powder coated in various colors at an additional charge
- Double door design
- Mounting template and anchors included
- Ten year limited warranty
- NEMA TYPE 3R UL Listed

METER SECTION

- 0-200 amp meter sockets; 4, 5, 7 Jaw available
- 120v, 280v, 240v and 480v models available
- NEMA TYPE 3R Rated UL Listed
- E.U.S.E.R.C. 308 compliant commercial meter pedestal

CUSTOMER SECTION

- Unique design provides large electrical customer compartment but maintains a slim, small cabinet profile
- 0-200 amp load centers with up to 32 circuits
- 20" x 30" customer electrical compartment

MPS-A16-10K* Metered Enclosure

- 100 amp meter/100 amp load center
- 16 Circuits with main breaker, Single Phase

MPS-C20-10K* Metered Enclosure

- 200 amp meter/200 amp load center
- 20 Circuits with main breaker, Single Phase

MPS-C32-10K* Metered Enclosure

- 200 amp meter/200 amp load center
- 32 Circuits with main breaker, Single Phase

MPS-D18-10K* Metered Enclosure

- 100 amp meter/100 amp load center
- 18 Circuits with main breaker, Three Phase

MPS-E24-10K* Metered Enclosure

- 200 amp meter/200 amp load center
- 24 Circuits with main breaker, Three Phase

SPECIFICATION ON PAGE 59-60

**COMMERCIAL SERVICE PEDESTAL WITH CUSTOMER
AND ENCLOSURE SECTIONS**

- Provides metered power distribution for street lighting, park lighting, private development lighting, signage, irrigation, pump, and cellular applications
- 100% stainless steel construction assures long term, rustproof durability and additional strength
- Swingside top allows for full exposure of meter compartment
- Top is easier to open and control than fliptops, and locks open for safety
- All stainless steel enclosures may be powder coated in various colors at an additional charge
- Double door design
- Mounting template and anchors included
- Ten year limited warranty
- NEMA TYPE 3R UL Listed

METER SECTION

- 0-200 amp meter sockets; 4, 5, 7 jaw available
- 120v, 280v, 240v and 480v models available
- NEMA TYPE 3R Rated UL Listed
- E.U.S.E.R.C. 308 compliant commercial meter pedestal

CUSTOMER SECTION

- Unique design provides large electrical customer compartment but maintains a slim, small cabinet profile
- 0-200 amp load centers with up to 32 circuits
- 20" x 30" customer electrical compartment

ENCLOSURE SECTION

- Removable backboards provides for easy installation and an attractive finished product
- Large door-mounted storage area provides access to plans and scheduling information
- Side louvers at bottom and top allow cross flow ventilation

**MPE-A16-10K* Metered Enclosure**

- 100 amp meter/100 amp load center
- 16 Circuits with main breaker, Single Phase

MPE-C20-10K* Metered Enclosure

- 200 amp meter/200 amp load center
- 20 Circuits with main breaker, Single Phase

MPE-C32-22K* Metered Enclosure

- 200 amp meter/200 amp load center
- 32 Circuits with main breaker, Single Phase

MPE-D18-10K* Metered Enclosure

- 100 amp meter/100 amp load center
- 18 Circuits with main breaker, Three Phase

MPE-E24-10K* Metered Enclosure

- 200 amp meter/200 amp load center
- 24 Circuits with main breaker, Three Phase

SPECIFICATION ON PAGE 61-62

** All meter pedestals available with AIC ratings of 22k, 65k and higher.
Photocell, time clocks, lighting contractors and circuit breakers available factory installed.*

COMMERCIAL SERVICE PEDESTAL

- Provides metered power distribution for street lighting, parking lot lighting, private development lighting, signage, irrigation, pump stations, and cellular applications
- Caltrans Type III-AF and Caltrans Spec ES-2D compliant
- 100% stainless steel welded construction provides ultimate protection against corrosion and vandalism
- Flip top allows for full exposure of meter compartment
- Top locks accept 5/16 padlock and utility seal
- All stainless steel construction
- Optional colors, standard gray
- Weather and vandal resistant

FEATURES

- Standard Voltage 120/240 V, 1 Phase 3W
- Meter Socket: 4 Jaw, 100 Amp
- Main Breaker: 100 Amp, 10K AIC
- Meter Socket with Test Blocks
- Utility Landing Lugs: 200 Amp
- Flip Top Meter Door
- Load Center Panels or Lug Style Busses Available
- Access Panels Designed for Padlock & Utility Seal
- Template with Anchor Bolts
- 5 Year Limited Warranty

OPTIONS

- Meter Socket: 5 Jaw, 100 Amp
- Maximum Voltage: 240 V, 1 Phase, 3W
- Higher AIC Available: 22K, 42K
- Powdercoat Colors Available
- Optional Time Clock, Lighting & Contact Block

SPECIFICATIONS

- Caltrans Type III-AF Compliant
- Caltrans Spec. ES-2D Compliant
- 16 Gauge Stainless Steel Welded Construction
- Vandal Resistant Enclosure
- Listed by Underwriters Laboratories
- Complies with EUSERC 308
- Rainproof Type 3R Rated
- UL 508A Panel Shop

SPECIFICATION ON PAGE 63



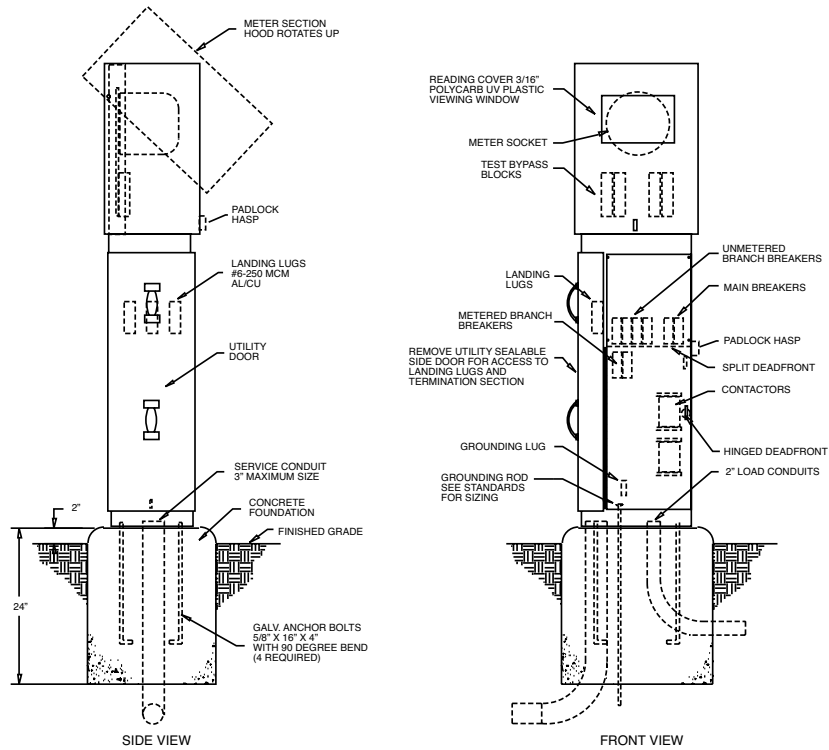
CSP-A Model Numbers & Service Options

Model No.	Amps	Voltage	AIC Rating	Main
CSP-A106-10K*	100A	120/240	10,000	100A
CSP-A106-42K*	100A	120/240	42,000	100A
CSP-A112-10K*	100A	120/240	10,000	100A
CSP-A112-42K*	100A	120/240	42,000	100A

* Series AIC Ratings Available: 10K, 22K, 42K, 65K
#4 at end of part number signifies brushed stainless finish

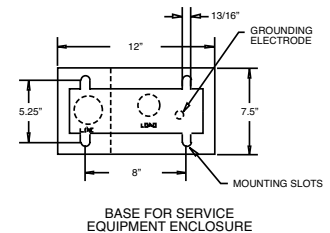
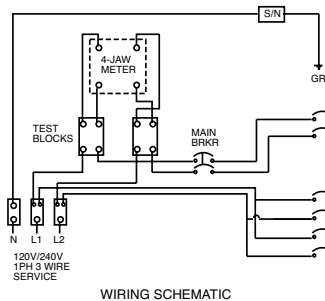
CSP-A SERIES METERED ENCLOSURE

Designed to supply metered power to remote locations. Typical applications include street lighting, traffic signal circuits, parking lot lighting, highway and pump stations and cellular applications.



METER SPECIFICATIONS

- 0-100 Amp Load Center with up to 6 Circuits or 12 Circuits
- 120V & 240V 1 Phase Models Available
- Test Blocks
- UL Listed, NEMA TYPE 3R Rated
- EUSERC 308 Compliant Commercial Meter Pedestal
- Cabinet Profile with Removable Doors
- 12" W x 50" H x 9" D Cabinet
- 12" W x 63" H x 9" D Cabinet
- 5 Year Limited Warranty



COMMERCIAL SERVICE PEDESTAL

- Provides metered power distribution for street lighting, parking lot lighting, traffic signal circuits, private development lighting, signage, irrigation, pump stations, and cellular applications
- Caltrans Type III-BF and Caltrans Spec ES-2E compliant
- 100% stainless steel welded construction provides ultimate protection against corrosion and vandalism
- Swingside top allows for full exposure of meter compartment
- Top is easier to open and control than fliptops, and locks out for safety
- All stainless steel construction
- Weather and vandal resistant
- Metered and unmetered available

FEATURES

- Standard Voltage 120/240 V, 1 Phase 3W
- Meter Socket: 4 Jaw, 100 Amp
- Main Breaker: 100 Amp, 10K AIC
- Meter Socket with Test Blocks
- Utility Landing Lugs: 200 Amp
- Swingside Top Meter Door
- 6-20 Circuit Copper Bussed Interior or Lug Style Busses Available
- Access Panels Designed for Padlock & Utility Seal
- Template with Anchor Bolts
- 5 Year Limited Warranty

SPECIFICATIONS

- Caltrans Type III-BF Compliant
- Caltrans Spec. ES-2E Compliant
- 16 Gauge Stainless Steel Welded Construction
- Vandal Resistant Enclosure
- Listed by Underwriters Laboratories
- Complies with EUSERC 308
- Rainproof Type 3R Rated
- UL 508A Panel Shop

SPECIFICATION ON PAGE 63

OPTIONS

- Meter Socket: 5 Jaw, 100 or 200 Amp
- Metered & Unmetered Available
- Maximum Voltage: 240 V or 480 V, 1 Phase, 3W or 3 Phase, 4W
- Higher AIC Available: 22K, 42K
- Powdercoat Colors Available
- Optional Time Clock, Lighting & Contact Block

CSP-B Model Numbers & Service Options

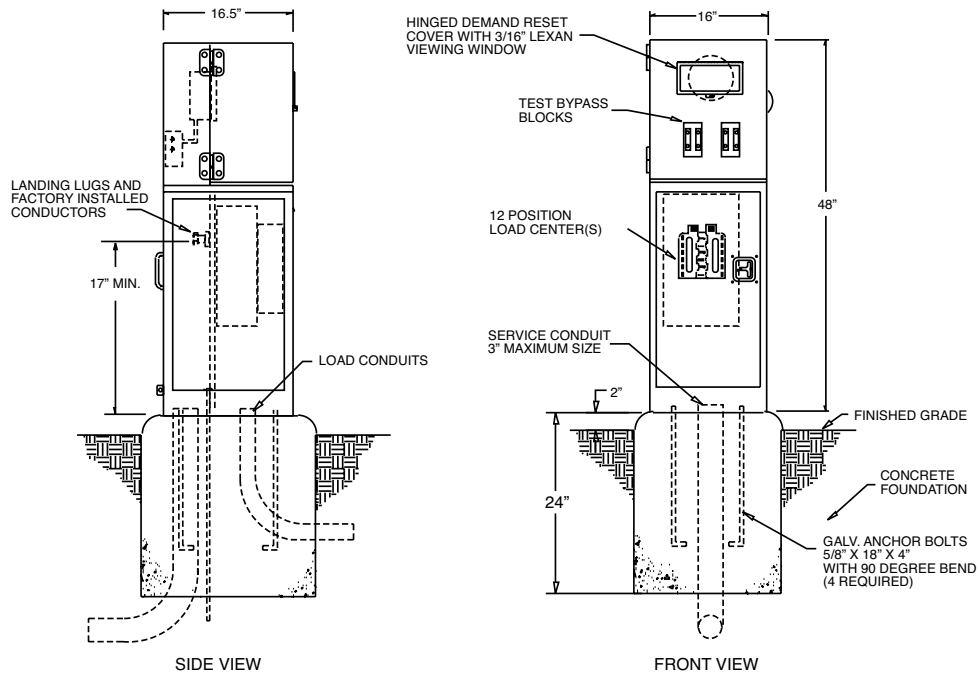
Model No.	Amps	Voltage	AIC Rating	Main
CSP-B188-10K*	100A	120/240	10,000	(2x) 100A
CSP-B108-10K*	100A	120/240	10,000	100A
CSP-B116-10K*	100A	120/240	10,000	100A
CSP-B208-10K*	200A	120/240	10,000	200A
CSP-B216-10K*	200A	120/240	10,000	200A
CSP-B116-42K*	100A	120/240	42,000	100A

* Series AIC Ratings Available: 10K, 22K, 42K, 65K #4 at end of part number signifies brushed stainless finish



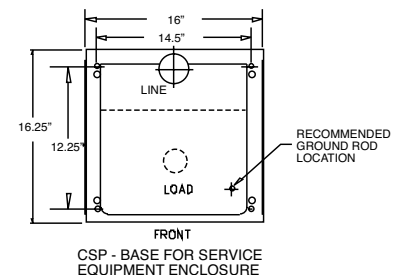
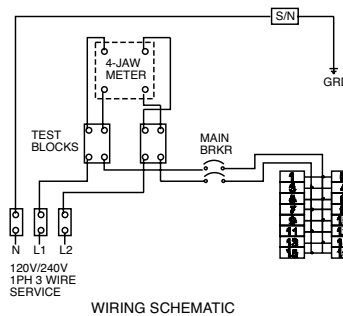
CSP-B SERIES METERED ENCLOSURE

Designed to supply metered power to remote locations. Typical applications include street lighting, traffic signal circuits, parking lot lighting, highway and pump stations and cellular applications.



METER SPECIFICATIONS

- 0-200 Amp Load Center with up to 32 Circuits
- 120V & 240V Models Available
- Test Blocks
- UL Listed, NEMA TYPE 3R Rated
- EUSERC 308 Compliant Commercial Meter Pedestal
- Small Cabinet Profile with Side Swinging Doors
- 16" W x 48" H x 16" D Cabinet
- 5 Year Limited Warranty



COMMERCIAL SERVICE PEDESTAL

- Provides separate billing of metered power distribution for street lighting, parking lot lighting, traffic signal circuits, private development lighting, signage, irrigation, pump stations, and cellular applications
- Caltrans Type III-CF
- 100% stainless steel welded construction provides ultimate protection against corrosion and vandalism
- Lift-up top provides easy access to meter
- All stainless steel construction
- Weather and vandal resistant
- Metered and unmetered available

FEATURES

- Standard Voltage 120/240 V, 1 Phase 3W
- Meter Sockets: 4 Jaw, 100 Amp
- Main Breakers: 100 Amp, 10K AIC
- Meter Sockets with Test Blocks
- Utility Landing Lugs: 200 or 400 Amp
- Flip Top Meter Door
- 6-20 Circuit Copper Bussed or Lug Style Busses Available (Per Meter)
- Access Panels Designed for Padlock & Utility Seal
- Template with Anchor Bolts
- 5 Year Limited Warranty

SPECIFICATIONS

- Caltrans Type III-CF Compliant
- 16 Gauge Stainless Steel Welded Construction
- Vandal Resistant Enclosure
- Listed by Underwriters Laboratories
- Complies with EUSERC 308
- Rainproof Type 3R Rated
- UL 508A Panel Shop

SPECIFICATION ON PAGE 63

OPTIONS

- Meter Socket: 5 Jaw, 100 or 200 Amp
- Metered & Unmetered Available
- Maximum Voltage: 240 V or 480 V, 1 Phase, 3W or 3 Phase, 4W
- Higher AIC Available: 22K, 42K
- Powdercoat Colors Available
- Optional Time Clock, Lighting & Contact Block

CSP-C Model Numbers & Service Options

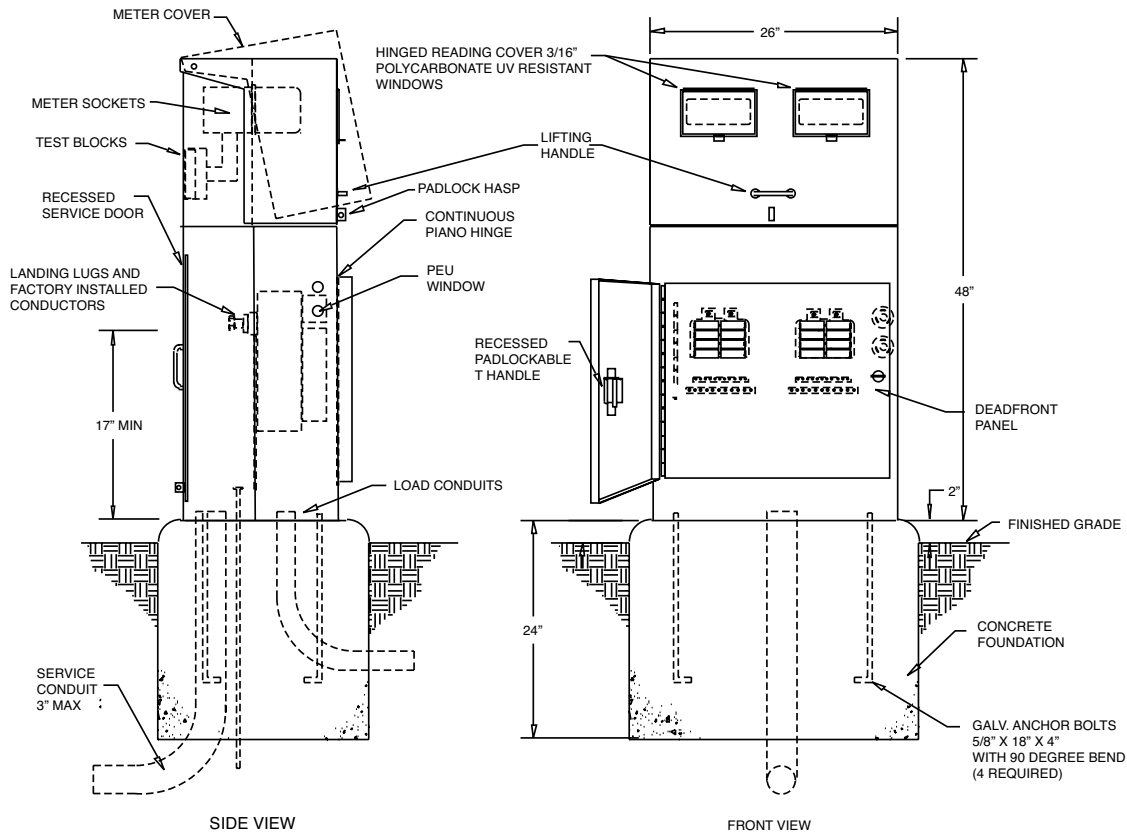
Model No.	Amps	Voltage	AIC Rating	Main
CSP-C188-10K*	100A	120/240	10,000	(2x) 100A
CSP-C120-10K*	100A	120/240	10,000	100A
CSP-C116-10K*	100A	120/240	10,000	100A
CSP-C208-10K*	200A	120/240	10,000	200A
CSP-C216-10K*	200A	120/240	10,000	200A
CSP-C288-42K*	200A	120/240	42,000	200A

* Series AIC Ratings Available: 10K, 22K, 42K, 65K
#4 at end of part number signifies brushed stainless finish



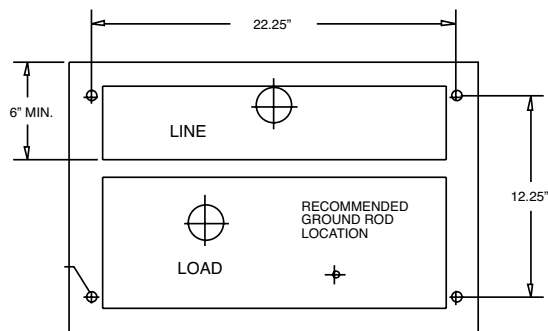
CSP-C SERIES METERED ENCLOSURE

Designed to supply metered power to remote locations. Typical applications include street lighting, traffic signal circuits, parking lot lighting, highway and pump stations and cellular applications.



METER SPECIFICATIONS

- 0-200 Amp Load Center with up to 20 Circuits Per Meter
- 120V, 240V & 480V Models Available
- Test Blocks
- UL Listed, NEMA TYPE 3R Rated
- EUSERC 308 Compliant Commercial Meter Pedestal
- Flip Top Meter Door
- 25" W x 48" H x 16.5" D Cabinet
- 5 Year Limited Warranty



CSP C-SERIES - BASE FOR SERVICE EQUIPMENT ENCLOSURE

**COMBINED COMMERCIAL METER SOCKET
WITH THE ULTIMATE ENCLOSURE**

- Compact, double door, front and back design, provides viewing and programming convenience
- 100% stainless steel construction assures long-term, rust-proof durability and additional strength
- Chameleon effect of the natural brushed stainless steel finish provides an unobtrusive quality
- All stainless steel enclosures may be powder coated in many colors at an additional charge

METER SECTION

- UL listed, E.U.S.E.R.C. 309 approved commercial meter socket, 100 amp rated, with test block bypass provision
- Hinged viewing window provides convenient access for metering agency
- 100 amp load center
- 120v and 240v models available

ENCLOSURE SECTION

- Removable, predrilled backboard provides for easy installation and an attractive finished product
- Large door-mounted storage area and literature storage pocket provides easy access to plans and scheduling information
- Filtered side louvers at bottom and top allow cross flow ventilation
- Mounting template and anchors included
- Ten year limited warranty

**SB-24SS/120V
Metered Enclosure
120 Volt**

- 24" Wide, 48" High, 29" Deep
- 120 Volt Meter Socket
- Test Blocks
- 8 Position Load Center
- Double Door Design
- 12" Deep Storage on Back Side
- 100% Stainless Steel
- Weather & Vandal Resistant

- Three-Point Locking System
- Removable, Predrilled Backboard
- Large Door-Mounted Storage & Literature Pocket
- Louvered For Ventilation
- Mounting Template & Anchors
- UL Listed
- NEMA TYPE 3R Rated

SPECIFICATION ON PAGE 58**SB-24SS/240V
Metered Enclosure
240 Volt**

- 24" Wide, 48" High, 29" Deep
- 240 Volt Meter Socket
- Test Blocks
- 8 Position Load Center
- Double Door Design
- 12" Deep Storage on Back Side
- 100% Stainless Steel

- Weather & Vandal Resistant
- Three-Point Locking System
- Removable, Predrilled Backboard
- Large Door-Mounted Storage & Literature Pocket
- Louvered For Ventilation
- Mounting Template & Anchors
- UL Listed
- NEMA TYPE 3R Rated

SPECIFICATION ON PAGE 58

BBS SERIES BATTERY BACKUP

The StrongBox Battery Backup System Traffic Enclosure is used to conceal batteries for traffic signals. These cabinets may be mounted to or with the StrongBox MPS Series meter pedestals or used as a stand alone pedestal. Our enclosures come with passive ventilation or fan with thermostat, louvers with dust filters, rain channel, gasket and a three point compression locking door.

Removable shelves give access to the battery compartments for wiring. The StrongBox BBS enclosure comes configured to accept most Battery Backup Systems for shelf mounted traffic applications.

SPECIFICATIONS

- Material: 14 ga. 304 stainless steel welded construction
- Certification: NEMA TYPE 3R
- Cooling: Optional thermostatically controlled fan, louvered door
- Security: Three point lock with padlock provision

FEATURES

- Designed to attach to MPS series pedestal or stand alone
- Removable shelves for ease of wiring
- 3 point compression latch door
- Stainless piano hinge on entry door
- Integrated rain channel around entry door

BBS-185212

- 18" Wide, 52" High, 12" Deep





Our new QuickPad™ mounting pad with support base makes installation and mounting of Strong Box® enclosures easier than ever. No concrete is needed.

The mounting pad has our unique fastening system that allows for easy, secure attachment of the pad to the support base and the enclosure to the pad.

Together, the heavy-duty pad, support base and a Strong Box® enclosure form a complete unit that is secure, stable and vandal resistant.

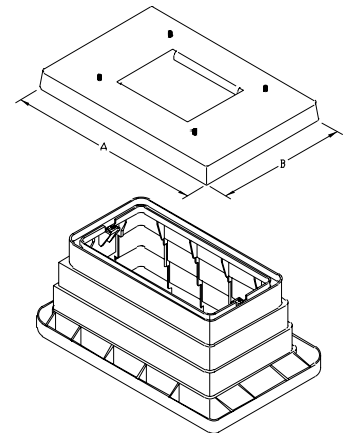
The buried support base provides added stability and security for the entire assembly.

All mounting hardware is stainless steel to prevent corrosion and rust.

Patent No 6,321,928.

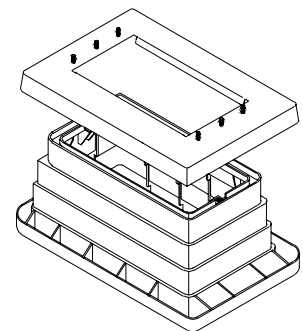
QuickPad for Strong Box® Controller Enclosures

		DIMENSIONS	
		A	B
QP-16	QuickPad for SB-16	28.5" Wide, 18.5" Deep	
QP-18	QuickPad for SB-18	28.5" Wide, 18.5" Deep	
QP-18D	QuickPad for SB-18D	28.5" Wide, 28.5" Deep	
QP-22	QuickPad for SB-22	28.5" Wide, 28.5" Deep	
QP-24	QuickPad for SB-24	28.5" Wide, 18.5" Deep	
QP-24D	QuickPad for SB-24D	28.5" Wide, 28.5" Deep	
QP-M	QuickPad for Metered Enclosure	28.5" Wide, 28.5" Deep	
QP-LD16	QuickPad for Light Duty Cabinets LD-16	28.5" Wide, 18.5" Deep	
QP-CSP	QuickPad for CSP-Meters	28.5" Wide, 18.5" Deep	
QP-MPE	QuickPad for MPE-Meters	32" Wide, 25" Deep	
QP-MPS	QuickPad for MPS-Meters	32" Wide, 25" Deep	



QuickPad for Strong Box® Backflow Enclosures

		DIMENSIONS	
		A	B
QP-22BF	QuickPad for SBBC-22 Series	28.5" Wide, 19" Deep	
QP-20BF	QuickPad for SBBC-20 Series	32" Wide, 19" Deep	
QP-30BF	QuickPad for SBBC-30 Series	32" Wide, 19" Deep	
QP-45BF	QuickPad for SBBC-45 Series	49" Wide, 19" Deep	



SPECIFICATION ON PAGE 40

36 & 52 STATION CONTROLLER SUBASSEMBLY

This package includes 120 volt, 15 amp, ground fault protected duplex box with receptacle and locking switch; flexible conduit and conduit; and terminal strips with placards.

CSA 36 Stations
CSA-52 52 Stations



THERMOSTATICALLY CONTROLLED FAN

The fan is easily installed and can be adjusted in the field to help maintain desired enclosure temperature.

OPT-FAN

OPT-FAN8-120PE 120V Version
OPT-FAN8-230PE 230V Version



SOLAR SYNC COVER

Solar Sync Cover is designed to protect Solar Sync switches from vandalism and made to attach to StrongBox enclosures with gasket seal.

SRSE



RAIN SWITCH ENCLOSURE

The Rain Switch Enclosure is designed to protect WCS and Mini-Click Rain Switches from vandalism.

RGVRSS

**POLE MOUNT RAIN SWITCH ENCLOSURE**

Mounts to 2" galvanized pipe.

RGVRSS-P



StrongBox™ Enclosures: Taking On The Elements For Over 25 Years



StrongBox™ manufactures high quality irrigation, plumbing and electrical landscape enclosures for every application. We also offer an extensive line of meter pedestals, tree tying and sprinkler support products for the landscape professional.

- Heavy duty stainless steel for durability
- Weather and vandal resistant
- Prompt product availability
- Excellent sales and technical support

Call or visit our website to specify VIT products for your next project.



VIT Products, Inc.

Makers of the original StrongBox®

www.vitproducts.com

1.800.729.1314

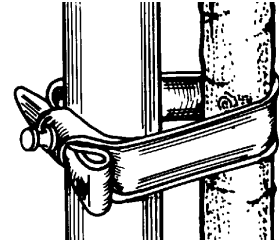




TREE & SPRINKLER SUPPORT AND PROTECTION PRODUCTS

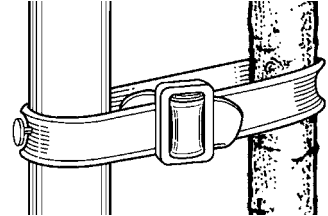
CINCH-TIE TREE SUPPORTS UV resistant Flexible Vinyl

CT24 24" Long. For Staking of a 5-15 Gallon Tree
CT32 32" Long. For Staking of a 24" Box Tree
Sold in Bundles of 100



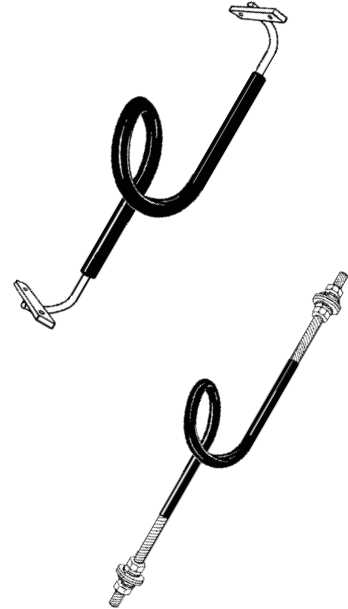
CINCH-BELT TREE SUPPORT UV resistant Flexible Vinyl

CB250 250' Roll For Staking Trees.
Comes with 70 Buckles Per Roll—Extra Buckles Are Available



TWIST-BRACE TREE SUPPORTS NAIL BRACKET STYLE 5/16" round metal rod with a 4 1/2" loop encased in UV resistant vinyl tubing

TB24 24" long, for staking 5-15 gallon to 24" box trees

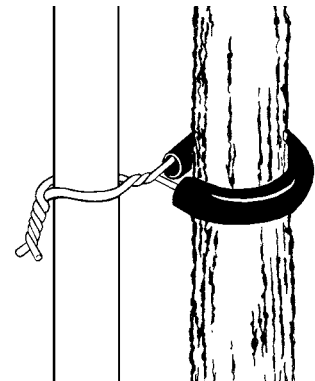


TWIST-BRACE TREE SUPPORTS BOLT STYLE 1/2" round metal rod with a 4 1/2" loop encased in UV resistant vinyl tubing

TB36 36" long, for staking 24"-36" box trees

HOSE & WIRE TREE SUPPORTS 12 Gauge galvanized wire encased in 10 1/2" long UV resistant vinyl tubing

HW27 27" long, for staking 5-15 gallon trees
HW36 36" long, for staking 24" box trees
Sold in Bundles of 100



12 Gauge galvanized wire encased in 16" long UV resistant vinyl tubing

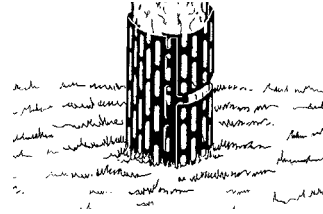
HW3616 36" long, for staking 24" box trees
HW4816 48" long, for staking 24" box trees
Sold in Bundles of 100



TREE & SPRINKLER SUPPORT AND PROTECTION PRODUCTS

TRIM GUARD TREE TRUNK PROTECTION

TG4 Protects trees from tree trimmer damage



PIPE STABILIZER

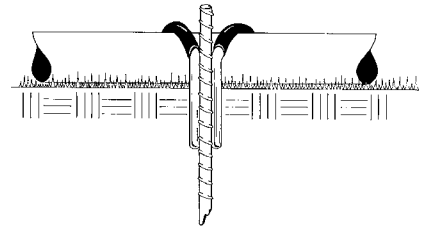
Use between the sprinkler heads to control movement of the pipe

PS12 12" Pipe Stabilizer

PS18 18" Pipe Stabilizer

PS24 24" Pipe Stabilizer

Sold in Bundles of 5



SPRINKLER STABILIZER

Use to secure pipe and sprinkler heads to prevent movement, vandalism and damage

SS18 18" Sprinkler Stabilizer

SS24 24" Sprinkler Stabilizer

Sold in Bundles of 5



STRAIGHT RISER STABILIZER

Use to secure risers to prevent movement, vandalism and damage. The steel shaft gives additional support and allows good penetration even in tough soils.

RS12 12" Straight Riser Stabilizer

RS18 18" Straight Riser Stabilizer

RS24 24" Straight Riser Stabilizer



SPRINKLER TIE

Use to secure the sprinkler to the Sprinkler Stabilizer

ST9 9" Sprinkler Tie for shrubs

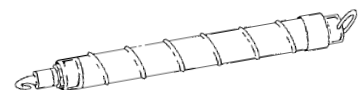
ST12 12" Sprinkler Tie for Pop-ups

Sold in Packs of 50



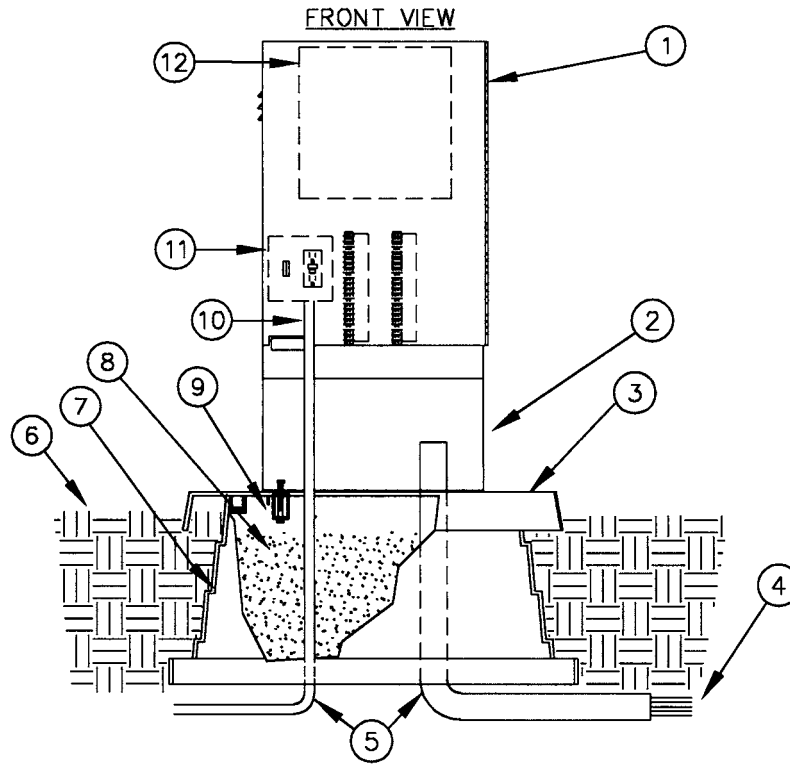
RATCHET TOOL FOR SPRINKLER TIES

RT Use to install Sprinkler Ties



QP SERIES

INSTALLATION DETAILS



- | | |
|--|--|
| 1. Controller Enclosure | 8. Fill inside base with pea gravel |
| 2. Optional Pedestal | 9. QuickPad fastening bracket (2) |
| 3. QuickPad- 3/16" min. thickness aluminum powder coated preformed pad | 10. 120 volt service conduit |
| 4. Direct burial control wires to control valves | 11. Controller sub-assembly (CSA) includes terminal strips with placards |
| 5. PVC long sweep ells | 12. Automatic controller |
| 6. Finish grade 2" below top of QuickPad | |
| 7. QuickPad support base | |

SPECIFICATIONS

The controller enclosure mounting pad assembly shall consist of a reinforced plastic support base, a three sixteenth inch thick 5052 H32 Marine Grade Aluminum mounting pad and stainless steel fastening brackets. The support base shall be

installed and compacted in earth allowing the top two inches of the support base to be exposed above the earth. The 5052 H32 Marine Grade Aluminum mounting pad shall be clamped to the support base with the stainless steel fastening brackets. The

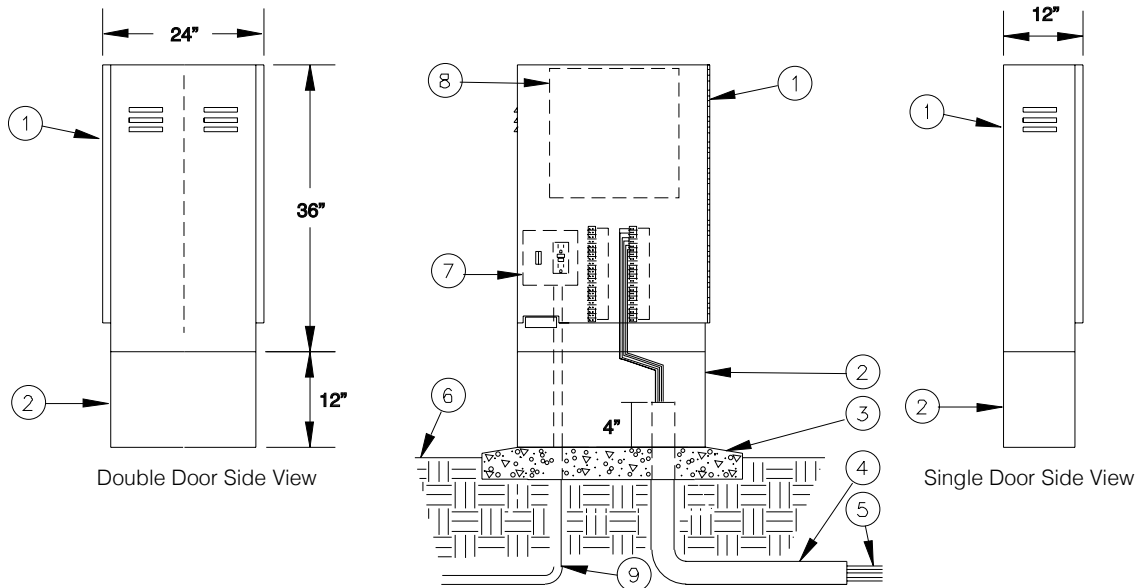
controller enclosure shall be bolted from the inside of the enclosure to the mounting pad, thus preventing outside access to the mounting bolts.

*QuickPads used for all Strong Box enclosures.

FRONT ENTRY ENCLOSURE

**MODELS: SB-18SS, SB-18DSS, SB-24SS,
SB-24DSS, SB36SS**

INSTALLATION DETAILS



- | | |
|--|---|
| <ol style="list-style-type: none"> 1. Controller enclosure 2. Optional pedestal 3. Poured concrete base—6" min. thickness—
extend concrete 6" beyond outside dimensions
of enclosure with 1/2% slope for drainage 4. PVC long sweep ell—size as required | <ol style="list-style-type: none"> 5. Direct burial control wires to control valves 6. Finish grade 7. Controller sub-assembly (CSA) includes GFI
& terminal strips with placards 8. Automatic controller 9. 120 volt service in conduit |
|--|---|

SPECIFICATIONS

The enclosure shall be of a vandal and weather resistant nature manufactured entirely of stainless steel. The main housing shall be louvered upper and lower body to allow for cross flow ventilation. Filter screens shall cover all louvers to deflect against water spray, insects and dust. A stainless steel backboard shall be provided for the purpose of mounting electronic and various other types of equipment. The backboard shall be mounted on four stainless steel bolts that will

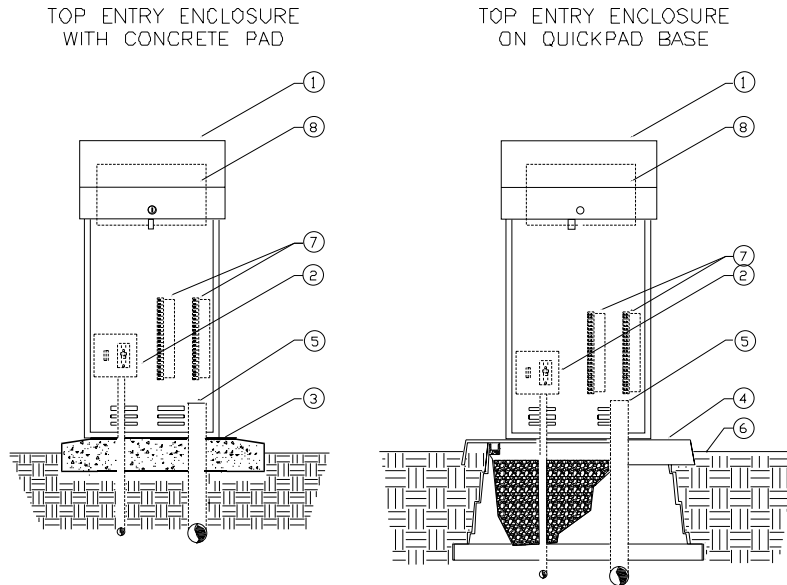
allow for removal of the backboard. The inside door area shall provide adequate storage for plans, operating instructions, and scheduling information. The enclosure door shall have a continuous stainless steel piano hinge, carriage bolted on one side, and a three point locking mechanism on the other side. The edge of the door shall be hemmed to eliminate any sharp edges. The handle controlling the locking mechanism shall be located at the base of the door

and be concealed within the surface of the door. A stainless steel cam style lock shall be mounted in the door and a provision for a padlock shall be included within the locking mechanism. The enclosure shall be manufactured with a continuous drainage channel which mates with a teardrop shaped, hollow center, water-tight, thermoplastic door seal. The above described product shall be a NEMA TYPE 3R Rainproof Enclosure as listed by Underwriter Laboratories, Inc.

TOP ENTRY ENCLOSURE

MODELS: SB-16SS, SB-22SS

INSTALLATION DETAILS



- | | |
|---|---|
| <ol style="list-style-type: none"> 1. Controller enclosure 2. 120 volt service in conduit 3. Poured concrete base—6" min. thickness—
extend concrete 6" beyond outside dimen-
sions of enclosure with 1/2% slope for drainage 4. QuickPad mounting base | <ol style="list-style-type: none"> 5. Direct burial control wires to control valves 6. Finish grade 7. Controller sub-assembly (CSA) includes GFI
& terminal strips with placards 8. Automatic controller |
|---|---|

SPECIFICATIONS

The enclosure shall be of a vandal and weather resistant nature manufactured entirely of stainless steel. The main housing door shall be louvered at the bottom and equipped with a tear drop shaped, hollow center thermo-plastic door seal. The entry lid shall be louvered on the back side to allow for cross flow ventilation. Filter screens shall cover all louvers to deflect against water spray, insects and dust. The top entry lid shall be assisted by two gas springs for easy

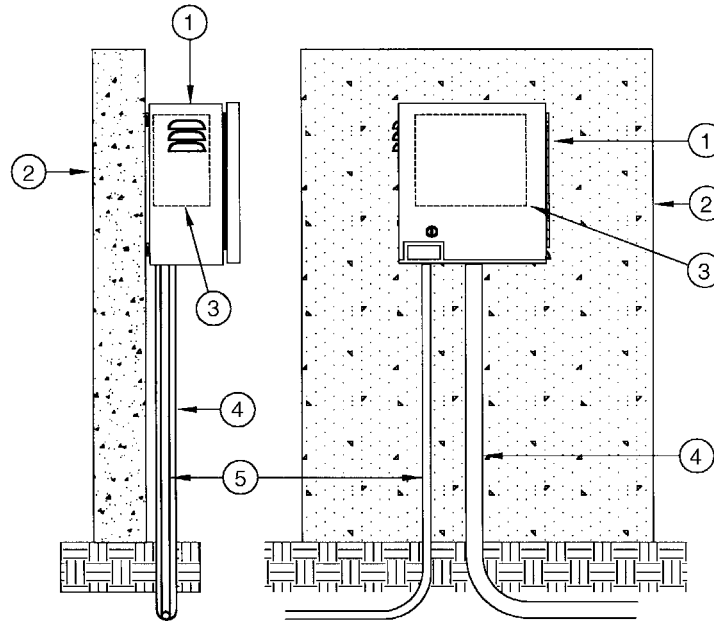
access. The edge of the lid shall be hemmed to eliminate any sharp edges. The top entry lid shall have a continuous stainless steel piano hinge, carriage bolted on the rear, and a three point locking mechanism on the front. A stainless steel cam style lock shall be mounted in the lid and a provision for a padlock shall be included within the locking mechanism. A removable stainless steel tray shall be provided for the purpose of mounting electronics and various other types of equipment. A removable stain-

less steel backboard shall be provided in the lower body and mounted on four stainless steel bolts. The inside door area shall provide adequate storage for plans, operating instructions, and scheduling information. The above described product shall be a NEMA TYPE 3R Rainproof Enclosure as listed by Underwriter Laboratories, Inc.

WALL MOUNT ENCLOSURE

**MODELS: SB-16SSW, SB-18SSW,
SB-24SSW, SB-36SSW**

INSTALLATION DETAILS



1. Controller enclosure
2. Wall
3. Automatic controller
4. 24 volt conduit
5. 120 volt conduit

NOTE: Install controller enclosure to wall as per manufacturer's installation instructions

SPECIFICATIONS

The enclosure shall be of a vandal and weather resistant nature manufactured entirely of stainless steel. The main housing shall be louvered upper and lower body to allow for cross flow ventilation. Filter screens shall cover all louvers to deflect against water spray, insects and dust. A stainless steel backboard shall be provided for the purpose of mounting electronic and various other types of equipment. The backboard shall be mounted on four stainless steel bolts that will allow for removal of the back-

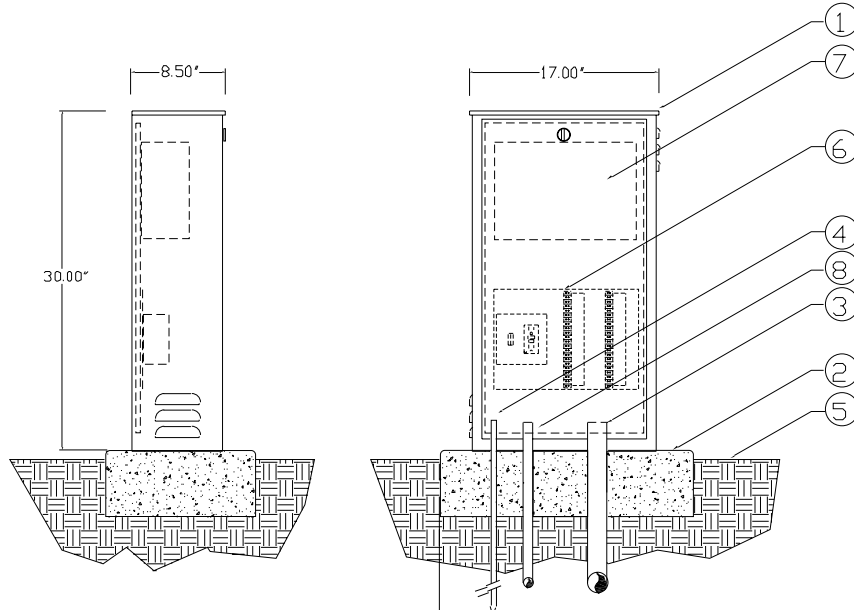
board. The inside door area shall provide adequate storage for plans, operating instructions and scheduling information. The enclosure door shall have a continuous stainless steel piano hinge, carriage bolted on one side, and a two-point locking mechanism on the other side. The edge of the door shall be hemmed to eliminate any sharp edges. The handle controlling the locking mechanism shall be located at the base of the door and be concealed within the surface of the door. A stainless steel

cam style lock shall be mounted in the door and the provision for a padlock shall be included within the locking mechanism. The enclosure shall be manufactured with a continuous drainage channel which mates with a tear-drop shaped, hollow center, water-tight, thermoplastic door seal. The above described product shall be a NEMA TYPE 3R Rainproof Enclosure as listed by Underwriter Laboratories, Inc.

LIGHT DUTY CABINET

MODEL: LD-16S

INSTALLATION DETAILS



- | | |
|---|--|
| <ol style="list-style-type: none"> 1. Controller cabinet 2. Poured concrete base – 6"Min. thickness – extend 6" beyond outside dimensions of enclosure with 1/2% slope for drainage 3. PVC long sweep ell – use one sweep ell per controller | <ol style="list-style-type: none"> 4. Ground rod 5. Finish grade 6. Controller sub-assembly (CSA) includes GFI and terminal strips with placards 7. Automatic controller 8. 120-volt service in conduit |
|---|--|

SPECIFICATIONS

The cabinet shall be of a weather resistant nature manufactured entirely of stainless steel. The main housing shall be louvered upper and lower body to allow for cross flow ventilation. Filter screens shall cover all louvers to deflect against water spray, insects and dust. A stainless steel backboard shall be provided

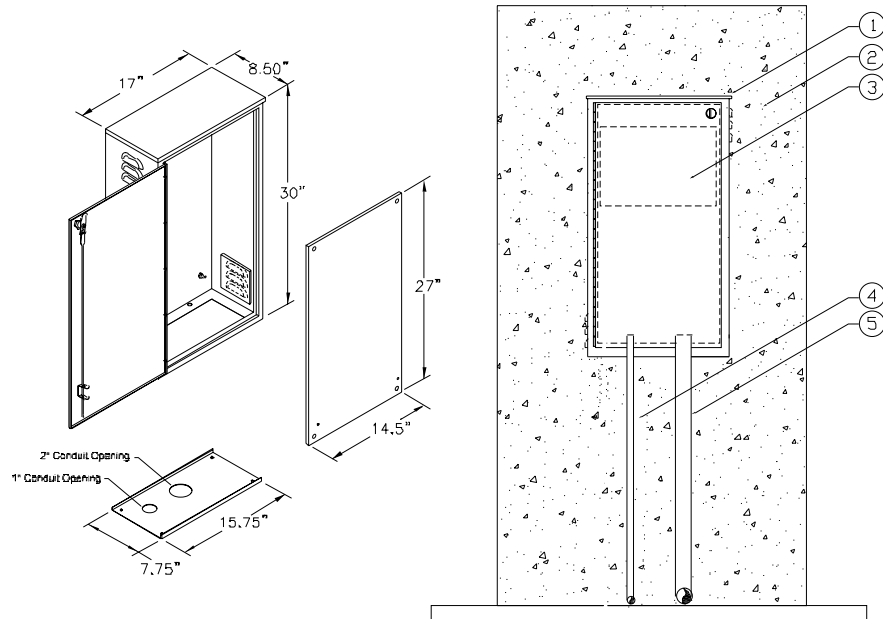
for the purpose of mounting electronic and various other types of equipment. The backboard shall be mounted on four stainless steel bolts that will allow for removal of the backboard. A stainless steel cam style lock shall be mounted in the door. The cabinet shall be equipped with a teardrop shaped, hollow center,

watertight, thermoplastic door seal. The above described product shall be a NEMA TYPE 3R Rainproof Enclosure as listed by Underwriter Laboratories, Inc.

LIGHT DUTY CABINET

MODEL: LD-16SW

INSTALLATION DETAILS



- 1. Controller cabinet
- 2. Wall
- 3. Automatic controller
- 4. 24-volt conduit
- 5. 120-volt conduit

Note:
Install controller cabinet to a wall as per manufacturer's installation instructions.

SPECIFICATIONS

The cabinet shall be of a weather resistant nature manufactured entirely of stainless steel. The main housing shall be louvered to deflect against water spray, insects and dust. A stainless steel backboard shall be provided for the purpose of mounting electronic and various other types of equipment. The backboard shall be mounted on four

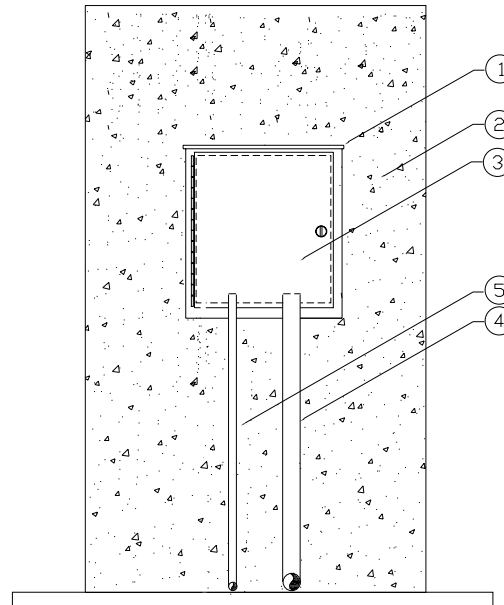
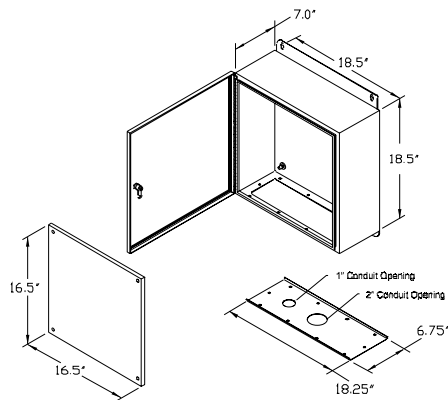
stainless steel bolts that will allow for removal of the backboard. The cabinet door shall have a continuous stainless steel piano hinge on one side with a stainless steel cam style lock mounted in the door. The cabinet shall be equipped with a teardrop, hollow center, watertight, thermoplastic door seal. The bottom of the cabinet shall be prepunched

for electrical conduit. The above described product shall be a NEMA TYPE 3R Rainproof Enclosure as listed by Underwriter Laboratories, Inc.

LIGHT DUTY CABINET

MODEL: LD-18SW

INSTALLATION DETAILS



1. Controller cabinet
2. Wall
3. Automatic controller
4. 24-volt conduit
5. 120-volt conduit

Note:

Install controller cabinet to a wall as per manufacturer's installation instructions.

SPECIFICATIONS

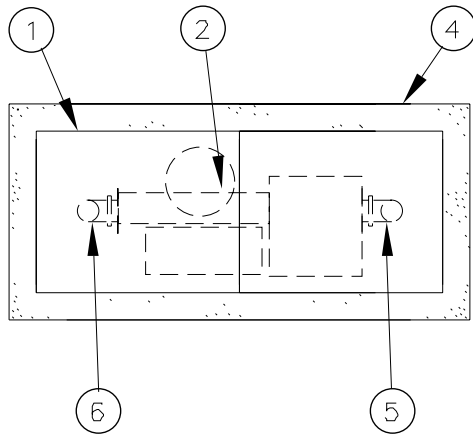
The cabinet shall be of a weather resistant nature manufactured entirely of stainless steel. A stainless steel backboard shall be provided for the purpose of mounting electronic and various types of equipment. The backboard shall be mounted on four stainless steel bolts that will allow for removal of the backboard. The cabinet door shall have a

continuous stainless steel piano hinge on one side with a stainless steel cam style lock mounted in the door. The cabinet shall be manufactured with a continuous drainage channel which mates with a teardrop shaped, hollow center, watertight, thermoplastic door seal. The bottom of the cabinet shall be prepunched for electrical conduit. The above

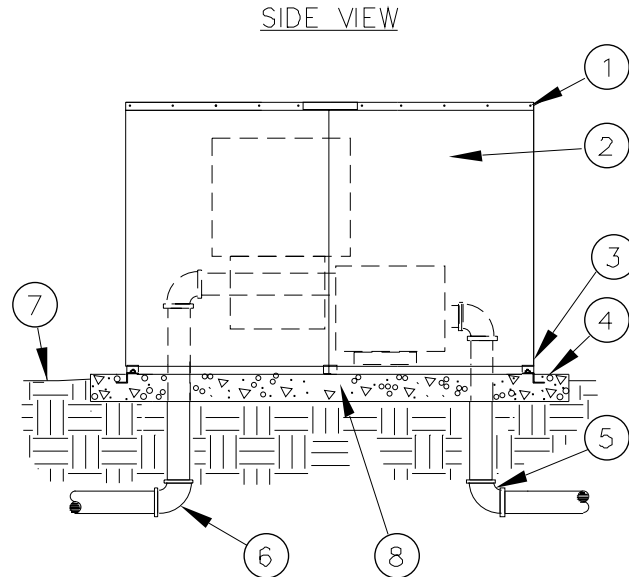
described product shall be a NEMA TYPE 3R Rainproof Enclosure as listed by Underwriter Laboratories, Inc.

**MODELS PE-40AL
& PE-60AL**

INSTALLATION DETAILS



TOP VIEW



SIDE VIEW

- | | |
|--|--------------------------------|
| 1. Aluminum pump enclosure | 5. Water service inlet piping |
| 2. Pump/Filter/Controls+ | 6. Water service outlet piping |
| 3. Anchor Rake brace | 7. Finish grade |
| 4. Poured concrete base—6" min. thickness—extended 4" beyond outside dimensions of enclosure | 8. Enclosure Foot |

SPECIFICATIONS

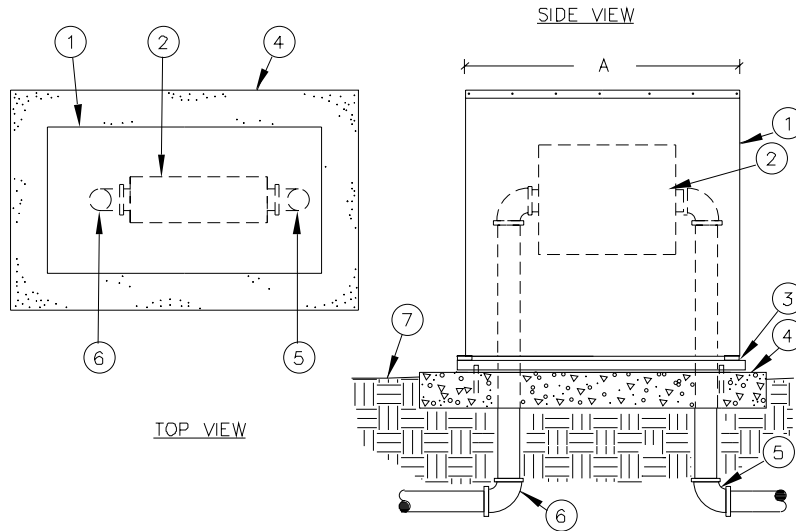
The pump enclosure shall be of a vandal and weather resistant nature manufactured entirely of marine grade aluminum alloy 5052-H32, with a wall thickness of one eighth inch. The mounting base shall be manufactured entirely of stainless steel. The main housing shall be of solid sheet construction punched on the ends with louvers for ventilation. The enclosure shall be a center split design, having mounting lips on each end. The mounting base shall be submerged into the concrete a mini-

mum of two inches, positioning the enclosure two and one half inches above the concrete for drainage purposes. The locking mechanism shall be of the full release type which allows for complete removal of the enclosure from its mounting base without the use of tools. The locking mechanism shall be a Stainless Steel Cross Bar style and provide for a padlock.

BACKFLOW ENCLOSURE

**MODELS: SBBC-22AL, SBBC-30AL,
SBBC-45AL**

INSTALLATION DETAILS



Dimensions: 16"W x 28"H x "A" Length

- | | |
|--|--------------------------------|
| 1. Aluminum Backflow Enclosure | 5. Water Service Inlet Piping |
| 2. Backflow Preventer | 6. Water Service Outlet Piping |
| 3. Framed Mounting Base – powder coated polymer with anchors inset for enclosure and anchor bolts for concrete | 7. Finish Grade |
| 4. Poured Concrete Base – 6" minimum thickness – extend 4" beyond outside dimensions of enclosure | |

SPECIFICATIONS

The backflow enclosure shall be of a vandal resistant nature manufactured entirely of marine grade aluminum alloy 5052-H32, with a wall thickness of one eighth inch. The mounting base plate shall be manufactured of stainless steel and powder coated. The main housing shall be of solid sheet construction with stainless carriage bolts used for assembling enclosure sides top

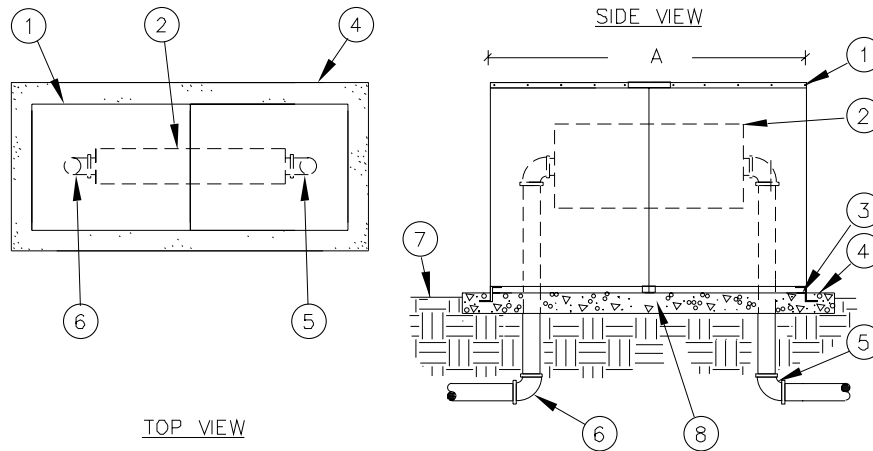
and ends. The enclosure shall have a drop down door with stainless hardware hidden beneath door frame. The enclosure body shall lift open, pivoting from the back edge mounted to base also with hidden stainless hardware. Enclosure shall stay secured to mounting base plate in open and closed positions. Mounting Base shall have concrete anchor bolts to submerge

into concrete leaving mounting base flush on concrete surface. The enclosure door shall have a recessed handle and provide a concealed hasp for a padlock.

BACKFLOW ENCLOSURE

**MODELS: SBBC-40ALHP, SBBC-40WALHP,
SBBC-60ALHP, SBBC-75ALHP,
SBBC-90ALHP**

INSTALLATION DETAILS



Dimensions: 24"W x 39"H x "A" Length

1. Aluminum Backflow Enclosure
2. Backflow Preventer
3. Anchor Rake Brace
4. Poured Concrete Base – 6" minimum thickness – extend 4" beyond outside dimensions of enclosure

5. Water Service Inlet Piping
6. Water Service Outlet Piping
7. Finish Grade
8. Enclosure Foot

SPECIFICATIONS

The backflow enclosure shall be of a vandal and weather resistant nature manufactured entirely of marine grade aluminum alloy 5052-H32, with a wall thickness of one eighth inch. The mounting base shall be manufactured entirely of stainless steel. The main housing shall be of solid sheet construction punched on the sides with a rectangular pat-

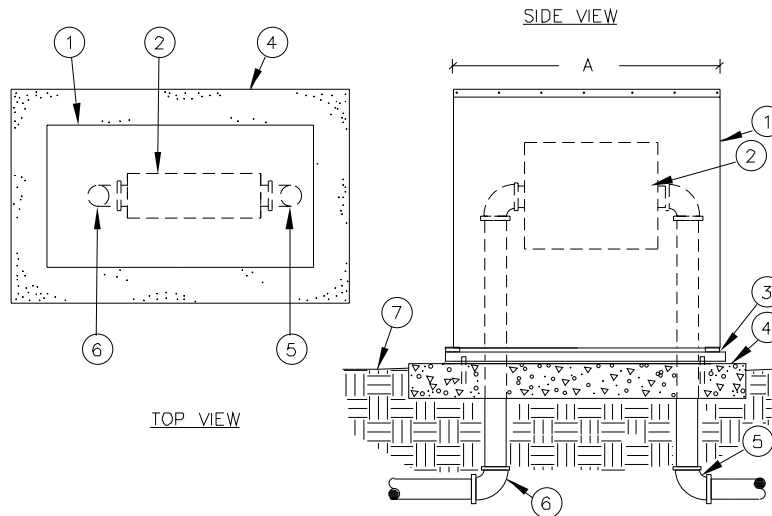
tern for viewing backflow operation. The enclosure shall be a center split design, having mounting lips on each end. The mounting base shall be submerged into the concrete a minimum of two inches, positioning the enclosure one and one half inches above the concrete for drainage purposes. The locking mechanism shall be of the full

release type which allows for complete removal of the enclosure from its mounting base without the use of tools. The locking mechanism shall be a Stainless Steel Cross Bar style and provide for a padlock.

BACKFLOW ENCLOSURE

MODELS: SBBC-22ALI, SBBC-30ALI, SBBC-45ALI

INSTALLATION DETAILS



Dimensions: 16"W x 28"H x "A" Length

- | | |
|--|--------------------------------|
| 1. Aluminum Backflow Enclosure | 5. Water Service Inlet Piping |
| 2. Backflow Preventer | 6. Water Service Outlet Piping |
| 3. Framed Mounting Base – powder coated polymer with anchors inset for enclosure and anchor bolts for concrete | 7. Finish Grade |
| 4. Poured Concrete Base – 6" minimum thickness – extend 4" beyond outside dimensions of enclosure | |

SPECIFICATIONS

The backflow enclosure shall be of a vandal resistant nature manufactured entirely of marine grade aluminum alloy 5052-H32, with a wall thickness of one eighth inch. The mounting base plate shall be manufactured of stainless steel and powder coated. The main housing shall be of solid sheet construction with stainless carriage bolts used for assembling enclosure sides top and ends. The enclosure shall have a drop down door with stainless hardware hidden

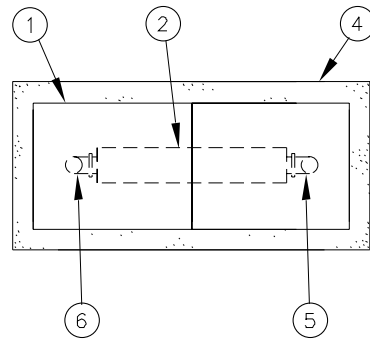
beneath door frame. The enclosure body shall lift open, pivoting from the back edge mounted to base also with hidden stainless hardware. Enclosure shall stay secured to mounting base plate in open and closed positions. Mounting Base shall have concrete anchor bolts to submerge into concrete leaving mounting base flush on concrete surface. The enclosure door shall have a recessed handle and provide a concealed hasp for a padlock. Insulated Polar Beariers shall be

used to protect backflow devices from freezing temperatures inside Strongbox Insulated Aluminum Enclosures. Polar Beariers protect to a R19 insulation rating using Radiant Barrier Foil (RBF) inserted between acrylic polyester and air bubble pack. These layers forming an insulated bag shall be impervious to moisture.

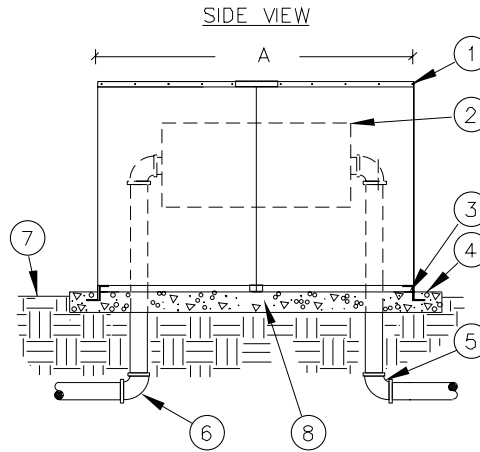
INSTALLATION DETAILS

HIGH PROFILE BACKFLOW ENCLOSURE

MODELS: SBBC-40ALHPI, SBBC-40WALHPI, SBBC-60ALHPI, SBBC-75ALHPI, SBBC-90ALHPI



TOP VIEW



Dimensions: 24"W x 39"H x "A" Length

1. Aluminum Backflow Enclosure
2. Backflow Preventer
3. Anchor Rake Brace
4. Poured Concrete Base – 6" minimum thickness – extend 4" beyond outside dimensions of enclosure

5. Water Service Inlet Piping
6. Water Service Outlet Piping
7. Finish Grade
8. Enclosure Foot

SPECIFICATIONS

The backflow enclosure shall be of a vandal and weather resistant nature manufactured entirely of marine grade aluminum alloy 5052-H32, with a wall thickness of one eighth inch. The mounting base shall be manufactured entirely of stainless steel. The main housing shall be of solid sheet construction with a R-19 Polar Bearier insulation cover. A flexible rubber insert formed into

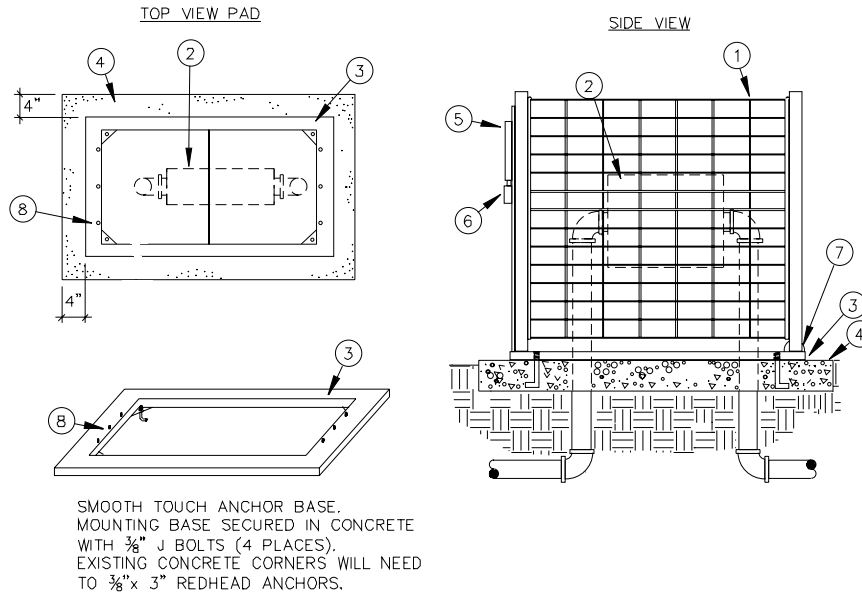
a loop to provide dead air space shall be installed along the bottom. The enclosure shall be a center split design, having mounting lips on each end. The mounting base shall be submerged into the concrete a minimum of two inches, positioning the enclosure one and one half inches above the concrete for drainage purposes. The locking mechanism shall be of the full

release type which allows for complete removal of the enclosure from its mounting base without the use of tools. The locking mechanism shall be a Stainless Steel Cross Bar style and provide for a padlock.

BACKFLOW COVER

**MODELS: SBBC-22SS, SBBC-30SS,
SBBC-45SS**

INSTALLATION DETAILS



1. Smooth Touch Backflow Cover
2. Backflow Preventer
3. Anchor Base Mount
4. Poured Concrete Base – 6" minimum thickness – extend 4" beyond outside dimensions of enclosure
5. Enclosure Locking Swing Door (door mounted to anchor base)
6. Padlock Protective Cover
7. Enclosure Swivel Point – attached to mounting base. Enclosure secured to base (6 places)
8. Enclosure Mounting Base Studs. 3/8" x 3/4"

SPECIFICATIONS

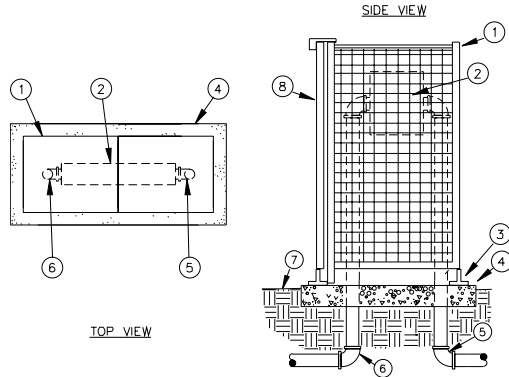
The Backflow cage enclosure shall be of a vandal resistant nature manufactured of formed stainless steel tubing and rod, coated with a performance polymer alloy coating. Special powder coated colors available as per specified by city. All locking and mounting hardware shall be manufactured entirely of stainless steel. The frame of the enclosure shall be constructed of one and one quarter inch tubing as a minimum, including the drop down door which inserts into the open end of the frame. The top, sides and end panels shall be con-

structed of rod forming a one inch by two and a half inch rectangular pattern as a maximum opening. The vertical rods shall be a minimum of three sixteenths inch thick and the horizontal rods shall be a minimum of one eighth. These rods shall be welded together forming grids. These grids shall be welded into the tube frames half inch welds not more than four inches apart. The enclosure door and enclosure shall be cleaned and coated with not less than three mils powder coat.

Each enclosure shall have a mounting pad which shall be used as installation frame. Enclosure hardware on the mounting frame shall be stainless steel. Mounting frame shall be installed using four each, 3/8" "L" anchor bolts submerged in concrete a minimum two inches. The backflow cage enclosure shall remain bolted to frame in open and closed positions. Enclosure and door shall close with concealed locking tab with seven sixteenths hole to accept padlock.

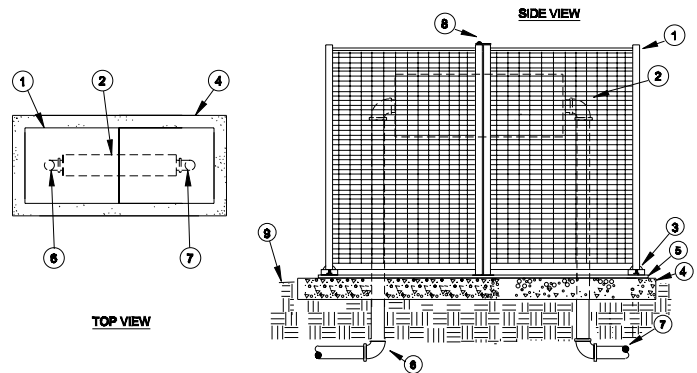
BACKFLOW COVER
**MODELS: SBBC-20SS, SBBC-40SS,
SBBC-75SS**

INSTALLATION DETAILS



SBBC-20SS

1. Smooth Touch Backflow Cover
2. Backflow Preventer
3. Anchor Plates (typical)
4. Poured Concrete Base – 6" minimum thickness – extend 4" beyond outside dimensions of enclosure
5. Water Service Inlet Piping
6. Water Service Outlet Piping
7. Finish Grade
8. Removable Locking End



SBBC-40SS, SBBC-75SS

1. Smooth Touch Backflow Cover
2. Backflow Preventer
3. Secured Swivel Mounting Plates
4. Poured Concrete Base – 6" minimum thickness – extend 4" beyond outside dimensions of enclosure
5. SBBC Mounting Base – fastened or anchor bolted to concrete
6. Water Service Outlet Piping
7. Water Service Inlet Piping
8. Padlock Locking Hasp
9. Finish Grade

SPECIFICATIONS

The backflow enclosure shall be of a vandal resistant nature manufactured of formed stainless steel tubing and rod to prevent handling injury. The locking mechanism and mounting hardware shall be manufactured entirely of stainless steel. The frame of the enclosure shall be constructed of one and one quarter inch tubing. The top sides, and end panels shall be

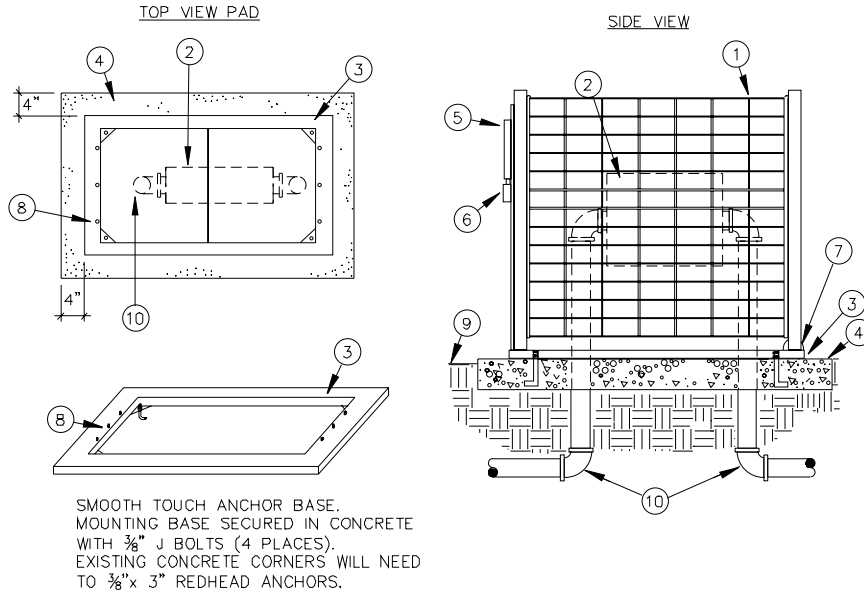
constructed of rod welded together forming a one by two inch rectangular pattern. The vertical rod shall be three sixteenths and horizontal rod shall be one eighth inch thick. The SBBC-20SS shall have inner door on one end to provide entry with covered padlock at top of door for security. The SBBC-40SS and SBBC-75SS shall be clam shell design with padlock hasp on to

where two pieces join in the closed position. Enclosure ends shall have a mounting lip on each side which attaches to mounting which is submerged into concrete. Enclosure shall be positioned one and one half inches above concrete to allow for drainage. Vandal proof brackets shall be installed during installation.

BACKFLOW COVER

**MODELS: SBBC-22CR, SBBC-30CR,
SBBC-45CR**

INSTALLATION DETAILS



- | | |
|---|--|
| <ol style="list-style-type: none"> 1. Smooth Touch Backflow Cover 2. Backflow Preventer 3. Anchor Base Mount 4. Poured Concrete Base – 6” minimum thickness – extend 4” beyond outside dimensions of enclosure 5. Enclosure Locking Swing Door (door mounted to anchor base) | <ol style="list-style-type: none"> 6. Padlock Protective Cover 7. Enclosure Swivel Point – attached to mounting base. Enclosure secured to base (6 places) 8. Enclosure Mounting Base Studes 3/8” x 3/4” 9. Finish Grade 10. Water Service Inlet Piping |
|---|--|

SPECIFICATIONS

The Backflow cage enclosure shall be of a vandal resistant nature manufactured of formed cold rolled steel tubing and rod, coated with a performance polymer alloy coating. Special powder coated colors available as per specified by city. All locking and mounting hardware shall be manufactured entirely of stainless steel. The frame of the enclosure shall be constructed of one and one quarter inch tubing as a minimum, including the drop down door which inserts into the open end of the frame. The top, sides and end panels shall be constructed of rod forming a one

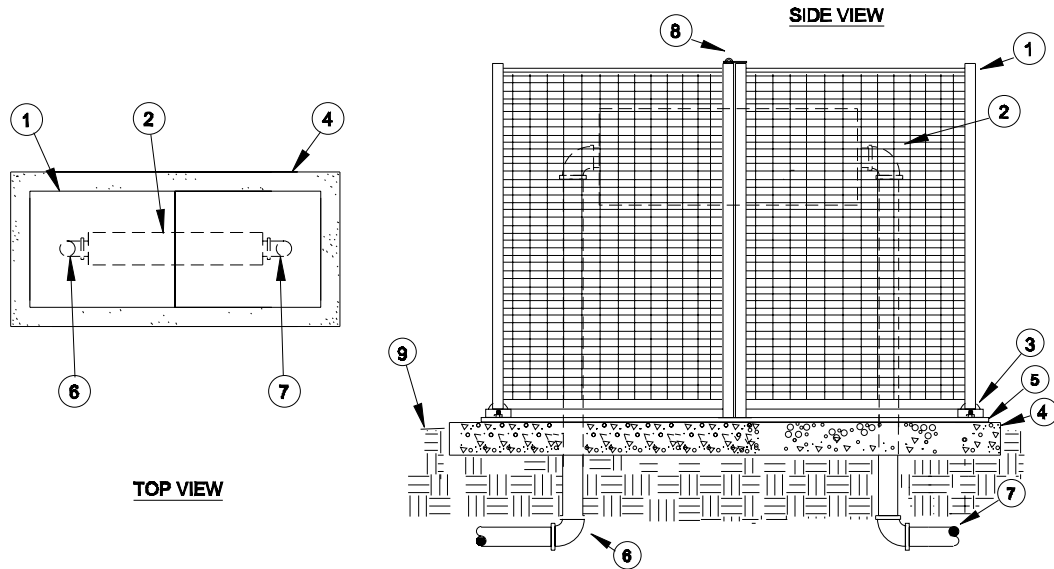
inch by two and a half inch rectangular pattern as a maximum opening. The vertical rods shall be a minimum of three sixteenths inch thick and the horizontal rods shall be a minimum of one eighth. These rods shall be welded together forming grids. These grids shall be welded into the tube frames half inch welds not more than four inches apart. The enclosure door and enclosure shall be cleaned and coated with not less than three mils powder coat. Each enclosure shall have a mounting pad which shall be

used as installation frame. Enclosure hardware on the mounting frame shall be stainless steel. Mounting frame shall be installed using four each, 3/8” “L” anchor bolts submerged in concrete a minimum two inches. The backflow cage enclosure shall remain bolted to frame in open and closed positions. Enclosure and door shall close with concealed locking tab with seven sixteenths hole to accept padlock.

BACKFLOW COVER

MODELS: SBBC-40CR, SBBC-75CR

INSTALLATION DETAILS



- | | |
|--|--|
| <ol style="list-style-type: none"> 1. Smooth Touch Backflow Cover 2. Backflow Preventer 3. Secured Swivel Mounting Plates 4. Poured Concrete Base – 6” minimum thickness – extend 4” beyond outside dimensions of enclosure 5. SBBC Mounting Base – fastened or anchor bolted to concrete | <ol style="list-style-type: none"> 6. Water Service Outlet Piping 7. Water Service Inlet Piping 8. Padlock Locking Hasp 9. Finish Grade <p>Note: Enclosure shall swivel outward to expose backflow. Backflow cover is secured to base and tools must be used to remove completely.</p> |
|--|--|

SPECIFICATIONS

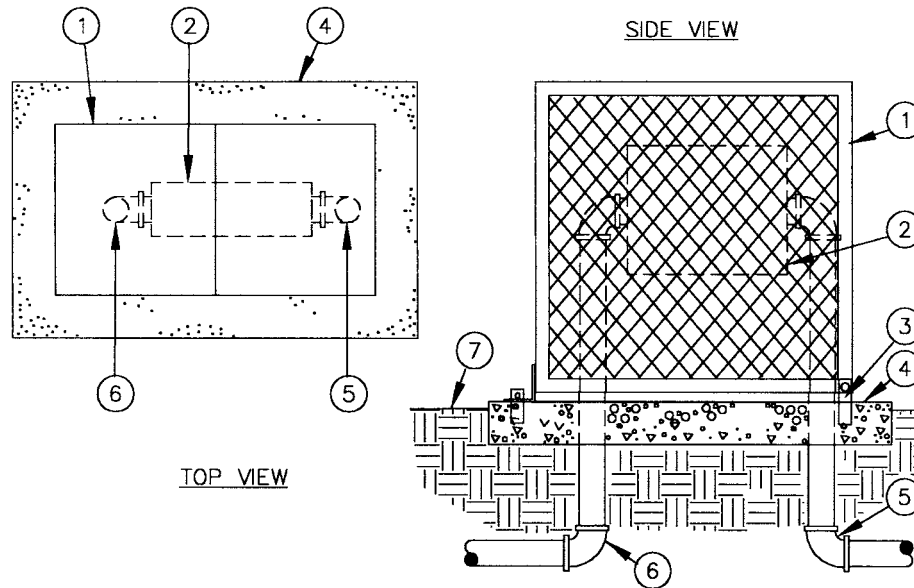
The backflow enclosure shall be of a vandal resistant nature manufactured of formed cold rolled steel tubing and rod to prevent handling injury. The locking mechanism and mounting hardware shall be manufactured entirely of stainless steel. The frame of the enclosure shall be constructed of one and one quarter inch tubing. The top sides, and end panels shall be

constructed of rod welded together forming a one by two inch rectangular pattern. The vertical rod shall be three sixteenths and horizontal rod shall be one eighth inch thick. The SBBC-40CR and SBBC-75CR shall be clam shell design with padlock hasp on to where two pieces join in the closed position. Enclosure ends shall have a mounting lip on each side which attaches to

mounting which is submerged into concrete. Enclosure shall be positioned one and one half inches above concrete to allow for drainage. Vandal proof brackets shall be installed during installation. The cover shall be covered with a zinc base powder coat then powder coated with a polyester TGIC coating having a minimum thickness of 2.5 mils.

BACKFLOW COVER
MODELS: BC-30CR, BC-45CR,

INSTALLATION DETAILS



- | | |
|--|------------------------------|
| 1. Expanded Metal Backflow Enclosure | 5. Water Service Inlet Pipe |
| 2. Backflow Preventer | 6. Water Service Outlet Pipe |
| 3. Anchor Bracket | 7. Finish Grade |
| 4. Poured Concrete Base – 6” minimum thickness –
extend 4” beyond outside dimensions of enclosure | |

SPECIFICATIONS

The backflow cover shall be of a vandal resistant nature manufactured of formed and expanded metal, coated with a performance polymer alloy coating to prevent handling injury. The cover shall have a hinge on one end and a locking tab on the other end. The hinge shall be attached to mounting brackets with carriage bolts to allow removal of the cover from the

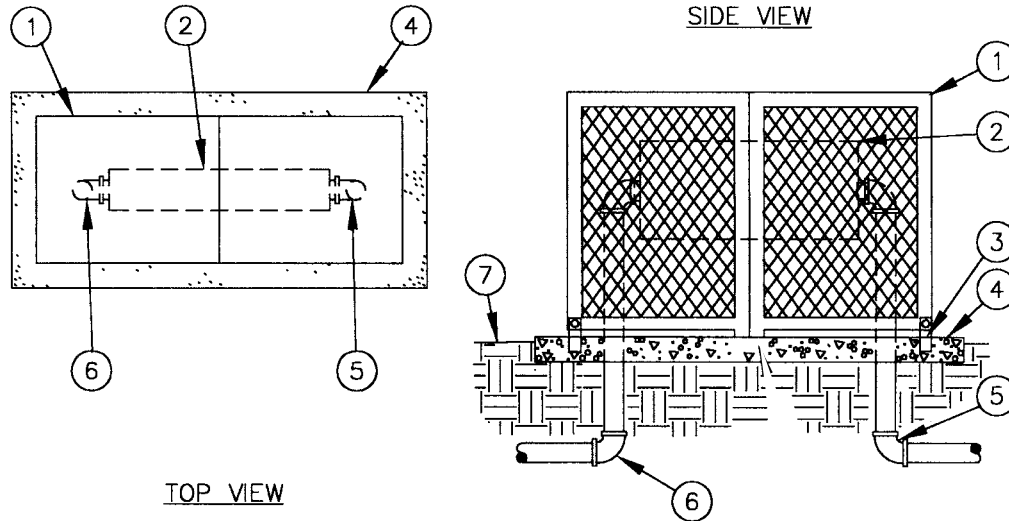
hinges. The mounting brackets shall be submerged into the concrete a minimum of two inches, positioning the cover one and one half inches above the concrete. The locking tab shall accept a padlock. Handles shall be attached to the sides to facilitate raising and lowering of the cover. The cover shall be covered with a zinc base powder coat then

powder coated with a polyester TGIC coating having a minimum thickness of 2.5 mils.

HIGH PROFILE BACKFLOW COVER

MODELS: BC-75CR

INSTALLATION DETAILS



- | | |
|---|------------------------------|
| 1. Expanded Metal Backflow Enclosure | 5. Water Service Inlet Pipe |
| 2. Backflow Preventer | 6. Water Service Outlet Pipe |
| 3. Anchor Bracket | 7. Finish Grade |
| 4. Poured Concrete Base – 6" minimum thickness – extend 4" beyond outside dimensions of enclosure | |

SPECIFICATIONS

The backflow cover shall be of a vandal resistant nature manufactured of formed and expanded metal, coated with a performance polymer alloy coating to prevent handling injury. The cover shall be in two sections with a hinge on each end and a locking tab at the center. The hinges shall be attached to mounting brackets with carriage bolts to allow removal of the

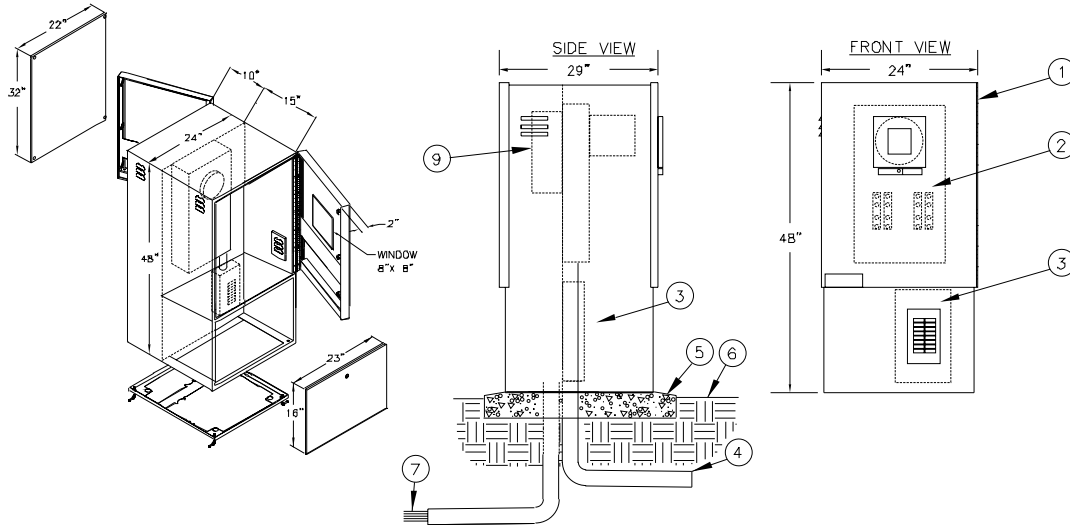
cover from the hinges. The mounting brackets shall be submerged into the concrete a minimum of two inches, positioning the cover one and one half inches above the concrete. The locking tab shall accept a padlock. Handles shall be attached to the sides to facilitate raising and lowering of the cover. The cover shall be covered with a zinc base powder coat then

powder coated with a polyester TGIC coating having a minimum thickness of 2.5 mils.

METERED ENCLOSURE

MODELS: SB-24SS/120V, SB-24SS/240V

INSTALLATION DETAILS



- | | |
|---|--|
| 1. Metered controller enclosure | 6. Finish grade |
| 2. Meter socket with test blocks | 7. Direct burial control wires to control valves |
| 3. Load center | 8. PVC long sweep ell—use one sweep ell per controller |
| 4. Conduit (not supplied) for line feed into meter | 9. Automatic controller |
| 5. Poured concrete base—6" min. thickness—extend 6" beyond outside dimensions of enclosure with 1/2% slope for drainage | |

SPECIFICATIONS

The metered controller enclosure shall be a double door design positioned front and back, vandal and weather resistant, manufactured entirely of stainless steel. The front section shall house a UL listed, E.U.S.E.R.C. approved 100 Amp rated commercial meter socket with test block bypass provision. The back section shall be louvered upper and lower body to allow for cross flow ventilation. Filter screens shall cover all louvers to deflect against water spray, insects and dust. The back section shall have a

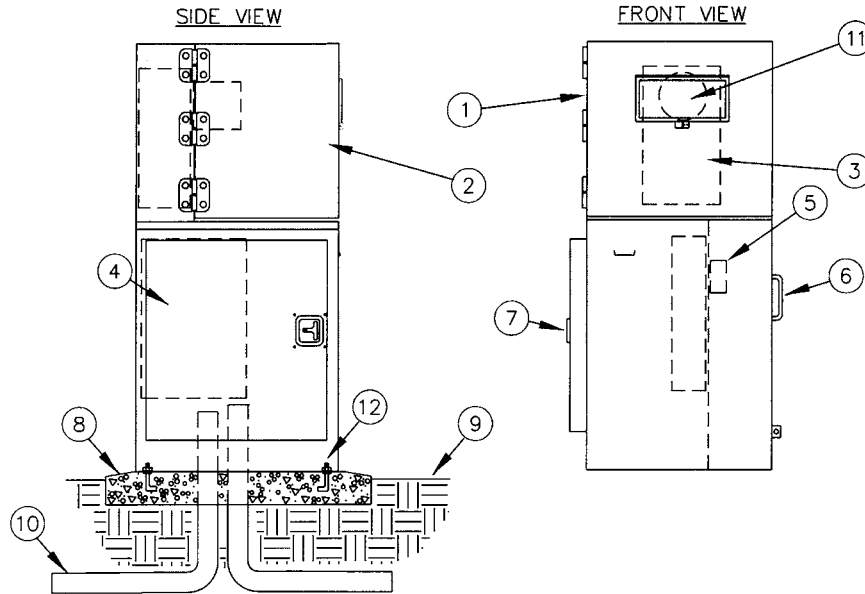
stainless steel backboard provided for the purpose of mounting a controller. The backboard shall be mounted on four stainless steel bolts that will allow for removal of the backboard. The inside door area shall provide adequate storage for plans, operating instructions and scheduling information. The enclosure shall have continuous stainless steel piano hinges on one side of each door. The edge of the door shall be hemmed to eliminate any sharp edges. The handles controlling the locking

mechanisms shall be located at the base of the doors and be concealed within the surface of the doors. The provision for padlocks shall be included within the locking mechanisms. The enclosure shall be manufactured with a continuous drainage channel which mates with a tear-drop shaped, hollow center, water-tight, thermoplastic door seal. The above described product shall be a NEMA TYPE 3R Rainproof enclosure as listed by Underwriter Laboratories, Inc.

100 AMP

MODELS: MPS-A16, MPS-B16, MPS-D18

INSTALLATION DETAILS



- | | |
|--|---|
| <ol style="list-style-type: none"> 1. StrongBox metered enclosure, stainless steel, NEMA TYPE 3R—18" x 20" x 52" # MPS-XXX-XX 2. Hinged removable lid 3. Meter socket with test blocks 4. Load center 5. Landing lugs 6. Landing lug compartment 7. Load center compartment | <ol style="list-style-type: none"> 8. Poured concrete base—6" min. thickness—extend 6" beyond outside dimensions of enclosure with 1/2% slope for drainage 9. Finish grade 10. Underground service 11. Meter viewing window 5" x 10" 12. 3/8" stainless anchor bolts |
|--|---|

SPECIFICATIONS

The meter pedestal shall be made entirely of stainless steel, #4 brushed finish, utilizing all welded construction providing superior vandal and weather resistance. The top shall be a side swing style that locks out for safety. The side swing top shall fully expose the meter compartment for ease of setting the meter and access to the test blocks. The top shall be supported by 3 large all stainless steel hinges with 1/4" pins that are "lift off" style allowing the top to be completely removed. A replaceable 5" x 10", 3/16" thick Lexan viewing window shall be provided. The meter socket test block compartment shall be equipped with a watershed drainage channel and

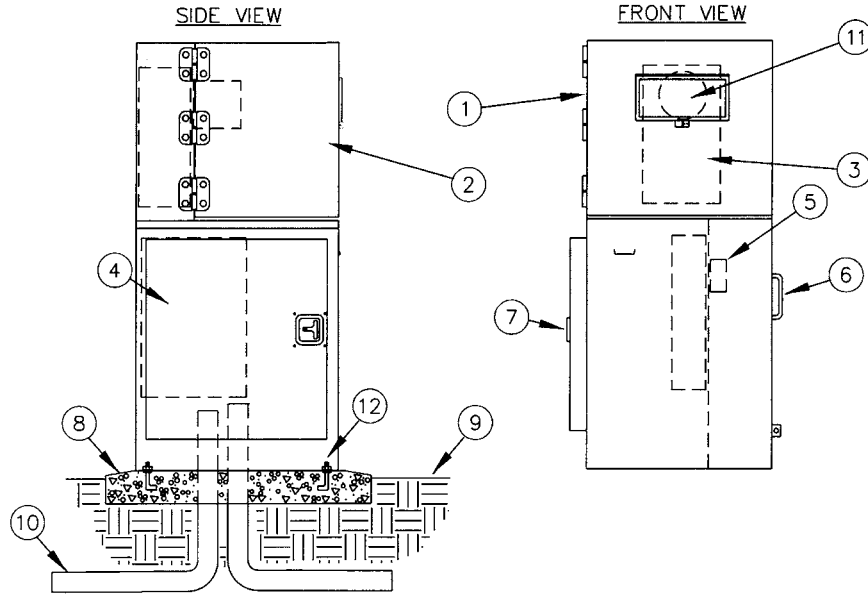
overlapping equipment panels that ensures a watertight design. Within the top meter compartment the meter socket test block assembly shall be installed. The top shall be completely padlockable and accept a utility seal. The utility compartment shall be located on the right side and house the landing lugs. A cover panel that can accommodate a padlock and utility seal shall be provided. The left side of the pedestal shall house the 20" x 30" customer electrical compartment. This compartment shall be outfitted with a fully welded and hemmed stainless steel gasketed door that closes against a watershed drainage channel. The door design and all stainless steel

T handle latching system shall ensure water tightness and vandal resistance. The interior portion of this compartment shall house up to a 20 circuit capable load center with a removable protective panel. A stainless steel electrical backboard shall be provided for ease of wiring and grounding of electrical components. The pedestal assembly shall be a single phase or three phase, 120V/240V or 480V rated unit. The enclosure shall be rainproof NEMA TYPE 3R and the assembly shall be listed by Underwriter Laboratories, Inc. for service entrance equipment.

200 AMP

MODELS: MPS-C20, MPS-E24

INSTALLATION DETAILS



- 1. StrongBox metered enclosure, stainless steel, NEMA TYPE 3R—18" x 20" x 52" # MPS-XXX-XX
- 2. Hinged removable lid
- 3. Meter socket with test blocks
- 4. Load center
- 5. Landing lugs
- 6. Landing lug compartment
- 7. Load center compartment

- 8. Poured concrete base—6" min. thickness—extend 6" beyond outside dimensions of enclosure with 1/2% slope for drainage
- 9. Finish grade
- 10. Underground service
- 11. Meter viewing window 5" x 10"
- 12. 3/8" stainless anchor bolts

SPECIFICATIONS

The meter pedestal shall be made entirely of stainless steel, #4 brushed finish, utilizing all welded construction providing superior vandal and weather resistance. The top shall be a side swing style that locks out for safety. The side swing top shall fully expose the meter compartment for ease of setting the meter and access to the test blocks. The top shall be supported by 3 large all stainless steel hinges with 1/4" pins that are "lift off" style allowing the top to be completely removed. A replaceable 5" x 10", 3/16" thick Lexan viewing window shall be provided. The meter socket test block compartment shall be equipped with a watershed drainage channel and

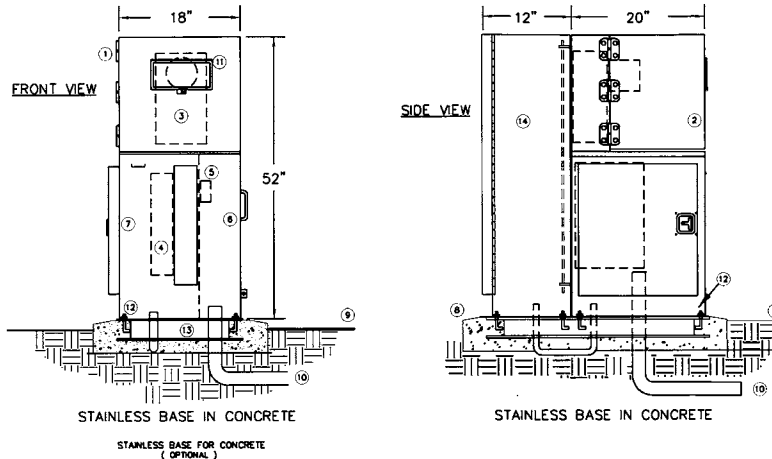
overlapping equipment panels that ensures a watertight design. Within the top meter compartment the meter socket test block assembly shall be installed. The top shall be completely padlockable and accept a utility seal. The utility compartment shall be located on the right side and house the landing lugs. A cover panel that can accommodate a padlock and utility seal shall be provided. The left side of the pedestal shall house the 20" x 30" customer electrical compartment. This compartment shall be outfitted with a fully welded and hemmed stainless steel gasketed door that closes against a watershed drainage channel. The door design and all

stainless steel T handle latching system shall ensure water tightness and vandal resistance. The interior portion of this compartment shall house up to a 20 circuit capable load center with a removable protective panel. A stainless steel electrical backboard shall be provided for ease of wiring and grounding of electrical components. The pedestal assembly shall be a single phase or three phase, 120V/240V or 480V rated unit. The enclosure shall be rainproof NEMA TYPE 3R and the assembly shall be listed by Underwriter Laboratories, Inc. for service entrance equipment.

100 AMP

MODELS: MPE-A16, MPE-B16, MPE-D18

INSTALLATION DETAILS



1. StrongBox metered enclosure, stainless steel, NEMA TYPE 3R— # MPE-XX-XXKAIC
2. Hinged removable lid
3. Meter socket with test blocks
4. Load center
5. Landing lugs
6. Landing lug compartment
7. Load center compartment
8. Poured concrete base—6" min. thickness—extend 6" beyond outside dimensions of enclosure with 1/2% slope for drainage
9. Finish grade
10. Underground service
11. Meter viewing window 2" x 4"
12. 3/8" stainless anchor bolts
13. Stainless mounting base in concrete
14. SB-1852SS stainless customer enclosure

SPECIFICATIONS

The meter pedestal shall be made entirely of stainless steel, #4 brushed finish, utilizing all welded construction providing superior vandal and weather resistance.

The top shall be a side swing style that locks out for safety. The side swing top shall fully expose the meter compartment for ease of setting the meter and access to the test blocks. The top shall be supported by 3 large all stainless steel hinges with 1/4" pins that are "lift off" style allowing the top to be completely removed. A replaceable 5" x 10", 3/16" thick Lexan viewing window shall be provided.

The meter socket test block compartment shall be equipped with a watershed drainage channel and overlapping equipment panels that ensures a

watertight design. Within the top meter compartment the meter socket test block assembly shall be installed. The top shall be completely padlockable and accept a utility seal.

The utility compartment shall be located on the right side and house the landing lugs. A cover panel that can accommodate a padlock and utility seal shall be provided.

The left side of the pedestal shall house the 20" x 30" customer electrical compartment. This compartment shall be outfitted with a fully welded and hemmed stainless steel gasketed door that closes against a watershed drainage channel. The door design and all stainless steel T handle latching system shall ensure water tightness and vandal resistance.

The interior portion of this compart-

ment shall house up to a 20 circuit capable load center with a removable protective panel. A stainless steel electrical backboard shall be provided for ease of wiring and grounding of electrical components.

The pedestal assembly shall be a single phase or three phase, 120V/240V or 480V rated unit. The enclosure shall be rainproof NEMA TYPE 3R and the assembly shall be UL listed for service entrance equipment.

The enclosure section shall be of a vandal and weather resistant nature manufactured entirely of stainless steel. The main housing shall be louvered upper and lower body to allow for cross flow ventilation. Filter screens shall cover all louvers to deflect against water spray, insects and dust.

A stainless steel backboard shall be provided for the purpose of mounting electronic and various other types of equipment. The backboard shall be mounted on six stainless steel bolts that will allow for removal of the backboard. The inside door area shall provide adequate storage for plans, operating instructions, and scheduling information.

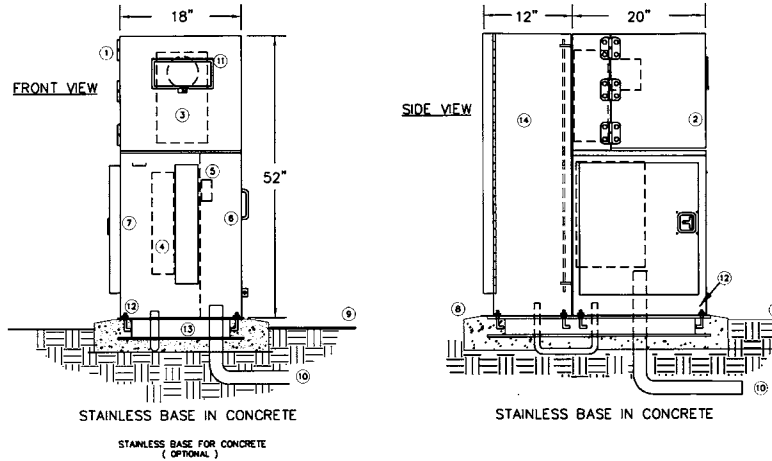
The enclosure door shall have a continuous stainless steel piano hinge, carriage bolted on one side, and a three point locking mechanism on the other side. The edge of the door shall be hemmed to eliminate any sharp edges. The handle controlling the locking mechanism shall be located at the base of the door and be concealed within the surface of the door. A stainless steel cam style lock shall be mounted in the door and a provision for a padlock shall be included within the locking mechanism. The enclosure shall be manufactured with a continuous drainage channel which mates with a teardrop shaped, hollow center, watertight, thermoplastic door seal.

The above described product shall be a NEMA 3R Rainproof Enclosure as listed by Underwriter Laboratories, Inc.

200 AMP

MODELS: MPE-C20, MPE-E24

INSTALLATION DETAILS



1. StrongBox metered enclosure, stainless steel, NEMA TYPE 3R—# MPE-XX-XXKAIC
2. Hinged removable lid
3. Meter socket with test blocks
4. Load center
5. Landing lugs
6. Landing lug compartment
7. Load center compartment
8. Poured concrete base—6" min. thickness—extend 6" beyond outside dimensions of enclosure with 1/2% slope for drainage
9. Finish grade
10. Underground service
11. Meter viewing window 2" x 4"
12. 3/8" stainless anchor bolts
13. Stainless mounting base in concrete
14. SB-1852SS stainless customer enclosure

SPECIFICATIONS

The meter pedestal shall be made entirely of stainless steel, #4 brushed finish, utilizing all welded construction providing superior vandal and weather resistance.

The top shall be a side swing style that locks out for safety. The side swing top shall fully expose the meter compartment for ease of setting the meter and access to the test blocks. The top shall be supported by 3 large all stainless steel hinges with 1/4" pins that are "lift off" style allowing the top to be completely removed. A replaceable 5" x 10", 3/16" thick Lexan viewing window shall be provided.

The meter socket test block compartment shall be equipped with a watershed drainage channel and overlapping equipment panels that ensures a

watertight design. Within the top meter compartment the meter socket test block assembly shall be installed. The top shall be completely padlockable and accept a utility seal.

The utility compartment shall be located on the right side and house the landing lugs. A cover panel that can accommodate a padlock and utility seal shall be provided.

The left side of the pedestal shall house the 20" x 30" customer electrical compartment. This compartment shall be outfitted with a fully welded and hemmed stainless steel gasketed door that closes against a watershed drainage channel. The door design and all stainless steel T handle latching system shall ensure water tightness and vandal resistance.

The interior portion of this compart-

ment shall house up to a 20 circuit capable load center with a removable protective panel. A stainless steel electrical backboard shall be provided for ease of wiring and grounding of electrical components.

The pedestal assembly shall be a single phase or three phase, 120V/240V or 480V rated unit. The enclosure shall be rainproof NEMA TYPE 3R and the assembly shall be UL listed for service entrance equipment.

The enclosure section shall be of a vandal and weather resistant nature manufactured entirely of stainless steel. The main housing shall be louvered upper and lower body to allow for cross flow ventilation. Filter screens shall cover all louvers to deflect against water spray, insects and dust.

A stainless steel backboard shall be provided for the purpose of mounting electronic and various other types of equipment. The backboard shall be mounted on six stainless steel bolts that will allow for removal of the backboard. The inside door area shall provide adequate storage for plans, operating instructions, and scheduling information.

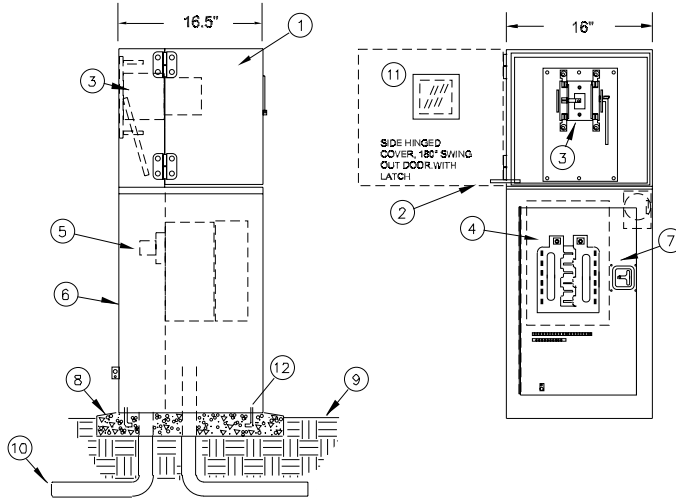
The enclosure door shall have a continuous stainless steel piano hinge, carriage bolted on one side, and a three point locking mechanism on the other side. The edge of the door shall be hemmed to eliminate any sharp edges. The handle controlling the locking mechanism shall be located at the base of the door and be concealed within the surface of the door. A stainless steel cam style lock shall be mounted in the door and a provision for a padlock shall be included within the locking mechanism. The enclosure shall be manufactured with a continuous drainage channel which mates with a teardrop shaped, hollow center, watertight, thermoplastic door seal.

The above described product shall be a NEMA TYPE 3R Rainproof Enclosure as listed by Underwriter Laboratories, Inc.

METERED ENCLOSURE

MODELS: CSP-A, CSP-B, CSP-C

INSTALLATION DETAILS



1. StrongBox metered enclosure, stainless steel, NEMA TYPE 3R #CSP-XXX-XX
2. Hinged removable lid
3. Meter socket with test blocks
4. Load center
5. Landing lugs
6. Landing lug compartment
7. Load center compartment
8. Poured concrete base—6" min. thickness—extend 6" beyond outside dimensions of enclosure with 1/2% slope for drainage
9. Finish grade
10. Underground service
11. Meter viewing window 5" x 10"
12. 3/8" stainless anchor bolts

meter face be attached to meter socket so meter face panel may not be removed without disconnecting meter bulb. Meter section must be padlockable for safety as well as utility seal.

The Utility landing section shall be the rear with a removeable panel for full access to landing lugs. Landing lugs shall be aluminum type lugs using hexagon screws for tightening.

A cover panel that will accommodate a padlock and utility seal shall be provided.

The customer section will be in the lower front of the pedestal.

The compartment shall be fitted with a fully welded door with hemmed edges to eliminate sharp edges. The door design shall use a T-handle latching system to ensure a watertight seal and vandal resistance. A continuous piano hinge shall be used and installed using carriage bolts.

This compartment will house a GE load center with main breaker. the internal housing will be fitted with a protective panel and shall only expose the breaker switches.

The meter pedestal assemblies shall be 0-200Amp, single phase only 120V/240V rated. The enclosure shall comply with EUSERC electrical standards and current NEC codes. The enclosure shall be rated NEMA TYPE 3R rain-proof and be listed by Underwriter Laboratories, Inc.

SPECIFICATIONS

The meter pedestal shall be made entirely of stainless steel, using welded construction and finishing.

Pedestals shall be covered by polyester TGIC powder coating having a minimum thickness of 2.5 mils.

Top cover shall be a side swing style that locks out for safety. The swing top will open 180 degrees to provide clear access to meter socket and test blocks. The swing top shall be supported by two heavy duty stainless steel hinges with 3/8" pins and that are "lift off" style allowing the top to be completely removed. The

Swing top shall also have hemmed edges to eliminate sharp edges. A replaceable 3/16" thick lexan window for viewing shall be installed for meter reading. Lexan window shall be hinged and available with hasps to lock out for safety. The meter socket and test block section shall be equipped with rainwater drainage channel and overlapping equipment panels to ensure watertight design. The meter socket compartment shall house EUSERC approved commercial meter socket and test blocks. The meter section shall accept ring style meter and



CINCH-TIE®

SPECIFICATIONS

Tree ties shall be manufactured of virgin flexible vinyl meeting ASTM-D-412 standards for tensile and elongation strength. Material shall be black for ultraviolet resistance. Tree ties shall be manufactured with a double back locking configuration and secured with one galvanized nail to prevent slippage. Tree ties shall elongate with the tree growth preventing damage to the tree.

Location Guideline

Step 1. Cut the nursery provided supports away from the young tree.

Step 2. To determine the best place to install Cinch-Tie, hold the tree trunk at different points to find the spot where the top does not bend over. Install the Cinch-Tie 6" taller than this height.

Step 3. The first Cinch-Tie should be placed 6" higher than the spot on the trunk where your hand previously determined support for the top.

Step 4. Trees should be secured with at least two Cinch-Ties to assure a straight, firm hold.

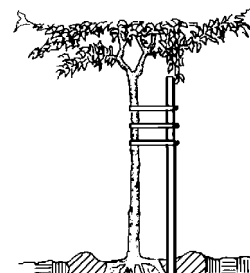
MODELS

Cinch-Tie 24"	5-15 gal., single or doubles stakes
Cinch-Tie 32"	20" box and larger for single or double stakes.

HOW TO USE CINCH-TIES

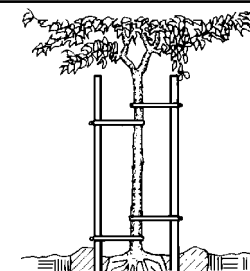
Single Stake

A single stake should be placed on the side of the prevailing wind. The tree should be supported with a minimum of two Cinch-Ties. Use either the Standard or Figure Eight tying method.



Double Stakes

One stake should be placed on the side of the prevailing wind with the other stake on the opposite side of the tree. The tree should be supported with four Cinch-Ties to assure a straight, firm position. Use either the Standard or Figure Eight tying method.



Standard Tie

Wrap Cinch-Tie around the tree trunk and the stake to form a loop. Tie with the double-back locking configuration. Secure with a galvanized nail driven through the Cinch-Tie and into the stake to prevent slippage.

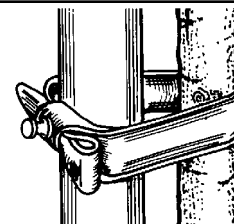
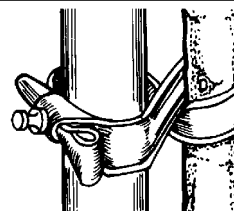


Figure Eight Tie

Wrap Cinch-Tie around the tree trunk and the stake twisting to form a figure eight. Tie with the double-back locking configuration. Secure with a galvanized nail driven through the Cinch-Tie and into the stake to prevent slippage.





CINCH-BELT™

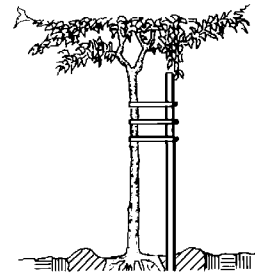
SPECIFICATIONS

The tree ties shall be manufactured of virgin flexible vinyl meeting ASTM-D412 standards for tensile and elongation strength. Material shall be black for ultraviolet resistance. Tree ties shall be manufactured with a rounded backside to protect the tree and locked into position with a buckle.

The tree tie shall be secured to a wooden post with one galvanized nail, or double wrapped around a metal post to prevent slippage. Tree ties shall elongate with the tree growth preventing damage to the tree.

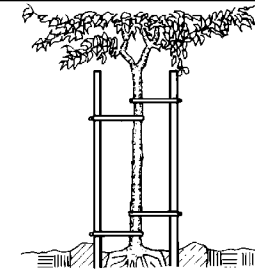
HOW TO USE CINCH-BELT Single Stake

A single stake should be placed on the side of the prevailing wind. The tree should be supported with a minimum of two Cinch-Belts. Use either the Standard or Figure Eight tying method.



Double Stakes

One stake should be placed on the side of the prevailing wind with the other stake on the opposite side of the tree. The tree should be supported with four Cinch-Belts to assure a straight, firm position. Use either the Standard or Figure Eight tying method.



Standard Tie

Wrap Cinch-Belt around the tree trunk and the stake to form a loop. Insert both ends of Cinch-Belt through buckle. Secure with a galvanized nail driven through the Cinch-Belt and into the stake to prevent slippage.

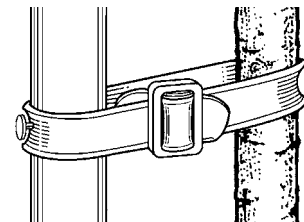
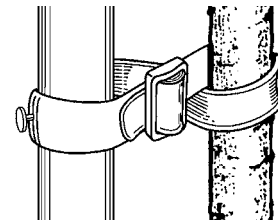


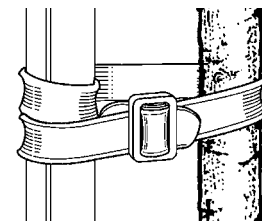
Figure Eight Tie

Wrap Cinch-Belt around the tree trunk and the stake twisting to form a figure eight. Insert both ends of Cinch-Belt through buckle. Secure with a galvanized nail driven through the Cinch-Belt and into the stake to prevent slippage.



Metal Stake Tie

Wrap Cinch-Belt around the tree trunk and double-wrap the stake to prevent slippage. Insert both ends of Cinch-Belt through buckle.

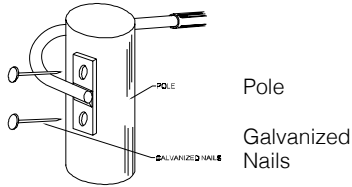




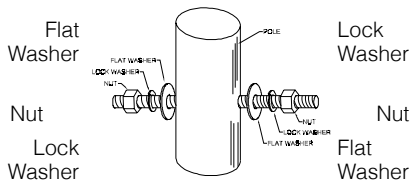
TWIST-BRACE®

INSTALLATION DETAILS

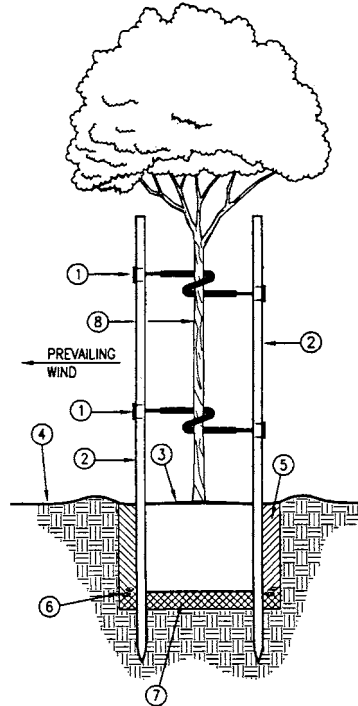
Mounting Methods



Nail Bracket Style is designed to be nailed directly to lodge poles or square stakes. (TB 18, TB 24)



Bolt Style is designed for through pole installation using either galvanized pipe or lodge pole pines. Threaded ends are inserted through drilled holes and bolted securely. (TB 36, TB 42)



NOTES:

- Stake all trees 24" box and smaller. Install V.I.T. Products Model TG-4 Trim Guard on all trees planted in turf.
 - Refer to specifications for plant pit size.
 - Install Twist-Brace per manufacturer's recommendations.
1. V.I.T. Twist Brace—secure to each pole
 2. 2" dia. lodge pole pine tree stake
 3. Depressed watering basin remove from turf areas during finish grading
 4. Finish grade
 5. Backfill mix per specs.
 6. Plant packets per specs.
 7. Compacted backfill mix per specs.
 8. Tree

MODEL	LOOP DIA.	OVERALL LENGTH	SUGGESTED FOR:	SUGGESTED POLE
TB 24	4-1/2"	24"	5-15 gal. – 24" box trees	2" x 10'
TB 36	4-1/2"	36"	24" – 30" box trees	2" x 10'

SPECIFICATIONS–NAIL BRACKET STYLE

The 5/16" round metal rod shall be encased in black U.V. resistant vinyl tubing placed at the center of the rod. The 5/16" rod is to be bent in a 360° circle. The meeting points of the rod shall be spread apart permitting the

brace to be placed on the tree by holding it parallel to the tree trunk with the open part of the circle on either side of the trunk. The tree trunk shall be enclosed in the circle as the brace is twisted at right angles to the trunk.

Mounting plates with nail holes for either square or round stakes, shall be welded at each end of the rod. Exposed metal ends shall be treated with a rust inhibiting coating.

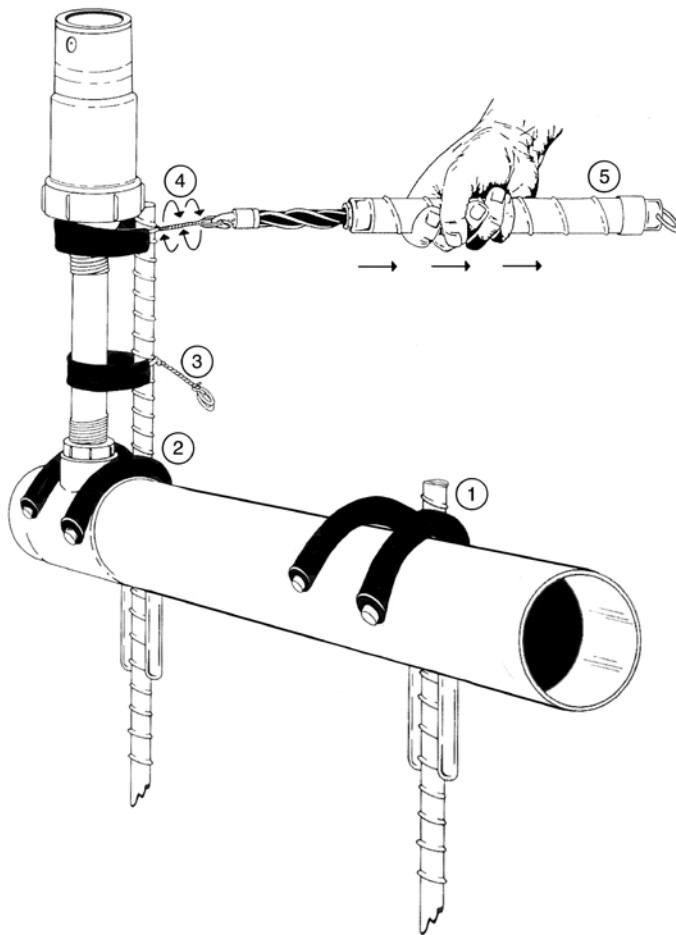
SPECIFICATIONS–BOLT STYLE

The 1/2" round threaded metal rod shall be encased in black U.V. resistant vinyl tubing placed at the center of the rod. The rod is to be bent in a 360° circle. The meeting points of the rod shall be spread apart permitting the

brace to be placed on the tree by holding it parallel to the tree trunk with the open part of the circle on either side of the trunk. The tree trunk shall be enclosed in the circle as the brace is twist-

ed at right angles to the trunk. The threaded ends shall be inserted through drilled holes in the stakes or poles and secured with nuts, lock washers and flat washers.

STABILIZERS AND SPRINKLER TIES



1. Pipe Stabilizer – 12", 18", 24"
2. Sprinkler Stabilizer – 18" 24"
3. ST-9 Sprinkler Tie – 9"
4. ST-12 Sprinkler Tie – 12"
5. Ratchet Tool – Automatic Twister

SPECIFICATIONS

Pipe Stabilizer- Used in between sprinkler heads to control movement of the pipe. The vertical striking area provides good penetration in even the toughest soils and minimizes the above ground exposure. Since the hammer only touches the vertical metal the rounded J hook is untouched and damage is avoided. Vinyl covered J hooks shall protect the pipe from damage.

Sprinkler Stabilizer- Used to

secure pipe and sprinkler heads to prevent movement, vandalism and damage. The vertical provides area to drive the stabilizer into the soil. The vinyl covered J hooks secure the pipe to the ground while the steel shaft at the top gives the sprinkler head additional support.

Sprinkler Ties- Used to secure the sprinkler to the Sprinkler Stabilizer. The unique design allows fast installation while producing a strong bond between the stake and the sprinkler head.

The stainless steel wire and the vinyl covering produces a secure solution to attaching sprinklers to the stakes.

Ratchet Tool- Installation tool providing a solid grip. Attach the Ratchet Tool hook into the eyelets of the Sprinkler Tie and pull back. The twisting action is unique to the tool. This secures the sprinkler against the stake. The Ratchet Tool is designed to spin wires to tighten.



Stainless Products

V.I.T. Products, Inc. warrants to its trade customers that its Strong Box® products will be free from original defects in materials and workmanship for a period of ten years from the original date of purchase. It will repair or replace at its discretion, parts found to be defective under normal use and service within the warranty period, upon return of such parts at the trade customer's expense. V.I.T. Products, Inc. will not be responsible for incidental or consequential damages or for products which have been altered or modified and its liability under this warranty is limited solely to replacement or repair of defective parts. No agent or representative has authority to waive, alter, or add to the printed provisions of this warranty, to make any representation or warranty not contained herein or to extend this warranty to anyone other than the Strong Box® customer. This warranty is given expressly and in place of all other expressed or implied warranties of merchantability and fitness for particular purpose and this warranty is the only warranty made by V.I.T. Products, Inc. V.I.T. Products, Inc. cannot and does not assume liability for defective products, or damage caused by defective products, not manufactured or supplied by it, even though such products be used in conjunction with Strong Box® products. V.I.T. Products, Inc. reserves the right to redesign, alter or modify its products without incurring any liability from anyone's inventory of such parts or products that may be obsolete.

Cold Rolled Steel Products

V.I.T. Products, Inc. warrants to its trade customers that its Strong Box® products will be free from original defects in materials and workmanship for a period of one year from the original date of purchase. It will repair or replace at its discretion, parts found to be defective under normal use and service within the warranty period, upon return of such parts at the trade customer's expense. V.I.T. Products, Inc. will not be responsible for incidental or consequential damages or for products which have been altered or modified and its liability under this warranty is limited solely to replacement or repair of defective parts. No agent or representative has authority to waive, alter, or add to the printed provisions of this warranty, to make any representation or warranty not contained herein or to extend this warranty to anyone other than the Strong Box® customer. This warranty is given expressly and in place of all other expressed or implied warranties of merchantability and fitness for particular purpose and this warranty is the only warranty made by V.I.T. Products, Inc. V.I.T. Products, Inc. cannot and does not assume liability for defective products, or damage caused by defective products, not manufactured or supplied by it, even though such products be used in conjunction with Strong Box® products. V.I.T. Products, Inc. reserves the right to redesign, alter or modify its products without incurring any liability from anyone's inventory of such parts or products that may be obsolete.

Aluminum Products

V.I.T. Products, Inc. warrants to its trade customers that its Strong Box® products will be free from original defects in materials and workmanship for a period of five years from the original date of purchase. It will repair or replace at its discretion, parts found to be defective under normal use and service within the warranty period, upon return of such parts at the trade customer's expense. V.I.T. Products, Inc. will not be responsible for incidental or consequential damages or for products which have been altered or modified and its liability under this warranty is limited solely to replacement or repair of defective parts. No agent or representative has authority to waive, alter, or add to the printed provisions of this warranty, to make any representation or warranty not contained herein or to extend this warranty to anyone other than the Strong Box® customer. This warranty is given expressly and in place of all other expressed or implied warranties of merchantability and fitness for particular purpose and this warranty is the only warranty made by V.I.T. Products, Inc. V.I.T. Products, Inc. cannot and does not assume liability for defective products, or damage caused by defective products, not manufactured or supplied by it, even though such products be used in conjunction with Strong Box® products. V.I.T. Products, Inc. reserves the right to redesign, alter or modify its products without incurring any liability from anyone's inventory of such parts or products that may be obsolete.

	VANDAL RESISTANCE	WEATHER RESISTANCE	UV RESISTANCE	HEAT DISSIPATION	VENTILATION	AESTHETICS	CONVENIENCE OF USE
Stainless Steel	High Tensile Strength Three-point Locking System Concealed Padlock Cam Style Lock Provided Graffiti Easily Removed Scratch Resistant Finish	Impervious To Corrosion Rain Gutter Drainage Channel Teardrop Shaped, Hollow Center, Watertight, Thermoplastic Door Seal Enhances Lightning Protection UL Listed NEMA TYPE 3R Rated	Impervious To UV Deterioration	High Reflective Value, Lowest Internal Temperatures Minimizes Heat Affect On Electronics	Filtered Cross flow Ventilation Minimizes Internal Condensation Buildup, Allows Rapid Heat Dissipation, Filters Dust, Dirt & Insects Fan Kit Available	Chameleon Effect On The Natural Brushed Stainless Steel Finish Blends With It's Environment And Provides An Unobtrusive Quality	Installation Template Guides Placement Of Low & High Voltage Conduit And Anchor Bolts Removable Predrilled Backboard Provides For Easy Installation Accepts QuickPad
Carbon Steel	Three-point Locking System Exposed Padlock No Cam Style Lock Graffiti Removal Damages Finish Requiring Repainting Finish Easily Scratched	Subject To Corrosion Requiring Continual Maintenance Rain Gutter Drainage Channel Enhances Lightning Protection Door Gasket	Finish Subject To Fading	Poor Reflective Value Unless Very Light Color Used	Non-cross flow Louvered Door	Painted Finish Difficult To Match To Natural Environment Subject To Fading & Rusting	Mounting Platform Set In Concrete
Plastic/Fiberglass	Three-point Locking System Cam Style Lock Only No Padlock Capability Graffiti Removal Damages Finish Finish Easily Scratched—Difficult To Repair	Resistant To Corrosion No Door Seal	Finish Subject To Fading Permanent Damage To Material	Very Slow Heat Dissipation Retained Heat Will Damage Electronic Components	No Ventilation Contributes To Condensation Buildup And Heat Retention	Color Difficult To Match To Natural Environment Subject To Fading, Scratching Difficult To Repaint	



STAINLESS STEEL VS. COLD ROLLED STEEL

Comparison Duration - 10 Years (life of typical cold rolled enclosure)

Model # SB-18SS

Life Cycle Cost = Enclosure Cost + Installation Cost + Maintenance Cost + Removal & Reinstallation Cost - Scrap Value

	<i>Stainless Steel</i>	<i>Cold Rolled Steel</i>
Enclosure Cost	\$1,290.00	\$ 825.00
Installation Cost	400.00	400.00
Total Initial Cost	\$1,690.00	\$1,225.00
<i>Difference In Cost of Initial Investment Using Stainless Steel</i>		\$ 465.00

Maintenance Cost Over 10 year Period
(10% per year for cold rolled steel)

N/A

\$ 825.00

Enclosure Replacement Cost At End of 10 Years
(Adjusted for 2% annual inflation)

N/A

\$ 990.00

Removal & Reinstallation Cost
(Adjusted for 2% annual inflation)

N/A

\$ 480.00

Scrap Value
(10% of initial value)

N/A

\$ 82.50

Total Maintenance, Removal And Replacement Cost

N/A

\$2,212.50

Total Cost Over 10 Year Period

(Initial cost plus maintenance, removal and replacement costs)

\$1,690.00

\$3,437.50

Savings At The End Of 10 Years Using Stainless Steel

\$1,747.50

Investment Recovery Time: 3.6 Years



**2063 Wineridge Place
Escondido, California 92029
(800) 729-1314
Fax: (888) 310-3946
<http://www.vitproducts.com>
E-Mail: sales@vitproducts.com**

AREA REPRESENTATIVES

**Northern California,
Northern Nevada**
JPH Group
(916) 714-0061

**Southern California
Southern Nevada**
Gentile & Associates
(951) 461-0942
(760) 214-5734
(619) 823-9530

Arizona
VPC Sales
(480) 772-0651

Texas
Copeland, O'Neill & Dunbar
(800) 777-9512
(512) 626-1305

Colorado, Wyoming, Montana
RepMasters, Inc.
(303) 286-7575

Idaho, Utah
Inman Interwest, Inc.
(303) 421-7885
(801) 557-4959

Mid West
Warren Thoma & Associates
(815) 477-1814
(847) 224-8843
(314) 495-7667
(507) 458-6414

Northeast
Bartlett Resources, Inc.
(508) 763-8100

Mid-Atlantic, Florida
Warren Thoma Associates
(404) 538-4871
(352) 476-7527

Hawaii
Gentile & Associates
(951) 461-0942
(760) 214-5734
(619) 823-9530

Northwest
RG Sales
(425) 481-1213

East Canada
R. Stephen Ross Associates
(585) 458-7599

PRECISION

QUALITY CONTROLLED



At V.I.T. Products we are committed to manufacturing the finest quality products available. We continually evaluate and upgrade our equipment and manufacturing techniques so we can offer you enclosures with superior fit and finish every time. For example, our computer controlled Strippit LVD 4000 watt laser can cut parts with tolerances as close as .003 of an inch, so each one fits perfectly. And that's not all. Superior quality control is evident throughout the manufacturing and assembly process. The end result is a product we are proud to manufacture in the U.S.A., and one that will give you outstanding performance and durability for many years.

