

REV	DESCRIPTION
A	NEW ISSUE PER ECOWHT8706 JRM 6/12/12

D

C

B

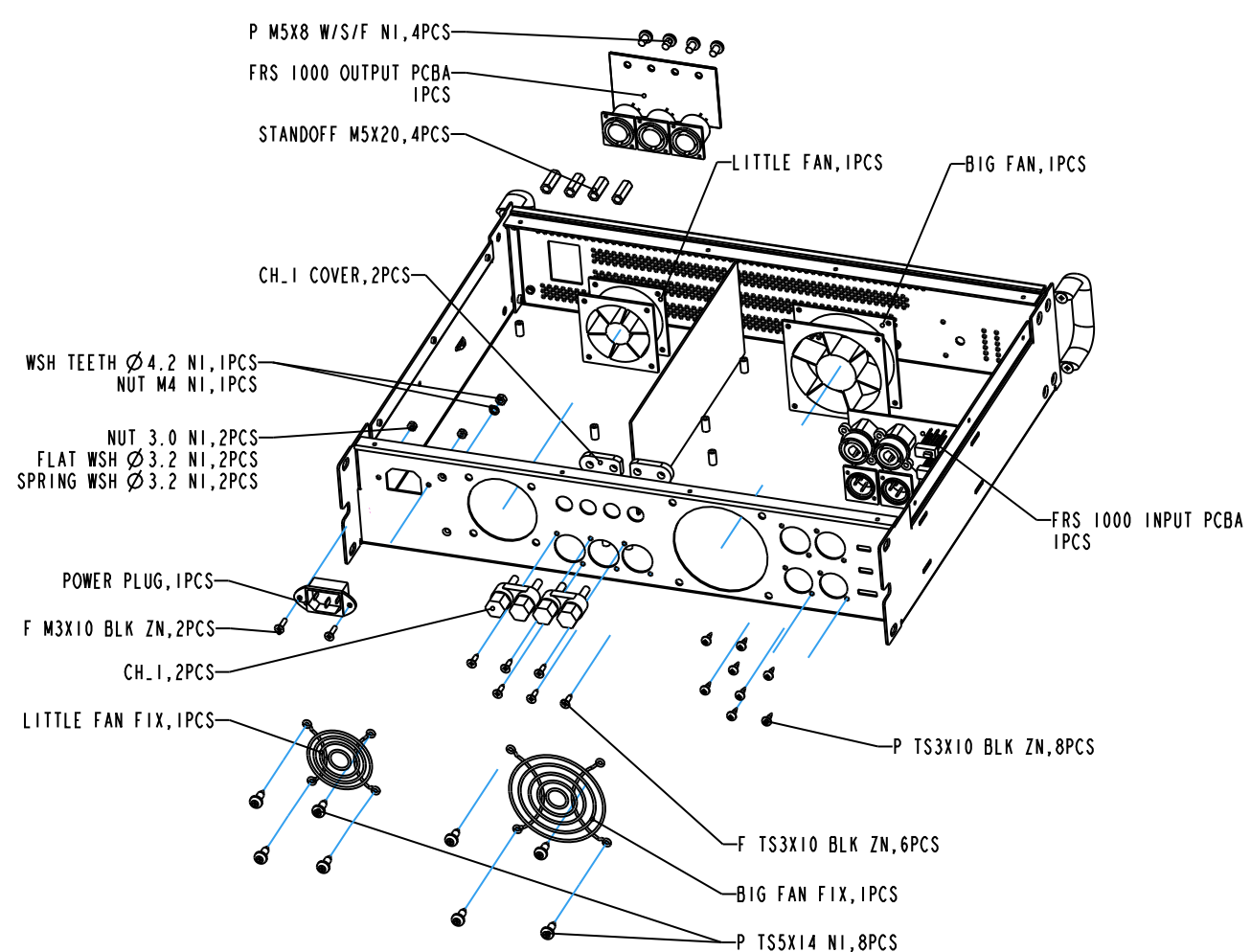
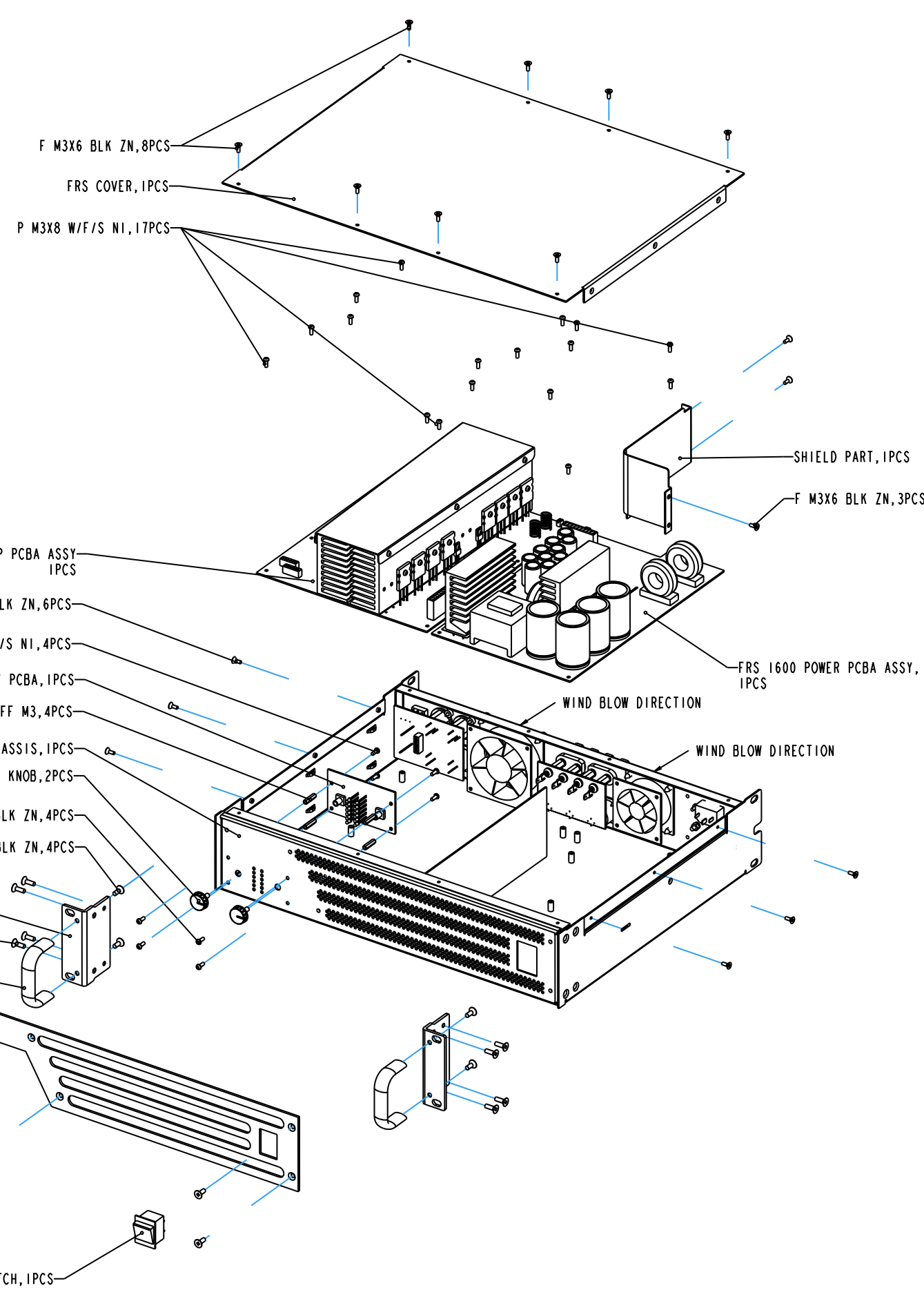
A

D

C

B

A



NOTE: UNLESS OTHERWISE SPECIFIED:  
 1. ASSEMBLY AS PER DESIGN REQUIREMENT,  
 2. THIS DRAWING IS FOR REFERENCE ONLY,  
 3. DETAIL REFER TO THE BOM OF CAZ1700  
 AND DRAWING OF INDIVIDUAL PART,  
 4. ALL PARTS MUST COMPLY WITH RoHS REQUIREMENTS.

THIRD ANGLE PROJECTION

THE INFORMATION CONTAINED HEREIN IS PROPRIETARY AND CONFIDENTIAL PROPERTY OF LOUD TECHNOLOGIES, INC. ALL RIGHTS RESERVED

UNLESS OTHERWISE SPECIFIED:  
 ALL DIMENSIONS ARE IN MILLIMETERS  
 DUAL (INCHES) DIMENSIONS FOR REF ONLY

TOLERANCE IN MILLIMETERS  
 X ± 1 X.X ± .4 X.XX ± .15  
 FRACTIONS ± 1/32  
 ANGLES ± 1/2°

(X.XX) = REF DIMS  
 NO TOLERANCE IMPLIED

TSC = THEORETICAL SHARP CORNER  
 DIMENSIONS ACROSS CENTERLINES TO BE SYMMETRICAL

REVISION CONTROL FOR THIS DOCUMENT IS MAINTAINED IN LOUD TECHNOLOGIES' PRODUCT LIFECYCLE MANAGEMENT APPLICATION.

ALL APPROVAL INFORMATION IS RECORDED ELECTRONICALLY

DRAWN BY:  
J MORRISON

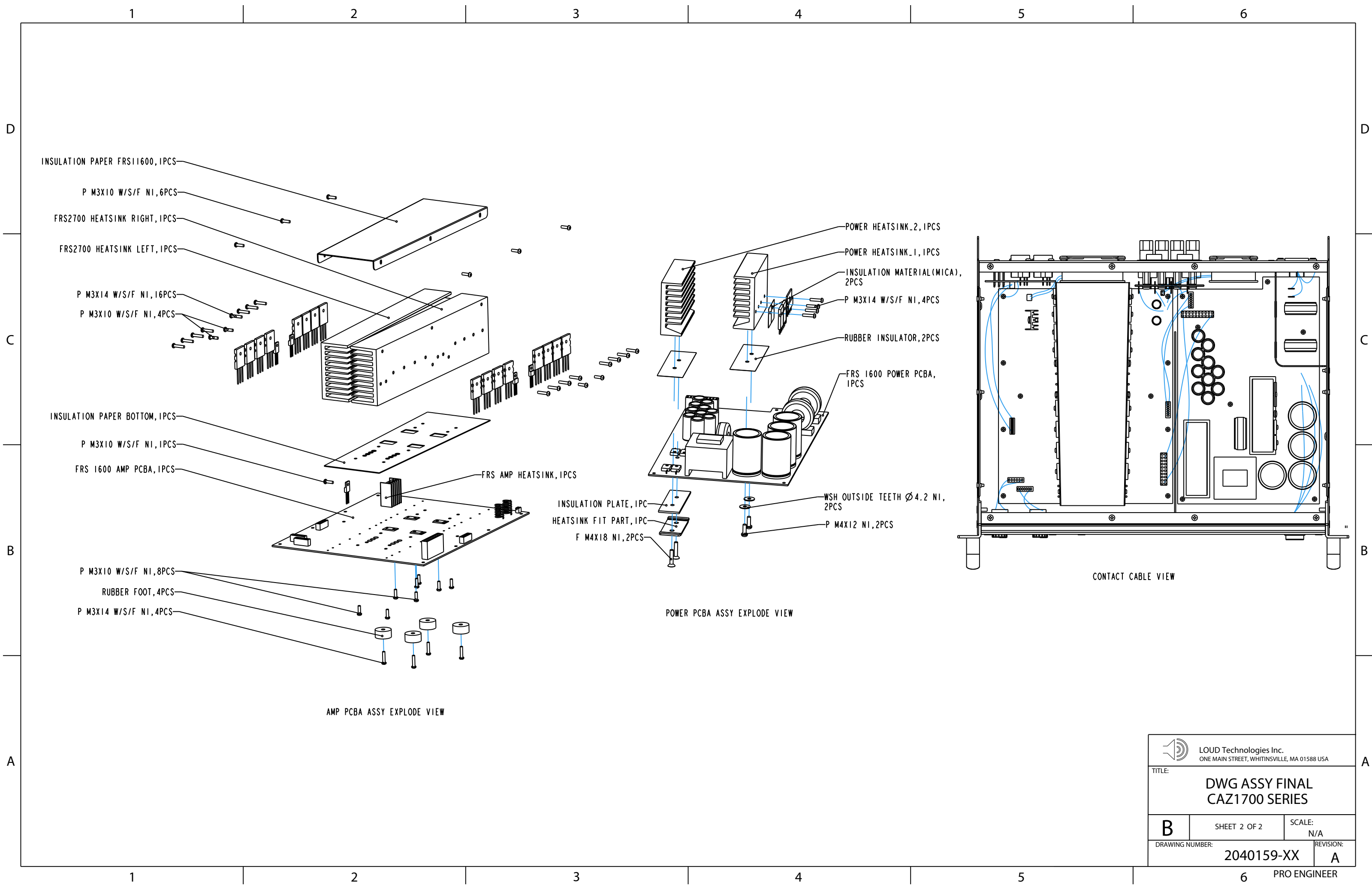
DATE:  
6/12/12

LOUD Technologies Inc.  
 ONE MAIN STREET, WHITINSVILLE, MA 01588 USA

TITLE:  
**DWG ASSY FINAL**  
**CAZ1700 SERIES**

**B** SHEET 1 OF 2 SCALE: N/A

DRAWING NUMBER: **2040159-XX** REVISION: **A**



INSULATION PAPER FRS11600, 1PCS

P M3X10 W/S/F NI, 6PCS

FRS2700 HEATSINK RIGHT, 1PCS

FRS2700 HEATSINK LEFT, 1PCS

P M3X14 W/S/F NI, 16PCS

P M3X10 W/S/F NI, 4PCS

INSULATION PAPER BOTTOM, 1PCS

P M3X10 W/S/F NI, 1PCS

FRS 1600 AMP PCBA, 1PCS

P M3X10 W/S/F NI, 8PCS

RUBBER FOOT, 4PCS

P M3X14 W/S/F NI, 4PCS

AMP PCBA ASSY EXPLODE VIEW

FRS AMP HEATSINK, 1PCS

INSULATION PLATE, 1PC

HEATSINK FIT PART, 1PC

F M4X18 NI, 2PCS

POWER PCBA ASSY EXPLODE VIEW

POWER HEATSINK\_2, 1PCS

POWER HEATSINK\_1, 1PCS

INSULATION MATERIAL (MICA), 2PCS

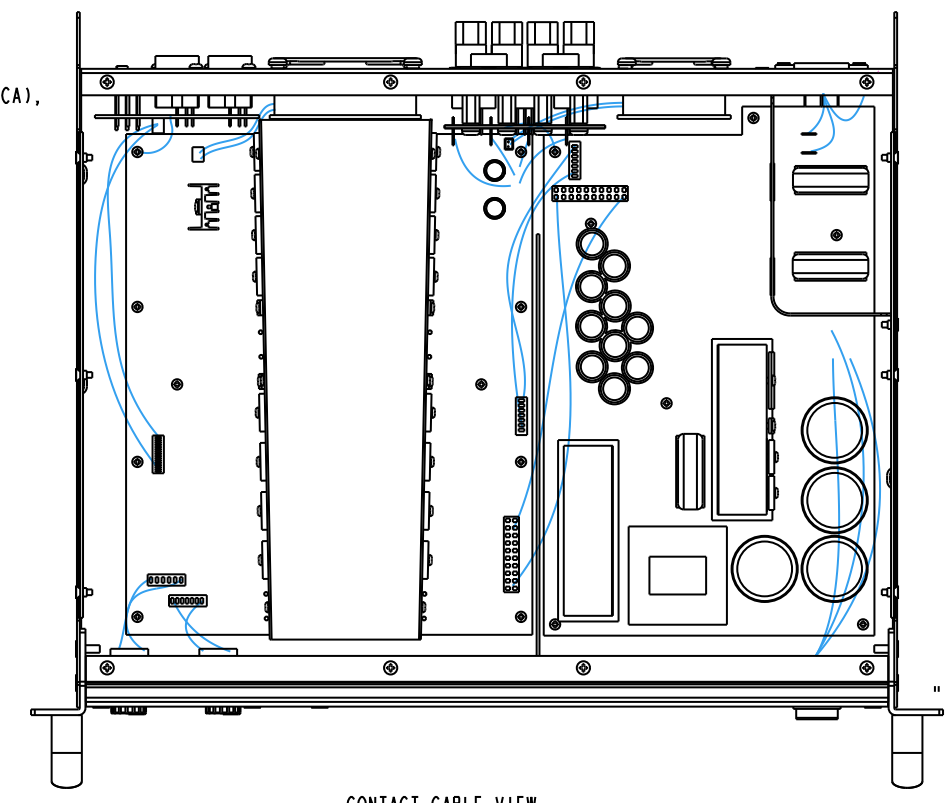
P M3X14 W/S/F NI, 4PCS

RUBBER INSULATOR, 2PCS

FRS 1600 POWER PCBA, 1PCS

WSH OUTSIDE TEETH Ø4.2 NI, 2PCS

P M4X12 NI, 2PCS



CONTACT CABLE VIEW

LOUD Technologies Inc.  
ONE MAIN STREET, WHITINSVILLE, MA 01588 USA

TITLE:  
**DWG ASSY FINAL  
CAZ1700 SERIES**

<b>B</b>	SHEET 2 OF 2	SCALE: N/A
	DRAWING NUMBER: <b>2040159-XX</b>	REVISION: <b>A</b>

PRO ENGINEER