



HYDRO TRACTOR

Parts Manual

Models

936039 46" Precision Hydro Tractor



GB ENGLISH

423812 21546856 Rev. 4 02.17.09
Printed in USA

HOW TO USE THIS MANUAL

This manual is designed to provide the customer with a means to identify the parts on his/her tractor when ordering repair parts. The illustrations may or may not represent the actual assemblies; therefore, it is not recommended to use this manual as a guide to assemble or disassemble the tractor. Some hardware and parts are drawn larger in order to more readily identify them.

Each tractor has its own model number.

The model number for your tractor can be found on the fender under the seat.

When ordering parts, always give the following information:

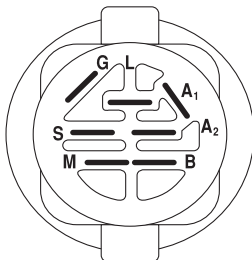
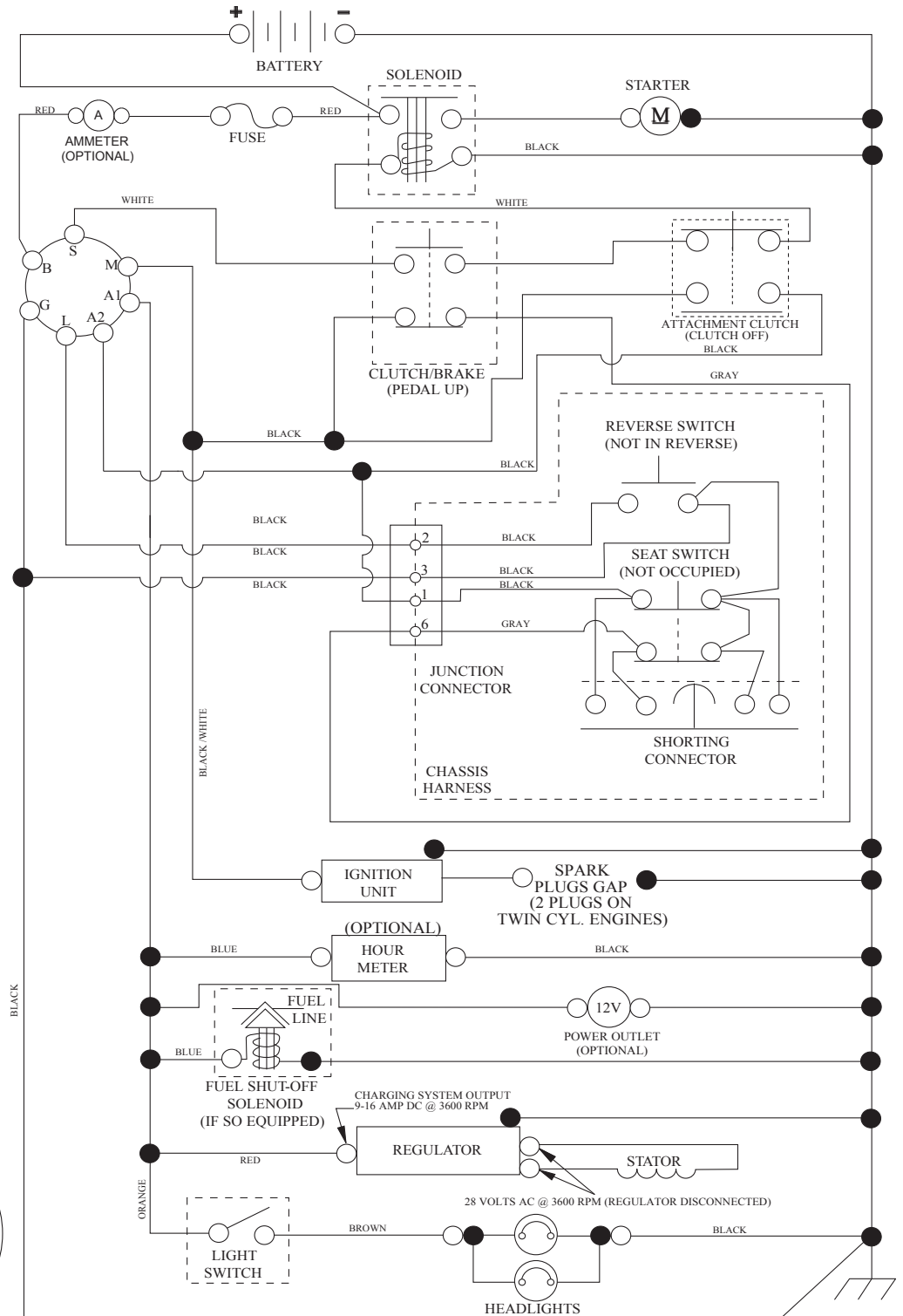
- Product - "Tractor"
- MODEL NUMBER - "93603900 / A20K46YT (96046000300)"
- Part Number
- Part Description

TABLE OF CONTENTS

SCHEMATIC	3
ELECTRICAL.....	4-5
CHASSIS	6-7
DRIVE.....	8-9
ENGINE.....	10-11
STEERING	12-13
MOWER DECK	14-15
MOWER LIFT.....	16-17
SEAT	18-19
DECALS.....	20-21
WARRANTY.....	22-23
PARTS AND SERVICE	24

TRACTOR - MODEL NO. 93603900 / A20K46YT (96046000300), PRODUCT NO. 960 46 00-03 SCHEMATIC

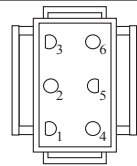
SCH10



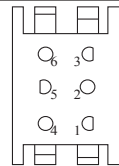
IGNITION SWITCH

POSITION	CIRCUIT	"MAKE"
OFF	M+G+A1	
RUN/OVERRIDE	B+A1	
RUN	B+A1	L+A2
START	B + S + A1	

03107



CHASSIS HARNESS CONNECTOR (MATING SIDE)



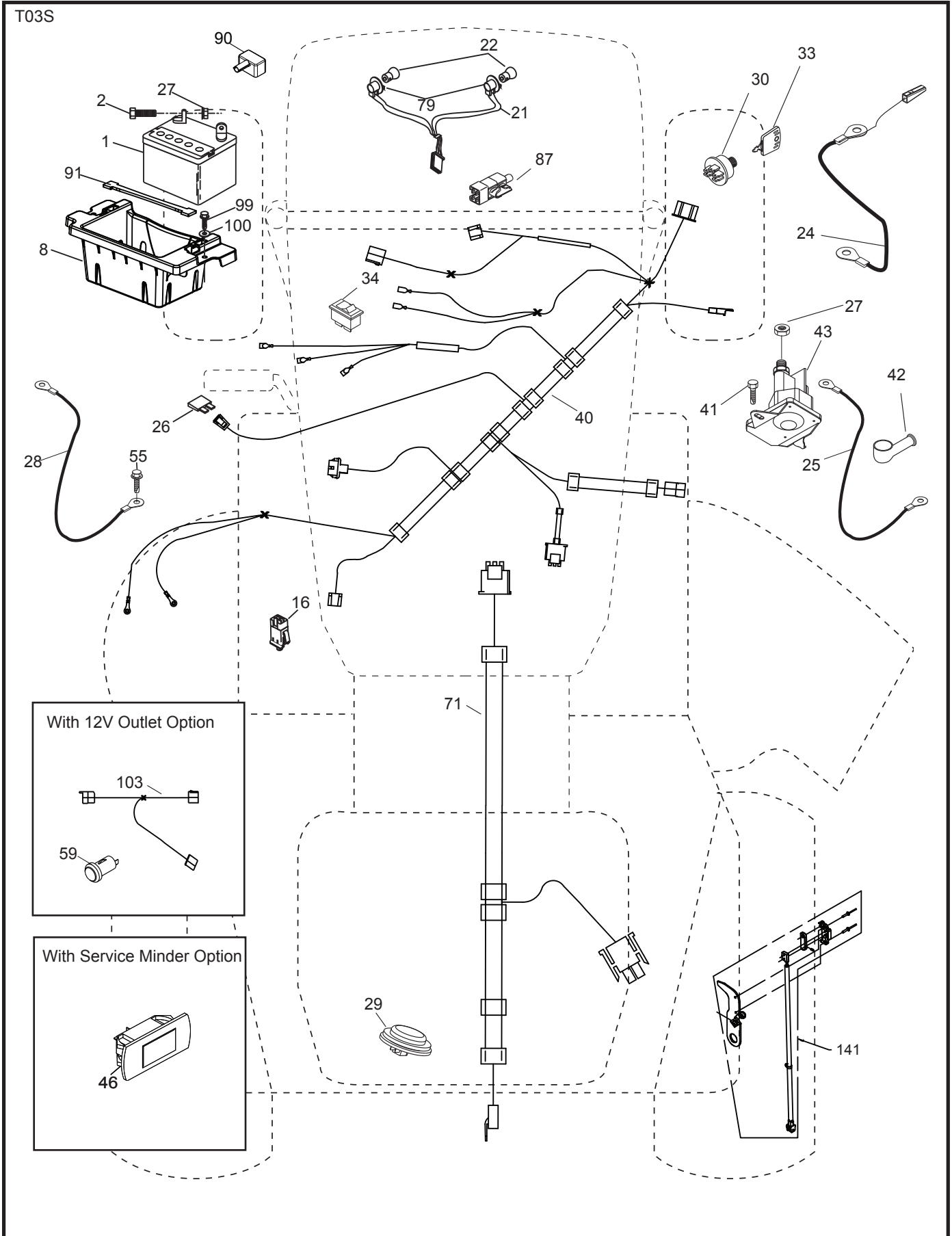
DASH HARNESS CONNECTOR (MATING SIDE)

WIRING INSULATED CLIPS
NOTE: IF WIRING INSULATED CLIPS WERE REMOVED FOR SERVICING OF UNIT, THEY SHOULD BE RE-INSTALLED TO PROPERLY SECURE YOUR WIRING.

NON-REMOVABLE CONNECTIONS

REMOVABLE CONNECTIONS

TRACTOR - MODEL NO. 93603900 / A20K46YT (96046000300), PRODUCT NO. 960 46 00-03
ELECTRICAL



**TRACTOR - MODEL NO. 93603900 / A20K46YT (96046000300), PRODUCT NO. 960 46 00-03
ELECTRICAL**

ITEM NO.	MFG. NO.	ARIENS PART NO.	DESCRIPTION
1	163465	21546162	Battery.12.Volt.28.Amp.Wet
2	74760412	21546803	Bolt Hex Hd 1/4-20 unc x 3/4
8	186491	21546233	Box.Battery.Mount.Front.Lt
16	176138	21546205	Switch.Interlock.Nono.Gray
21	183759	21546226	Harness Asm.Light.22"(4152j)
22	4152j	21546673	Bulb.Light.#1156
24	400253	21546556	Cable.Btry.Pswre.Dsh Sol.8"Tex
25	412894	21546646	Cable.Starter.6ga.Bl/Red.14.5"
26	175158	21546200	Fuse.20 Amp.
27	73510400	21546779	Nut, Keps Hex 1/4-20 unc
28	145491	21546112	Cable.Ground.21"Blk.6 Ga.90t
29	401545	21546574	Switch.Seat.Delta.Opc.9lb.
30	193350	21546319	Switch.Ign.Dlta.P-in.Ros
33	411935	21546640	Key/chain.Blister pack.Gen.Ce
34	110712x	21546050	Switch.Light/Reset.B/B/Red.
40	401098	21546568	Harness.Ign.Dash.Cbl.Ytgt.Pred
41	17720408	21546210	Screw 1/4-20 x 1/2
42	131563	21546082	Cover.Terminal.Red
43	192507	21546294	Solenoid.w/Brass Plunger.2005
55	17060512	21546187	Screw.5/16-18x3/4.Smgml.Tap/r
71	194276	21546323	Harness.Ign.Chassis.Tex
79	175242	21546201	Socket Asm.Bulb.Twistlock
87	197802	21546457	Switch.Intrlck.Clutch.Cable.Tx
90	400724	21546559	Cover.Terminal.Battery.Fr.Tex
91	190270	21546274	Strap.Battery.Mount.Front
99	17670412	21546207	Screw.Hexwsh.Thdrol.1/4-20 x 3/4
100	19091416	21546277	Washer.9/32 x 7/8 x 16ga.
141	416977	21546680	Kit.T2.Ros.(71677)

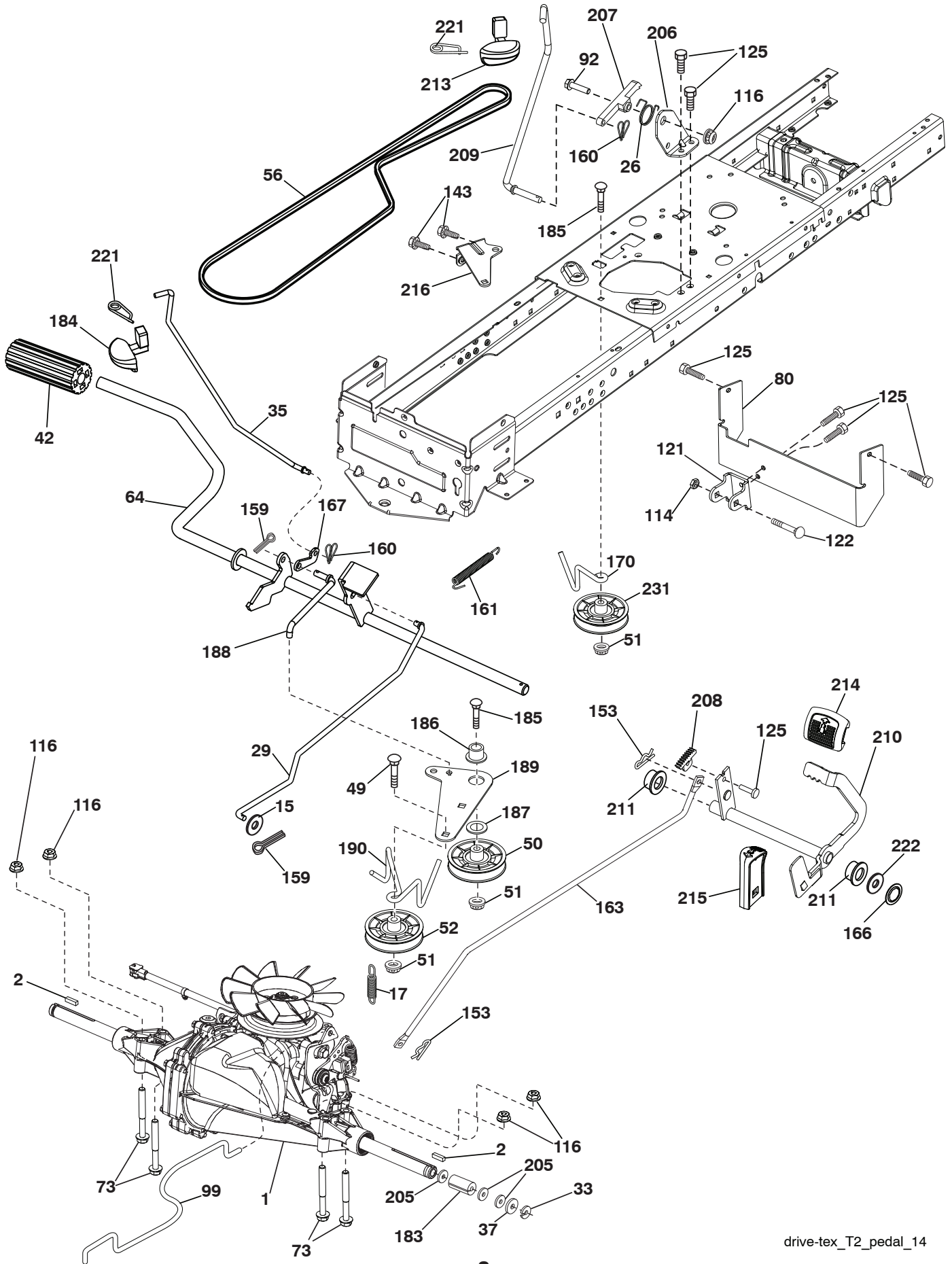
NOTE: All component dimensions given in U.S. inches
1 inch = 25.4 mm

**TRACTOR - MODEL NO. 93603900 / A20K46YT (96046000300), PRODUCT NO. 960 46 00-03
CHASSIS**

ITEM NO.	MFG. NO.	ARIENS PART NO.	DESCRIPTION
5	401715X428	21546576	Dash.Upper.Tex.Elite.Cc.Nchk428
14	425404X422	21546867	Hood
15	188264X599	21546261	Lens.Elite-Husq.Clear.LH
18	423180	21546709	Grille.Asm.Elite.Dl.Ariens.Blk
25	188263X599	21546260	Lens.Elite-Husq.Clear.RH
34	196125	21546384	Plate.Engine.Welded.Chassis
36	17060512	21546187	Screw.5/16-18 x 3/4.Smgml.Tap/R
37	414878X422	21546669	Fender.Tlt.W/Cph.W/Fw.422
52	73680500	21546784	Nut, Hex, Crownlock 5/16-18
58	412280	21546643	Drawbar.Upper.2pc.Sml.Fender
68	17490508	21546199	Screw.Thdrol.5/16-18 x 1/2tytt
130	416358	21546675	Screw
137	184921	21546230	Bumper.Hood.Large. 1.75"
138	193224X428	21546311	Cupholder.Tl.Tex.428
150	189350	21546273	Air Duct.Engine.Elite-SV
151	407807	21546626	Bracket.Pivot.Lasr/Elite/HusqIt
152	199535	21546501	Shield.Browning.w/Tex
159	17000612	21546181	Screw.Hexwsh Thdr3/8-16 x 3/4.BI
161	193229X428	21546316	Window.Fuel.Lt.Tex.428
162	142432	21546106	Screw.Hex.Wsh.Hi-Lo.1/4x1/2 unc
165	196826	21546413	Support.Tank.Rear.W/Tex
175	193243	21546317	Crossmember.Lt
176	400776	21546562	Screw.#10-24 x 5/8.Rnd.Qudrx.Gim
177	195227	21546356	Bushing.Steering.Yt/Gt
180	415063	21546670	Chass.Wldmt.Tl.12ga/2pc.18/22"
181	193102X428	21546304	Bushing.Mnt.Fend.Crgo.Blk.Tex
182	193057	21546302	Dash Lower.Lt.Ccs
183	74780520	21546814	Bolt.Fin.Hex.5/16-18 unc x1-1/4
189	17000512	21546180	Screw.5/16-18x3/4.Smgml.Tap/BI
191	188267	21546264	Insert.Lens.Rfct.Elt-Husq.
194	73900500	21546789	Nut, Lock Hex Flange 5/16-18 unc
196	414579	21546663	Console.Asm.Decklft.Bl/Rbt.Tlt
205	188265X428	21546262	Skirt.Side.RH.Elite Husq.428
206	188266X428	21546263	Skirt.Side.LH.Elite Husq.428
213	74760512	21546804	Bolt, Hex Head 5/16-18 X 3/4
217	409167	21546636	Rod.Pivot.Hood
218	196395	21546400	X-Piece.Hood.Stop.Non/Stealth
228	195161	21546343	Stud.Fastner.w/'D'Anti-Rotatio
235	406129	21546619	Spacer.Fender
236	73930500	21546793	Nut.Center Lock.5/16-18 unc
287	17600406	21546204	Screw.Hex.Washead.1/4-20 X 3/8
297	416500	21546678	Insert.Reflective.RH

NOTE: All component dimensions given in U.S. inches
1 inch = 25.4 mm

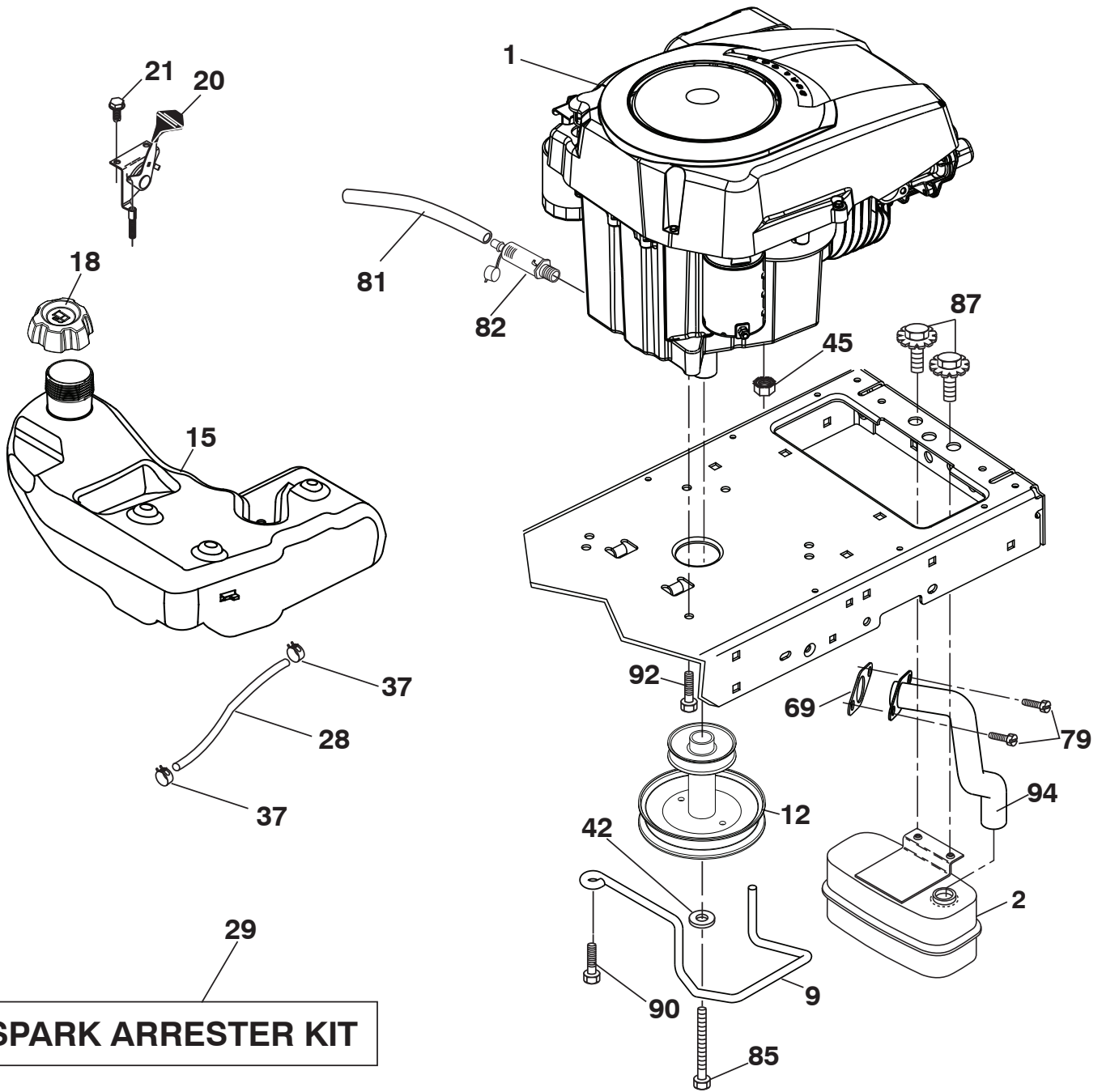
TRACTOR - MODEL NO. 93603900 / A20K46YT (96046000300), PRODUCT NO. 960 46 00-03
DRIVE



**TRACTOR - MODEL NO. 93603900 / A20K46YT (96046000300), PRODUCT NO. 960 46 00-03
DRIVE**

ITEM NO.	MFG. NO.	ARIENS PART NO.	DESCRIPTION
1	-----	-----	Transaxle, Hydro T2-AABC-1X2B-1GX1 (Order Parts From Transaxle)
2	123583X	21546070	Key.Square.2.0 x .1845/.1865
15	19131316	21546284	Washer.13/32 x 13/16 x 16 Ga.
17	197296	21546433	Spring.Brake.Gt.Tex
26	199679	21546508	Spring.Return.Cruise
29	408391	21546630	Rod.Brake.T2.Tex
33	12000001	21546051	E-Ring.#5133-75
35	197722	21546453	Rod.Brake.Parking.Lt.Tex
37	121749X	21546067	Washer.25/32 x 1 1/4 x 16 Ga.
42	8883R	21546831	Cover.Pedal.Blk.Round
49	72110614	21546766	Bolt.Rdhd.3/8-16 unc x 1-3/4.Gr5
50	194327	21546331	Idler.Flat.910"Offset
51	73900600	21546790	Nut, Hex, Flangelock 3/8-16
52	194326	21546330	Idler.V-Groove.910"Offset
56	125907X	21546076	V-Belt.Ground Drive.90.00
64	197865	21546465	Shaft Asm.Pedal.Brk.Cntrl.Pch
73	74490544	21546798	Bolt.Hex.Flghd.5/16-18.Gr.5
80	408393	21546631	Strap.Torque.Fs.T2
92	74760520	21546806	Bolt, Hex Head 5/16-18 x 1-1/4
99	408418	21546632	Rod.Asm.Bypass.Spring.T2.Fs
114	73800500	21546786	Locknut, Washer Insert 5/16-18
116	73900500	21546789	Nut, Lock Hex Flange 5/16-18 unc
121	175611	21546203	Bracket.Strap.Torque.T/A.3500
122	72010520	21546757	Bolt 5/16-18 x 2.50
125	17000512	21546180	Screw.5/16-18 x 3/4.Smgml.Tap/Bl
143	17490508	21546199	Screw.Thdrol.5/16-18 x 1/2tytt
153	4497H	21546739	Retainer Spring
159	76020412	21546820	Pin.Cotter.1/8 x 3/4.Cad.
160	169484	21546178	Retainer.Clip(M).Dia.290
161	105709X	21546028	Spring.Return.Clutch.6.75
163	413322	21546647	Rod.Control.Pch.T2.Tex
166	197290	21546432	Nut.Push..625.2006
167	405257	21546608	Latch.Brake.Parking
170	413430	21546648	Keeper.Center Span.1.688
183	156972	21546141	Spacer.Axle.Pvst
184	198403X505	21546477	Handle.Parking Brake.Lttex.505
185	72110622	21546768	Bolt.Rdhd.3/8-16 unc x 2-3/4 Gr5
186	194321	21546328	Spacer.Retainer
187	19133210	21546287	Washer.13/32 x 2 x 10 Ga.
188	194323	21546329	Link.Clutch.Ground Drive
189	194317	21546324	Bellcrank.Groundrive.Nstg/Nstl
190	194318	21546325	Keeper.Bellcrank.Drive.Ground
205	121748X	21546066	Washer.25/32 x 1-5/8 x 16 Ga.
206	197867	21546467	Bracket.Mount.Latch.Cruise
207	197868	21546469	Latch.Control.Cruise
208	197869	21546470	Gear Sector.Control.Cruise
209	400769	21546561	Rod.Control.Cruise.Lt.Elite
210	400980	21546565	Rocker Asm.Pedal Control.Textl
211	120183X	21546061	Bearing.Nylon.Blk..629 Id.
213	400799X428	21546563	Handle.Control.Cruise.Elite.428
214	197302X428	21546437	Pedal.Forward.Tex.Gt.428
215	197301X428	21546436	Pedal.Reverse.Tex.Gt.428
216	196131	21546385	Bracket.Pulley.Idler.Wtex
221	403187	21546588	Retainer.Spring.Clip.Handle
222	79212010	21546821	Washer.21/32x1-1/4.10ga.N/Pltd
231	407287	21546622	Idler.V-Groove.1.688"Offset

NOTE: All component dimensions given in U.S. inches
1 inch = 25.4 mm



engine-tex_Kohl_11_r1

**TRACTOR - MODEL NO. 93603900 / A20K46YT (96046000300), PRODUCT NO. 960 46 00-03
ENGINE**

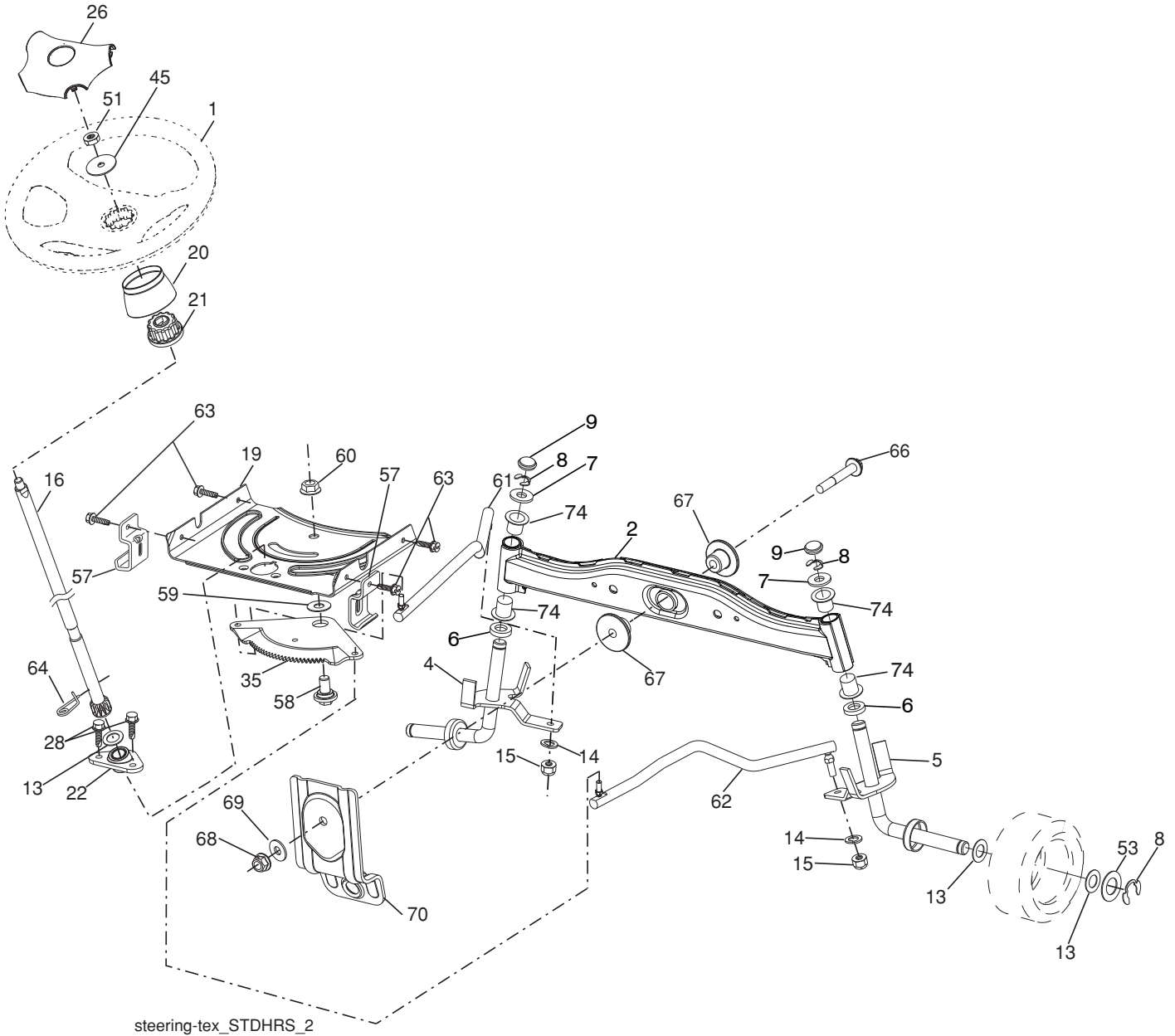
ITEM NO.	MFG. NO.	ARIENS PART NO.	DESCRIPTION
1	-----	-----	Engine Kohl Model No. SV600
2	188655	21546269	Muffler.Single.Cyl.Kohl.Courag
9	194319	21546326	Keeper.Belt.Engine.3.25"Nstl
12	405140	21546606	Pulley.Engine.5.0.PD.
15	400021	21546553	Tank.Fuel.Side-Fill.3.00 Ga.
18	195951	21546376	Cap Asm.Fuel Tank.3"Black
20	176636X428	21546206	Control.Th/Ck.Cobra.Bs.Eec.428
21	416358	21546675	Screw
28	401135	21546570	Line.Fuel.64"Rear.Emis.Ca.Lp
29	137180	21546090	Kit.Spark Arrestor(392390 B&S)
37	123487X	21546069	Clamp.Hose.Blk.
42	10040700	21546004	Washer.Lock.Hvy Hlcl.Spr.7/16
45	73510400	21546779	Nut, Keps Hex 1/4-20 unc
69	185909	21546232	Gasket.Kohler.Sv.I.(20-041-12)
79	192334	21546293	Screw.Socket Hd.5/16-18 X .75
81	148456	21546117	Tube.Drain.Oil.Easy
82	181654	21546220	Plug.Drain.Oil.Easy
85	173937	21546191	Bolt.Hex.7/16-20 x 4 x Gr. 5-1.5thr.
87	171877	21546190	Bolt.5/16-18 unc x 3/4 w/Sems.Blk
90	17000616	21546182	Screw.3/8-16x1.Smgml.Tap/R.Blk
92	17120616	21546188	Screw.3/8-16 X 1.Smgml.Tap/R
94	188654	21546268	Tube.Exhaust.Kohl.Courage

NOTE: All component dimensions given in U.S. inches
1 inch = 25.4 mm

For engine service and replacement parts, call the toll free
number for your engine manufacturer listed below:

Kohler Co. 1-800-544-2444

TRACTOR - MODEL NO. 93603900 / A20K46YT (96046000300), PRODUCT NO. 960 46 00-03
STEERING ASSEMBLY

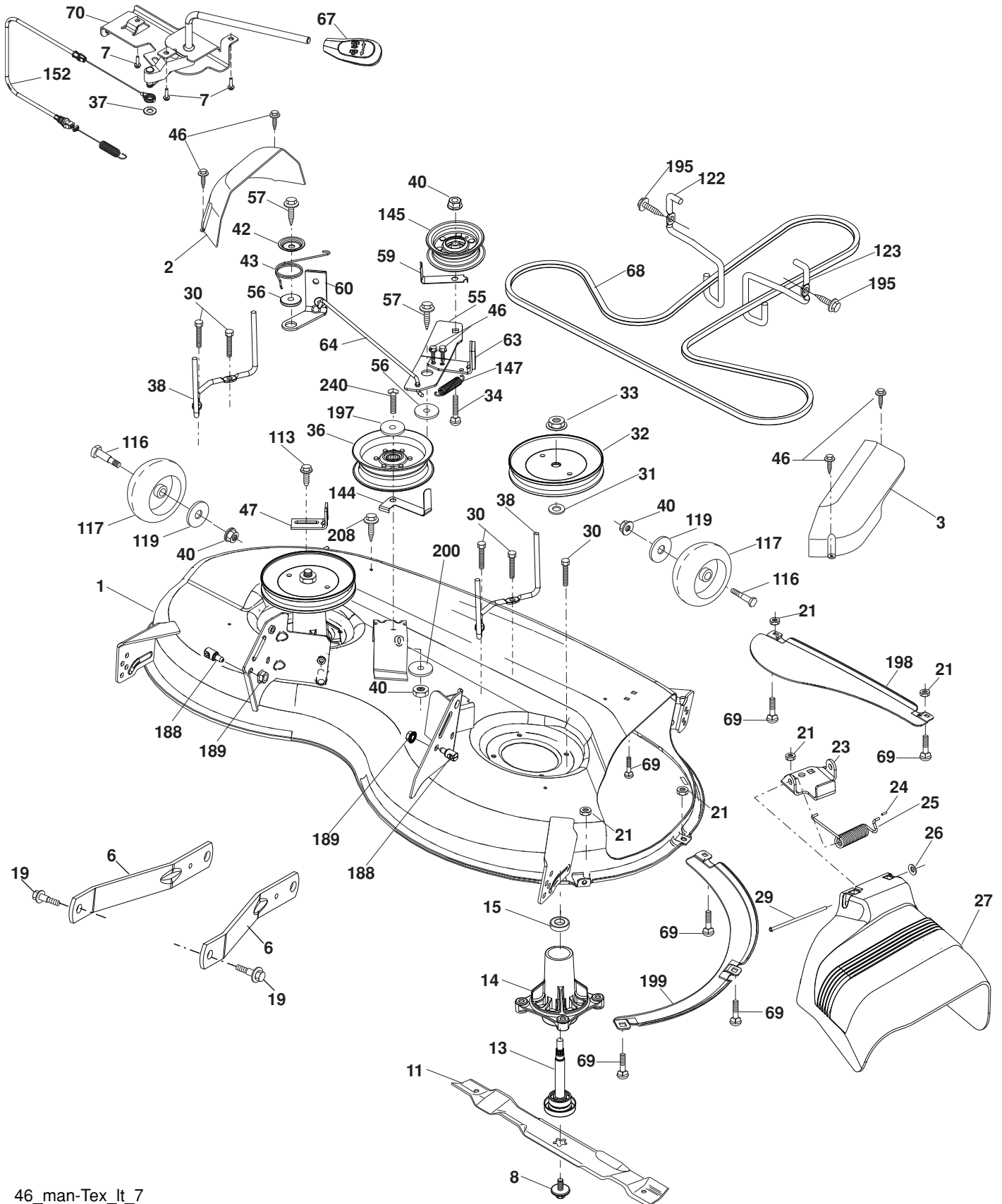


**TRACTOR - MODEL NO. 93603900 / A20K46YT (96046000300), PRODUCT NO. 960 46 00-03
STEERING ASSEMBLY**

ITEM NO.	MFG. NO.	ARIENS PART NO.	DESCRIPTION
1	414803X428	21546664	Wheel.Steering.Hard Rim.Black
2	418168	21546681	Axle Asm.Welded
4	403087	21546582	Spindle.Welded.LH.15"Tex
5	403088	21546583	Spindle.Welded.RH.15"Tex
6	6266h	21546750	Washer.Thrust..75 x 1.230
7	121748X	21546066	Washer.25/32 x 1-5/8 x 16ga.
8	12000029	21546053	Ring.Klip.#T5304-75
9	121232x	21546064	Cap.Spindle.Fr.Top.Blk.
13	121749x	21546067	Washer.25/32 x 1 1/4 x 16 ga.
14	10040600	21546003	Washer, Lock 3/8
15	73540600	21546782	Nut.Crownlock.3/8-24
16	408219	21546628	Shaft.Steer.3/4 Tex.Non-plated
19	194729	21546334	Plate.Steer.Ddl.Nlt/ngt
20	198375X428	21546475	Boot.Steering.Lt.Tex p/l.428
21	186737	21546234	Adapter.Wheel.Strg..760
22	194845	21546342	Bushing Asm Steering.Alum.Nlt
26	414854X428	21546665	Cap.Whl.Strg.Hrs/Srs.Black
28	17000612	21546181	Screw.Hexwsh Thdr 3/8-16 x 3/4.Bl
35	194732	21546335	Gear Sector.Plate.Ddl.Nlt/ngt
45	19183812	21546291	Washer.9/16id x 2-3/8od.12gzin
51	73940800	21546795	Nut.Hex.Jam.Toplock.1/2-20 unf
53	188967	21546272	Washer.Harden..793 x 1.637 x 060
57	407465	21546623	Bracket.Upstop.Tex
58	194747	21546339	Bolt.Shoulder.Sector.Pivot.Cfm
59	194748	21546340	Washer.Thrust.Sector.Steer.Nlt
60	73971000	21546797	Nut.Flange Lock.5/8-11
61	194740	21546337	Draglink.LH.Ballstud.Ddl.
62	194741	21546338	Draglink.RH.Ballstud.Ddl
63	17000512	21546180	Screw.5/16-18x3/4.Smgml.Tap/bl
64	199849	21546512	Retainer.Clip.Spring.Steering
66	71020748	21546754	Bolt.Hex.Fghd.7/16-14 X 3.Serr
67	194737	21546336	Bushing.Pm.Front Axle
68	73900700	21546791	Nut.Lock.Flange.7/16-14.Gr5
69	199162	21546483	Washer.1.5 x .505 x .118
70	196197	21546386	Bracket.Deck.Suspension.Front
74	3366R	21546550	Bearing.Col.Strg.Blk.

NOTE: All component dimensions given in U.S. inches
1 inch = 25.4 mm

**TRACTOR - MODEL NO. 93603900 / A20K46YT (96046000300), PRODUCT NO. 960 46 00-03
MOWER DECK**



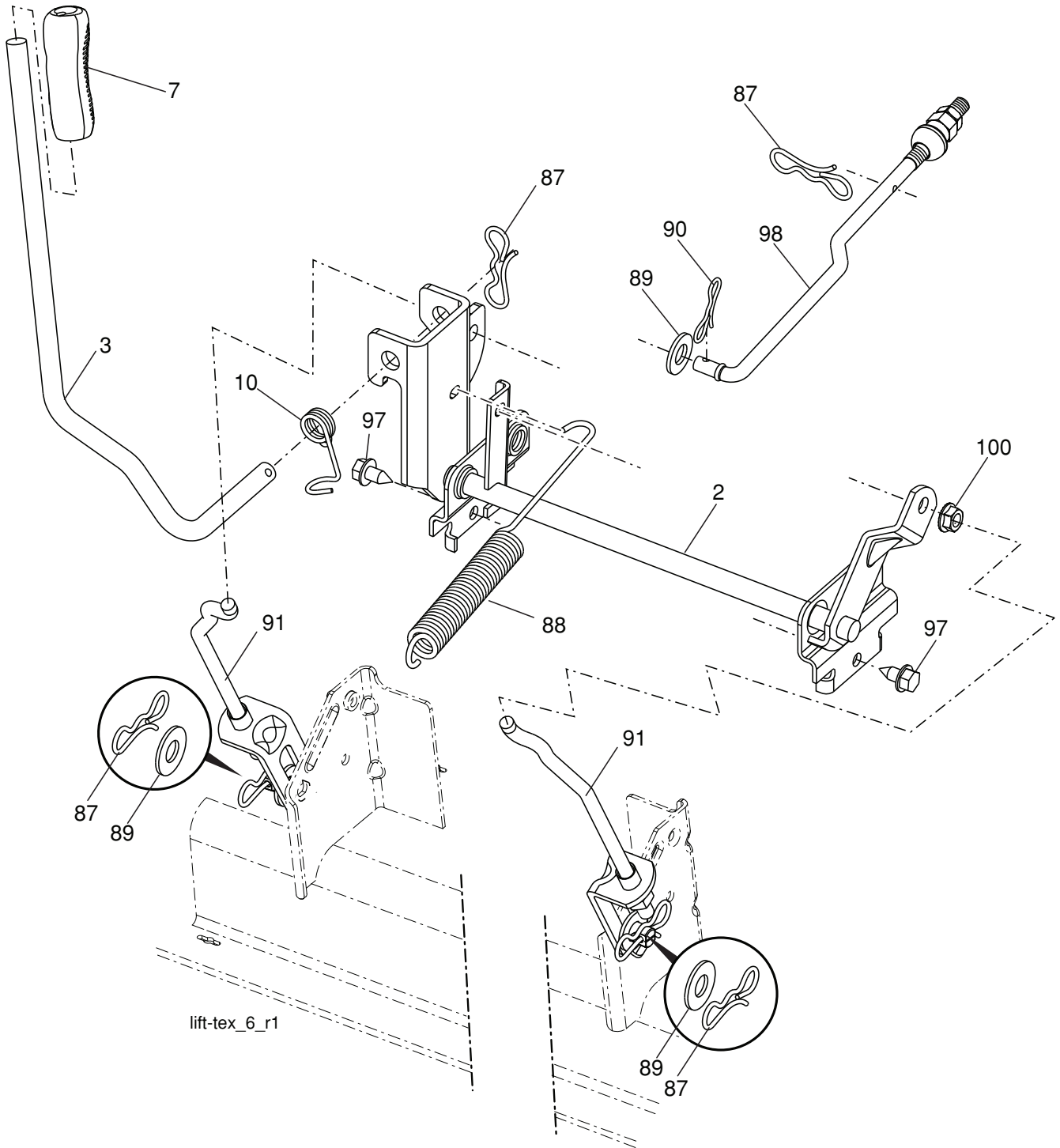
46_man-Tex_lt_7

**TRACTOR - MODEL NO. 93603900 / A20K46YT (96046000300), PRODUCT NO. 960 46 00-03
MOWER DECK**

ITEM NO.	MFG. NO.	ARIENS PART NO.	DESCRIPTION
1	405049X422	21546603	Deck.Weldment.46"4 Ga. Whl.Ms422
2	405506	21546617	Cover.Mandrel.RH.46"
3	405507	21546618	Cover.Mandrel.LH.46"
6	195186	21546347	Arm.Suspension.Mower.Rear.Ld
7	416358	21546675	Screw
8	193003	21546301	Bolt/Washer Asm.7/16-20.unf
11	405380	21546611	Blade.Mower.46"Hi Lift Bagger
13	192872	21546300	Shaft Asm.Mndrl.N/Greaseable38
14	187281	21546238	Housing.Mandrel.4pt.Service
15	110485X	21546046	Bearing.Ball.Mandrel
19	196539	21546411	Bolt.Shoulder
21	73680500	21546784	Nut, Hex, Crownlock 5/16-18
23	192557	21546296	Bracket.Deflector.38/42"2005
24	105304X	21546025	Cap.Sleeve..80 x.112.Blk.Mower
25	197026	21546416	Spring.Torsion.Dfl.38/42/46.Gr
26	110452X	21546045	Nut.Push.Phos.& Oil
27	405357	21546610	Shield.Deflector.Mower 46"Blk
29	131491	21546081	Rod.Hinge.42/46"
30	173984	21546192	Screw.Thd Roll.Dod Pt.Hex
31	187690	21546253	Washer.Spacer.Mandrel
32	197473	21546446	Pulley.Mandrel.5.438 Pd.42"
33	400234	21546554	Nut.Flange.Lock.Top
34	72110612	21546765	Bolt.Carr.Sh.3/8-16 x 1-1/2.Gr5
36	197379	21546440	Pulley.Idler.4.50.Raw
37	19131316	21546284	Washer.13/32 x 13/16 x 16 Ga.
38	199189	21546487	Keeper.Belt.LH.Mandrel.42/46"
40	73900600	21546790	Nut, Hex, Flangelock 3/8-16
42	197256	21546423	Spring.Torsion.Retainer
43	198410	21546478	Spring.Torsion.Brake
46	137729	21546091	Screw.Thd.Roll.1/4-20 x 5/8
47	197250	21546421	Bracket.Clutch.Cable
55	197249	21546419	Idler.Arm
56	199092	21546482	Spacer.Retainer
57	17000616	21546182	Screw.3/8-16x1.Smgml.Tap/R.Blk
59	141043	21546103	Guard.Tuv.Idler
60	199471	21546497	Arm.Brake.Mower.38/46"LH.Tex
63	199478	21546500	Arm.Brake.(Zinc)
64	405139	21546605	Linkage Asm.Brake.Clear Zinc
67	198398X428	21546476	Handle.Clutch.Cable.Lt Tex.428
68	405143	21546607	V-Belt.Drive.Mwr.Mechanical.46"
69	72140505	21546770	Bolt.Rdhd.Sqnk.5/16-18 x 5/8
70	199679	21546508	Spring.Return.Cruise
113	17000510	21546179	Bolt.5/16-18 Hex.Whs.Hd.Lckserr
116	193406	21546320	Bolt.Shoulder.3/8-16x3-5/8.Gr5
117	174873	21546197	Wheel.Gauge.Rally.
119	19132012	21546286	Washer.13/32 x 1-1/4 x 12 Ga.
122	197258	21546424	Keeper.Belt.Engine.LH.Lt.Tex
123	197259	21546426	Keeper.Belt.Engine.RH.Lt.Tex
144	199204	21546489	Keeper.Belt.Mower
145	177968	21546847	Pulley Idler
147	401872	21546577	Spring.Return.Deck.38/46"
152	408714	21546635	Cable.Clutch.Manual.w/Spr.
188	195161	21546343	Stud.Fastner.w/'D'anti-Rotatio
189	73900500	21546789	Nut, Lock Hex Flange 5/16-18 unc
195	17000612	21546181	Screw.Hexwsh Thdr3/8-16 x 3/4.Bl
197	19131312	21546283	Washer 13/32 x 13/16 x 12 Ga.
198	403149	21546584	Baffle.Center.Front
199	403150	21546586	Baffle.Front.RH
200	413524	21546651	Washer.13/32 x 1 x 1/2.11 Ga. Hrd
208	17670608	21546208	Screw.Thdrol.3/8-16 x 1/2.Tyt.Bl
240	74520636	21546799	Bolt.Fin.Hex.3/8-16 x 2-1/4 Gr5
--	192870	21546299	Mandrel Assembly (Includes housing, shaft assembly, and bearing only - pulley/nut/washer and blade bolt/washers not included)
--	423803	21546719	Deck.Svc.46"Hp.Cc.4gwb.Tex.422

NOTE: All component dimensions given in U.S. inches
1 inch = 25.4 mm

TRACTOR - MODEL NO. 93603900 / A20K46YT (96046000300), PRODUCT NO. 960 46 00-03
MOWER LIFT

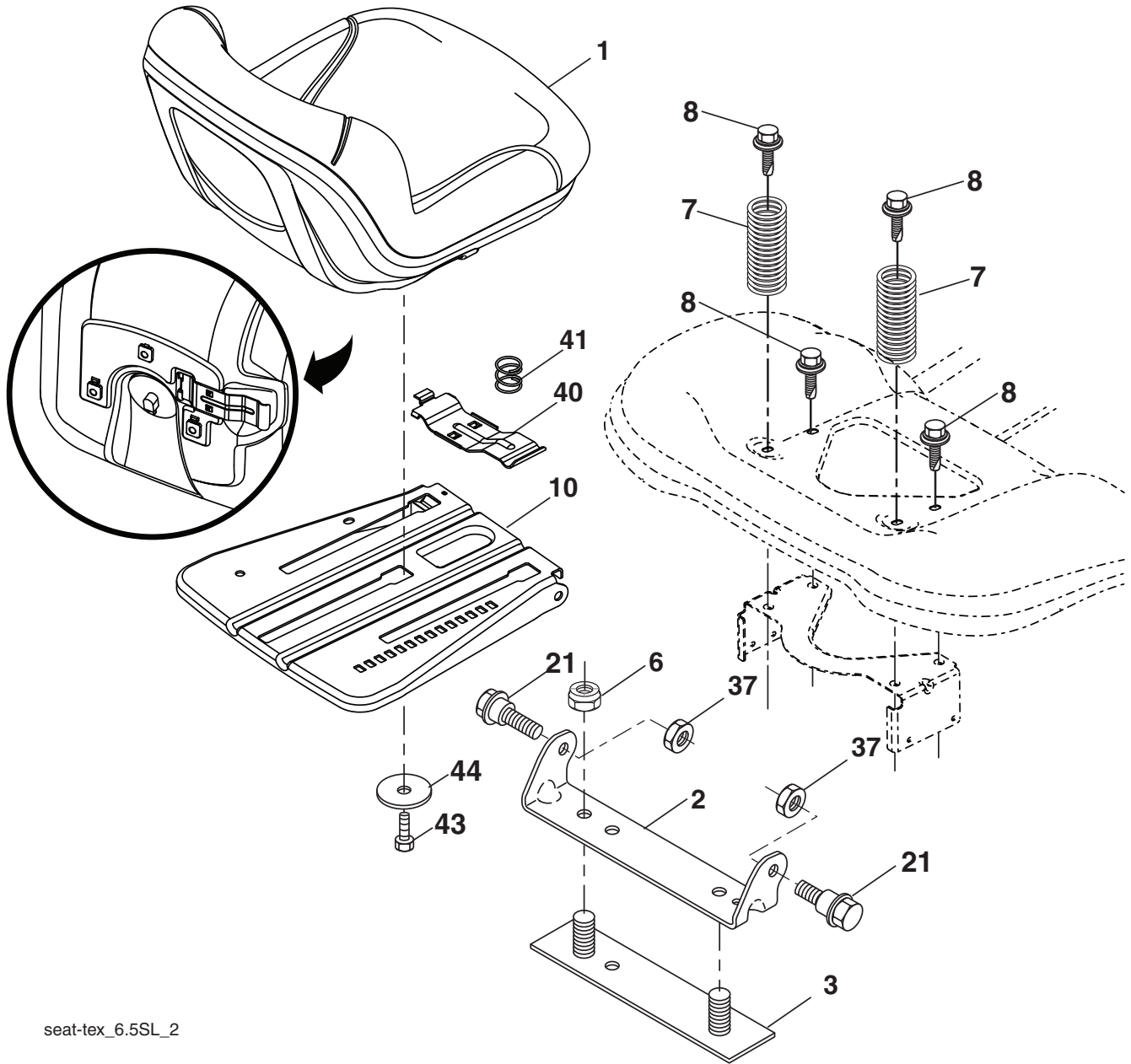


**TRACTOR - MODEL NO. 93603900 / A20K46YT (96046000300), PRODUCT NO. 960 46 00-03
MOWER LIFT**

ITEM NO.	MFG. NO.	ARIENS PART NO.	DESCRIPTION
2	195223	21546355	Shaft Asm.Lift.Cross.Hd.
3	195231	21546358	Lever.Lift.Handle.Lt
7	196492X428	21546408	Grip.Lever..5625 Ld.Black 428
10	196314	21546397	Spring.Torsion.Handle.Lift
87	194209	21546322	Pin.Cotter.7/16.Bow Tie Lock
88	410710	21546638	Spring.Lift Assist
89	19171912	21546290	Washer.17/32 x 1-3/16 x 12 Ga.
90	194208	21546321	Pin.Cotter.5/16.Bow Tie Lock
91	195181	21546344	Link Asm.Lift.LH.Rear
97	17000612	21546181	Screw.Hexwsh Thdr3/8-16 x 3/4.Bl
98	195270	21546360	Link Asm.Susp.Front.Mwr.11
100	73930600	21546794	Nut.Centerlock.3/8-16 unc

NOTE: All component dimensions given in U.S. inches
1 inch = 25.4 mm

TRACTOR - MODEL NO. 93603900 / A20K46YT (96046000300), PRODUCT NO. 960 46 00-03
SEAT ASSEMBLY



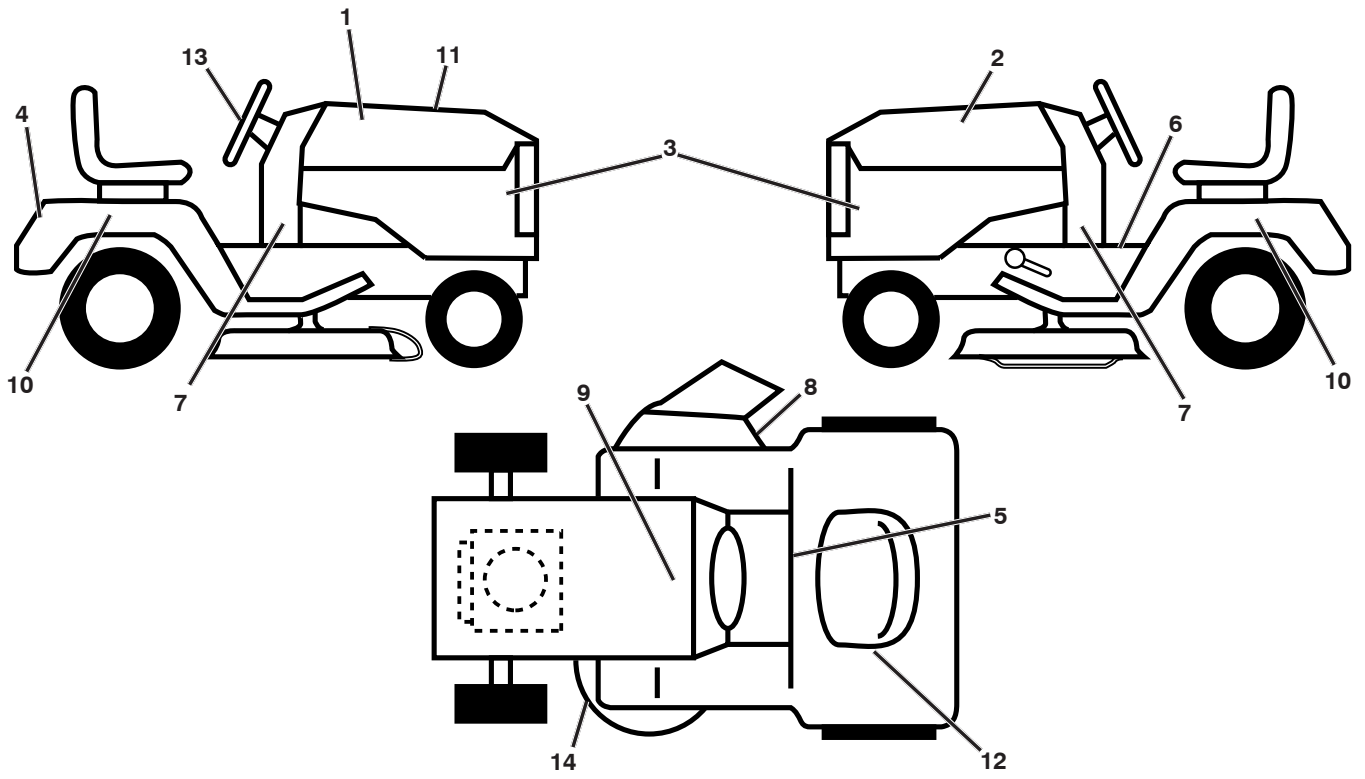
seat-tex_6.5SL_2

**TRACTOR - MODEL NO. 93603900 / A20K46YT (96046000300), PRODUCT NO. 960 46 00-03
SEAT ASSEMBLY**

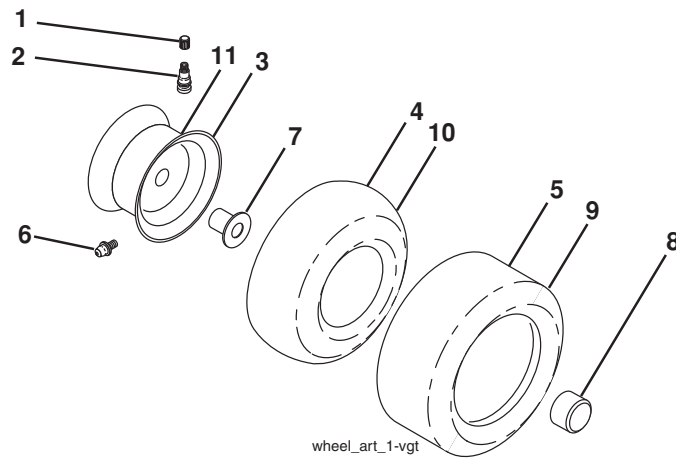
ITEM NO.	MFG. NO.	ARIENS PART NO.	DESCRIPTION
1	423010	21546703	Seat.Ta150.Kb/Sld.Blk.Ariens
2	180166	21546216	Bracket.Pivot.Fender.2002
3	140675	21546101	Strap Asm.Fender.94
6	73800600	21546787	Locknut, Washer Insert 3/8-16
7	124181X	21546074	Spring.Seat.Cprsn.2.250.Blk.Zi
8	171877	21546190	Bolt.5/16-18 unc x 3/4 w/Sems.Blk
10	196977	21546414	Pan Asm.Seat.3pt.
21	171852	21546189	Bolt.Shld.5/16-18 unc-2a.Blk D
37	73800500	21546786	Locknut, Washer Insert 5/16-18
40	197661	21546451	Handle.Slide.Seat.Tex.Milsco
41	198200	21546473	Spring.Latch.Seat.Tex
43	74760612	21546810	Bolt.Fin.Hex.3/8-16 unc x 3/4
44	19133812	21546288	Washer.13/32 x 2 3/8 x 12 Ga.

NOTE: All component dimensions given in U.S. inches
1 inch = 25.4 mm

**TRACTOR - MODEL NO. 93603900 / A20K46YT (96046000300), PRODUCT NO. 960 46 00-03
DECALS**



WHEELS AND TIRES



**TRACTOR - MODEL NO. 93603900 / A20K46YT (96046000300), PRODUCT NO. 960 46 00-03
DECALS**

ITEM NO.	MFG. NO.	ARIENS PART NO.	DESCRIPTION
1	422808	21546688	Decal.Hood.RH.Precision.Ariens
2	422809	21546689	Decal.Hood.LH.Precision.Ariens
3	422812	21546692	Decal.Sdpnl.Pwrdby Kohl.Ariens
4	422855	21546698	Decal.Fender.Rear.Ariens
5	422816	21546695	Decal.Flag
6	411658	21546639	Decal.Fender.Warning.Eng/Fr.07
7	422811	21546691	Decal.Dash.Lower.20hp.Ariens
8	170563	21546186	Decal.Mower.Warn.Keep Hand Awy
9	145005	21546109	Decal.Bat.Dan/Poi P/L Sym.Wpn
10	422813	21546693	Decal.Fender.Side.Hydro.Ariens
11	424088	21546725	Decal.Rpl.Kh(Sngl).Tlw.46.T2st
12	423830	21546720	Decal.Ethanol
13	422810	21546690	Decal.Wheel.Steer.Ariens
14	160396	21546145	Decal.V-Belt.Sch.42/46"Mec/Ele
--	166960	21546177	Decal.Bypass.Fender.Crd/Lt/Yt
--	193226X428	21546313	Pad.Footrest.LH.Tlt.Black.428
--	400981X428	21546566	Pad.Foot.Pedal.Control.Tlt.428
--	423811	21546855	Manual, Operator's (English/French)
--	423812	21546856	Manual, Parts (English/French)
--	424624	21546861	Manual, Operator's (Spanish)

NOTE: All component dimensions given in U.S. inches
1 inch = 25.4 mm

ITEM NO.	MFG. NO.	ARIENS PART NO.	DESCRIPTION
1	59192	21546747	Cap, Valve, Tire
2	65139	21546751	Stem, Valve
3	106732X428	21546038	Rim Assembly, Front
4	59904	21546748	Tube, Front
5	106222X	21546034	Tire, Front
6	278H	21546547	Fitting, Grease
7	9040H	21546832	Bearing, Flange
8	104757X428	21546024	Cap, Axle (Front Wheel Only)
9	420531	21546685	Tire, Rear 18 x 9.5-8 Turf Saver LT
10	7152J	21546755	Tube, Rear
11	106108X428	21546030	Rim Assembly, Rear
--	144334	21546845	Sealant, Tire (10 oz. Tube)

NOTE: All component dimensions given in U.S. inches
1 inch = 25.4 mm