



Operator's Manual

GTH-844

with
Maintenance
Information

Third Edition
Sixth Printing
Part No. 237108

Contents

Introduction	1
Symbol and Hazard Pictorials Definitions.....	5
General Safety	7
Work Area Safety.....	9
Legend	17
Controls.....	18
Inspections.....	22
Operating Instructions.....	33
Transport and Lifting Instructions	44
Maintenance	47
Attachments	51
Specifications.....	63
Load Charts	64

Copyright © 2012 by Terex Corporation

Third Edition: Sixth Printing, January 2015

Genie is a registered trademark of Terex South Dakota, Inc. in the U.S.A. and many other countries. "GTH" is a trademark of Terex South Dakota, Inc.

Complies with ANSI/ITSDF B56.6, CSA B335

Introduction

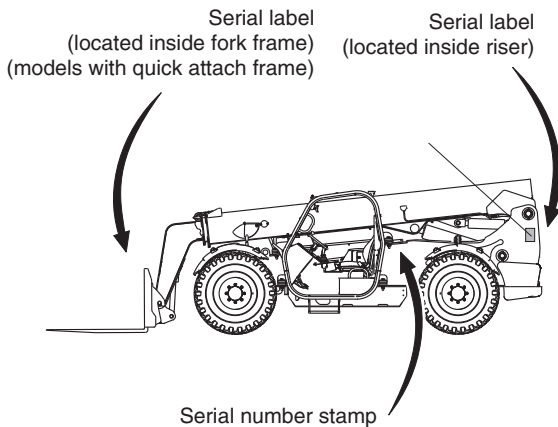
About this manual

Genie appreciates your choice of our machine for your application. Our number one priority is user safety, which is best achieved by our joint efforts. This book is an operation and daily maintenance manual for the user or operator of a Genie machine.

This manual should be considered a permanent part of your machine and should remain with the machine at all times. If you have any questions, contact Genie.

Product Identification

The machine serial number is located on the serial label.



Intended Use

A variable reach rough terrain forklift truck is defined as a wheeled type truck with a pivoting boom, which may be equipped with various attachments for picking, transporting and placing loads with the established load range charts.

Use of this product in any other way is prohibited and contrary to its intended use.

Bulletin Distribution and Compliance

Safety of product users is of paramount importance to Genie. Various bulletins are used by Genie to communicate important safety and product information to dealers and machine owners.

The information contained in the bulletins is tied to specific machines using the machine model and serial number.

Distribution of bulletins is based on the most current owner on record along with their associated dealer, so it is important to register your machine and keep your contact information up to date.

To ensure safety of personnel and the reliable continued operation of your machine, be sure to comply with the action indicated in a respective bulletin.

Introduction

Contacting the Manufacturer

At times it may be necessary to contact Genie. When you do, be ready to supply the model number and serial number of your machine, along with your name and contact information. At minimum, Genie should be contacted for:

Accident reporting

Questions regarding product applications and safety

Standards and regulatory compliance information

Current owner updates, such as changes in machine ownership or changes in your contact information. See Transfer of Ownership, below.

Transfer of Machine Ownership

Taking a few minutes to update owner information will ensure that you receive important safety, maintenance and operating information that applies to your machine.

Please register your machine by visiting us on the web at www.genielift.com or by calling us toll free at 1-800-536-1800.



Danger

Failure to obey the instructions and safety rules in this manual will result in death or serious injury.

Do Not Operate Unless:

- You learn and practice the principles of safe machine operation contained in this operator's manual.
 - 1 Avoid hazardous situations.**
Know and understand the safety rules before going on to the next section.
 - 2 Always perform a pre-operation inspection.
 - 3 Always perform function tests prior to use.
 - 4 Inspect the workplace.
 - 5 Only use the machine as it was intended.
- You read, understand and obey the manufacturer's instructions and safety rules—safety and operator's manuals and machine decals.
- You read, understand and obey employer's safety rules and worksite regulations.
- You read, understand and obey all applicable governmental regulations.
- You are properly trained to safely operate the machine.

Introduction

Hazard Classification

Decals on this machine use symbols, color coding and signal words to identify the following:



Safety alert symbol—used to alert you to potential personal injury hazards. Obey all safety messages that follow this symbol to avoid possible injury or death.

▲ DANGER

Indicates a hazardous situation which, if not avoided, will result in death or serious injury.

▲ WARNING

Indicates a hazardous situation which, if not avoided, could result in death or serious injury.

▲ CAUTION

Indicates a hazardous situation which, if not avoided, could result in minor or moderate injury.

NOTICE

Indicates a property damage message.

Standards

Many aspects of rough terrain forklift operation and testing are discussed in standards published by the American National Standards Institute and the Industrial Truck Standards Development Foundation. These standards are updated on a regular basis with addenda. It is recommended that you purchase and refer to the following standards.

ANSI/ITSDF B56.6 - Rough Terrain Forklift Trucks

The ANSI standard can be downloaded from www.ITSDF.org

CSA B335 - Safety Standard for Lift Trucks

The CSA standard can be downloaded from www.csa.ca

Introduction



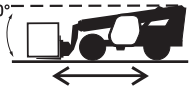



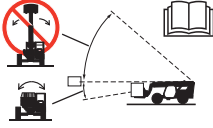
Safety Sign Maintenance

Replace any missing or damaged safety signs. Keep operator safety in mind at all times. Use mild soap and water to clean safety signs. Do not use solvent-based cleaners because they may damage the safety sign material.

Symbol and Hazard Pictorials Definitions

				
Electrocution hazard	Maintain required clearance	Crush hazard	No people under load	Read the operator's manual
				
Injection hazard	Use a piece of cardboard or paper to search for leaks	Maintain required clearance	Crush hazard	Always wear seat belt
				
Tip-over hazard	Tip-over hazard	Crush hazard	Keep away from moving parts	Crush hazard
				
Keep away from moving parts	Burn hazard	Do not loosen cap until cool.	Explosion / Burn hazard	No smoking. No open flame.
				
Burn hazard	Allow surfaces to cool	Crush hazard	Keep away from moving parts	Only trained maintenance personnel should access compartments

Symbol and Hazard Pictorials Definitions

 <p>Explosion / Burn hazard</p>	 <p>No smoking. No open flame.</p>	 <p>Keep load low</p>	 <p>Fall hazard</p>	 <p>Only use an approved work platform</p>
 <p>Refer to load charts and manual.</p>	 <p>Sway operation</p>			

Work Area Safety

⚠ Overturning Hazards



Using the appropriate load chart for the machine configuration, confirm that the load is within the rated capacity of the machine. Do not exceed the rated load.

The load center on the fork (if equipped) must be equal to or less than the load center indicated on the load chart. If the load center is further from the fork face than shown on the load chart, refer to the Load Chart section of this manual.

All loads shown on the load chart are based on the machine being on firm, level ground, the frame being level, the forks being positioned evenly on the carriage, the load being centered on the forks, the tires being properly sized and properly inflated, and the telehandler being in good operating condition.

If using accessories, read, understand and obey the decals, instructions and manuals with the accessory.

Do not raise the load unless the ground can support all forces imposed by the machine.

Do not lower a load without retracting the boom first.

Do not operate the machine if the load chart is missing.

Do not exceed the rated capacity for each configuration.

Do not attempt to jump free of the machine during a tip-over. The ROPS (Roll Over Protective Structure) is designed to protect you.



If the telehandler starts to tip over:

- Do not jump
- Brace yourself and stay in the seat
- Keep your seat belt fastened
- Hold on firmly
- Lean away from the point of impact



Do not raise the boom unless the machine is level. The machine level indicator should be at zero degrees.

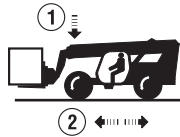
Do not level the machine using the frame sway control unless the boom angle indicator is at zero degrees or less.



Do not use the sway control to position an elevated load.

Work Area Safety

Do not raise a load and then drive to position it.



When driving, keep the boom at or below horizontal and keep the load close to the ground.

Operate the machine at speeds that will keep the load under control. Start and stop movements smoothly.



Do not raise a load unless the load is properly positioned or secured on the forks or approved attachment.

Do not operate the machine in strong or gusty winds. Do not increase the surface area of the carriage or load. Increasing the area exposed to the wind will decrease machine stability.

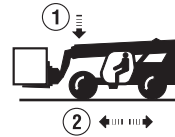
Use extreme care and slow speeds while driving the machine in the travel position across uneven terrain, steep grades, debris, unstable or slippery surfaces and near holes and drop-offs.

Do not alter or disable machine components that in any way affect safety and stability.

Do not replace items critical to machine stability with items of different weight or specification.

Do not replace factory-installed tires with tires of different specification or ply rating, unless approved by the factory.

▲ Traveling on Slopes Hazards



When driving, keep the boom at or below horizontal and keep the load close to the ground.

When the machine is loaded, always travel with the load uphill. When the machine is unloaded, travel with the forks or attachment downhill.

On steep terrain, drive only up and down a hill, and always keep the machine in gear. Do not turn across the slope when the machine is traveling up or down a slope.

Limit travel path and speed according to the condition of the ground surface, traction, slope, location of personnel and any other factors which may create a hazard. Never drive the machine unless the mast and equipment are in their proper travel position.

Whether a machine will tip over during dynamic machine operation involves many factors that need to be considered. Among these are pavement/ground conditions, stability and slope, as well as machine equipment, operator skill, load position, tire inflation, machine speed, etc.

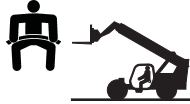
Additionally, tip-over of a machine is dependent in large part upon operator inputs such as the speed and smoothness of the operation, as well as the position of the attachment and its load.

Construction sites and roads will frequently change slope from place to place, can be hard and soft, and change due to construction activities and weather.

Operators should be properly trained and use their best judgment and experience to take the necessary precautions to prevent a tip-over. Operators must assess the job site variables and avoid exceeding the machine's (or operator's) capabilities for terrain and conditions.

Work Area Safety

⚠ Fall Hazards



Always wear a seat belt when operating the machine.

Always remain completely inside the cab when operating the machine.

When getting in and out of the cab, face the machine, use the steps and handrails provided and always maintain three-point contact.

Do not use the steering wheel or any other controls as handrails.

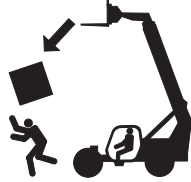


Do not allow riders on the machine or forks.



Do not lift personnel with this machine unless it is equipped with an approved work platform. See Work Platform section.

⚠ Collision Hazards



Keep people, equipment and material out of the work area. Do not operate the machine while people are under or near an elevated boom, whether it is loaded or unloaded.

Do not put the transmission into gear unless the brake is applied and personnel and bystanders are clear of the machine and load.

Do not drive the machine if visibility is obstructed.

Do not raise the boom unless the brake is applied.

Do not operate, without fenders, in conditions where loose debris could hit the operator or accumulate on the cab windows.

Do not operate the machine with a faulty back-up alarm. The back-up alarm should sound when the machine is in reverse.

Do not operate the machine in low light conditions. An optional work and road light package is available.

Operators must comply with employer, job site and governmental rules regarding use of personal protective equipment.

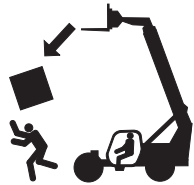
Do not drive the machine directly up to anyone.

Always make sure that mirrors and cab glass are clean and do not obstruct the operators view of the travel path or load.

Work Area Safety

▲ Falling Object Hazards

Operate the machine at speeds that will keep the load under control. Start and stop movements smoothly.



Keep people, equipment and material out of the work area. Do not operate the machine while people are under or near an elevated boom, whether it is loaded or unloaded.

Be sure the load is secure before lifting it. Always make sure the quick attach pin is inserted and secured.

▲ Bodily Injury Hazards



Always adjust the seat and fasten the seat belt before starting the engine.



Do not operate the machine with a hydraulic oil or air leak. An air leak or hydraulic leak can penetrate and/or burn skin. Relieve pressure before disconnecting hydraulic lines. Keep away from leaks and pin holes. Use a piece of cardboard or paper to search for leaks. Do not use your hand.



Fluid injected into skin must be surgically removed within a few hours by a doctor familiar with this type of injury or gangrene will result.



Stay clear of belts and fans when the engine is running.

Always operate the machine in a well-ventilated area to avoid carbon monoxide poisoning.

Improper contact with components under any cover will cause serious injury. Only trained maintenance personnel should access compartments. Access by the operator is only advised when performing a pre-operation inspection. All compartments must remain closed and secured during operation.

Keep body parts, such as hand, fingers and arms, away from moving components.

Always use provided latches and handles for opening and closing doors and covers.

Work Area Safety

⚠ Damaged Machine Hazards

Do not use a damaged or malfunctioning machine.

Conduct a thorough pre-operation inspection of the machine and test all functions before each work shift. Immediately tag and remove from service a damaged or malfunctioning machine.

Be sure all maintenance has been performed as specified in this manual and the appropriate Genie service manual.

Be sure all decals are in place and legible.

Be sure the operator's and safety manuals are complete, legible and in the storage container located in the cab.

Do not attempt to start the machine by towing or pushing.

Do not attempt to use the forks or attachments for prying wedged or frozen loads free.

Do not push or pull objects or loads with the forks, attachment or boom.

⚠ Component Damage Hazards

Do not use any battery or charger greater than 12V to jump-start the engine.

Do not use the machine as a ground for welding.

Do not steer the front tires on dry pavement when the axle differential lock is activated.

Do not lock the axle differential when the machine is moving.

For machines equipped with solid tires, do not operate continuously for longer than one hour without allowing the tires to cool down for 30 minutes.

Work Area Safety

⚠️ Crush Hazards

Keep clear of moving parts during machine operation and make sure personnel and bystanders are kept clear of moving parts during operation.

Set the parking brake, put the transmission in neutral and lower the carriage or the attachment to the ground before leaving the machine.

Keep clear of elevated components.

Support components before performing service. Keep clear of moving parts during machine operation and make sure personnel and bystanders are kept clear of moving parts during operation.

⚠️ Burn Hazards



Allow hot surfaces to cool before touching or servicing.

⚠️ Explosion and Fire Hazards

Do not start the engine if you smell or detect liquid petroleum gas (LPG), gasoline, diesel fuel or other explosive substances.

Do not refuel the machine with the engine running.



Refuel the machine and charge the battery only in an open, well-ventilated area away from sparks, flames and lighted tobacco.

Do not operate the machine in hazardous locations or locations where potentially flammable or explosive gases or particles may be present.

Do not spray ether into engines equipped with glow plugs or air intake grid heaters.

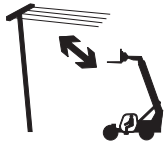
Work Area Safety

⚠ Electrocuting Hazards

This machine is not electrically insulated and will not provide protection from contact with or proximity to electrical current.



Obey all local and governmental regulations regarding required clearance from electrical power lines. At a minimum, the required clearance contained in the chart below must be followed.



Always contact the electrical power line owner. The electrical power shall be disconnected or the power lines moved or insulated before machine operations begin.

Allow for boom and attachment movement, electrical line sway or sag, and beware of strong or gusty winds.

Keep away from the machine if it contacts energized power lines. Personnel on the ground or in the cab must not touch or operate the machine until energized power lines are shut off.

Do not operate the machine during lightning or storms.

Line Voltage	Required Clearance	
0 to 50KV	10 ft	3.05 m
>50 to 200KV	15 ft	4.60 m
>200 to 350KV	20 ft	6.10 m
>350 to 500KV	25 ft	7.62 m
>500 to 750KV	35 ft	10.67 m
>750 to 1000KV	45 ft	13.72 m
over 1000kV	see below	

For power lines over 1000kV, the minimum clearance distance must be established by the utility owner or operator or by a registered professional engineer who is a qualified person with respect to electrical power transmission and distribution.

Do not use the machine as a ground for welding.

Work Area Safety

⚠ Battery Safety

Burn Hazards



Batteries contain acid. Always wear protective clothing and eye wear when working with batteries.

Avoid spilling or contacting battery acid. Neutralize battery acid spills with baking soda and water.

Explosion Hazards



Keep sparks, flames and lighted tobacco away from batteries. Batteries emit explosive gas.

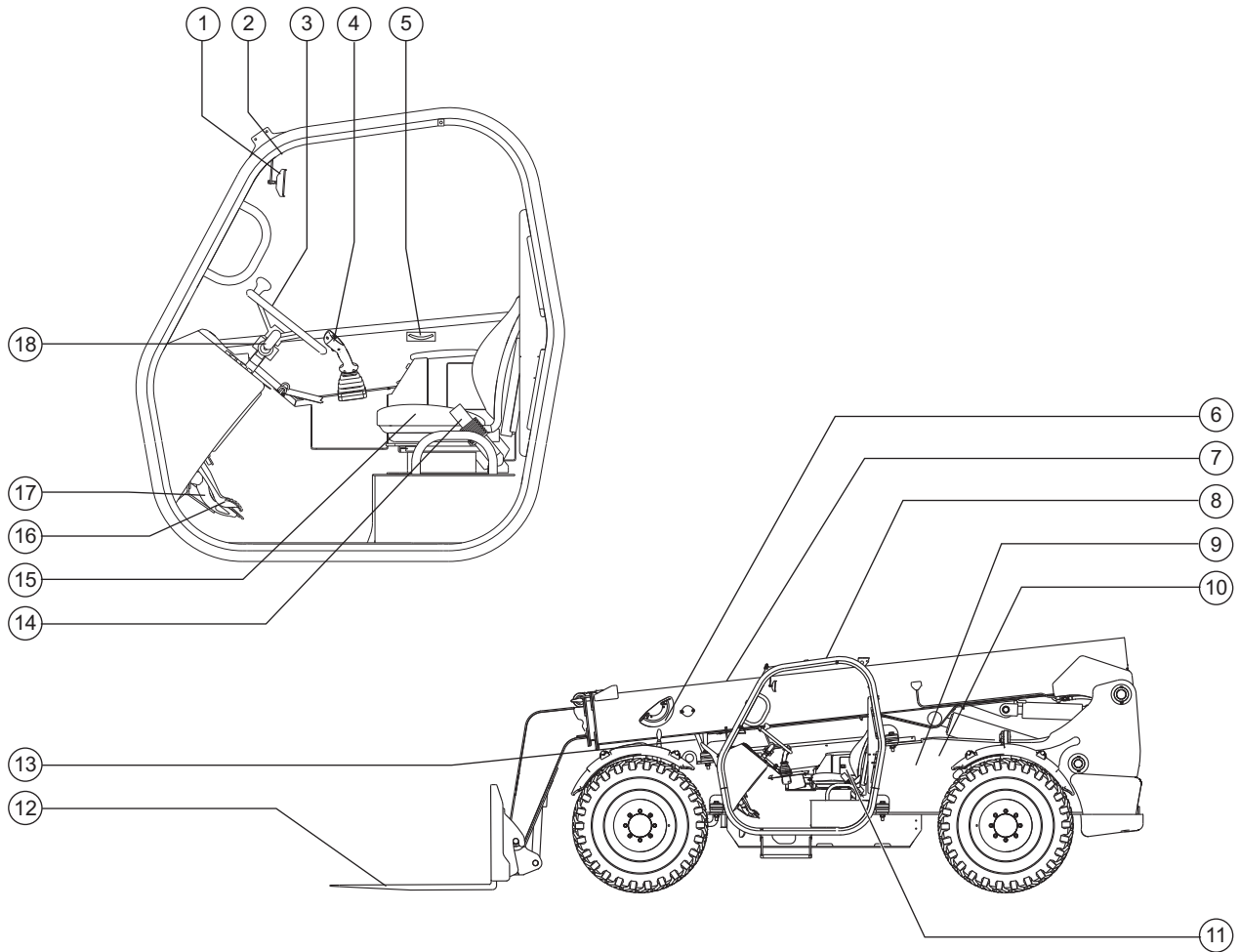
⚠ Employer's Responsibilities

Employers are responsible for providing a safe work environment and for complying with local and national governmental regulations.

⚠ Electrocutation Hazard

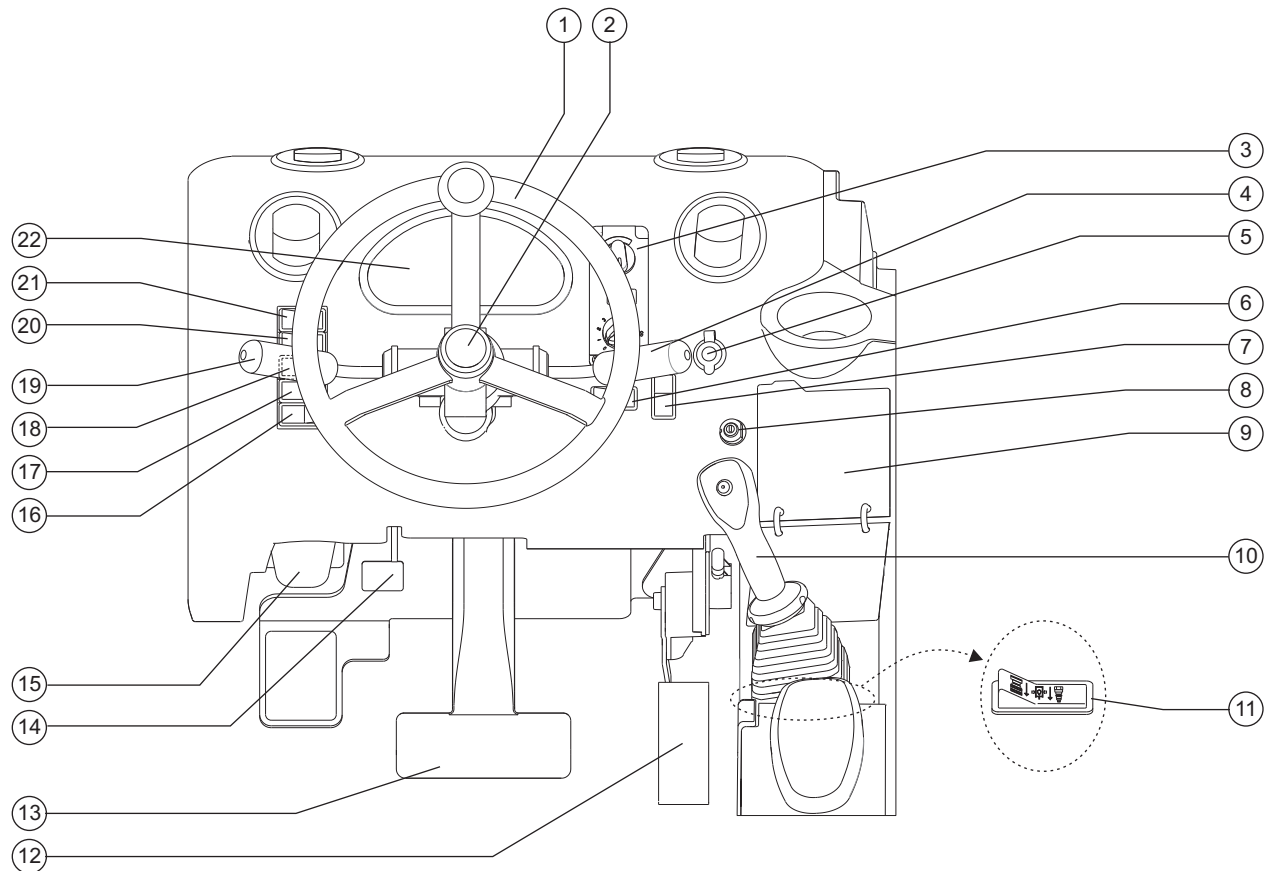
Avoid contact with electrical terminals.

Legend



- | | |
|---|---|
| 1 Interior rear view mirror | 10 Engine (on opposite side of machine) |
| 2 Left to right level indicator | 11 Fuse panel |
| 3 Steering wheel | 12 Forks |
| 4 Control handle | 13 Exterior rear view mirror |
| 5 Front to rear level indicator | 14 Seat belt |
| 6 Boom angle indicator | 15 Seat |
| 7 Boom | 16 Brake pedal |
| 8 Cab | 17 Accelerator pedal |
| 9 Hydraulic oil level gauge (under cover) | 18 Transmission control lever |

Controls



Control Panel

- | | |
|--|---|
| 1 Steering wheel | 12 Accelerator pedal |
| 2 Horn button | 13 Brake pedal |
| 3 Heater and air conditioning controls (if equipped) | 14 Tilt steering pedal |
| 4 Turn signal lever (if equipped) | 15 Axle differential lock pedal |
| 5 12V power port, 10A maximum | 16 Windshield washer/wiper switch (if equipped) |
| 6 Steer select switch | 17 Skylight washer/wiper switch (if equipped) |
| 7 Parking brake switch | 18 Lights switch (if equipped) |
| 8 Ignition switch | 19 Transmission control lever |
| 9 Load charts | 20 Not used |
| 10 Control handle | 21 Not used |
| 11 Auxiliary hydraulics switch (if equipped) | 22 Instrument panel |

Controls

- 1 **Steering wheel**

Turn the steering wheel to the right to turn the front wheels to the right. Turn the steering wheel to the left to turn the front wheels to the left.
- 2 **Horn button**

Press this button and the horn will sound. Release the button and the horn will stop.
- 3 **Heater and air conditioning controls (if equipped)**
- 4 **Turn signal lever (if equipped)**

Move the lever up to activate the left turn signal. Move the lever down to activate the right turn signal. Turn the lever to turn on the hazard lights.
- 5 **12V power port, 10A maximum**
- 6 **Steer select switch**

Push down the right side of the rocker switch to select four-wheel steer. Push the rocker switch to the middle position to select two-wheel steer. Push down the left side of the rocker switch to select crab steer.
- 7 **Parking brake switch**

Push the top of the rocker switch to turn the parking brake on. The light will be on when the parking brake is on. Push the bottom of the rocker switch to turn the parking brake off. The light will be off when the parking brake is off.
- 8 **Ignition switch**

Turn the key to the left to turn on the accessories. Turn the key to the on position and hold until the glow plug light on the instrument panel turns off. Turn the key to the start position to start the engine.
- 9 **Load charts**
- 10 **Control handle (single)**

Pull the control handle back and the boom will raise. Push the control handle forward and the boom will lower. Push the control handle to the right and the boom will extend. Pull the control handle to the left and the boom will retract. Hold down the red thumb switch and pull the control handle back and the forks will tilt up. Hold down the red thumb switch and push the control handle forward and the forks will tilt down. Hold the white finger switch and push the control handle to the right and the machine will sway to the right. Hold the white finger switch and pull the control handle to the left and the machine sway to the left.
- 11 **Auxiliary hydraulics switch (if equipped)**

Push the left side of the auxiliary hydraulics button and the carriage will swing or rotate to the left. Push the right side of the auxiliary hydraulics button and the carriage will swing or rotate to the right.
- 12 **Accelerator pedal**

Controls

13 Brake pedal

14 Tilt steering pedal

Push and hold the tilt steering pedal to release the steering column. Move the steering wheel to desired position and release the pedal.

15 Axle differential lock pedal

Push and hold the axle differential lock pedal to lock the axle differential. Release the pedal to unlock the axle differential.

16 Windshield washer/wiper switch (if equipped)

Push the right side of the rocker switch to turn the wiper on. Push and hold the right side of the rocker switch to turn the washer on. Release the switch to turn the washer off. Push the left side of the rocker switch to turn the wiper off.

17 Skylight washer/wiper switch (if equipped)

Push the right side of the rocker switch to turn the wiper on. Push and hold the right side of the rocker switch to turn the washer on. Release the switch to turn the washer off. Push the left side of the rocker switch to turn the wiper off.

18 Lights switch (if equipped)

Push the right side of the rocker switch to turn the road lights or the work lights on. Push the left side of the rocker switch to turn the road lights or the work lights off.

19 Transmission control lever

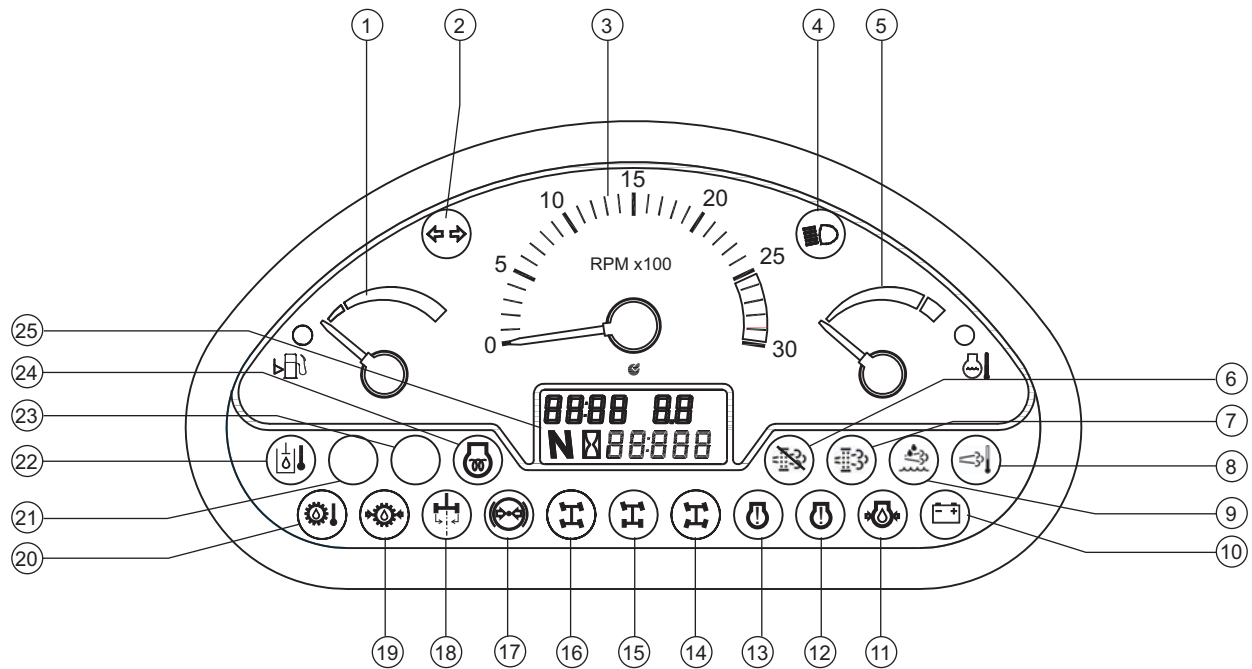
Move the transmission control lever toward you and move it up for forward gear. Move the lever toward you and move it down for reverse gear. Move the lever to the center position for neutral. Turn the lever clockwise to shift to a lower speed. Turn the lever counterclockwise to shift to a higher speed.

20 Not used

21 Not used

22 Instrument panel

Controls



Instrument Panel

- | | |
|--|--|
| 1 Fuel level gauge with low fuel indicator light | 14 Four-wheel steer indicator light |
| 2 Turn signal indicator lights | 15 Two-wheel steer indicator light |
| 3 Tachometer | 16 Crab steer indicator light |
| 4 Lights indicator light | 17 Brake pressure low indicator light |
| 5 Engine coolant temperature gauge | 18 Rear wheels centered indicator light (if equipped) |
| 6 Engine emissions regeneration disabled indicator light | 19 Transmission oil pressure low indicator light |
| 7 Engine emissions regeneration indicator light | 20 Transmission oil temperature high indicator light |
| 8 Engine emissions system temperature | 21 Not used |
| 9 Urea level low indicator light (if equipped) | 22 Hydraulic oil temperature indicator light (if equipped) |
| 10 Battery voltage low indicator light | 23 Not used |
| 11 Engine oil pressure low indicator light | 24 Glow plug indicator light |
| 12 Check engine indicator light | 25 Engine hour meter and fault code display |
| 13 Engine stop indicator light | |

Inspections



Do Not Operate Unless:

- You learn and practice the principles of safe machine operation contained in this operator's manual.
 - 1 Avoid hazardous situations.
 - 2 Always perform a pre-operation inspection.**
- Know and understand the pre-operation inspection before going on to the next section.**
- 3 Always perform function tests prior to use.
- 4 Inspect the workplace.
- 5 Only use the machine as it was intended.

Pre-operation Inspection Fundamentals

It is the responsibility of the operator to perform a pre-operation inspection and routine maintenance.

The pre-operation inspection is a visual inspection performed by the operator prior to each work shift. The inspection is designed to discover if anything is apparently wrong with a machine before the operator performs the function tests.

The pre-operation inspection also serves to determine if routine maintenance procedures are required. Only routine maintenance items specified in this manual may be performed by the operator.

Refer to the list on the next page and check each of the items.

If damage or any unauthorized variation from factory delivered condition is discovered, the machine must be tagged and removed from service.

Repairs to the machine may only be made by a qualified service technician, according to the manufacturer's specifications. After repairs are completed, the operator must perform a pre-operation inspection again before going on to the function tests.

Scheduled maintenance inspections shall be performed by qualified service technicians, according to the manufacturer's specifications and the requirements listed in the responsibilities manual.

Inspections

Pre-operation Inspection

- Be sure that the operator's and safety manuals are complete, legible and in the storage container located in the cab.
- Be sure that all decals are legible and in place. See Inspections section.
- Check for hydraulic oil leaks and proper oil level. Add oil if needed. See Maintenance section.
- Check for battery fluid leaks and proper fluid level. Add distilled water if needed. See Maintenance section.
- Check the transmission oil level. Add oil if needed. See Maintenance section.
- Check for engine oil leaks and proper oil level. Add oil if needed. See Maintenance section.
- Air-filled tires models: Check for proper tire pressure. Add air if needed. See Maintenance section.

Check the following components or areas for damage, improperly installed or missing parts and unauthorized modifications:

- Electrical components, wiring and electrical cables
- Hydraulic hoses, fittings, cylinders and manifolds
- Fuel and hydraulic tanks
- Drive motors and drive hubs
- Boom wear pads
- Tires and wheels
- Engine and related components

- Limit switches
- Steer and axle sensors
- Lights, alarms and beacons (if equipped)
- Pins, nuts, bolts and other fasteners

Check entire machine for:

- Cracks in welds or structural components
- Dents or damage to machine
- Excessive rust, corrosion or oxidation
- Be sure that all structural and other critical components are present and all associated fasteners and pins are in place and properly tightened.
- Be sure the windshield and windows (if equipped) are clean and free of obstructions that might limit visibility.
- After you complete your inspection, be sure that all guards, screens and compartment covers are in place and secured.

Inspections



Do Not Operate Unless:

- You learn and practice the principles of safe machine operation contained in this operator's manual.
 - 1 Avoid hazardous situations.
 - 2 Always perform a pre-operation inspection.
 - 3 Always perform function tests prior to use.**

Know and understand the function tests before going on to the next section.

- 4 Inspect the workplace.
- 5 Only use the machine as it was intended.

Function Test Fundamentals

The function tests are designed to discover any malfunctions before the machine is put into service. The operator must follow the step-by-step instructions to test all machine functions.

A malfunctioning machine must never be used. If malfunctions are discovered, the machine must be tagged and removed from service. Repairs to the machine may only be made by a qualified service technician, according to the manufacturer's specifications.

After repairs are completed, the operator must perform a pre-operation inspection and function tests again before putting the machine into service.

Inspections

Function Tests

- 1 Select a test area that is firm, level and free of obstruction. Be sure there is no load on the forks or attachment.
- 2 Enter the cab and sit on the seat.
- 3 Adjust the seat and steering column, if needed.
- 4 Fasten the seat belt.
- 5 Adjust the mirrors, if required.
- 6 Be sure the parking brake is on and the transmission control is in neutral.
- 7 Start the engine. See Starting the Engine in the Operating Instructions section.

Test the Single Control Handle (if equipped)

- 8 Using the control handle, momentarily raise the boom, extend the boom, retract the boom and lower the boom.
 - ⊙ Result: All functions should operate smoothly.
- 9 Using the control handle and the red thumb switch, momentarily tilt the forks up and tilt the forks down.
 - ⊙ Result: All functions should operate smoothly.
- 10 Using the control handle and the white finger switch, momentarily sway the machine to the right and to the left.
 - ⊙ Result: The frame level function should operate smoothly.

Test the Dual Control Handles (if equipped)

- 11 Using the boom control handle, momentarily raise the boom, extend the boom, retract the boom and lower the boom.
 - ⊙ Result: All functions should operate smoothly.
- 12 Using the tilt and sway control handle, momentarily tilt the forks up and tilt the forks down.
 - ⊙ Result: All functions should operate smoothly.
- 13 Using the tilt and sway control handle, momentarily sway the machine to the right and to the left.
 - ⊙ Result: All functions should operate smoothly.

Inspections

Test the Steering

- 14 Push the right side of the steer selector switch to select four-wheel steer. The four-wheel steer indicator light on the instrument panel will be on.
- 15 Check the steering operation by turning the steering wheel approximately $\frac{1}{4}$ turn in each direction.
 - ⊙ Result: The front wheels should turn in the same direction as the steering wheel. The rear wheels should turn in the opposite direction.
- 16 Straighten the wheels.
- 17 Push the steer selector switch to the middle position to select two-wheel steer. The two-wheel steer indicator light on the instrument panel will be on.
- 18 Check the steering operation by turning the steering wheel approximately $\frac{1}{4}$ turn in each direction.
 - ⊙ Result: The front wheels should turn in the same direction as the steering wheel. The rear wheels should not turn.
- 19 Straighten the wheels.
- 20 Push the left side of the steer selector switch to select crab steer. The crab steer indicator light on the instrument panel will be on.
- 21 Check the steering operation by turning the steering wheel approximately $\frac{1}{4}$ turn in each direction.
 - ⊙ Result: The front wheels and the rear wheels should turn in the same direction as the steering wheel.

Test the Transmission and Brakes

- 22 Be sure the boom is fully lowered and retracted.
- 23 Step on the brake pedal. Push the bottom of the parking brake switch to turn it off.
- 24 Move the transmission control lever to forward. Slowly let up on the brake pedal. As soon as the machine starts to move, push the brake pedal.
 - ⊙ Result: The machine should move forward, and then come to an abrupt stop.
- 25 Move the transmission control lever to reverse. Slowly let up on the brake pedal. As soon as the machine starts to move, push the brake pedal.
 - ⊙ Result: The machine should move in reverse, and then come to an abrupt stop. The back-up alarm should sound when the transmission control lever is in reverse.

Inspections

- 26 Move the transmission control lever to neutral.
- 27 Push the top of the parking brake switch.
 - ⊙ Result: The red parking brake indicator light should come on, indicating the parking brake is on.
- 28 Move the transmission control lever forward, and then in reverse.
 - ⊙ Result: The machine should not move.

Test the Drive and Sway Cutout

- 29 Raise the boom to 55°. Do not extend the boom.
- 30 Step on the brake pedal.
- 31 Push the bottom of the parking brake switch. The parking brake is off when the indicator light is off.
- 32 Put the transmission control lever in forward.
 - ▲ Slowly let up on the brake pedal.
 - ⊙ Result: The drive function should not operate.
- 33 Put the transmission control lever in neutral.
- 34 Push the top of the parking brake switch.
 - ▲ Slowly sway the machine to the left and to the right.
 - ⊙ Result: The sway function should not operate.

Test the Lights (if equipped)

- 35 Verify that all lights are functional.

Test the 2-speed Transmission (if equipped)

- 36 Retract and lower the boom to the stowed position.
- 37 Drive the machine forward. Rotate the control lever to shift the transmission to second gear.
 - ⊙ Result: The machine should shift to second gear.
- 38 Rotate the control lever to shift the transmission to third gear.
 - 39 Result: The transmission should not shift to third gear.

Inspections



Do Not Operate Unless:

- You learn and practice the principles of safe machine operation contained in this operator's manual.
 - 1 Avoid hazardous situations.
 - 2 Always perform a pre-operation inspection.
 - 3 Always perform function tests prior to use.
 - 4 Inspect the workplace.**

Know and understand the workplace inspection before going on to the next section.

 - 5 Only use the machine as it was intended.

Workplace Inspection Fundamentals

The workplace inspection helps the operator determine if the workplace is suitable for safe machine operation. It should be performed by the operator prior to moving the machine to the workplace.

It is the operator's responsibility to read and remember the workplace hazards, then watch for and avoid them while moving, setting up and operating the machine.

Workplace Inspection Checklist

Be aware of and avoid the following hazardous situations:

- drop-offs or holes
- bumps, floor obstructions or debris
- sloped surfaces
- unstable or slippery surfaces
- overhead obstructions and high voltage conductors
- hazardous locations
- inadequate surface support to withstand all load forces imposed by the machine
- wind and weather conditions
- the presence of unauthorized personnel
- other possible unsafe conditions

Inspections

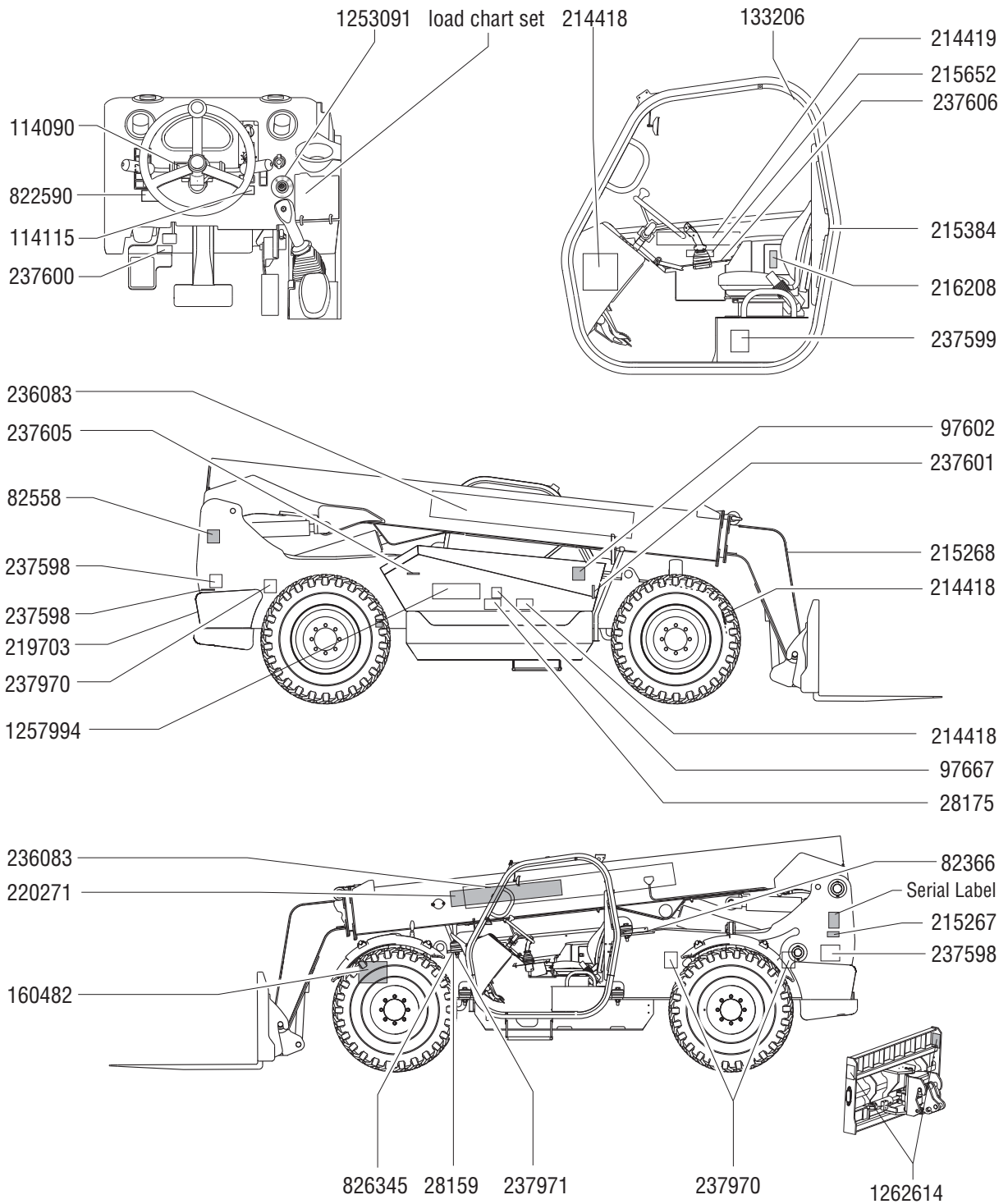
Inspection for Decals with Words

Determine whether the decals on your machine have words or symbols. Use the appropriate inspection to verify that all decals are legible and in place.

Part No.	Decal Description	Qty
28159	Label – Diesel	1
28175	Warning – Compartment Access	1
82366	Label – Chevron Rando	1
82558	Warning – Skin Injection Hazard	1
97602	Warning – Explosion Hazard	1
97667	Warning – Burn Hazard	1
114090	Label – Transmission Control	1
114115	Label – Steer Model Selector	1
133206	Label – Emergency Exit	1
160482	Label – Transport and Lifting	1
214418	Danger/Warning – 2 Decal Combination	3
214419	Danger/Warning – 6 Decal Combination	1
215267	Label – Product Registration	1
215268	Warning – Fall Hazard, Work Platform	1
215384	Label – FOPS/ROPS	1
215652	Label – Dual Controller	1
216208	Label - LED Chart	1
219648	Label – Load Chart, Rotate Carriage	1

Part No.	Decal Description	Qty
219703	Cosmetic – Genie GTH-844, Small	1
219626	Label – Genie Logo	1
220271	Label – Boom Lettering	1
236083	Cosmetic – Genie GTH-844	2
237598	Warning – Crush Hazard, Moving Machine	3
237599	Warning – Bodily Injury Hazard	1
237600	Notice – Axle Differential Lock	1
237601	Danger – Explosion/Burn Hazard	1
237605	Warning – Burn Hazard, Hot Parts	1
237606	Label – Single Controller	1
237684	Label - Load Chart, Standard Carriage	1
237863	Label – Angle Indicator	1
237970	Warning – Crush Hazard, Tires	3
237971	Danger – Explosion/Burn Hazard, Fueling	1
826345	Label – Ultra Low Sulfur Fuel Only (diesel models)	1
822590	Label – 2-speed Transmission	1
1253091	Label – Key Ignition	1
1257919	Label – Load Chart, Quick Attach Lifting Point	1
1257994	Cosmetic – Genie	1
1261896	Label – Load Chart, Swing	1
1262614	Warning – Tip-over, Swing Carriage	2

Inspections



■ Shading indicates decal is hidden from view, i.e. under covers

Inspections

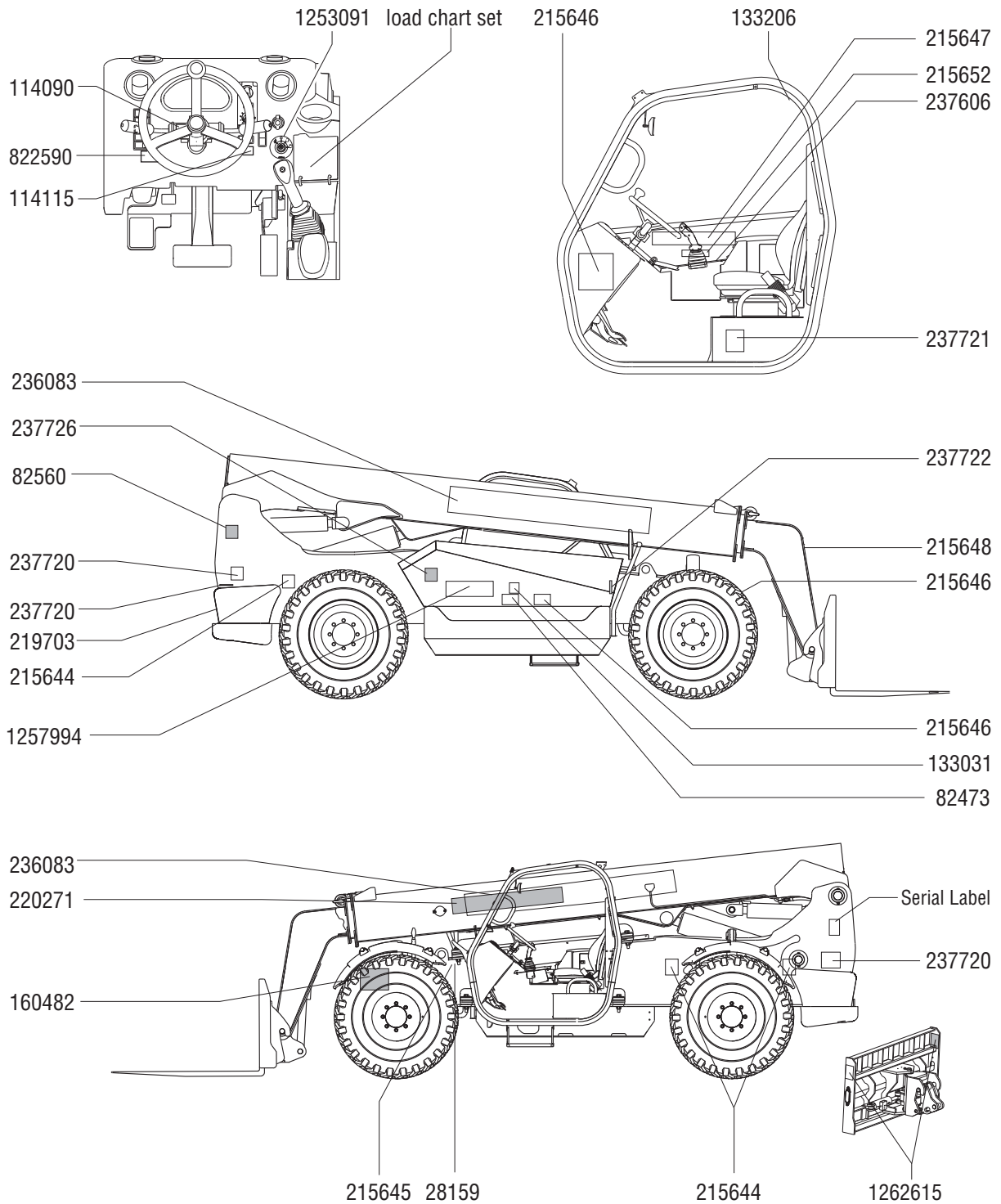
Inspection for Decals with Symbols

Determine whether the decals on your machine have words or symbols. Use the appropriate inspection to verify that all decals are legible and in place.

Part No.	Decal Description	Qty
28159	Label – Diesel	1
82473	Label – Compartment Access	1
82560	Label – Skin Injection Hazard	1
133031	Label – Burn Hazard	1
114090	Label – Transmission Control	1
114115	Label – Steer Model Selector	1
133206	Label – Emergency Exit	1
160482	Label – Transport and Lifting	1
215644	Label – Crush Hazard, Tires	3
215645	Label – Explosion/Burn Hazard	1
215646	Label – 2 Decal Combination	3
215647	Label – 6 Decal Combination	1
215648	Label – Fall Hazard	1
215652	Label – Dual Controller	1
219648	Label – Load Chart, Rotate Carriage	1

Part No.	Decal Description	Qty
219703	Cosmetic – Genie GTH-844, Small	1
220271	Label – Boom Lettering	1
236083	Cosmetic – Genie GTH-844	2
237606	Label – Single Controller	1
237720	Label – Crush Hazard, Moving Machine	3
237721	Label – Bodily Injury Hazard	1
237722	Label – Explosion/Burn Hazard	1
237726	Label – Burn Hazard, Hot Components	1
237863	Label – Angle Indicator	1
237684	Label - Load Chart, Standard Carriage	1
822590	Label – 2-speed Transmission	1
1253091	Label – Key Ignition	1
1257919	Label – Load Chart, Quick Attach Lifting Point	1
1257994	Cosmetic – Genie	1
1261896	Label – Load Chart, Swing	1
1262615	Label – Tip-over, Swing Carriage	2

Inspections



■ Shading indicates decal is hidden from view, i.e. under covers

Operating Instructions



Do Not Operate Unless:

- You learn and practice the principles of safe machine operation contained in this operator's manual.
 - 1 Avoid hazardous situations.
 - 2 Always perform a pre-operation inspection.
 - 3 Always perform function tests prior to use.
 - 4 Inspect the workplace.
 - 5 **Only use the machine as it was intended.**

Fundamentals

The Operating Instructions section provides instructions for each aspect of machine operation. It is the operator's responsibility to follow all the safety rules and instructions in the operator's, safety and responsibilities manuals.

A variable reach rough terrain forklift truck is defined as a wheeled type truck designated primarily as a fork truck with a pivoted boom, which may be equipped with attachments for lifting material. Using it for any other use is unsafe and dangerous.

Only trained and authorized personnel should be permitted to operate a machine. If more than one operator is expected to use a machine at different times in the same work shift, they must all be qualified operators and are all expected to follow all safety rules and instructions in the operator's, safety and responsibilities manuals. That means every new operator should perform a pre-operation inspection, function tests, and a workplace inspection before using the machine.

Operating Instructions

Parking Brake

Use the parking brake switch to apply the parking brake before raising the boom or leaving the machine.

Push the top of the rocker switch to turn the parking brake on.

Push the bottom of the switch to turn the parking brake off.

Brake Pedal

Use the brake pedal to control the machine speed and to stop the machine motion.

Push and hold the brake pedal to stop the machine.

Push and release the brake pedal to control the machine speed.

Starting the Engine

- 1 Be sure the parking brake is set and the transmission control lever is in the neutral position.
- 2 Insert the key in the ignition switch.
- 3 Turn the key until the engine starts.

If the engine fails to start after 30 seconds of cranking, determine the cause and repair any malfunction. Wait 120 seconds before trying to start again.

Steer Select

Always position all wheels in line with the machine before switching the steering mode.

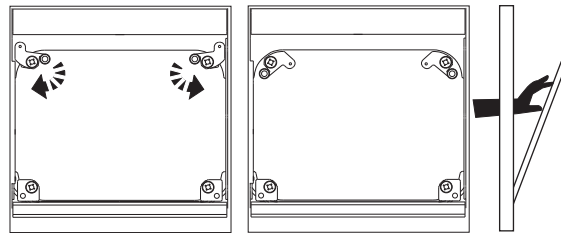
Do not realign the wheels while driving.

Steer selector switch



Emergency Exit (if equipped)

Rotate each retaining lever and push out the window.



Operating Instructions

Transmission Control

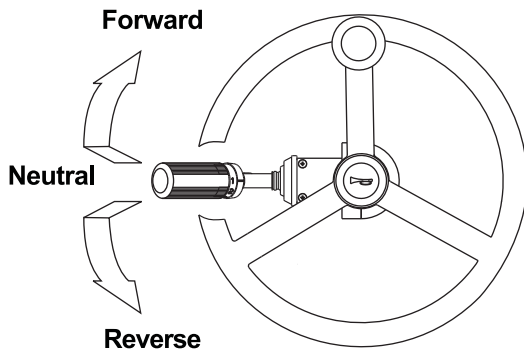
Use the transmission control lever to control the speed and direction of machine travel.

Step on the service brake pedal before putting the transmission into gear.

To drive forward, move the transmission control lever toward you and move it up.

To drive in reverse, move the transmission control lever toward you and move it down.

To return to neutral, move the transmission control lever to the center position.

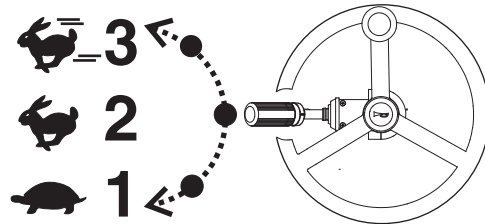


The transmission control lever also controls the transmission speed.

To choose a lower speed, rotate the control lever clockwise.

To choose a higher speed, rotate the control lever counterclockwise.

Models with 3-speed transmission



Come to a complete stop before shifting the transmission from forward to reverse. The transmission control lever must be in 1st or 2nd gear only.

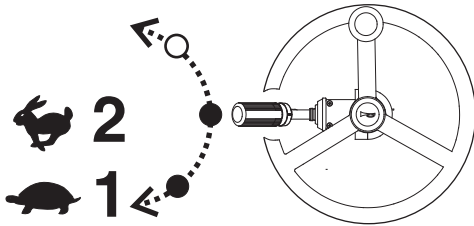
Forward / 1st gear: Low speed / high torque

Forward / 2nd gear: Medium speed / medium torque

Forward / 3rd gear: High speed / low torque

Operating Instructions

Models with 2-speed transmission



Come to a complete stop before shifting the transmission from forward to reverse. The transmission control lever must be in 1st or 2nd gear only.

Forward / 1st gear: Low speed / high torque

Forward / 2nd gear: Medium speed / medium torque

Axle Differential Lock

Use the axle differential lock switch to lock the axle differential and gain added traction in certain types of terrain such as sand, mud or snow.

Come to a complete stop before activating the axle differential lock. Do not lock the axle when the machine is moving.

Step on the pedal and hold it to activate the axle differential lock. Release the pedal to release the differential lock.

Frame Sway Control

Before raising the boom, the machine must be level.

- 1 Check the left to right level indicator. The left to right level indicator should be 0 degrees before raising the boom.
 - 2 If the machine is not level, use the frame sway control function to level the machine.
- ▲ Only use the frame sway control function if the boom angle indicator is at 0 degrees or less.

See Controller Movements section.

Transporting a Load

Center the load on the forks. Position the load so that it is completely against the back of the fork frame.

The load should be kept as low to the ground as possible while traveling. Always move a loaded machine with the boom angle indicator at 0 degrees or less.

Tilt the forks back slightly to help keep the load secure.

Always bring the machine to a complete stop before applying the parking brake.

Operating Instructions

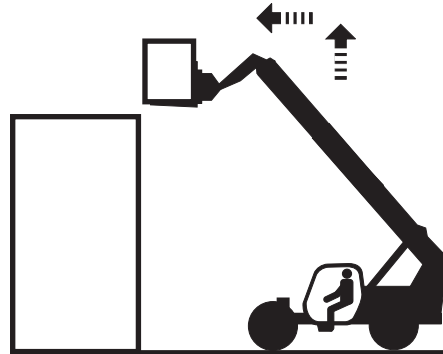
Raising and Placing a Load

The load chart in the cab shows the operating limits of a properly maintained and operated machine. To use the load chart, the operator must know the weight of the load, its load center and how far out and up it is to be placed.

This machine has more than one load chart. Be sure you are using the load chart that corresponds to the attachment on the machine.

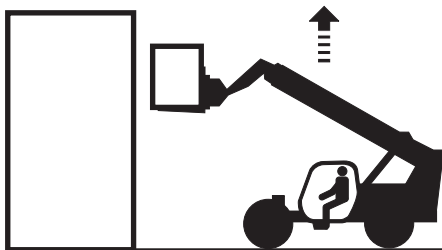
If you determine that the weight of the load cannot be placed at the height and angle you want, these options can be used:

- 1 Move the machine closer to the loading or pick point so that the weight of the load will meet the load chart specifications.
- 2 Divide the load into smaller pieces so that each piece meets the load chart specifications.
- 3 Obtain a larger machine capable of handling the load within specifications.



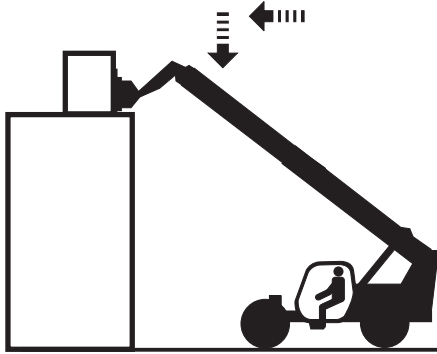
Placing the load

- 1 Travel to the desired work site and carefully stop the machine.
- 2 Put the transmission in neutral.
- 3 Apply the parking brake.
- 4 Level the frame, if the left to right level indicator or the front to back level indicator is not at 0 degrees.
- 5 Gradually move the controller to raise and extend the boom to the required height.

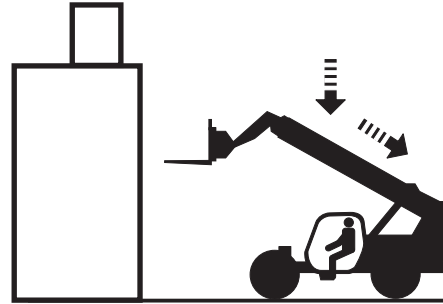


Operating Instructions

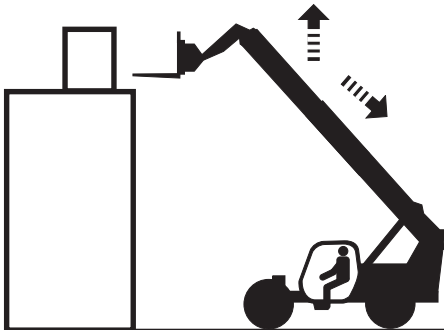
- 6 Gradually move the controller to lower and extend the boom into final position. Lower the load until the weight is completely off the forks. Do not apply a downward force with the forks.



- 8 When the forks are clear of the load and the structure, the boom can be lowered and retracted.

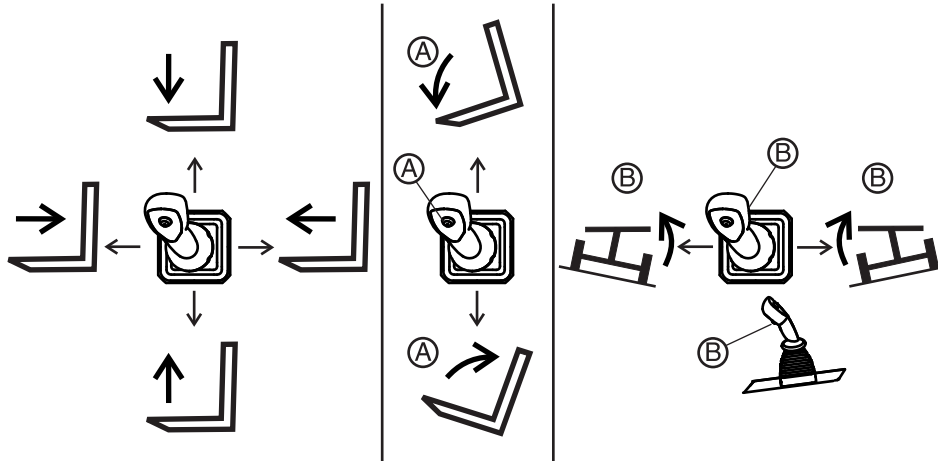


- 7 Gradually move the controller to raise and retract the boom. This will bring the forks out of the load.



Operating Instructions

Controller movements – Single Control Handle

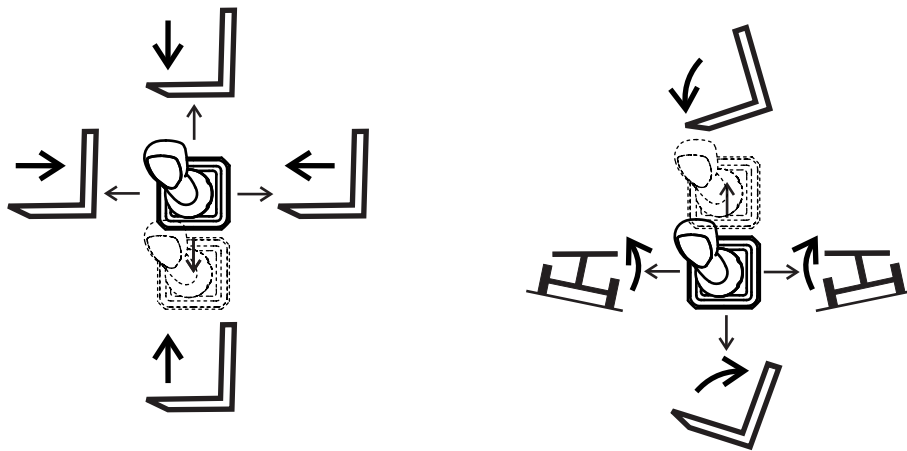


Control handle only

Control handle with red thumb switch (A)

Control handle with white finger switch (B)

Controller movements - Dual Control Handle



Boom control handle

Tilt and sway control handle

Operating Instructions

Rear Axle Lock

If the boom is raised above 55°, the transmission will shift to neutral and the frame sway function will not operate.

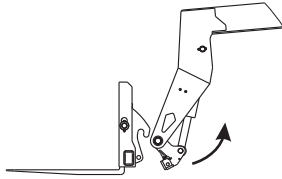
Boom and fork functions continue to operate.

To unlock the rear axle and to operate the frame sway function, lower the boom. When the boom is at or below 0°, the frame sway function will operate.

Operating Instructions

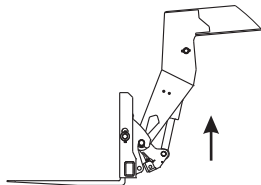
Quick Attach Instructions

Remove the quick attach lock pin.

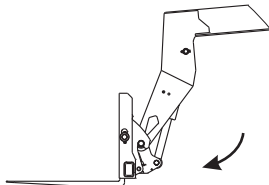


Tilt the forks forward to pivot the quick attach connector back.

Position the boom so that the quick attach pin on the boom is below and centered between the hooks on the attachment.

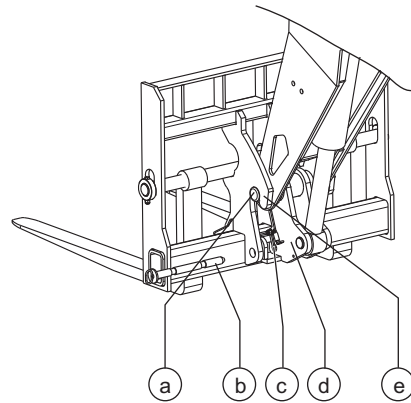


Raise the boom until the pin is secured in the hooks on the attachment.



Tilt the forks back to pivot the quick attach into the attachment.

Insert the quick attach lock pin all the way through the attachment and be sure the quick attach lock lever is secured in the notch on the pin.



- a quick attach pin
- b quick attach lock pin
- c quick attach lock lever
- d quick attach connector
- e attachment hooks

Engine Condition Indicator

If the engine diagnostic display indicates an engine fault, contact service personnel.

Operating Instructions

After Each Use

- 1 Select a safe parking location—firm level surface, clear of obstruction and traffic.
- 2 Retract and lower the boom to the stowed position.
- 3 Move the transmission control lever to neutral.
- 4 Set the parking brake.
- 5 Turn the key switch to the off position and remove the key to secure from unauthorized use.

Jump Starting the Machine

Jump starting at the battery or battery replacement is required when the battery is discharged to the point where the battery will not crank the starter.

Never jump start the machine directly to the starter or the starter solenoid. Serious injury or death could result from the machine moving forward or backward.

To avoid personal injury when jump starting with another machine, be certain that the machines are not touching.

Never jump start a frozen battery as it will explode.

Keep sparks and flames away from the battery. Lead acid batteries generate explosive gases when charging. Wear safety glasses when working near batteries.

The booster battery must be 12V. The machine used for jump starting must have a negative ground electrical system.

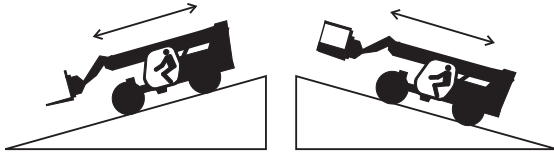
To jump start the machine

- 1 Connect the positive (+) jumper cable to the positive (+) post of the discharged battery.
- 2 Connect the other end of the same jumper cable to the positive (+) post of the booster battery.
- 3 Connect one end of the second jumper cable to the negative (-) post of the booster battery.
- 4 Make the final cable connection to the engine block or the furthest ground point away from the battery.
- 5 Start the engine.

Operating Instructions

▲ Driving on a slope

When the machine is loaded, always travel with the load uphill. When the machine is unloaded, travel with the forks or attachment downhill.



On steep terrain, drive only up and down hill, and always keep the machine in gear. Do not turn across slope when machine is traveling up or down a slope. To avoid overspeeding the engine and transmission when driving down slopes, downshift to a lower gear and use the service brake as necessary to maintain a slow speed.

Limit travel path and speed according to the condition of the ground surface, traction, slope, location of personnel and any other factors which may create a hazard. Never drive the machine unless the mast and equipment are in their proper travel position.

Whether a machine will tip over during dynamic machine operation involves many variables that need to be considered. Among these are pavement/ground conditions, stability and slope, as well as machine equipment, operator skill, load position, tire inflation, machine speed, etc.

Additionally, tip over of a machine is dependent in large part upon operator inputs such as the speed and smoothness of the operation as well as the position of the attachment and its load.

Construction sites and roads will frequently change slope from place to place, can be hard and soft, and change due to the construction activities and weather.

Operators should be properly trained and use their best judgment and experience to take the necessary precautions to prevent tip over. Operators must assess the jobsite variables and avoid exceeding the machine's (or operator's) capabilities for terrain and conditions.

Transport and Lifting Instructions



Observe and Obey:

- Genie provides this securement information as a recommendation. Drivers are solely responsible for making sure machines are properly secured and the correct trailer is selected pursuant to US Department of Transportation regulations, other localized regulations, and their company policy.
 - Genie customers needing to containerize any lift or Genie product should source a qualified freight forwarder with expertise in preparing, loading and securing construction and lifting equipment for international shipment.
 - Only qualified operators should move the machine on or off the truck.
 - The transport vehicle must be parked on a level surface.
 - The transport vehicle must be secured to prevent rolling while the machine is being loaded.
- Before loading for transport, make sure the deck, ramps and machine tires are free of mud, snow and ice. Failure to do so could cause the machine to slide.
 - Be sure the vehicle capacity, loading surfaces and chains or straps are sufficient to withstand the machine weight. Genie telehandlers are very heavy relative to their size. See the serial label for the machine weight. See the Inspections section for the serial label location.

Transport and Lifting Instructions

Securing to Truck or Trailer for Transit

Turn the key switch to the off position and remove the key before transporting.

Inspect the entire machine for loose or unsecured items.

Be sure the door and the door windows are latched and secured (if equipped).

Prior to loading, level the telehandler and retract the boom.

Use a spotter to load and unload the telehandler. Keep the boom as low as possible when loading and unloading.

Set the parking brake.

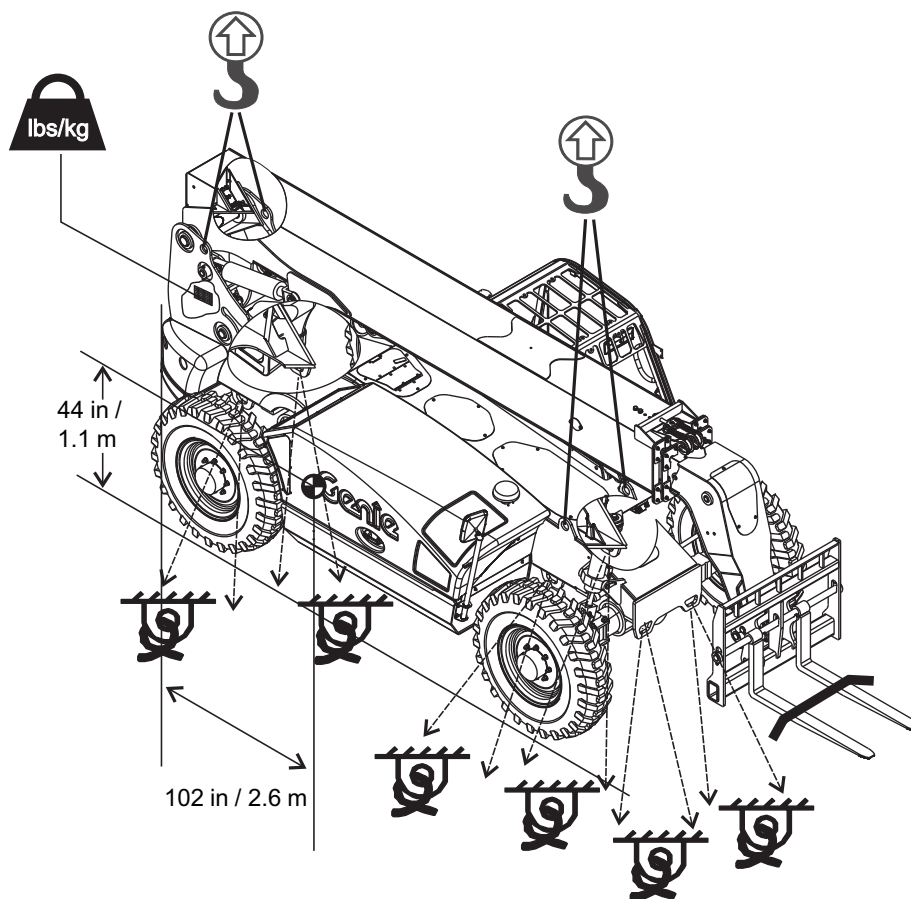
Securing the Chassis

Use chains of ample load capacity.

Use a minimum of 6 chains. There are 6 tie down points on the chassis, two in the front and two on each side of the machine.

Fully lower the forks or attachment onto the truck bed. Secure the forks or attachment with a suitable strap or chain to prevent movement.

Adjust the rigging to prevent damage to the chains.



Transport and Lifting Instructions



Observe and Obey:

- ☑ Only qualified riggers should rig the machine.
- ☑ Only certified crane operators should lift the machine and only in accordance with the applicable crane regulations.
- ☑ Be sure the crane capacity, loading surfaces and straps or lines are sufficient to withstand the machine weight. See the serial label for the machine weight.

Lifting Instructions

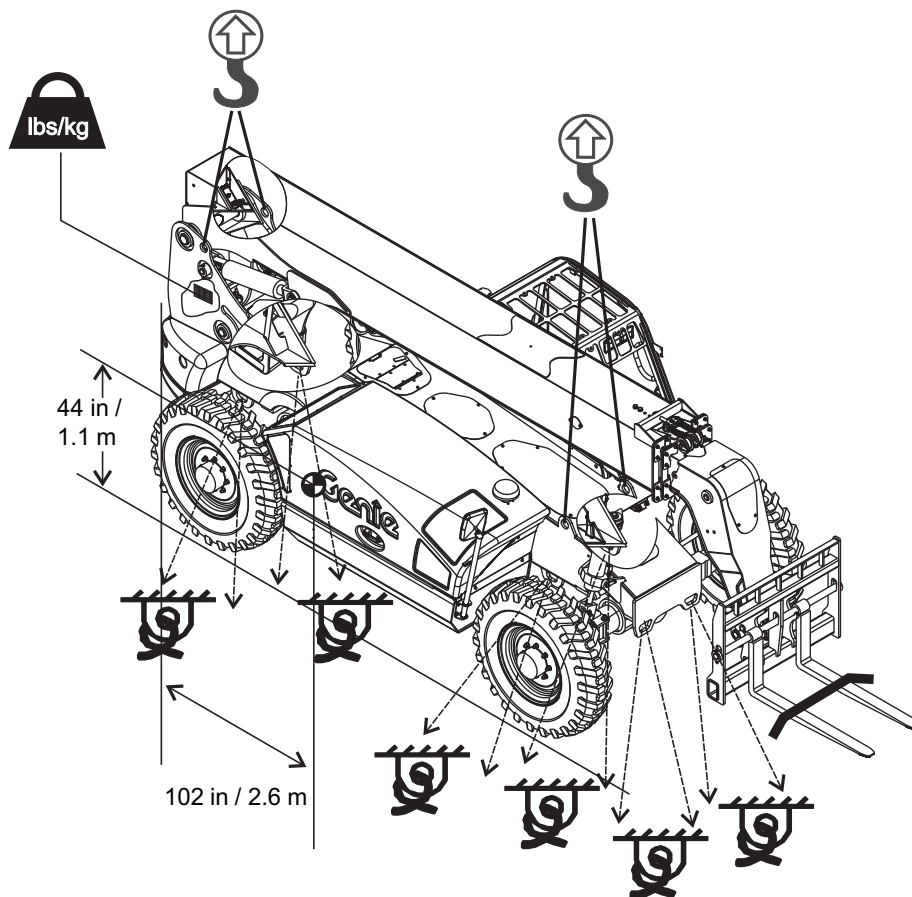
Fully lower and retract the boom.

Determine the center of gravity of your machine using the picture on this page.

Remove all loose items on the machine.

Attach the rigging only to the designated lifting points on the machine.

Adjust the rigging to prevent damage to the machine and to keep the machine level.



Maintenance



Observe and Obey:

- ☑ Only routine maintenance items specified in this manual shall be performed by the operator.
- ☑ Scheduled maintenance inspections shall be completed by qualified service technicians, according to the manufacturer's specifications and the requirements specified in the responsibilities manual.

Maintenance Symbols Legend

The following symbols have been used in this manual to help communicate the intent of the instructions. When one or more of the symbols appear at the beginning of a maintenance procedure, it conveys the meaning below.



Indicates that tools will be required to perform this procedure.



Indicates that new parts will be required to perform this procedure.



Indicates that a cold engine is required before performing this procedure.

Check the Engine Oil Level



Maintaining the proper engine oil level is essential to good engine performance and service life. Operating the machine with an improper oil level can damage engine components.

Note: Check the oil level with the engine off.

- 1 Check the oil level dipstick. Add oil as needed.

Perkins 1104D-E44T Engine

Oil type	15W-40
----------	--------

Perkins 854E-E34TA Engine

Oil type	API CJ-4 15W-40 Low Ash Oil
----------	--------------------------------

Deutz TCD 3.6 L4 Tier 3 Engine

Oil type	15W-40
----------	--------

Deutz TCD 3.6 L4 Tier 4i Engine

Oil type	API CJ-4 15W-40 Low Ash Oil
----------	--------------------------------

Maintenance

Diesel Fuel Requirements



Satisfactory engine performance is dependent on the use of a good quality fuel. The use of a good quality fuel will give the following result: long engine life and acceptable exhaust emissions levels.

Minimum diesel fuel requirements for each engine are listed below.

Perkins 1104D-E44T Engine

Fuel Type	Low Sulfur Diesel (LSD)
-----------	-------------------------

Perkins 854E-E34TA Engine

Fuel Type	Ultra Low Sulfur Diesel (ULSD)
-----------	--------------------------------

Deutz TCD 3.6 L4 Tier 3 Engine

Fuel Type	Low Sulfur Diesel (LSD)
-----------	-------------------------

Deutz TCD 3.6 L4 Tier 4i Engine

Fuel Type	Ultra Low Sulfur Diesel (ULSD)
-----------	--------------------------------

Check the Hydraulic Oil Level



Maintaining the hydraulic oil at the proper level is essential to machine operation. Improper hydraulic oil levels can damage hydraulic components. Daily checks allow the inspector to identify changes in oil level that might indicate the presence of hydraulic system problems.

- 1 Be sure that the engine is off, the frame is level and the boom is in the stowed position.
- 2 Visually inspect the sight gauge located on the side of the hydraulic oil tank.
- ⊙ Result: The hydraulic oil level should be halfway in the sight gauge.
- 3 Add oil as needed. Do not overfill.

Hydraulic oil specifications

Hydraulic oil type	Chevron Rando HD equivalent
--------------------	-----------------------------

Maintenance

Check the Batteries



Proper battery condition is essential to good machine performance and operational safety. Improper fluid levels or damaged cables and connections can result in component damage and hazardous conditions.

- ▲ **Electrocution hazard.** Contact with hot or live circuits may result in death or serious injury. Remove all rings, watches and other jewelry.
 - ▲ **Bodily injury hazard.** Batteries contain acid. Avoid spilling or contacting battery acid. Neutralize battery acid spills with baking soda and water.
- 1 Put on protective clothing and eye wear.
 - 2 Be sure that the battery cable connections are tight and free of corrosion.
 - 3 Be sure that the battery hold-down brackets are in place and secure.

Note: Adding terminal protectors and a corrosion preventative sealant will help eliminate the corrosion on the battery terminals and cables.

Check the Engine Coolant Level – Liquid Cooled Models



Maintaining the engine coolant at the proper level is essential to engine service life. Improper coolant level will affect the engine's cooling capability and damage engine components. Daily checks will allow the inspector to identify changes in coolant level that might indicate cooling system problems.

Perkins Engines:

- 1 Check the fluid level in the radiator.
- ⊙ Result: The fluid level should be at the bottom of the filler neck.
- ▲ **Bodily Injury Hazard.** Fluids in the radiator are under pressure and extremely hot. Use caution when removing cap and adding fluids.

Deutz Engines:

- 1 Check the fluid level in the sight glass located on the radiator expansion tank.
- ⊙ Result: The fluid level should be at the half way mark of the sight glass when the engine is cold.

Coolant Specification

Perkins and Deutz engines	Extended Life Coolant (ELC)
---------------------------	-----------------------------

Maintenance

Check the Tire Pressure



- ▲ Tip-over hazard. An over-inflated tire can explode which may compromise machine stability and cause the machine to tip over.
- ▲ Tip-over hazard. The use of temporary flat tire repair products may lead to tire failure which could compromise machine stability and cause the machine to tip over.
- ▲ Bodily injury hazard. An over-inflated tire can explode and may cause death or serious injury.

Note: This procedure does not need to be performed on machines equipped with foam-filled tires.

- 1 Check each tire with an air pressure gauge. Add air as needed.

Tire pressure	62 psi	4.3 bar
----------------------	--------	---------

Scheduled Maintenance

Maintenance performed quarterly, annually and every two years must be completed by a person trained and qualified to perform maintenance on this machine according to the procedures found in the service manual for this machine.

Machines that have been out of service for more than three months must receive the quarterly inspection before they are put back into service.

Attachments

⚠ Work Platform Hazards

Work Area Safety

The telehandler shall not be used to lift people unless there is no other practical option. If a telehandler must be used to lift people, the following precautions for the protection of occupants shall be taken.

Use only a Genie approved personnel work platform which complies with the design requirements of ANSI/ITSDF B56.6.



Do not lift personnel with a telehandler unless it is equipped with an approved work platform.

The user or employer and the operator shall further investigate, and comply with, all applicable jobsite, local, state, provincial, or federal rules, regulations, and standards related to the use of the telehandler with a work platform.

Read, understand and obey all warnings and instructions provided with the attachment that is approved for elevating personnel.

The operator and the platform occupants must be instructed regarding the specific hazards associated with using the telehandler with the work platform, and utilize all means, including those provided by the user or employer, to avoid them.

Always perform a pre-operation inspection of the platform, per the manufacturer's instructions, prior to use.

If damage or any unauthorized variation from factory delivered condition is discovered, the platform must be tagged and removed from service.

Do not modify the platform without written approval by Genie and the platform manufacturer.

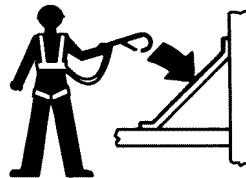
Do not use the telehandler with a work platform attached for any purpose other than positioning personnel with their tools, materials and equipment.

Provide overhead protection as required by the operating conditions.

Platform Occupant

Fall Protection

Personal fall protection equipment (PFPE) is required for all occupants of the work platform.



Occupants must wear a safety belt or harness in accordance with governmental regulations. Attach the lanyard to the anchor provided in the platform.

All PFPE must comply with applicable governmental regulations, and must be inspected and used in accordance with the PFPE manufacturer's instructions.

Attachments

Occupying the Platform

Do not carry materials directly on platform railing unless approved by Genie.

Be certain that materials and tools are protected from falling out of the platform.



Be aware of crushing hazards when grasping the platform guard rail. During movement of the platform, occupants must keep all body parts inside the platform railing.



Do not sit, stand or climb on the platform guard rails. Maintain a firm footing on the platform floor at all times.

Do not enter or exit the platform unless the machine is in the stowed position and the platform is at ground level.

Occupants shall not climb on any part of the telehandler in attempting to enter and exit the platform.



Do not climb down from the platform when raised.

Do not place or attach overhanging loads to any part of this machine or platform.



Do not place ladders or scaffolds in the platform or against any part of this machine.

Do not tie the boom or platform to adjacent structures.

Do not place loads outside the platform perimeter.

Do not transport tools and materials unless they are evenly distributed and can be safely handled by person(s) in the platform.

Keep the platform floor clear of debris.

Never use ladders, boxes, steps, planks or similar items on the platform to provide additional reach.

Be certain that required personnel fall protection devices, such as guard rails and full body harness with lanyard, are in place and properly used.

Use the hand rails to maintain balance while the platform is in motion.

Do not increase the surface area of the platform or the load. Increasing the area exposed to the wind will decrease machine stability.

Attachments

Telehandler Operation

Be certain that the platform is securely attached to the telehandler, lifting carriage and forks.

Be certain that the lifting carriage and forks are secured to prevent them from pivoting freely.



Do not drive the telehandler when occupants are in the platform.

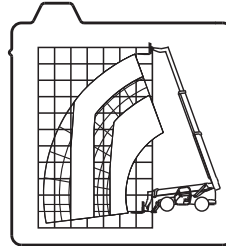
Always fully lower the platform and have occupants leave the platform before driving the telehandler.

Before elevating personnel, the area shall be marked to warn of work by elevated personnel.

Prior to lifting personnel, platform occupants and telehandler operator must establish a means of communication for positioning of the platform.

Be sure that operators of other overhead and floor level machines are aware of the machine's presence.

Lifting Personnel



Occupants, equipment and materials shall not exceed the maximum platform capacity. Distribute loads evenly on the platform floor.

The combined weight of the platform, load, and personnel shall not exceed one-third of the capacity at the related load center position (24 inches / 60 cm) as indicated on the load charts of the telehandler on which the platform is used.

Be certain that the path of platform travel is clear of hazards such as storage racks, scaffolds, overhead obstructions, and electrical wires.



Do not level the machine with the frame sway function when the platform is occupied.



Be certain that the platform is horizontal before lifting, and do not tilt the platform forward or backward when the occupied platform is elevated.

When equipped, always lower the stabilizers prior to raising personnel.

Attachments

Keep bystanders away while operating.

Do not place boom or platform against any structure to steady the platform or to support the structure.

Do not use the controls to free a platform that is caught, snagged or otherwise prevented from normal motion by an adjacent structure. All personnel must be removed from the platform before attempting to free the platform using the controls.



Check the work area for overhead obstructions or other possible hazards.

Be certain that the path of platform travel is clear of hazards, such as storage racks, scaffolds, overhead obstructions, and electrical wires.

Do not allow personnel or bystanders to tamper with or operate the machine from the cab when occupants are in the platform except in an emergency or when directed by the occupants.

Always lift and lower personnel smoothly and with caution, and only at their request.

Operating Instructions

Preparation and Setup

Read, understand and obey all jobsite, local, state, federal and provincial rules, standards and regulations as they pertain to the use of a telehandler mounted personnel work platform (In the USA and Canada, reference ANSI/ITSDF B56.6 and CSA B335).

If the personnel work platform is equipped with safety instructions, make sure a copy is placed in the cab as well as in the work platform, if it is equipped with a manual holder.

Cordon off the area to warn of work by elevated personnel. Keep the area under the platform free of personnel.

Be sure the telehandler is on a firm level surface capable of supporting all forces imposed by the machine.

Without personnel in the platform, perform a simulated lift with the designated signal person on the ground as a spotter, to assure adequate telehandler range and attachment clearances and that the telehandler lifting mechanism is operating smoothly.

Attachments

Installing and securing the platform

Center the platform on the telehandler.

Properly secure the platform to the telehandler according to the manufacturer's instructions.

Be sure that the forks supporting the platform are secured to prevent them from pivoting forward.

If mounted to a rotating attachment, center the rotation of the attachment and then deactivate its rotation capability.

Level the platform, both side to side (frame sway function) and front to rear (attachment tilt function).

Entering, occupying and exiting the platform

Use three-point contact when entering or exiting a work platform.

Only enter and exit the platform when it is at ground level.

Only enter and exit the platform at the designated entry and exit locations.

Close and secure the entry point gate or railing before signaling to be lifted.

Attach PFPE to the designated lanyard anchor.

Occupants should use the guardrail to help stabilize themselves during movement. Be aware of crushing hazards when grasping the platform guardrail.

Lifting and lowering the platform

Set the parking brake and place the transmission into neutral.

If equipped with stabilizers: Lower the stabilizers.

Only allow personnel to enter and exit the platform when it is at ground level.

Establish and maintain a means of communication with the occupants.

Only move the platform at the request of a single designated occupant. Never tilt the platform forward or backward, or attempt to level the machine when the platform is occupied.

Sound the horn to alert occupants prior to lifting or lowering the platform.

Move the platform slowly, smoothly and with caution.

Keep hands and feet clear of all controls other than those in use.

When the platform is occupied, the telehandler operator must remain seated in the cab with the occupants in direct line of sight.

Attachments

▲ Suspended Load Hazards

Work Area Safety

General Safety

Do not lift a suspended load without first understanding the local, state, federal, or provincial rules, standards and regulations related to the activity. In the USA requirements are set forth in ANSI/ITSDF B56.6 and OSHA 29 CFR 1926.1400-1442. Additional rules, standard and regulations may apply. Additional training may be required.

If a telehandler must be used to transport a suspended load, the following precautions for the protection of the operator shall be taken.

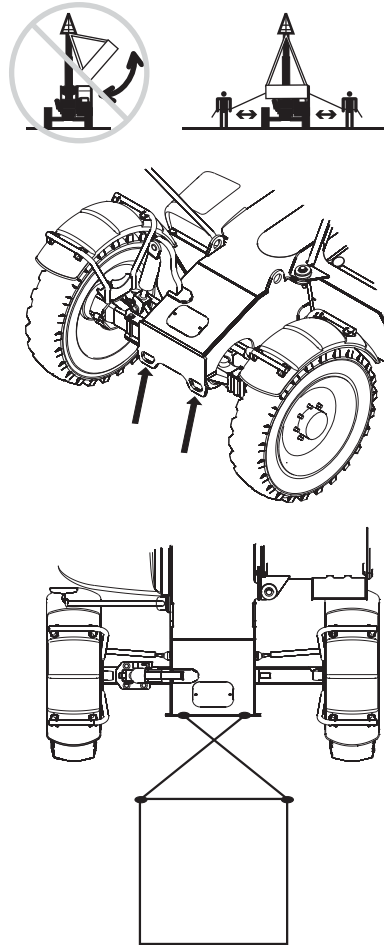
Read, understand and obey all warnings and instructions provided with the attachment that is approved for suspending loads.

Only properly designed, tested and approved attachments, designated lifting points, and lifting accessories should be used to support a suspended load.

The telehandler load charts are designed for loads where the load center is stationary. As a suspended load moves, the load center can change. As a result, extreme caution in transporting and lifting, or placing, the load must be observed to minimize the potential for the load to move.

Overturning Hazards

Do not lift a suspended load without the proper and legible load capacity chart for the attachment/telehandler combination you are using.



Do not permit the load to swing freely. Always properly tether loads to restrict movement. In addition to ground personnel, the two chassis tie-down points in the front of the machine can be used to help externally stabilize the load. Always cross the tethers to opposite sides of the load to minimize load movement. Driving across grades, sudden starts, stops, and turns can cause the load to swing and create a hazard if not externally stabilized.

Keep the boom retracted as much as practical.

Do not lift suspended loads when wind speeds can cause an unsafe situation.

Attachments

All movements of the load must be accomplished gradually and at the slowest practical speed to prevent the load from swinging.

Keep the heavy part of the load closest to the attachment.

Never drag or pull a load sideways.

Only lift a load vertically; do not pull a load horizontally as it could cause excessive swinging of the load.

The weight of all rigging (slings, shackles etc.) must be included as part of the load.

Identify the proper lifting points of the load, taking into consideration the center of gravity and load stability.

Do not attempt to use the telehandler frame-leveling to compensate for a swinging load or to adjust the load after it has been raised.

Do not try to move fixed or obstructed loads.

Do not leave the telehandler unattended with a suspended load.

Keep the boom and load as low as practical while maintaining visibility in the direction of travel.

Do not exceed walking speed (2 mph / 3.2 km/h) with a suspended load.

Start, travel, turn and stop slowly to prevent the load from becoming unstable or swinging.

Do not use any controls to re-position the load when traveling. Come to a gradual and complete stop before attempting to re-position the load.

Do not attempt to cross inclines as the load center will move towards the tipping line, thereby reducing stability.

Only climb or descend inclines with extreme care as the load center will move towards the tipping line, thereby reducing stability.

Do not park on a slope.

Fall Hazards

Do not lift or suspend personnel.

Attachments

Collision Hazards

Be sure that the load is clear of any adjacent obstacles before lifting.

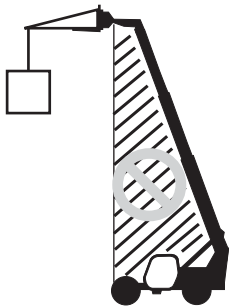
When visibility is or could be obstructed, near or at the load placement, the operator shall use alternative or additional means to safely lift the load, such as a qualified signal person.

Signal persons must remain in constant communication (verbal or hand) and be in visual contact with the operator at all times.

Crush Hazards

Never allow the signal person to come between the suspended load and another object (such as the telehandler itself).

Falling Object Hazards



Do not raise the load into the fall zone shown.

Do not operate the machine while people are under the load or in the fall zone.

Do not suspend loads using slings or chains from the forks or fork carriage.

Avoid lifting double tiered loads.

Lifting a Suspended Load

Verify that landing point is level and can safely support the load.

Properly secure the attachment to the telehandler

Level the frame on the telehandler.

Rig the load as outlined in OSHA 29 CFR 1926.1401, 1926.1404, 1926.1425, keeping the heaviest part of the load as close to the attachment as practical.

Tether the load to restrict movement.

Ask a signal person to assist with lifting the load if visibility will be obstructed at the point of operation.

Make sure that the signal person remains in constant communication and is in visual contact at all times.

With the boom retracted as far as practical, slowly and gradually raise the boom and load, making sure to keep the load and boom as low to the ground as practical.

Be sure that all boom and attachment movements are performed as slow as practical to avoid swinging of the load.

Attachments

Traveling

Be sure that the path of travel is level and capable of supporting the telehandler with its load.

Keep the boom, and load, as low as practical while maintaining visibility in the direction of travel.

Ask a signal person to assist with your travel if visibility will be obstructed in the direction of travel.

Crush or Collision Hazard. Make sure that the signal person remains in constant communication and be in visual contact at all times.

Only make adjustments to the load after bringing the telehandler to a complete stop.

Start, stop, travel and turn slowly to prevent the load from becoming unstable or swinging.

Do not travel faster than walking speed (<2 mph / 3.2 km/h).

Placing the Load

Ask a signal person to assist with placing the load if visibility will be obstructed at the point of operation.

Make sure that the signal person remains in constant communication and be in visual contact at all times.

Come to a complete stop near the landing point.

If equipped with stabilizers: Lower the stabilizers.

Set the parking brake and place the transmission into neutral.

Slowly, and gradually, place the load over the landing point and lower the load until it is safely supported.

Once the load has been landed, continue to lower the boom until the rigging and tethers can be removed.

Attachments

Signal Person (from 1926.1419)

Per OSHA CFR 1926.1419, a signal person is required when:

The point of operation, meaning the load travel or the area near or at load placement, is not in full view of the operator.

When the equipment is traveling, the view in the direction of travel is obstructed.


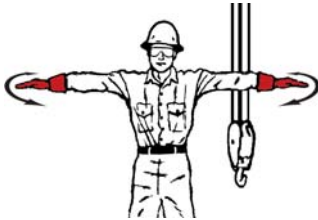




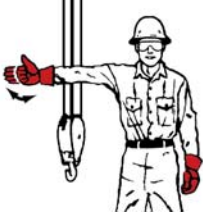
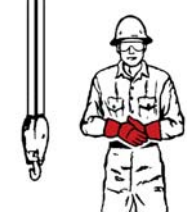

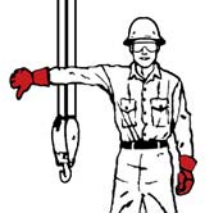

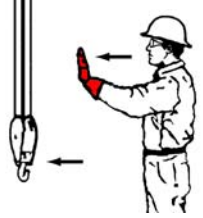

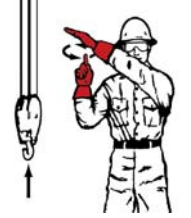
Due to site specific safety concerns, either the operator or the person handling the load determines that it is necessary.

Signal persons must remain in constant communication (verbal or hand) and be in visual contact with the operator at all times.

When using hand signals, follow the requirements set forth in OSHA CFR 1926.1419-1926.1422.

The hand signal chart below may be used in place of the Standard Method in Appendix A of Subpart CC of Part OSHA CFR 1926.

Attachments

 <p>STOP. With arm extended horizontally to the side, palm down, arm is swung back and forth.</p>	 <p>EMERGENCY STOP. With both arms extended horizontally to the side, palms down, arms are swung back and forth.</p>		 <p>HOIST. With upper arm extended to the side, forearm and index finger pointing straight up, hand and finger make small circles.</p>	 <p>RAISE BOOM. With arm extended horizontally to the side, thumb points up with other fingers closed.</p>
 <p>SWING. With arm extended horizontally, index finger points in direction that boom is to swing.</p>	 <p>RETRACT TELESCOPING BOOM. With hands to the front at waist level, thumbs point at each other with other fingers closed.</p>	 <p>RAISE THE BOOM AND LOWER THE LOAD. With arm extended horizontally to the side and thumb pointing up, fingers open and close while load movement is desired.</p>	 <p>DOG EVERYTHING. Hands held together at waist level.</p>	 <p>LOWER. With arm and index finger pointing down, hand and finger make small circles.</p>
 <p>LOWER BOOM. With arm extended horizontally to the side, thumb points down with other fingers closed.</p>	 <p>EXTENDED TELESCOPING BOOM. With hands to the front at waist level, thumbs point outward with other fingers closed.</p>	 <p>TRAVEL/TOWER TRAVEL. With all fingers pointing up, arm is extended horizontally out and back to make a pushing motion in the direction of travel.</p>	 <p>LOWER THE BOOM AND RAISE THE LOAD. With arm extended horizontally to the side and thumb pointing down, fingers open and close while load movement is desired.</p>	 <p>MOVE SLOWLY. A hand is placed in front of the hand that is giving the action signal.</p>

Attachments

▲ Suspended Load Hazards

Rigger Requirements (from OSHA CFR 1926.404)

When employees are engaged in hooking, unhooking, or guiding the load, or in the initial connection of a load to a component or structure and are within the fall zone, all of the following criteria must be met:

The materials being hoisted must be rigged to prevent unintentional displacement. Only approved lifting accessories should be used.

Hooks with self-closing latches or their equivalent must be used. Exception: "J" hooks are permitted to be used for setting wooden trusses.

The materials must be rigged by a qualified rigger.

Specifications

GTH-844

Height, stowed	7 ft 10 in	2.39 m
Length, stowed, without forks	20 ft 3 in	6.17 m
Width, standard tires	7 ft 11 in	2.41 m
Wheelbase	11 ft 4 in	3.45 m
Ground clearance, center	1 ft 3 in	38 cm
Ground clearance, axle	1 ft 5 in	43 cm
Weight	22,600 lbs	10251 kg
Working fork height, maximum	43 ft 10 in	13.36 m
Horizontal reach, maximum	28 ft 2 in	8.59 m
Reach at maximum height	2 ft 1 in	64 cm
Lift capacity, maximum height with 24 in / 61 cm load center	6000 lbs	2722 kg
Lift capacity, maximum reach with 24 in / 61 cm load center	2000 lbs	907 kg
Maximum lift capacity	8000 lbs	3629 kg

Drive speed, maximum, Deutz engines

3-speed transmission	15 mph	24.1 km/h
2-speed transmission	6 mph	10.5 km/h

Drive speed, maximum, Perkins 854 engines

3-speed transmission	16 mph	25.7 km/h
2-speed transmission	6 mph	10.5 km/h

Drive speed, maximum, Perkins 1104 engines

3-speed transmission	14 mph	22.5 km/h
2-speed transmission	5.5 mph	9.7 km/h

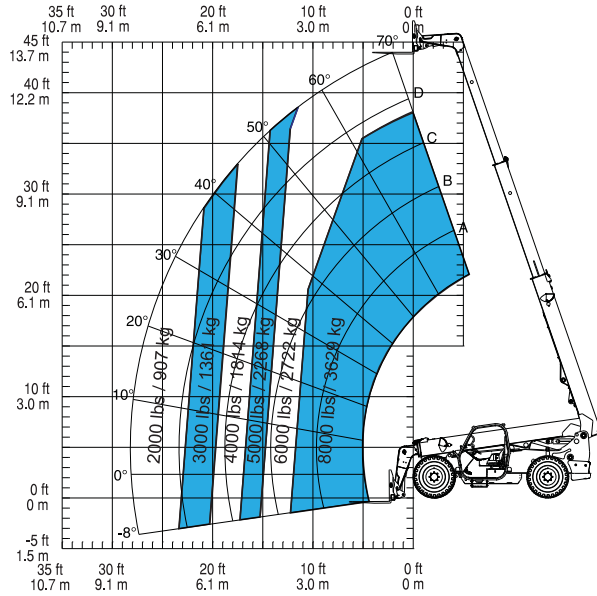
Tire size	13 x 24, 12 ply	
Turning radius (outside), 2 wheel steer	21 ft 9 in	6.63 m
Turning radius (outside), 4 wheel steer	13 ft 9 in	4.19 m
Frame leveling (each side)	10 degrees	
Fuel tank capacity	35 gal	132.5 liter
Maximum grade	50%	
Horn sound level, manufacturer's rating	113 dB	
Backup alarm sound level, manufacturer's rating	107 dB	

Floor loading information

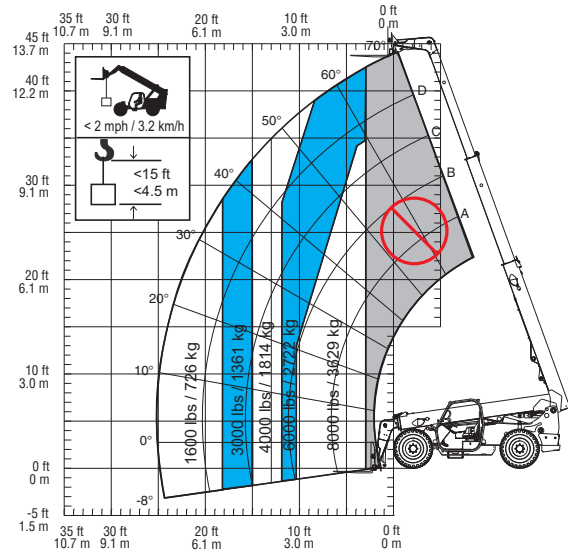
Tire load maximum	15,100 lbs	6849 kg
Occupied floor pressure	184 psf	8.8 kPa

Load Charts

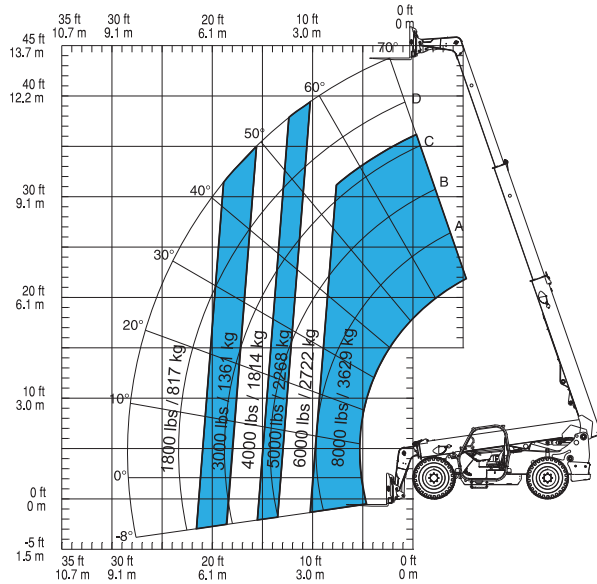
GTH-844 Standard Carriage



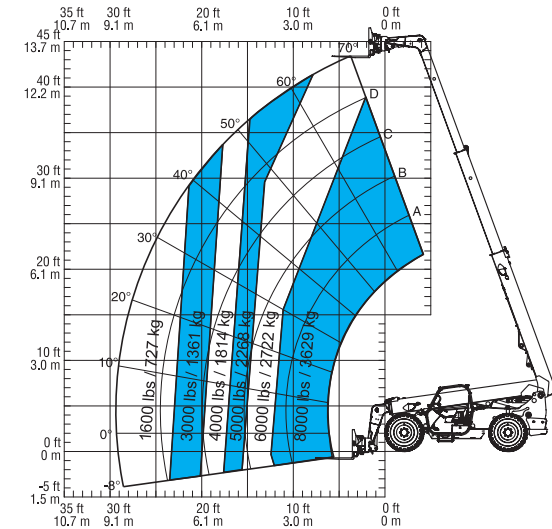
GTH-844 Quick Attach Lifting Point



GTH-844 Rotate Carriage



GTH-844 Swing Carriage



Distributed By:

California Proposition 65

Warning

The exhaust from this product contains chemicals known to the State of California to cause cancer, birth defects or other reproductive harm.