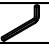





ASSEMBLY INSTRUCTION

Item: 258-70-436 Wall Desk

Thank you for purchasing this quality product. Be sure to unpack carefully for small parts which may have come loose during shipment.

Read all instruction and study the drawing carefully before starting the assembly.

HARDWARE LIST				
NO	DRAWING	DESCRIPTION	SIZE	Qty
A		Allen Wrench	5mm	1pc
B		Bolt	Ø5/16**1-1/4"	8pcs
C		Lock washer	Ø5/16"	8pcs
D		Flat washer	Ø5/16**19mm	8pcs

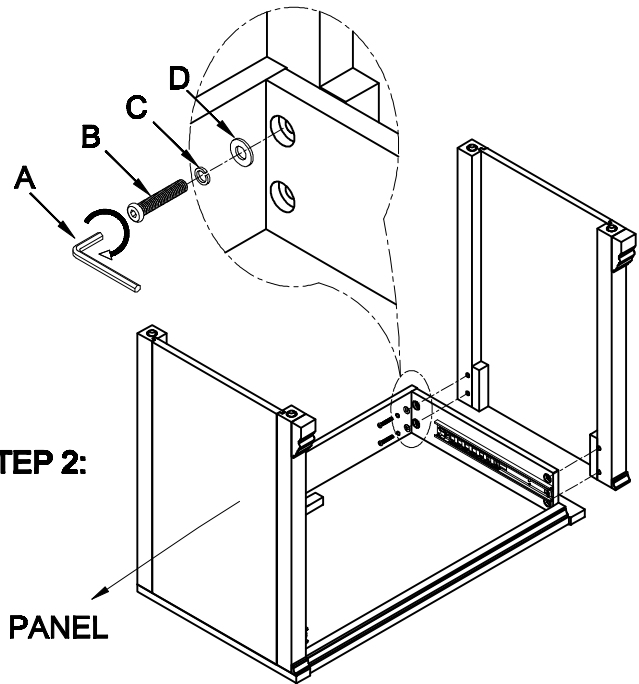
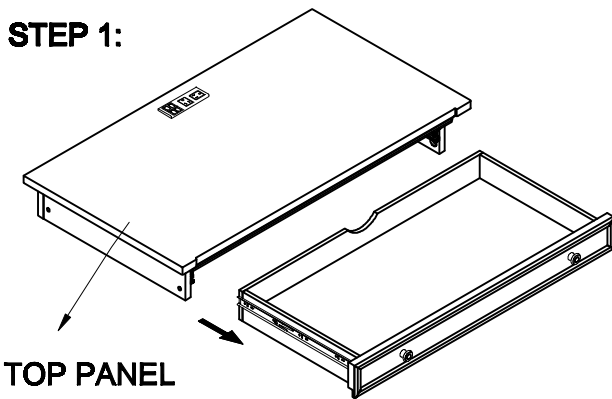
STEP 1. Remove drawers

STEP 2. Turn over top panel, use Allen Wrench assemble top panel and end panels with parts B,C,D.

STEP 3. Replace drawers .

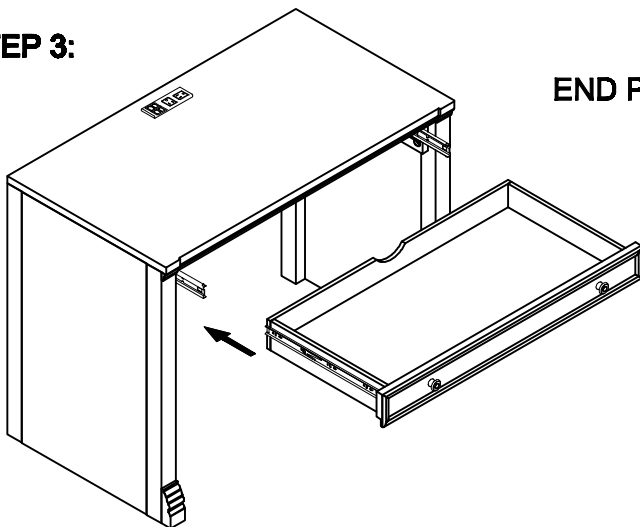
STEP 4. Adjust levelers to required height.

STEP 1:



STEP 2:

STEP 3:



STEP 4:

