



ERS SERIES

# Steel Equipment Rack

Owner's Manual



## Thank you for choosing Auray.

Auray's equipment racks come in 8-space, 12-space, 16-space, and 22-space configurations. Vented side panels promote airflow throughout the rack. Each model has a maximum weight capacity of 440 lb. They are supported by three-inch casters for easy movement and access to the back of your gear.

## Precautions

- Please read and follow these instructions, and keep this manual in a safe place.
- Keep this product away from children.
- To avoid damage to this product, be careful not to overtighten or improperly thread any of the threaded fittings.
- Do not exceed the maximum load capacity.
- All images are for illustrative purposes only.

## Specifications

**Max. weight capacity:** 440 lb. (199.6 kg)

**Dimensions:** 8U: 20.5" × 19.7" × 18.1" (52 × 50 × 46 cm)  
12U: 27.6" × 19.7" × 18.1" (70 × 50 × 46 cm)  
16U: 34.4" × 19.7" × 18.1" (87.5 × 50 × 46 cm)  
22U: 44.9" × 19.7" × 18.1" (114 × 50 × 46 cm)

**Weight:** 8U: 30.2 lb. (13.7 kg)  
12U: 34.4 lb. (15.6 kg)  
16U: 38.4 lb. (17.4 kg)  
22U: 44.75 lb. (20.3 kg)

**Wheel diameter:** 3" (7.6 cm)

**Construction:** Steel

# Overview

Top plate **1**

Side plate ( $\times 2$ ) **2**

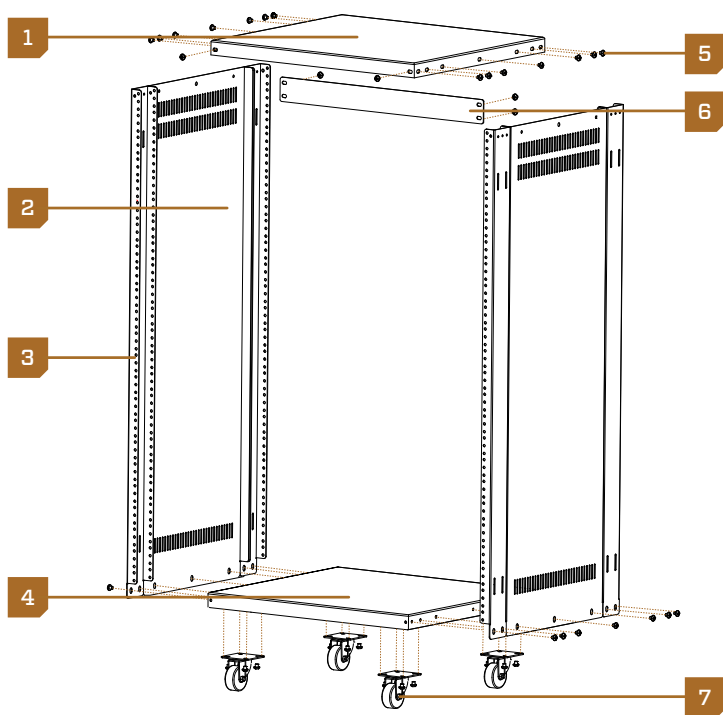
Corner columns ( $\times 4$ ) **3**

Bottom plate **4**

Assembly screws **5**

Back plate **6**

Casters ( $\times 4$ ) **7**



# Three-Year Limited Warranty

This AURAY product is warranted to the original purchaser to be free from defects in materials and workmanship under normal consumer use for a period of three (3) years from the original purchase date or thirty (30) days after replacement, whichever occurs later. The warranty provider's responsibility with respect to this limited warranty shall be limited solely to repair or replacement, at the provider's discretion, of any product that fails during normal use of this product in its intended manner and in its intended environment. Inoperability of the product or part(s) shall be determined by the warranty provider. If the product has been discontinued, the warranty provider reserves the right to replace it with a model of equivalent quality and function.

This warranty does not cover damage or defect caused by misuse, neglect, accident, alteration, abuse, improper installation or maintenance. EXCEPT AS PROVIDED HEREIN, THE WARRANTY PROVIDER MAKES NEITHER ANY EXPRESS WARRANTIES NOR ANY IMPLIED WARRANTIES, INCLUDING BUT NOT LIMITED TO ANY IMPLIED WARRANTY OF MERCHANTABILITY OR FITNESS FOR A PARTICULAR PURPOSE. This warranty provides you with specific legal rights, and you may also have additional rights that vary from state to state.

To obtain warranty coverage, contact the Auray Customer Service Department to obtain a return merchandise authorization ("RMA") number, and return the defective product to Auray along with the RMA number and proof of purchase. Shipment of the defective product is at the purchaser's own risk and expense.

For more information or to arrange service, visit [www.aurayaudio.com](http://www.aurayaudio.com) or call Customer Service at 212-594-2353.

Product warranty provided by the Gradus Group.  
[www.gradusgroup.com](http://www.gradusgroup.com)

