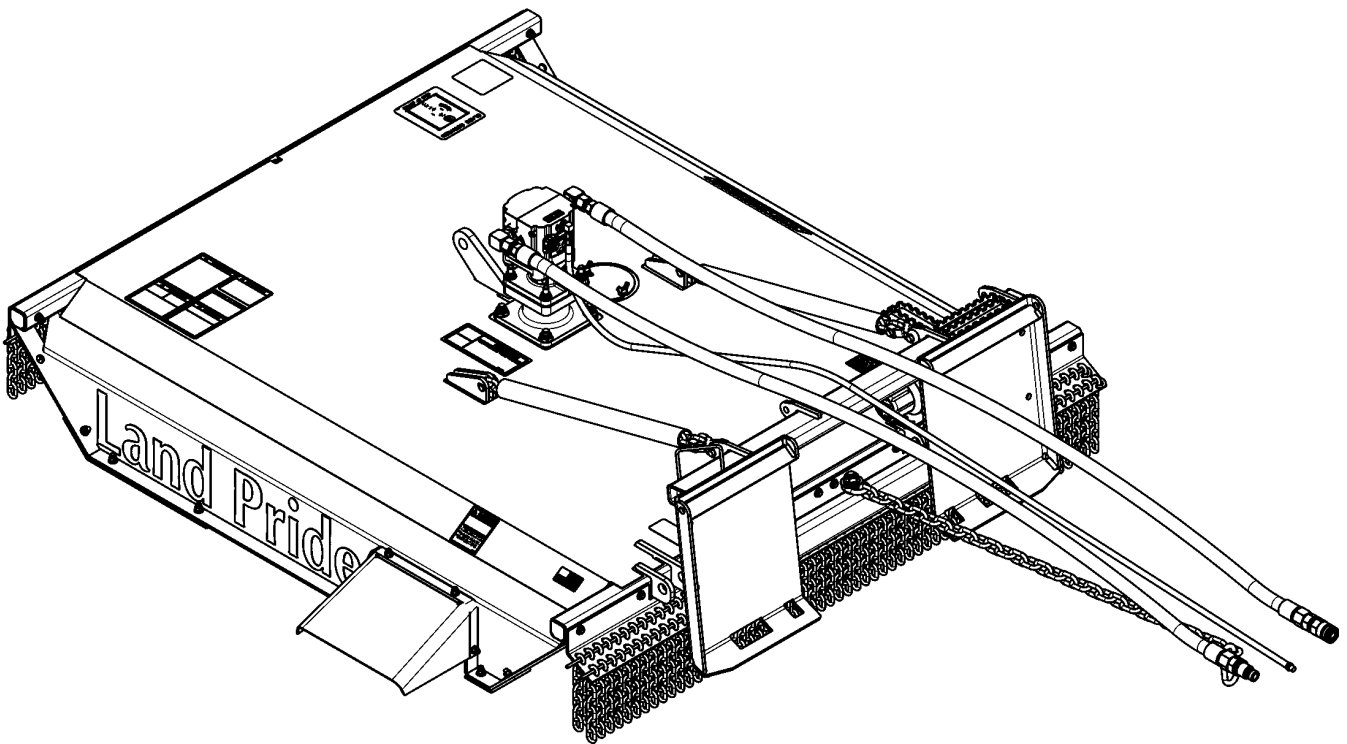


Rotary Cutters

SC2660 & SC2672 Skid Steer



24538

326-025P **Parts Manual**



Read the Operator's Manual entirely. When you see this symbol, the subsequent instructions and warnings are serious - follow without exception. Your life and the lives of others depend on it!

© Copyright 2017 Printed 06/12/17

Cover photo may show optional equipment not supplied with standard unit.





Table of Contents

Section 1: Introduction.....	4
Using This Manual.....	4
Manual Replacement Information.....	4
Manual Revisions.....	4
Touch-up Paint.....	4
Hardware Legend.....	5
Replacement Hardware.....	5
Serial Numbers.....	5
Part Number Service Coding.....	5
Section 2: Cutter Assembly.....	6
Blade Drive.....	6
Blade Drive S/N 733875-.....	8
Blade Drive S/N 733876+.....	10
Deck.....	12
Guard Chain Front.....	14
Guard Chain Rear.....	16
Hitch.....	18
Section 3: Gauge Wheel.....	20
Gauge Wheel S/N 790935-.....	20
Gauge Wheel S/N 790936+.....	22
Section 4: Hydraulics.....	24
Hydraulic Motor & Hose Assembly (Eaton).....	24
Hydraulic Motor 11-16 GPM Casappa (826-563C).....	26
Hydraulic Motor 17-21 GPM Casappa (826-565C).....	28
Hydraulic Motor 22-27 GPM Casappa (826-566C).....	30
Hydraulic Motor 4.9 Cubic Inch Eaton (850-090C).....	32
Hydraulic Motor 6.2 Cubic Inch Eaton (850-091C).....	34
Hydraulic Motor 7.9 Cubic Inch Eaton (850-029C).....	36
Spindle Hub Assembly (826-110C).....	38
Section 5: Gearboxes.....	40
Flex Coupler (826-548C).....	40
Gearbox (826-380C) Comer.....	42
Section 6: Labels.....	44
Label Placement.....	44
Land Pride Touch-up Paints.....	46
Section 7: Options & Accessories.....	48
Protective Door Components.....	48
Part Number Index.....	50

© Copyright 2017. All rights reserved.

Land Pride provides this publication “as is” without warranty of any kind, either expressed or implied. While every precaution has been taken in the preparation of this manual, Land Pride assumes no responsibility for errors or omissions. Neither is any liability assumed for damages resulting from the use of the information contained herein. Land Pride reserves the right to revise and improve its products as it sees fit. This publication describes the state of this product at the time of its publication, and may not reflect the product in the future. The illustrations in this manual are not intended for safe and proper assembly or disassembly of equipment. The illustrations are intended for ordering parts only.

Land Pride is registered trademark.

All other brands and product names are trademarks or registered trademarks of their respective holders.

Printed in the United States of America.



Alphabetized Table of Contents

B	
Blade Drive.....	6
Blade Drive S/N 733875-.....	8
Blade Drive S/N 733876+.....	10
D	
Deck.....	12
F	
Flex Coupler (826-548C).....	40
G	
Gauge Wheel S/N 790935-.....	20
Gauge Wheel S/N 790936+.....	22
Gearbox (826-380C) Comer.....	42
Guard Chain Front.....	14
Guard Chain Rear.....	16
H	
Hitch.....	18
Hydraulic Motor & Hose Assembly (Eaton).....	24
Hydraulic Motor 11-16 GPM Casappa (826-563C).....	26
Hydraulic Motor 17-21 GPM Casappa (826-565C).....	28
Hydraulic Motor 22-27 GPM Casappa (826-566C).....	30
Hydraulic Motor 4.9 Cubic Inch Eaton (850-090C).....	32
Hydraulic Motor 6.2 Cubic Inch Eaton (850-091C).....	34
Hydraulic Motor 7.9 Cubic Inch Eaton (850-029C).....	36
L	
Label Placement.....	44
Land Pride Touch-up Paints.....	46
P	
Protective Door Components.....	48
S	
Spindle Hub Assembly (826-110C).....	38

General Information

Using This Manual

This manual is divided into sections. The first section contains General Information. The remaining sections divide the machine into segments (i.e. Frames, Drives, Hydraulics, etc.) which illustrate and list all parts. A Parts Number Index is located at the back of the book.

The Land Pride parts in this manual are specially designed for this machine and should be replaced with Land Pride parts only.

The information in this manual is current at time of printing. Some parts may change to assure top performance.

Right-hand and left-hand as used in this manual are determined by facing the direction the machine will travel while in use.

Below is an example of two facing pages from a parts manual. Familiarize yourself with the type of information contained on these pages.

Manual Replacement Information

Replacement manuals are available. Refer to our website at www.landpride.com or e-mail us at lit@landpride.com for additional information. Our website continues to provide the most up-to-date manuals available.

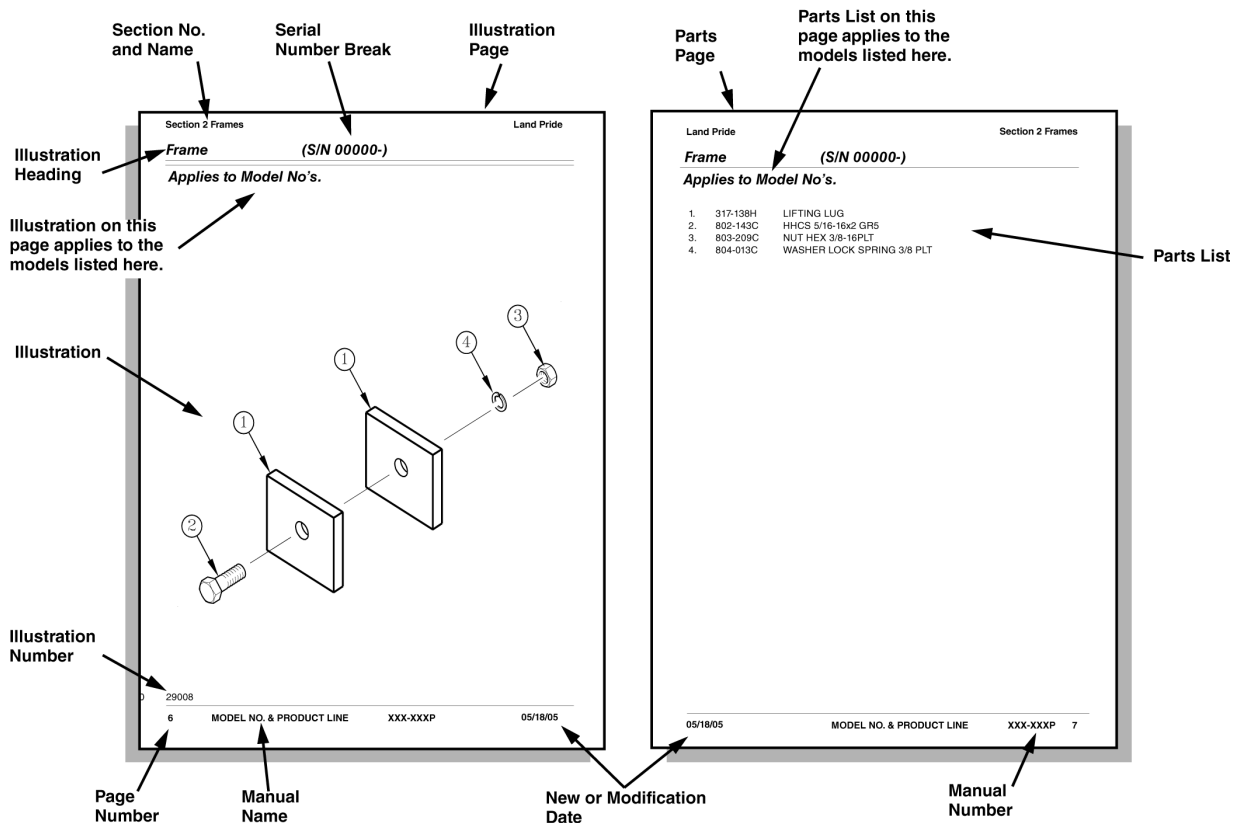
Touch-up Paint

Repaint parts where paint is worn or scratched to prevent rust. Aerosol cans and touch-up bottles with brush applicator are available through your local dealer. Land Pride color descriptions and part numbers are listed below. Also available are quart and gallon size paints. Add QT or GL to end of the Aerosol P/N.

Color	Product*	Aerosol	Touch-Up
Gloss Black	LP	821-070C	821-070CTU
Beige	LP	821-011C	821-011CTU
Green	SLP	821-058C	821-058CTU
Orange	SLP	821-066C	821-066CTU
Red	SLP	821-054C	821-054CTU
Blue	SLP	821-067C	821-067CTU

Notes:

- * LP = All Land Pride Products
- SLP = Select Land Pride Products that are available in optional Green, Orange and Red.



General Information

Hardware Legend

AR	As Required
BLADE	Blade Bolt
C	Cap Screw
CP	Cotter Pin
CPHSSS	Cup Point Hex Socket Set Screw
CPSHSS	Cup Point Square Head Set Screw
CPSQHSS	Cup Point Square Head Set Screw
CRFCHMS3	Cross Recess Flat Countersunk Head Machine Screw
CRPHMS	Cross Recess Pan Head Machine Screw
CRPHTF	Cross Recess Pan Head Thread Forming
CRRHMS	Cross Recess Round Head Machine Screw
CRTHMS	Cross Recess Truss Head Machine Screw
CSNB	Countersunk Square Neck Bolt
FHMS	Flat Head Machine Screw
FTC	Full Thread Cap Screw
H	Hex Nut
HCLN	Hex Center Lock Nut
HFLCS	Hex Flange Lock Cap Screw
HFS	Hex Flange Screw
HFSLN	Hex Flange Serrated Lock Nut
HFSS	Hex Flange Serrated Screw
HHCS	Hex Head Cap Screw or Metric Bolt
HSBHCS	Hex Socket Button Head Cap Screw
HSFCHCS	Hex Socket Flat Countersunk Head Cap Screw
HSHCS	Hex Socket Head Cap Screw
HSSS	Hex Socket Head Screw
HTLN	Hex Top Lock Nut
HWHCS	Hex Washer Head Cap Screw

HWHMS	Hex Washer Head Machine Screw
HXBHCS	Hex Socket Button Head Cap Screw
J	Hex Jam Nut
JIC	37 Degree Tapered Thread
L	Helical Spring Lock Washer
LUG	Lug Bolt
NFC	National Fine Cap Screw
NPSM	National Pipe Straight Mechanical
NPTF	National Pipe Taper Fuel
P	Wide Plain Washer
PHMS	Pan Head Machine Screw
PLOW	Plow Bolt
RHMS	Round Head Machine Screw
RHSNB	Round Head Square Neck Bolt
SCREW LEVELING	Leveling Screw
SCREW THUMB	Thumb Screw
SCREW WELD	Weld Screw
SFCHMS	Slotted Flat Countersunk Head Machine Screw
SFHMS	Slotted Fillister Head Machine Screw
SP	Special
SP SCREW	Special Screw
SQHSS	Square Head Set Screw
SRHMS	Slotted Round Head Machine Screw
SSS	Socket Set Screw
STCS	Self Tapping Cap Screw
STHMS	Slotted Truss Head Machine Screw
WHEEL	Wheel Studs and Hub Long Bolts
WING	Wing Bolt

Replacement Hardware

The **Hardware Legend** above lists hardware abbreviations used in the parts list. All bolts and nuts are Grade 5 unless otherwise noted. The use of improper grades of hardware can result in personal injury, damage to equipment, or loss of property.

Colored Replacement Parts

Land Pride offers replacement parts in factory standard colors and also on select models in Green, Orange, Red and Blue. Because of the variety of colors available, special attention must be given to the part number to prevent ordering the wrong replacement part.

A suffix number corresponding to one of the colors below must be added at the end of Land Pride's part number when ordering a replacement part with that color.

81 Green 83 Red
82 Orange 84 Blue

For example, if you are ordering a replacement part with part number 555-555C and the part you need is red, then add the suffix 83 to the end of the number to make the part number read 555-555C83. Parts ordered without a suffix number will be supplied in factory standard colors.

Black Replacement Parts

Some parts are factory standard black and some must be special ordered black. If your part is special ordered black, a second part number with the additional suffix number 85 on the end will be available. In this situation you must order that part with the suffix number for it to be black. Parts that are factory standard black will not have the suffix number.

Part Number Service Coding

Within the parts list some part numbers are coded for revisions and interchangeability. See notations in revision column.

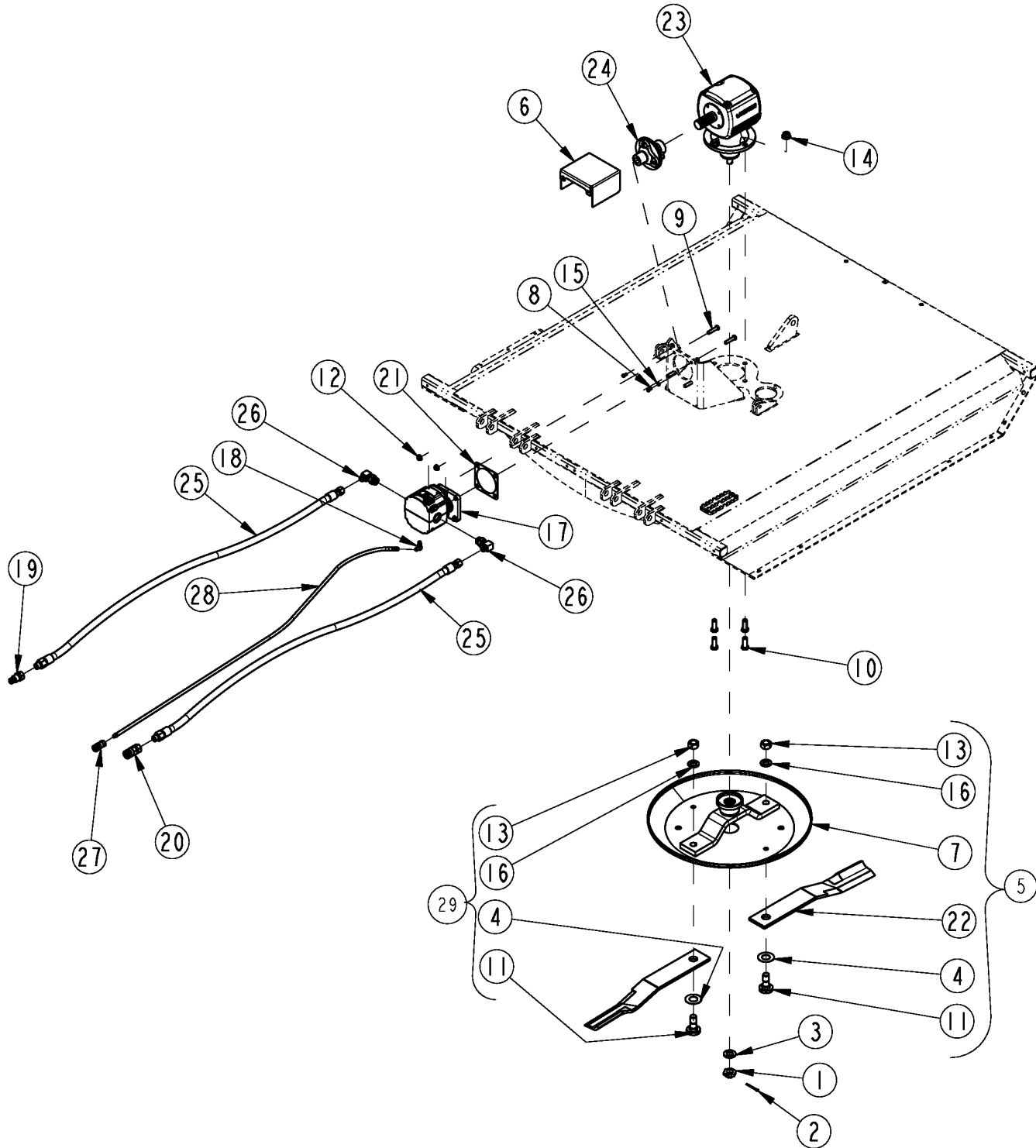
Serial Numbers

Always use the serial and model number when ordering parts. Refer to the Operator's Manual for serial number plate location.

- (S/N 20001+) Includes serial numbers 20001 and above (to the latest number)
- (S/N 10001 to 20000) Includes serial numbers between and including 10001 and 20000
- (S/N 10000-) Includes serial numbers 10000 and below (to the earliest number)

Blade Drive

Applies to SC2672



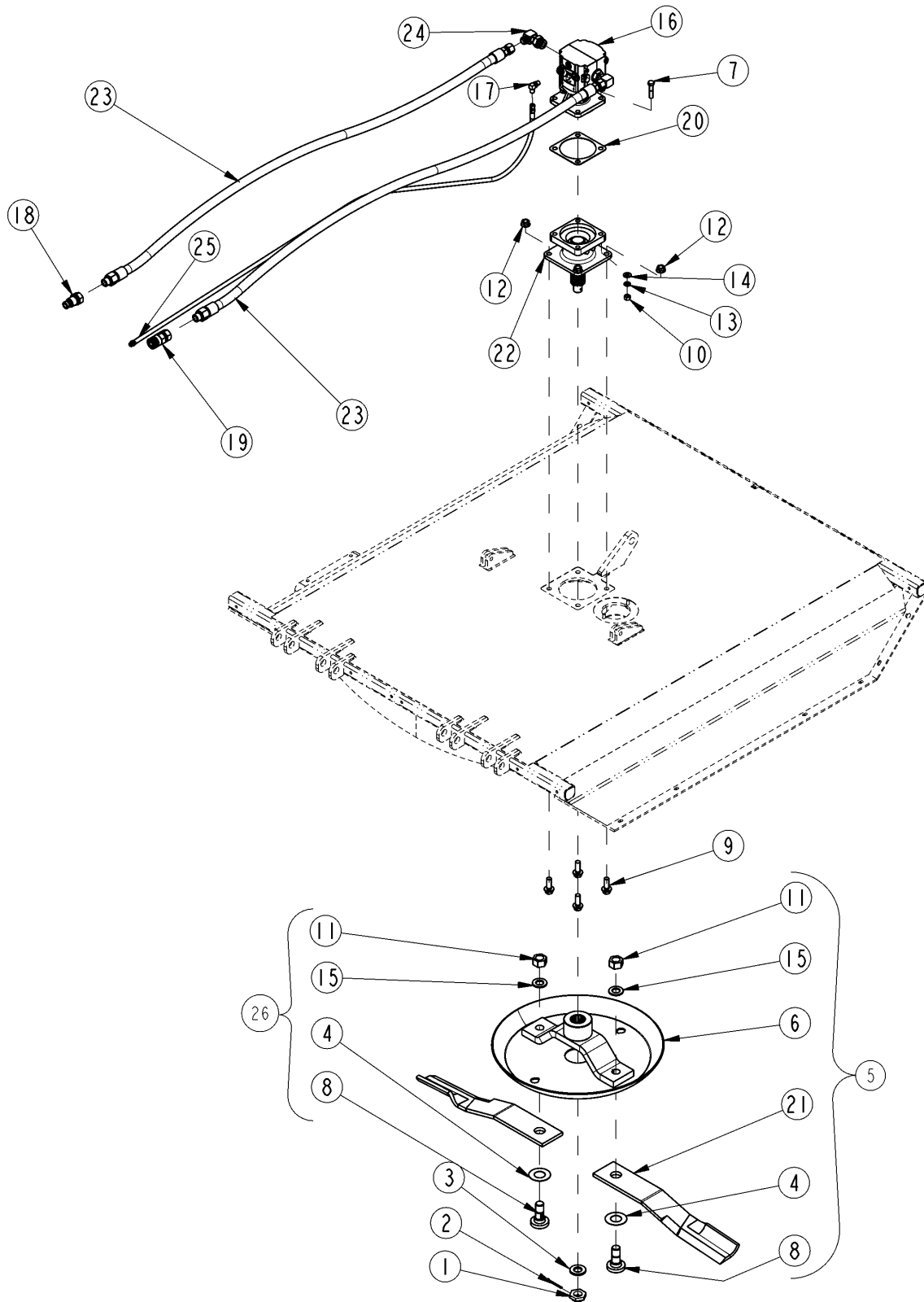
25690

Blade Drive**Applies to SC2672**

Ref	Part No.	Part Description	Comments	Revision
	Dwg 25690	Drawing Image Number		
1.	8.2.2.00555	CO NUT, CASTLE M30 X 2		
2.	8.4.7.00146	CO COTTER PIN B6 X 60		
3.	0.139.7101.00	CO BLANK WASHER		
4.	312-075D	BLADE SPACER 16 GA. .06 thick	As Required S/N 776426-	
4.	312-082D	BLADE SPACER 18 GA. .058 thick	As Required S/N 776426-	
4.	312-089D	BLADE SPACER 20 GA. .035 thick	As Required S/N 776426-	
4.	312-808D	BLADE SPACER 24 GA. .023 thick	As Required S/N 776426-	
5.	N/A	BLADE ASSY SC2672		
6.	326-096H	GUARD WELDMENT		
7.	327-144H	WLDMT. DISHPAN RCR2672	S/N 915018+	
7.	312-811H	RPBY 327-144H	S/N 915017-	
8.	802-007C	HHCS 5/16-18X3/4 GR5		
9.	802-038C	HHCS 1/2-13X2 1/4 GR5		
10.	802-064C	HHCS 3/4-10X2 GR5		
11.	802-277C	BLD BLT 1 1/8-12X3.44 W/.25KEY		
12.	803-169C	NUT HEX FLG LOCK 1/2-13 PLT		
13.	803-170C	NUT HEX TOP LOCK 1 1/8-12 PLT.		
14.	803-299C	NUT HEX FLG TOP LK 3/4-10 PLT		
15.	804-009C	WASHER LOCK SPRING 5/16 PLT		
16.	804-147C	WASHER FLAT 1" HARDENED		
17.	810-566C	RPBY 327-197A OR 327-200A	Obsolete	
17.	810-565C	RPBY 327-196A OR 327-199A	Obsolete	
18.	811-065C	EL 9/16MJIC 9/16MORB		
19.	851-947C	CUP 1 1/16FORB MALE QUICK CPLR		
19.	811-744C	RPBY 851-947C	Obsolete	
20.	851-948C	CUP 1 1/16FORB FML QUICK CPLR		
20.	811-745C	RPBY 851-948C	Obsolete	
21.	816-182C	GASKET - MOTOR		
22.	820-249C	CUTTER BLADE 1/2X4X29 CW		
23.	826-380C	GBOX RC35 1.75-20 1.21:1 STD.		
24.	826-548C	FLEX-COUPLER 1.75 20 X 12-24		
25.	841-110C	HH5/8R16S 080 1.06FJIC1.06MORB		
26.	841-153C	EL 1 1/16MJIC 1 5/16MORB		
27.	841-539C	CP 3/8 FEMALE QD 3/8FNPT	Optional As Required	
28.	851-354C	HH3/8R17 080 3/8MNPT9/16FJIC		
29.	318-586A	BLADE BOLT KIT		

Blade Drive S/N 733875-

Applies to SC2660



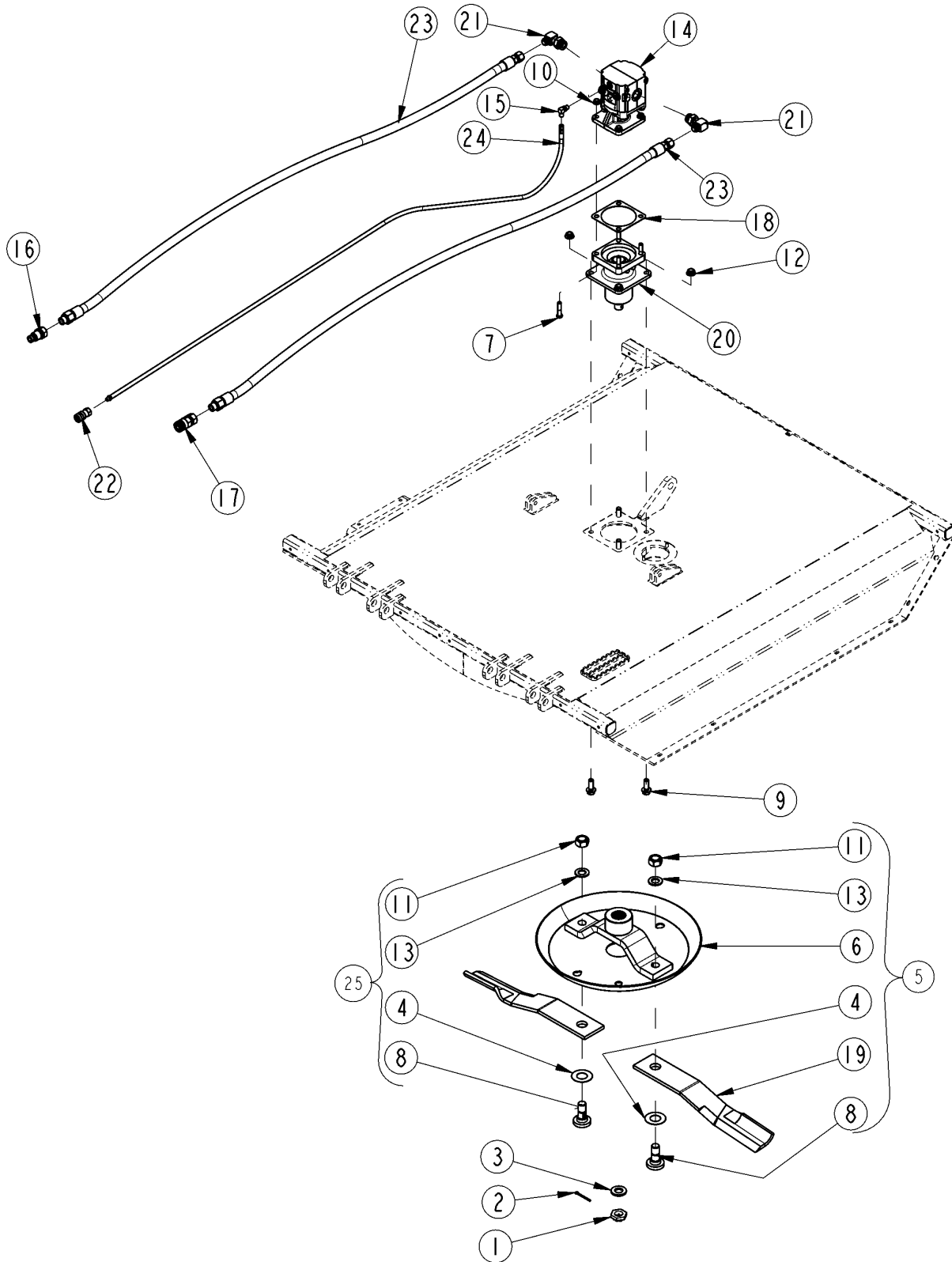
24570

Blade Drive S/N 733875-**Applies to SC2660**

Ref	Part No.	Part Description	Comments	Revision
	Dwg 24570	Drawing Image Number		
1.	8.2.2.00555	CO NUT, CASTLE M30 X 2		
2.	8.4.7.00146	CO COTTER PIN B6 X 60		
3.	0.139.7101.00	CO BLANK WASHER		
4.	312-075D	BLADE SPACER 16 GA .06 Thick	As Required S/N 776426-	
4.	312-082D	BLADE SPACER 18 GA .058 Thick	As Required S/N 776426-	
4.	312-089D	BLADE SPACER 20 GA .035 Thick	As Required S/N 776426-	
4.	312-808D	BLADE SPACER 24 GA .023 Thick	As Required S/N 776426-	
5.	N/A	RCP2660 BLADE CARRIER ASSY		
6.	316-124H	DISHPAN WELDMENT SPCL-HUB		
7.	802-038C	HHCS 1/2-13X2 1/4 GR5		
8.	802-277C	BLADE BOL 1 1/8-12X3 7/16 W/KY		
9.	802-657C	HFS 5/8-11 X 1 3/4 GR5/8		
10.	803-020C	NUT HEX 1/2-13 PLT		
11.	803-170C	NUT HEX TOP LOCK 1 1/8-12 PLT.		
12.	803-263C	NUT HEX FLANGE LOCK 5/8-11 PLT		
13.	804-015C	WASHER LOCK SPRING 1/2 PLT		
14.	804-016C	WASHER FLAT 1/2 SAE PLT		
15.	804-147C	WASHER FLAT 1" HARDENED		
16.	810-563C	RPBY 327-195A OR 327-198A	Obsolete	
16.	810-565C	RPBY 327-196A OR 327-199A	Obsolete	
16.	810-566C	RPBY 327-197A OR 327-200A	Obsolete	
17.	811-065C	EL 9/16MJIC 9/16MORB		
18.	851-947C	CUP 1 1/16FORB MALE QUICK CPLR		
18.	811-744C	RPBY 851-947C	Obsolete	
19.	851-948C	CUP 1 1/16FORB FML QUICK CPLR		
19.	811-745C	RPBY 851-948C	Obsolete	
20.	816-182C	GASKET - MOTOR		
21.	820-112C	CUTTER BLADE 1/2 X 4 X 25 CW		
22.	826-110C	SPINDLE HUB ASSY	Beige in Color	
23.	841-110C	HH5/8R2 080 1 1/16FJIC 1 1/16M		
24.	841-153C	EL 1 1/16MJIC 1 5/16MORB		
25.	841-154C	HH3/8R2 082 9/16MORB 9/16FJIC		
26.	318-586A	BLADE BOLT KIT	With Manual	

Blade Drive S/N 733876+

Applies to SC2660



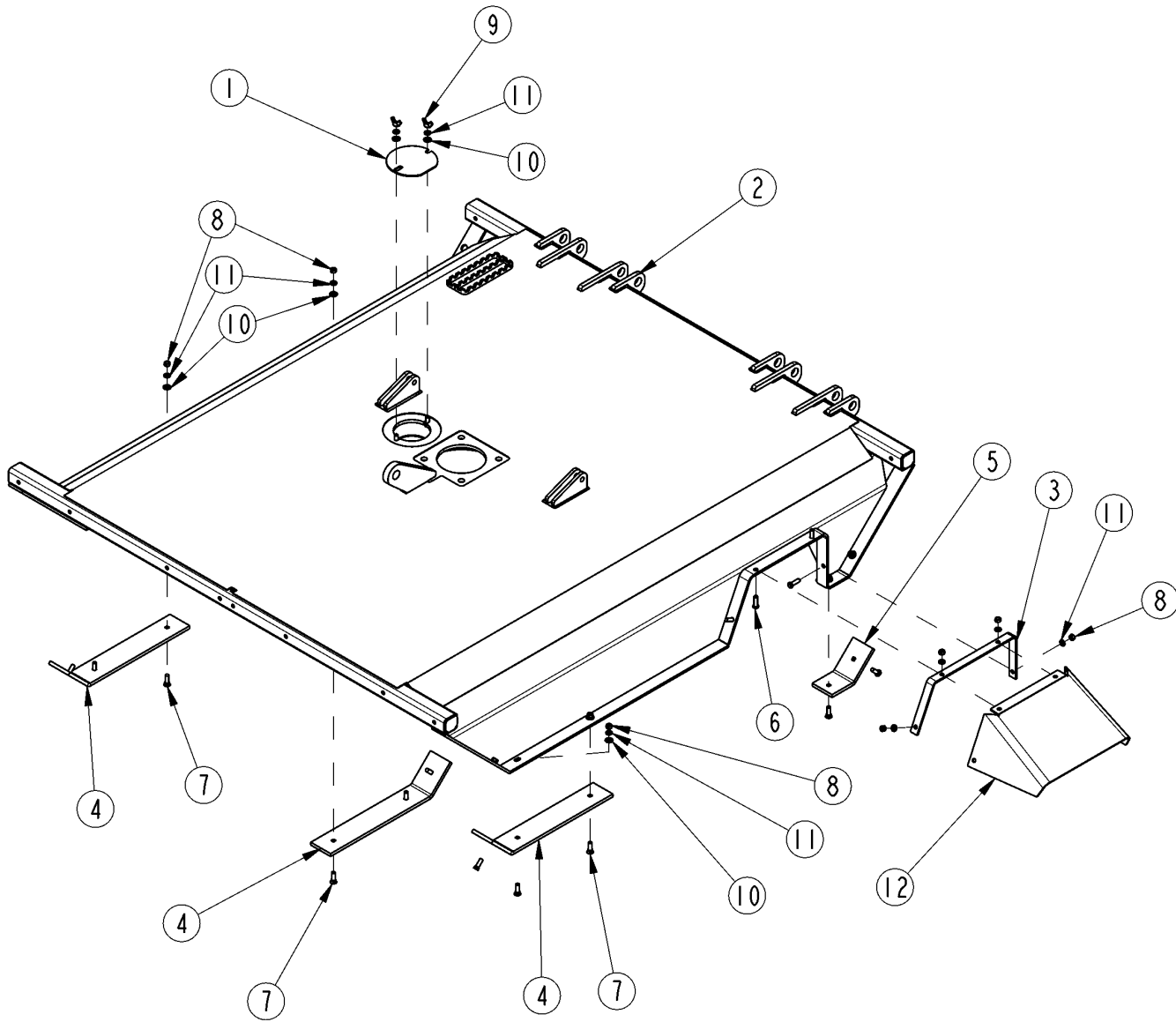
30756

Blade Drive S/N 733876+**Applies to SC2660**

Ref	Part No.	Part Description	Comments	Revision
	Dwg 30756	Drawing Image Number		
1.	8.2.2.00555	CO NUT, CASTLE M30 X 2		
2.	8.4.7.00146	CO COTTER PIN B6 X 60		
3.	0.139.7101.00	CO BLANK WASHER		
4.	312-082D	BLADE SPACER 18 GA. .058 thick	As Required S/N 776426-	
4.	312-075D	BLADE SPACER 16 GA. .06 thick	As Required S/N 776426-	
4.	312-089D	BLADE SPACER 20 GA. .035 thick	As Required S/N 776426-	
4.	312-808D	BLADE SPACER 24 GA. .023 thick	As Required S/N 776426-	
5.	N/A	BLADE CARRIER ASSY		
6.	316-124H	DISHPAN WELDMENT SPCL-HUB		
7.	802-038C	HHCS 1/2-13X2 1/4 GR5		
8.	802-277C	BLD BLT 1 1/8-12X3.44 W/.25KEY		
9.	802-657C	HFS 5/8-11 X 1 3/4 GR8		
10.	803-169C	NUT HEX FLG LOCK 1/2-13 PLT		
11.	803-170C	NUT HEX TOP LOCK 1 1/8-12 PLT.		
12.	803-263C	NUT HEX FLANGE LOCK 5/8-11 PLT		
13.	804-147C	WASHER FLAT 1" HARDENED		
14.	810-563C	RPBY 327-195A OR 327-198A	Obsolete	
14.	810-565C	RPBY 327-196A OR 327-199A	Obsolete	
14.	810-566C	RPBY 327-197A OR 327-200A	Obsolete	
15.	811-065C	EL 9/16MJIC 9/16MORB		
16.	851-947C	CUP 1 1/16FORB MALE QUICK CPLR		
16.	811-744C	RPBY 851-947C	Obsolete	
17.	851-948C	CUP 1 1/16FORB FML QUICK CPLR		
17.	811-745C	RPBY 851-948C	Obsolete	
18.	816-182C	GASKET - MOTOR		
19.	820-112C	CUTTER BLADE 1/2 X 4 X 25 CW		
20.	826-110C	SPINDLE HUB ASSY		
21.	841-153C	EL 1 1/16MJIC 1 5/16MORB		
22.	841-539C	CP 3/8 FEMALE QD 3/8FNPT	Optional As Required	
23.	841-544C	HH5/8R16S 094 1.06FJIC1.06MORB		
24.	841-545C	HH3/8R17 096 3/8MNPT9/16FJIC		
25.	318-586A	BLADE BOLT KIT		

Deck

Applies to SC2660, SC2672



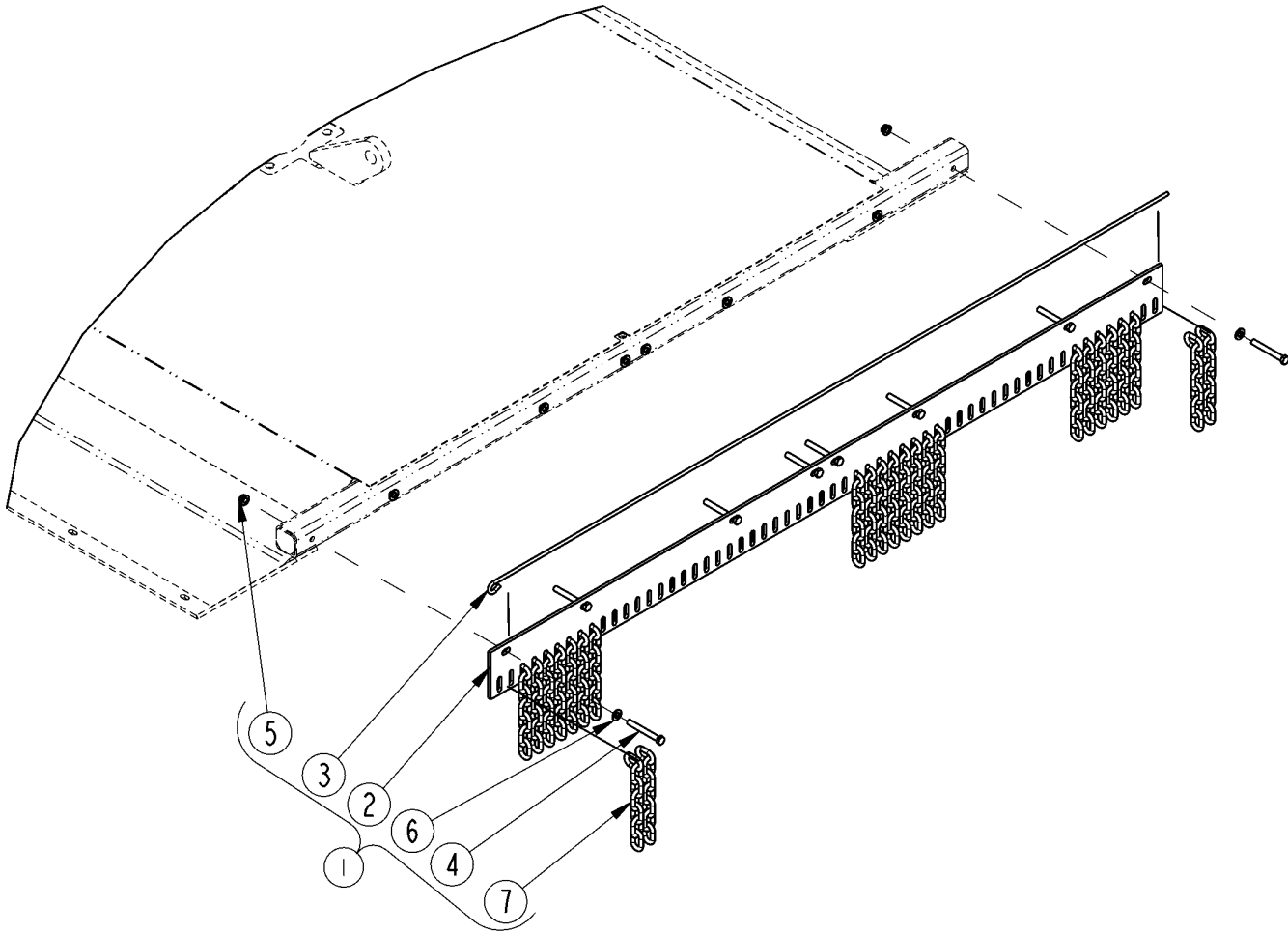
24572

Deck**Applies to SC2660, SC2672**

Ref	Part No.	Part Description	Comments	Revision
	dwg24572	Drawing Image Number		
1.	312-647D85	BLADE BOLT ACCESS COVER		
2.	326-011H	SKID STEER DECK WELDMENT	SC2660	
2.	326-086H	DECK WELDMENT SC2672	SC2672	
3.	326-264D	DISCHARGE BOLT STRIP	SC2660	
3.	326-396D	DISCHARGE BOLT STRIP	SC2672	
4.	326-343D	SKID SHOE HEAVY	Optional-Heavy 3/8 Thick	
4.	312-602D	SKID SHOE		
5.	326-344D	SKID SHOE HEAVY SHORT	Optional-Heavy 3/8 Thick	
5.	326-276D	DECK RUNNER LH REAR	Optional-Standard 1/4 Thick	
6.	802-079C	HHCS 3/8-16X1 1/4 GR5		
7.	802-466C	PLOW 3/8-16X1 1/4 GR5		
8.	803-013C	NUT LOCK 3/8-16 PLT		
9.	803-231C	NUT WING 3/8-16 PLT		
10.	804-012C	WASHER FLAT 3/8 SAE PLT		
11.	804-013C	WASHER LOCK SPRING 3/8 PLT		
12.	816-515C	DISCHARGE CHUTE	SC2660	
12.	816-577C	DISCHARGE CHUTE	SC2672	

Guard Chain Front

Applies to SC2660, SC2672



24530

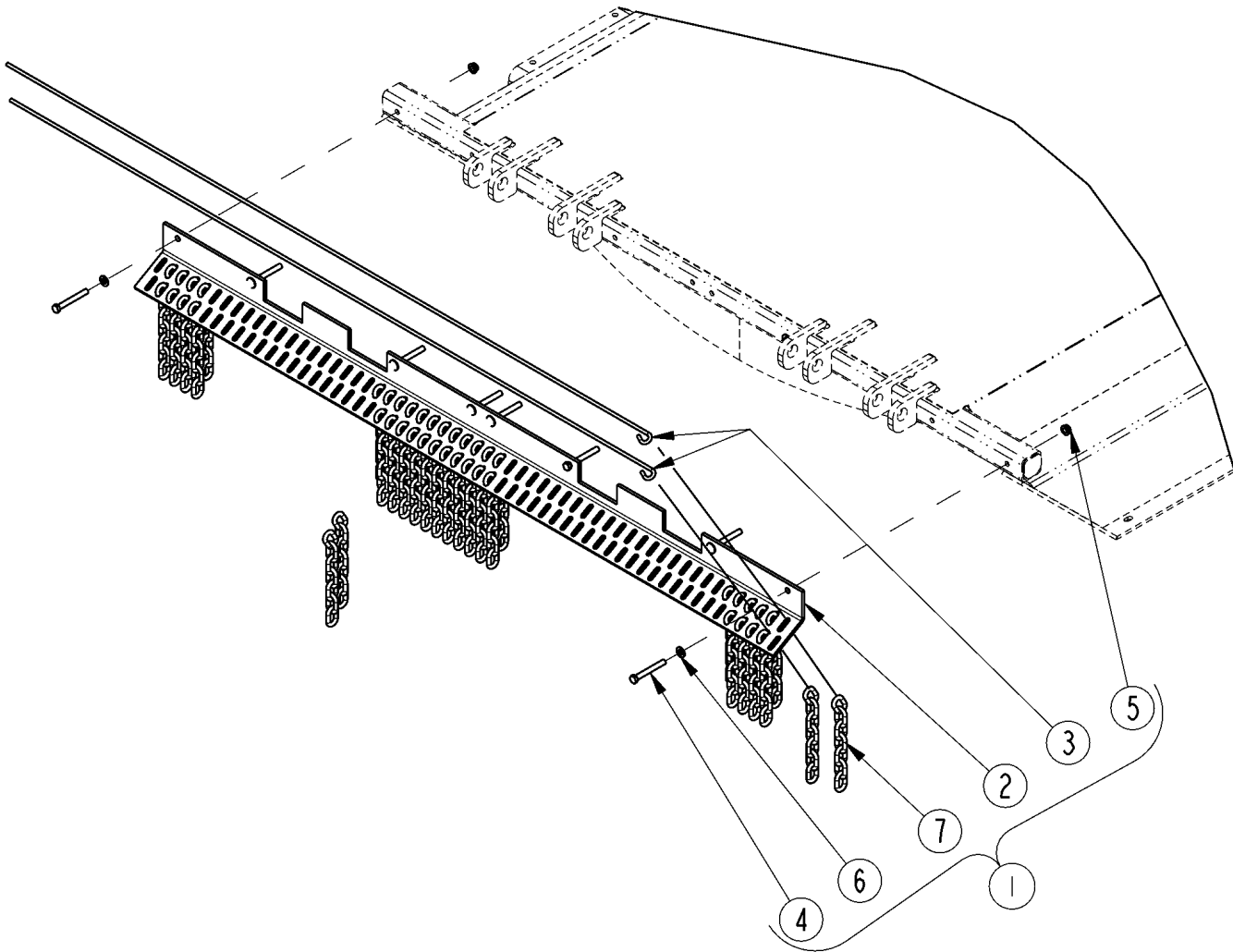
Guard Chain Front

Applies to SC2660, SC2672

Ref	Part No.	Part Description	Comments	Revision
	dwg24530	Drawing Image Number		
1.	326-008K	FRONT CHAIN GUARD	SC2660	
1.	326-077K	FRONT CHAIN GUARD	SC2672	
2.	326-256D	FRONT CHAIN GUARD MOUNT	SC2660	
2.	326-391D	FRONT CHAIN GUARD MOUNT	SC2672	
3.	326-283D	CHAIN RETAINER	SC2660	
3.	326-392D	CHAIN RETAINER	SC2672	
4.	802-024C	HHCS 3/8-16X3 GR5		
5.	803-198C	NUT HEX WHIZ 3/8-16 PLT		
6.	804-012C	WASHER FLAT 3/8 SAE PLT		
7.	890-393C	CHAIN WELD 5/16 PROOF X 7-LINK		

Guard Chain Rear

Applies to SC2660, SC2672



24531

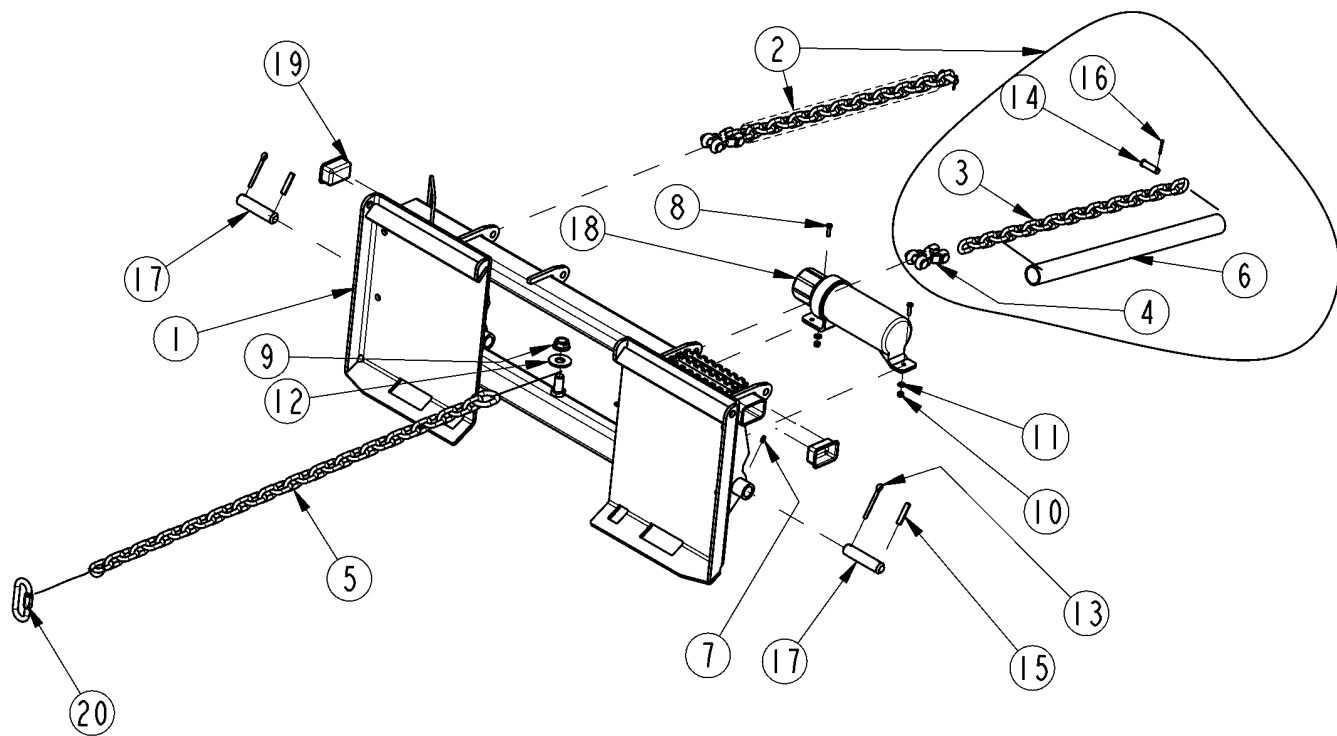
Guard Chain Rear

Applies to SC2660, SC2672

Ref	Part No.	Part Description	Comments	Revision
	dwg24531	Drawing Image Number		
1.	326-007K	REAR DOUBLE CHAIN GUARD	SC2660	
1.	326-078K	REAR DOUBLE CHAIN GUARD	SC2672	
2.	326-255D	REAR DOUBLE CHAIN MOUNT	SC2660	
2.	326-393D	REAR DOUBLE CHAIN MOUNT	SC2672	
3.	326-283D	CHAIN RETAINER	SC2660	
3.	326-392D	CHAIN RETAINER	SC2672	
4.	802-024C	HHCS 3/8-16X3 GR5		
5.	803-198C	NUT HEX WHIZ 3/8-16 PLT		
6.	804-012C	WASHER FLAT 3/8 SAE PLT		
7.	890-393C	CHAIN WELD 5/16 PROOF X 7-LINK		

Hitch

Applies to SC2660, SC2672



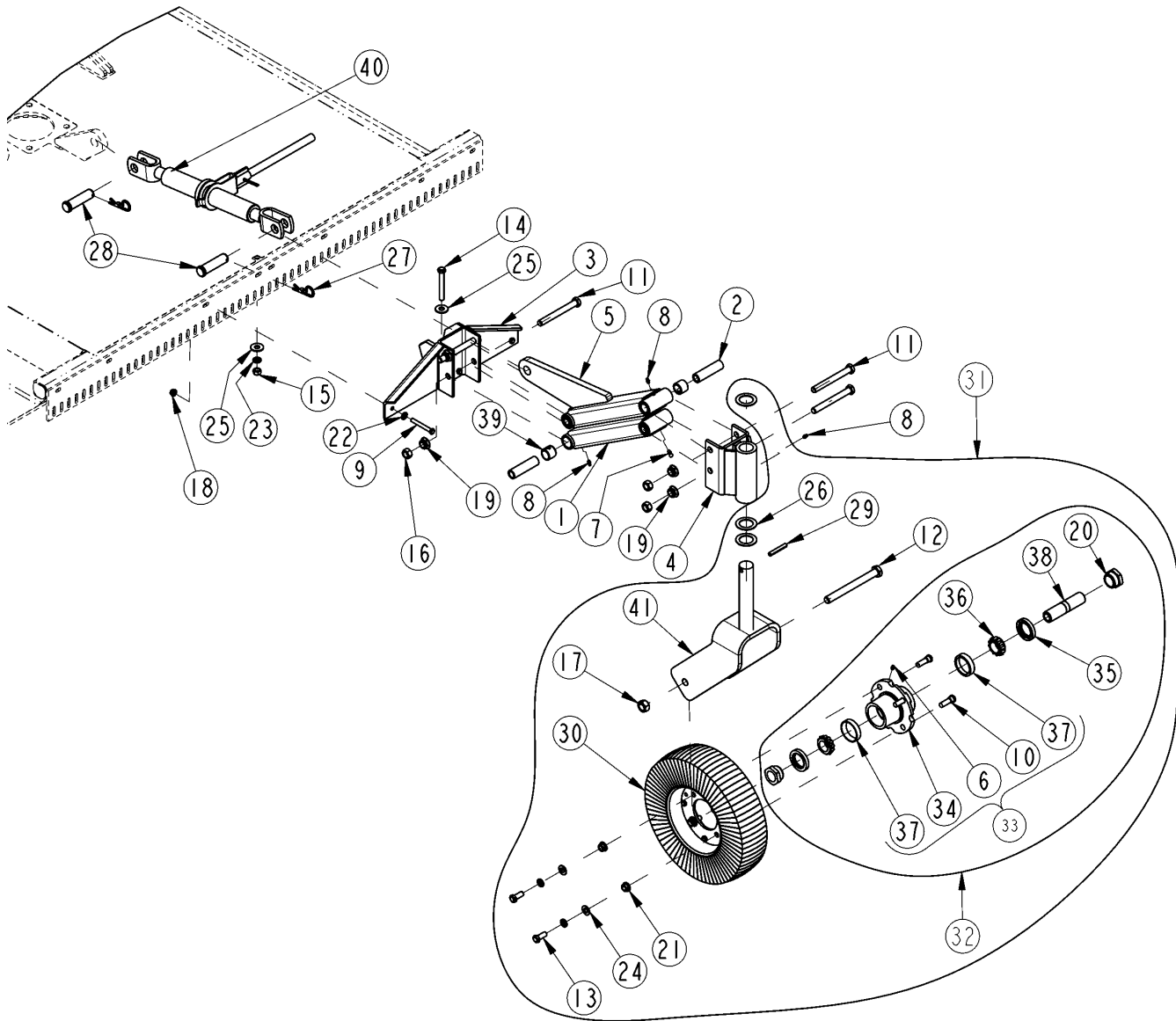
24569

Hitch**Applies to SC2660, SC2672**

Ref	Part No.	Part Description	Comments	Revision
	dwg24569	Drawing Image Number		
1.	326-009H	SKID STEER CUTTER HITCH WLDMT		
2.	326-026K	FLOAT CHAIN ASSEMBLY	SC2660	
3.	326-341D	FLOAT CHAIN 3/8 PROOF	SC2660	
3.	326-394D	FLOAT CHAIN 3/8 PROOF	SC2672	
4.	326-342D	CHAIN CLEVIS 7/16-1/2MID LINK		
5.	327-206D	HEIGHT ADJ. CHAIN	S/N 797275+	
5.	326-354D	HEIGHT ADJUSTMENT 3/8 PROOF	S/N 797274-	
6.	326-370D	CHAIN COVER	SC2660	
6.	326-395D	CHAIN COVER	SC2672	
7.	800-080C	GREASE ZERK 1/4-28 THD FORMING		
8.	802-005C	HHCS 1/4-20X1 GR5		
9.	803-181C	NUT HEX FLANGE LOCK 3/4-10 PLT		
10.	803-255C	NUT HEX NYLOCK 1/4-20		
11.	804-007C	WASHER FLAT 1/4 SAE PLT		
12.	804-024C	WASHER FLAT 3/4 USS PLT		
13.	805-085C	PIN COTTER 5/16 X 2 1/2		
14.	805-127C	PIN CLEVIS 1/2 X 1 3/4		
15.	805-249C	PIN ROLL 3/8 X 2 PLT		
16.	805-363C	PIN COTTER 1/8 X 1		
17.	805-384C	SKID STEER HITCH PIN		
18.	816-481C	MANUAL STORAGE CONTAINER		
19.	817-387C	PLASTIC END CAP 3X2X3/16 WL TB		
20.	890-931C	QUICK LINK 1/2"		

Gauge Wheel S/N 790935-

Applies to SC2660, SC2672



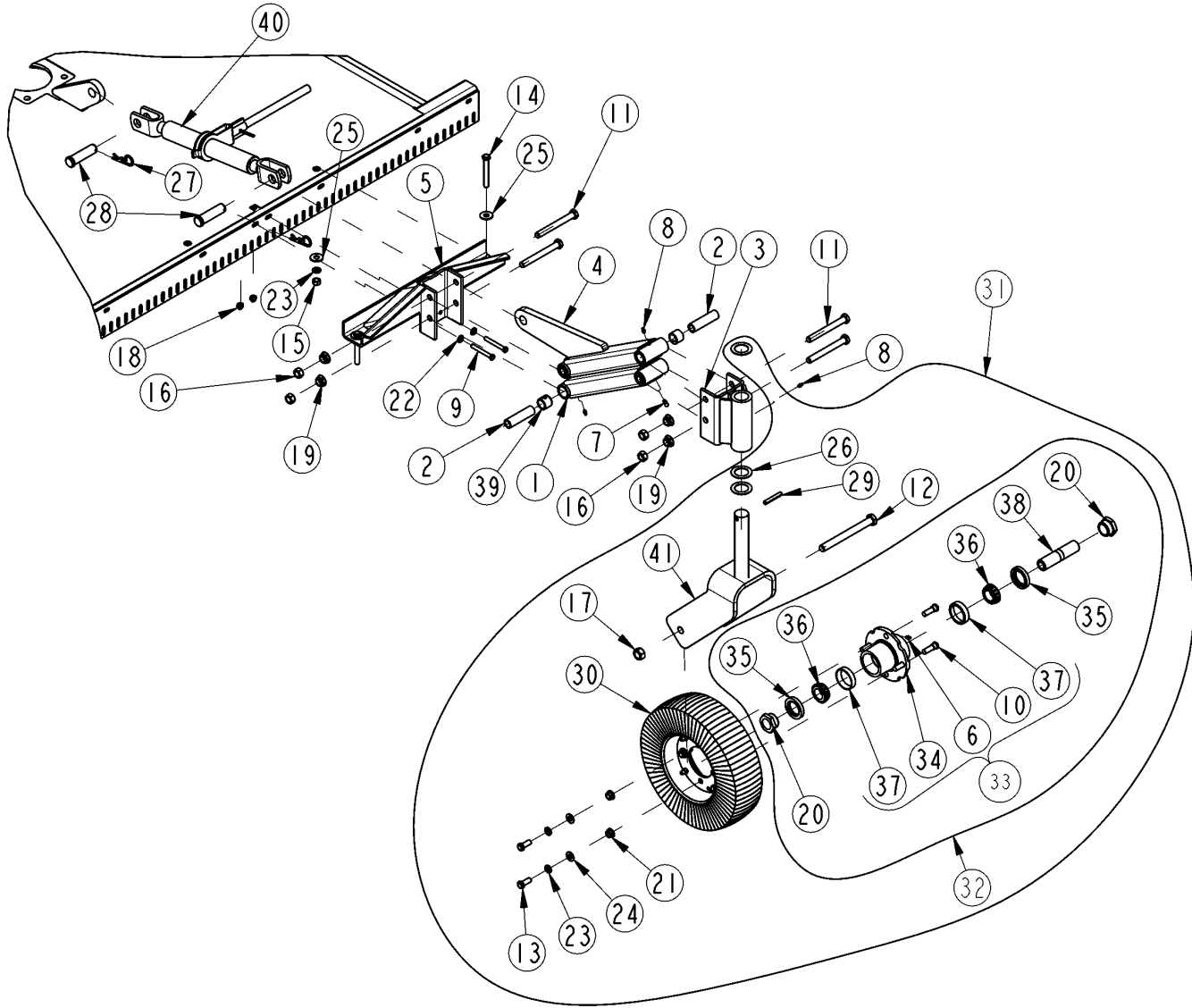
24529

Gauge Wheel S/N 790935-**Applies to SC2660, SC2672**

Ref	Part No.	Part Description	Comments	Revision
	dwg24529	Drawing Image Number		
	326-004A	GAUGE WHEEL ASSEMBLY		
1.	321-003H85	LOWER PARALLEL ARM WLDMNT		
2.	321-011D	PIVOT BUSHING		
3.	326-003H	GAUGE WHEEL DECK MOUNT		
4.	326-005H	GAUGE WHEEL YOKE MOUNT		
5.	326-006H	UPPER ARM WELDMENT		
6.	800-001C	GREASE ZERK STRAIGHT 1/4-28		
7.	800-073C	GREASE ZERK 1/4-28 X 90-DEG		
8.	800-080C	GREASE ZERK 1/4-28 THD FORMING		
9.	802-024C	HHCS 3/8-16X3 GR5		
10.	802-135C	HUB STUD 1/2-20X1 5/8 GR5		
11.	802-254C	HHCS 5/8-11X5 1/2 GR5		
12.	802-280C	HHCS 3/4-10X7 1/2 GR5		
13.	802-326C	HHCS 1/2-20X1 1/4 GR5		
14.	802-853C	HHCS 1/2-13X3 3/4 GR8		
15.	803-020C	NUT HEX 1/2-13 PLT		
16.	803-021C	NUT HEX 5/8-11 PLT		
17.	803-026C	NUT LOCK 3/4-10 PLT		
18.	803-198C	NUT HEX WHIZ 3/8-16 PLT		
19.	803-263C	NUT HEX FLANGE LOCK 5/8-11 PLT		
20.	803-289C	NUT HEX 1 1/4-7(MACHINED)PLAIN		
21.	803-308C	NUT HEX FLG/LK 1/2-20 PLT GR G		
22.	804-012C	WASHER FLAT 3/8 SAE PLT		
23.	804-015C	WASHER LOCK SPRING 1/2 PLT		
24.	804-016C	WASHER FLAT 1/2 SAE PLT		
25.	804-017C	WASHER FLAT 1/2 USS PLT		
26.	804-066C	WASHER MACH 2.25 X 1.50 X 14GA		
27.	805-088C	PIN, HAIR COTTER 3/16 WIRE DIA	Included w/ Item 40	
28.	805-090C	PIN CLEVIS 1 X 3 3/16 LG	Included w/ Item 40	
29.	805-255C	PIN ROLL 3/8 X 2 1/2 PLT		
30.	814-058C	TIRE & WHEEL LAMINATED 4.0 X 8		
31.	814-161C	LAM 4X8 TR-WL-HUB-YOKE 25 SER.		
32.	815-092C	HUB & SPINDLE ASSY 4 BOLT		
33.	815-230C	HUB 4 BLT W/CUPS, ZERK & STUDS		
34.	N/A	HUB 4BLT DUCTILE(USE 815-230C)		
35.	816-286C	OIL SEAL DBL LIP 2.441 BORE		
36.	822-091C	BRG 1.25ID CONE 15123		
37.	822-092C	BRG CUP 2.44OD 15245		
38.	827-036C	BUSHING TW 1.25ODX.78IDX5 1/4		
39.	890-005C	BUSHING CYL 1 1/4 X 1 X 1		
40.	890-177C	RATCHET JACK - HEAVY DUT		
41.	890-961C	RC25 TAILWHEEL YOKE		

Gauge Wheel S/N 790936+

Applies to SC2660, SC2672



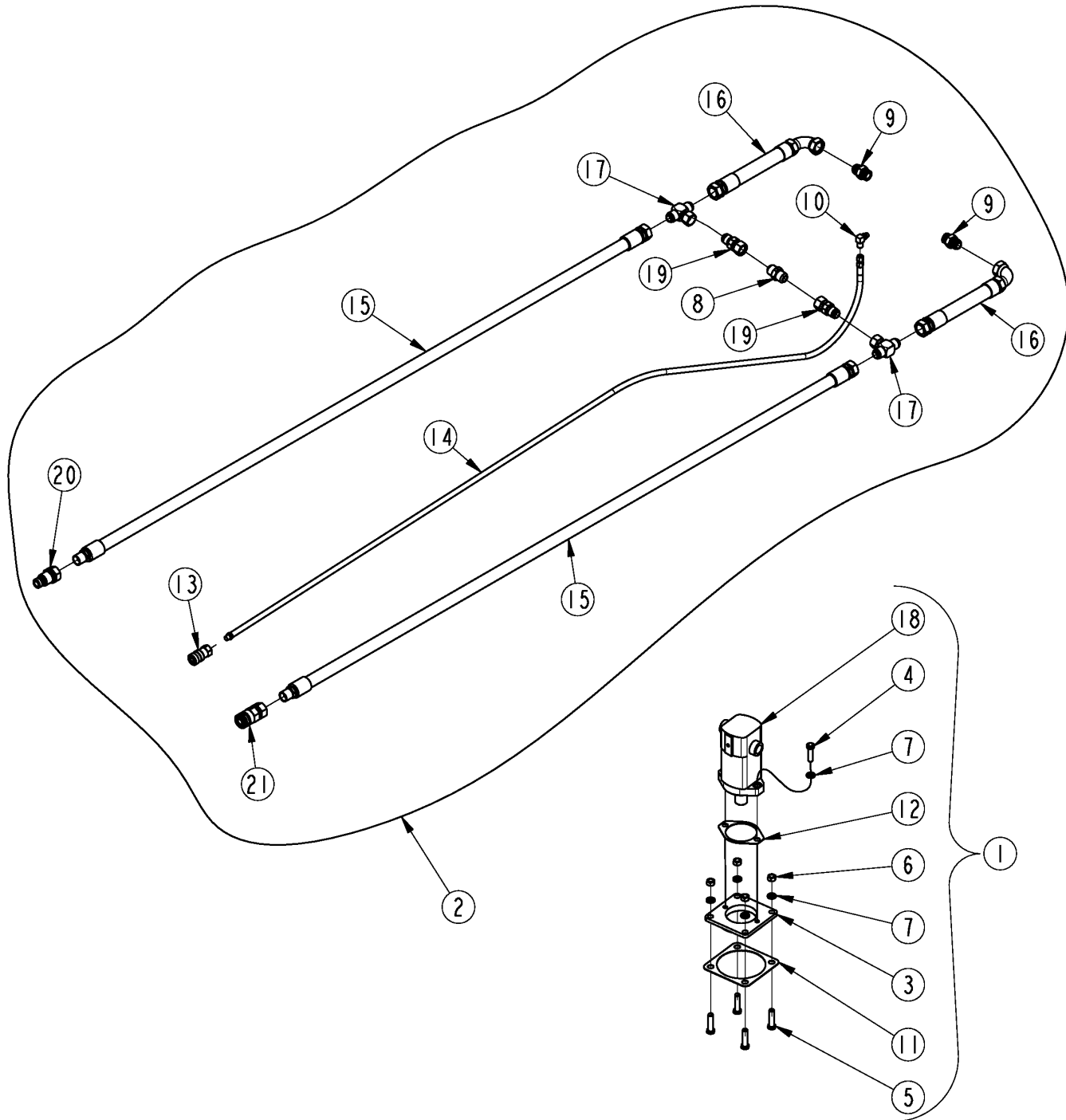
35425

Gauge Wheel S/N 790936+**Applies to SC2660, SC2672**

Ref	Part No.	Part Description	Comments	Revision
	Dwg 35425 326-004A	Drawing Image Number GAUGE WHEEL ASSEMBLY *		
1.	321-003H85	LOWER PARALLEL ARM WLDMNT		
2.	321-011D	PIVOT BUSHING		
3.	326-005H	GAUGE WHEEL YOKE MOUNT		
4.	326-006H	UPPER ARM WELDMENT		
5.	326-637H	GAUGE WHEEL MOUNT		
6.	800-001C	GREASE ZERK STRAIGHT 1/4-28		
7.	800-073C	GREASE ZERK 1/4-28 X 90-DEG		
8.	800-080C	GREASE ZERK 1/4-28 THD FORMING		
9.	802-024C	HHCS 3/8-16X3 GR5		
10.	802-135C	HUB STUD 1/2-20X1 5/8 GR5		
11.	802-254C	HHCS 5/8-11X5 1/2 GR5		
12.	802-280C	HHCS 3/4-10X7 1/2 GR5		
13.	802-326C	HHCS 1/2-20X1 1/4 GR5		
14.	802-853C	HHCS 1/2-13X3 3/4 GR8		
15.	803-020C	NUT HEX 1/2-13 PLT		
16.	803-021C	NUT HEX 5/8-11 PLT		
17.	803-026C	NUT LOCK 3/4-10 PLT		
18.	803-198C	NUT HEX WHIZ 3/8-16 PLT		
19.	803-263C	NUT HEX FLANGE LOCK 5/8-11 PLT		
20.	803-289C	NUT HEX 1 1/4-7(MACHINED)PLAIN		
21.	803-308C	NUT HEX FLG/LK 1/2-20 PLT GR G		
22.	804-012C	WASHER FLAT 3/8 SAE PLT		
23.	804-015C	WASHER LOCK SPRING 1/2 PLT		
24.	804-016C	WASHER FLAT 1/2 SAE PLT		
25.	804-017C	WASHER FLAT 1/2 USS PLT		
26.	804-066C	WASHER MACH 2.25 X 1.50 X 14GA		
27.	805-088C	PIN, HAIR COTTER 3/16 WIRE DIA		
28.	805-090C	PIN CLVS 1.0X3.20 USBL		
29.	805-255C	PIN ROLL 3/8 X 2 1/2 PLT		
30.	814-058C	TIRE & WHEEL LAMINATED 4.0 X 8		
31.	814-161C	LAM 4X8 TR-WL-HUB-YOKE 25 SER.		
32.	815-092C	HUB & SPINDLE ASSY 4 BOLT		
33.	815-230C	HUB 4 BLT W/CUPS, ZERK & STUDS		
34.	N/A	HUB 4BLT DUCTILE(USE 815-230C)		
35.	816-286C	OIL SEAL DBL LIP 2.441 BORE		
36.	822-091C	BRG 1.25ID CONE 15123		
37.	822-092C	BRG CUP 2.44OD 15245		
38.	827-036C	BUSHING TW 1.25ODX.78IDX5 1/4		
39.	890-005C	BUSHING CYL 1 1/4 X 1 X 1		
40.	890-177C	RATCHET JACK - HEAVY DUT		
41.	890-961C	RC25 TAILWHEEL YOKE, 1.5 SHAFT		

Hydraulic Motor & Hose Assembly (Eaton)

Applies to SC2660, SC2672



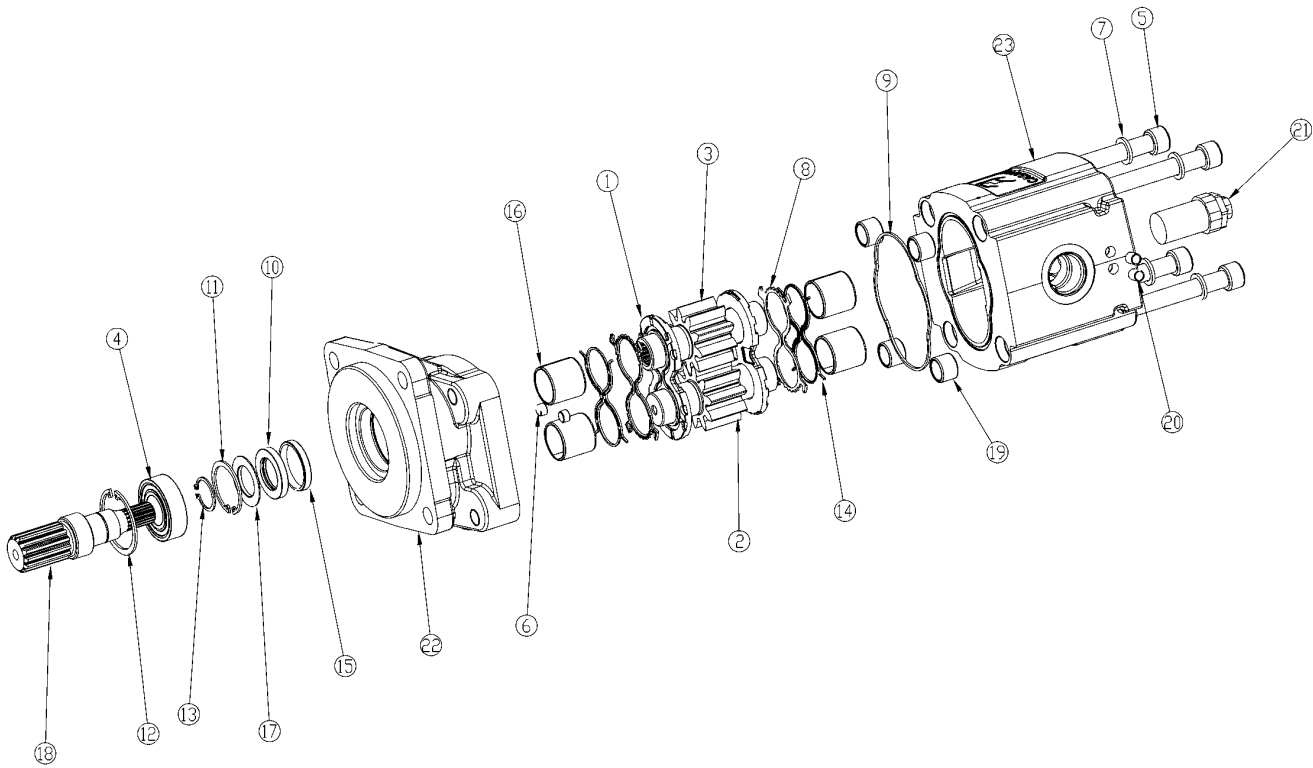
70129

Hydraulic Motor & Hose Assembly (Eaton)**Applies to SC2660, SC2672**

Ref	Part No.	Part Description	Comments	Revision
	Dwg 70129	Image No.		
	327-195A	60" LOW FLOW HYD MOTOR RPLMT		
	327-196A	60" MED FLOW HYD MOTOR RPLMT		
	327-197A	60" HIGH FLOW HYD MOTOR RPLMT		
	327-198A	72" LOW FLOW HYD MOTOR RPLMT		
	327-199A	72" MED FLOW HYD MOTOR RPLMT		
	327-200A	72" HIGH FLOW HYD MOTOR RPLMT		
		*		
1.	326-820A	HYD MOTOR BUNDLE 11-17 GPM	Low flow	
1.	326-821A	HYD MOTOR BUNDLE 18-23 GPM	Medium flow	
1.	326-822A	HYD MOTOR BUNDLE 24-30 GPM	High flow	
2.	326-826L	HYD HOSE BUNDLE SC2560	For 60" cutter	
2.	326-834L	HYD HOSE BUNDLE SC2572	For 72" cutter	
3.	327-359D	ADAPTOR SAE C 4 BOLT TO SAE A		
4.	802-082C	HHCS 1/2-13X1 3/4 GR5		
5.	802-128C	HHCS 1/2-13X2 GR5		
6.	803-020C	NUT HEX 1/2-13 PLT		
7.	804-015C	WASHER LOCK SPRING 1/2 PLT		
8.	810-715C	VALVE 3/4 IN-LINE CHECK		
9.	811-408C	AD 1 1/16MORB 1 1/16MJIC		
10.	811-719C	EL 90 9/16MJIC 7/16MORB		
11.	816-182C	GASKET - MOTOR		
12.	816-887C	GASKET SAE A 2 BOLT		
13.	841-539C	CP 3/8 FEMALE QD 3/8FNPT		
14.	841-545C	HH3/8R17 096 3/8MNPT9/16FJIC	For 60" cutter	
14.	851-354C	HH3/8R17 080 3/8MNPT9/16FJIC	For 72" cutter	
15.	841-566C	HH3/4R17 83.5 1.06FJIC MORB	For 60" cutter	
15.	851-684C	HH3/4R17 65.5 1.06FJIC1.06MORB	For 72" cutter	
16.	841-656C	HH3/4R2 13.5 1.06FJIC(1)90		
17.	841-676C	TEE 1.06FJIC 1.06MJIC 1.06MJIC		
18.	850-090C	HYD MOTOR 4.9 CUIN/REV	Low flow	
18.	850-091C	HYD MOTOR 6.2 CUIN/REV	Medium flow	
18.	850-029C	HYD MOTOR 7.9 CUIN/REV 1.06FOR	High flow	
19.	851-683C	AD 1 1/16FJIC 1 1/16MJIC		
20.	851-947C	CUP 1 1/16FORB MALE QUICK CPLR		
21.	851-948C	CUP 1 1/16FORB FML QUICK CPLR		

Hydraulic Motor 11-16 GPM Casappa (826-563C)

Applies to SC2660



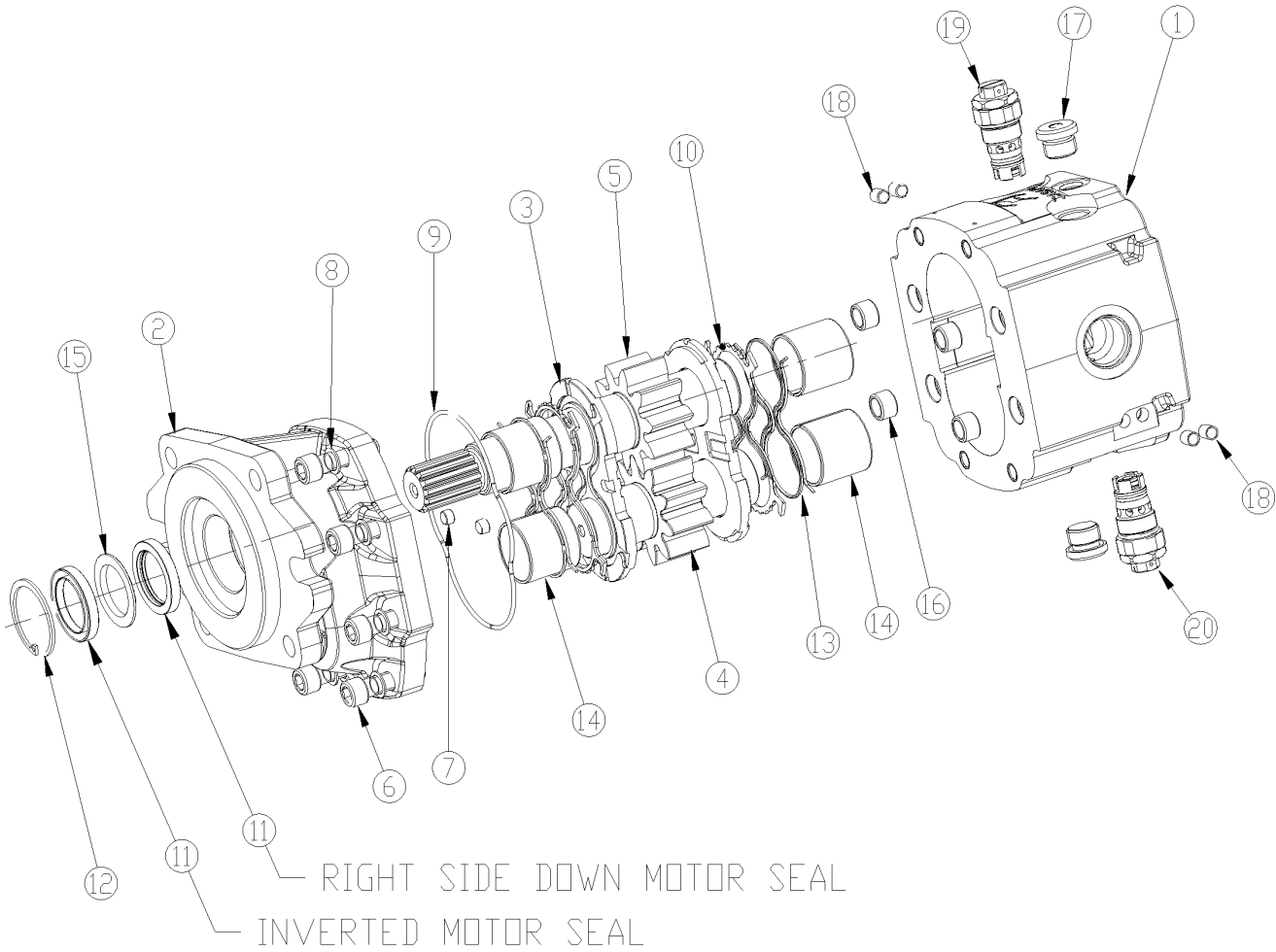
24573

Hydraulic Motor 11-16 GPM Casappa (826-563C)**Applies to SC2660**

Ref	Part No.	Part Description	Comments	Revision
	Dwg 24573 810-563C	Drawing Image Number RPBY 327-195A OR 327-198A *	Obsolete	
1.	25935025	THRUST PLATE F-K-HD 30/AL R(1)		
2.	32747048	DRIVEN GEAR F-K-HD-PL30.51/F		
3.	32749200	DRIVE SHAFTF-HD-K-PL30.51-III		
4.	34265000	BALL BEARING 6205.2RS		
5.	36193050	SCREW TCEI M 14X130-5931 12.9		
6.	37185000	GRUB SCREW 1/8		
7.	37583900	WASHER 14 (15X22X2.5) HV200		
8.	39656150	SEAL KP-FP-HD30 R		
9.	39666150	STANDARD SEAL KP 30 SQUARE SEC		
10.	39955000	SHAFT SEAL BAU2 25X42X6		
11.	40840000	RING 42 UNI 7437		
12.	40880500	RING 52 UNI 7437		
13.	41030000	RING 25 UNI 7435		
14.	41387160	BACK-UP RING Z FP-KP-HD30 R		
15.	41650000	SPACER RING HD 30 VERS. 2		
16.	42395050	SLEEVE BEARING MB 28.30		
17.	45803000	BACK UP WASHER HD BAU2 25X42X6		
18.	46507200	SUPPORT SHAFT HD.30-2-06		
19.	49326000	STEEL BUSHES 21X15		
20.	49591070	PLG KSA CVMS0093110A (DIA 9MM)		
21.	95155002	CSPA CARTRIDGE P(G4-210)	S/N 590468+	
21.	95155201	RPBY 95155002	S/N 590467-	
22.	232636645	CSPA FRONT COVER K30-1/2-S6/CS	S/N 590468+	
22.	PRC03695	RPBY 23263645	S/N 590467-	
23.	21060908	CSPA BODY KM30.51-L-LOF/	S/N 590468+	
23.	PRC03717	RPBY 21060908	S/N 590467-	

Hydraulic Motor 17-21 GPM Casappa (826-565C)

Applies to SC2660, SC2672

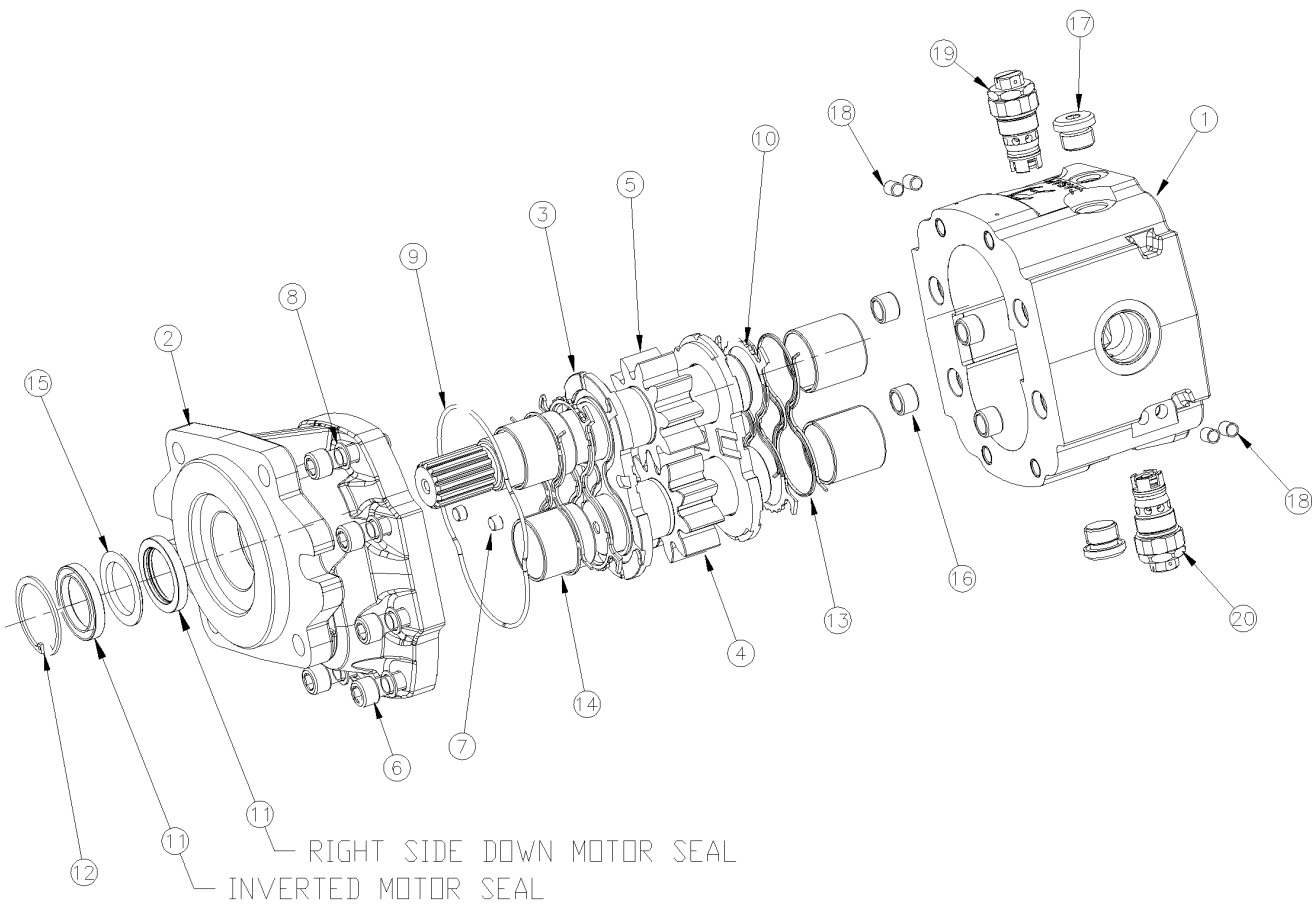


Hydraulic Motor 17-21 GPM Casappa (826-565C)**Applies to SC2660, SC2672**

Ref	Part No.	Part Description	Comments	Revision
	Dwg 24574 810-565C	Drawing Image Number RPBY 327-196A OR 327-199A *	Obsolete	
1.	21067573	CSPA BODY MEDIUM FLOW PUMP		
2.	23267180	CSPA FRONT COVER FP40-0-S6	S/N 590468+	
	23267200	RPBY 23267180	S/N 590467-	
3.	259375592	CSPA THRUST PLATE FP/R AI MACH	S/N 590468+	
3.	25937622	RPBY 25937592	S/N 590467-	
4.	32748404	CASAPPA DRIVEN GEAR		
5.	32748430	CASAPPA DRIVE SHAFT		
6.	35921500	CASAPPA SCREW TCEI M 12X45		
7.	37185000	GRUB SCREW 1/8		
8.	37810000	CSPA WASHER KNURLED 12		
9.	39166000	CASAPPA ORING SEAL PH 2-159		
10.	39656230	CASAPPA SEAL FP40		
11.	40030000	SHAFT SEAL BAUD2 35X50X7		
12.	40880000	CASAPPA RING 50 UNI 7437		
13.	41387250	CASAPPA ANTIEXTRUSION RING Z		
14.	42425000	CSPA SLEEVE BEARING DU F40		
15.	45700000	CSPA BACK UP WASHER GR.4		
16.	49324500	CSPA STEEL BUSHES 18X12		
17.	49468030	CSPA STEEL PLUG TCEI 6 1/2		
18.	49591070	PLG KSA CVMS0093110A (DIA 9MM)		
19.	95155003	CSPA CARTRIDGE P(G3-150)	S/N 590468+	
19.	95155000	RPBY 95155003	S/N 590467-	
20.	95155002	CSPA CARTRIDGE P(G4-210)	S/N 590468+	
20.	95155001	RPBY 95155002	S/N 590467-	

Hydraulic Motor 22-27 GPM Casappa (826-566C)

Applies to SC2660, SC2672



24575

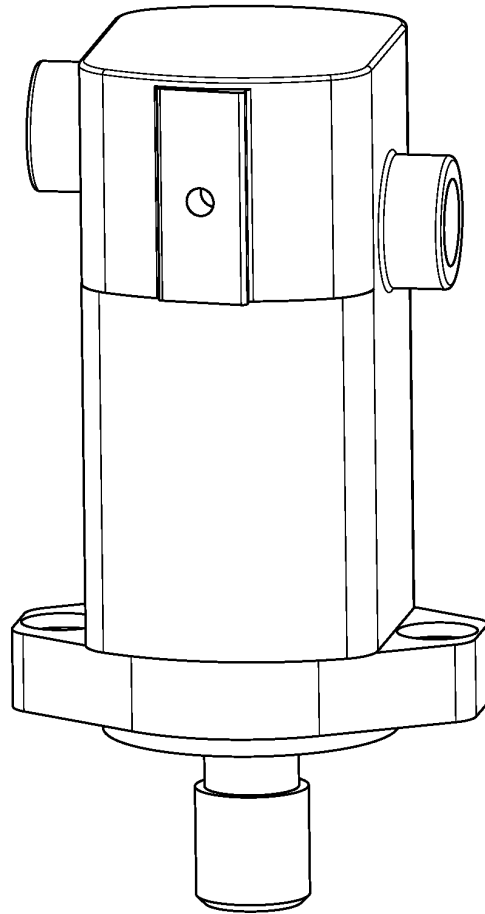
Hydraulic Motor 22-27 GPM Casappa (826-566C)**Applies to SC2660, SC2672**

Ref	Part No.	Part Description	Comments	Revision
	Dwg 24575 810-566C	Drawing Image Number RPBY 327-197A OR 327-200A *	Obsolete	
1.	21067572	CASAPPA BODY KP40.73LO		
2.	23267180	CSPA FRONT COVER FP40-0-S6	S/N 590468+	
	23267200	RPBY 23267180	S/N 590467-	
3.	259375592	CSPA THRUST PLATE FP/R AI MACH	S/N 590468+	
3.	25937622	RPBY 25937592	S/N 590467-	
4.	32748403	DRIVEN GEAR FP40.73/F		
5.	32748420	DRIVE SHAFT K-F40.73-06/6		
6.	35921500	CASAPPA SCREW TCEI M 12X45		
7.	37185000	GRUB SCREW 1/8		
8.	37810000	CASAPPA WASHER KNURLED 12		
9.	39166000	CASAPPA ORING SEAL PH 2-159		
10.	39656230	CASAPPA SEAL FP40		
11.	40030000	SHAFT SEAL BAUD2 35X50X7		
12.	40880000	CASAPPA RING 50 UNI 7437		
13.	41387250	CASAPPA ANTIEXTRUSION RING Z		
14.	42425000	CASAPPA SLEEVE BEARING DU F40		
15.	45700000	CASAPPA BACK UP WASHER GR.4		
16.	49324500	CASAPPA STEEL BUSHES 18X12		
17.	49468030	CASAPPA STEEL PLUG TCEI 6 1/2		
18.	49591070	PLG KSA CVMS0093110A (DIA 9MM)		
19.	95155000	CASAPPA CARTRIDGE P(G3-100)		
20.	95155002	CSPA CARTRIDGE P(G4-210)	S/N 590468+	
20.	95155001	RPBY 95155002	S/N 590467-	
20.	95155001	CASAPPA CARTDRIDGE P(G4-200)		

Hydraulic Motor 4.9 Cubic Inch Eaton (850-090C)

Applies to SC2660

NO PARTS AVAILABLE FOR THIS MOTOR AT THIS TIME



39284

Hydraulic Motor 4.9 Cubic Inch Eaton (850-090C)

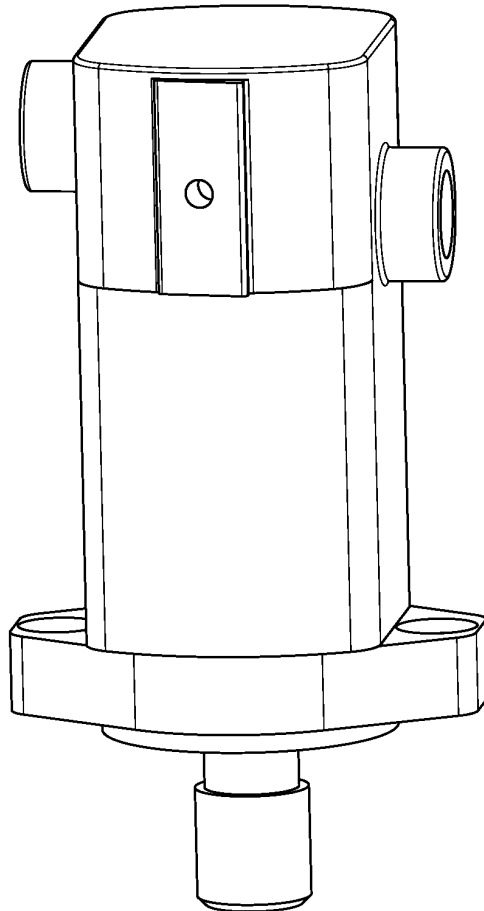
Applies to SC2660

No Parts List associated with this diagram

Hydraulic Motor 6.2 Cubic Inch Eaton (850-091C)

Applies to SC2660, SC2672

NO PARTS AVAILABLE FOR THIS MOTOR AT THIS TIME



39285

Hydraulic Motor 6.2 Cubic Inch Eaton (850-091C)

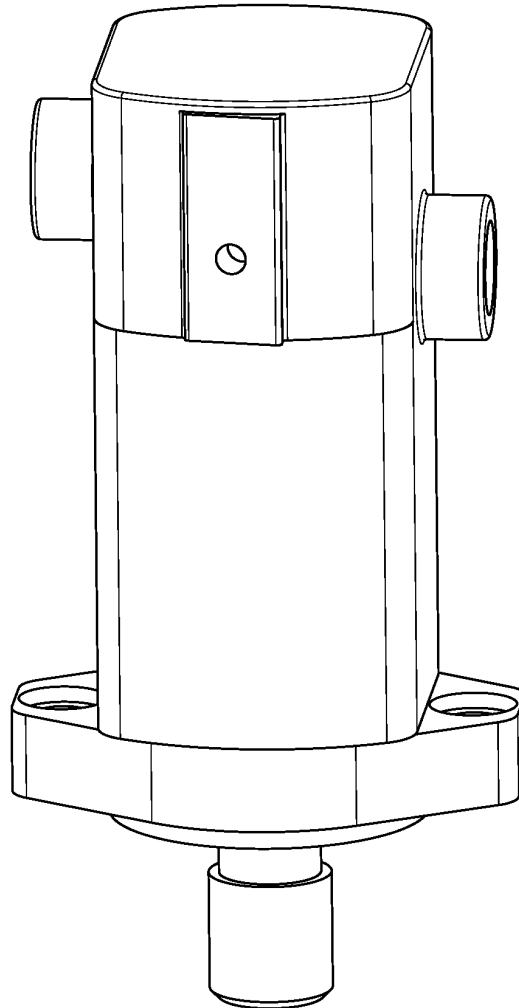
Applies to SC2660, SC2672

No Parts List associated with this diagram

Hydraulic Motor 7.9 Cubic Inch Eaton (850-029C)

Applies to SC2660, SC2672

NO PARTS AVAILABLE FOR THIS MOTOR AT THIS TIME



39270

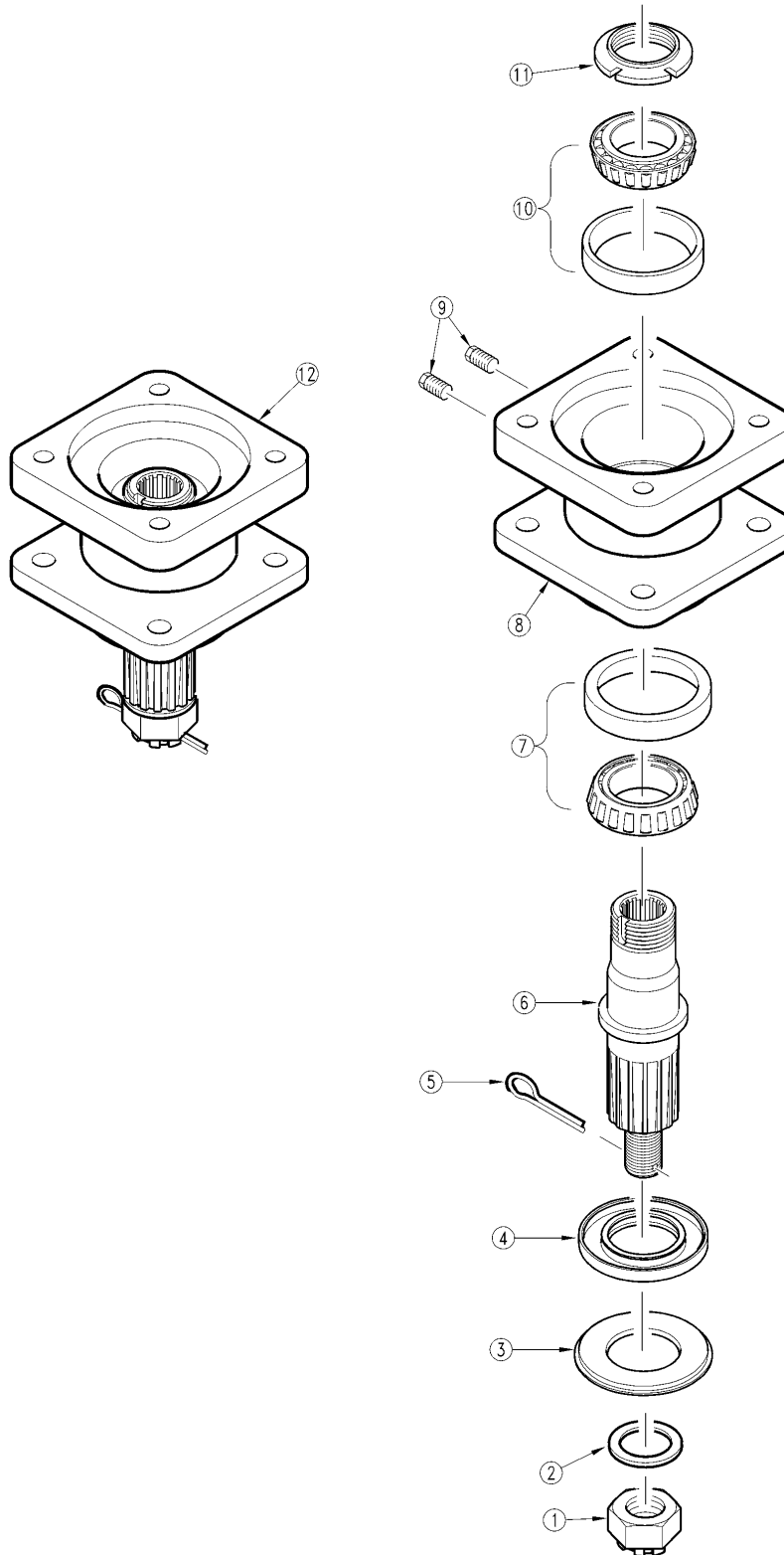
Hydraulic Motor 7.9 Cubic Inch Eaton (850-029C)

Applies to SC2660, SC2672

No Parts List associated with this diagram

Spindle Hub Assembly (826-110C)

Applies to SC2660



12276

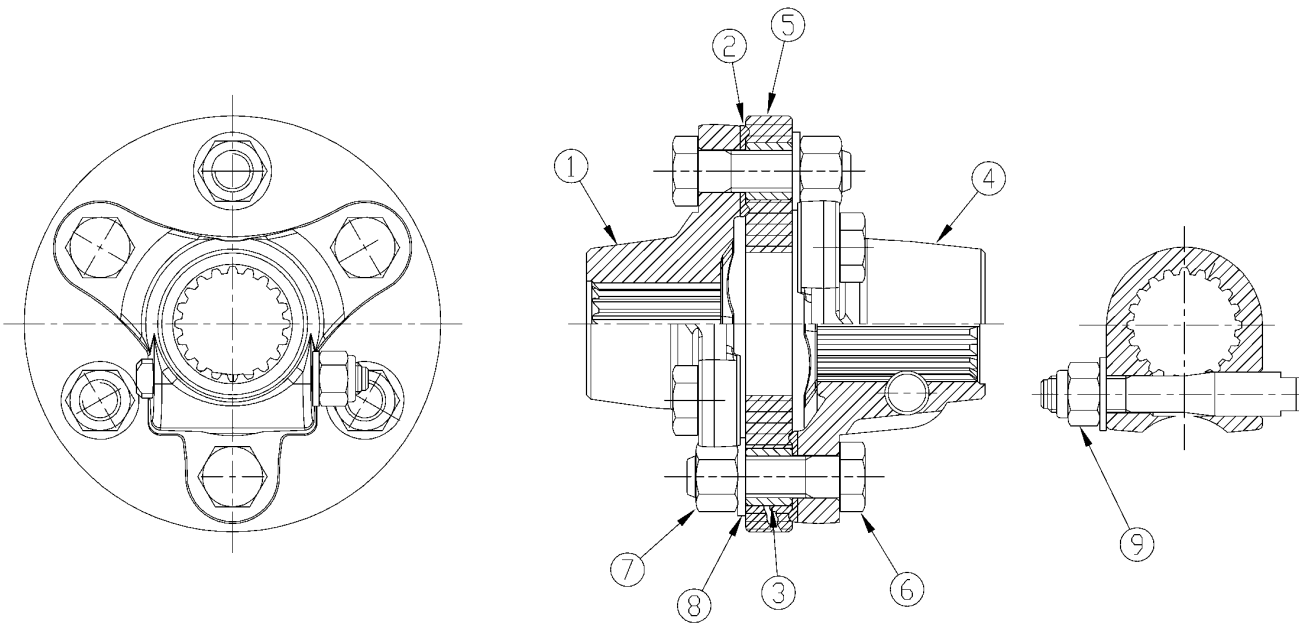
Spindle Hub Assembly (826-110C)

Applies to SC2660

Ref	Part No.	Part Description	Comments	Revision
	Dwg 12276	Drawing Image Number		
1.	8.2.2.00555	CO NUT, CASTLE M30 X 2		
2.	0.139.7101.00	CO BLANK WASHER		
3.	0.139.7100.00	CO SEAL RETAINER		
4.	8.7.1.01107	CO SEAL		
5.	8.4.7.00146	CO COTTER PIN B6 X 60		
6.	0.772.3000.00	CO SPLINE SHAFT		
7.	822-214C	BRG CUP/CONE SET 30210		
8.	0.772.1303.00	CO SPINDLE HOUSING		
9.	8.6.5.00006	CO OIL PLUG 3/8		
10.	8.0.9.00143	CO BEARING 30209 RTA25		
11.	0.278.7104.00	CO NUT LOCK M45 X 1.5		
12.	826-110C	SPINDLE HUB ASSY		

Flex Coupler (826-548C)

Applies to SC2672



25691

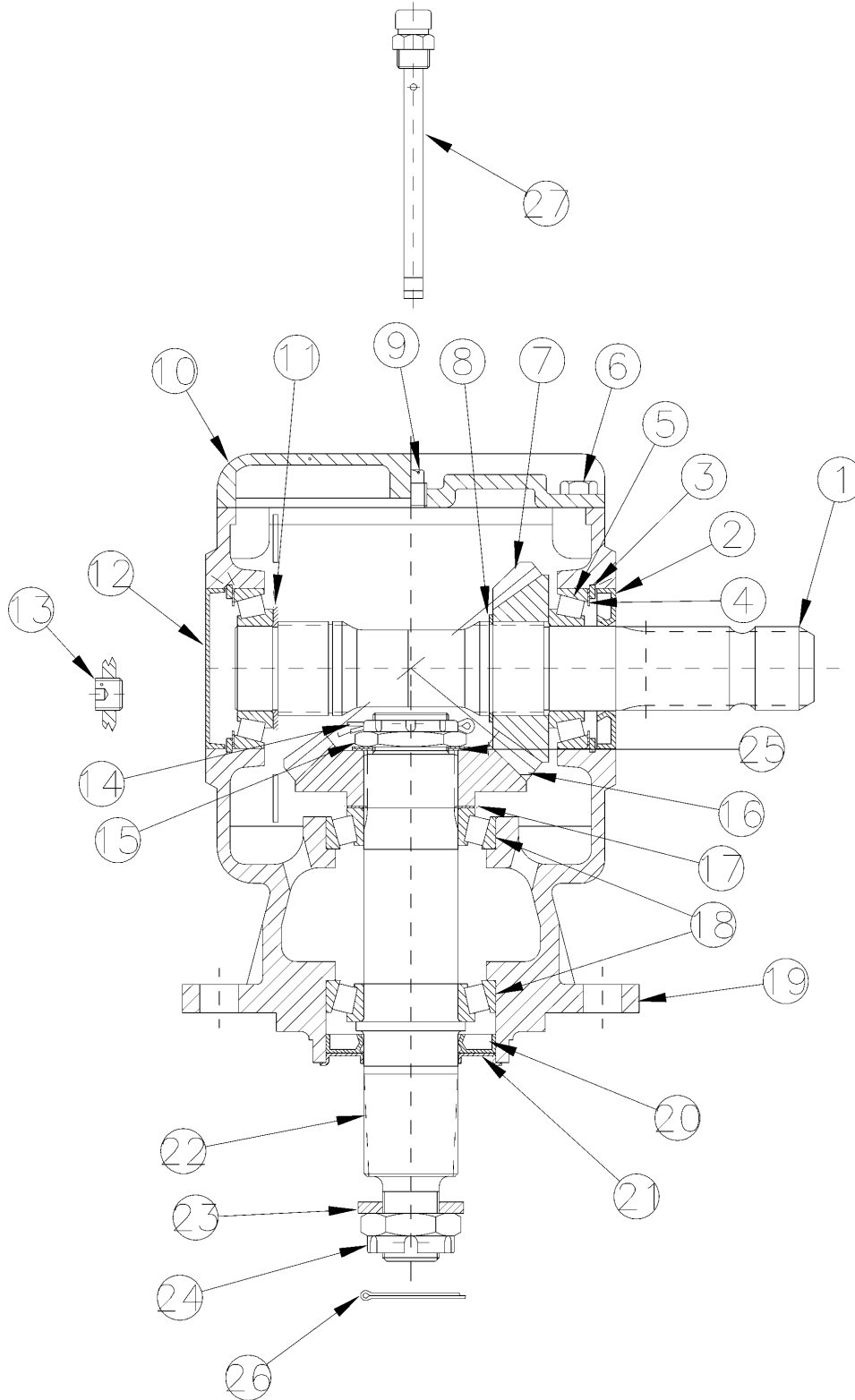
Flex Coupler (826-548C)

Applies to SC2672

Ref	Part No.	Part Description	Comments	Revision
	dwg25691	Drawing Image Number		
	826-548C	FLEX-COUPLER 1.75 20 X 12-24 *		
1.	PE-0611131	EC CONNECTION HUB 12-24		
2.	1235287	EC WSH. BD. 35mmO.D/16.5mmI.D		
3.	1535275	EC BOLT BUSHING		
4.	1705267	EC CONNECTION HUB		
5.	1785273	EC RUBBER DISC		
6.	6141660	EC BOLT		
7.	6410716	EC NUT		
8.	6412016	EC WASHER 29.8mmO.D/17.2mmI.D		
9.	6821484	CONICAL DOG KIT		

Gearbox (826-380C) Comer

Applies to SC2672



22264

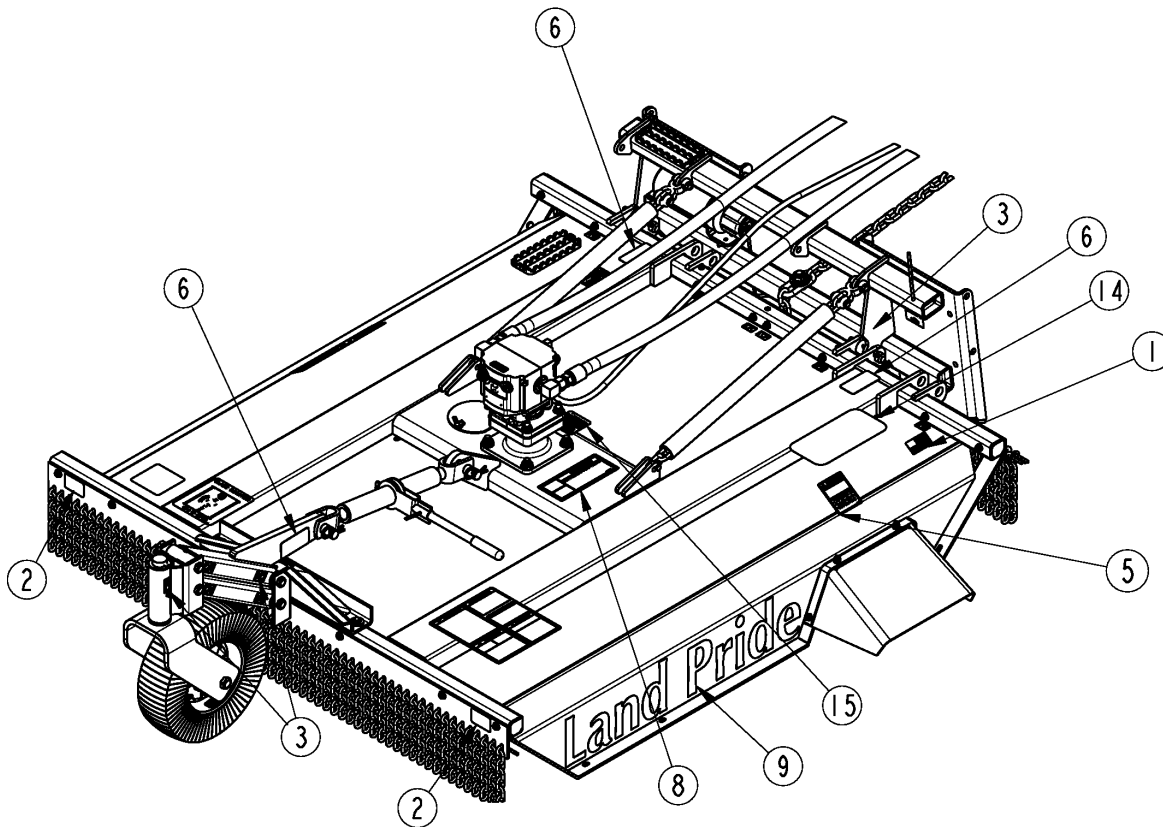
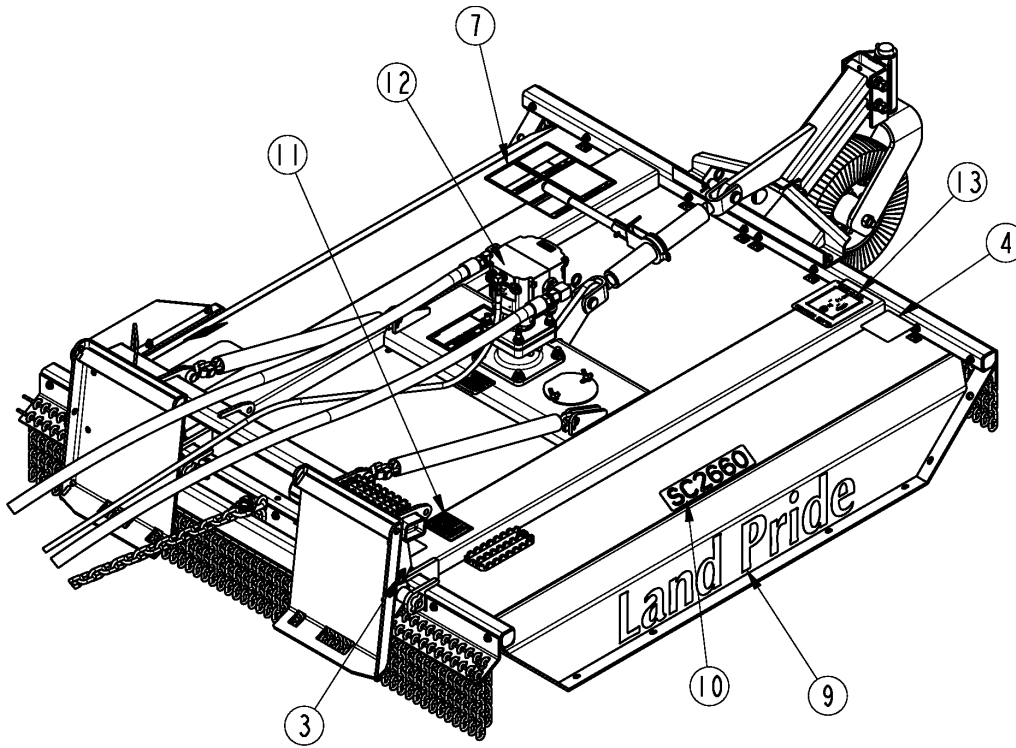
Gearbox (826-380C) Comer**Applies to SC2672**

Ref	Part No.	Part Description	Comments	Revision
	Dwg 22264 826-380C	Drawing Image Number GEARBOX COMER *		
1.	0.210.2001.00	CO INPUT SHAFT 1.75-20		
2.	8.7.3.00331	CO OIL SEAL 45 X 85 X 10		
3.	8.5.2.00332	CO SNAP RING UNI 7437		
4.	0.709.7500.00	CO SHIM 84.7		
5.	8.0.9.00143	CO BEARING 30209 RTA25		
6.	8.1.1.00501	CO BOLT M10X22 HHB		
7.	0.210.5000.00	CO PINION Z18 M6		
8.	8.5.1.00533	CO SNAP RING 50 UNI7435		
9.	8.6.5.00006	CO OIL PLUG 3/8		
10.	0.210.1300.00	CO COVER		
11.	0.252.7525.00	CO SHIM 45.3X2.5		
12.	0.121.7101.00	CO CAP		
13.	8.6.6.00201	CO PLUG 3/8 GAS		
14.	8.4.7.02265	CO COTTER PIN B 5X60		
15.	0.132.7107.00	CO NUT M40X1.5		
16.	0.210.6000.00	CO GEAR CROWN Z22 M6		
17.	0.712.7500.00	CO SHIM 50.3X70.3		
18.	04-011	ITG BEARING ASSEMBLY		
18.	8.0.9.00469	REP BY 04-011		
19.	N/A	CASTING		
20.	8.7.1.01107	CO SEAL (50x90x10)		
21.	0.139.7100.00	CO SEAL RETAINER		
22.	0.210.3000.00	CO OUTPUT SHAFT		
23.	0.139.7101.00	CO BLANK WASHER		
24.	8.2.2.00555	CO NUT, CASTLE M30 X 2		
25.	0.285.7510.00	CO SHIM 40.3 X 61.7 X 1		
26.	8.4.7.00146	CO COTTER PIN B6 X 60		
27.	0.210.7100.00	CO 3/8 GAS OIL VENT LEVEL PG. *		

Notes: Oil Type 80-90W Capacity 6 Pints

Label Placement

Applies to SC2660, SC2672



24532

Label Placement**Applies to SC2660, SC2672**

Ref	Part No.	Part Description	Comments	Revision
	dwg24532	Drawing Image Number		
1.	818-190C	DECAL FLAG		
2.	818-229C	DECAL AMBER REFLECTOR		
3.	818-298C	DECAL GREASE 25HRS BLACK/WHITE		
4.	818-555C	DECAL DANGER ROTATE BLADE		
5.	818-556C	DECAL DANGER THROWN OBJ CUTTER		
6.	818-798C	DECAL WARNING PINCH POINT GEN		
7.	818-830C	DECAL SAFETY COMBO SUNWEST		
8.	818-831C	DECAL WARNING HIGH PRESSURE		
9.	848-122C	DECAL LANDPRIDE 34" TAN/BROWN		
10.	838-892C	DECAL, SC2660-GOLD		
10.	848-082C	DECAL SC2672 GOLD		
11.	838-948C	DECAL DO NOT OPERATE		
12.	838-952C	DECAL 11-16 GPM	Low Volume 2660 Only	
12.	838-953C	DECAL 17-21 GPM	Medium Volume	
12.	838-954C	DECAL 22-27 GPM	High Volume	
13.	848-416C	DECAL SC BLADE ROTATION	S/N _____+	
14.	840-107C	3M CONFORM. ANTI-SLIP 10 X 5.0	S/N _____-	
15.	818-543C	DECAL DANGER PD GUARD MISS SML	SC2672 Only	

Land Pride Touch-up Paints

Applies to SC2660, SC2672

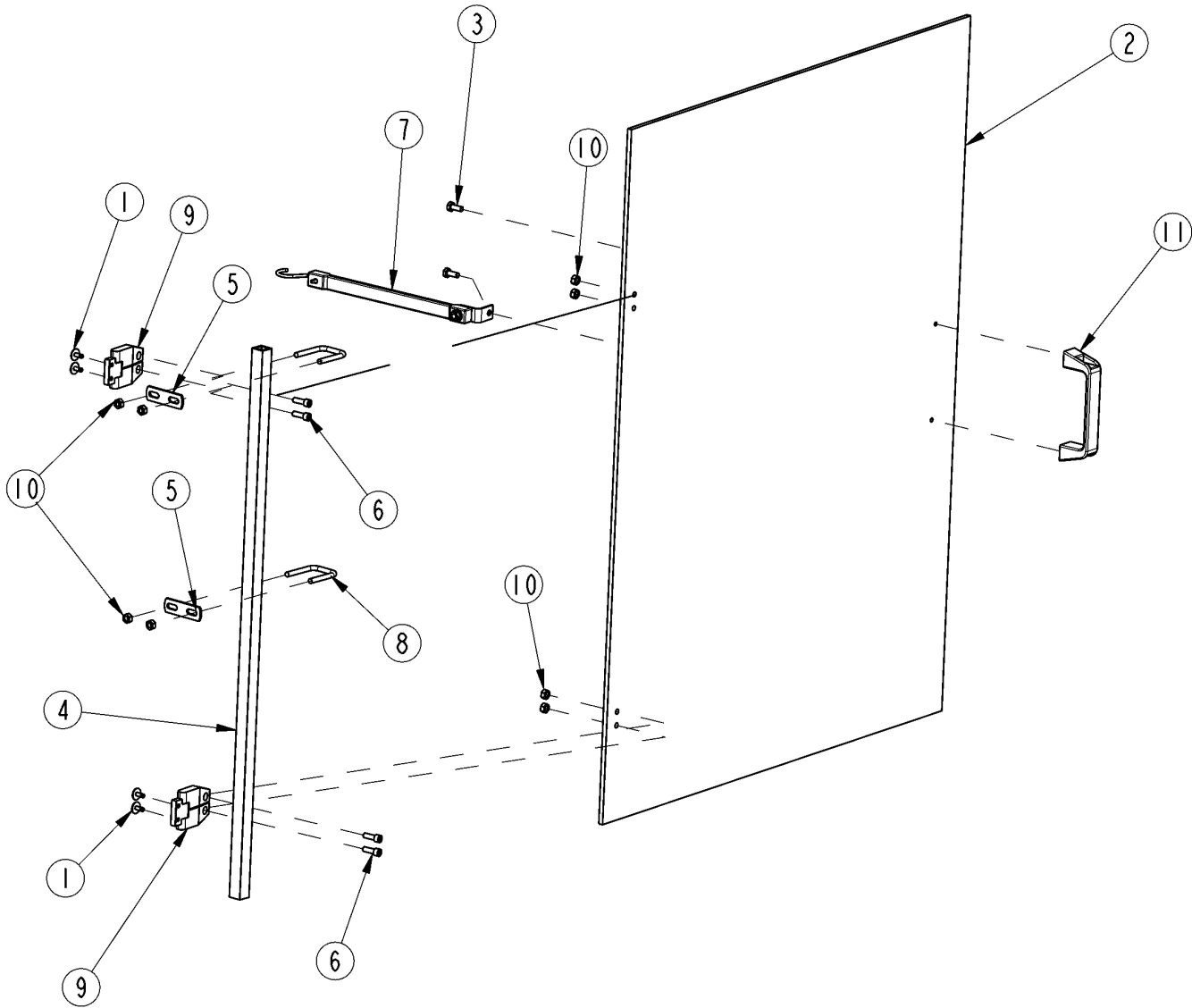
No diagram associated with this Parts List

Land Pride Touch-up Paints**Applies to SC2660, SC2672**

Ref	Part No.	Part Description	Comments	Revision
1.	821-011C	LP BEIGE SPRAY CAN	Spray can	
1.	821-070C	GLOSS BLACK SPRAY CAN	Spray can	
1.	821-054C	MED. RED SPRAY TRCK/CTR	Spray can	
1.	821-058C	GREEN SPRAY CUTTERS	Spray can	
1.	821-066C	ORANGE SPRAY CAN	Spray can	
1.	821-067C	BLUE SPRAY CAN	Spray can	
2.	821-011CTU	LP BEIGE TOUCH-UP 5OZ	Touch-up bottle with brush	
2.	821-070CTU	GLOSS BLACK TOUCH-UP 5OZ	Touch-up bottle with brush	
2.	821-054CTU	MED RED TOUCH-UP 5OZ	Touch-up bottle with brush	
2.	821-058CTU	GREEN TOUCH-UP 5OZ	Touch-up bottle with brush	
2.	821-066CTU	ORANGE TOUCH-UP 5OZ	Touch-up bottle with brush	
2.	821-067CTU	BLUE TOUCH-UP 5OZ	Touch-up bottle with brush	
3.	821-011CQT	LP BEIGE QUART	Quart can	
3.	821-070CQT	GLOSS BLACK QUART	Quart can	
3.	821-054CQT	MED RED QUART	Quart can	
3.	821-058CQT	GREEN QUART	Quart can	
3.	821-066CQT	ORANGE QUART	Quart can	
3.	821-067CQT	BLUE QUART	Quart can	
4.	821-011CGL	LP BEIGE GALLON	Gallon can	
4.	821-070CGL	GLOSS BLACK GALLON	Gallon can	
4.	821-054CGL	MED RED GALLON	Gallon can	
4.	821-058CGL	GREEN GALLON	Gallon can	
4.	821-066CGL	ORANGE GALLON	Gallon can	
4.	821-067CGL	BLUE GALLON	Gallon can	

Protective Door Components

Applies to SC2660, SC2672



24640

Protective Door Components

Applies to SC2660, SC2672

Ref	Part No.	Part Description	Comments	Revision
	dwg24640	Drawing Image Number		
	326-024A	PROTECTIVE DOOR ASSY *		
1.	800-230C	RIVET POP 3/16 .251-.375 LF	Not Included in 326-024A	
2.	PSM12RSA	SKID PROTECTIVE DOOR		
3.	PSM2520137UB	HHCS 1/4-20X5/8 GR5		
4.	PSM252058SC	HINGE TUBE		
5.	PSM252075SC	PLATE, U-BOLT		
6.	PSM2520NT	HSHCS 1/4-20X3/4		
7.	PSM321650HA	DOOR STRAP		
8.	PSM8300879DH	U-BOLT 1/4-20X1 3/8X2		
9.	PSMAL75SQ	DOOR HINGE		
10.	PSMGPSPD	NUT LOCK 1/4-20 PLT		
11.	PSMST11AG	DOOR HANDLE		



Part Number Index

The Part Number Index is a numeric index of all part numbers included in this manual. The index shows what page(s) the part is used on.

Part Number	Page	Part Number	Page	Part Number	Page	Part Number	Page
0.121.7101.00	43	326-394D	19	800-080C	19, 21, 23	818-190C	45
0.132.7107.00	43	326-395D	19	800-230C	49	818-229C	45
0.139.7100.00	39, 43	326-396D	13	802-005C	19	818-298C	45
0.139.7101.00	7, 9, 11, 39, 43	326-637H	23	802-007C	7	818-543C	45
0.210.1300.00	43	326-820A	25	802-024C	15, 17, 21, 23	818-555C	45
0.210.2001.00	43	326-821A	25	802-038C	7, 9, 11	818-556C	45
0.210.3000.00	43	326-822A	25	802-064C	7	818-798C	45
0.210.5000.00	43	326-826L	25	802-079C	13	818-830C	45
0.210.6000.00	43	326-834L	25	802-082C	25	818-831C	45
0.210.7100.00	43	327-144H	7	802-128C	25	820-112C	9, 11
0.252.7525.00	43	327-195A	25	802-135C	21, 23	820-249C	7
0.278.7104.00	39	327-196A	25	802-254C	21, 23	821-011C	47
0.285.7510.00	43	327-197A	25	802-277C	7, 9, 11	821-011CGL	47
0.709.7500.00	43	327-198A	25	802-280C	21, 23	821-011CQT	47
0.712.7500.00	43	327-199A	25	802-326C	21, 23	821-011CTU	47
0.772.1303.00	39	327-200A	25	802-466C	13	821-054C	47
0.772.3000.00	39	327-206D	19	802-657C	9, 11	821-054CGL	47
04-011	43	327-359D	25	802-853C	21, 23	821-054CQT	47
1235287	41	32747048	27	803-013C	13	821-054CTU	47
1535275	41	32748403	31	803-020C	9, 21, 23, 25	821-058C	47
1705267	41	32748404	29	803-021C	21, 23	821-058CGL	47
1785273	41	32748420	31	803-026C	21, 23	821-058CQT	47
21060908	27	32748430	29	803-169C	7, 11	821-058CTU	47
21067572	31	32749200	27	803-170C	7, 9, 11	821-066C	47
21067573	29	34265000	27	803-181C	19	821-066CGL	47
232636645	27	35921500	29, 31	803-198C	15, 17, 21, 23	821-066CQT	47
23267180	29, 31	36193050	27	803-231C	13	821-066CTU	47
23267200	29, 31	37185000	27, 29, 31	803-255C	19	821-067C	47
25935025	27	37583900	27	803-263C	9, 11, 21, 23	821-067CGL	47
259375592	29, 31	37810000	29, 31	803-289C	21, 23	821-067CQT	47
25937622	29, 31	39166000	29, 31	803-299C	7	821-067CTU	47
312-075D	7, 9, 11	39656150	27	803-308C	21, 23	821-070C	47
312-082D	7, 9, 11	39656230	29, 31	804-007C	19	821-070CGL	47
312-089D	7, 9, 11	39666150	27	804-009C	7	821-070CQT	47
312-602D	13	39955000	27	804-012C	13, 15, 17, 21, 23	821-070CTU	47
312-647D85	13	40030000	29, 31	804-013C	13	822-091C	21, 23
312-808D	7, 9, 11	40840000	27	804-015C	9, 21, 23, 25	822-092C	21, 23
312-811H	7	40880000	29, 31	804-016C	9, 21, 23	822-214C	39
316-124H	9, 11	40880500	27	804-017C	21, 23	826-110C	9, 11, 39
318-586A	7, 9, 11	41030000	27	804-024C	19	826-380C	7, 43
321-003H85	21, 23	41387160	27	804-066C	21, 23	826-548C	7, 41
321-011D	21, 23	41387250	29, 31	804-147C	7, 9, 11	827-036C	21, 23
326-003H	21	41650000	27	805-085C	19	838-892C	45
326-004A	21, 23	42395050	27	805-088C	21, 23	838-948C	45
326-005H	21, 23	42425000	29, 31	805-090C	21, 23	838-952C	45
326-006H	21, 23	45700000	29, 31	805-127C	19	838-953C	45
326-007K	17	45803000	27	805-249C	19	838-954C	45
326-008K	15	46507200	27	805-255C	21, 23	840-107C	45
326-009H	19	49324500	29, 31	805-363C	19	841-110C	7, 9
326-011H	13	49326000	27	805-384C	19	841-153C	7, 9, 11
326-024A	49	49468030	29, 31	810-563C	9, 11, 27	841-154C	9
326-026K	19	49591070	27, 29, 31	810-565C	7, 9, 11, 29	841-539C	7, 11, 25
326-077K	15	6141660	41	810-566C	7, 9, 11, 31	841-544C	11
326-078K	17	6410716	41	810-715C	25	841-545C	11, 25
326-086H	13	6412016	41	811-065C	7, 9, 11	841-566C	25
326-096H	7	6821484	41	811-408C	25	841-656C	25
326-255D	17	8.0.9.00143	39, 43	811-719C	25	841-676C	25
326-256D	15	8.0.9.00469	43	811-744C	7, 9, 11	848-082C	45
326-264D	13	8.1.1.00501	43	811-745C	7, 9, 11	848-122C	45
326-276D	13	8.2.2.00555	7, 9, 11, 39, 43	814-058C	21, 23	848-416C	45
326-283D	15, 17	8.4.7.00146	7, 9, 11, 39, 43	814-161C	21, 23	850-029C	25
326-341D	19	8.4.7.02265	43	815-092C	21, 23	850-090C	25
326-342D	19	8.5.1.00533	43	815-230C	21, 23	850-091C	25
326-343D	13	8.5.2.00332	43	816-182C	7, 9, 11, 25	851-354C	7, 25
326-344D	13	8.6.5.00006	39, 43	816-286C	21, 23	851-683C	25
326-354D	19	8.6.6.00201	43	816-481C	19	851-684C	25
326-370D	19	8.7.1.01107	39, 43	816-515C	13	851-947C	7, 9, 11, 25
326-391D	15	8.7.3.00331	43	816-577C	13	851-948C	7, 9, 11, 25
326-392D	15, 17	800-001C	21, 23	816-887C	25	890-005C	21, 23
326-393D	17	800-073C	21, 23	817-387C	19	890-177C	21, 23



Part Number Index (continued)

Part Number	Page
890-393C	15, 17
890-931C	19
890-961C	21, 23
95155000	29, 31
95155001	29, 31
95155002	27, 29, 31
95155003	29
95155201	27
Dwg 12276	39
Dwg 22264	43
Dwg 24570	9
Dwg 24573	27
Dwg 24574	29
Dwg 24575	31
Dwg 25690	7
Dwg 30756	11
Dwg 35425	23
Dwg 70129	25
dwg24529	21
dwg24530	15
dwg24531	17
dwg24532	45
dwg24569	19
dwg24572	13
dwg24640	49
dwg25691	41
N/A	7, 9, 11, 21, 23, 43
PE-0611131	41
PRC03695	27
PRC03717	27
PSM12RSA	49
PSM2520137UB	49
PSM252058SC	49
PSM252075SC	49
PSM2520NT	49
PSM321650HA	49
PSM8300879DH	49
PSMAL75SQ	49
PSMGPSPD	49
PSMST11AG	49



Great Plains Manufacturing, Inc.

Corporate Office: P.O. Box 5060
Salina, Kansas 67402-5060 USA

www.landpride.com
