

TOSHIBA

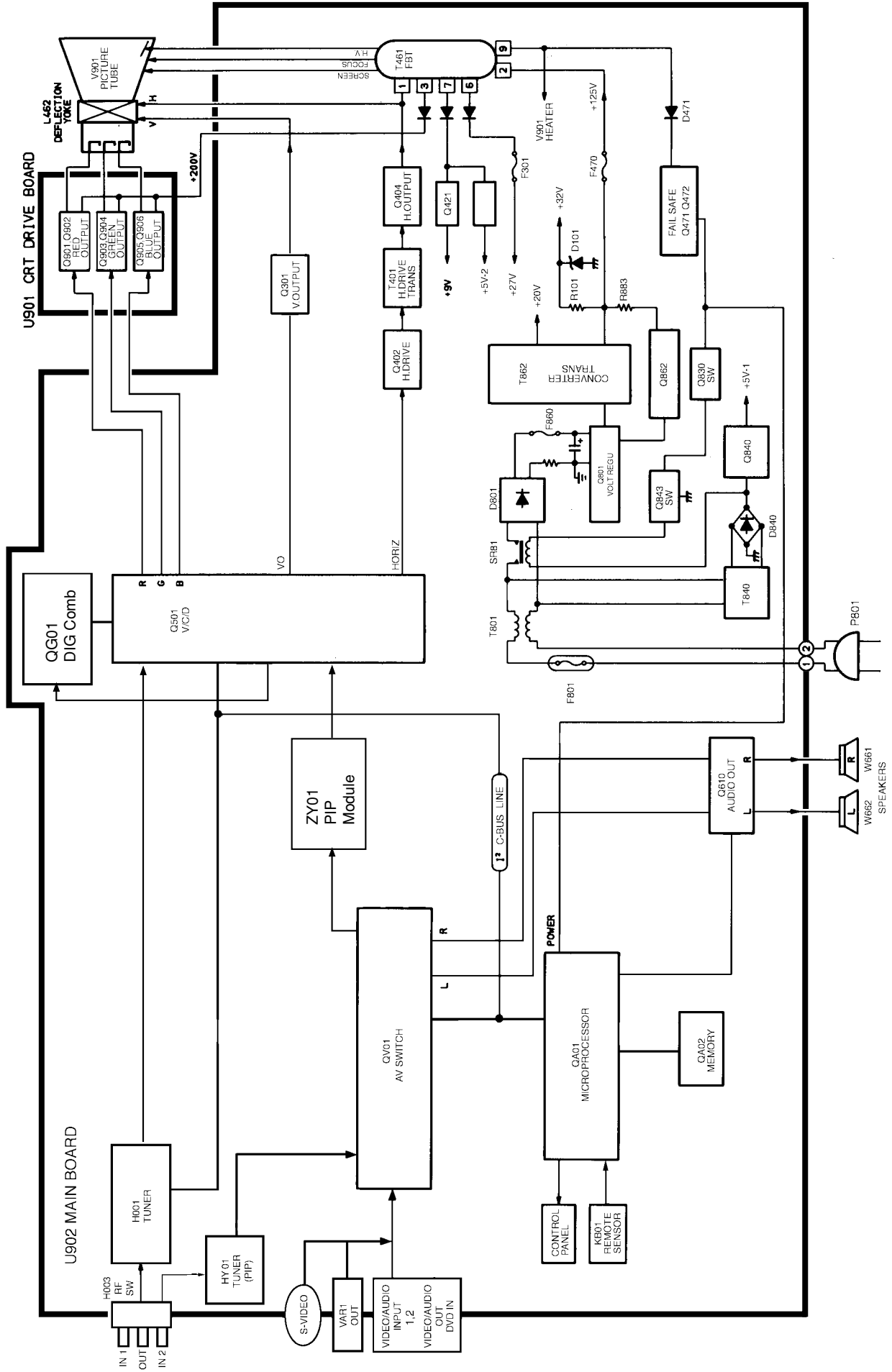
FILE NO. 020-200402

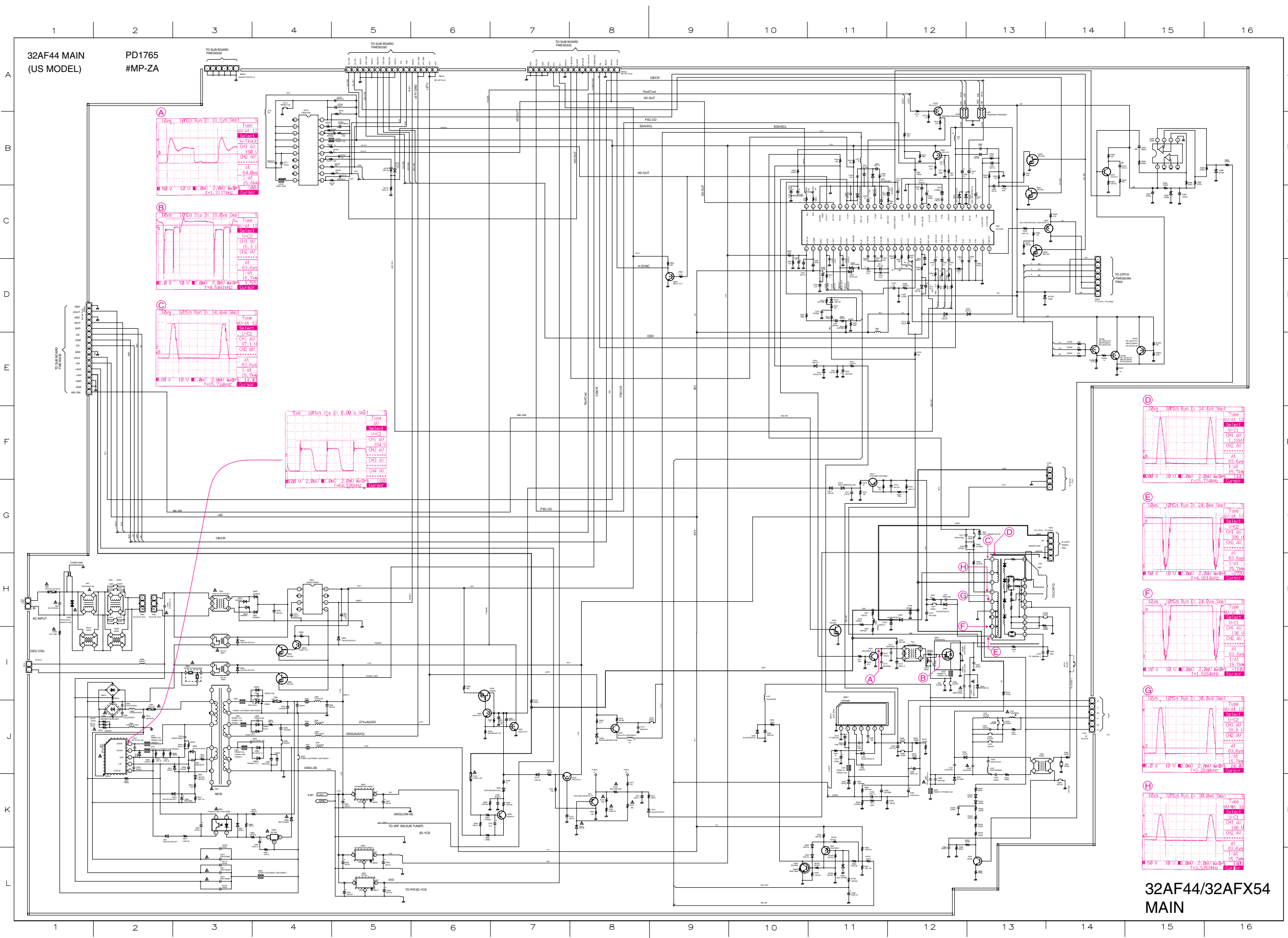
CIRCUIT DIAGRAMS

Color Television

32AF44

CIRCUIT BLOCK DIAGRAM

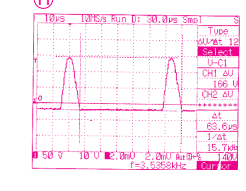
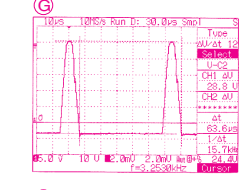
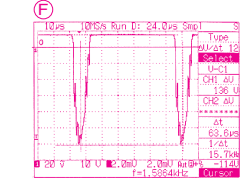
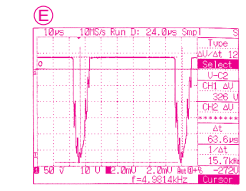
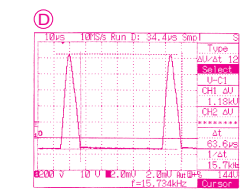
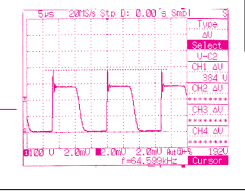
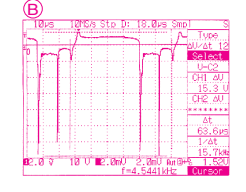
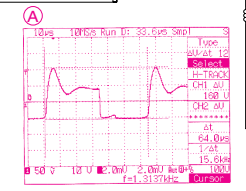


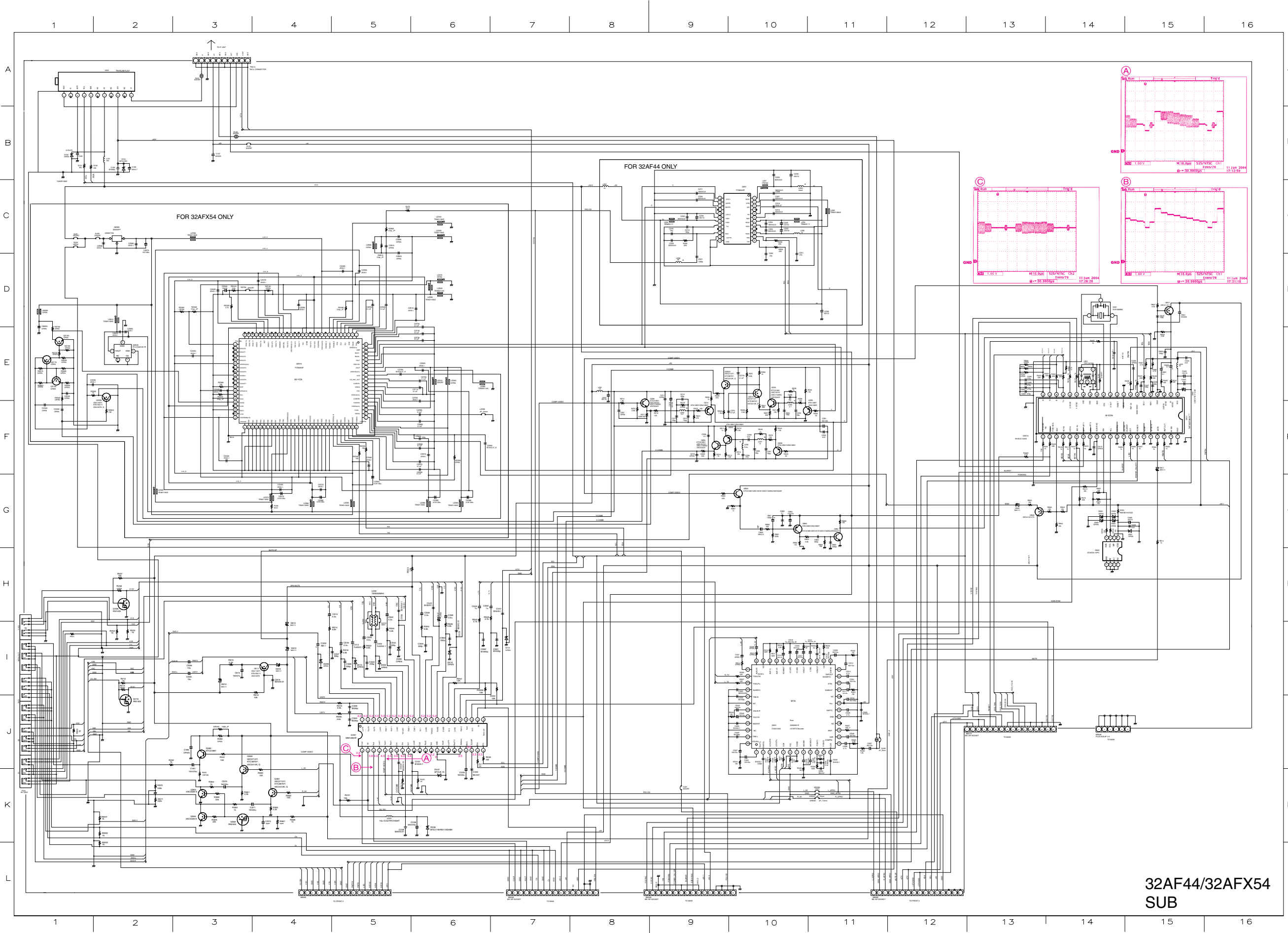


32AF44 MAIN
(US MODEL)

PD1765
#MP-ZA

32AF44/32AFX54
MAIN





1 2 3 4 5 6 7 8

A

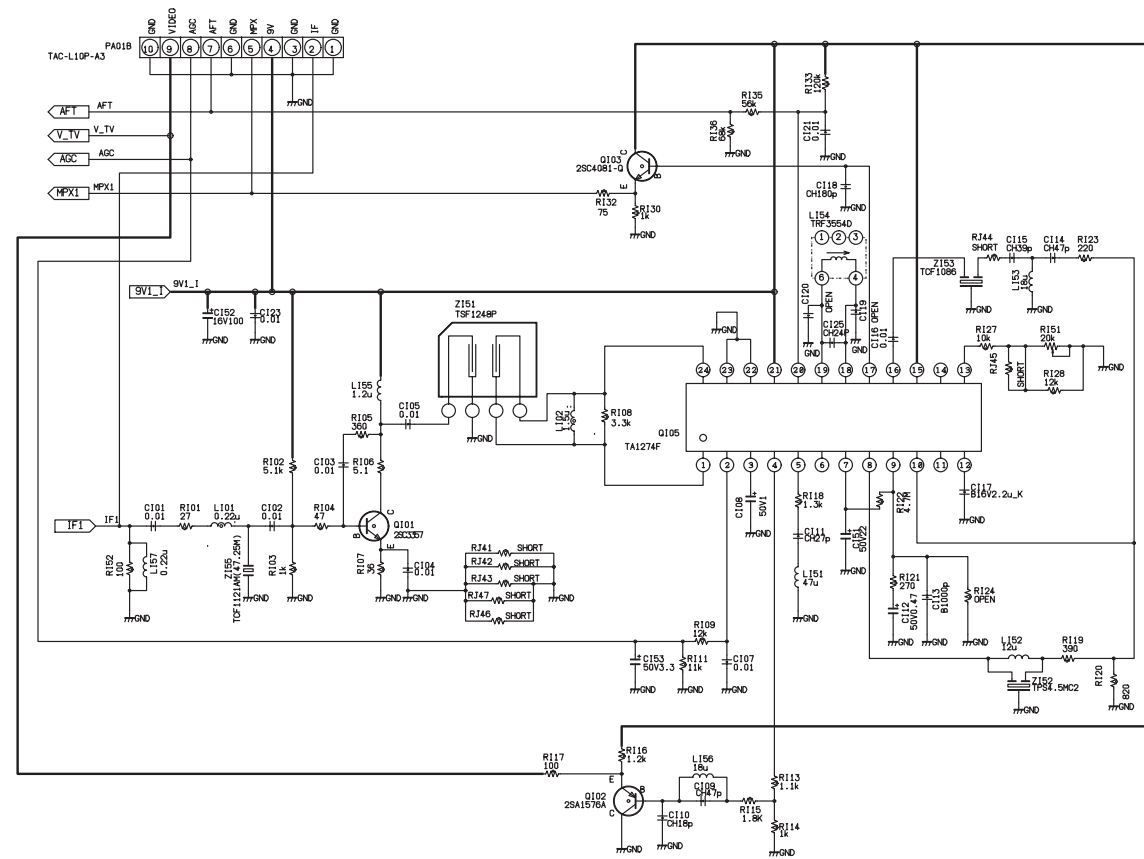
B

C

D

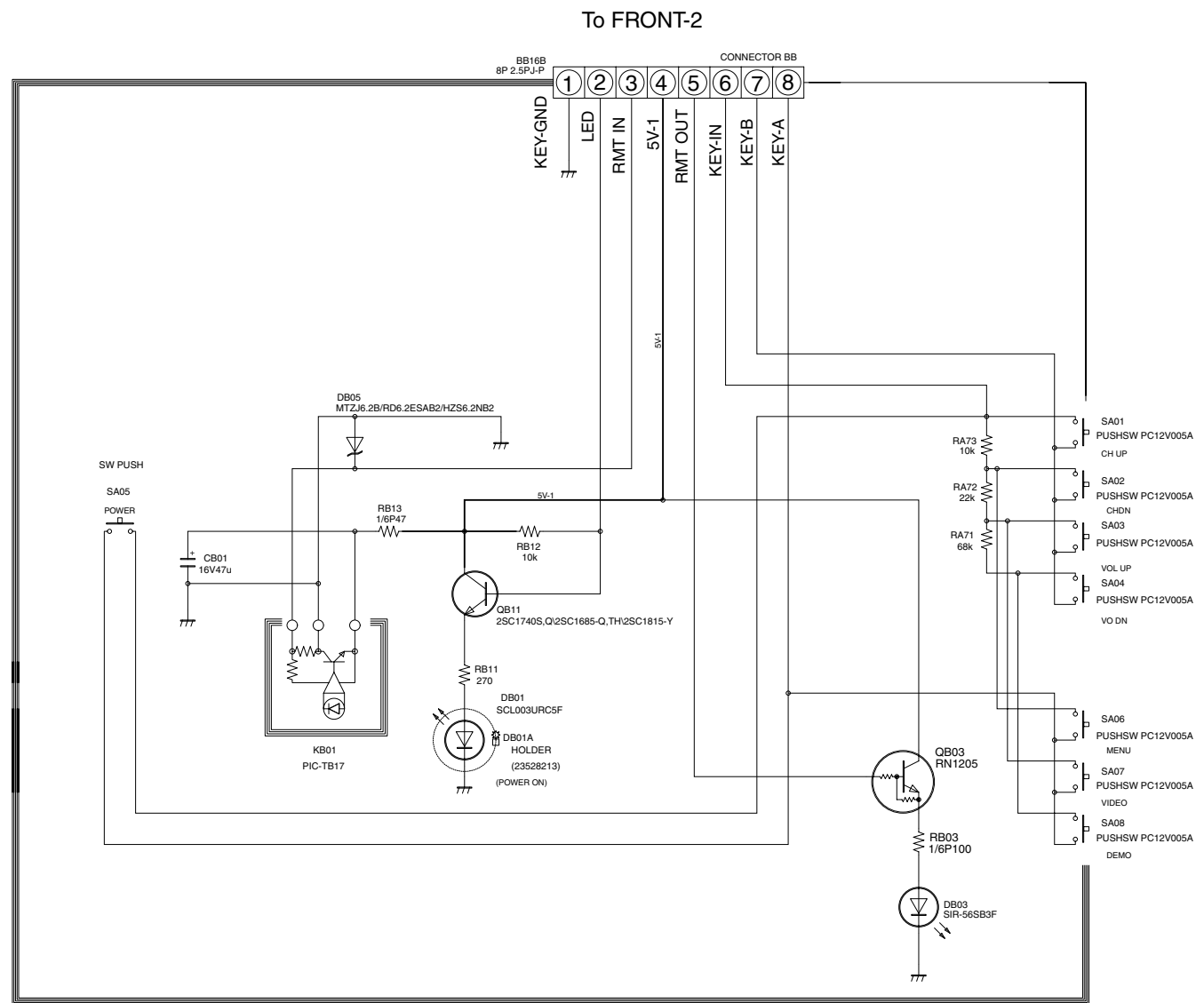
E

F

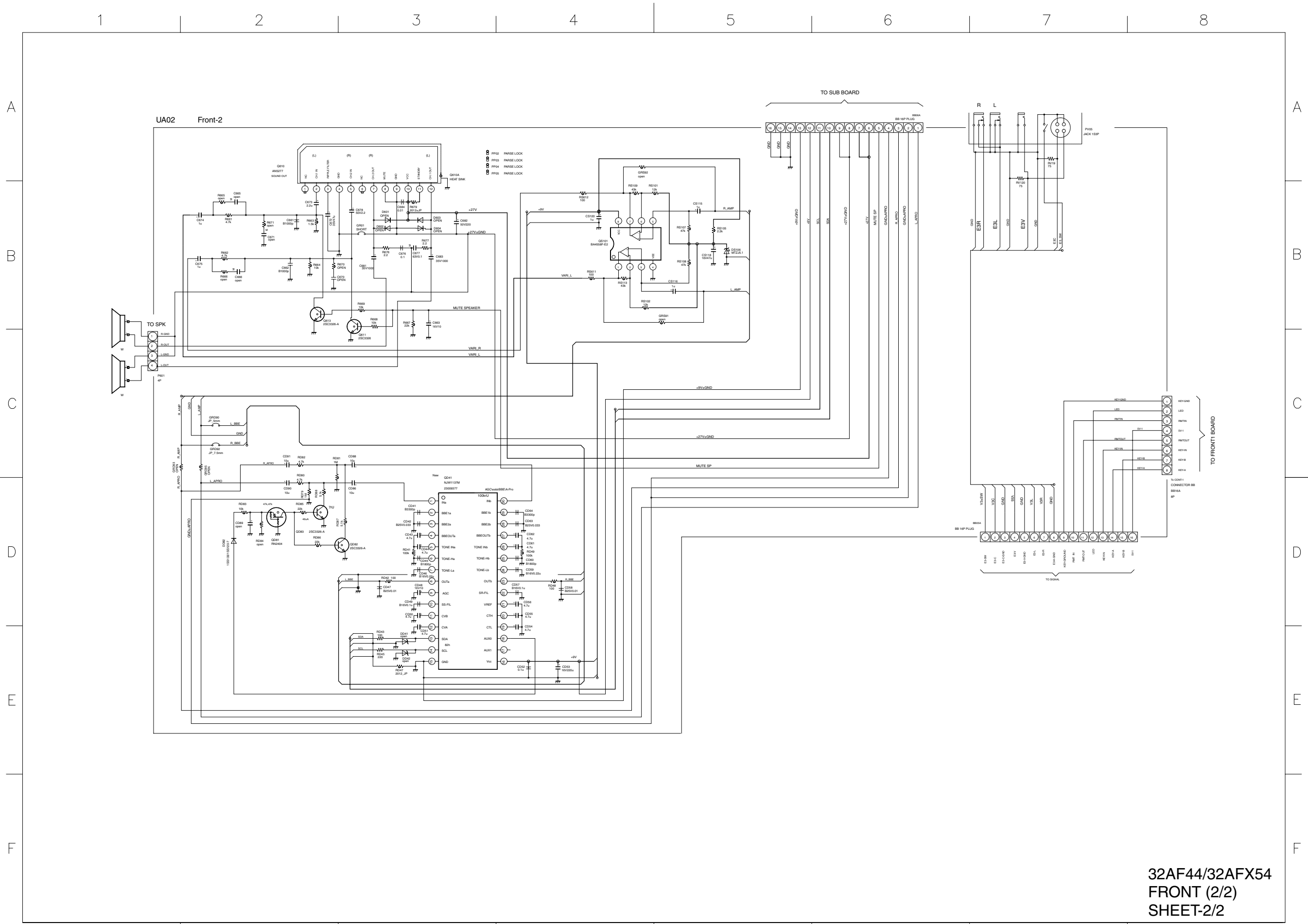


32AF44/32AFX54
IF

1 2 3 4 5 6 7 8



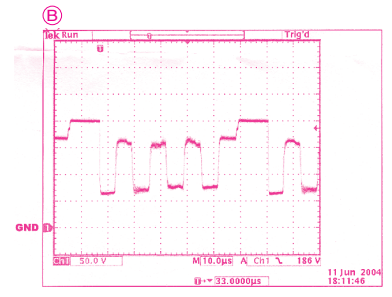
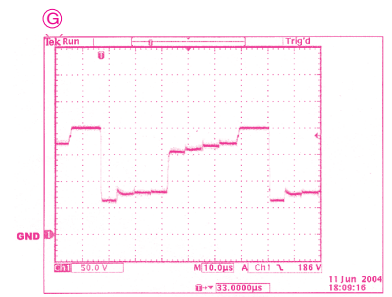
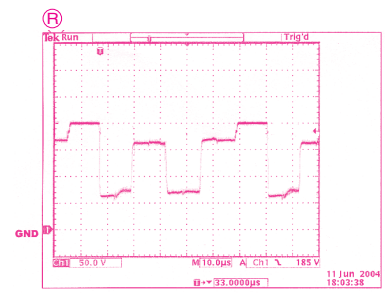
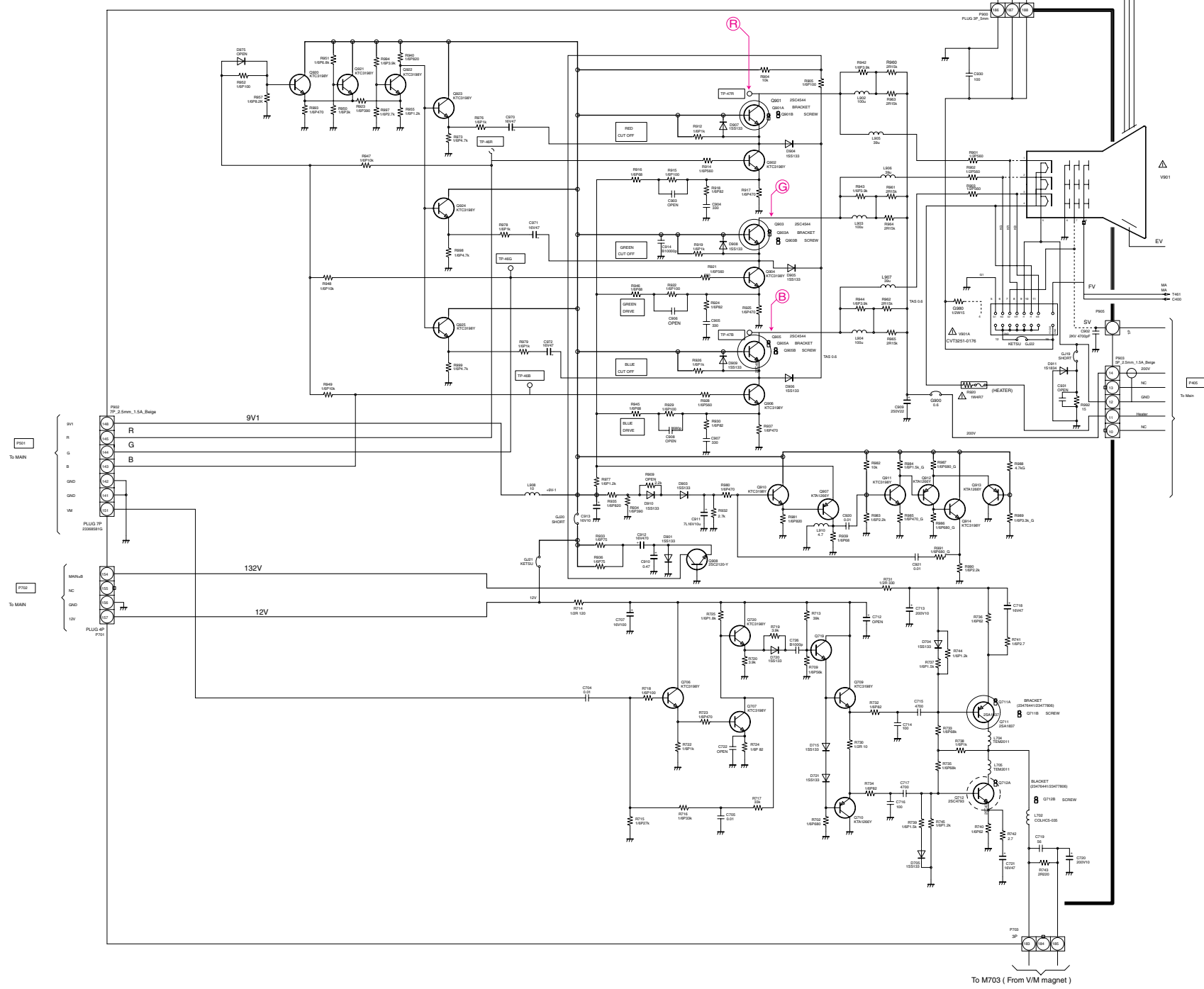
32AF44/32AFX54
FRONT (1/2)
SHEET-1/2



1 2 3 4 5 6 7 8

A
B
C
D
E
F

U901 CRT/D.VM



32AF44/32AFX54
CRT-D

1 2 3 4 5 6 7 8

TOSHIBA CORPORATION

1-1, SHIBAURA 1-CHOME, MINATO-KU, TOKYO 105-8001, JAPAN