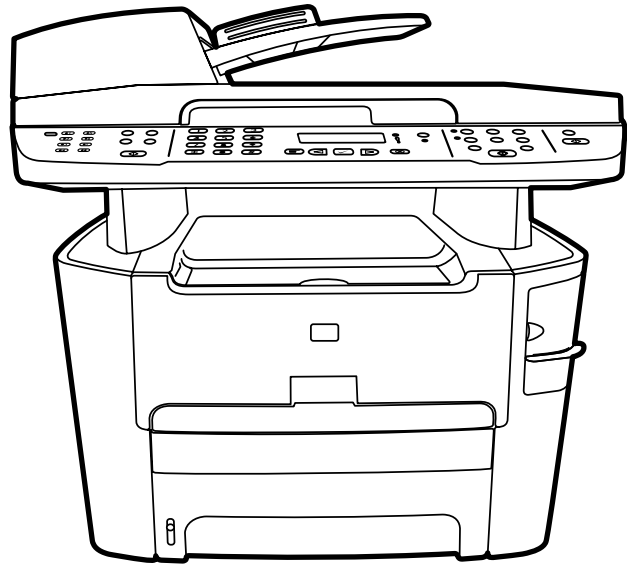


# HP LaserJet 3390/3392 All-in-One Service Manual





# HP LaserJet 3390/3392 All-in-One

---

Service Manual



## Copyright information

© 2005 Copyright Hewlett-Packard Development Company, L.P.

Reproduction, adaptation, or translation without prior written permission is prohibited, except as allowed under the copyright laws.

The information contained herein is subject to change without notice.

The only warranties for HP products and services are set forth in the express warranty statements accompanying such products and services. Nothing herein should be construed as constituting an additional warranty. HP shall not be liable for technical or editorial errors or omissions contained herein.

Part number Q6500-90901

Edition 2, 10/2005

## Safety information

**WARNING!**

Potential Shock Hazard

Always follow basic safety precautions when using the all-in-one to reduce risk of injury from fire or electric shock.

Read and understand all instructions in the user guide.

Observe all warnings and instructions marked on the all-in-one.

Use only a grounded electrical outlet when connecting the all-in-one to a power source. If you do not know whether the outlet is grounded, check with a qualified electrician.

Do not touch the contacts on the end of any of the sockets on the all-in-one. Replace damaged cords immediately.

Unplug the all-in-one from wall outlets before cleaning.

Do not install or use the all-in-one near water or when you are wet.

Install the product securely on a stable surface.

Install the all-in-one in a protected location where no one can step on or trip over the power cord and where the power cord will not be damaged.

If the all-in-one does not operate normally, see the online user guide.

Refer all servicing questions to qualified personnel.

Information regarding FCC Class B, Parts 15 and 68 requirements can be found in the user guide.

## Trademark credits

Microsoft® and Windows® are U.S. registered trademarks of Microsoft Corporation.

Linux is a U.S. registered trademark of Linus Torvalds.

UNIX® is a registered trademark of The Open Group.

PostScript® is a trademark of Adobe Systems Incorporated.

Energy Star® and the Energy Star logo® are U.S. registered marks of the United States Environmental Protection Agency.





## FCC Regulations

This equipment has been tested and found to comply with the limits for a Class B digital device, pursuant to Part 15 of the FCC rules. These limits are designed to provide reasonable protection against harmful interference in a residential installation. This equipment generates, uses, and can radiate radio frequency energy. If this equipment is not installed and used in accordance with the instructions, it may cause harmful interference to radio communications. However, there is no guarantee that interference will not occur in a particular installation. If this equipment does cause harmful interference to radio or television reception, which can be determined by turning the equipment off and on, the user is encouraged to try to correct the interference by one or more of the following measures:

Reorient or relocate the receiving antenna.

Increase separation between equipment and receiver.

Connect equipment to an outlet on a circuit different from that to which the receiver is located.

Consult your dealer or an experienced radio/TV technician.

Any changes or modifications to the printer that are not expressly approved by HP could void the user's authority to operate this equipment.

Use of a shielded interface cable is required to comply with the Class B limits of Part 15 of FCC rules.

This equipment complies with FCC rules, Parts 15 and 68. On the back of this equipment is a label that contains, among other information, the FCC registration number and ringer equivalence number (REN) for this equipment. If requested, this information must be provided to the telephone company. The REN is used to determine the quantity of devices which may be connected to the telephone line. Excessive RENs on the telephone line may result in the devices not ringing in response to an incoming call. In most, but not all, areas, the sum of the RENs should not exceed five (5.0). To be certain of the number of devices that may be connected to the line, as determined by the total RENs, contact the telephone company to determine the maximum REN for the calling area.

This equipment uses the following USOC jacks: RJ11C.

An FCC-compliant telephone cord and modular plug is provided with this equipment.

This equipment is designed to be connected to the telephone network or premises wiring using a compatible modular jack which is Part 68 compliant. This equipment cannot be used on telephone company-provided coin service. Connection to Party Line Service is subject to state tariffs. If this equipment causes harm to the telephone network, the telephone company will notify you in advance that temporary discontinuance of service may be required. If advance notice is not practical, the telephone company will notify the customer as soon as possible. Also, you will be advised of your right to file a complaint with the FCC if you believe it is necessary. The telephone company may make changes in its facilities, equipment, operations, or procedures that could affect the operation of the equipment. If this happens, the telephone company will provide advance notice in order for you to make the necessary modifications in order to maintain uninterrupted service. If trouble is experienced with this equipment, please see the numbers in the front of this manual for repair and (or) warranty information. If the trouble is causing harm to the telephone network, the telephone company may request you remove the equipment from the network until the problem is resolved. The following repairs can be done by the customer: Replace any original equipment that came with the device. This includes the print cartridge, the supports for trays and bins, the power cord, and the telephone cord. It is recommended that the customer install an ac surge arrestor in the ac outlet to which this device is connected. This is to avoid damage to the equipment caused by local lightning strikes and other electrical surges.

See the electronic user guide for more regulatory information.



# Table of contents

## 1 Product information

Quick access to all-in-one information .....	2
All-in-one configurations .....	3
All-in-one features .....	5
Product walkaround .....	7
HP LaserJet 3390/3392 all-in-one .....	7
Interface ports .....	9
Control panel .....	9
Model and serial numbers .....	10
Software description .....	11
Supported drivers .....	11
Additional drivers .....	11
Software installation .....	12
Typical installation .....	12
Minimum installation .....	12
Software for Windows .....	13
Software components for Windows .....	13
HP ToolboxFX .....	13
Embedded Web server (EWS) .....	13
Software for Macintosh .....	14
HP Director .....	14
Macintosh Configure Device (Mac OS X V10.3 and Mac OS X V10.4) .....	14
PDEs (Mac OS X V10.3 and Mac OS X V10.4) .....	15
Uninstalling software .....	16
Windows .....	16
Macintosh .....	16
Media specifications .....	17
Supported media weights and sizes .....	17
Media to avoid .....	18
Media that can damage the all-in-one .....	19

## 2 Installation

Operating environment .....	22
Minimum system requirements .....	23
Unpacking .....	24
Installing input devices .....	25
ADF input tray .....	25
250-sheet input tray (tray 3) .....	26
Installing the control-panel faceplate .....	27

Loading media .....	28
Loading documents to fax, copy, or scan .....	28
Loading the single-sheet priority input slot (tray 1) .....	30
Loading tray 2 or optional tray 3 .....	30
Installing accessories .....	32
Removing and replacing a DIMM .....	32

### 3 Maintenance

Managing supplies .....	36
Life expectancies of supplies and the all-in-one .....	36
Ordering supplies .....	36
Storing print cartridges .....	37
Replacing and recycling supplies .....	37
Replacing the print cartridge .....	39
Replacing the staple cassette .....	42
Replacing the tray 2 pickup roller .....	44
Replacing the tray 2 and optional tray 3 separation pad .....	49
HP policy on non-HP supplies .....	52
Resetting the all-in-one for non-HP supplies .....	52
HP fraud hotline .....	52
Cleaning the all-in-one .....	53
To clean the exterior .....	53
Cleaning the flatbed scanner glass .....	53
Cleaning the scanner-cover backing .....	55
Cleaning the tray 2 pickup roller .....	56
Cleaning the ADF pickup-roller assembly .....	60
Cleaning the print path .....	63
Managing the all-in-one .....	65
Information pages .....	65
Using the HP ToolboxFX .....	68
To view the HP ToolboxFX .....	68
Status .....	68
Event log .....	69
Alerts .....	69
Set up status alerts .....	69
Set up e-mail alerts .....	69
Fax .....	70
Fax tasks .....	70
Fax phone book .....	70
Fax send log .....	73
Fax receive log .....	73
Help (Documentation) .....	73
System settings .....	74
Device information .....	74
Paper handling .....	75
Print quality .....	75
Paper types .....	75
System setup .....	76
Service .....	76
Device Polling .....	76

Print settings .....	76
Printing .....	76
PCL 5e .....	77
PostScript .....	77
Network settings .....	77
Using Macintosh Configure Device (Mac OS X V10.3 and Mac OS X V10.4) .....	78
Understanding the Embedded Web server .....	79
Features .....	79

#### 4 Theory of operation

Basic operation .....	82
Sequence of operation for the base unit .....	82
Scanner and ADF functions and operation .....	84
Scanner functions .....	84
Scanner operation .....	85
ADF operation .....	85
ADF paper path and ADF sensors .....	86
ADF jam detection .....	87
Internal components (base unit) .....	88
Engine control system .....	90
Laser/scanner system .....	92
Pickup/feed/delivery system .....	93
Image-formation system .....	95
Fax functions and operation .....	99
Computer and network security features .....	99
PSTN operation .....	99
To receive faxes when you hear fax tones .....	100
Distinctive ring function .....	100
Faxing with Voice over IP services .....	101
The fax subsystem .....	101
Formatter in the fax subsystem .....	101
LIU in the fax subsystem .....	102
Safety isolation .....	102
Safety-protection circuitry .....	102
Data path .....	103
Hook state .....	103
Downstream current detection .....	103
Hook switch control .....	104
Ring detect .....	104
Line current control .....	104
Billing- (metering-) tone filters .....	104
Fax page storage in flash memory .....	105
Stored fax pages .....	105
Advantages of flash memory storage .....	105

#### 5 Removal and replacement

Introduction .....	108
Removal and replacement strategy .....	108
Electrostatic discharge .....	108
User-replaceable parts .....	109

Required tools .....	109
Before performing service .....	109
After performing service .....	110
Post-service tests .....	110
Test 1 (print-quality test) .....	110
Test 2 (copy-quality test) .....	110
Test 3 (fax-quality test) .....	111
Parts removal order .....	112
Remove the print cartridge .....	113
External panels, covers, and doors .....	114
Right cover .....	114
Left cover .....	116
Print-cartridge door .....	118
Rear cover .....	120
Top cover .....	122
Replacing the ADF pickup-roller assembly .....	124
ADF assembly .....	127
Scanner/ADF assembly .....	129
Bezel and control panel .....	131
Internal assemblies .....	134
Convenience-stapler assembly (HP LaserJet 3392 only) .....	134
Convenience-stapler power supply (HP LaserJet 3392 only) .....	136
Convenience-stapler ac inlet cable (HP LaserJet 3392 only) .....	138
Convenience-stapler power supply bracket and strap (HP LaserJet 3392 only) .....	139
Speaker .....	140
Power-switch PCA .....	142
Formatter .....	143
Duplex assembly .....	146
Laser/scanner .....	148
Memory-tag-reader assembly .....	150
Fuser .....	152
Fan .....	152
Duplex-drive gears .....	154
Duplex solenoid .....	155
Fuser .....	157
Interlock assembly .....	163
ECU .....	164
Main motor .....	169
Pickup-and-feed assemblies .....	171
Transfer roller .....	171
Registration-roller assembly .....	172
Main gear assembly and tray 2 pickup solenoid .....	173

## 6 Troubleshooting

Troubleshooting process .....	178
Troubleshooting checklist .....	178
Jams .....	181
Causes of jams .....	181
Tips to avoid jams .....	182
Where to look for jams .....	182

Jams in the print-cartridge area .....	183
Jams in the trays .....	186
Jams in the output bin .....	191
Jams in the straight-through output path .....	192
Jams in the duplex path .....	194
Jams in the ADF .....	199
Jams in the convenience stapler (HP LaserJet 3392 only) .....	204
Control-panel messages .....	207
Alerts and warning messages .....	207
Critical-error message-tables .....	212
Print problems .....	215
Print-quality problems .....	215
Improving print quality .....	215
Understanding print-quality settings .....	215
To temporarily change print-quality settings .....	215
To change print-quality settings for all future jobs .....	216
Identifying and correcting print defects .....	217
Print-quality checklist .....	217
General print-quality issues .....	217
Media-handling problems .....	222
Print-media guidelines .....	222
Solving print-media problems .....	222
Performance problems .....	224
Scan problems .....	225
Solving scanned-image problems .....	225
Scan-quality problems .....	227
Preventing problems .....	227
Solving scan-quality problems .....	227
Copy problems .....	228
Preventing problems .....	228
Image problems .....	228
Media-handling problems .....	229
Performance problems .....	231
Fax troubleshooting .....	232
General fax troubleshooting .....	232
Problems receiving faxes .....	234
Problems sending faxes .....	236
Voice-call problems .....	238
Media-handling problems .....	238
Performance problems .....	239
Control-panel display problems .....	240
Convenience-stapler problems (HP LaserJet 3392 only) .....	240
DSL problems .....	241
PABX line problems .....	241
ADF problems .....	242
Functional checks .....	244
Drum rotation test .....	244
Engine test .....	245
Half self-test functional check .....	246
To perform a half self-test check .....	246

To perform other checks .....	246
Heating element check .....	247
High-voltage contacts check .....	247
To check the print-cartridge contacts .....	247
To check the high-voltage connector assembly .....	248
Service-mode functions .....	249
NVRAM initialization .....	249
Secondary service menu .....	249
Troubleshooting tools .....	251
All-in-one pages and reports .....	251
Demo page .....	251
Configuration page .....	251
Supplies Status page .....	251
Fax reports .....	252
Fax activity log .....	252
Fax call report .....	252
Phone book report .....	252
Billing-code report .....	253
HP ToolboxFX .....	253
To view HP ToolboxFX .....	253
Troubleshooting tab .....	253
Service menu .....	254
Restoring the factory-set defaults .....	254
Cleaning the paper path .....	254
T.30 protocol trace .....	255
Archive print .....	255
Firmware updates and recovery .....	256
Firmware update by using a flash executable file .....	256
Firmware-recovery DIMM .....	256

## 7 Parts

Accessories and ordering information .....	259
Supplies .....	260
Memory .....	260
Cable and interface accessories .....	260
Paper-handling accessories .....	261
Scanner/ADF replacement parts .....	261
Control-panel bezels .....	262
Supplementary documentation and support .....	263
Troubleshooting diagrams .....	266
Repetitive image defects .....	266
Interface connectors .....	267
Formatter connectors .....	268
Line interface unit (LIU) .....	269
Solenoids .....	270
Switches and sensors .....	271
Rollers and pads .....	272
PCAs (base unit) .....	273
Major components (base unit) .....	274
Scanner and ADF .....	275



Circuit diagram .....	276
How to use the parts lists and diagrams .....	278
Types of screws .....	278
Scanner and ADF assemblies .....	280
Scanner components .....	282
ADF components .....	284
Convenience stapler components (HP LJ 3392 only) .....	286
Formatter, LIU, HP jewel, and nameplate .....	288
External covers and panels .....	290
Internal components (1 of 4) .....	292
Internal components (2 of 4) .....	294
Internal components (3 of 4) .....	296
Internal components (4 of 4) .....	298
Engine-controller assembly .....	300
Main-drive assembly .....	302
Duplexing-drive assembly .....	304
Tray 2 cassette and tray 3 cassette/feeder .....	306
Duplexing assembly .....	308
Fuser assembly .....	310
Alphabetical parts list .....	312
Numerical parts list .....	317

#### **Appendix A All-in-one specifications**

Physical specifications .....	324
Supplies specifications .....	324
Performance .....	325
Electrical specifications .....	327
Power consumption .....	327
Environmental specifications .....	328
Acoustic emissions .....	328

#### **Appendix B Warranty information**

Hewlett-Packard limited warranty statement .....	330
Print Cartridge Limited Warranty Statement .....	331
Extended warranty .....	332

#### **Appendix C Regulatory statements**

Declaration of conformity (HP LaserJet 3390, 3392, 3055, and 3050) .....	334
Country/region-specific safety statements .....	335
Laser safety statement .....	335
Canadian DOC statement .....	335
Korean EMI statement .....	335
Finnish laser statement .....	336
Japan power cord statement .....	336

<b>Index .....</b>	<b>337</b>
--------------------	------------



# List of tables

Table 1-1	All-in-one guides .....	2
Table 1-2	All-in-one configurations .....	3
Table 1-3	All-in-one features .....	5
Table 1-4	Supported printer drivers .....	11
Table 1-5	Single-sheet priority input slot (tray 1) .....	17
Table 1-6	Tray 2 and optional tray 3 .....	17
Table 1-7	ADF .....	18
Table 4-1	Sequence of operation .....	82
Table 4-2	Power-on sequence .....	83
Table 6-1	Alerts and warning messages .....	207
Table 6-2	Critical-error messages .....	213
Table 7-1	Control-panel bezels .....	262
Table 7-2	Service and training support .....	263
Table 7-3	User guides .....	263
Table 7-4	Getting started guide .....	263
Table 7-5	Technical support Web sites .....	264
Table 7-6	Repetitive image defects .....	266
Table 7-7	Scanner and ADF assemblies .....	281
Table 7-8	Scanner components .....	283
Table 7-9	ADF components .....	285
Table 7-10	Convenience stapler components (HP LJ 3392 only) .....	287
Table 7-11	Formatter, LIU, HP jewel, and nameplate .....	289
Table 7-12	External covers and panels .....	291
Table 7-13	Internal components (1 of 4) .....	293
Table 7-14	Internal components (2 of 4) .....	295
Table 7-15	Internal components (3 of 4) .....	297
Table 7-16	Internal components (4 of 4) .....	299
Table 7-17	Engine-controller assembly .....	301
Table 7-18	Main-drive assembly .....	303
Table 7-19	Duplexing-drive assembly .....	305
Table 7-20	Cassette, tray 2 (250-sheet) .....	307
Table 7-21	Duplexing assembly .....	309
Table 7-22	Fuser assembly .....	311
Table 7-23	Alphabetical parts list .....	312
Table 7-24	Numerical parts list .....	317
Table A-1	Physical specifications .....	324
Table A-2	Supplies specifications .....	324
Table A-3	Performance .....	325
Table A-4	Electrical specifications .....	327
Table A-5	Power consumption (average, in watts) .....	327

Table A-6	Environmental specifications .....	328
Table A-7	Acoustic emissions .....	328

# List of figures

Figure 1-1	HP LaserJet 3390/3392 all-in-one	3
Figure 1-2	Front view	7
Figure 1-3	Back view	8
Figure 1-4	Interface ports	9
Figure 1-5	Control panel	9
Figure 1-6	HP LaserJet 3390/3392 all-in-one identification label	10
Figure 2-1	Operating environment	22
Figure 2-2	HP LaserJet 3390/3392 all-in-one package contents	24
Figure 2-3	Install the ADF input tray	25
Figure 2-4	Install the 250-sheet input tray	26
Figure 2-5	Install the control-panel faceplate	27
Figure 2-6	Load a document onto the flatbed scanner	28
Figure 2-7	Load documents into the ADF (1 of 2)	29
Figure 2-8	Load documents into the ADF (2 of 2)	29
Figure 2-9	Load the single-sheet priority input slot (tray 1)	30
Figure 2-10	Loading tray 2 or tray 3 (1 of 3)	30
Figure 2-11	Load tray 2 or tray 3 (2 of 3)	31
Figure 2-12	Load tray 2 or tray 3 (3 of 3)	31
Figure 2-13	Removing and replacing a DIMM (1 of 4)	32
Figure 2-14	Removing and replacing a DIMM (2 of 4)	32
Figure 2-15	Removing and replacing a DIMM (3 of 4)	33
Figure 2-16	Removing and replacing a DIMM (4 of 4)	33
Figure 3-1	Replacing the print cartridge (1 of 5)	39
Figure 3-2	Replacing the print cartridge (2 of 5)	39
Figure 3-3	Replacing the print cartridge (3 of 5)	40
Figure 3-4	Replacing the print cartridge (4 of 5)	40
Figure 3-5	Replacing the print cartridge (5 of 5)	41
Figure 3-6	Install the staple cassette (1 of 4)	42
Figure 3-7	Install the staple cassette (2 of 4)	42
Figure 3-8	Install the staple cassette (3 of 4)	43
Figure 3-9	Install the staple cassette (4 of 4)	43
Figure 3-10	Replace the tray 2 pickup roller (1 of 7)	44
Figure 3-11	Replace the tray 2 pickup roller (2 of 7)	45
Figure 3-12	Replace the tray 2 pickup roller (3 of 7)	45
Figure 3-13	Replace the tray 2 pickup roller (4 of 7)	46
Figure 3-14	Replace the tray 2 pickup roller (5 of 7)	46
Figure 3-15	Replace the tray 2 pickup roller (6 of 7)	47
Figure 3-16	Replace the tray 2 pickup roller (7 of 7)	47
Figure 3-17	Replace the tray 2 or tray 3 separation pad (1 of 6)	49
Figure 3-18	Replace the tray 2 or tray 3 separation pad (2 of 6)	49

Figure 3-19	Replace the tray 2 or tray 3 separation pad (3 of 6)	50
Figure 3-20	Replace the tray 2 or tray 3 separation pad (4 of 6)	50
Figure 3-21	Replace the tray 2 or tray 3 separation pad (5 of 6)	51
Figure 3-22	Replace the tray 2 or tray 3 separation pad (6 of 6)	51
Figure 3-23	Cleaning the scanner glass (1 of 2)	53
Figure 3-24	Cleaning the scanner glass (2 of 2)	54
Figure 3-25	Cleaning the scanner-cover backing	55
Figure 3-26	Cleaning the tray 2 pickup roller (1 of 6)	56
Figure 3-27	Cleaning the tray 2 pickup roller (2 of 6)	56
Figure 3-28	Cleaning the tray 2 pickup roller (3 of 6)	57
Figure 3-29	Cleaning the tray 2 pickup roller (4 of 6)	57
Figure 3-30	Cleaning the tray 2 pickup roller (5 of 6)	58
Figure 3-31	Cleaning the tray 2 pickup roller (6 of 6)	58
Figure 3-32	Cleaning the ADF pickup-roller assembly (1 of 7)	60
Figure 3-33	Cleaning the ADF pickup-roller assembly (2 of 7)	60
Figure 3-34	Cleaning the ADF pickup-roller assembly (3 of 7)	61
Figure 3-35	Cleaning the ADF pickup-roller assembly (4 of 7)	61
Figure 3-36	Cleaning the ADF pickup-roller assembly (5 of 7)	62
Figure 3-37	Cleaning the ADF pickup-roller assembly (6 of 7)	62
Figure 3-38	Cleaning the ADF pickup-roller assembly (7 of 7)	63
Figure 3-39	Cleaning the print path	63
Figure 4-1	HP LaserJet 3390/3392 all-in-one system block diagram	82
Figure 4-2	Optical system	84
Figure 4-3	ADF paper path	86
Figure 4-4	Internal components (base unit)	88
Figure 4-5	Engine control system	90
Figure 4-6	Engine-control-system circuit diagram	91
Figure 4-7	Laser/scanner system	92
Figure 4-8	Pickup/feed/delivery system	94
Figure 4-9	Image-formation system	95
Figure 4-10	Primary charging	95
Figure 4-11	Developing	96
Figure 4-12	Transfer	97
Figure 4-13	Separation	97
Figure 4-14	Fusing	98
Figure 4-15	Drum cleaning	98
Figure 5-1	Phillips and pozidrive screwdriver comparison	109
Figure 5-2	Parts-removal tree	112
Figure 5-3	Remove the print cartridge (1 of 2)	113
Figure 5-4	Remove the print cartridge (2 of 2)	113
Figure 5-5	Remove the right cover (1 of 4)	114
Figure 5-6	Remove the right cover (2 of 4)	114
Figure 5-7	Remove the right cover (3 of 4)	115
Figure 5-8	Remove the right cover (4 of 4)	115
Figure 5-9	Remove the left cover (1 of 3)	116
Figure 5-10	Remove the left cover (2 of 3)	116
Figure 5-11	Remove the left cover (3 of 3)	117
Figure 5-12	Removing the print-cartridge door (1 of 2)	118
Figure 5-13	Removing the print-cartridge door (2 of 2)	119
Figure 5-14	Remove the rear cover (1 of 2)	120

Figure 5-15	Remove the rear cover (2 of 2)	121
Figure 5-16	Remove the top cover (1 of 3)	122
Figure 5-17	Remove the top cover (2 of 3)	122
Figure 5-18	Remove the top cover (3 of 3)	123
Figure 5-19	Replacing the ADF pickup-roller assembly (1 of 6)	124
Figure 5-20	Replacing the ADF pickup-roller assembly (2 of 6)	124
Figure 5-21	Replacing the ADF pickup-roller assembly (3 of 6)	125
Figure 5-22	Replacing the ADF pickup-roller assembly (4 of 6)	125
Figure 5-23	Replacing the ADF pickup-roller assembly (5 of 6)	126
Figure 5-24	Replacing the ADF pickup-roller assembly (6 of 6)	126
Figure 5-25	Remove the ADF assembly (1 of 3)	127
Figure 5-26	Remove the ADF assembly (2 of 3)	127
Figure 5-27	Remove the ADF assembly (3 of 3)	128
Figure 5-28	Remove the scanner/ADF assembly (1 of 3)	129
Figure 5-29	Remove the scanner/ADF assembly (2 of 3)	129
Figure 5-30	Remove the scanner/ADF assembly (3 of 3)	130
Figure 5-31	Remove the bezel and control panel (1 of 4)	131
Figure 5-32	Remove the bezel and control panel (2 of 4)	131
Figure 5-33	Remove the bezel and control panel (3 of 4)	132
Figure 5-34	Remove the bezel and control panel (4 of 4)	133
Figure 5-35	Remove the convenience-stapler assembly (1 of 2)	134
Figure 5-36	Remove the convenience-stapler assembly (2 of 2)	135
Figure 5-37	Remove the convenience-stapler power assembly (1 of 3)	136
Figure 5-38	Remove the convenience-stapler power assembly (2 of 3)	136
Figure 5-39	Remove the convenience-stapler power assembly (3 of 3)	137
Figure 5-40	Remove the convenience-stapler ac inlet cable	138
Figure 5-41	Remove the convenience-stapler bracket and strap	139
Figure 5-42	Remove the speaker (1 of 2)	140
Figure 5-43	Remove the speaker (2 of 2)	141
Figure 5-44	Remove the power-switch PCA (HP LaserJet 3392 shown)	142
Figure 5-45	Remove the formatter (1 of 3)	143
Figure 5-46	Remove the formatter (2 of 3)	144
Figure 5-47	Remove the formatter (3 of 3)	145
Figure 5-48	Remove the duplex assembly (1 of 3)	146
Figure 5-49	Remove the duplex assembly (2 of 3)	146
Figure 5-50	Remove the duplex assembly (3 of 3)	147
Figure 5-51	Remove the laser/scanner assembly	149
Figure 5-52	Remove the memory-tag-reader assembly (1 of 2)	150
Figure 5-53	Remove the memory-tag-reader assembly (2 of 2)	151
Figure 5-54	Remove the fan (1 of 2)	152
Figure 5-55	Remove the fan (2 of 2)	153
Figure 5-56	Remove the duplex-drive gears	154
Figure 5-57	Remove the duplex solenoid (1 of 2)	155
Figure 5-58	Remove the duplex solenoid (2 of 2)	156
Figure 5-59	Remove the fuser (1 of 11)	157
Figure 5-60	Remove the fuser (2 of 11)	158
Figure 5-61	Remove the fuser (3 of 11)	158
Figure 5-62	Remove the fuser (4 of 11)	159
Figure 5-63	Remove the fuser (5 of 11)	159
Figure 5-64	Remove the fuser (6 of 11)	160

Figure 5-65	Remove the fuser (7 of 11)	160
Figure 5-66	Remove the fuser (8 of 11)	161
Figure 5-67	Remove the fuser (9 of 11)	161
Figure 5-68	Remove the fuser (10 of 11)	162
Figure 5-69	Remove the fuser (11 of 11)	162
Figure 5-70	Remove the interlock assembly (1 of 2)	163
Figure 5-71	Remove the interlock assembly (2 of 2)	163
Figure 5-72	Remove the ECU (1 of 8)	165
Figure 5-73	Remove the ECU (2 of 8)	165
Figure 5-74	Remove the ECU (3 of 8)	166
Figure 5-75	Remove the ECU (4 of 8)	166
Figure 5-76	Remove the ECU (5 of 8)	167
Figure 5-77	Remove the ECU (6 of 8)	167
Figure 5-78	Remove the ECU (7 of 8)	168
Figure 5-79	Remove the ECU (8 of 8)	168
Figure 5-80	Remove the main motor (1 of 2)	169
Figure 5-81	Remove the main motor (2 of 2)	170
Figure 5-82	Remove the transfer roller	171
Figure 5-83	Remove the registration-roller assembly	172
Figure 5-84	Remove the main gear assembly (1 of 3)	173
Figure 5-85	Remove the main gear assembly (2 of 3)	174
Figure 5-86	Remove the main gear assembly (3 of 3)	174
Figure 5-87	Remove the tray 2 pickup solenoid (1 of 2)	175
Figure 5-88	Remove the tray 2 pickup solenoid (2 of 2)	175
Figure 6-1	Jams in the print-cartridge area (1 of 5)	183
Figure 6-2	Jams in the print-cartridge area (2 of 5)	184
Figure 6-3	Jams in the print-cartridge area (3 of 5)	184
Figure 6-4	Jams in the print-cartridge area (4 of 5)	185
Figure 6-5	Jams in the print-cartridge area (5 of 5)	185
Figure 6-6	Jams in the trays (1 of 10)	186
Figure 6-7	Jams in the trays (2 of 10)	186
Figure 6-8	Jams in the trays (3 of 10)	187
Figure 6-9	Jams in the trays (4 of 10)	187
Figure 6-10	Jams in the trays (5 of 10)	188
Figure 6-11	Jams in the trays (6 of 10)	188
Figure 6-12	Jams in the trays (7 of 10)	189
Figure 6-13	Jams in the trays (8 of 10)	189
Figure 6-14	Jams in the trays (9 of 10)	190
Figure 6-15	Jams in the trays (10 of 10)	190
Figure 6-16	Jams in the output bin	191
Figure 6-17	Jams in the straight-through output path (1 of 4)	192
Figure 6-18	Jams in the straight-through output path (2 of 4)	192
Figure 6-19	Jams in the straight-through output path (3 of 4)	193
Figure 6-20	Jams in the straight-through output path (4 of 4)	193
Figure 6-21	Jams in the duplex path (1 of 10)	194
Figure 6-22	Jams in the duplex path (2 of 10)	195
Figure 6-23	Jams in the duplex path (3 of 10)	195
Figure 6-24	Jams in the duplex path (4 of 10)	196
Figure 6-25	Jams in the duplex path (5 of 10)	196
Figure 6-26	Jams in the duplex path (6 of 10)	197



Figure 6-27	Jams in the duplex path (7 of 10)	197
Figure 6-28	Jams in the duplex path (8 of 10)	198
Figure 6-29	Jams in the duplex path (9 of 10)	198
Figure 6-30	Jams in the duplex path (10 of 10)	199
Figure 6-31	Jams in the ADF (1 of 10)	199
Figure 6-32	Jams in the ADF (2 of 10)	200
Figure 6-33	Jams in the ADF (3 of 10)	200
Figure 6-34	Jams in the ADF (4 of 10)	201
Figure 6-35	Jams in the ADF (5 of 10)	201
Figure 6-36	Jams in the ADF (6 of 10)	202
Figure 6-37	Jams in the ADF (7 of 10)	202
Figure 6-38	Jams in the ADF (8 of 10)	203
Figure 6-39	Jams in the ADF (9 of 10)	203
Figure 6-40	Jams in the ADF (10 of 10)	204
Figure 6-41	Jams in the convenience stapler (1 of 5)	204
Figure 6-42	Jams in the convenience stapler (2 of 5)	205
Figure 6-43	Jams in the convenience stapler (3 of 5)	205
Figure 6-44	Jams in the convenience stapler (4 of 5)	206
Figure 6-45	Jams in the convenience stapler (5 of 5)	206
Figure 6-46	Engine test switch	245
Figure 6-47	Print-cartridge high-voltage connection points (right side)	248
Figure 6-48	Print-cartridge high-voltage connection points (left side)	248
Figure 7-1	Interface connectors	267
Figure 7-2	Formatter connectors	268
Figure 7-3	LIU connectors	269
Figure 7-4	Solenoids	270
Figure 7-5	Switches and sensors	271
Figure 7-6	Rollers and pads	272
Figure 7-7	PCAs (base unit)	273
Figure 7-8	Major components (base unit)	274
Figure 7-9	Scanner and ADF	275
Figure 7-10	Circuit diagram (1 of 2)	276
Figure 7-11	Circuit diagram (2 of 2)	277
Figure 7-12	Scanner and ADF assemblies	280
Figure 7-13	Scanner assemblies	282
Figure 7-14	ADF components	284
Figure 7-15	Convenience stapler components (HP LJ 3392 only)	286
Figure 7-16	Formatter, LIU, HP jewel, and nameplate	288
Figure 7-17	External covers and panels	290
Figure 7-18	Internal components (1 of 4)	292
Figure 7-19	Internal components (2 of 4)	294
Figure 7-20	Internal components (3 of 4)	296
Figure 7-21	Internal components (4 of 4)	298
Figure 7-22	Engine-controller assembly	300
Figure 7-23	Main-drive assembly	302
Figure 7-24	Duplexing-drive assembly	304
Figure 7-25	Tray 2 cassette and tray 3 cassette/feeder	306
Figure 7-26	Duplexing assembly	308
Figure 7-27	Fuser assembly	310



# 1 Product information

- [Quick access to all-in-one information](#)
- [All-in-one configurations](#)
- [All-in-one features](#)
- [Product walkaround](#)
- [Model and serial numbers](#)
- [Software description](#)
- [Software installation](#)
- [Software for Windows](#)
- [Software for Macintosh](#)
- [Uninstalling software](#)
- [Media specifications](#)

## Quick access to all-in-one information

Use the following Web sites to find information about the all-in-one.

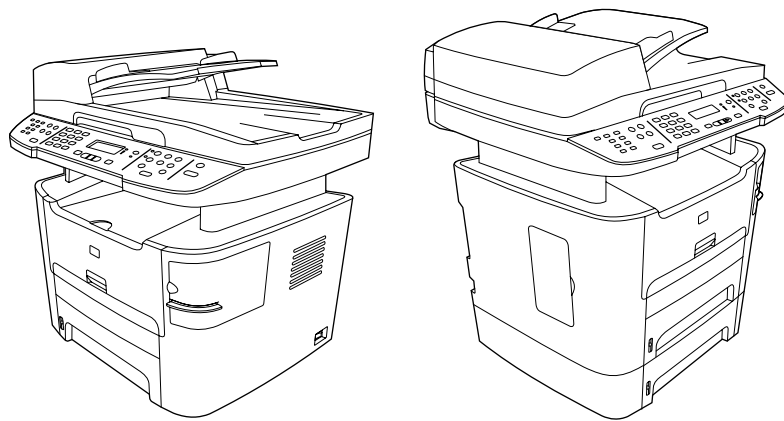
- HP LaserJet 3390 all-in-one: [www.hp.com/support/lj3390](http://www.hp.com/support/lj3390)
- HP LaserJet 3392 all-in-one: [www.hp.com/support/lj3392](http://www.hp.com/support/lj3392)

**Table 1-1** All-in-one guides

Guide	Description
Getting started guide	Provides step-by-step instructions for installing and setting up the all-in-one.
User guide	Provides detailed information for using and troubleshooting the all-in-one. Available on the all-in-one CD or in <b>Program Group</b> if the software is installed on a computer.
HP ToolboxFX	To check the all-in-one status and settings and view troubleshooting information and online documentation, use the HP ToolboxFX. You must have performed a complete software installation in order to use the HP ToolboxFX. See the user guide for more information about software installation.
Online Help	Provides information about options that are available in the printer drivers. To view a Help file, open the online Help through the printer driver.

# All-in-one configurations

The all-in-one is available in the following configurations.



**Figure 1-1** HP LaserJet 3390/3392 all-in-one

**Table 1-2** All-in-one configurations

Model	Item
HP LaserJet 3390 all-in-one	<ul style="list-style-type: none"><li>• Prints letter-size pages at speeds up to 22 pages-per-minute (ppm) and A4-size pages at speeds up to 21 ppm</li><li>• Includes PCL 5e and PCL 6 printer drivers and HP postscript level 3 emulation</li><li>• Priority input slot (tray 1) for sheet-fed printing</li><li>• The multipurpose tray (tray 2) holds up to 250-sheets of print media or 10 envelopes.</li><li>• An optional 250-sheet input tray (tray 3) is available.</li><li>• Automatic 2-sided (duplex) printing, receiving faxes, and copying</li><li>• In accordance with ISO/IEC 19752, average yield for the standard black print cartridge is 2,500 pages.<sup>1</sup></li><li>• In accordance with ISO/IEC 19752, average yield for the high-capacity black print cartridge is 6,000 pages.<sup>1</sup></li><li>• Hi-Speed USB 2.0 port and a port for connecting to a 10/100Base-T network</li><li>• 64 MB RAM</li></ul>

**Table 1-2** All-in-one configurations (continued)

Model	Item
	<ul style="list-style-type: none"><li data-bbox="858 222 1385 279">● Flatbed scanner and 50-page automatic document feeder (ADF)</li><li data-bbox="858 302 1442 390">● One available dual inline memory module (DIMM) slot for memory expansion and additional font support (memory expandable to 128 MB)</li></ul>
HP LaserJet 3392 all-in-one	<p data-bbox="858 401 1442 464">The HP LaserJet 3392 all-in-one has all of the features of the HP LaserJet 3390 all-in-one plus:</p> <ul style="list-style-type: none"><li data-bbox="858 478 1299 510">● An additional 250-sheet input tray (tray 3)</li><li data-bbox="858 531 1118 562">● A convenience stapler</li></ul>

<sup>1</sup> Actual yield depends on specific use.

# All-in-one features

Table 1-3 All-in-one features

Feature	Description
<b>Print quality</b>	<ul style="list-style-type: none"><li>• 1200 dots per inch (dpi) text and graphics with image RET 2400</li><li>• Adjustable settings to optimize print quality</li><li>• The HP UltraPrecise print cartridge has a finer toner formulation that provides sharper text and graphics.</li></ul>
<b>Fax</b>	Full-functionality fax capabilities with a V.34 fax; includes a phone book, fax polling, and delayed-fax features
<b>Copy</b>	Includes an ADF that accommodates faster, more efficient copy jobs with multiple-page documents.
<b>Scan</b>	<ul style="list-style-type: none"><li>• The HP LaserJet 3390/3392 all-in-one provides 1200 pixels per inch (ppi), 24-bit full color scanning from a letter/A4-size scanning glass.</li><li>• The ADF accommodates faster, more efficient scan jobs with multiple-page documents</li></ul>
<b>Staple</b>	<ul style="list-style-type: none"><li>• The HP LaserJet 3392 all-in-one includes a convenience stapler for fast and convenient stapling of up to 20-sheets of 80-g/m<sup>2</sup> (20-lb) media.</li><li>• The large-capacity replacement staple cassette holds 1,500 staples.</li></ul>
<b>Networking</b>	<ul style="list-style-type: none"><li>• TCP/IP</li><li>• LPD</li><li>• 9100</li></ul>
<b>Printer-driver features</b>	The PCL 6 printer language provides fast printing performance, built-in intellifont and TrueType scaling technologies, and advanced imaging capabilities.
<b>Automatic language-switching</b>	The all-in-one automatically determines and switches to the appropriate printer language (such as PS or PCL 6) for the print job.
<b>Interface connections</b>	<ul style="list-style-type: none"><li>• Hi-Speed USB 2.0 port</li><li>• 10/100 ethernet (RJ45) network port</li></ul>
<b>Environmental features</b>	<ul style="list-style-type: none"><li>• PowerSave mode</li><li>• ENERGY STAR® qualified</li></ul>
<b>Economical printing</b>	<ul style="list-style-type: none"><li>• N-up printing (printing more than one page on a sheet)</li><li>• Two-sided printing using the automatic duplexer</li></ul>

**Table 1-3** All-in-one features (continued)

<b>Feature</b>	<b>Description</b>
<b>Supplies</b>	<ul style="list-style-type: none"><li>● A supplies status page with a print cartridge gauge that shows the supply levels that remain (HP supplies only)</li><li>● No-shake print cartridge design</li><li>● Authentication for HP print cartridges</li><li>● Enabled supplies-ordering capability</li></ul>
<b>Accessibility</b>	<ul style="list-style-type: none"><li>● The online user guide is compatible with text screen-readers.</li><li>● Print cartridges can be installed and removed by using one hand.</li><li>● All doors and covers can be opened by using one hand.</li></ul>



# Product walkaround

## HP LaserJet 3390/3392 all-in-one

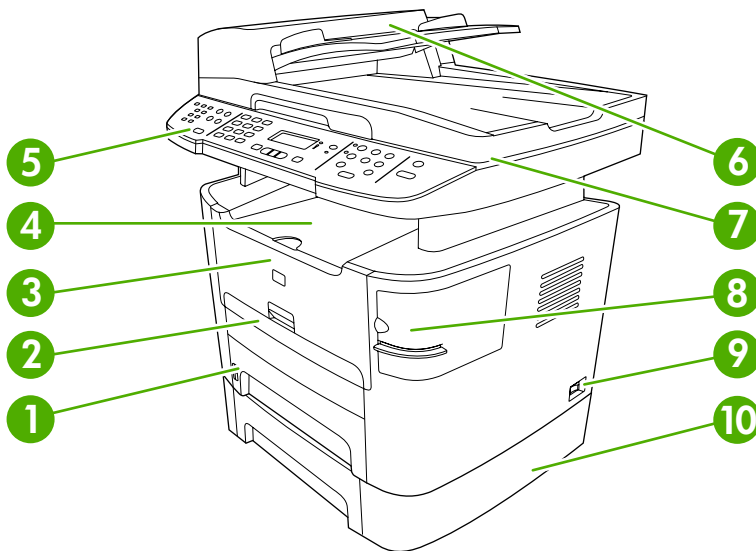
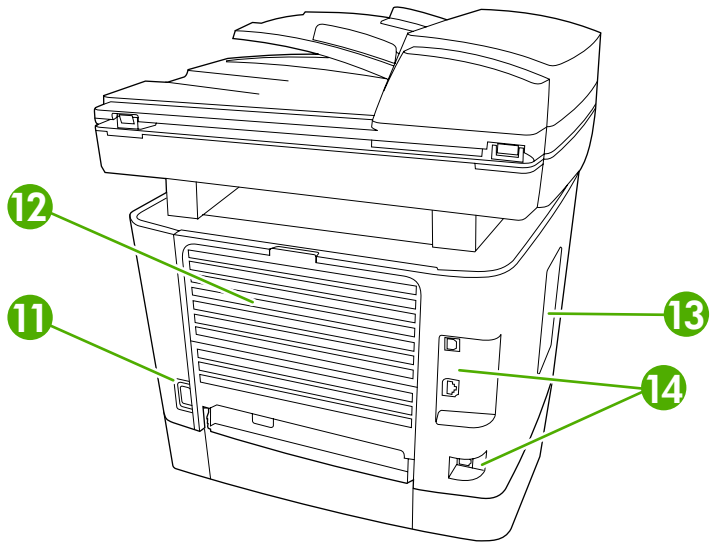


Figure 1-2 Front view

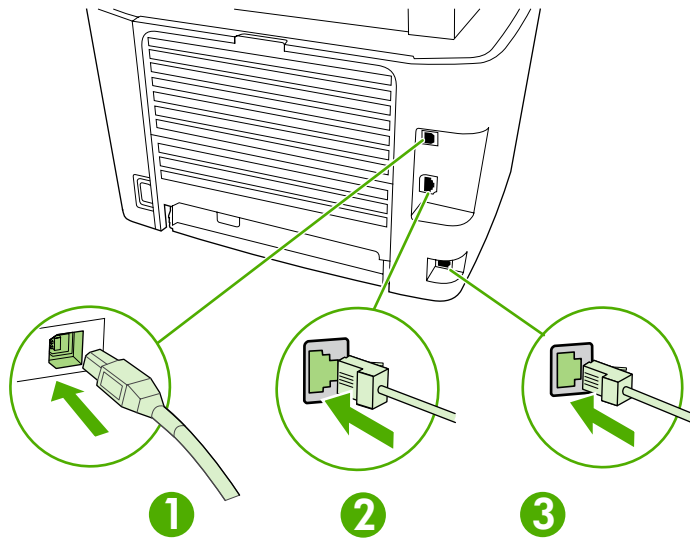
1	Tray 2
2	Priority input slot (tray 1)
3	Print-cartridge door
4	Top (face-down) output bin
5	Control panel
6	Automatic document feeder (ADF)
7	Flatbed scanner glass (under the scanner cover)
8	Convenience stapler (HP LaserJet 3392 all-in-one only)
9	Power switch
10	Optional tray 3 (standard on the HP LaserJet 3392 all-in-one)



**Figure 1-3** Back view

11	Power connector
12	Rear (face-up) output bin door (used for straight-through output path)
13	DIMM door
14	Interface ports

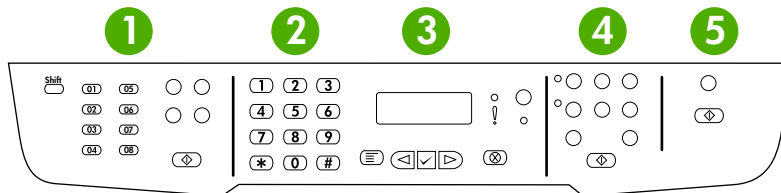
## Interface ports



**Figure 1-4** Interface ports

1	Hi-Speed USB 2.0 port
2	Network port
3	Fax port

## Control panel

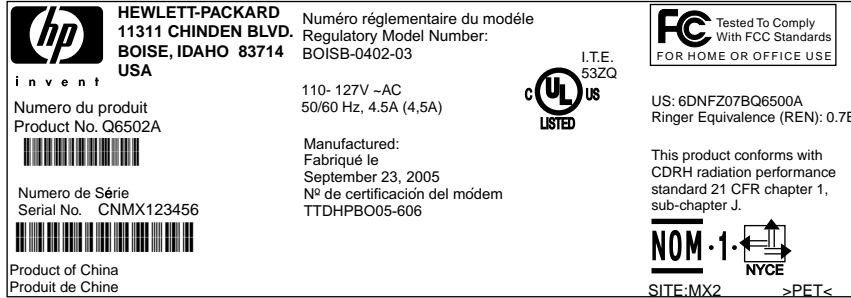


**Figure 1-5** Control panel

1	<b>Fax controls.</b> Use the fax controls to change commonly used fax settings.
2	<b>Alphanumeric buttons.</b> Use the alphanumeric buttons to type data into the all-in-one control-panel display and dial telephone numbers for faxing.
3	<b>Menu and cancel controls.</b> Use these controls to select menu options, determine the all-in-one status, and cancel the current print job.
4	<b>Copy controls.</b> Use these controls to change commonly used default settings and to start copying.
5	<b>Scan controls.</b> Use these controls to scan to e-mail or to a folder.

## Model and serial numbers

An identification label is located on the inside of the print-cartridge door of the all-in-one. This label contains the model and serial numbers. The serial number shows information about the country/region of origin, revision level, production code, and production number of the all-in-one. The label also contains power-rating and regulatory information.



**Figure 1-6** HP LaserJet 3390/3392 all-in-one identification label

# Software description

## Supported drivers

The following printer drivers are provided. If the printer driver you want is not on the all-in-one CD or is not available on [www.hp.com](http://www.hp.com), contact the manufacturer or distributor of the program that you are using, and request a driver for the all-in-one.



**NOTE** The most recent drivers are available at [www.hp.com](http://www.hp.com). Depending on the configuration of Windows-based computers, the installation program for the all-in-one software automatically checks the computer for Internet access to obtain the latest drivers.

**Table 1-4** Supported printer drivers

Operating system <sup>1</sup>	Fax driver	PCL 6 printer driver	PCL 5 printer driver	PS printer driver	PPD <sup>2</sup> printer driver
Microsoft® Windows® 98		X	X	X	
Microsoft Millennium Edition (Me)		X	X	X	
Windows 2000	X	X	X	X	
Windows XP	X	X	X	X	
Windows Server 2003		X	X	X	
Mac OS X V10.3 and Mac OS X V10.4	X			X	X

<sup>1</sup> Not all all-in-one features are available from all drivers or operating systems. See the context-sensitive help in the printer driver for available features.

<sup>2</sup> A Macintosh printer driver and the necessary PostScript® (PS) Printer Description Files (PPDs) are included with the all-in-one.

## Additional drivers

The following drivers are not included on the CD, but are available from the Internet.

- UNIX® Model Scripts
- Linux drivers
- Windows XP 64-bit drivers

You can obtain Model Scripts for UNIX and Linux by downloading them from the Internet. For Linux support see [www.hp.com/linux](http://www.hp.com/linux). For UNIX support see [www.hp.com/gp/jetdirectunix\\_software](http://www.hp.com/gp/jetdirectunix_software).

# Software installation

If your computer meets the recommended minimum requirements, you have two options when installing the software from the CDs that came with the all-in-one.

## Typical installation

The following software is included with a typical installation:

- HP ToolboxFX
- HP LaserJet Scan program and driver
- HP LaserJet Fax
- Readiris OCR (not installed with other software; separate installation is required)
- Printer drivers (PCL 6, PCL 5e, PostScript Level 2 emulation)
- HP Director (Macintosh)
- HP All-in-One Setup Assistant (Macintosh)

## Minimum installation

The following software is included with a typical installation:

- PCL 6 printer driver
- HP LaserJet Scan program and driver



---

**NOTE** Minimum installation supports faxing by using the control panel.

---

# Software for Windows

When you install the software for Windows, you can directly connect the all-in-one to a computer by using a USB cable, or you can connect the all-in-one to a network by using the internal print server. See the getting started guide for installation instructions, and see the Readme file for the latest software information.

## Software components for Windows

### HP ToolboxFX

Perform a typical installation in order to use HP ToolboxFX.

HP ToolboxFX provides links to all-in-one status information and help information, such as the user guide, and tools for troubleshooting all-in-one problems. See [Using the HP ToolboxFX on page 68](#).

### Embedded Web server (EWS)

The EWS is a Web-based interface that provides simple access to all-in-one status and configurations, including network configurations and Smart Printing Supplies (SPS) functionality.

You can gain access to the EWS through the network connection to the all-in-one. Type the all-in-one IP address in a Web browser to open the all-in-one EWS home page in the browser. From the home page, you can use the tabs and left navigation menu to check the status of the all-in-one, configure the all-in-one, or check the status of the supplies.

The following are supported browsers:

- Internet Explorer 5.0 or later
- Netscape Navigator 4.75 or later
- Opera 6.05 or later
- Safari 1.2 or later

# Software for Macintosh

For Mac OS X V10.3 and Mac OS X V10.4, use Print Center to print.



---

**NOTE** For Macintosh computers, HP ToolboxFX is not supported.

---

## HP Director

HP Director is a software program for working with documents. When the document is loaded into the ADF and the computer is connected directly to the all-in-one, HP Director appears on the computer screen to initiate faxing, scanning, or changing settings on the all-in-one through Macintosh Configure Device.

Also included is the HP all-in-one Setup Assistant, which sets up the fax and print queues.

## Macintosh Configure Device (Mac OS X V10.3 and Mac OS X V10.4)

Macintosh Configure Device is a Web-based program that provides access to information about the all-in-one (or example, information about supplies status and all-in-one settings). Use Macintosh Configure Device to monitor and manage the all-in-one from the computer.



---

**NOTE** You must perform a complete software installation to use Macintosh Configure Device.

---

- Check the all-in-one status and print information pages.
- Check and change all-in-one settings.
- Check default print settings.
- Check and change fax settings, including IP configuration, Advanced, mDNS, SNMP, network configuration, and fax reports.

You can view Macintosh Configure Device when the all-in-one is directly connected to a computer or when it is connected to the network.



---

**NOTE** You do not have to have Internet access to open and use Macintosh Configure Device.

---

### To view Macintosh Configure Device when the all-in-one is connected to the computer

1. Open HP Director by clicking the **HP Director** icon in the dock.
2. In HP Director, click **Settings**.
3. Select **Configure Device** to open the Macintosh Configure Device home page in a browser.

### To view Macintosh Configure Device when the all-in-one is connected to the network

1. Open one of the following browsers:
  - Internet Explorer 5.0 or later
  - Netscape Navigator 4.75 or later



- Opera 6.05 or later
  - Safari 1.2 or later
2. Type the IP address of the all-in-one into the Web browser to open the Macintosh Configure Device home page.

### **PDEs (Mac OS X V10.3 and Mac OS X V10.4)**

PDEs are code plug-ins that provide access to all-in-one features, such as information about the number of copies, two-sided printing, and quality settings. An installation program for the PDEs and other software is provided on the HP LaserJet 3390/3392 all-in-one CD for Macintosh.

# Uninstalling software

## Windows

Use the **Add or Remove Programs** method in Windows to remove the all-in-one software. This method does *not* require you to have the software CD.

1. Click **Start**, point to **Settings**, and then click **Control Panel**.



---

**NOTE** In Windows XP, click **Start**, and then click **Control panel**.

---

2. Double-click **Add or Remove Programs**.
3. Scroll through the list of software programs and click **HP LaserJet 3390/3392 all-in-one**.
4. Click **Remove**.

## Macintosh

To remove the software, drag the PPD files to the trash can.

# Media specifications

## Supported media weights and sizes



**NOTE** See the user guide for information about using media correctly.

For optimum results, use conventional 80 to 90 g/m<sup>2</sup> (20 to 24 lb) photocopy paper. Verify that the paper is of good quality and is free of cuts, nicks, tears, spots, loose particles, dust, wrinkles, curls, and bent edges.



**NOTE** The all-in-one supports a wide range of standard and custom size print media. The capacity of trays and bins can vary depending on media weight and thickness and on environmental conditions. Use only transparencies that are designed for use with HP LaserJet printers. Inkjet and monochrome transparencies are not supported for this all-in-one.

**Table 1-5** Single-sheet priority input slot (tray 1)

Media	Dimensions <sup>1</sup>	Weight	Capacity
Paper	Minimum 76 x 127 mm (3 x 5 inches)  Maximum 218 x 356 mm (8.5 x 14 inches)	60 to 163 g/m <sup>2</sup> (16 to 43 lb)	1 sheet
HP cover paper <sup>2</sup>	Same as the preceding listed minimum and maximum sizes.	203 g/m <sup>2</sup> (75 lb cover)	1 sheet
Transparencies and opaque film		Thickness: 0.10 to 0.13 mm (3.9 to 5.1 mils)	1 sheet
Labels <sup>3</sup>		Thickness: up to 0.23 mm (9 mils)	1 sheet
Envelopes		Up to 90 g/m <sup>2</sup> (16 to 24 lb)	1 sheet

<sup>1</sup> The all-in-one supports a wide range of standard and custom sizes of media. Check the printer driver for supported sizes.

<sup>2</sup> Hewlett-Packard does not guarantee results when printing with other types of heavy paper.

<sup>3</sup> Smoothness: 100 to 250 (Sheffield).

**Table 1-6** Tray 2 and optional tray 3

Media	Dimensions <sup>1</sup>	Weight	Capacity <sup>2</sup>
Minimum-size	148 x 147.3 mm (4.1 x 5.8 inches)	60 to 105 g/m <sup>2</sup> (16 to 28 lb)	250 sheets of 80 g/m <sup>2</sup> or 20 lb paper
Maximum-size	216 x 356 mm (8.5 x 14 inches)		
Letter	216 x 279 mm (8.5 x 11 inches)		
A4	210 x 297 mm (8.3 x 11.7 inches)		

**Table 1-6** Tray 2 and optional tray 3 (continued)

Media	Dimensions <sup>1</sup>	Weight	Capacity <sup>2</sup>
Legal	216 x 356 mm (8.5 x 14 inches)		
16K (195 x 270 mm)	195 x 270 mm (7.7 x 10.6 inches)		
16K (7.75 x 10.75 inches)	197 x 273 mm (7.8 x 10.7 inches)		
16K 184 x 260 mm	184 x 260 mm (7.2 x 10.2 inches)		
A5	148 x 210 mm (5.8 x 8.3 inches)		
B5 (ISO)	176 x 250 mm (6.9 x 9.9 inches)		
B5 (JIS)	182 x 257 mm (7.2 x 10 inches)		
Executive	191 x 267 mm (7.3 x 10.5 inches)		

<sup>1</sup> The all-in-one supports a wide range of standard and custom sizes of media. Check the printer driver for supported sizes.

<sup>2</sup> Capacity can vary depending on media weight and thickness, and environmental conditions.

**Table 1-7** ADF

Media	Dimensions <sup>1</sup>	Weight	Capacity <sup>2</sup>
Minimum-size	127 x 127 mm (5 x 5 inches)	60 to 90 gm <sup>2</sup> (16 to 24 lb)	50 sheets
Maximum-size	216 x 381 mm (8.5 x 15 inches)		



**NOTE** When faxing, copying, or scanning using the all-in-one, use the flatbed scanner if the original is fragile, thin, thick, too small for the ADF, or a photograph. Also use the flatbed scanner for the fit-to-page copying feature. The flatbed scanner provides the best fax, copy, and scan resolution.

## Media to avoid

The all-in-one can handle many types of media. Using media that is outside the specifications degrades print quality and increases the chance of jams occurring.

- Do not use media that is too rough.
- Do not use media that contains cutouts or perforations other than standard 3-hole punched paper.
- Do not use multipart forms.
- Do not use paper that contains a watermark if you are printing solid patterns.

## Media that can damage the all-in-one

In rare circumstances media can damage the all-in-one. Avoid the following types of media to prevent possible damage:

- Do not use media with staples attached.
- Do not use transparencies designed for inkjet printers or other low-temperature printers. Use only transparencies that are specified for use with HP LaserJet printers.
- Do not use photo paper intended for inkjet printers.
- Do not use paper that is embossed or coated and is not designed for the temperature of the image-fuser. Select media that can tolerate temperatures of 200°C (392°F) for 0.1 second. HP manufactures a media that is designed for the all-in-one.
- Do not use letterhead paper that was produced with low-temperature dyes or thermography. Preprinted forms or letterhead must use inks that can tolerate temperatures of 200°C (392°F) for 0.1 second.
- Do not use any media that produces emissions, or that melts, offsets, or discolors when exposed to 200°C (392°F) for 0.1 second.

To order HP LaserJet printing supplies, go to [www.hp.com/go/ljsupplies](http://www.hp.com/go/ljsupplies) in the U.S. or to [www.hp.com/ghp/buyonline.html/](http://www.hp.com/ghp/buyonline.html/) worldwide.



## 2 Installation

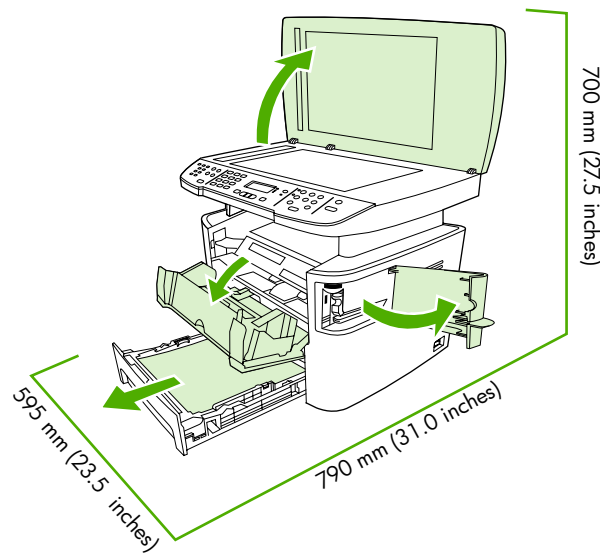
- [Operating environment](#)
- [Unpacking](#)
- [Installing input devices](#)
- [Installing the control-panel faceplate](#)
- [Loading media](#)
- [Installing accessories](#)

## Operating environment

Place the all-in-one on a sturdy, level surface in a well-ventilated area. Make sure that the air vents are not blocked and that the all-in-one is installed away from direct sunlight, open flames, and ammonia fumes.

Store or install the all-in-one in an area that meets the following requirements:

- Temperature (printer; operating) 15° to 32.5°C (59° to 90.5°F)
- Temperature (printer; storage) -20° to 60°C (-4° to 140°F)
- Humidity (printer; operating) 10 to 80% relative humidity (no condensation)
- Humidity (printer; storage) 10% to 90% relative humidity (no condensation)
- Temperature (toner cartridge; storage) -20° to 40° C (-4 to 104° F)
- Humidity (toner cartridge; storage) 10% to 90% relative humidity (no condensation)



**Figure 2-1** Operating environment



## Minimum system requirements

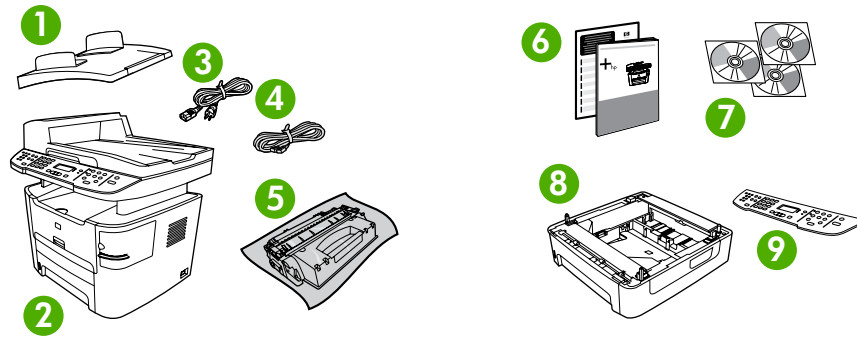
- Windows® 2000
- Windows XP
- Windows Millennium Edition (Me)
- Windows Server 2000
- Windows 98
- Mac OS X V10.3 and later
- 128 MB RAM for Windows operating systems
- 32 MB RAM for Macintosh operating systems
- 250 MB hard-disk space (full installation)
- CD-ROM drive
- USB port

# Unpacking

The following components are included in the box.



**NOTE** The USB and network cables are not included.



**Figure 2-2** HP LaserJet 3390/3392 all-in-one package contents

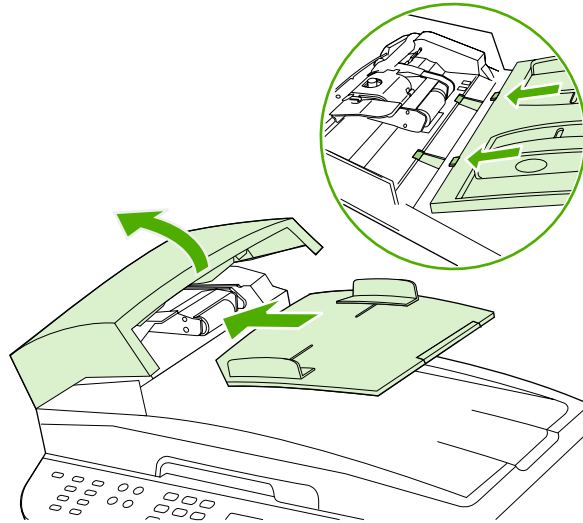
Item	Description
1	Automatic document feeder (ADF) input tray
2	HP LaserJet 3390/3392 all-in-one
3	Power cord
4	Fax cord
5	Print cartridge
6	Start guide and support flyer
7	CD-ROMs (software and online user guide)
8	250-sheet media input tray (HP LaserJet 3392 all-in-one only)
9	Control-panel faceplate (if not already installed)

Installing the supplies (for example, the print cartridge) is similar to replacing them. See [Managing supplies on page 36](#) for more information about installing supplies.

# Installing input devices

## ADF input tray

1. Open the ADF cover.
2. Align the two tabs on the input tray with the grooves in the ADF.
3. Slide the tray into the grooves until the tray snaps into place.
4. Close the ADF cover.



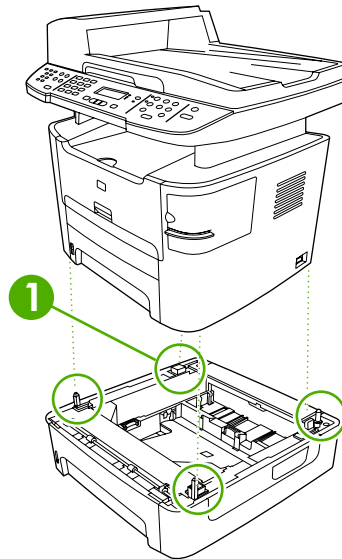
**Figure 2-3** Install the ADF input tray

## 250-sheet input tray (tray 3)



**CAUTION** Always install the 250-sheet tray (tray 3) in the location where the all-in-one will remain. The assembled combination is heavy, and cannot be easily moved.

1. Place the 250-sheet feeder (tray 3) on a sturdy, level surface.
2. Use the alignment pins at the corners of the tray as a guide, and place the all-in-one on top of the tray.
3. Make sure that the right-rear connector (callout 1) connects with the all-in-one.



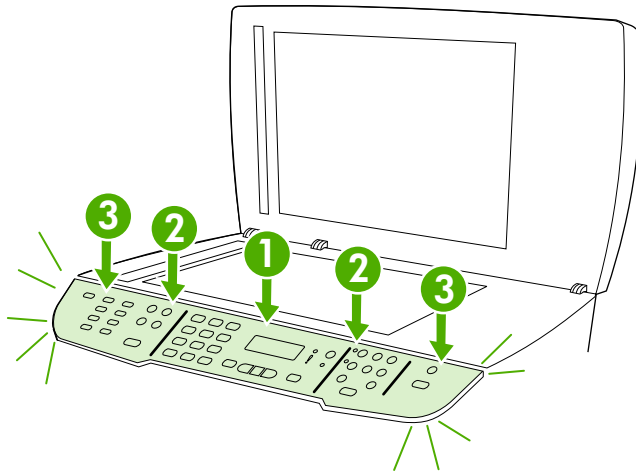
**Figure 2-4** Install the 250-sheet input tray

## Installing the control-panel faceplate



**NOTE** The control-panel faceplate might already be installed.

1. Lift the scanner cover.
2. Align the control-panel faceplate with the all-in-one.
3. Beginning in the center of the faceplate and working outward, press the faceplate until it snaps into place.



**Figure 2-5** Install the control-panel faceplate

# Loading media

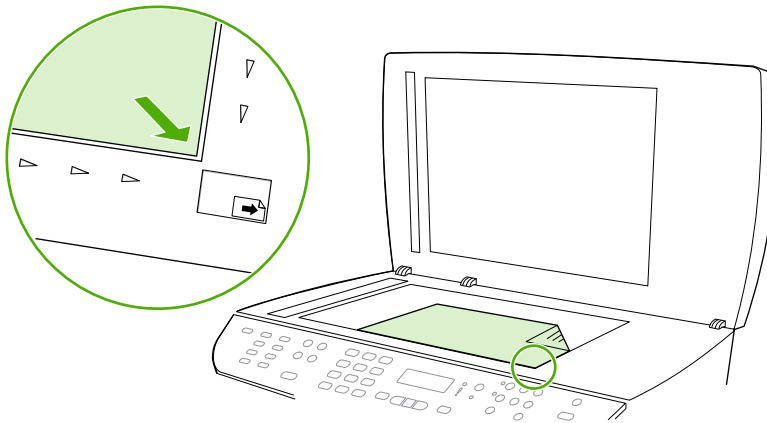
## Loading documents to fax, copy, or scan



**NOTE** For the best-quality scans, use the flatbed scanner.

### To load originals onto the flatbed scanner

1. Make sure that the automatic document feeder (ADF) contains no media.
2. Lift the scanner cover.
3. Place the original document face-down on the flatbed scanner glass with the upper-left corner of the document at the lower-right corner of the glass.



**Figure 2-6** Load a document onto the flatbed scanner

4. Gently close the scanner cover.

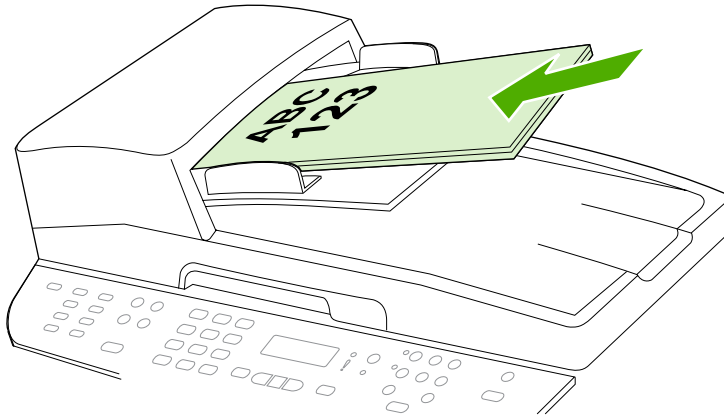
The document is ready to be faxed/copied/scanned.

## To load originals into the ADF



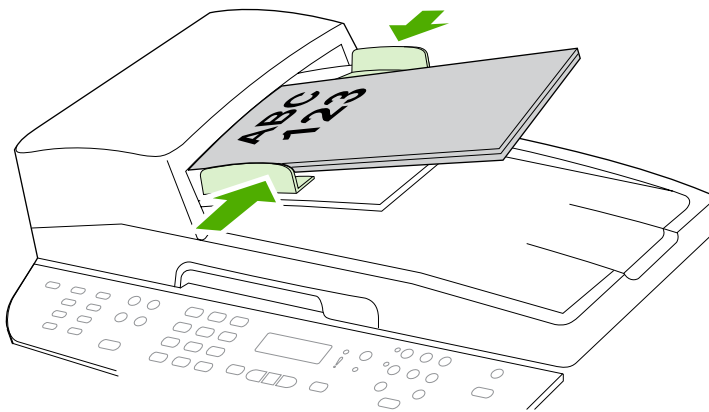
**NOTE** The ADF capacity for the HP LaserJet 3390/3392 all-in-one is up to 50 sheets of 80 g/m<sup>2</sup> or 20 lb media.

1. Insert the stack of originals into the ADF input tray top-edge-first, with the media stack face-up and the first page to be copied on the top of the stack. Slide the stack into the ADF until it does not move any farther.



**Figure 2-7** Load documents into the ADF (1 of 2)

2. Adjust the media guides until they are snug against the stack.



**Figure 2-8** Load documents into the ADF (2 of 2)

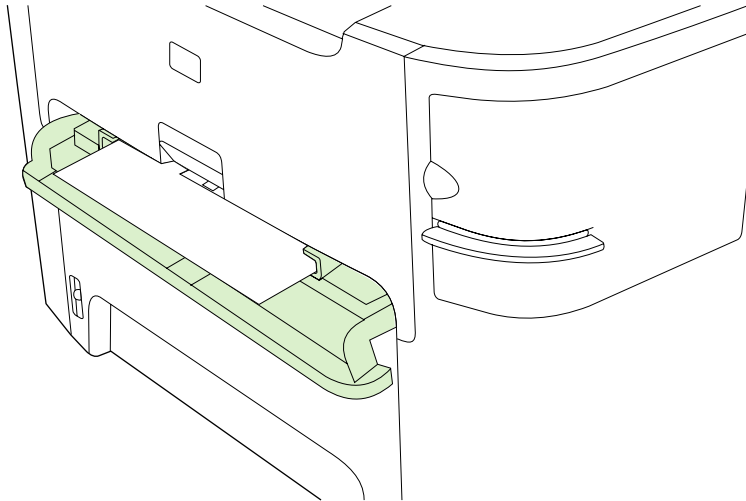
3. The document is ready to be faxed, copied, or scanned.

## Loading the single-sheet priority input slot (tray 1)



**NOTE** The single-sheet priority input slot on the HP LaserJet 3390/3392 all-in-one holds one sheet of media up to 163 g/m<sup>2</sup> (43 lb) in weight or one envelope, transparency, or card. To prevent jams and skewing, always adjust the side media guides before feeding the media.

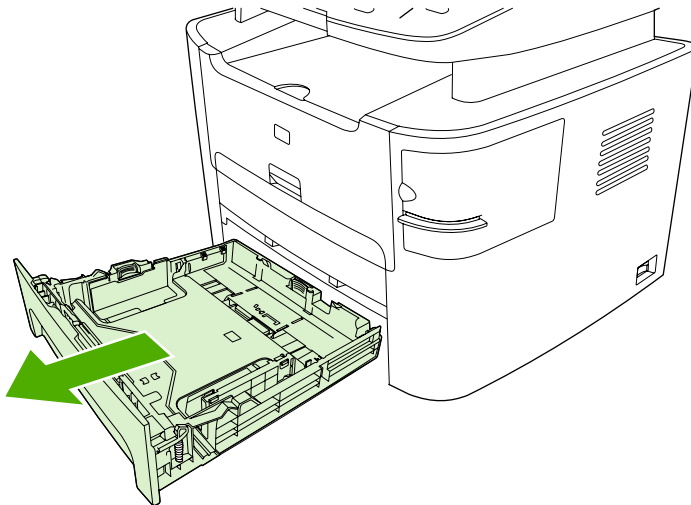
Load the media with the top forward and the side to be printed on facing up.



**Figure 2-9** Load the single-sheet priority input slot (tray 1)

## Loading tray 2 or optional tray 3

1. Pull out tray 2 or tray 3.



**Figure 2-10** Loading tray 2 or tray 3 (1 of 3)

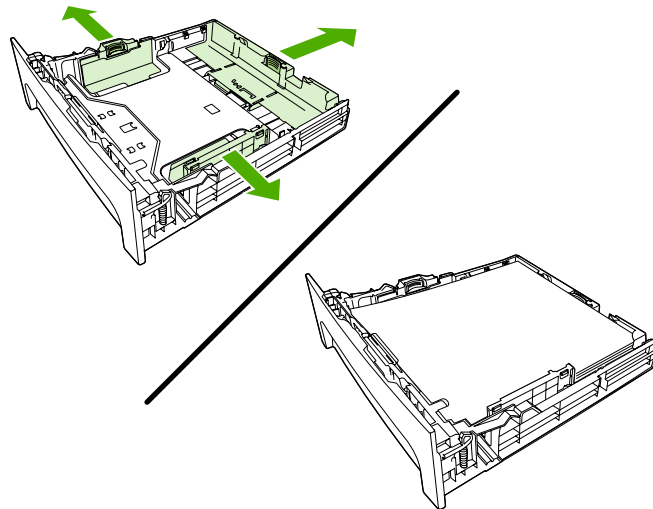
2. Adjust the media guides to the size of the media.



3. Place the media in the tray.

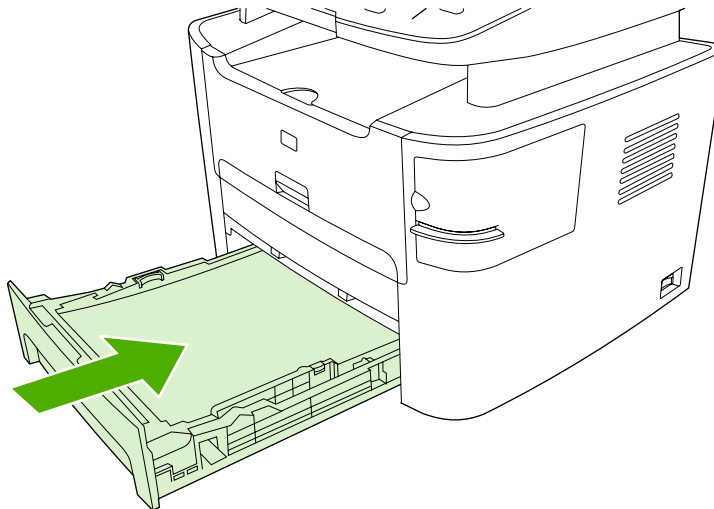


**NOTE** Do not fan the media before placing it in the tray.



**Figure 2-11** Load tray 2 or tray 3 (2 of 3)

4. Slide tray 2 or tray 3 into the all-in-one.



**Figure 2-12** Load tray 2 or tray 3 (3 of 3)

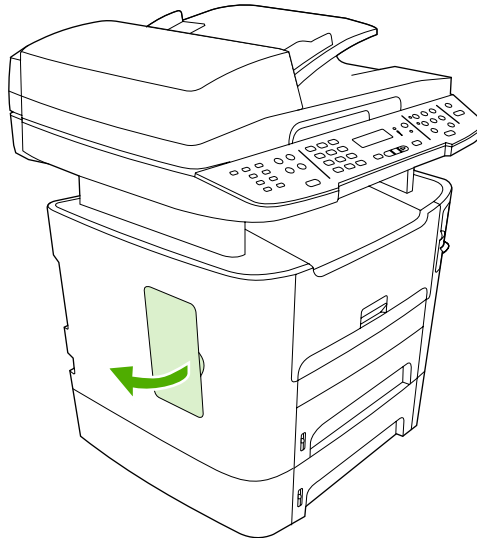
# Installing accessories

## Removing and replacing a DIMM

1. Open the DIMM door.

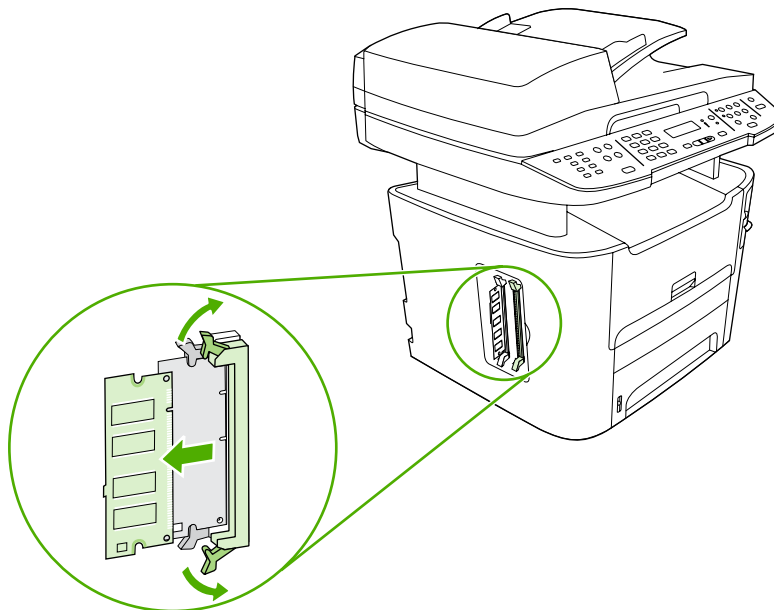


**NOTE** The DIMM door is not hinged. Open the DIMM door and set it next to the all-in-one.



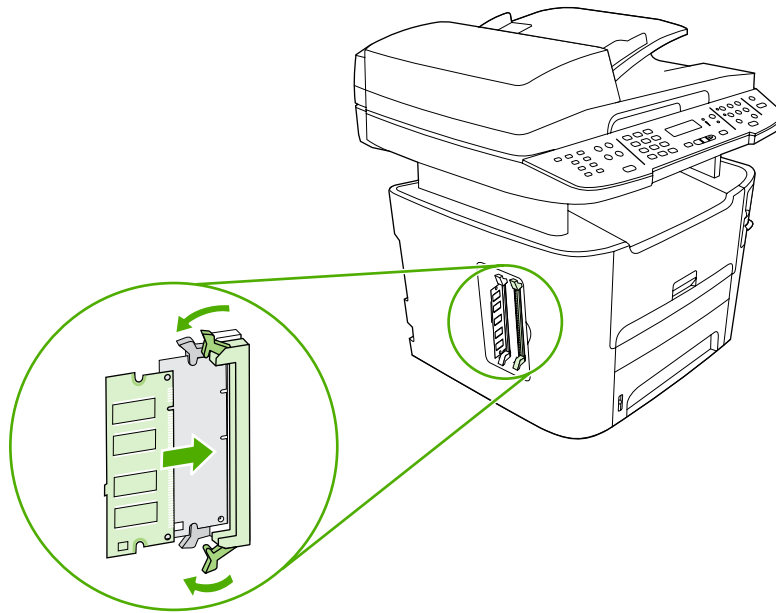
**Figure 2-13** Removing and replacing a DIMM (1 of 4)

2. Release the locks on each side of the DIMM and pull the DIMM out of the all-in-one.



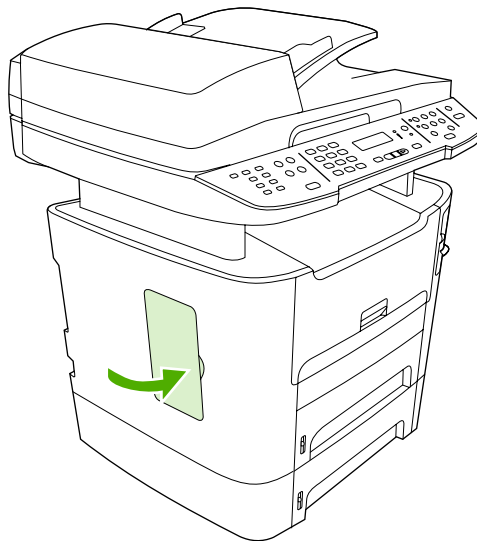
**Figure 2-14** Removing and replacing a DIMM (2 of 4)

3. Install a replacement DIMM. Make sure that the locks on each side of the DIMM are in the locked position



**Figure 2-15** Removing and replacing a DIMM (3 of 4)

4. Replace and close the DIMM door.



**Figure 2-16** Removing and replacing a DIMM (4 of 4)



# 3 Maintenance

- [Managing supplies](#)
- [Cleaning the all-in-one](#)
- [Managing the all-in-one](#)
- [Using the HP ToolboxFX](#)
- [Using Macintosh Configure Device \(Mac OS X V10.3 and Mac OS X V10.4\)](#)
- [Understanding the Embedded Web server](#)

# Managing supplies

This section describes replacing the print cartridge, staple cassette, tray 2 pickup roller, and the tray 2 and optional tray 3 separation pad. For information about replacing the ADF pickup-roller assembly, see [Replacing the ADF pickup-roller assembly on page 124](#).

Inspect any parts that wear when servicing the all-in-one. Replace them as needed, based on failure or wear rather than usage.

The following table lists approximate schedules for replacing consumables.

## Life expectancies of supplies and the all-in-one

Item	Capacity
HP LaserJet 3390/3392	10,000 pages-per-month 50,000 pages lifetime
Print cartridge	2,500 pages <sup>1</sup> (standard) 6,000 pages <sup>1</sup> (high-capacity)
Staple cassette	1,500 staples

<sup>1</sup> The estimated print-cartridge life is based on using letter- or A4-sized media with an average of 5% toner coverage and a medium density-setting. Print cartridge life can be extended by using draft-mode settings to conserve toner.

## Ordering supplies



**NOTE** To locate part numbers for supplies, see [Accessories and ordering information on page 259](#).

### Ordering supplies

To order supplies, go to one of the following Web sites.

- North America: [www.hp.com/go/orders/supplies-na](http://www.hp.com/go/orders/supplies-na)
- Europe and Middle East: [www.hp.com/go/orders/supplies-emea](http://www.hp.com/go/orders/supplies-emea)
- Asia Pacific countries/regions: [www.hp.com/go/orders/supplies-ap](http://www.hp.com/go/orders/supplies-ap)
- Latin America: [www.hp.com/go/orders/supplies-la](http://www.hp.com/go/orders/supplies-la)

## Storing print cartridges

Follow these guidelines for storing print cartridges:

- Do not remove the print cartridge from its package until you are ready to use it.



---

**CAUTION** To prevent damage, do not expose the print cartridge to light for more than a few minutes.

---

- Make sure that you store print cartridges in accordance with the environmental operating and storage specifications in this manual. See [Environmental specifications on page 328](#).
- Store the print cartridges in a horizontal position.
- Store the print cartridges in a dark, dry location away from heat and magnetic sources.

## Replacing and recycling supplies

Visit [www.hp.com/go/environment](http://www.hp.com/go/environment) or [www.hp.com/hpinf/community/environment/productinfo/saftey](http://www.hp.com/hpinf/community/environment/productinfo/saftey) for information about the following environmental topics:

- Product environmental profile sheet for this and many related HP products
- Hewlett Packard's commitment to the environment
- Hewlett-Packard's environmental management system
- Hewlett Packard's end-of-life product return and recycling program
- Material safety data sheets (MSDS), which are also available at: [www.hp.com/go/msds](http://www.hp.com/go/msds), contain information about supplies that contain chemical substances; such as toner.

It's easy to return and recycle your empty HP LaserJet print cartridges—free of charge—with HP Planet Partners. HP is committed to providing inventive, high-quality products and services that are environmentally sound, from product design and manufacturing to distribution, operation, and recycling processes. We ensure that returned HP LaserJet print cartridges are recycled properly, processing them to recover valuable plastics and metals for new products and diverting millions of tons of waste from landfills. Because this cartridge is being recycled and used in new materials, it will not be returned to you. Empty HP LaserJet print cartridges are recycled responsibly when you participate in the HP Planet Partners program. Thank you for being environmentally responsible!

In many countries/regions, this product's printing supplies (for example, the print cartridge, drum) can be returned to HP through the HP Printing Supplies Returns and Recycling Program. An easy-to-use and free take back program is available in more than 35 countries/regions. Multi-lingual program information and instructions are included in every new HP LaserJet print cartridge and supplies package.

### HP Printing Supplies Returns and Recycling Program Information

Since 1992, HP has offered HP LaserJet supplies return and recycling free of charge. In 2004, HP Planet Partners for LaserJet Supplies was available in 85% of the world market where HP LaserJet supplies are sold. Postage-paid and pre-addressed labels are included within the instruction guide in most HP LaserJet print cartridge boxes. Labels and bulk boxes are also available through the Web site [www.hp.com/go/recycle](http://www.hp.com/go/recycle).

Use the label to return empty, original HP LaserJet print cartridges only. Please do not use this label for non-HP cartridges, refilled or remanufactured cartridges, or warranty returns. Printing supplies or other objects that are inadvertently sent to the HP Planet Partners program cannot be returned.

More than 10 million HP LaserJet print cartridges were recycled globally in 2004 through the HP Planet Partners supplies recycling program. This record number represents 26 million pounds of print cartridge materials diverted from landfills. Worldwide, in 2004, HP recycled an average of 59% of the print cartridge by weight consisting primarily of plastic and metals. Plastics and metals are used to make new products such as HP products, plastic trays and spools. The remaining materials are disposed of in an environmentally responsible manner.

### **U.S. returns**

For a more environmentally responsible return of used cartridges and supplies, HP encourages the use of bulk returns. Simply bundle two or more cartridges together and use the single, pre-paid, pre-addressed UPS label that is supplied in the package. For more information in the U.S., call 1-800-340-2445 or visit the HP Web site at [www.hp.com/go/recycle](http://www.hp.com/go/recycle).

### **Non-U.S. returns**

Non-U.S. customers should visit the [www.hp.com/go/recycle](http://www.hp.com/go/recycle) Web site for further information regarding availability of the HP Printing Supplies Returns and Recycling Program.

### **Paper**

This all-in-one is capable of using recycled papers, when the paper meets the guidelines outlined in the *HP LaserJet Printer Family Print Media Guide*, which you can view on the Web at [www.hp.com/support/ljpaperguide](http://www.hp.com/support/ljpaperguide). This product is suitable for the use of recycled paper according to EN12281:2002.

### **Material restrictions**

This HP product contains a battery and contains mercury in the fluorescent lamp or scanner that might require special handling at end-of-life.

Type:	Lithium carbon monofluoride (solid button cell)
Weight:	Approximately. 1 gram
Location:	On formatter PC board (one battery per all-in-one)
User removable:	No

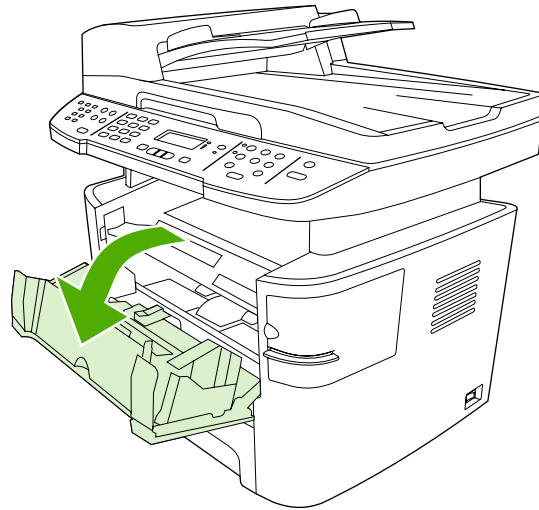


## Replacing the print cartridge



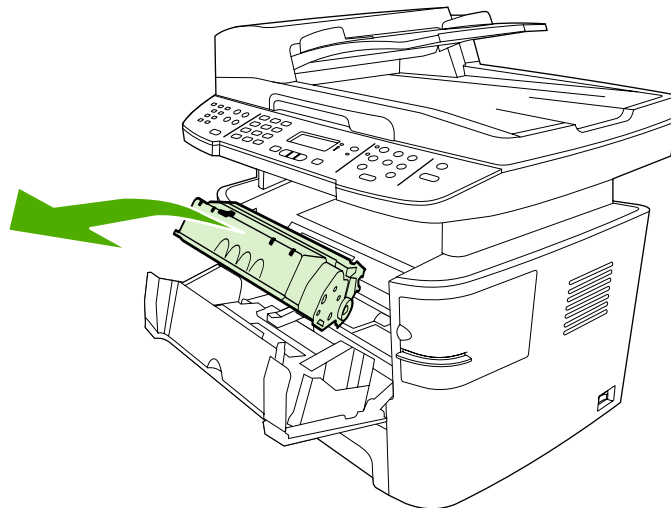
**CAUTION** If toner gets on your clothing, wipe it off with a dry cloth and wash the clothing in cold water. *Hot water sets toner into the fabric.*

1. Turn off the all-in-one, and open the print-cartridge door.



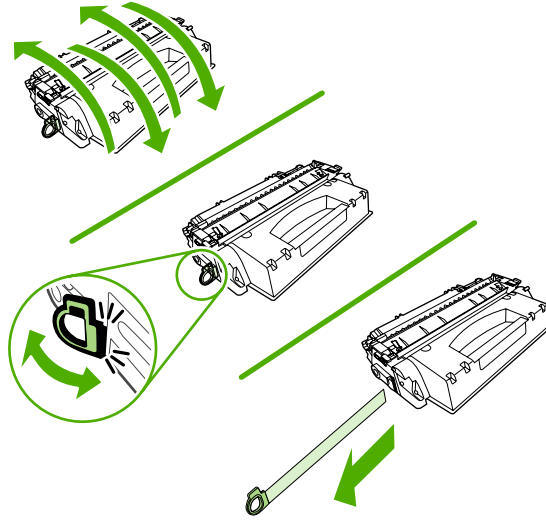
**Figure 3-1** Replacing the print cartridge (1 of 5)

2. Grasp the handle on the print cartridge and then pull the cartridge straight out to remove it. See the recycling information inside the replacement-print-cartridge box.



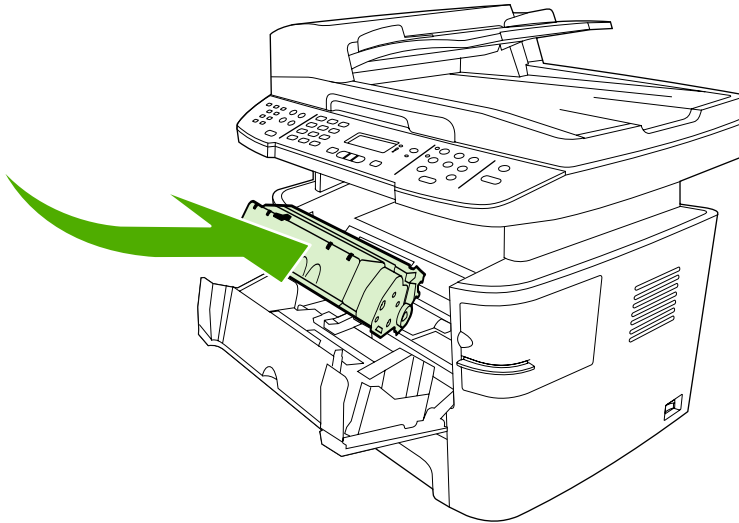
**Figure 3-2** Replacing the print cartridge (2 of 5)

3. Remove the replacement print cartridge from its packaging. Bend the plastic tab at the end of the cartridge, and then pull the tab until all of the sealing tape is removed from the cartridge.



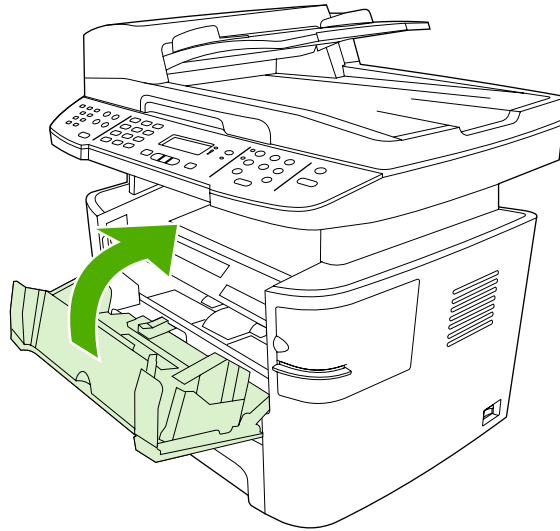
**Figure 3-3** Replacing the print cartridge (3 of 5)

4. Insert the print cartridge into the all-in-one until it is *firmly* in place.



**Figure 3-4** Replacing the print cartridge (4 of 5)

5. Close the print-cartridge door, and turn on the all-in-one.



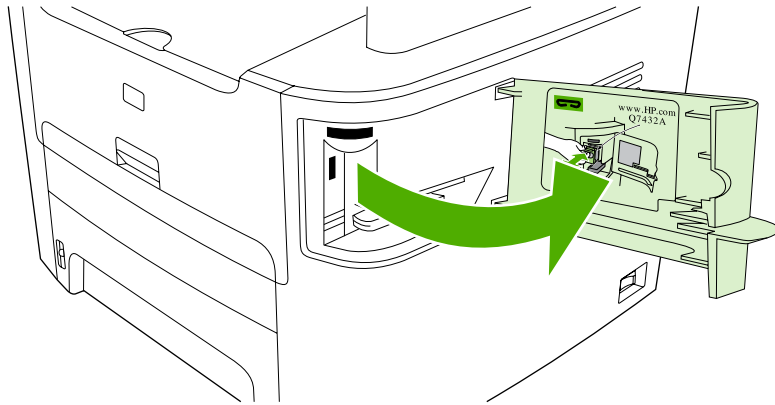
**Figure 3-5** Replacing the print cartridge (5 of 5)

## Replacing the staple cassette

1. Open the convenience stapler door.

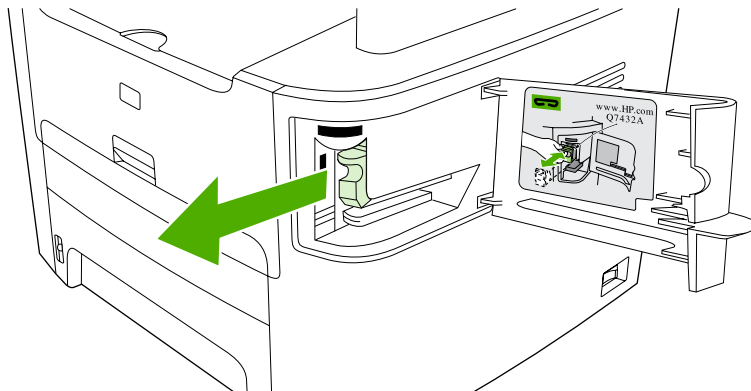


**NOTE** Opening the convenience-stapler door disables the convenience stapler.



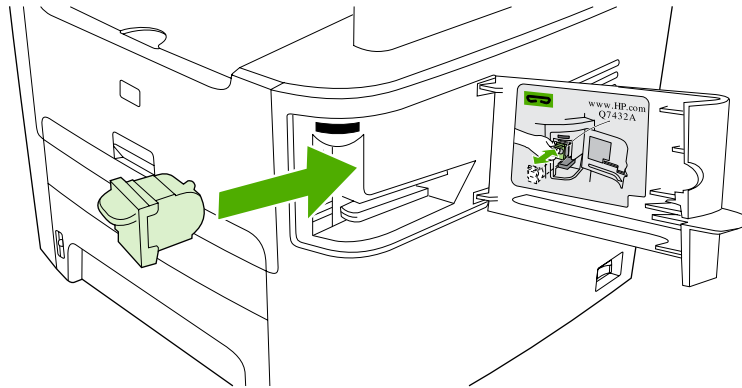
**Figure 3-6** Install the staple cassette (1 of 4)

2. Remove the staple cassette from the all-in-one.



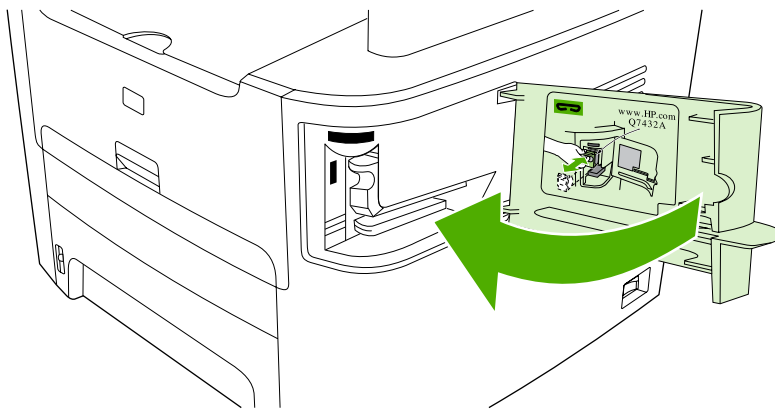
**Figure 3-7** Install the staple cassette (2 of 4)

3. Insert one 1,500-staple cassette into the opening inside the convenience-stapler door.



**Figure 3-8** Install the staple cassette (3 of 4)

4. Close the convenience-stapler door.



**Figure 3-9** Install the staple cassette (4 of 4)

## Replacing the tray 2 pickup roller

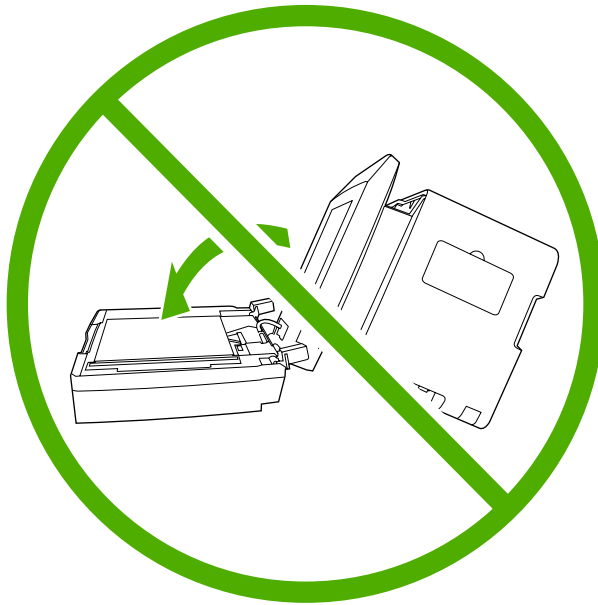


**CAUTION** Failure to correctly complete this procedure might cause damage to the all-in-one.

1. Perform the following tasks before beginning this procedure:
  - Turn off the all-in-one and unplug the power cord from the electrical outlet.
  - Open the print-cartridge door and remove the print cartridge.
  - Remove the tray 2 cassette.
  - Lift the all-in-one off of tray 3, if that tray is installed.
2. Place the all-in-one on its back on the work surface, with the front facing up.



**WARNING!** When you move the all-in-one into this position, the scanner cover can open suddenly and be damaged. You *must* support the scanner cover to keep it from opening.

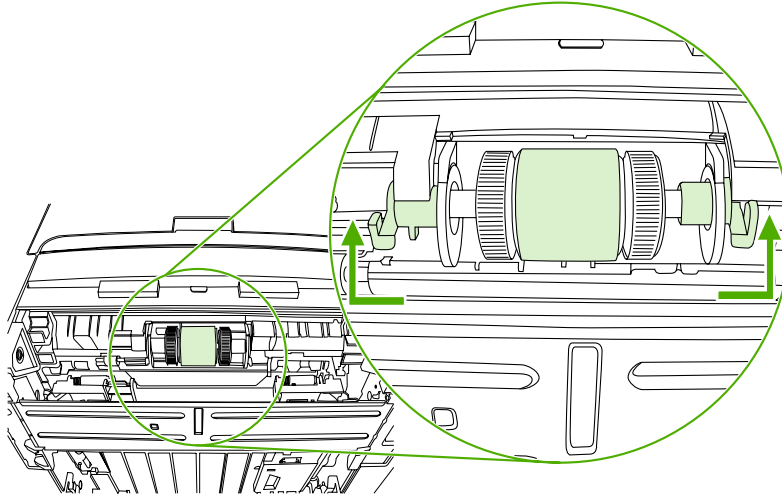


**Figure 3-10** Replace the tray 2 pickup roller (1 of 7)

3. Reach into the area that you exposed when you removed tray 2. Pull the white tabs outward, and rotate the roller-retaining collars up.

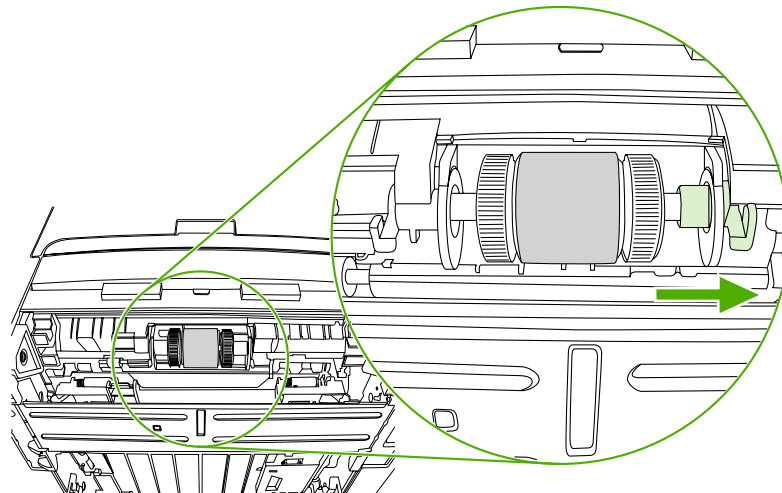


**Hint** Push down on the green tab to release and lower the duplex assembly to expose more of the roller.



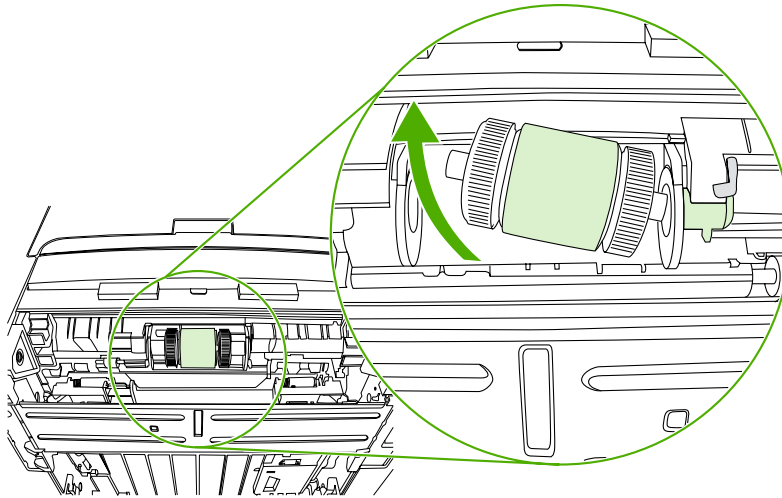
**Figure 3-11** Replace the tray 2 pickup roller (2 of 7)

4. With the tab on the collar aligned with the slot in the plastic bracket, slide the collar to the right, and leave the collar in this position for the remainder of this procedure.



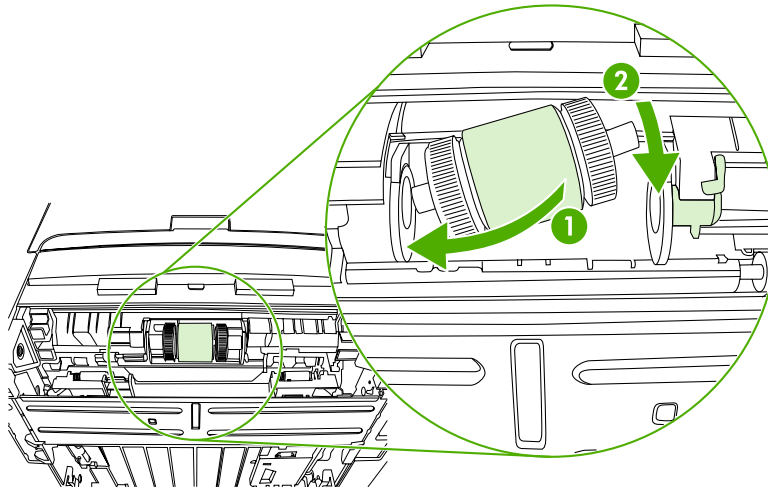
**Figure 3-12** Replace the tray 2 pickup roller (3 of 7)

5. Remove the pickup roller.



**Figure 3-13** Replace the tray 2 pickup roller (4 of 7)

6. Insert the left side of the replacement-pickup-roller shaft into the left slot (callout 1), and insert the right side shaft (the side with the notch) into the right slot (callout 2).

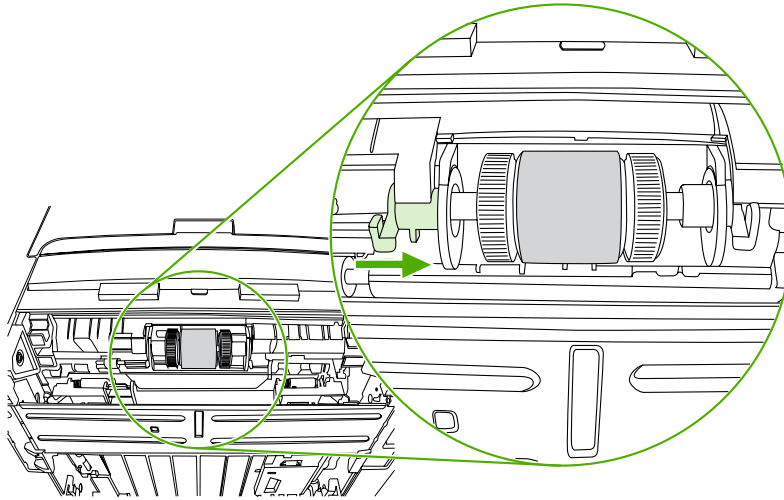


**Figure 3-14** Replace the tray 2 pickup roller (5 of 7)

7. Rotate the roller shaft until the notch engages with the drive shaft and clicks into place.

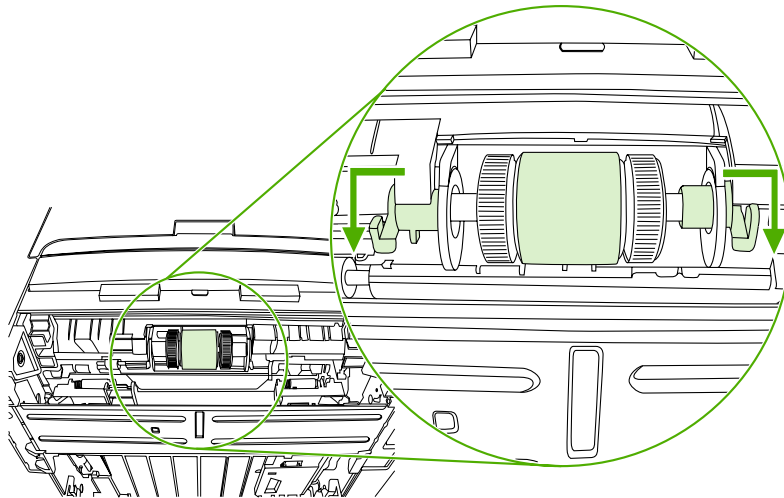


8. Place the left retaining collar over the end of the roller shaft, align the tab on the collar with the slot in the plastic bracket, and then slide the collar toward the pickup roller.



**Figure 3-15** Replace the tray 2 pickup roller (6 of 7)

9. With the tab on the right collar aligned with the slot on the plastic bracket, slide the collar towards the pickup roller. Rotate the right and left retaining collars down into the locked position.

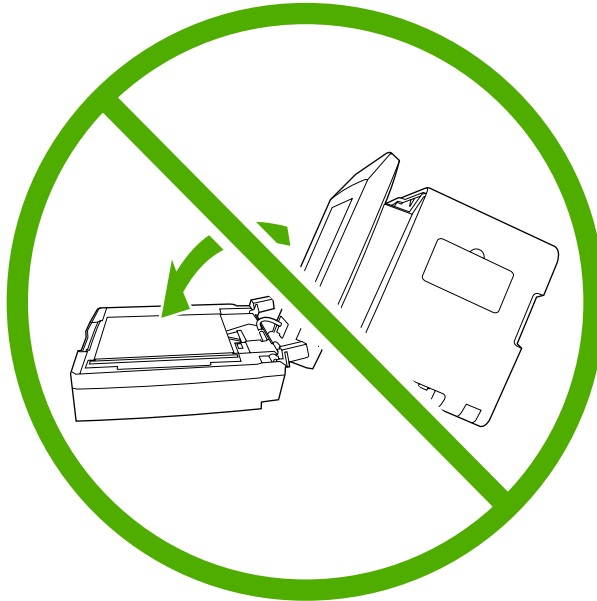


**Figure 3-16** Replace the tray 2 pickup roller (7 of 7)

10. Push up on the duplex assembly until it locks into place. Place the all-in-one upright on the work surface with the top of the all-in-one facing up.



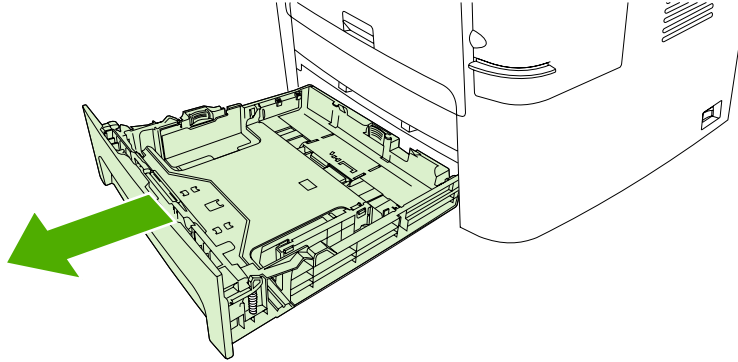
**WARNING!** When you move the all-in-one into this position, the scanner cover can open suddenly and be damaged. You *must* support the scanner cover to keep it from opening.



- 
11. Perform the following tasks after completing this procedure.
- Replace the all-in-one on tray 3, if that tray was installed.
  - Replace the tray 2 cassette.
  - Open the print-cartridge door and install the print cartridge.
  - Plug the power cord into an electrical outlet, and turn on the all-in-one.

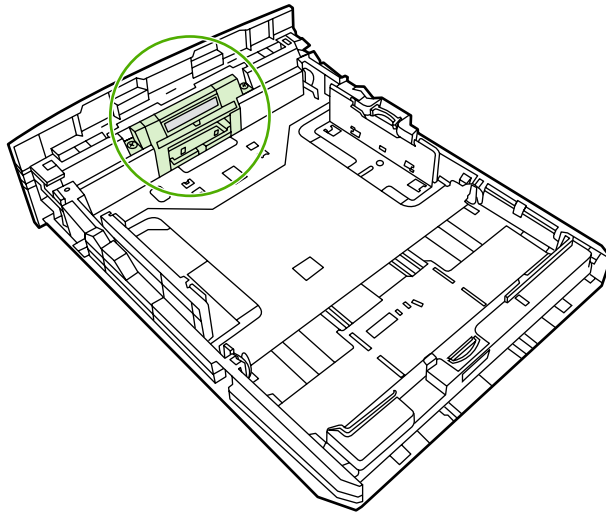
## Replacing the tray 2 and optional tray 3 separation pad

1. Remove tray 2 or tray 3.



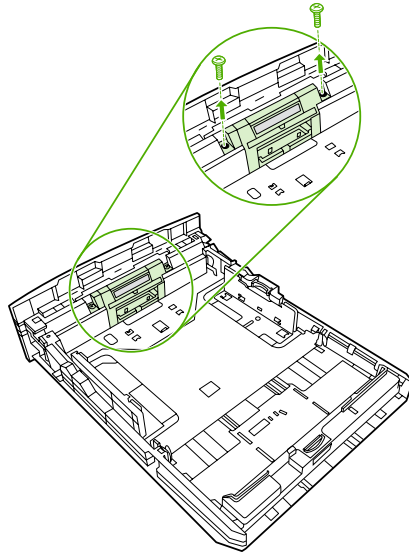
**Figure 3-17** Replace the tray 2 or tray 3 separation pad (1 of 6)

2. Locate the separation pad.



**Figure 3-18** Replace the tray 2 or tray 3 separation pad (2 of 6)

3. Remove two screws.

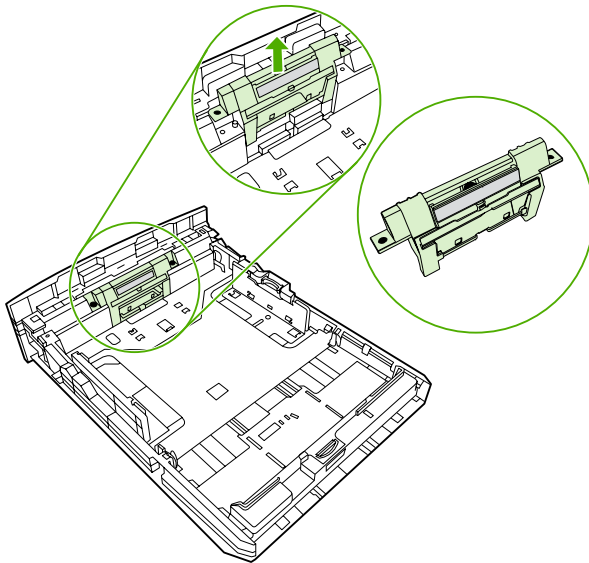


**Figure 3-19** Replace the tray 2 or tray 3 separation pad (3 of 6)

4. Remove the separation pad.

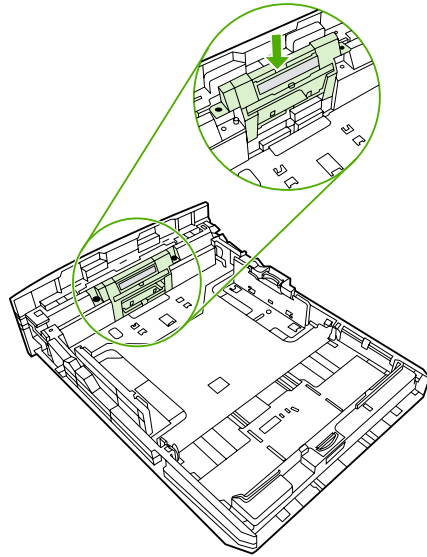


**CAUTION** Before you remove the separation pad, take note of how it is positioned in the tray.



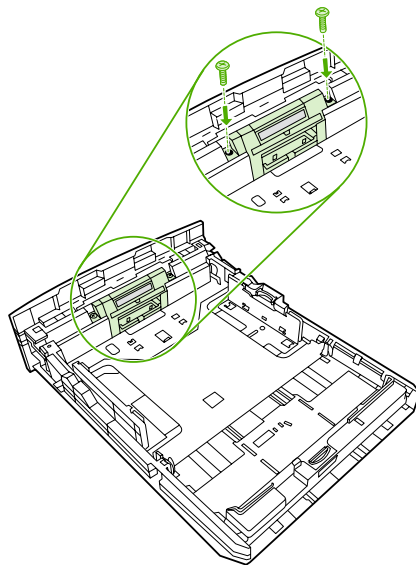
**Figure 3-20** Replace the tray 2 or tray 3 separation pad (4 of 6)

5. Install the replacement separation pad.



**Figure 3-21** Replace the tray 2 or tray 3 separation pad (5 of 6)

6. Replace the two screws, and return the tray to the all-in-one.



**Figure 3-22** Replace the tray 2 or tray 3 separation pad (6 of 6)

## HP policy on non-HP supplies

Hewlett-Packard Company cannot recommend the use of non-HP supplies, either new or remanufactured. Because they are not HP products, HP cannot influence their design or control their quality. Service or repairs required as a result of using a non-HP supply will *not* be covered under the warranty.

When you insert a supply into the all-in-one, the all-in-one will inform you if the supply is not a genuine HP supply. If you insert a genuine HP supply that has reached the low state from another HP device, the all-in-one identifies the supply as non-HP. Simply return the supply to the original device to reactivate the HP features and functionality.

### Resetting the all-in-one for non-HP supplies

When you install a non-HP print cartridge, **Unauthorized** appears on the control-panel display. In order to print with this supply, you must press ✓ when you install this non-HP supply.



**CAUTION** The all-in-one will *not* stop printing when this type of supply is empty. Damage to the all-in-one could occur if the all-in-one prints with an empty non-HP print cartridge. See [Hewlett-Packard limited warranty statement on page 330](#) and [Print Cartridge Limited Warranty Statement on page 331](#).

## HP fraud hotline

Call the HP fraud hotline if the all-in-one or HP ToolboxFX indicates that the print cartridge is not an HP print cartridge and you think that it is genuine. HP will help determine if the product is genuine and take steps to resolve the problem.

Your print cartridge might not be a genuine HP product if you notice the following issues:

- You are experiencing a large number of problems with the print cartridge.
- The print cartridge does not look like it usually does (for example, the pull tab or the box is different).

*In the United States*, call toll-free: 1-877-219-3183.

*Outside the United States*, you can call collect. Dial the operator and ask to place a collect call to this telephone number: 1-770-263-4745. If you do not speak English, a representative at the HP fraud hotline who speaks your language will assist you. Or, if someone who speaks your language is not available, a language line interpreter will connect approximately one minute after the beginning of the call. The language line interpreter is a service that will translate between you and the representative for the HP fraud hotline.

# Cleaning the all-in-one

## To clean the exterior

Use a soft, damp, lint-free cloth to wipe dust, smudges, and stains off of the exterior of the all-in-one.

## Cleaning the flatbed scanner glass

Dirty glass, from fingerprints, smudges, hair, and so on, slows down performance and affects the accuracy of special features such as fit-to-page and copy.

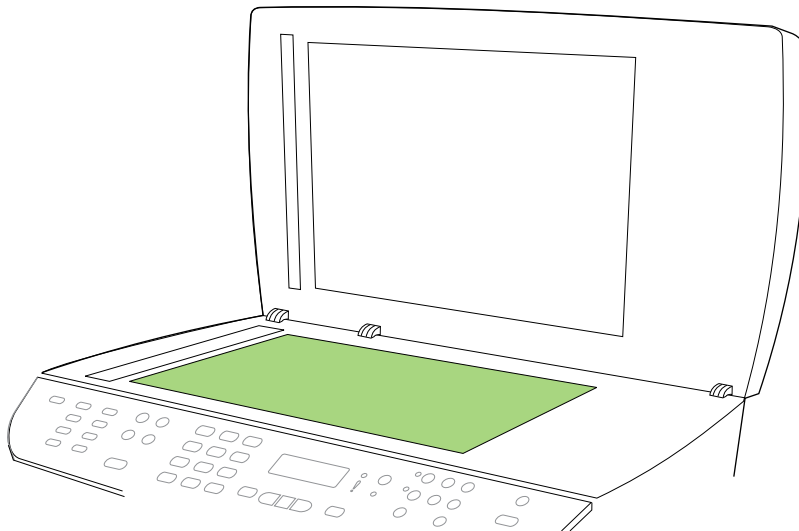


**NOTE** If streaks or other defects appear only on copies produced from the ADF, clean the ADF scanner glass (step 3). It is not necessary to clean the flatbed scanner glass.

1. Turn off the all-in-one, unplug the power cord from the electrical outlet, and raise the scanner cover.
2. Clean the glass by using a soft cloth or sponge that has been moistened with nonabrasive glass cleaner.

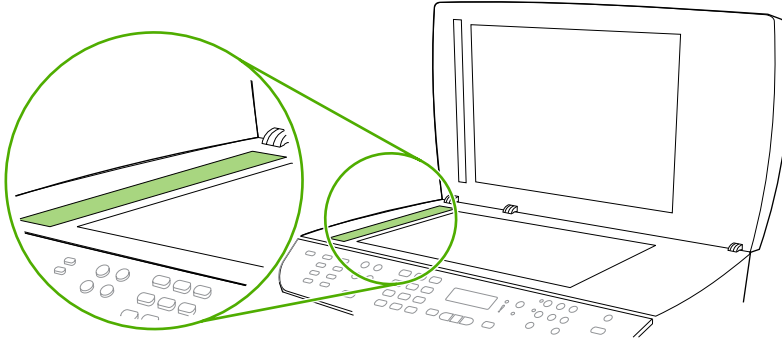


**CAUTION** Do not use abrasives, acetone, benzene, ammonia, ethyl alcohol, or carbon tetrachloride on any part of the all-in-one; these can damage the all-in-one. Do not place liquids directly on the glass. They might seep under it and damage the all-in-one.



**Figure 3-23** Cleaning the scanner glass (1 of 2)

3. Clean the ADF scanner glass by using a soft cloth or sponge that has been moistened with nonabrasive glass cleaner.

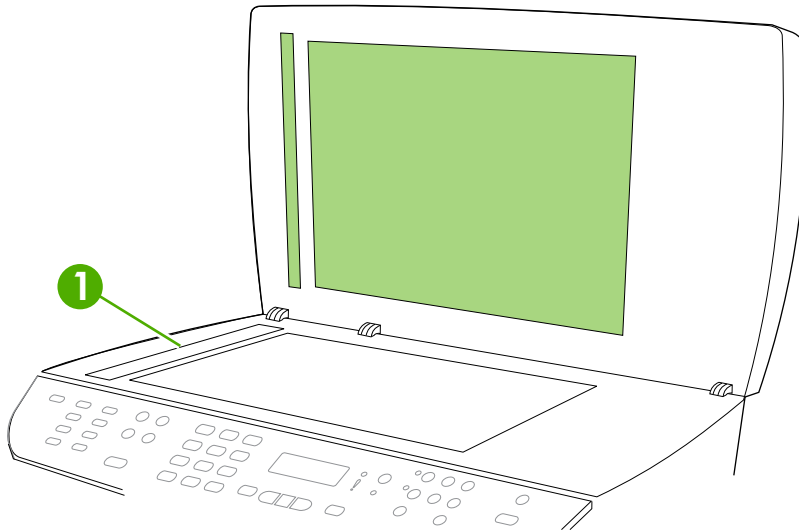


**Figure 3-24** Cleaning the scanner glass (2 of 2)



## Cleaning the scanner-cover backing

1. Turn off the all-in-one, unplug the power cord from the electrical outlet, and raise the scanner cover.
2. Clean the white scanner-cover backing by using a soft cloth or sponge that has been moistened with mild soap and warm water. Also, clean the ADF scanner glass (callout 1) next to the flatbed scanner glass.



**Figure 3-25** Cleaning the scanner-cover backing

3. Wash the backing gently to loosen debris; do not scrub the backing.
4. Dry the backing by using a chamois or soft cloth.

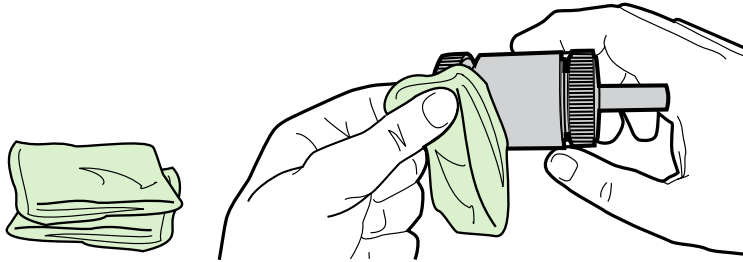


**CAUTION** Do not use paper-based wipes because they might scratch the backing.

5. If this does not clean the backing well enough, repeat the previous steps and use isopropyl alcohol to dampen the cloth or sponge, and then wipe the backing thoroughly with a damp cloth to remove any residual alcohol.

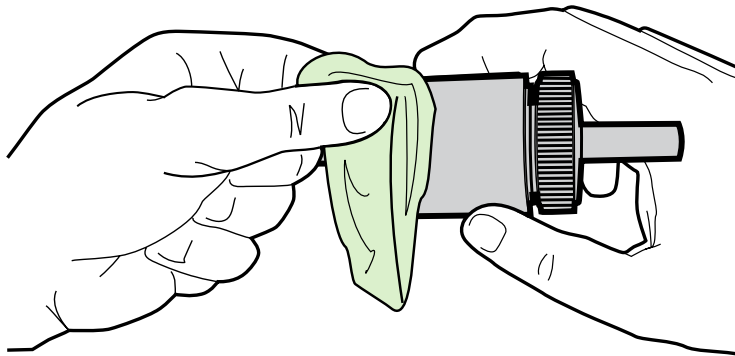
## Cleaning the tray 2 pickup roller

1. Perform the removal steps from [Replacing the tray 2 pickup roller on page 44](#).
2. Gently wipe the roller with a lint-free cloth moistened with water.



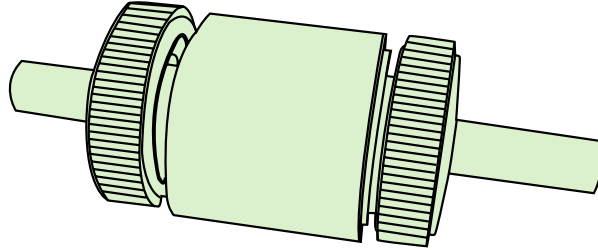
**Figure 3-26** Cleaning the tray 2 pickup roller (1 of 6)

3. Use a dry lint-free cloth to wipe the roller and remove loosened dirt.



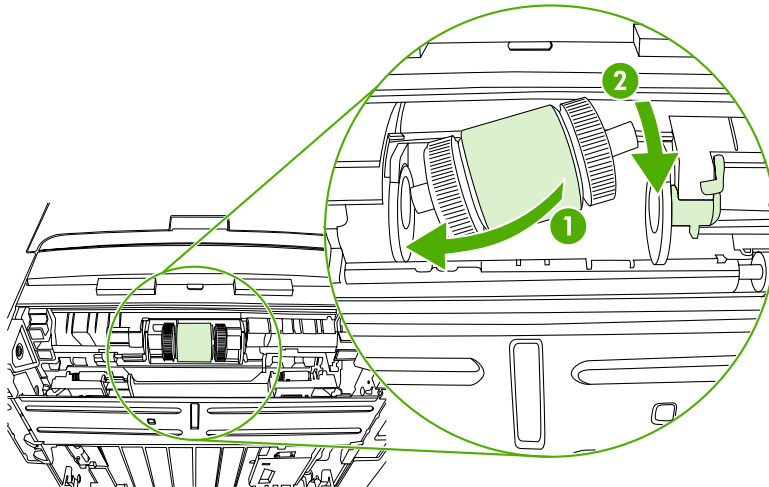
**Figure 3-27** Cleaning the tray 2 pickup roller (2 of 6)

4. Allow the roller to dry completely before you reinstall it.



**Figure 3-28** Cleaning the tray 2 pickup roller (3 of 6)

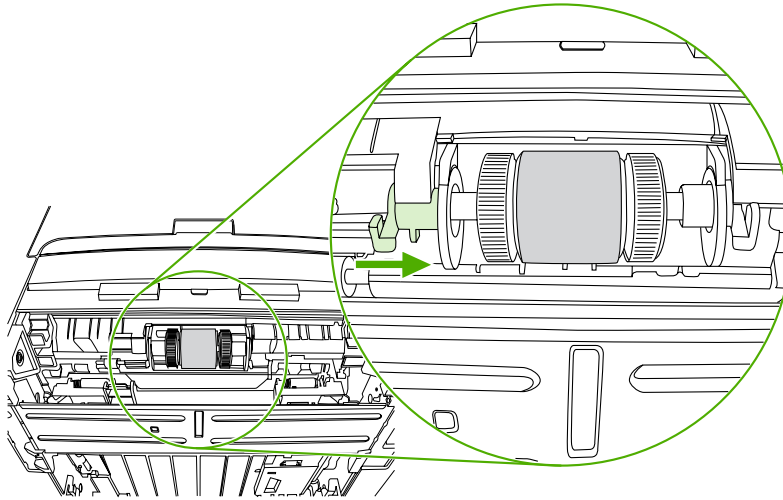
5. Insert the left side of the pickup-roller shaft into the left slot (callout 1), and insert the right-side shaft (the side with the notch) into the right slot (callout 2).



**Figure 3-29** Cleaning the tray 2 pickup roller (4 of 6)

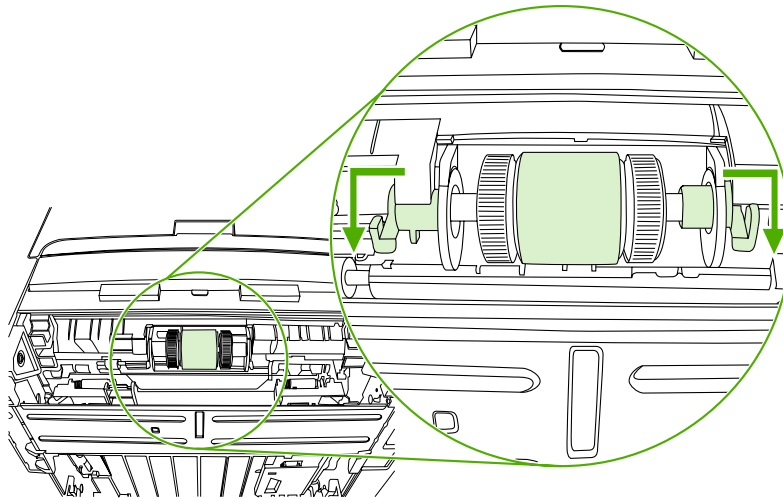
6. Rotate the roller shaft until the notch engages with the drive shaft and clicks into place.

7. Place the left retaining collar over the end of the roller shaft, align the tab on the collar with the slot in the plastic bracket, and then slide the collar toward the pickup roller.



**Figure 3-30** Cleaning the tray 2 pickup roller (5 of 6)

8. With the tab on the right collar aligned with the slot on the plastic bracket, slide the collar towards the pickup roller. Rotate the right and left retaining collars down into the locked position.

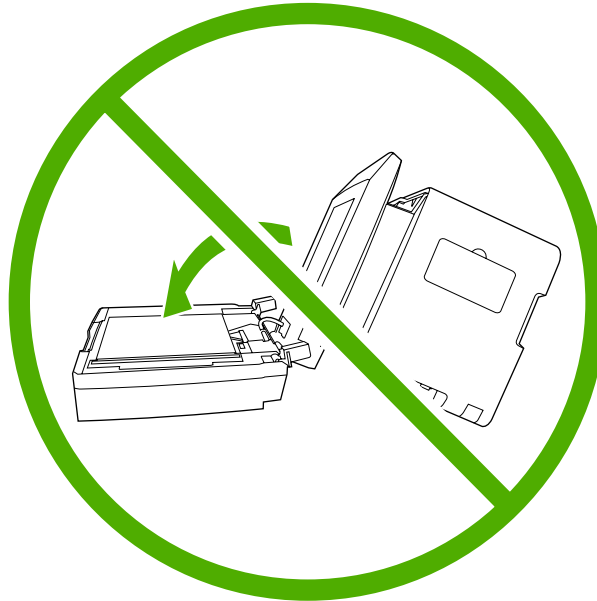


**Figure 3-31** Cleaning the tray 2 pickup roller (6 of 6)

9. Push up on the duplex assembly until it locks into place, and place the all-in-one upright on the work surface with the top of the all-in-one facing up.



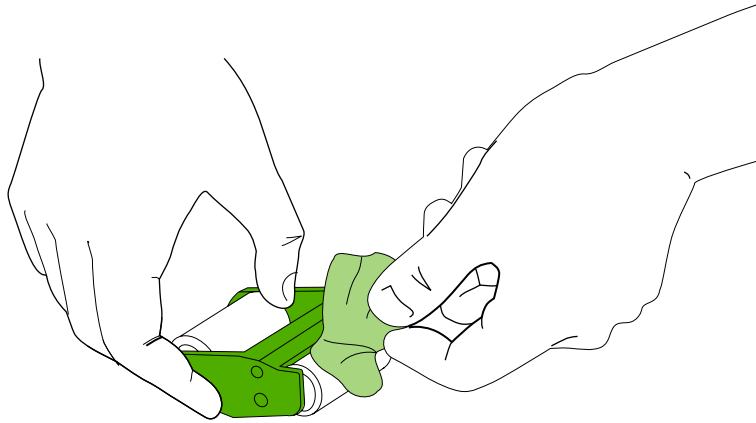
**WARNING!** When you move the all-in-one into this position, the scanner cover can open suddenly and be damaged. You *must* support the scanner cover to keep it from opening.



- 
10. Perform the following tasks after completing this procedure.
- Replace the all-in-one on tray 3, if that tray was installed.
  - Replace the tray 2 cassette.
  - Open the print-cartridge door and install the print cartridge.
  - Plug the power cord into an electrical outlet, and turn on the all-in-one.

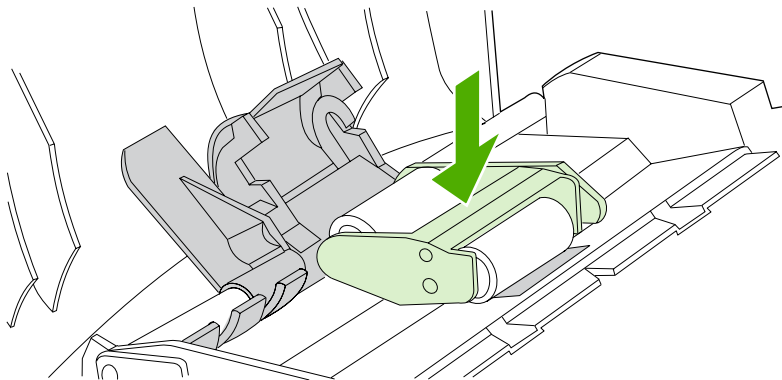
## Cleaning the ADF pickup-roller assembly

1. Perform the removal steps from [Replacing the ADF pickup-roller assembly on page 124](#).
2. Wipe the assembly with a soft cloth.



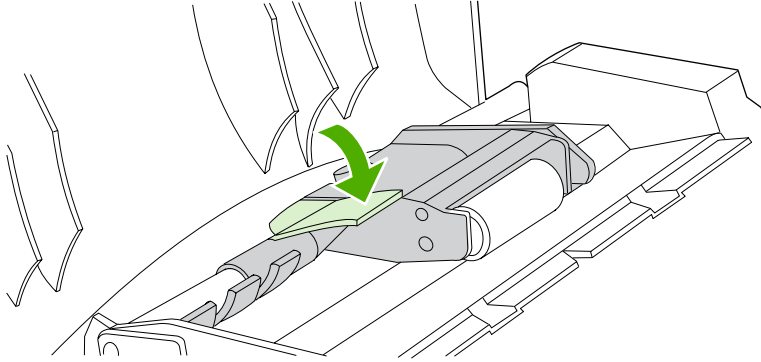
**Figure 3-32** Cleaning the ADF pickup-roller assembly (1 of 7)

3. Return the assembly to the same place in the ADF. The largest roller goes in back, and the gear side is away from you.



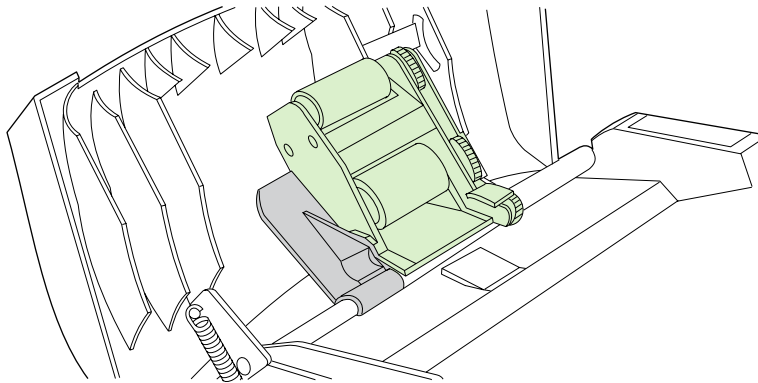
**Figure 3-33** Cleaning the ADF pickup-roller assembly (2 of 7)

4. Lower the green lever until the flat green part fits between the rollers. Press down on the green lever until you hear a snap.



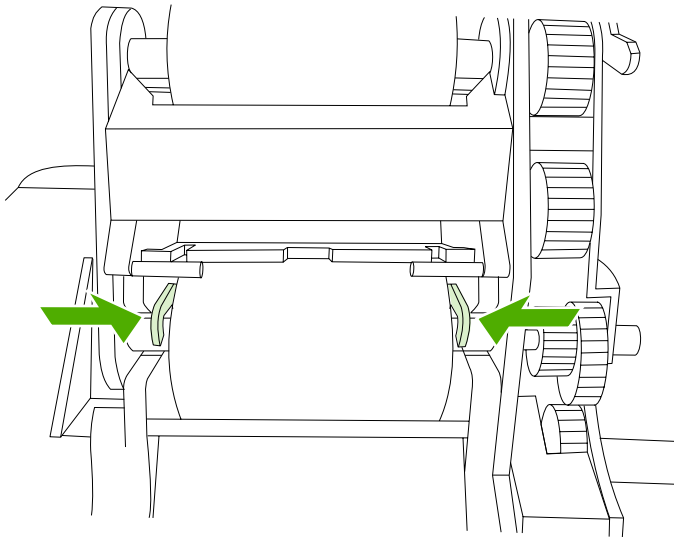
**Figure 3-34** Cleaning the ADF pickup-roller assembly (3 of 7)

5. To check for correct installation, lift the green lever until it remains open. The pickup-roller assembly should be secured to the lever and should not fall out.



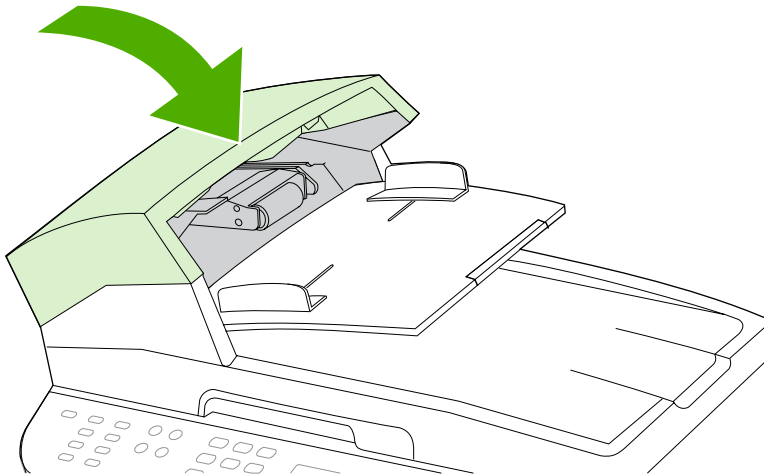
**Figure 3-35** Cleaning the ADF pickup-roller assembly (4 of 7)

6. Make sure that both sides of the assembly are secured with the green hooks.



**Figure 3-36** Cleaning the ADF pickup-roller assembly (5 of 7)

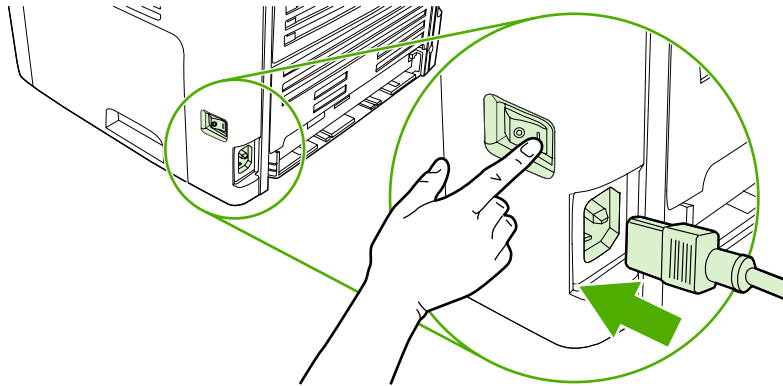
7. Lower the green lever and the roller assembly and close the ADF cover.



**Figure 3-37** Cleaning the ADF pickup-roller assembly (6 of 7)



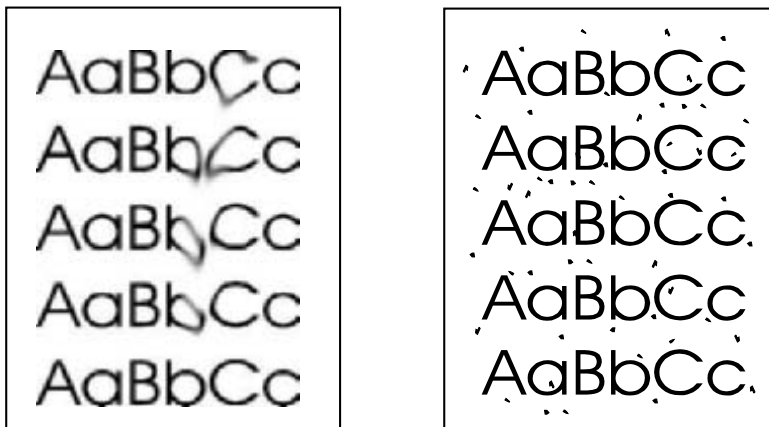
8. Plug in the all-in-one, and then turn it on.



**Figure 3-38** Cleaning the ADF pickup-roller assembly (7 of 7)

## Cleaning the print path

During the printing process, paper, toner, and dust particles can accumulate inside the all-in-one. Over time, this buildup can cause print-quality problems such as toner specks or smearing. The all-in-one has a cleaning mode that can correct and prevent these types of problems.



**Figure 3-39** Cleaning the print path

### Cleaning the print path by using HP ToolboxFX

Use HP ToolboxFX to clean the print path. This is the recommended cleaning method. If you do not have access to HP ToolboxFX, use the method in [Cleaning the print path by using the all-in-one control panel on page 64](#).



---

**NOTE** Not all operating systems support the HP ToolboxFX utility program.

---

1. Make sure that the all-in-one is turned on and in the **Ready** state.
2. Open the HP ToolboxFX.
3. On the **Troubleshooting** tab, click **Maintenance**, click **Cleaning Page**, and then click **Print**. A page with a pattern prints from the all-in-one.
4. At the all-in-one, remove any print media that might be in tray 1 (the priority input slot).
5. Remove the page that printed and load it face-down into tray 1.
6. At the computer, click **Clean**.

#### **Cleaning the print path by using the all-in-one control panel**

1. Press **Menu**.
2. Use the **<** or the **>** button to find the **Service** menu.
3. Press **✓**, and then use the **<** or the **>** button to find **Cleaning Mode**.
4. Press **✓**.
5. Load plain letter or A4 paper and begin the cleaning process. The page feeds through the all-in-one slowly. Discard the page when the process is completed.

# Managing the all-in-one

## Information pages

Information pages reside within the all-in-one memory. These pages help to diagnose and solve problems with the all-in-one.



---

**NOTE** If the all-in-one language was not correctly set during installation, you can set the language manually so the information pages print in one of the supported languages. Change the language by using HP ToolboxFX.

---

### To print the demo page

1. Press **Menu**.
2. Use the < or > button to find **Reports**, and then press ✓.
3. Use the < or > button to find **Demo page**, and then press ✓.



---

**NOTE** You can also print the demo page by using the HP ToolboxFX.

---

### To print the usage page

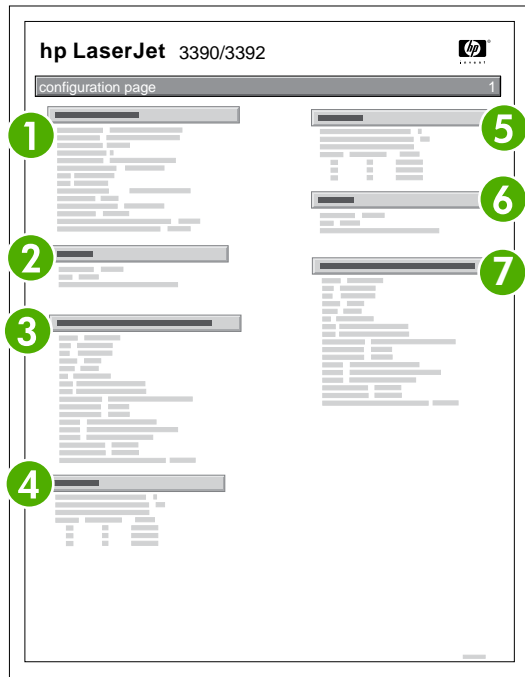
1. Press **Menu**.
2. Use the < or > button to find **Reports**, and then press ✓.
3. Use the < or > button to find **Usage page**, and then press ✓.

### To print the configuration page

An example of a configuration page follows this procedure.

1. Press **Menu**.
2. Use the < or > button to find **Reports**, and then press ✓.

- Use the < or > button to find **Config report**, and then press ✓.



1	<b>Product Information.</b> This section contains basic information about the all-in-one, such as the all-in-one name and serial number.
2	<b>Memory.</b> This section lists memory-related information such as the total memory that is installed.
3	<b>Paper Settings.</b> This section lists information about the media type for each tray and about the type settings for all of the media that the all-in-one supports
4	<b>Copy Settings.</b> This section lists the all-in-one default copy settings.
5	<b>Product Settings.</b> This section lists information that is gathered during software installation, including the language and country/region name.
6	<b>Installed personalities and Options.</b> This section contains information about optional items that might be installed, such as a DIMM.
7	<b>Print Settings.</b> This section contains information about all-in-one settings that are configured in the printer driver or the HP ToolboxFX.

A second page also prints. On this page, the **Fax Settings** section provides details about the all-in-one fax settings.

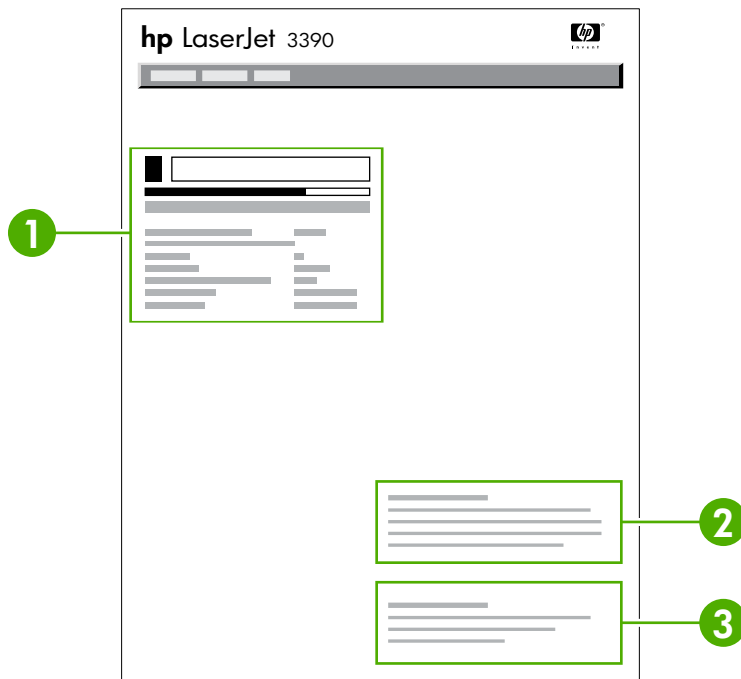
### To print the supplies status page

- Press **Menu**.
- Use the < or > button to find **Reports**, and then press ✓.

3. Use the < or > button to find **Supplies Status**, and then press ✓.



**NOTE** You can also print the supplies status page by using the HP ToolboxFX.



1	<b>Print-cartridge area.</b> This section contains information about HP print cartridges. This information includes the print-cartridge part number, whether the cartridge toner level is low, and the remaining life for the cartridge (shown as a graphic, and as the estimated number of pages remaining). This information might not be provided for non-HP supplies. In some cases, if a non-HP supply is installed, an alert message appears instead.
2	<b>Ordering Information.</b> This section contains basic information about how to order new HP supplies. See <a href="#">Ordering supplies on page 36</a>
3	<b>Recycling Information.</b> This section lists the all-in-one default copy settings. See <a href="#">Replacing and recycling supplies on page 37</a>

### To print the network configuration page

1. Press **Menu**.
2. Use the < or > button to find **Reports**, and then press ✓.
3. Use the < or > button to find **Network config.**, and then press ✓.

# Using the HP ToolboxFX

The HP ToolboxFX is a Web-based program that you can use to complete the following tasks:

- Check the all-in-one status.
- Configure the all-in-one settings.
- View troubleshooting information.
- View online documentation.

You can view the HP ToolboxFX when the all-in-one is directly connected to your computer or when it is connected to the network. You must perform a typical software installation to use HP ToolboxFX.



**NOTE** The HP ToolboxFX is not supported for Windows 98 SE or Macintosh operating systems. To use the HP ToolboxFX, the TCP/IP protocol must be installed on the computer.

**NOTE** You do not have to have Internet access to open and use the HP ToolboxFX.

## To view the HP ToolboxFX

Open the HP ToolboxFX in one of these ways:

- In the Windows system tray or on the desktop, double-click the HP ToolboxFX icon.
- On the Windows **Start** menu, click **Programs** (or **All Programs** in Windows XP), click **HP**, click **HP LaserJet 3390/3392 all-in-one**, and then click **HP ToolboxFX**.

The HP ToolboxFX software contains the following tabs, and the information about each tab is on the specified page:

- [Status on page 68](#)
- [Alerts on page 69](#)
- [Fax on page 70](#)
- [Help \(Documentation\) on page 73](#)
- [System settings on page 74](#)
- [Print settings on page 76](#)
- [Network settings on page 77](#)

## Status

The HP ToolboxFX **Status** tab contains links to the following main pages:

- **Device Status.** View all-in-one status information. This page indicates all-in-one conditions such as a jam or an empty tray. After you correct a problem with the all-in-one, click **Refresh Status** to update the all-in-one status.
- **Supplies Status.** View detailed supplies status such as the estimated percentage of toner remaining in the print cartridge and the number of pages that have been printed with the current print cartridge. This page also has links to order supplies and to find recycling information.

- **Device configuration.** View a detailed description of the current all-in-one configuration, including the amount of memory that is installed and whether optional trays are installed.
- **Network configuration.** View a detailed description of the current network configuration, including the IP address and network status.
- **Print Info Pages.** Print the Configuration page and various other information pages that are available for the all-in-one, such as the Supplies Status page and the Demo page.
- **Event Log.** View a history of all-in-one errors. The most recent error is at the top of the list.

## Event log

The Event log is a four-column table where the all-in-one events are logged for your reference. The log contains codes that correspond to the error messages that appears on the all-in-one control-panel display. The number in the Page Count column specifies the total number of pages that the all-in-one had printed when the error occurred. The Event log also contains a brief description of the error. For more information about error messages, see [Control-panel messages on page 207](#).

## Alerts

The HP ToolboxFX **Alerts** tab contains links to the following main pages:

- **Set up Status Alerts.** Set up the all-in-one to send pop-up alerts for certain events, such as low toner levels.
- **Set up E-mail Alerts.** Set up the all-in-one to send e-mail alert messages for certain events, such as low toner levels.

### Set up status alerts

Use HP ToolboxFX to set up the all-in-one so that it issues pop-up alerts when certain events occur. Events that trigger alerts include jams, low levels of toner in HP print cartridges, non-HP print cartridge in use, empty input trays, and specific error messages.

Select the pop-up format, the tray icon format, or both for the alerts. The pop-up alerts only appear when the all-in-one is printing from the computer on which you set up the alerts.



**NOTE** You must click **Apply** before changes take effect.

### Set up e-mail alerts

Use HP ToolboxFX to configure up to two e-mail addresses to receive alerts when certain events occur. You can specify different events for each e-mail address. Specify the information for the e-mail server that will send out the e-mail alert messages for the all-in-one.



**NOTE** You must click **Apply** before changes take effect.

## Fax

Use the HP ToolboxFX **Fax** tab to perform fax tasks from the computer. The **Fax** tab contains links to the following main pages:

- **Fax Tasks.** Perform such tasks as sending a fax or clearing the fax memory, or set the fax receive mode.
- **Fax Phone Book.** Add, edit, or delete entries in the all-in-one phone book.
- **Fax Send Log.** View all of the recent faxes that have been sent from the all-in-one.
- **Fax Receive log.** View all of the recent faxes that have been received by the all-in-one.
- **Fax Dat Properties.** Manage the space used to store faxes on a computer. These settings apply only if you have chosen to send or receive faxes remotely from the computer.

### Fax tasks

The following three options are available when receiving a fax:

- **Print the fax.** You can also select an option to have a message appear on a computer to notify about when the fax was printed.
- **Receive the fax on your computer.** You can also select an option to have a message appear on a computer to notify about when the fax arrives. If the fax machine is connected to multiple computers, only one computer can be designated to receive faxes.
- **Forward the fax to another fax machine.**

For more information about fax tasks, see [Fax on page 70](#).



---

**NOTE** You must click **Apply** before changes take effect.


---

### Fax phone book

Use the HP ToolboxFX Fax phone book to add and remove individuals or groups on a speed-dial list, import phone books from a variety of sources, and update and maintain a contact list.

- To add an individual contact to a speed-dial list:
  1. Select the check box next to the speed dial number that you want to specify.
  2. Type the contact name in the **Contact Name** window.
  3. Type the fax number in the **Fax number** window.
  4. Click **Add/Edit**.
- To add a group of contacts to a speed-dial list:
  1. Select the check box next to the speed-dial number that you want to specify.
  2. Click **New/Edit Group**.



3. Double-click a contact name from the list on the left to move it to the group list on the right, or select a name on the left and then click the appropriate arrow to move it to the group list on the right. You can also use those two methods to move names from right to left.
  4. When you have created a group, type a name in the **Group name** window, and then click **OK**.
- To edit an existing individual speed-dial entry:
    1. Click anywhere on the row that contains the contact name to select it.
    2. Type changes in the appropriate windows, and then click **Add/Edit**.  
  
You can also make changes directly in the phone book directory list by clicking the entry and typing your changes. Make sure that you do not have a check mark in the **Select** column.
  - To edit an existing group-speed-dial entry:
    1. Click anywhere on the row containing the group name to select it, and then click **New/Edit Group**.
    2. Make any required changes, and then click **OK**.  
  
You can make changes to the name of the group directly in the phone book directory list by clicking the entry and typing your changes. Make sure that you do not have a check mark in the **Select** column.
  - To delete an entry from the speed-dial list: Select the item and then click **Delete**.
  - To move speed-dial entries:
    1. Select the entry and then click **Move**, or you can select **Move** and then specify the entry in the dialog box.
    2. Select **Next empty row**, or specify the number of the row where you want to move the entry.
- 
-  **NOTE** If you specify a row that is occupied, the new entry will overwrite the existing entry.
- 
- To import contacts from a phone book that exists in Lotus Notes, Outlook, or Outlook Express:
    1. Click **Import Phone Book**.
    2. Select the appropriate software program, navigate to the appropriate file, and then click **OK**.  
  
You can also select individual entries from the phone book instead of importing the entire phone book.
  - To select all of the entries in your speed-dial list: Click the **Select** column heading.

In addition to numerical digits, the following are valid characters for fax numbers:

- (
- )
- +
- -

- \*
- #
- R
- W
- .
- ,
- <space>



---

**NOTE** You must click **Apply** before changes take effect.

---

## Fax send log

The HP ToolboxFX Fax send log lists all recently sent faxes and information about them, including the date and time sent, job number, fax number, page count, and the results.

When you send a fax from a computer that is connected to the all-in-one, the fax contains a **View** link. Click this link to open a new page that provides information about the fax.

Click any column heading in the Fax send log to re-sort the information in that column in ascending or descending order.

The Results column shows the status of the fax. If the fax attempt was unsuccessful, this column provides a description of why the fax was not sent.



---

**NOTE** You must click **Apply** before changes take effect.

---

For more information about faxes, see [Fax on page 70](#).

## Fax receive log

The HP ToolboxFX Fax receive log provides a list of all recently received faxes and information about them including the date and time received, job number, fax number, page count, results, and an abbreviated fax image.

When you receive a fax on a computer that is connected to the all-in-one, the fax contains a **View** link. Clicking this link opens a new page that provides information about the fax.

Click on any column heading in the Fax receive log to re-sort the information in that column in ascending or descending order.

The Results column provides the status of the fax. If the fax attempt was unsuccessful, this column provides a description of why the fax was not received.



---

**NOTE** You must click **Apply** before changes take effect.

---

## Help (Documentation)

The HP ToolboxFX **Documentation** tab contains links to the following main pages:

- **Troubleshooting**
- **How do I?** View the How Do I? Help for help with specific tasks.
- **Animated Demonstrations**
- **User Guide.** View information about the all-in-one usage, warranty, specifications, and support. The user guide is available in both HTML and PDF format.
- **Install Notes.** View important information about the all-in-one that is not available in the user guide. The late-breaking Install Notes contain last-minute information about the all-in-one (in English only).

## System settings

The HP ToolboxFX **System Settings** tab contains links to the following main pages:

- **Device information.** View information about the all-in-one, such as the all-in-one description and a contact person.
- **Paper handling.** Change the all-in-one paper-handling settings, such as default paper size and default paper type.
- **Print quality.** Change the all-in-one print-quality settings.
- **Paper types.** Change the all-in-one mode settings for a each media type, such as letterhead, prepunched, or glossy paper.
- **System setup.** Change the all-in-one system settings, such as all-in-one language and jam recovery.
- **Service.** Gain access to various procedures that help you maintain the all-in-one.
- **Device polling.** Change the all-in-one polling settings, which determine how often HP ToolboxFX collects data from the all-in-one.
- **Save/restore settings.** Save the current settings for the all-in-one to a file on your computer. Use this file to load the same settings onto another all-in-one or to restore these settings to this all-in-one at a later time.

## Device information

The HP ToolboxFX Device information page stores data about your all-in-one for future reference. The information that you type in these fields appears on the Configuration page. You can type any character in each of these fields.



---

**NOTE** You must click **Apply** before changes take effect.

---

## Paper handling

Use the HP ToolboxFX paper-handling options to configure your default settings. These are the same options that are available on the **Paper Handling** and **Printing** menus on the control panel.

You must set the asset number. The asset number is not set at the factory. This number is stored in the all-in-one for identification purposes.

Three options are available for handling print jobs when the all-in-one is out of media:

- Select **Wait for paper to be loaded**.
- Select **Cancel** from the **Paper out action** drop-down list to cancel the print job.
- Select **Override** from the **Paper out time** drop-down list to send the print job to another paper tray.

The **Paper out time** field specifies how long the all-in-one waits before acting on your selections. You can specify from 0 to 3600 seconds.



---

**NOTE** You must click **Apply** before changes take effect.

---

## Print quality

Use the HP ToolboxFX print-quality options to improve the appearance of your print jobs. These are the same options that are available on the **Print Quality** menu on the control panel.

The four options provided for controlling print quality are resolution, REt (Resolution Enhancement technology), print density, and Economode.

- **Resolution.** Select 600 resolution for average print jobs and Fast Res 1200 for higher-quality print jobs. Select ProRes 1200 for the highest-quality print job, but a longer printing time.
- **REt.** You can turn on REt, which HP provides for improved print quality.
- **Print density.** For increased print density, select a higher number. For decreased print density, select a lower number.
- **Economode.** Turn Economode on when you are printing average print jobs. Economode reduces print quality, but increases the life of your print cartridge. To increase print quality, turn Economode off. HP does not recommend full-time use of Economode.



---

**NOTE** You must click **Apply** before changes take effect.

---

## Paper types

Use these HP ToolboxFX paper-types options to configure print modes that correspond to the various media types. When you select **Restore Modes**, all of the modes are reset to the factory settings.



---

**NOTE** You must click **Apply** before changes take effect.

---

## System setup

Use the HP ToolboxFX system-settings options to configure the settings for printing, faxing, copying, and scanning. These are the same options that are available on the **System Settings** menu on the control panel.



---

**NOTE** You must click **Apply** before changes take effect.

---

## Service

During the printing process, paper, toner and dust particles can accumulate inside the all-in-one. Over time, this buildup can cause print-quality problems such as toner specks or smearing. HP ToolboxFX provides an easy method for cleaning the paper path. For more information, see [Cleaning the print path on page 63](#)

## Device Polling

You can turn off HP ToolboxFX device polling to reduce network traffic, but you will also disable some HP ToolboxFX features: pop-up alerts, fax log updates, the ability to receive faxes to this computer, and scanning using the **Scan To** button.

To turn device polling on, do *both* of the following tasks:

- Clear **Turn off device polling** in HP ToolboxFX.
- Turn on one of the disabled device-polling features in HP ToolboxFX.



---

**NOTE** You must click **Apply** before changes take effect.

---

## Print settings

The HP ToolboxFX **Print Settings** tab contains links to the following main pages:

- **Printing.** Change the default all-in-one print settings, such as number of copies and paper orientation.
- **PCL5e.** View and change the PCL5e settings.
- **PostScript.** View and change the PS settings.

## Printing

Use the HP ToolboxFX printing-settings options to configure the settings for all print functions. These are the same options that are available on the **Print Settings** menu on the control panel.



---

**NOTE** You must click **Apply** before changes take effect.

---

## PCL 5e

Use the PCL5e options to configure the settings when you are using the PCL5e print personality. These are the same options that are available on the **PCL5e** menu on the control panel.



---

**NOTE** You must click **Apply** before changes take effect.

---

## PostScript

Use the PostScript option when you are using the PostScript print personality. When the **Print PostScript error** option is turned on, the PostScript error page automatically prints when PostScript errors occur.



---

**NOTE** You must click **Apply** before changes take effect.

---

## Network settings

The network administrator can use the HP ToolboxFX **Network Settings** tab to control the network-related settings for the all-in-one when it is connected to an IP-based network.

# Using Macintosh Configure Device (Mac OS X V10.3 and Mac OS X V10.4)

Macintosh Configure Device is a Web-based program that provides access to information about the all-in-one (for example, information about supplies status and all-in-one settings). Use Macintosh Configure Device to monitor and manage the all-in-one from the computer



---

**NOTE** You must perform a complete software installation to use Macintosh Configure Device.

---

- Check the all-in-one status and print information pages.
- Check and change all-in-one system settings.
- Check default print settings.
- Check and change fax settings, including fax send, fax receive, fax phone book and speed-dial settings, and fax reports.
- Check and change network settings, including IP configuration, Advanced, mDNS, SNMP, network configuration, and password.

You can view Macintosh Configure Device when the all-in-one is directly connected to your computer or when it is connected to the network.



---

**NOTE** You do not have to have Internet access to open and use Macintosh Configure Device.

---

## To view Macintosh Configure Device when the all-in-one is directly connected to the computer

1. Open HP Director by clicking the **HP Director** icon in the dock.
2. In HP Director, click **Settings**.
3. Select **Configure device** to open the Macintosh Configure Device home page in a browser.

## To view Macintosh Configure Device when the all-in-one is connected to a network

1. Open one of the following supported Web browsers:
  - Safari 1.2 or later
  - Microsoft Internet Explorer 5.0 or later
  - Netscape Navigator 4.75 or later
  - Opera 6.05 or later
2. Type the IP address of the all-in-one into the Web browser to open the Macintosh Configure Device home page.



# Understanding the Embedded Web server

This all-in-one is equipped with an embedded Web server (EWS), which provides access to information about all-in-one and network activities. A Web server provides an environment in which Web programs can run, much in the same way that an operating system, such as Windows, provides an environment for programs to run on your computer. The output from these programs can then be viewed in a Web browser, such as Microsoft Internet Explorer, Safari, or Netscape Navigator.

An “embedded” Web server resides on a hardware device (such as an all-in-one) or in firmware, rather than as software that is loaded on a network server.

The advantage of an EWS is that it provides an interface to the all-in-one that anyone who has a network-connected all-in-one and computer can use. There is no special software to install or configure, but a supported Web browser must be installed on the computer. To gain access to the EWS, type the IP address for the all-in-one in the address line of the browser. (To find the IP address, print a Configuration page.)



---

**NOTE** For Macintosh operating systems, you can use the EWS over a USB connection after installing the Macintosh software that is included with the all-in-one.

---

## Features

Use the EWS to view all-in-one and network status and manage printing functions from a computer. Use the EWS to complete the following tasks:

- View all-in-one status information.
- Determine the remaining life of all supplies and order new ones.
- View and change part of the all-in-one configuration.
- View and print some internal pages.
- Select the language in which to display the EWS pages.
- View and change network configuration.



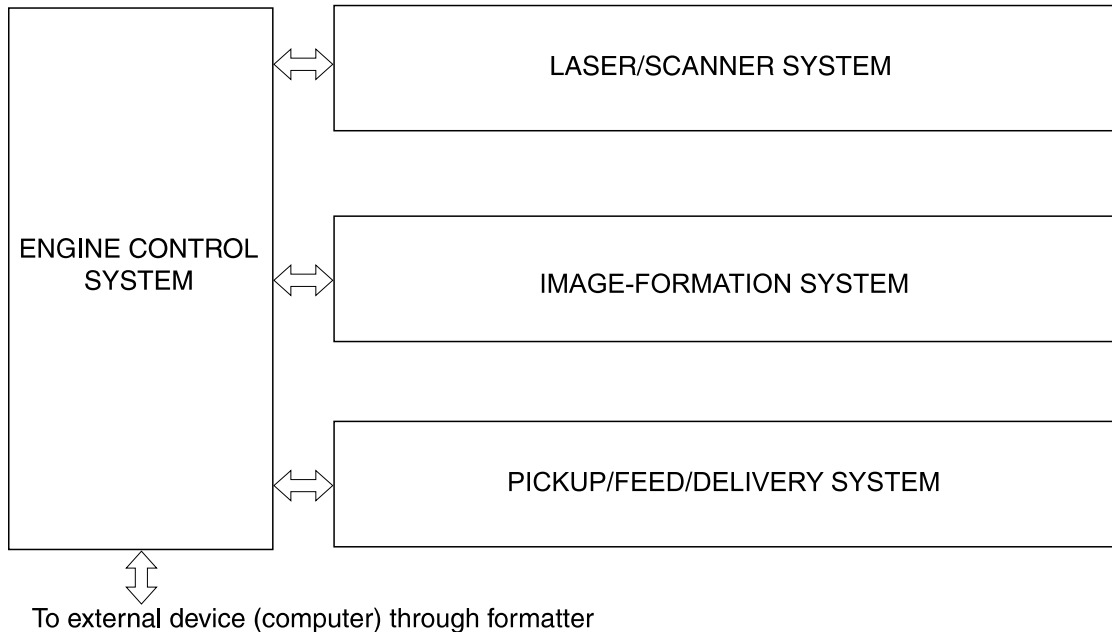
# 4 Theory of operation

- [Basic operation](#)
- [Scanner and ADF functions and operation](#)
- [Internal components \(base unit\)](#)
- [Engine control system](#)
- [Laser/scanner system](#)
- [Pickup/feed/delivery system](#)
- [Image-formation system](#)
- [Fax functions and operation](#)

# Basic operation

This chapter presents an overview of the relationships between major components in the all-in-one, and includes a detailed discussion of the image-formation system. The following systems are discussed:

- Engine control system
- Laser/scanner system
- Pickup/feed/delivery system
- Image-formation system



**Figure 4-1** HP LaserJet 3390/3392 all-in-one system block diagram

## Sequence of operation for the base unit

Operational sequences are controlled by the microprocessor and the DC controller.

**Table 4-1** Sequence of operation

Name	Timing	Purpose
WAIT	From power-on until the end of the main-motor initial drive	Detects the presence of a print cartridge; clears potential from the drum surface and cleans the transfer roller  See <a href="#">Table 4-2 Power-on sequence on page 83</a> for a complete description of the WAIT (power-on) period.
STBY (standby)	From the end of the WAIT or LSTR period until either a print command is sent from the formatter or the power is turned off	Prepares the all-in-one to receive print commands
INTR (initial rotation)	From the time of the print command until the pickup solenoid is turned on	Prepares the photosensitive drum for printing

**Table 4-1** Sequence of operation (continued)

Name	Timing	Purpose
PRINT	From the end of the INTR period until the primary high-voltage is turned off	Forms the image on the photosensitive drum and transfers the toner image to the media
LSTR (last rotation)	From the end of the PRINT period (when high-voltage is turned off) until the main motor stops rotating	Delivers the last page of a print job  After LSTR, the all-in-one either returns to STBY or, if another print command was sent from the formatter, enters INTR

**Table 4-2** Power-on sequence

Step	Action
1	Power-on
2	CPU initialization
3	Start video interface communication
4	Check sensors for residual media
5	Main motor initial drive
6	Fuser heater initial drive. The fuser heater reaches a surface temperature of 100 degrees C.
7	Laser/scanner motor initial drive
8	High-voltage control  Detect presence of a print cartridge  Clean the transfer roller after the primary charging ac bias is turned on
9	Failure/abnormality check: detect laser/scanner failure, fuser failure, and open covers
10	Communication with the memory tag

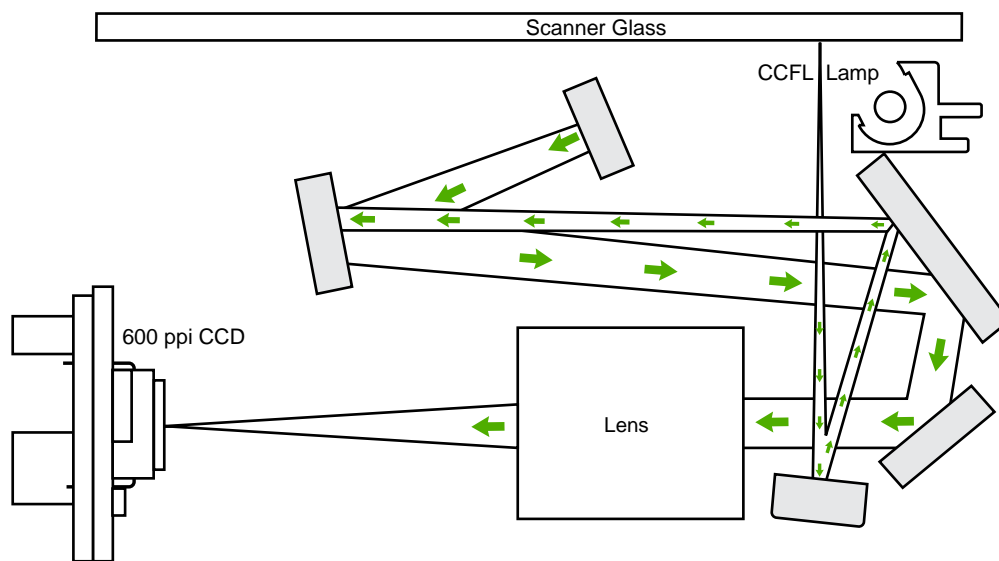
# Scanner and ADF functions and operation

The following sections describe how the document scanner and the automatic document feeder (ADF) function.

## Scanner functions

The scanner uses a light source, a color-separation method, and a charge-coupled device array (CCD) to collect optical information about the document and transform that into an image file. The scanner consists of these elements:

- A lamp (cold-cathode fluorescent lamp)
- Five mirrors and a lens
- A CCD



**Figure 4-2** Optical system

The scanner lamp illuminates a small strip of the document (called the *raster line*). The mirrors direct the light through the lens to the CCD. The CCD senses and records the light, creating an analog representation of the raster line. If the ADF is being used, the document then advances in the ADF to the next raster line. If the flatbed is being used, the scanner module advances to the next raster line. This advancing and collection process continues to the end of the sheet.

The image data is collected in the motor controller board, where it is processed and sent to the formatter. The formatter then handles the image data, outputting it as a copy, sending it through the LIU as a fax, or directing it to the computer as scanner output.

The image data collected is 600 pixels per inch (ppi). Each pixel has 8 bits for each of the three colors (256 gray scale levels for each color), or a total of 24 bits per pixel (24-bit color).

## Scanner operation

At power-on and periodically at other times, the scanner assembly moves systematically to locate its home position. It then calibrates to a white strip located under the glass at the right end of the scan tub.

If the all-in-one detects a document in the ADF when a copy or scan is initiated (from the software or the control panel), the scan module moves to the left side of the scan tub and stops. The image is acquired as the paper is fed through the ADF past the scanner module.

If no document is detected in the ADF, or if the model does not have an ADF, the scan module acquires the image from the flatbed glass while slowly moving within the scan tub.

## ADF operation

**Standby (paper-loading) mode:** In standby mode, the pickup roller is up and the stack-stop is down, preventing the user from inserting the original document too far. When a document is inserted correctly, the paper-present sensor detects its presence.

The standard operation of the ADF consists of the pick, feed, and lift steps.

**Pick:** When it receives a copy or scan command, the ADF motor engages the gear train to lower the pickup-roller assembly and raise the stack-stop. The first roller, called the pre-pick roller, moves the top few sheets forward into the ADF. The next roller is the pickup roller. This roller contacts the ADF separation pad, which separates multiple pages into single sheets.

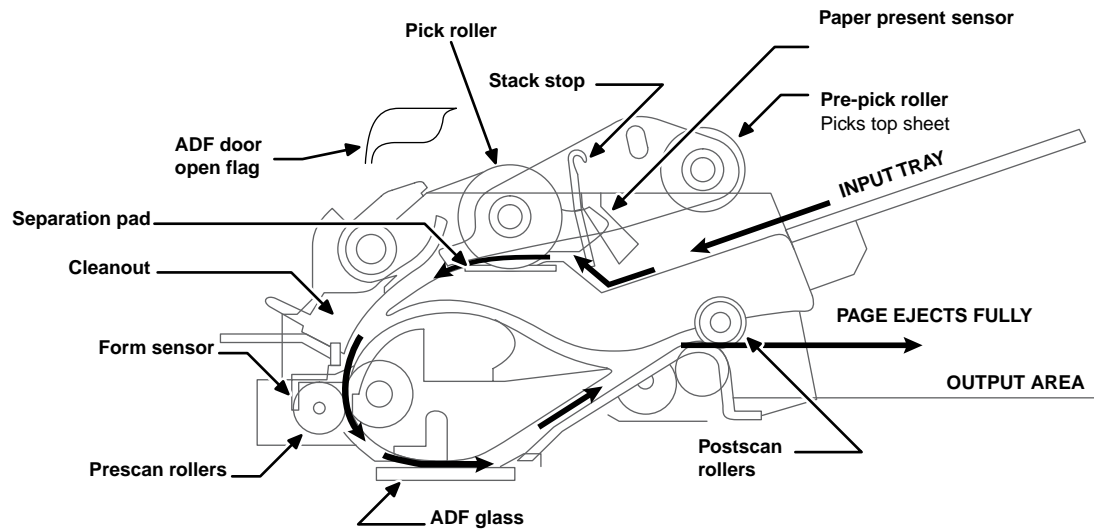
**Feed:** The single sheet continues through the path. Along the way, the form sensor, which is a set distance from the ADF glass, detects the sheet. This alerts the scanner to start when the page reaches the glass. The scanner acquires the image, one raster line at a time, until it detects the end of the page. The page is then ejected. The pick and feed steps are repeated as long as paper is detected in the ADF input tray.

**Lift:** When no more paper is detected in the ADF input tray and the form sensor detects the trailing edge of the last page, the last sheet is ejected and the motor turns in a sequence that lifts the pick roller assembly to standby (paper-loading) mode again.

The ADF will not function when the ADF cover is open. The paper path is incomplete if the ADF cover is lifted from the glass.

## ADF paper path and ADF sensors

The following diagram shows the ADF paper path.



**Figure 4-3** ADF paper path

The paper-present sensor determines if paper is in the ADF. The form sensor detects the top and bottom edges of the document. One other sensor detects an open ADF door.



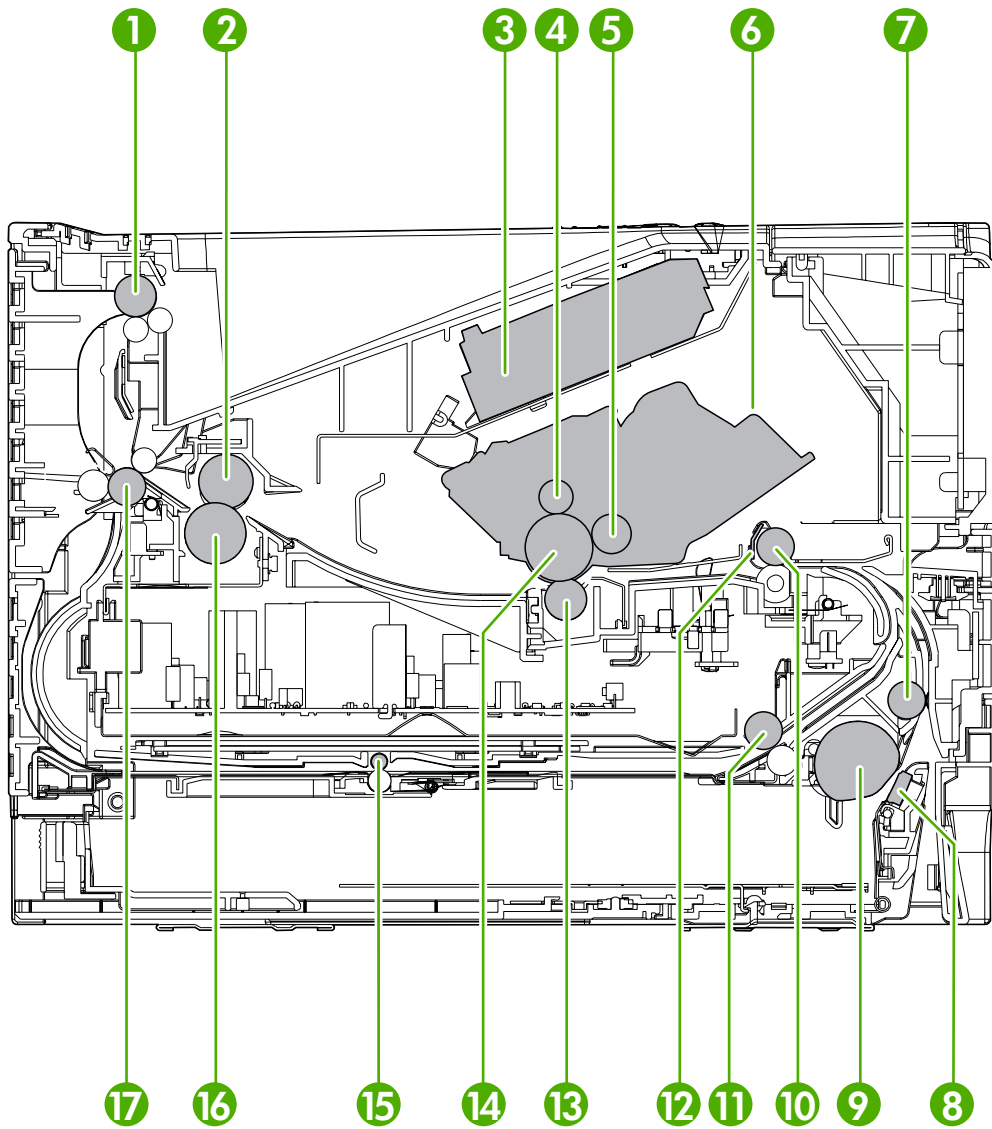
## ADF jam detection

The ADF has two sensors that detect paper. The paper-present sensor detects the presence of media in the ADF input tray. The form sensor detects media moving through the ADF. If a jam is detected, the ADF immediately stops the paper feeding and a jam message appears on the control-panel display.

A jam can be detected under any of the following conditions:

- **Document-feeder jam** When documents are detected in the ADF input tray, and a command to copy, scan or fax is received, the scan module travels to the left side of the scan assembly and stops beneath the ADF scanner glass. The ADF then attempts three times, or for about ten seconds, to advance the paper to the form sensor. If the paper does not advance, the scan module travels back to the home position on the right side of the scanner assembly. The message **Document feeder mispick. Reload.** appears on the control-panel display.
- **Long-document jam** If the paper has advanced to trigger the form sensor, but the trailing edge is not detected within the time allowed for a 381-mm (15-inch) document (the maximum allowable page length for the ADF), the scanner returns to the home position at the right side of the scanner assembly. The message **Doc feeder jam. Clear, Reload.** appears on the control-panel display.
- **Stall jam** When a page that is less than 381 mm (15 inches) long has advanced to the form sensor but has not left it within the expected time, the paper has probably stalled or jammed. The scanner returns to the home position at the right side of the scanner assembly. The message **Doc feeder jam. Clear, Reload.** appears on the control-panel display.
- **Other** If the paper stops in the ADF and the scan module remains under the ADF scanner glass, an internal firmware error has probably occurred. This is usually remedied by cycling the power.

## Internal components (base unit)



**Figure 4-4** Internal components (base unit)

1	Top output bin delivery roller
2	Fuser film
3	Laser/scanner
4	Primary charging roller
5	Developing cylinder
6	Print cartridge
7	Feed roller
8	Separation pad

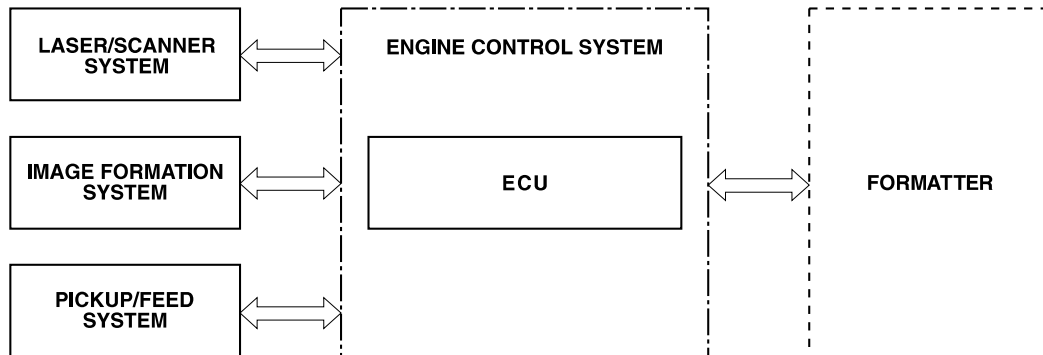
9	Pickup roller
10	Registration roller
11	Duplexer pickup roller
12	Registration shutter
13	Transfer roller
14	Photosensitive drum
15	Duplexer feed roller
16	Pressure roller
17	Rear output bin delivery roller

## Engine control system

The engine control system coordinates all of the all-in-one functions, according to commands sent from the formatter. It drives the laser/scanner system, the image-formation system, and the pickup/feed/delivery system.

The engine control system contains the following components:

- Formatter
- High-voltage PCA



**Figure 4-5** Engine control system

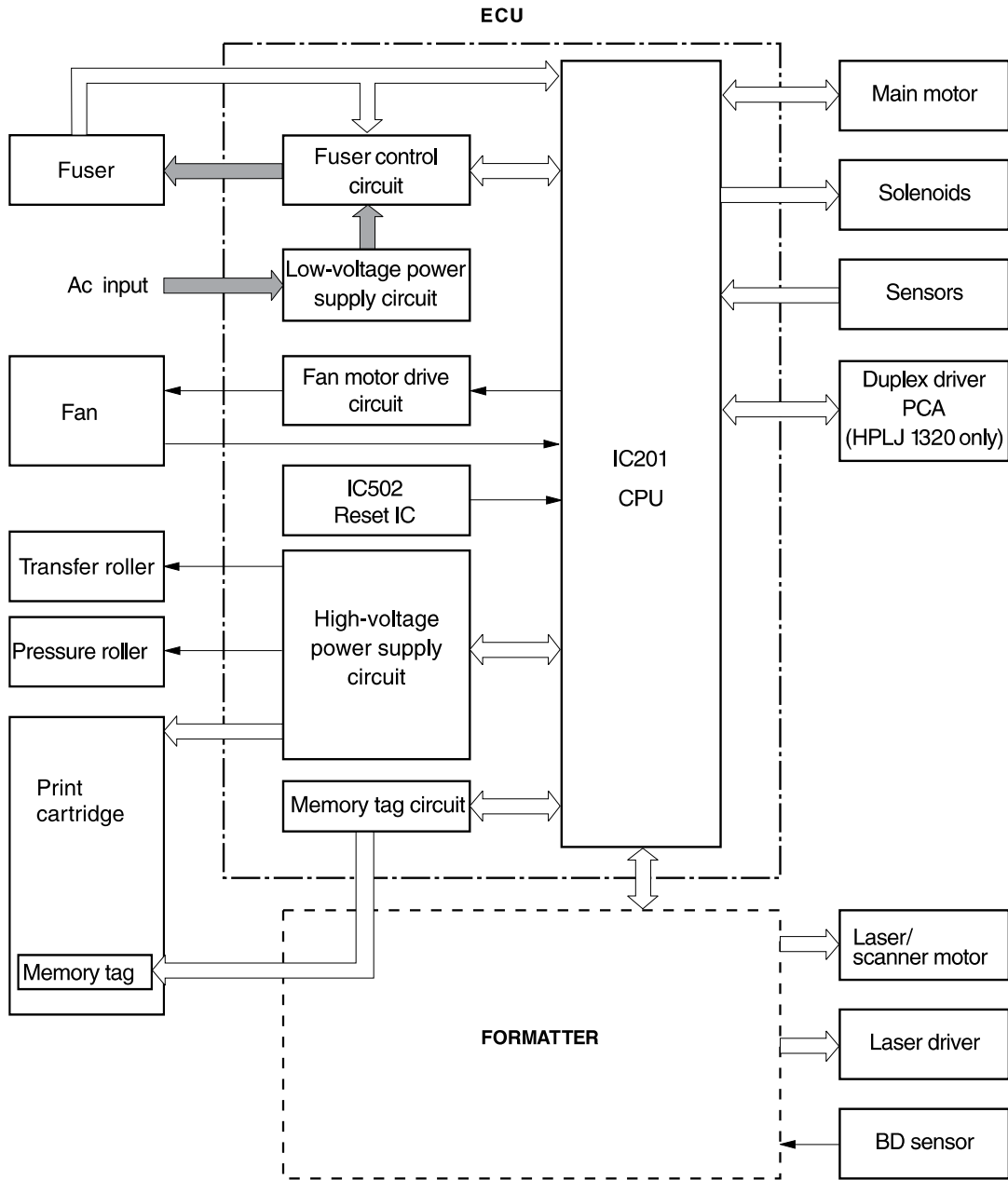


Figure 4-6 Engine-control-system circuit diagram

# Laser/scanner system

The laser/scanner system receives video signals from the dc controller and the formatter and converts the signals into latent images on the photosensitive drum.

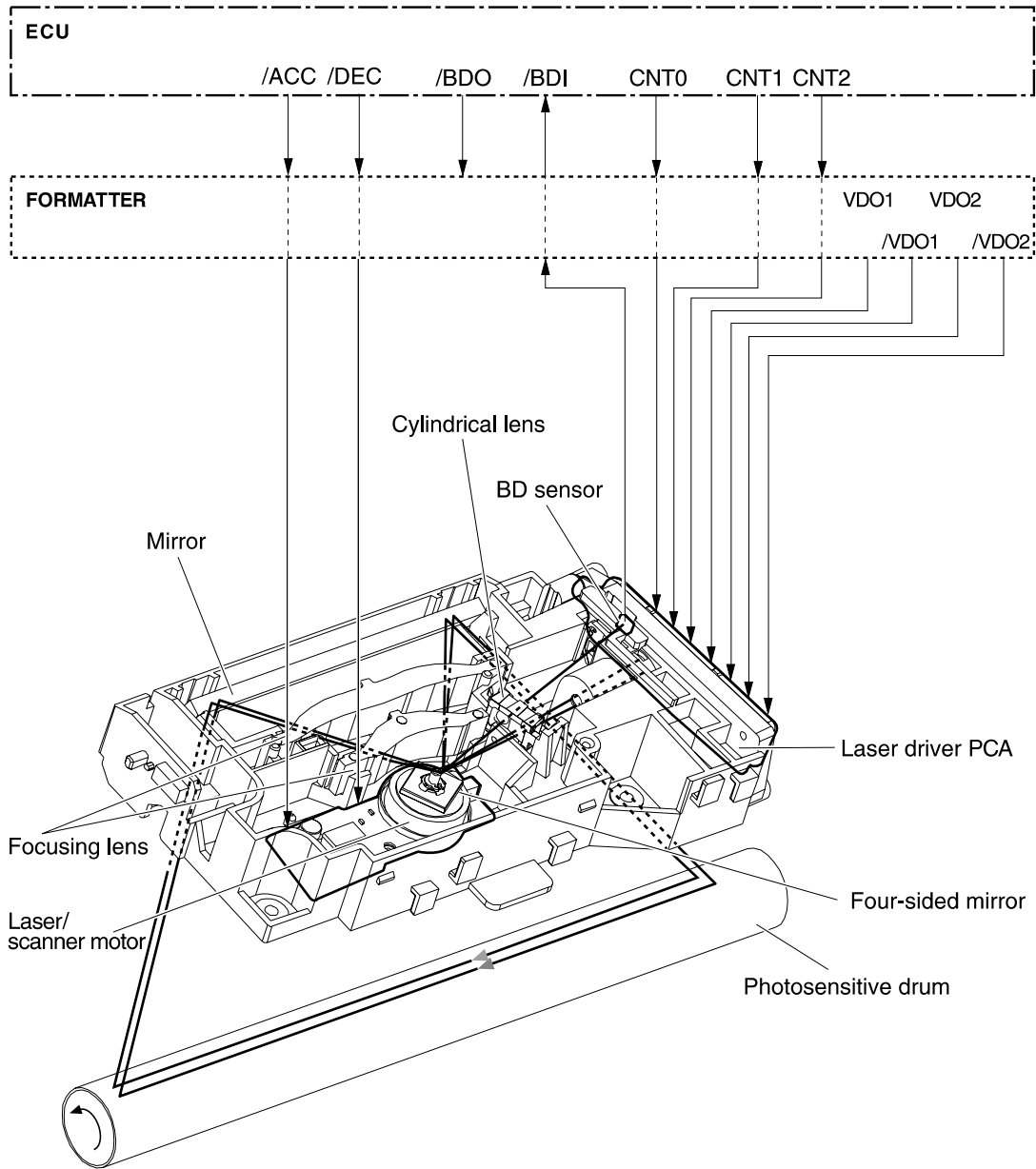


Figure 4-7 Laser/scanner system

## Pickup/feed/delivery system

The pickup/feed/delivery system consists of several types of feed rollers and sensors. The dc controller uses two motors and two solenoids to drive the rollers. Three media-detection sensors detect media as it passes through the all-in-one. If media does not reach or pass each sensor within a specified time period, the dc controller determines that a jam has occurred and alerts the formatter.

The following components are identified in [Figure 4-8 Pickup/feed/delivery system on page 94](#):

- M1, main motor
- SL1, tray 2 pickup solenoid
- SL2, tray 1 pickup solenoid
- SL3, duplex solenoid
- PS911, tray 1 media sensor
- PS912, top-of-page sensor
- PS913, width-detection sensor
- PS914, tray 2 media sensor
- PS915, fuser delivery sensor
- PS915, duplex sensor

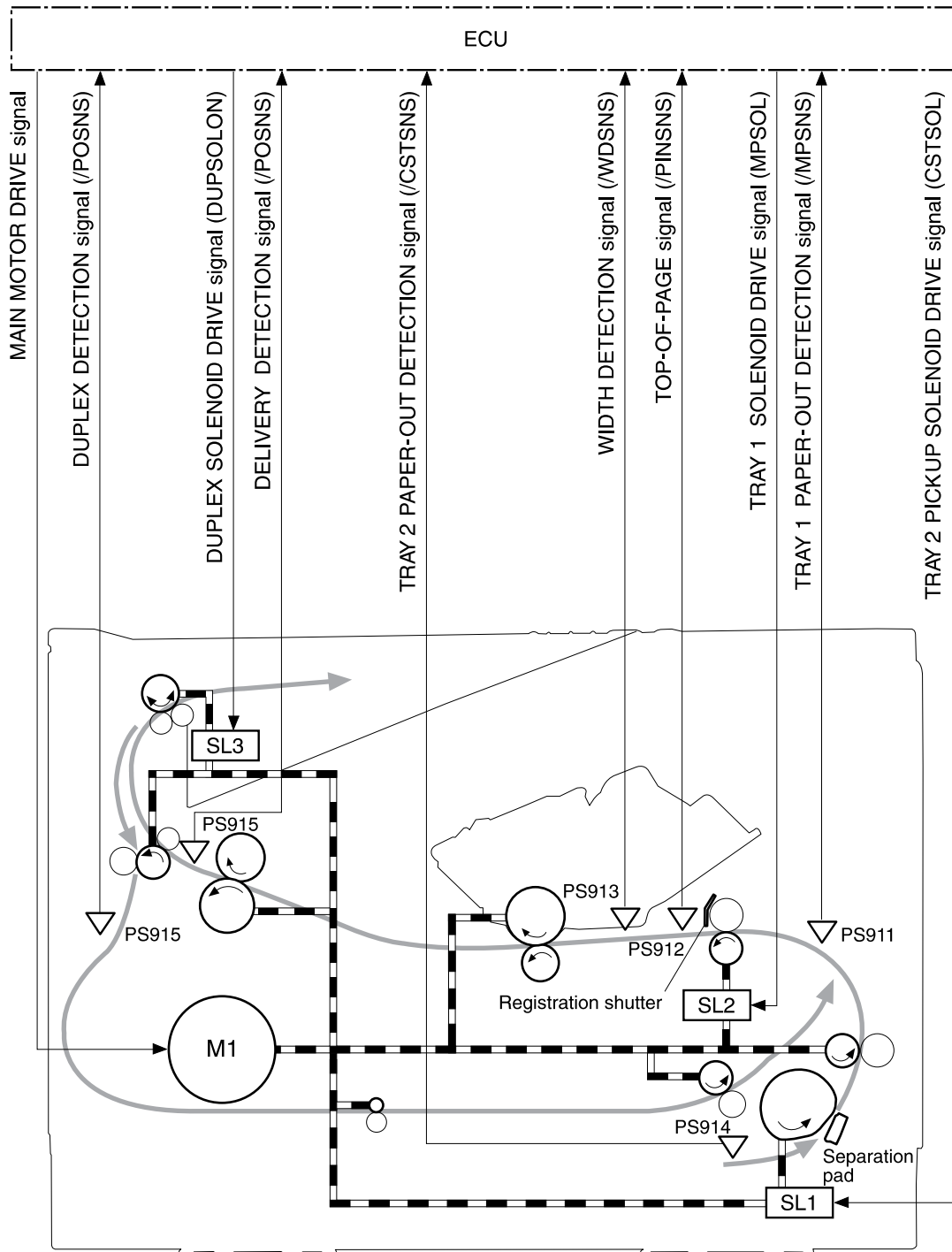


Figure 4-8 Pickup/feed/delivery system

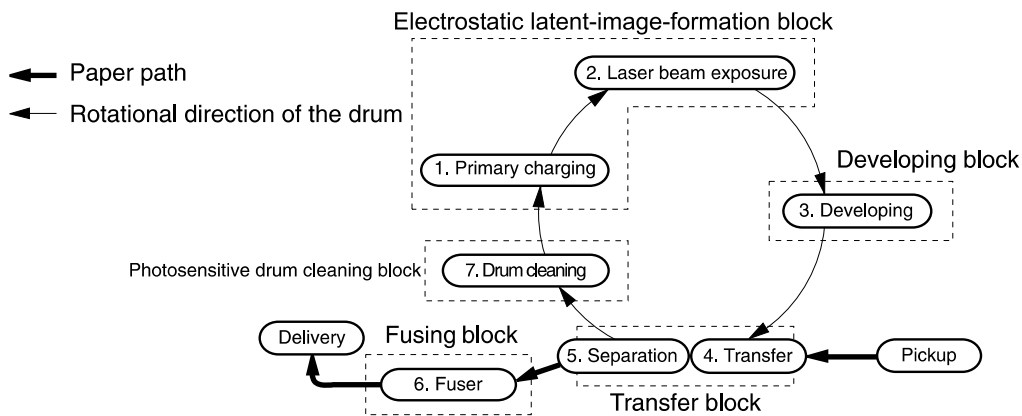


# Image-formation system

Laser printing requires the interaction of several different technologies, including electronics, optics, and electrophotographics, to provide a printed page. Each process functions independently and must be coordinated with the other all-in-one processes. Image formation consists of the following five processes:

- Electrostatic latent-image formation
- Developing
- Transfer
- Fusing
- Drum cleaning

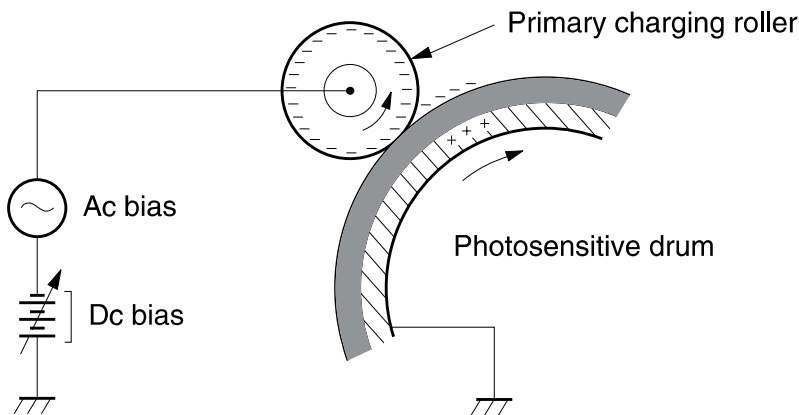
The five processes contain seven steps, which are shown in [Figure 4-9 Image-formation system on page 95](#) and described in the following sections.



**Figure 4-9** Image-formation system

## Step 1: Primary charging

Dc and ac biases are applied to the primary charging roller, which transfers a uniform negative potential to the photosensitive drum.



**Figure 4-10** Primary charging

### Step 2: Laser beam exposure

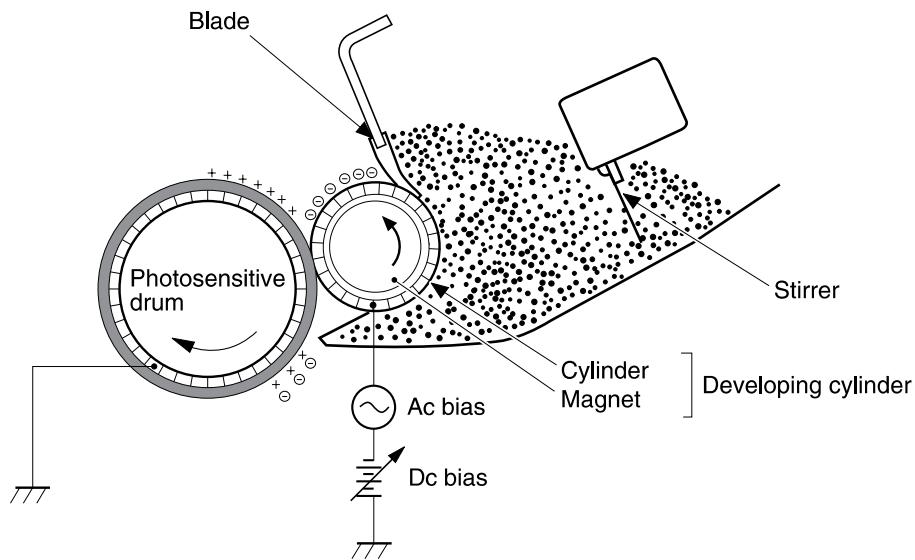
The laser beam scans the photosensitive drum to neutralize negative charges on parts of the drum. An electrostatic latent image is formed on the drum where negative charges were neutralized.

### Step 3: Developing

The developing cylinder comes in contact with the photosensitive drum to deposit toner onto the electrostatic latent image.



**NOTE** The charges on the exposed area of the drum are shown as positive in [Figure 4-11 Developing on page 96](#). The charges are actually negative, but they are more positive than the charges on the developing cylinder.

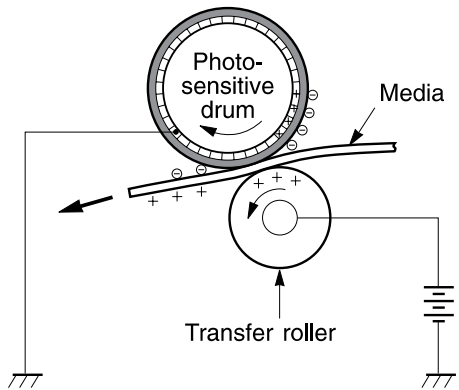


**Figure 4-11** Developing

Toner acquires a negative charge through friction from the developing cylinder and the blade. When the negatively charged toner comes in contact with the drum, the toner adheres to the electrostatic latent image. The image on the drum becomes visible because of the toner.

### Step 4: Transfer

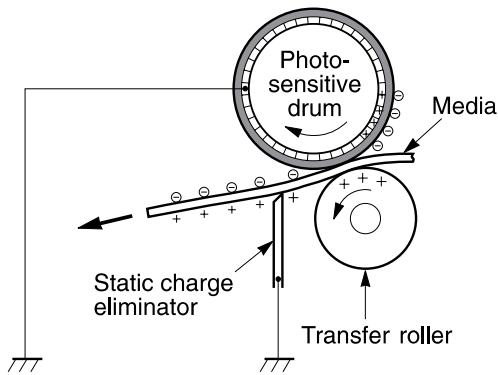
The transfer charging roller, to which a dc positive bias is applied, imparts a positive charge on the print media. When the print media comes in contact with the photosensitive drum, the toner is transferred to the print media.



**Figure 4-12** Transfer

**Step 5: Separation**

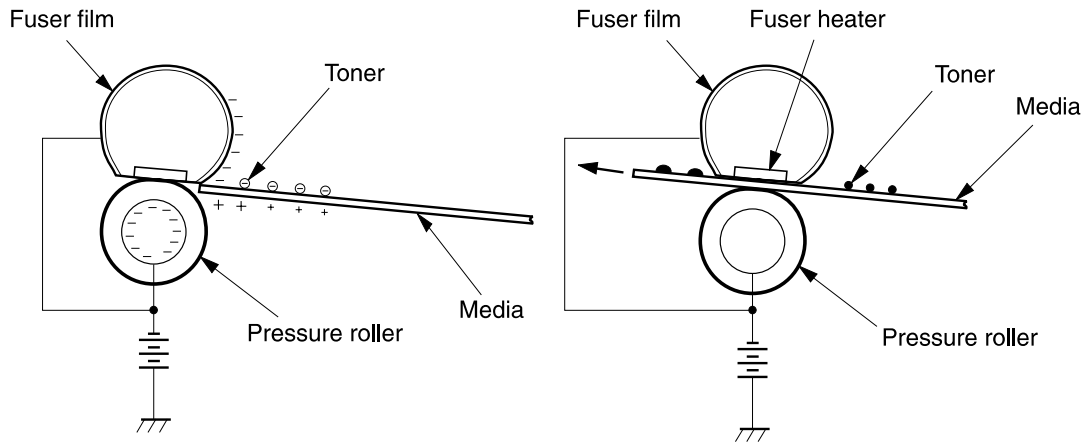
The elasticity of the print media causes its separation from the photosensitive drum. A static-charge eliminator aids separation by weakening any electrostatic adhesion.



**Figure 4-13** Separation

**Step 6: Fusing**

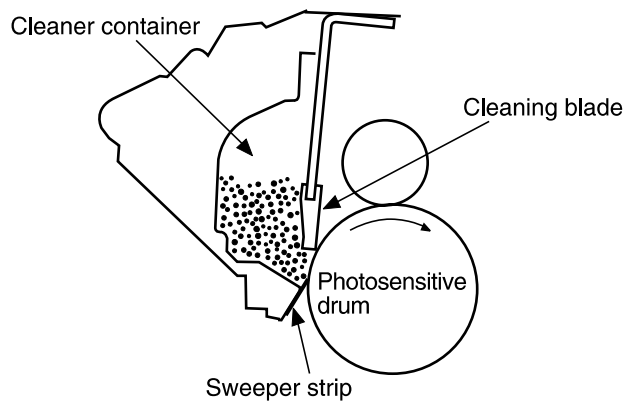
The dc negative bias applied to the fusing film strengthens the holding force of the toner on the print media and prevents the toner from scattering.



**Figure 4-14** Fusing

**Step 7: Drum cleaning**

The cleaning blade scrapes the residual toner off of the photosensitive drum and deposits it into the waste-toner case.



**Figure 4-15** Drum cleaning

# Fax functions and operation

The following sections describe the all-in-one fax capabilities.

## Computer and network security features

The HP LaserJet 3390/3392 all-in-one can send and receive fax data over telephone lines that conform to public switch telephone network (PSTN) standards. The secure fax protocols make it impossible for computer viruses to be transferred from the telephone line to a computer or network.

The following all-in-one features prevent virus transmission:

- No direct connection exists between the fax line and any devices that are connected to the USB or Ethernet ports.
- The internal firmware cannot be modified through the fax connection.
- All fax communications go through the fax subsystem, which does not use Internet data-exchange protocols.

## PSTN operation

The PSTN operates through a central office (CO) that generates a constant voltage on the TIP and RING wires (48 V, usually). A device goes on-hook by connecting impedance (such as 600 ohms for the U.S.) across the TIP and RING so that a line current can flow. The CO can detect this current and can send impulses like dial tones. The all-in-one generates more signaling tones, such as dialing digits, to tell the CO how to connect the call. The all-in-one can also detect tones, such as a busy tone from the CO, that tell it how to behave.

When the call is finally connected, the CO behaves like a piece of wire connecting the sender and receiver. This is the period during which all of the fax signaling and data transfer occurs. When a call is completed, the circuit opens again and the line-current flow ceases, removing the CO connection from both the sender and the receiver.

On most phone systems, the TIP and RING wires appear on pins 3 and 4 of the RJ-11 modular jack (the one on the LIU). These two wires do not have to be polarized because all the equipment works with either TIP or RING on pin 3 and the other wire on pin 4. This means that cables of either polarity can interconnect and will still work.

These basic functions of PSTN operation are assumed in the design of the fax subsystem. The all-in-one generates and detects the signaling tones, currents, and data signals that are required to transmit and receive faxes on the PSTN.

## To receive faxes when you hear fax tones

In general, incoming faxes to the all-in-one are automatically received. However, if other devices are connected to the same phone line, the all-in-one might not be set to answer automatically.

If the all-in-one is connected to a phone line that receives both fax and phone calls, and you hear fax tones when you answer the extension phone, receive the fax in one of two ways:

- If you are near the all-in-one, press **Start Fax** on the control panel.
- Press 1-2-3 in sequence on the extension phone keypad, listen for fax transmission sounds, and then hang up.



---

**NOTE** In order for the 1-2-3 sequence to work, the extension phone setting must be set to **On** in the **Fax setup** menu.

---

## Distinctive ring function

Distinctive ring is a service that a telephone company provides. The distinctive ring service allows three phone numbers to be assigned to one phone line. Each phone number has a distinctive ring. The first phone number has a single ring, the second phone number has a double ring, and the third phone number has a triple ring.

If the distinctive ring service is used, the fax phone number should be the phone number that uses the double or triple ring.



---

**NOTE** The all-in-one has not been tested with all of the distinctive-ring services that telephone companies provide in all countries/regions. HP does not guarantee that the distinctive-ring function will operate correctly in all countries/regions.

---

### Set up the distinctive ring function

1. Press **Menu**. Use the < or > button to scroll to **Fax setup** and then press ✓.
2. Use the < or > button to scroll to **Fax recv. setup** and then press ✓.
3. Use the < or > button to scroll to **Fax recv. setup Answer ring type** and then press ✓.
4. Use the < or > button to scroll to one of the following options:
  - **All rings** (default setting)
  - **Single**
  - **Double**
  - **Triple**
  - **DoubleTriple**

Press ✓ to save the setting.

## Faxing with Voice over IP services

Voice over IP (VoIP) services provide normal telephone service, including long distance service through a broadband Internet connection. These services use packets to break up the voice signal on a telephone line and transmit it digitally to the receiver, where the packets are reassembled. The VoIP services are often not compatible with fax machines. The VoIP provider must state the service supports fax over IP services.

Because the installation process varies, the VoIP service provider will have to assist in installing the all-in-one fax component.

Although a fax might work on a VoIP network, it can fail when the following events occur:

- Internet traffic becomes heavy and packets are lost.
- Latency (the time it takes for a packet to travel from its point of origin to its point of destination) becomes excessive.

If you experience problems using the fax feature on a VoIP network, ensure that all of the all-in-one cables and settings are correct. Configuring the V.34 setting to **Disable** (**Enable** is the default setting) can also improve your ability to send a fax over a VoIP network.

If you continue to have problems faxing, contact your VoIP provider.

## The fax subsystem

The formatter, LIU, firmware, and software all contribute to the fax functionality. The designs of the formatter and LIU, along with parameters in the firmware, determine the majority of the regulatory requirements for telephony on the all-in-one.

The fax subsystem is designed to support V.34 fax transmission, lower speeds (such as V.17 fax), and older fax machines.

## Formatter in the fax subsystem

The formatter contains the modem chipset (DSP and CODEC) that controls the basic fax functions of tone generation and detection, along with channel control for the fax transmissions.

The CODEC and its associated circuitry act to control transmit and receive gains, and to compensate for transmission signal coupling into the receive channel. The formatter also contains circuitry that adds termination impedance to help match the telephone network impedance.

## LIU in the fax subsystem

Two versions of the LIU are used in the HP LaserJet 3390/3392. One is used in the North American, South American, and Asian countries/regions. The other is used primarily in European countries/regions.

The following are features that are different in the European version:

- A different voltage-protection device
- Current limiting of the dc current
- Filtering for the countries/regions that use billing or metering tones
- Control of the impedance of the dc circuit through the SHUNT signal

Because the TIP and RING are not polarized, all LIU circuitry that connects to TIP and RING is bidirectional. The LIU operates identically when TIP and RING are reversed.

### Safety isolation

The most important function of the LIU is the safety isolation between the high-voltage, transient-prone environment of the telephone network (TNV [telephone network voltage]) and the low-voltage analog and digital circuitry of the formatter (SELV [secondary extra-low voltage]). This safety isolation provides both customer safety and all-in-one reliability in the telecom environment.

Any signals that cross the isolation barrier do so either optically or magnetically. The breakdown voltage rating of barrier-critical components is greater than 1.5 kV.

### Safety-protection circuitry

In addition to the safety barrier, the LIU protects against RING and over-current events.

Telephone over-voltages can be either differential mode or common mode. The RING can be transient in nature (a lightning-induced surge or ESD) or continuous (a power line crossed with a phone line). The LIU protection circuitry provides margin against combinations of RING events.

Common mode protection is provided by the selection of high-voltage-barrier critical components (transformer, relay, and optoisolators). The safety barrier of the LIU PCB traces and the clearance between the LIU and surrounding components also contribute to common mode protection.

A voltage suppressor (a crowbar-type SIDACTOR) provides differential protection. This device becomes low impedance at approximately 300 V differential, and crowbars to a low voltage. A series thermal switch works in conjunction with the crowbar for continuous RING events, such as crossed power lines.

When the differential RING is continuous, the resulting over-current causes the thermal switch to become high impedance, disconnecting RING from the network and protecting the crowbar from thermal overload. The thermal switch automatically resets to low impedance after the over-current condition is removed, reconnecting RING to the network.



## Data path

The magnetically coupled signals that cross the isolation barrier go either through a transformer or a relay. The TIP and RING signals use a transformer to cross the isolation barrier.

TIP and RING are the two-wire paths for all signals from the telephone network. All signaling and data information comes across them, including fax tones and fax data.

The telephone network uses dc current to determine the hook state of the telephone, so line current must be present during a call. On some line interfaces this current flows through the transformer, but on the LIU, a capacitor blocks the current from going into the transformer.

Blocking the current with a capacitor prevents the core of the transformer from being saturated by the high dc voltage, which can affect the ac signal quality. Rather than permitting the current to flow through the transformer, this LIU directs the current through another circuit called a gyrator or dc hold circuit. This creates the path for the central office-current flow when a call is in progress.

## Hook state

Another magnetically coupled signal is the control signal that disconnects the downstream telephone devices (such as a phone or answering machine). A control signal originating on the formatter can change the relay state, causing the auxiliary jack (downstream jack) to be disconnected from the circuit.

The all-in-one takes control of calls that it recognizes as fax calls. If the all-in-one does not directly pick up the call, it monitors incoming calls for the fax tone or for the user to direct it to receive a fax. This idle mode is also called eavesdropping. This mode is active when the all-in-one is on-hook but current exists in the downstream phone line because another device is off-hook. During eavesdropping, the receive circuit is enabled but has a different gain from the current that is generated during normal fax transmissions.

The all-in-one does not take control of the line unless it detects a fax tone or the operator tells it to connect manually. This feature allows the user to make voice calls from a phone that is connected to the all-in-one without being cut off if a fax is received.

## Downstream current detection

The aux phone detect signal is optically coupled. This signal tells the firmware that an active phone (or modem or answering machine) is connected to the auxiliary port of the all-in-one (the right side of the RJ-11 jack).

A circuit that can detect current above a certain threshold generates the downstream-current-detection signal. The downstream current goes through a resistor, generating a voltage. If this voltage is above the threshold level, the signal changes state.

The downstream-current-detection signal is coupled back to the formatter through an optoisolator and across the safety isolation barrier. The firmware uses this signal to ensure that the all-in-one does not go off-hook (and disconnect a downstream call) until it has been authorized to do so (by a manual fax start or detection of the appropriate tones).

## Hook switch control

Another optically coupled signal is the hook switch control. This signal from the formatter causes an optoisolator on the LIU to activate (making an open circuit into a short circuit). When shorted, the circuit is drawing dc current from the central office and is considered “on-hook.” When open, no dc current flows and the state is considered to be “off-hook.”

For pulse dialing, the optoisolator is toggled on and off with a particular timing sequence to generate pulses that the central offices of the telephone company recognizes as dialing digits.

## Ring detect

Another optically coupled signal on the LIU is ring detect. Ring detect is a combination of voltage levels and cadence (time on and time off). Both must be present in order for the all-in-one to detect a valid ring.

The LIU works with the firmware to determine if an incoming signal is an answerable ring. When circuits on the LIU detect a ring voltage above a certain threshold, a corresponding signal is passed to the formatter to indicate that the ring is above the threshold. The firmware then measures the amount of time that the signal is high and low, and qualifies the cadence to determine whether it is a valid ring.

## Line current control

The dc current from the CO needs to have a path to flow from TIP to RING. Because the current does not flow in the transformer, a path through some transistors and diodes (the dc hold circuit) acts like a simulated inductor (thus replacing the function of the transformer). This dc hold circuit is the main component of the voltage-current characteristic between TIP and RING.

Two other functions of this block of circuits are the current limit and the SHUNT for Europe. Current limit basically maintains a constant current from TIP to RING after the voltage reaches about 50 mA. Even if the voltage varies, the current will remain the same.

The SHUNT function changes the impedance (the current-voltage characteristic) during certain special events, such as pulse dialing and when the devices goes on-hook.

During such an event, the firmware tells the DSP on the formatter to activate SHUNT. A signal goes to the LIU through an optoisolator (optically coupled), which changes the state of some transistors so that the board has a linear current characteristic (normally, it is current-limited). Then more current can flow to the network, as required by these special events.

## Billing- (metering-) tone filters

Switzerland and Germany provide high-frequency ac signals on the phone line in order to bill customers. The LC (inductor, capacitor) notch filters are provided on the European LIUs to prevent these billing signals from adversely affecting the data path and the dc hold circuit.

An additional filter in the cable (for certain countries/regions) can, in some cases, supplement these LC notch filters. Because these billings signals are not used in the U.S., these filters are not present on the U.S. LIU.

## **Fax page storage in flash memory**

Fax pages are the electronic images of the document page. They can be created in any of three ways: scanned to be sent to another fax machine, generated to be sent by the computer, or received from a fax machine to be printed.

The all-in-one stores all fax pages in flash memory automatically. After these pages are written into flash memory they are stored until the pages are sent to another fax machine, printed on the all-in-one, transmitted to the computer, or erased by the user.

These pages are stored in flash memory, which is the nonvolatile memory that can be repeatedly read from, written to, and erased. The all-in-one has 4 MB of flash memory, of which 3.4 MB is available for fax storage. The remaining 0.6 MB is used for the file system and reclamation. Adding RAM does not affect the fax page storage because the all-in-one does not use RAM for storing fax pages.

### **Stored fax pages**

The user can reprint stored fax pages in case of errors. The all-in-one will re-send stored fax pages after a busy signal, comm error, no answer, or power failure. Other fax devices store fax pages in either normal RAM or short-term RAM. Normal RAM immediately loses its data when power is lost, while short-term RAM loses its data about 60 minutes after power failure. Flash memory maintains its data for years without any applied power.

### **Advantages of flash memory storage**

Fax pages that are stored in flash memory are persistent. They are not lost as a result of a power failure, no matter how long the power is off. Users can reprint faxes in case the print cartridge runs out of toner or the all-in-one experiences other errors while printing faxes.

The all-in-one also has scan-ahead functionality that makes use of flash memory. Scan-ahead automatically scans pages into flash memory before a fax job is sent. This allows the sender to pick up the original document immediately after it is scanned, eliminating the need to wait until the fax is transmission is complete.

Because fax pages are stored in flash memory rather than RAM, more RAM is available to handle larger and more complicated copy and print jobs.



# 5 Removal and replacement

- [Introduction](#)
- [External panels, covers, and doors](#)
- [Replacing the ADF pickup-roller assembly](#)
- [ADF assembly](#)
- [Scanner/ADF assembly](#)
- [Bezel and control panel](#)
- [Internal assemblies](#)

# Introduction

This chapter documents removal and replacement of field replaceable units (FRUs) only.

Replacing FRUs is generally the reverse of removal. Occasionally, notes are included to provide directions for difficult or critical replacement procedures.

HP does not support the repairing individual subassemblies or troubleshooting at the component level.

Note the length, diameter, color, type, and location of each screw. Be sure to return each screw to its original location during reassembly.

Incorrectly routed or loose wire harnesses can interfere with other internal components and can become damaged or broken. Frayed or pinched harness wires can be difficult to locate. When replacing wire harnesses, always use the provided wire loops, lance points, or wire-harness guides.

## Removal and replacement strategy



**WARNING!** Turn the all-in-one off, wait 5 seconds, and then remove the power cord before attempting to service the all-in-one. If this warning is not followed, severe injury can result, as well as damage to the all-in-one. The power must be on for certain functional checks during troubleshooting. However, the power supply should be disconnected during parts removal.

Never operate or service the all-in-one with the protective cover removed from the laser/scanner assembly. The reflected beam, although invisible, can damage your eyes.

The sheet-metal parts can have sharp edges. Be careful when handling sheet-metal parts.



**CAUTION** Do not bend or fold the flat flexible cables (FFCs) during removal or installation. Also, do not straighten pre-folds in the FFCs. You *must* make sure that all FFCs are fully seated in their connectors. Failure to fully seat an FFC into a connector can cause a short circuit in a PCA.



**NOTE** To install a self-tapping screw, first turn it counterclockwise to align it with the existing thread pattern, and then carefully turn it clockwise to tighten. Do not overtighten. If a self-tapping screw-hole becomes stripped, repair the screw-hole or replace the affected assembly.

## Electrostatic discharge



**CAUTION** Some parts are sensitive to electrostatic discharge (ESD). Look for the ESD reminder when removing all-in-one parts. Always perform service work at an ESD-protected workstation or mat. If an ESD workstation or mat is not available, ground yourself by touching the sheet-metal chassis *before* touching an ESD-sensitive part.

Protect the ESD-sensitive parts by placing them in ESD pouches when they are out of the all-in-one.

## User-replaceable parts

To remove and replace the all-in-one tray 2 pickup roller or the tray 2 or tray 3 separation pad, see [Replacing the tray 2 pickup roller on page 44](#) or [Replacing the tray 2 and optional tray 3 separation pad on page 49](#).

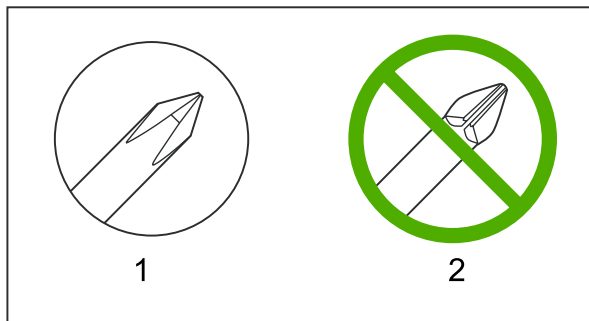
## Required tools

- #2 Phillips screwdriver with a magnetic tip and a 152-mm (6-inch) shaft length
- Small flatblade screwdriver
- #8 torx driver
- Needle-nose pliers
- ESD mat (if one is available)
- Penlight (optional)



**CAUTION** Always use a Phillips screwdriver (callout 1). Do not use a pozidrive screwdriver (callout 2) or any motorized screwdriver. These can damage screws or screw threads.

**CAUTION** Do *not* pull directly on the wires to disconnect them. *Always* pull on the plastic body of a connector to avoid damaging the connector wires.



**Figure 5-1** Phillips and pozidrive screwdriver comparison

## Before performing service

- Remove all media from the all-in-one.
- Turn off the power using the power switch.
- Unplug the power cable and interface cable(s).
- Place the all-in-one on an ESD mat (if one is available). If an ESD workstation or mat is not available, ground yourself by touching the sheet-metal chassis *before* touching an ESD-sensitive part.
- Remove the print cartridge. See [Remove the print cartridge on page 113](#).
- Remove the tray 2 cassette.
- Lift the all-in-one off of the optional tray 3 (if it is installed).

## After performing service

- Return all media to the trays.
- Plug in the power cable.
- Reinstall the print cartridge.
- Reinstall the tray 2 cassette.
- Replace the all-in-one on the optional tray 3 (if present).

## Post-service tests

After service has been completed, the following tests can be used to verify that the repair or replacement was successful.

### Test 1 (print-quality test)

1. Verify that you have completed the necessary reassembly steps.
2. Ensure that the input tray contains clean, unmarked paper.
3. Attach the power cord and interface cable, and then turn on the all-in-one.
4. Verify that the expected start-up sounds occur.
5. Perform a control-panel test from the secondary service menu. Verify that the control-panel buttons beep when they are pressed.



---

**NOTE** If the control-panel buttons do not beep, verify that the user did not disable this function.

---

6. Print a configuration page, and then verify that the expected printing sounds occur.
7. Print a demo page, and then verify that the print quality is as expected.
8. Send a print job from the host computer, and then verify that the output meets expectations.
9. If necessary, restore any customer-specified settings.
10. Clean the outside of the all-in-one with a damp cloth.

### Test 2 (copy-quality test)

1. Verify that you have completed the necessary reassembly steps.
2. Ensure that the input tray contains clean, unmarked paper.
3. Attach the power cord and interface cable, and then turn on the all-in-one.
4. Verify that the expected start-up sounds occur.
5. Print a configuration page, and then verify that the expected printing sounds occur.
6. Place the configuration page in the ADF.
7. Print a copy job, and then verify the results.



8. Place the configuration page on the scanner glass.
9. Print a copy job, and then verify the results.
10. Clean the outside of the all-in-one with a damp cloth.

### **Test 3 (fax-quality test)**

1. Place the configuration page in the ADF.
2. Type a valid fax number and send the fax job.
3. Verify that the send quality and receive quality meet expectations.

## Parts removal order

Use the following diagram to determine which parts must be removed before removing other parts.

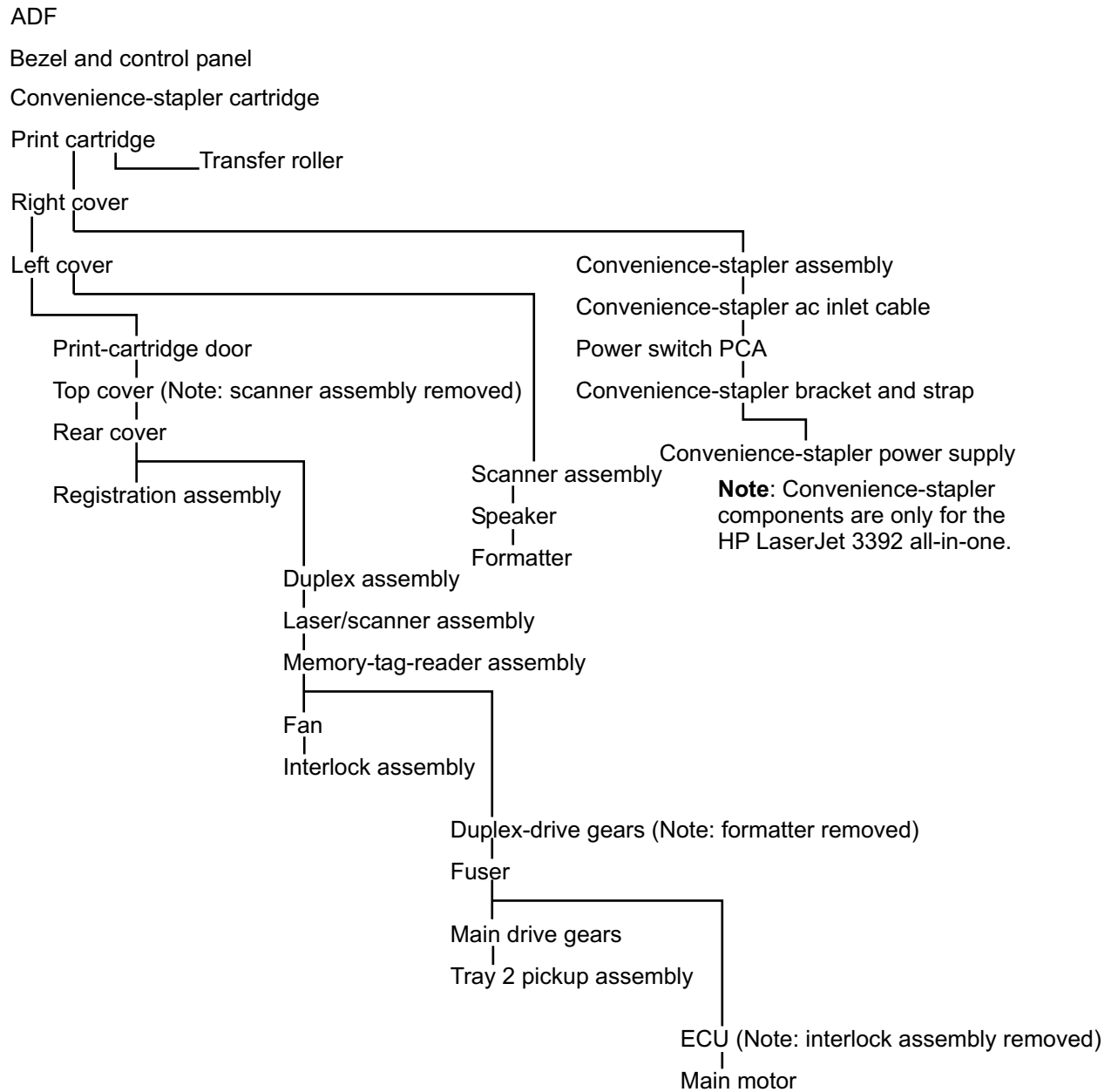


Figure 5-2 Parts-removal tree

## Remove the print cartridge



**CAUTION** If toner gets on your clothing, wipe it off with a dry cloth and wash the clothing in cold water. *Hot water sets toner into the fabric.*

1. Open the print-cartridge door.



**Figure 5-3** Remove the print cartridge (1 of 2)

2. Grasp the print cartridge and remove it from the all-in-one.



**Figure 5-4** Remove the print cartridge (2 of 2)

## External panels, covers, and doors

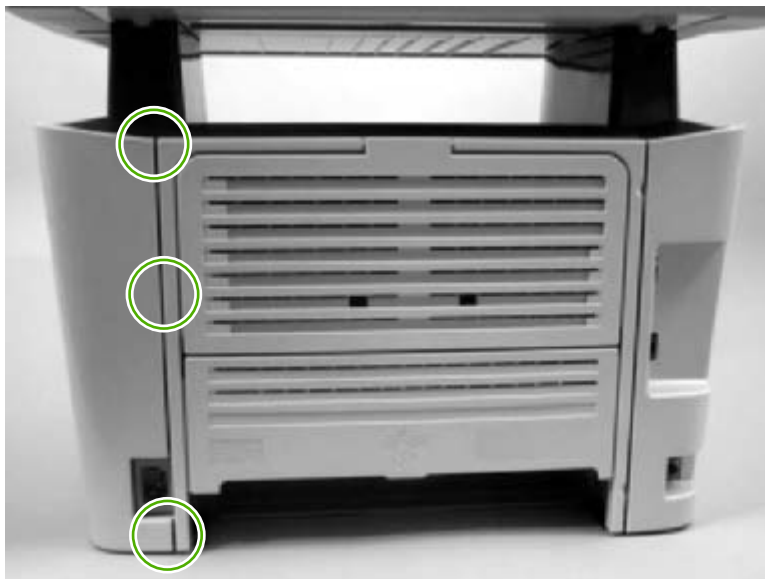
### Right cover

1. Remove the staple cassette.



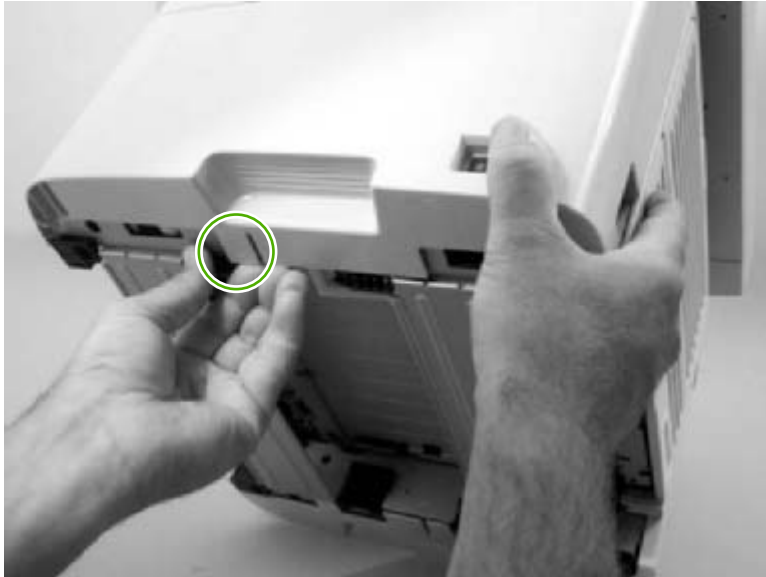
**Figure 5-5** Remove the right cover (1 of 4)

2. Use a small flatblade screwdriver to release three tabs at the rear of the right cover.



**Figure 5-6** Remove the right cover (2 of 4)

3. Release one tab at the bottom of the cover.



**Figure 5-7** Remove the right cover (3 of 4)

4. Rotate the back of the cover away from the all-in-one, and then slide it forward to remove it



**Figure 5-8** Remove the right cover (4 of 4)

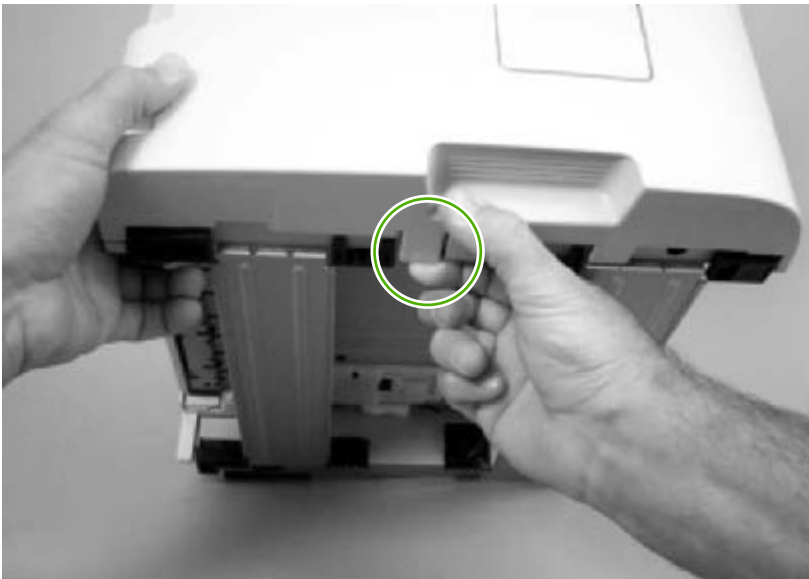
## Left cover

1. Open the print-cartridge door and use a small flatblade screwdriver to release one tab at the front of the left cover.



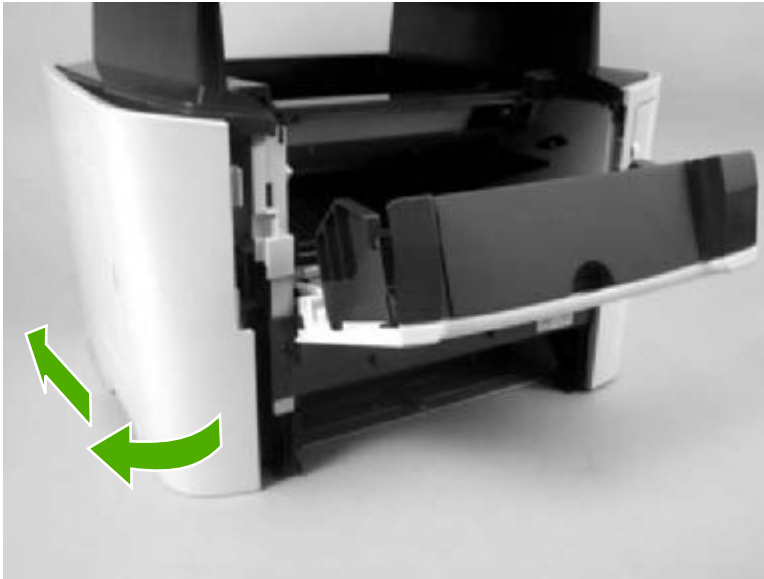
**Figure 5-9** Remove the left cover (1 of 3)

2. Release one tab at the bottom of the cover.



**Figure 5-10** Remove the left cover (2 of 3)


3. Rotate the front of the cover away from the all-in-one, and then slide it backwards to remove it.

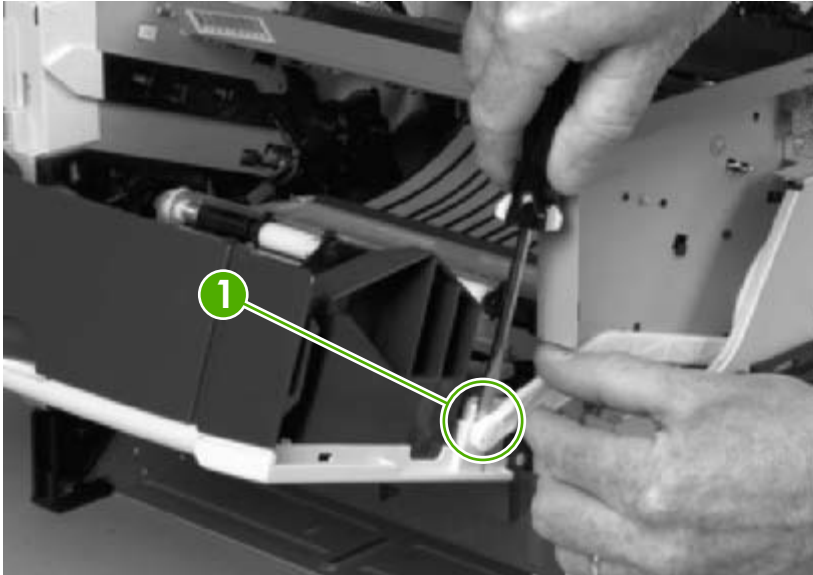


**Figure 5-11** Remove the left cover (3 of 3)

## Print-cartridge door

1. Remove the following components.
  - Right cover. See [Right cover on page 114](#).
  - Left cover. See [Left cover on page 116](#).
2. Open the print-cartridge door, and use a flatblade screwdriver to gently pry the cartridge-door arm (callout 1) off of the print-cartridge door.

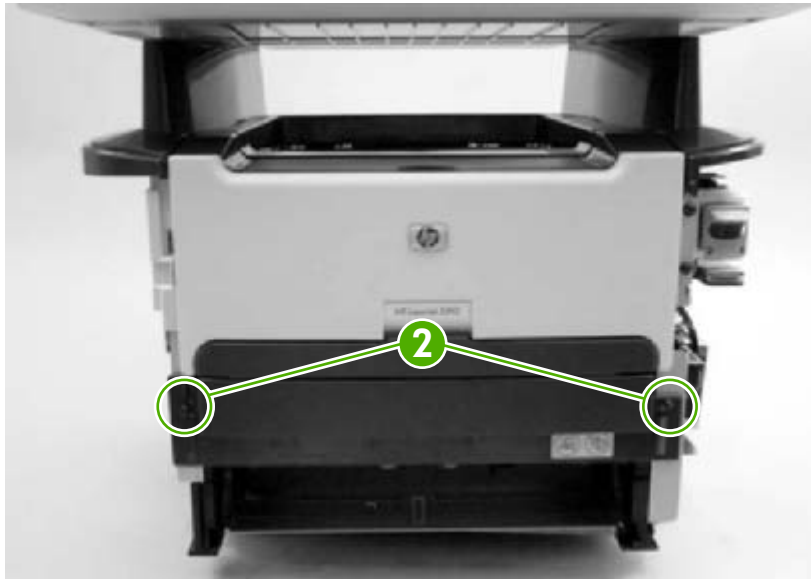
 **CAUTION** Be careful not to break the tabs or the cartridge-door arm.



**Figure 5-12** Removing the print-cartridge door (1 of 2)



3. Close the print-cartridge door and remove two screws (callout 2).



**Figure 5-13** Removing the print-cartridge door (2 of 2)

4. Lift the cartridge-door assembly straight away from the all-in-one.

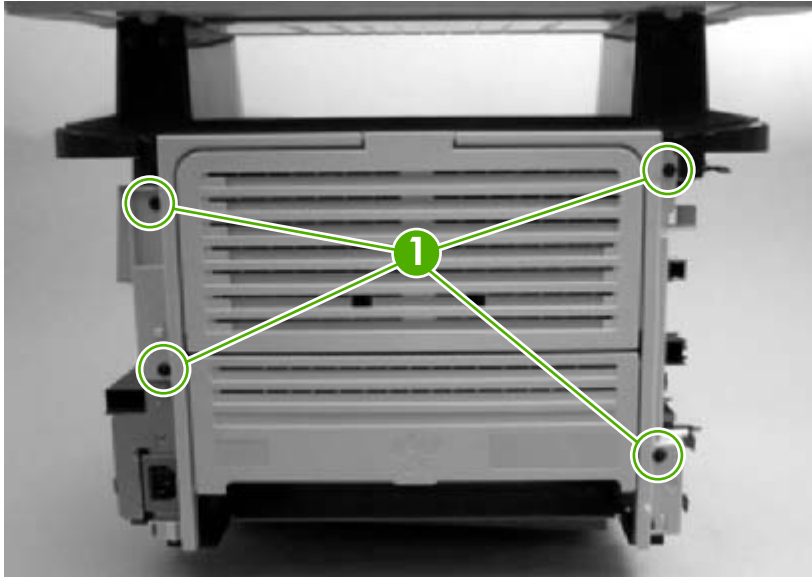


**Hint** Make sure that the priority input slot (tray 1) countermeasure clip is seated correctly in front of the hinge.



## Rear cover

1. Remove the following components.
  - Right cover. See [Right cover on page 114](#).
  - Left cover. See [Left cover on page 116](#).
2. Remove four screws (callout 1).

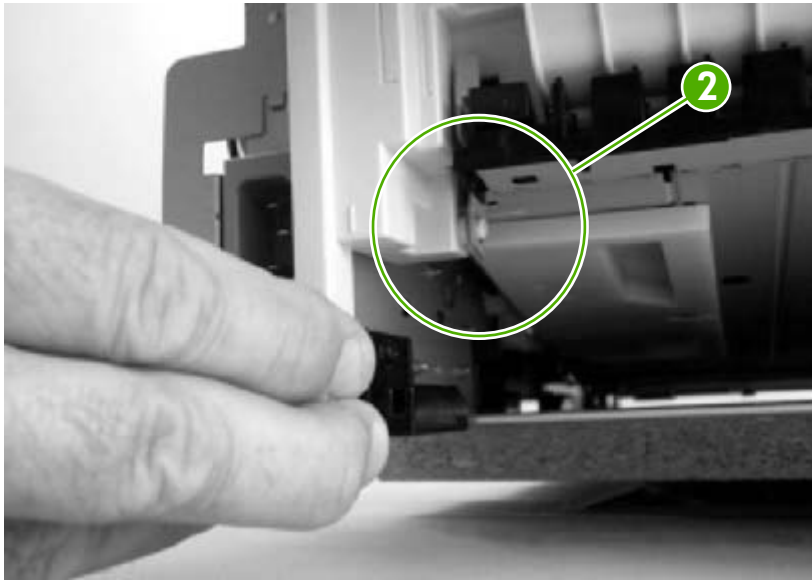


**Figure 5-14** Remove the rear cover (1 of 2)



**Hint** When the rear cover is reinstalled, make sure that the fuser exit sensor flag is positioned in the opening in the cover.

3. Use a small flatblade screwdriver to release the duplex-drive assembly hinge (callout 2) at the power-plug side of the assembly and separate the rear cover from the all-in-one to remove it.



**Figure 5-15** Remove the rear cover (2 of 2)

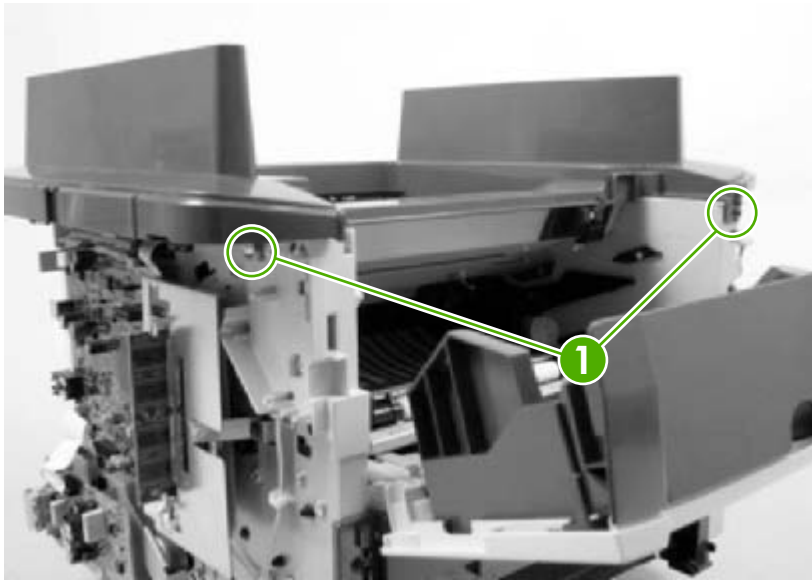


**Hint** When you reinstall the rear cover, make sure that the sensor flag is placed through the opening in the cover.



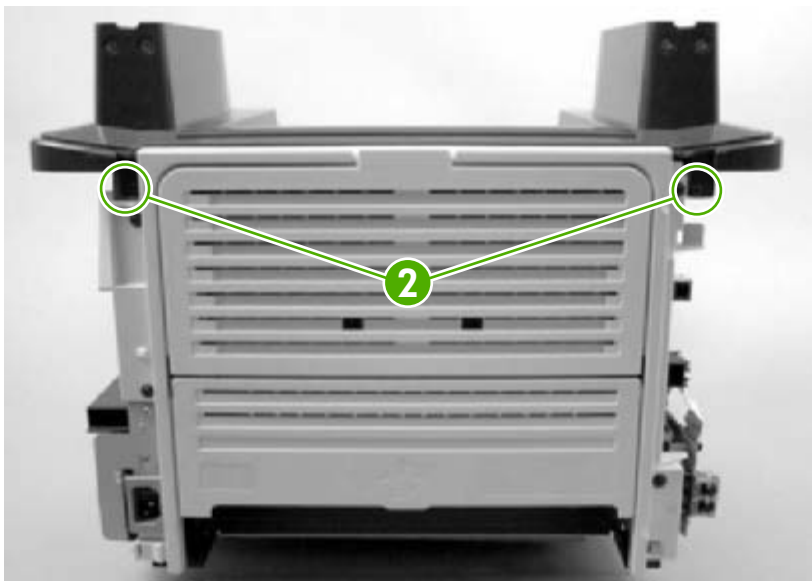
## Top cover

1. Remove the following components.
  - Right cover. See [Right cover on page 114](#).
  - Left cover. See [Left cover on page 116](#).
  - Scanner assembly. See [Scanner/ADF assembly on page 129](#).
2. Open the print-cartridge door and loosen, but do *not* remove, two screws (callout 1).



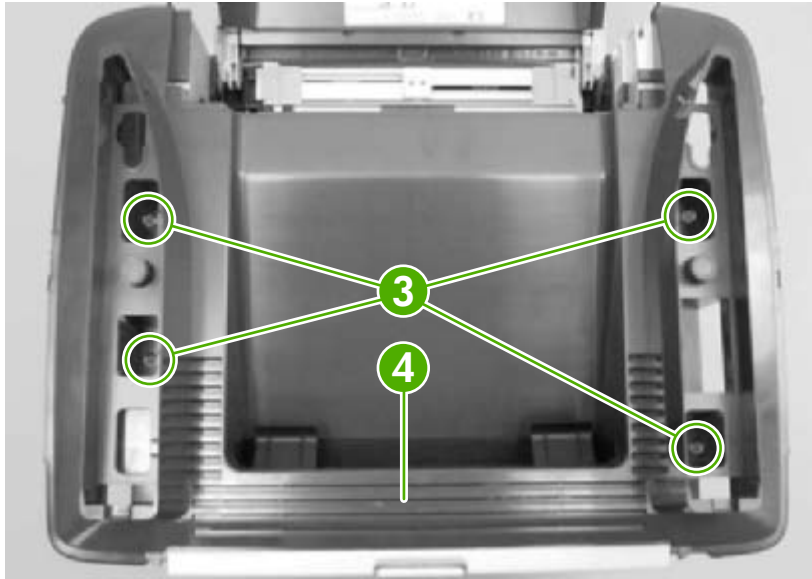
**Figure 5-16** Remove the top cover (1 of 3)

3. Remove two screws (callout 2) from the back of the all-in-one.



**Figure 5-17** Remove the top cover (2 of 3)

4. Remove four screws (callout 3), and then lift up on the top cover (callout 4) to remove it.



**Figure 5-18** Remove the top cover (3 of 3)

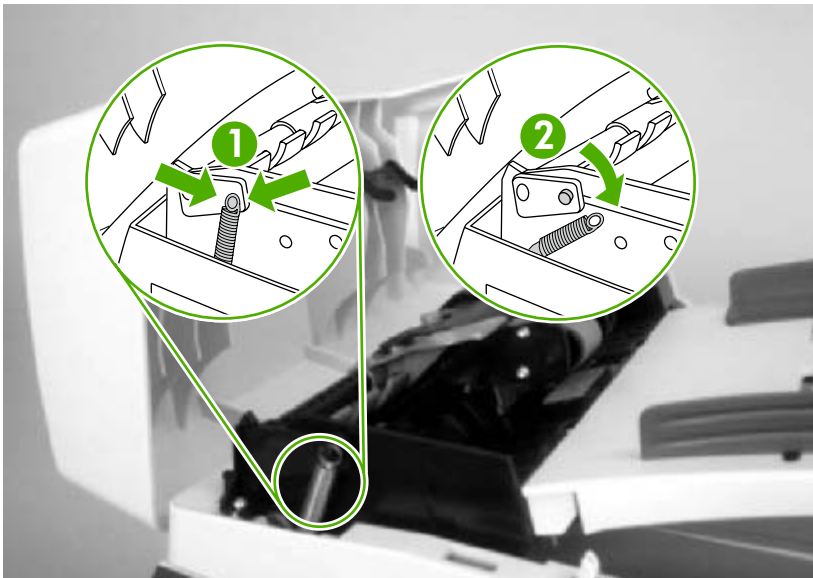
## Replacing the ADF pickup-roller assembly

1. Open the ADF cover.



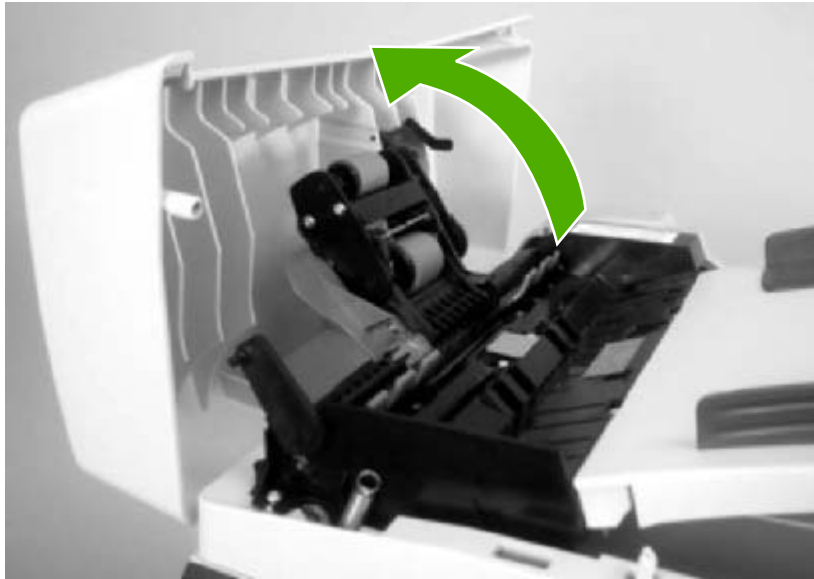
**Figure 5-19** Replacing the ADF pickup-roller assembly (1 of 6)

2. Release the ADF pickup-roller torsion spring.



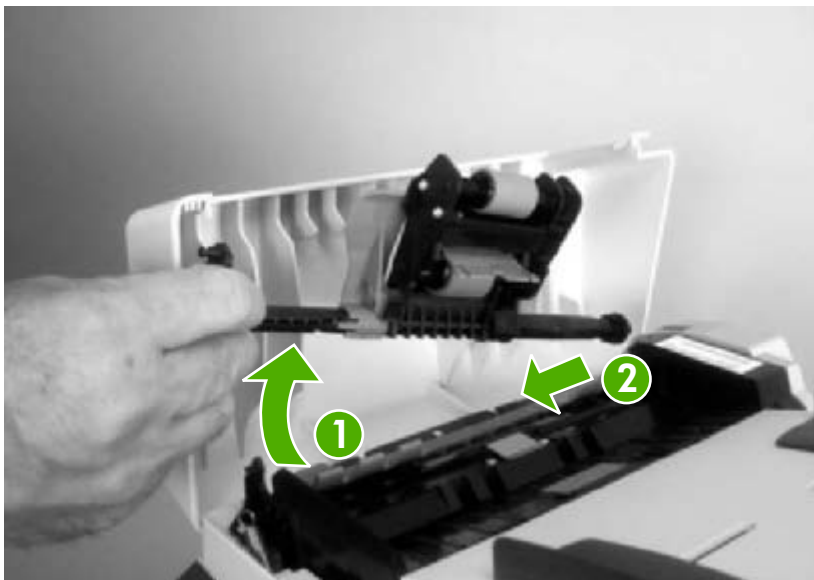
**Figure 5-20** Replacing the ADF pickup-roller assembly (2 of 6)

3. Lift up the ADF pickup-roller assembly.



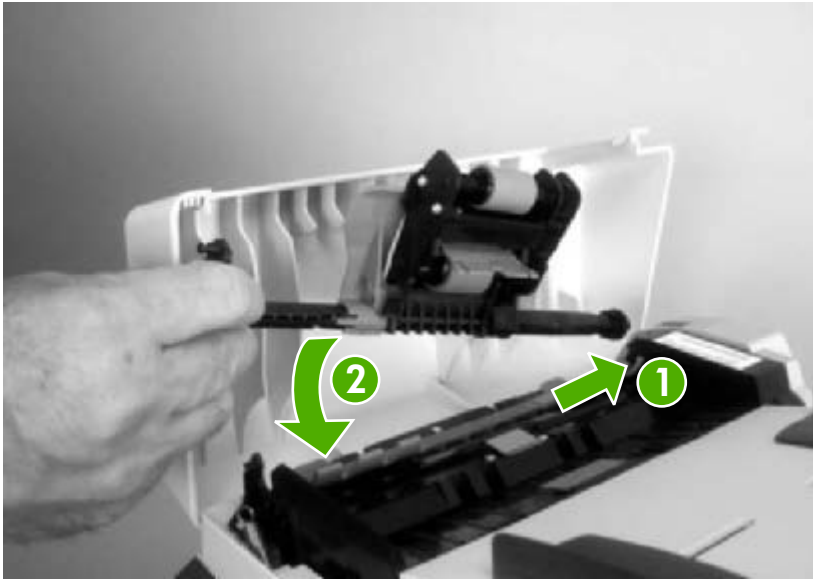
**Figure 5-21** Replacing the ADF pickup-roller assembly (3 of 6)

4. Rotate the end of the assembly away from the ADF and then slide it out of the ADF to remove the assembly.



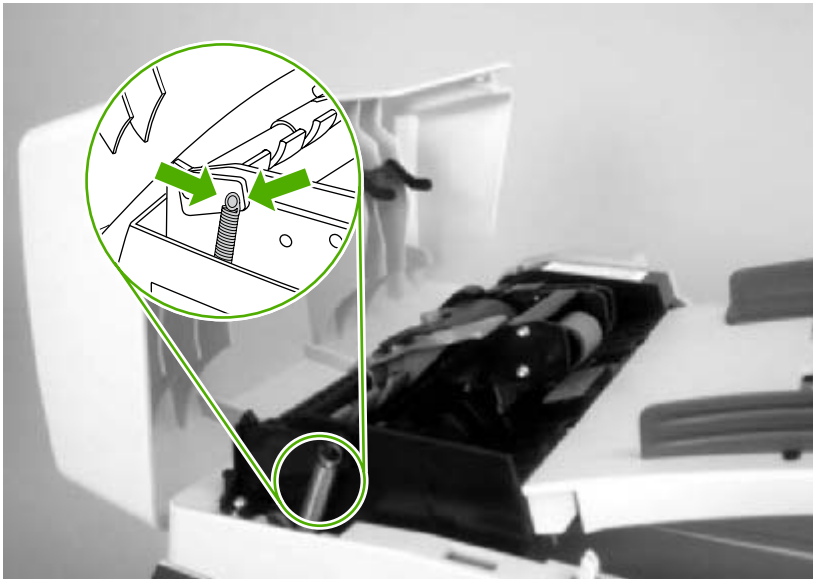
**Figure 5-22** Replacing the ADF pickup-roller assembly (4 of 6)

5. Install the replacement assembly.



**Figure 5-23** Replacing the ADF pickup-roller assembly (5 of 6)

6. Reattach the ADF pickup-roller tension spring and close the ADF cover.



**Figure 5-24** Replacing the ADF pickup-roller assembly (6 of 6)



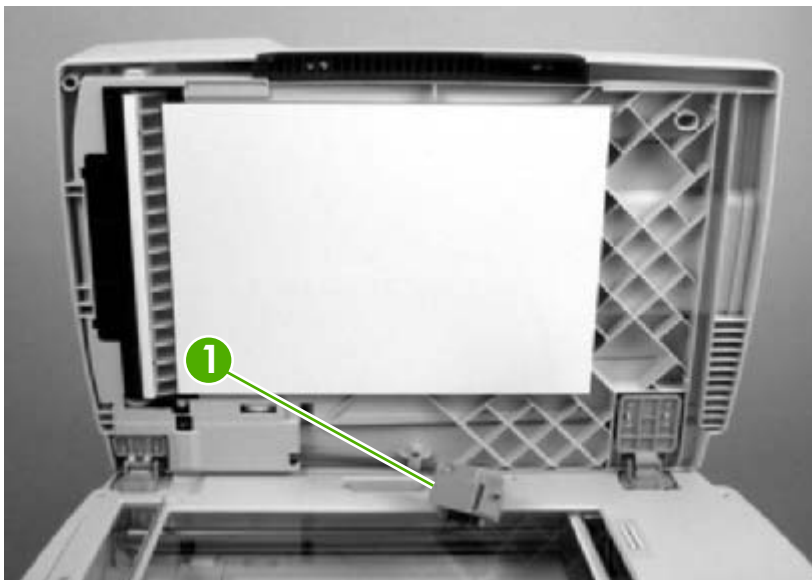
## ADF assembly

1. Open the scanner cover (the scanner cover contains the ADF assembly).



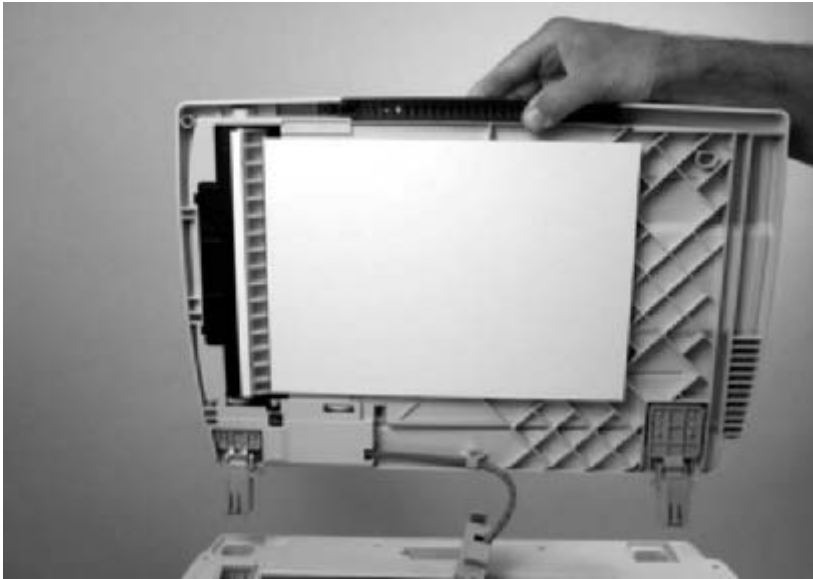
**Figure 5-25** Remove the ADF assembly (1 of 3)

2. Squeeze the locking tabs on the ADF wire-harness plug (callout 1), and disconnect the plug from the flatbed.



**Figure 5-26** Remove the ADF assembly (2 of 3)


3. Lift the scanner cover (containing the ADF assembly) straight up and off of the flatbed.

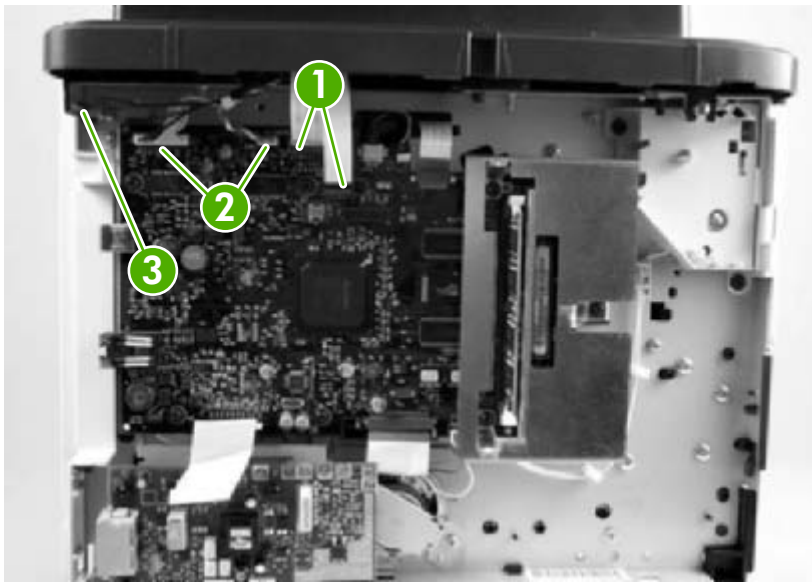


**Figure 5-27** Remove the ADF assembly (3 of 3)

## Scanner/ADF assembly

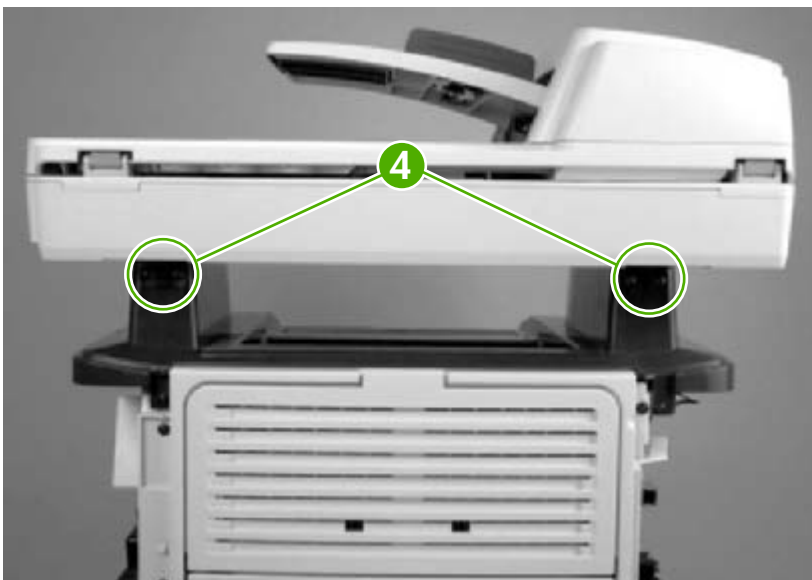
1. Remove the left cover. See [Left cover on page 116](#).
2. Disconnect two FFC connectors (callout 1; J1 and J4), and two wire-harness connectors (callout 2; J2 and P2) from the formatter. Disconnect one ground-wire terminal lug (callout 3) from the all-in-one chassis.

 **CAUTION** Do not bend or fold the flat flexible cables (FFCs) during removal or installation. Also, do not straighten pre-folds in the FFCs. You *must* make sure that all FFCs are fully seated in their connectors. Failure to fully seat an FFC into a connector can cause a short circuit in a PCA.



**Figure 5-28** Remove the scanner/ADF assembly (1 of 3)

3. Remove four screws (callout 4).



**Figure 5-29** Remove the scanner/ADF assembly (2 of 3)

4. Slide the scanner/ADF assembly toward the front of the base unit, and then lift it up to remove it.

---

**WARNING!** The scanner cover (which contains the ADF assembly) is not captive when the scanner assembly is removed. The scanner cover can suddenly open and be damaged when you are handling the scanner assembly. You *must* keep the scanner assembly level to make sure that the scanner cover (ADF assembly) does not open.

---

**CAUTION** Make sure that you carefully pass the scanner wire-harnesses through the opening in the top cover. The connectors can be damaged if they become caught on the top cover.

---



**Figure 5-30** Remove the scanner/ADF assembly (3 of 3)

## Bezel and control panel

1. Gently pry up on the corner of the control-panel bezel and carefully lift it up and off of the control panel to remove it.



**NOTE** If you are only replacing the bezel, you can disregard the remaining steps in this procedure. Use the following steps if you are also replacing the control panel.



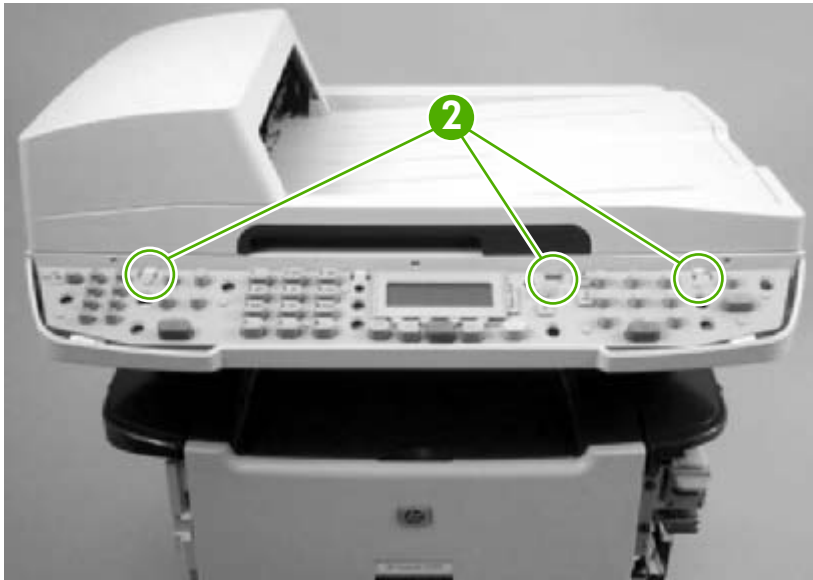
**Figure 5-31** Remove the bezel and control panel (1 of 4)

2. Remove one screw (callout 1).



**Figure 5-32** Remove the bezel and control panel (2 of 4)

3. Use a small flatblade screwdriver to release the three locking tabs (callout 2) along the top of the control panel.

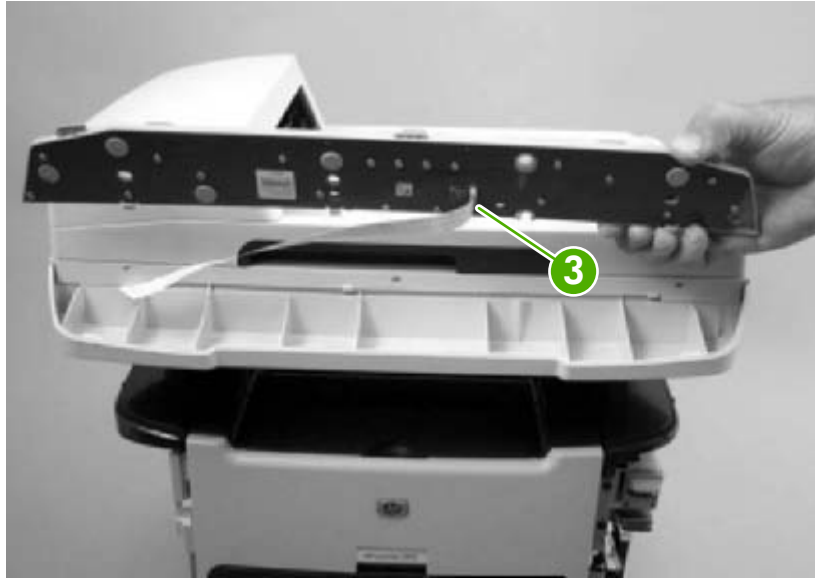


**Figure 5-33** Remove the bezel and control panel (3 of 4)

4. Turn the control panel over and disconnect one FFC (callout 3).



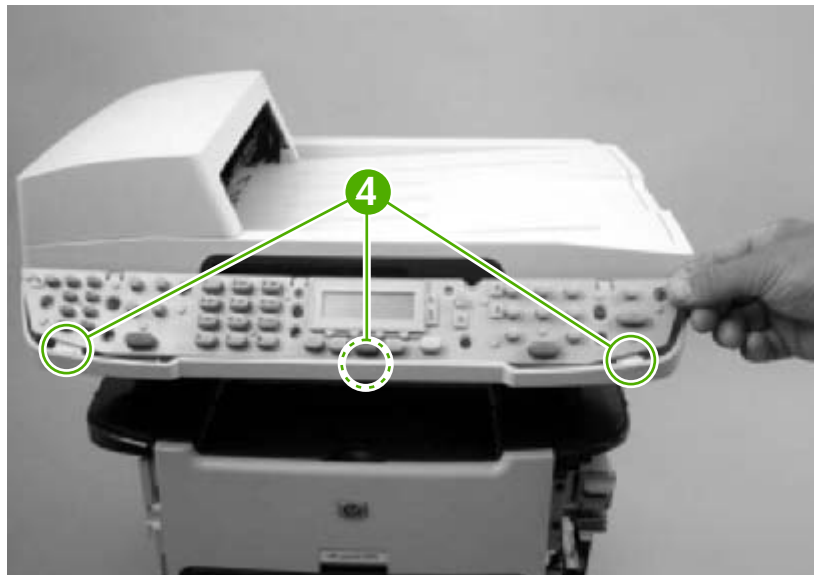
**CAUTION** Do not bend or fold the flat flexible cables (FFCs) during removal or installation. Also, do not straighten pre-folds in the FFCs. You *must* make sure that all FFCs are fully seated in their connectors. Failure to fully seat an FFC into a connector can cause a short circuit in a PCA.



**Figure 5-34** Remove the bezel and control panel (4 of 4)



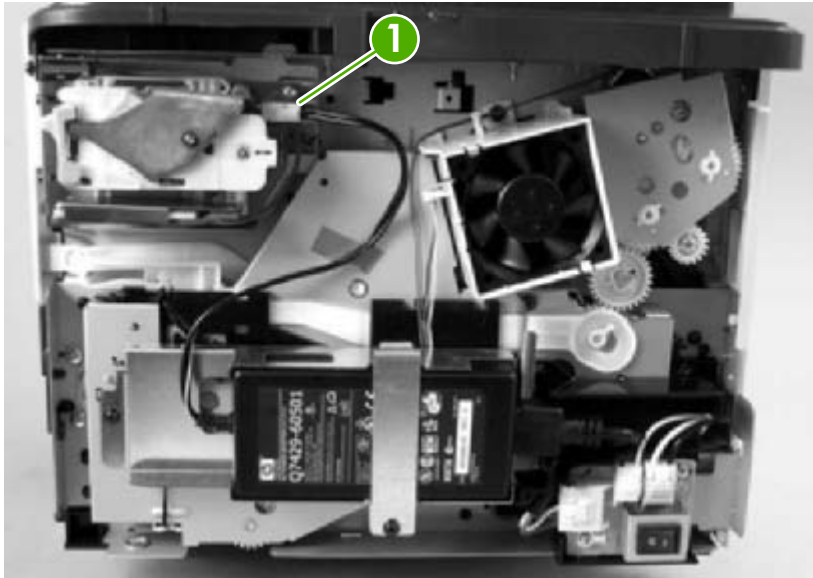
**Hint** When you reinstall the control panel, make sure that the tabs at the bottom of the panel (callout 4) fit underneath the retainers in the scanner body.



## Internal assemblies

### Convenience-stapler assembly (HP LaserJet 3392 only)

1. Remove the right cover. See [Right cover on page 114](#).
2. Disconnect one connector (callout 1).



**Figure 5-35** Remove the convenience-stapler assembly (1 of 2)



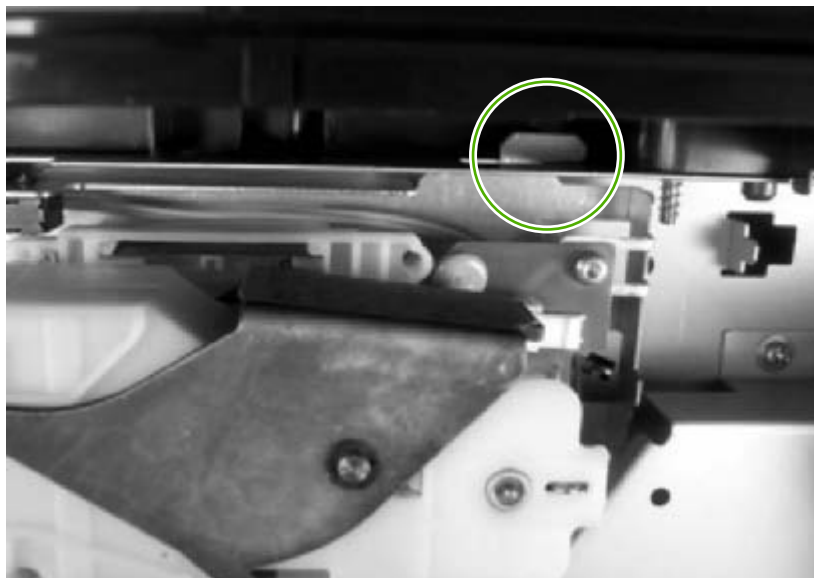
3. Remove two screws (callout 2), and separate the stapler assembly from the chassis to remove it.



**Figure 5-36** Remove the convenience-stapler assembly (2 of 2)

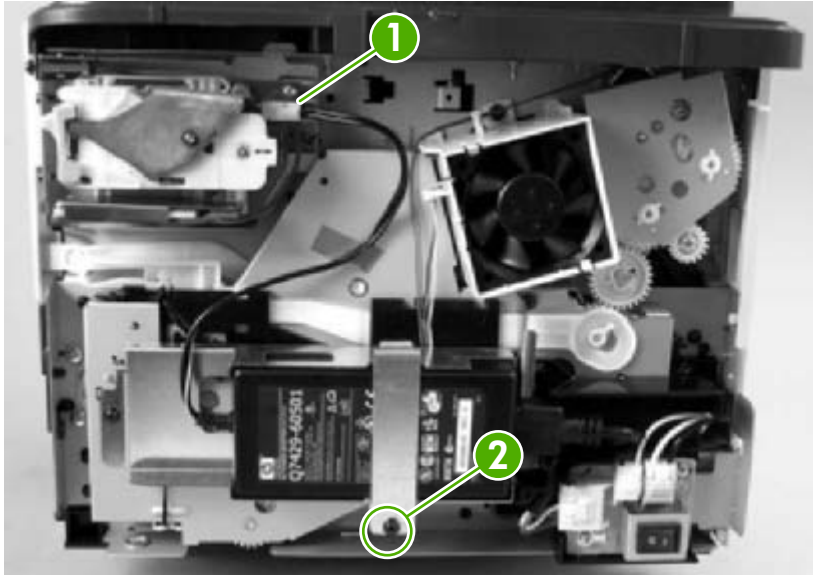


**Hint** When you reinstall the convenience-stapler assembly, make sure that the hook on the top of the assembly bracket fits into the slot on the all-in-one chassis.



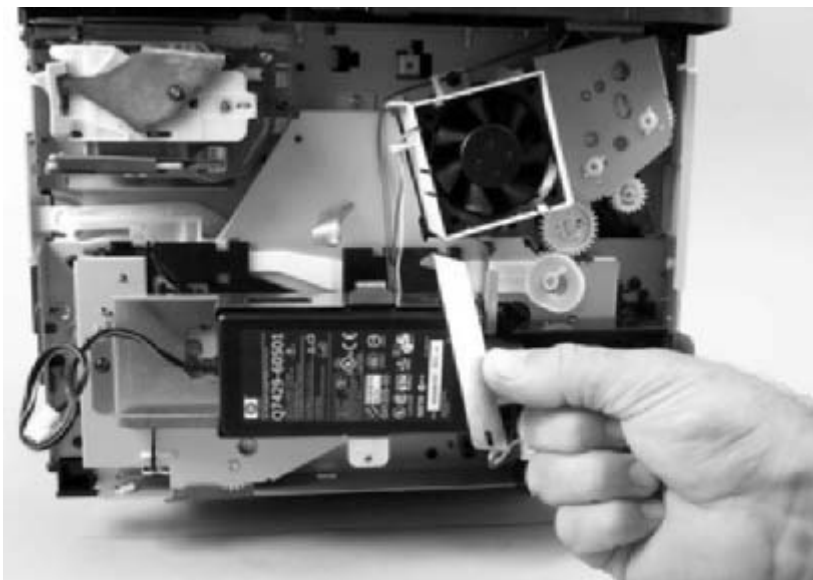
## Convenience-stapler power supply (HP LaserJet 3392 only)

1. Remove the right cover. See [Right cover on page 114](#).
2. Disconnect one connector (callout 1) at the convenience-stapler assembly, and remove one screw (callout 2).



**Figure 5-37** Remove the convenience-stapler power assembly (1 of 3)

3. Remove the sheet-metal strap, and separate the convenience-stapler power supply from the chassis.



**Figure 5-38** Remove the convenience-stapler power assembly (2 of 3)

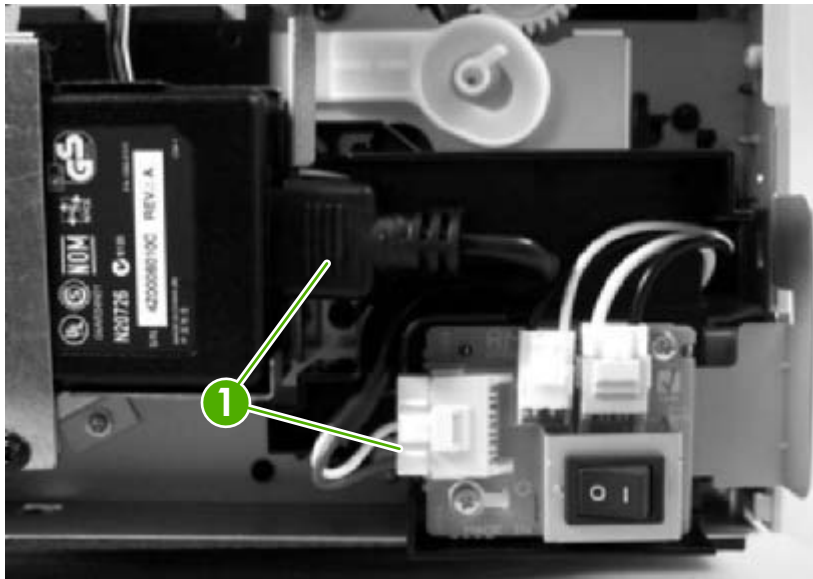
4. Disconnect one connector and remove the convenience-stapler power supply.



**Figure 5-39** Remove the convenience-stapler power assembly (3 of 3)

## Convenience-stapler ac inlet cable (HP LaserJet 3392 only)

1. Remove the right cover. See [Right cover on page 114](#).
2. Disconnect two connectors (callout 1) to remove the convenience-stapler ac inlet cable.



**Figure 5-40** Remove the convenience-stapler ac inlet cable

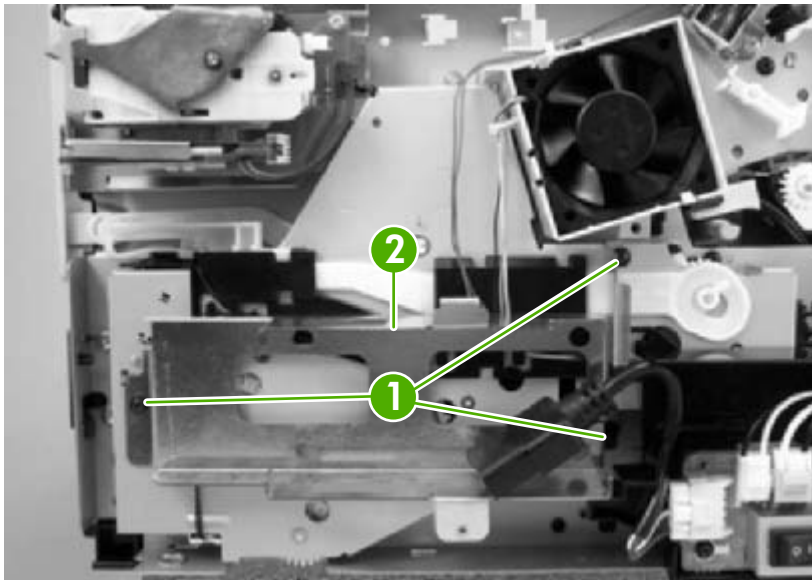
## Convenience-stapler power supply bracket and strap (HP LaserJet 3392 only)

1. Remove the following components.
  - Right cover. See [Right cover on page 114](#).
  - Convenience-stapler power supply (HP LaserJet 3392 only). See [Convenience-stapler power supply \(HP LaserJet 3392 only\) on page 136](#).



**NOTE** When you remove the convenience-stapler power supply, you also remove the sheet-metal strap.

2. Remove three screws (callout 1) and separate the sheet-metal bracket (callout 2) from the all-in-one chassis to remove it.



**Figure 5-41** Remove the convenience-stapler bracket and strap

## Speaker

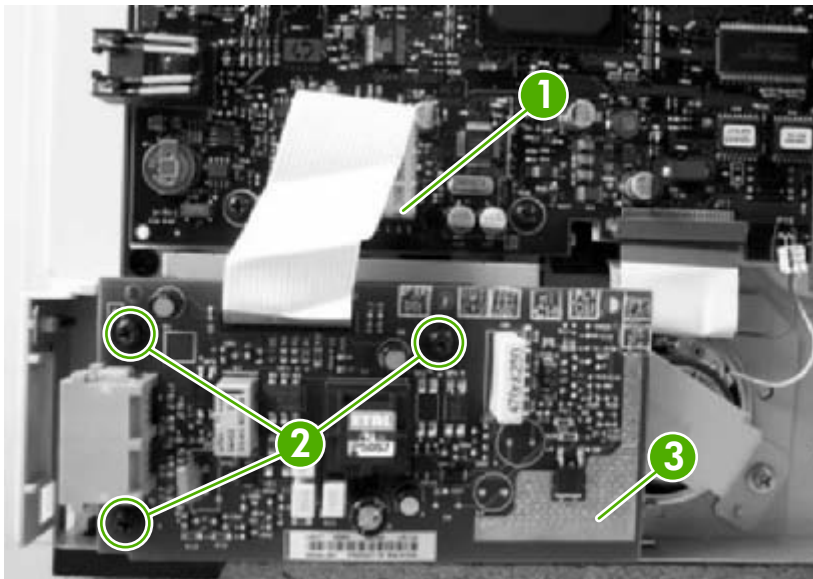
1. Remove the left cover. See [Left cover on page 116](#).
2. Disconnect one FFC (callout 1; J1) from the line interface unit (LIU), remove three screws (callout 2), and remove the LIU (callout 3).



**CAUTION** PCAs are sensitive to electrostatic discharge (ESD). Look for the ESD reminder when removing PCAs. Always perform service work at an ESD-protected workstation or mat. If an ESD workstation or mat is not available, ground yourself by touching the sheet-metal chassis *before* touching an ESD-sensitive part.

Protect the ESD-sensitive parts by placing them in ESD pouches when they are out of the all-in-one.

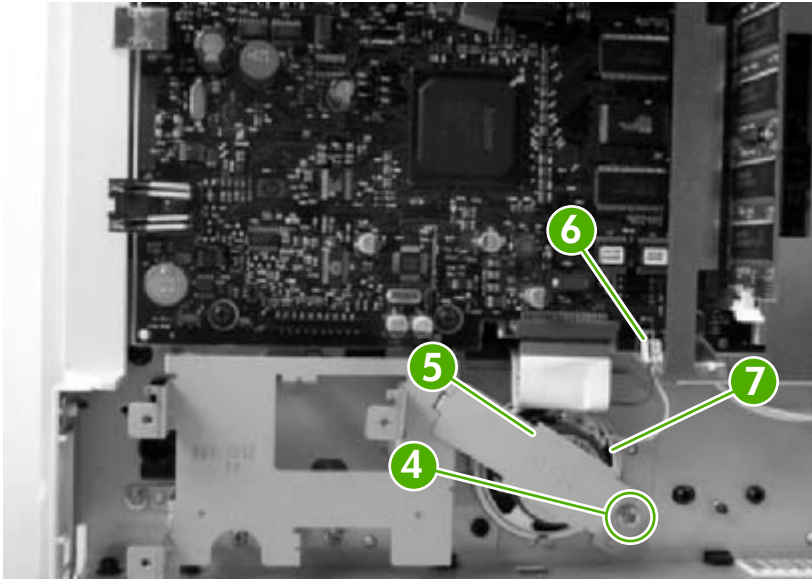
**CAUTION** Do not bend or fold the flat flexible cables (FFCs) during removal or installation. Also, do not straighten pre-folds in the FFCs. You *must* make sure that all FFCs are fully seated in their connectors. Failure to fully seat an FFC into a connector can cause a short circuit in a PCA.



**Figure 5-42** Remove the speaker (1 of 2)

3. Remove one screw (callout 4) and the metal plate (callout 5).

4. Disconnect one connector (callout 6) and separate the speaker (callout 7) from the all-in-one to remove it.



**Figure 5-43** Remove the speaker (2 of 2)

## Power-switch PCA

1. Remove the right cover. See [Right cover on page 114](#).
2. Disconnect two connectors (callout 1) and remove two screws (callout 2).



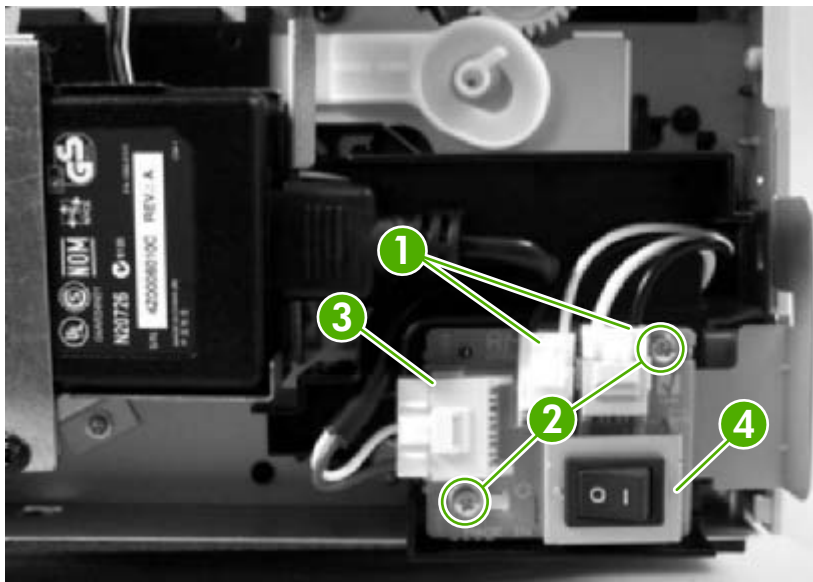
**NOTE** For the HP LaserJet 3392, disconnect one additional connector (callout 3).

3. Separate the power-switch PCA (callout 4) from the all-in-one to remove it.



**CAUTION** PCAs are sensitive to electrostatic discharge (ESD). Look for the ESD reminder when removing PCAs. Always perform service work at an ESD-protected workstation or mat. If an ESD workstation or mat is not available, ground yourself by touching the sheet-metal chassis *before* touching an ESD-sensitive part.

Protect the ESD-sensitive parts by placing them in ESD pouches when they are out of the all-in-one.



**Figure 5-44** Remove the power-switch PCA (HP LaserJet 3392 shown)



## Formatter



**CAUTION** PCAs are sensitive to electrostatic discharge (ESD). Look for the ESD reminder when removing PCAs. Always perform service work at an ESD-protected workstation or mat. If an ESD workstation or mat is not available, ground yourself by touching the sheet-metal chassis *before* touching an ESD-sensitive part.

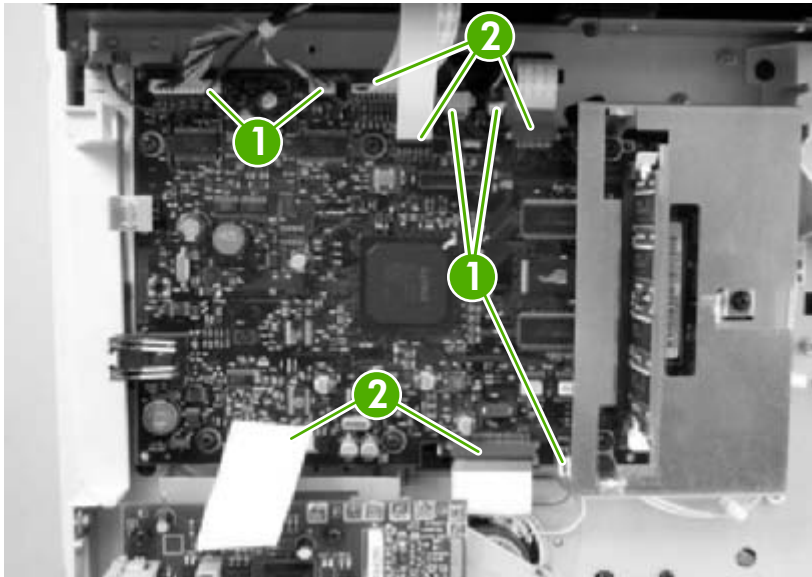
Protect the ESD-sensitive parts by placing them in ESD pouches when they are out of the all-in-one.

**CAUTION** Do not bend or fold the flat flexible cables (FFCs) during removal or installation. Also, do not straighten pre-folds in the FFCs. You *must* make sure that all FFCs are fully seated in their connectors. Failure to fully seat an FFC into a connector can cause a short circuit in a PCA.

1. Remove the left cover. See [Left cover on page 116](#).
2. Disconnect five connectors (callout 1; P2, J2, P14, P13, P15) and five FFCs (callout 2; J4, J1, J10, J11, J7).

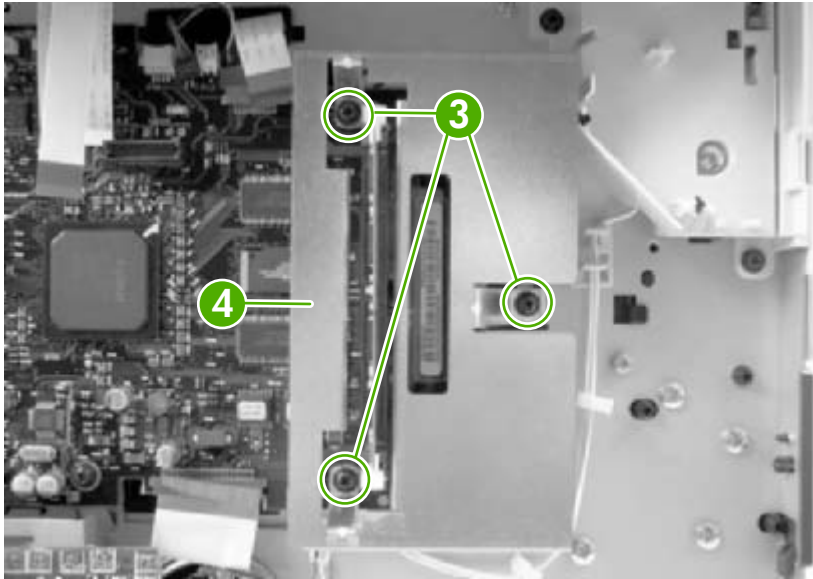


**CAUTION** The connector at PCA location P13 is very fragile and can be easily damaged. Be very careful when disconnecting this connector.



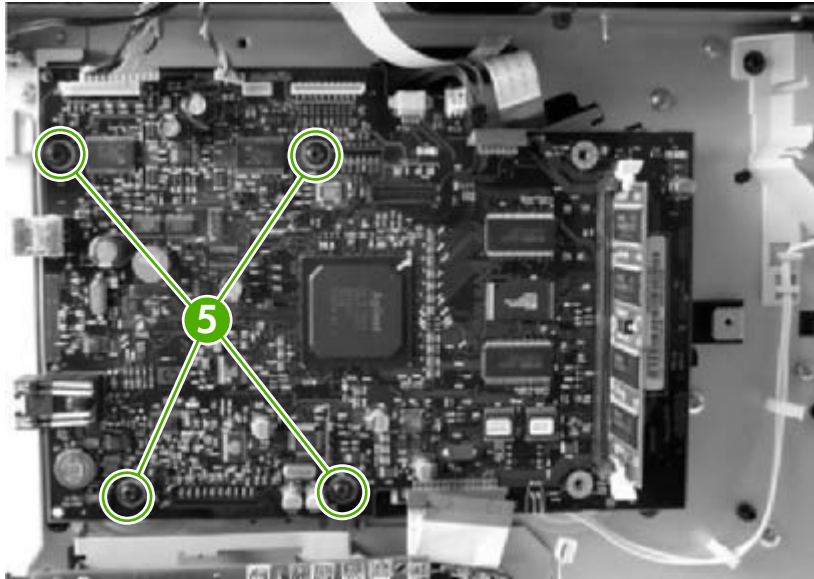
**Figure 5-45** Remove the formatter (1 of 3)

3. Remove three screws (callout 3) and the sheet-metal cover (callout 4).



**Figure 5-46** Remove the formatter (2 of 3)

4. Remove four screws (callout 5), and separate the formatter from the all-in-one to remove it.



**Figure 5-47** Remove the formatter (3 of 3)



**CAUTION** Make sure that you install the protective sheet behind the formatter when you reinstall it. Failure to install the protective sheet might cause a short circuit in and damage to the formatter.

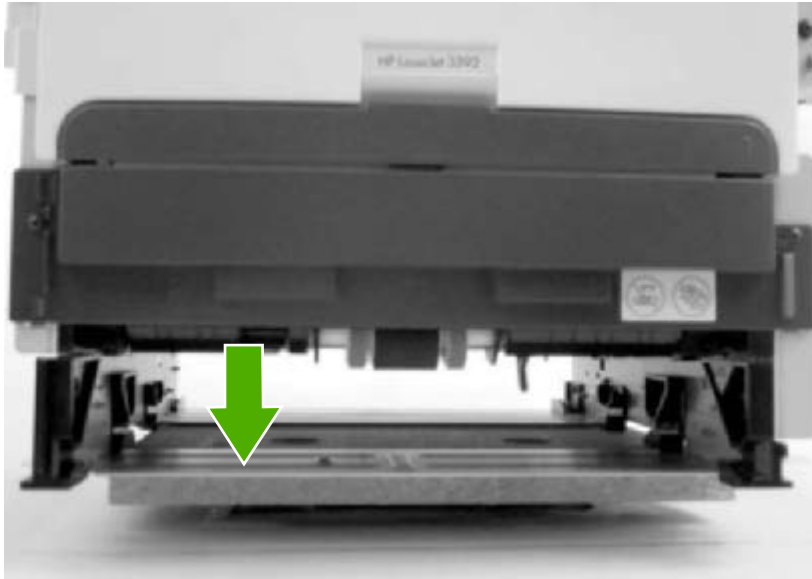


**Hint** It might be easier to thread the wide-scanner FFC through the ferrite at the top of the formatter PCA if you first remove the ferrite from the chassis.



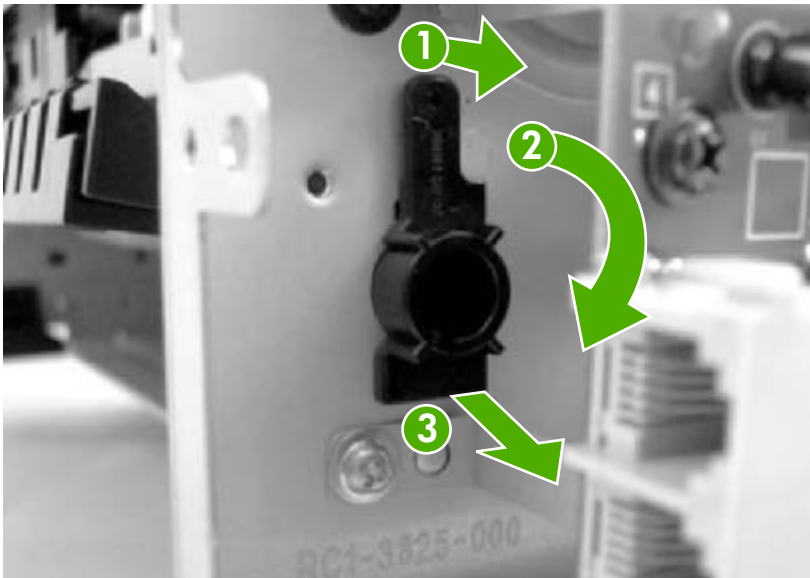
## Duplex assembly

1. Remove the following components.
  - Right cover. See [Right cover on page 114](#).
  - Left cover. See [Left cover on page 116](#).
  - Rear cover. See [Rear cover on page 120](#).
2. Push down on the green lever at the front of the all-in-one to unlock and lower the duplex assembly.



**Figure 5-48** Remove the duplex assembly (1 of 3)

3. Use a small flatblade screwdriver to release the locking tab on the duplex assembly hinge (the tab is behind the LIU). Rotate the hinge toward the front of the front of the all-in-one until the tabs on the hinge align with the slots in the chassis, and then remove the hinge.



**Figure 5-49** Remove the duplex assembly (2 of 3)

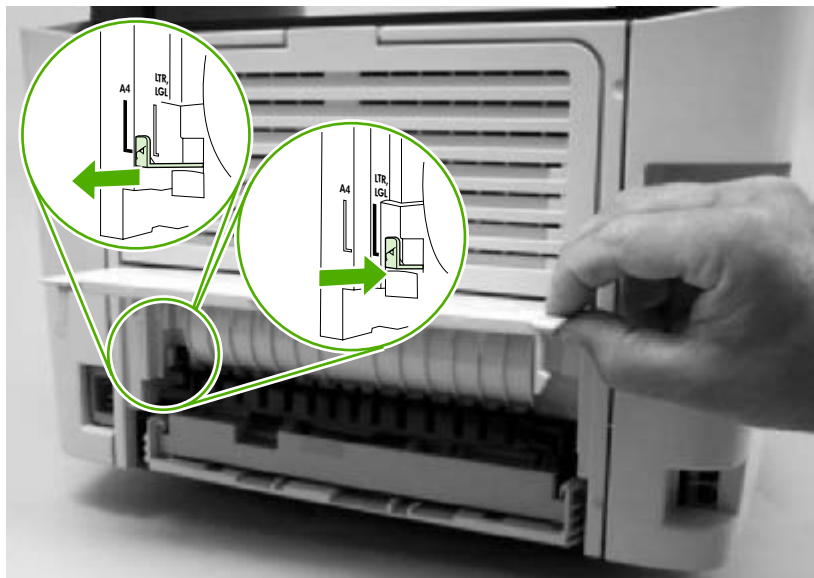
4. Pull the duplex assembly out through the rear of the all-in-one to remove it.



**Figure 5-50** Remove the duplex assembly (3 of 3)



**Hint** When you reinstall the duplex assembly, make sure that the size-selection switch is set correctly for the media size that is used in your country/region.



## Laser/scanner

---



**CAUTION** PCAs are sensitive to electrostatic discharge (ESD). Look for the ESD reminder when removing PCAs. Always perform service work at an ESD-protected workstation or mat. If an ESD workstation or mat is not available, ground yourself by touching the sheet-metal chassis *before* touching an ESD-sensitive part.

Protect the ESD-sensitive parts by placing them in ESD pouches when they are out of the all-in-one.

**CAUTION** Do not bend or fold the flat flexible cables (FFCs) during removal or installation. Also, do not straighten pre-folds in the FFCs. You *must* make sure that all FFCs are fully seated in their connectors. Failure to fully seat an FFC into a connector can cause a short circuit in a PCA.

---

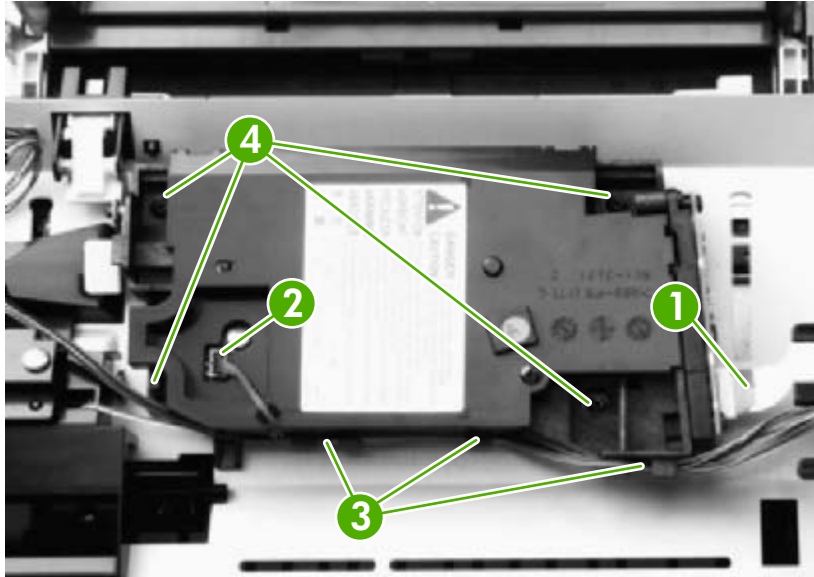
1. Remove the following components.
  - Right cover. See [Right cover on page 114](#).
  - Left cover. See [Left cover on page 116](#).
  - Rear cover. See [Rear cover on page 120](#).
  - Top cover. See [Top cover on page 122](#).
2. Disconnect one FFC (callout 1) from the laser/scanner PCA.
3. Disconnect one connector (callout 2) from the top of the laser/scanner.
4. Remove all of the wire-harnesses (callout 3) from the retainers.



**NOTE** Examine the cable routing as you remove the wire-harnesses.

---

5. Remove four screws (callout 4).



**Figure 5-51** Remove the laser/scanner assembly

6. Lift the laser/scanner out of the all-in-one.



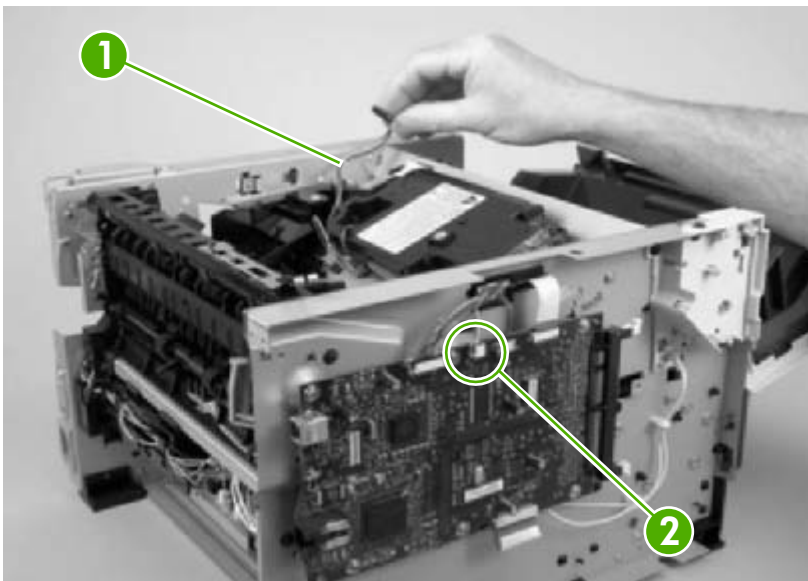
---

**NOTE** Examine the shutter switch placement as you lift the laser/scanner out of the all-in-one.

---

## Memory-tag-reader assembly

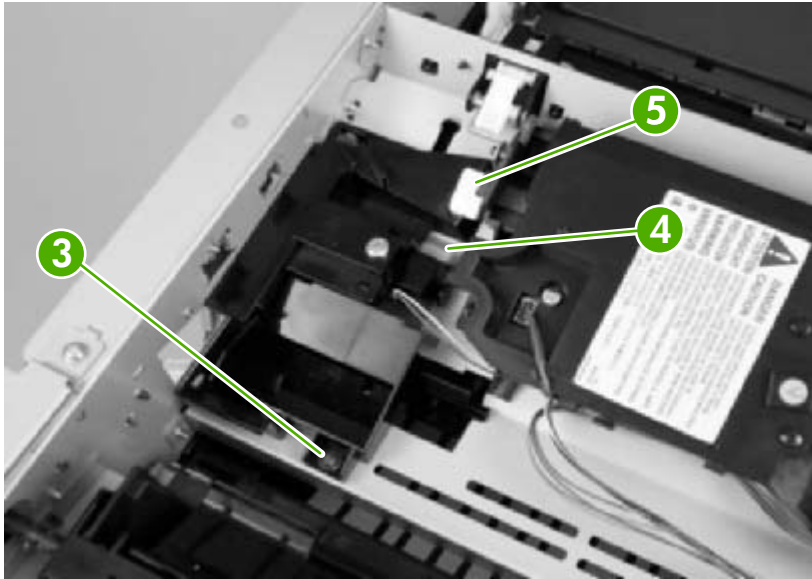
1. Remove the following components.
  - Right cover. See [Right cover on page 114](#).
  - Left cover. See [Left cover on page 116](#).
  - Rear cover. See [Rear cover on page 120](#).
  - Top cover. See [Top cover on page 122](#).
2. Remove the fan from the all-in-one chassis (see steps 3 and 4 of [Fan on page 152](#)).
3. Remove one cable (callout 1) from the cable-holder on top of the memory-tag-reader cover.
4. Disconnect one cable from the formatter (callout 2).



**Figure 5-52** Remove the memory-tag-reader assembly (1 of 2)



5. Remove one screw (callout 3).



**Figure 5-53** Remove the memory-tag-reader assembly (2 of 2)

6. Lift up slightly the back of the memory-tag-reader assembly and then slide the assembly toward the back of the all-in-one to release it from the laser/scanner plate.



---

**Hint** Make sure that the tab at the bottom of the assembly fits in the all-in-one chassis (callout 4) and that the front of the assembly is under the laser/scanner shutter (callout 5). See [Figure 5-53 Remove the memory-tag-reader assembly \(2 of 2\) on page 151](#).

---

## Fuser

Several parts must be removed before you can remove the fuser. Removal procedures for the following parts are included in this section about removing the fuser:

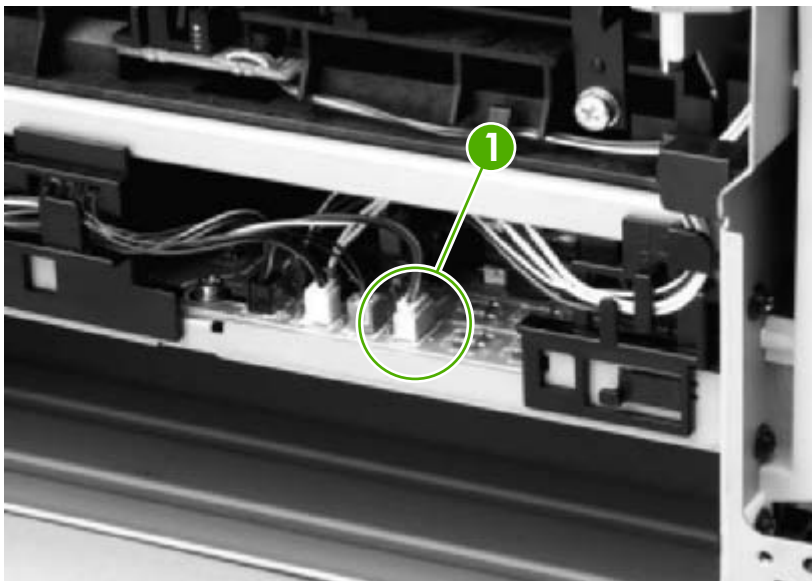
- Fan
- Duplex-drive gears
- Duplex solenoid

## Fan

1. Remove the following components.
  - Right cover. See [Right cover on page 114](#).
  - Left cover. See [Left cover on page 116](#).
  - Rear cover. See [Rear cover on page 120](#).
  - Top cover. See [Top cover on page 122](#).
  - Convenience-stapler power supply. See [Convenience-stapler power supply \(HP LaserJet 3392 only\) on page 136](#).
  - Convenience-stapler power supply bracket. See [Convenience-stapler power supply bracket and strap \(HP LaserJet 3392 only\) on page 139](#).
2. Disconnect one connector (callout 1) at the ECU and feed the wire-harness through the hole in the chassis (behind the power-switch PCA).

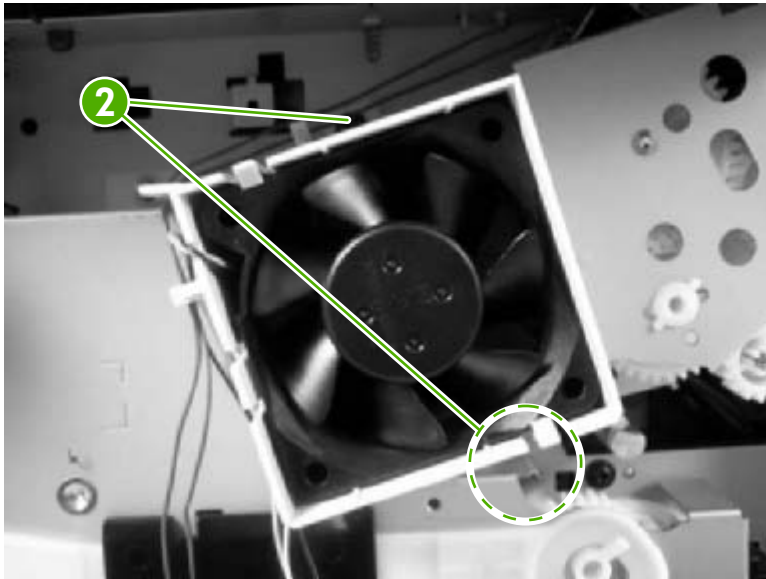


**NOTE** It might be easier to remove the wire-harness if you remove the power-switch PCA and mounting bracket. See [Power-switch PCA on page 142](#).



**Figure 5-54** Remove the fan (1 of 2)

3. Remove two screws (callout 2) and then lift the fan off of the all-in-one.



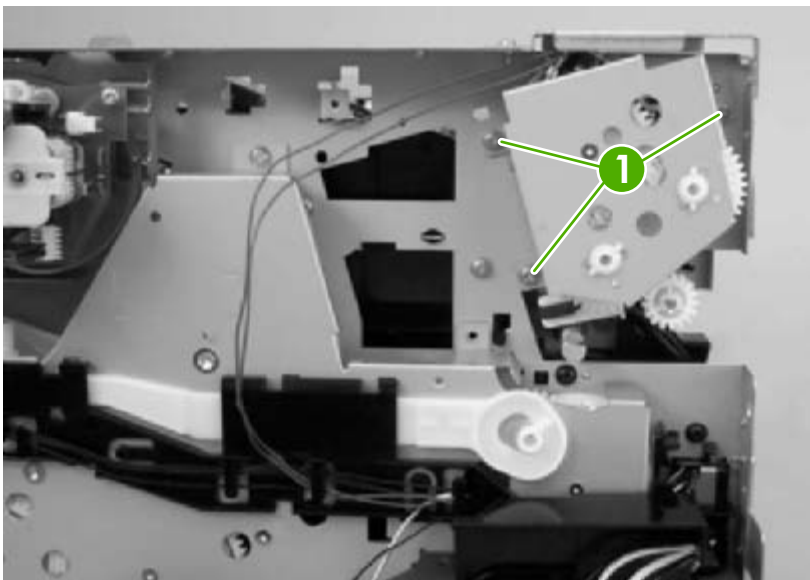
**Figure 5-55** Remove the fan (2 of 2)

## Duplex-drive gears

1. Remove the following components.
  - Right cover. See [Right cover on page 114](#).
  - Left cover. See [Left cover on page 116](#).
  - Rear cover. See [Rear cover on page 120](#).
  - Top cover. See [Top cover on page 122](#).
  - Convenience-stapler power supply (HP LaserJet 3392 only). See [Convenience-stapler power supply \(HP LaserJet 3392 only\) on page 136](#).
  - Convenience-stapler bracket and strap (HP LaserJet 3392 only). See [Convenience-stapler power supply bracket and strap \(HP LaserJet 3392 only\) on page 139](#).
  - Fan. See [Fan on page 152](#).
2. Remove three screws (callout 1) and then lift the assembly away from the all-in-one.



**NOTE** The gears are not attached to the gear plate. Carefully remove the gear plate and the gears together to prevent them from falling out of the assembly. If the gears are separated from the assembly, see to correctly reinstall them.



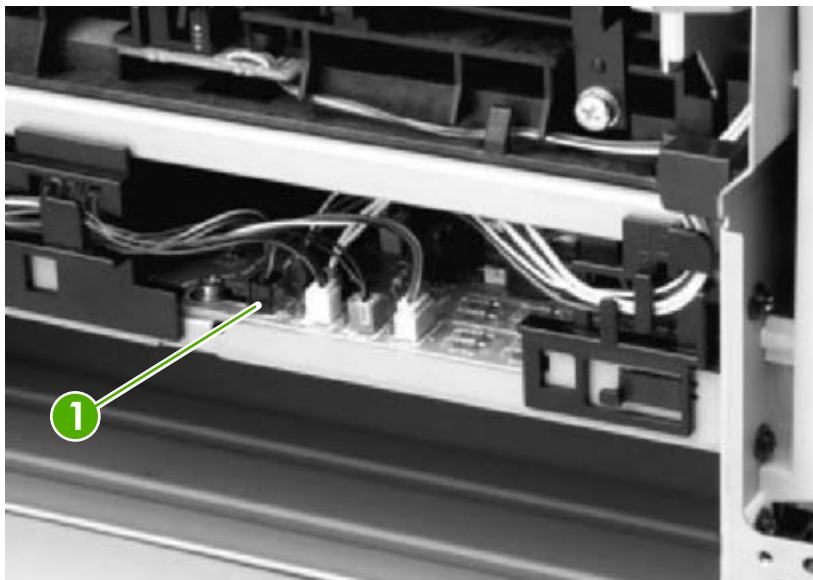
**Figure 5-56** Remove the duplex-drive gears



**Hint** It might be easier to replace the assembly if you place the two large gear-sets into the appropriate holes on the chassis first and then line up the holes in the gear plate with the gears as you replace the plate.

## Duplex solenoid

1. Remove the following components.
  - Right cover. See [Right cover on page 114](#).
  - Left cover. See [Left cover on page 116](#).
  - Rear cover. See [Rear cover on page 120](#).
  - Top cover. See [Top cover on page 122](#).
  - Convenience-stapler power supply (HP LaserJet 3392 only). See [Convenience-stapler power supply \(HP LaserJet 3392 only\) on page 136](#).
  - Convenience-stapler bracket and strap (HP LaserJet 3392 only). See [Convenience-stapler power supply bracket and strap \(HP LaserJet 3392 only\) on page 139](#).
  - Fan. See [Fan on page 152](#).
  - Duplex-drive gears. See [Duplex-drive gears on page 154](#).
2. Disconnect one connector (callout 1; J211) at the ECU. Feed the wire-harness out of the all-in-one and wire-harness guides.

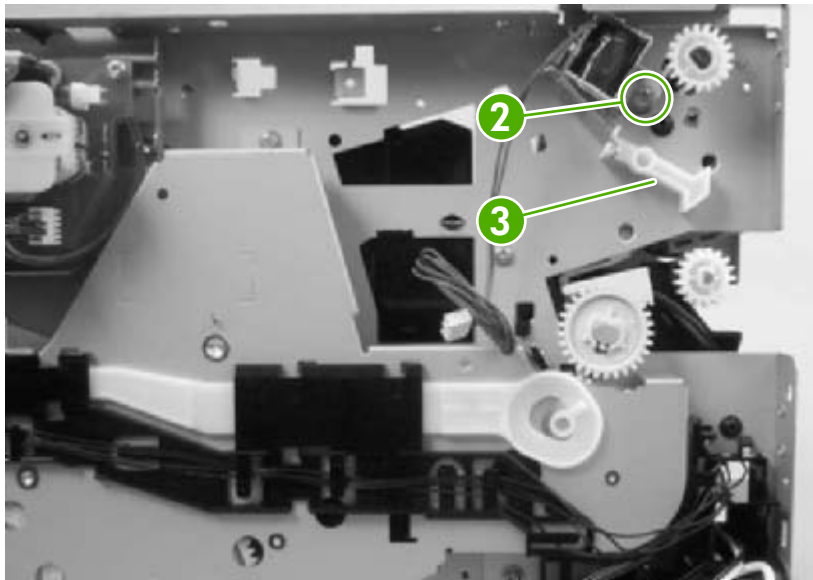


**Figure 5-57** Remove the duplex solenoid (1 of 2)

3. Remove one screw (callout 2) and lift the solenoid off of the all-in-one chassis.



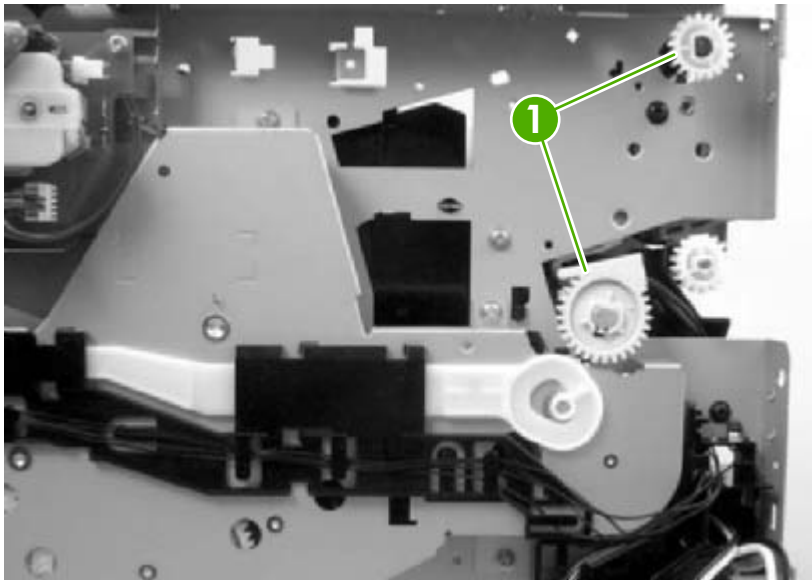
**NOTE** The solenoid lever (callout 3) is not retained. Do not lose this lever.



**Figure 5-58** Remove the duplex solenoid (2 of 2)

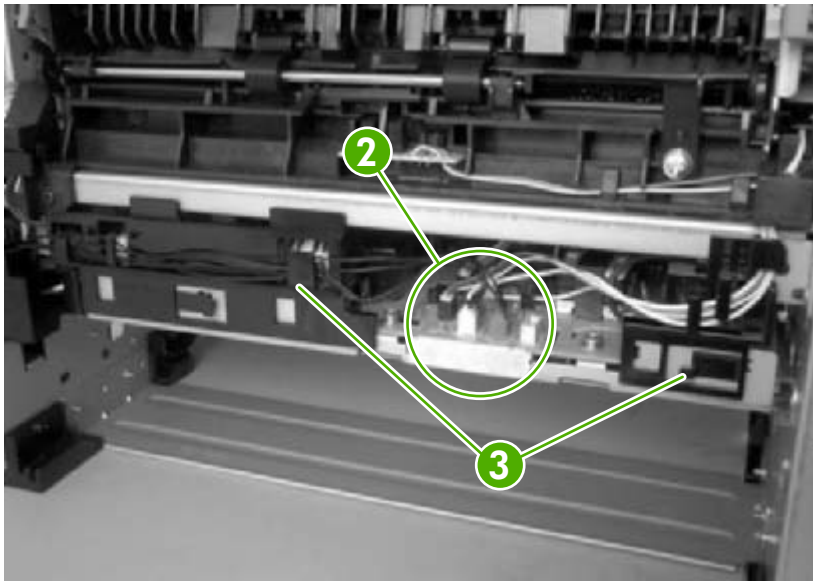
## Fuser

1. Remove the following components.
  - Right cover. See [Right cover on page 114](#).
  - Left cover. See [Left cover on page 116](#).
  - Rear cover. See [Rear cover on page 120](#).
  - Top cover. See [Top cover on page 122](#).
  - Convenience-stapler power supply (HP LaserJet 3392 only). See [Convenience-stapler power supply \(HP LaserJet 3392 only\) on page 136](#).
  - Convenience-stapler bracket and strap (HP LaserJet 3392 only). See [Convenience-stapler power supply bracket and strap \(HP LaserJet 3392 only\) on page 139](#).
  - Power-switch PCA. See [Power-switch PCA on page 142](#).
  - Formatter. See [Formatter on page 143](#).
  - Fan. See [Fan on page 152](#).
  - Duplex-drive gears. See [Duplex-drive gears on page 154](#).
  - Duplex solenoid. See [Duplex solenoid on page 155](#).
2. On the right side of the all-in-one, press the tabs on two gears (callout 1) to release the gears, and then slide the gears off of the shafts.



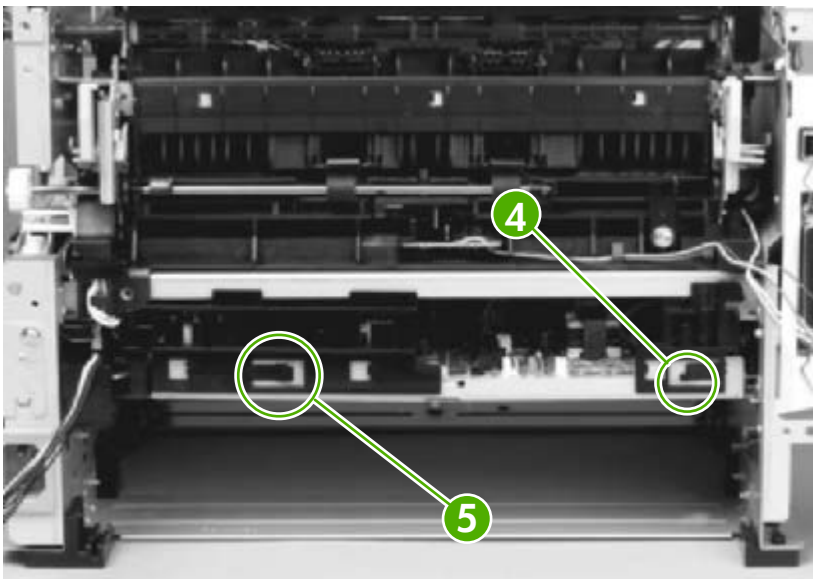
**Figure 5-59** Remove the fuser (1 of 11)

3. Disconnect four connectors (callout 2) from the ECU. Remove the wire-harness from the guides (callout 3).



**Figure 5-60** Remove the fuser (2 of 11)

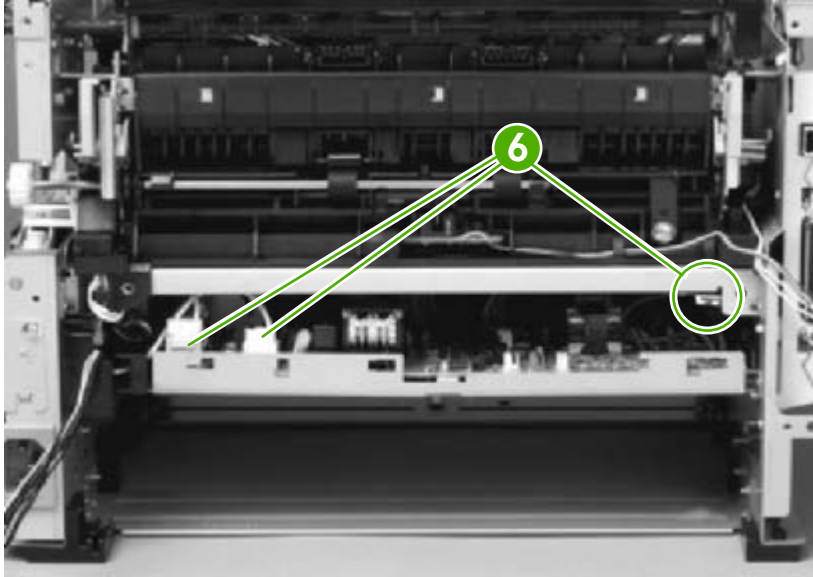
4. Pull the tabs on the wire-harness holders (callout 4 and callout 5), slide them toward the center of the all-in-one to release them from the frame, and then remove the wire-harnesses.



**Figure 5-61** Remove the fuser (3 of 11)

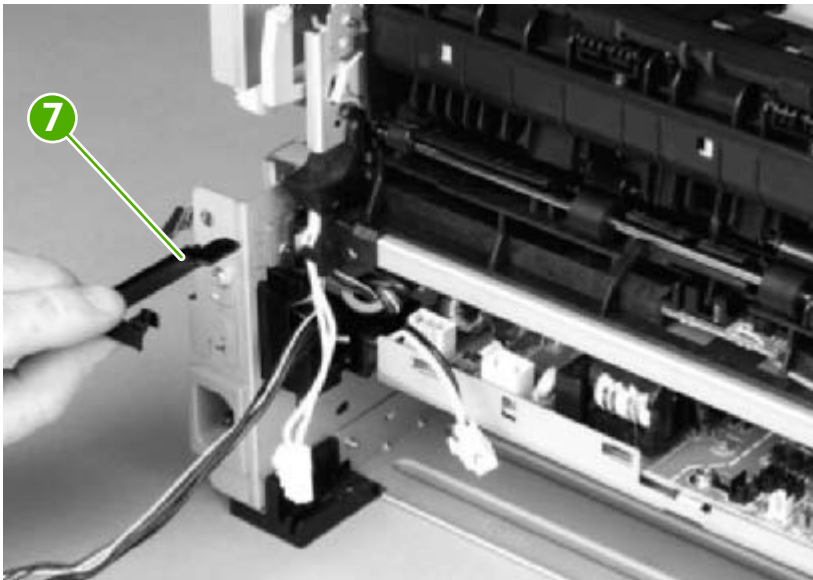


5. Disconnect three connectors (callout 6).



**Figure 5-62** Remove the fuser (4 of 11)

6. Pull the wire-harness holder (callout 7) straight back to remove it, and then remove the wire-harnesses.



**Figure 5-63** Remove the fuser (5 of 11)

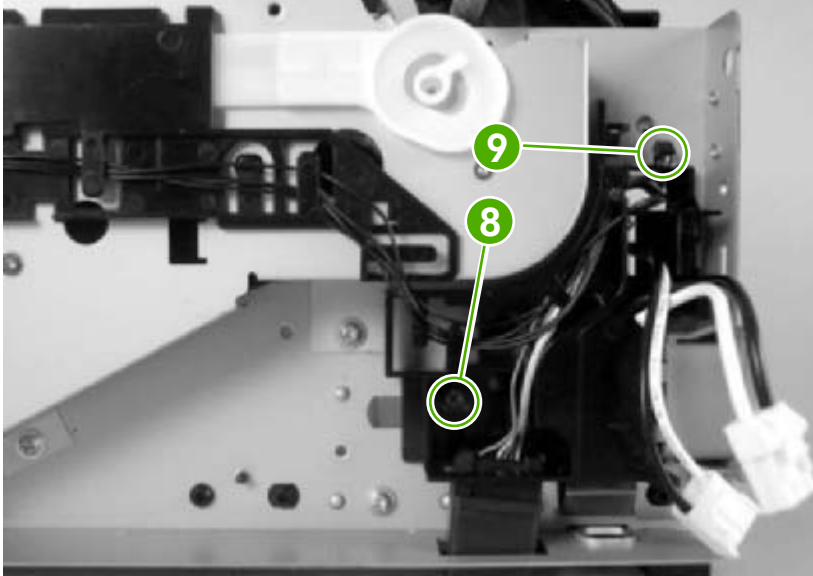


**Reinstallation tip** You might find it easier to reassemble the wire-harnesses and the wire-harness holder if you put the smaller wires in place first.

7. Remove one screw (callout 8) and release one clip (callout 9) on the wire guide that contains the optional tray 3 connector.



**NOTE** It is not necessary to remove the tray 3 connector or the wire-harness guide. But you need to release the guide so that the tray 3 connector wire-harness is loose enough to be removed from a guide on the fuser later in this procedure.

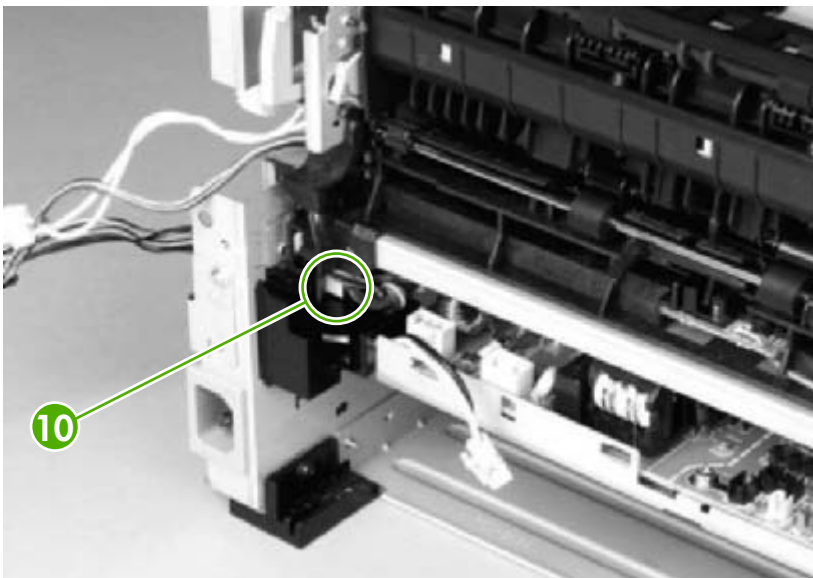


**Figure 5-64** Remove the fuser (6 of 11)

8. Disconnect one connector (callout 10) and then remove the wire-harness from the guide.

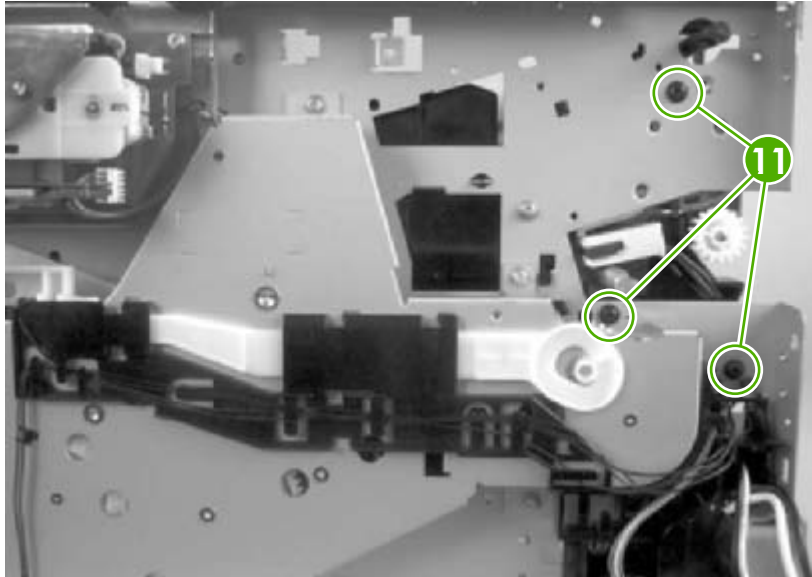


**NOTE** Before you proceed to the next step, make sure that all of the wire-harnesses that you disconnected in previous steps have been released from any wire-harness guides and holders.



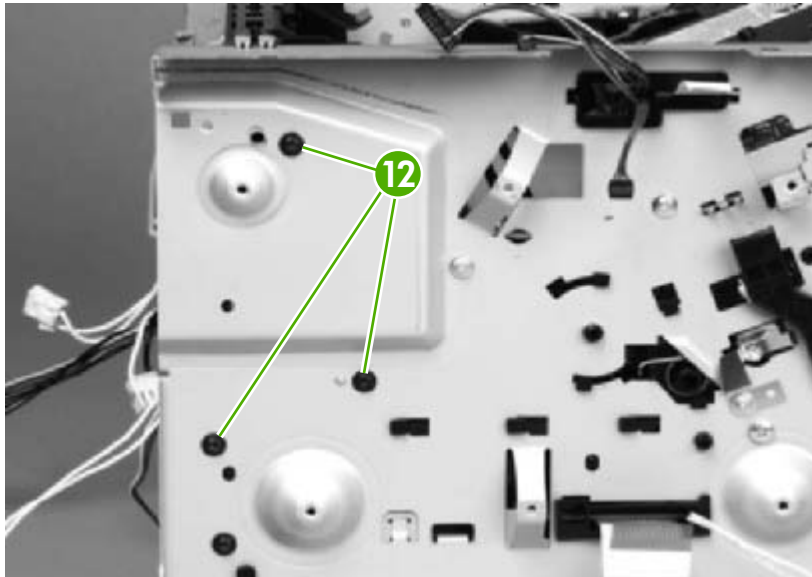
**Figure 5-65** Remove the fuser (7 of 11)

9. Remove three screws (callout 11) on the right side of the all-in-one.



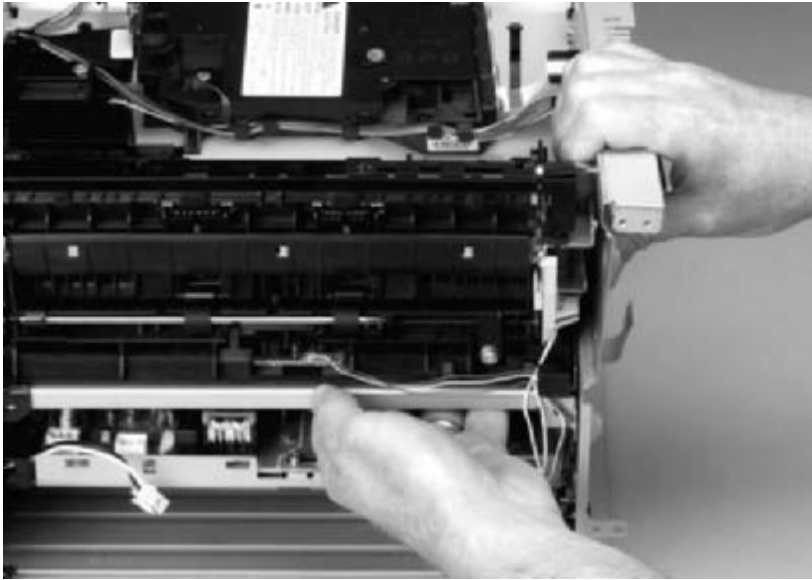
**Figure 5-66** Remove the fuser (8 of 11)

10. Remove three screws (callout 12) from the left side of the all-in-one.



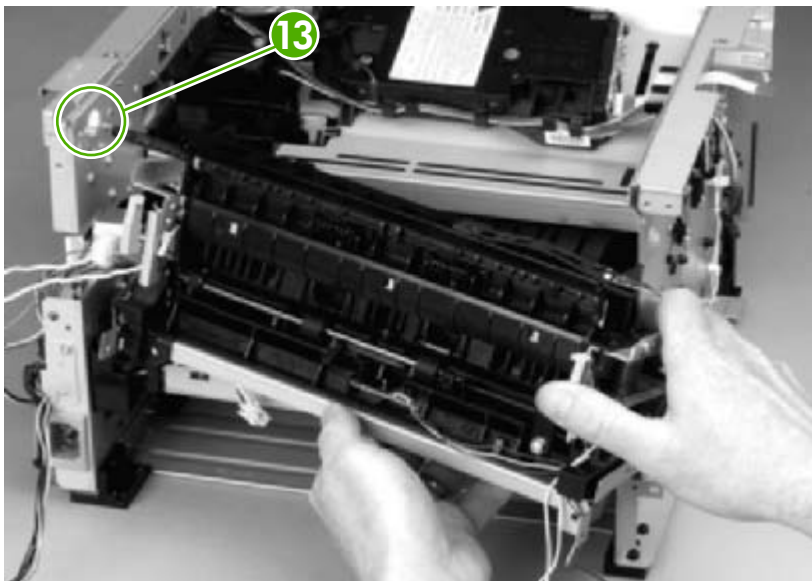
**Figure 5-67** Remove the fuser (9 of 11)

11. Pull on the all-in-one chassis at the top to spread the all-in-one frame and release the fuser from the frame.



**Figure 5-68** Remove the fuser (10 of 11)

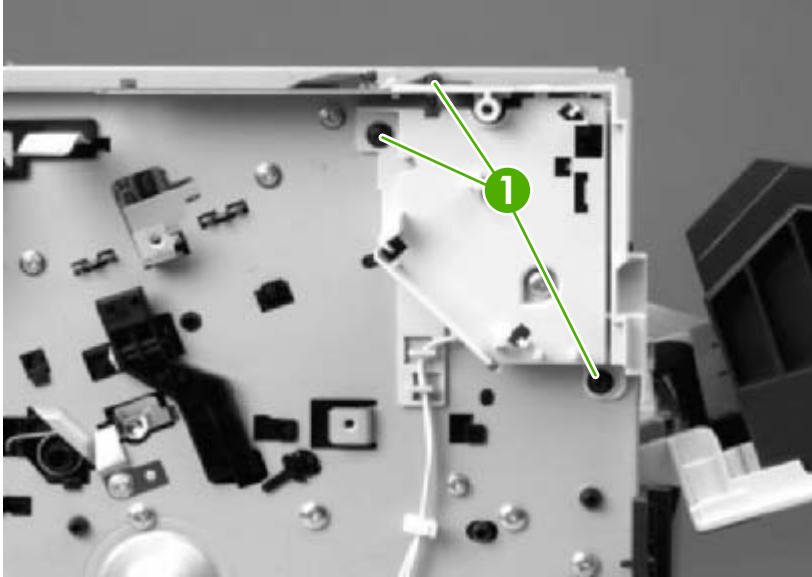
12. Pull the fuser out of the all-in-one at an angle so that the delivery-roller shaft clears the hole (callout 13) in the chassis. Carefully remove the wire-harnesses from the guide in the lower-left corner of the fuser.



**Figure 5-69** Remove the fuser (11 of 11)

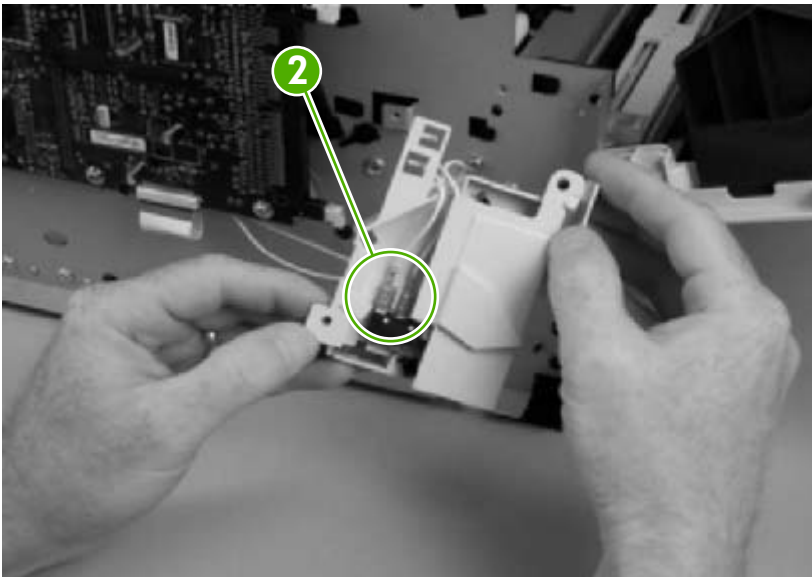
## Interlock assembly

1. Remove the following components.
  - Right cover. See [Right cover on page 114](#).
  - Left cover. See [Left cover on page 116](#).
  - Rear cover. See [Rear cover on page 120](#).
  - Top cover. See [Top cover on page 122](#).
2. Remove three screws (callout 1).



**Figure 5-70** Remove the interlock assembly (1 of 2)

3. Lift the interlock assembly away from the all-in-one and disconnect two connectors (callout 2).



**Figure 5-71** Remove the interlock assembly (2 of 2)

## ECU

---



**CAUTION** PCAs are sensitive to electrostatic discharge (ESD). Look for the ESD reminder when removing PCAs. Always perform service work at an ESD-protected workstation or mat. If an ESD workstation or mat is not available, ground yourself by touching the sheet-metal chassis *before* touching an ESD-sensitive part.

Protect the ESD-sensitive parts by placing them in ESD pouches when they are out of the all-in-one.

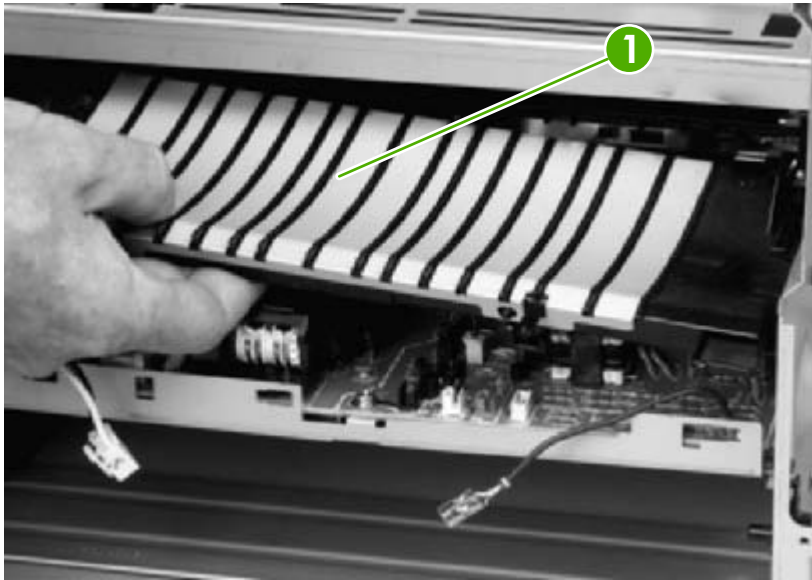
**CAUTION** Do not bend or fold the flat flexible cables (FFCs) during removal or installation. Also, do not straighten pre-folds in the FFCs. You *must* make sure that all FFCs are fully seated in their connectors. Failure to fully seat an FFC into a connector can cause a short circuit in a PCA.

---

1. Remove the following components.
  - Right cover. See [Right cover on page 114](#).
  - Left cover. See [Left cover on page 116](#).
  - Rear cover. See [Rear cover on page 120](#).
  - Top cover. See [Top cover on page 122](#).
  - Formatter. See [Formatter on page 143](#).
  - Duplex assembly. See [Duplex assembly on page 146](#).
  - Fan. See [Fan on page 152](#).
  - Duplex-drive gears. See [Duplex-drive gears on page 154](#).
  - Fuser. See [Fuser on page 152](#).
  - Interlock assembly. See [Interlock assembly on page 163](#).

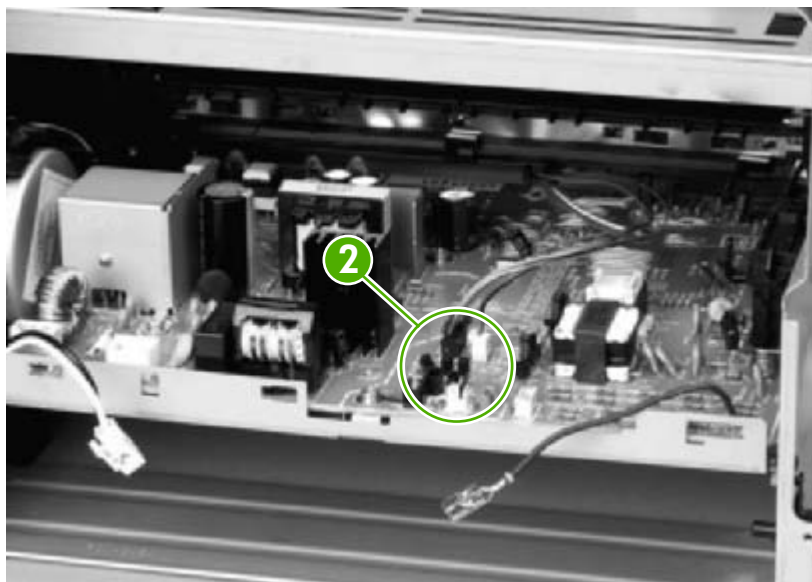


2. Remove the wire-harnesses from the retainer under the feed plate (callout 1), and then remove the feed plate by lifting it and pulling it straight back.



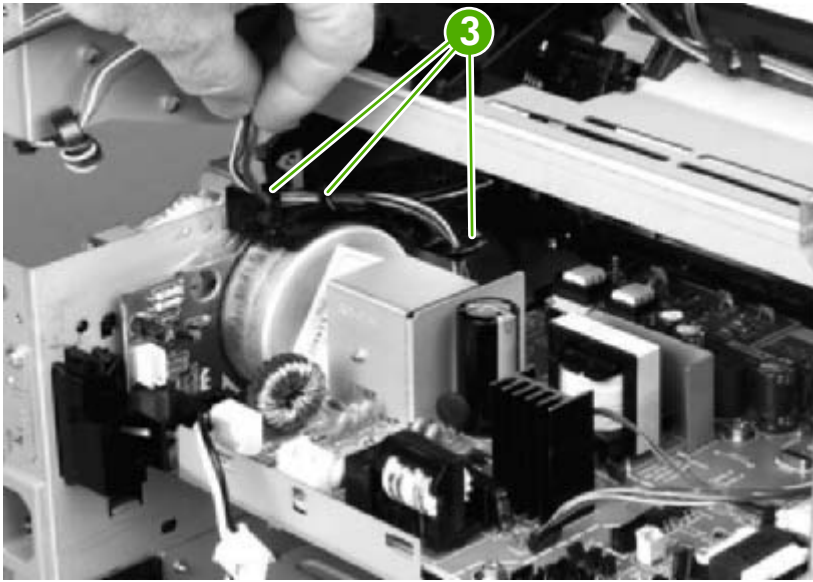
**Figure 5-72** Remove the ECU (1 of 8)

3. Disconnect two connectors (callout 2).



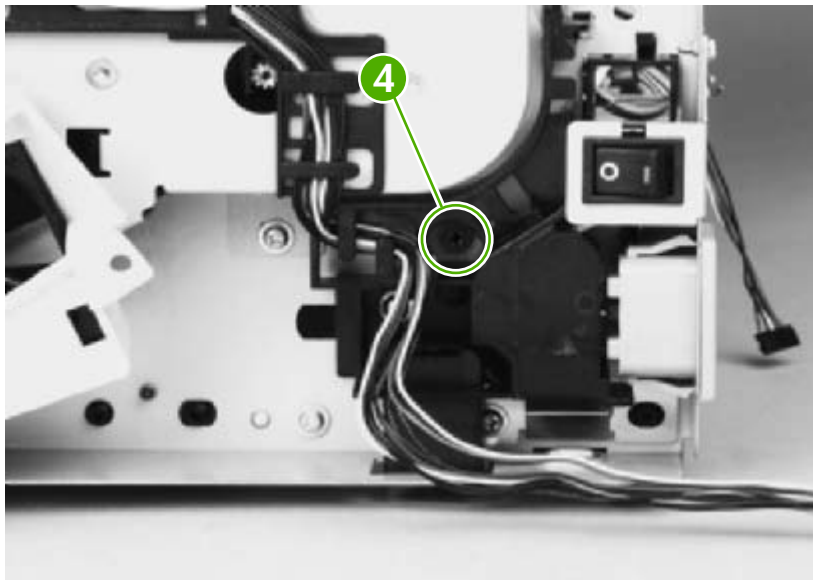
**Figure 5-73** Remove the ECU (2 of 8)

4. Remove the wire-harnesses at the right side of the all-in-one, releasing them from the harness retainers (callout 3).



**Figure 5-74** Remove the ECU (3 of 8)

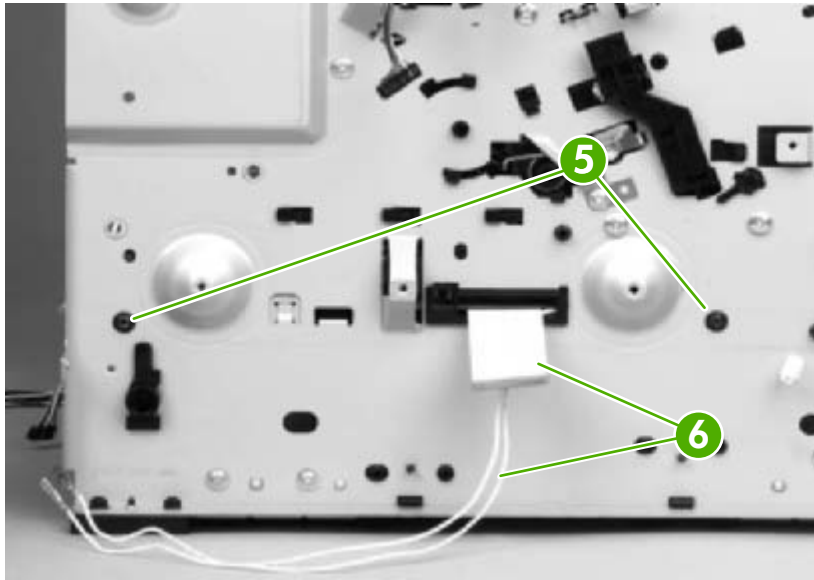
5. Remove one screw (callout 4).



**Figure 5-75** Remove the ECU (4 of 8)



6. Remove two screws (callout 5) from the left side of the all-in-one, and then push the interlock cables and the formatter cable (callout 6) through the hole in the chassis.



**Figure 5-76** Remove the ECU (5 of 8)

7. Spread the all-in-one frame on one side of the all-in-one to release the internal tabs that secure the ECU to the chassis.



**Figure 5-77** Remove the ECU (6 of 8)

8. Spread the all-in-one frame at the other side of the all-in-one to release the internal tabs, and then lower the ECU slightly and pull it straight back to remove it.



**NOTE** Make sure that wire-harnesses do not become caught on the contact springs as you remove the ECU.

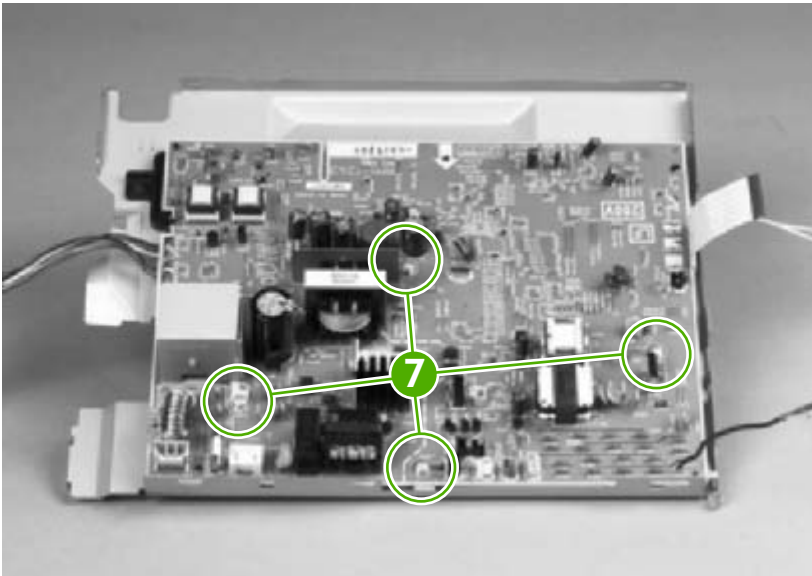


**Figure 5-78** Remove the ECU (7 of 8)



**Reinstallation tip** When replacing the ECU, you might find it easier to find the correct placement of the ECU pan in the all-in-one if you tip the all-in-one so that it rests on its front.

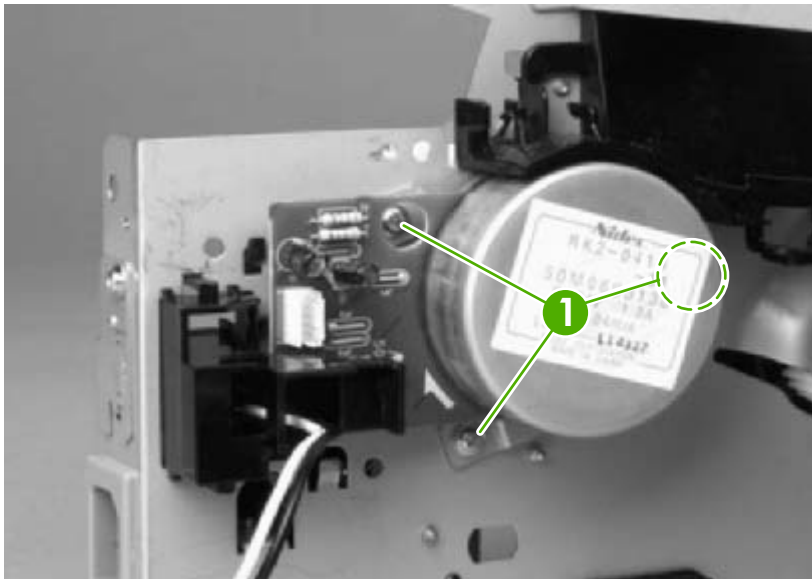
9. Remove four screws (callout 7) and then lift the ECU off of the ECU pan.



**Figure 5-79** Remove the ECU (8 of 8)

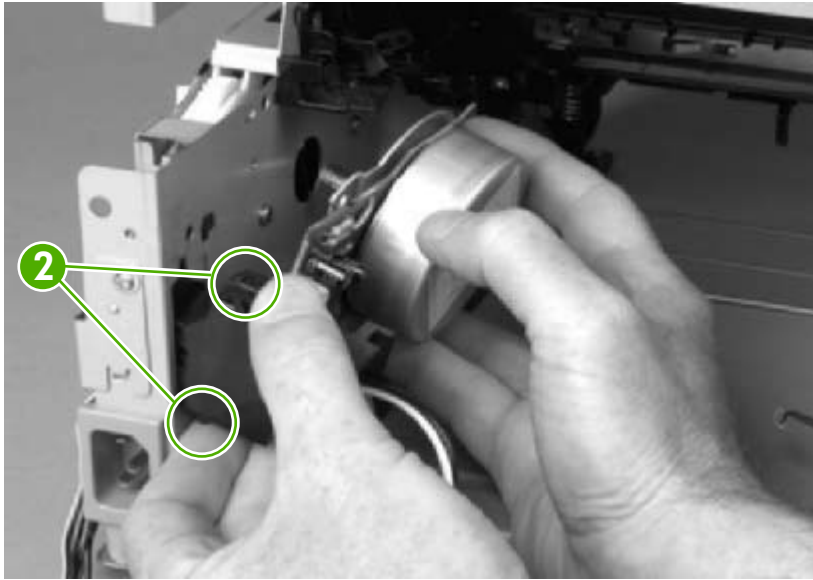
## Main motor

1. Remove the following components.
  - Right cover. See [Right cover on page 114](#).
  - Left cover. See [Left cover on page 116](#).
  - Rear cover. See [Rear cover on page 120](#).
  - Top cover. See [Top cover on page 122](#).
  - Formatter. See [Formatter on page 143](#).
  - Fan. See [Fan on page 152](#).
  - Duplex-drive gears. See [Duplex-drive gears on page 154](#).
  - Interlock assembly. See [Interlock assembly on page 163](#).
  - ECU. See [ECU on page 164](#).
2. Remove three screws (callout 1).



**Figure 5-80** Remove the main motor (1 of 2)

3. Hold the motor while releasing the tabs (callout 2) on the wire-harness guide, and then lift the motor and the guide out of the all-in-one together.



**Figure 5-81** Remove the main motor (2 of 2)

## Pickup-and-feed assemblies

This section covers the major assemblies of the pickup-and-feed system: the transfer roller and the registration assembly.

For information about replacing the tray 2 pickup roller, see [Replacing the tray 2 pickup roller on page 44](#).

For information about replacing the tray 2 or tray 3 separation pad, see [Replacing the tray 2 and optional tray 3 separation pad on page 49](#).

For information about replacing the ADF pickup roller, see [Replacing the ADF pickup-roller assembly on page 124](#).

### Transfer roller

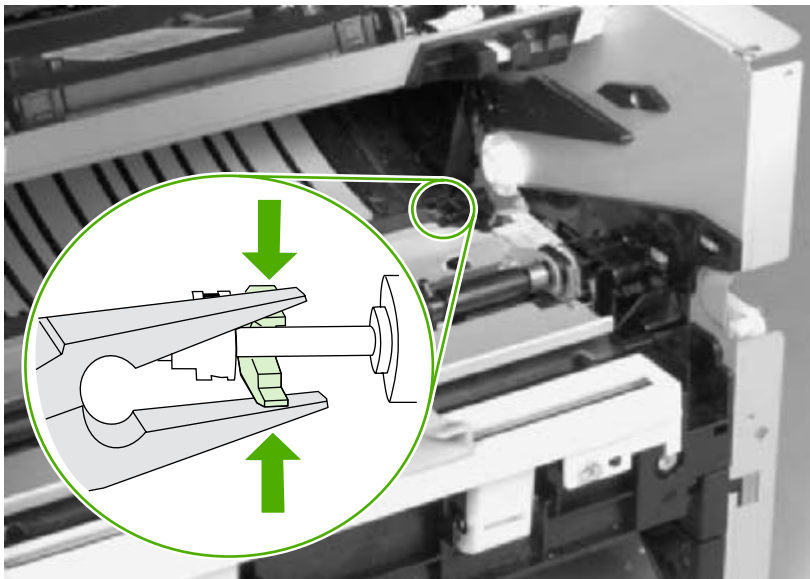


**NOTE** Make sure that the transfer roller needs to be replaced before you remove it. Excess handling can cause additional damage.

1. Remove the print cartridge. See [Remove the print cartridge on page 113](#).
2. Use needle-nose pliers to release the transfer roller tabs at the end of the roller, near the right side of the all-in-one.



**CAUTION** Do not break the tabs and do not touch the roller.

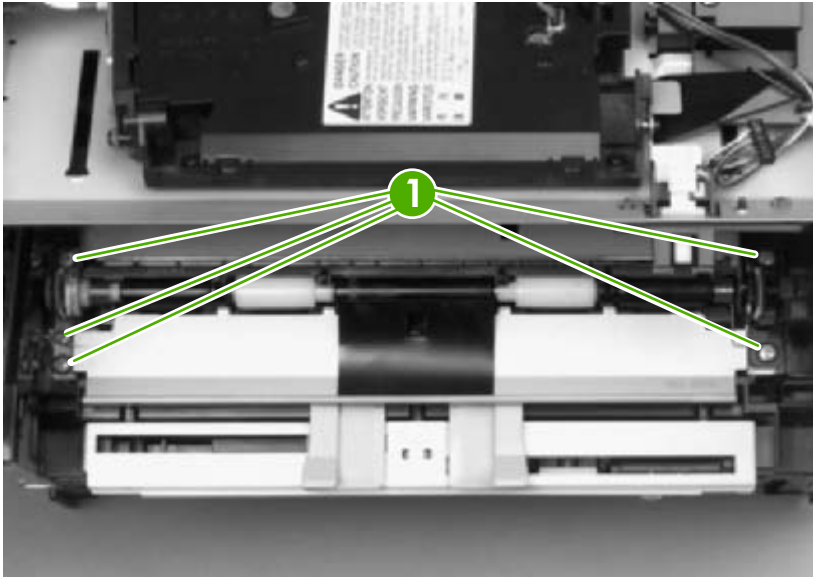


**Figure 5-82** Remove the transfer roller

3. Lift up the end of the roller near the right side of the all-in-one, and then slide it toward the right side of the all-in-one while pulling it out of the all-in-one.

## Registration-roller assembly

1. Remove five screws (callout 1).

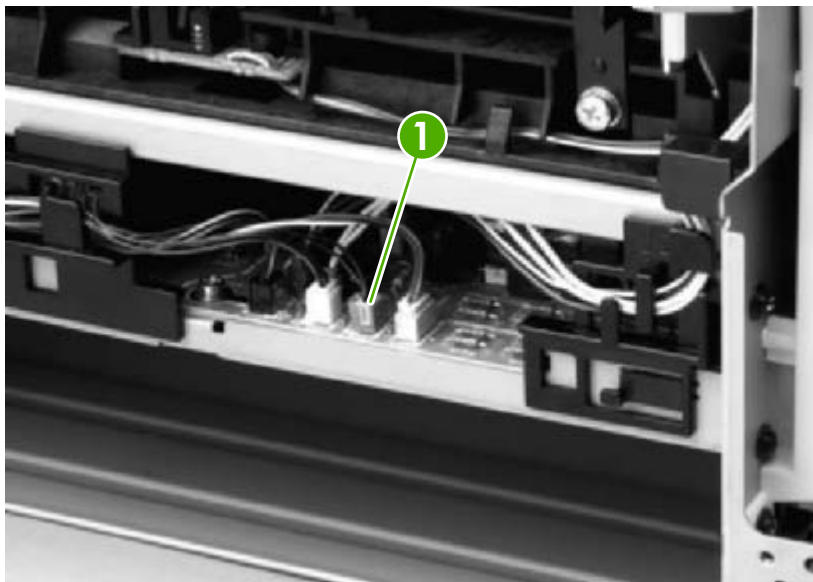


**Figure 5-83** Remove the registration-roller assembly

2. Lift the entire assembly out of the all-in-one.

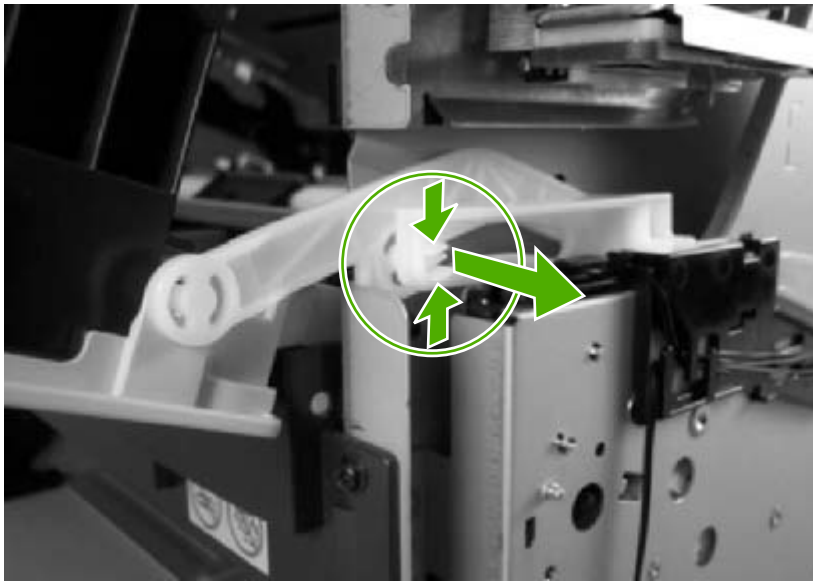
## Main gear assembly and tray 2 pickup solenoid

1. Remove the following components.
  - Right cover. See [Right cover on page 114](#).
  - Left cover. See [Left cover on page 116](#).
  - Rear cover. See [Rear cover on page 120](#).
  - Top cover. See [Top cover on page 122](#).
  - Convenience-stapler power supply (HP LaserJet 3392 only). See [Convenience-stapler power supply \(HP LaserJet 3392 only\) on page 136](#).
  - Convenience-stapler power supply bracket and strap (HP LaserJet 3392 only). See [Convenience-stapler power supply bracket and strap \(HP LaserJet 3392 only\) on page 139](#).
  - Power switch PCA. See [Power-switch PCA on page 142](#).
  - Fan. See [Fan on page 152](#).
2. Disconnect one connector (callout 1) at the ECU.



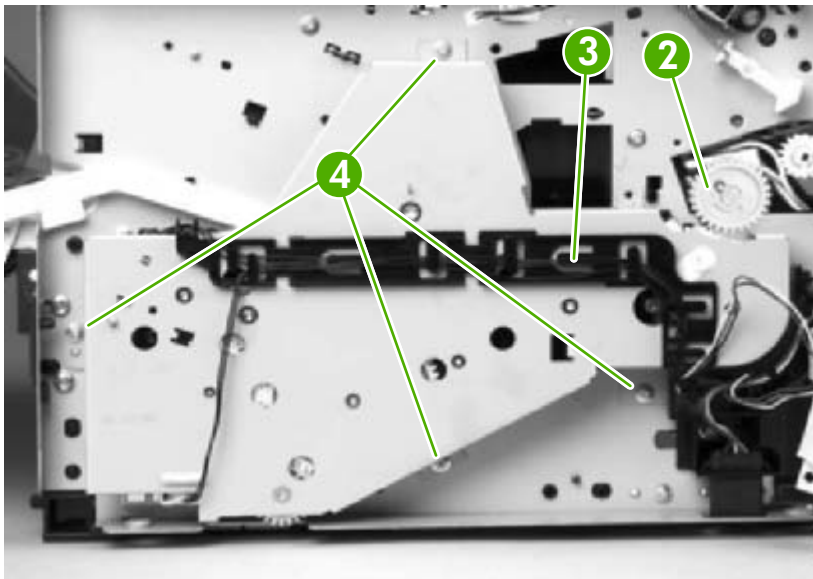
**Figure 5-84** Remove the main gear assembly (1 of 3)

3. Squeeze the retainer tabs on the gear-release lever to disconnect the lever from the print-cartridge door arm.



**Figure 5-85** Remove the main gear assembly (2 of 3)

4. Release the tab on the gear (callout 2) and slide the gear off of the shaft.
5. Remove the wire-harnesses from the guide (callout 3).
6. Remove four screws (callout 4).

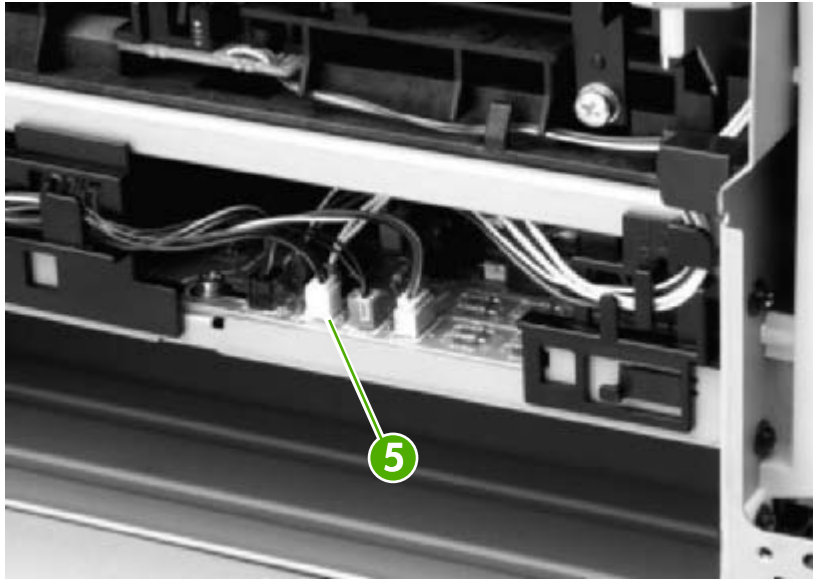


**Figure 5-86** Remove the main gear assembly (3 of 3)

7. Pull the main gear assembly straight away from the all-in-one.

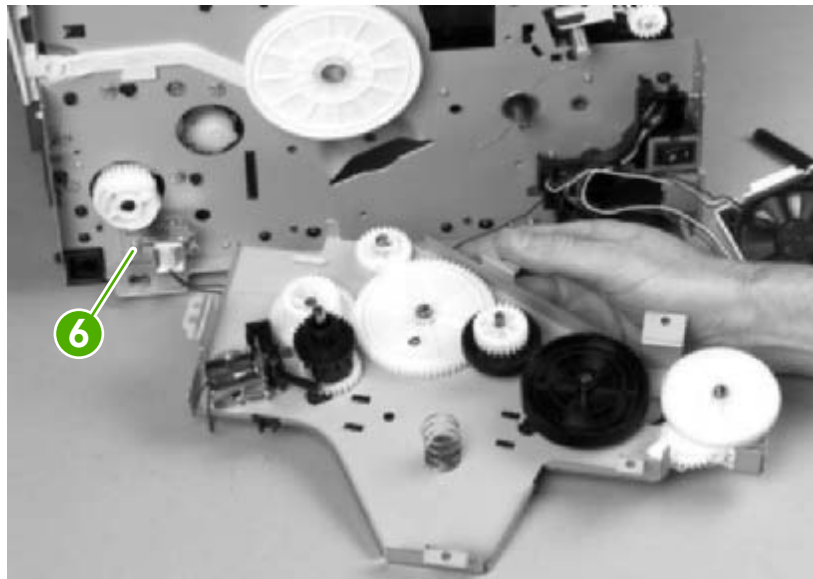


8. To remove the tray 2 pickup solenoid, disconnect one connector (callout 5).



**Figure 5-87** Remove the tray 2 pickup solenoid (1 of 2)

9. Remove one screw (callout 6), and then lift the solenoid off of the all-in-one.



**Figure 5-88** Remove the tray 2 pickup solenoid (2 of 2)



# 6 Troubleshooting


- [Troubleshooting process](#)
- [Jams](#)
- [Control-panel messages](#)
- [Print problems](#)
- [Scan problems](#)
- [Copy problems](#)
- [Fax troubleshooting](#)
- [Control-panel display problems](#)
- [Convenience-stapler problems \(HP LaserJet 3392 only\)](#)
- [DSL problems](#)
- [ADF problems](#)
- [Functional checks](#)
- [Service-mode functions](#)
- [Troubleshooting tools](#)
- [Firmware updates and recovery](#)

# Troubleshooting process

## Troubleshooting checklist

Follow these steps when trying to solve a problem with the all-in-one.

Step number	Verification step	Possible problems	Solutions
1	<p><b>Is the power on?</b></p> <p>When the all-in-one is connected to a grounded power source and is turned on, the control panel shows <b>Hewlett Packard</b> with moving cursors indicating that the firmware code is loading, and the main motor rotates for approximately 45 to 60 seconds. When the firmware is done loading, <b>Scanner bulb warming up</b> might appear on the control-panel display, and the scan head moves back and forth for 10 to 15 seconds. If you lift the scanner cover, you will see that the scanner bulb is lit. Near the end of this time, the automatic document feeder (ADF) motor turns on for about two seconds.</p>	No power as a result of a failed power source, cable, switch, or fuse	<ol style="list-style-type: none"> <li>1. Verify that the all-in-one is plugged in.</li> <li>2. Verify that the power cable is functional and that the power switch is on.</li> <li>3. Check the power source by plugging the all-in-one directly into the wall or into a different outlet.</li> </ol>
		Motor does not start	<ol style="list-style-type: none"> <li>1. Verify that the all-in-one is plugged into a working electrical receptacle.</li> <li>2. Verify that the print cartridge is installed correctly. Follow the instructions on the control panel to remove and replace the cartridge.</li> <li>3. Verify that the top cover is closed.</li> </ol>
		ADF motor does not start	<p>Open the ADF cover and remove any orange shipping tape inside the ADF.</p> <p>Verify that the ADF connector is connected correctly to the scanner.</p> <p>If the ADF motor still does not rotate, replace the ADF. See <a href="#">ADF assembly on page 127</a>.</p>
2	<p><b>Does Ready appear in the all-in-one control panel?</b></p> <p>The control panel should function without error messages.</p>	Control panel shows an error	<p>See <a href="#">Control-panel messages on page 207</a> for a list of common messages that will help you correct the error.</p>
		Scanner bulb does not light	<p>If the scanner bulb does not light, verify that the wire-harness connectors from the scanner to the formatter are connected correctly.</p> <p>If the error persists, replace the following components one at a time until the problem is resolved: scanner assembly, formatter. See <a href="#">Scanner/ADF assembly on page 129</a> and <a href="#">Formatter on page 143</a>.</p>
3	<p><b>Do information pages print?</b></p> <p>Print a Configuration page.</p>	Error message appears on the control-panel display	<p>See <a href="#">Control-panel messages on page 207</a> for a list of common messages that will help you correct the error.</p>
		Media does not move smoothly through the all-in-one paper path	<p>Make sure that media that meets HP specifications. See <a href="#">Media specifications on page 17</a>.</p>

Step number	Verification step	Possible problems	Solutions
			Clean the paper path. See <a href="#">Cleaning the all-in-one on page 53</a> .
		Poor print quality	See <a href="#">Print-quality problems on page 215</a> .
4	<p><b>Does the all-in-one copy?</b></p> <p>Place the Configuration page into the ADF and make a copy. The report should feed smoothly through the ADF, and copies should print without print-quality problems. Make a copy from the flatbed as well.</p>	Poor copy quality from the ADF	<ol style="list-style-type: none"> <li>1. If the print quality from the internal tests and the copy from the flatbed are acceptable, clean the ADF scanning glass. See <a href="#">Cleaning the all-in-one on page 53</a>.</li> <li>2. If the ADF is damaged, replace the ADF. See <a href="#">ADF assembly on page 127</a>.</li> </ol>
		Media does not move smoothly through the ADF path	<ol style="list-style-type: none"> <li>1. Make sure that the media in the ADF meets ADF specifications.</li> <li>2. Clean the ADF pick roller. See <a href="#">Cleaning the all-in-one on page 53</a>.</li> <li>3. If the problem persists, replace the ADF pick roller. See <a href="#">Replacing the ADF pickup-roller assembly on page 124</a>.</li> <li>4. If the problem persists, replace the ADF. See <a href="#">ADF assembly on page 127</a>.</li> </ol>
		Poor copy quality from the flatbed	If the print quality from the internal tests and the copy from the ADF are acceptable, clean the flatbed glass. See <a href="#">Cleaning the all-in-one on page 53</a> .
5	<p><b>Does the all-in-one send a fax?</b></p> <p>Connect the telephone line and press <b>Start Fax</b> to verify that a dial tone exists (using a hand set, if necessary). Attempt to send a fax.</p>	<p>Telephone line is not operational or the all-in-one is not plugged into the telephone line</p> <p>Telephone cord is faulty or is plugged into the wrong connector</p> <p>Fax number is incorrect or incomplete</p> <p>All-in-one fax settings are set incorrectly</p>	<p>Verify that the all-in-one is plugged into a telephone line that you know works.</p> <ol style="list-style-type: none"> <li>1. Try plugging the telephone cord into the other connector.</li> <li>2. Try a new telephone cord.</li> </ol> <p>Check the fax number and retype the correct and complete fax number.</p> <p>Review and reset the all-in-one fax settings.</p>
6	<p><b>Does the all-in-one receive a fax?</b></p> <p>Use another fax machine to send a fax to the all-in-one.</p>	<p>Too many telephone devices are plugged in, or telephone devices are not connected in the correct order</p> <p>All-in-one fax settings are set incorrectly</p>	<p>Make sure that the all-in-one is the only device on the telephone line and try again to receive the fax.</p> <p>Review and reset the all-in-one fax settings.</p>
			 <p><b>NOTE</b> If the all-in-one is connected to a computer, use the HP Fax Setup Wizard to review and reset fax settings.</p>
7	<p><b>Does the all-in-one print from the computer?</b></p>	Software is not installed correctly or an error occurred during software installation	Uninstall and then reinstall the all-in-one software. Verify that you are using the correct installation procedure and the correct port setting.

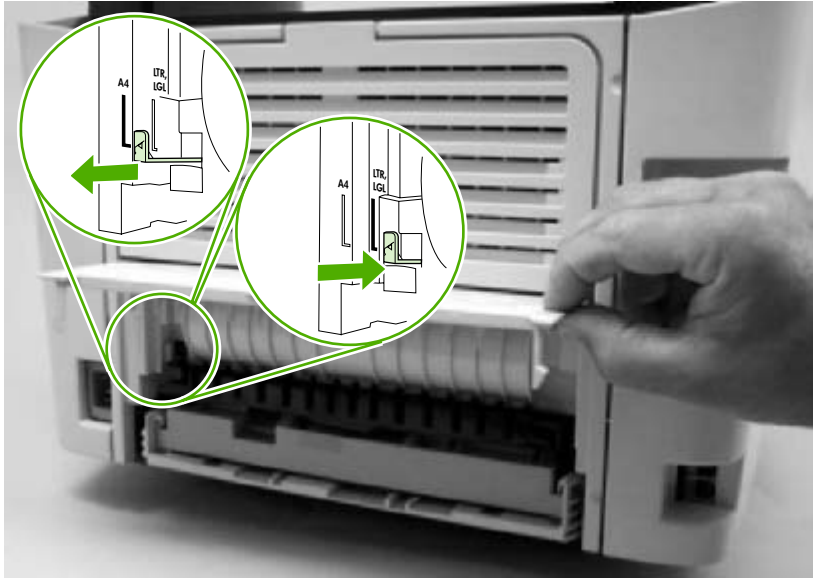
Step number	Verification step	Possible problems	Solutions
	Connect the network cable or USB cable to the all-in-one and the computer. Use a word-processing program to send a print job to the all-in-one.	The cable is not connected correctly	Reconnect the cable.
		Incorrect driver is selected	Select the correct driver.
		Other devices are connected to the USB port	Disconnect the other devices and try again to print.
		There might be a problem with the network connection.	<p>If printing through the network, verify that the device has a valid TCP/IP address by checking the network configuration. If the issue persists, verify that the green LED on the network connector on the back of the device is lit. If it is not lit, there might be a bad network connection, cable, or network device (router or hub).</p> <p>If the issue persists after verifying the above, uninstall and then reinstall the network driver software from the device installation CD. Print a Configuration page for reference to the TCP/IP address during reinstallation.</p> <p>If the problem still persists, replace the formatter.</p>
		Port driver problem in Microsoft Windows	Uninstall and then reinstall the all-in-one software. Verify that you are using the correct installation procedure and the correct port setting.
<b>8</b>	<b>Does the all-in-one scan to the computer?</b>	Cable is not connected correctly	Reconnect the cable.
	Turn the all-in-one off, and then on. Initiate a scan from the basic desktop software at your computer.	Software is not installed correctly or an error occurred during software installation	Uninstall and then reinstall the all-in-one software. Verify that you are using the correct installation procedure and the correct port setting.

# Jams

## Causes of jams



**NOTE** If you are experiencing jams in the duplex paper path, make sure that the duplex-tray lever is set to the correct media size for your country/region. Open the duplex-paper-path door and look at the embossed arrow on the lever. Make sure that it points to the media size for your country/region. If the size needs to be changed, push the lever all the way in for duplex printing on letter- and legal-size media, or pull it all the way out for duplex printing on A4-size media.



Occasionally, paper or other print media can become jammed during a print job. Some causes include the following events:

- The print media that is being used does not meet HP specifications.
- The media is damaged or has objects attached to it, such as staples or paper clips.
- The environment in which the print media was stored is too humid or too dry.
- The input trays are loaded incorrectly or overfilled, or the media guides are not set correctly.
- Too many sheets have accumulated in an output area, or sheets are blocking an output area.
- Media is added to or removed from an input tray during a print job or an input tray is removed from the all-in-one during a print job.
- The cartridge door is opened during a print job.

## Tips to avoid jams

- Use only HP-recommended media types and sizes.
- Verify that the input tray is not overfilled. The input tray capacity varies depending on the type of print media that you are using.
- Verify that the media guides are correctly adjusted.
- Check that the input tray is securely in place.
- Do not let print media stack up in the output bin. The print media type and the amount of toner used affect the output bin capacity.
- Do not add print media into the input tray while the all-in-one is printing.
- Do not open the print cartridge door during printing.
- Check the power connection. Make sure that the power cord is firmly connected to both the all-in-one and the power-supply box. Plug the power cord into a grounded electrical outlet.

## Where to look for jams

Jams can occur in these locations:

- Inside the all-in-one
- In output areas
- In the automatic document feeder (ADF)
- In the automatic duplexer

Find and remove the jam by using the instructions on the following pages. If the location of the jam is not obvious, first look inside the all-in-one.

Loose toner might remain in the all-in-one after a jam. This problem typically resolves itself after a few sheets have printed.



## Jams in the print-cartridge area

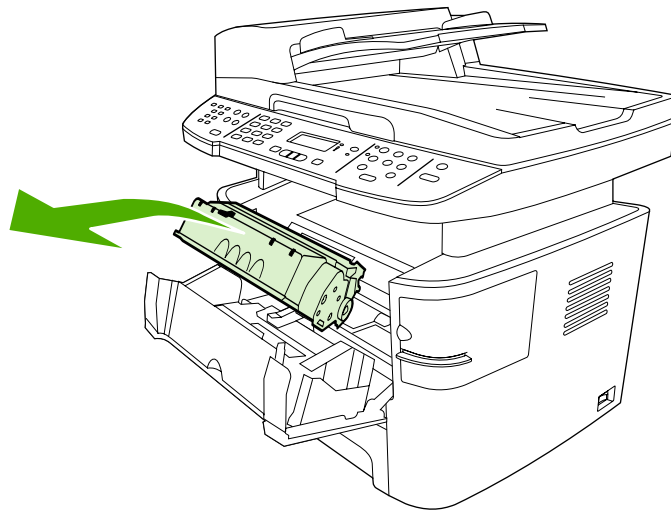
To clear a jam in the print cartridge area, perform the following steps:

**⚠ CAUTION** Do not use sharp objects, such as tweezers or needle-nose pliers, to remove jams. Damage caused by sharp objects is not covered by the warranty.

When removing jammed media, pull the jammed media straight away from the all-in-one. Pulling jammed media out of the all-in-one at an angle can damage the all-in-one.

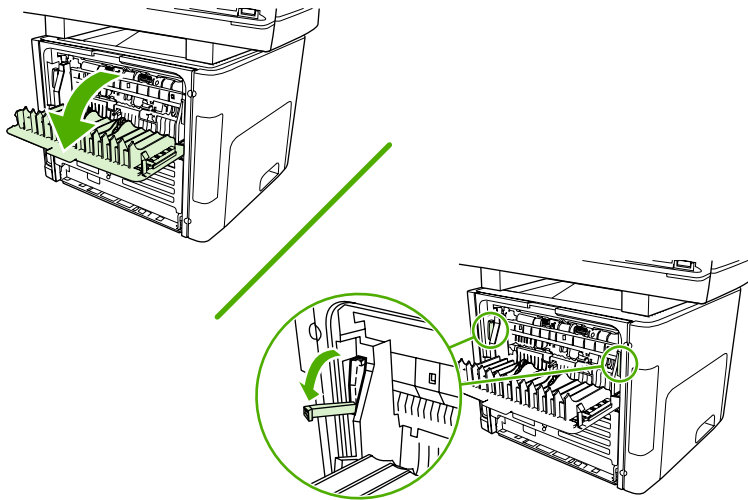
1. Open the print-cartridge door, and remove the print cartridge.

**⚠ CAUTION** To prevent damage to the print cartridge, minimize its exposure to direct light.



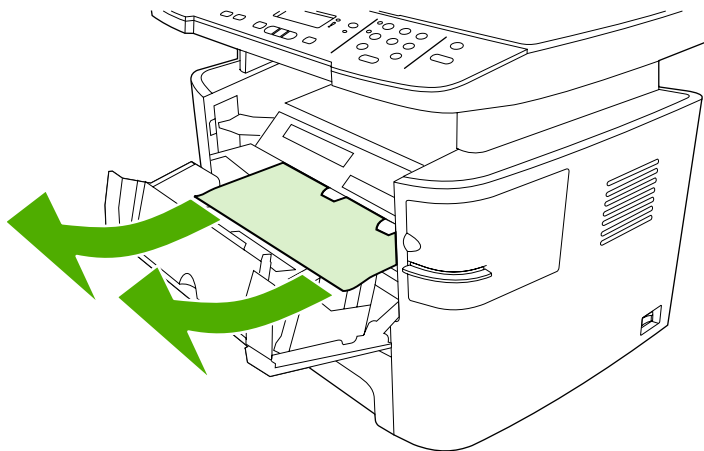
**Figure 6-1** Jams in the print-cartridge area (1 of 5)

2. Open the rear output door, and then rotate the green pressure-release levers downward.



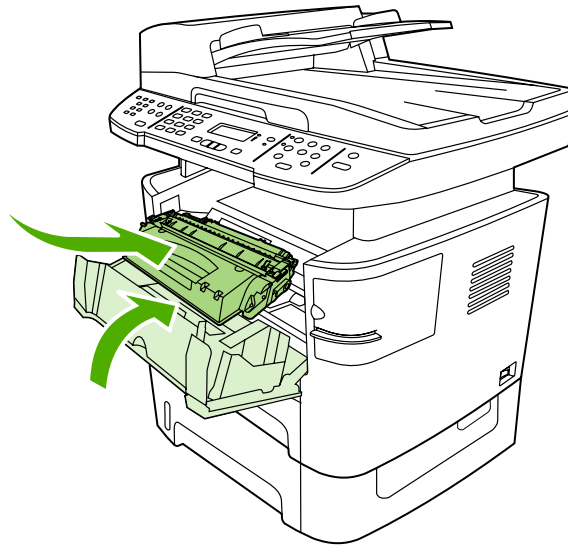
**Figure 6-2** Jams in the print-cartridge area (2 of 5)

3. With both hands, grasp the portion of the media that is the most visible (this includes the middle), and carefully pull it free from the all-in-one.



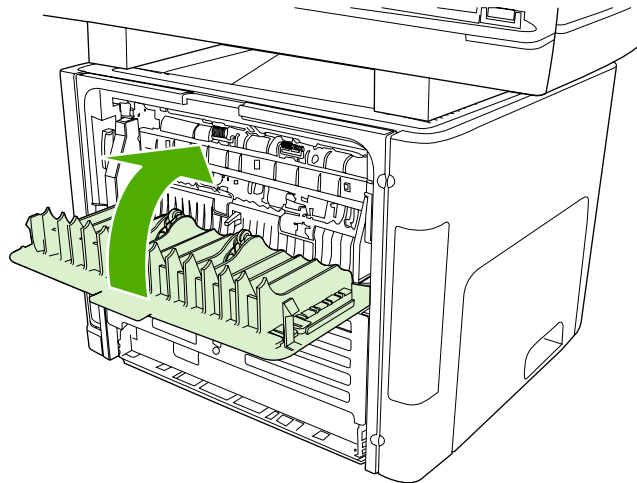
**Figure 6-3** Jams in the print-cartridge area (3 of 5)

4. Replace the print cartridge and close the print-cartridge door.



**Figure 6-4** Jams in the print-cartridge area (4 of 5)

5. Close the rear output door.



**Figure 6-5** Jams in the print-cartridge area (5 of 5)

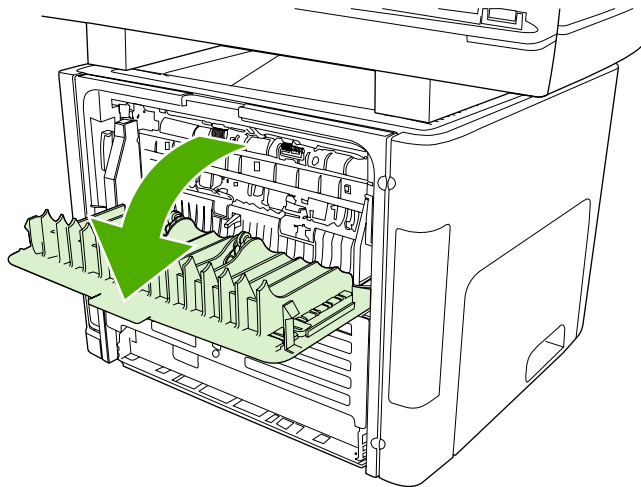
## Jams in the trays

To clear a jam in the tray, perform the following steps:

**CAUTION** Do not use sharp objects, such as tweezers or needle-nose pliers, to remove jams. Damage caused by sharp objects is not covered by the warranty.

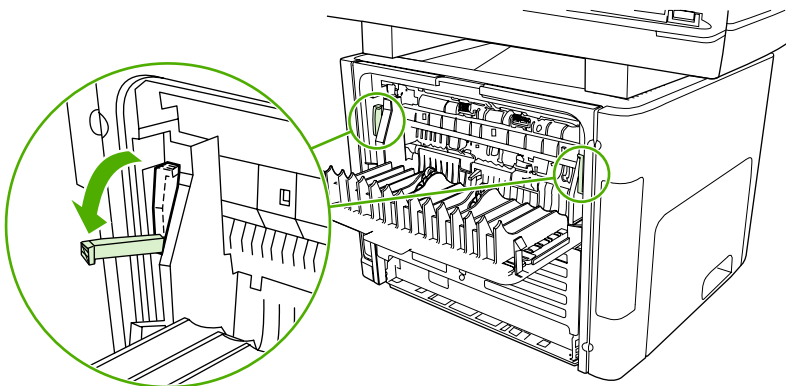
When removing jammed media, pull the jammed media straight away from the all-in-one. Pulling jammed media out of the all-in-one at an angle can damage the all-in-one.

1. Open the rear output door.



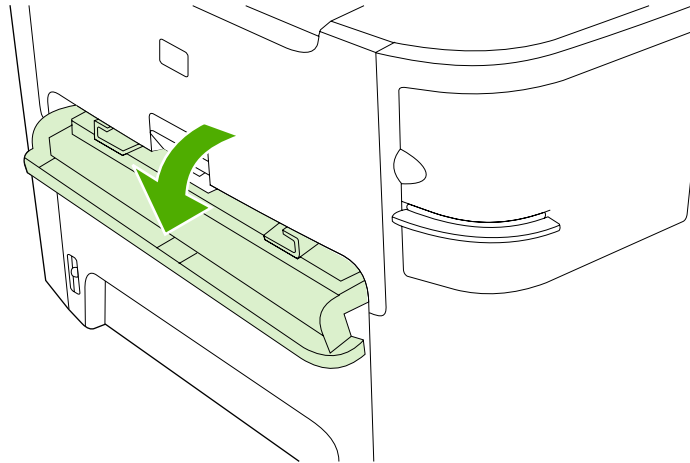
**Figure 6-6** Jams in the trays (1 of 10)

2. Rotate the green pressure-release levers downward.



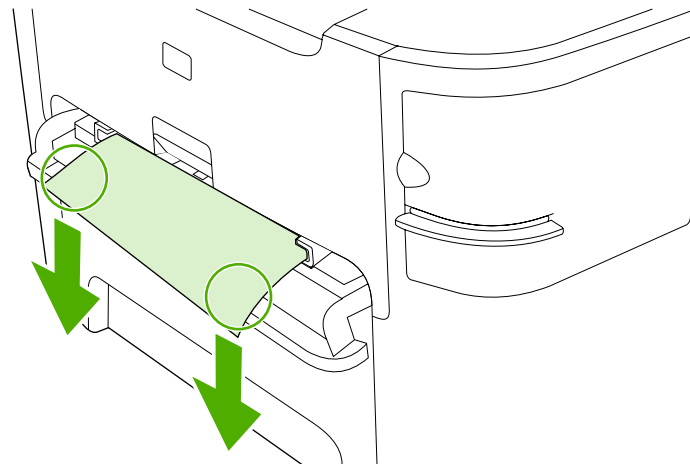
**Figure 6-7** Jams in the trays (2 of 10)

3. Open the single-sheet priority input slot (tray 1).



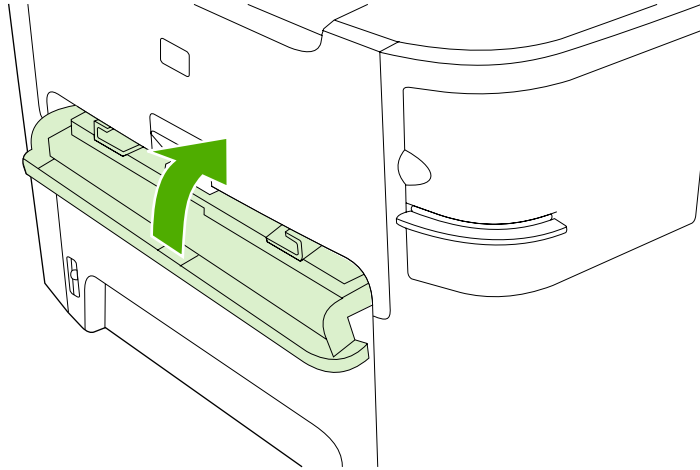
**Figure 6-8** Jams in the trays (3 of 10)

4. If jammed media is visible, with both hands grasp the portion of the media that is the most visible (this includes the middle), and carefully pull it free from the all-in-one.



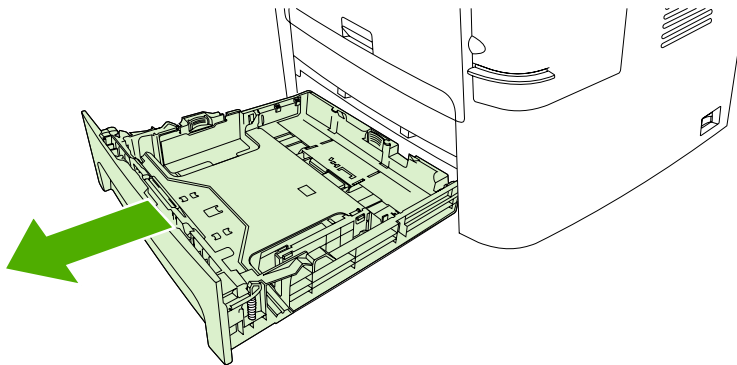
**Figure 6-9** Jams in the trays (4 of 10)

5. Close the single-sheet priority input slot (tray 1).



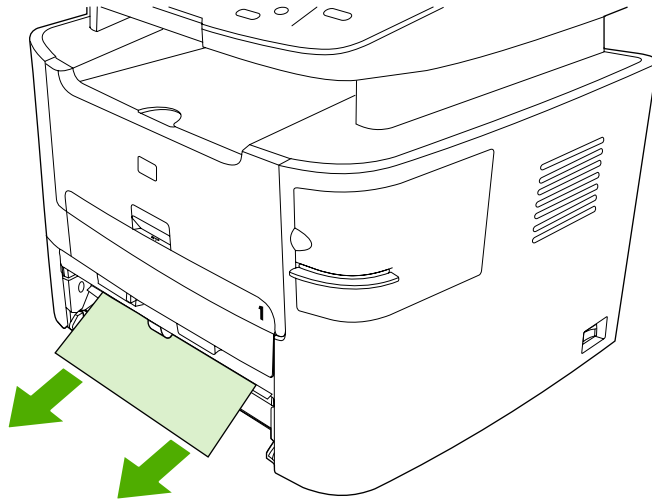
**Figure 6-10** Jams in the trays (5 of 10)

6. Remove the tray 2 or tray 3 cassette.



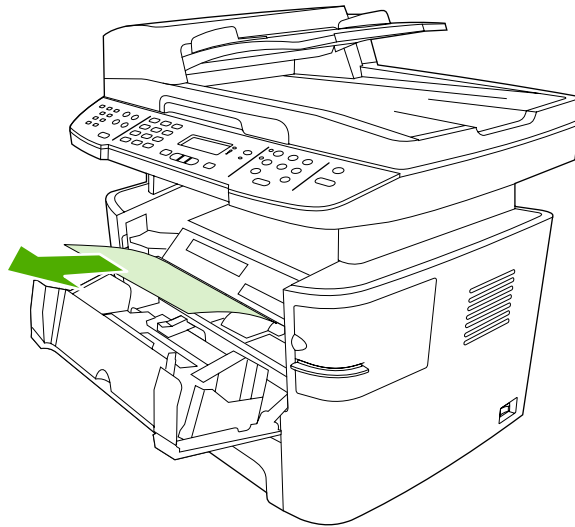
**Figure 6-11** Jams in the trays (6 of 10)

7. If jammed media is visible, use both hands to grasp the portion of the media that is the most visible (this includes the middle), and carefully pull it free from the all-in-one.



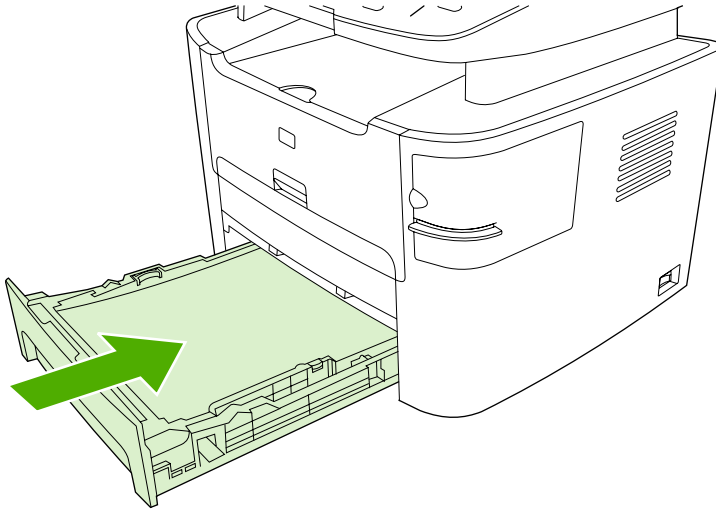
**Figure 6-12** Jams in the trays (7 of 10)

8. If no media is visible, open the print-cartridge door, remove the print cartridge, and rotate the upper media guide. Carefully pull the media up and out of the all-in-one.



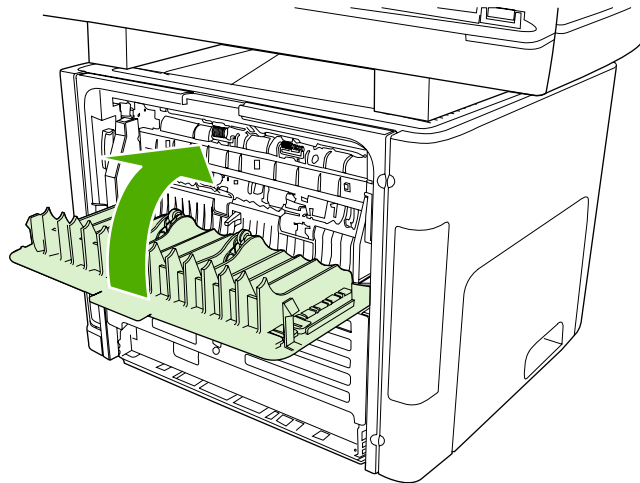
**Figure 6-13** Jams in the trays (8 of 10)

9. Replace the tray 2 or tray 3 cassette.



**Figure 6-14** Jams in the trays (9 of 10)

10. Close the rear output door.



**Figure 6-15** Jams in the trays (10 of 10)

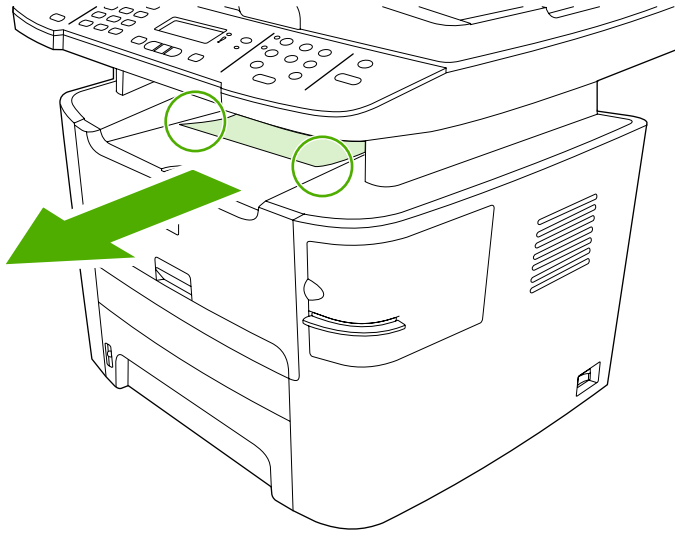


## Jams in the output bin

**CAUTION** Do not use sharp objects, such as tweezers or needle-nose pliers, to remove jams. Damage caused by sharp objects is not covered by the warranty.

When removing jammed media, pull the jammed media straight away from the all-in-one. Pulling jammed media out of the all-in-one at an angle can damage the all-in-one.

With both hands, grasp the portion of the media that is the most visible (this includes the middle), and carefully pull it free from the all-in-one.



**Figure 6-16** Jams in the output bin

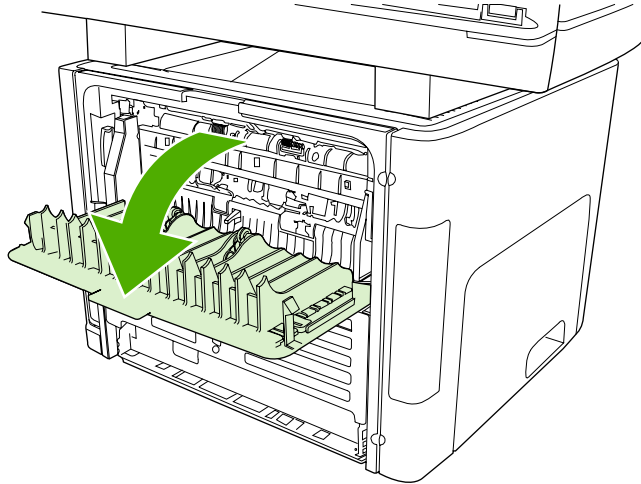
## Jams in the straight-through output path



**CAUTION** Do not use sharp objects, such as tweezers or needle-nose pliers, to remove jams. Damage caused by sharp objects is not covered by the warranty.

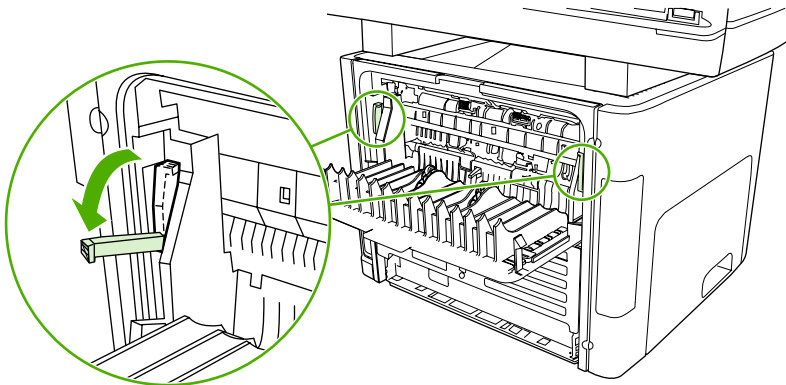
When removing jammed media, pull the jammed media straight away from the all-in-one. Pulling jammed media out of the all-in-one at an angle can damage the all-in-one.

1. Open the rear output door.



**Figure 6-17** Jams in the straight-through output path (1 of 4)

2. Rotate the green pressure release levers downward.

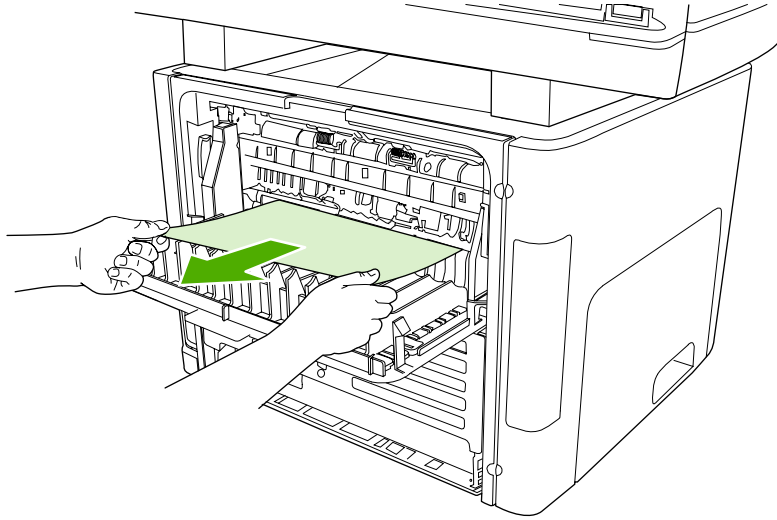


**Figure 6-18** Jams in the straight-through output path (2 of 4)

3. With both hands, grasp the portion of the media that is the most visible (this includes the middle), and carefully pull it free from the all-in-one.

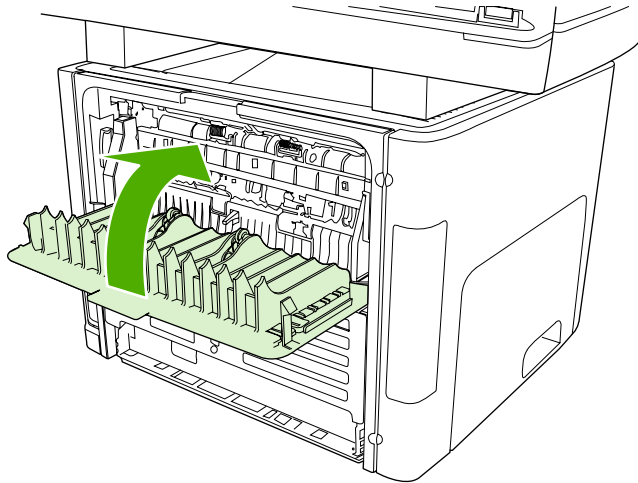


**NOTE** If you cannot grasp the media with your hands, perform the procedure in [Jams in the print-cartridge area on page 183](#).



**Figure 6-19** Jams in the straight-through output path (3 of 4)

4. Close the rear output door.

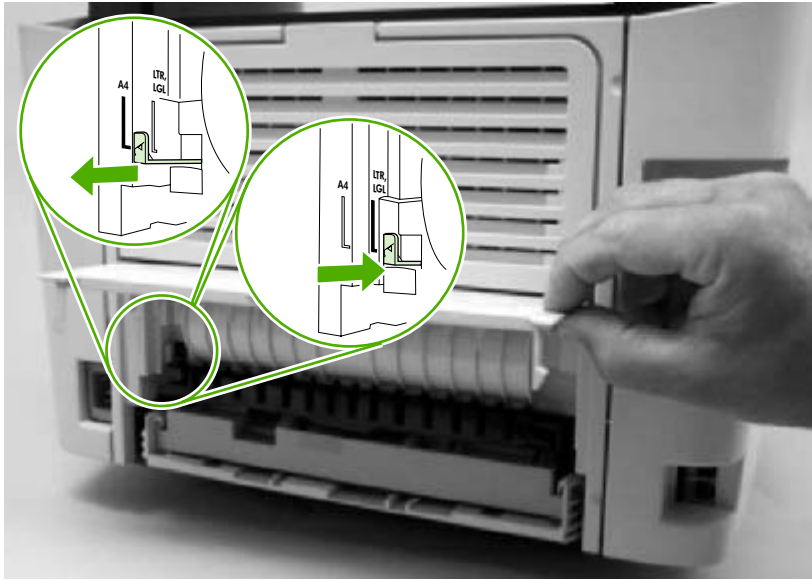


**Figure 6-20** Jams in the straight-through output path (4 of 4)

## Jams in the duplex path



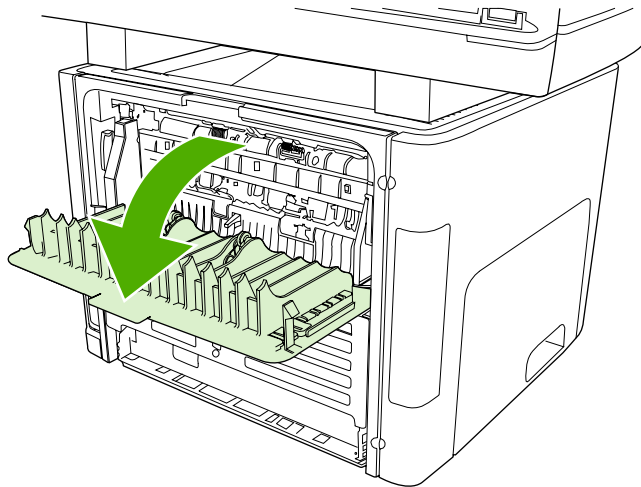
**NOTE** If you are experiencing jams in the duplex paper path, make sure that the duplex-tray lever is set to the correct media size for your country/region. Open the duplex-paper-path door and look at the embossed arrow on the lever. Make sure that it points to the media size for your country/region. If the size needs to be changed, push the lever all the way in for duplex printing on letter- and legal-size media, or pull it all the way out for duplex printing on A4-size media.



**CAUTION** Do not use sharp objects, such as tweezers or needle-nose pliers, to remove jams. Damage caused by sharp objects is not covered by the warranty.

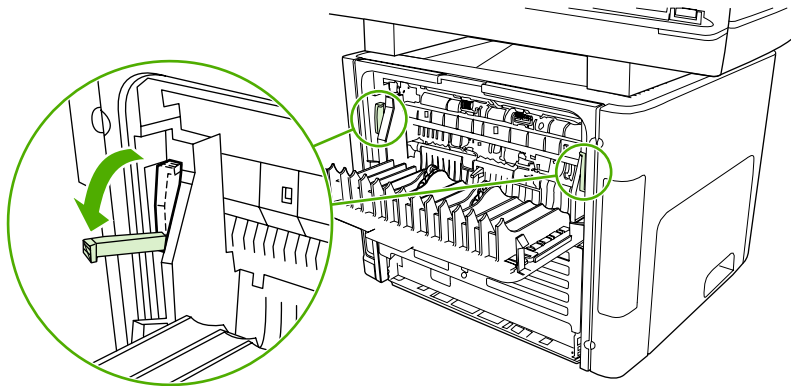
When removing jammed media, pull the jammed media straight away from the all-in-one. Pulling jammed media out of the all-in-one at an angle can damage the all-in-one.

1. Open the rear output door.



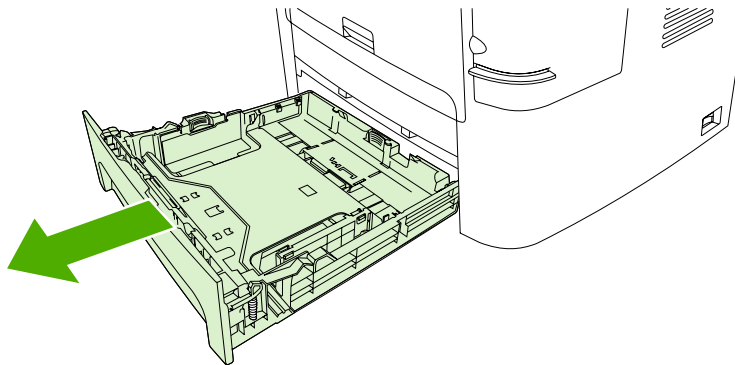
**Figure 6-21** Jams in the duplex path (1 of 10)

2. Rotate the green pressure-release levers downward.



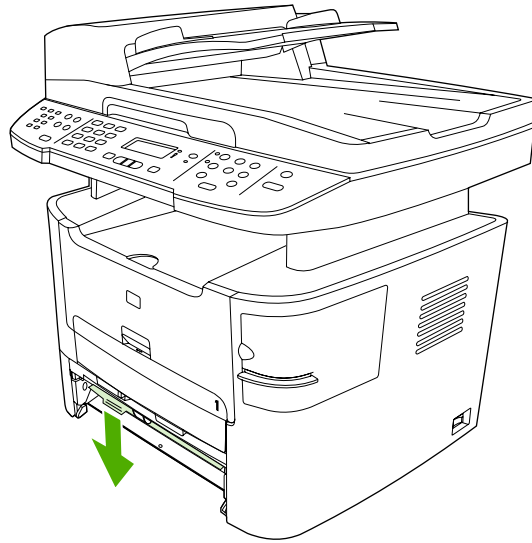
**Figure 6-22** Jams in the duplex path (2 of 10)

3. Remove the tray 2 cassette.



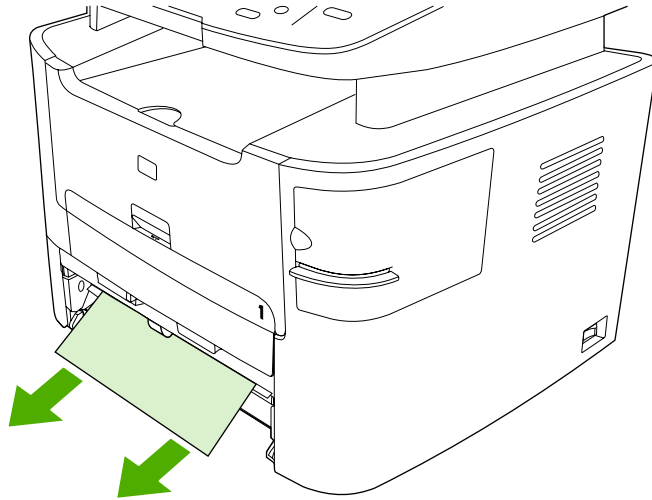
**Figure 6-23** Jams in the duplex path (3 of 10)

4. Push down on the green lever on the duplex assembly.



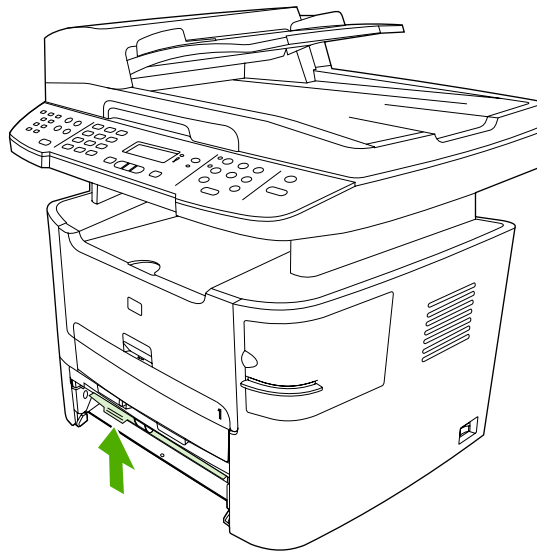
**Figure 6-24** Jams in the duplex path (4 of 10)

5. With both hands, grasp the portion of the media that is the most visible (this includes the middle), and carefully pull it free from the all-in-one.



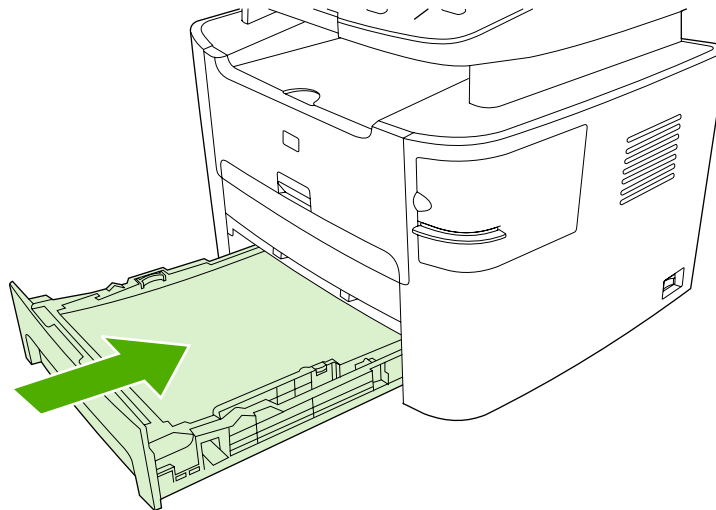
**Figure 6-25** Jams in the duplex path (5 of 10)

6. Close the duplex assembly.



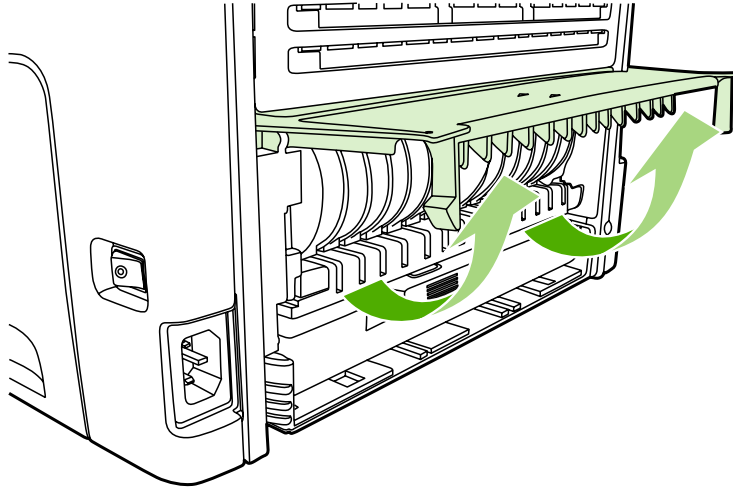
**Figure 6-26** Jams in the duplex path (6 of 10)

7. Replace the tray 2 cassette.



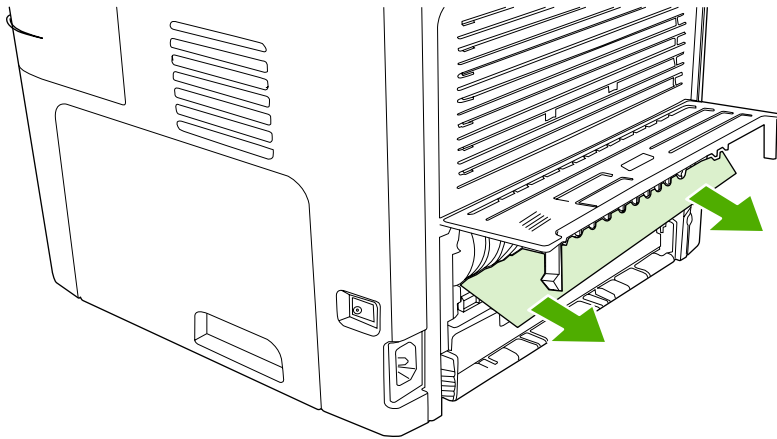
**Figure 6-27** Jams in the duplex path (7 of 10)

8. Close the rear output bin, and then open the duplex-path door on the back of the all-in-one.



**Figure 6-28** Jams in the duplex path (8 of 10)

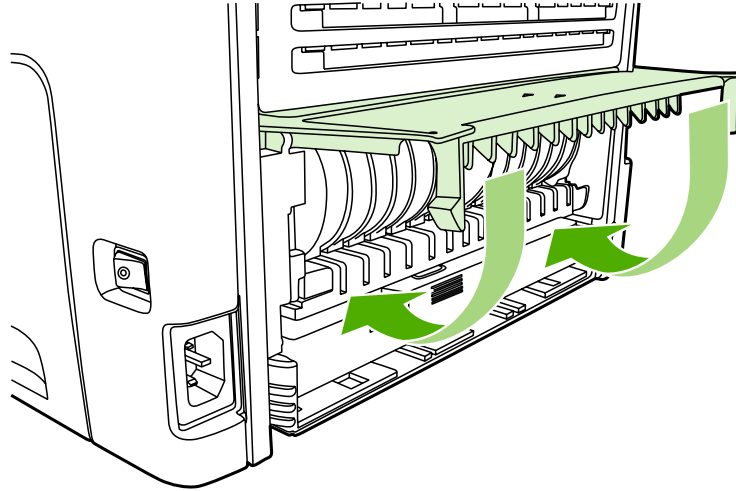
9. With both hands, grasp the portion of the media that is the most visible (this includes the middle), and carefully pull it free from the all-in-one.



**Figure 6-29** Jams in the duplex path (9 of 10)



10. Close the duplex-path door.

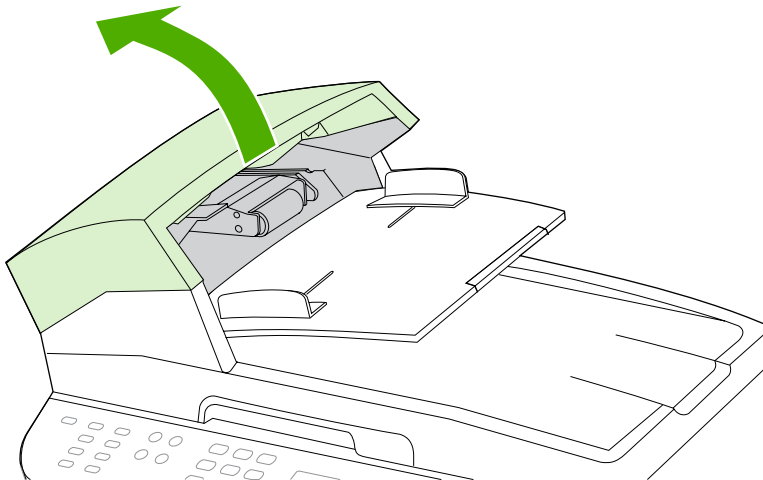


**Figure 6-30** Jams in the duplex path (10 of 10)

## Jams in the ADF

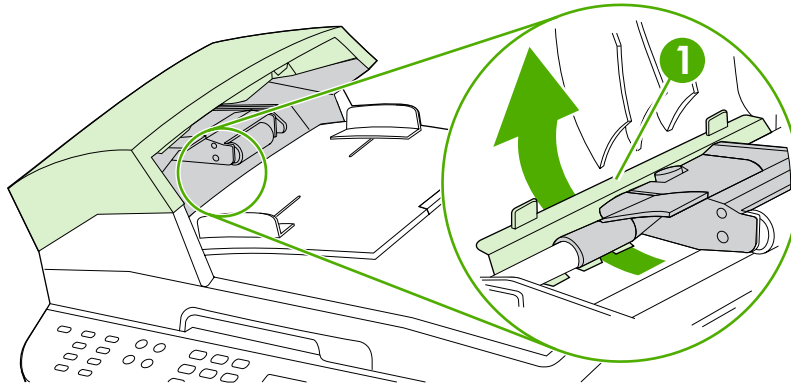
Jams in the ADF can be caused by the following problems.

- The ADF input tray is loaded incorrectly or is too full.
  - The media does not meet HP specifications.
1. Open the ADF cover.



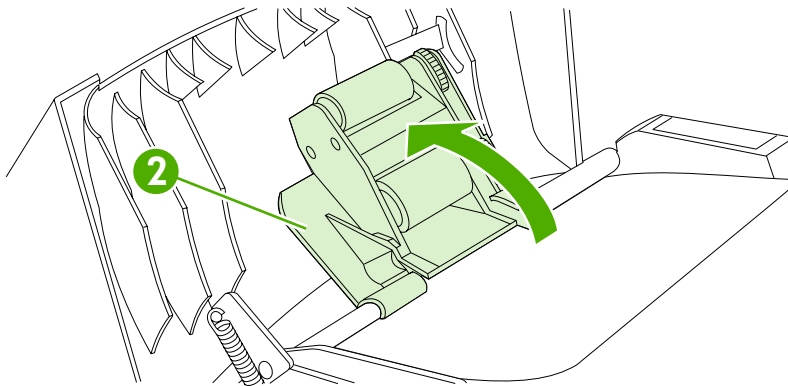
**Figure 6-31** Jams in the ADF (1 of 10)

2. Remove the jam cleanout part (callout 1). Using both hands, lift up until the part unsnaps. Rotate and lift out the cleanout part and set it aside.



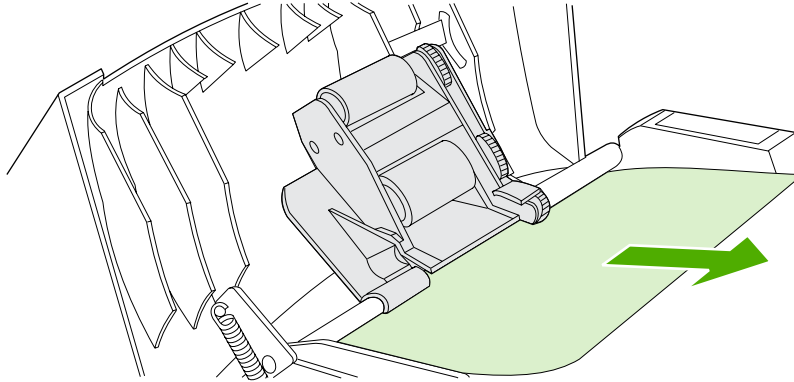
**Figure 6-32** Jams in the ADF (2 of 10)

3. Lifting the green lever (callout 2), rotate the pick mechanism until it stays open.



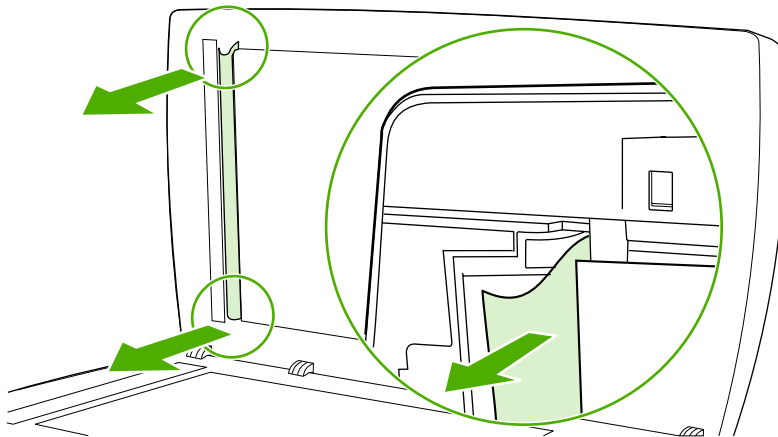
**Figure 6-33** Jams in the ADF (3 of 10)

4. Try to remove the page gently without tearing it. If you feel resistance, go to the next step.



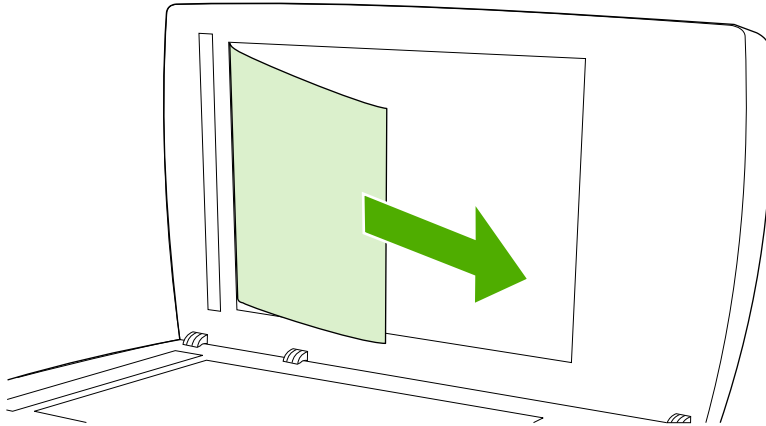
**Figure 6-34** Jams in the ADF (4 of 10)

5. Open the scanner cover and gently loosen the media by using both hands.



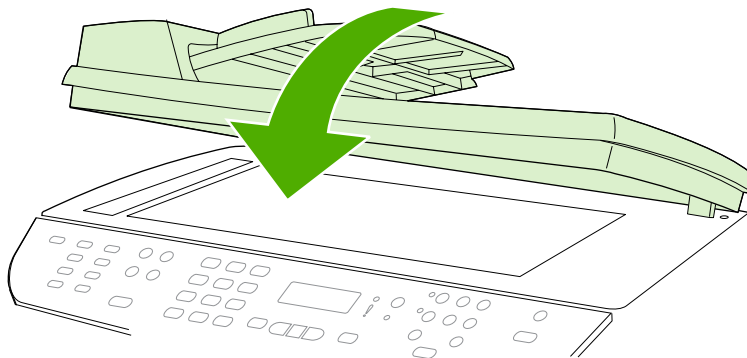
**Figure 6-35** Jams in the ADF (5 of 10)

6. When the media is free, gently pull it out in the direction shown.



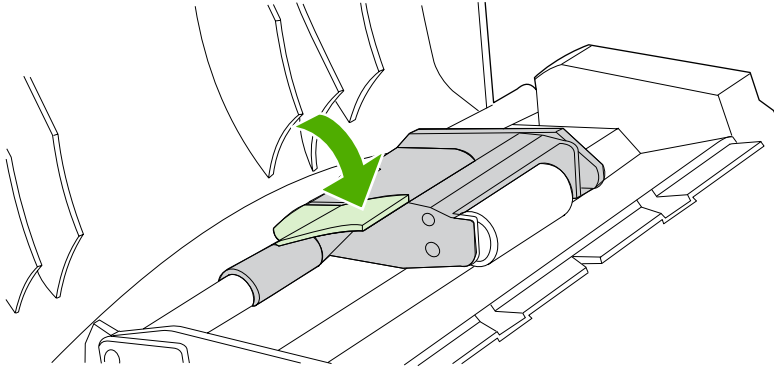
**Figure 6-36** Jams in the ADF (6 of 10)

7. Close the scanner cover.



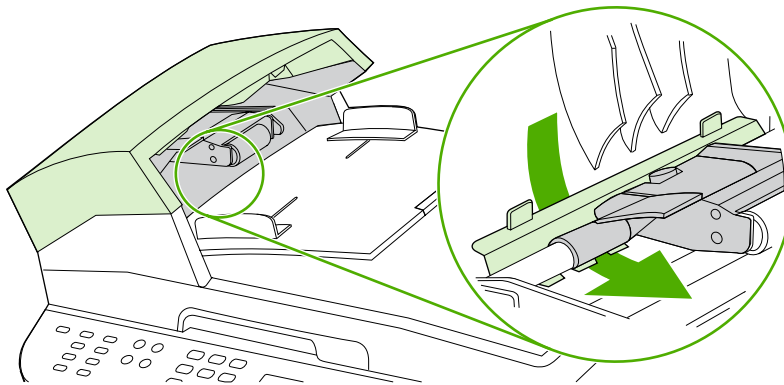
**Figure 6-37** Jams in the ADF (7 of 10)

8. Lower the green lever.



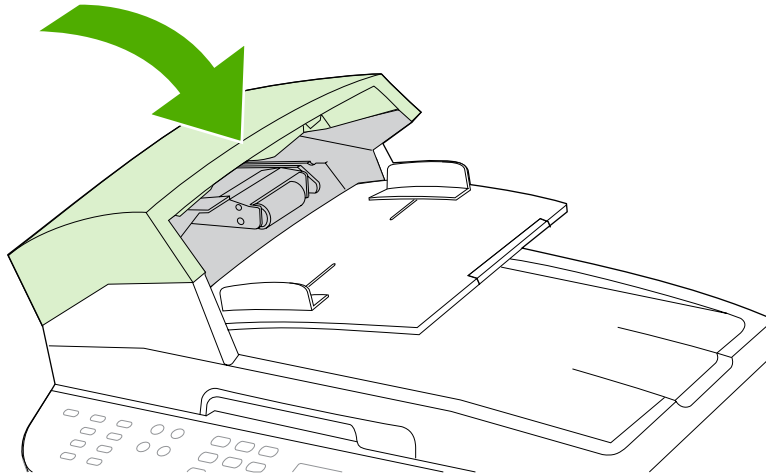
**Figure 6-38** Jams in the ADF (8 of 10)

9. Reinstall the cleanout part by inserting it as shown. Push down on the two tabs until the part snap into place. Install the cleanout part correctly, because future jamming might occur if the cleanout part is not replaced correctly.



**Figure 6-39** Jams in the ADF (9 of 10)

10. Close the ADF cover.



**Figure 6-40** Jams in the ADF (10 of 10)

### Jams in the convenience stapler (HP LaserJet 3392 only)

To reduce the risk of staple jams, make sure that you staple 20 or fewer pages of media (80 g/m<sup>2</sup> or 20 lb) at a time.

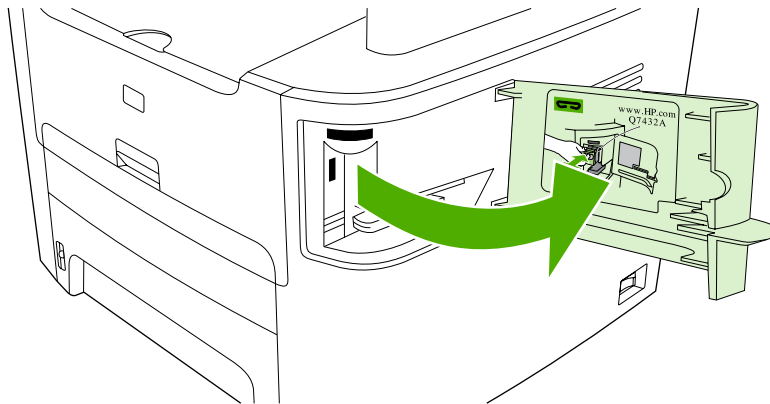
1. Turn off the all-in-one, and open the convenience-stapler door.



---

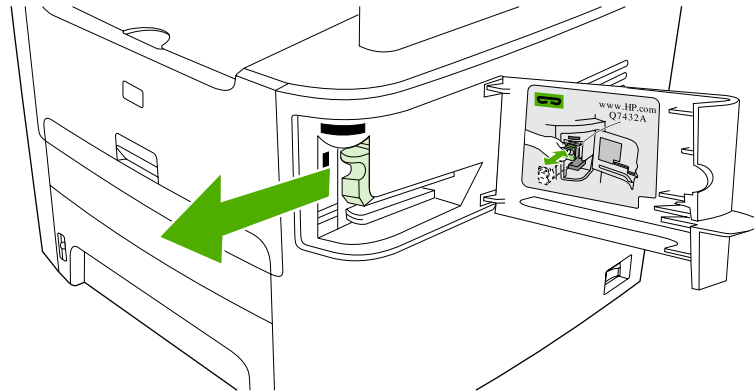
**NOTE** Opening the convenience-stapler door disables the convenience stapler.

---



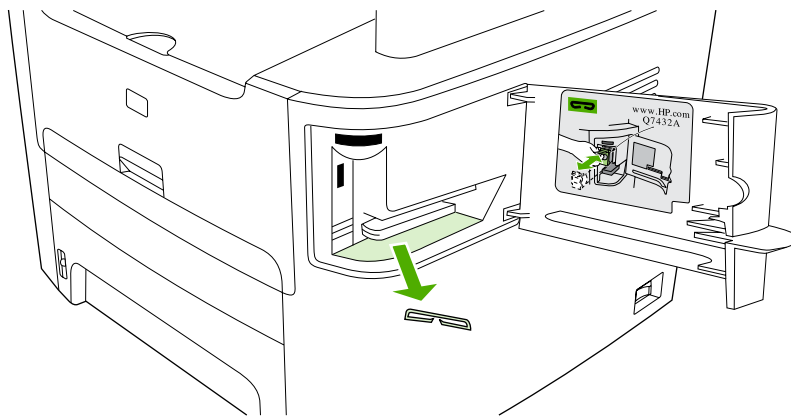
**Figure 6-41** Jams in the convenience stapler (1 of 5)

2. Remove the staple cassette.



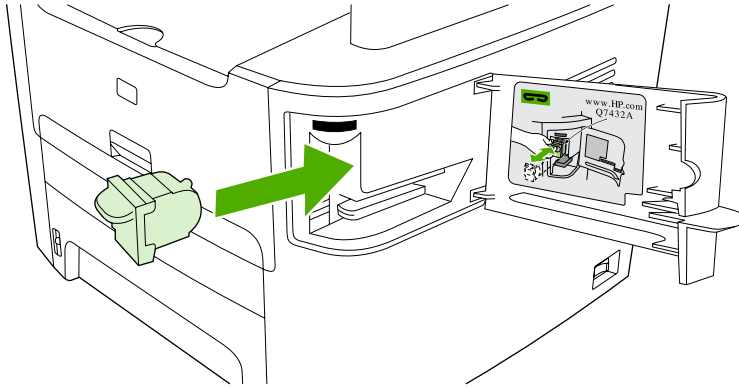
**Figure 6-42** Jams in the convenience stapler (2 of 5)

3. Clear any loose staples from the convenience stapler and from the staple cassette.



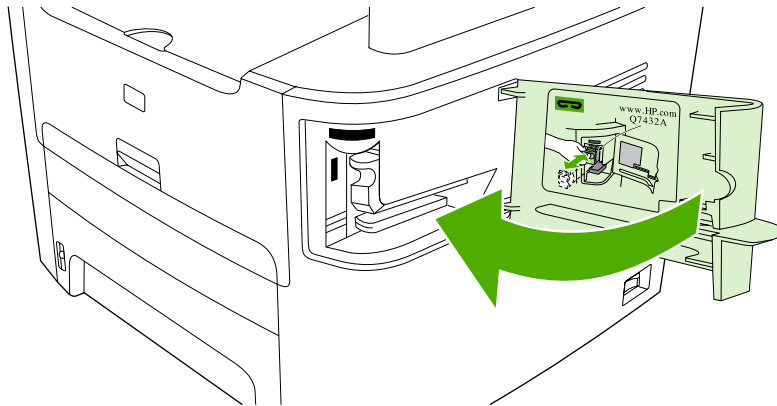
**Figure 6-43** Jams in the convenience stapler (3 of 5)

4. Replace the staple cassette.



**Figure 6-44** Jams in the convenience stapler (4 of 5)

5. Close the convenience stapler-door and turn on the all-in-one. If the jam persists, repeat this procedure.




**Figure 6-45** Jams in the convenience stapler (5 of 5)



# Control-panel messages

The control-panel messages indicate the status of the current operation, and include a page count on the second line of the display, if appropriate. When the all-in-one is receiving fax data, print data, or scanning commands, the control-panel messages indicate this status. In addition, alerts and warning messages, and critical-error messages indicate situations that might require some action

## Alerts and warning messages

Alerts and warning messages appear temporarily and might require the user to acknowledge the message by pressing  to resume or by pressing **Cancel** to cancel the job. With certain warnings, the job might not be completed or the print-quality might be affected. If the alert or warning message is related to printing and the auto-continue feature is on, the all-in-one will attempt to resume the printing job after the warning has appeared for 10 seconds without acknowledgement.

**Table 6-1** Alerts and warning messages

Control-panel message	Event-log error message	Description	Recommended action
<b>10.XXXX</b>	10.0000; black e-label error	The print cartridge is not installed correctly.	<ol style="list-style-type: none"><li>1. Reinstall the print cartridge.</li><li>2. Power-cycle all-in-one.</li><li>3. If the problem is not solved, replace the cartridge.</li></ol>
	10.1000; black e-label missing		
	10.3000; non-HP black		
	10.3100; non-HP cloned black		
	10.3200; unauthorized black		
<b>ADF door is open</b>	None	The ADF cover is open or a sensor is malfunctioning.	Make sure that the ADF cover is closed.  Remove the ADF and reinstall it.  If the message persists, turn off the power by using the power switch, wait at least 30 seconds, and then turn on the power and wait for the all-in-one to initialize.  Try another power source.
<b>Canceled copy. Clear document</b>	None	The <b>Cancel</b> button was pressed to cancel the current job while pages were feeding from the ADF. The cancel process does not automatically clear the ADF.	Remove the jammed item. See <a href="#">Jams in the ADF on page 199</a> . Then, clear the items in the ADF tray and start over.
<b>Canceled scan. Clear document</b>	None	The <b>Cancel</b> button was pressed to cancel the current job while pages were feeding from the ADF. The cancel process does not automatically clear the ADF.	Remove the jammed item. See <a href="#">Jams in the ADF on page 199</a> . Then, clear the items in the ADF tray and start over.
<b>Canceled send. Clear document</b>	None	The <b>Cancel</b> button was pressed to cancel the current job while pages were feeding from the ADF tray. The cancel process does not automatically clear the ADF.	Remove the jammed item. See <a href="#">Jams in the ADF on page 199</a> . Then, clear the items in the ADF tray and start over.

**Table 6-1** Alerts and warning messages (continued)

Control-panel message	Event-log error message	Description	Recommended action
<b>Comm. error</b>	None	A fax communication error occurred between the all-in-one and the sender or receiver.	<p>Allow the all-in-one to retry sending the fax. Unplug the all-in-one telephone cord from the wall, plug in a telephone, and try making a call. Plug the all-in-one phone cord into a jack for another phone line.</p> <p>Try a different phone cord.</p>
<b>Device error. [✓] to cont.</b>	None	The all-in-one experienced an internal communication error.	This is a warning message only. Job output might be affected.
<b>Device is busy. Try again later</b>	None	The all-in-one is currently in use.	Wait for the all-in-one to finish the current job.
<b>Doc feeder jam Clear, Reload</b>	None	A piece of media is jammed in the ADF tray.	Open the ADF cover, clear the jam, close the ADF cover, and reload the paper into the ADF tray.
<b>Document feeder misspick. Reload</b>	None	The media in the ADF tray was not picked up.	Remove the media from the ADF tray, and then reload it.
<b>Engine error press ✓</b>	55.4000	The all-in-one experienced an internal communication error.	This is a warning message only. Job output might be affected.
<b>Fax delayed – Send memory full</b>	None	The fax memory is full.	Cancel the fax by pressing ✓ or <b>Cancel</b> . Resend the fax. You might need to send the fax in multiple sections if the error occurs again.
<b>Fax is busy Canceled send</b>	None	The fax line to which you were sending a fax was busy. The all-in-one has canceled sending the fax.	<p>Call the recipient to ensure that the fax machine is on and ready.</p> <p>Check that you are dialing the correct fax number.</p> <p>Check that the <b>Redial if busy</b> option is enabled.</p> <p>Check for a dial tone on the phone line by pressing <b>Start Fax</b>.</p> <p>Make sure that the phone is working by disconnecting the all-in-one, plugging in a telephone to the phone line, and making a voice call.</p> <p>Plug the all-in-one phone cord into a jack for another phone line, and then try sending the fax again.</p> <p>Try a different phone cord.</p>
<b>Fax is busy Redial pending</b>	None	The fax line to which you were sending a fax was busy. The all-in-one automatically redials the busy number.	<p>Allow the all-in-one to retry sending the fax.</p> <p>Call the recipient to ensure that the fax machine is on and ready.</p>

**Table 6-1** Alerts and warning messages (continued)

Control-panel message	Event-log error message	Description	Recommended action
			<p>Check that you are dialing the correct fax number.</p> <p>Check for a dial tone on the phone line by pressing <b>Start Fax</b>.</p> <p>Make sure that the phone is working by disconnecting the all-in-one, plugging in a telephone to the phone line, and making a voice call.</p> <p>Plug the all-in-one phone cord into a jack for another phone line, and try sending the fax again.</p> <p>Try a different phone cord.</p>
<b>Fax memory full Canceling recv.</b>	None	During the fax transmission, the all-in-one ran out of memory. Only the pages that fit into memory will be printed.	<p>Print all of the faxes and have the sender resend the fax. Cancel all fax jobs or clear the faxes from memory.</p> <p>Note: Adding a memory DIMM does not help resolve this issue.</p>
<b>Fax memory full Canceling send</b>	None	During the fax job, the memory filled. All pages of the fax have to be in memory in order for a fax job to work correctly. Only the pages that fit into memory were sent.	<p>Print all of the received faxes or wait until all pending faxes are sent.</p> <p>Ask the sender to send the fax again.</p> <p>Cancel all fax jobs or clear the faxes from memory.</p>
<b>Fax recv. error</b>	None	An error occurred while trying to receive a fax.	<p>Ask the sender to resend the fax.</p> <p>Try faxing back to the sender or another fax machine.</p> <p>Check for a dial tone on the phone line by pressing <b>Start Fax</b>.</p> <p>Check that the telephone cord is securely connected by unplugging and replugging the cord.</p> <p>Make sure that you are using the telephone cord that came with the all-in-one.</p> <p>Make sure that the phone is working by disconnecting the all-in-one, plugging in a telephone to the phone line, and making a voice call.</p> <p>Turn off error-correction mode (ECM), and turn off V.34. Ask the sender to resend the fax.</p>

**Table 6-1** Alerts and warning messages (continued)

Control-panel message	Event-log error message	Description	Recommended action
			Connect the all-in-one to a different phone line.
<b>Fax Send error</b>	None	An error occurred while trying to send a fax.	<p>Try resending the fax.</p> <p>Try faxing to another fax number.</p> <p>Check for a dial tone on the phone line by pressing <b>Start Fax</b>.</p> <p>Check that the telephone cord is securely connected by unplugging and replugging the cord.</p> <p>Make sure that you are using the telephone cord that came with the all-in-one.</p> <p>Make sure that the phone is working by disconnecting the all-in-one, plugging in a telephone to the phone line, and making a voice call.</p> <p>Connect the all-in-one to a different phone line.</p> <p>Set the fax resolution to <b>Standard</b> instead of the default of <b>Fine</b>.</p>
<b>Fit to Page on flatbed only</b>	None	The copy reduce/enlarge feature (called <b>Fit to Page</b> ) applies only to copies made from the flatbed scanner.	Use the flatbed or select another reduction/enlargement setting.
<b>Group dial not allowed in group</b>	None	The speed-dial code that you typed is programmed for a group. Adding a group-dial to another group-dial is not allowed.	Add one-touch buttons (programmed as an individual speed dial) or individual speed-dial codes to a group-dial.
<b>Invalid date</b>	None	An invalid date was specified, such as June 35.	Retype the date.
<b>Invalid driver Press ✓</b>	None	You are using the incorrect printer driver.	Select the printer driver that is appropriate for your all-in-one.
<b>Invalid entry</b>	None	Invalid data or response	Correct the entry.
<b>Mem. low 1 copy. Press [cancel]</b>	None	The all-in-one completed making one copy. The remaining copies have been canceled because of low memory.	Press <b>Cancel</b> to clear the error. Break the job into smaller jobs that contain fewer pages.
<b>Memory is low Try again later</b>	None	The all-in-one does not have enough memory to start a new job.	Wait until the current job is finished before starting a new job.
<b>Memory is low. Press ✓</b>	None	The all-in-one memory has been almost completely filled.	Allow the all-in-one to finish the job, or press ✓ to cancel the job.
<b>Memory low Only 1 copy made</b>	None	The all-in-one does not have enough memory to complete the collated copy job.	Break the job into smaller jobs that contain fewer pages.

**Table 6-1** Alerts and warning messages (continued)

Control-panel message	Event-log error message	Description	Recommended action
<b>No Dial Tone</b>	None	The all-in-one could not detect a dial tone.	<p>Check for a dial tone on the phone line by pressing <b>Start Fax</b>.</p> <p>Unplug the telephone cord from both the all-in-one and the wall and replug the cord.</p> <p>Make sure that you are using the telephone cord that came with the all-in-one.</p> <p>Unplug the all-in-one telephone cord from the wall, plug in a telephone, and try making a voice call.</p> <p>Plug the all-in-one phone cord into a jack for another phone line.</p>
<b>No document sent</b>	None	The all-in-one did not scan any pages, or it did not receive any pages from the computer to transmit in a fax.	<p>Try sending the fax again.</p>
<b>No fax answer Redial pending</b>	None	The receiving fax line did not answer. The all-in-one attempts to redial after a few minutes.	<p>Allow the all-in-one to retry sending the fax.</p> <p>Call the recipient to ensure that the fax machine is on and ready.</p> <p>Check that you are dialing the correct fax number.</p> <p>If the all-in-one continues to redial, unplug the all-in-one telephone cord from the wall, plug in a telephone, and try making a voice call.</p> <p>Plug the all-in-one phone cord into a jack for another phone line.</p> <p>Try a different phone cord.</p>
<b>No fax answer. Canceled send</b>	None	Attempts to redial a fax number failed, or the <b>Redial-no answer</b> option was turned off.	<p>Call the recipient to ensure that the fax machine is on and ready.</p> <p>Check that you are dialing the correct fax number.</p> <p>Check that the redial option is enabled.</p> <p>Unplug the telephone cord from both the all-in-one and the wall and replug the cord.</p> <p>Unplug the all-in-one telephone cord from the wall, plug in a telephone, and try making a voice call.</p> <p>Plug the all-in-one phone cord into a jack for another phone line.</p>

**Table 6-1** Alerts and warning messages (continued)

Control-panel message	Event-log error message	Description	Recommended action
No fax detected	None	The all-in-one answered the incoming call but did not detect that a fax machine was calling.	<p>Allow the all-in-one to retry receiving the fax.</p> <p>Try a different phone cord.</p> <p>Plug the all-in-one phone cord into a jack for another phone line.</p>
No paper pickup ✓ to cont.	None	The all-in-one has failed to pick up a piece of media.	<p>Verify that the media was inserted far enough into the input tray. In tray 2, verify that the paper-length guide is in the correct position for the media size that you are using.</p> <p>Reload the media in the input tray and press ✓ to continue the job.</p>
Page too complex ✓ to cont.	none	The all-in-one could not print the current page because of its complexity.	<p>Press ✓ to clear the message.</p> <p>Allow the all-in-one to finish the job, or press <b>Cancel</b> to cancel the job.</p>
Paper jam in (area)	13.0000	The all-in-one has detected a jam in one of the following areas: tray 1, tray 2, optional tray 3, the registration area, or the fuser.	<p>Clear the jam from the area indicated on the all-in-one control panel, and then follow the control panel instructions. See <a href="#">Jams on page 181</a>.</p>
Scanner reserved for PC scan	None	A computer is using the all-in-one to create a scan.	<p>Wait until the computer scan has finished, or cancel the scan from the computer software, or press <b>Cancel</b>.</p>
Scanning error Cannot connect	52.0000	The all-in-one cannot transmit scan information to a computer.	<p>Verify that the connection cable is not loose or damaged. Replace the cable if necessary, and try the scan again.</p>
Settings cleared	None	The all-in-one has cleared job settings.	<p>Specify any appropriate job settings.</p>
Unauthorized supply in use/ Unauthorized black to accept press ✓.	None	A new supply has been installed that is not made by HP. This message is shown until an HP supply is installed or ✓ is pressed.	<p>If you believe you purchased an HP supply, please call the HP fraud hotline at 1-877-219-3183. Service or repairs that are required as a result of using non-HP supplies is not covered under HP warranty.</p> <p>To continue printing, press ✓. The first pending job will be cancelled.</p>

## Critical-error message-tables

Critical error messages can indicate some kind of failure. Turning the all-in-one power off and then on might fix the problem. If a critical error persists, the all-in-one might require service.

**Table 6-2** Critical-error messages

Control-panel message	Description	Recommended action
Scanner error # Turn off then on	<p>The scanner assembly has experienced an internal error.</p> <p>1 = dark find</p> <p>2 = LMW temp find</p> <p>3 = bulb warm up from off</p> <p>4 = bulb warm up from coarse</p> <p>5 = cal label find</p> <p>6 = doc original find</p> <p>7 = LMW final find</p> <p>8 = cal label find after scan</p> <p>9 = cal label find prior to standby</p> <p>10 = doc original find prior to standby</p> <p>11 = bulb warm up from standby</p>	<p>Turn the all-in-on off, and then on.</p> <p>If the error persists, replace the scanner assembly. See <a href="#">Scanner/ADF assembly on page 129</a>.</p> <p>If the error persists, replace the formatter. See <a href="#">Formatter on page 143</a>.</p>
<b>49 Error</b>	The all-in-one has experienced an internal embedded software error.	Turn off the power by using the power switch, wait at least 30 seconds, and then turn on the power and wait for the all-in-one to initialize.
<b>50.x Fuser Error</b>	The all-in-one has experienced an internal hardware error.	<ol style="list-style-type: none"> <li>1. Turn off the power by using the power switch, and then wait at least 30 seconds.</li> <li>2. If a surge protector is being used, remove it. Plug the all-in-one directly into the electrical outlet.</li> <li>3. Turn on the power and wait for the all-in-one to initialize.</li> </ol>
<b>51 Laser Error</b>	The all-in-one has experienced an internal hardware error.	<p>Turn off the power by using the power switch, wait at least 30 seconds, and then turn on the power and wait for the all-in-one to initialize.</p> <p>If a surge protector is being used, remove it. Plug the all-in-one directly into the electrical outlet. Use the power switch to turn the all-in-one on.</p>
<b>52 Scanner Error</b>	The all-in-one has experienced an internal hardware error.	<p>Turn off the power by using the power switch, wait at least 30 seconds, and then turn on the power and wait for the all-in-one to initialize.</p> <p>If a surge protector is being used, remove it. Plug the all-in-one directly into the electrical outlet. Use the power switch to turn the all-in-one on.</p>
<b>55.1 Error</b>	The all-in-one has experienced an internal hardware error.	Turn off the power by using the power switch, wait at least 30 seconds, and then turn on the power and wait for the all-in-one to initialize.

**Table 6-2** Critical-error messages (continued)

Control-panel message	Description	Recommended action
		If a surge protector is being used, remove it. Plug the all-in-one directly into the electrical outlet. Use the power switch to turn the all-in-one on.
<b>57 Fan Error</b>	The all-in-one has experienced a problem with its internal fan.	Turn off the power by using the power switch, wait at least 30 seconds, and then turn on the power and wait for the all-in-one to initialize.
<b>79 Error Turn off then on</b>	The all-in-one has experienced an internal firmware error.	<p>Turn off the power by using the power switch, wait at least 30 seconds, and then turn on the power and wait for the all-in-one to initialize.</p> <p>If you have already installed a memory DIMM in the all-in-one, turn off the all-in-one, remove the memory DIMM, reinstall the DIMM to verify that it is seated properly, and then turn on the all-in-one.</p> <p>If a surge protector is being used, remove it. Plug the all-in-one directly into the electrical outlet. Use the power switch to turn on the all-in-one.</p>



# Print problems

## Print-quality problems

The information in the following sections helps you identify and resolve print-quality issues.



---

**NOTE** If you are having copy problems, see [Copy problems on page 228](#).

---

## Improving print quality

Use the print-quality settings to prevent print-quality problems.

### Understanding print-quality settings

Print-quality settings affect how light or dark the print is on the page and the style in which the graphics are printed. You can also use the print-quality settings to optimize the print quality for a specific media type.

You can change the settings in the all-in-one properties to accommodate the types of jobs that you are printing. The following settings are available, depending on the printer driver that you are using:

- **600 dpi**
- **Custom:** This setting produces the same resolution as the default setting, but you can change the scale patterns.



---

**NOTE** Changing the resolution can change the formatting of your text.

---

### To temporarily change print-quality settings

To change the print-quality settings only for the current software program, open the properties through the **Print Setup** menu in the program that you are using to print.

## To change print-quality settings for all future jobs



**NOTE** For Macintosh instructions, see the user guide.

For Windows 98, Windows 2000, and Windows Me:

1. In the Windows system tray, click **Start**, select **Settings**, and then click **Printers**.
2. Right-click the all-in-one icon.
3. Click **Properties** (in Windows 2000, you can also click **Printing Preferences**).
4. Change the settings, and click **OK**.

For Windows XP:

1. In the Windows system tray, click **Start**, click **Control Panel**, and then click **Printers and Faxes**.
2. Right-click the all-in-one icon.
3. Click **Properties**, or click **Printing Preferences**.
4. Change the settings, and click **OK**.

## Identifying and correcting print defects

Use the checklist and print-quality issues charts in this section to solve print-quality problems.

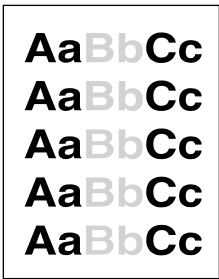
### Print-quality checklist

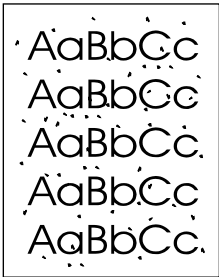
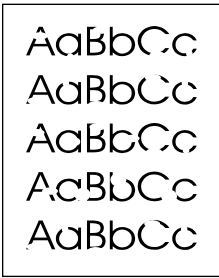
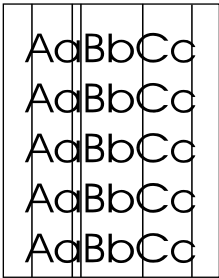
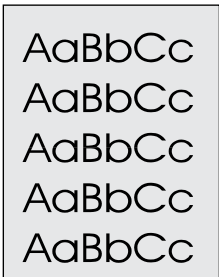
General print-quality problems can be solved by using the following checklist:

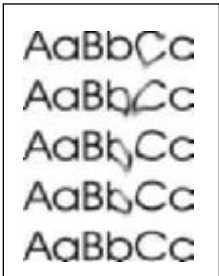
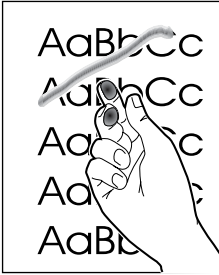
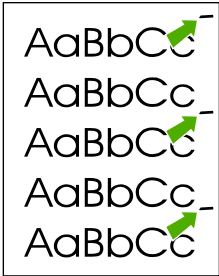
1. Make sure that the paper or print media that you are using meets specifications. Generally, smoother paper provides better results.
2. If you are using a special print media such as labels, transparencies, glossy paper, or letterhead, ensure that you have printed by type.
3. Print a Configuration page and Supplies Status page at the all-in-one control panel.
  - Check the Supplies Status page to see if any supplies are low or empty. No information is provided for non-HP print cartridges.
4. Print a Demo page from the HP ToolboxFX. If the page prints, the problem is with the printer driver. Try printing from another printer driver. For example, if you are using the PCL 6 printer driver, print from the PS printer driver.
  - Use the Add Printer Wizard in the **Printers** (or **Printers and Faxes** in Windows XP) dialog box to install the PS driver.
5. Try printing from a different program. If the page prints correctly, the problem is with the program from which you were printing.
6. Restart the computer and the all-in-one and try printing again. If the problem is not resolved, see [General print-quality issues on page 217](#).

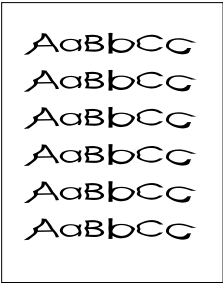
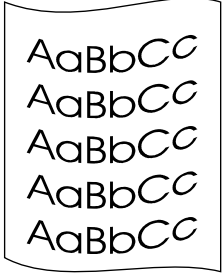
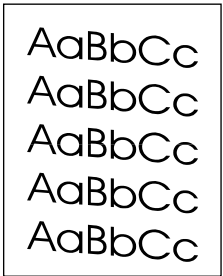
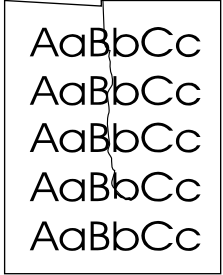
### General print-quality issues

The following examples depict letter-size paper that has passed through the all-in-one short-edge-first. These examples illustrate problems that would affect all of the pages that you print. The topics that follow list the typical cause and solution for each of these examples.

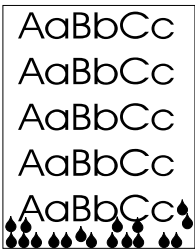
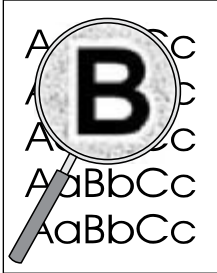
Problem	Cause	Solution
	The media might not meet HP specifications.	Use media that meets HP specifications. Make sure that the media meets specifications in the <i>HP LaserJet Printer Family Print Media Guide</i> .
	The print cartridge might be low. If you use a non-HP print cartridge, no messages appear on the all-in-one control panel or in the HP ToolboxFX.	Replace the print cartridge. See <a href="#">Remove the print cartridge on page 113</a> . If the print cartridge is not low or empty, inspect the transfer roller to see if it is damaged. If it is not, replace the print cartridge.
	If the whole page is light, the print density adjustment is too light or EconoMode might be turned on.	Adjust the print density, and disable EconoMode in the all-in-one Properties.
Toner specks appear.	The media might not meet HP specifications.	Use media that meets HP specifications. Make sure that the media meets

Problem	Cause	Solution
	<p>The paper path might need to be cleaned.</p>	<p>specifications in the <i>HP LaserJet Printer Family Print Media Guide</i>.</p> <p>Clean the paper path. See <a href="#">Cleaning the print path on page 63</a>, or see the HP ToolboxFX online Help.</p>
<p>Dropouts appear.</p> 	<p>A single sheet of print media might be defective.</p> <p>The moisture content of the paper is uneven or the paper has moist spots on its surface.</p> <p>The paper lot is flawed. The manufacturing processes can cause some areas to reject toner.</p> <p>The print cartridge might be defective.</p>	<p>Try reprinting the job.</p> <p>Try different paper, such as high-quality paper that is intended for laser printers.</p> <p>Try different paper, such as high-quality paper that is intended for laser printers.</p> <p>Replace the print cartridge. See <a href="#">Remove the print cartridge on page 113</a>.</p>
<p>Vertical streaks or bands appear on the page.</p> 	<p>The print cartridge might be low or defective. If you are using a non-HP print cartridge, no messages appear on the all-in-one control panel or in the HP ToolboxFX.</p>	<p>Replace the print cartridge. See <a href="#">Remove the print cartridge on page 113</a>.</p>
<p>The amount of background toner shading becomes unacceptable.</p> 	<p>The media might not meet HP specifications.</p> <p>The single-sheet priority input slot (tray 1) might be installed incorrectly.</p> <p>The print-density setting is too high.</p> <p>Very dry (low humidity) conditions can increase the amount of background shading.</p> <p>The print cartridge might be low. If you are using a non-HP print cartridge, no messages appear on the all-in-one control panel or in the HP ToolboxFX.</p>	<p>Use a different paper with a lighter basis weight.</p> <p>Make sure that the single-sheet priority input slot (tray 1) is in place.</p> <p>Decrease the print-density setting through HP ToolboxFX or the embedded Web server. This decreases the amount of background shading.</p> <p>Check the all-in-one environment.</p> <p>Replace the print cartridge. See <a href="#">Remove the print cartridge on page 113</a>.</p>
<p>Toner smears appear on the media.</p>	<p>The media might not meet HP specifications.</p>	<p>Use media that meets HP specifications. Make sure that the media meets</p>

Problem	Cause	Solution
		specifications in the <i>HP LaserJet Printer Family Print Media Guide</i> .
	If toner smears appear on the leading edge of the paper, the media guides are dirty, or debris has accumulated in the print path.	Clean the media guides and the paper path. See <a href="#">Cleaning the all-in-one on page 53</a> .
	The print cartridge might be low. If you are using a non-HP print cartridge, no messages appear on the all-in-one control panel or in the HP ToolboxFX.	Replace the print cartridge. See <a href="#">Remove the print cartridge on page 113</a> .
	The fuser temperature might be too low.	In the printer driver, make sure the appropriate media type is selected.
The toner smears easily when touched.	The all-in-one is not set to print on the type of media on which you want to print.	In the printer driver, select the <b>Paper</b> tab and set <b>Type is</b> to match the type of media on which you are printing. Print speed might be slower if you are using heavy paper.
		Use media that meets HP specifications. Make sure that the media meets specifications in the <i>HP LaserJet Printer Family Print Media Guide</i> .
	The media might not meet HP specifications.	
	The paper path might need to be cleaned.	Clean the all-in-one. See <a href="#">Cleaning the all-in-one on page 53</a> .
	The power source might be defective.	Plug the all-in-one directly into an ac outlet instead of into a power strip.
	The print cartridge might be low. If you are using a non-HP print cartridge, no messages appear on the all-in-one control panel or in the HP ToolboxFX.	Replace the print cartridge. See <a href="#">Remove the print cartridge on page 113</a> .
Marks repeatedly appear at even intervals on the page.	The all-in-one is not set to print on the type of media on which you want to print.	In the printer driver, make sure that the appropriate media type is selected. Print speed might be slower if you are using heavy paper.
		The problem typically corrects itself after a few more pages.
	Internal parts might have toner on them.	
	The paper path might need to be cleaned.	Clean the all-in-one. See <a href="#">Cleaning the all-in-one on page 53</a> .
	The print cartridge might be damaged.	If a repetitive mark occurs at the same spot on the page, install a new HP print cartridge. See <a href="#">Remove the print cartridge on page 113</a> .
The printed page contains misformed characters.	The media might not meet HP specifications.	Use a different paper, such as high-quality paper that is intended for laser printers.
	If characters are incorrectly formed so that they produce a wavy effect, the laser scanner might need replacing.	Verify that the problem also occurs on the Configuration page. If so, replace the laser/scanner. See <a href="#">Laser/scanner on page 148</a> .

Problem	Cause	Solution
		
<p>The printed page is curled or wavy.</p> 	<p>The all-in-one is not set to print on the type of media on which you want to print.</p> <hr/> <p>The media might have been in the input tray too long.</p> <hr/> <p>The paper path is curling the media.</p> <hr/> <p>The media might not meet HP specifications.</p> <hr/> <p>Both high temperature and humidity can cause paper curl.</p>	<p>In the printer driver, make sure the appropriate media type is selected.</p> <p>If the problem persists, select a media type that uses a lower fuser temperature, such as transparencies or light media.</p> <hr/> <p>Turn over the stack of media in the tray. Also, try rotating the media 180° in the input tray.</p> <hr/> <p>Open the rear output door to print to the straight-through output path.</p> <hr/> <p>Use a different paper, such as high-quality paper that is intended for laser printers.</p> <hr/> <p>Check the all-in-one environment.</p>
<p>Text or graphics are skewed on the printed page.</p> 	<p>The media might be loaded incorrectly or the input tray might be too full.</p> <hr/> <p>The media might not meet HP specifications.</p>	<p>Verify that the media is loaded correctly and that the media guides are not too tight or too loose against the stack. See <a href="#">Loading media on page 28</a>.</p> <hr/> <p>Use a different paper, such as high-quality paper that is intended for laser printers.</p>
<p>The printed page contains wrinkles or creases.</p> 	<p>The media might be loaded incorrectly or the input tray might be too full.</p> <hr/> <p>The media might not meet HP specifications.</p> <hr/> <p>The paper path is curling the media.</p>	<p>Turn over the stack of paper in the input tray, or try rotating the paper 180° in the input tray.</p> <p>Verify that the media is loaded correctly and that the media guides are not too tight or too loose against the stack. See <a href="#">Loading media on page 28</a>.</p> <hr/> <p>Use a different paper, such as high-quality paper that is intended for laser printers.</p> <hr/> <p>Open the rear output door to print to the straight-through output path.</p>

Problem	Cause	Solution
	Air pockets inside envelopes can cause them to wrinkle.	Remove the envelope, flatten it, and try printing again.
Toner appears around the printed characters.	The media might be loaded incorrectly. If large amounts of toner have scattered around the characters, the paper might have high resistivity.	Turn over the stack of paper in the tray. Use a different paper, such as high-quality paper that is intended for laser printers.
An image that appears at the top of the page (in solid black) repeats farther down the page (in a gray field).	Software settings might affect image printing.  The order of images printed might affect printing.  A power surge might have affected the all-in-one.	In your software program, change the tone (darkness) of the field in which the repeated image appears.  In your software program, rotate the whole page 180° to print the lighter image first.  Change the order in which the images are printed. For example, have the lighter image at the top of the page, and the darker image farther down the page.  If the defect occurs later in a print job, turn the all-in-one off for 10 minutes, and then turn on the all-in-one to restart the print job.
Droplets of water are deposited on the trailing edge of the page.	Moisture in the all-in-one is condensing on the fuser assembly. In excessively hot and humid areas, media retains moisture.	Try moving the all-in-one to a less humid area. Try a different media.



**NOTE** Water droplets do not damage the all-in-one.

## Media-handling problems

Use the information in this section when the all-in-one experiences media-handling problems.

### Print-media guidelines

- For best results, make sure that the paper is of good quality, and free of cuts, nicks, tears, spots, loose particles, dust, wrinkles, voids, staples, and curled or bent edges.
- For best-quality printing, use a smooth type of paper. Generally, smoother media produces better results.
- If you are unsure what type of paper you are loading (such as bond or recycled), check the label on the package of paper.
- Do not use media that is designed for Inject printers only. Use media that is designed for LaserJet printers.
- Do not use letterhead paper that is printed with low-temperature inks, such as those used in some types of thermography.
- Do not use raised or embossed letterhead.
- The all-in-one uses heat and pressure to fuse toner to the paper. Make sure that any colored paper or preprinted forms use inks that are compatible with this fusing temperature (200°C or 392°F for 0.1 second).



**CAUTION** Failure to follow these guidelines could cause jams or damage to the all-in-one.

### Solving print-media problems

The following problems with media cause print-quality deviations, jamming, or even damage to the all-in-one.

Problem	Cause	Solution
Poor print quality or toner adhesion	The paper is too moist, too rough, too heavy or too smooth, or it is embossed or from a faulty paper lot.	Try another kind of paper, between 100 and 250 Sheffield, with 4 to 6% moisture content.
Dropouts, jamming, or curl	The paper has been stored incorrectly.	Store paper flat in its moisture-proof wrapping.
	The paper has variability from one side to the other.	Turn the paper over.
Excessive curl	The paper is too moist, has the wrong grain direction, or is of short-grain construction	Open the rear output bin, or use long-grain paper.
	The paper varies from side-to-side.	Turn the paper over.
Jamming, damage to all-in-one	The paper has cutouts or perforations.	Use paper that is free of cutouts or perforations.
Problems with feeding	The paper has ragged edges.	Use high-quality paper that is made for laser printers.
	The paper varies from side-to-side.	Turn the paper over.



Problem	Cause	Solution
	The paper is too moist, too rough, too heavy or too smooth, has the wrong grain direction, or is of short-grain construction or it is embossed or from a faulty paper lot.	Try another kind of paper, between 100 and 250 Sheffield, 4% to 6% moisture content.  Open the rear output bin, or use long-grain paper.
Skewed (crooked) print	The media guides might be incorrectly adjusted.	Remove all media from the input tray, straighten the stack, and then load the media in the input tray again. Adjust the media guides to the width and length of the media that you are using and try printing again.
More than one sheet feeds at one time.	The media tray might be overloaded.  The media might be wrinkled, folded, or damaged.	Remove some of the media from the tray.  Verify that the media is not wrinkled, folded, or damaged. Try printing on media from a new or different package.
The all-in-one does not pull media from the media input tray.	The all-in-one might be in manual feed mode.  The pickup roller might be dirty or damaged.  The paper-length adjustment control in tray 2 or optional tray 3 is set at a length that is greater than the media size.	<ul style="list-style-type: none"> <li>● If <b>Manual feed</b> appears on the all-in-one control-panel display, press ✓ to print the job.</li> <li>● Verify that the all-in-one is not in manual feed mode and print your job again.</li> </ul> Replace the tray 2 pickup roller. See <a href="#">Replacing the tray 2 pickup roller on page 44</a> .  Adjust the paper-length adjustment control to the correct length.

## Performance problems


Try the tips in this section if pages exit the all-in-one, but have nothing printed on them, or when the all-in-one does not print any pages.

Problem	Cause	Solution
Pages exit after the print cycle but are totally blank	The sealing tape might still be in the print cartridge.	Verify that the sealing tape has been completely removed from the print cartridge.
	The document might contain blank pages.	Check the document that you are printing to see if content appears on all of the pages.
	The all-in-one might be malfunctioning.	To check the all-in-one, print a Configuration page.
	Certain media types can slow the print job.	Print on a different type of media.
Pages did not print	The all-in-one might not be pulling media correctly.	See <a href="#">Media-handling problems on page 222</a> .
	The media is jamming in the all-in-one.	Clear the jam. See <a href="#">Jams on page 181</a> .
	The USB cable might be defective or incorrectly connected.	<ul style="list-style-type: none"> <li>● Disconnect the USB cable at both ends and reconnect it.</li> <li>● Try printing a job that has printed in the past.</li> <li>● Try using a different USB cable.</li> </ul>
	Other devices are running on your computer.	The all-in-one might not share a USB port. If you have an external hard drive or network switch box that is connected to the same port as the all-in-one, the other device might be interfering. To connect and use the all-in-one, you must disconnect the other device or you must use two USB ports on the computer.

# Scan problems

## Solving scanned-image problems

Problem	Cause	Solution
The scanned image is of poor quality.	The original might be a second-generation photo or picture.	<ul style="list-style-type: none"><li>• To eliminate the patterns, try reducing the size of the image after scanning.</li><li>• Print the scanned image to see if the quality is better.</li><li>• Verify that your resolution and color settings are correct for the type of scan job that you are performing.</li><li>• For best results, use the flatbed scanner for scanning rather than the automatic document feeder (ADF).</li></ul>
	The image that appears on the screen might not be an accurate representation of the quality of the scan.	<ul style="list-style-type: none"><li>• Try adjusting your computer monitor settings to use more colors (or levels of gray). Typically, you make this adjustment by opening <b>Display</b> in Windows Control Panel.</li><li>• Try adjusting the resolution and color settings in the scanner software.</li></ul>
	The original might have been loaded incorrectly.	Use the media guides when you load the originals into the ADF. See <a href="#">Loading documents to fax, copy, or scan on page 28</a> .
	The scanner might be dirty.	Clean the scanner. See <a href="#">Cleaning the all-in-one on page 53</a> .
	The graphics settings might not be suitable for the type of scan job that you are performing.	Try changing the graphics settings.
Part of the image did not scan.	The original might have been loaded incorrectly.	Use the media guides when you load the originals into the ADF. See <a href="#">Loading documents to fax, copy, or scan on page 28</a> .
	A colored background might be causing images in the foreground to blend into the background.	Try adjusting the settings before you scan the original or enhancing the image after you scan the original.
	The original is longer than 381 mm (15 inches).	The maximum scannable length is 381 mm (15 inches) when you use the automatic document feeder (ADF) input tray. If the page exceeds the maximum length, the scanner stops. (Copies can be longer.)

Problem	Cause	Solution
		 <b>CAUTION</b> Do not try to pull the original from the ADF; you might damage the scanner or your original. See <a href="#">Jams in the ADF on page 199</a> .
	The original is too small.	The minimum size that the flatbed scanner supports is 25 x 25 mm (1 x 1 inch). The minimum size that the ADF supports is 127 x 127 mm (5 x 5 inches). The original might be jammed. See <a href="#">Jams on page 181</a> .
	The media size is incorrect.	In <b>Scan</b> settings, make sure that the input media size is large enough for the document that you are scanning.
The scan takes too long	The resolution or color level is set too high.	Change the resolution and color level settings to the correct settings for your job.
	The software is set to scan in color.	The system default is color, which takes longer to scan even when scanning a monochrome original. If you acquire an image through TWAIN or WIA, you can change the settings so that the original scans in grayscale or black-and-white. See the all-in-one software Help for details.
	A print job or copy job was sent before you tried to scan.	If someone sent a print job or copy job before you tried to scan, the scan will start if the scanner is not busy. However, because the all-in-one and scanner share memory, the scan might be slower.

# Scan-quality problems

## Preventing problems

The following are a few simple steps you can take to improve copy and scan quality.

- Use the flatbed scanner, rather than the automatic document feeder (ADF) input tray, to scan.
- Use high-quality originals.
- Load the media correctly. If the media is loaded incorrectly, it might skew, which causes unclear images. See [Loading media on page 28](#) for instructions.
- Adjust the software settings according to how you plan to use the scanned page.
- If your all-in-one frequently feeds more than one page at a time, you might need to replace the separation pad. See [Replacing the tray 2 and optional tray 3 separation pad on page 49](#).
- Use or make a carrier sheet to protect your originals.

## Solving scan-quality problems

Problem	Description	Solution
Blank pages	The original might have been loaded upside down.	In the automatic document feeder (ADF), put the top end of the stack of originals into the ADF input tray, with the media stack face-up and the first page to be scanned on top of the stack.  On the flatbed scanner, place the original document face-down with the upper-left corner of the document at the lower-right corner of the glass.
	Too light or dark	The resolution and color levels might be set incorrectly.
Unwanted lines	Ink, glue, correction fluid, or an unwanted substance might be on the glass.	Clean the flatbed scanner surface. See <a href="#">Cleaning the flatbed scanner glass on page 53</a> .
	The ADF glass might be dirty.	Clean the ADF glass. See <a href="#">Cleaning the scanner-cover backing on page 55</a> .
Black dots or streaks	Ink, glue, correction fluid, or an unwanted substance might be on the glass.	Clean the flatbed scanner surface. See <a href="#">Cleaning the flatbed scanner glass on page 53</a> .
Unclear text	The resolution and color levels may be set incorrectly.	Verify that you have the correct resolution and color settings.

# Copy problems

## Preventing problems

The following are a few simple steps you can take to improve copy quality:

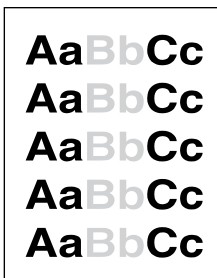
- Copy from the flatbed scanner. This will produce a higher quality copy than copying from the automatic document feeder (ADF).
- Use quality originals.
- Load the media correctly. If the media is loaded incorrectly, it might skew, causing unclear images and problems with the OCR program.
- Use or make a carrier sheet to protect your originals.

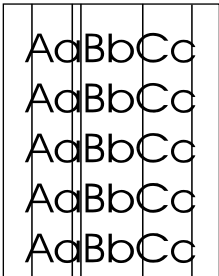


**NOTE** Verify that the media meets HP specifications. If the media meets HP specifications, recurring feed problems indicate the pickup roller or separation pad is worn.

## Image problems

Problem	Cause	Solution
Images are missing or faded.	The print-cartridge toner-level might be low.	Replace the print cartridge. See <a href="#">Remove the print cartridge on page 113</a> .
	The original might be of poor quality.	If your original is too light or damaged, the copy might not be able to compensate, even if you adjust the contrast. If possible, find an original document in better condition.
	The original might have a colored background.	Colored backgrounds might cause images in the foreground to blend into the background, or the background might appear in a different shade. If possible, use an original document without a colored background.
Vertical white or faded stripes appear on the copy.	The media might not meet HP specifications.	Use media that meets HP specifications.
	The print-cartridge toner-level might be low.	Replace the print cartridge. See <a href="#">Remove the print cartridge on page 113</a> .
Unwanted lines appear on the copy.	Tray 2 might not be installed correctly.	Verify that the tray is in place.
	The flatbed scanner or the ADF glass might be dirty.	Clean the flatbed scanner or the ADF glass. See <a href="#">Cleaning the all-in-one on page 53</a> .



Problem	Cause	Solution
	The photosensitive drum inside the print cartridge might have been scratched.	Install a new HP print cartridge. See <a href="#">Remove the print cartridge on page 113</a> .
Black dots or streaks appear on the copy.	Ink, glue, correction fluid, or an unwanted substance might be on the automatic document feeder (ADF) or flatbed scanner.	Clean the all-in-one. See <a href="#">Cleaning the all-in-one on page 53</a> .
Copies are too light or dark.	The printer driver or all-in-one software settings might be incorrect.	Verify that the quality settings are correct.  See the all-in-one software Help for more information about changing the settings.
Text is unclear.	The printer driver or all-in-one software settings might be incorrect.	Verify that the quality settings are correct.  See the all-in-one software Help for more information about changing the settings.

## Media-handling problems

Problem	Cause	Solution
Poor print quality or toner adhesion	The paper is too moist, too rough, too heavy or too smooth, or it is embossed or from a faulty paper lot.	Try another kind of paper, between 100 and 250 Sheffield, 4% to 6% moisture content.
Dropouts, jamming, or curl	The paper has been stored incorrectly.	Store paper flat in its moisture-proof wrapping.
	The paper has variability from one side to the other.	Turn the paper over.
Excessive curl	The paper is too moist, has the wrong grain direction, or is of short-grain construction	Open the rear output bin, or use long-grain paper.
	The paper varies from one side to the other.	Turn the stack over.
Jamming, damage to all-in-one	The paper has cutouts or perforations.	Use paper that is free of cutouts or perforations.
Problems with feeding	The paper has ragged edges.	Use high-quality paper that is made for laser printers.
	The paper varies from side-to-side.	Turn the paper over.
	The paper is too moist, too rough, too heavy or too smooth, has the wrong grain direction, or is of short-grain construction	Try another kind of paper, between 100 and 250 Sheffield, 4% to 6% moisture content.

Problem	Cause	Solution
	or it is embossed or from a faulty paper lot.	Open the rear output bin, or use long-grain paper.
Print is skewed (crooked).	The media guides might be incorrectly adjusted.	Remove all media from the input tray, straighten the stack, and then load the media in the input tray again. Adjust the media guides to the width and length of the media that you are using and try printing again.
More than one sheet feeds at one time.	The media tray might be overloaded.	Remove some of the media from the tray.
	The media might be wrinkled, folded, or damaged.	Verify that the media is not wrinkled, folded, or damaged. Try printing on media from a new or different package.
The all-in-one does not pull media from the media input tray.	The all-in-one might be in manual feed mode.	<ul style="list-style-type: none"> <li>● If <b>Manual feed</b> appears on the all-in-one control-panel display, press ✓ to print the job.</li> <li>● Verify that the all-in-one is not in manual feed mode and print your job again.</li> </ul>
	The pickup roller might be dirty or damaged.	Replace the pickup roller. See <a href="#">Replacing the tray 2 pickup roller on page 44</a> .
	The paper-length adjustment control in tray 2 or optional tray 3 is set at a length that is greater than the media size.	Adjust the paper-length adjustment control to the correct length.



## Performance problems

Problem	Cause	Solution
No copy came out.	The input tray might be empty.	Load media in the all-in-one. See <a href="#">Loading media on page 28</a> for more information.
	The original might have been loaded incorrectly.	<p>In the automatic document feeder (ADF), load the original with the narrow side forward and the side to be scanned facing up.</p> <p>On the flatbed scanner, place the original document face-down with the upper-left corner of the document at the lower-right corner of the glass.</p>
Copies are blank.	The sealing tape might not have been removed from the print cartridge.	Remove the print cartridge from the all-in-one, pull out the sealing tape, and reinstall the print cartridge.
	The original might have been loaded incorrectly.	<p>In the ADF, load the original with the narrow side forward and the side to be scanned facing up.</p> <p>On the flatbed scanner, make sure that the original document is placed face-down with the upper-left corner of the document at the lower-right corner of the glass.</p>
	The media might not meet HP specifications.	Use media that meets HP specifications.
	The print-cartridge toner-level might be low.	Replace the print cartridge. See <a href="#">Remove the print cartridge on page 113</a> .
The wrong original was copied.	The ADF might be loaded.	Make sure that the ADF is empty.
Copies are reduced in size.	The all-in-one software settings might be set to reduce the scanned image.	See the HP ToolboxFX Help for more information about changing the settings.

# Fax troubleshooting

## General fax troubleshooting

Verify the following information before troubleshooting fax problems.

- Is the fax set up correctly?
  - Make sure that the fax cord that came with the all-in-one is the cord that is being used. This cord has been tested and meets the device specifications.
  - Make sure that the fax cord is installed in the correct port. The fax cord must be plugged into the *line* port.
- What type of telephone line is being used?
  - **Dedicated telephone line:** a unique telephone line that is assigned to receive or send a fax. The fax cord must be plugged into the *line* port.
  - **Shared telephone line:** a telephone line that receives or sends voice calls and faxes. A single, shared telephone line can perform only one function at a time. A fax cannot be sent while someone is talking on the telephone or while a computer is connecting to the Internet.
  - **Roll-over lines:** a telephone system feature that allows an incoming call to be forwarded to the next available telephone line (used with multiple-telephone-line systems). Try attaching the device to the first incoming telephone line. The all-in-one will answer the telephone after it rings the number of times that is specified in the all-in-one rings-to-answer setting.
  - **PBX system:** a business-environment telephone system. Standard home telephones and the HP LaserJet all-in-one use an analog telephone signal. Some PBX systems are digital and might be incompatible with standard telephones and with devices such as the HP LaserJet all-in-one.
  - **Distinctive ring service:** a telephone system feature that can assign two telephone numbers to one physical line, and assign a distinctive ring pattern to each number. Make sure that the device is set to respond to the correct distinctive ring pattern that the telephone service provider assigned to the fax number. This service is not available in all countries/regions. Make sure that the telephone company provides this service before changing the setting. For more information about distinctive ring service, see [Distinctive ring function on page 100](#).
- Is a telephone-line splitting device installed?
  - A telephone-line splitter is a device that splits two or more telephone lines from the same jack. Not all splitters are compatible with the device, and not all countries/regions support the use of splitters.

Parallel splitters (also called T-splitters) split a single line into two phone jacks so that two devices can share the same line. Line 1/Line 2 splitters provide two unique telephone line outlets from a single jack with two unique telephone numbers (two telephone lines are connected to a single jack). A Line 1/Line 2 splitter *must* be used if both a fax line and a voice line share the same jack.



---

**NOTE** Hewlett-Packard does not recommend using a parallel splitter (T-splitter) with the all-in-one because it might degrade the quality of the telephone signal. If a second device must be attached to the telephone line in addition to the all-in-one, plug the second device into the telephone port on the all-in-one (the port on the back that is marked with a telephone icon).

---

- Is a surge-protection device installed?
  - A surge-protection device might be installed between the telephone jack and the all-in-one to protect the all-in-one from electrical power that passes through the telephone lines. These devices might cause some fax communication problems by degrading the quality of the telephone signal. If you are having problems sending or receiving faxes, connect the device directly to the telephone jack to determine if the problem is in the surge-protection device.
- Is a telephone company voice-message service being used?
  - If the messaging service rings-to-answer setting is lower than the all-in-one rings-to-answer setting, the messaging service answers the call and the all-in-one will not detect incoming faxes. If the all-in-one rings-to-answer setting is lower than that of the messaging service, the all-in-one answers all calls and no calls will ever be sent to the messaging service. The only voice-messaging system that can be used with the all-in-one is a standard telephone-answering machine.
- Is a standard telephone-answering machine installed?
  - An answering machine must be connected to the port that is labeled with the telephone icon (or it can be shared on the same telephone-line extension). Set the all-in-one rings-to-answer setting for at least one ring more than the number of rings that prompts the answering machine to answer a incoming call. For example, if the answering machine is set to answer calls after three rings, set the all-in-one rings-to-answer setting to four rings.



---

**NOTE** If an answering machine is connected to the same telephone line but is connected to a different jack (for example, in another room), it might interfere with the all-in-one to fax reception.

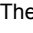
---

## Problems receiving faxes



**NOTE** You must use the fax cord that came with the all-in-one in order to ensure that the all-in-one functions correctly.

Problem	Cause	Solution
The all-in-one cannot receive faxes from an extension telephone.	The extension-telephone setting might be disabled.	Verify that the extension-telephone setting is enabled.
	The fax cord might not be securely connected.	Verify that the fax cord is securely connected between the telephone jack and the all-in-one (or another device that is connected to the all-in-one). Press 1-2-3 in sequence (tone-dial mode only), wait for three seconds, and then hang up.
	The all-in-one dialing mode might be incorrectly set, or the extension phone might be incorrectly set.	Verify that the all-in-one dialing mode is set to <b>Tone</b> . Verify that the extension phone is set to <b>On</b> for tone dialing as well.
The all-in-one is not answering incoming fax calls.	The answer mode might be set to <b>Manual</b> .	If the answer mode is set to <b>Manual</b> , the all-in-one does not answer calls. You have to start the fax-receiving process manually.
	The rings-to-answer setting might not be set correctly.	Check the rings-to-answer setting for your configuration.
	The answer-ring pattern feature might be turned on, but you do not have the service, or you do have the service and the feature is not set correctly.	Check the answer-ring pattern feature to verify that it is set properly.
	The fax cord might not be correctly connected, or the fax cord is not working.	See the Getting Started Guide to check the installation. Verify that you are using the fax cord that came with the all-in-one.
	The all-in-one might not be able to detect incoming fax tones because the answering machine is playing a voice message.	Re-record your answering machine message, leaving at least two seconds of silence at the beginning of the message.
	Too many devices might be connected to the telephone line.	You should not have more than three devices attached to the line. Try removing the last device that was connected and determine whether the all-in-one works. If not, continue removing devices one at a time and retry after removing each one.
	The telephone line might not be working.	Do one of the following: <ul style="list-style-type: none"> <li>● Increase the volume on the all-in-one, and then press <b>Start Fax</b> on the control panel. If you hear a dial tone, the telephone line is working.</li> <li>● Disconnect the all-in-one from the telephone jack, and then connect a telephone. Try to make a telephone call to verify that the telephone line is working.</li> </ul>

Problem	Cause	Solution
The all-in-one is not answering incoming fax calls.	A voice-messaging service might be interfering with the all-in-one as it attempts to answer calls.	Do one of the following: <ul style="list-style-type: none"> <li>● Disable the messaging service.</li> <li>● Get a telephone line that is dedicated to fax calls.</li> <li>● Set the all-in-one answer mode to <b>Manual</b>. In manual mode, you must start the fax-receive process yourself.</li> <li>● Leave the all-in-one set to automatic mode and lower the rings-to-answer setting for the all-in-one to a number less than the rings-to-answer setting for the voice mail. The all-in-one will answer all incoming calls.</li> </ul>
	The all-in-one might be out of paper and the memory is full.	Refill the media input tray. Press  . The all-in-one prints all of the faxes it has saved in memory and then resumes answering fax calls.
Faxes are not printing.	The media input tray is empty.	Load media. Any faxes that are received while the input tray is empty are stored in memory and will print after the tray has been refilled.
	The receive-to-PC option might be selected, and faxes are being received by the computer.	Check to determine whether the computer is receiving faxes.
Faxes are printing on two pages instead of one.	The auto reduction setting might not be set correctly.	Turn on the auto reduction setting.
	The incoming faxes might have been sent on larger media.	Adjust the auto reduction setting to allow larger pages to be printed on one page.
Received faxes are too light or are printing only on half of the page.	The all-in-one ran out of toner while printing a fax.	The all-in-one stores the most recently printed faxes. (The amount of memory that is available determines the actual number of faxes stored for reprinting.) As soon as possible, replace the print cartridge, and then reprint the fax.
	The fax that was sent was too light.	Contact the sender and have the sender resend the fax after altering the settings.

## Problems sending faxes

Problem	Cause	Solution
The document stops feeding in the middle of faxing.	The maximum length of a page that you can load is 381 mm (15 inches). Faxing of a longer page stops at 381 mm (15 inches).	Print the document on shorter media.  If no jam exists and less than one minute has elapsed, wait a moment before pressing <b>Cancel</b> . If a jam exists, see <a href="#">Jams on page 181</a> . Then, resend the job.
	If the item is too small, it can jam inside the automatic document feeder (ADF).	Use the flatbed scanner. The minimum page size for the ADF is 127 x 127 mm (5 x 5 inches).  If a jam exists, see <a href="#">Jams on page 181</a> . Then, resend the job.
Faxes stop during sending.	The fax machine to which you are sending might be malfunctioning.	Try sending to another fax machine.
	Your telephone line might not be working.	Do one of the following: <ul style="list-style-type: none"> <li>• Turn up the volume on the all-in-one, and then press <b>Start Fax</b> on the control panel. If you hear a dial tone, the telephone line is working.</li> <li>• Disconnect the all-in-one from the jack in the wall, and then connect a telephone to the jack. Try to make a telephone call to verify that the telephone line is working.</li> </ul>
	A communication error might be interrupting the fax job.	Change the redial-on-communication-error setting to <b>On</b> .
The all-in-one is receiving faxes but is not sending them.	If your all-in-one is on a PBX system, the PBX system might be generating a dial tone that the all-in-one cannot detect.	Disable the detect-dial-tone setting.
	A poor telephone connection might exist.	Try again later.
	The fax machine to which you are sending might be malfunctioning.	Try sending to another fax machine.
	Your telephone line might not be working.	Do one of the following: <ul style="list-style-type: none"> <li>• Turn up the volume on the all-in-one and press <b>Start Fax</b> on the control panel. If you hear a dial tone, the telephone line is working.</li> <li>• Disconnect the all-in-one from the telephone jack and connect a telephone. Try to make a telephone call to verify that the telephone line is working.</li> </ul>
Outgoing fax calls continue to be dialed.	The all-in-one automatically redials a fax number if the redial options are set to <b>On</b> .	To stop the redials while the all-in-one is dialing, press <b>Cancel</b> .
Faxes that you send are not arriving at the receiving fax machine.	The receiving fax machine might be off or might have an error condition, such as being out of paper.	Call the recipient to verify that the fax machine is on and ready to receive faxes.

Problem	Cause	Solution
	The originals might be incorrectly loaded.	Verify that the original documents are correctly loaded into the ADF input tray or flatbed scanner. See <a href="#">Loading media on page 28</a> .
	A fax might be in memory because it is waiting to redial a busy number, other jobs that are ahead of it are waiting to be sent, or the fax is set up for a delayed send.	If a fax job is in memory for any of these reasons, an entry for the job appears in the fax log. Print the fax activity log and check the <b>Status</b> column for jobs that show a <b>Pending</b> designation.
Faxes you send include a block of gray shading at the end of each page.	You might be sending a fax from the flatbed scanner with the glass-fax size set incorrectly.	Verify that the setting is correct.
Faxes you send have data missing from the end of each page.	You might be sending a fax from the flatbed scanner with the glass-fax size set incorrectly.	Verify that the setting is correct.
You receive a Low Memory error.	You might be sending a fax that is too large, or the resolution might be too high.	Try one of the following: <ul style="list-style-type: none"> <li>● Divide a large fax into smaller sections, and then fax them individually.</li> <li>● Clear stored faxes to make more memory available for outgoing faxes.</li> <li>● Configure the outgoing fax as a delayed fax, and then verify that it will send completely.</li> <li>● Make sure that you are using the lowest resolution setting (<b>Standard</b>).</li> </ul>

## Voice-call problems

Problem	Cause	Solution
The telephone or answering machine that is connected to the line is not receiving voice calls.	The fax cord might not be correctly connected.	See the Getting Started Guide to check the installation. The all-in-one must be the first device connected to the telephone line.
	The answer mode or rings-to-answer settings might not be correctly set.	The rings-to-answer must be set higher than the answering machine setting.
	The answering machine or telephone might not be functioning.	Connect the telephone or answering machine directly to the telephone line and determine if it works by itself.
	The problem persists.	See the Fax chapter in the all-in-one user guide.

## Media-handling problems



**NOTE** For information about removing jams, see [Jams on page 181](#).

Problem	Cause	Solution
Print is skewed (crooked).	The media input tray might be overloaded.	Remove some of the media from the input tray.
	The media guides might be incorrectly set, broken, or missing.	Verify that the guides are not adjusted too tightly or too loosely against the paper. Check for broken or missing guides, and replace them if necessary.
	The media might not meet HP specifications.	Use media that meets HP specifications.
Pages are curled or wrinkled.	The media might not meet HP specifications.	Use media that meets HP specifications.
	The paper path might be affecting the pages.	Open the rear output door on the back of the all-in-one and use this paper path.
	The media is not stored properly.	When possible, store media in its sealed ream at room temperature.
	The media has been in the input tray too long.	Turn over the stack of media in the tray or rotate the media 180° in the paper tray.



## Performance problems

Problem	Cause	Solution
Faxes are transmitting or being received very slowly.	The fax might be very complex, such as one with many graphics.	Complex faxes take longer to be sent or received. Breaking longer faxes into multiple jobs can increase the transmission speed.
	The receiving fax machine might have a slow modem speed.	The all-in-one only sends the fax at the fastest modem speed that the receiving fax machine can accept.
	The resolution at which the fax was sent or is being received might be very high.	If you are receiving the fax, call and ask the sender to lower the resolution and resend the fax. If you are sending the fax, lower the resolution and resend the fax.
	Your telephone line might not be working.	Hang up and resend the fax. Have the telephone company check the telephone line.
	You are sending a fax via an international call.	You must allow more time to transmit fax jobs internationally.
The fax activity logs or fax call reports are printing at inappropriate times.	The fax activity log or fax call reports settings are not correct.	Print a Configuration page and check when the reports print.
The all-in-one sounds are too loud or too soft.	The volume setting might not be adjusted correctly.	Adjust the volume setting.

## Control-panel display problems



**CAUTION** Static electricity can cause unexpected black lines or dots to appear on the all-in-one control-panel display. Do not touch the all-in-one control-panel display if there is a chance that you have collected a static electric charge (for example, by walking on carpet in a low-humidity environment).

Unexpected lines or dots might appear on the all-in-one control-panel display, or the display might become blank if the all-in-one is exposed to an electric or magnetic field. To resolve this problem, perform the following procedure:

1. Turn the all-in-one off.
2. Remove the all-in-one from the electric or magnetic field.
3. Turn the all-in-one on again.

## Convenience-stapler problems (HP LaserJet 3392 only)

The convenience stapler is designed to be free of staple jams. To reduce the risk of staple jams, make sure that you staple 20 or fewer pages of media (80 g/m<sup>2</sup> or 20 lb) at a time.

**The convenience stapler does not staple pages.**

Cause	Solution
The convenience-stapler door is not completely closed.	Make sure that the convenience-stapler door is completely closed.
The convenience stapler has a staple jam.	Clear the staple jam. See <a href="#">Jams in the convenience stapler (HP LaserJet 3392 only) on page 204</a> .

## DSL problems

A digital subscriber line (DSL) uses digital technology over standard copper phone wires. These DSL services rely on an AM signal. The HP LaserJet 3390/3392 all-in-one is a Group 3 fax device, which operates below the DSL capability and is not directly compatible with digital signals. However, if the configuration is specified during the DSL line setup, the signal on a DSL line can be separated so that some of the bandwidth is used to transmit an analog signal (for voice and fax) while the remaining bandwidth transmits digital data. Split the signal to use both the telephone or fax and the computer on the same line and at the same time.



---

**NOTE** Not all printers and faxes are compatible with DSL services. HP does not guarantee that the HP LaserJet all-in-one will be compatible with all DSL service lines or providers.

---

The DSL modem requires a high-pass filter. When DSL service is installed, the service provider sometimes supplies a splitter, which includes a low-pass filter, for the normal phone wiring. If not, the user should contact the DSL provider to request a filter or splitter so that a fax modem can operate on the line.



---

**NOTE** HP recommends discussing the DSL-line setup options with the DSL service provider. Consult the DSL provider for technical installation requirements.

---

An Asymmetric Digital Subscriber Line (ADSL) is a version of DSL that provides greater efficiency by allowing upload and download rates to differ. Because ADSL is a version of DSL, the previous DSL information also applies to ADSL.

## PABX line problems

The HP LaserJet all-in-one is an analog device that is not compatible with all digital phone environments (unless a digital-to-analog converter is used). It might be difficult for you to troubleshoot fax issues without assistance from someone who is familiar with the technical details of the customer's digital environment and the analog converter. HP does not guarantee that the HP LaserJet all-in-one will be compatible with digital environments or digital-to-analog converters.

# ADF problems

The “Document loaded” message continually appears on the control-panel display.

Cause	Solution
The ADF paper-sensor flag is damaged.	Replace the ADF. See <a href="#">ADF assembly on page 127</a> .

The “Scanner error” message continually appears on the control-panel display.

Cause	Solution
The ADF-to-scanner connector is not connected correctly or the ADF is not functioning.	Reseat the connector. If the problem persists, replace the ADF. See <a href="#">ADF assembly on page 127</a> .

The ADF pickup roller does not move.

Cause	Solution
The ADF-to-scanner connector is not connected correctly or the ADF is not functioning.	Reseat the connector. If the problem persists, replace the ADF. See <a href="#">ADF assembly on page 127</a> .

The ADF makes grinding, squeaking, or rubbing noises when a sheet feeds from the ADF input tray.

Cause	Solution
The wrong ADF pickup-roller assembly is installed.	Make sure that the correct roller assembly is installed. If the problem persists, replace the ADF pickup-roller assembly. See <a href="#">Replacing the ADF pickup-roller assembly on page 124</a> .

The sheet begins to feed from the ADF input tray but does not completely move through the ADF. The sheet *can* be pushed through the ADF by hand.

Cause	Solution
The cleanout comb is not installed or is incorrectly installed.	Make sure that the cleanout comb is installed correctly.
The ADF pickup rollers are dirty.	Clean the rollers. See <a href="#">Cleaning the ADF pickup-roller assembly on page 60</a> .
The media is curled or was stored in a high-humidity environment.	Use media that meets HP recommendations. See the user guide for media specifications.
The ADF pickup-roller assembly is damaged or is not functioning.	Replace the ADF pickup-roller assembly. See <a href="#">Replacing the ADF pickup-roller assembly on page 124</a> .

The sheet begins to feed from the ADF input tray but does not move through the ADF completely. The sheet *cannot* be pushed through the ADF by hand.

Cause	Solution
The ADF pickup-roller assembly is damaged or is not functioning.	Replace the ADF pickup-roller assembly. See <a href="#">Replacing the ADF pickup-roller assembly on page 124</a> .

# Functional checks

## Drum rotation test

The photosensitive drum, located in the print cartridge, must rotate in order for the print process to work. The photosensitive drum receives its drive from the main drive assembly.



---

**NOTE** This test is especially important if refilled print cartridges have been used.

---

1. Open the print-cartridge door.
2. Remove the print cartridge.
3. Mark the drive gear on the cartridge with a felt-tipped marker. Note the position of the mark.
4. Install the print cartridge and close the print-cartridge door. The startup sequence should rotate the drum enough to move the mark.
5. Open the print-cartridge door and inspect the gear that was marked in step 3. Verify that the mark moved.

If the mark did not move, inspect the main drive assembly to make sure that it is meshing with the print cartridge gears. If the drive gears appear functional and the drum does not move, replace the print cartridge.

## Engine test

The engine test is used to verify that the print engine is functioning correctly. The formatter is bypassed during the engine test.

### To perform an engine test

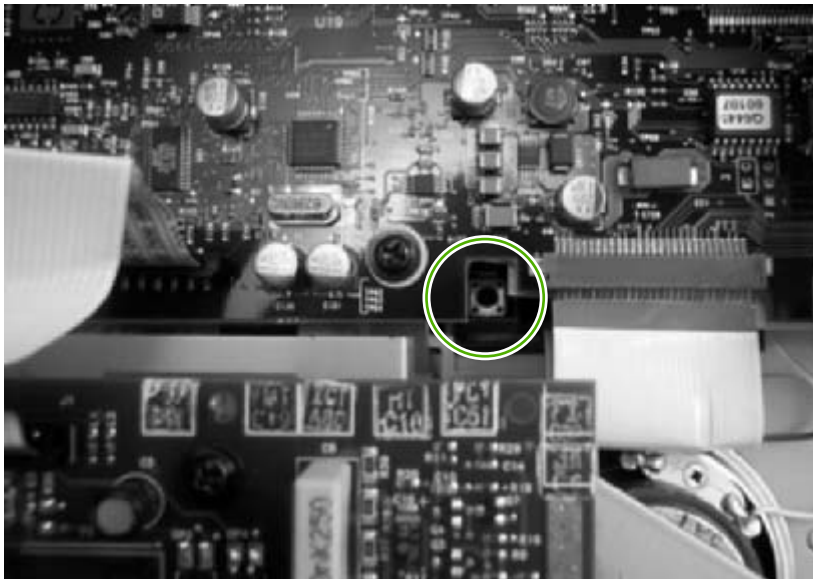
1. Remove the left cover. See [Left cover on page 116](#).
2. Use a *non-conductive* probe to depress the engine-test switch. A single test page prints.



**CAUTION** Use a non-conductive probe to depress the engine test switch. Inserting a conductive probe to depress the switch can damage the all-in-one.



**NOTE** The formatter must be connected to the ECU in order to perform an engine test. Otherwise, the all-in-one does not print.



**Figure 6-46** Engine test switch

## Half self-test functional check

The print process can be subdivided into the following stages:

- Image formation stage (charges the drum and writes a latent image to the drum with the laser)
- Development stage (forms a toner image on the drum)
- Transfer stage (transfers the image to the media)
- Cleaning stage (removes excess toner from the drum)
- Fusing stage (applies heat and pressure to the media to make the image permanent)

## To perform a half self-test check

The purpose of the half self-test check is to determine which process is malfunctioning.

1. Print a configuration page.
2. Open the print cartridge access door after the paper advances halfway through the all-in-one (approximately five seconds after the motor begins rotating). The leading edge of the paper should have advanced past the print cartridge.
3. Remove the print cartridge.
4. Open the print cartridge drum shield to view the drum surface. If a dark and distinct toner image is present on the drum surface, assume that the first two functions of the electrophotographic process are functioning (image formation and development). Troubleshoot the failure as a transfer or fusing problem.

## To perform other checks

If no image appears on the photosensitive drum, perform these checks:

1. Make sure that you removed the entire length of the sealing tape from the print cartridge before you installed the cartridge.
2. Perform a drum-rotation functional check to ensure that the drum is rotating (see [Drum rotation test on page 244](#)).
3. Perform a high-voltage power-supply check. See [Heating element check on page 247](#).



## Heating element check

Media passes between the heating element and a soft pressure roller to fuse toner to the media.

1. Unplug the all-in-one for at least ten minutes.
2. Verify that the thermistor connector is seated into both the all-in-one chassis and the ECU.
3. Remove the heating element connector from the ECU. To measure the continuity of the heating element, measure the resistance between the two pins at the end of the cable.



---

**NOTE** Normal resistance is 25 ohms +/- 10 ohms for the 110 V all-in-one and 80 ohms +/- 20 ohms for the 220 V all-in-one.

---

If no resistance is measured, replace the fuser.

4. Remove the thermistor connector, and then measure the resistance between J206 pins one and two and between J206 pins three and four.



---

**NOTE** Normal resistance between both pairs of pins is 370K ohms +/- 50K ohms at 20° C (68°F).

---

5. If no resistance is measured, replace the fuser.

## High-voltage contacts check

The high-voltage contacts in the all-in-one must have a good connection with the contacts on the print cartridge to provide the necessary voltages for the electrophotographic processes.

### To check the print-cartridge contacts

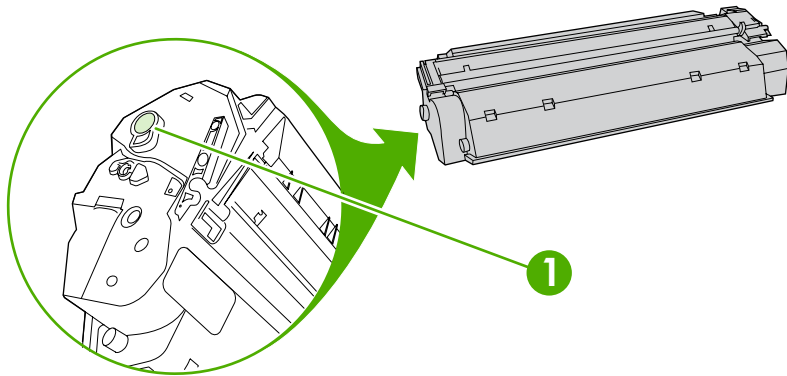
Remove the print cartridge and visually inspect the three connection points on the ends of the print cartridge: drum ground (callout 1), charging (callout 2), and developing roller (callout 3). If they are dirty or corroded, clean the connection. If they are damaged, replace the print cartridge.



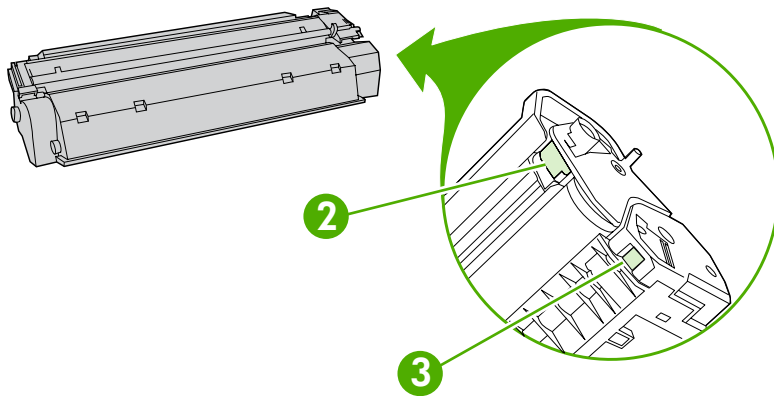
---

**NOTE** Use only isopropyl alcohol to clean the connections.

---



**Figure 6-47** Print-cartridge high-voltage connection points (right side)



**Figure 6-48** Print-cartridge high-voltage connection points (left side)

### **To check the high-voltage connector assembly**

Visually inspect the cartridge connection points inside the all-in-one to make sure that they are not dirty or corroded. If the pins are dirty, clean them by using isopropyl alcohol only.

# Service-mode functions

## NVRAM initialization

An NVRAM initialization will return the following device settings to the factory-set defaults:

- All menu settings, including the fax header and company name
- Fax numbers and names that are associated with one-touch keys and speed-dial codes

Additionally, all faxes stored in memory are cleared.

### To perform a NVRAM initialization

1. Turn off the device.
2. Simultaneously press and hold the **Enter** button and the \* button, and then turn on the device.
3. Wait until the message **Permanent storage init.** appears, and then release the **Enter** and \* buttons.

When the NVRAM initialization process has been completed, the device control panel shows the **Ready** message.

## Secondary service menu




**NOTE** An asterisk (\*) symbol next to a secondary service submenu option indicates that this is the current setting for that option.

For more information about the secondary service menu, see [Service menu on page 254](#).

### To access the secondary service menu

1. Press the **Menu** button.
2. Use the < or > button to scroll to **Main Menu Service**, and then press the ✓ button.
3. Use the < or > button to scroll to the desired secondary-service option, and then press the ✓ button.
4. Use the < or > button to scroll to the desired submenu option, and then press the ✓ button.

Service menu item	Submenu option	Description
<b>Print T.30 trace</b>	<b>At end of call*</b>	Use a T.30 trace report to troubleshoot fax transmission and receive errors.
	<b>Never</b>	
	<b>Now</b>	
	<b>If error</b>	
<b>Archive print</b>	<b>Off*</b>	The archive print feature produces output that is less susceptible to toner smearing and dusting. Use archive print to create documents that you want to preserve or archive.
	<b>On</b>	
<b>IESS PAPER CURL</b>	<b>Off*</b>	Lowers the fuser temperature.
	<b>On</b>	

Service menu item	Submenu option	Description
<b>PowerSave time</b>	<b>2 Hours</b>	Use this item to set the amount of time before the all-in-one enters PowerSave mode.
	<b>4 Hours</b>	
	<b>8 Hours*</b>	
	<b>12 Hours</b>	
<b>Cleaning mode</b>	None	Press ✓ to start the cleaning process. See <a href="#">Cleaning the print path on page 63</a> for more information.
<b>Restore defaults</b>	None	 <p><b>CAUTION</b> This procedure clears fax numbers and names that are associated with one-touch keys and speed-dial codes, and deletes any pages that are stored in the memory. The procedure then automatically restarts the all-in-one.</p> <hr/> <p>Press ✓ to restore the all-in-one factory settings.</p>

# Troubleshooting tools

The section describes the tools that can help you solve problems with your all-in-one.

## All-in-one pages and reports

This section describes the pages and reports that help you diagnose and solve problems with the all-in-one.

### Demo page

To print the Demo page, complete the following steps.

1. On the all-in-one control panel, press **Menu** until the **Reports** menu appears, and then press ✓.
2. Use the < or the > button until **Demo page** appears, and then press ✓.

### Configuration page

The Configuration page lists the current settings and properties of the all-in-one. You can print a Configuration page from the all-in-one or HP ToolboxFX. To print the Configuration page from the all-in-one, complete the following steps.

1. On the all-in-one control panel, press **Menu**.
2. Use the < or the > button to select **Reports**, and then press ✓.
3. Use the < or the > button to select **Config report**, and then press ✓.

### Supplies Status page

The Supplies Status page lists the remaining life of the HP print cartridge. It also lists the estimated pages remaining, number of pages printed, and other supplies information. You can print a Supplies Status page from the all-in-one or HP ToolboxFX. To print from the all-in-one, complete the following steps.

1. On the control panel menu, press **Menu**.
2. Use the < or the > button to select **Reports**, and then press ✓.
3. Use the < or the > button to select **Supplies Status**, and then press ✓.

## Fax reports

This section describes the fax reports that help you diagnose and solve problems with the all-in-one.

### Fax activity log

The fax activity log provides a chronological history of the last 40 faxes that were received, sent, or deleted, and any errors that occurred.

#### To print the fax activity log

1. On the all-in-one control panel, press **Menu**.
2. Use the < or the > button to select **Reports**, and then press ✓.
3. Use the < or the > button to select **Fax Activity log**, and then press ✓.
4. Press ✓ to select **Print log now**. The all-in-one exits the menu settings and prints the log.

### Fax call report

A fax call report is a brief report that indicates the status of the last fax that was sent or received.

#### To print a fax call report

1. On the all-in-one control panel, press **Menu**.
2. Use the < or the > button to select **Reports**, and then press ✓.
3. Use the < or the > button to select **Fax Call report**, and then press ✓.
4. Press ✓ to select **Print report now**. The all-in-one exits the menu settings and prints the report.

### Phone book report

A phone book report lists the fax numbers that are assigned to the one-touch buttons and speed-dial and group-dial entries.

#### To print a phone book report

1. On the all-in-one control panel, press **Menu**.
2. Use the < or the > button to select **Reports**, and then press ✓.
3. Use the < or the > button to select **PhoneBook report**, and then press ✓. The all-in-one exits the menu settings and prints the report.

## Billing-code report

The billing-code report is a printed list of all of the fax billing codes and the total number of faxes that have been billed to each code.



---

**NOTE** After this report is printed, all billing data is deleted.

---

### To print a billing-code report

1. On the all-in-one control panel, press **Menu**.
2. Use the < or the > button to select **Reports**, and then press √.
3. Use the < or the > button to select **Billing report**, and then press √. The all-in-one exits the menu settings and prints the report.

## HP ToolboxFX

HP ToolboxFX is a Web-based program that you can use for troubleshooting tasks.

### To view HP ToolboxFX

Open HP ToolboxFX in one of these ways:

- On the Windows desktop, double-click the HP ToolboxFX icon.
- On the Windows **Start** menu, click **Programs (All Programs in Windows XP)**, and then click HP ToolboxFX.

## Troubleshooting tab

HP ToolboxFX includes a **Troubleshooting** tab that contains links to the following main pages:

- **Control Panel Messages.** View descriptions of all-in-one control-panel messages.
- **Clearing Jams.** View information about locating and clearing jams.
- **Print Problems.** View Help topics that can help you solve print problems.
- **Scan Problems.** View Help topics that can help you solve scan problems.
- **Copy Problems.** View Help topics that can help you solve copy problems.
- **Fax Problems.** View Help topics that can help you solve fax problems.
- **Connectivity Problems.** View Help topics that can help you solve networking problems.
- **Troubleshooting Tools.** Employ such troubleshooting tools as a cleaning page to maintain the all-in-one.
- **Animated Demonstrations.** View animated Help demonstrations for the all-in-one.



---

**NOTE** Other tabs on FX might be helpful in troubleshooting all-in-one problems.

---

## Service menu

Use the control-panel **Service** menu to troubleshoot all-in-one problems.

### Restoring the factory-set defaults

Restoring the factory-set defaults returns all of the settings to the factory defaults, and it also clears the fax header name and phone number.



---

**CAUTION** This procedure clears fax numbers and names that are associated with one-touch keys and speed-dial codes, and deletes any pages that are stored in the memory. The procedure then automatically restarts the all-in-one.

---

#### To restore the factory-set defaults

1. On the all-in-one control panel, press **Menu**.
2. Use the < or the > button to select **Service**, and then press ✓.
3. Use the < or the > button to select **Restore defaults**, and then press ✓.

The all-in-one automatically restarts.

### Cleaning the paper path

The all-in-one features a special cleaning mode to clean the paper path.



---

**NOTE** If you have access to HP ToolboxFX, HP recommends cleaning the paper path by using HP ToolboxFX.

---

#### To clean the paper path

1. On the all-in-one control panel, press **Menu**.
2. Use the < or the > button to select **Service**, and then press ✓.
3. Use the < or the > button to select **Cleaning Mode**, and then press ✓.

A page feeds through the all-in-one slowly. Discard the page when the process is completed.

4. Load plain letter or A4 paper when you are prompted.
5. Press ✓ again to confirm and begin the cleaning process.

A page feeds through the all-in-one slowly. Discard the page when the process is completed.



## T.30 protocol trace

Use a T.30 protocol trace report to troubleshoot fax transmission issues.

### To print a T.30 protocol trace report

Send a fax from the all-in-one or receive a fax to the all-in-one from another fax machine, and then print a T.30 trace report after the fax prints.

1. On the all-in-one control panel, press **Menu**.
2. Use the **<** or the **>** button to select **Service**, and then press **✓**.
3. Use the **<** or the **>** button to select **Print T.30**, and then press **✓**.

The all-in-one exits the menu settings and prints the reports.

## Archive print

Archive print produces output that is less susceptible to toner smearing and dusting. Use archive print to create documents that you want to preserve or archive.

### To turn on archive print

1. On the all-in-one control panel, press **Menu**.
2. Use the **<** or the **>** button to select **Service**, and then press **✓**.
3. Use the **<** or the **>** button to select **Archive print**, select **On** or **Off**, and then press **✓**.

## Firmware updates and recovery

The all-in-one has a flash-memory-based formatter that enables the firmware code to be updated in the event that new firmware is released for the all-in-one. Using flash memory also provides a way to recover the firmware in the event of code corruption or failure.

### Firmware update by using a flash executable file

The configuration page lists the firmware version of the all-in-one. On the flash-memory-based all-in-one, you can update the firmware code by downloading the latest flash executable file for the all-in-one and running the program according to the readme instructions that come with it (go to [www.hp.com](http://www.hp.com)). Turn the all-in-one off and then on before running the executable file. If the firmware becomes corrupted or fails (usually because of an interruption when attempting to update the firmware), the all-in-one no longer functions. In this case, a firmware-recovery DIMM is available from HP.

### Firmware-recovery DIMM

A firmware-recovery DIMM (RDIMM) can be obtained from HP in the rare event that the firmware in the flash memory becomes corrupted. When the DIMM is installed in the DIMM slot on the formatter and the all-in-one is turned on, the DIMM loads the latest firmware code into the product.

#### To use the RDIMM

1. Order a RDIMM from HP. Retain the return mailer.
2. Turn off the all-in-one.
3. Install the RDIMM in the DIMM slot. See [Removing and replacing a DIMM on page 32](#).
4. Turn on the all-in-one. The RDIMM takes a few minutes to automatically restore both blocks of firmware code. Wait until the message **Complete** appears on the control-panel display.

# 7 Parts

- [Accessories and ordering information](#)
- [Supplies](#)
- [Memory](#)
- [Cable and interface accessories](#)
- [Paper-handling accessories](#)
- [Scanner/ADF replacement parts](#)
- [Control-panel bezels](#)
- [Supplementary documentation and support](#)
- [Troubleshooting diagrams](#)
- [How to use the parts lists and diagrams](#)
- [Scanner and ADF assemblies](#)
- [Scanner components](#)
- [ADF components](#)
- [Convenience stapler components \(HP LJ 3392 only\)](#)
- [Formatter, LIU, HP jewel, and nameplate](#)
- [External covers and panels](#)
- [Internal components \(1 of 4\)](#)
- [Internal components \(2 of 4\)](#)
- [Internal components \(3 of 4\)](#)
- [Internal components \(4 of 4\)](#)
- [Engine-controller assembly](#)
- [Main-drive assembly](#)
- [Duplexing-drive assembly](#)
- [Tray 2 cassette and tray 3 cassette/feeder](#)
- [Duplexing assembly](#)

- [Fuser assembly](#)
- [Alphabetical parts list](#)
- [Numerical parts list](#)

## Accessories and ordering information

Order replacement parts from the following Web sites:

- HP Parts Store: [www.hp.com/buy/parts](http://www.hp.com/buy/parts)
- Partsurfer: [www.partsurfer.hp.com](http://www.partsurfer.hp.com)
- HP Parts Portal: [www.hp.com/go/HPparts](http://www.hp.com/go/HPparts)

Order supplies from the following Web sites:

- North America: <http://www.hp.com/go/ordersupplies-na>
- Europe and Middle East: <http://www.hp.com/go/ordersupplies-emea>
- Asia Pacific countries/regions: <http://www.hp.com/go/ordersupplies-ap>
- Latin America: <http://www.hp.com/go/ordersupplies-la>

## Supplies

Item	Description	Part number
Black print cartridge	Average yield for the standard print cartridge is approximately 2,500 pages.	Q5949A (standard)
	Average yield for the standard print cartridge is approximately 6,000 pages Actual yield depends on use.	Q5949X (high capacity)
Staple cassette (2 pack)	1,500-staple capacity each	Q7432A (retail)
		Q7432-67001 (service)
Pickup roller	Tray 2 and optional tray 3	RL1-0540-00CN
Separation pad	Tray 2 and optional tray 3	RM1-1292-000CN

## Memory

Item	Description	Part number
Memory upgrades (DIMMs)	The standard 96 MB of memory in the all-in-one can be expanded to up to 224 MB using the additional DIMM slot.	C7845A
	32 MB	
Memory upgrades (DIMMs)	64 MB	Q1887A
Memory upgrades (DIMMs)	128 MB	C9121A

## Cable and interface accessories

Item	Description	Part number
USB cable	2-meter (6.56 feet) standard USB-compatible device connector	C6518A
Fax cord	Two-wire phone cord adapter.	8121-0811
Fax dongle	Two-wire to four-wire adapter (US)	Q3093-80004
Power cord	1.8 meter (6 feet) US/Canada	8120-8382
Power cord	1.8 meter (6 feet) Europe	8121-0516
Power cord	1.8 meter (6 feet) Switzerland	8121-0519
Power cord	1.8 meter (6 feet) United Kingdom	8121-0517
Power cord	1.8 meter (6 feet) Danish	8121-0518
Power cord	1.8 meter (6 feet) South America	8121-0520
Power cord	1.8 meter (6 feet) Israel	8121-0521

## Paper-handling accessories

Item	Description	Part number
Optional tray 3 cassette/feeder	250-sheet input tray/feeder for standard sizes. Only one optional 250-sheet tray can be installed.	Q7556A (new)
		Q7556-67901 (service)
Tray 2 cassette	250-sheet input tray for standard sizes.	RM1-1292-000CN
Staple cassette (2 pack)	1,500-staple capacity each	Q7432A (retail)
		Q7432-67001 (service)

## Scanner/ADF replacement parts

Item	Part number
PKG FGI ASSY LJ3390/3392 SSA (scanner assembly)	Q6500-67902
PKG FGI ASSY LJ3390/3392 ADF (ADF assembly)	Q6500-67903
LJ3390/3392 ADF cover replacement kit	Q6500-67901
ADF flag replacement kit	Q3948-67902
LJ3390/3392 input tray assembly	Q6500-60119
Clean out ADF	C7309-40153
ADF pick roller assembly	5851-2559
ADF separation pad	Q2665-60125
ADF assembly hinge replacement kit	Q3948-67905
LJ 3390/3392 ADF window replacement kit	Q6500-67904

# Control-panel bezels

Table 7-1 Control-panel bezels

Item	Language	Part number
Control-panel bezel	English	Q6500-40006
Control-panel bezel	French	Q6500-40010
Control-panel bezel	German	Q6500-40009
Control-panel bezel	German (unpainted)	Q6500-40031
Control-panel bezel	Italian	Q6500-40012
Control-panel bezel	Spanish	Q6500-40007
Control-panel bezel	Danish	Q6500-40016
Control-panel bezel	Dutch	Q6500-40011
Control-panel bezel	Finnish	Q6500-40015
Control-panel bezel	Norwegian	Q6500-40014
Control-panel bezel	Portuguese	Q6500-40008
Control-panel bezel	Swedish	Q6500-40013
Control-panel bezel	Czech	Q6500-40018
Control-panel bezel	Hungarian	Q6500-40019
Control-panel bezel	Polish	Q6500-40020
Control-panel bezel	Russian	Q6500-40017
Control-panel bezel	Slovak	Q6500-40021
Control-panel bezel	Turkish	Q6500-40022
Control-panel bezel	Arabic	Q6500-40025
Control-panel bezel	Greek	Q6500-40023
Control-panel bezel	Hebrew	Q6500-40024
Control-panel bezel	Korean	Q6500-40027
Control-panel bezel	Simplified Chinese	Q6500-40028
Control-panel bezel	Traditional Chinese	Q6500-40026
Control-panel bezel	Thai	Q6500-40029
Control-panel bezel	Vietnamese	Q6500-40030



## Supplementary documentation and support

**Table 7-2** Service and training support

Item	Part number
Service manual (this manual)	Q6500–90901
Service, support, and training CD	Q6500–60129

A printed copy of the user guide is available in the following languages.

**Table 7-3** User guides

Language	Part number
English	Q6500–90929
Chinese, simplified	Q6500–90939
Czech	Q6500–90930
Dutch	Q6500–90931
French	Q6500–90932
German	Q6500–90933
Hungarian	Q6500–90934
Italian	Q6500–90935
Korean	Q6500–90936
Polish	Q6500–90937
Portuguese	Q6500–90945
Russian	Q6500–90938
Spanish, Castilian	Q6500–90940
Swedish	Q6500–90941
Thai	Q6500–90943
Traditional Chinese	Q6500–90942
Turkish	Q6500–90944

A printed copy of the getting started guide is available in the following languages.

**Table 7-4** Getting started guide

Language	Part number
Arabic	Q6500–90905
Bulgarian	Q6500–90907
Chinese, simplified	Q6500–90908

**Table 7-4** Getting started guide (continued)

Language	Part number
Croatian	Q6500–90907
Czech	Q6500–90906
Danish	Q6500–90904
Dutch	Q6500–90903
English	Q6500–90903, Q6500–90904, Q6500–90905, Q6500–90906, Q6500–90907, Q6500–90908,
English only	Q6500–90902
Estonian	Q6500–90905
Finnish	Q6500–90904
French	Q6500–90903
German	Q6500–90903
Greek	Q6500–90904
Hebrew	Q6500–90904
Hungarian	Q6500–90906
Italian	Q6500–90903
Kazakh	Q6500–90905
Korean	Q6500–90908
Latvian	Q6500–90905
Lithuanian	Q6500–90905
Norwegian	Q6500–90904
Polish	Q6500–90906
Portuguese	Q6500–90903
Romanian	Q6500–90907
Russian	Q6500–90905
Slovak	Q6500–90906
Slovenian	Q6500–90907
Spanish	Q6500–90903
Swedish	Q6500–90904
Thai	Q6500–90908
Traditional Chinese	Q6500–90908
Turkish	Q6500–90907

**Table 7-5** Technical support Web sites

<b>HP Customer Care Online</b>	<a href="http://www.hp.com/support/lj3390">www.hp.com/support/lj3390</a>
--------------------------------	--

**Table 7-5** Technical support Web sites (continued)

---

Software drivers, support documentation, and answers to frequently asked questions	<a href="http://www.hp.com/support/lj3392">www.hp.com/support/lj3392</a>
<b>HP Technical Training (North America)</b>	<a href="http://www.hp.com/go/resellertraining">www.hp.com/go/resellertraining</a>
Classes and schedules	

---

# Troubleshooting diagrams

- [Repetitive image defects](#)
- [Interface connectors](#)
- [Formatter connectors](#)
- [Line interface unit \(LIU\)](#)
- [Solenoids](#)
- [Switches and sensors](#)
- [Rollers and pads](#)
- [PCAs \(base unit\)](#)
- [Major components \(base unit\)](#)
- [Scanner and ADF](#)
- [Circuit diagram](#)

## Repetitive image defects

If the all-in-one output has a consistent, repetitive defect, then use [Table 7-6 Repetitive image defects on page 266](#) to determine which part needs to be replaced based on the measured distance between the repetitions of the defect.

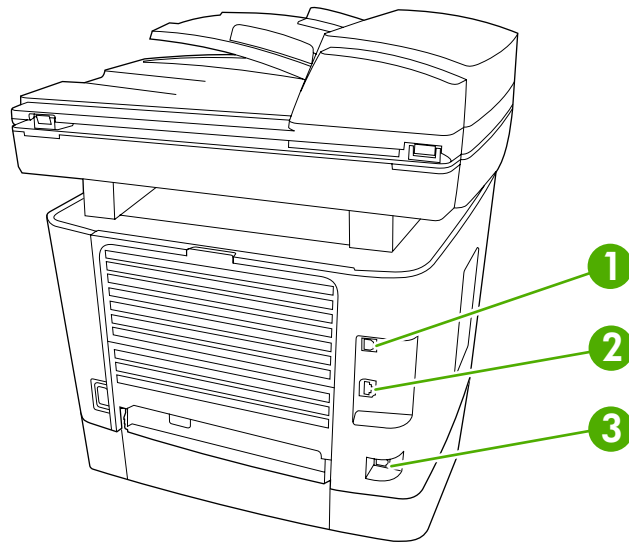


**NOTE** The following table replaces the graphical repetitive defect ruler. You can make your own ruler by using these measurements.

**Table 7-6** Repetitive image defects

Distance between identical defects	Dirty or damaged roller	Solution
37.7 mm (1.48 inches)	Primary charging roller	Replace the print cartridge.
43.0 mm (1.69 inches)	Registration roller	Replace the registration assembly (see <a href="#">Registration-roller assembly on page 172</a> ).
44.0 mm (1.73 inches)	Developing cylinder	Replace the print cartridge.
46.2 mm (1.82 inches)	Transfer roller	Replace the transfer roller.
56.5 mm (2.22 inches)	Fuser film	Replace the fuser (see <a href="#">Fuser on page 152</a> ).
69.0 mm (2.72 inches)	Pressure roller	Replace the fuser (see <a href="#">Fuser on page 152</a> ).
75.4 mm (2.97 inches)	Photosensitive drum	Replace the print cartridge.

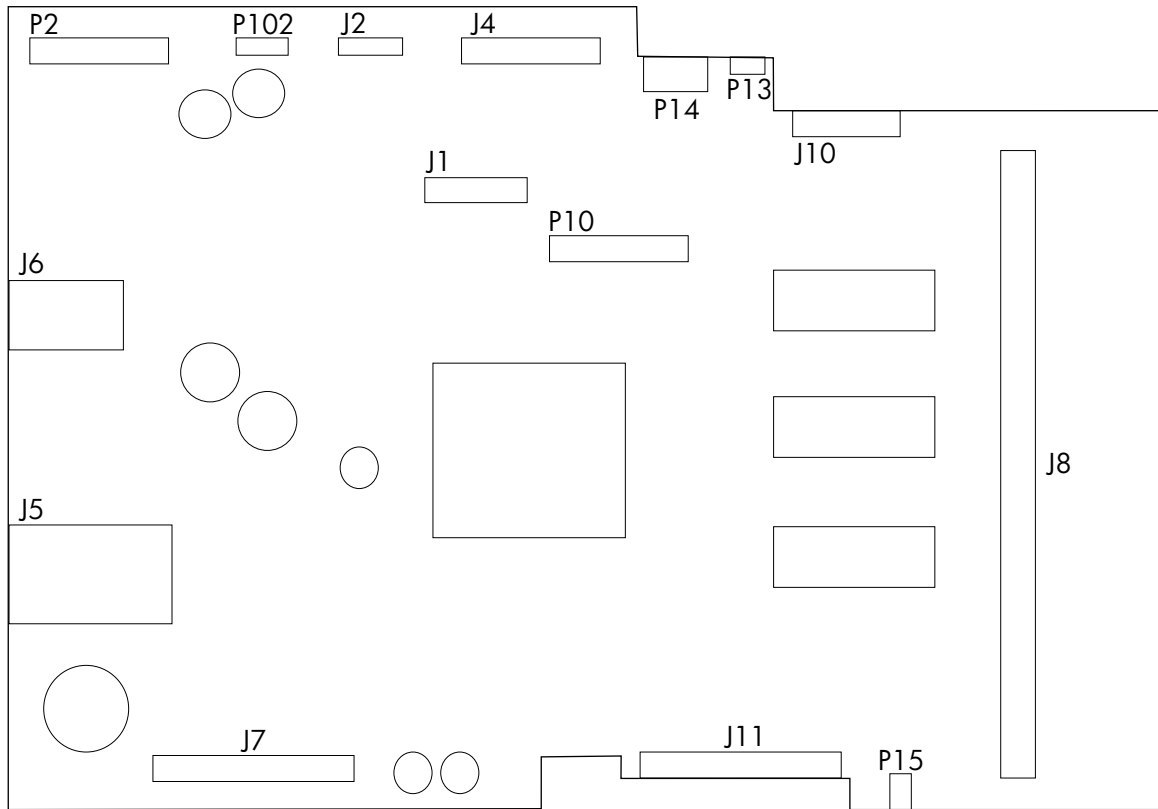
## Interface connectors



**Figure 7-1** Interface connectors

1	Hi-speed USB 2.0 port
2	Network port
3	Fax ports

## Formatter connectors



**Figure 7-2** Formatter connectors

Item	Description
P2	ADF motor
P102	Not used
J2	Flatbed motor
J4	Scanner
P14	Laser/scanner motor
P13	Memory tag reader
J10	Laser/scanner
P10	Not used
J1	Control panel
J8	DIMM
P15	Speaker
J11	ECU
J7	Line interface unit (LIU)
J5	Network port
J6	Hi-speed USB 2.0 port

# Line interface unit (LIU)

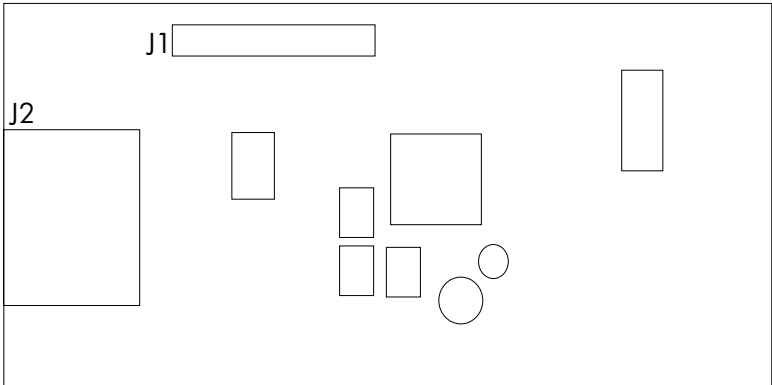
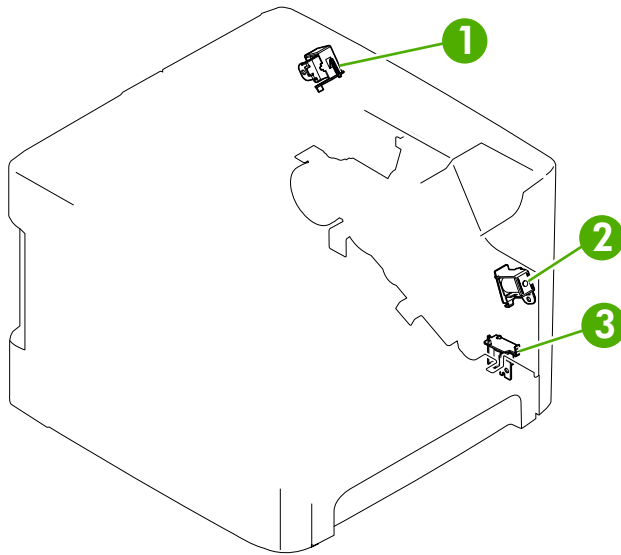


Figure 7-3 LIU connectors

Item	Description
J1	Formatter
J2	Fax ports

## Solenoids

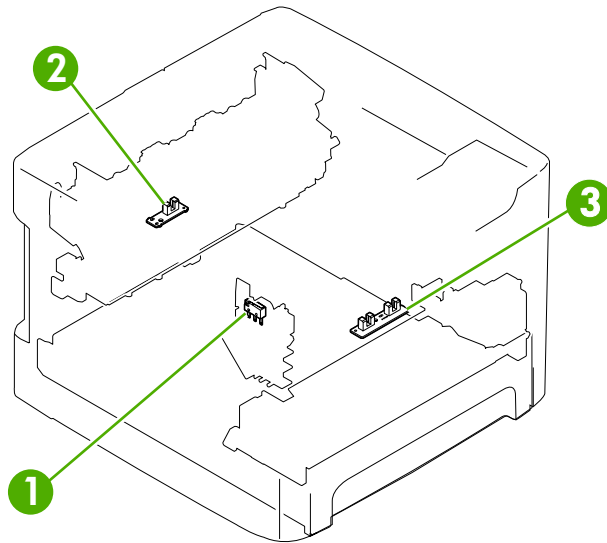


**Figure 7-4** Solenoids

Item	Description
1	Duplex solenoid
2	Priority input slot (tray 1) pickup solenoid
3	Tray 2 pickup solenoid



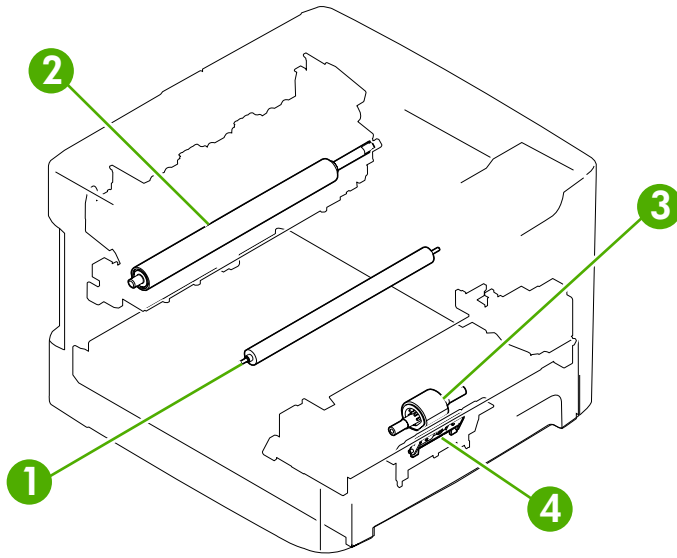
## Switches and sensors



**Figure 7-5** Switches and sensors

Item	Description
1	Interlock switch
2	Delivery sensor
3	Top-of-page sensor

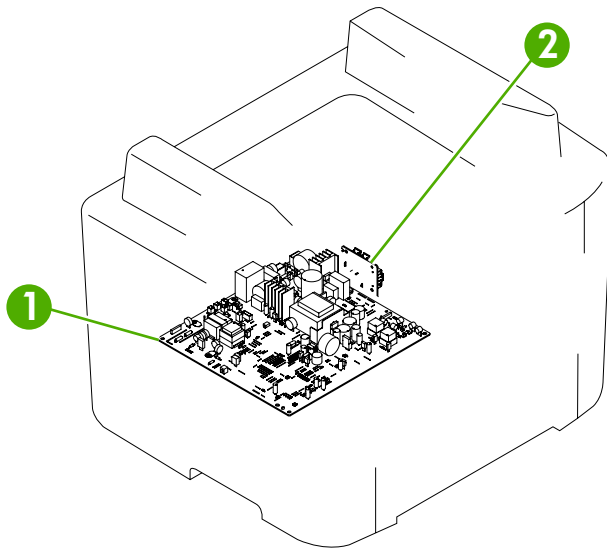
## Rollers and pads



**Figure 7-6** Rollers and pads

Item	Description
1	Transfer roller
2	Pressure roller
3	Pickup roller
4	Separation pad

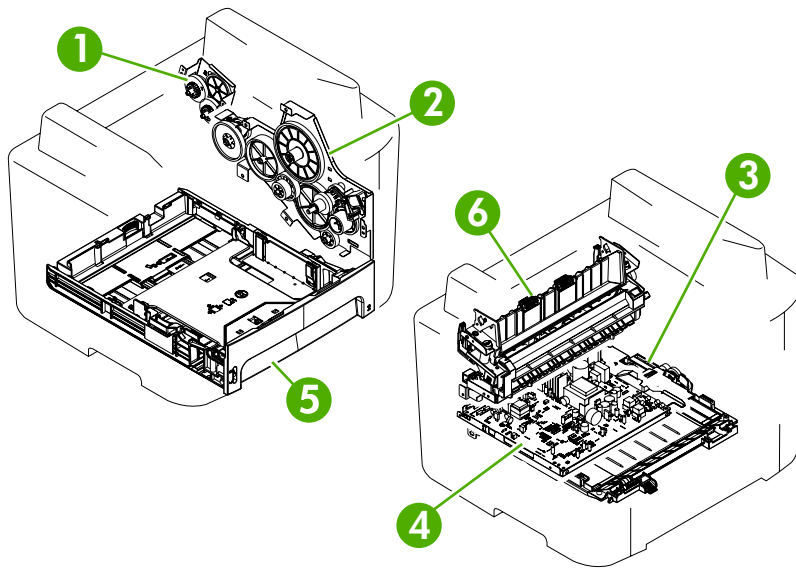
## PCAs (base unit)



**Figure 7-7** PCAs (base unit)

Item	Description
1	Engine-controller assembly (ECU)
2	Power-switch PCA

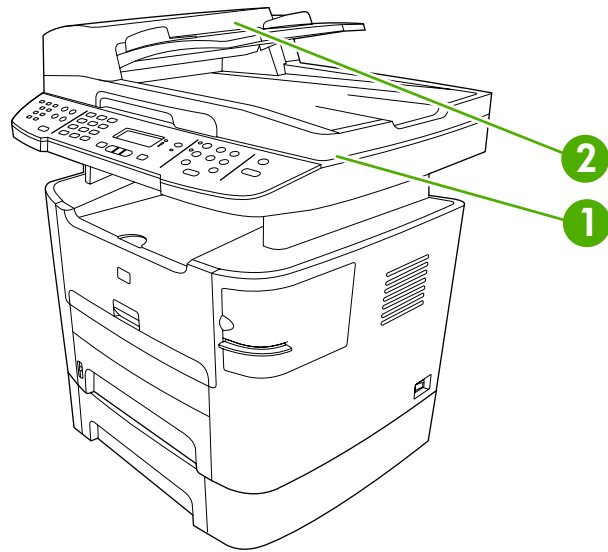
## Major components (base unit)



**Figure 7-8** Major components (base unit)

Item	Description
1	Duplex-drive gears
2	Main drive assembly
3	Duplex-drive assembly
4	Engine-controller assembly (ECU)
5	Tray 2 cassette
6	Fuser

## Scanner and ADF



**Figure 7-9** Scanner and ADF

Item	Description
1	Scanner
2	ADF

# Circuit diagram

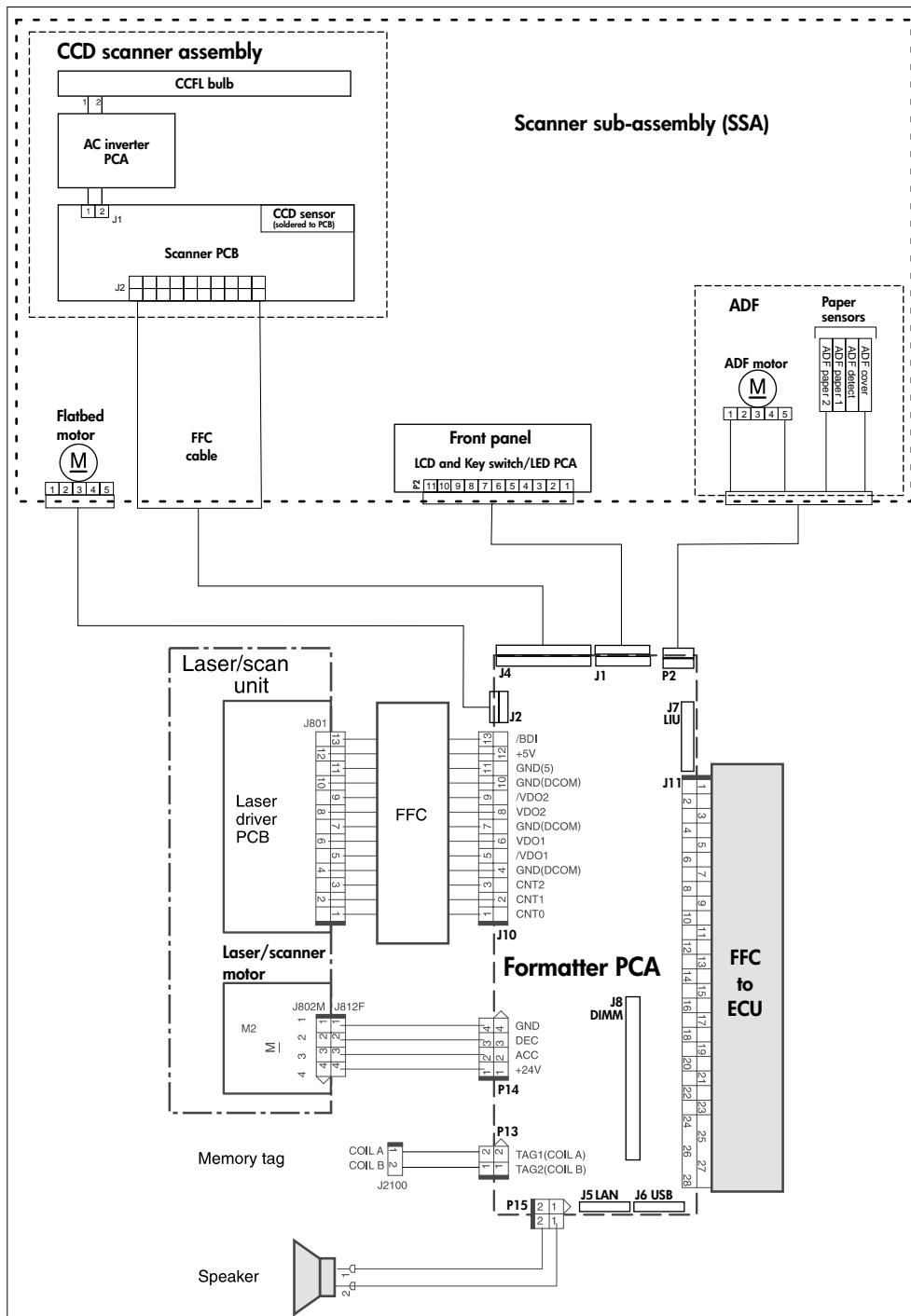


Figure 7-10 Circuit diagram (1 of 2)



# How to use the parts lists and diagrams

The figures in this chapter show the major subassemblies in the all-in-one and their component parts. A parts list table follows each exploded view assembly diagram. Each table lists the item number, the associated part number, and the description of each part. If a part is not listed in the table, then it is not a field replacement unit (FRU).



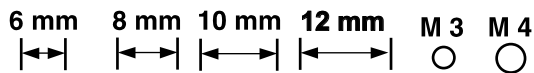
**CAUTION** Be sure to order the correct part. When looking for part numbers for electrical components, pay careful attention to the voltage that is listed in the description column to ensure that the part number selected is for the correct all-in-one model.



**NOTE** In this manual, the abbreviation “PCA” stands for “printed circuit board assembly.” components described as a PCA might consist of a single circuit board or a circuit board plus other parts, such as cables and sensors.

## Types of screws

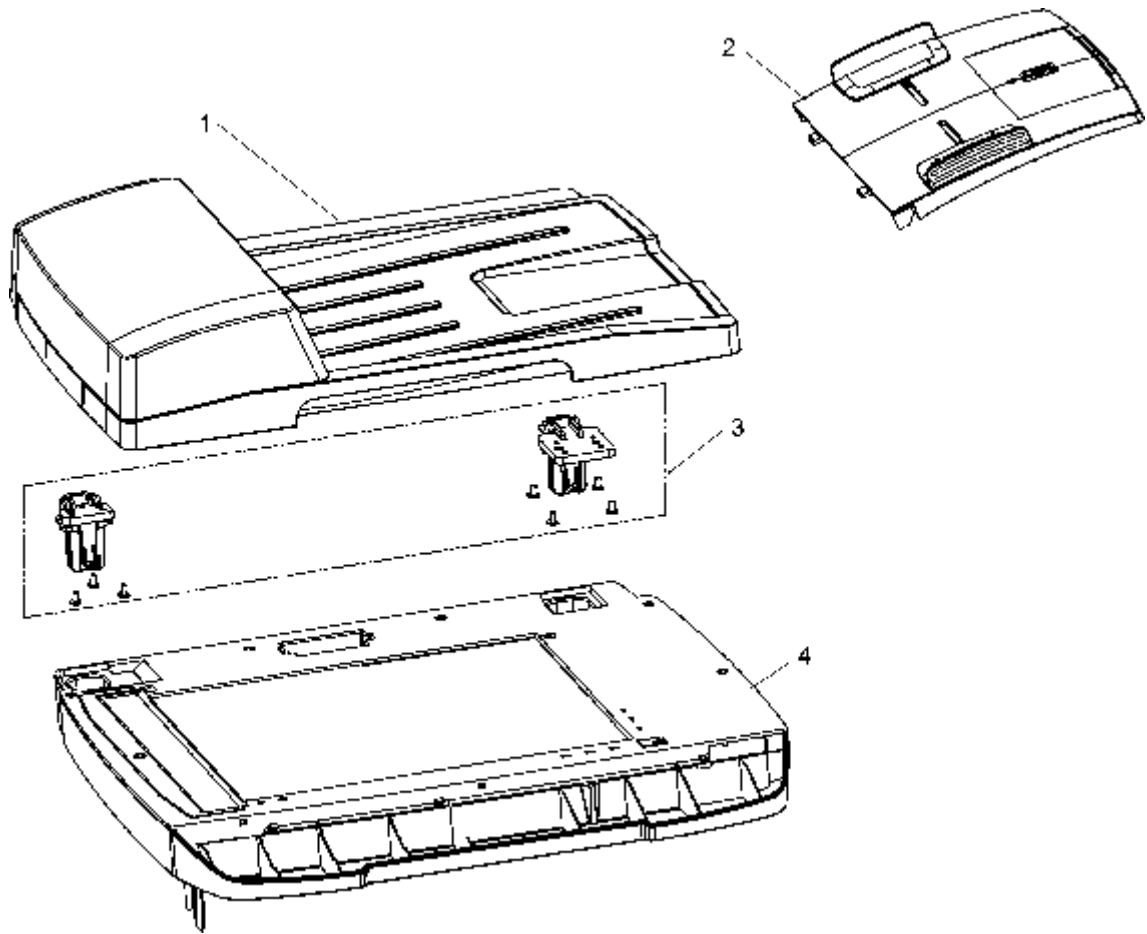
Illustration	Description	Size	Part Number	Use
	Screw, RS	M3X6	XA9-1495-000CN	Used to secure metal to metal
		M4X12	XA9-0722-000CN	
	Screw w/washer	M3X8	XA9-1420-000CN	Used to secure metal components to metal components (for example, a ground wire to the frame)
	Screw, tapping	M3X6	XB9-1503-000CN	Used to secure anything to plastic
	Screw, tapping, truss head	M4X10	XB4-7401-000CN	Used to secure anything to plastic







## Scanner and ADF assemblies

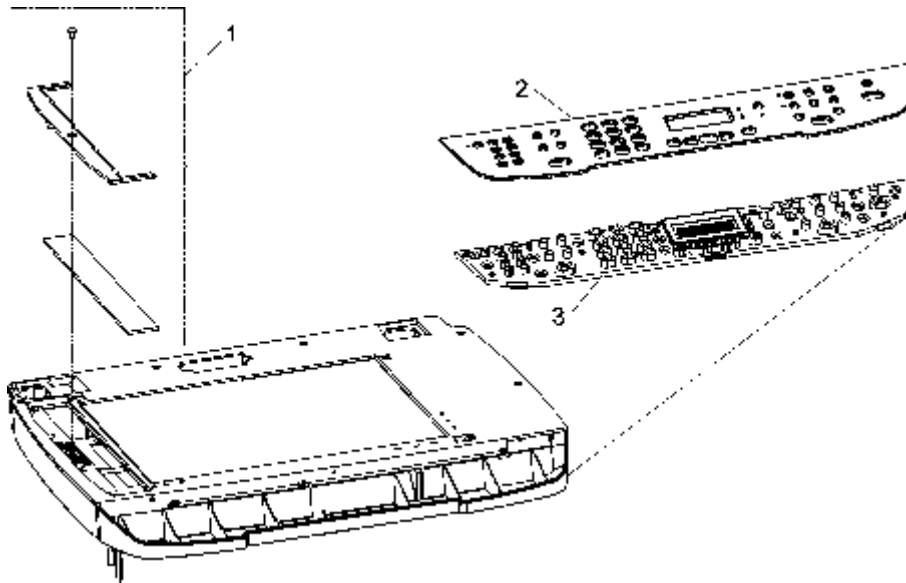


**Figure 7-12** Scanner and ADF assemblies

**Table 7-7** Scanner and ADF assemblies

<b>Ref</b>	<b>Description</b>	<b>Part number</b>	<b>Qty</b>
1	ADF PKG FGI ASSY (automatic document feeder)	Q6500-67903	1
2	Input tray assembly LJ3390/3392	Q6500-60119	1
3	ADF hinge replacement kit	Q3948-67905	1
4	SSA PKG FGI ASSY (scanner flatbed assembly)	Q3948-67905	1

## Scanner components

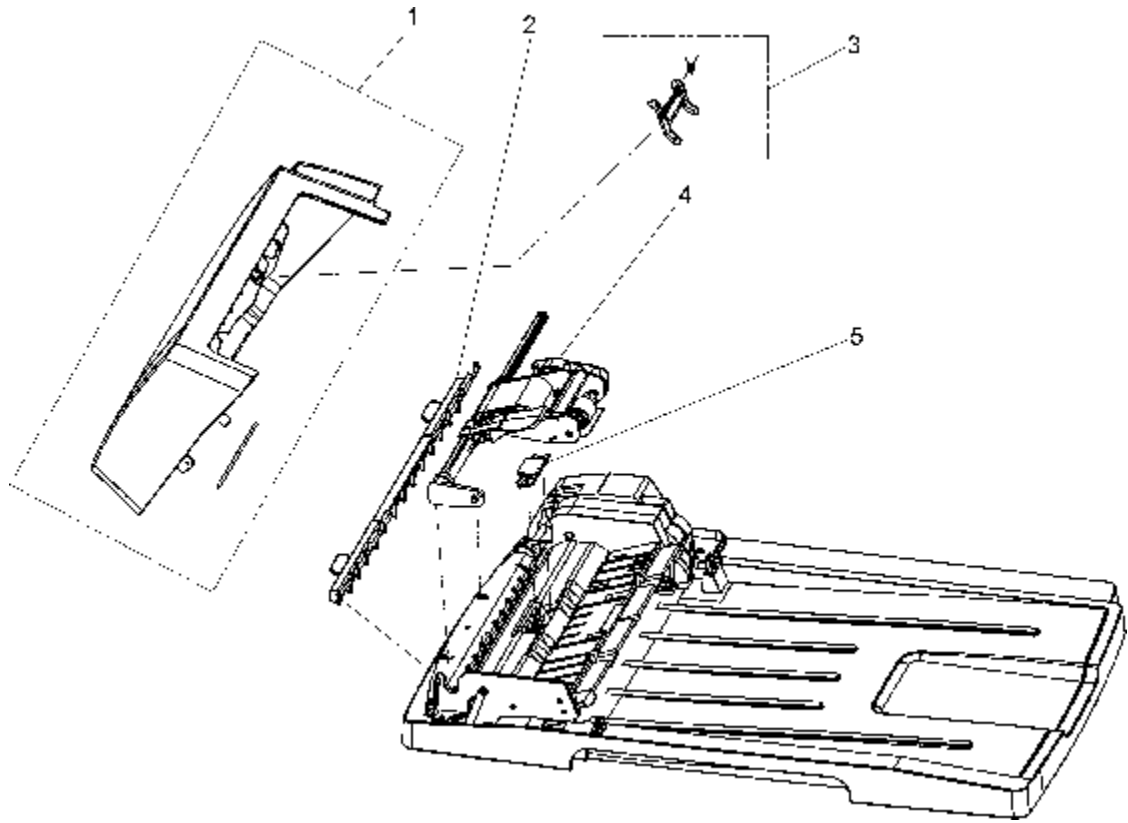


**Figure 7-13** Scanner assemblies

**Table 7-8** Scanner components

Ref	Description	Part number	Qty
1	ADF window replacement kit (HP LJ 3390/3392)	Q6500-67904	1
2	Bezel, control panel	See <a href="#">Control-panel bezels on page 262</a> .	1
3	Control panel	Q6500-60104	1

## ADF components

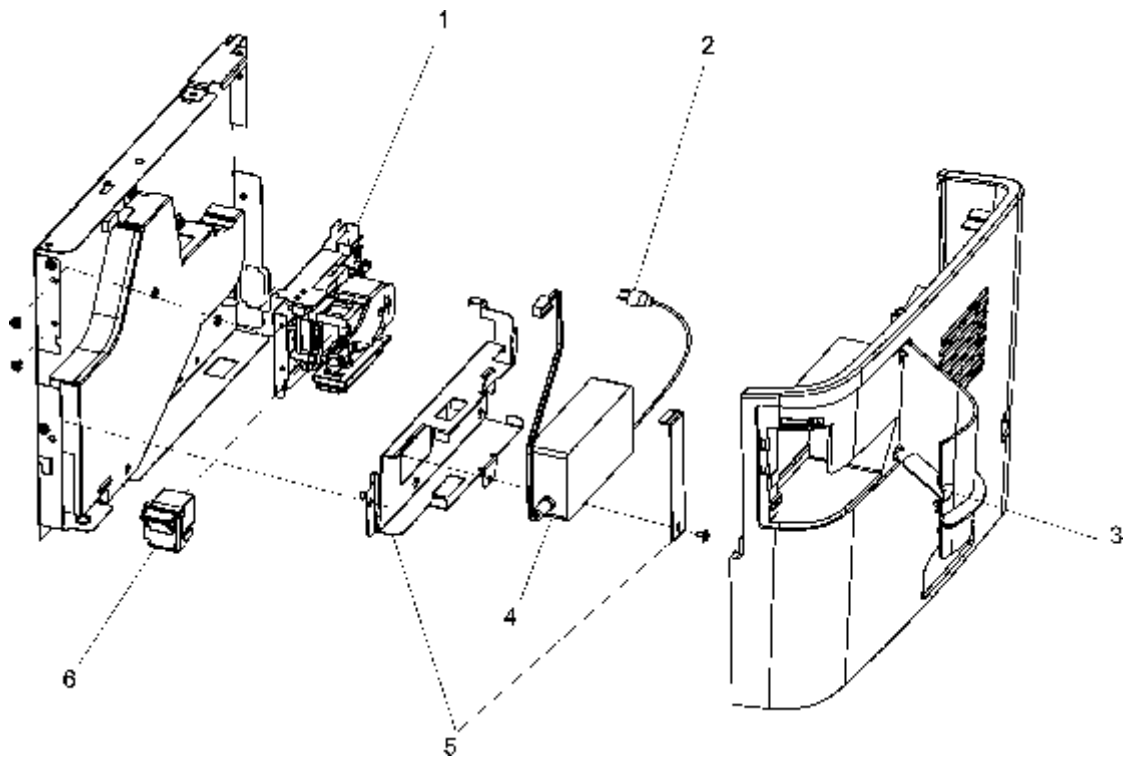


**Figure 7-14** ADF components

**Table 7-9** ADF components

<b>Ref</b>	<b>Description</b>	<b>Part number</b>	<b>Qty</b>
1	ADF cover replacement kit	Q6500-67901	1
2	ADF cleanout part	C7309-40153	1
3	ADF flag replacement kit	Q3948-67902	1
4	ADF pickup roller assembly	5851-2559	1
5	ADF separation pad	Q2665-60125	1

## Convenience stapler components (HP LJ 3392 only)



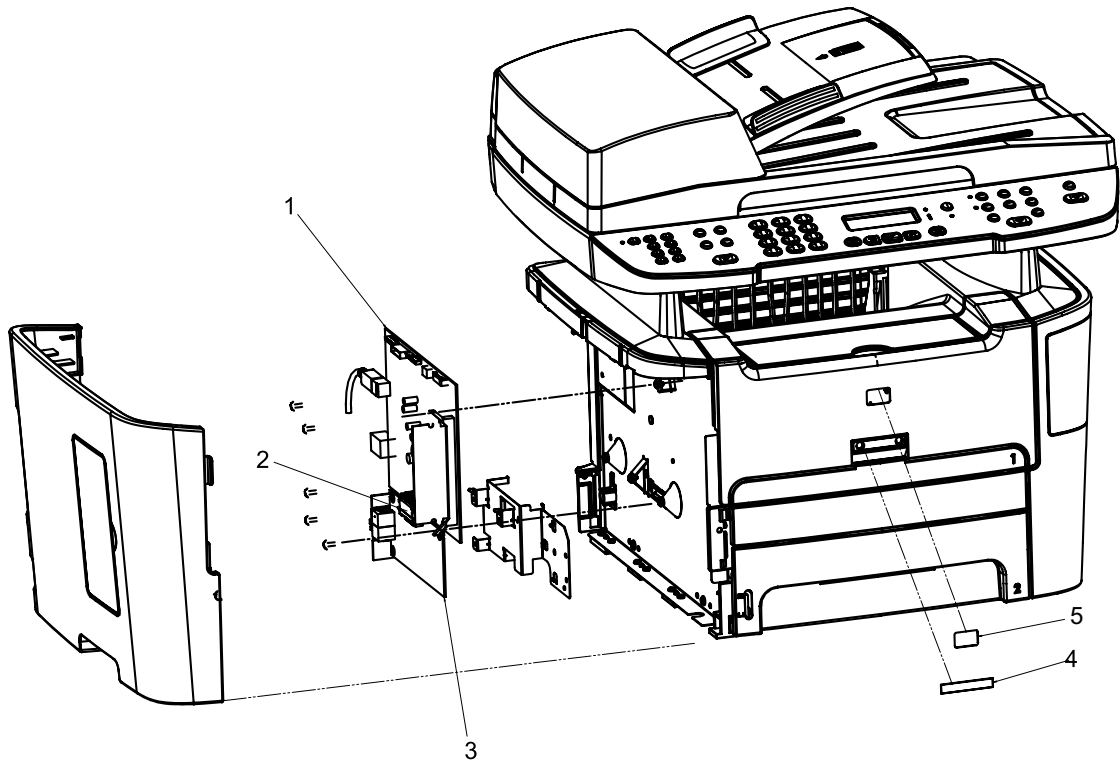
**Figure 7-15** Convenience stapler components (HP LJ 3392 only)



**Table 7-10** Convenience stapler components (HP LJ 3392 only)

<b>Ref</b>	<b>Description</b>	<b>Part number</b>	<b>Qty</b>
1	Convenience stapler mechanism HP LJ 3392 (replacement)	Q7429-67101	1
2	Convenience stapler ac inlet cable HP LJ 3392	Q6501-60101	1
3	Convenience stapler cover door HP LJ 3392	RC1-7523-000CN	1
4	Convenience stapler power supply HP LJ 3392	Q7429-60501	1
5	Convenience stapler power supply bracket and strap HP LJ 3392	Q6500-00006	1
6	Convenience stapler cassette (2-pack) HP LJ3392	Q7432-67001	1

## Formatter, LIU, HP jewel, and nameplate

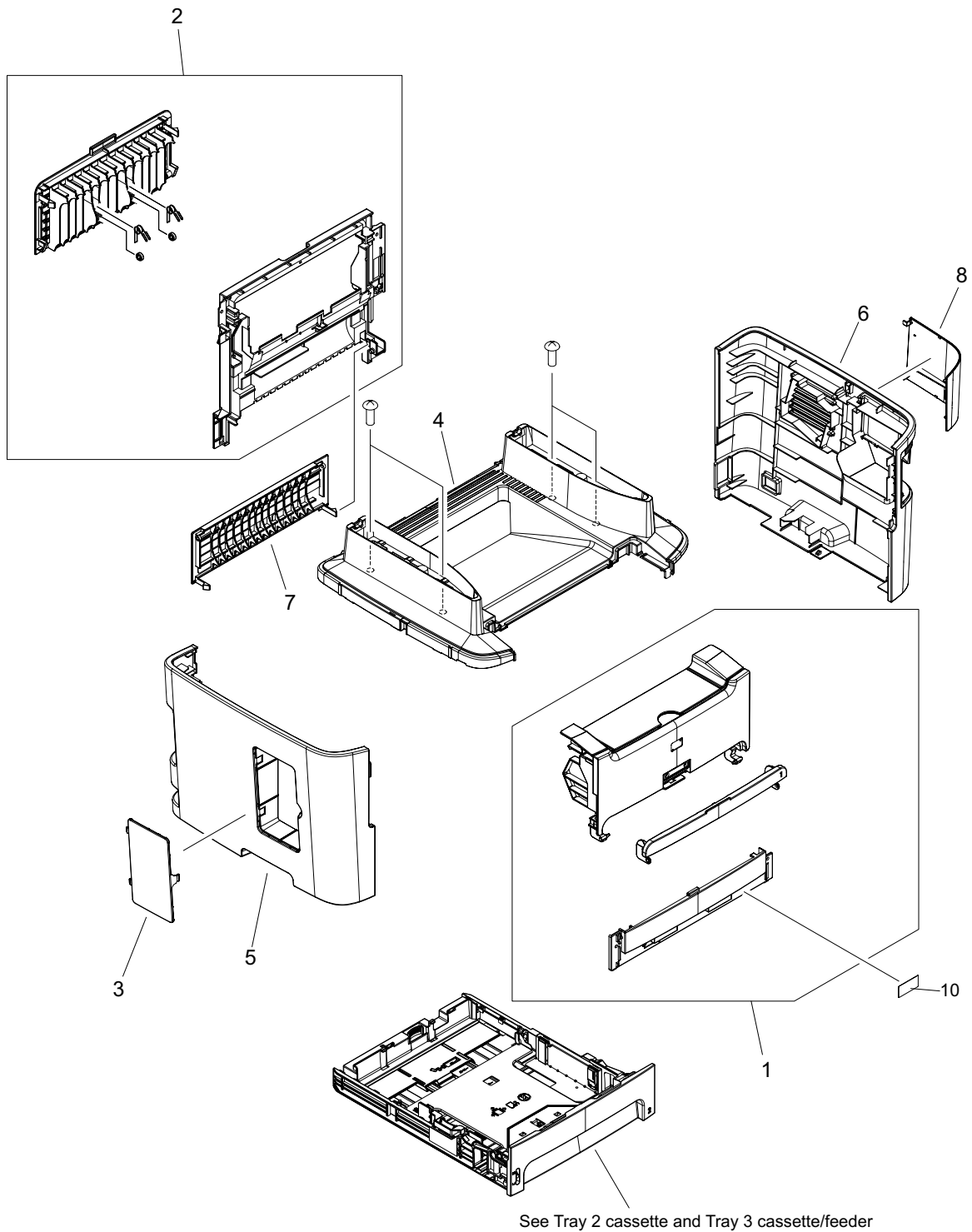


**Figure 7-16** Formatter, LIU, HP jewel, and nameplate

**Table 7-11** Formatter, LIU, HP jewel, and nameplate

<b>Ref</b>	<b>Description</b>	<b>Part number</b>	<b>Qty</b>
1	Formatter PCA	Q6445-60001	1
2	LIU/Formatter FFC	Q6500-60111	1
3	LIU (line interface unit) US/WW non ROHS	Q3977-60001	1
3	LIU (line interface unit) EMEA non ROHS	Q3978-60002	1
4	Nameplate HP LJ 3390	Q6500-4000X	1
4	Nameplate HP LJ 3392	Q6501-4000X	1
5	Jewel, HP	7121-8043	1

# External covers and panels

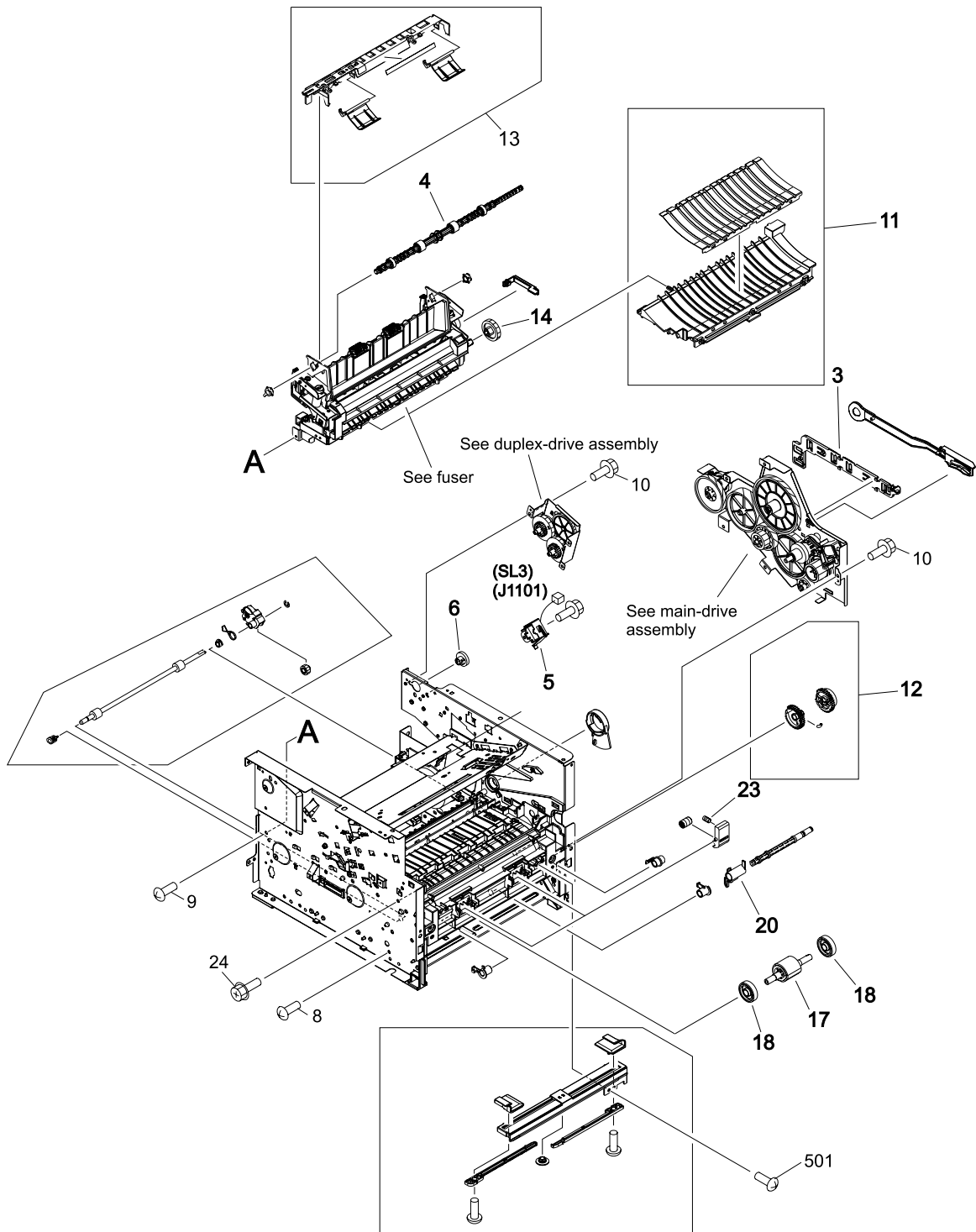


**Figure 7-17** External covers and panels

**Table 7-12** External covers and panels

<b>Ref</b>	<b>Description</b>	<b>Part number</b>	<b>Qty</b>
1	Front cover assembly	RM1-2643-000CN	1
2	Rear cover assembly	RM1-1308-000CN	1
3	Cover DIMM	RC1-7510-000CN	1
4	Cover top	RC1-7508-000CN	1
5	Cover left	RC1-7509-000CN	1
6	Cover right	RC1-7511-000CN	1
7	Cover rear	RC1-3819-000CN	1
8	Cover dummy (stapler plug; HP LJ 3390))	RC1-7512-000CN	1
10	Label, stapler prohibition	RC1-3794-000CN	1

# Internal components (1 of 4)

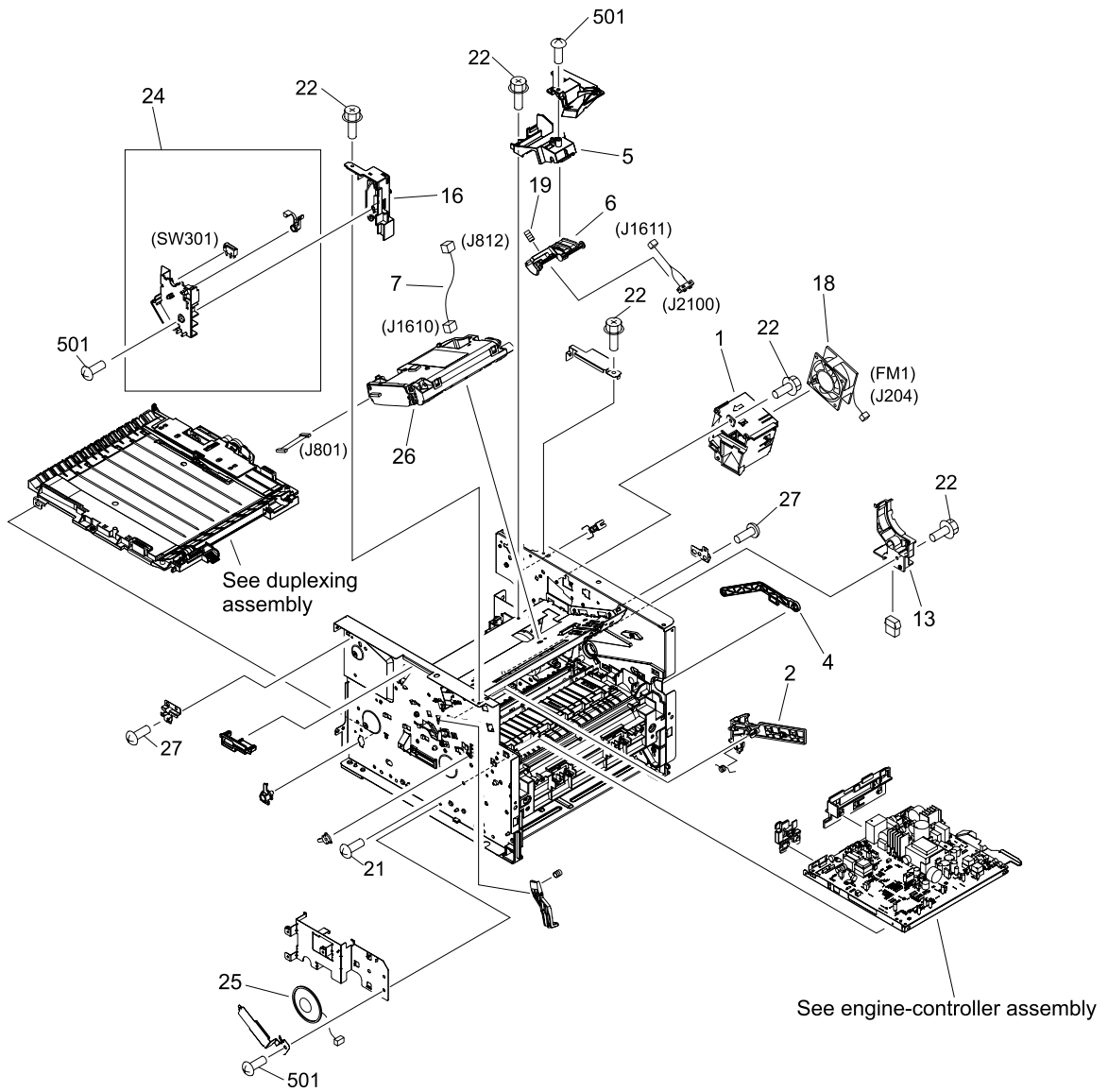


**Figure 7-18** Internal components (1 of 4)

**Table 7-13** Internal components (1 of 4)

<b>Ref</b>	<b>Description</b>	<b>Part number</b>	<b>Qty</b>
3	Guide, dc cable 2	RC1-3731-000CN	1
4	Roller, face down	RL1-0527-000CN	1
5	Solenoid	RK2-0910-000CN	1
8	Screw, RS 3X6	XA9-1495-000CN	28
9	Screw, Tap 3X6	XA9-1503-000CN	5
10	Screw, RS M3X8	XA9-1504-000CN	7
6	Gear, 19T	RU5-0332-000CN	1
11	Paper-feed guide assembly	RM1-1286-000CN	1
12	Paper-pickup gear assembly	RM1-1301-000CN	1
13	Paper-retaining assembly	RM1-1306-000CN	1
14	Gear, 29T	RM1-1286-000CN	1
17	Roller, paper pickup	RL1-0540-000CN	1
18	Roller, paper-pickup idler	RC1-3470-000CN	2
20	Flag, paper sensing	RC1-3472-000CN	1
23	Spring, compression	RU5-2323-000CN	2
24	Screw, W/Washer M3X8	XB4-5300-805CN	4
501	Screw, Tapping truss head M4X10	XB4-5300-805CN	4

## Internal components (2 of 4)



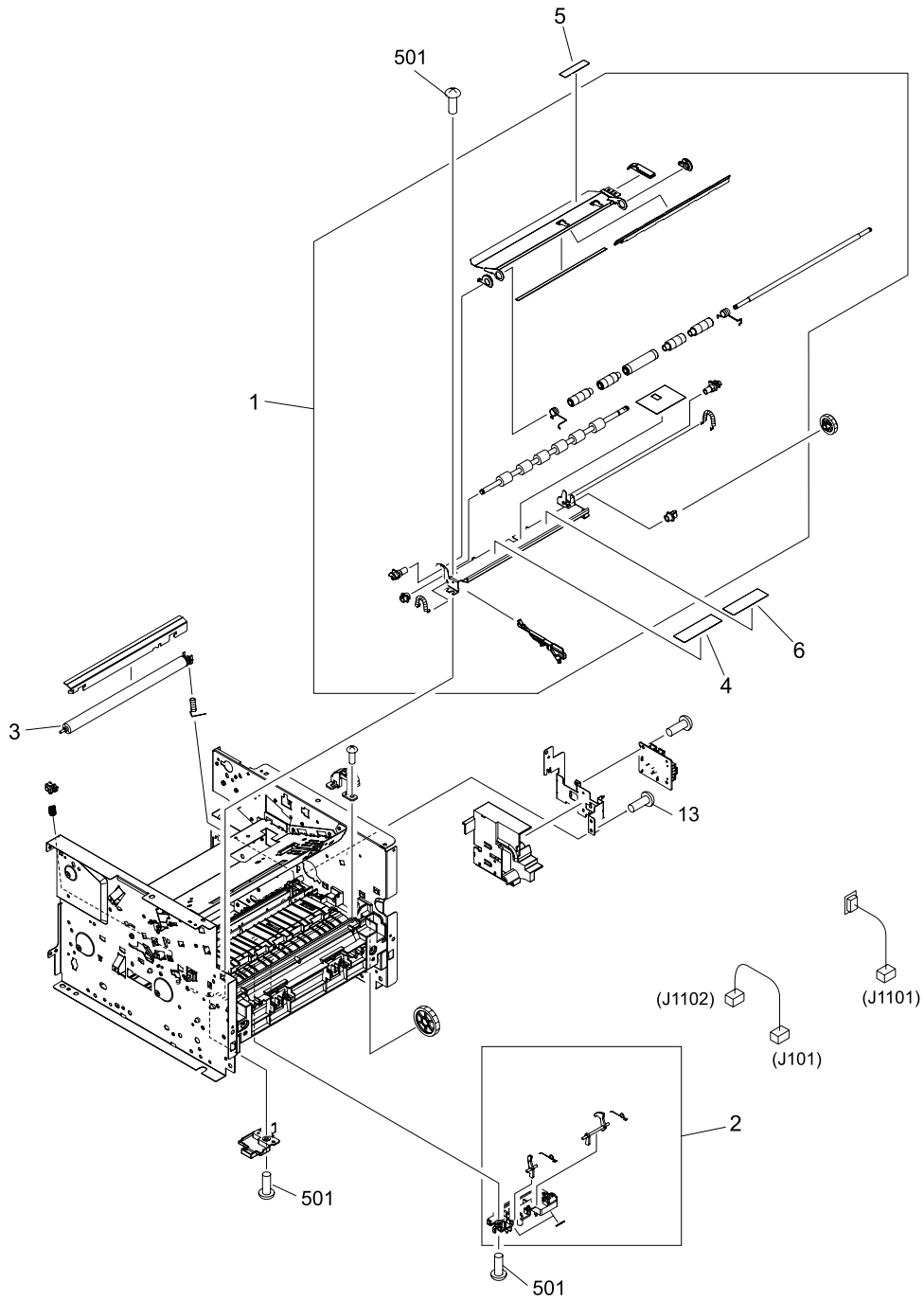
**Figure 7-19** Internal components (2 of 4)



**Table 7-14** Internal components (2 of 4)

<b>Ref</b>	<b>Description</b>	<b>Part number</b>	<b>Qty</b>
1	Holder, fan	RC1-7514-000CN	1
2	Guide, cartridge, left upper	RC1-3539-000CN	1
4	Arm, cam	RC1-3544-000CN	1
5	Holder, tag arm	RC1-35504-000CN	1
6	Arm, tag	RC1-3551-000CN	1
13	Holder, drawer	RC1-3728-000CN	1
16	Guide, cartridge, front	RC1-3844-000CN	1
18	Fan	RK2-0912-000CN	1
19	Spring, compression	RU5-2335-000CN	1
21	Screw, Tap M3X6	XA9-1503-000CN	4
22	Screw, RS M3X8	XA9-1504-000CN	8
24	Interlock assembly	RM1-2645-000CN	1
25	Speaker assembly	RM1-2571-000CN	1
26	Scanner assembly (laser/scanner)	RM1-1470-000CN	1
27	Screw, RS M3X6	XA9-1495-000CN	2
501	Screw, Tapping truss head M4X10	XB4-7401-005CN	17

## Internal components (3 of 4)

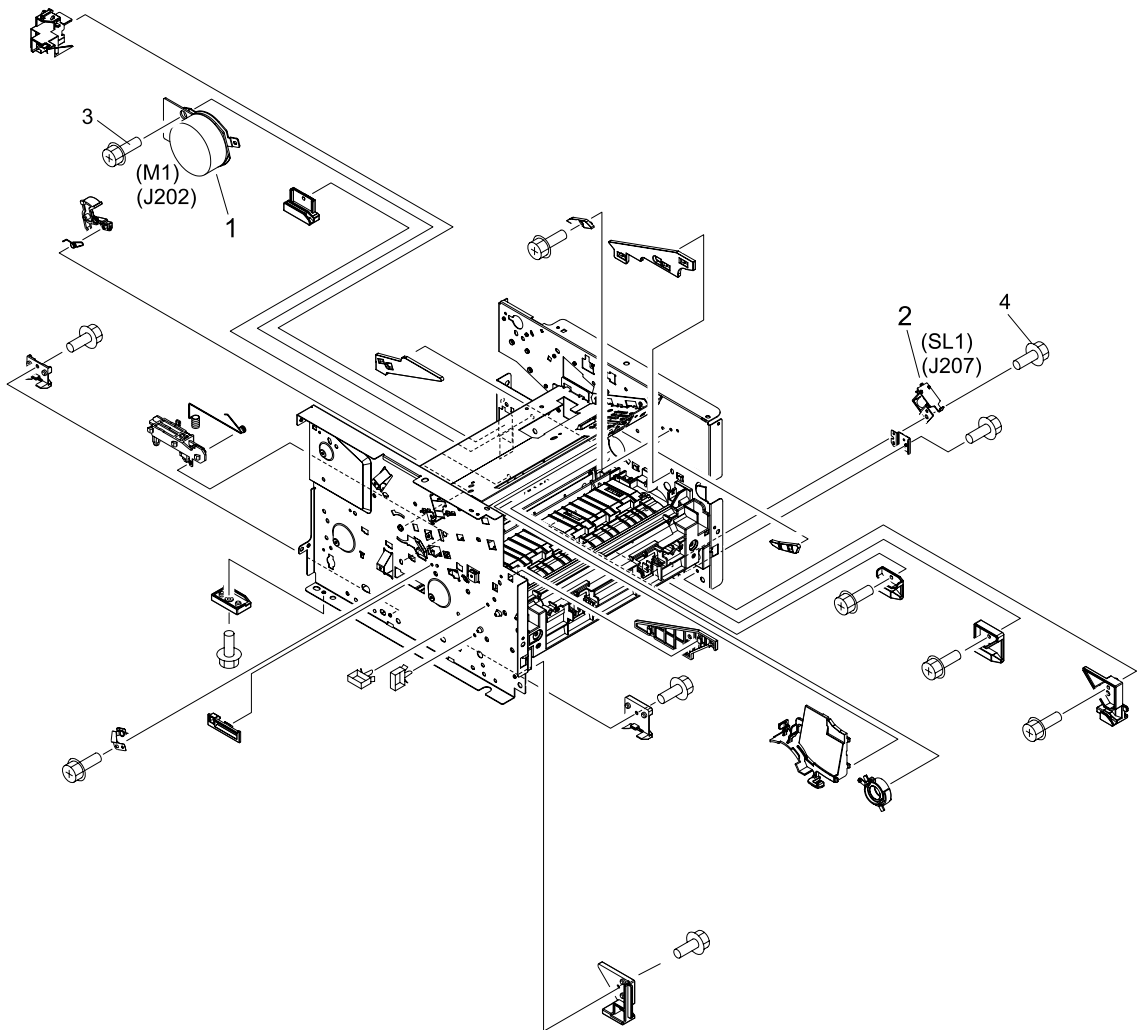


**Figure 7-20** Internal components (3 of 4)

**Table 7-15** Internal components (3 of 4)

<b>Ref</b>	<b>Description</b>	<b>Part number</b>	<b>Qty</b>
1	Registration assembly	RM1-1281-000CN	1
2	Top-sensor assembly	RM1-1283-000CN	1
3	Roller, transfer	RM1-1471-000CN	1
4	Label, clear jam	RC1-7528-000CN	1
5	Label, transfer guide open	RC1-3796-000CN	1
6	Label, Fixing (fusing) pressure release	RC1-7529-000CN	1
13	Screw, RS M3X6	XA9-1495-000CN	2
501	Screw, Tapping truss head M4X10	XB4-7401-005CN	9

## Internal components (4 of 4)

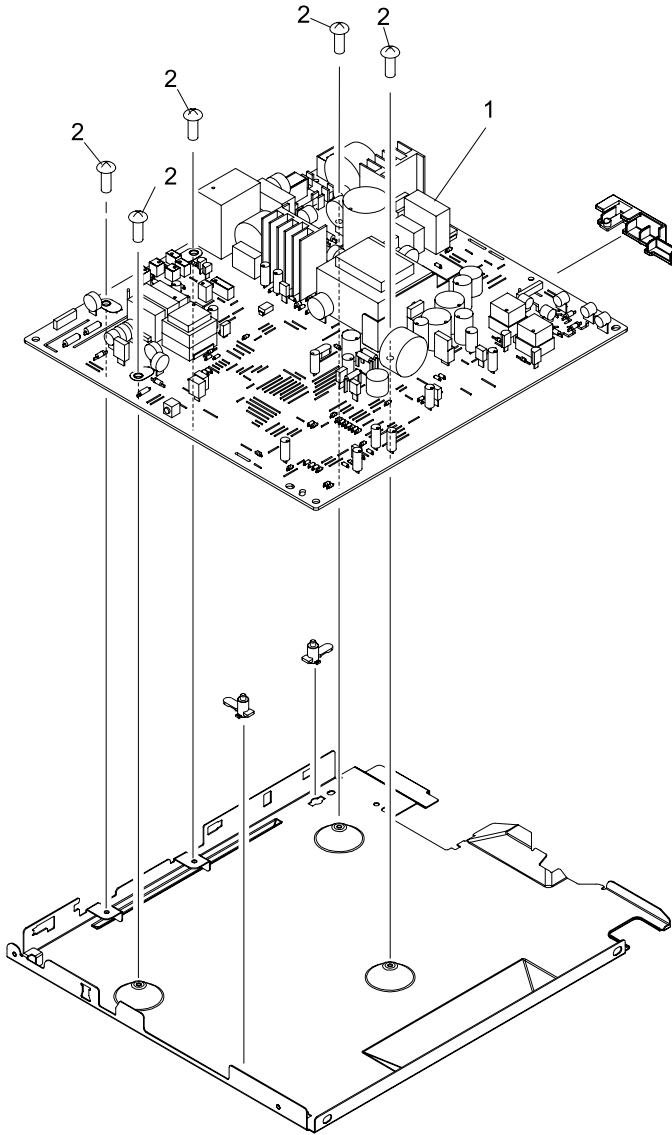


**Figure 7-21** Internal components (4 of 4)

**Table 7-16** Internal components (4 of 4)

<b>Ref</b>	<b>Description</b>	<b>Part number</b>	<b>Qty</b>
1	Motor, dc (M1)	RK2-0418-000CN	1
2	Solenoid (SL1)	RK2-0424-000CN	1
3	Screw, RS M3X8	XA9-1504-000CN	1
4	Screw, RS M3X6	XA9-1495-000CN	1

# Engine-controller assembly



**Figure 7-22** Engine-controller assembly

**Table 7-17** Engine-controller assembly

<b>Ref</b>	<b>Description</b>	<b>Part number</b>	<b>Qty</b>
1	Engine-controller PCA (110 to 127 v)	RM1-2566-000CN	1
1	Engine-controller PCA (220 to 240 v)	RM1-2567-000CN	1
2	Screw, W/Washer M3X8	XA9-1420-000CN	5

# Main-drive assembly

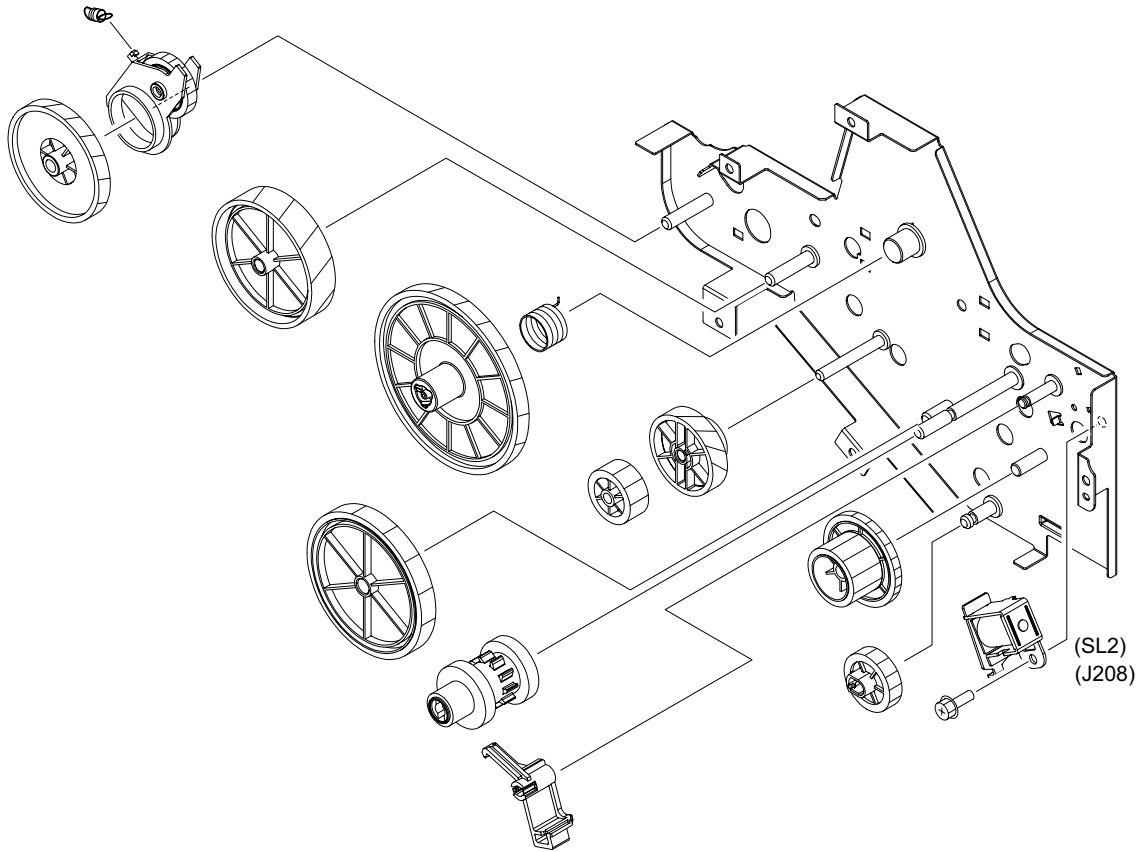


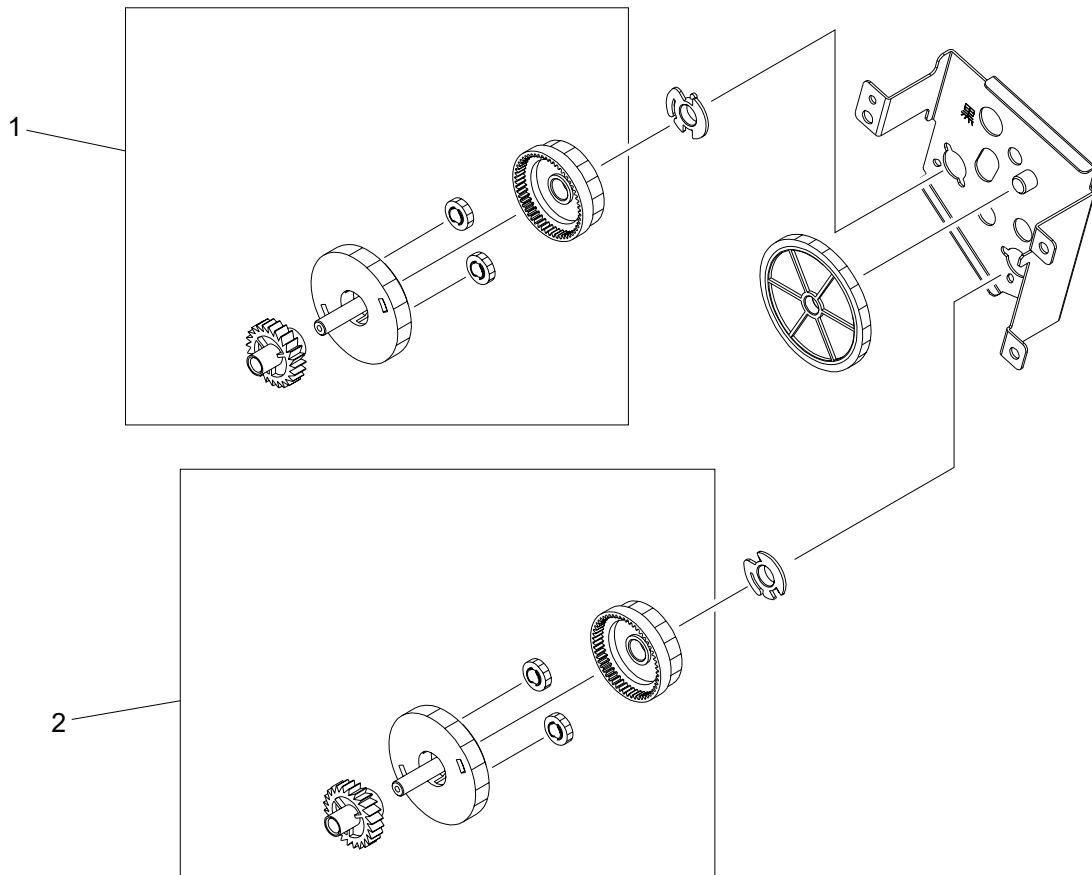
Figure 7-23 Main-drive assembly



**Table 7-18** Main-drive assembly

<b>Ref</b>	<b>Description</b>	<b>Part number</b>	<b>Qty</b>
all	Main-drive assembly	RM1-1299-000CN	1

# Duplexing-drive assembly

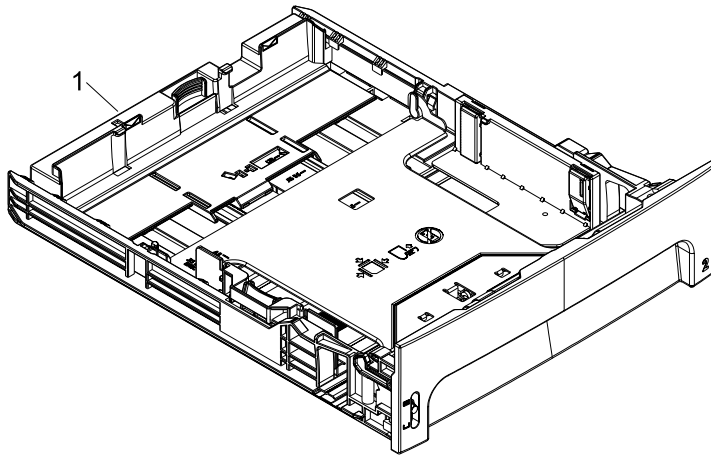


**Figure 7-24** Duplexing-drive assembly

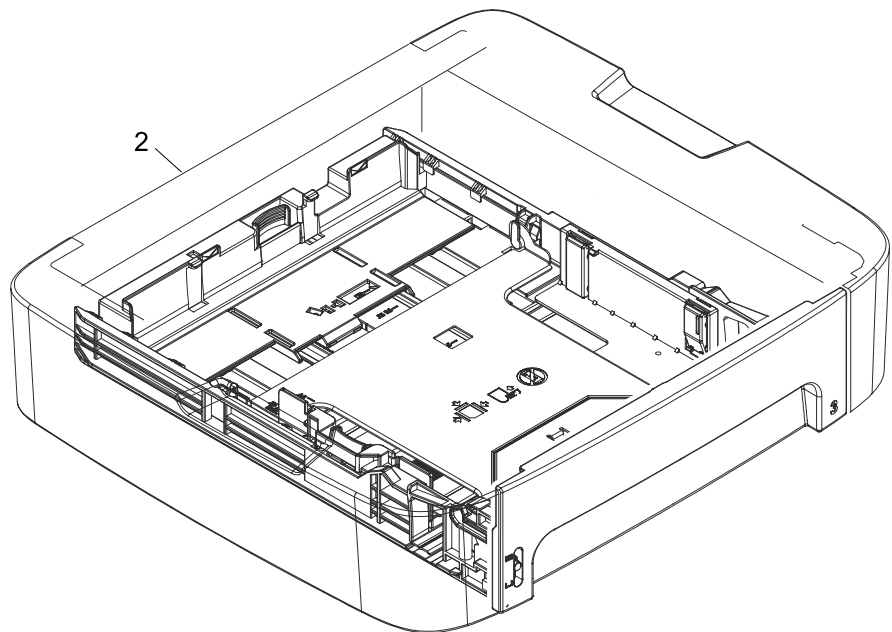
**Table 7-19** Duplexing-drive assembly

<b>Ref</b>	<b>Description</b>	<b>Part number</b>	<b>Qty</b>
all	Duplexing-drive assembly	RM1-1302-000CN	1
1	Normal-rotation drive assembly	RM1-1303-000CN	1
2	Reverse-rotation drive assembly	RM1-1304-000CN	1

## Tray 2 cassette and tray 3 cassette/feeder



Tray 2 cassette



Tray 3 cassette/feeder

**Figure 7-25** Tray 2 cassette and tray 3 cassette/feeder

**Table 7-20** Cassette, tray 2 (250-sheet)

<b>Ref</b>	<b>Description</b>	<b>Part number</b>	<b>Qty</b>
1	Cassette, tray 2 (250-sheet)	RM1-1292-000CN	1
2	Cassette/feeder, tray 3 (250-sheet)	Q7556-67901	1

# Duplexing assembly

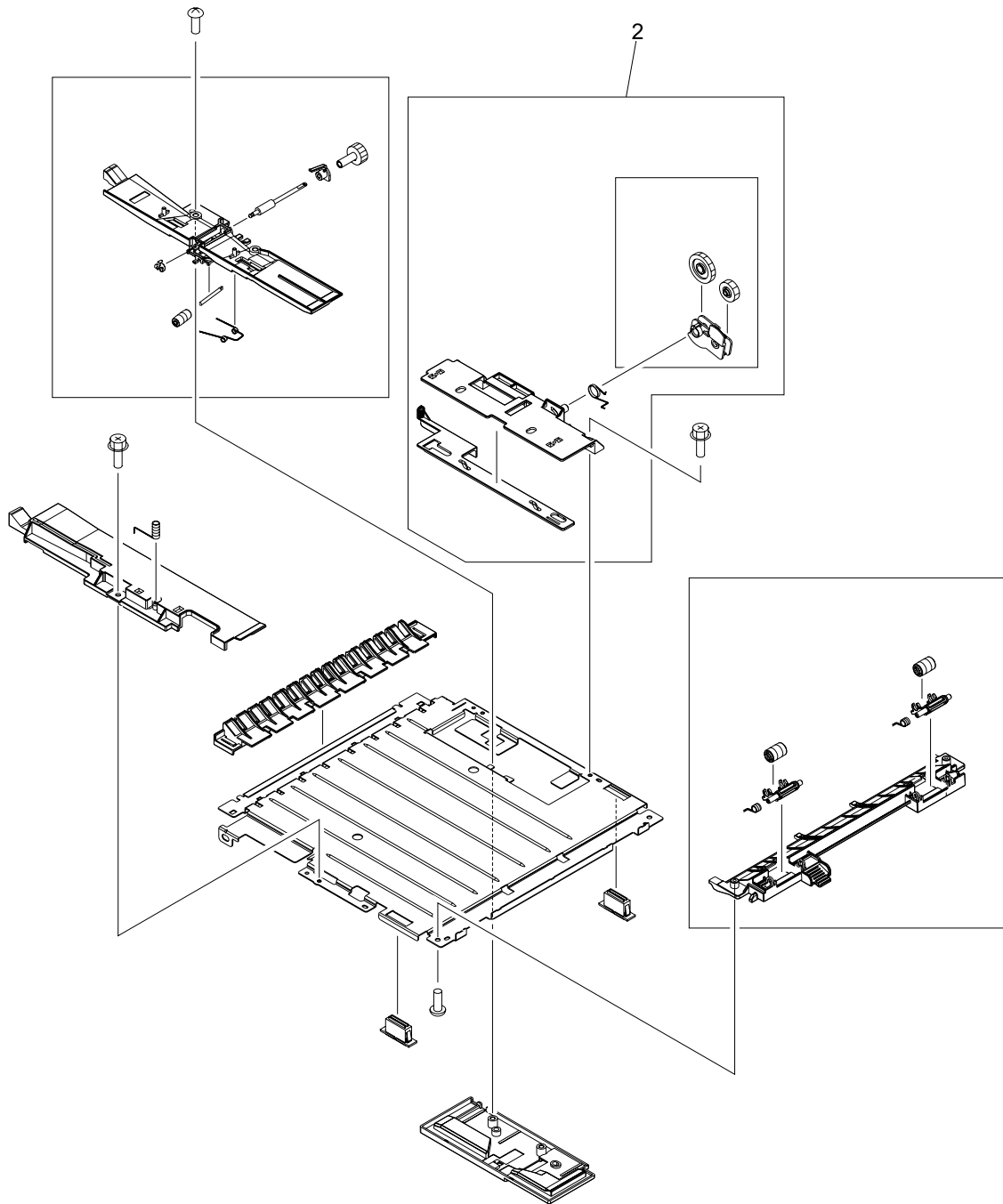


Figure 7-26 Duplexing assembly

**Table 7-21** Duplexing assembly

<b>Ref</b>	<b>Description</b>	<b>Part number</b>	<b>Qty</b>
all	Duplexing assembly	RM1-1313-000CN	1
2	Size change assembly	RM1-1318-000CN	1

# Fuser assembly

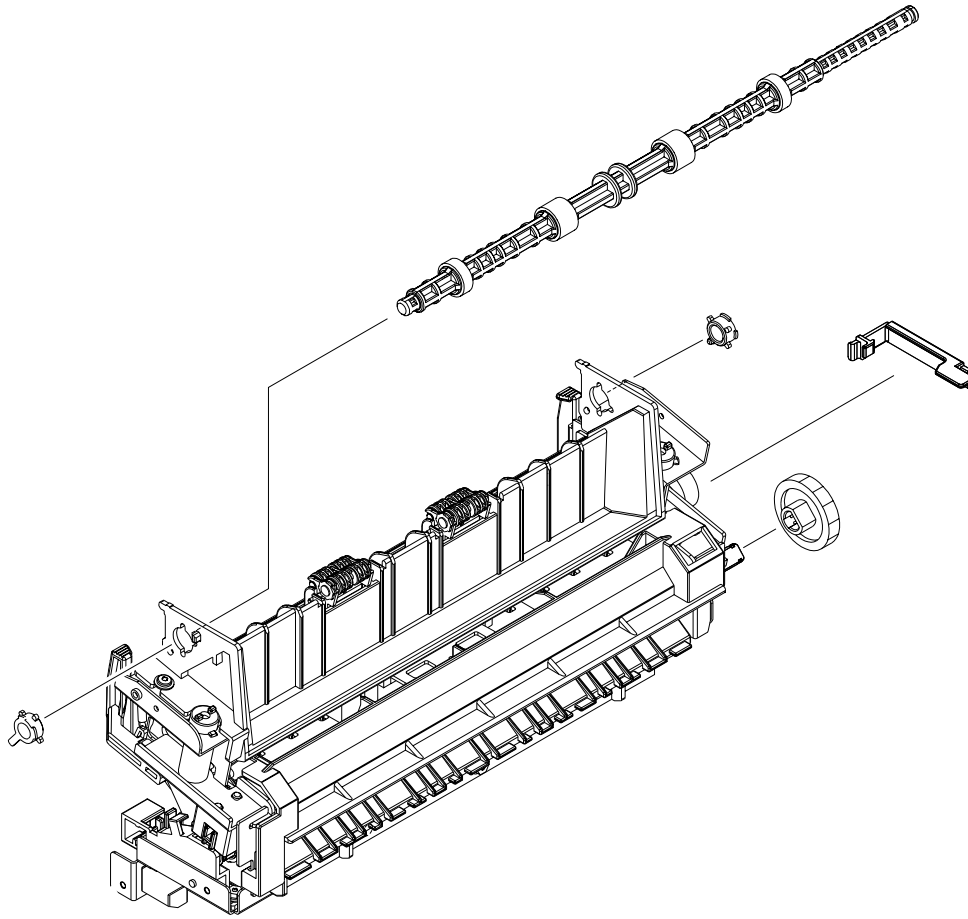


Figure 7-27 Fuser assembly



**Table 7-22** Fuser assembly

<b>Ref</b>	<b>Description</b>	<b>Part number</b>	<b>Qty</b>
all	Fuser (110 to 127 v)	RM1-1289-000CN	1
all	Fuser (220 to 240 v)	RM1-1461-000CN	1

# Alphabetical parts list

**Table 7-23** Alphabetical parts list

Description	Part number	Table and page
ADF cleanout part	C7309-40153	<a href="#">ADF components on page 285</a>
ADF cover replacement kit	Q6500-67901	<a href="#">ADF components on page 285</a>
ADF flag replacement kit	Q3948-67902	<a href="#">ADF components on page 285</a>
ADF hinge replacement kit	Q3948-67905	<a href="#">Scanner and ADF assemblies on page 281</a>
ADF pickup roller assembly	5851-2559	<a href="#">ADF components on page 285</a>
ADF PKG FGI ASSY (automatic document feeder)	Q6500-67903	<a href="#">Scanner and ADF assemblies on page 281</a>
ADF separation pad	Q2665-60125	<a href="#">ADF components on page 285</a>
ADF window replacement kit (HP LJ 3390/3392)	Q6500-67904	<a href="#">Scanner components on page 283</a>
Arm, cam	RC1-3544-000CN	<a href="#">Internal components (2 of 4) on page 295</a>
Arm, tag	RC1-3551-000CN	<a href="#">Internal components (2 of 4) on page 295</a>
Bezel, control panel	See <a href="#">Control-panel bezels on page 262</a> .	<a href="#">Scanner components on page 283</a>
Cassette, tray 2 (250-sheet)	RM1-1292-000CN	<a href="#">Cassette, tray 2 (250-sheet) on page 307</a>
Cassette/feeder, tray 3 (250-sheet)	Q7556-67901	<a href="#">Cassette, tray 2 (250-sheet) on page 307</a>
Control panel	Q6500-60104	<a href="#">Scanner components on page 283</a>
Convenience stapler ac inlet cable HP LJ 3392	Q6501-60101	<a href="#">Convenience stapler components (HP LJ 3392 only) on page 287</a>
Convenience stapler cassette (2-pack) HP LJ3392	Q7432-67001	<a href="#">Convenience stapler components (HP LJ 3392 only) on page 287</a>
Convenience stapler cover door HP LJ 3392	RC1-7523-000CN	<a href="#">Convenience stapler components (HP LJ 3392 only) on page 287</a>
Convenience stapler mechanism HP LJ 3392 (replacement)	Q7429-67101	<a href="#">Convenience stapler components (HP LJ 3392 only) on page 287</a>
Convenience stapler power supply bracket and strap HP LJ 3392	Q6500-00006	<a href="#">Convenience stapler components (HP LJ 3392 only) on page 287</a>
Convenience stapler power supply HP LJ 3392	Q7429-60501	<a href="#">Convenience stapler components (HP LJ 3392 only) on page 287</a>

**Table 7-23** Alphabetical parts list (continued)

Description	Part number	Table and page
Cover DIMM	RC1-7510-000CN	<a href="#">External covers and panels on page 291</a>
Cover dummy (stapler plug; HP LJ 3390))	RC1-7512-000CN	<a href="#">External covers and panels on page 291</a>
Cover left	RC1-7509-000CN	<a href="#">External covers and panels on page 291</a>
Cover rear	RC1-3819-000CN	<a href="#">External covers and panels on page 291</a>
Cover right	RC1-7511-000CN	<a href="#">External covers and panels on page 291</a>
Cover top	RC1-7508-000CN	<a href="#">External covers and panels on page 291</a>
Duplexing assembly	RM1-1313-000CN	<a href="#">Duplexing assembly on page 309</a>
Duplexing-drive assembly	RM1-1302-000CN	<a href="#">Duplexing-drive assembly on page 305</a>
Engine-controller PCA (110 to 127 v)	RM1-2566-000CN	<a href="#">Engine-controller assembly on page 301</a>
Engine-controller PCA (220 to 240 v)	RM1-2567-000CN	<a href="#">Engine-controller assembly on page 301</a>
Fan	RK2-0912-000CN	<a href="#">Internal components (2 of 4) on page 295</a>
Flag, paper sensing	RC1-3472-000CN	<a href="#">Internal components (1 of 4) on page 293</a>
Formatter PCA	Q6445-60001	<a href="#">Formatter, LIU, HP jewel, and nameplate on page 289</a>
Front cover assembly	RM1-2643-000CN	<a href="#">External covers and panels on page 291</a>
Fuser (110 to 127 v)	RM1-1289-000CN	<a href="#">Fuser assembly on page 311</a>
Fuser (220 to 240 v)	RM1-1461-000CN	<a href="#">Fuser assembly on page 311</a>
Gear, 19T	RU5-0332-000CN	<a href="#">Internal components (1 of 4) on page 293</a>
Gear, 29T	RM1-1286-000CN	<a href="#">Internal components (1 of 4) on page 293</a>
Guide, cartridge, front	RC1-3844-000CN	<a href="#">Internal components (2 of 4) on page 295</a>
Guide, cartridge, left upper	RC1-3539-000CN	<a href="#">Internal components (2 of 4) on page 295</a>
Guide, dc cable 2	RC1-3731-000CN	<a href="#">Internal components (1 of 4) on page 293</a>
Holder, drawer	RC1-3728-000CN	<a href="#">Internal components (2 of 4) on page 295</a>
Holder, fan	RC1-7514-000CN	<a href="#">Internal components (2 of 4) on page 295</a>

**Table 7-23** Alphabetical parts list (continued)

Description	Part number	Table and page
Holder, tag arm	RC1-35504-000CN	<a href="#">Internal components (2 of 4) on page 295</a>
Input tray assembly LJ3390/3392	Q6500-60119	<a href="#">Scanner and ADF assemblies on page 281</a>
Interlock assembly	RM1-2645-000CN	<a href="#">Internal components (2 of 4) on page 295</a>
Jewel, HP	7121-8043	<a href="#">Formatter, LIU, HP jewel, and nameplate on page 289</a>
Label, clear jam	RC1-7528-000CN	<a href="#">Internal components (3 of 4) on page 297</a>
Label, Fixing (fusing) pressure release	RC1-7529-000CN	<a href="#">Internal components (3 of 4) on page 297</a>
Label, stapler prohibition	RC1-3794-000CN	<a href="#">External covers and panels on page 291</a>
Label, transfer guide open	RC1-3796-000CN	<a href="#">Internal components (3 of 4) on page 297</a>
LIU (line interface unit) EMEA non ROHS	Q3978-60002	<a href="#">Formatter, LIU, HP jewel, and nameplate on page 289</a>
LIU (line interface unit) US/WW non ROHS	Q3977-60001	<a href="#">Formatter, LIU, HP jewel, and nameplate on page 289</a>
LIU/Formatter FFC	Q6500-60111	<a href="#">Formatter, LIU, HP jewel, and nameplate on page 289</a>
Main-drive assembly	RM1-1299-000CN	<a href="#">Main-drive assembly on page 303</a>
Motor, dc (M1)	RK2-0418-000CN	<a href="#">Internal components (4 of 4) on page 299</a>
Nameplate HP LJ 3390	Q6500-4000X	<a href="#">Formatter, LIU, HP jewel, and nameplate on page 289</a>
Nameplate HP LJ 3392	Q6501-4000X	<a href="#">Formatter, LIU, HP jewel, and nameplate on page 289</a>
Normal-rotation drive assembly	RM1-1303-000CN	<a href="#">Duplexing-drive assembly on page 305</a>
Paper-feed guide assembly	RM1-1286-000CN	<a href="#">Internal components (1 of 4) on page 293</a>
Paper-pickup gear assembly	RM1-1301-000CN	<a href="#">Internal components (1 of 4) on page 293</a>
Paper-retaining assembly	RM1-1306-000CN	<a href="#">Internal components (1 of 4) on page 293</a>
Rear cover assembly	RM1-1308-000CN	<a href="#">External covers and panels on page 291</a>
Registration assembly	RM1-1281-000CN	<a href="#">Internal components (3 of 4) on page 297</a>
Reverse-rotation drive assembly	RM1-1304-000CN	<a href="#">Duplexing-drive assembly on page 305</a>

**Table 7-23** Alphabetical parts list (continued)

Description	Part number	Table and page
Roller, face down	RL1-0527-000CN	<a href="#">Internal components (1 of 4) on page 293</a>
Roller, paper pickup	RL1-0540-000CN	<a href="#">Internal components (1 of 4) on page 293</a>
Roller, paper-pickup idler	RC1-3470-000CN	<a href="#">Internal components (1 of 4) on page 293</a>
Roller, transfer	RM1-1471-000CN	<a href="#">Internal components (3 of 4) on page 297</a>
Scanner assembly (laser/scanner)	RM1-1470-000CN	<a href="#">Internal components (2 of 4) on page 295</a>
Screw, RS 3X6	XA9-1495-000CN	<a href="#">Internal components (1 of 4) on page 293</a>
Screw, RS M3X6	XA9-1495-000CN	<a href="#">Internal components (2 of 4) on page 295</a>
Screw, RS M3X6	XA9-1495-000CN	<a href="#">Internal components (3 of 4) on page 297</a>
Screw, RS M3X6	XA9-1495-000CN	<a href="#">Internal components (4 of 4) on page 299</a>
Screw, RS M3X8	XA9-1504-000CN	<a href="#">Internal components (1 of 4) on page 293</a>
Screw, RS M3X8	XA9-1504-000CN	<a href="#">Internal components (2 of 4) on page 295</a>
Screw, RS M3X8	XA9-1504-000CN	<a href="#">Internal components (4 of 4) on page 299</a>
Screw, Tap 3X6	XA9-1503-000CN	<a href="#">Internal components (1 of 4) on page 293</a>
Screw, Tap M3X6	XA9-1503-000CN	<a href="#">Internal components (2 of 4) on page 295</a>
Screw, Tapping truss head M4X10	XB4-5300-805CN	<a href="#">Internal components (1 of 4) on page 293</a>
Screw, Tapping truss head M4X10	XB4-7401-005CN	<a href="#">Internal components (2 of 4) on page 295</a>
Screw, Tapping truss head M4X10	XB4-7401-005CN	<a href="#">Internal components (3 of 4) on page 297</a>
Screw, W/Washer M3X8	XB4-5300-805CN	<a href="#">Internal components (1 of 4) on page 293</a>
Screw, W/Washer M3X8	XA9-1420-000CN	<a href="#">Engine-controller assembly on page 301</a>
Size change assembly	RM1-1318-000CN	<a href="#">Duplexing assembly on page 309</a>
Solenoid	RK2-0910-000CN	<a href="#">Internal components (1 of 4) on page 293</a>
Solenoid (SL1)	RK2-0424-000CN	<a href="#">Internal components (4 of 4) on page 299</a>

**Table 7-23** Alphabetical parts list (continued)

<b>Description</b>	<b>Part number</b>	<b>Table and page</b>
Speaker assembly	RM1-2571-000CN	<a href="#">Internal components (2 of 4) on page 295</a>
Spring, compression	RU5-2323-000CN	<a href="#">Internal components (1 of 4) on page 293</a>
Spring, compression	RU5-2335-000CN	<a href="#">Internal components (2 of 4) on page 295</a>
SSA PKG FGI ASSY (scanner flatbed assembly)	Q3948-67905	<a href="#">Scanner and ADF assemblies on page 281</a>
Top-sensor assembly	RM1-1283-000CN	<a href="#">Internal components (3 of 4) on page 297</a>

# Numerical parts list

**Table 7-24** Numerical parts list

Part number	Description	Table and page
5851-2559	ADF pickup roller assembly	<a href="#">ADF components on page 285</a>
7121-8043	Jewel, HP	<a href="#">Formatter, LIU, HP jewel, and nameplate on page 289</a>
C7309-40153	ADF cleanout part	<a href="#">ADF components on page 285</a>
Q2665-60125	ADF separation pad	<a href="#">ADF components on page 285</a>
Q3948-67902	ADF flag replacement kit	<a href="#">ADF components on page 285</a>
Q3948-67905	ADF hinge replacement kit	<a href="#">Scanner and ADF assemblies on page 281</a>
Q3948-67905	SSA PKG FGI ASSY (scanner flatbed assembly)	<a href="#">Scanner and ADF assemblies on page 281</a>
Q3977-60001	LIU (line interface unit) US/WW non ROHS	<a href="#">Formatter, LIU, HP jewel, and nameplate on page 289</a>
Q3978-60002	LIU (line interface unit) EMEA non ROHS	<a href="#">Formatter, LIU, HP jewel, and nameplate on page 289</a>
Q6445-60001	Formatter PCA	<a href="#">Formatter, LIU, HP jewel, and nameplate on page 289</a>
Q6500-00006	Convenience stapler power supply bracket and strap HP LJ 3392	<a href="#">Convenience stapler components (HP LJ 3392 only) on page 287</a>
Q6500-4000X	Nameplate HP LJ 3390	<a href="#">Formatter, LIU, HP jewel, and nameplate on page 289</a>
Q6500-60111	LIU/Formatter FFC	<a href="#">Formatter, LIU, HP jewel, and nameplate on page 289</a>
Q6500-60119	Input tray assembly LJ3390/3392	<a href="#">Scanner and ADF assemblies on page 281</a>
Q6500-67901	ADF cover replacement kit	<a href="#">ADF components on page 285</a>
Q6500-67903	ADF PKG FGI ASSY (automatic document feeder)	<a href="#">Scanner and ADF assemblies on page 281</a>
Q6500-67904	ADF window replacement kit (HP LJ 3390/3392)	<a href="#">Scanner components on page 283</a>
Q6500-60104	Control panel	<a href="#">Scanner components on page 283</a>
Q6501-4000X	Nameplate HP LJ 3392	<a href="#">Formatter, LIU, HP jewel, and nameplate on page 289</a>
Q6501-60101	Convenience stapler ac inlet cable HP LJ 3392	<a href="#">Convenience stapler components (HP LJ 3392 only) on page 287</a>
Q7429-60501	Convenience stapler power supply HP LJ 3392	<a href="#">Convenience stapler components (HP LJ 3392 only) on page 287</a>

**Table 7-24** Numerical parts list (continued)

Part number	Description	Table and page
Q7429-67101	Convenience stapler mechanism HP LJ 3392 (replacement)	<a href="#">Convenience stapler components (HP LJ 3392 only) on page 287</a>
Q7432-67001	Convenience stapler cassette (2-pack) HP LJ3392	<a href="#">Convenience stapler components (HP LJ 3392 only) on page 287</a>
Q7556-67901	Cassette/feeder, tray 3 (250-sheet)	<a href="#">Cassette, tray 2 (250-sheet) on page 307</a>
RC1-3470-000CN	Roller, paper-pickup idler	<a href="#">Internal components (1 of 4) on page 293</a>
RC1-3472-000CN	Flag, paper sensing	<a href="#">Internal components (1 of 4) on page 293</a>
RC1-3539-000CN	Guide, cartridge, left upper	<a href="#">Internal components (2 of 4) on page 295</a>
RC1-3544-000CN	Arm, cam	<a href="#">Internal components (2 of 4) on page 295</a>
RC1-35504-000CN	Holder, tag arm	<a href="#">Internal components (2 of 4) on page 295</a>
RC1-3551-000CN	Arm, tag	<a href="#">Internal components (2 of 4) on page 295</a>
RC1-3728-000CN	Holder, drawer	<a href="#">Internal components (2 of 4) on page 295</a>
RC1-3731-000CN	Guide, dc cable 2	<a href="#">Internal components (1 of 4) on page 293</a>
RC1-3794-000CN	Label, stapler prohibition	<a href="#">External covers and panels on page 291</a>
RC1-3796-000CN	Label, transfer guide open	<a href="#">Internal components (3 of 4) on page 297</a>
RC1-3819-000CN	Cover rear	<a href="#">External covers and panels on page 291</a>
RC1-3844-000CN	Guide, cartridge, front	<a href="#">Internal components (2 of 4) on page 295</a>
RC1-7508-000CN	Cover top	<a href="#">External covers and panels on page 291</a>
RC1-7509-000CN	Cover left	<a href="#">External covers and panels on page 291</a>
RC1-7510-000CN	Cover DIMM	<a href="#">External covers and panels on page 291</a>
RC1-7511-000CN	Cover right	<a href="#">External covers and panels on page 291</a>
RC1-7512-000CN	Cover dummy (stapler plug; HP LJ 3390))	<a href="#">External covers and panels on page 291</a>
RC1-7514-000CN	Holder, fan	<a href="#">Internal components (2 of 4) on page 295</a>



**Table 7-24** Numerical parts list (continued)

<b>Part number</b>	<b>Description</b>	<b>Table and page</b>
RC1-7523-000CN	Convenience stapler cover door HP LJ 3392	<a href="#">Convenience stapler components (HP LJ 3392 only) on page 287</a>
RC1-7528-000CN	Label, clear jam	<a href="#">Internal components (3 of 4) on page 297</a>
RC1-7529-000CN	Label, Fixing (fusing) pressure release	<a href="#">Internal components (3 of 4) on page 297</a>
RK2-0418-000CN	Motor, dc (M1)	<a href="#">Internal components (4 of 4) on page 299</a>
RK2-0424-000CN	Solenoid (SL1)	<a href="#">Internal components (4 of 4) on page 299</a>
RK2-0910-000CN	Solenoid	<a href="#">Internal components (1 of 4) on page 293</a>
RK2-0912-000CN	Fan	<a href="#">Internal components (2 of 4) on page 295</a>
RL1-0527-000CN	Roller, face down	<a href="#">Internal components (1 of 4) on page 293</a>
RL1-0540-000CN	Roller, paper pickup	<a href="#">Internal components (1 of 4) on page 293</a>
RM1-1281-000CN	Registration assembly	<a href="#">Internal components (3 of 4) on page 297</a>
RM1-1283-000CN	Top-sensor assembly	<a href="#">Internal components (3 of 4) on page 297</a>
RM1-1286-000CN	Paper-feed guide assembly	<a href="#">Internal components (1 of 4) on page 293</a>
RM1-1286-000CN	Gear, 29T	<a href="#">Internal components (1 of 4) on page 293</a>
RM1-1289-000CN	Fuser (110 to 127 v)	<a href="#">Fuser assembly on page 311</a>
RM1-1292-000CN	Cassette, tray 2 (250-sheet)	<a href="#">Cassette, tray 2 (250-sheet) on page 307</a>
RM1-1299-000CN	Main-drive assembly	<a href="#">Main-drive assembly on page 303</a>
RM1-1301-000CN	Paper-pickup gear assembly	<a href="#">Internal components (1 of 4) on page 293</a>
RM1-1302-000CN	Duplexing-drive assembly	<a href="#">Duplexing-drive assembly on page 305</a>
RM1-1303-000CN	Normal-rotation drive assembly	<a href="#">Duplexing-drive assembly on page 305</a>
RM1-1304-000CN	Reverse-rotation drive assembly	<a href="#">Duplexing-drive assembly on page 305</a>
RM1-1306-000CN	Paper-retaining assembly	<a href="#">Internal components (1 of 4) on page 293</a>
RM1-1308-000CN	Rear cover assembly	<a href="#">External covers and panels on page 291</a>

**Table 7-24** Numerical parts list (continued)

Part number	Description	Table and page
RM1-1313-000CN	Duplexing assembly	<a href="#">Duplexing assembly on page 309</a>
RM1-1318-000CN	Size change assembly	<a href="#">Duplexing assembly on page 309</a>
RM1-1461-000CN	Fuser (220 to 240 v)	<a href="#">Fuser assembly on page 311</a>
RM1-1470-000CN	Scanner assembly (laser/scanner)	<a href="#">Internal components (2 of 4) on page 295</a>
RM1-1471-000CN	Roller, transfer	<a href="#">Internal components (3 of 4) on page 297</a>
RM1-2566-000CN	Engine-controller PCA (110 to 127 v)	<a href="#">Engine-controller assembly on page 301</a>
RM1-2567-000CN	Engine-controller PCA (220 to 240 v)	<a href="#">Engine-controller assembly on page 301</a>
RM1-2571-000CN	Speaker assembly	<a href="#">Internal components (2 of 4) on page 295</a>
RM1-2643-000CN	Front cover assembly	<a href="#">External covers and panels on page 291</a>
RM1-2645-000CN	Interlock assembly	<a href="#">Internal components (2 of 4) on page 295</a>
RU5-0332-000CN	Gear, 19T	<a href="#">Internal components (1 of 4) on page 293</a>
RU5-2323-000CN	Spring, compression	<a href="#">Internal components (1 of 4) on page 293</a>
RU5-2335-000CN	Spring, compression	<a href="#">Internal components (2 of 4) on page 295</a>
See <a href="#">Control-panel bezels on page 262</a> .	Bezel, control panel	<a href="#">Scanner components on page 283</a>
XA9-1420-000CN	Screw, W/Washer M3X8	<a href="#">Engine-controller assembly on page 301</a>
XA9-1495-000CN	Screw, RS 3X6	<a href="#">Internal components (1 of 4) on page 293</a>
XA9-1495-000CN	Screw, RS M3X6	<a href="#">Internal components (2 of 4) on page 295</a>
XA9-1495-000CN	Screw, RS M3X6	<a href="#">Internal components (3 of 4) on page 297</a>
XA9-1495-000CN	Screw, RS M3X6	<a href="#">Internal components (4 of 4) on page 299</a>
XA9-1503-000CN	Screw, Tap 3X6	<a href="#">Internal components (1 of 4) on page 293</a>
XA9-1503-000CN	Screw, Tap M3X6	<a href="#">Internal components (2 of 4) on page 295</a>
XA9-1504-000CN	Screw, RS M3X8	<a href="#">Internal components (1 of 4) on page 293</a>

**Table 7-24** Numerical parts list (continued)

<b>Part number</b>	<b>Description</b>	<b>Table and page</b>
XA9-1504-000CN	Screw, RS M3X8	<a href="#">Internal components (2 of 4) on page 295</a>
XA9-1504-000CN	Screw, RS M3X8	<a href="#">Internal components (4 of 4) on page 299</a>
XB4-5300-805CN	Screw, W/Washer M3X8	<a href="#">Internal components (1 of 4) on page 293</a>
XB4-5300-805CN	Screw, Tapping truss head M4X10	<a href="#">Internal components (1 of 4) on page 293</a>
XB4-7401-005CN	Screw, Tapping truss head M4X10	<a href="#">Internal components (2 of 4) on page 295</a>
XB4-7401-005CN	Screw, Tapping truss head M4X10	<a href="#">Internal components (3 of 4) on page 297</a>



# A All-in-one specifications

- [Physical specifications](#)
- [Supplies specifications](#)
- [Performance](#)
- [Electrical specifications](#)
- [Power consumption](#)
- [Environmental specifications](#)
- [Acoustic emissions](#)

# Physical specifications

**Table A-1** Physical specifications

Model	Height	Depth	Width	Weight
HP LaserJet 3390 all-in-one	523 mm (20.6 inches)	518 mm (20.4 inches)	497 mm (19.6 inches)	17.8 kg (39.1 lb)
HP LaserJet 3392 all-in-one with tray 3 (250-sheet)	570 mm (22.4 inches)	518 mm (20.4 inches)	497 mm (19.6 inches)	21.8 kg (46.5 lb)

# Supplies specifications

**Table A-2** Supplies specifications

Item	Description	Part number
Black print cartridge	Average yield for the standard print cartridge is approximately 2,500 pages.	Q5949A
	Average yield for the high-capacity print cartridge is approximately 6,000 pages Actual yield depends on use.	Q5949X
Staple cassette (2 pack)	1,500-staple capacity each	Q7432A

# Performance

Table A-3 Performance

<b>Excellent print quality</b>	<ul style="list-style-type: none"><li>● 1200 dots per inch (dpi) with Image REt 2400 text and graphics</li><li>● Adjustable settings to optimize print quality</li><li>● The HP UltraPrecise print cartridge has a finer toner formulation that provides sharper text and graphics.</li></ul>
<b>Fax</b>	<ul style="list-style-type: none"><li>● Full-functionality fax capabilities with a V.34 fax; includes a phone book, fax polling, and delayed-fax features</li></ul>
<b>Copy</b>	<ul style="list-style-type: none"><li>● Includes ADF that accommodates faster, more efficient copy jobs with multiple-page and two-sided documents.</li></ul>
<b>Scan</b>	<ul style="list-style-type: none"><li>● The all-in-one provides 1200 ppi, 24-bit full-color scanning from letter/A4-size scanner glass.</li><li>● Both models include an ADF that accommodates faster, more efficient scan jobs with multiple-page documents.</li></ul>
<b>Staple</b>	<ul style="list-style-type: none"><li>● The HP LaserJet 3392 all-in-one includes a convenience stapler for fast and convenient stapling of up to 20 sheets of 80 g/m<sup>2</sup> or 20 lb media at the all-in-one.</li><li>● The large-capacity replaceable staple cassette holds 1,500 staples.</li></ul>
<b>Networking</b>	<ul style="list-style-type: none"><li>● TCP/IP</li><li>● LPD</li><li>● 9100</li></ul>
<b>Printer driver features</b>	<ul style="list-style-type: none"><li>● Fast printing performance, built-in Intellifont and TrueType scaling technologies, and advanced imaging capabilities are benefits of the PCL 6 printer language.</li></ul>
<b>Automatic language-switching</b>	<ul style="list-style-type: none"><li>● The all-in-one automatically determines and switches to the appropriate printer language (such as PS or PCL 6) for the print job.</li></ul>
<b>Interface connections</b>	<ul style="list-style-type: none"><li>● Hi-Speed USB 2.0 port</li><li>● 10/100 ethernet (RJ45) network port</li></ul>
<b>Environmental features</b>	<ul style="list-style-type: none"><li>● PowerSave mode</li><li>● ENERGY STAR qualified</li></ul>
<b>Economical printing</b>	<ul style="list-style-type: none"><li>● N-up printing (printing more than one page on a sheet).</li><li>● Two-sided printing and copying using the automatic duplexer</li><li>● The Economode setting uses less toner.</li></ul>

**Table A-3** Performance (continued)

---

<b>Supplies</b>	<ul style="list-style-type: none"><li>● A Supplies Status page with a print cartridge gauge shows the supply levels that remain (HP supplies only).</li><li>● No-shake cartridge design</li><li>● Authentication for HP print cartridges</li><li>● Enabled supplies-ordering capability</li></ul>
<b>Accessibility</b>	<ul style="list-style-type: none"><li>● Online user guide that is compatible with text screen-readers</li><li>● Print cartridges can be installed and removed by using one hand.</li><li>● All doors and covers can be opened by using one hand.</li></ul>

---



# Electrical specifications



**CAUTION** Power requirements are based on the country/region where the all-in-one is sold. Do not convert operating voltages. This will damage the all-in-one and void the warranty.

**Table A-4** Electrical specifications

Item	110-volt models	220-volt models
Power requirements	110 to 127 V (+/- 10%)	220 to 240 V (+/- 10%)
	50 / 60 Hz (+/- 2 Hz)	50 / 60 Hz (+/- 2 Hz)
Rated current (minimum circuit capacity)	4.5 A	2.3 A

# Power consumption

**Table A-5** Power consumption (average, in watts)<sup>1</sup>

Model	Printing <sup>2</sup>	Copying <sup>2</sup>	Ready <sup>2</sup>	PowerSave	Off
HP LaserJet 3390/3392	351 W	339 W	15 W	13 W	0 W

<sup>1</sup> Values subject to change. See [www.hp.com/support/lj3390](http://www.hp.com/support/lj3390) or [www.hp.com/support/lj3392](http://www.hp.com/support/lj3392).

<sup>2</sup> Power reported is highest values measured for monochrome printing/copying using all standard voltages.

# Environmental specifications

**Table A-6** Environmental specifications

	Operating <sup>1</sup>	Storage <sup>1</sup>
Temperature (all-in-one)	15° to 32.5°C (59° to 90.5°F)	-20° to 60°C (-4° to 140°F)
Relative humidity (all-in-one)	10% to 80% (no condensation)	10% to 90% (no condensation)
Temperature (print cartridge)	same as the all-in-one	-20° to 40°C (-4° to 104°F)
Relative humidity (print cartridge)	same as the all-in-one	10% to 90% (no condensation)

<sup>1</sup> Values subject to change. See [www.hp.com/support/lj3390](http://www.hp.com/support/lj3390) or [www.hp.com/support/lj3392](http://www.hp.com/support/lj3392).

# Acoustic emissions

**Table A-7** Acoustic emissions<sup>1</sup>

Sound Power Level	Declared per ISO 9296 <sup>2</sup>
Printing (20 ppm) <sup>3</sup>	L <sub>WAd</sub> = 6.3 Bels (A) [63 dB (A)]
Ready	L <sub>WAd</sub> = 5.6 Bels (A) [56 dB (A)]
Sound Pressure Level - Bystander Position	Declared per ISO 9296 <sup>2</sup>
Printing (20 ppm) <sup>3</sup>	L <sub>pAm</sub> = 49 dB(A)
Ready	Essentially inaudible

<sup>1</sup> Configuration tested: HP LaserJet 3390/3392 all-in-one

<sup>2</sup> Acoustic values are subject to change. See [www.hp.com/support/lj3390](http://www.hp.com/support/lj3390) and [www.hp.com/support/lj3392](http://www.hp.com/support/lj3392) for current information.

<sup>3</sup> HP LaserJet 3390/3392 all-in-one speed is 22 ppm letter-size and 21 ppm A4-size.

## **B Warranty information**

# Hewlett-Packard limited warranty statement

HP PRODUCT

HP LaserJet 3390/3392

DURATION OF LIMITED WARRANTY

One year limited warranty

HP warrants to you, the end-user customer, that HP hardware and accessories will be free from defects in materials and workmanship after the date of purchase, for the period specified above. If HP receives notice of such defects during the warranty period, HP will, at its option, either repair or replace products which prove to be defective. Replacement products may be either new or equivalent in performance to new.

HP warrants to you that HP software will not fail to execute its programming instructions after the date of purchase, for the period specified above, due to defects in material and workmanship when properly installed and used. If HP receives notice of such defects during the warranty period, HP will replace software which does not execute its programming instructions due to such defects.

HP does not warrant that the operation of HP products will be uninterrupted or error free. If HP is unable, within a reasonable time, to repair or replace any product to a condition as warranted, you will be entitled to a refund of the purchase price upon prompt return of the product.

HP products may contain remanufactured parts equivalent to new in performance or may have been subject to incidental use.

Warranty does not apply to defects resulting from (a) improper or inadequate maintenance or calibration, (b) software, interfacing, parts or supplies not supplied by HP, (c) unauthorized modification or misuse, (d) operation outside of the published environmental specifications for the product, or (e) improper site preparation or maintenance.

TO THE EXTENT ALLOWED BY LOCAL LAW, THE ABOVE WARRANTIES ARE EXCLUSIVE AND NO OTHER WARRANTY OR CONDITION, WHETHER WRITTEN OR ORAL, IS EXPRESSED OR IMPLIED AND HP SPECIFICALLY DISCLAIMS ANY IMPLIED WARRANTIES OR CONDITIONS OF MERCHANTABILITY, SATISFACTORY QUALITY, AND FITNESS FOR A PARTICULAR PURPOSE. Some countries/regions, states or provinces do not allow limitations on the duration of an implied warranty, so the above limitation or exclusion might not apply to you. This warranty gives you specific legal rights and you might also have other rights that vary from country/region to country/region, state to state, or province to province. HP's limited warranty is valid in any country/region or locality where HP has a support presence for this product and where HP has marketed this product. The level of warranty service you receive may vary according to local standards. HP will not alter form, fit or function of the product to make it operate in a country/region for which it was never intended to function for legal or regulatory reasons.

TO THE EXTENT ALLOWED BY LOCAL LAW, THE REMEDIES IN THIS WARRANTY STATEMENT ARE YOUR SOLE AND EXCLUSIVE REMEDIES. EXCEPT AS INDICATED ABOVE, IN NO EVENT WILL HP OR ITS SUPPLIERS BE LIABLE FOR LOSS OF DATA OR FOR DIRECT, SPECIAL, INCIDENTAL, CONSEQUENTIAL (INCLUDING LOST PROFIT OR DATA), OR OTHER DAMAGE, WHETHER BASED IN CONTRACT, TORT, OR OTHERWISE. Some countries/regions, states or provinces do not allow the exclusion or limitation of incidental or consequential damages, so the above limitation or exclusion may not apply to you.

THE WARRANTY TERMS CONTAINED IN THIS STATEMENT, EXCEPT TO THE EXTENT LAWFULLY PERMITTED, DO NOT EXCLUDE, RESTRICT OR MODIFY AND ARE IN ADDITION TO THE MANDATORY STATUTORY RIGHTS APPLICABLE TO THE SALE OF THIS PRODUCT TO YOU.

## Print Cartridge Limited Warranty Statement

This HP product is warranted to be free from defects in materials and workmanship.

This warranty does not apply to products that (a) have been refilled, refurbished, remanufactured, or tampered with in any way, (b) experience problems resulting from misuse, improper storage, or operation outside of the published environmental specifications for the printer product, or (c) exhibit wear from ordinary use.

To obtain warranty service, please return the product to place of purchase (with a written description of the problem and print samples) or contact HP customer support. At HP's option, HP will either replace products that prove to be defective or refund your purchase price.

TO THE EXTENT ALLOWED BY LOCAL LAW, THE ABOVE WARRANTY IS EXCLUSIVE AND NO OTHER WARRANTY OR CONDITION, WHETHER WRITTEN OR ORAL, IS EXPRESSED OR IMPLIED AND HP SPECIFICALLY DISCLAIMS ANY IMPLIED WARRANTIES OR CONDITIONS OF MERCHANTABILITY, SATISFACTORY QUALITY, AND FITNESS FOR A PARTICULAR PURPOSE.

TO THE EXTENT ALLOWED BY LOCAL LAW, IN NO EVENT WILL HP OR ITS SUPPLIERS BE LIABLE FOR DIRECT, SPECIAL, INCIDENTAL, CONSEQUENTIAL (INCLUDING LOST PROFIT OR DATA), OR OTHER DAMAGE, WHETHER BASED IN CONTRACT, TORT, OR OTHERWISE.

THE WARRANTY TERMS CONTAINED IN THIS STATEMENT, EXCEPT TO THE EXTENT LAWFULLY PERMITTED, DO NOT EXCLUDE, RESTRICT OR MODIFY AND ARE IN ADDITION TO THE MANDATORY STATUTORY RIGHTS APPLICABLE TO THE SALE OF THIS PRODUCT TO YOU.

## Extended warranty

HP Care Pack provides coverage for the HP product and all HP-supplied internal components. The hardware maintenance covers a one to three-year period from the date of the HP product purchase. The customer may purchase an HP Care Pack up to one year from the date of purchase of the HP product. For more information, contact the HP Customer Care Service and Support group.

HP Care Pack options might be available after the standard warranty period has expired. Go to <http://www.hpexpress-services.com/10467a/> and enter the product number to identify the HP Care Pack options that are available for your product.

# C Regulatory statements

- [Declaration of conformity \(HP LaserJet 3390, 3392, 3055, and 3050\)](#)
- [Country/region-specific safety statements](#)

# Declaration of conformity (HP LaserJet 3390, 3392, 3055, and 3050)

## Declaration of Conformity

according to ISO/IEC Guide 22 and EN 45014

**Manufacturer's Name:** Hewlett-Packard Company  
**Manufacturer's Address:** 11311 Chinden Boulevard,  
Boise, Idaho 83714-1021, USA

**declares, that the product**

**Product Names:** HP LaserJet 3390, 3392, 3055, and 3050  
**Regulatory Model Number<sup>3)</sup>** BOISB-0402-03, BOISB-0405-03, and BOISB-0405-04  
**Toner Cartridges<sup>5)</sup>** Q5949A, Q5949X, and Q2612A  
**Product Options:** ALL

**conforms to the following Product Specifications:**

**Safety:** IEC 60950-1:2001 / EN60950-1: 2001 \ A11  
IEC 60825-1:1993 + A1 +A2  
EN 60825-1:1994 + A1 + A2 (Class 1 Laser/LED Product)  
GB4943-2001

**EMC:** CISPR 22:1993+A1+A2 / EN 55022:1994+A1+A2 - Class B<sup>1)</sup>  
EN 61000-3-2:2000  
EN 61000-3-3:1995+A1  
EN 55024:1998+A1+A2  
FCC Title 47 CFR, Part 15 Class B<sup>2)</sup> / ICES-003, Issue 4  
GB9254-1998, GB17625.1-1998

**TELECOM** TBR-21:1998; EG 201 121:1998; FCC Title 47 CFR, Part 68<sup>4)</sup>

### Supplementary Information:

The product herewith complies with the requirements of the EMC Directive 89/336/EEC, the Low Voltage Directive 73/23/EEC, the R&TTE Directive 1999/5/EC (Annex II), and carries the CE-Marking accordingly.

- 1) The product was tested in a typical configuration with Hewlett-Packard Personal Computer Systems.
- 2) This Device complies with Part 15 of the FCC Rules. Operation is subject to the following two Conditions: (1) this device may not cause harmful interference, and (2) this device must accept any interference received, including interference that may cause undesired operation.
- 3) For regulatory purposes, this product is assigned a Regulatory model number. This number should not be confused with the marketing name or the product number(s).
- 4) Telecom approvals and standards appropriate for the target countries/regions have been applied to this product, in addition to those listed above.
- 5) LaserJet 3050 and 3055 cartridge: Q2612A. LaserJet 3390 and 3392 cartridge: Q5949A yields (2500 standard page capacity), or Q5949X (6000 standard page capacity) (declared capacity yield value according to ISO/IEC 19752.)

Boise, Idaho , USA

**August 1, 2005**

### For regulatory topics only:

**Australia Contact:** Product Regulations Manager, Hewlett-Packard Australia Ltd., 31-41 Joseph Street, Blackburn, Victoria 3130, Australia

**European Contact:** Your Local Hewlett-Packard Sales and Service Office or Hewlett-Packard GmbH, Department HQ-TRE / Standards Europe, Herrenberger Strasse 140, , D-71034, Böblingen, (FAX: +49-7031-14-3143)

**USA Contact:** Product Regulations Manager, Hewlett-Packard Company, PO Box 15, Mail Stop 160, Boise, Idaho 83707-0015, , (Phone: 208-396-6000)



# Country/region-specific safety statements

## Laser safety statement

The Center for Devices and Radiological Health (CDRH) of the U.S. Food and Drug Administration has implemented regulations for laser products manufactured since August 1, 1976. Compliance is mandatory for products marketed in the United States. The printer is certified as a "Class 1" laser product under the U.S. Department of Health and Human Services (DHHS) Radiation Performance Standard according to the Radiation Control for Health and Safety Act of 1968.

Since radiation emitted inside the printer is completely confined within protective housings and external covers, the laser beam cannot escape during any phase of normal user operation.



**WARNING!** Using controls, making adjustments, or performing procedures other than those specified in this user guide may result in exposure to hazardous radiation.

## Canadian DOC statement

Complies with Canadian EMC Class B requirements.

«Conforme à la classe B des normes canadiennes de compatibilité électromagnétiques (CEM).»

## Korean EMI statement

사용시 안내문 (A급 기기)

이 기기는 업무용으로 진지피장해검정을 받은 기기이오니, 만약 잘못된 구입하셨을 때에는 구입한 곳에서 비입무용으로 교환하시기 바랍니다.

## **Finnish laser statement**

### **LASERTURVALLISUUS**

#### **LUOKAN 1 LASERLAITE**

#### **KLASS 1 LASER APPARAT**

HP LaserJet 3390/3392-laserkirjoitin on käyttäjän kannalta turvallinen luokan 1 laserlaite. Normaalisissa käytössä kirjoittimen suojakotelointi estää lasersäteen pääsyn laitteen ulkopuolelle.

Laitteen turvallisuusluokka on määritetty standardin EN60825-1 (1994) mukaisesti.

#### **VAROITUS!**

Laitteen käyttäminen muulla kuin käyttöohjeessa mainitulla tavalla saattaa altistaa käyttäjän turvallisuusluokan 1 ylittävälle näkymättömälle lasersäteilylle.

#### **VARNING!**

Om apparaten används på annat sätt än i bruksanvisning specificerats, kan användaren utsättas för osynlig laserstrålning, som överskrider gränsen för laserklass 1.

#### **HUOLTO**

HP LaserJet 3390/3392 -kirjoittimen sisällä ei ole käyttäjän huollettavissa olevia kohteita. Laitteen saa avata ja huoltaa ainoastaan sen huoltamiseen koulutettu henkilö. Tällaiseksi huoltotoimenpiteeksi ei katsota väriainekasetin vaihtamista, paperiradan puhdistusta tai muita käyttäjän käsikirjassa lueteltuja, käyttäjän tehtäväksi tarkoitettuja ylläpitotoimia, jotka voidaan suorittaa ilman erikoistyökaluja.

#### **VARO!**

Mikäli kirjoittimen suojakotelo avataan, olet alttiina näkymättömälle lasersäteilylle laitteen ollessa toiminnassa. Älä katso säteeseen.

#### **VARNING!**

Om laserprinterns skyddshölje öppnas då apparaten är i funktion, utsättas användaren för osynlig laserstrålning. Betrakta ej strålen.

Tiedot laitteessa käytettävän laserdiodin säteilyominaisuuksista:

Aallonpituus 770-800 nm

Teho 5 mW

Luokan 3B laser

## **Japan power cord statement**

製品には、同梱された電源コードをお使い下さい。  
同梱された電源コードは、他の製品では使用出来ません。

# Index

## Symbols/Numerics

250-sheet tray. *See* tray 2 or tray 3

600 dpi print-quality setting 215

## A

accessibility features 6, 326

accessories, part numbers 260

acoustic emissions 328

activity log, fax

printing 252

troubleshooting 239

ADF

assembly, removing 127

cleaning pickup-roller assembly  
60

diagrams 275

installing input tray 25

jam detection 87

jams 199

loading originals 28

locating 7

operations 85

page sizes supported 236

part numbers 261, 280

pickup-roller assembly,

replacing 124

troubleshooting 242

after service checklist 110

alert messages, control panel  
207

Alerts tab, HP ToolboxFX 69

answering machines,  
troubleshooting 238

Apple Macintosh. *See* Macintosh

archive print setting 249, 255

## B

background, gray 218

bands, troubleshooting 218

battery specifications 38

bezels, control panel

part numbers 262

removing 131

billing code report, fax 253

billing filters, fax 104

bins

jams 191

locating 7, 8

blank copies, troubleshooting

231

blank pages, troubleshooting 224

blank scans, troubleshooting 227

block diagram, sequence of  
operations 82

box, unpacking contents 24

buttons, control panel 9

## C

cables

part numbers 260

stapler, removing 138

USB and network not included  
24

USB, troubleshooting 224

call report, fax

printing 252

troubleshooting 239

Canadian DOC statement 335

capacity, trays 3

cartridge door

locating 7

removing 118

cartridges

alerts 69

drum rotation test 244

high-voltage contacts 247

HP fraud hotline 52

jams near, clearing 183

non-HP 52

pages per 3

part numbers 260, 324

recycling 37

removing 113

replacing 39

status page, printing 251

warranty 331

characters, troubleshooting 219

checklists

after service 110

preservice 109

troubleshooting 178

checks

drum rotation 244

engine 245

half-self-test 246

heating element 247

high-voltage power supply  
247

circuit diagram 276

classes, HP Technical Training  
265

cleaning

ADF pickup-roller assembly  
60

exterior of all-in-one 53

flatbed scanner glass 53

high-voltage connection points  
248

high-voltage contacts 247

print path 63

scanner-cover backing 55

tray 2 pickup roller 56

cleaning page, printing 254

CO operations 99, 104

CODEC circuitry 101

component diagrams

major 274

Configuration page 251

Configuration page, printing 65

configurations 3

- connectors
    - formatter 268
    - LIU 269
  - control panel
    - bezel part numbers 262
    - bezel, removing 131
    - buttons 9
    - critical-error messages 212
    - faceplate, installing 27
    - HP ToolboxFX settings 76
    - locating 7
    - messages 207
    - removing 131
    - secondary service menu 249
    - Service menu 254
    - troubleshooting display 240
  - convenience stapler. See stapler
  - copy-quality test 110
  - copying
    - media, troubleshooting 229
    - quality, troubleshooting 228
    - size, troubleshooting 231
    - troubleshooting 231
  - covers
    - left, removing 116
    - part numbers 290
    - print-cartridge door, removing 118
    - rear, removing 120
    - right, removing 114
    - top, removing 122
  - creases, troubleshooting 220
  - critical-error messages 212
  - crooked pages 220, 223
  - curled media 220, 249
  - current control, fax line 104
  - Customer Care Online 264
- D**
- dark copies 229
  - dc controller 90
  - declaration of conformity 334
  - defaults, restoring 250, 254
  - defects, repetitive 266
  - Demo page, printing 65, 251
  - Device information page, HP ToolboxFX 74
  - device polling 76
  - dialing
    - pulse 104
  - troubleshooting 236
  - digital subscriber line (DSL), troubleshooting 241
  - dimensions, all-in-one 324
  - DIMM door, locating 8
  - DIMMs
    - installing 32
    - part numbers 260
  - Director, Macintosh 14
  - display, troubleshooting control panel 240
  - distinctive ring, setting up 100
  - documentation 2, 263
  - dots per inch (dpi)
    - print settings 215
    - specifications 325
  - dots, troubleshooting 217
  - dpi (dots per inch)
    - print settings 215
    - specifications 325
  - drivers
    - HP ToolboxFX settings 77
    - included 3
    - Linux and UNIX 11
    - specifications 325
    - supported 11
  - drum rotation test 244
  - DSL, troubleshooting 241
  - DSP circuitry 101
  - duplex assembly, removing 146
  - duplex path jams 194
  - duplex solenoid, removing 155
  - duplex-drive gears, removing 154
  - duplexing assembly, part numbers 308
  - duplexing-drive assembly, part numbers 304
- E**
- e-mail alerts 69
  - ECU, removing 164
  - electrical specifications 327
  - electrostatic discharge (ESD) 108
  - embedded Web server (EWS)
    - browsers supported 13
    - features 79
  - Energy Star compliance 325
  - engine control system 90
  - engine test 245
  - engine-controller assembly, part numbers 300
  - environmental specifications 22, 328
  - error messages, control panel 207
  - ESD (electrostatic discharge) 108
  - Event log 69
  - extended warranty 332
- F**
- faceplate, installing control panel 27
  - factory-set defaults, restoring 250, 254
  - faded print 217
  - fan, removing 152
  - fax
    - activity log 252
    - billing (metering) tone filters 104
    - billing code report, printing 253
    - cables, part numbers 260
    - call report, printing 252
    - data path 103
    - distinctive ring 100
    - downstream current detection 103
    - error messages 208
    - factory-set defaults, restoring 254
    - flash memory storage 105
    - hook state 103
    - hook switch control 104
    - jams, troubleshooting 238
    - line current control 104
    - operations 99
    - page storage 105
    - phone book 70
    - phone book, printing 252
    - port, locating 9
    - receive log 73
    - reports, troubleshooting 239
    - ring detect 104
    - safety isolation 102
    - safety protection circuitry 102
    - send log 73
    - T.30 protocol trace report 255

- troubleshooting receiving 234
- troubleshooting sending 236
- Fax tab, HP ToolboxFX 70
- fax-quality test 111
- features 3, 325
- feed system, ADF 85
- feeding problems, troubleshooting 223
- Finnish laser statemnet 336
- firmware recovery 256
- firmware updates 256
- flash memory, fax 105
- flatbed scanner
  - cleaning glass 53
  - loading originals 28
- form sensor, ADF 87
- formatter
  - connectors 268
  - fax subsystem 101
  - part numbers 288
  - removing 143
- fraud hotline 52
- fuser assembly, part number 310
- fuser, removing 152, 157

## G

- Getting Started Guide 2, 263
- glass, cleaning 53
- gray background, troubleshooting 218
- guides, documentation 2

## H

- half-self-test functional check 246
- heating element check 247
- Help (Documentation) tab, HP ToolboxFX 73
- high-voltage PCA 90
- high-voltage power supply, checking 247
- hook state 103
- hook switch control 104
- HP Customer Care Online 264
- HP Director, Macintosh 14
- HP fraud hotline 52
- HP jewel, part number 288
- HP Technical Training 265
- HP ToolboxFX
  - Alerts tab 69
  - Device information page 74

- Device Polling 76
- driver settings 77
- Event log 69
- factory-set defaults, restoring 254
- Fax tab 70
- features 68
- Help (Documentation) tab 73
- Network Settings tab 77
- Paper handling page 75
- Paper Types settings 75
- Print Quality settings 75
- Print Settings tab 76
- Printing tab 76
- Service tab 76
- Status tab 68
- system requirements 68
- System Settings tab 74
- System setup 76
- Troubleshooting tab 253
- viewing 68
- humidity specifications 22, 328

## I

- identification label 10
- image quality
  - archive print setting 249, 255
  - cleaning page, printing 254
  - copy, troubleshooting 228
  - HP ToolboxFX settings 75
  - print, troubleshooting 215, 217
  - repetitive image defects 266
  - scans, troubleshooting 225, 227
- image-formation system
  - operations 95
  - testing 246
- information pages
  - Configuration 65, 251
  - Demo 65, 251
  - network configuration 67
  - Supplies Status 251
  - supplies status 66
  - T.30 protocol trace report 255
  - Usage 65
- ink cartridges. *See* print cartridges
- input trays. *See* trays
- installing
  - ADF input tray 25

- control-panel faceplate 27
- DIMMs 32
- tray 3 26
- interface ports
  - cables, ordering 260
  - included 5
  - locating 9, 267
  - types included 325
- interlock assembly, removing 163
- internal components 88
- internal components, part numbers 292

## J

- jams
  - ADF 199
  - ADF detection operations 87
  - alerts 69
  - causes of 181
  - detection operations 93
  - duplex path 194
  - fax 238
  - locating 182
  - output bins 191
  - preventing 182
  - print-cartridge area 183
  - stapler 204
  - straight-through output path 192
  - trays 186
- Japan power cord statement 336
- jewel, part number 288

## K

- keys, control panel 9
- Korea EMI statement 335

## L

- languages, documentation 263
- laser safety statements 335
- laser/scanner
  - locating 88
  - operations 92
  - removing 148
- left cover, removing 116
- life expectancies, supplies 36
- light copies 229
- light print, troubleshooting 217
- line current control, fax 104
- lines, troubleshooting
  - copies 228

- printed pages 218
- scans 227
- LIU
  - connectors 269
  - data path operations 103
  - hook switch control 104
  - part numbers 288
  - regional versions 102
  - ring detect 104
  - safety isolation 102
  - safety-protection circuitry 102
- loading
  - originals on flatbed scanner or ADF 28
  - tray 1 30
  - tray 2 30
  - tray 3 30
- localized user guides 263
- logs, fax
  - activity 252
  - billing codes 253
  - call (last fax sent or received) 252
  - phone book 252
  - troubleshooting 239
- long-document jams, ADF 87
- loose toner, troubleshooting 219
- M**
- Macintosh
  - drivers supported 11
  - software components 14
  - system requirements 23
  - uninstalling software 16
- Macintosh Configure Device 14, 78
- main gear assembly, removing 173
- main motor, removing 169
- main-drive assembly, part numbers 302
- major component diagrams 274
- manuals 2, 263
- media
  - ADF feeding operations 85
  - ADF, sizes supported 236
  - capacity 3
  - curled, troubleshooting 220, 249
  - feeding operations 93
- HP ToolboxFX settings 75
- loading tray 1 30
- loading tray 2 30
- loading tray 3 30
- tray 1 specifications 17
- tray 2 or 3 specifications 17
- troubleshooting 222
- types to avoid 18
- wrinkled 220
- media jams. *See* jams
- memory
  - base 3
  - DIMM door, locating 8
  - error messages 210
  - flash, fax 105
  - installing DIMMs 32
  - NVRAM initialization 249
  - part numbers 260
- memory-tag-reader assembly, removing 150
- menus
  - secondary service 249
  - Service 254
- mercury specifications 38
- messages, control panel 207
- Microsoft Windows. *See* Windows
- model number, locating 10
- models, features 3
- moisture on the trailing edge, troubleshooting 221
- motor, removing main 169
- multipurpose tray. *See* tray 2
- N**
- nameplate, part numbers 288
- network
  - configuration page, printing 67
  - device polling 76
  - DSL, troubleshooting 241
  - port, locating 9
- Network Settings tab, HP ToolboxFX 77
- noise specifications 328
- non-HP print cartridges 52
- O**
- off-hook 104
- on-hook 104
- on/off switch, locating 7
- Online Customer Care, HP 264
- operating environment, specifications 22, 328
- operations
  - ADF 85
  - engine control system 90
  - fax 99
  - image-formation system 95
  - internal components 88
  - laser/scanner system 92
  - optical system 84
  - pickup/feed/delivery system 93
  - sequence of 82
- optical system operations 84
- options. *See* settings
- ordering supplies 36
- ordering supplies and accessories 259, 260
- output bins
  - jams 191
  - locating 7, 8
- output quality
  - archive print setting 249, 255
  - cleaning page, printing 254
  - copy, troubleshooting 228
  - HP ToolboxFX settings 75
  - print, troubleshooting 215, 217
  - repetitive image defects 266
  - scans, troubleshooting 225, 227
- P**
- PABX lines, troubleshooting 241
- pages
  - blank 224
  - not printing 224
  - skewed 220, 223
- pages per minute 3
- paper
  - ADF feeding operations 85
  - ADF, sizes supported 236
  - capacity 3
  - curled, troubleshooting 220, 249
  - feeding operations 93
  - HP ToolboxFX settings 75
  - loading tray 1 30
  - loading tray 2 30

- loading tray 3 30
  - tray 1 specifications 17
  - tray 2 or 3 specifications 17
  - troubleshooting 222
  - types to avoid 18
  - wrinkled 220
  - Paper handling page, HP ToolboxFX 75
  - paper jams. *See* jams
  - paper path
    - ADF feeding operations 86
    - cleaning 63
  - paper path, cleaning 254
  - paper-present sensor, ADF 87
  - part numbers
    - ADF 280
    - cables 260
    - control-panel bezels 262
    - covers 290
    - duplexing assembly 308
    - duplexing-drive assembly 304
    - engine-controller assembly 300
    - formatter 288
    - fuser assembly 310
    - internal components 292
    - jewel 288
    - LIU 288
    - main-drive assembly 302
    - memory 260
    - nameplate 288
    - scanner 280
    - screws 278
    - stapler 286
    - supplies 260
    - trays 261, 306
    - user guides 263
  - PCAs, diagrams 273
  - PDEs, Macintosh 15
  - phone book, fax
    - HP ToolboxFX tab 70
    - printing 252
  - phone numbers
    - HP fraud hotline 52
    - HP Printing Supplies Returns and Recycling Program 38
  - photosensitive drum rotation test 244
  - physical specifications 324
  - pickup and feed system
    - ADF 85
  - pickup rollers
    - cleaning ADF 60
    - cleaning tray 2 56
    - diagrams 272
    - part numbers 260
    - replacing ADF 124
    - replacing tray 2 44
  - pickup solenoid, removing from tray 2 173
  - pickup/feed/delivery system 93
  - pliers, required 109
  - polling, device 76
  - ports
    - cables, ordering 260
    - included 5
    - locating 9, 267
    - types included 325
  - post-service tests 110
  - PostScript driver, HP ToolboxFX settings 77
  - power
    - high-voltage PCA 90
    - requirements 327
    - sequence of operations 83
    - testing high-voltage 247
  - power connector, locating 8
  - power cords, part numbers 260
  - power supplies
    - fax line current control 104
    - stapler, removing 136
  - power switch, locating 7
  - power-switch PCA, removing 142
  - PowerSave settings 250
  - preservice checklist 109
  - print cartridges
    - alerts 69
    - drum rotation test 244
    - high-voltage contacts 247
    - HP fraud hotline 52
    - jams near, clearing 183
    - non-HP 52
    - pages per 3
    - part numbers 260, 324
    - recycling 37
    - removing 113
    - replacing 39
    - status page, printing 251
    - warranty 331
  - print drivers
    - HP ToolboxFX settings 77
  - print media. *See* media
  - print path, cleaning 63
  - print quality
    - archive print setting 249, 255
    - cleaning page, printing 254
    - HP ToolboxFX settings 75
    - repetitive image defects 266
    - settings 215
    - troubleshooting 215, 217
  - Print Settings tab, HP ToolboxFX 76
  - print-cartridge door
    - locating 7
    - removing 118
  - print-quality test 110
  - printer drivers
    - included 3
    - Linux and UNIX 11
    - specifications 325
    - supported 11
  - Printing tab, HP ToolboxFX 76
  - priority input slot. *See* tray 1
  - problem solving. *See* troubleshooting
  - PSTN operations 99
  - pulse dialing 104
- Q**
- quality
    - archive print setting 249, 255
    - cleaning page, printing 254
    - copy, troubleshooting 228
    - HP ToolboxFX settings 75
    - print settings 215
    - print, troubleshooting 215, 217
    - repetitive image defects 266
    - scans, troubleshooting 225, 227
- R**
- rear cover, removing 120
  - rear output bin
    - jams 192
    - locating 8
  - receiving faxes
    - activity log, printing 252
    - call report, printing 252
    - distinctive ring 100



- log, HP ToolboxFX 73
- T.30 protocol trace report 255
- troubleshooting 234
- recovering firmware 256
- recycling supplies 37
- refilled print cartridges 52
- registration-roller assembly, removing 172
- regulatory statements 333
- removing parts
  - ADF assembly 127
  - cautions for 108
  - checklists 109
  - control panel and bezel 131
  - duplex assembly 146
  - duplex solenoid 155
  - duplex-drive gears 154
  - ECU 164
  - fan 152
  - formatter 143
  - fuser 152, 157
  - interlock assembly 163
  - laser/scanner 148
  - left cover 116
  - main gear assembly 173
  - main motor 169
  - memory-tag-reader assembly 150
  - order of 112
  - power-switch PCA 142
  - print cartridges 113
  - print-cartridge door 118
  - rear cover 120
  - registration-roller assembly 172
  - right cover 114
  - scanner assembly 129
  - speaker 140
  - stapler ac inlet cable 138
  - stapler assembly 134
  - stapler power supply 136
  - stapler power supply bracket and strap 139
  - tools, required 109
  - top cover 122
  - transfer roller 171
- repair. *See* service
- repetitive defects, troubleshooting 221, 266
- replacing
  - ADF pickup roller 124
  - DIMMs 32
  - parts 108
  - print cartridge 39
  - separation pads 49
  - staple cassette 42
  - supplies, life expectancies 36
  - tray 2 pickup roller 44
- reports, all-in-one
  - Configuration page 65, 251
  - Demo page 65, 251
  - Supplies Status page 66, 251
  - T.30 protocol trace 255
  - Usage page 65
- reports, fax
  - activity log 252
  - billing codes 253
  - call (last fax sent or received) 252
  - phone book 252
  - troubleshooting 239
- resolution
  - print settings 215
  - specifications 325
- restoring factory-set defaults 250, 254
- right cover, removing 114
- ring detect 104
- RING operations 99, 103, 104
- rollers
  - cleaning ADF pickup 60
  - cleaning tray 2 pickup 56
  - diagrams 272
  - locating 88
  - part numbers 260
  - removing registration 172
  - removing transfer 171
  - repetitive image defects 266
  - replacing ADF pickup 124
  - replacing tray 2 pickup 44
- S**
- scanner
  - assembly, removing 129
  - cleaning glass 53
  - diagrams 275
  - loading originals 28
  - operations 84
  - part numbers 261, 280
  - scanner-cover backing, cleaning 55
  - scanning
    - blank pages, troubleshooting 227
    - quality, troubleshooting 225, 227
    - speed, troubleshooting 226
  - scatter, troubleshooting 221
  - schedules, HP Technical Training 265
  - screwdrivers, required 109
  - screws
    - replacing 108
    - types of 278
  - secondary service menu 249
  - security; computer and network 99
  - sending faxes
    - activity log, printing 252
    - call report, printing 252
    - log, HP ToolboxFX 73
    - T.30 protocol trace report 255
    - troubleshooting 236
  - sensors
    - ADF 86
    - locating 271
    - media detection 93
  - separation pads
    - diagrams 272
    - part numbers 260
    - replacing 49
  - sequence of operations 82
  - serial number, locating 10
  - service
    - HP ToolboxFX settings 76
    - part numbers 260
    - secondary menu 249
    - tools, required 109
  - Service menu 254
  - settings
    - Configuration page 251
    - factory-set defaults, restoring 250, 254
    - NVRAM initialization 249
  - SHUNT function 104
  - size, all-in-one 324
  - skewed pages 220, 223
  - slow speed, troubleshooting
    - faxing 239



- scanning 226
- smear toner, troubleshooting 218
- software
  - drivers supported 11
  - HP ToolboxFX 68
  - Linux and UNIX 11
  - Macintosh 14
  - Macintosh Configure Device 78
  - system requirements 23
  - uninstalling 16
  - Windows 13
- software; installation
  - installation; software 12
- solenoids 270
- speaker, removing 140
- specifications
  - acoustic emissions 328
  - electrical 327
  - environmental 328
  - features 3, 325
  - physical 324
- specks, troubleshooting 217
- speed
  - fax, troubleshooting 239
  - pages per minute 3
  - scanning, troubleshooting 226
- spots, troubleshooting 217
- stall jams, ADF 87
- staple cassette
  - life expectancy 36
  - part number 260
  - replacing 42
- stapler
  - ac inlet cable, removing 138
  - assembly, removing 134
  - features 5
  - jams 204
  - locating 7
  - part numbers 286
  - power supply bracket and strap, removing 139
  - power supply, removing 136
  - specifications 325
  - troubleshooting 240
- static precautions 108
- status
  - alerts 69
- Supplies Status page, printing 66, 251
- Status tab, HP ToolboxFX 68
- stored fax pages 105
- storing
  - all-in-one 328
  - fax pages in flash memory 105
  - supplies 37
- streaks, troubleshooting 218
- supplies
  - alerts 69
  - HP fraud hotline 52
  - life expectancies 36
  - non-HP 52
  - ordering 36, 259
  - recycling 37
  - status page 66, 251
  - storing 37
- support, technical 264
- switches 271
- system requirements 23
- System Settings tab, HP ToolboxFX 74
- System setup, HP ToolboxFX 76

**T**

- T.30 protocol trace report 255
- technical support 264
- Technical Training 265
- telephone numbers
  - HP fraud hotline 52
  - HP Printing Supplies Returns and Recycling Program 38
- temperature specifications 22, 328
- tests
  - copy-quality 110
  - drum rotation 244
  - engine 245
  - fax-quality 111
  - half-self functional check 246
  - heating element 247
  - high-voltage power supply 247
  - post-service 110
  - print-quality 110
- text, troubleshooting 219
- TIP operations 99, 103, 104
- toner
  - cleaning page, printing 254
  - loose, troubleshooting 219
  - scatter, troubleshooting 221
  - smear toner, troubleshooting 218
  - specks, troubleshooting 217
- toner cartridges. See print cartridges
- tools, required 109
- top cover, removing 122
- top output bin, locating 7
- trailing edge detection, ADF 87
- Training, HP Technical 265
- transfer roller, removing 171
- tray 1
  - loading media 30
  - locating 7
  - media specifications 17
  - solenoids 270
- tray 2
  - cleaning pickup roller 56
  - loading media 30
  - locating 7
  - media specifications 17
  - part numbers 260, 306
  - pickup solenoid, removing 173
  - replacing pickup roller 44
  - separation pad, replacing 49
  - size specifications 324
  - solenoids 270
- tray 3
  - installing 26
  - loading media 30
  - locating 7
  - media specifications 17
  - part number 261
  - part numbers 260, 261, 306
  - separation pad, replacing 49
- trays
  - alerts 69
  - capacity 3
  - feeding operations 93
  - feeding problems, troubleshooting 223
  - installing ADF input 25
  - jams, clearing 186
  - locating 7
  - part numbers 261
  - troubleshooting ADF problems 242

- blank pages 224
- blank scans 227
- checklist 178
- cleaning page 254
- control panel display 240
- control panel messages 207
- copy quality 228
- copy size 231
- copying 231
- critical-error messages 212
- curled media 220, 249
- dialing 236
- drum rotation test 244
- DSL 241
- engine test 245
- faded print 217
- fax jams 238
- fax reports 239
- feeding problems 223
- half self-test 246
- heating element 247
- image formation 246
- jams 181
- lines, copies 228
- lines, printed pages 218
- lines, scans 227
- loose toner 219
- moisture on the trailing edge 221
- NVRAM initialization 249
- PABX lines 241
- pages not printing 224
- paper 222
- print quality 215
- receiving faxes 234
- repetitive defects 221
- scan quality 225, 227
- sending faxes 236
- skewed pages 220, 223
- speed, faxing 239
- stapler 240
- T.30 protocol trace report 255
- text 219
- toner scatter 221
- toner smear 218
- toner specks 217
- trays 223
- USB cables 224
- wrinkles 220

- Troubleshooting tab, HP  
ToolboxFX 253

## U

- uninstalling software 16
- unpacking all-in-one 24
- updating firmware 256
- Usage page, printing 65
- USB port
  - locating 9
  - troubleshooting 224
  - type included 325
- User guide
  - part numbers 263

## V

- vertical lines, troubleshooting 218
- vertical white or faded stripes 228
- voltage requirements 327

## W

- warning messages, control panel 207
- warranty
  - all-in-one 330
  - extended 332
  - print cartridges 331
- wavy paper, troubleshooting 220
- Web sites
  - documentation 2
  - HP Printing Supplies Returns and Recycling [www.hp.com/go/recycleProgram](http://www.hp.com/go/recycleProgram) 38
  - Linux and UNIX drivers 11
  - ordering supplies 36, 259
  - recycling supplies 37
- weight specifications 324
- white or faded stripes 228
- Windows
  - drivers supported 11
  - software components 13
  - system requirements 23
  - uninstalling software 16
- wire harnesses, replacing 108
- wrinkles, troubleshooting 220



© 2006 Hewlett-Packard Development Company, L.P.

[www.hp.com](http://www.hp.com)



Q6500-90901