

OWNER'S MANUAL BOTTOM FREEZER REFRIGERATOR

Please read this manual carefully before operating your set and retain it for future reference.

MANUAL DE USUARIO REFRIGERADOR CON CONGELADOR INFERIOR

Lea detenidamente este manual antes de empezar a utilizar el refrigerador y guárdelo como referencia para el futuro.

Model Name/Nombre de Modelo **=color number/número de color
LFC20770**

WARRANTY

Visit our web site <http://www.lg.com>

LG Electronics

LIMITED WARRANTY United States of America

LG Electronics will repair or at its option replace, without charge, your product which proves to be defective in material or workmanship under normal use during the warranty period listed below from the date of original purchase.

This warranty is good only to the original purchaser of the product during the warranty period as long as it is in the U.S. including Alaska, Hawaii, and U.S. Territories.

LG Refrigerator / Freezer Warranty Period

Product	Parts	Labor
Refrigerator / Freezer	1 year	1 year [In-Home Service (Except Model GR-051)]
Sealed System (Compressor, Condenser, Evaporator)	7 years	1 year [In-Home Service (Except Model GR-051)]

No other express warranty is applicable to this product. THE DURATION OF ANY IMPLIED WARRANTIES, INCLUDING THE IMPLIED WARRANTY OF MERCHANTABILITY, IS LIMITED TO THE DURATION OF THE EXPRESS WARRANTY HEREIN. LG ELECTRONICS SHALL NOT BE LIABLE FOR THE LOSS OF USE OF THE PRODUCT, INCONVENIENCE OR ANY OTHER DAMAGES, DIRECT OR CONSEQUENTIAL, ARISING OUT OF THE USE OF OR INABILITY TO USE THIS PRODUCT OR FOR ANY BREACH OF ANY EXPRESS OR IMPLIED WARRANTY, INCLUDING THE IMPLIED WARRANTY OF MERCHANTABILITY APPLICABLE TO THIS PRODUCT.

Some States do not allow the exclusion or limitation of incidental or consequential damages or limitations on how long an implied warranty lasts; so these limitations or exclusions may not apply to you. This warranty gives you specific legal rights and you may also have other rights which vary from state to state.

THE ABOVE WARRANTY DOES NOT APPLY TO:

1. Service trips to your home to deliver and pickup, install, instruct, or replace house fuses or correct house wiring or plumbing, or correction of unauthorized repairs.
2. Damage to the product caused by accident, pests, fire, floods, or acts of God.
3. Repairs when your LG product is used in other than normal, single-family household use.
4. Damage resulting from accident, alteration, misuse, abuse, or improper installation.
5. Damages caused during and/or after delivery.
6. Display, discount, or refurbished units purchased with scratches, dents, or defects.

Proof of purchase is required and must be provided to LG in order to validate warranty.

Therefore, these costs are paid by the consumer.

If the product is installed outside the normal service area, any cost of transportation involved in the repair of the product, or the replacement of defective parts, shall be borne by the owner.

CUSTOMER ASSISTANCE NUMBERS:

To obtain Warranty Coverage:	Retain your Bill of Sale to prove date of purchase. A Copy of your Sales Receipt must be submitted at the time warranty service is provided.
To obtain Product or Customer:	Call 1-800-243-0000 (24 hrs a day, 7 days per week, 365 days per year).
Service Assistance:	Press the appropriate menu option, and have your product type (Refrigerator), model number, serial number, and ZIP/Postal Code ready.
To obtain the nearest Authorized Service Center:	Call 1-800-243-0000 (24 hrs a day, 7 days per week, 365 days per year) Press the appropriate option, and have your product type (Refrigerator), model number, serial number, and ZIP/Postal Code ready.

GARANTÍA

Visite nuestro sitio web <http://www.lg.com>

LG Electronics

GARANTÍA LIMITADA Estados Unidos de América

LG Electronics reparará o en su defecto reemplazará sin cargo, el producto defectuoso en material o mano de obra bajo uso normal durante el período de garantía que se menciona a continuación desde la fecha original de compra.

Esta garantía es válida solo para el comprador original del producto durante el período de garantía mientras permanezca en los E.E. U.U. Incluyendo Alaska, Hawaii y otros territorios de E.E.U.U.

Período de Garantía del Refrigerador/Congelador LG

Producto	Partes	Mano de Obra
Refrigerador / Congelador	1 año	1 año [Servicio a Domicilio (Except Model GR-051)]
Sistema Sellado (Compresor, Condensador, Evaporador)	7 años	1 año [Servicio a Domicilio (Except Model GR-051)]

No se aplicará otro tipo de garantía a este producto. LA DURACIÓN DE OTRAS GARANTÍAS, INCLUYENDO LA DE COMPRA, ESTÁN LIMITADAS A LA DURACIÓN DE ÉSTA GARANTÍA. LG ELECTRONICS NO SE HACE RESPONSABLE POR LA PÉRDIDA EN EL USO DEL PRODUCTO, POR INCONVENIENCIA O CUALQUIER OTRO DAÑO DIRECTO O CONSECUENTE QUE PROVENGA DEL USO Y/O NO USO DE ESTE PRODUCTO O POR ALGUNA VIOLACIÓN A LAS GARANTÍAS IMPLEMENTADAS INCLUYENDO LA GARANTÍA DE COMPRA APLICADA A ESTE PRODUCTO.

Algunos estados no permiten la exclusión o limitación de daños incidentales o consecuenciales o limitaciones en cuanto al tiempo que dura una garantía implícita; por lo que algunas de estas limitaciones o exclusiones pueden no aplicarse a usted. Esta garantía le otorga derechos legales específicos y usted puede además tener otros derechos los cuales varían de Estado a Estado.

LA GARANTIA ANTERIOR NO APLICA A :

1. Servicio a su casa para entregar, recoger, instalar o reemplazar fusibles caseros, corregir cableado casero o plomería corrección de reparaciones no autorizadas.
2. Daño al producto causado por accidente, plagas, incendios, inundaciones o actos por naturaleza.
3. Reparaciones cuando su producto LG sea usado diferente a lo normal.
4. Daño resultante de accidente, alteración, mal uso o instalación inadecuada.
5. Daños causados durante y después de la entrega.
6. Reemplazo, descuento o restauración de unidades compradas con rayones, abolladuras o defectos.

La prueba de la compra se requiere y se debe proporcionar a LG para validar la garantía.

Por lo tanto, estos costos serán pagados por el consumidor.

Si el producto es instalado fuera del área normal de servicio, cualquier costo de transportación relacionado en la reparación del producto, o el reemplazo de partes defectuosas, serán cargados al propietario.

NÚMEROS DE ASISTENCIA AL CLIENTE:

Para obtener cobertura de la Garantía:	Conserve su factura para comprobar la fecha de compra. Una copia de su recibo de compra debe ser entregada cuando se le proporcione el servicio de garantía.
Para obtener información:	Llame al 1-800-243-0000 (24 hrs al día, 7 días por semana, 365 días al año)
Servicio de Asistencia:	Presione la opción de menú apropiado, y tenga su tipo de producto (Refrigerador), número de modelo, número de serie, y ZIP / Código Postal listos.
Para obtener el Centro de Servicio Autorizado más cercano:	Llame al 1-800-243-0000 (24 hrs al día, 7 días por semana, 365 días al año). Presione la opción adecuada, y tenga su tipo de producto (Refrigerador), número de modelo, número de serie, y ZIP /código Postal listos.

TABLE OF CONTENTS

Warranty	1-2	Pantry	17
		Crisper Humidity Control	17
English Version	3	OptiBin Crispers	18
		Crisper cover with interior lattice	18
		Door Racks	18
Spanish Version	30	Dairy Compartment	19
		Egg Compartment	19
		Freezer Section	19
		Ice Bin	19
Important Safety Instructions	4-5	DuraBase	19
Requirements for Ground Connection	5	Durabase Divider	19
		Glide Out Drawer	19
		Tilting Door	19
Parts and Features	6		
Refrigerator Installation	7-13	Refrigerator Care and Cleaning	20-21
Unpacking	7	Refrigerator Cleaning	20
Installation	7	Outside	20
Installation of Base Grille	7	Inside Walls	20
How to remove and Install the Refrigerator Doors	8-11	Door Lining & Gaskets	20
How to remove and Install Pull-Out Drawer	11-12	Plastic Parts (Covers and Panel)	20
Closing and Aligning the doors	13	Back Cover	20
		Replacing Refrigerator Lights	20
Using your Refrigerator	14-20	Power Interruptions	21
Ensuring Proper Air Circulation	14	When Going on Vacation	21
Multi Flow	14	When Moving	21
Door Alarm	14	About the Automatic Ice Maker	22
Adjusting the Controls	14		
Adjusting Control Settings	15	Connecting the Water Line	23-25
Food Storage Guide	15		
Storing Frozen Food	15-16	Troubleshooting Guide	26-28
Refrigerator Section	16-19		
Refrigerator Shelves	16-17		

IMPORTANT SAFETY INSTRUCTIONS

SAFETY MESSAGES

This manual contains several important safety notices. Always read and obey all of the following safety messages.



This is the safety alert symbol. This symbol is a warning to potential dangers that could cause death, injury or damage to you, others or the product. All safety messages will follow after this warning symbol and the word "DANGER", "CAUTION" or "WARNING". These words mean:

DANGER

You may be killed or suffer fatal damage if you do not follow instructions.

WARNING

You may be killed or seriously injured if you do not follow instructions.

CAUTION

Indicates a potentially hazardous situation which, if not avoided, may result in minor injury or damage to the product.

All safety messages inform you of potential danger, advise you on how to reduce the risk of injury and tell you what can occur if the instructions are not followed.

WARNING

To reduce the risk of fire, electrical shock or personal injury, the following precaution measures should be followed:

- NEVER disconnect the refrigerator by pulling the power cord, always grip the plug firmly and disconnect it directly from the outlet.
- Immediately repair or replace all faulty or damaged service cables. Do not use cords that have cracks or abrasion damage on the length of the cord or on the plug.
- When moving your refrigerator, take care not to roll over the electrical cord.
- **DO NOT** store or use gasoline or other combustible liquids or vapors in proximity with this or any other electrical appliance.
- **DO NOT** permit children to climb, stand or swing from the doors or shelves of the refrigerator. This can cause serious injury to them and damage to the product.
- Keep your fingers away from areas in which they can become caught, such as the doors, hinges and cabinets. Be careful closing the doors when children are near.
- Unplug the refrigerator before cleaning or repairing. **NOTE:** We strongly recommend that any repair services be performed by a qualified professional.
- Before replacing a burned-out light bulb, unplug the refrigerator or shut down the circuit breaker to avoid contact with a live wire (the bulb could break while being replaced). **NOTE:** Setting the control to the OFF position does not disconnect the power from the light bulb circuit.
- Do not keep bottles in the freezer compartment, they could explode after freezing and cause damage.
- For your safety, this product should be properly grounded. Have a qualified professional check the electrical circuit and outlet to ensure a proper ground connection.
- Read all instructions before utilizing the product. Utilize this product only as explicitly expressed in this guide.
- Once the refrigerator is operating, avoid touching cold surfaces of the freezer with damp or wet hands; the skin could become adhered to these surfaces.
- In refrigerators with an automatic ice dispenser, avoid contact with moving parts of the ejector mechanism or with the heating mechanism that discharges the cubes. **DO NOT** place your fingers or hands in the ice dispenser mechanism while the refrigerator is connected.
- **DO NOT** refreeze foods which have already thawed. The Department of Agriculture of the United States, in your Bulletin of Home and Gardens No. 69 establishes that:
"..You can refreeze food that has thawed if they contain ice crystals or are cold and below 40 °F (4 °C)".
"..Ground beef, perishable food or seafood that is discolored or has an unpleasant odor should not be frozen or consumed. Consumption of melted ice cream should also be avoided. If the odor or color of food is questionable, discard it. The food may be dangerous to consume".
"Partial thawing or refreezing reduces the quality of the food, especially fruit, vegetables and prepared meals. The quality of red meat is less affected than other foods. Use refrozen products as soon as possible in order to maintain their quality".

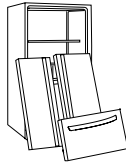
KEEP THESE INSTRUCTIONS

⚠ CAUTION

This appliance is not intended for use by children, persons with physical or mental disabilities, persons with reduced sensory or mental capacity, or persons with lack of experience or know-how, unless they have supervision or instruction in relation to the use of the appliance by the person responsible for their safety. Children should be supervised to assure that they do not play with the appliance.

⚠ DANGER: CHILDREN MAY BECOME TRAPPED

Children becoming trapped or suffocated is not a problem of the past. Discarded and abandoned refrigerators are a hazard, even if they remain there "for just a few days". If you would like to dispose of your old refrigerator, please follow the instructions below to prevent any accidents.



BEFORE DISPOSING YOUR REFRIGERATOR OR FREEZER WHEN NO LONGER IN USE:

- Remove the doors.
- Leave the shelves in place so that children cannot easily become stuck in them.

CFC DISPOSAL

Your old refrigerator may have a cooling system that uses CFC's (chlorofluorocarbons). CFC affects the stratospheric layer of the ozone.

If you decide to throw out your old refrigerator, ensure that CFC contaminants are properly disposed of by a qualified professional. If you intentionally remove the CFC refrigerant, you could be subject to fines or prison in accordance with environmental legislation in effect.

REQUIREMENTS FOR GROUND CONNECTION

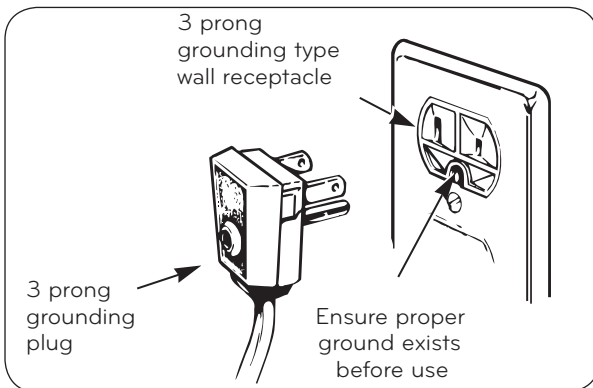
IMPORTANT: Attentively read the following.

TO CONNECT ELECTRICITY

⚠ WARNING

ELECTRICAL SHOCK HAZARD

FOR YOUR PERSONAL SAFETY, this appliance must be properly grounded. Have a qualified electrician check your wall outlet to ensure that the plug is grounded properly.



RECOMMENDED GROUNDING METHOD

Your refrigerator must always be plugged to its own outlet which is adequately grounded. The energy current should only be 115 V, 60 Hz, A.C. and fused at 15 or 20 A. This provides the best performance and prevents an overload which could cause a fire from the overheating of the cables. It is recommended that a separate circuit be used for this appliance, as well as a receptacle that cannot be disconnected with a switch.

Do not use an extension cable. It is your responsibility and obligation to replace two-prong outlets with that of an adequately grounded three-prong outlet.

Do not, under any circumstance, cut or extract the third prong from the plug.

NOTE: Before installation, cleaning or replacing light bulbs, you must disconnect the appliance from the power source. When finished, plug the appliance back in and adjust the thermostat to the desired position.

USE OF EXTENSION CABLES

We do not recommend the use of extension cables. However, if you still choose to utilize an extension cable, it is absolutely necessary that it is listed in the UL (in the United States) or CSA (in Canada), that it supports three-pronged plugs and that the electrical current support a minimum of 15 A and 120 V.

The use of an extension cable will increase the amount of space needed behind the refrigerator.

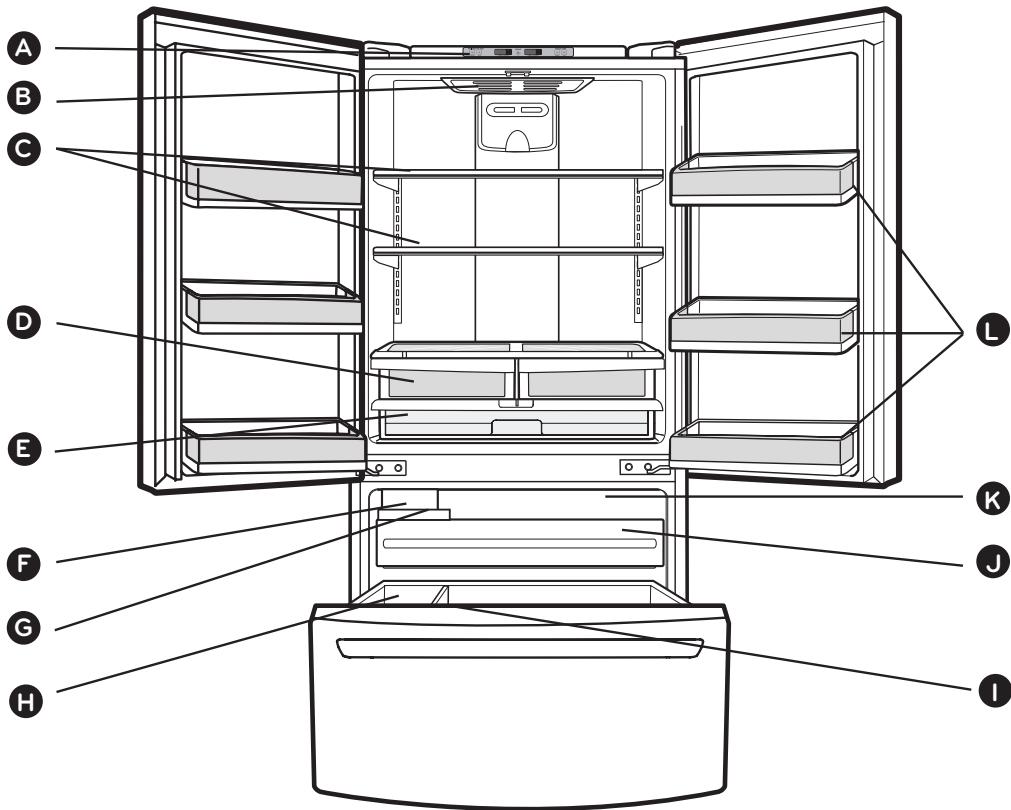
⚠ WARNING

REPLACING ELECTRICAL CABLE

If the power cord is damaged, it must be replaced by our service center or qualified LG technician to avoid any risk.

PARTS AND FEATURES

Drawer Model



Read this section to familiarize yourself with the parts and features of your new refrigerator.

NOTE: This guide covers different models. Your refrigerator could have some or all of the features and parts listed below. The location of some of the parts may not correspond to that of your model.

- | | |
|--|---------------------------|
| A Refrigerator Temperature Control | I Durabase divider |
| B Refrigerator Light | J Pull Out Drawer |
| C Shelves | K Freezer Light |
| D Optibin Crisper
Keeps fruits and vegetable fresh and crisp | L Door Racks |
| E Pantry * | |
| F Ice Maker * | |
| G Ice Bin* | |
| H Durabase | |

* On some models

REFRIGERATOR INSTALLATION

⚠ WARNING

EXCESSIVE WEIGHT HAZARD

Use the assistance of two or more persons to move or install the refrigerator. Not following these instructions may cause injury to the back and other parts of the body.

UNPACKING

Before installing your refrigerator, remove any tape or temporary stickers. Do not remove any stickers that feature warnings, the model serial number or the technical label of the product located on the back of the refrigerator.

To remove adhesive tape residue, rub it well with your fingers and a little liquid detergent. Clean with warm water and let dry.

Do not use sharp instruments, rubbing alcohol, flammable liquids or abrasive cleaning products to remove the adhesive tape or glue. These products can damage the surface of your refrigerator. For more information, see the section on **"Important Safety Instructions"**.

The shelves come already installed in their factory position. Remove the shelves and replace them according to your spacing needs.

Moving Your Refrigerator:

Your refrigerator is extremely heavy. Make sure you protect the floor when moving your refrigerator for cleaning or servicing. Always pull your refrigerator straight out when moving it. Do not shift from side to side or "walk" the refrigerator when attempting to move it as this can cause damage to the floor.



⚠ WARNING

EXPLOSION HAZARD



Keep all flammable materials and vapors (such as gasoline) away from the refrigerator. Not following these instructions may cause death, explosion or fire

INSTALLATION

1. Avoid placing the unit near heat sources, direct sunlight, or humidity.
2. To avoid vibration, the unit should be leveled. If needed, adjust the leveling screws to compensate for an unlevelled floor. The front should be slightly taller than the rear to ensure that the doors close properly. The leveling screws can easily be turned by slightly tilting the front of the refrigerator, turning the leveling screws clockwise () to raise it and counter-clockwise () to lower it.

3. Install the refrigerator in an area between 55 °F (13 °C) and 110 °F (43 °C). If the surrounding temperature is lower or higher than previously mentioned, it can adversely affect the unit.

⚠ CAUTION: Avoid placing the unit near heat sources, direct sunlight or humidity.

ONCE INSTALLED

1. Carefully clean your refrigerator and remove and dust accumulated during shipping.
2. Install accessories such as the ice bin, door racks, shelves, etc., in their proper places. These are already packed to prevent any possible damage during shipping.
3. Leave your refrigerator on for 2 to 3 hours before storing food inside. Verify that there is a flow of cold air in the freezer compartment to ensure proper cooling. Your refrigerator is now ready for use.

⚠ WARNING:

- Take care when working with the hinges, base cover and stops, etc. You may injure yourself.
- DO not place your hands or any tools in the air vents, the base cover or in the bottom of the refrigerator. This may cause injury or electrical shock.

INSTALLATION OF BASE GRILLE

Uninstalling or Replacing the Base Grille

1. Remove the 2 screws from the bottom front part of your refrigerator (see Figure A).
2. Take off the cover.

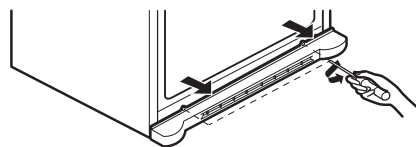


Figure A

Installing the Base Grille

1. Align the bottom cover and place in position. Insert the 2 screws and twist in place (see Figure B).

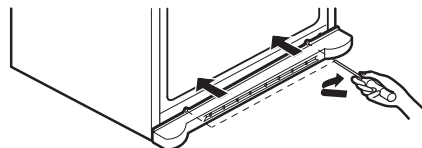
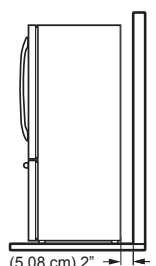


Figure B

Keep a Proper Distance from Adjacent Objects

Please keep the refrigerator at an adequate distance from other objects. Insufficient spacing can reduce the refrigerator's freezing efficiency and increase electricity consumption.



REFRIGERATOR INSTALLATION

HOW TO REMOVE AND INSTALL THE REFRIGERATOR DOORS

For moving the refrigerator through a house door, it might be necessary to remove refrigerator and freezer door handles.

IMPORTANT: Before starting, turn off and unplug the refrigerator. Remove all food and the racks from the doors.

TOOLS YOU MIGHT NEED OR USE

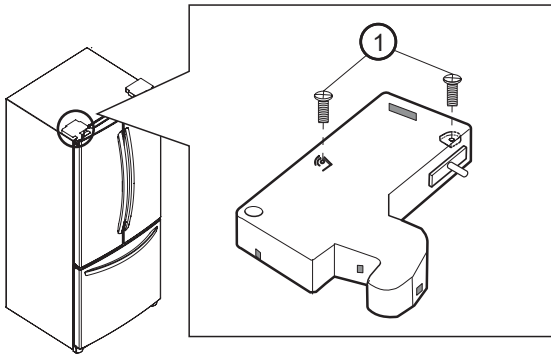


1. Removing Refrigerator Door

NOTE: The appearance of the handle, hinge and cover hinge might be different. Also the screws quantity used in cover hinge might vary according to your model specification. THE APPEARANCE VARIATION DOES NOT AFFECT REMOVING OR INSTALLING DOORS.

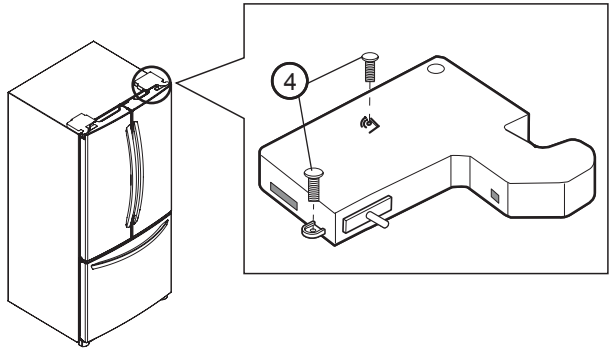
Left Door

- With the Phillips screw driver, loose the screw from the upper lid (1) remove it after that.

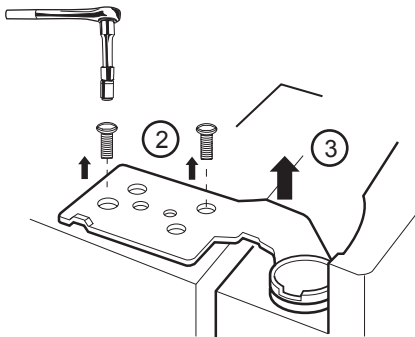


Right Door

- Loose both screws from the upper lid (4) and remove it.

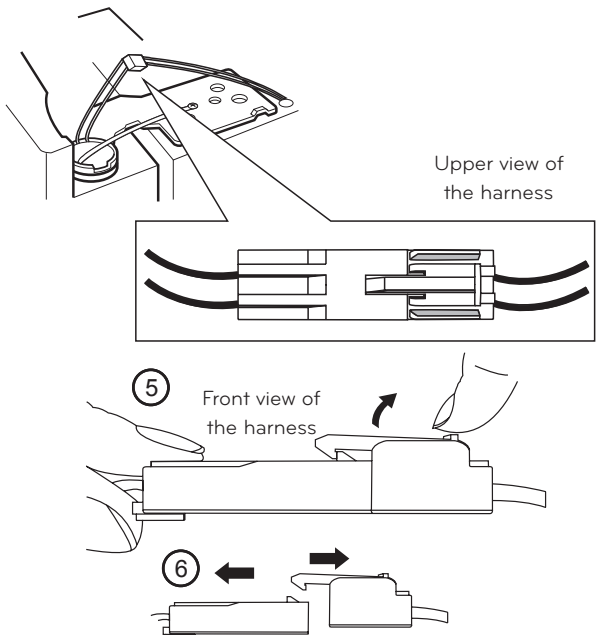


- With the 10 mm socket wrench, loose the two pins from the hinge (2) and remove it (3).



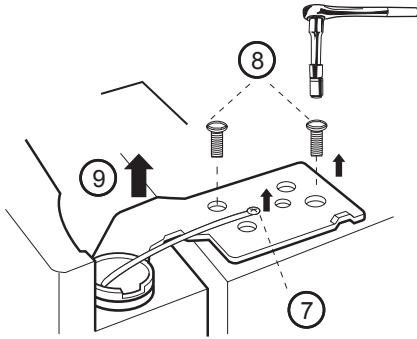
- Place the door with the inner face over the surface so it won't scratch.

- Unplug the cable harness pulling up the hook located in the upper part of it (5) and separate both parts of the harness (6).

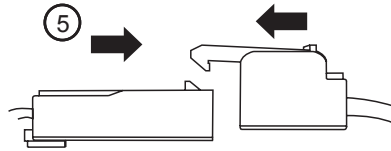


REFRIGERATOR INSTALLATION

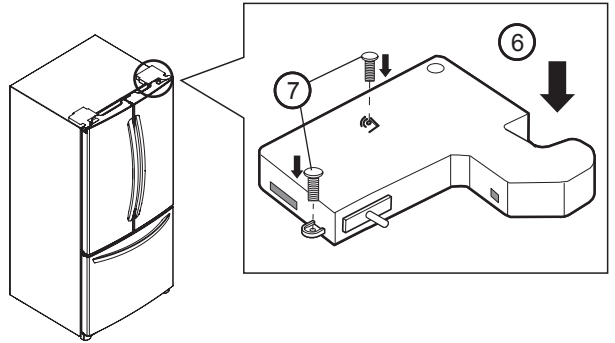
- Loose the grounding screw (7) and the pins (8) located over the hinge, after, lift the hinge and remove it (9).



- Plug the cable harness (5).



- Place the hinge lid (6) and install both screws (7). Be sure the door is correctly assembled.

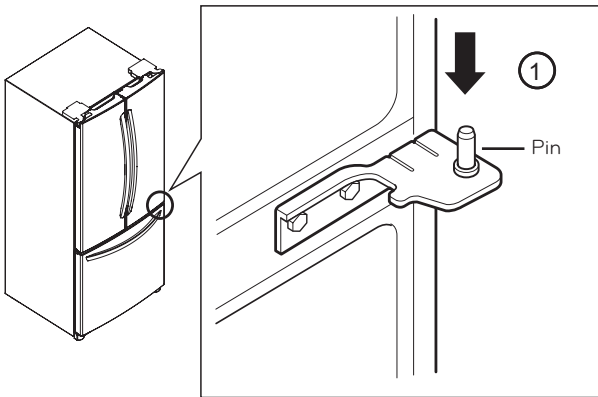


- Remove the door and place it over its inner face to avoid scratching.

2. To install the refrigerator doors

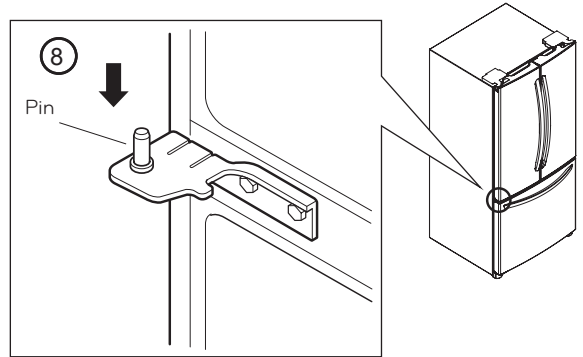
Right Door

- Take the door and place it gently over the pin of the hinge (1).

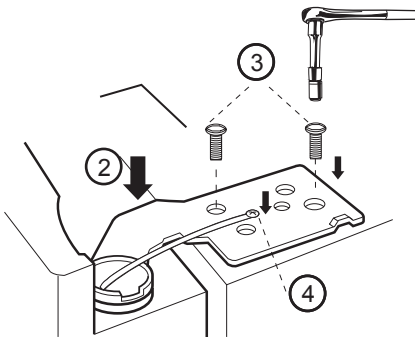


Left Door

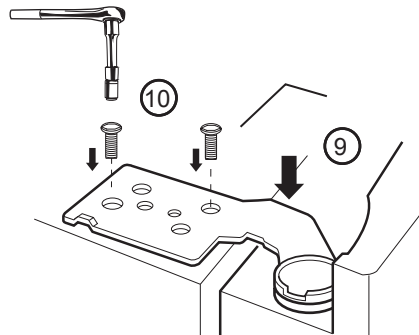
- Take the left door and place it over the hinge (8).



- Place the hinge in its original position (2) assembly the two pins (3) and the ground screw (4).

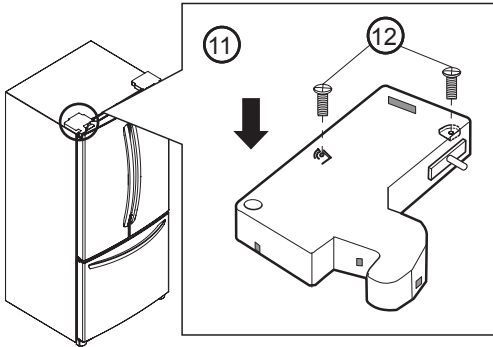


- Place the hinge in its original position (9) and place the two screws (10).



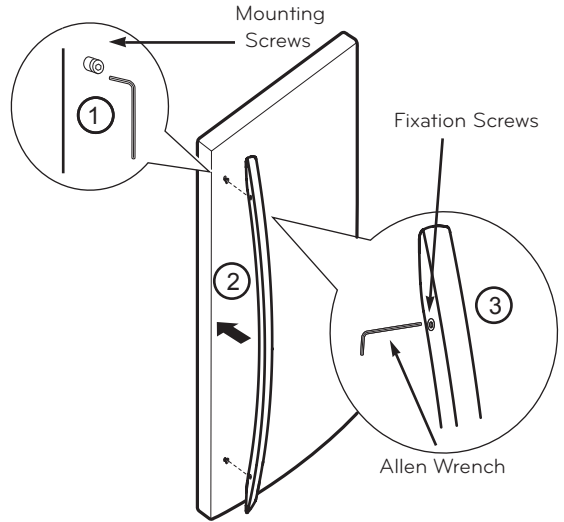
REFRIGERATOR INSTALLATION

- Place the hinge's lid (11) and screw the two screws (12). Check that the door is well installed.



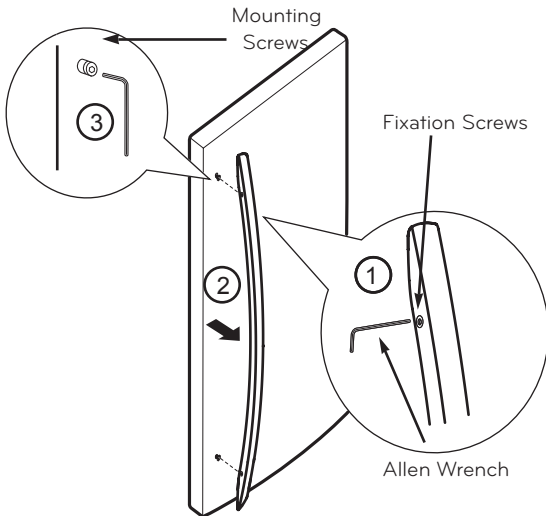
4. To install the handle of the refrigerator

- Install the mounting screws over the door (1) place the handle over them (2) and tight the screws up (3).



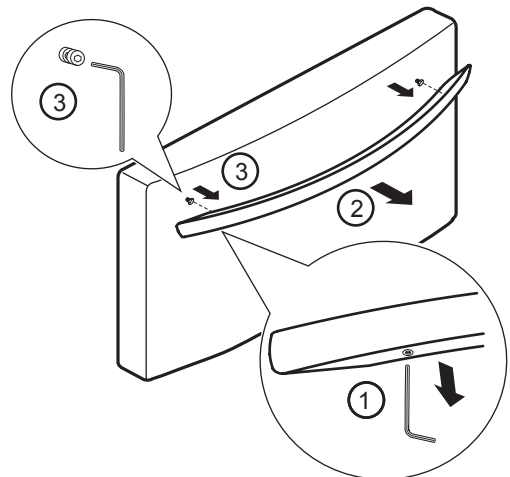
3. To remove the refrigerator handle

- Loose the screws (1) with the Allen tool 3/32" and remove the handle (2).
- Remove the mounting screws with the 1/4" Allen tool (3).



5. To remove the freezer handle

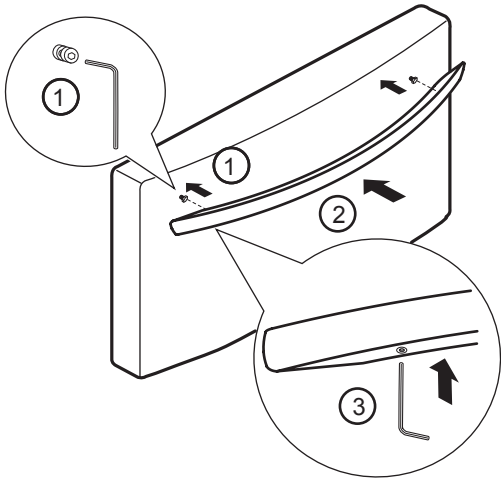
- With an 3/32" Allen tool, loose the screws (1) located the bottom of the handle, remove it (2) remove the screws on from the door (3) with an 1/4" Allen tool.



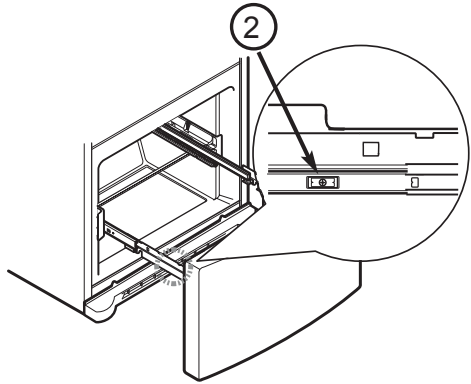
REFRIGERATOR INSTALLATION

6. To install the freezer handle

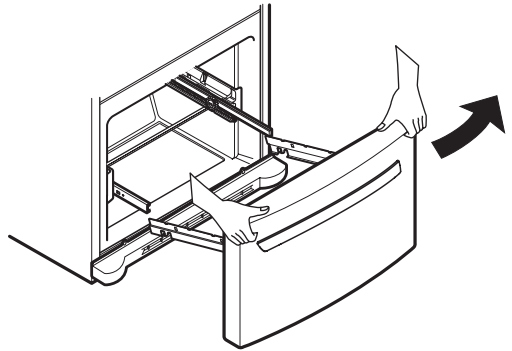
- Install the mounting screws over the door (1) place the handle over them (2) and tight the screws up (3).



- Remove the screws (2) from both sides of the rail track.



- With both hands, hold both sides of the door and pull up to separate it.

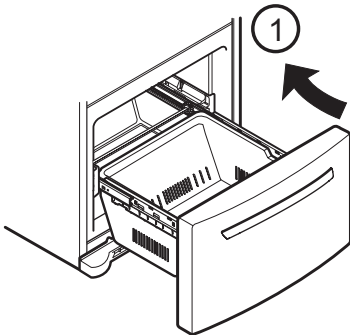


HOW TO REMOVE AND INSTALL THE PULL OUT DRAWER

IMPORTANT: To avoid possible injury or damage to the product or your property, please use two people to perform the following instructions:

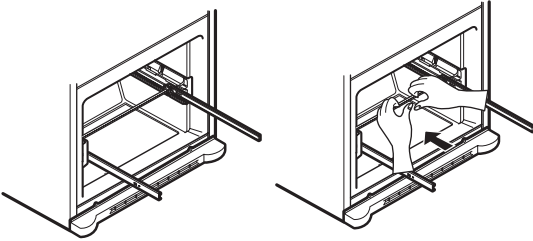
1. Removing the Pull Out Drawer

- Pull the drawer out to maximum extension. Remove the bottom rack (1) by tilting it back a little and then lifting it off the railing tracks.

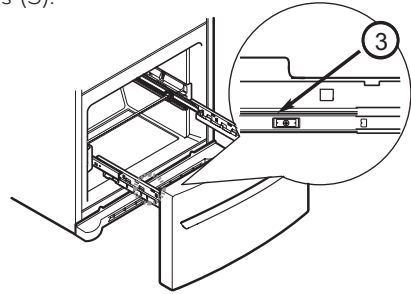


REFRIGERATOR INSTALLATION

- With both hands, hold the center of the bar and push it in so that it is fit to both rails simultaneously.



- Push the drawer down into position and tighten the screws (3).

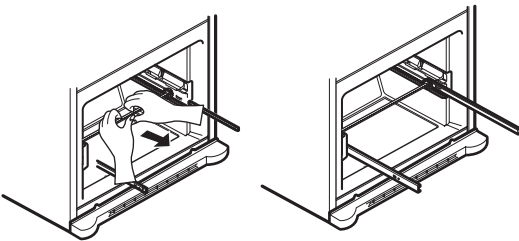


CAUTION: When removing the drawer, do not hold the handle. If it comes off, it could cause personal injury.

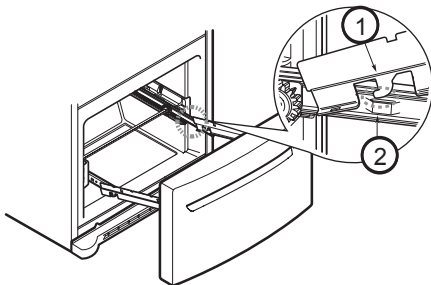
CAUTION: To place the drawer on the floor, take care not to damage the floor or hurt your feet with the sharp edges on the side with the hinges.

2. Installing the Pull Out Drawer

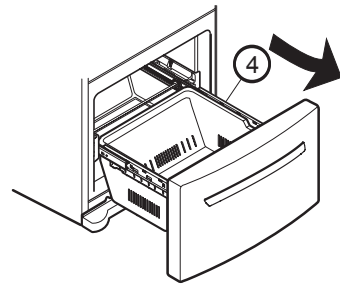
- With both hands, hold the center of the bar and pull it outward so that the two rails extend out at the same time.



- Mount door supports (1) into the tabs on the railing track (2), starting in the back first and then connecting the part in the front last, as shown in the figure.



- With the drawer fully extended, insert the lower basket over the front part of the rail assembly and then the back part (4).



WARNING: To prevent entrapment risk and accidental child or animal suffocation, DO NOT permit them to play inside of the drawer.

WARNING: DO NOT step or sit on the Freezer Door.

REFRIGERATOR INSTALLATION

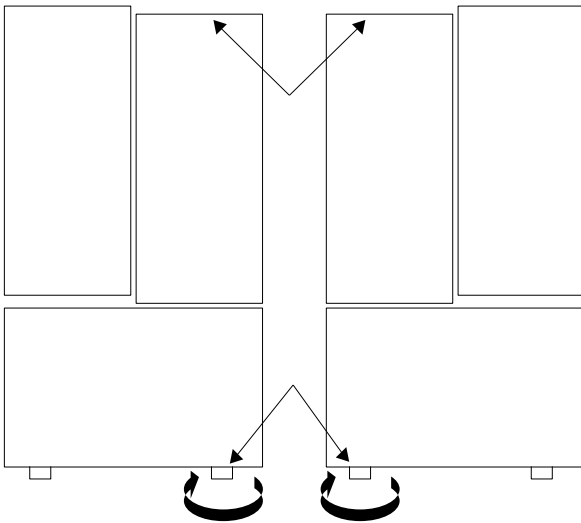
CLOSING AND ALIGNING THE DOORS

Closing the Doors

Your refrigerator has two front leveling screws, one on the right and one on the left. If your refrigerator seems unstable or if you would like the doors to close more easily, simply adjust the inclination of the refrigerator by following the instructions below:

1. Plug the refrigerator into a 3 prong grounded outlet. Move the refrigerator into its final position.
2. Remove the base grille (Refer to the section on "Installation of Base Grille").
3. Use a flat head screwdriver to adjust the leveling screws, turning clockwise to raise the side of the refrigerator and counter-clockwise to lower it. It may take several turns to adjust it to the inclination you would like.

NOTE: Having someone push against the top of the refrigerator takes some weight off the leveling screws. This will make it easier to adjust the screws.



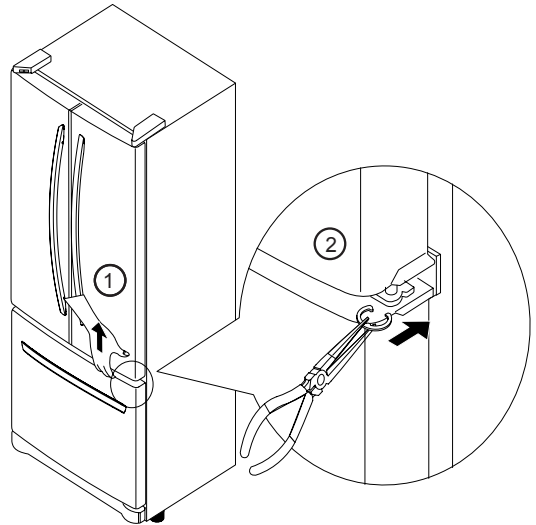
4. Open both doors again and check to make sure that they close easily. If not, slightly tilt the refrigerator further back by turning both leveling screws clockwise. It may take several more turns. Make sure that you turn both leveling screws the same amount.
5. Ensure that the refrigerator is even by using a level.
6. Replace the base grille.

NOTE: Your new refrigerator is uniquely designed with two fresh food doors. Either door can be opened or closed independently of one another. You may have to exert slight pressure on doors to get them to close completely.

Aligning the Doors

If the spacing between the doors is uneven, follow the instructions below to align them:

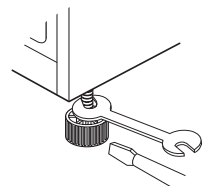
1. With one hand, lift up the door you want to raise at middle hinge.
2. With other hand, use pliers to insert snap ring as shown.
3. Insert additional snap rings until the doors are aligned (Three snap rings are provided per unit).



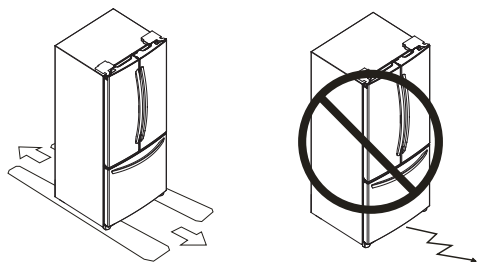
When moving your refrigerator

Note: Your refrigerator is extremely heavy. When moving the refrigerator for installing, cleaning or service be sure to follow the next instructions.

1. Adjust leveling legs up.



2. Cover the floor with cardboard or hardboard to avoid floor damage.
3. Always pull or push the refrigerator straight out when moving it. Do not wiggle or "walk" the refrigerator when trying to move it, as floor damage could occur.



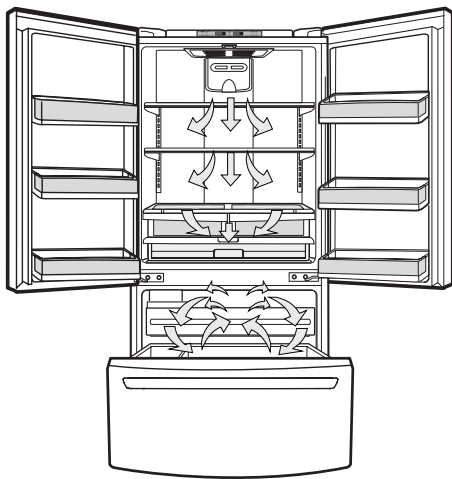
USING YOUR REFRIGERATOR

ENSURING PROPER AIR CIRCULATION

In order to obtain stable temperature, the air must flow between the freezer and refrigerator sections. As shown in the illustration below, the cold air enters through the bottom part and circulates upward. This air returns below the freezer floor and the rest of the air enters the refrigerator section through the top vent.

MULTI FLOW

- The cooling fan operates more powerful and effective than when in normal operation. This is especially noticeable when new food is placed in the refrigerator compartment.
- If the lining is damaged, water or other substances could enter through the cool air vent causing decreased efficiency.



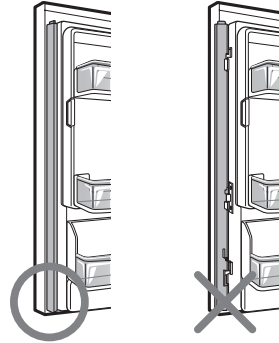
Do not block any of these vents with packages of food. This can interrupt the flow of air and cause temperature and moisture problems.

IMPORTANT: Because air circulates between both sections, any odors formed in one section will transfer to the other. You must thoroughly clean both sections to eliminate odors. To prevent odor transfer and drying out of food, make sure you wrap or cover foods tightly (See the **"Food Storage Guide"** section for details).

DOOR ALARM

With this feature you will hear an alarm when the freezer or refrigerator door is ajar for more than 1 minute. These tones will repeat every 30 seconds. The alarm is cancelled when the door is properly shut.

CAUTION WHEN CLOSING THE DOOR



⚠ CAUTION

To reduce the risk of door scratches, please make sure that the refrigerator door mullion is always folded in.

ADJUSTING THE CONTROLS

- Your refrigerator has two controls that allow you to regulate the temperature the freezer and refrigerator compartments.
- Initially set the REFRIGERATOR CONTROL and the FREEZER CONTROL at position number "4". Leave it on these settings for 24 hours (one day) in order to stabilize the refrigerator. After this you may adjust the compartments to your desired temperature.

- **Refrigerator Control: Position 1 to 7 (32 °F to 47 °F or 0 °C to 8 °C)**

The lower the degree, the colder the refrigerator compartment will become.



- **Freezer Control: Position 1 to 7 (-6 °F to 9 °F or -21 °C to -13 °C)**

The lower the degree, the colder the freezer compartment will become. Despite this, the compartment of the refrigerator will be less cold because air flows in smaller quantities.

- **Ice Plus**

Press the button Ice Plus. The LED light will turn on. This function will remain activated for 24 hours and intensify the cooling speed of the freezer and increase ice production.



USING YOUR REFRIGERATOR

ADJUSTING CONTROL SETTINGS

Give the refrigerator time to cool down completely before adding food. It is best to wait 24 hours before adding food to the refrigerator. The mid-settings indicated in the previous section should be correct for normal household refrigerator usage. The controls are set correctly when milk or juice is cold to your liking and ice cream is firm.

The refrigerator control functions as the thermostat for the entire appliance. The higher the number setting, the longer the compressor will run to keep the temperature colder. The freezer control adjusts the cold air flow from the freezer to the refrigerator. Setting the freezer control to a lower temperature keeps more cold air in the freezer compartment to make it colder.

If you need to adjust the temperature in the refrigerator or freezer, begin by adjusting the refrigerator first. Wait 24 hours after the refrigerator adjustment to check the freezer temperature. If it is too warm or too cold, then adjust the freezer control as well.

Use the settings listed in the table below as a guide.

CONDITION/REASON:	RECOMMENDED ADJUSTMENT:
REFRIGERATOR section is too warm <ul style="list-style-type: none"> Opening the door often Adding a large amount of food Room temperature is very warm 	Adjust the REFRIGERATOR setting to the next highest number and wait 24 hours, then check.
FREEZER section is too warm/ ice is made too slowly <ul style="list-style-type: none"> Opening the door often Adding a large amount of food Room temperature is very low (not cycling often enough) Using ice frequently Air vents blocked by objects 	Adjust the FREEZER setting to the next highest number and wait 24 hours, then check. Remove any objects blocking air flow.
REFRIGERATOR section is too cold <ul style="list-style-type: none"> Controls not set correctly for your conditions 	Adjust the REFRIGERATOR setting to the next lowest number and wait 24 hours, then check.
FREEZER section is too cold <ul style="list-style-type: none"> Controls not set correctly for your conditions 	Adjust the FREEZER setting to the next lowest number and wait 24 hours, then check.

FOOD STORAGE GUIDE

ITEMS	HOW TO STORE
Storing Fresh Food	Wrap or store food in the refrigerator in airtight and moisture-proof material unless otherwise noted. This prevents food odor and taste transfer throughout the refrigerator. For dated products, check date code to ensure freshness.
Butter or margarine	Store opened butter in a covered dish or in a closed compartment. When storing a larger quantity, wrap in freezer packing and freeze.
Cheese	Store in original packaging until you are ready to use it. Once opened, tightly rewrap with plastic wrap or aluminum foil.
Vegetables with skins (carrots, peppers)	Place in bags or plastic containers inside the crisper.
Fruit	Wash and let dry; store in plastic bags in the refrigerator. Do not wash or pit berries until you are ready to eat them. Berries should be selected and kept in their original packaging (if there is any) or in a paper bag closed halfway and set on a shelf.
Leafy Vegetables	Remove original packaging and trim any dirty or discolored parts. Wash in cold water and drain. Place in a plastic bag or plastic container and store in the crisper.
Fish	Consume fish or seafood the same day purchased.
Chef Fresh	Store any meat in original airtight, moisture-proof packaging. Rewrap if necessary.
Leftovers	Cover leftovers with plastic wrap or aluminum foil. Plastic containers with airtight lids can also be used.

STORING FROZEN FOOD

NOTE: For more information on how to prepare food to be frozen such in a way to see the period they can be stored consult a frozen food guide or cook book.

Packaging

A great freezing depends on how great you package the food. When you seal the package make sure you remove all excess air and do not allow humidity. A package that is incorrectly sealed will result in the transmission of bad odors, contaminants inside your refrigerator and will cause your foods to dry.

USING YOUR REFRIGERATOR

Packaging Recommendations:

- Use sealed plastic containers.
- Use plastic containers with a smooth surface.
- Package with aluminum foil of high resistance.
- Wrap with paper layered with plastic.
- Use water proof plastic.
- Use recommended plastic bags to store frozen foods.

Follow these packaging or container instructions in order to reach the best freezing

Do not use:

- Bread Wrapping.
- Plastic container not safe for storing.
- Containers without lids or seals.
- Waxed paper or waxed plastic.
- Thin wrapping paper or not water proof.

Freezing

IMPORTANT: Do not keep bottles in the freezer compartment, they may explode after freezing and cause damage.

For the maximum use of your freezer do not store excess food. Do not introduce a large amount of unfrozen foods that cannot be frozen within 24 hours (no more than 2 - 3 pounds or ,91 kg - 1,36 kg of food per square inch of space in the freezer). Sufficient space must be left in order for the air to circulate properly around the packages. Leave enough space in order to close your refrigerator with out difficulty.

Storage times can vary depending on the type and quality of the food, the way its package, or packaging container used, (in comparison to air and humidity), and the temperature it being stored in. Ice crystals formed inside your package are normal it indicates the air and humidity inside your package have condensed.

NOTE: Let warm foods cool off at room temperature for approximately 30 min, then wrap accordingly with the methods mention above and freeze. By letting your warm foods cool off before you introduce them to your freezer it will save you energy.

⚠ WARNING

SUFFOCATING DANGER

Adequate ventilation is required when using dry ice. Dry ice is Carbon Dioxide (CO₂). When it evaporates it produces oxygen, causing dizziness, slight headaches, unconsciousness or death. Do not inhale these vapors and properly ventilate the room while you use dry ice.

REFRIGERATOR SECTION

REFRIGERATOR SHELVES

The shelving of your refrigerator can be adjusted to comply with your storage necessities; Depending on the model you have in can include glass shelving or wired shelving. The storing of your foods together and adjusting the shelving to different heights will ease to help you locate what you need. This also helps your refrigerator to stay shut longer which will save you energy.

IMPORTANT: While your refrigerator glass shelving are cold do not clean with hot or warm water. The glass shelving may break if exposed to rapid temperature changes or hard impacts. For your safety the glass shelving are made out of tempered glass so when at breaking they will fracture into tiny fragments.

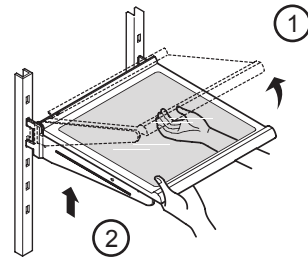
NOTE: Be careful while moving or relocating the shelves they are heavy. If moving the shelves is required keep in mind to locate them in a safe environment to prevent them from breaking.

Adjusting Shelves

Remove the shelves and adjust them to your convenience.

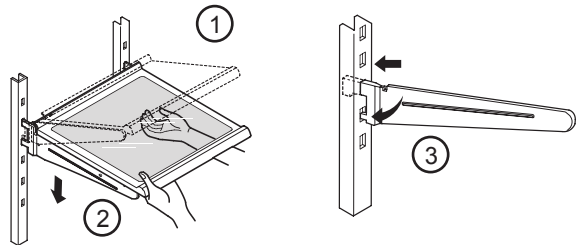
• Removing Shelves

Incline the front of the shelf in the direction indicated by figure 1 and lift in the direction indicated by figure 2. Pull the shelf towards you.



• Replacing Shelves

Incline the frontal part of the shelf (1) and guide the shelf hooks towards the openings at the height desired. Then lower the front of the shelf (2) so the hooks can be inserted (3) in the shelf supports.



NOTE: Make sure that the shelf is installed in the horizontal manner. If not secured it can cause the shelves to fall, which will cause your stored food to spill.

USING YOUR REFRIGERATOR

Sliding Shelves (in some models)

You can slide some of the shelves in your refrigerator towards inside or outside like explained below.

- To slide the shelf towards the outside: Pull towards you, figure A.
- To slide the shelf towards the inside: Push until it stops, figure B.

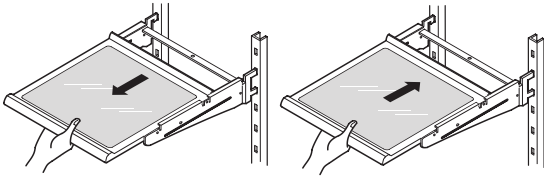


Figure A

Figure B

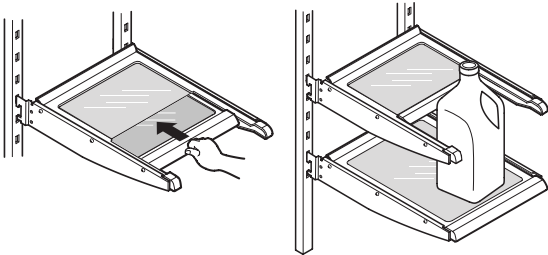
In order to remove a shelf from a metal frame

- Pull the shelf until it stops.
- Incline the front of the shelf towards the top and pull forward.
- Lift the shelf in the manner it moves across the support openings.

To put back into place just reverse these steps.

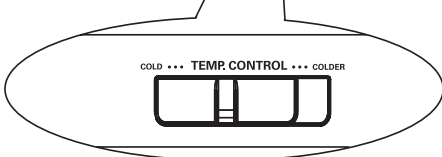
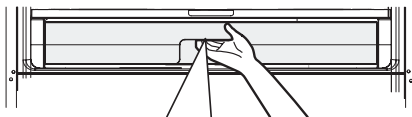
Functional Shelves (Folding Shelves, in some models)

You can store tall articles like gallons or bottles just by simply folding the shelf in half.



PANTRY (in some models)

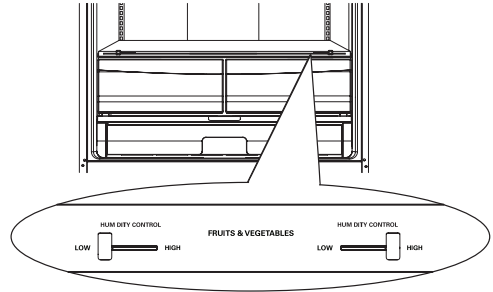
For storage of meat or fresh food. Adjust the control to desired temperature by moving from COLD to COLDER. Pull forward to open. Lift slightly and pull it out to remove.



CRISPER HUMIDITY CONTROL (in some models)

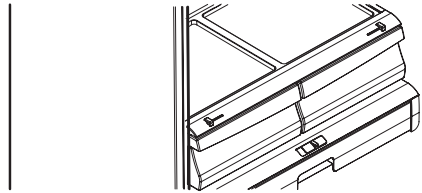
For the conservation of fruits you can control and adjust the humidity level (high or low) in the drawers.

- **“High”**: Allows air to leave the vegetable drawer for the best conservation of fruits.
- **“Low”**: Allows air to be stored in the drawer for the best conservation of vegetables.



To remove the crisper:

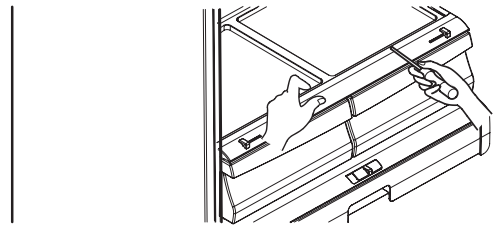
- Slide crisper straight out to the stop.
- Lift the front of the crisper, then pull it out to remove.
- Replace the crisper by sliding it back in fully past the drawer stop.



CAUTION: Be careful when you handle the glass cover because it could loose.

To remove the glass:

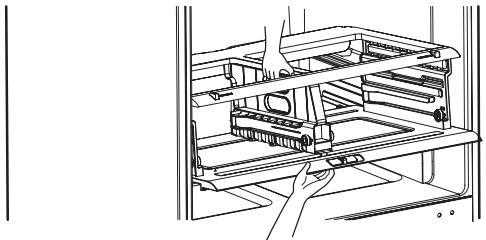
- Lift up the glass after inserting a screwdriver under the crisper cover.
- Pull glass cover up and out.



To remove the crisper cover support:

NOTE: Remove glass before removing the crisper cover support.

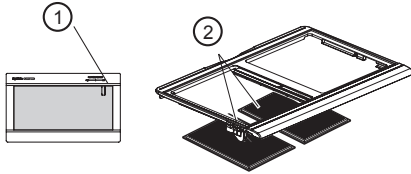
- While holding the crisper cover support with both hands (as shown in the image below). Pull forward and slightly lift the front part.



USING YOUR REFRIGERATOR

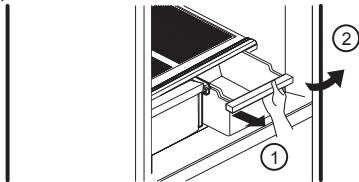
OPTIBIN CRISPERS

The OptiBin crisper maintains fruits and vegetables fresh allowing you to easily control the humidity inside the drawers. The Optibin crispers include 1) a front humidity control and 2) a system that allows you to preserve or avoid humidity.



Removing the Vegetable Drawer / Crisper

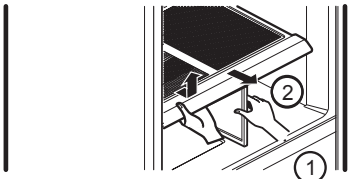
- Slip out the drawer towards the outside until it stops (1).
- Slightly lift the front part and pull the rest (2), in order to completely remove the drawer.
- To relocate the drawer slip out towards the front until it stops.



CRISPER COVER WITH INTERIOR LATTICE (in some models)

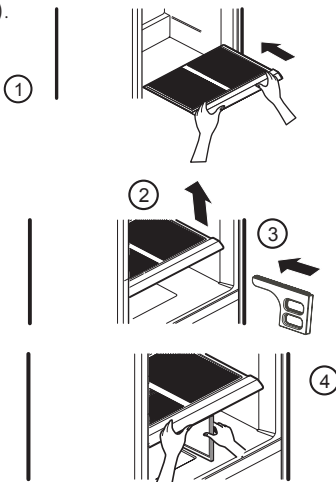
Removing the Vegetable Drawer Cover

- Remove both drawers (see "Removing the Vegetable Drawer/Crisper").
- Hold onto the support (1) and pull towards the top and then towards the outside (2).



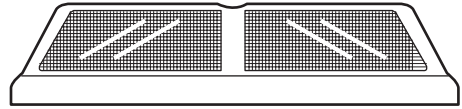
Installing the Vegetable Drawer Cover

- Put the cover over the supports (1).
- Slightly lift the cover (2) while introducing it to the support (3).
- Put the inferior piece of the cover in the superior support (4).

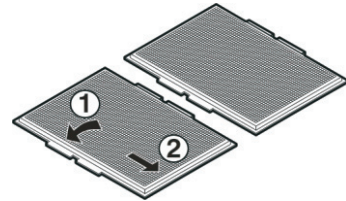


- ⚠ **CAUTION:** Be careful when you handle the glass cover because it could loose.

Removing the Interior Lattice

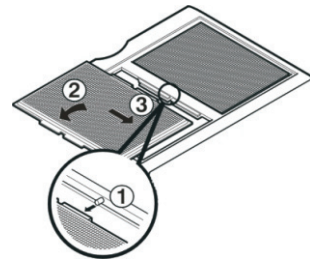


- Remove the cover (See "Removing the Vegetable Drawer Cover").
- Hold the glass and spin the drawer cover (1).
- Hold the rack and pull the sides of the drawer cover out to take them off (2).



Replacing the Interior Lattice

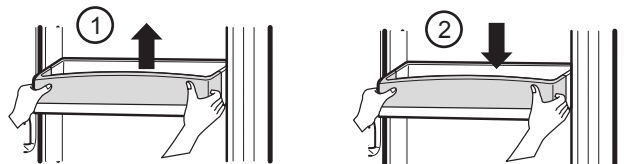
- For each rack insert the central edge 1 (near the glass cover) and pull the cover sides to insert it.



DOOR RACKS

The door racks are removable for easy cleaning and adjusting.

- To remove the rack, simply lift the rack up and pull straight out (1).
- To replace the rack, slide it in above the desired support button and push down until it stops (2).



- ⚠ **WARNING:** Somebody can be hurt if door racks are not firmly assembled.

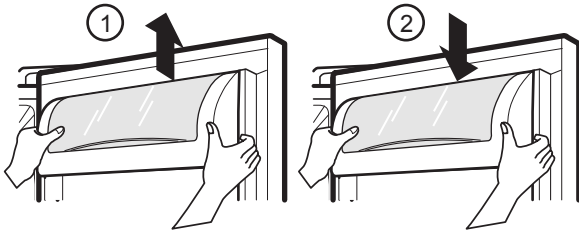
- ⚠ **CAUTION:** DO NOT allow children to play with baskets. Sharp corners on baskets could cause injury.

NOTE: DO NOT adjust a rack that is loaded with food.

USING YOUR REFRIGERATOR

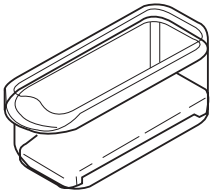
DAIRY COMPARTMENT (in some models)

- To remove the dairy compartment, simply lift it and pull straight out (1).
- To replace the dairy compartment, slide it in above the desired location and push down until it stops (2).



EGG COMPARTMENT (in some models)

Keep the eggs compartment in an interior shelf, not in a door rack.

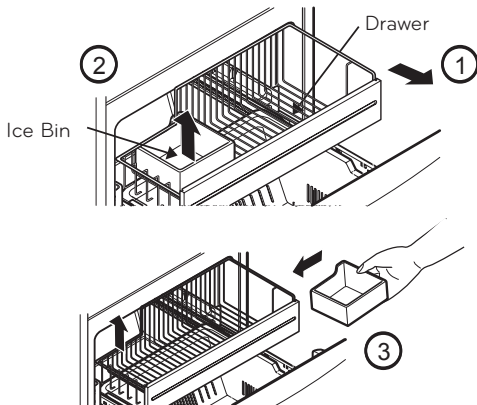


- ⚠ **CAUTION:** Do not use the eggs compartment as a container for keeping ice in the freezer compartment. If it freezes, it could break easily.

FREEZER SECTION

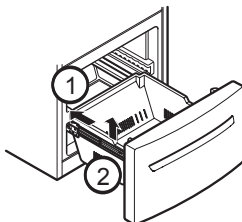
ICE BIN (In some models)

- Pull the drawer as much as possible (1).
- Raise the ice box and take it out carefully (2).
- Take the drawer off as much as possible and put the ice bin in the right position (3).



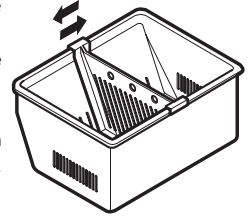
DURABASE (in some models)

- To remove the Durabase, push it back, raise the front part and pull it up (1).
- To put it back, insert the Durabase in the rail assembly (2).



DURABASE DIVIDER (in some models)

Allows organizing the Durabase area in 2 sections. For moving the divider, just move it in the direction that you want.



- ⚠ **WARNING:** There is enough space for the children to play.

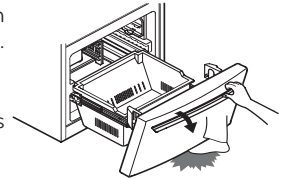
- ⚠ **WARNING:** In order to prevent accidents, such as suffocation, DO NOT let children and pets play inside the durabase.

TILTING DOOR (in some models)

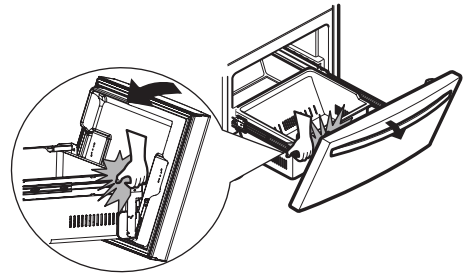
The tilting door provides an easy access to the frozen food.

How to use:

Incline the door downwards and pull it out.

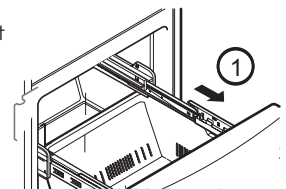


- ⚠ **WARNING:** Be careful when opening the door, do not place your feet under the door or your hands inside the freezer; you may hurt them in doing so.

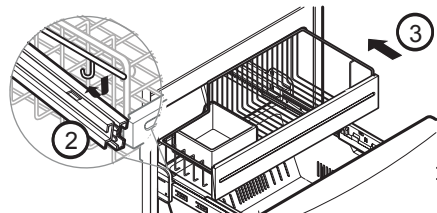
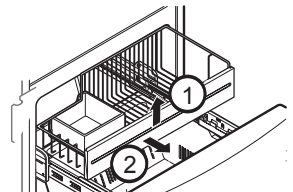


GLIDE-OUT DRAWER BASKET (in some models)

- Pull the box as much as possible, pick up the basket a bit (1) and pull it out (2).



- To install, pull the cords to their fullest (1). Lock the supports of the basket into the slides of the cords (2) and push it all the way through (3).



REFRIGERATOR CARE AND CLEANING

⚠ WARNING

EXPLOSION HAZARD



Do not use flammable cleaners. Not following these instructions can cause death, explosion or fire.

The refrigerator, as well as the freezer, do their own de-freezing. This process does not prevent the build up of contaminants, therefore it is suggested that you clean both parts once a month; clean spilled liquids immediately.

REFRIGERATOR CLEANING

- Unplug your refrigerator.
- Pull out all of the removable parts (such as the vegetable and dairy doors).
- Use a clean sponge (or a soft rag) and use it with lukewarm water mixed with detergent. Do not use abrasive or concentrated cleaners.
- Hand wash it, and dry it thoroughly.
- Plug the refrigerator back in.

OUTSIDE

Wax the outside in order to create better protection. Make sure you use a product specifically design to be used for electro-domestic products (car wax is acceptable). Use a clean, soft rag, and perform this task twice a year. For metal-made refrigerators, do not wax, simply clean it with water and detergent. Do not use concentrated or abrasive products.

NOTE: Avoid the usage of chemical products that contain phosphates or bleach.

INSIDE (Allow freezer to slightly warm up a small degree to prevent cloth from sticking)

In order to eliminate bad odors, clean the inside of the refrigerator with a mixture of baking powder and lukewarm water (one teaspoon of baking powder per cup of water). Ensure that the powder dissolves thoroughly, in order to prevent any sort of damage.

DOOR LINING AND GASKETS

Use only a mild detergent (such as dish soap).

PLASTIC PARTS (Covers and Panels)

Do not use abrasive, paper or rough products. These could damage the product.

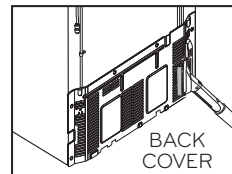
BACK COVER

⚠ WARNING

ELECTRICAL SHOCK HAZARD

Before you begin, either unplug the refrigerator or turn off power at the circuit breaker or fuse box.

NOTE: Back Cover should only be removed by a qualified technician.



In order to get an efficient performance of your refrigerator, clean the back cover of it at least twice a year.

REPLACING REFRIGERATOR LIGHTS

NOTE: The interior lighting for this model uses LED lighting.

DO NOT try to change an LED module. LED lighting should only be replaced by a qualified service technician.

REFRIGERATOR CARE AND CLEANING

POWER INTERRUPTIONS

1. In case of a black out, call your electric company and ask how long it will last.
2. In case of a 24 hour or less black out, do not open the refrigerator; this will keep the food fresh.
3. In case of a longer black out, do one of the following options:
 - Pull out all of the frozen food and keep them in an ice chest.
 - Put 2 lbs (907 g) of frozen ice (make sure you use gloves) for each square foot (28 L) inside the freezer. This task will preserve the food for 2 to 4 days.
 - In case you do not possess neither ice chest or dry ice, consume your food as soon as possible.

REMEMBER: In a power failure, a full freezer stays cold longer than a partially filled one. A freezer full of meat stays cold longer than a freezer full of baked goods. If you see that food contains ice crystals, it may be safely refrozen, although the quality and flavor may be affected.

If the condition of the food is poor or if you feel it unsafe, dispose of it.

WHEN GOING ON VACATION

If you decide to leave your refrigerator on when going away, consider these steps:

1. Consume all of the perishable items and freeze the rest.
2. Empty the ice bin.

If you decide to leave your refrigerator off:

1. Remove all of the food.
2. Unplug your refrigerator.
3. Clean and dry it well.
4. Make sure the doors stay open (use blocks or tape) in order to prevent bad odors and fungi from happening.

WHEN MOVING

If you decide to take your refrigerator with you when moving, consider the following:

1. Remove all of the food from it, and place the frozen food in an ice chest with dry ice.
2. Unplug your refrigerator.
3. Empty the water from its tray.
4. Clean and dry it with a rag.
5. Pull out all of the removable parts, and wrap them with adhesive tape.
6. Depending on the model of the refrigerator, lift the top part of the refrigerator so it can roll with ease, or screw the levelers so it won't scratch the floor. Consult to the section **"Closing and Aligning Doors"**.
7. Keep the doors closed with the cable glued to the refrigerator cabinet with an adhesive tape.

When your refrigerator arrives to your home, put everything back into place and read the section **"Refrigerator Installation"** in order to obtain installation preparation. In case your refrigerator has a factory ice maker, remember you have to reconnect the water supply.

ABOUT THE AUTOMATIC ICE MAKER

NOTE: The automatic Ice maker is only included in some models. Check your specifications of your refrigerator.

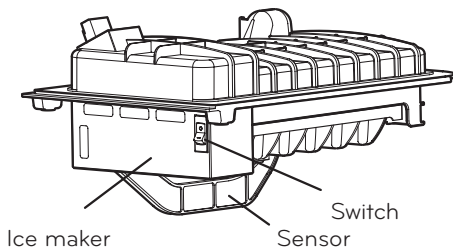
⚠ WARNING

PERSONAL INJURY HAZARD

Avoid contact with any moving parts of the ejector mechanism or with the heater that releases the ice cubes. **DO NOT** place your fingers in the automatic ice maker when the refrigerator is plugged in.

OPERATING INSTRUCTIONS

After turning on your refrigerator, the ice will start to be made between 12 and 24 hours.



The ice maker produces 12 cubes per cycle (in between 80 and 100 cubes in a 24 hour period), depending on the temperature of the freezer, the times in which the door opens, and other using conditions (amount of food in the freezer, etc).

If the refrigerator is used before the connection of water to the ice maker was performed, you must turn its dial to **O** (off).

When the water connections are performed, turn its dial to **I** (on).

The ice maker will fill up (and start making ice) between 12 and 24 hours after the refrigerator is turned on.

Throw away the first batch of ice. Make sure that nothing interferes with the sensor.

When the ice reaches the sensor, the ice maker will stop to make ice immediately.

It's normal that some ice gets stuck. If the ice is not used frequently, the older cubes of ice will be opaque in color, smaller, and with a strange flavor.

YOU MUST TURN THE SWITCH TO O (OFF)

- When the water supply is interrupted for many hours.
- When the ice container is left out of its place for more than one or two minutes.
- When the refrigerator will not be in use for various days.

NORMAL SOUNDS

- The valve will emit a buzzing sound when the ice maker is full of water. If the switch is placed in the off position the buzz will still be heard even when the water pipe has not been connected. To avoid this sound, move switch to **O** (off) position.

NOTE: The ice maker can get damaged if the switch is kept in the ON position before the water pipe has been connected.

- While the ice maker is filling up with water and producing ice, you will hear the sound of the ice falling and water flowing through the pipes.

PREPARING FOR VACATIONS

Move the ice maker switch to the **O** (off) position and cut the flow of water going into the refrigerator.

If room temperature is at freezing point, have a specialized technician drain the flow of water from the inner pipes (certain models) to avoid broken pipe related damage.

NOTE: It is necessary to have a water source when both water and/or Ice dispensers are available in your product.

CONNECTING THE WATER LINE

BEFORE START

The water source is not guaranteed by the refrigerator manufacturer. Follow instructions carefully in order to reduce damage.

Air located inside the water pipes can cause hammering or tapping causing damage to the inner pipes or water spillage in the inside of the refrigerator. Call a qualified plumber to fix such hammering on the connections before installing the water pipe.

To avoid burn damage or such, never connect refrigerator to hot water pipes.

If you are to use the refrigerator before connecting it to the water source, make sure the ice maker is the off position.

Never attempt to install the ice maker pipes in areas where room temperature is below freezing point.

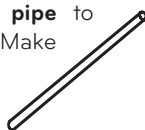
When using any electrical device (like a drill) during the installation, make sure device is doubly isolated or making ground to prevent risk of electrical surge or discharge.

All installations should be done considering local water and drainage requirements.

- If an inverted osmosis water filtration system is connected to the cold water source, the water hose installation is not assured or guaranteed by the refrigerator or automated ice maker manufacturer. Follow the next instructions carefully to minimize costly water related damages.
- When having an inverted osmosis water filtration system connected to the cold-water flow, the water pressure for such system must be at least between 40-60 PSI or 0,27 MPa ($2,8 \text{ kg} \cdot \text{f} / \text{cm}^2 \sim 4,2 \text{ kg} \cdot \text{f} / \text{cm}^2$, ($2,8 \text{ kg} \cdot \text{f} / \text{cm}^2 \sim 4,2 \text{ kg} \cdot \text{f} / \text{cm}^2$, less than $2 \sim 3$ seconds to fill a 7 oz of capacity cup [0,2 liters])).
- If the inverted osmosis water filtration system pressure is less than 21 PSI or 0,14 MPa ($1,5 \text{ kg} \cdot \text{f} / \text{cm}^2$, more than four (4) seconds to fill a 7 oz of capacity cup [0,2 liters]):
 - a) Identify if the sediments filter in the inverted osmosis system is being blocked. Replace filter if necessary.
 - b) Allow inverted osmosis system storage tank to refill after extensive usage.
 - c) Call a qualified plumber if the inverted osmosis water pressure problem continues.

REQUIREMENTS

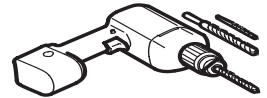
- **1/4" (6,35 mm) in diameter copper pipe** to connect refrigerator to the water pipe. Make sure both terminals are cut in squared manner.



To determine how much pipe material is needed, measures the distances between the valves located behind the refrigerator and the source of water and add to that 8 feet (2,4 m). Make sure there is sufficient pipe material to allow the free movement of the refrigerator from the wall

- **A cold water source.** Water pressure should be between 0,138 and 0,82 MPa or 20 and 120 PSI for models not containing water filter and between 0,276 and 0,82 MPa or 40 and 120 PSI for models containing water filter.

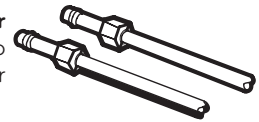
- **A drill.**



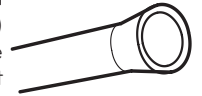
- **Adjustable 1/2" (12,7 mm) key.**

- **Flat and Phillips style (star) screwdriver.**

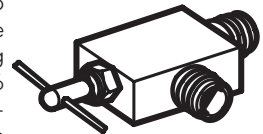
- **Two 1/4" (6,35 mm) diameter compression nuts** with two sides to connect the copper pipe to the refrigerator valve.



If your current copper pipe has some reduction on the ends, it will be necessary to get and adaptor (found in hardware stores) to connect the water line to the refrigerator. It is also possible to cut such reductions with a pipe cutter and use the compression connections mentioned above.



- **Bypass valve** to connect to the cold water line. The valve must have a water opening with an interior 5/32" (3,46 mm) diameter in the cold-water connection point. These valves can be located in any cold-water connection package. Before buying make sure such valve meets local standards and requirements.



INSTALLATION INSTRUCTIONS

Install the valve to the pipe that you use to drink water. (Connect only to a potable water source).

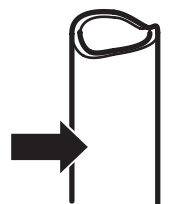
⚠ CAUTION: Connect to potable water supply only.

1. CLOSE THE MAIN WATER SOURCE

Open the nearest water faucet to let water flow and empty pipes.

2. SELECT THE LOCATION OF THE VALVE

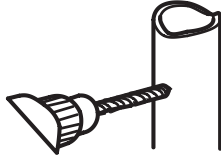
Select the location of the valve that will provide a better access. It is best to connect to a vertical pipeline. When connecting to a horizontal pipeline is necessary, make the connection in the lateral or upper area instead of the lower area to prevent accumulation of sediment.



CONNECTING THE WATER LINE

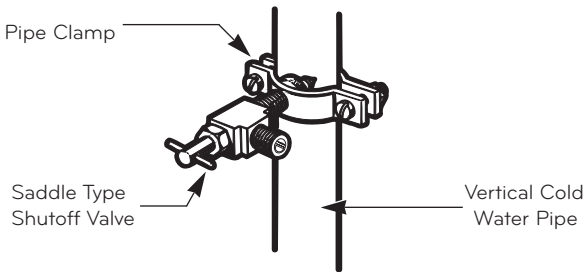
3. DRILL A HOLE FOR THE VALVE

Drill a 1/4" (6,35 mm) diameter hole in the water pipeline. Remove jagged edges produced after perforation. Make sure water does not reach the drill. Not performing the 1/4" (6,35 mm) perforation can lead to a low or smaller ice production.



4. TIGHTEN THE VALVE

Tight the valve into the cold water pipeline with a tube trap.

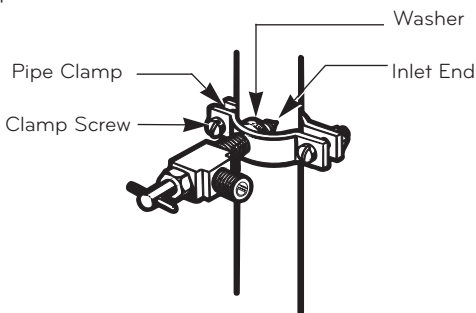


NOTE: Codes for 248 CMR pipelines of the state of Massachusetts must be attached to the connection. Valves of this type are banned in Massachusetts. Call an authorized plumber.

5. TIGHTEN THE TRAP

Tighten the trap until the sealing ring begins to grow.

NOTE: Make sure it is not too tight, this can break the pipe.



6. PLACE THE PIPELINE

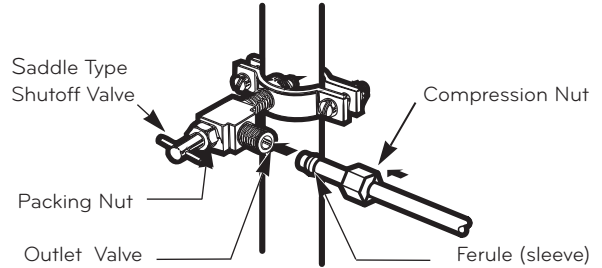
Place the pipeline between the cold water pipe and the refrigerator. Place it through a hole in the wall or floor (behind the refrigerator or next to the cabinet) as close to the wall as possible.

NOTE: Make sure there is a sufficient amount of extra pipeline (8 feet [244 mm] coiled up three times with a 10" [25 cm] in diameter) to allow free movement of the refrigerator from the wall after installation was made.

7. CONNECT PIPELINE TO VALVE

Place the compression nut and the copper pipe ferule at the end of the pipe and connect to the valve. Make sure

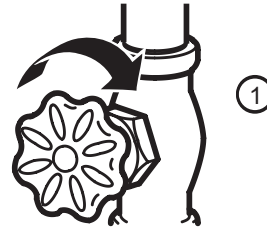
the pipe is completely inserted into the valve. Tighten nut carefully.



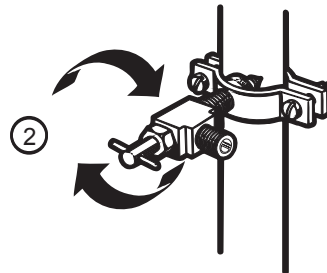
NOTE: Codes for 248 CMR pipelines of the state of Massachusetts must be attached to the connection. Valves of this type are banned in Massachusetts. Call an authorized plumber.

8. DRAIN THE PIPE

Open the main water source (1) and drain the pipe until water comes out clear.



Allow water flow from the bypass valve (2) and close after draining 1/4 of a gallon (1L) of water.



9. CONNECT PIPE TO REFRIGERATOR

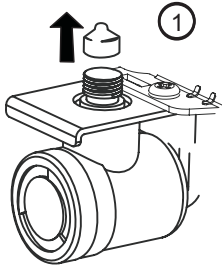
NOTES:

- Before making connection to refrigerator, make sure it is not connected to any energy source. If your refrigerator does not have a water filter, it is advised to install one.
- If your water source contains sand or related particles that can travel to the valve, install a water filter near the refrigerator.

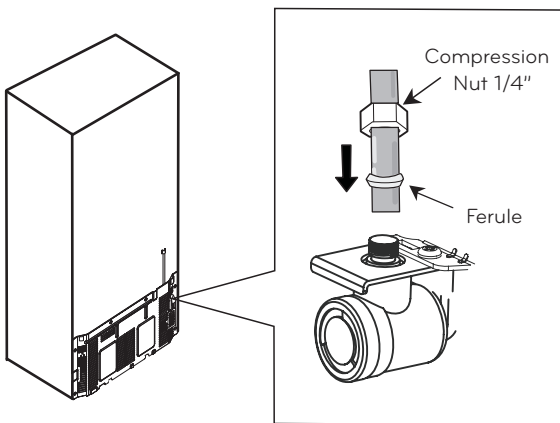
IMPORTANT: Never use old or used hoses. Always use new ones to have a better use and experience. Connect always to a potable water source to avoid security and health issues.

CONNECTING THE WATER LINE

- Remove the ring plug (1) from the valve located at the top of such device.



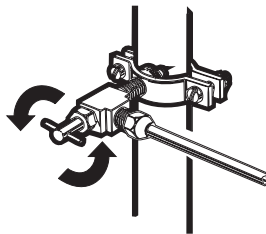
- Place compression nut and the ferule at the end of the pipeline. Insert pipeline into the connection valve as far as possible. Hold tightly while holding pipeline.



Hold on to the pipe from the handles or grabbers located behind the refrigerator, loosening first the bolt holding the handle. Afterwards, insert pipe into the hole and tighten bolt to finalize.

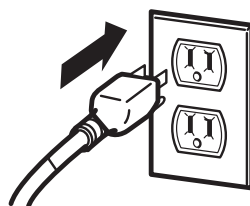
10. OPEN THE BYPASS VALVE

Tighten all connections containing leaks. Place access cover back on compressor.



11. CONNECT TO REFRIGERATOR

Fix pipeline in a way that it does not vibrate on the refrigerator or wall. Push refrigerator against wall.



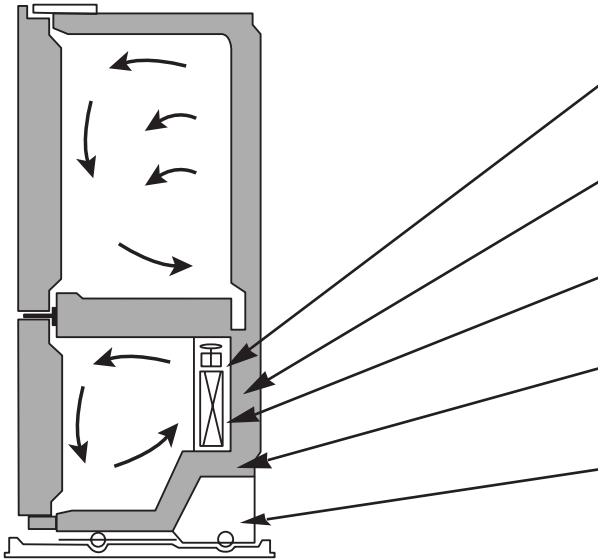
12. TURN ICE MAKER ON

Turn ice maker switch into the **ON** position. Ice maker will start only after reaching its operating temperature of 15 °F (-9 °C) or less. It will automatically begin the ice production if switch is located in the **ON** position.

TROUBLESHOOTING GUIDE


UNDERSTANDING SOUNDS YOU MAY HEAR

Your new refrigerator might produce certain noises that your previous refrigerator did not. It is normal if you worry. Most of the new sounds you will be hearing are actually normal and expected. Hard surfaces like walls or floor can increase sounds and make them sound louder than they really are. The following list has a description of such sounds along with their causes.



- You will hear a bell sound caused by the flow of the refrigerant, water pipe or objects located on the superior part of the refrigerator.
- Your refrigerator is designed to work efficiently to preserve your food at the desired temperature using the least of energy. You will be able to hear a pulsing sound coming from the ventilators and the evaporator. The speed of the ventilator can speed up when you open the refrigerator door.
- After each cycle you will hear a dripping sound due to the refrigerant liquid in your refrigerator.
- Contraction and expansion of the inner walls can cause a slight popping sound.
- You will hear a dripping sound caused during the thawing cycle.
- During the defrosting cycle the water might cause a dripping sound.
- You can hear some tight air sound over the capacitor caused by the fan.
- Running water can be heard during the defrosting cycle.
- Due to its low energy consumption design of the refrigerator; the fans will remain of, while the on-off switch activated the internal light of bin.

- The thawing timer will make a "click" sound when such timer will start and finish. Temperature controlling device will also make a "click" sound at the beginning and ending of the refrigerator cycle.

Problem	Possible Causes	Solutions
THE REFRIGERATOR WON'T TURN ON	<ul style="list-style-type: none"> • The plug is correctly positioned. • A fuse has gone bad or the circuit presents failures. • The refrigerator is in the defrosting cycle. 	<ul style="list-style-type: none"> • Firmly plug the cord into a live outlet with proper voltage. • Replace the fuse or reset the circuit breaker. • Wait about 30 minutes for defrost cycle to end.
THE CONTROL PANEL LIGHTS ARE BLINKING SECUENTIALLY. (1-2-3-4-5-6-7)	<ul style="list-style-type: none"> • Refrigerator is in Demo Mode. (Demonstration Mode) 	<ul style="list-style-type: none"> • The Demonstration Mode disables the cooling system; only the lamps and display work normally. • To disable press ULTRA ICE and Adjust Temp buttons at the same time for 5 seconds.
THE LIGHT WON'T TURN ON	<ul style="list-style-type: none"> • The refrigerator is plugged. • The light bulbs are loose. • A light bulb has gone bad. 	<ul style="list-style-type: none"> • Plug the refrigerator in a right voltage plug. • Unplug the refrigerator. Unscrew the Light bulb and screw it again (Read the section Refrigerator Care and Cleaning). Plug again. • Unplug the refrigerator before changing the light bulb. Replace the bulb with a same 40 watts bulb for your local store. (Read the section Replacing Refrigerator Lights).

TROUBLESHOOTING GUIDE

Problem	Possible Causes	Solutions
STRANGE SOUNDS OR SNOOZING/ VIBRATIONS	<ul style="list-style-type: none"> The refrigerator is not correctly positioned. 	<ul style="list-style-type: none"> You need to adjust the leveling screws due the floor is unlevelled or weak. Read the Installation section.
IT LOOKS LIKE THE COMPRESSOR MOTOR STAYS ON TOO LONG	<ul style="list-style-type: none"> The replaced refrigerator was an older model. The room temperature is hotter than usual. The door is being opened very often or there has been a big amount of food in storage. The refrigerator is plugged and the control has been adjusted correctly. Doors won't close correctly. The condenser pipes are dirty. 	<ul style="list-style-type: none"> Modern refrigerators with a bigger storage capacity require longer periods of operation. The motor will continue working when the room temperature is high. The motor might be on between 40% or 80% of the time. In high temperature conditions, the capacitor might run on periods of time. When adding or opening the door of the refrigerator, it warms it up. It's normal that the refrigerator to run more that usual in order to cool the bins. (Read the section Food Storage Guide). To save energy, take what you need at once, order your food in order so it can be easily found and close the door immediately soon after you took out the food. The refrigerator will take 24 hours to cool down completely. Push firmly the Doors. If they don't close. Read Doors will not close completely below. This will stop the air transfer and marked the motor to work longer and harder. Clean the pipes of the condenser.
DOORS WILL NOT CLOSE COMPLETELY	<ul style="list-style-type: none"> The refrigerator is not leveled. The food packages are blocking the doors. The ice bin, the vegetable bin, the panels and the shelves from the door are out of place or position. The gaskets are sticking. The refrigerator wobbles or looks instable. The doors were removed during the installation and they weren't properly setup. 	<ul style="list-style-type: none"> Read Refrigerator Installation section to level refrigerator. Adjust the food bins in order to free space between the doors and the shelves. Push the containers and place the vegetable cover lid, the panels, shelves and any other container or bin in their right positions. Read the section Using your Refrigerator. Clean the seal rings and the surface they might be in contact with. Use a piece of cloth with a small amount of paraffin and apply it over the seal rings. Level the refrigerator. Read the section Closing and Aligning the Doors. Remove and place again the door according to the section Refrigerator Doors: How to remove and reverse.
THERE'S ICE ON THE FOOD	<ul style="list-style-type: none"> The door hasn't been closed completely. The door is frequently opened. 	<ul style="list-style-type: none"> Read Doors Will not Close Completely already mentioned. When the door is opened, warm, humid air is allowed in the freezer resulting in frost.
THERE IS A WEIRD TASTE AND SMELL IN THE ICE	<ul style="list-style-type: none"> The ice maker has been installed correctly. The ice has been on storage too long. The food hasn't been packed in the correct way. The water supply contains mineral and sulfur. The inside of the refrigerator need cleaning. The ice bin needs cleaning. 	<ul style="list-style-type: none"> Don't use the first ices made. Dispose of that old ice and make new. Pack again the food because it can transfer odors and tastes to the ice. You might need to install a filter in order to eliminate the odors and taste problems. Read the section Refrigerator Care and Cleaning. Empty the bin and discard the old ice cubes.

TROUBLESHOOTING GUIDE

Problem	Possible Causes	Solutions
THERE'S WATER IN THE DRAINING BIN	<ul style="list-style-type: none"> • The refrigerator is in defrosting cycle. • It's more humid than usual. 	<ul style="list-style-type: none"> • The water will evaporate. It is normal that some water falls on the bin. • It might take a while for the water to evaporate. This is normal when the weather is hot and humid.
THE REFRIGERATOR SEEMS TO MAKE TOO MUCH NOISE	<ul style="list-style-type: none"> • The sounds may be normal for your refrigerator. 	<ul style="list-style-type: none"> • Refer to the Understanding Sounds You May Hear section.
THE ICE MAKER IS NOT PRODUCING ICE OR ICE CUBES ARE FREEZING TOO SLOWLY	<ul style="list-style-type: none"> • The smallest size of ice cubes is selected. • Door left open. 	<ul style="list-style-type: none"> • Wait 24 hours after hook-up for ice production. See the Adjusting the Controls section. • Check to see if something is holding the door open.
THE ICE CUBES ARE TOO SMALL	<ul style="list-style-type: none"> • Smaller cube size level is selected. • The water supply valve is blocked. 	<ul style="list-style-type: none"> • Select a bigger size for the ice cubes. • Call a plumber to clean the valve.
THE DOORS ARE HARD TO OPEN	<ul style="list-style-type: none"> • The gaskets are dirty or sticky. • The door opens itself as soon as you close it. 	<ul style="list-style-type: none"> • Clean the gaskets and surface that they are in contact with. Use a damp cloth with paraffin also apply over the seal rings. • When you open the door, the warm air enters in the refrigerator. When this air is cooled down it occupies less volume and creates a vacuum effect. If it is difficult to open wait 5 minutes then check.
THE ICE MAKER DOES NOT WORK	<ul style="list-style-type: none"> • The ice maker is off. • The water supply is down or not plugged. • The freezer temperature is warm. • The ice cubes turn off the ice maker. 	<ul style="list-style-type: none"> • Turn the ice maker to the position on (I). • Read the section Connecting the Water Line. • Wait 24 hrs for the freezer to reach its ideal temperature. • Hand level the ice cubes.
THE TEMPERATURE IS TOO HOT OR THERE'S HUMIDITY FORMED INSIDE THE REFRIGERATOR	<ul style="list-style-type: none"> • The air vents are blocked. The cool air flows from freezer to the refrigerator and returns thru the vents that dive this section. • The doors open very easily. • The refrigerator control has not been adjusted for the room conditions. • A large amount of food is just been placed inside the refrigerator. • The food has not been well packed in each bin. • The doors haven't been closed correctly. • The weather is humid. • The auto-defrosting cycle is over. 	<ul style="list-style-type: none"> • With your hand find the vents and move and package that might be blocking the air flow. See the Multi Flow Section. • When the doors are opened the warm and humid air enters. To keep your refrigerator cool, take what you need once and you're your food organized to make it easy to find. Close the door a soon as you can. • Wait 24 hours to stabilize the temperature. If the temperature is cold or hot, move the control until the desire temperature is reached. • After adding food to the refrigerator this will warm up. It might take some hours for the refrigerator to reach its temperature. • Wrap the food evenly and before packing anything dry all the bins to avoid humidity. If it is necessary, pack the food according to the section Food Storage Guide. • Read Doors will not Close Correctly section. • In humid weathers, the air contains humidity, which introduces it self if the doors are opened. • It's normal that some water props get formed after the defrosting cycle is completed.

TABLA DE CONTENIDO

Garantía	1-2	Pantry	43
		Control de Humedad en los Cajones	43
		Cajones Optibin	44
Versión Inglés	3	Cubierta de los Cajones con Rejilla Interior	44
		Anaqueles de la Puerta	44
		Compartimento para Lácteos	45
Versión Español	29	Recipiente para Huevos	45
		Sección del Congelador	45
		Recipiente para Hielos	45
Instrucciones Importantes de Seguridad	30-31	DuraBase	45
Requerimientos de Conexión a Tierra	31	Separador Durabase	45
		Cajón de Alambre Deslizable	45
		Puerta Inclinable	45
Partes y Características	32		
		Cuidado de su Refrigerador	46-47
Instalación del Refrigerador	33	Para limpiar su Refrigerador	46
Desempaque	33	Exterior	46
Instalación	33	Interior	46
Instalación de la Cubierta Inferior	33	Puertas y Empaques (Sellos)	46
Cómo quitar y cambiar las		Partes Plásticas	46
Puertas del Refrigerador	34-37	Cubierta Trasera	46
Como retirar e instalar el Cajón Deslizable	37-38	Cómo cambiar las Bombillas (Focos)	46
Cierre y Alineación de Puertas	39	Interrupciones de Energía	47
		Cuidados durante las Vacaciones	47
		Cuidados cuando Usted se muda	47
Uso del Refrigerador	40-46		
Circulación Apropriada del Aire	40	Acerca de la Fábrica de Hielo Automática	48
Multi Flow	40		
Alarma de la Puerta	40	Cómo conectar la Tubería de Agua	49-51
Ajuste de los Controles	40		
Cómo regular los Ajustes de los Controles	41	Guía de Solución de Problemas	52-55
Guía para Almacenar Alimentos	41		
Para guardar Alimentos Congelados	42		
Sección del Refrigerador	42		
Parrillas del Refrigerador	42-43		

INSTRUCCIONES IMPORTANTES DE SEGURIDAD

MENSAJES DE SEGURIDAD

Hemos incluido muchos mensajes importantes de seguridad en este manual. Lea y obedezca siempre todos los mensajes de seguridad.



Este es el símbolo de advertencia de seguridad. Este símbolo le llama la atención sobre peligros potenciales que pueden ocasionar la muerte o una lesión a usted y a los demás, así como daños al producto. Todos los mensajes de seguridad irán a continuación del símbolo de advertencia de seguridad y de la palabra "PELIGRO", "PRECAUCIÓN" o "ADVERTENCIA". Estas palabras significan:

PELIGRO

Si no sigue las instrucciones de inmediato, usted puede morir o sufrir una lesión grave.

ADVERTENCIA

Si no sigue las instrucciones de inmediato, usted puede morir o sufrir una lesión grave.

PRECAUCIÓN

Si no sigue las instrucciones, usted puede morir o sufrir una lesión grave. Indica una situación de peligro inminente la cual, si no se evita, puede resultar en daños menores o daños al producto.

Todos los mensajes de seguridad le dirán el peligro potencial, le dirán cómo reducir las posibilidades de sufrir una lesión y lo que puede suceder si no se siguen las instrucciones.

ADVERTENCIA

Para reducir el riesgo de fuego, choque eléctrico o lesiones a personas, se deben tomar las siguientes medidas de precaución:

- NUNCA desconecte su refrigerador jalando del cable, siempre tome firmemente el enchufe y desconéctelo directamente de la fuente de poder.
- Repare o reemplace inmediatamente todos los cables de servicio que se han dañado. No use cables que tengan fracturas o daños por abrasión a lo largo del cable o en el enchufe.
- Cuando mueva su refrigerador, tenga cuidado de no pisar el cable de alimentación con los rodillos del aparato.
- **NO** almacene o use gasolina u otros combustibles (líquidos o vapores) en los alrededores de éste u otro electrodoméstico.
- **NO** permita que los niños suban, cuelguen o trepen las puertas o parrillas del refrigerador. Pueden lesionarse y dañar el producto.
- Mantenga sus dedos alejados de aquellas áreas en las que se pueden lesionar tales como las áreas de cierre de puertas, bisagras y estantes. Tenga cuidado al cerrar las puertas cuando los niños se encuentran cerca.
- Desenchufe el refrigerador antes de limpiarlo o hacer cualquier reparación. **NOTA:** Le recomendamos realizar cualquier clase de servicio con una persona calificada.
- Antes de cambiar una bombilla quemada, desenchufe el refrigerador o desconecte el circuito de poder para evitar el contacto con un filamento vivo (la bombilla se puede romper mientras se cambia). **NOTA:** Ajustando los controles a la posición de OFF (apagado) no desconecta la energía del circuito de la iluminación.
- Para su seguridad, este producto debe estar conectado a tierra de manera apropiada. Haga revisar su circuito de electricidad por un electricista calificado para asegurar una buena conexión a tierra.

• No guarde botellas en el compartimento del congelador, ya que podrían estallar al congelarse y causar daños.

• Lea todas las instrucciones antes de utilizar el producto. Utilice el producto únicamente para el fin que se describe en esta guía.

• Una vez que el refrigerador se encuentra en operación, no toque con las manos mojadas las superficies frías del congelador, la piel puede adherirse a las superficies.

• En aquellos refrigeradores con fábrica automática de hielo, evite contacto con las partes móviles del mecanismo expulsor o con el mecanismo de calentamiento que libera los cubos, **NO** coloque sus dedos o manos en ellos cuando el refrigerador está conectado.

• **NO** vuelva a congelar los alimentos que hayan sido descongelados previamente. El Departamento de Agricultura de los Estados Unidos, en su Boletín de Casas y Jardines No. 69 establece que:

"..Ud. puede volver a congelar los alimentos que han sido congelados previamente si contienen cristales de hielo o éstos continúan fríos – de bajo de 40 °F (4 °C)".

"...La carne molida, percederos o pescado que estén descoloridos o sin olor no deben ser congelados ni ingeridos. La nieve derretida tampoco debe consumirse. Si el olor o color de la comida es cuestionable, deshágase de ella, puede ser peligroso".

"Descongelar parcialmente o volver a congelar los alimentos reduce la calidad de éstos, especialmente las frutas, vegetales y alimentos preparados. La calidad de las carnes rojas puede mantenerse mayor tiempo que los demás alimentos. Use los productos que vuelva a congelar tan pronto como sea posible para mantener su calidad".

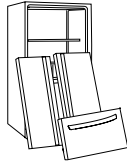
GUARDE ESTAS INSTRUCCIONES

⚠ PRECAUCIÓN

Este aparato no está destinado para su uso por las personas (incluidos niños) con capacidad física, sensorial o mental reducida, falta de experiencia y conocimientos, a menos que se les haya dado la supervisión o instrucción en relación con el uso del aparato por la persona responsable de su seguridad. Los niños deben ser supervisados para asegurar que no jueguen con el aparato.

⚠ PELIGRO: LOS NIÑOS PUEDEN QUEDAR ATRAPADOS

El quedar atrapado y asfixia en niños no es un problema del pasado. Los refrigeradores tirados y abandonados son un peligro, aún si van a quedar ahí "por unos cuantos días". Si Ud. está por deshacerse de su refrigerador viejo, por favor siga las siguientes instrucciones para prevenir accidentes.



ANTES DE TIRAR SU REFRIGERADOR O CONGELADOR CUANDO YA NO SE USE:

- Saque las puertas
- Deje los estantes en su lugar, así los niños no pueden meterse en ellos con facilidad.

CÓMO DESECHAR LOS CFC

Su refrigerador viejo tiene un sistema de refrigeración que utiliza CFC (clorofluorocarbonos). Los CFC afectan a la capa estratosférica de ozono.

refrigerante CFC sea eliminado de la manera apropiada por personal calificado. Si Ud. libera intencionalmente el refrigerante con CFC puede estar sujeto a multas o prisión de acuerdo a las legislaciones ambientales vigentes.

Si Ud. tira su refrigerador viejo, asegúrese que el

REQUERIMIENTOS DE CONEXIÓN A TIERRA

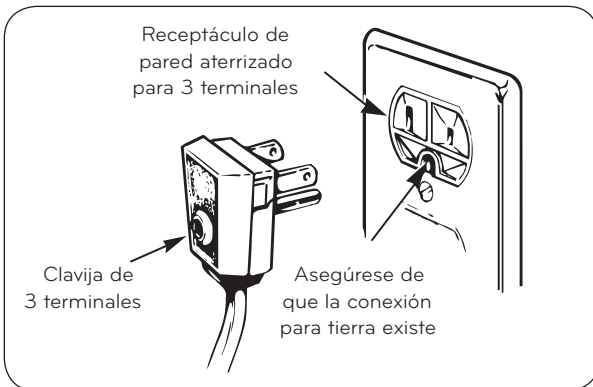
IMPORTANTE: Lea con atención lo siguiente.

CONEXIÓN

⚠ ADVERTENCIA

PELIGRO DE CHOQUE ELÉCTRICO

PARA SU SEGURIDAD PERSONAL, este aparato debe estar aterrizado apropiadamente. Haga revisar por un personal experto sus contactos de pared para asegurarse de que el enchufe está conectado a tierra apropiadamente.



MÉTODO DE CONEXIÓN A TIERRA RECOMENDADO

Su refrigerador debe estar siempre conectado a un circuito propio que esté conectado adecuadamente a tierra. La alimentación de energía debe ser únicamente de 115V, 60 Hz, C.A. y con fusibles de 15 ó 20 A. Esto brinda el mejor desempeño y previene de las sobrecargas de energía que pueden provocar un incendio debido al sobrecalentamiento de los cables.

Se recomienda que se utilice un circuito separado para este producto, así como un receptáculo que no pueda ser desconectado con un interruptor. No utilice un cable

de extensión.

Es su responsabilidad y obligación reemplazar aquellos receptáculos de 2 terminales por uno de 3 terminales conectado debidamente a tierra.

Bajo ninguna circunstancia corte o arranque la tercera terminal (tierra) del enchufe.

NOTA: Antes de instalar, limpiar o cambiar los focos, desconecte el refrigerador. Cuando haya terminado, vuelva a conectar el refrigerador y ajuste el control (de termostato, refrigerador o congelador, según su modelo) a la posición deseada.

USO DE CABLES DE EXTENSIÓN

Nosotros le recomendamos que no utilice los cables de extensión. Sin embargo, si usted desea utilizar un cable de extensión, es absolutamente necesario que se encuentre en la lista de UL (en los Estados Unidos) o en la lista de la CSA (en Canadá), tenga 3 terminales y que soporte una carga de energía de 15 A (mínimo) y 120 V.

El uso de un cable de extensión incrementará el área que su refrigerador necesita en la parte de atrás.

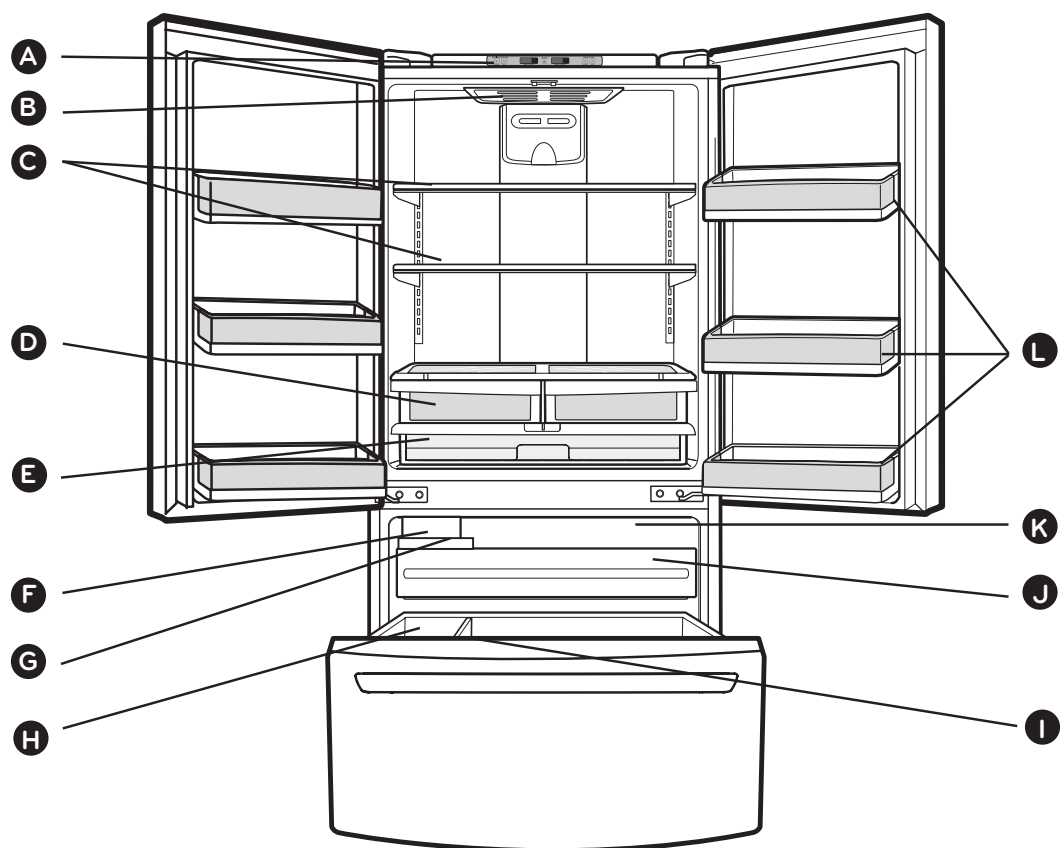
⚠ ADVERTENCIA

REEMPLAZO DE CABLE DE CORRIENTE

Si el cordón de alimentación se daña, éste debe ser reemplazado por el fabricante, por nuestro centro de servicio o personal calificado por LG para evitar algún riesgo.

PARTES Y CARACTERÍSTICAS

Modelo Drawer (Cajón Deslizable)



Use esta sección para que Ud. se familiarice con las partes y características de su nuevo refrigerador.

NOTA: Esta guía cubre distintos modelos. Su refrigerador puede tener algunas o todas las características y partes que se muestran en la siguiente lista. Algunas de las localizaciones de las partes tal vez no concuerden con su modelo.

- | | |
|--|-----------------------------------|
| A Control Digital del Sensor | H Durabase |
| B Lámpara del Refrigerador | I Separador Durabase |
| C Parrillas del Refrigerador | J Cajón Deslizable |
| D Cajón para Vegetales
Mantiene frescos y crujientes
los vegetales y frutas | K Lámpara del Congelador |
| E Pantry * | L Anaqueles de las Puertas |
| F Fábrica de Hielos Automática * | |
| G Recipiente para Hielo* | |

* En algunos modelos

INSTALACIÓN DEL REFRIGERADOR

⚠ ADVERTENCIA

PELIGRO DE PESO EXCESIVO

Use la ayuda de dos o más personas para mover e instalar el refrigerador, no seguir estas instrucciones puede ocasionar lesiones en la espalda u otras partes del cuerpo.

DESEMPAQUE

Antes de instalar su refrigerador, despegue y remueva las cintas y etiquetas temporales. No retire aquellas etiquetas que muestren advertencias, el modelo y número de serie o la ficha técnica del producto que se encuentra en la parte posterior del refrigerador.

Para quitar los residuos de cinta o adhesivo, frote bien con sus dedos un poco de detergente líquido para vajillas encima del adhesivo. Limpie con agua tibia y seque. No utilice instrumentos filosos, alcohol para fricciones, líquidos inflamables o productos de limpieza abrasivos para quitar la cinta adhesiva o goma. Estos productos pueden dañar la superficie de su refrigerador. Para obtener más información, vea la sección **"Instrucciones Importantes de Seguridad"**. Las parrillas vienen instaladas en su posición de fábrica acomódelas de acuerdo a sus necesidades de espacio.

Cómo mover su refrigerador:

Su refrigerador es muy pesado, cuando lo mueva para limpiarlo o darle servicio, proteja el piso. Al mover el refrigerador, siempre tire directamente hacia fuera. Cuando lo trate de mover, no lo menee de lado a lado ni lo haga "caminar" ya que podría dañar el piso.



⚠ ADVERTENCIA

PELIGRO DE EXPLOSIÓN



Mantenga los materiales y vapores inflamables (tales como gasolina) alejados del refrigerador. No seguir esta instrucción puede ocasionar la muerte, explosión o incendio.

INSTALACIÓN

1. Evite colocar la unidad cerca de fuentes de calor, rayos de sol directos o humedad.
2. Para evitar la vibración, la unidad debe estar nivelada. Si se requiere, ajuste los tornillos niveladores para compensar el desnivel del suelo. El frente debe de estar ligeramente más alto que la parte posterior para facilitar el cierre de las puertas. Los tornillos de nivelación pueden girar fácilmente levantando un poco el refrigerador de la parte frontal, gire los tornillos en favor de las manecillas del reloj () para levantar la unidad o en contra de las manecillas () para bajarla.

3. Instale el refrigerador en un área que se encuentre entre 55°F (13°C) y 110° F (43°C). Si la temperatura se encuentra fuera de estos rangos, el enfriamiento del aparato puede afectarse.

- ⚠ **PRECAUCIÓN:** Evite colocar el refrigerador cerca de fuentes de energía, luz solar o humedad.

UNA VEZ INSTALADO

1. Limpie cuidadosamente su refrigerador y remueva el polvo acumulado durante el envío.
2. Instale los accesorios tales como el recipiente para hielos, cajones, parrillas, etc., en los lugares apropiados. Estos se encuentran empacados para prevenir daños durante el transporte.
3. Deje su refrigerador encendido de 2 a 3 horas antes de guardar alimentos. Verifique el flujo de aire frío en el compartimento del congelador para asegurarse de que la unidad enfría apropiadamente. Su refrigerador ahora está listo para usarse.

⚠ ADVERTENCIA:

- Tenga cuidado cuando trabaje con la bisagra, la cubierta de la base, los topes, etc., puede lastimarse.
- No ponga sus manos o herramientas en las salidas de aire, la cubierta de la base o en la parte de abajo del refrigerador, puede lastimarse o recibir un choque eléctrico.

INSTALACIÓN DE LA CUBIERTA INFERIOR

Desinstalación de la Cubierta Inferior:

1. Remueva los 2 tornillos de la parte frontal inferior de su refrigerador (ver Figura A).
2. Retire la cubierta.

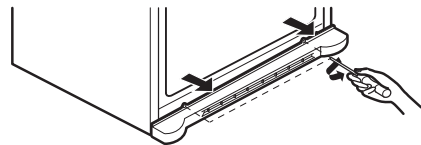


Figura A

Instalación de la Cubierta Inferior:

1. Coloque la cubierta inferior en su posición correcta e instale los 2 tornillos (ver Figura B).

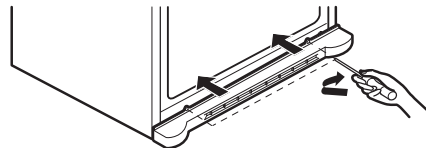
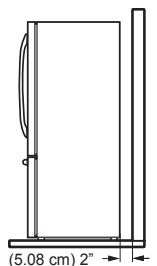


Figura B

A una distancia adecuada de elementos cercanos

Por favor, mantenga el refrigerador a una distancia prudente de otros objetos. Una distancia demasiado reducida entre la unidad y elementos cercanos puede ocasionar reducción de la capacidad de congelación y aumento del consumo de electricidad.



INSTALACIÓN DEL REFRIGERADOR

CÓMO QUITAR Y CAMBIAR LAS PUERTAS DEL REFRIGERADOR

Para mover el refrigerador a través de la puerta de una casa, puede que sea necesario quitar las manijas de las puertas del refrigerador y congelador.

IMPORTANTE: Antes de empezar, apague el refrigerador y desconéctelo. Quite la comida y los anaqueles de las puertas.

HERRAMIENTAS QUE USTED PUEDE NECESITAR

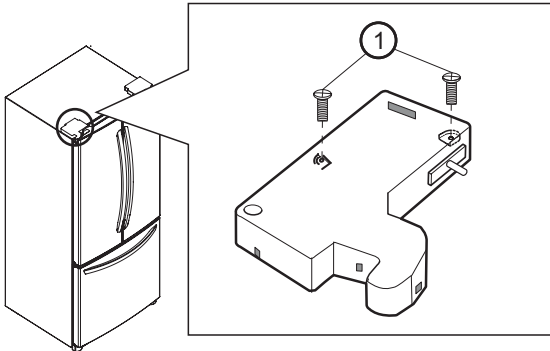


1. Para Quitar las puertas del Refrigerador

NOTA: La apariencia de la manija, bisagra y cubierta de la bisagra puede variar. Así mismo, la cantidad de tornillos usados en el ensamble de la cubierta superior puede variar de acuerdo a las especificaciones de su producto. LA VARIACIÓN DE LA APARIENCIA NO AFECTA LA INSTALACIÓN O DESINSTALACIÓN DE LAS PUERTAS.

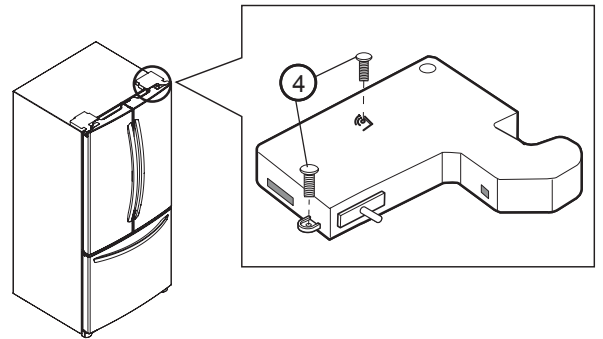
Puerta Izquierda

- Con el destornillador Phillips, afloje los dos tornillos de la cubierta superior (1), después de esto, retírela.

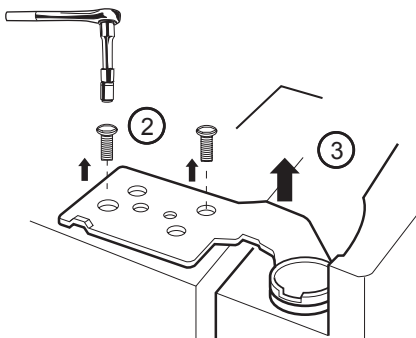


Puerta Derecha

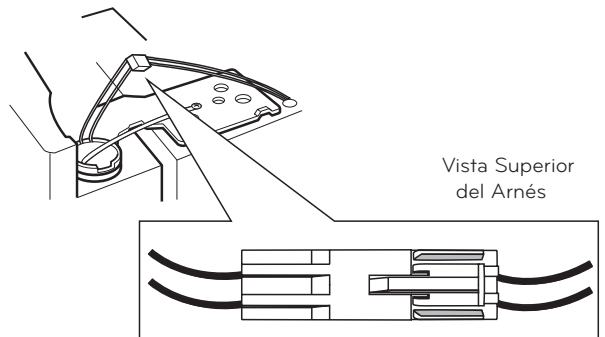
- Afloje los dos tornillos de la cubierta superior (4) y retírela.



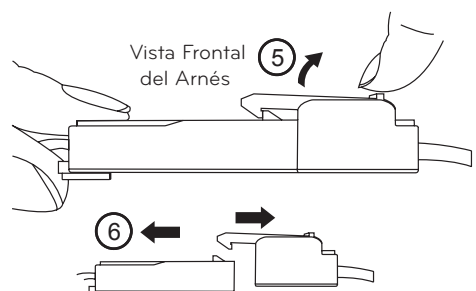
- Con la llave tubular de 10 mm, afloje los dos pernos localizados en la bisagra (2) y retírela (3).



- Desconecte el arnés del cable, jalando hacia arriba el gancho localizado en la parte superior de éste (5) y separe ambas partes del arnés (6).

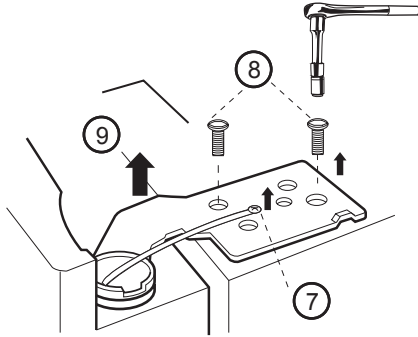


- Coloque la puerta con la cara interior hacia arriba sobre una superficie en la que no se raye.

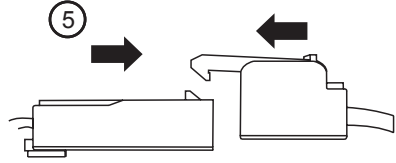


INSTALACIÓN DEL REFRIGERADOR

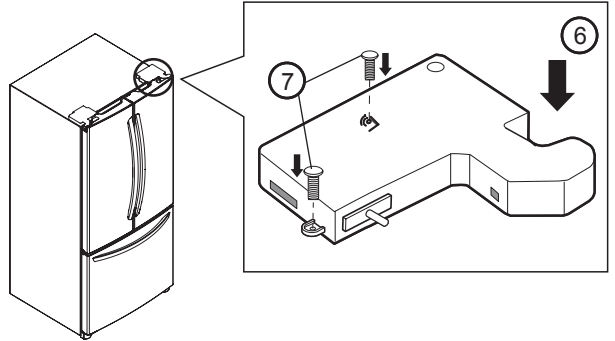
- Afloje el tornillo de tierra (7) y los dos pernos (8) que se encuentran sobre la bisagra, después de esto, levante la bisagra y quítela (9).



- Conecte el arnés del cable (5).



- Coloque la cubierta de la bisagra (6) e instale los dos tornillos (7). Asegúrese que la puerta está bien ensamblada.

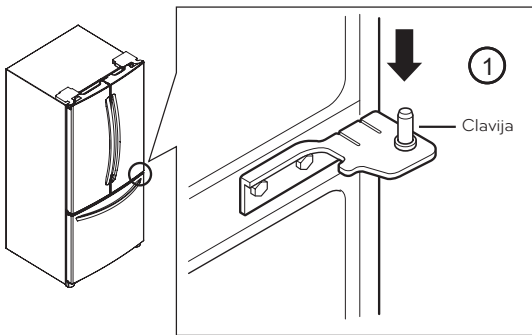


- Retire la puerta y coloque la cara interior hacia arriba para evitar que se raye.

2. Para Instalar las Puertas del Refrigerador

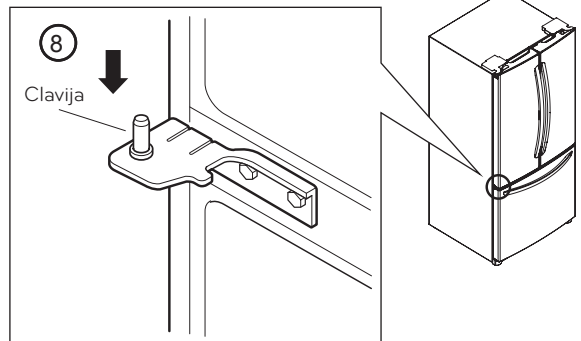
Puerta Derecha

- Tome la puerta y deslícela sobre la clavija de la bisagra (1).

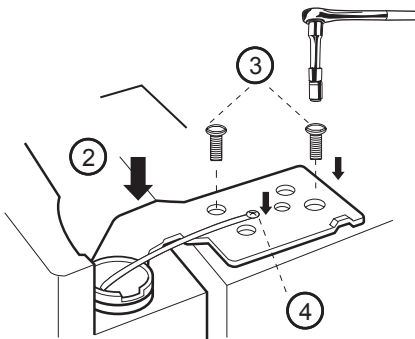


Puerta Izquierda

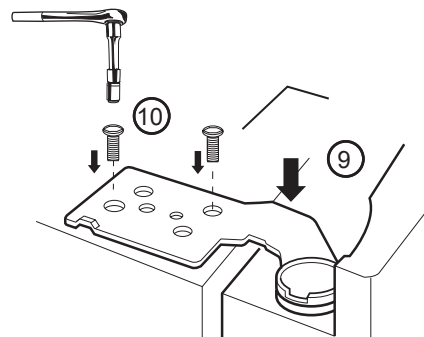
- Tome la puerta y deslícela sobre la clavija de la bisagra (8).



- Coloque la bisagra en su posición original (2), ensamble los dos pernos (3) y el tornillo de tierra (4).

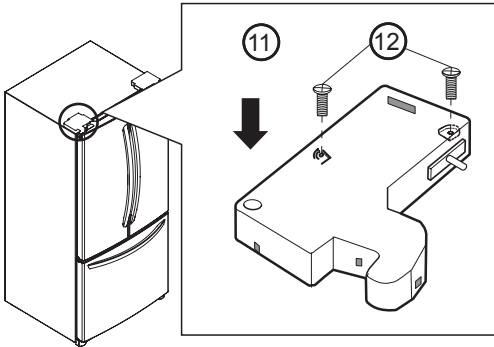


- Coloque la bisagra en su posición original (9) y ensamble los dos pernos (10).



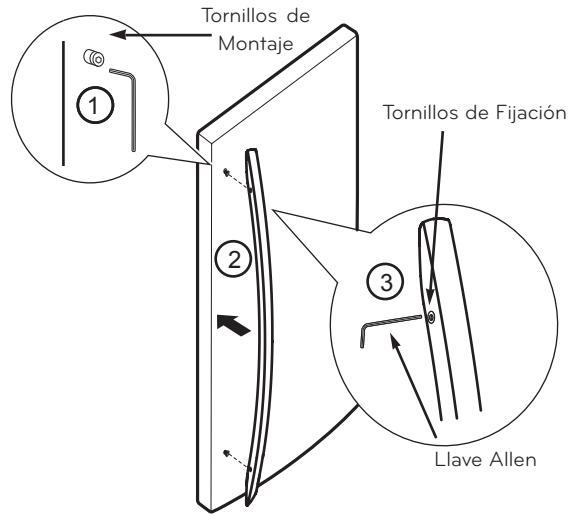
INSTALACIÓN DEL REFRIGERADOR

- Coloque la cubierta de la bisagra (11) e instale los dos tornillos (12). Compruebe que la puerta esté bien instalada.



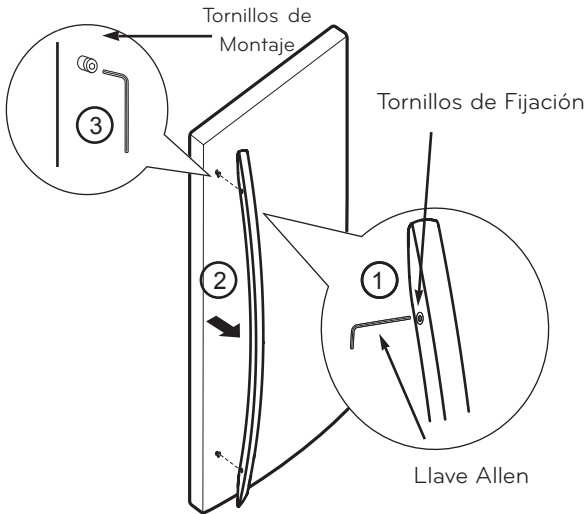
4. Para instalar la manija del Refrigerador

- Instale los tornillos de montaje sobre la puerta (1), coloque la manija sobre ellos (2) y por último apriete los tornillos de fijación (3).



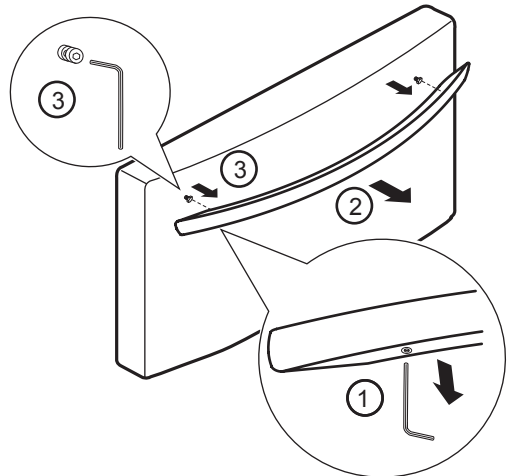
3. Para quitar la manija del Refrigerador

- Afloje los tornillos de fijación (1) con una llave Allen de 3/32" y retire la manija (2).
- Retire los tornillos de montaje de la puerta con una llave Allen de 1/4" (3).



5. Para quitar la manija del Congelador

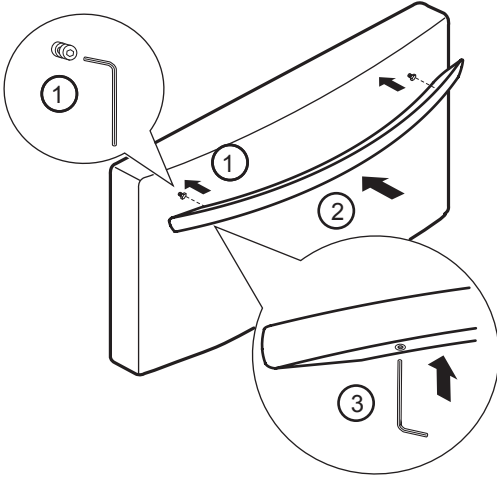
- Con una llave Allen de 3/32", afloje los dos tornillos de fijación (1) ubicados debajo de la manija, retírela (2) y remueva los tornillos de montaje de la puerta (3) con una llave Allen de 1/4".



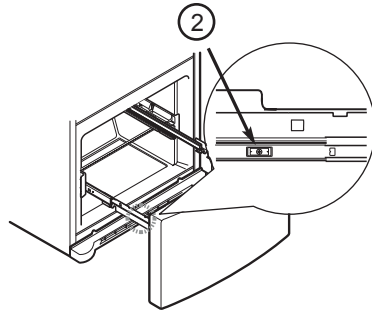
INSTALACIÓN DEL REFRIGERADOR

6. Para instalar la manija del Congelador

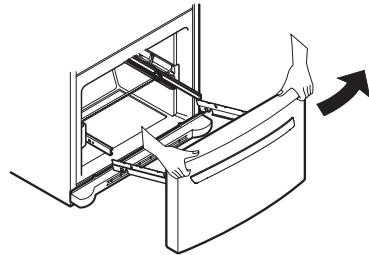
- Instale los dos tornillos de montaje sobre la puerta (1), coloque la manija sobre ellos (2) y por último apriete los tornillos de fijación (3).



- Retire los tornillos (2) de ambos lados de la guía.



- Con ambas manos, sujete los dos lados de la puerta y tire hacia arriba para separarla.

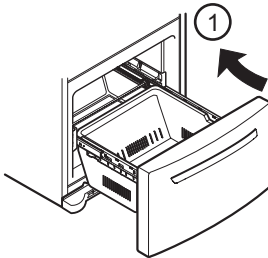


CÓMO RETIRAR E INSTALAR EL CAJÓN DESLIZABLE

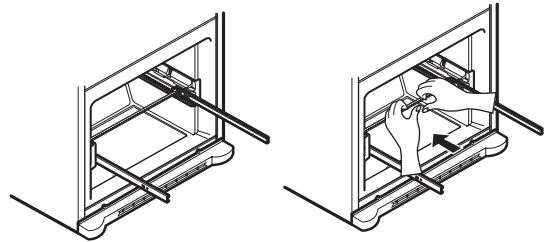
IMPORTANTE: Para evitar una posible lesión, daño al producto o a la propiedad, Ud. necesitará dos personas para ejecutar las siguientes instrucciones:

1. Para Retirar el Cajón Deslizable

- Abra el cajón al máximo y jálelo. Retire la canasta inferior (1), empujándola un poco hacia atrás y levántela del sistema de rieles.



- Con ambas manos, sujete el centro de la barra y empuje hacia dentro para que las dos guías encajen a la vez.



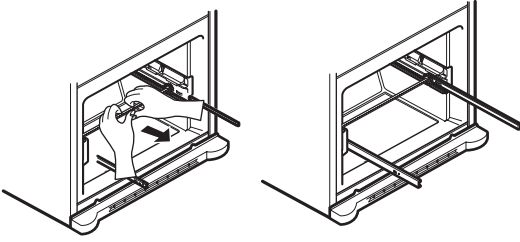
⚠ PRECAUCIÓN: Cuando Ud. quite el cajón, no sostenga la manija. Si se sale, podría causar lesiones personales.

⚠ PRECAUCIÓN: Al colocar el cajón en el piso, tenga cuidado de no dañar el piso y lesionarse el pie con las orillas afiladas en el lado de la bisagra.

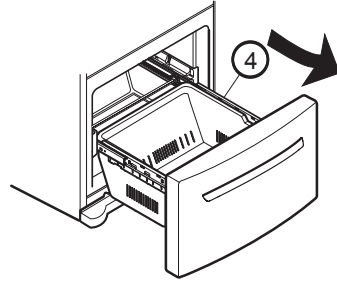
INSTALACIÓN DEL REFRIGERADOR

2. Instalación del Cajón Deslizable

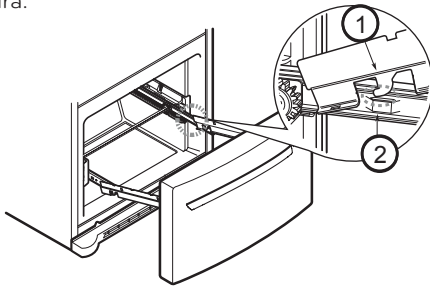
- Con ambas manos, sujete el centro de la barra y tire hacia fuera para que las dos guías salgan a la vez.



- Con el cajón extraído en toda su extensión, inserte primero la parte frontal de la canasta sobre el ensamble del riel y después la parte posterior (4).



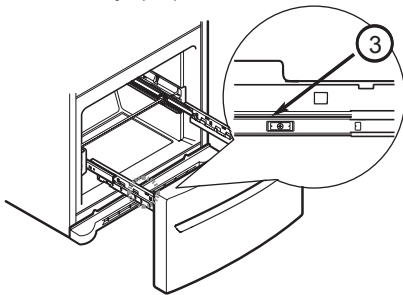
- Monte el conector de la puerta (1) a la percha de la guía (2), empiece por la parte de atrás y después ensamble la parte de adelante, tal como lo muestra la figura.



⚠ ADVERTENCIA: Para prevenir riesgos de atrapamiento y sofocación accidental de niños y mascotas, NO les permita jugar dentro del cajón.

⚠ ADVERTENCIA: NO se pare ni se siente sobre la puerta del congelador.

- Empuje hacia abajo y apriete los tornillos (3).



INSTALACIÓN DEL REFRIGERADOR

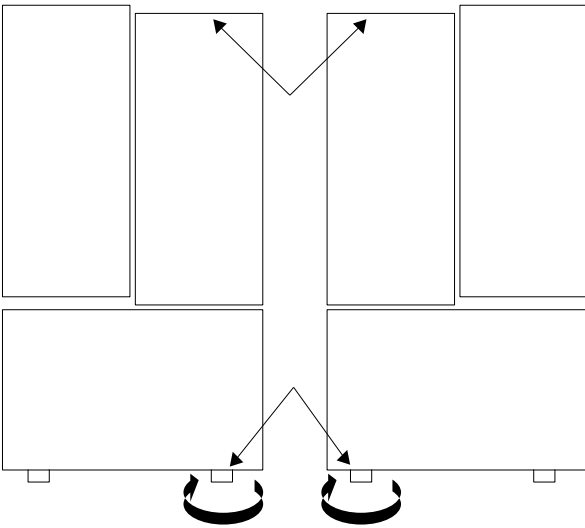
CIERRE Y ALINEACIÓN DE PUERTAS

Nivelación

Su refrigerador cuenta con dos tornillos niveladores: uno en el lado izquierdo y otro en el lado derecho. Si su refrigerador se encuentra inestable o si Ud. desea que las puertas cierren más fácil, ajuste la inclinación del refrigerador realizando lo siguiente:

1. Conecte el refrigerador a un enchufe de 3 terminales. Mueva el refrigerador a su posición final.
2. Quite la cubierta inferior (Haga referencia a la sección "Instalación Cubierta Inferior").
3. Use un desarmador plano para ajustar los tornillos niveladores, en el sentido de las manecillas del reloj para elevar y en contra de las manecillas del reloj para bajarlo. Se deberán dar las vueltas necesarias para ajustar a la inclinación deseada.

NOTA: Para facilitar la nivelación, haga que alguien levante un poco la parte superior del refrigerador; esto quitará algo de peso sobre los tornillos niveladores.



4. Abra ambas puertas y asegúrese que cierran con facilidad. Si no, incline un poco más el refrigerador hacia atrás, girando los tornillos niveladores a favor de las manecillas del reloj. Esto puede tomar varias vueltas, y deberá girar las mismas veces en ambos lados.

5. Verifique usando un nivelador.

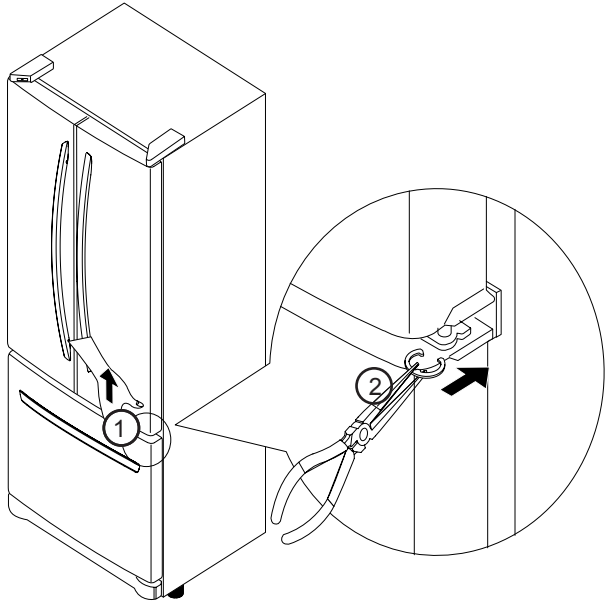
6. Coloque la vista inferior.

NOTA: Su refrigerador nuevo está diseñado de forma única con dos puertas para alimento fresco. Cada puerta se puede abrir o cerrar independientemente una de otra. Debe ejercer una ligera presión en las puertas para conseguir que se cierren totalmente.

Alineación de Puertas

Si el espacio entre sus puertas es desigual, siga las siguientes instrucciones para la alineación de las puertas:

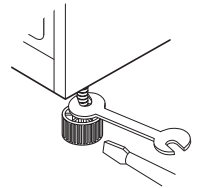
1. Con una mano, levante la puerta que desea en la bisagra media. Quite la cubierta de la bisagra superior.
2. Con la otra mano, use los alicates para insertar el anillo de retención como se muestra en la figura.
3. Inserte los anillos de retención adicionales hasta que las puertas se alineen (Se suministran 3 anillos de retención por unidad). Si el espacio entre las puertas no está parejo, siga estas instrucciones para alinearlas.



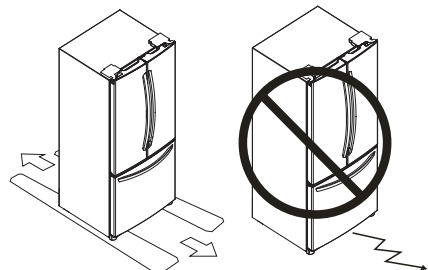
Cuando mueva su refrigerador

Nota: Su refrigerador es muy pesado. Cuando mueva el refrigerador para limpiarlo o darle servicio, asegúrese de seguir las siguientes instrucciones.

1. Ajuste los tornillos niveladores hacia arriba.



2. Cubra el piso con cartón para evitar dañar el piso.
3. Siempre tire del refrigerador directamente hacia afuera. No lo menee de lado a lado ni lo haga "caminar" ya que podría dañar el piso.



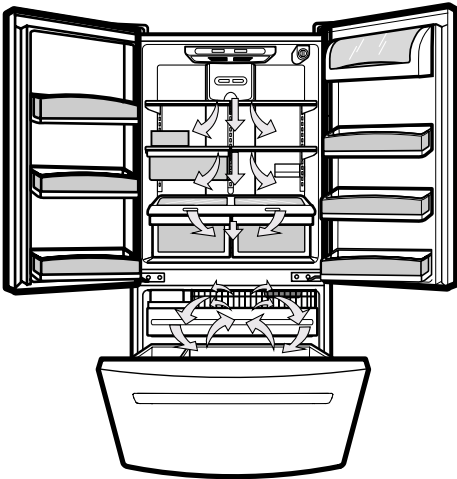
USO DEL REFRIGERADOR

CIRCULACIÓN APROPIADA DEL AIRE

Para obtener temperaturas estables, el aire debe fluir entre las secciones del congelador y refrigerador. Como se muestra en la ilustración de abajo, el aire frío entra a través de la parte inferior y circula hacia arriba, este aire regresa por debajo del piso del congelador y el resto del aire entra a la sección del refrigerador a través de la ventila superior.

MULTI FLOW

- El ventilador de enfriamiento es más poderoso y efectivo que otros. Esto se puede notar considerablemente cada vez que se introduce comida al compartimento del refrigerador.
- Si el empaque esta dañado, se introduce agua u otras sustancias a las ventilas, esto provocará que la eficiencia disminuya.



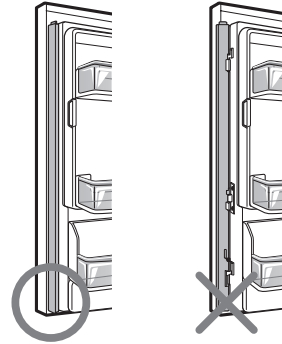
No bloquee ninguna de estas ventilas con paquetes de comida. Si las ventilas se bloquean, el flujo de aire se interrumpe, lo que puede ocasionar problemas de humedad.

IMPORTANTE: Debido a que el aire circula entre ambas secciones del refrigerador, los olores pueden transferirse fácilmente. Ud. debe limpiar ambas secciones para eliminar olores. Para prevenir la transferencia de olores o resequedad en los alimentos, cubra adecuadamente la comida. (Para mayores detalles, vea la Sección "Guía para Almacenar Alimentos").

ALARMA DE LA PUERTA

Con esta característica usted escuchará una alarma cuando la puerta del congelador o del refrigerador se encuentre abierta por más de 1 minuto. Estos tonos se repiten cada 30 segundos. Esta alarma es cancelada cuando la puerta es cerrada correctamente.

TENGA CUIDADO AL CERRAR LA PUERTA



⚠ ADVERTENCIA

Para reducir el riesgo de arañazos, asegúrese de que el exterior de la puerta está siempre plegado.

AJUSTE DE LOS CONTROLES

- Su refrigerador cuenta con dos controles que le permiten regular la temperatura en los compartimentos del refrigerador y congelador.
- Primero ajuste el CONTROL DEL REFRIGERADOR y el CONTROL DEL CONGELADOR a la posición del número "4". Deje estos parámetros durante 24 horas (un día) para estabilizar el refrigerador. Después ajuste las temperaturas de los compartimentos a su gusto.
- **Control del Refrigerador: Posición 1 a 7 (32 °F a 47 °F ó 0 °C a 8 °C)**

A mayor valor de ajuste, el compartimento del refrigerador estará mas frío.



- **Control del Congelador: Posición 1 a 7 (-6 °F a 9 °F ó -21 °C a -13 °C)**

Cuando el valor de ajuste sea mayor, el congelador se encontrará más frío. Sin embargo, el compartimento del refrigerador estará menos frío debido a que fluye menor cantidad de aire frío.

• Ice Plus

Presione el botón Ice Plus. El LED se encenderá Esta función permanecerá activada durante 24 horas, lo que intensificará la velocidad de enfriamiento del congelador e incrementará la producción de hielo.



USO DEL REFRIGERADOR

CÓMO REGULAR LOS AJUSTES DEL CONTROL

Antes de introducir alimentos a su refrigerador, deje que éste se enfríe primero, dejando pasar 24 horas desde el momento en que usted conecta el refrigerador. El ajuste medio indicado en la sección anterior corresponde a un enfriamiento normal de un refrigerador. Los controles han sido ajustados de manera correcta, de tal forma que la leche y jugo se encuentran tan fríos como usted lo desea y los helados (mantecados) tienen una consistencia firme.

El control del refrigerador funciona como un termostato (para las secciones del refrigerador y congelador). Mientras más alto se encuentre el ajuste, mayor será el tiempo de operación del compresor para mantenerlas temperaturas más frías. El control del congelador ajusta el flujo de aire frío del congelador hacia el refrigerador.

Si Ud. necesita ajustar las temperaturas en el refrigerador o congelador, comience ajustando el refrigerador.

Espere 24 horas antes de realizar éste ajuste para verificar la temperatura del congelador. Si ésta se encuentra tibia o muy fría, entonces ajuste el control del congelador.

Use los ajustes mostrados en la siguiente lista como guía para realizar cambios.

CONDICIÓN/RAZÓN:	AJUSTE RECOMENDADO:
<p>La sección del REFRIGERADOR se encuentra "tibia"</p> <ul style="list-style-type: none"> • Se abre la puerta frecuentemente • Se almacena gran cantidad de alimentos. • La temperatura ambiente es muy alta 	<p>Ajuste el control del REFRIGERADOR al siguiente dígito superior, espere 24 horas y verifique.</p>
<p>La sección del CONGELADOR se encuentra "tibia"/ Los hielos no se forman rápidamente</p> <ul style="list-style-type: none"> • Se abre la puerta frecuentemente • Se almacena gran cantidad de alimentos. Adding a large amount of food • La temperatura ambiente es muy baja (no se realizan ciclos suficientemente frecuentes). • Se utilizan hielos muy frecuentemente. • El difusor de aire se ha bloqueado con algunos artículos. 	<p>Ajuste el control del CONGELADOR al siguiente dígito superior, espere 24 horas y verifique.</p>
<p>La sección del REFRIGERADOR está muy fría</p> <ul style="list-style-type: none"> • El control no se encuentra ajustado a las condiciones deseadas. 	<p>Ajuste el control del REFRIGERADOR al siguiente dígito inferior, espere 24 horas y verifique.</p>
<p>La sección del CONGELADOR está muy fría</p> <ul style="list-style-type: none"> • El control no se encuentra ajustado a las condiciones deseadas. 	<p>Ajuste el control del CONGELADOR al siguiente dígito inferior, espere 24 horas y verifique.</p>

GUÍA PARA ALMACENAR ALIMENTOS

ARTÍCULOS	CÓMO ALMACENARLOS
<p>Alimentos Frescos</p>	<p>Guarde o envuelva los alimentos en recipientes cerrados o bolsas que eviten la entrada de aire y humedad. Esto evitará que los olores y sabores de los alimentos se transfieran dentro del refrigerador.</p>
<p>Mantequilla o Margarina</p>	<p>Mantenga la mantequilla cubierta en un recipiente o en el compartimento cerrado. Cuando desee almacenar una mayor cantidad, envuélvala y guárdela en el congelador.</p>
<p>Queso</p>	<p>Guarde el queso en su envoltura original hasta que se desee usarlo. Una vez abierto, envuélvalo firmemente con envoltura plástica o papel aluminio.</p>
<p>Leche</p>	<p>Limpie los cartones de leche; para un mejor almacenaje, colóquela en una charola interior, no en una de la puerta.</p>
<p>Huevos</p>	<p>Guárdelos en su empaque original o en el recipiente para huevos.</p>
<p>Fruta</p>	<p>Lave y deje secar la fruta. Después guárdela en bolsas de plástico dentro del refrigerador. No lave o enguaje las moras hasta que estén listas para consumirse. Las moras deben de ser seleccionadas y guardadas en su empaque original (si lo hay) o en una bolsa de papel a medio cerrar dentro de uno de los cajones.</p>
<p>Vegetales con Hojas</p>	<p>Quite la envoltura original y remueva de los vegetales aquellas partes sucias o descoloridas. Lávelos con agua fría y escúrralos. Colóquelos en una bolsa o contenedor plástico y guárdelos en el cajón de vegetales del refrigerador.</p>
<p>Vegetales con Piel (pimiento, zanahoria)</p>	<p>Colóquelos en bolsas o contenedores plásticos dentro del cajón de vegetales del refrigerador.</p>
<p>Pescado</p>	<p>Consuma los pescados y mariscos el mismo día que los adquirió.</p>
<p>Carne</p>	<p>Conserve la carne en su empaque original, el cual no debe permitir la entrada de aire y humedad. Si es necesario, envuelva de nuevo.</p>
<p>Sobras de Alimentos</p>	<p>Cubra las sobras con envoltura de plástico o papel aluminio. También puede usar contenedores plásticos con tapas firmes.</p>

USO DEL REFRIGERADOR

PARA GUARDAR ALIMENTOS CONGELADOS

NOTA: Para mayor información acerca de cómo preparar los alimentos para congelarlos así como para ver el tiempo que pueden ser almacenados, consulte una guía sobre congelamiento o una guía para cocinar.

Empaque

Una buena congelación depende de un empaque correcto. Cuando usted cierra y sella el empaque, no permitirá el acceso de aire y humedad a los alimentos. Un mal empaque resultará en la transmisión de olores y sabores dentro del refrigerador, así como la resequead de los alimentos congelados.

Recomendaciones de Empaque:

- Usar contenedores plásticos con tapas rígidas.
- Utilizar envases o jarras de superficies lisas.
- Empacar con papel aluminio de alta resistencia.
- Envolver con papel revestido con plástico.
- Utilizar plástico impermeable.
- Usar bolsas de plástico especiales para congelar.

Siga las instrucciones del empaque o recipiente para lograr un mejor congelamiento.

No utilice:

- Envolturas del pan.
- Recipientes de plástico que no sean de polietileno.
- Recipientes sin tapas rígidas o firmes.
- Papel encerado o plástico encerado.
- Envolturas delgadas o poco permeables.

Congelamiento

IMPORTANTE: No guarde botellas en el compartimento del congelador; ya que podrían estallar al congelarse y causar daños.

Su refrigerador no congelará rápidamente cualquier cantidad excesiva de alimentos. No introduzca una cantidad mayor de alimentos sin congelar de la que pueda congelarse dentro de 24 horas (no más de 2 a 3 libras ó ,91 kg a 1,36 kg de alimento por pie cúbico del espacio en el congelador). Deje el suficiente espacio en el congelador para que el aire circule alrededor de los paquetes. Deje suficiente espacio al frente para que la puerta cierre sin dificultad.

Los tiempos de almacenaje pueden variar de acuerdo a la calidad y tipo de comida, el tipo de empaque o envoltura usada (a prueba de humedad y aire) y a la temperatura de almacenaje. Los cristales de hielo formado dentro de un empaque cerrado son normales, lo que indica que la humedad de los alimentos y el aire contenido dentro del empaque se han condensado.

NOTA: Deje que los alimentos calientes se enfríen a temperatura ambiente durante 30 minutos, después envuélvalos con los métodos mencionados y congélelos. Al enfriar los alimentos calientes antes de introducirlos al congelador, Ud. ahorra energía.

⚠ ADVERTENCIA

PELIGRO DE SOFOCAMIENTO

Ventile adecuadamente la habitación cuando utilice hielo seco. El hielo seco es Dióxido de Carbono (CO₂) congelado. Cuando se evapora, éste emana Oxígeno, causando mareos, dolores de cabeza leves, inconciencia o muerte por sofocamiento Abra una ventana y no inhale estos vapores.

SECCIÓN DEL REFRIGERADOR

PARRILLAS DEL REFRIGERADOR

Las parrillas de su refrigerador se ajustan para cumplir con sus necesidades de almacenaje; su modelo puede incluir parrillas de vidrio o alambre. Almacenar alimentos similares juntos y ajustar las parrillas a diferentes alturas, hará más fácil la búsqueda de los artículos que Ud. necesita; esto también reducirá el tiempo que las puertas se encuentran abiertas, lo que ahorrará energía.

IMPORTANTE: No limpie los estantes de vidrio con agua caliente o tibia cuando éstos se encuentren fríos. Los estantes se pueden quebrar si se exponen a cambios bruscos de temperatura o impactos fuertes. Para su seguridad, los estantes están fabricados con vidrio templado para que al romperse se fracturen en muchos pedazos pequeños.

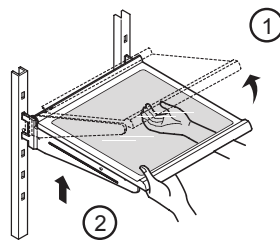
NOTA: Las parrillas de vidrio son pesadas. Tenga especial cuidado cuando las mueva de lugar para evitar impactos por caída.

Para Ajustar las Parrillas

Retire las parrillas de su posición de fábrica y póngalas en la posición que a Ud. le sea más útil.

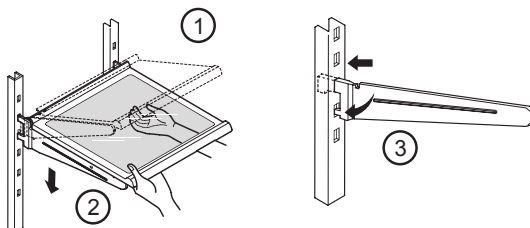
• Para Quitar una Parrilla

Incline la parrilla por la parte frontal en la dirección que se muestra (1) y levántela en la dirección (2) que indica la figura. Jale la parrilla hacia usted.



• Para Poner una Parrilla

Incline la parte frontal de la parrilla (1) y guíe los ganchos de la parrilla hacia los orificios a la altura que desee. Después baje el frente de la parrilla (2) para que los ganchos se inserten (3) en los soportes de la parrilla.



USO DEL REFRIGERADOR

NOTA: Asegúrese de que la parrilla está instalada de manera horizontal. Si no lo hace, puede provocar que la parrilla se caiga, lo que causaría el derrame o caída de alimentos.

Parrillas Deslizables (en algunos modelos)

Ud. puede deslizar algunas de las parrillas de su refrigerador hacia afuera o hacia adentro como a continuación se describe:

- Para deslizar la parrilla hacia afuera, júlela con cuidado hacia Ud., vea Figura A.
- Para deslizar la parrilla hacia adentro, empújela hasta que tope, vea Figura B.

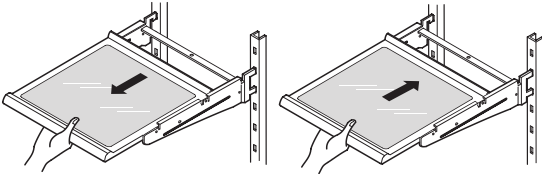


Figura A

Figura B

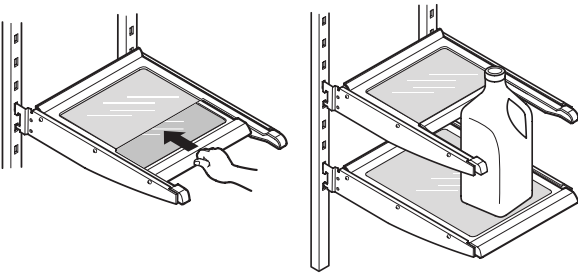
Para quitar una parrilla del marco de metal

- Jale la parrilla hasta que tope.
- Inclíne el frente de la parrilla hacia arriba y júlela un poco hacia adelante.
- Levante la parrilla de manera que se mueva a través de los orificios del soporte.

Vuelva a colocar la parrilla orden inverso.

Parrillas Funcionales (Parrillas Plegables, en algunos modelos)

Ud. puede guardar artículos altos tales como galones o botellas simplemente plegando la parrilla a la mitad.

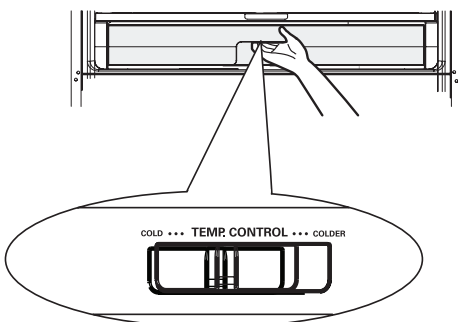


PANTRY (en algunos modelos)

Almacén de carne y comida fresca.

Ajuste el control a la temperatura deseada moviendo de COLD a COLDER.

Tire hacia adelante para abrir. Levante ligeramente y estire para removerlo.

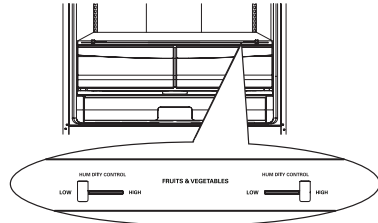


CONTROL DE HUMEDAD EN LOS CAJONES (en algunos modelos)

Ud. puede controlar la cantidad de humedad en los cajones, ajustando el control en cualquier posición entre "High" y "Low".

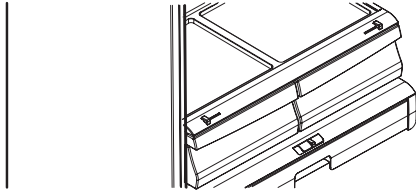
"High": Permite que el aire salga del cajón de vegetales para la mejor conservación de frutas.

"Low": Mantiene la mayor cantidad de aire en el cajón para la mejor conservación de vegetales.



Para quitar las rejillas de control de humedad

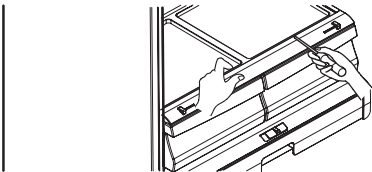
1. Deslice la rejilla hacia afuera hasta que tope.
2. Levante la parte frontal de la rejilla, jale para sacarla.
3. Vuelva a colocarla, deslizándola hacia adentro hasta pasar los topes.



⚠ PRECAUCIÓN: Tenga cuidado cuando maneje la cubierta de vidrio, ya que esta se puede soltar.

Para quitar el vidrio:

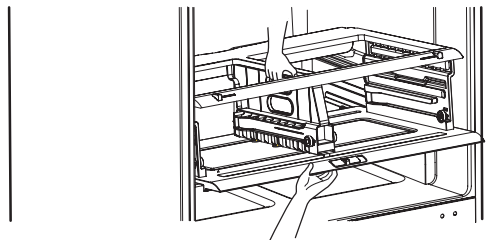
Utilizando un destornillador de cabeza plana, levante el vidrio desde la cubierta de los cajones de vegetales. Jale hacia arriba y después hacia afuera.



Para remover la cubierta de soporte de la rejilla de humedad

NOTA: Remueva el vidrio antes de quitar la cubierta de soporte de la rejilla de humedad.

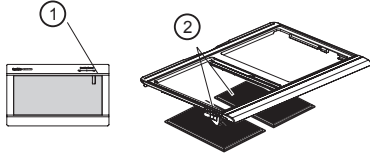
Mientras mantiene la cubierta con ambas manos (como se muestra en la figura). Tire hacia adelante y ligeramente levante la parte frontal.



USO DEL REFRIGERADOR

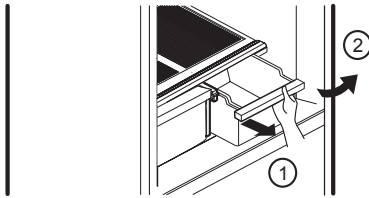
CAJONES OPTIBIN

Los cajones OptiBin mantienen más frescos los vegetales y frutas, permitiéndole controlar fácilmente la humedad dentro de los cajones. Los cajones Optibin incluyen 1) un control de humedad al frente del cajón y 2) un sistema que permite conservar o liberar la humedad.



Para Quitar el Cajón de Vegetales

- Deslice el cajón hacia afuera hasta que tope (1).
- Levante un poco la parte frontal y jale el resto para sacar el cajón en su totalidad (2).
- Vuelva a colocar el cajón, deslizándolo hacia adentro hasta pasar los topes.



CUBIERTA DE LOS CAJONES CON REJILLA INTERIOR (en algunos modelos)

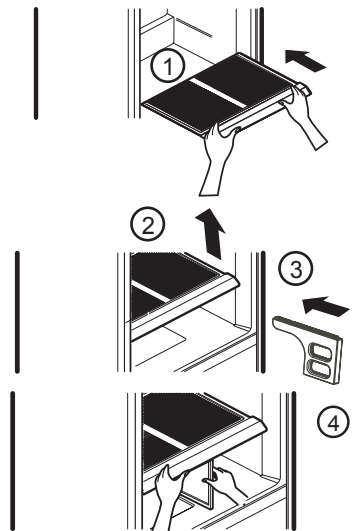
Para quitar la cubierta de los Cajones de Vegetales

- Quite ambos cajones (Vea "Para Quitar el Cajón de Vegetales").
- Sostenga el soporte (1) y jale la cubierta hacia arriba y después hacia fuera (2).



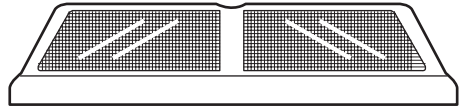
Para instalar la cubierta de los Cajones de Vegetales

- Coloque la cubierta sobre los soportes (1).
- Levante un poco la cubierta (2) e introduzca el soporte (3).
- Embone la parte inferior de la cubierta con la parte superior del soporte (4).

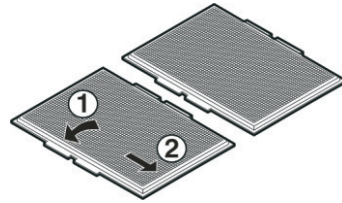


- ⚠ **PRECAUCIÓN:** Tenga cuidado cuando maneje la cubierta de vidrio, ya que esta se puede soltar.

Para quitar la Rejilla Interior

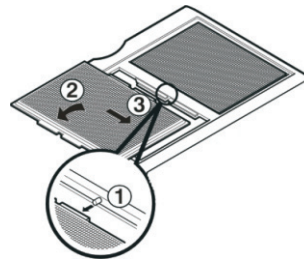


- Quite la cubierta (Vea la Sección "Para Quitar la Cubierta de los Cajones de Vegetales").
- Sostenga el vidrio y gire la cubierta de los cajones (1).
- Sostenga la rejilla y jale los lados de la cubierta de los cajones hacia fuera para quitarlas (2).



Para volver a colocar las Rejillas Interiores

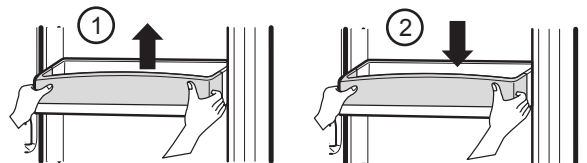
- Para cada rejilla, inserte la ceja central 1 (cerca de la cubierta de vidrio) y jale los lados de la cubierta para insertarla.



ANAQUELES DE LAS PUERTAS

Los anaqueles se pueden quitar para una mejor limpieza y ajuste.

- Para quitar el anaquel, levántelo y jale hacia afuera (1).
- Para colocar el anaquel, deslícelo sobre la guía deseada y empújelo hacia abajo hasta que tope.



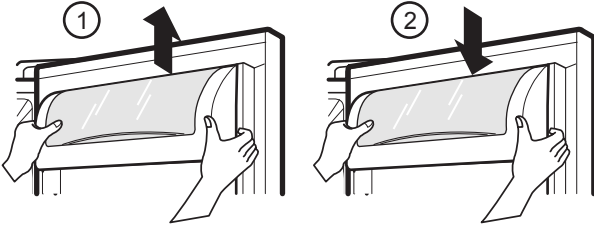
- ⚠ **PRECAUCIÓN:** NO permita que los niños jueguen con los anaqueles. Las esquinas filosas podrían lesionarlos.

- ⚠ **ADVERTENCIA:** Alguien puede resultar herido si los anaqueles no están firmemente ensamblados.

USO DEL REFRIGERADOR

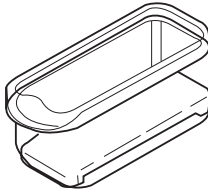
COMPARTIMENTO PARA LÁCTEOS

- Para quitar el compartimento para lácteos, levántelo y jale hacia afuera (1).
- Para volver a colocar el compartimento, deslícelo sobre la ubicación deseada y empújelo hacia abajo hasta que tope (2).



RECIPIENTE PARA HUEVOS (en algunos modelos)

Guarde el recipiente para huevos en una parrilla interior, no en un compartimento de la puerta.

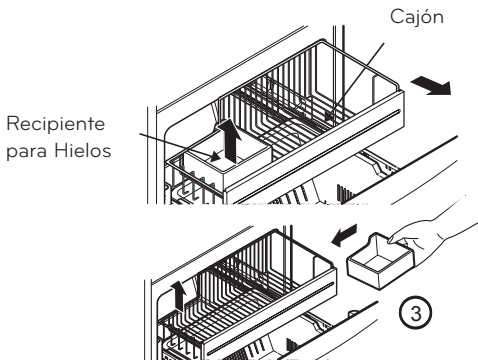


- ⚠ **PRECAUCIÓN:** No use el recipiente para huevos como un recipiente para guardar hielo en el compartimento del congelador. Si se congela, puede romperse fácilmente.

SECCIÓN DEL CONGELADOR

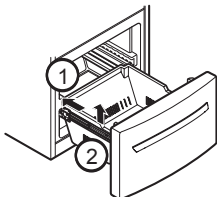
RECIPIENTE PARA HIELOS (en algunos modelos)

- Jale el cajón tanto como sea posible (1).
- Levante y extraiga con cuidado el recipiente para hielo (2).
- Extraiga el cajón tanto como sea posible y coloque el recipiente de hielo en la posición correcta (3).



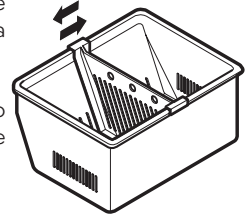
DURABASE (en algunos modelos)

- Para quitar la Durabase, empuje hacia atrás, levante la parte frontal de la durabase y jale para arriba (1).
- Para volver a colocar, inserte la Durabase en el ensamble del riel (2).



SEPARADOR DURABASE (en algunos modelos)

El separador de la Durabase permite organizar el área de la Durabase en dos secciones.

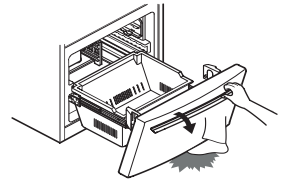


Para mover el separador, sólo deslícelo hacia la dirección que usted desee.

- ⚠ **ADVERTENCIA:** Existe suficiente espacio dentro para que los niños jueguen.
- ⚠ **ADVERTENCIA:** Para prevenir riesgos de atrapamiento y sofocación de niños y mascotas. NO les permita jugar dentro del cajón.

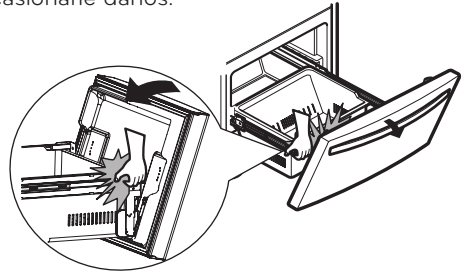
PUERTA INCLINABLE (en algunos modelos)

La puerta inclinable provee de un fácil acceso a los alimentos congelados.



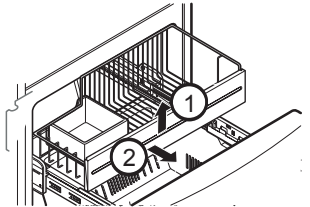
Cómo usar: Incline la puerta hacia abajo y jale hacia afuera.

- ⚠ **PRECAUCIÓN:** Tenga cuidado al abrir la puerta, no coloque los pies por debajo de la puerta o las manos dentro del congelador, el hacerlo puede ocasionarle daños.

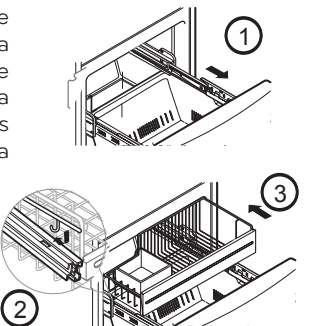


CAJÓN DE ALAMBRE DESLIZABLE (en algunos modelos)

- Saque el cajón lo más que se pueda, levante un poco la canasta (1) y jale para sacarla en su totalidad (2).



- Para ensamblar, jale los rieles a su máxima extensión (1). Enganche los soportes de la canasta en las pestañas de los rieles (2) y empújela hacia el fondo (3).



CUIDADO DE SU REFRIGERADOR

⚠ ADVERTENCIA

PELIGRO DE EXPLOSIÓN



Utilice limpiadores no inflamables. No seguir ésta instrucción puede ocasionar la muerte, explosión o incendio.

Tanto el refrigerador como el congelador realizan deshielo automático, a pesar de esto, limpie ambas secciones una al vez al mes para prevenir la formación de olores. Limpie los derrames de líquidos inmediatamente.

PARA LIMPIAR SU REFRIGERADOR

- Desconecte su refrigerador.
- Quite todas las partes desmontables del interior, tales como las parrillas, compartimentos para verduras, etc.
- Use una esponja limpia o un trapo suave con un poco de detergente con agua tibia. No use limpiadores abrasivos o detergentes concentrados.
- Lave a mano, enjuague y seque las superficies.
- Enchufe el refrigerador o vuelva a conectar el suministro eléctrico.

EXTERIOR

Encere las superficies exteriores pintadas de metal para brindarles mayor protección, realice esta acción con cera para electrodomésticos (o cera suave para automóviles) y aplíquela con un trapo suave y limpio; hágalo al menos 2 veces por año.

Para productos con exterior de acero inoxidable, utilice una esponja limpia o un trapo suave con detergente en agua tibia; seque la superficie con una franela suave. No use limpiadores abrasivos o concentrados.

NOTA: Evite el contacto de la superficie de la puerta con productos químicos que contengan fosfatos o cloros.

INTERIOR (permítale al congelador calentarse un poco para que el trapo no se pegue)

Para eliminar olores, limpie el interior del refrigerador con una mezcla de polvo para hornear (soda) y agua tibia. Mezcle 2 cucharadas de polvo para hornear en de agua (26 gr de soda por cada litro de agua). Asegúrese que el polvo para hornear (soda) se disuelva por completo para que no raye las superficies del refrigerador.

PUERTAS Y EMPAQUES (SELLOS)

Para la limpieza de éstos, no utilice ceras limpiadoras, detergentes concentrados, blanqueadores o limpiadores que contengan partes plásticas de petróleo.

PARTES PLÁSTICAS (Cubiertas y Paneles)

No utilice toallas de papel, aspersores para vidrio, limpiadores abrasivos o fluidos inflamables, éstos pueden rayar o dañar el material.

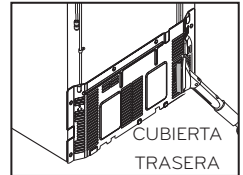
CUBIERTA TRASERA

⚠ ADVERTENCIA

PELIGRO DE CHOQUE ELÉCTRICO

Antes de comenzar, desenchufe el refrigerador o desconecte la corriente de electricidad en el cortacorriente o caja de fusibles. No seguir estas instrucciones puede ocasionar la muerte o una lesión severa.

NOTA: La tapa posterior solo debe ser removida por un técnico calificado. Para un funcionamiento eficiente de su refrigerador, limpie la cubierta por lo menos 2 veces al año.



CÓMO CAMBIAR LAS BOMBILLAS (FOCOS)

⚠ ADVERTENCIA

PELIGRO DE CHOQUE ELÉCTRICO

Antes de cambiar las bombillas desenchufe su refrigerador.

NOTA: El mover el control de temperatura a la posición de OFF (Apagado) no corta la energía del circuito.

NOTA: La lámpara del compartimento del refrigerador es una iluminación interior mediante LEDs por lo que el mantenimiento deberá ser realizado por un técnico calificado.

INTERRUPCIONES DE ENERGÍA

1. Si se desconecta la energía de su hogar, llame a su compañía de energía y pregunte cuánto tiempo durará sin suministro eléctrico.
2. Si no habrá energía en las próximas 24 horas o menos, mantenga las puertas del refrigerador cerradas, para que los alimentos se mantengan fríos y congelados.
3. Si no habrá energía por más de 24 horas, use alguna de las siguientes opciones:
 - Saque todos los alimentos congelados y guárdelos en una hielera.
 - Coloque en el congelador 2 lbs (907 g) de hielo seco por cada pie cúbico (28 L) del espacio del congelador. Esto ayudará a que los alimentos congelados duren así de 2 a 4 días. Utilice guantes para manejar el hielo seco, ya que puede sufrir quemaduras.
 - Si no cuenta con hielo seco o hielera, consuma lo antes posible los alimentos perecederos.

RECUERDE: Un congelador lleno se mantiene más tiempo frío que uno parcialmente lleno. Un congelador lleno de carne se mantiene más tiempo frío que uno que contenga pastelillos u otros alimentos horneados.

Si usted observa que los alimentos tienen cristales de hielo, éstos pueden volver a congelarse sin problema, aunque la calidad y sabor pueden variar. Si los alimentos no se encuentran en buenas condiciones o Ud. cree que no es saludable ingerirlos, deséchelos.

CUIDADOS DURANTE LAS VACACIONES

Si Ud. decide dejar el refrigerador funcionando mientras está ausente, siga estos pasos para preparar su refrigerador antes de irse.

1. Consuma todos los artículos perecederos y congele el resto.
2. Vacíe el recipiente para hielos.

Si Ud. decide apagar el refrigerador antes de irse, siga estos pasos:

1. Saque toda la comida del refrigerador.
2. Desconecte su refrigerador.
3. Limpie el refrigerador, enjuáguelo y séquelo bien.
4. Fije bloques de goma o de madera con cinta adhesiva a ambas puertas para que queden abiertas y el aire circule. Esto evita que se formen olores y que crezcan hongos.

CUIDADOS CUANDO USTED SE MUDA

Si Ud. muda su refrigerador a una casa nueva, siga los siguientes pasos para prepararse para la mudanza.

1. Saque toda la comida del refrigerador y empaque los alimentos congelados con hielo seco.
2. Desconecte su refrigerador.
3. Vacíe el agua de la bandeja colectora.
4. Limpie y seque con un trapo.
5. Saque todas las partes desmontables, envuélvalas bien y asegúrelas con cinta adhesiva para que no se sacudan durante la mudanza.
6. Según el modelo, levante la parte delantera del refrigerador para que ruede con facilidad o atornille las patas niveladoras para no rayar el piso. Consulte la

sección "**Cierre y Alineación de Puertas**".

7. Sostenga las puertas cerradas y el cable pegado al gabinete del refrigerador con cinta adhesiva.

Cuando llegue a la casa nueva, ponga todo de nuevo y lea la sección "**Instalación del Refrigerador**" para obtener instrucciones de preparación. Además, si su refrigerador tiene fábrica de hielo automática, recuerde volver a conectar el suministro de agua al refrigerador.

ACERCA DE LA FÁBRICA DE HIELO AUTOMÁTICA

NOTA: La Fábrica de Hielos Automática la incluyen solo algunos modelos. Revise la especificación del suyo.

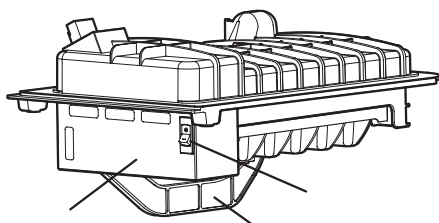
⚠ ADVERTENCIA

PELIGRO DE DAÑOS PERSONALES

Evite el contacto con las partes móviles del mecanismo expulsor o con el calentador que libera los cubos. NO introduzca los dedos en la fábrica de hielo automática cuando el refrigerador se encuentra conectado.

INSTRUCCIONES DE OPERACIÓN

Después de instalar su refrigerador, se empezará a fabricar hielo al pasar entre 12 y 24 horas.



Fábrica de Hielo

Interruptor
Brazo Sensor

La fábrica de hielos produce 12 cubos por ciclo (entre 80 y 100 cubos en un período de 24 horas, dependiendo de la temperatura del compartimento del congelador, número de veces en las que se abre la puerta y otras condiciones de uso).

Si el refrigerador es operado antes de que haya hecho la conexión de agua de la fábrica de hielos, Ud. Debe accionar el interruptor a la posición de **O** (apagado).

Cuando ya se hayan realizado las conexiones de agua, accione el interruptor a la posición **I** (encendido).

La fábrica de hielos se llenará de agua entre 12 y 24 horas después de que su refrigerador fue instalado correctamente, transcurrido este lapso empezará la fabricación de hielos

Tire los primeros hielos que salgan de la fábrica de hielos para así limpiar la tubería de agua. Asegúrese de que nada interfiere con el brazo sensor. Cuando el recipiente se llena al nivel del brazo sensor, la fábrica de hielo dejará de producir cubos.

Es normal que algunos cubos queden pegados; si el hielo no se usa frecuentemente, los hielos viejos estarán opacos, con sabor extraño y más pequeños.

UD. DEBE ACCIONAR EL INTERRUPTOR A LA POSICIÓN O (OFF, APAGADO)

- Cuando el suministro de agua sea interrumpido por varias horas.
- Cuando el recipiente de hielos se encuentre fuera de su lugar por más de 1 ó 2 minutos.
- Cuando el refrigerador no vaya a ser usado por varios días.

SONIDOS NORMALES

- La válvula emitirá un zumbido cuando llene de agua la fábrica de hielos. Si el interruptor se encuentra en la posición de encendido, el zumbido seguirá escuchándose aún y cuando no se haya conectado la tubería de agua. Para evitar este sonido, accione el interruptor a la posición **O** (apagado).

NOTA: La fábrica de hielos se puede dañar si se mantiene accionado el interruptor en la posición **I** (encendido) antes de haber conectado a la tubería de agua.

- Mientras la fábrica de hielos se llena de agua y expulsa los hielos Ud. escuchará ruidos de hielos caer y agua fluir por las tuberías.

PREPARÁNDOSE PARA LAS VACACIONES

Accione el interruptor de la fábrica de hielos a la posición **O** (apagado) y corte el suministro de agua al refrigerador. Si la temperatura ambiente se encuentra en el punto de congelación del agua, haga que un técnico especializado drene el suministro de agua y las tuberías interiores del refrigerador (en algunos modelos) para evitar daño debido a conexiones o tuberías rotas.

NOTA: La línea de agua es necesaria instalarla cuando las características de los dispensadores de agua y/o hielo están disponibles en su producto.

CÓMO CONECTAR LA TUBERÍA DE AGUA

ANTES DE COMENZAR

La instalación de la tubería de agua no está garantizada por el fabricante del refrigerador o de la fábrica de hielos. Siga las instrucciones cuidadosamente para minimizar el riesgo de daños al producto.

El aire en la tubería de agua puede provocar martilleos en las conexiones, lo que puede causar daños a las tuberías internas del refrigerador o derrame de agua al interior. Llame a un plomero calificado para corregir los martilleos en las conexiones antes de instalar la tubería de agua.

Para evitar quemaduras y daños al producto, no conecte su refrigerador a las tuberías de agua caliente.

Si usa su refrigerador antes de conectar el suministro de agua, asegúrese de que la fábrica de hielo se encuentra en la posición **O** (apagado).

No instale las tuberías de la fábrica de hielos en áreas en las cuales la temperatura ambiente se encuentre bajo el punto de congelación del agua.

Cuando utilice cualquier dispositivo eléctrico (como un taladro) durante la instalación, asegúrese de que el dispositivo esté doblemente aislado o conectado a tierra para prevenir el riesgo de choque eléctrico.

Toda instalación deberá hacerse de acuerdo con los requerimientos locales de agua y drenaje.

- Si un sistema de filtración de agua por ósmosis inversa está conectado al suministro de agua fría, la instalación de la manguera no se garantiza por el fabricante del refrigerador o de la fábrica de hielo automática. Siga las siguientes instrucciones cuidadosamente para minimizar el riesgo de daños costosos por agua.
- Si un sistema de filtración de agua por ósmosis inversa está conectado al suministro de agua fría, la presión del agua para el sistema de ósmosis inversa debe tener un mínimo de 40 a 60 PSI ó 0,27 MPa a 0,41 MPa ($2,8 \text{ kg} \cdot \text{f} / \text{cm}^2 \sim 4,2 \text{ kg} \cdot \text{f} / \text{cm}^2$, menos de 2 ~ 3 segundos para llenar una taza de 7 oz de capacidad [0,2 litros]).
- Si la presión del agua del sistema de ósmosis inversa es menor de 21 PSI ó 0,14 MPa ($1,5 \text{ kg} \cdot \text{f} / \text{cm}^2$, más de 4 segundos para llenar una taza de 7 oz de capacidad [0,2 litros]):
 - a) Compruebe si está bloqueado el filtro de sedimentos en el sistema de ósmosis inversa. Reemplace el filtro si es necesario.
 - b) Permitir que el tanque de almacenamiento del sistema de ósmosis inversa se rellene después de un uso intenso.
 - c) Si el problema sobre la presión de agua de ósmosis inversa se mantiene, llame a un plomero calificado.

REQUERIMIENTOS

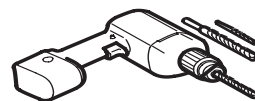
- **Tubería de Cobre de 1/4" (6,35 mm)** de diámetro para conectar el refrigerador a la tubería de agua. Asegúrese que ambas terminales se corten cuadradas.



Para determinar cuánta tubería puede necesitar, mida la distancia desde la válvula que se encuentra en la parte de atrás del refrigerador, hasta el suministro de agua. Después sume 8 pies (2,4 m). Asegúrese de que exista suficiente tubería extra para permitir el libre movimiento del refrigerador desde la pared.

- **Un suministro de agua fría.** La presión del agua debe estar entre 0,138 y 0,82 MPa o 20 y 120 PSI en los modelos que no cuentan con filtro de agua y entre 0,276 y 0,82 MPa o 40 y 120 PSI en los modelos que cuentan con filtro de agua.

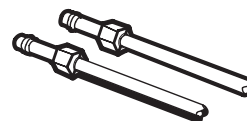
- **Taladro.**



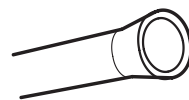
- **Llave Ajustable de 1/2 " (12,7 mm).**

- **Desatornillador plano y tipo Phillips (Estrella).**

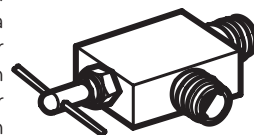
- **Dos tuercas de compresión de 1/4" (6,35 mm)** de diámetro con 2 mangas para conectar la tubería de cobre a la válvula del refrigerador.



Si su tubería de cobre actual cuenta con alguna reducción en los extremos, necesitará un adaptador (disponible en las ferreterías) para conectar la línea de agua al refrigerador. También puede cortar la reducción con un cortador de tubo y después utilizar las conexiones de compresión arriba mencionadas.



- **Válvula de paso** para conectar a la línea de agua fría. La válvula debe tener una entrada de agua con un diámetro mínimo interior de 5/32" (3,46 mm) en el punto de conexión del AGUA FRÍA. Estas válvulas se pueden encontrar en cualquier paquete de conexión de agua. Antes de comprar, asegúrese de que la válvula cumpla con los reglamentos locales.



INSTRUCCIONES DE INSTALACIÓN

Instale la válvula en la tubería donde Ud. frecuente ingerir agua.

- ⚠ **PRECAUCIÓN:** Conectar solamente al suministro de agua potable.

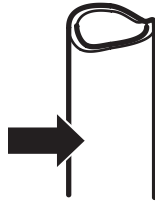
1. CIERRE EL SUMINISTRO PRINCIPAL DE AGUA

Abra la llave más cercana para dejar fluir el agua y vaciar las tuberías.

CÓMO CONECTAR LA TUBERÍA DE AGUA

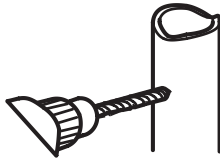
2. SELECCIONE LA LOCALIZACIÓN DE LA VÁLVULA

Seleccione la localización para la válvula que mejor se le facilite el acceso. Es mejor conectar en una tubería vertical. Cuando sea necesario conectar en una tubería horizontal, haga la conexión en la parte superior o lateral, en vez de hacerlo en la parte inferior, para prevenir la acumulación de sedimentos.



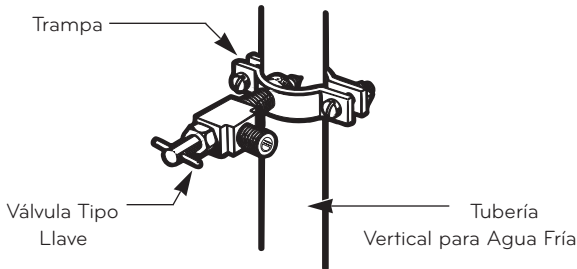
3. TALADRE UN ORIFICIO PARA LA VÁLVULA

Taladre un orificio de 1/4" (6,35 mm) diámetro en la tubería de agua. Elimine la rebaba que quede después de hacer la perforación. Tenga cuidado de que el agua no llegue al taladro. Si no realiza la perforación de 1/4" (6,35 mm) puede resultar en una producción pobre de hielo o cubos más pequeños.



4. APRIETE LA VÁLVULA

Apriete la válvula a la tubería de agua fría con una trampa para tubos.

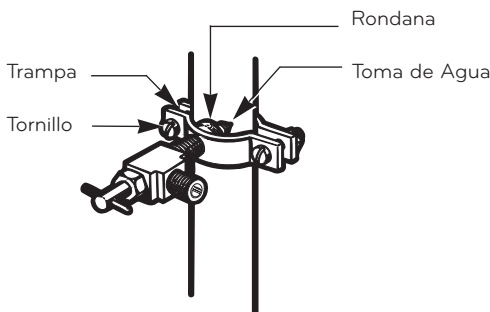


NOTA: Los códigos de tubería 248CMR del estado de Massachusetts deben estar adheridos a la conexión. Las válvulas de este tipo están prohibidas en Massachusetts. Consulte con su plomero autorizado.

5. APRIETE LA TRAMPA

Apriete la trampa hasta que la rondana selladora empiece a agrandarse.

NOTA: No apriete de más, ya que podría romper la tubería.



6. ACOMODE LA TUBERÍA

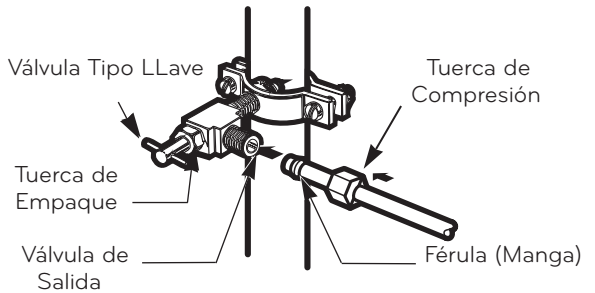
Acomode la tubería entre la línea de agua fría y el refrigerador.

Acomode la tubería a través de una perforación hecha en la pared o piso (detrás del refrigerador o a un lado del gabinete) tan cerca de la pared como sea posible.

NOTA: Asegúrese de que exista suficiente tubería extra (unos 8 pies [244 mm] enrollados en 3 vueltas de 10" [25 cm] de diámetro) para permitir al refrigerador moverse fuera de la pared después de la instalación.

7. CONECTE LA TUBERÍA A LA VÁLVULA

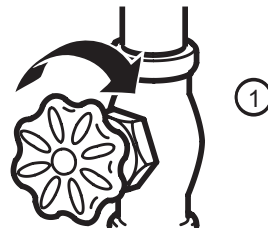
Ponga la tuerca de compresión y la férula para la tubería de cobre al final de la tubería y conéctela a la válvula. Asegúrese que la tubería está completamente insertada en la válvula. Apriete la tuerca con precaución.



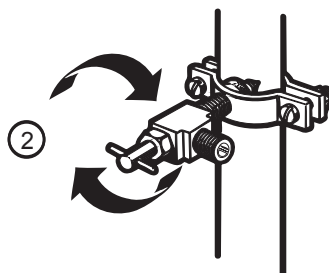
NOTA: Los códigos de tubería 248CMR del estado de Massachusetts deben estar adheridos a la conexión. Las válvulas de este tipo están prohibidas en Massachusetts. Consulte con su plomero autorizado.

8. DRENE LA TUBERÍA

Abra el suministro principal de agua (1) y drene la tubería hasta que el agua esté clara.



Abra el agua en la válvula de paso (2) y cierre después de haber drenado 1/4 de galón (1L) de agua.



CÓMO CONECTAR LA TUBERÍA DE AGUA

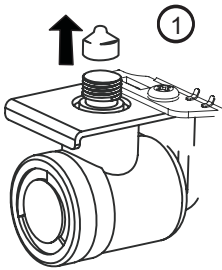
9. CONECTE LA TUBERÍA AL REFRIGERADOR

NOTAS:

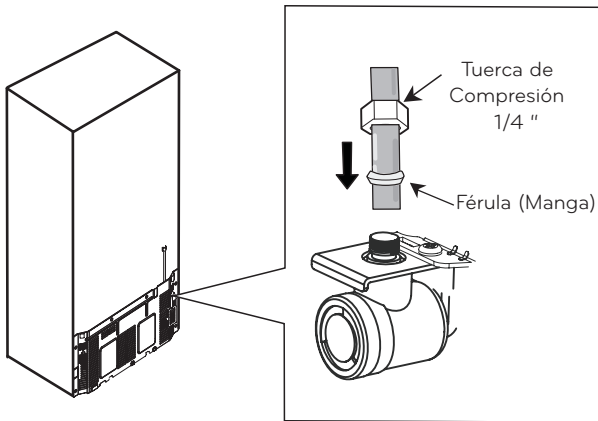
- Antes de hacer la conexión al refrigerador, asegúrese de que éste no esté conectado al suministro de energía.
- Si su refrigerador no cuenta con filtro de agua, le recomendamos que instale uno. Si su suministro de agua contiene arena o partículas que puedan ser llevadas a través de la válvula, instale un filtro de agua en la tubería cerca del refrigerador.

IMPORTANTE: No utilice mangueras viejas, gastadas o usadas, sólo use nuevas para hacer un mejor uso y lograr un mejor servicio. Conecte sólo al suministro de agua potable para su seguridad y salud.

Retire el tapón protector (1) de la rosca de la válvula ubicada en la parte posterior de éste.



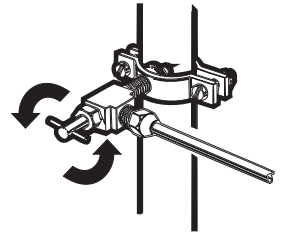
Coloque la tuerca de compresión y la férula al final de la tubería. Inserte la tubería en la válvula de conexión tan adentro como le sea posible. Apriete mientras sostiene la tubería.



Apriete el tubo de conexión (casa) al sujetador de la parte trasera del refrigerador. Primero afloje el tornillo que sostiene el sujetador. Después, inserte el tubo de conexión de casa en el orificio. Finalmente, vuelva a apretar el tornillo.

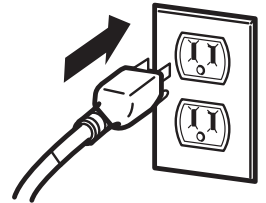
10. ABRA LA VÁLVULA DE PASO

Apriete todas las conexiones que tengan fugas. Vuelva a poner la cubierta de acceso al compresor.



11. CONECTE EL REFRIGERADOR

Arregle la tubería de agua de tal manera que ésta no pueda vibrar con el refrigerador o la pared. Empuje el refrigerador hacia la pared.



12. ENCIENDA LA FÁBRICA DE HIELO

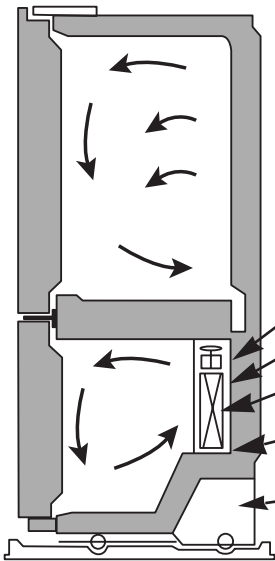
Accione el interruptor de la fábrica de hielo a la posición **ON** (encendido). La fábrica de hielo no empezará a operar hasta que alcance su temperatura de operación de 15 °F (-9 °C) o menor. Comenzará su operación automática si el interruptor se encuentra en la posición **I** (Encendido).

GUÍA DE SOLUCIÓN DE PROBLEMAS

SONIDOS NORMALES

Su nuevo refrigerador puede hacer ruidos que su viejo refrigerador no hacía; como estos sonidos son nuevos para Ud., puede ser que se preocupe. La mayoría de los sonidos nuevos son normales. Superficies duras, como el piso, las paredes y los gabinetes, pueden hacer que los sonidos parezcan más fuertes de lo que son en realidad. A continuación se describen los tipos de sonidos y qué puede causarlos.

- El temporizador del ciclo de deshielo hará un sonido de "click" cuando el ciclo automático de deshielo comience y termine. Además, el Control del Termostato (o Control del Refrigerador, dependiendo del modelo), emitirá un sonido de "click" cuando comience y termine el ciclo de refrigeración.



- Se puede escuchar un cascabeleo, el cual es debido al flujo del refrigerante, la tubería de agua u objetos colocados en la parte superior del refrigerador.

- Su refrigerador está diseñado para funcionar eficientemente para conservar sus alimentos a la temperatura deseada y usando la mínima cantidad de energía posible. El compresor de alta eficiencia y los ventiladores pueden causar que su nuevo refrigerador funcione por períodos de tiempo más largos que su refrigerador viejo y Ud. puede escuchar un sonido pulsante o agudo que proviene de estos componentes.

- Puede que Ud. escuche el motor del ventilador del evaporador circulando el aire a través de los compartimentos del refrigerador y del congelador. Es posible que aumente la velocidad del ventilador cuando Ud. abra la puerta (debido a que entra calor al refrigerador). El agua que gotea durante un ciclo de deshielo, puede causar ruido de goteo.

- Al final de cada ciclo, Ud. puede escuchar un goteo debido al flujo de líquido refrigerante en su refrigerador.


- La contracción y expansión de las paredes internas pueden causar un ligero sonido de estallido.

- El agua que gotea durante un ciclo de deshielo, puede causar ruido de goteo.

- Ud. puede escuchar aire forzado sobre el condensador causado por el ventilador del condensador.

- Ud. puede escuchar agua corriendo hacia la bandeja colectora durante el ciclo de descongelación.

- Debido al diseño para el bajo consumo de energía del refrigerador, los abanicos permanecerán apagados, durante el tiempo en que el interruptor de la puerta active la luz interna del compartimento.

Problema	Posibles Causas	Soluciones
EL REFRIGERADOR NO ENCIENDE	<ul style="list-style-type: none"> • Está conectado el enchufe. • Se ha fundido un fusible o el circuito de electricidad tiene fallas. • El refrigerador se encuentra en el ciclo de descongelación. 	<ul style="list-style-type: none"> • Conecte firmemente el enchufe en un tomacorriente con el voltaje adecuado. • Reemplace el fusible o haga revisar el circuito eléctrico. • Espere unos 30 minutos para que el ciclo termine.
LAS LUCES DEL PANEL DE CONTROL SE ENCUENTRAN CENTELLANDO FRECUENTEMENTE (1-2-3-4-5-6-7)	<ul style="list-style-type: none"> • El refrigerador se ha puesto en un modo parcial (Demostración) que se encuentra en el programa que almacena. 	<ul style="list-style-type: none"> • El modo demostración deshabilita el sistema de enfriado; únicamente las lamparas y el control de temperatura trabajan correctamente. Para deshabilitar presiona ULTRA ICE ❄️ y los botones Adjust Temp > al mismo tiempo por 5 segundos.
SONIDOS EXTRAÑOS O VIBRACIÓN	<ul style="list-style-type: none"> • El refrigerador no se encuentra firmemente asentado en el piso. 	<ul style="list-style-type: none"> • Necesita ajustar los tornillos niveladores debido a que el piso está débil o no uniforme. Vea la sección de Instalación.

GUÍA DE SOLUCIÓN DE PROBLEMAS

Problema	Posibles Causas	Soluciones
LAS LUCES NO ENCIENDEN	<ul style="list-style-type: none"> • El refrigerador está enchufado. • Las bombillas están flojas. • Se ha fundido una bombilla. 	<ul style="list-style-type: none"> • Conecte firmemente el enchufe en un tomacorriente con el voltaje adecuado. • Desconecte el refrigerador. Quite cuidadosamente la bombilla y vuelva a colocarla (Vea la sección Cuidado de su Refrigerador). Enchúfelo de nuevo. • Desenchufe el refrigerador antes del reemplazo. Sustituya por un foco de 40 watts del mismo tamaño y forma en su tienda preferida. (Véase la sección Como cambiar las bombillas (Focos)).
EL COMPRESOR PARECE ESTAR ENCENDIDO POR MUCHO TIEMPO	<ul style="list-style-type: none"> • El refrigerador que fue reemplazado era un modelo antiguo. • La temperatura ambiente está más caliente de lo normal. • La puerta se abre muy seguido o se ha almacenado una gran cantidad de alimentos. • El refrigerador está enchufado y el control ha sido ajustado correctamente. • Las puertas no cierran correctamente. • La tubería del condensador está sucia. 	<ul style="list-style-type: none"> • Los refrigeradores modernos con mayor capacidad de almacenaje requieren mayor tiempo de operación. • El motor seguirá en operación cuando la temperatura ambiente sea alta. El motor puede estar encendido entre un 40% y 80% del tiempo. En condiciones de temperatura alta, el compresor puede funcionar durante largo tiempo. • Al agregar comida o abrir la puerta el refrigerador se calienta. Es normal que el refrigerador opere por más tiempo para enfriar los compartimentos (Vea la Guía para Almacenar Alimentos). Para ahorrar energía, tome lo que necesite en una sola ocasión, mantenga la comida ordenada para encontrarla fácilmente y cierre la puerta del refrigerador tan pronto como saque la comida. • El refrigerador tardará 24 horas para enfriarse completamente. • Empuje las puertas firmemente. Si no se cierran completamente, vea a continuación Las puertas no cierran completamente. • Esto evita la transferencia de aire y hace que el motor trabaje por más tiempo. Limpie la tubería del condensador.
LAS PUERTAS NO CIERRAN COMPLETAMENTE	<ul style="list-style-type: none"> • El refrigerador no está nivelado. • Los paquetes de comida están obstruyendo las puertas. • El recipiente de hielos, la cubierta de vegetales, los paneles, estantes, contenedores de puertas o recipientes están fuera de posición. • Los empaques (sellos) se pegan. • El refrigerador se tambalea o parece inestable. • Se quitaron las puertas durante la instalación y no se instalaron apropiadamente. 	<ul style="list-style-type: none"> • Vea la sección de Instalación para nivelar el refrigerador. • Arregle los contenedores de comida para liberar espacio entre las puertas y los estantes. • Empuje los contenedores y ponga la cubierta del cajón de vegetales, paneles, estantes y otros contenedores en sus posiciones correctas. Vea la sección Uso del Refrigerador. • Limpie los empaques y las superficies que tocan. Use un trapo con un poco de parafina y aplíquelo sobre los empaques. • Nivele el refrigerador. Vea la sección de Cierre y Alineación de Puertas. • Quite y vuelva a colocar las puertas de acuerdo a la sección de Instalación del Refrigerador.
HAY CRISTALES DE HIELO EN LA COMIDA	<ul style="list-style-type: none"> • No se ha cerrado correctamente la puerta. • La puerta se abre frecuentemente. 	<ul style="list-style-type: none"> • Vea Las puertas no cierran completamente arriba mencionada. • Cuando la puerta se abre, el aire tibio y húmedo entra en el congelador, provocando la humedad y cristales de hielo.

GUÍA DE SOLUCIÓN DE PROBLEMAS

Problema	Posibles Causas	Soluciones
EL HIELO TIENE SABOR Y OLOR EXTRAÑOS	<ul style="list-style-type: none"> • La fábrica de hielos ha sido instalada recientemente. • El hielo ha sido almacenado por mucho tiempo. • La comida no se ha empacado bien en cada compartimento. • El suministro de agua contiene minerales tales como el sulfuro. • El interior del refrigerador necesita limpieza. • El recipiente de hielos necesita limpieza. 	<ul style="list-style-type: none"> • No utilice los primeros hielos que se produzcan. • Deshágase del hielo viejo y haga una nueva provisión. • Vuelva a envolver la comida, ya que los olores se pueden transferir al hielo si la comida no está bien empacada. • Tal vez necesite instalar un filtro de agua para eliminar los problemas de olores y sabores. • Vea la sección de Cuidado de su Refrigerador. • Vacíe el recipiente y tire los cubos viejos.
HAY AGUA EN EL RECIPIENTE DE DRENAJE	<ul style="list-style-type: none"> • El refrigerador se está descongelando. • Está más húmedo que lo normal. 	<ul style="list-style-type: none"> • El agua se evaporará. Es normal que el agua caiga en el recipiente de drenaje. • Puede que el agua que se encuentra en el recipiente tarde en evaporarse. Es normal cuando el clima está caliente y húmedo.
EL REFRIGERADOR HACE RUIDO	<ul style="list-style-type: none"> • Los sonidos son normales en su refrigerador. 	<ul style="list-style-type: none"> • Vea la sección Sonidos Normales.
LA FÁBRICA DE HIELO NO PRODUCE HIELO O LO FABRICA LENTAMENTE	<ul style="list-style-type: none"> • La temperatura del congelador está suficientemente fría para producir hielo. • La puerta se dejó abierta. 	<ul style="list-style-type: none"> • Espere 24 horas para producir hielo. Vea Ajuste de los Controles. • Verifique si hay algo que obstruya el cierre de la puerta.
LOS CUBOS FABRICADOS SON MUY PEQUEÑOS	<ul style="list-style-type: none"> • Se seleccionó el tamaño más pequeño de cubos. • Se ha obstruido la válvula que conecta al refrigerador con la tubería de agua. 	<ul style="list-style-type: none"> • Seleccione un tamaño mayor para los hielos. • Llame a un plomero para limpiar la válvula.
LAS PUERTAS SON DIFÍCILES DE ABRIR	<ul style="list-style-type: none"> • Los empaques (sellos) están sucios o pegajosos. • La puerta se vuelve a abrir tan pronto como usted la cierra. 	<ul style="list-style-type: none"> • Limpie los empaques y las superficies que tocan. Utilice un trapo con parafina y aplíquelo sobre los empaques. • Cuando usted abre la puerta, el aire a alta temperatura entra en el refrigerador. Cuando este aire se enfría rápidamente ocupa un menor volumen y crea un vacío. Si es difícil abrir, espere 5 minutos, luego verifique.
LA FÁBRICA DE HIELO NO FUNCIONA	<ul style="list-style-type: none"> • La fábrica de hielo está apagada. • El suministro de agua se ha cortado o no está conectado. • La temperatura del congelador está tibia. • Los cubos de hielo fabricados apagan la fábrica de hielos. 	<ul style="list-style-type: none"> • Encienda la fábrica de hielo (posición I). • Vea la sección Cómo Conectar la Tubería de Agua. • Espere 24 horas para que el congelador alcance su temperatura ideal. • Nivele los cubos a mano.

GUÍA DE SOLUCIÓN DE PROBLEMAS

Problema	Posibles Causas	Soluciones
<p>LA TEMPERATURA ESTÁ MUY CALIENTE O SE HA FORMADO HUMEDAD EN EL INTERIOR</p>	<ul style="list-style-type: none"> • Las ventilas de aire están bloqueadas. El aire frío circula desde el congelador hacia el refrigerador y regresa a través de las ventilas que dividen estas secciones. • Las puertas se abren frecuentemente. • El control del refrigerador no ha sido ajustado correctamente para las condiciones de la habitación. • Una cantidad grande de alimento acaba de agregarse al compartimento del refrigerador. 	<ul style="list-style-type: none"> • Localice las ventilas usando su mano para revisar el flujo de aire y mueva los paquetes que bloqueen las ventilas y eviten el flujo de aire. • Cuando las puertas se abren, el aire tibio y húmedo entra al refrigerador. Mientras más tiempo estén abiertas, mayor aire tibio y húmedo entrará al refrigerador, lo que provoca la formación de humedad. Para mantener el refrigerador frío, tome lo que necesite de una sola vez y mantenga la comida organizada para que sea más fácil encontrarla y cierre la puerta tan pronto pueda. • Espere 24 horas para estabilizar la temperatura. Si la temperatura es demasiado fría o caliente, mueva el control un nivel a la vez, hasta llegar a la temperatura deseada y espere 1 día. • Al agregar comida al refrigerador, éste se calienta. Puede tomar algunas horas en que el refrigerador regrese a su temperatura normal.
<p>LA TEMPERATURA ESTÁ MUY CALIENTE O SE HA FORMADO HUMEDAD EN EL INTERIOR</p>	<ul style="list-style-type: none"> • La comida no se ha empacado bien en cada compartimento. • No se ha cerrado correctamente la puerta. • El clima está húmedo. • El ciclo de auto-descongelación ha terminado. 	<ul style="list-style-type: none"> • Envuelva la comida firmemente y antes de almacenar comida seque los compartimentos para evitar acumulación de humedad. Si es necesario, envuelva la comida de acuerdo a la sección Guía para Almacenar Alimentos. • Vea Las puertas no cierran completamente. • En climas húmedos, el aire contiene humedad, la cual se introduce al refrigerador cuando las puertas son abiertas. • Es normal que se formen gotas de agua en la pared trasera después de completar un ciclo de descongelación.



LG Customer Information Center

1-800-243-0000	USA, Consumer User
1-888-865-3026	USA, Commercial User
1-888-542-2623	CANADA

Register your Product Online!

www.lg.com