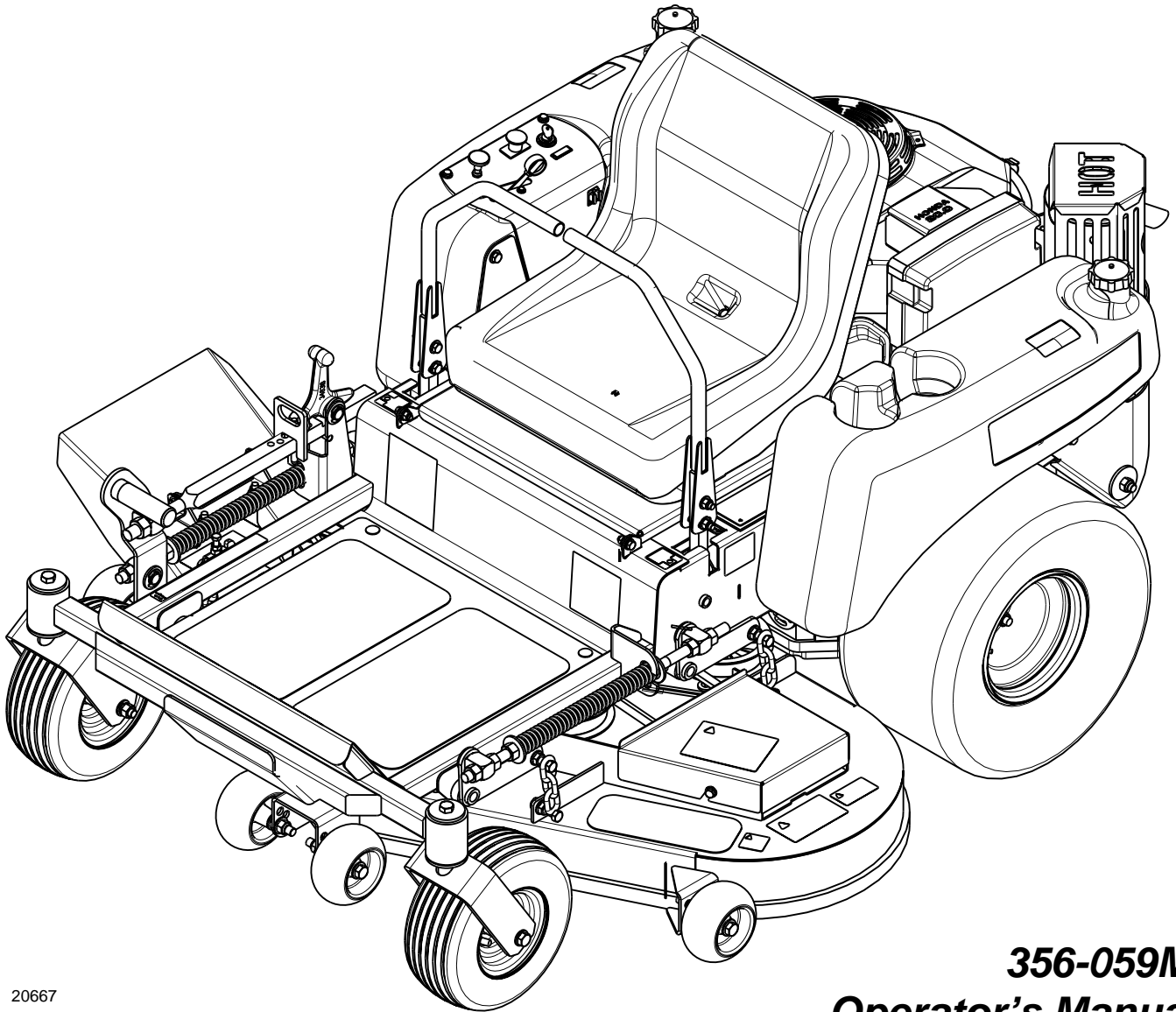


Zero Turn Mowers

ZR44 & ZR52 (S/N 472619 & below)

Accu-Z Razor®



20667

356-059M Operator's Manual



Read the Operator's manual entirely. When you see this symbol, the subsequent instructions and warnings are serious - follow without exception. Your life and the lives of others depend on it!

© Copyright 2010 Printed 4/19/10



Cover photo may show optional equipment not supplied with standard unit.

Important Safety Information	1	Hydro-Drive Belt Adjustment	17
Safety at All Times	1	Deck Drive Belt Adjustment	17
Safety Labels	4	Engine RPM Setting	17
Introduction	6	Deck Leveling and Height Adjustment	17
Application	6	Deck Level Adjustments	17
Using This Manual	6	Deck Cutting Height Adjustment	19
Terminology	6	Anti-Scalp Rollers	20
Definitions	6	Section 4: Maintenance and Lubrication	21
Owner Assistance	6	Maintenance Locations	21
Serial Number Location	6	Maintenance Schedule	22
Further Assistance	6	Maintenance	23
Section 1: Assembly and Set-Up	7	Torque Values	23
Control Lever & Seat Assembly	7	Tires	23
Section 2: Operating	8	Lubrication	24
Controls	8	Electrical System	24
Ignition Switch	8	Access to Integrated Pump/Motor	25
Throttle	8	Hydraulic System	25
Choke	8	Hydraulic Filter	25
Left/Right Fuel Tank Valve	9	Fuel System	26
Blade Engagement Switch	9	Draining the fuel tank	26
Control Levers	9	Engine Oil and Filter	27
Deck Lift Pedal	9	Engine Air Filter	27
Instrumentation	10	General Engine Maintenance	27
Oil Pressure Light	10	Belt Replacement	27
Safety Start Interlock System	10	Deck Belt Replacement	27
Engine Starting	10	Drive Belt Replacement	28
Moving Mower with Stalled Engine	11	Mower Blade Maintenance	29
Driving the Mower	11	Mower Blade Removal	29
Steering	11	Storage	30
To Stop or Decrease Speed	12	Preparation of Engine for Storage	30
To Increase Speed	12	New Season Preparation	30
Operating Suggestions	12	Section 5: Specifications & Capacities	31
Mower Deck Operation	13	Section 6: Features & Benefits	33
Operating Instructions	13	Section 7: Troubleshooting	34
Section 3: Adjustments	14	Section 8: Appendix	35
Torque Values	14	Torque Values Chart	35
Steering Linkage	14	Tire Inflation Chart	35
Control Lever Neutral Adjustment	15	Notes	36
Steering Dampener	15	Warranty	37
Control Lever Adjustment	16		
Park Brake	16		
Brake Spring Adjustment	16		
Brake Switch Adjustment	16		

© Copyright 2010 All rights Reserved

Land Pride provides this publication "as is" without warranty of any kind, either expressed or implied. While every precaution has been taken in the preparation of this manual, Land Pride assumes no responsibility for errors or omissions. Neither is any liability assumed for damages resulting from the use of the information contained herein. Land Pride reserves the right to revise and improve its products as it sees fit. This publication describes the state of this product at the time of its publication, and may not reflect the product in the future. The illustrations in this manual are not intended for safe and proper assembly or disassembly of equipment. The illustrations are intended for ordering parts only.

Land Pride is registered trademark.

All other brands and product names are trademarks or registered trademarks of their respective holders.

Printed in the United States of America.

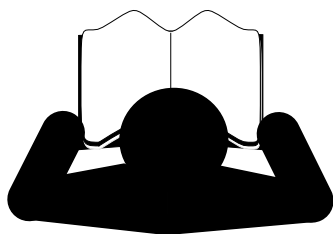
These are common practices that may or may not be applicable to the products described in this manual.

Safety at All Times

Thoroughly read and understand the instructions given in this manual before operation. Refer to the "Safety Label" section, read all instructions noted on them.

Do not allow anyone to operate this equipment who has not fully read and comprehended this manual and who has not been properly trained in the safe operation of the equipment.

- ▲ Operator should be familiar with all functions of the unit.
- ▲ Operate implement from the driver's seat only.
- ▲ Do not leave equipment unattended with engine running.
- ▲ Dismounting from a moving mower could cause serious injury or death.
- ▲ Do not stand between the mower and implement during hitching.
- ▲ Keep hands, feet, and clothing away from power-driven parts.
- ▲ Wear snug fitting clothing to avoid entanglement with moving parts.
- ▲ Watch out for wires, trees, etc., when raising implement. Make sure all persons are clear of working area.
- ▲ Turning mower too tight may cause implement to ride up on wheels. This could result in injury or equipment damage.



Look For The Safety Alert Symbol

The SAFETY ALERT SYMBOL indicates there is a potential hazard to personal safety involved and extra safety precaution must be taken. When you see this symbol, be alert and carefully read the message that follows it. In addition to design and configuration of equipment, hazard control and accident prevention are dependent upon the awareness, concern, prudence and proper training of personnel involved in the operation, transport, maintenance and storage of equipment.

Be Aware of Signal Words

A Signal word designates a degree or level of hazard seriousness. The signal words are:

DANGER

Indicates an imminently hazardous situation which, if not avoided, will result in death or serious injury. This signal word is limited to the most extreme situations, typically for machine components that, for functional purposes, cannot be guarded.

WARNING

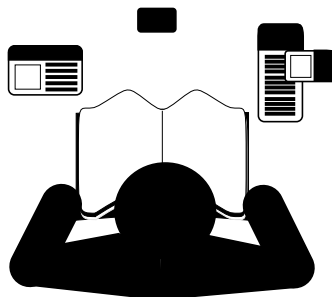
Indicates a potentially hazardous situation which, if not avoided, could result in death or serious injury, and includes hazards that are exposed when guards are removed. It may also be used to alert against unsafe practices.

CAUTION

Indicates a potentially hazardous situation which, if not avoided, may result in minor or moderate injury. It may also be used to alert against unsafe practices.

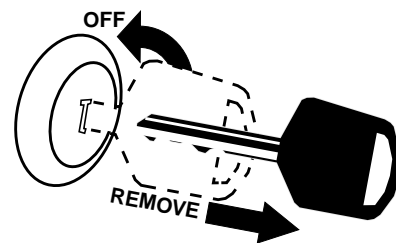
For Your Protection

- ▲ Thoroughly read and understand the "Safety Label" section, read all instructions noted on them.



Shutdown and Storage

- ▲ Lower machine to ground, put mower in park, turn off engine, and remove the key.
- ▲ Detach and store implements in a area where children normally do not play. Secure implement by using blocks and supports.



These are common practices that may or may not be applicable to the products described in this manual.

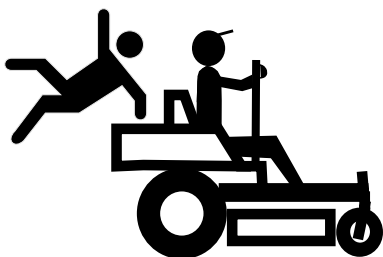
Practice Safe Maintenance

- ▲ Understand procedure before doing work. Use proper tools and equipment, refer to Operator's Manual for additional information.
- ▲ Work in a clean dry area.
- ▲ Put mower in park, turn off engine, and remove key before performing maintenance.
- ▲ Allow mower to cool completely before performing maintenance..
- ▲ Do not grease or oil mower while in operation.
- ▲ Inspect all parts. Make sure parts are in good condition and installed properly.
- ▲ Remove buildup of grease, oil or debris.
- ▲ Remove all tools and unused parts from mower before operation.



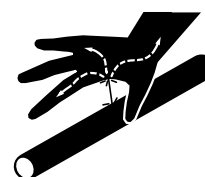
Keep Riders Off Machinery

- ▲ Riders obstruct the operator's view, they could be struck by foreign objects or thrown from the machine.
- ▲ Never allow children under 16 years of age to operate equipment.



Avoid High Pressure Fluids Hazard

- ▲ Escaping fluid under pressure can penetrate the skin causing serious injury.
- ▲ Avoid the hazard by relieving pressure before disconnecting hydraulic lines.
- ▲ Use a piece of paper or cardboard, NOT BODY PARTS, to check for suspected leaks.
- ▲ Wear protective gloves and safety glasses or goggles when working with hydraulic systems.
- ▲ If an accident occurs, see a doctor immediately. Any fluid injected into the skin must be surgically removed within a few hours or gangrene may result.

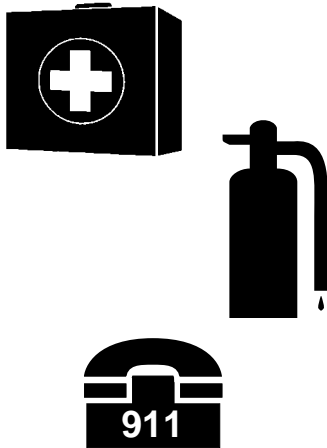


Important Safety Information

These are common practices that may or may not be applicable to the products described in this manual.

Prepare for Emergencies

- ▲ Be prepared if a fire starts.
- ▲ Keep a first aid kit and fire extinguisher handy.
- ▲ Keep emergency numbers for doctor, ambulance, hospital and fire department near phone.

**Wear Protective Equipment**

- ▲ Protective clothing and equipment should be worn.
- ▲ Wear clothing and equipment appropriate for the job. Avoid loose fitting clothing.
- ▲ Prolonged exposure to loud noise can cause hearing impairment or hearing loss. Wear suitable hearing protection such as earmuffs or earplugs.
- ▲ Operating equipment safely requires the full attention of the operator. Avoid wearing radio headphones while operating machinery.



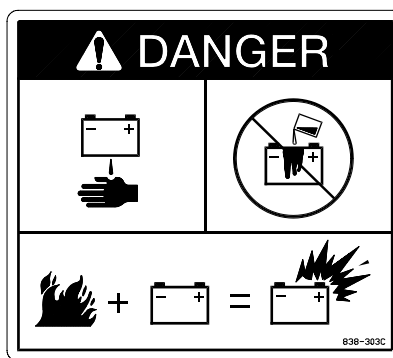
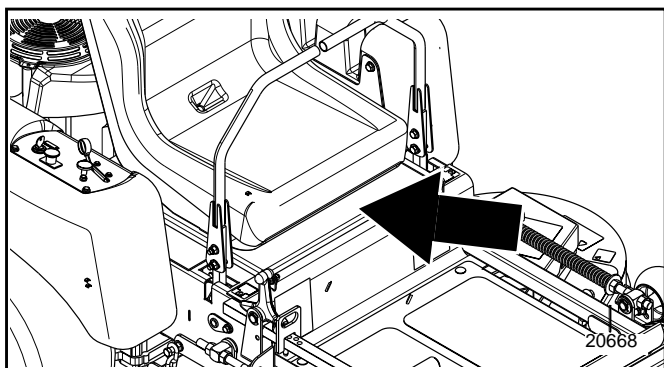
Important Safety Information

Safety Labels

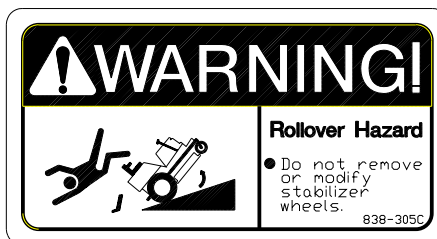
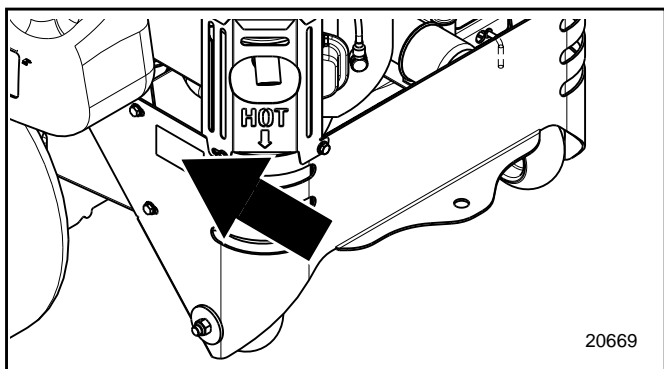
Your mower comes equipped with all safety labels in place. They were designed to help you safely operate your implement. Read and follow their directions.

1. Keep all safety labels clean and legible.
2. Replace all damaged or missing labels. To order new labels go to your nearest Land Pride dealer.
3. Some new equipment installed during repair requires safety labels to be affixed to the replaced component as specified by Land Pride. When ordering new components make sure the correct safety labels are included in the request.

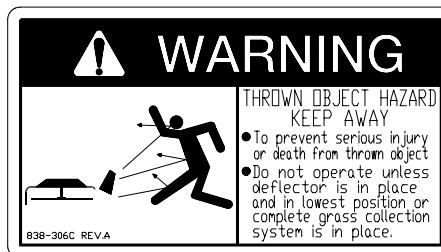
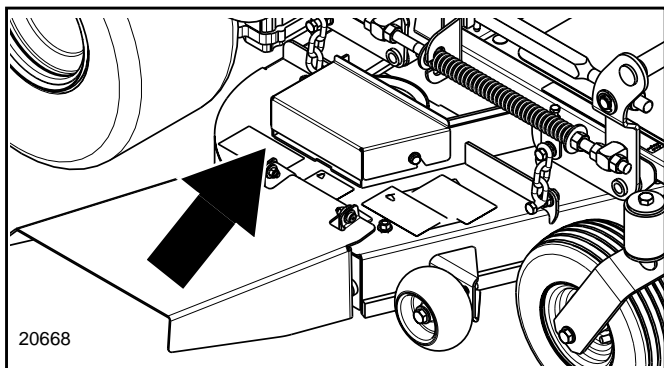
4. Refer to this section for proper label placement. To install new labels:
 - a. Clean the area the label is to be placed.
 - b. Spray soapy water on the surface where the label is to be placed.
 - c. Peel backing from label. Press firmly onto the surface.
 - d. Squeeze out air bubbles with the edge of a credit card.



838-303C
 Danger: Battery
 (Beneath Seat)

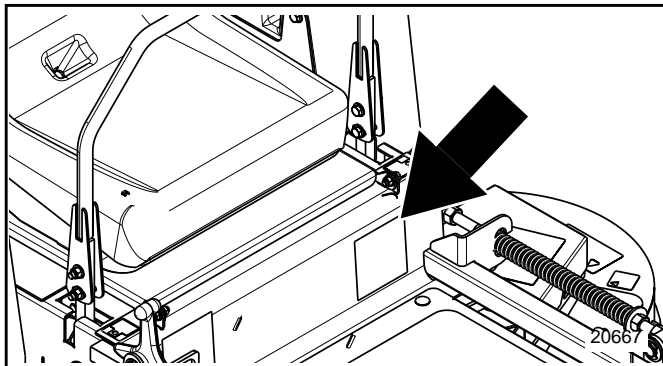


838-305C
 Warning: Rollover Hazard
 (Beneath Bumper on Back
 of Frame)



838-306C
 Warning: Do not operate
 without deflector

Important Safety Information



! WARNING

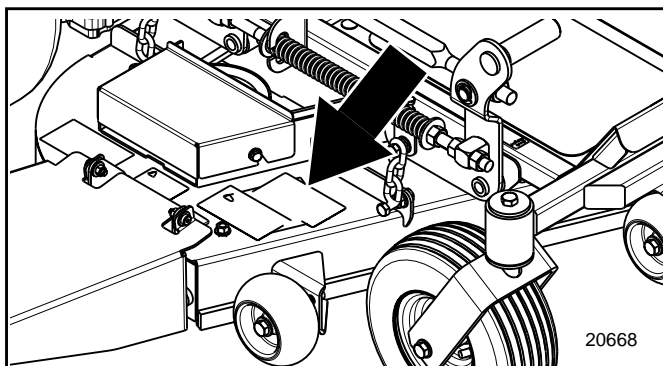
MOVING PARTS HAZARD
To prevent serious injury or death from moving parts:

- Close and secure guards and shields before starting.
- Keep hand, feet, hair and clothing away from moving parts.
- Disconnect and lockout power source before adjusting and servicing.
- Do not stand or climb on machine when operating.

SW404

838-307C

Warning: Moving Parts (Both Sides)



! WARNING

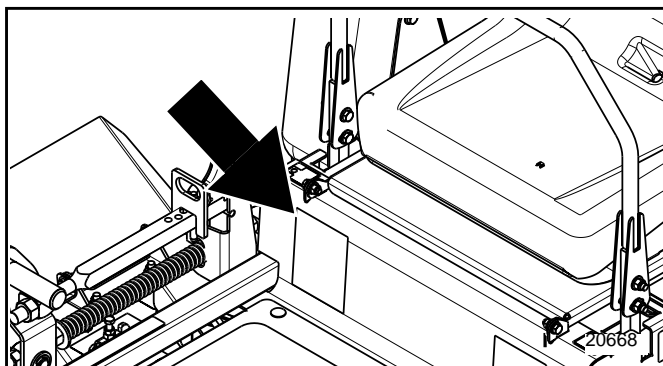
ROTATING BLADE HAZARD

- Keep Away - Rotating Blades
- To prevent serious injury or death from thrown object:
- Do not operate with deflectors removed.
- Do not point discharge toward people, animals or buildings when operating.
- Do not place hands or feet under deck when operating or when engine is running.

SW900

838-308C

Warning: Rotating Blade Hazard (Both Sides)



! WARNING

To prevent serious injury or death:

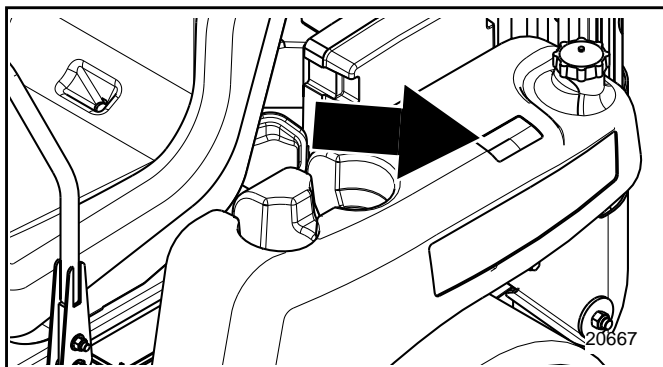
- Read and understand Operator's manual before using.
- Always maintain a safe distance from people and pets when mowing.
- Do not permit riders on the mower. Never carry child on tractor seat.
- Operate with guards installed and in good condition.
- Keep away from moving parts.
- Stop engine, set brake and wait for all moving parts to stop before dismounting.
- Do not allow children to operate mower.
- Clean debris from mowing area.
- Support securely before working beneath unit.
- Review safety instructions annually.

Si no lee ingles, pida ayuda a alguien que si lo lee para que le traduzca las medidas de seguridad.

838-310C

838-310C

Warning: General



! WARNING!

838-399C

Warning: Fuel Imbedded in Fuel Tank

Introduction

Land Pride welcomes you to the growing family of new product owners.

This mower has been designed with care and built by skilled workers using quality materials. Proper assembly, maintenance, and safe operating practices will help you get years of satisfactory use from this mower.

Application

The Razor Z Mowers from Land Pride are compact in size and ideal for homeowner grass maintenance. The Razor Z is a true zero-turn mower: When mowing alongside a building or landscaping, the Razor Z turns within its own width, allowing you to turn away and not hit anything with the rear end. Also the steering lever heights are adjustable making the mower comfortable to handle.

Using This Manual

- This Operator's Manual is designed to help familiarize you with safety, assembly, operation, adjustments, troubleshooting, and maintenance. Read this manual entirely prior to operation and follow the recommendations to help ensure safe and efficient operation.
- The information contained within this manual was current at the time of printing. Some parts may change slightly to assure you of the best performance.
- To order a new Operator's or Parts Manual contact your authorized dealer. Manuals can also be downloaded, free-of-charge from our website at www.landpride.com or printed by your dealer from the Land Pride Service & Support Center CD-Rom.

Terminology

"Right" or "Left" as used in this manual is determined by facing the direction the machine will operate while in use unless otherwise stated.

Definitions

NOTE: A special point of information that the operator must be aware of before continuing.

IMPORTANT: A special point of information related to its preceding topic. Land Pride's intention is that this information should be read and noted before continuing.

Owner Assistance

The Warranty Registration card should be filled out by the dealer at the time of purchase. This information is necessary to provide you with quality customer service.

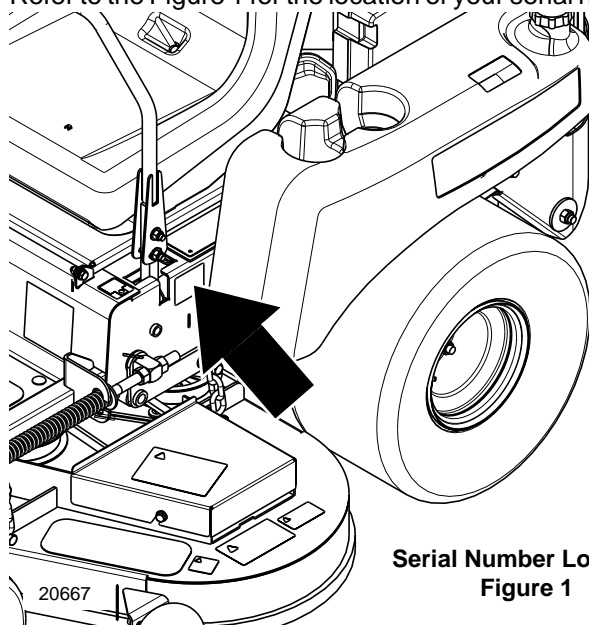
If customer service or repair parts are required contact a Land Pride dealer. A dealer has trained personnel, repair parts and equipment needed to service the mower.

The parts on your Razor Z Mower have been specially designed and should only be replaced with genuine Land Pride parts. Therefore, should your Razor Z require replacement parts go to your Land Pride Dealer.

For parts and service for your Honda Engine contact your nearest Honda Dealer or Call Customer Service Hotline.
 Honda Engine Information:
 Service Manual: 16 HP - P/N 61ZJ410
 18 HP - P/N GXV610K1
 20 HP - P/N GXV620K1
 Owner's Manual: 16 HP - P/N 31ZoA600
 18 HP - P/N 31ZJ4620
 20 HP - P/N 31ZJ4620
 Service Hotline: 1-770-497-6400

Serial Number Location

Refer to the Figure 1 for the location of your serial number.



Serial Number Location Figure 1

Further Assistance

Your dealer wants you to be satisfied with your new mower. If for any reason you do not understand any part of this manual or are not satisfied with the service received, the following actions are suggested:

1. Discuss the matter with your dealership service manager making sure he is aware of any problems you may have and that he has had the opportunity to assist you.
2. If you are still not satisfied, seek out the owner or general manager of the dealership, explain the problem and request assistance.
3. For further assistance write or E-mail to:

Land Pride
Service Department
 P.O. Box 5060
 Salina, KS 67402-5060

E-mail Address
lp servicedept@landpride.com

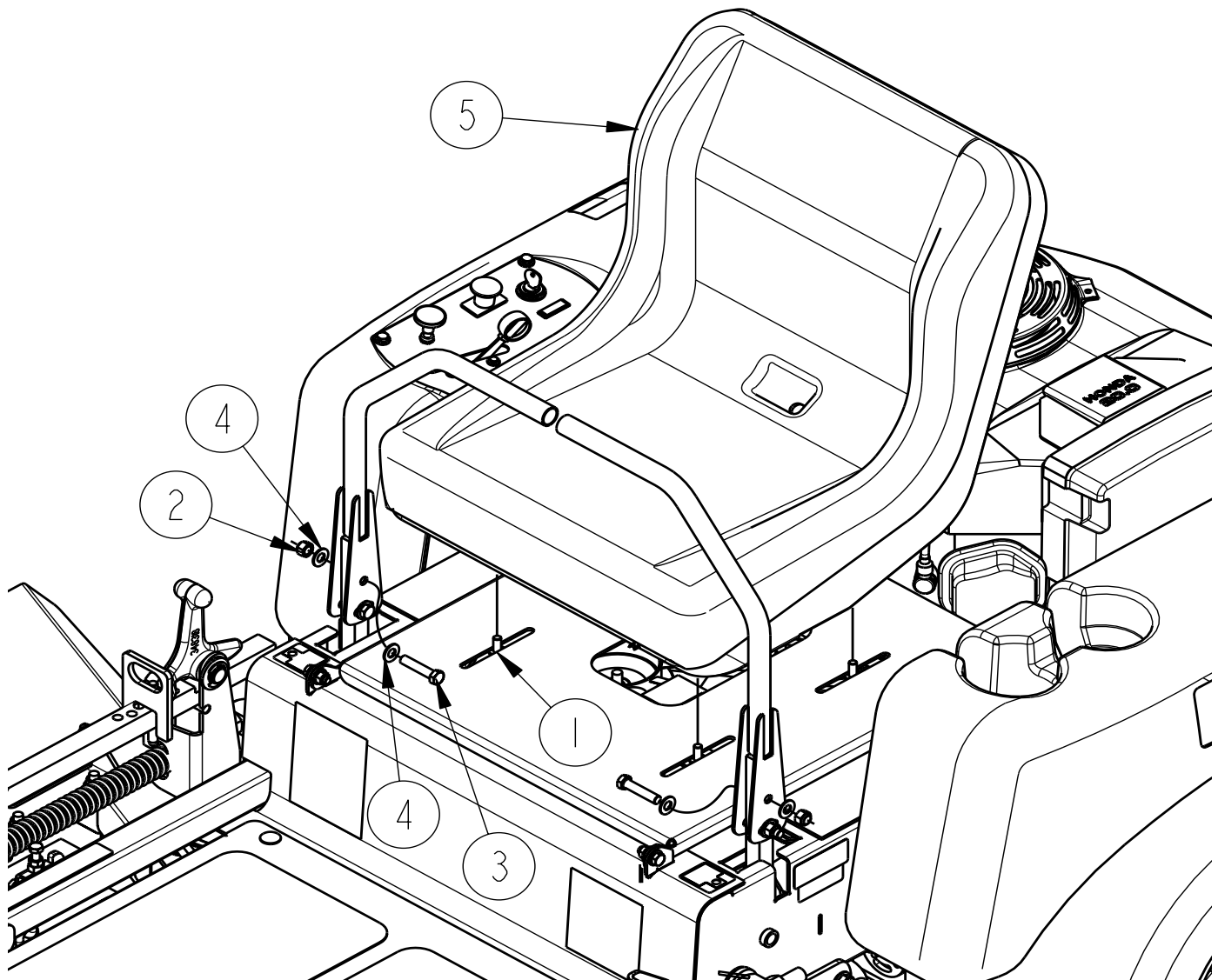
Section 1: Assembly and Set-Up

Control Lever & Seat Assembly

Refer to Figure 1-1:

The seat (#5) is shipped loose for ease in shipping and the control lever's upper bolts (#3) nuts (#2) and flat washers (#4) are removed and the levers are rotated down.

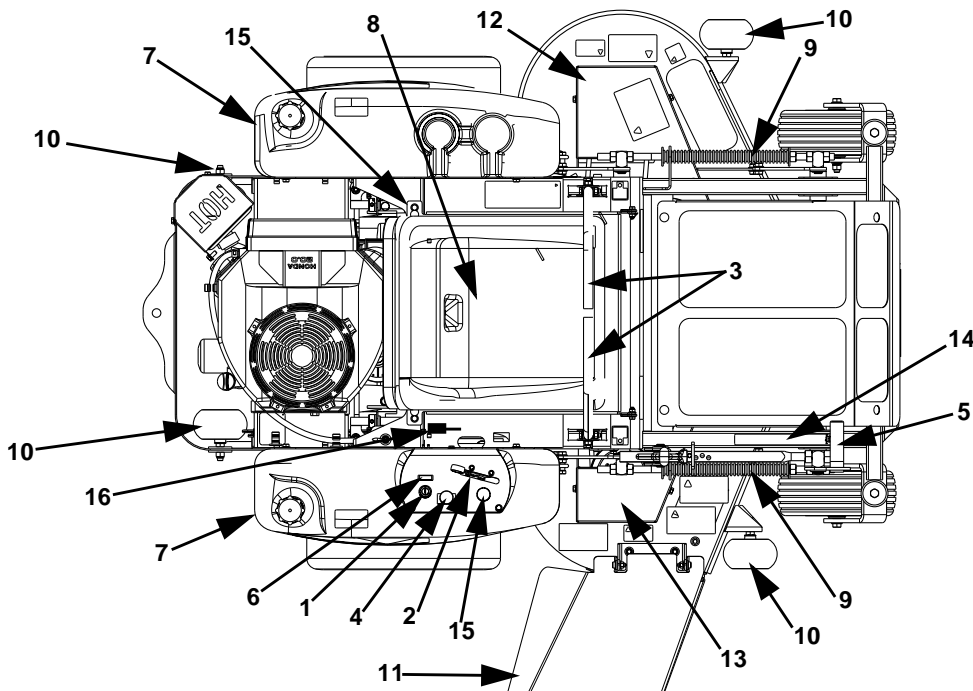
2. Mount the standard seat, in the operating position, to the seat platform with the four 5/16" x 3/4" bolts (#1) and four 5/16" flat washers (the platform is slotted so the seat can be adjusted to the operator). Connect the switch wires on the mower with the switch wires on the seat.
3. Mount the deluxe seat (optional), in the operating position, to the seat platform with the four 5/16" nuts and four 5/16" flat washers (the platform is slotted so the seat can be adjusted to the operator). Connect the switch wires on the mower with the switch wires on the seat.
4. Rotate the control levers up until the holes line up and replace the bolts and flat washers as shown.



Control Lever & Seat Assembly
Figure 1-1

20683

Section 2: Operating



20671

- | | | | |
|----------------------------|-----------------------|-----------------------|--------------------------------|
| 1. Ignition Switch | 5. Deck Lift Pedal | 9. Deck Adjusting Rod | 13. Right Deck Cover |
| 2. Throttle Lever | 6. Oil Pressure Light | 10. Anti-Scalp Wheels | 14. Deck Height Indicator |
| 3. Control Levers | 7. Fuel Tanks | 11. Discharge Chute | 15. Choke Lever |
| 4. Blade Engagement Switch | 8. Battery | 12. Left Deck Cover | 16. Left/Right Fuel Tank Valve |

Razor Z Controls
Figure 2-1

! WARNING!

Do not operate mower while smoking!

Controls

IMPORTANT: When access is required under the seat platform and the seat is equipped with the optional arm rests, make certain to place the control arms in the park brake position (out) and pivot the arm rests upward before placing the seat platform in the full forward position to prevent arm rest damage.

For general location of the controls described in this section, refer to Figure 2-1.

Ignition Switch

Refer to Figure 2-2:

A three position switch: off, run, and start. With key inserted, rotate it clockwise to START position; release key when engine starts, and switch will automatically return to the RUN position.

Throttle

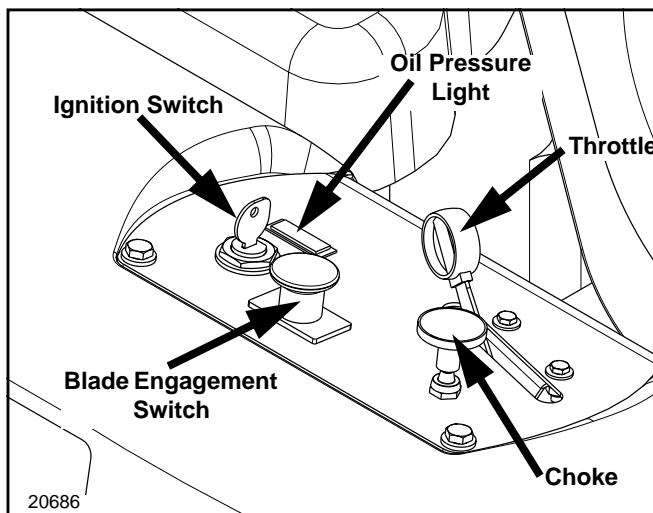
Refer to Figure 2-2:

A cable is linked to engine throttle for controlling engine speed. Move lever forward to increase engine rpm, move lever rearward to decrease engine rpm.

Choke

Refer to Figure 2-2:

A cable is linked to manually operate the engine choke. When the lever is in the down position, the choke is in the off (run) position. When the lever is pulled up, the choke is in the on (start) position. **DO NOT** operate the machine with the choke in the on (start) position.



20686

Control Panel
Figure 2-2

Section 2: Operating

Left/Right Fuel Tank Valve

Refer to Figure 2-3:

The mower is equipped with a Left/Right Fuel Tank Valve that will determine which fuel tank the mower is operating from. It is not important which fuel tank the mower is using.



Left/Right Fuel Tank Switch
Figure 2-3

Blade Engagement Switch

Refer to Figure 2-2:

The Blade engagement switch engages the deck blades. Pull the switch up to engage and push switch down to disengage the blades.

IMPORTANT: Never engage blades with engine running at high rpm or when the deck is under load. Clutch, belts or deck could be damaged.

Control Levers

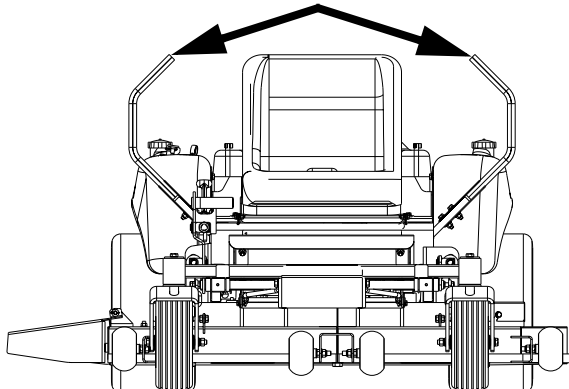
Refer to Figure 2-4

The Parking Brakes are applied by moving the control levers from the Neutral Position (Figure 2-5) to an outward position (Refer to Figure 2-4). Each rear wheel brake operates independently of the other.

! WARNING!

In the event of a system failure while mowing, engage both parking brakes to stop or slow mower. Refer to Figure 2-4.

Control Levers

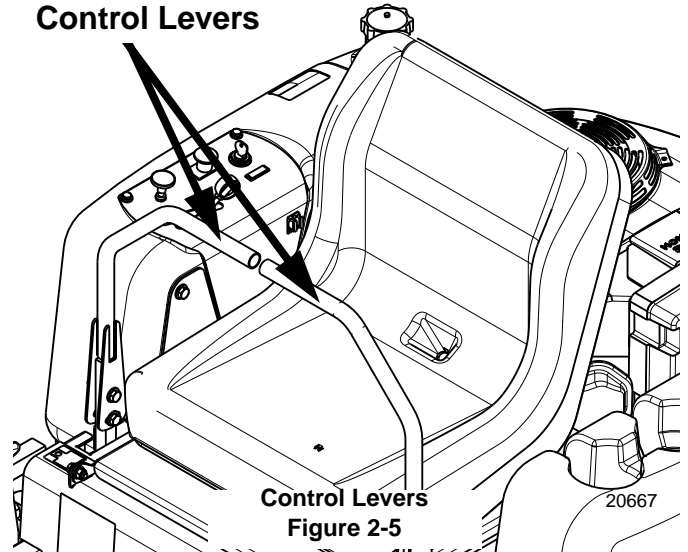


Control Levers in Parking Brake Position 20672
Figure 2-4

Refer to Figure 2-5:

These levers control the mower's speed, direction, neutral lock and park brake. Levers are used to steer, accelerate, brake and change direction. The mower will not move when engine is on, drive pumps are operating and control levers are in park brake position (out).

Control Levers



Control Levers 20667
Figure 2-5

! WARNING!

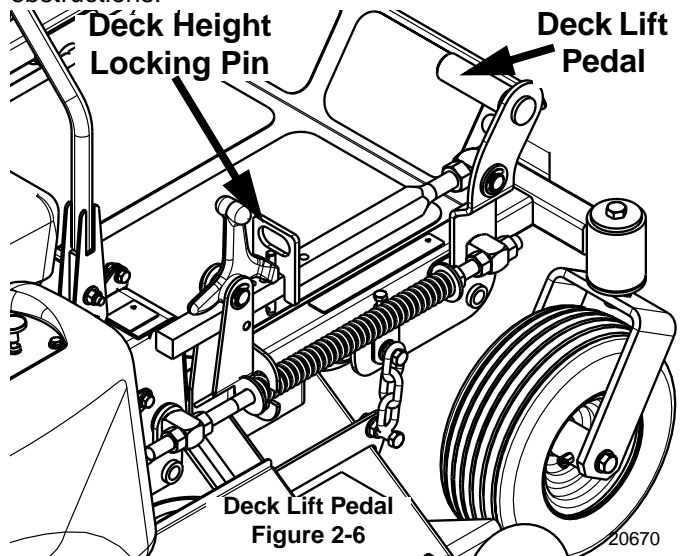
The parking brake is not designed to hold the mower on steep slopes.

Deck Lift Pedal

Refer to Figure 2-6:

The deck lift pedal is used to raise or lower the deck. Push on the pedal to raise the deck and then place the deck height locking pin into the desired cutting height hole.

Push the deck lift pedal to raise the deck when going over obstructions.



Deck Lift Pedal 20670
Figure 2-6

Section 2: Operating

Instrumentation

Oil Pressure Light

Refer to Figure 2-2:

This light comes on when the ignition switch is placed in the RUN position and stays lit until the engine is running and a safe oil pressure is developed. If light comes on during operation, shut engine off immediately and locate and correct the problem.

Safety Start Interlock System

The mower is equipped with a safety start interlock system consisting of the brake switches, seat switch and blade engagement switch. Check mower safety start interlock system daily, prior to operation. This system is an important mower safety feature. It should be repaired immediately if it malfunctions. The machine incorporates a separate seat switch which will stop the mower engine when the operator is unseated for any reason while the mower is moving or the blades are engaged. This is a safety feature designed to prevent runaway or accidental entanglement. To inspect the system:

5. The operator must be on the seat when testing the seat switch.
6. Set both control levers in the park brake position.
7. Start the engine and allow it to warm up to operating temperature.
8. With the blade engagement switch down and the control levers in the park brake position, slowly raise off of the seat. The engine should continue to run.
9. With the blade engagement switch up and/or the control levers in the neutral position, slowly raise off of the seat. The engine should stop within two seconds.
10. If the engine fails to stop when the blade engagement switch is up or one or both of the control levers is in and the operator is off the seat, check the function of the seat switch. If the seat switch is not operating properly (is not opening or closing) and if the cause cannot be determined, replace the seat switch.

If the problem cannot be located, contact your Land Pride Dealer.



WARNING!

The safety interlock system should always function per steps 4 and 5. If it does not function properly, it should be corrected immediately. Do not operate machine without a properly functioning seat safety switch.

Engine Starting

The Razor Z safety start interlock system is also designed to protect the operator and others from accidental injury due to unintentional engine starting. The engine starting motor will not engage until:

- A. Control levers are in the brake position.
- B. Blade engagement switch is in the down (OFF) position.



WARNING!

The safety interlock system must not be disconnected or bypassed.

NOTE: The operator's seat is equipped with a separate safety switch. If for any reason the operator should become unseated when the neutral switches are disengaged or the blade engagement switch is engaged the engine will stop.

The following steps are the correct procedures for starting the engine. If difficulty is encountered, contact the Land Pride Dealer in your area.

1. Before starting mower each day, perform daily pre-operation checking. (See "**Safety Start Interlock System**" on this page.)
2. Make sure the control levers are in the brake position and blade engagement switch is disengaged.
3. Set throttle at approximately 1/2 open position.

NOTE: Use choke position when engine is cold, or if warm engine fails to start within 5 seconds of cranking. Avoid flooding and operate engine without choking as soon as possible.

4. Insert key in ignition switch and rotate clockwise to engage starting motor. Release key when engine starts.

IMPORTANT: The engine starter should not be operated for periods longer than 30 seconds at a time. An interval of at least two minutes should be allowed between such cranking periods to protect the starter from overheating and burn-out.

5. Perform test to make sure safety start interlock system is operating properly. Refer to "**Safety Start Interlock System**" on this page.
6. As soon as engine begins to run, check to make certain the oil warning light is off. If not, stop engine immediately and check for the cause. Refer to "**Troubleshooting**" page 34.
7. Allow the engine to idle a few minutes before advancing the throttle and/or engaging the blade clutch.
8. Before stopping the engine, place the control levers in the brake position, disengage the blade engagement, and throttle back to low idle for a couple of minutes; then rotate ignition key counter-clockwise to the OFF position. Remove the key from switch before leaving the seat.



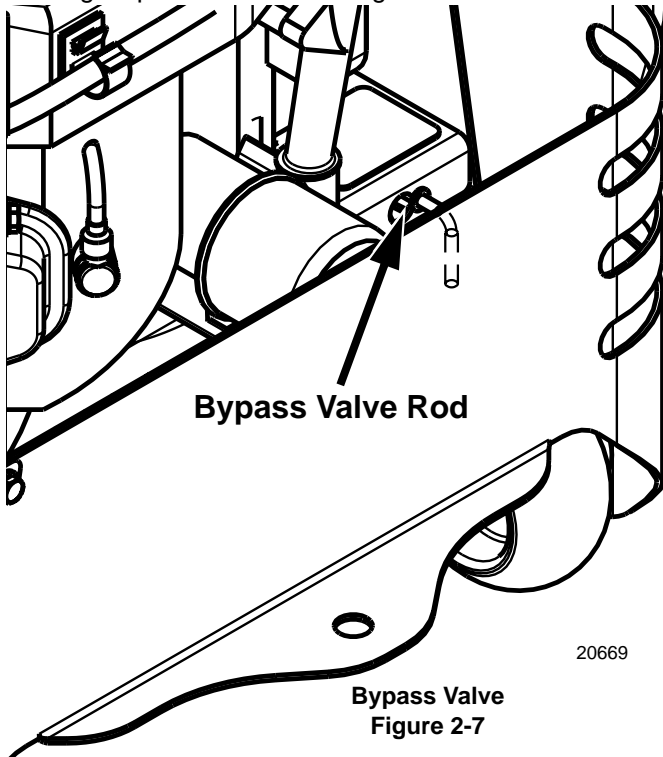
WARNING!

Never leave the machine unattended with key in ignition switch.

Section 2: Operating

Moving Mower with Stalled Engine

If it becomes necessary to move the mower when the engine is inoperable, the hydro-drives are equipped with bypass valves. Before moving the unit, pull out on the bypass valve rods and slide them into the slot to lock in position. Both bypass valve rods are located at the rear of the engine platform. Refer to Figure 2-7.



The control levers must be placed in the neutral position, to release the park brakes, so that the mower can be moved.

Do not tow the machine. Move it by hand or use a winch to load on a trailer for transporting.

IMPORTANT: Following repairs, always make certain the two bypass valves are returned to their operating position before running the mower.

Driving the Mower

DANGER!

Never make sudden stops or sudden reversing of direction, especially when going down a slope. The steering is designed for sensitive response. Rapid movement of the control levers in either direction could result in a reaction of the mower that can cause serious injury.

Steering

Refer to Figure 2-8:

After starting engine, engage the control levers and steer as follows:

To Go Forward:

Push control levers forward an equal distance.

To Go in Reverse:

Pull control levers rearward an equal distance.

To Turn Left:

Move the right control lever farther forward from neutral than the left control lever.

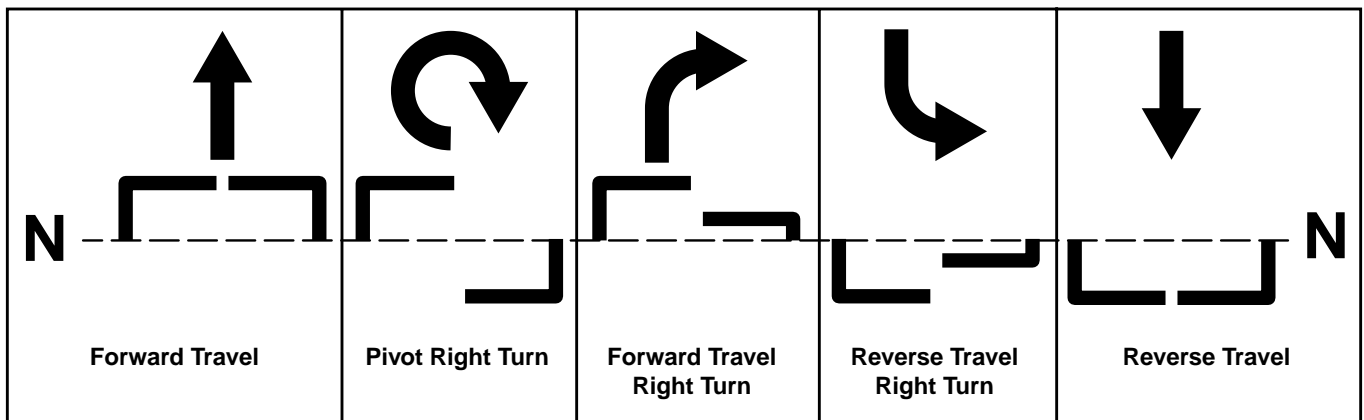
To Turn Right:

Move the left control lever farther forward from neutral than the right control lever.

To Pivot Turn:

Move one control lever forward and the other control lever back of neutral, this will allow the drive wheels to counter-rotate.

Front of Mower Faces This Direction



N= Neutral Position

Direction of arrows indicate direction of mower movement.

Steering
Figure 2-8

Section 2: Operating

To Stop or Decrease Speed

WARNING!

In the event of a system failure while mowing, engage both parking brakes to stop or slow mower. Refer to Figure 2-4.

Move control levers to neutral. When going forward pull back gently on control levers. When going in reverse push forward gently on control levers.

DANGER!

When going in reverse push forward gently on control levers and avoid sudden movement. Any sudden movement could cause the front of the mower to come off of the ground resulting in possible loss of control.

To Increase Speed

Increase control levers equal distance from neutral. The farther forward control levers are from neutral, the faster mower will travel forward. The farther back control levers are from neutral, the faster mower will go in reverse.

Operating Suggestions

DANGER!

Prior to operating the mower the operator should be thoroughly familiar with the proper use and operation of the equipment, should read the manual completely and thoroughly, and should have attempted slow moving maneuvers to become familiar with the operation of the equipment before attempting normal speed operation. An inexperienced operator should not mow on slopes or on uneven terrain.

WARNING!

The mower's control levers are very responsive: Easy does it! For smooth operation, move lever slowly, avoid sudden movement. Skill and ease of operation come with practice and experience.

Inexperienced operators may have a tendency to over-steer and lose control. Slow-moving practice maneuvers are recommended to become familiar with these characteristics before attempting normal speed operation.

WARNING!

Sharp depressions or raised obstacles (such as gutters or curbs) should not be directly approached at high speed in an attempt to jump them as the operator could be thrown from the mower. Approach at a slow speed and angle one drive wheel at the obstruction. Continue at an angle until the wheel clears and then pivot the opposite wheel around.

When turning on soft wet turf, keep both wheels rolling either forward or backward. Pivoting on one stopped

wheel can damage turf. This is especially important when mowing.

Peak mowing performance is maintained when the throttle is set at full rpm. This gives maximum power to the drive wheels and deck when needed. Use the control levers to control ground speed rather than engine rpm.

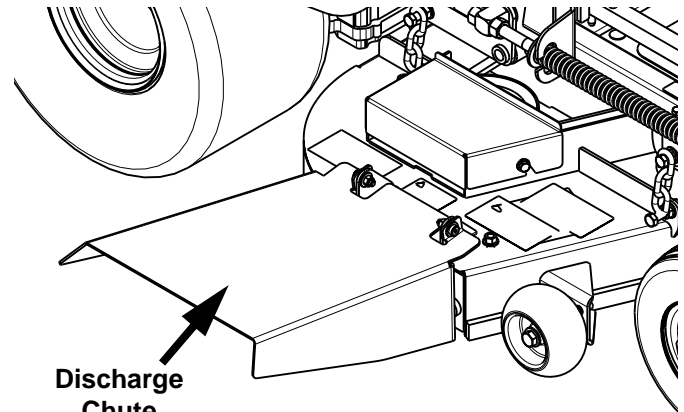
WARNING!

Do not operate the equipment while wearing sandals, tennis shoes, sneakers, shorts or any type of loose fitting clothing. Always wear long pants, safety glasses and safety shoes when operating this machine.

Keep blades sharp. Many problems with incorrect cutting patterns are due to dull blades or blades which have been sharpened incorrectly. Information on sharpening blades is listed in this manual's maintenance section. In addition, most communities have individuals or companies which specialize in sharpening mower blades. Blade sharpness should be checked daily.

Use high blade speed. Your Razor Z is designed to operate at full throttle. The throttle setting directly controls blade speed. The highest blade speed generally gives the best cut.

Direct grass discharge to right, away from unmown area. Select a mowing pattern that directs grass discharge towards the outside, not towards center, of mowing area. Generally, this means using a pattern utilizing left turns because side discharge is to the right. Refer to Figure 2-9. In any case, avoid throwing grass discharge onto unmowed area because grass is then mowed twice. Mowing twice puts an unnecessary load on the mower and reduces mowing efficiency.



Discharge Chute
Figure 2-9

20678

WARNING!

Never direct discharge of material from mower deck towards bystanders.

Section 2: Operating

WARNING!

Never operate the mower deck with discharge chute removed or in raised position.

WARNING!

Always check area to be mowed for rocks and other debris before mowing.

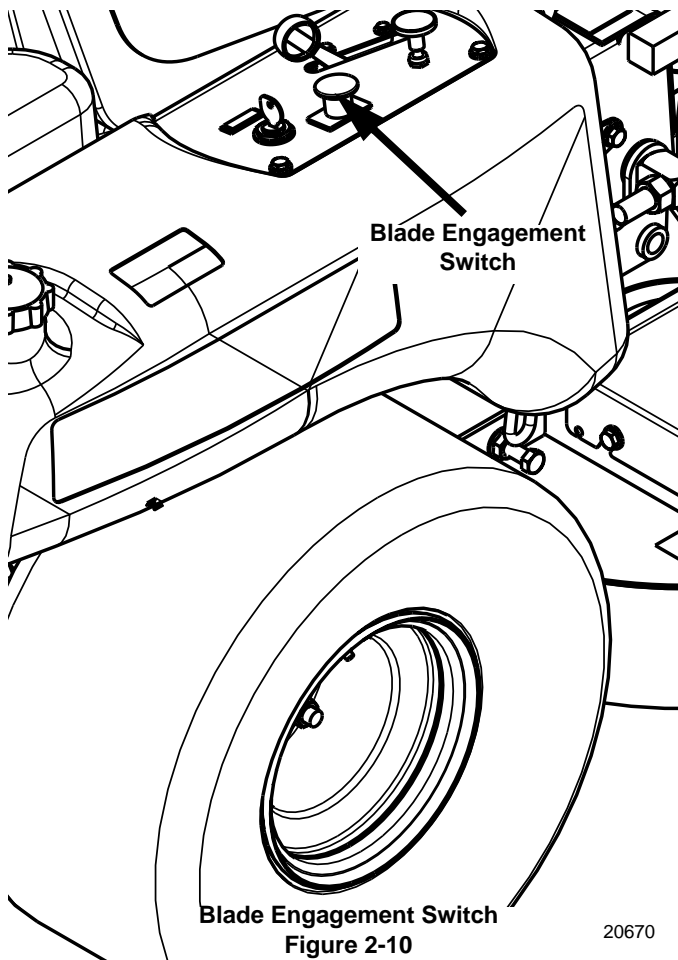
Mower Deck Operation

DANGER!

Never attempt to make any adjustments to the mower deck while the engine is running or when the blades are engaged. Mower blades cannot be seen and are located very close to deck housing. Fingers and toes can be cut off instantly.

With the engine running, engage the blades (Refer to Figure 2-10) and advance engine throttle to full rpm.

NOTE: Engaging the blades at high engine rpm or when under heavy load (in tall grass for example) can cause belts to slip, resulting in premature wear or possible damage.



Operating Instructions

After thoroughly familiarizing yourself with the Operator's Manual and completing the Operator's Checklist, you are almost ready to begin mowing.

Approach the mower from the front. Spread the steering levers fully apart if they aren't already in the wide-open parking brake position. Taking care not to step on either side of the mower deck, step up on the operators' platform and comfortably seat yourself. With both steering levers still wide apart now reach for the throttle and choke control to your right side. Position the throttle control at half throttle and pull the choke to the "up/on" position. Insert your ignition key and rotate the ignition key clockwise until you hear the engine begin to start. Release the ignition key and push the choke to "down/off" position. Allow the engine to warm up momentarily. If your mower has just been running and the engine is already warm, using the choke is usually not necessary.

With the engine at half throttle reach forward and bring both steering levers equally together in the neutral position just in front of you. It's now time to test your steering skills. Gently push both steering levers equally forward. The farther forward you push the levers the faster you will go. Pull back equally and you will slow down coming to a stop when you reach the neutral position. Now slowly pull the levers back toward your body past neutral position. The mower will reverse direction and increase in speed as you pull further back. If you push one lever forward and pull one lever back the mower will do a Zero turn in the direction of the steering lever closest to your body. Now take a few moments in a safe area to practice steering your mower with the engine still at half throttle. Gradually increase your throttle speed until you feel totally confident in your mower steering and handling ability.

It's now time to cut the grass. Hopefully you have already removed any obstacles from the lawn that you do not want run over. With your mower at half throttle, place your right foot on the deck lift pedal and release and lower the deck to your preset cutting height. With your right hand, pull up on the cutting blade engagement knob and increase the engine speed to full throttle. You may now begin mowing.

When you are done mowing or just want to take a break, make sure you do all of the following. Park on level ground, disengage the cutting blade, throttle back, leave the steering levers in wide-open parking brake position, turn the engine off, remove the key, and step carefully off the front of the machine.

Section 3: Adjustments

! WARNING!

Unless specifically required, **DO NOT** have engine running when servicing or making adjustments to the mower. Place control levers in the park brake position and remove ignition switch key. Repairs or maintenance requiring engine power should be performed by trained personnel only. To prevent carbon monoxide poisoning, be sure proper ventilation is available when engine must be operated in an enclosed area. Read and observe safety warnings in front of manual.

Your Razor Z was adjusted before it left the factory and was checked during pre-delivery set-up. However, after start-up and continued use, a certain amount of break-in wear will cause some adjustments to change.

Remain alert for unusual noises, they could be signaling a problem. Visually inspect the machine for any abnormal wear or damage. A good time to detect potential problems is while performing scheduled maintenance service. Correcting the problem as quickly as possible is the best insurance.

! WARNING!

Keep your machine clean and remove heavy deposits of trash and clippings. They can cause engine fires and hydraulic overheating as well as excessive belt wear.

Clear away heavy build-up of grease, oil and dirt, especially in the area of oil, fuel and engine combustion air; minute dust particles are abrasive to close-tolerance engine and hydraulic assemblies.

Some repairs require the assistance of a trained service mechanic and should not be attempted by unskilled personnel. Consult your Land Pride service center when assistance is needed.

Torque Values

! WARNING!

Particular attention must be given to tightening the drive wheel lug nuts and blade spindle bolts. Failure to correctly torque these items may result in the loss of a wheel or blade, which can cause serious damage or personal injury.

Torque Values		
	FT - lbs.	N-m
Wheel lug nuts	65 - 75	88.14 - 101.7
Blade spindle bolts (top and bottom)	118	160.01

It is recommended that the following be checked after the first 2 hours of initial operation, and every 50 hours following removal for repair or replacement:

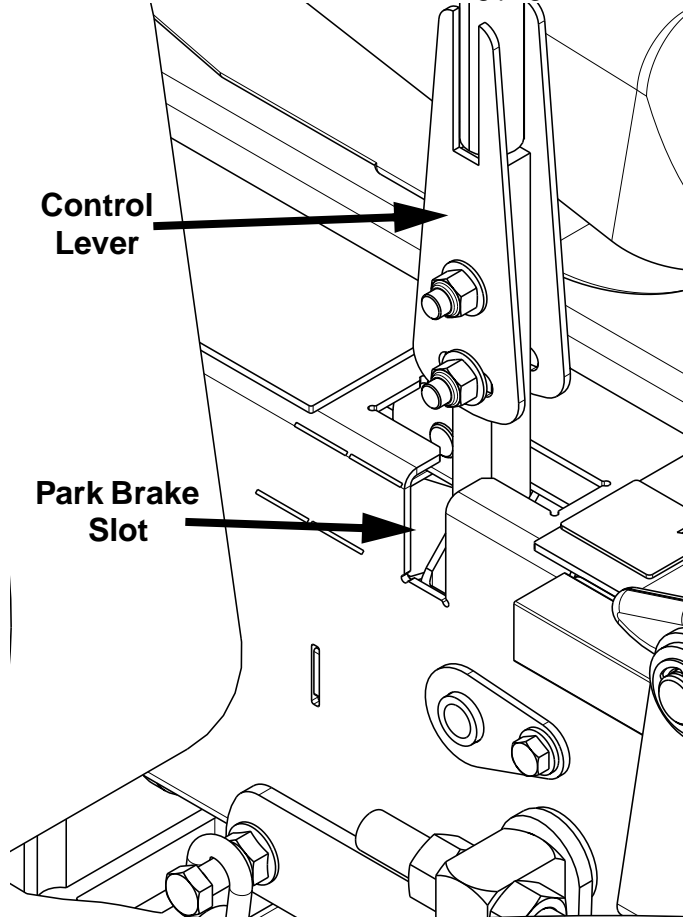
- Wheel lug nuts
- Wheel motor nut
- Blade spindle bolts (top and bottom)
- For engine torque values, see engine owner's manual.

Steering Linkage

The neutral adjustment for the control levers in the neutral position is discussed in this section.

The steering has been factory adjusted to eliminate creeping when the control levers are in the neutral position (Refer to Figure 3-1).

However, should the mower begin to creep, adjustments can be made as outlined on the following page.



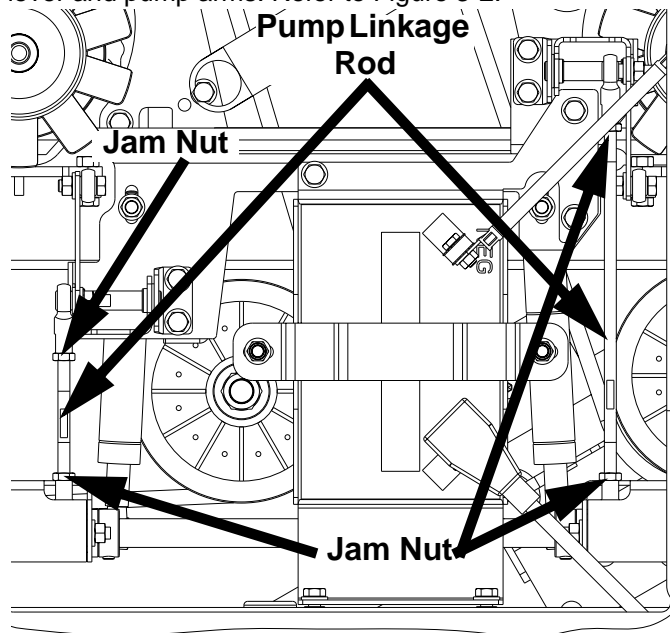
20684 **Control Lever In Neutral Position**
Figure 3-1

Section 3: Adjustments

Control Lever Neutral Adjustment

Before considering any adjustment, check the tire air pressure and make certain hydraulic system oil is at operating temperature. Unequal tire pressure will cause the mower to drift to one side. Refer to “**Tire Inflation Chart**” on page 17 and page 35.

Fine adjustment to the steering is made with the adjustable pump linkage rods located between the control lever and pump arms. Refer to Figure 3-2.



Steering Control Linkage
Figure 3-2

Neutral is properly adjusted when the control levers are in the neutral position and the drive wheels are not turning.

If the mower creeps in the neutral position the control linkage may be adjusted as follows:

9. Raise and block the mower up so the drive wheels are off of the floor.

! WARNING!

Make certain mower is secure when it is raised and placed on the jack stands. The jack stands should not allow the mower to move when the engine is running and the drive wheels are rotating. Use only certified jack stands.

10. Position the control levers in the neutral position. Disengage the blades.
11. Start the engine and observe which way the wheels are rotating.
12. If wheel(s) are rotating forward, loosen the jam nuts on the pump linkage rods and rotate the rod to lengthen the steering control linkage until the wheel(s) come to a stop. Refer to Figure 3-2. Repeat for the opposite side if necessary.

NOTE: The left linkage controls the right hydraulic pump and the right linkage controls the left hydraulic pump.

13. If wheel(s) are rotating in reverse then loosen the jam nuts on the pump linkage rods and rotate the rod to shorten the steering control linkage until the wheel(s) come to a stop. Refer to Figure 3-2. Repeat for the opposite side if necessary.
14. When both wheels remain in neutral, tighten the jam nuts to lock the turnbuckle in place.
15. Test again by moving the control levers forward and backward before returning them to the neutral position. If the tires are in neutral, the unit is now ready for operation.

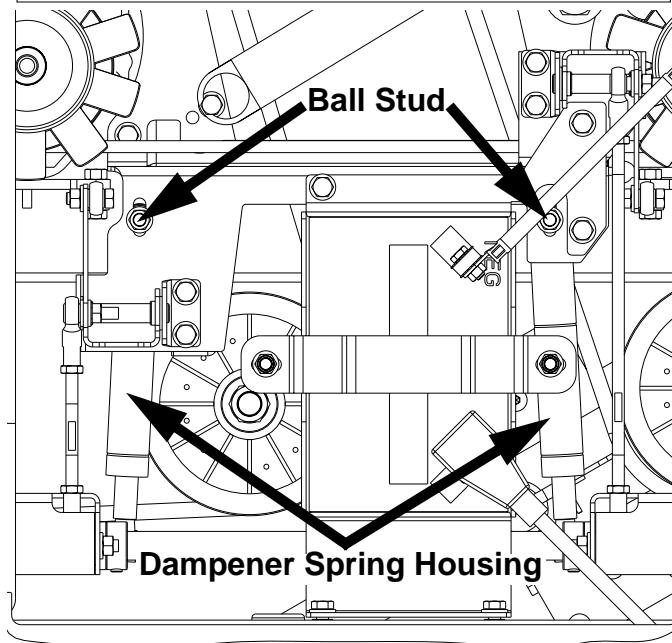
Steering Dampener

Refer to Figure 3-3:

The steering dampeners are incorporated into the unit to provide some resistance when the control levers are moving forward or rearward. To set the steering dampeners in the correct operating position follow these steps:

1. Place the control lever in the neutral position.
2. Loosen the steering dampener’s rear ball stud.
3. Pull the dampener spring housing, to the rear, past the point that the internal spring is engaged.
4. Release the dampener spring housing and allow the internal spring to bring the housing back to the neutral position.
5. Tighten the nut on the steering dampener’s rear ball stud.
6. To check, move the control lever to the reverse position and release. The control lever should return to the neutral position. If not, repeat steps 1 through 6.

NOTE: The dampener must not bottom out when the pump lever is fully stroked in either direction.



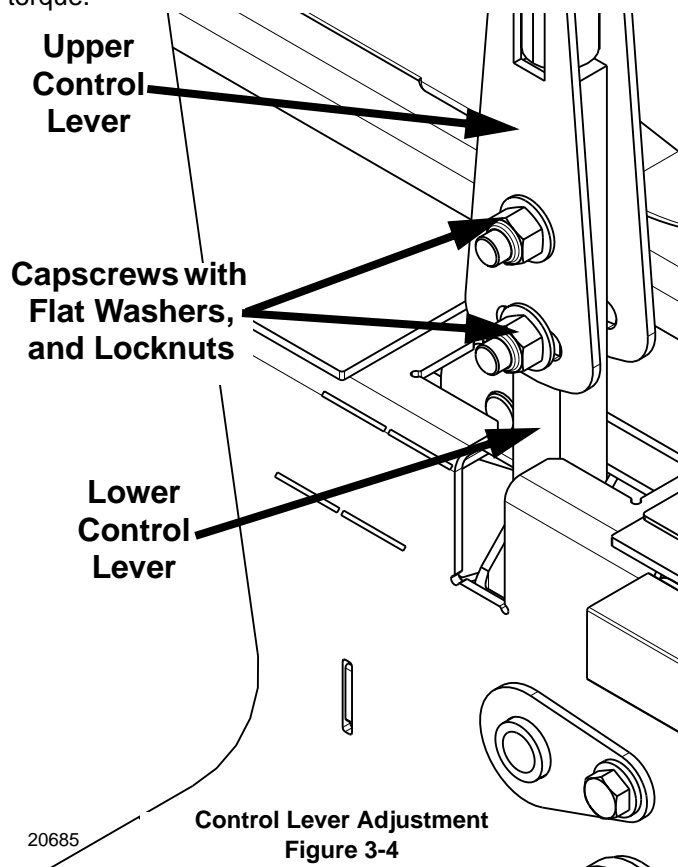
Steering Dampener
Figure 3-3

Section 3: Adjustments

Control Lever Adjustment

Refer to Figure 3-4

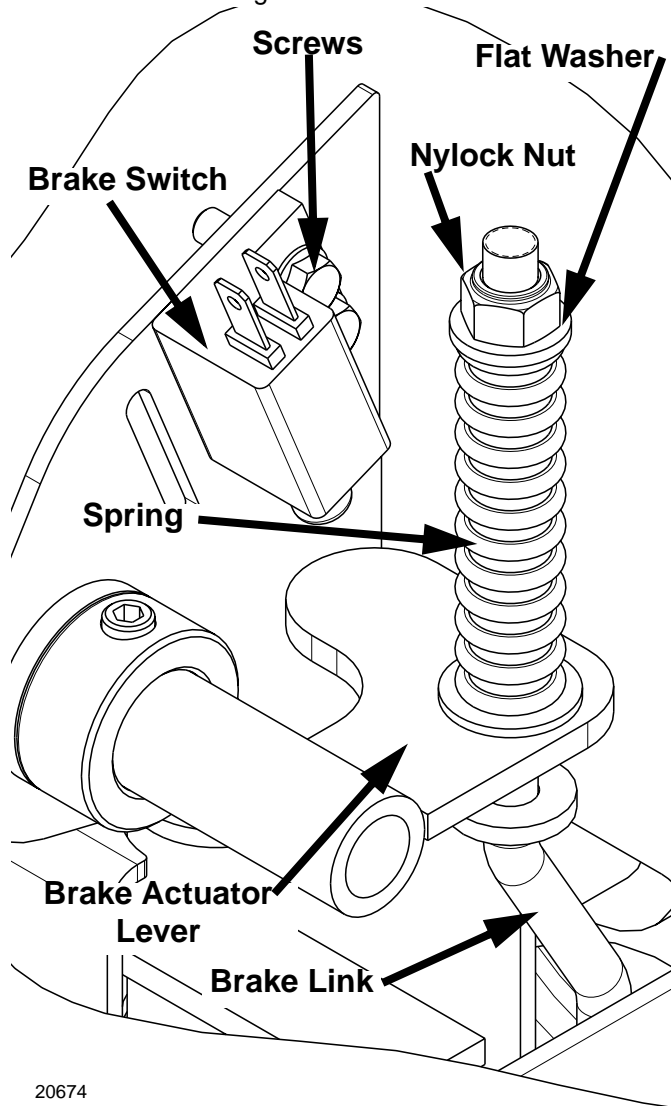
The control levers may be adjusted vertically and pivoted forward or backward for operator comfort. Adjust the control levers vertically by removing the capscrews, flat washers, and locknuts that attach the upper control levers to the lower control levers. Reposition the upper control levers to a height that fits the operator's personal preference. Reassemble the capscrews, flat washers, and locknuts in the same order they were removed without tightening them. Pivot the upper control levers forward or backward to again fit the operator's personal preference. Verify that the control levers align with each other when in the neutral position and tighten the locknuts to correct torque.



3. Tighten the nylock nut on top of the spring assembly until it is touching the top flat washer. DO NOT compress the spring.
4. Place the control lever in the park brake position. The brake pawl should now be activated and engaging the integrated pump/motor brake gear.
5. Repeat steps 2 through 4 for the other side.

Brake Switch Adjustment

1. Loosen the screws holding the brake switch.
2. Slide the switch all the way down until it is fully activated (button pushed in) against the brake actuator lever. Tighten screws.



**Brake Adjustments
Figure 3-5**

Park Brake

Refer to Figure 3-5:

Brake Spring Adjustment

Occasionally check the park brakes and adjustment using the following method:

1. Position the control levers in the neutral position. Disengage the blades.
2. Make sure the brake actuator lever and the brake link are all the way down.

Section 3: Adjustments

Hydro-Drive Belt Adjustment

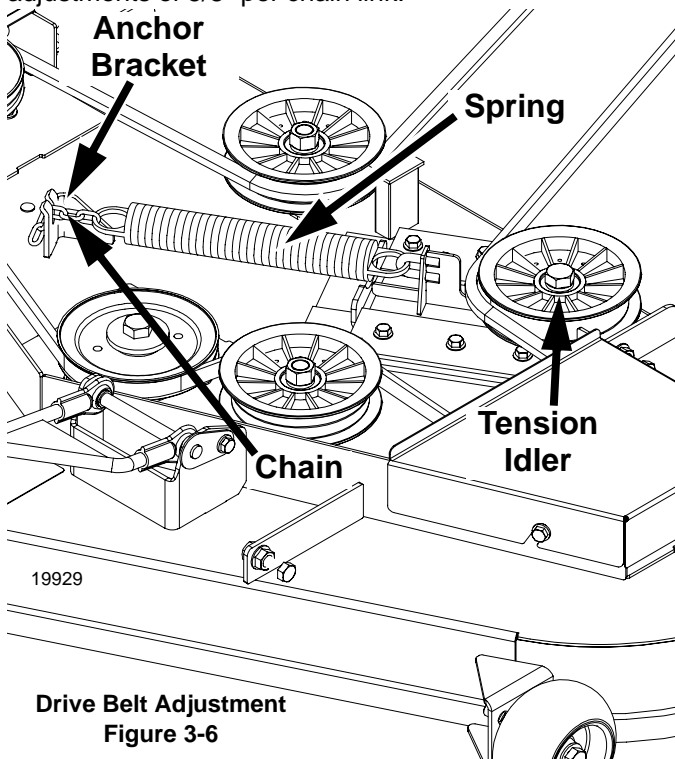
The pump drive belt tension remains constant by means of a tension idler and spring. There is no tension adjustment of this belt.

Deck Drive Belt Adjustment

Refer to Figure 3-6:

The spindle belt tension remains constant by means of a tension idler and spring.

The spring tension should be such that the belt does not slip under normal operating load conditions, assuming the belt is not excessively worn or damaged. As belt stretches and wears in, adjustment may become necessary. To increase belt tension, move the spring chain one (or more) link(s) at the anchor bracket (Figure 3-6). Installed spring length should be 7 1/2" + or - 3/8" originally with adjustments of 5/8" per chain link.

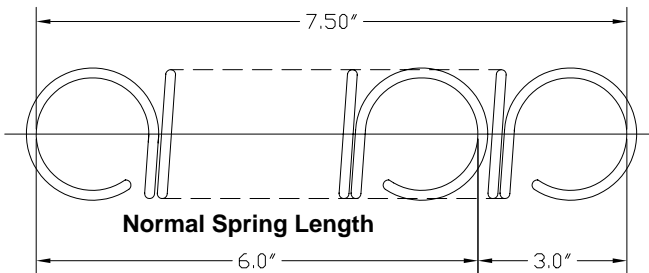


19929

Drive Belt Adjustment
Figure 3-6

IMPORTANT: Do not over tension the spring to compensate for a badly worn belt or pulley.

Spring Extension



19930

Spring Tension
Figure 3-7

Engine RPM Setting

The Razor Z is designed so that the engine will run at 3600 rpm static pump load only. At this speed the hydraulic pumps are running at their maximum rated speed.

Deck Leveling and Height Adjustment

The mower deck has three areas that may need to be checked and adjusted periodically. Before considering any mower deck leveling adjustments, check that the tire air pressure is within the specified range.

WARNING!

Stop engine. Make sure deck clutch switch is in the down (OFF) position. Place control levers in the brake position before leaving machine.

Deck Level Adjustments

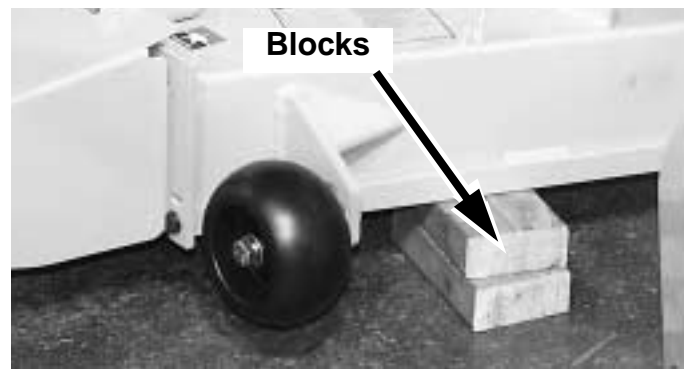
Leveling the deck must be done in the following manner and order:

1. Check tire pressures to make certain they are properly inflated before starting to level deck.

Tire Inflation Chart	
Tire	Inflation PSI
Drive Wheels	8-12
Gauge Wheels	8-12

2. Park the unit on a flat surface.
3. Raise deck and place 3" of blocking under all 4 corners of the deck. This will set the cutting height at 3 1/4". Refer to Figure 3-7.

NOTE: Back of deck will automatically be set 1/4" higher.



Blocking up Deck
Figure 3-7

Section 3: Adjustments

- Set cutting height at 3 1/4" on the height indicator by placing the height adjusting stop in the 3" hole, and turning the height stop so that the flat side is against the stop handle. Refer to Figure 3-8.

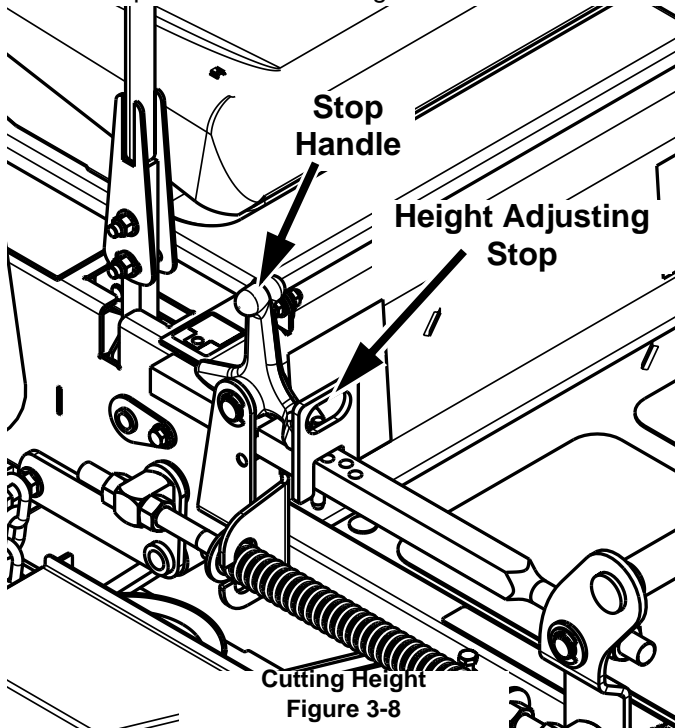
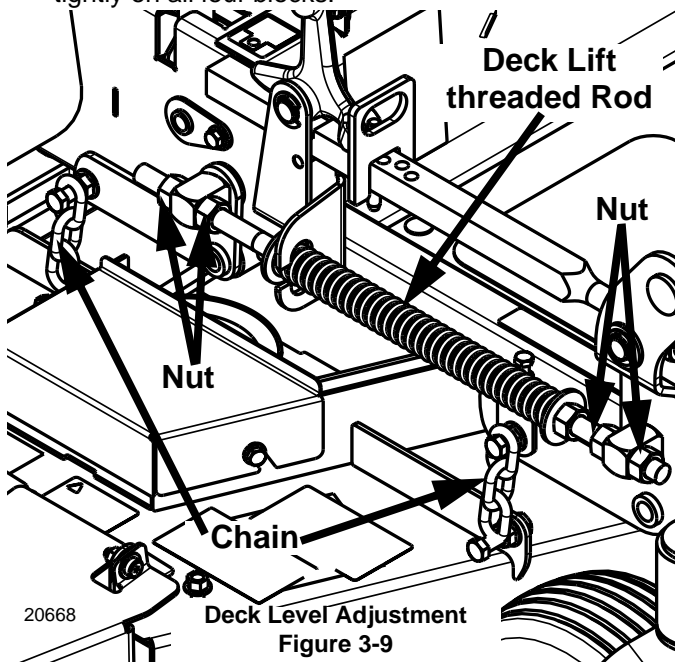


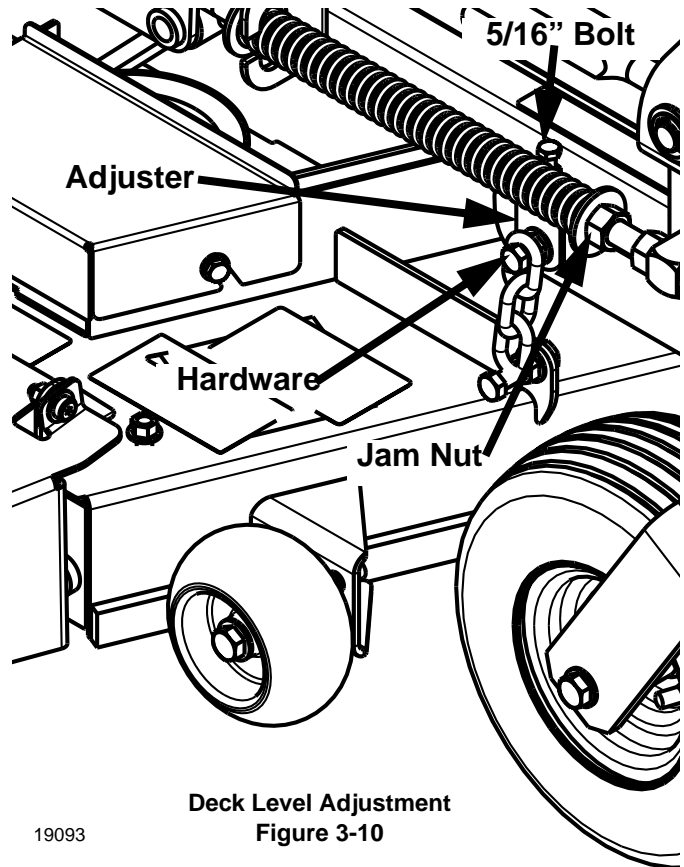
Figure 3-8

- Clamp the height adjusting stop against the stop handle (Figure 3-8). This will assure that the height will not move during the setting process. Otherwise, spring pressure from the deck lift springs will tend to pull the stop away from the handle.
- Refer to Figure 3-9 & Figure 3-10. Loosen all nuts on the deck lift threaded rods, and the hardware on the adjuster (on the right front), until all the deck lift chains are loose, and the deck is sitting tightly on all four blocks.



Deck Level Adjustment
Figure 3-9

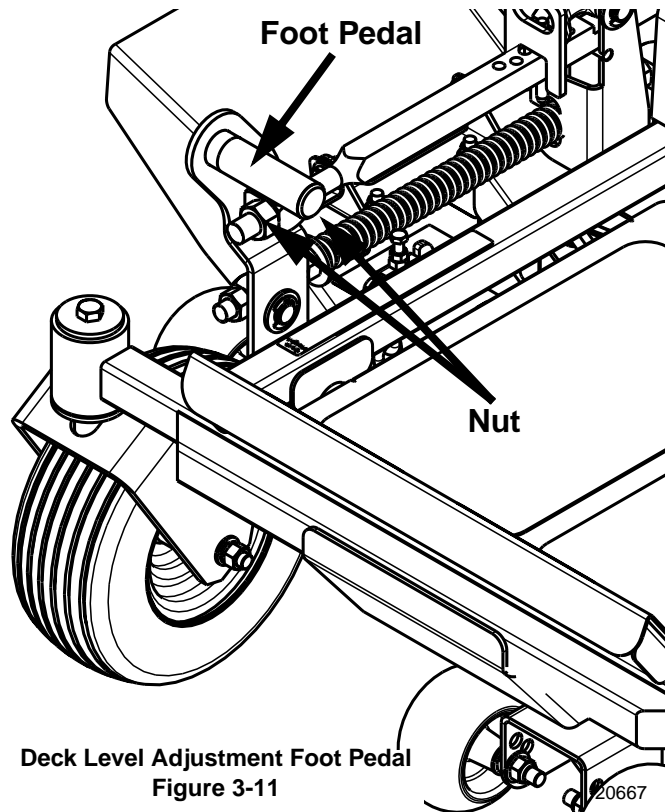
20668



Deck Level Adjustment
Figure 3-10

19093

- Loosen the two nuts on the front of height indicator so that the foot pedal is free. Refer to Figure 3-11.

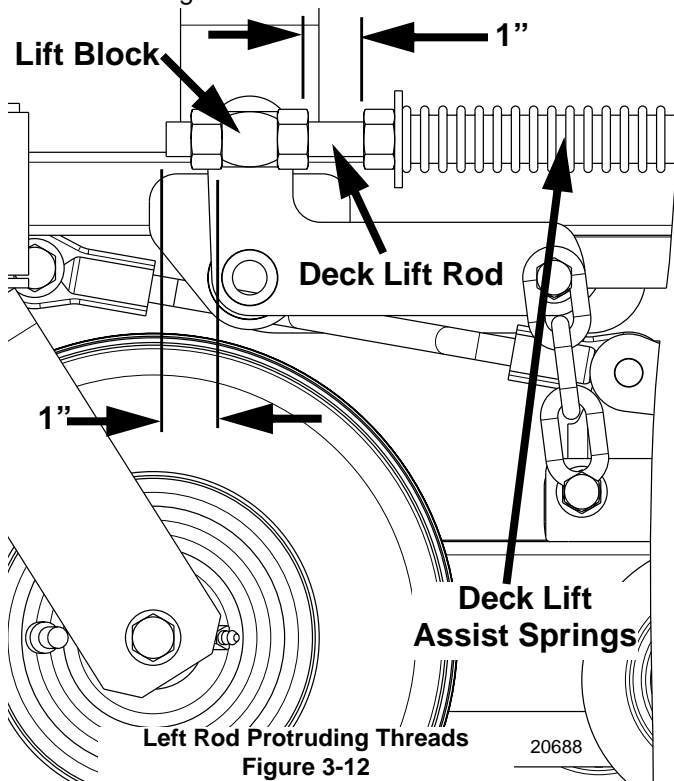


Deck Level Adjustment Foot Pedal
Figure 3-11

20667

Section 3: Adjustments

8. Start the leveling process on the left front of the mower.
9. Set the amount of threads protruding on the deck lift rod from the lift block at approximately 1". Refer to Figure 3-12.



10. Jam both nuts against the lift block.
11. Push or pull on the deck lift foot pedal until the chain on the left front just becomes tight, making sure that the deck stays tight against the 3" block.
12. While keeping the chain tight, tighten the nuts against the deck lift block on the height indicator rod. See Figure 3-11.
13. Go to the right front of the mower.
14. Loosen the 5/16" jam nut on the adjuster lift chain (Figure 3-10), and back the adjuster bolt out to allow the adjuster to move up and down freely.
15. Be sure that adjuster is free to move up and down.
16. Tighten the adjuster bolt until the chain just becomes tight, making sure that the deck stays tight against the 3" block.
17. Tighten the adjuster bolt jam nut to prevent the adjuster bolt from moving. See Figure 3-10.
18. Tighten the hardware holding the chain and adjuster onto the deck lift arm.

19. Go to the right rear of the mower.
20. Make sure that there is still slack in the chain. If not, loosen the two nuts on the block holding the threaded rod until there is slack in the deck lift chain. Refer to Figure 3-9.
21. Tighten the appropriate nut until the chain just becomes tight, making sure that the deck stays tight against the 3" block.
22. Tighten the other nut on the opposite side of the block, and jam them tightly together against the block.
23. Go to the left rear of the mower.
24. Make sure that there is still slack in the chain. If not, loosen the two nuts on the block holding the threaded rod until there is slack in the deck lift chain. Refer to Figure 3-9.
25. Tighten the appropriate nut until the chain just becomes tight.
26. Tighten the other nut on the opposite side of the block, and jam them tightly together against the block.
27. Compress the deck lift assist springs so that there is 1" of space between the front nut and on the spring and the rear nut on the deck lift block (Figure 3-12). Typical both sides.
28. When completed, all chains will be tight, and deck cutting height will be set to the deck height indicator.

Deck Cutting Height Adjustment

Deck height is adjustable from 1 1/2" to 4 1/2" in 1/4" increments. The holes in the height adjusting bar are spaced at 1/2" intervals. By turning the height adjusting stop around, 1/4" increments can be attained due to the 1/4" plate that is part of the stop. Refer to Figure 3-8.

EXAMPLE: When the height adjusting stop is placed in the 1 1/2" hole, with the 1/4" plate facing to the front of the unit, the cutting height is at 1 1/2". When the height adjusting stop is placed in the 1 1/2" hole, with the 1/4" plate on the operator's side of the hole, the cutting height is at 1 3/4".

When the height adjusting stop is placed in one of the holes, with the 1/4" plate on the operator's side of the hole, the deck height will be set at one of the following: 1 3/4", 2 1/4", 2 3/4", 3 1/4", 3 3/4" or 4 1/4".

When the height adjusting stop is placed in one of the holes, with the 1/4" plate facing to the front of the unit, the deck height will be set at one of the following: 1 1/2", 2", 2 1/2", 3", 3 1/2", 4" or 4 1/2".

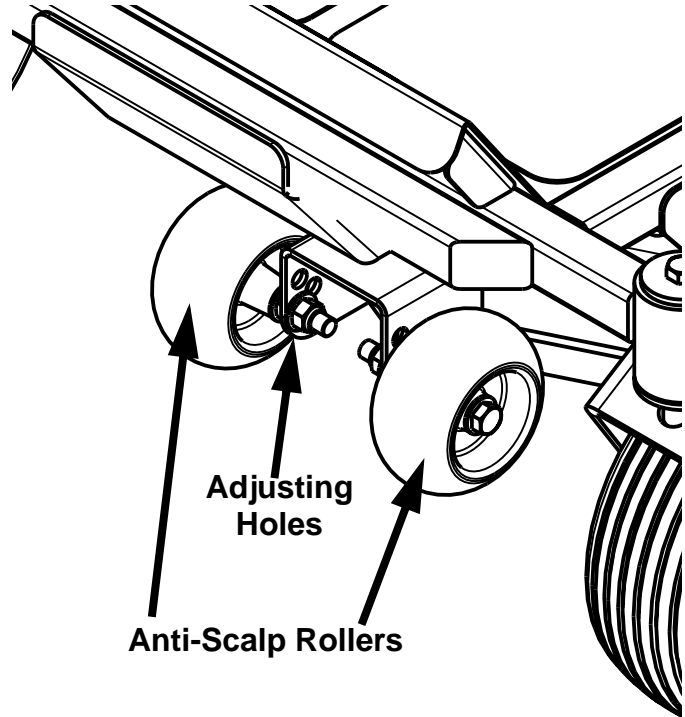
The notch located at the rear of the right height adjusting bar (4 1/2" height) is to be used when the deck is placed in the transport mode.

Section 3: Adjustments

Anti-Scalp Rollers

Anti-scalp rollers are standard on the Razor Z. These anti-scalp rollers are designed to minimize scalping when mowing on rough uneven terrain.

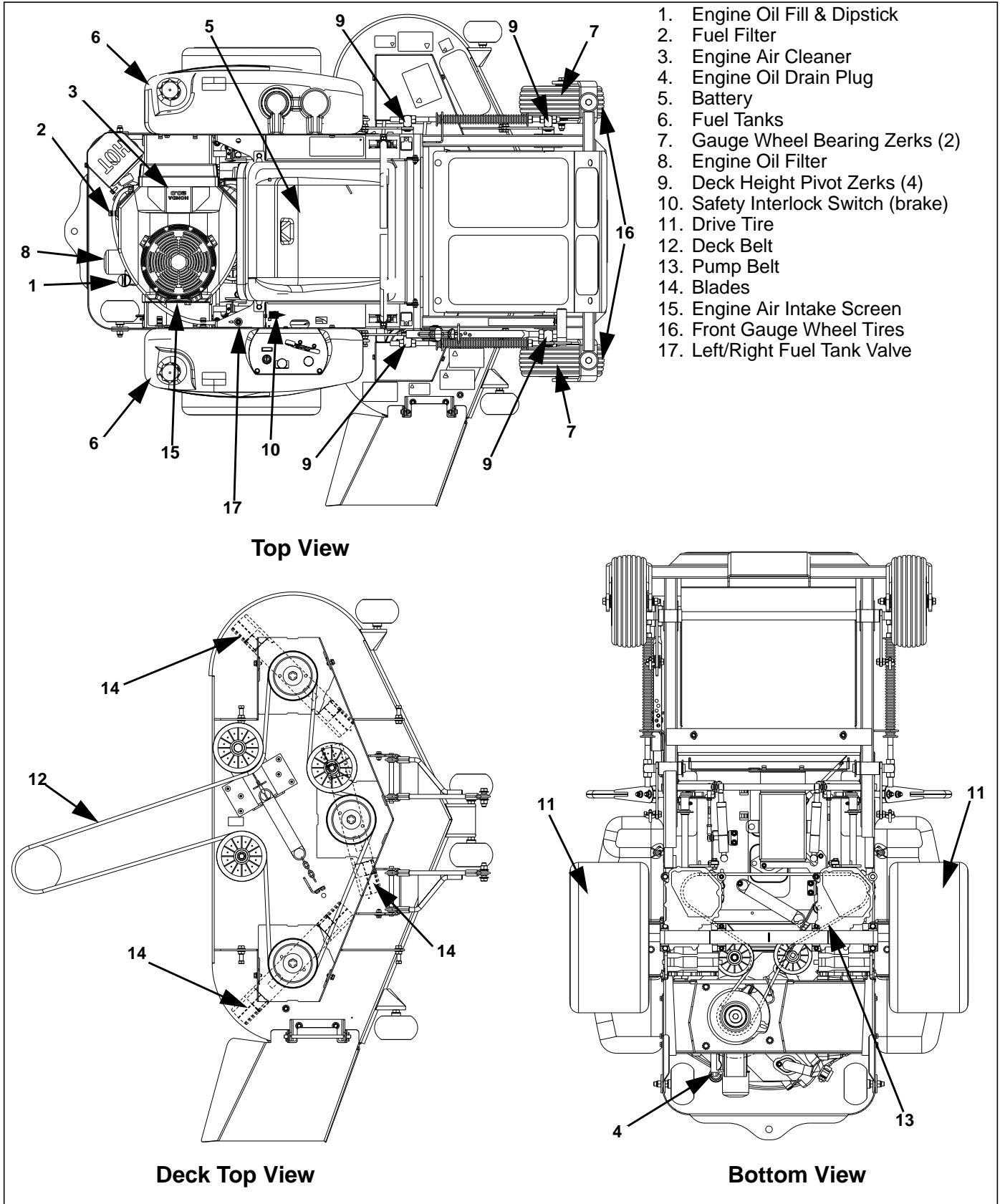
After setting the cutting height, adjust the front anti-scalp rollers so they extend below the deck but do not contact the ground. They should always be at least 1/4" to 3/4" below the deck. With the unit sitting on a flat level surface, the front wheel position can be adjusted up or down as needed from 3/4" to 1 3/4" below the blade surface. Move the front wheels up or down, in 1/2" increments, using the different axle mount holes in the roller mount bracket. Refer to Figure 3-13.



Anti-Scalp Roller Adjustment
Figure 3-13

NOTE: When the anti-scalp rollers are installed, the minimum cutting height is 1 1/2" with the anti-scalp rollers set at 3/4".

Maintenance Locations



1. Engine Oil Fill & Dipstick
2. Fuel Filter
3. Engine Air Cleaner
4. Engine Oil Drain Plug
5. Battery
6. Fuel Tanks
7. Gauge Wheel Bearing Zerk (2)
8. Engine Oil Filter
9. Deck Height Pivot Zerk (4)
10. Safety Interlock Switch (brake)
11. Drive Tire
12. Deck Belt
13. Pump Belt
14. Blades
15. Engine Air Intake Screen
16. Front Gauge Wheel Tires
17. Left/Right Fuel Tank Valve

Top View

Deck Top View

Bottom View

Figure 4-1

Section 4: Maintenance and Lubrication

Maintenance Schedule				
Service at Intervals Indicated	Weekly or 50 Hours	Monthly or 100 Hours	Every 200 Hours	Annually or 500 Hours
Verify Safety Start Interlock System	Daily			
Visually Inspect Unit	Daily			
Visually Inspect Tires	Daily			
Check Oil Level, Engine (1)	Daily or every 4 hours			
Clean Air Intake Screen	Daily or every 4 hours			
Check Fuel Level	Daily			
Blades - Sharpen & Securely Fastened	Daily			
Discharge Chute - Securely In Place & In Lowest Position	Daily			
Grease Deck Height Pivots	X			
Grease Gauge Wheel Bearings	X			
Change Engine Oil & Filter (1) (4)	X			
Clean Cylinder And Head Fins	X			
Check Battery Connections	X			
Check Tire Pressure With A Gauge	X			
Clean Engine Exterior (4)	X			
Replace Air Cleaner Paper Element		X		
Clean And Re-gap Spark Plugs (4)		X		
Check Pump And Deck Belt Tension (5)		X		
Check Fuel and Hydraulic Lines (6)		X		
Tighten Lug Nuts On Wheels (2)		X		
Change Fuel Filter				X
Replace Spark Plugs				X
Change IZT hydraulic oil & Filter (7)			X	

NOTES:

1. Initial oil change is after 5 hours of operation. Thereafter, change oil after every 40 hours of operation. Change more often under dusty or dirty conditions and during hot weather periods.
2. Torque initially and after first 2 hours of operation.
3. Change engine oil filter per the engine manufacturer's recommendations. Refer to Engine Owner's Manual.
4. Refer to Engine Owner's Manual.
5. Inspect every 6 months or 100 hours and replace if worn or cracking is noticed. Otherwise, replace every 200 hours or 2 years whichever comes first.
6. Check fuel line hoses, fuel valve and grommet for any cracks or leaks.
7. Initially change oil and filter in the Hydro-Gear units (IZT) after the first 50 hours of operation. Thereafter, change IZT hydraulic oil and filter ever 200 hours of operation.

Section 4: Maintenance and Lubrication

NOTE: After completing maintenance cycle (500 hours), repeat cycle.

Maintenance

 **WARNING!**

Unless specifically required, DO NOT have engine running when servicing or making adjustments to mower. Place control levers in the neutral position, disengage blade engagement, and remove ignition switch key. Repairs or maintenance requiring engine power should be performed by trained personnel only. To prevent carbon monoxide poisoning, be sure proper ventilation is available when engine must be operated in an enclosed area. Read and observe safety warnings in front of manual.

 **DANGER!**

Before working on or under the deck, make certain engine cannot be accidentally started. Shut engine off and remove ignition switch key for maximum safety. Repairs or maintenance requiring engine power should be performed by trained personnel only.

 **DANGER!**

Exercise caution when working under the deck as the mower blades are extremely sharp. Wearing gloves is advisable when working around or with the blades.

 **WARNING!**

Except when changing or checking belt, always keep belt covers on mower for safety as well as cleanliness.

 **WARNING!**

When possible, clean under mower using a stick or similar instrument making sure that no part of the body, especially arms and hands are under mower.

Regular maintenance is the best prevention for costly downtime or expensive, premature repair. The following pages contain suggested maintenance information and schedules which the operator should follow on a routine basis.

Remain alert for unusual noises, they could be signaling a problem. Visually inspect the machine for any abnormal wear or damage. A good time to detect potential problems is while performing scheduled maintenance service. Correcting the problem as quickly as possible is the best insurance.

 **WARNING!**

Keep your machine clean and remove any deposits of trash and clippings, which can cause engine fires and hydraulic overheating as well as excessive belt wear.

Clear away heavy build-up of grease, oil and dirt, especially in the engine and under the seat platform area; minute dust particles are abrasive to close-tolerance engine and hydraulic assemblies.

Inspect mower daily for grass clippings and wire and string tangles. The underside of the mower deck will collect a build-up of grass clippings and dirt, especially when grass is wet or has high moisture content. This build-up will harden, restricting blade and air movement and will probably show a poorer quality of cutting. Therefore it should be removed routinely.

To do this it will be necessary to raise and block the deck in the full up position and scrape the build-up from underneath.

Some repairs require the assistance of a trained service mechanic and should not be attempted by unskilled personnel. Consult your Land Pride dealer when assistance is needed.

Torque Values

 **WARNING!**

Particular attention must be given to tightening the drive wheel lug nuts and blade spindle nuts. Failure to correctly torque these items may result in the loss of a wheel or blade, which can cause serious damage or personal injury.

Torque Values		
	FT - lbs.	Nm
Wheel lug nuts	65 - 75	88.14 - 101.7
Blade spindle bolts (top and bottom)	118	160.01

It is recommended that these be checked after the first 2 hours of initial operation and every 50 hours following removal for repair or replacement.

For all other torques refer to “**Torque Values Chart**” page 35.

For engine torque values, see engine owner’s manual.

Tires

It is important for level mowing that the tires have the same amount of air pressure.

Tire Inflation Chart	
Tire	Inflation PSI
Drive Wheels	8-12
Gauge Wheels	8-12

Solid fill tires are not to be used on the Razor Z mower.

Section 4: Maintenance and Lubrication

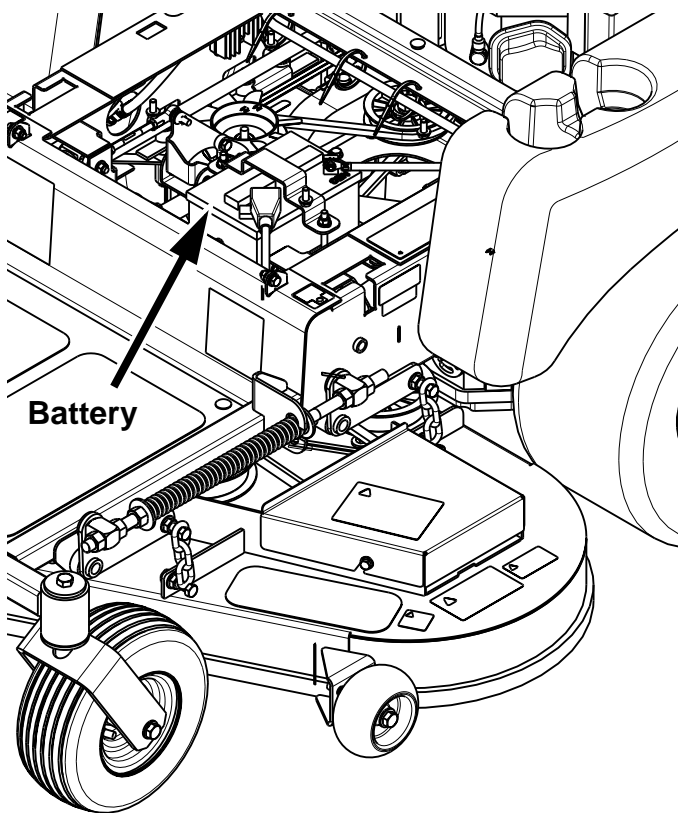
Lubrication

8. Grease the front gauge wheel bearings per the Maintenance Schedule. Use SAE multi-purpose grease.
9. Grease the four deck lift pivots, located to the side of the operator's foot rest per the Maintenance Schedule. Use SAE multi-purpose grease.

Electrical System

The electrical system is a 12 volt, negative ground. Recommended battery size is a garden mower BCI group U1R with 225 or better cranking AMP rating. A maintenance-free battery is recommended. Otherwise, follow battery manufacturer's maintenance, safety, storing and charging specifications.

The battery is located under the seat. Refer to Figure 4-2.



Battery
Figure 4-2

20677

WARNING!

Avoid skin contact with battery acid. Always wear eye protection when checking the battery, acid can cause serious injury to skin and eyes. If contact occurs, flush area with clean water and call physician immediately. Acid will also damage clothing. Do not allow open flame near the battery when charging. Hydrogen gas forms inside the battery. This gas is both toxic and flammable and may cause an explosion if exposed to flame. Always remove the negative ground first and replace it last. Do not overfill battery. Electrolyte may overflow and damage paint, wiring or structure. When cleaning the battery, use soap and water. Be careful not to get soap and water into the battery. Use soda mixed in water to clean corrosion off the terminals.

WARNING!

Shorts caused by battery terminals or metal tools touching metal tractor components can cause sparks. Sparks can cause a battery gas explosion which will result in personal injury. Prevent the battery terminals from touching any metal tractor parts when removing or installing the battery. Do not allow metal tools to short between the battery terminals and metal tractor parts.

WARNING!

*Incorrect battery cable routing can cause damage to the tractor and battery cables. This can cause sparks which can cause a battery gas explosion which will result in personal injury. Always **disconnect** the negative (black) battery cable before disconnecting the positive (red) cable. Always **connect** the positive (red) battery cable before connecting the negative (black) cable.*

Common circuit failures are usually caused by shorting, corroded or dirty terminals, loose connections, defective wire insulation or broken wires. Switches, solenoids and ignition components may also fail, causing a shorted or open circuit.

The electrical system is protected by fuses located on the right fuel tank instrument panel. The fuses are as follows:

Main - 20 Amp, blade type

Clutch/Aux. - 10 Amp, blade type

Before attempting any failure diagnosis of electrical system, use a test light or voltmeter to check battery voltage. If battery voltage is satisfactory, check cleanliness and tightness of terminals and ground connections. A general understanding of electrical servicing and use of basic test equipment is necessary for troubleshooting and repair.

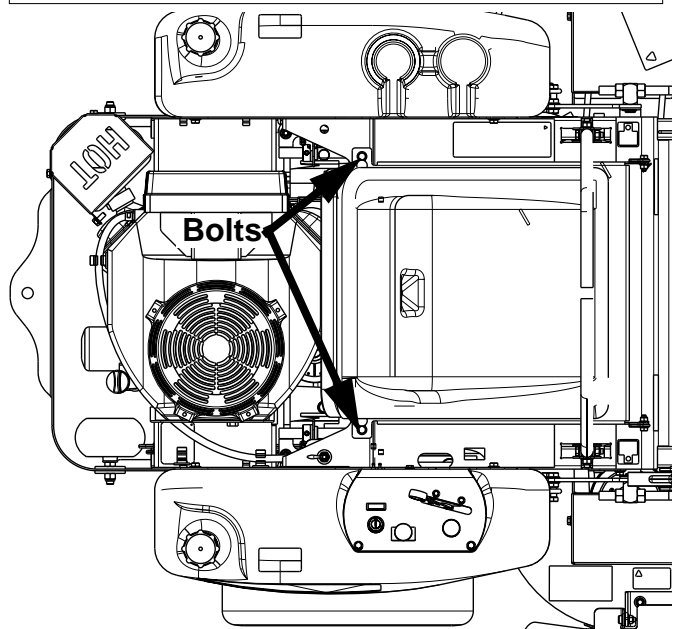
Major overhaul or repair of starting motor or alternator should be performed by trained technicians only.

Section 4: Maintenance and Lubrication

Access to Integrated Pump/Motor

The integrated pump/motor units are accessed by lifting the seat platform. The seat platform is hinged at the front. To raise it, remove two bolts and tilt seat platform up and forward. Refer to Figure 4-4.

NOTE: If the seat is equipped with the optional arm rest kit, make certain to place the control arms in the park brake position and pivot the arm rests upward before placing the seat platform in the forward position.



Access to Integrated Pump/Motor
Figure 4-4

! WARNING!

Always wear adequate eye protection when servicing the hydraulic system and battery.

Hydraulic System

The Razor Z is equipped with Hydro-Gear IZT integrated pump/motor units. Except for changing hydraulic filters, these units are self contained and are maintenance free. Repair of an integrated pump/motor unit should be performed by trained technicians only.

NOTE: The integrated pump/motor units are equipped with bypass valves. For more information refer to Operating Section, "Moving Mower with Stalled Engine" page 11.

Hydraulic Filter

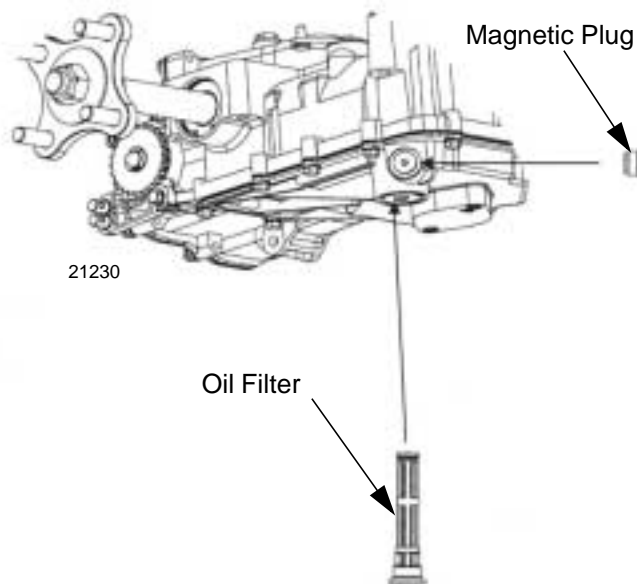
Refer to Figure 4-5

Initially change hydraulic oil and oil filter after the first 50 hours of operation. Thereafter, change hydraulic oil and oil filter every 200 hours or every 2 years whichever comes

first. Filter replacement kit #356-552A may be purchased from your nearest Land Pride dealer. The Kit contains two filters and two magnetic plugs.

Change hydraulic oil filter as follows:

1. Raise mower so that filter and 9/16" magnetic plug can be accessed and worked on in a safe manner.
2. Place oil pan beneath pump.
3. Remove oil filter from underside of pump with 3/8" allen wrench and replace with new bypass filter as quickly as possible to reduce fluid loss from case.
4. Caution: filter is plastic, excessive torque will damage filter.
5. Torque bypass filter to 40-50 in-lbs.
6. Wipe off excess oil from case.
7. Optional: Replace 9/16" magnetic plug with newly supplied 9/16" magnetic plug as quickly as possible to reduce loss of fluid.
8. Lower mower safely to the ground.
9. Remove breather assembly located on top of pump and check oil level. Oil level should be 1 7/8" from top of case port.
10. Replace lost oil with 20W-50 Mobil oil.
11. Reinstall breather assembly into case port
12. Wipe off excess oil. A degreaser may need to be used to remove excess oil.



Access to Oil Filter and Magnetic Plug
Figure 4-5

Section 4: Maintenance and Lubrication

Fuel System

DANGER!

Observe usual fuel handling precautions; do not smoke while refueling, do not fill tank with engine running or while engine is hot. Clean up any gasoline spills.

Allow engine to cool before storing machine inside a building. Keep fuel away from open flame or spark and store machine away from open flame or spark if there is fuel in the tank.

Use extra caution when handling gasoline and other fuels. They are flammable and vapors are explosive. A fire or explosion from gasoline can burn you and others and can damage property. Refuel outdoors preferably, or in well ventilated areas. Never attempt to start engine when there is a strong odor of gasoline fumes present. Locate and correct cause. Store gasoline in an approved container and keep it out of the reach of children. Never buy more than a 30 day supply of gasoline. Do not fill gasoline containers inside a vehicle or on a truck or trailer as interior carpets or plastic truck bed liners may insulate the container and slow the loss of any static charge. When practical, remove equipment from the truck or trailer and refuel the equipment with its wheels on the ground. If this is not possible, then refuel the equipment on the truck or trailer using a portable container and not a gasoline dispenser nozzle. If a gasoline dispenser nozzle must be used, keep the nozzle in contact with the rim of the fuel tank or container opening at all times until fueling is complete.

WARNING!

Gasoline is harmful or fatal if swallowed.

Long-term exposure to vapors can cause serious injury and illness.

Avoid prolonged breathing of vapors.

Keep face away from nozzle and gas tank or conditioner opening.

Keep gas away from eyes and skin.

The fuel tanks are located in the tractor's fenders. Total capacity for the fuel tanks is 12.2 U.S. gallon.

When filling the fuel tanks disengage blade engagement, place control levers in park brake position, and stop tractor engine. Clean around the fuel tank cap and remove the cap and begin filling. When finished, screw the cap on securely and wipe up any spilled gasoline. Use regular unleaded gasoline with an octane rating of 87 or higher.

IMPORTANT: Never use methanol, gasoline containing methanol, or gasohol containing more than 10% ethanol because the fuel system could be damaged. Do not mix oil with gasoline.

Using a fuel stabilizer/conditioner in the tractor can provide benefits such as:

1. Keeps gasoline fresh during storage of 90 days or less. For longer storage, drain the fuel tanks.

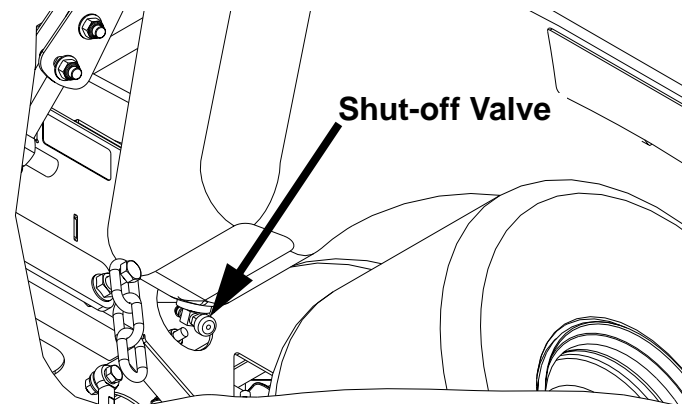
2. Cleans the engine during operation.
3. Eliminates gum-like varnish build-up in the fuel system.

IMPORTANT: Do not use fuel additives containing methanol or ethanol.

Add the correct amount of gas stabilizer/conditioner to the gas. Follow the gas stabilizer/conditioner manufacturer's directions for best results. The fuel filter (Figure 4-7) is installed in the fuel line between fuel tanks and engine fuel pump on the rear left side of the engine. Replace filter annually or after every 100 hours of operation, whichever occurs first. For fuel filter removal refer to the engine owner's manual. When replacing the fuel filter, check the fuel line hoses for any cracks or leaks. Replace as needed. A fuel shut-off valve is located on the outlet port of each fuel tank. Refer to Figure 4-6. Close these valves (turn clockwise) to prevent fuel flow to the engine.

Draining the fuel tank

1. Park the unit on a flat surface. Stop the engine and remove the ignition key. Make sure blade engagement switch is **in the down (OFF) position**. Place control levers in the park brake position. Disconnect negative battery cable.
2. Close the fuel shut-off valve on the fuel tank to be drained.
3. Trace the fuel line from the shut-off valve to the Left/Right Fuel Tank Valve (Refer to Figure 2-3 on page 9). Loosen the hose clamp and remove the fuel line from the tee.
4. Place the end of the fuel line into a gas can or a drain pan and open the fuel shut-off valve to drain the hose from the fuel tank.
5. When fuel tank is drained re-route the fuel line to the Left/Right Fuel Tank Valve and attach to the valve. Clamp fuel line to valve.
6. Fill fuel tank with proper grade of gasoline and open shut-off valve.



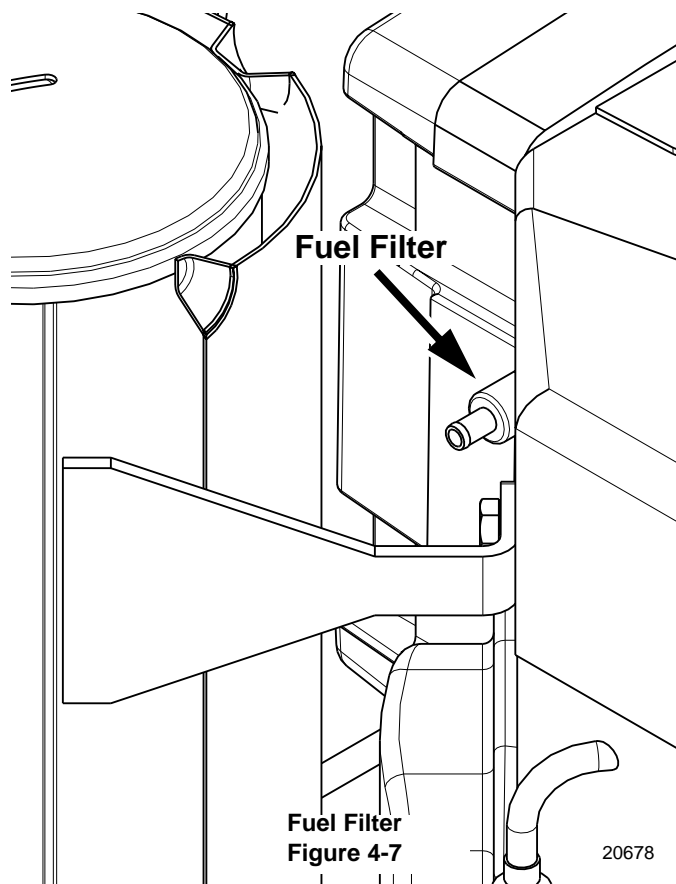
Fuel Shut-Off Valve
Figure 4-6

20679

When replacing the fuel filter, check the fuel line hoses for

Section 4: Maintenance and Lubrication

any cracks or leaks. Replace as needed.



Fuel Filter
Figure 4-7

20678

Engine Oil and Filter

Refer to Figure 4-8:

Check engine oil daily and after every 4 hours of operation. Crankcase dipstick and oil filler tube are located at the rear of the machine. Mower must be sitting level when checking oil. Refer to engine manual and maintenance schedule for oil recommendation and capacities.

Change the engine oil and filter after the first 5 hours of operation, per the engine manufacturer's recommendations after that. If mower is being operated in extremely dirty conditions, then it is recommended oil be changed more frequently.

The oil drain and oil filter are located at the rear of the engine.

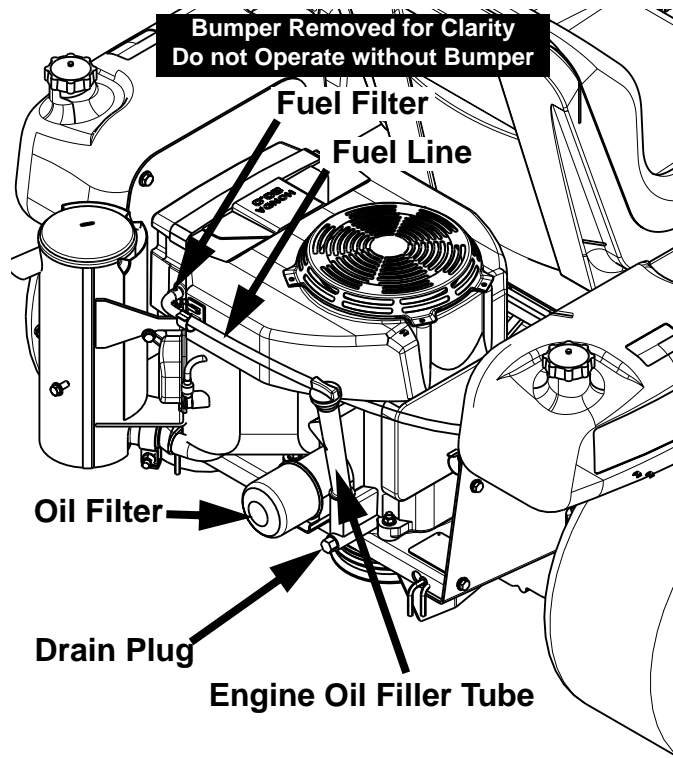
Engine Air Filter

Perform engine air filter maintenance per the engine operator's manual.

General Engine Maintenance

Detailed instructions and recommendations for break-in and regular maintenance are specified in the engine operator's manual. Please refer to this manual for engine servicing, lubricating oil levels with quality and viscosity recommendations, bolt torques, etc. The engine warranty

is backed by the engine manufacturer. Special attention should be paid to applicable data which will not be duplicated here.



Engine Oil Filter, Drain & Filler Tube
Figure 4-8

19072

Belt Replacement

Refer to Figure 4-9 and Figure 4-10:

Replace belts which show signs of severe cuts, tears, excessive weather checking and cracking or burns caused by slipping. Slight raveling of belt covering does not indicate failure, trim ravelings with a sharp knife.

Inspect the belt pulley grooves and flanges for wear. A new belt, or one in good condition, should never run against the bottom of the groove. Replace the pulley when this is the case, otherwise belt will lose power and slip excessively.

Never pry a belt to get it on a pulley as this will cut or damage the fibers of the belt covering.

Keep oil and grease away from belts, and never use belt dressings. Any of these will destroy the belt composition in a very short time.

Deck Belt Replacement

1. Park the unit on a flat surface. Stop the engine and remove the ignition key. Make sure blade engagement switch is **in the down (OFF) position**. Place control levers in the park brake position. Disconnect negative battery cable.
2. Place the deck in the lowest position.

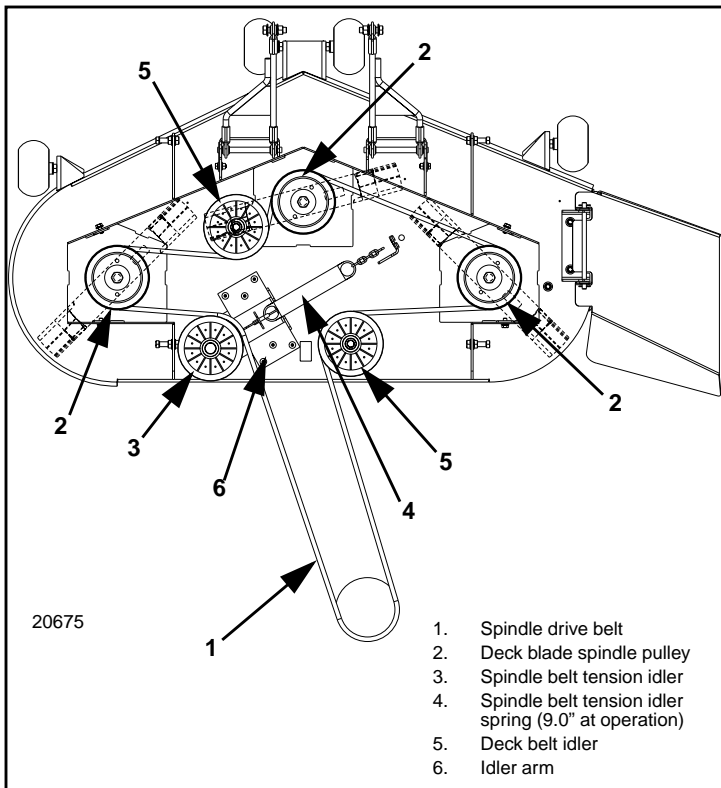
Section 4: Maintenance and Lubrication

3. Remove the deck belt covers and floor panel.
4. Release the deck belt tension by pulling on the belt tension chain and sliding the chain out of the anchor bracket slot. This will relieve the tension on the deck belt idler spring. Refer to Figure 4-9.
5. Pull the idler to the left of the machine to provide maximum belt clearance.
6. Remove the existing belt and replace with a new belt.
7. Route the new belt per Figure 4-9.
8. Re-tension the deck belt idler per the deck drive belt adjustment section on page 17.
9. Re-install the deck belt covers.
10. Re-attach the negative battery cable and floor panel.

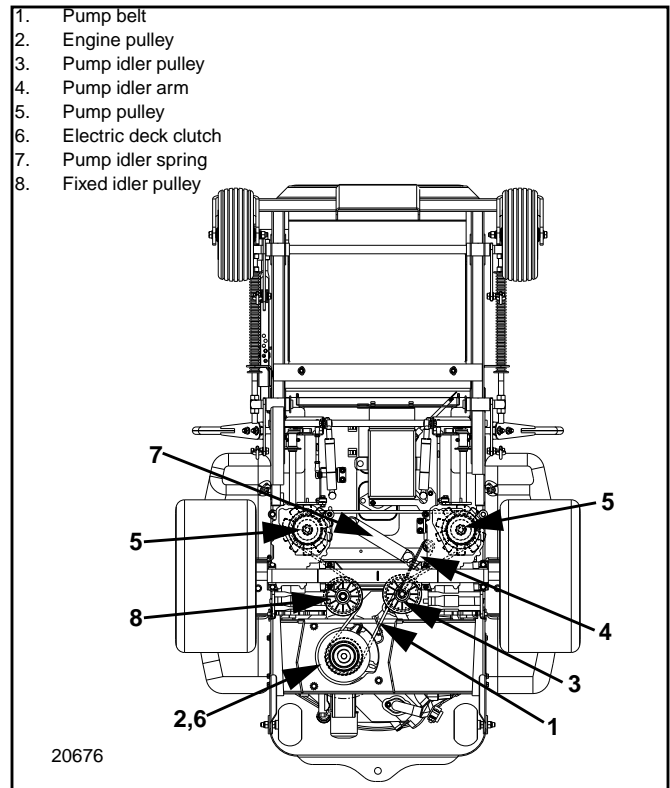
Integrated Pump/Motor Drive Belt Replacement

1. Park the unit on a flat surface. Stop the engine and remove the ignition key. Make sure blade engagement switch is **in the down (OFF) position**. Place control levers in the park brake position. Disconnect negative battery cable.
2. Place the deck in the lowest position.
3. The deck belt must be removed from the clutch pulley first by releasing the deck belt tension by pulling on the belt tension chain and sliding the chain out of the anchor bracket slot. This will relieve the tension on the deck belt idler spring. Refer to Figure 4-9.
4. Remove the deck drive belt from the electric clutch pulley. This belt does not need to be removed from any of the other pulleys.

5. Release the tension from the integrated pump/motor belt by pulling on the idler pulley (extending spring carefully) and sliding the belt over it. Use caution when releasing the idler pulley as there is still tension on it and it will snap back into position. Refer to Figure 4-10.
6. Slide the belt off the engine pulley. The belt will have to be slid above the engine pulley to allow the belt to be removed from the other pulleys. Refer to Figure 4-11.
7. Slide the belt over the integrated pump/motor pulleys.
8. Slide the belt off of the fixed idler pulley.
9. The belt can now be removed from above the engine pulley.
10. Install new belt by sliding it up and over the engine pulley. Make certain it is not in the pulley groove at this time but is above the pulley.
11. Slide the belt over the fixed idler pulley and then over the integrated pump/motor pulleys.
12. Slide the belt onto the engine pulley.
13. Pull the idler pulley over and slide the belt onto it. Make certain to keep fingers from getting between the belt and the pulley when the pulley is released and tension is re-established.
14. Re-install the deck drive belt on the electric clutch pulley and make sure it is routed properly on all of the deck pulleys.
15. Re-tension the deck belt idler per the Deck drive belt adjustment section on page 17.



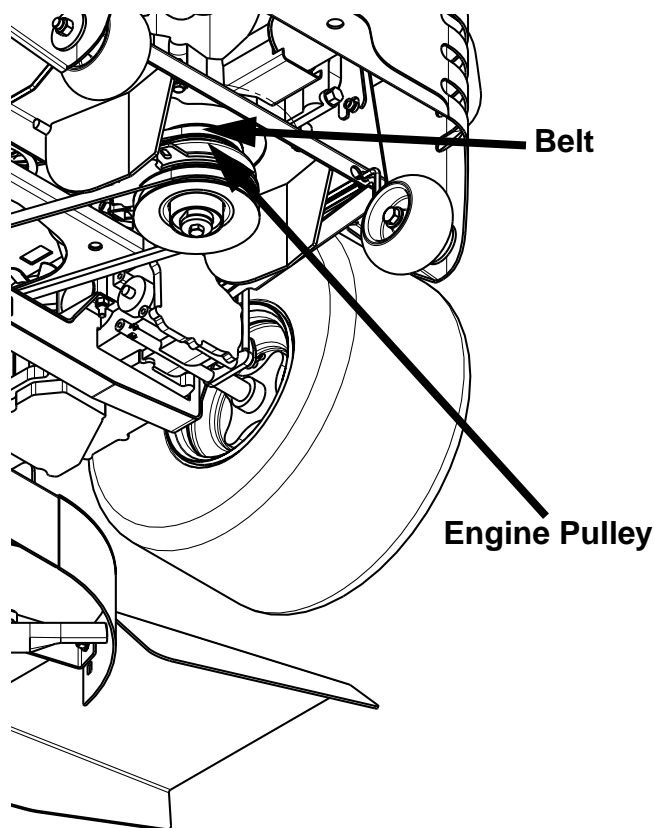
**Deck Belt Drive Layout
Figure 4-9**



**Mower Viewed from Bottom Deck
Figure 4-10**

Section 4: Maintenance and Lubrication

16. Re-attach the negative battery cable.



**Pump/Motor Belt Removal
Figure 4-11**

20682

Mower Blade Maintenance

Check the mower blades daily, they are the key to power efficiency and well groomed turf. Keep them sharp, a dull blade will tear rather than cut the grass, leaving a brown ragged top on the grass within a few hours. A dull blade also requires more power from the engine.

Replace any blade which is bent, cracked or broken.

! WARNING!

Never attempt to straighten a bent blade by heating, or weld a cracked or broken blade as the blade may break and cause serious injury.

! DANGER!

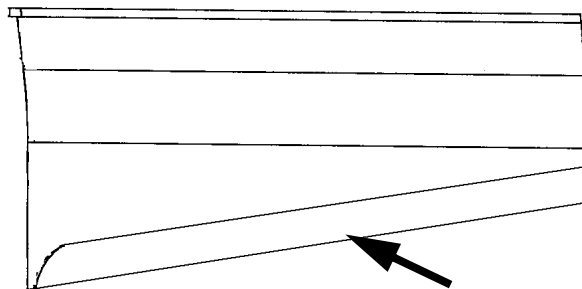
Never work with blades while engine is running or blade engagement is engaged. Always place blade engagement switch in the down (Off) position, place control levers in park position and turn engine off. Block up mower when you must work under it. Wear gloves when handling blades. Always check for blade damage if mower strikes rock, branch or other foreign object

during mowing!

Mower Blade Removal

Use a 15/16" wrench to remove the 5/8" cap screw holding blade to spindle saddle from underneath.

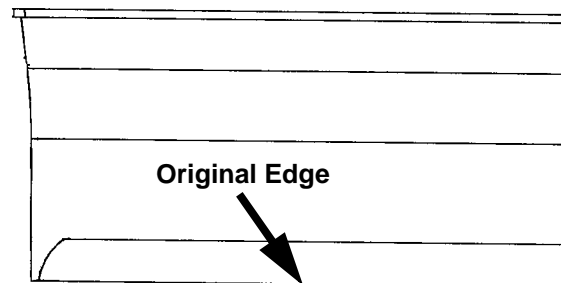
Sharpen the blades on a grinder following pattern as shown in Figure 4-12. Touch-up sharpening can be done with a file.



Reshaping Pattern

19074

Do not sharpen to original pattern (below). It is easier to get a straight cutting edge following the reshaping pattern shown above.



Original Edge

19075

**Blade Reshaping
Figure 4-12**

Check the blades for balance following grinding. A commercial balancing tool is available through most hardware supply stores, or balancing can be done by placing the blade on an inverted line punch or 5/8" bolt. Blade should not lean or tilt. Spin the blade slowly, blade should not wobble. If blade is out of balance, true it up before reinstalling.

Lay the blade on a flat surface and check for distortion. Replace any distorted blade.

Refer Figure 4-13 and Figure 4-14 on next page.

Do not re-use spindle bolts which have stripped, worn or undercut threads. Refer to "Torque Values Chart" on page 35 when replacing hardware for proper torque.

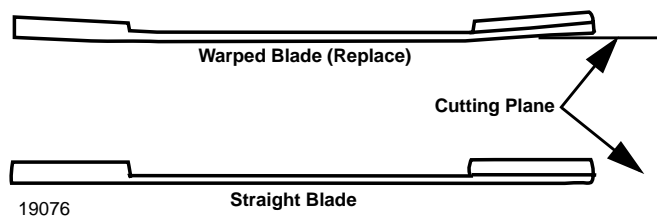
! WARNING!

When mounting blades, rotate them after installation to ensure blade tips do not touch each other or sides of the mower.

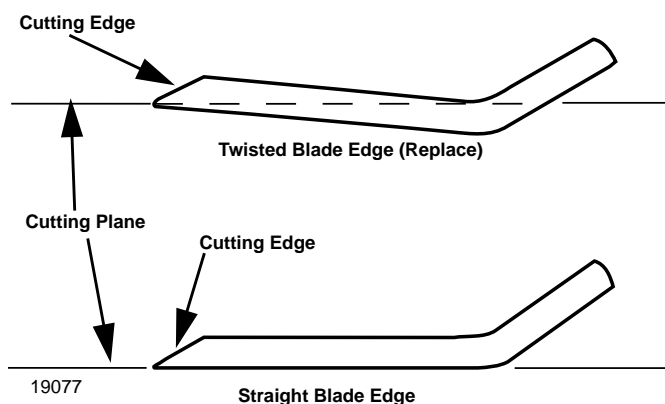
Section 4: Maintenance and Lubrication

WARNING!

Failure to correctly torque the bolt may result in the loss of the blade which can cause serious injury.



Comparison of Warped and Straight Blades
Figure 4-13



End View of Blades, Twisted & Straight Blades
Figure 4-14

Storage

When storing the unit at the end of the mowing season, the following steps should be taken to ensure readiness for the next mowing season.

1. Remove all grass, dirt, and trash. Clean and touch up all scrapes with Land Pride spray paint.
2. Clean paper air filter. Replace if necessary. Wash and re-oil foam pre-cleaner.
3. Check thoroughly for any worn or damaged parts that need replacing and order them from your dealer.
4. Thoroughly lubricate machine, according to lubrication instructions.
5. Block mower up so weight is off tires.

NOTE: Do not deflate tires.

6. Protect battery from freezing temperatures. Occasionally recharging battery during storage will extend battery life.
7. Perform separate engine preparation as listed below.
8. Store mower in a clean, dry place.

Preparation of Engine for Storage

When engine is to be unused for long periods, proceed as follows:

1. Run engine for a minimum of 15 minutes.
2. Drain oil from crankcase while engine is still warm.
3. Refill with fresh oil of proper viscosity.
4. Drain fuel tank and run the engine until it stops from lack of fuel. Gasoline evaporates if left in carburetor for long periods, forming gum and varnish deposits in carburetor. These deposits will cause engine flooding and loss of power.
5. Remove and replace fuel filter if not done in previous 100 hours.
6. Remove spark plugs and pour a tablespoon of engine oil into each spark plug hole. Install plugs, but do not reconnect plug leads.
7. Crank engine with starter at least a dozen revolutions to distribute oil over cylinder walls and valve mechanism.
8. Clean exterior surface of engine. Spread a light film of oil over any exposed metal surfaces of engine that are subject to corrosion.
9. Clean dirt and chaff from cylinders and fins, blower housing and muffler.
10. Check oil filler cap and fuel tank cap to make certain they are securely in place.

New Season Preparation

Before starting the mower following post season storage, the following servicing is required:

1. Clean mower, removing trash and dirt accumulation.
2. Check engine oil level.
3. Fill fuel tank with fresh gasoline. Run machine at half speed for 5 minutes, checking operation of steering control levers. Stop engine and check for oil leaks, loose fittings and so forth.
4. Tighten any bolts that have loosened and make sure all hair pins, cotter pins and clevis pins are in place.
5. Install all safety shields and review safety precautions listed in this manual.
6. Check and inflate tires to 8-12 psi.
7. Reconnect spark plug leads to spark plug.



ZR44 & ZR52 Accu-Z Razor Residential Riding Mower (Engine Specifications)			
	ZR44	ZR44 & ZR52	ZR52
Engine Type	Honda	Honda	Honda
Horsepower	16	18	20
No of Cylinders	2	2	2
Displacement	32.3 cu. in. (675cc)	32.5 cu. in. (675cc)	32.5 cu. in. (670cc)
Compression Ratio	8.1:1	8.3:1	8.3:1
Max Torque	31.7 FT. LBS @ 2500 RPM	32.5 FT. LBS @ 2500 RPM	32.5 FT. LBS @ 2500 RPM
Oil Capacity w/ Filter	1.37 US quarts	2.3 US quarts	2.3 US quarts
Oil Filter	839-378C	831-038C	
Air Filter, Paper	839-379C	831-036C	
Air Filter, Pre Cleaner	839-380C	831-037C	
Fuel Filter	Replaceable, Automotive-Type Land Pride Part No. 831-035C		
Cooling	Air cooled, Fly-wheel fan		

ZR44 & ZR52 Accu-Z Razor Residential Riding Mower (General Specifications)		
	ZR44	ZR52
Width of Cut	44"	52"
Trim Capacity (left side)	5"	6"
Overall width	49.2"	57.2"
Tire-to-tire width:	43"	47"
Height	39"	
Length	68"	69.6"
Weight	740 lbs.	755 lbs.
Drive Tires	18 x 8.5 - 8, turf tread	18 x 9.5 - 8, turf tread
Front Tires	11 x 4.00 - 6, rib tire	
Starter	12-volt (.8 KW), solenoid shift positive engagement.	
Ignition	Electronic	
Charging System	12-volt, 15 amp	
Governor	Mechanical	
Fuel	Unleaded gasoline with octane rating of 87 or higher	
Fuel Capacities	12.2 US GAL	
Traction Drive Type	Dual Hydrostatic Transmission	
Hydraulic Drive Oil	20W-50 Mobil oil	
Hydraulic Oil Capacity	2.4 qts. or 77 oz.	
Hydraulic Motor/Pumps	Two variable displacement, axial piston type.	
Hydraulic Motor/Pump Drive	V-belt drive from engine crankshaft	

Section 5: Specifications & Capacities

ZR44 & ZR52 Accu-Z Razor Residential Riding Mower (General Specifications)		
	ZR44	ZR52
Ground Speed	Forward: 0-7 MPH	
	Reverse: 0-5 MPH	
Steering Type	Twin lever steering provides independent control of each drive wheel.	
Twin Lever Steering Controls	Speed, forward, reverse, brake, and turns.	
Steering Turning Radius	True zero degree. Turns within its own length with counter-rotating independent drive wheels	
Brake Service	Hydrostatic dynamic braking	
Parking	Automotive-style drum brakes. Integral park brakes are automatically engaged when steering levers are placed in neutral.	
Mower Drive	Single V-belt with electric clutch and spring tension idler pulley	
Safety Features	Operator presence system connected to deck and drive clutches. Stabilizer rollers rear of tractor.	
Seat	Molded-vinyl seat. Bolt loosening required for forward and reverse adjustments. Optional armrests kit for standard molded-vinyl seat. Optional deluxe cushion seat with arm rests.	
Mainframe Construction	1 1/2" square solid steel.	
Drive Motor Mount	1/8" welded steel	
Front Caster Wheels	Mounted with roller bearings on each wheel.	
Front Caster Forks	3/8" steel.	
Deck Thickness	11 Gauge decks with reinforcements welded into spindle mount areas	
Box-Section Reinforced Front Edge	14 GA. x 1 1/4" Bar	
Deck Trim Edges	Solid 1" x 3/8" steel bars for reinforced impact area	
Deck Housing Depth	4 1/8" deep, (room for high-capacity mowing)	
Deck Lift	Foot-operated deck height adjustment. Pin for setting height and transport position.	
Hand Operated Controls	Choke, throttle, ignition switch, electric mower clutch and Integrated parking brakes.	
Indicators	Engine warning light. Optional hour meter through parts only	
Cup Holder	Two cup holders molded into the left side fuel tank. Accommodates nearly any cup size including Big Gulp.	
Cutting Heights	Foot-operated deck height adjustment. Pin for setting height, transport position. Height adjustment in 1/4" increments from 1 1/2" to 4 1/2"	
Mowing Blades	Heavy-duty, heat-treated, high-lift steel blades	
	.20" x 2 1/2" x 15.7"	.20 x 2 1/2" x 18.3"
Blade Tip Speed	14,666 FPM	16,727 FPM
Blade Drive	V-belt drive to all three spindles. Spring tension idler pulleys.	
Spindles	Machine ductile housing, 1" diameter high carbon steel shafts and sealed ball bearings.	
Flotation	Free-floating mower using three blades with center blade to the front. Mower is suspended at the four corners on spring-assisted chains. Includes 4 anti-scalp wheels to improve flotation in rolling and uneven terrain.	

ZR44 & ZR52 Accu-Z Razor Residential Riding Mower

Features	Benefits
44" or 52" Cutting width	Sized and priced right for residential owners.
Ground speed	Forward 0-7 mph and Reverse 0-5 mph for high mowing productivity
Mid-mount deck design	Mid-mount design puts the deck closer to the operator's line of sight for a more efficient and precise operation.
Compact size	Enhances mowing maneuverability, as well as fitting on trailers or storing more efficiently.
Drive tire stance	Narrow width (44: 43", 52: 47") allows for tight turns in corners, yet gives a very stable platform for the operator.
Steering levers	Dual steering levers which control each drive wheel, have a shape and position that is very user friendly, hand and arm fatigue are greatly minimized.
Reinforced Deck	Reinforced front edge where most of the punishment happens.
Deck Construction	Single welded frame design. 11 Gauge with 1" x 3/8" reinforcements.
Floating deck design	Deck has chain suspension which offers excellent flotation over uneven terrain.
Deck height adjustment	Height is changed by a spring-loaded foot operated lever and pin. Easier than hand levers to push and faster than waiting on an electric actuation.
Anti-scalp rollers - 4	Front middle and front corners to keep scalping to a minimum.
Cutting height	1 1/2" to 4 1/2" Range in 1/4" increments to cut any type of turf grass.
Tires	Wide tires offer excellent ground flotation. Heavy wheel forks take abuse.
High blade tip speed	44: 14,765 fpm; 52: 17,280 fpm Assures a good finish cut.
High lift blades	Heavy-duty high lift blades are .20" thick to handle the wear, with a high lift design to stand the grass up before cutting.
1" Blade spindles	1" Blades spindles with sealed ball bearings handle heavy shock loads.
Single belt drive	Single belt design offers easier maintenance over multiple belt designs, less expensive to maintain.
Electric clutch control	Easy and smooth engagement of the mower blade drive system.
Parking Brake & Safety Lockout	Parking brakes are engaged when steering levers are placed in neutral, does not require a separate operation to place in neutral. One less thing to look for if mower does not start.
Drive	Each rear drive wheel has an integrated hydrostatic pump & drive motor.
Honda engine	ZR44: 16 or 18 HP; ZR52: 18 or 20 HP
Electric start	Easily starts with the turn of a key.
Integrated fan blades	Pumps stay cool.
12.2 gallon fuel capacity	Less down time.
Easy engine maintenance	Engine is mounted so that all of the maintenance items can be serviced from the rear of the mower vs. the side.
Seat Options	Molded seat incorporates a high back to give adequate comfort for the long jobs or Deluxe Cushion seat for additional suspension over rough terrain.
Molded-in cup holders	Easy to reach cup holders fit a wide variety of cups, and are in easy access to driver.



Symptoms	Probable Causes	Suggested Remedies
Starting motor does not crank	Control handles not in park brake position (out) or switch not adjusted	Place control handle in park brake position or re-adjust switch
	Blade Engagement switch engaged	Disengage blade switch
	Weak or dead battery	Recharge or replace
	For additional causes	See engine manual
Engine cranks but does not start	No fuel or line plugged	Fill tank or replace line
	Numerous	See engine manual
	Left Hand Tank has gas	Switch Left/Right tank valve. Open shut-off valve on bottom of tank by turning counter clockwise. See Figure 4-6 on page 26.
Engine: Runs with continuous misfiring or engine runs unevenly or erratically	Numerous	See engine manual
Loss of power or system will not operate in either direction	Restrictions in air cleaner	Service air cleaner
	Internal interference or leakage in Hydro-Drive	See your dealer
	Insufficient hydraulic oil supply	Have dealer check hydro-drive
	Poor compression	See your dealer
	Steering linkage needs adjustment	Adjust linkage
	Air in system	Check filter & fittings
	For additional causes	See engine manual
Overheating	Air intake screen or cleaning fins clogged	Clean screen and fin
	For additional causes	See engine manual
Low oil pressure	Low oil level	Add oil
	Oil diluted or too light	Change oil and check for source of contamination
High oil consumption	Numerous	See your dealer
Mower jerky when starting or operates in one direction only	Steering control linkage needs adjustment	Adjust linkage
	Hydro-drive faulty	See your dealer
Hydraulic system operates hot	Hydro-drive faulty	See your dealer
Mower creeps when steering control levers are in neutral	Steering linkage needs adjustment	Adjust linkage
Mower circles or veers in one direction	Steering linkage needs adjustment	Adjust linkage
	Hydro-drive faulty	See your dealer
	Hydro-drive faulty	See your dealer
Mower creeps when parking brake engaged	Steering linkage needs adjustment	Adjust steering linkage
	Brakes need adjustment	Adjust parking brakes
Oil Light is on when engine is running	Engine oil level low	Fill engine oil to required level



Torque Values Chart													
Bolt Size (Inches)	Bolt Head Identification						Bolt Size (Metric)	Bolt Head Identification					
	Grade 2		Grade 5		Grade 8			Class 5.8		Class 8.8		Class 10.9	
in-tpi ¹	N · m	ft-lb ³	N · m	ft-lb	N · m	ft-lb	mm x pitch	N · m	ft-lb	N · m	ft-lb	N · m	ft-lb
1/4" - 20	7.4	5.6	11	8	16	12	M 5 X 0.8	4	3	6	5	9	7
1/4" - 28	8.5	6	13	10	18	14	M 6 X 1	7	5	11	8	15	11
5/16" - 18	15	11	24	17	33	25	M 8 X 1.25	17	12	26	19	36	27
5/16" - 24	17	13	26	19	37	27	M 8 X 1	18	13	28	21	39	29
3/8" - 16	27	20	42	31	59	44	M10 X 1.5	33	24	52	39	72	53
3/8" - 24	31	22	47	35	67	49	M10 X 0.75	39	29	61	45	85	62
7/16" - 14	43	32	67	49	95	70	M12 X 1.75	58	42	91	67	125	93
7/16" - 20	49	36	75	55	105	78	M12 X 1.5	60	44	95	70	130	97
1/2" - 13	66	49	105	76	145	105	M12 X 1	90	66	105	77	145	105
1/2" - 20	75	55	115	85	165	120	M14 X 2	92	68	145	105	200	150
9/16" - 12	95	70	150	110	210	155	M14 X 1.5	99	73	155	115	215	160
9/16" - 18	105	79	165	120	235	170	M16 X 2	145	105	225	165	315	230
5/8" - 11	130	97	205	150	285	210	M16 X 1.5	155	115	240	180	335	245
5/8" - 18	150	110	230	170	325	240	M18 X 2.5	195	145	310	230	405	300
3/4" - 10	235	170	360	265	510	375	M18 X 1.5	220	165	350	260	485	355
3/4" - 16	260	190	405	295	570	420	M20 X 2.5	280	205	440	325	610	450
7/8" - 9	225	165	585	430	820	605	M20 X 1.5	310	230	650	480	900	665
7/8" - 14	250	185	640	475	905	670	M24 X 3	480	355	760	560	1050	780
1" - 8	340	250	875	645	1230	910	M24 X 2	525	390	830	610	1150	845
1" - 12	370	275	955	705	1350	995	M30 X 3.5	960	705	1510	1120	2100	1550
1-1/8" - 7	480	355	1080	795	1750	1290	M30 X 2	1060	785	1680	1240	2320	1710
1 1/8" - 12	540	395	1210	890	1960	1440	M36 X 3.5	1730	1270	2650	1950	3660	2700
1 1/4" - 7	680	500	1520	1120	2460	1820	M36 X 2	1880	1380	2960	2190	4100	3220
1 1/4" - 12	750	555	1680	1240	2730	2010							
1 3/8" - 6	890	655	1990	1470	3230	2380							
1 3/8" - 12	1010	745	2270	1670	3680	2710							
1 1/2" - 6	1180	870	2640	1950	4290	3160							
1 1/2" - 12	1330	980	2970	2190	4820	3560							

¹ in-tpi = nominal thread diameter in inches-threads per in.
² N · m = newton-meters
³ ft-lb = foot pounds
⁴ mm x pitch = nominal thread diameter in millimeters x thread pitch

Torque tolerance + 0%, -15% of torquing values. Unless otherwise specified use torque values listed above.

Tire Inflation Chart	
Tire	Inflation PSI
Drive Wheels	8-12
Gauge Wheels	8-12



Notes

Warranty

Land Pride warrants to the original purchaser that this Land Pride product will be free from defects in material and workmanship beginning on the date of purchase by the end user according to the following schedule:

*Residential use: 2 years from date of delivery on all materials and workmanship.

*Normal residential purpose means use of product on same lot as your home.

Commercial use: For commercial, institutional or rental use; 90 days from date of delivery on all materials and workmanship.

Deck: All defects in the deck which results in the front edge of the deck being bent into the blades for the entire length of ownership by the original purchaser. (Commercial or Residential)

Engine: 2 year limited warranty on Parts and Labor, through engine manufacturer. (Commercial or Residential)

Battery: 1 year limited warranty (Commercial or Residential)

Belts, blades, and tires are considered wear items.

This Warranty is limited to the replacement of any defective part by Land Pride and the installation by the dealer of any such replacement part, and does not cover common wear items such as blades, belts, tires, etc. Land Pride reserves the right to inspect any equipment or parts which are claimed to have been defective in material or workmanship.

This Warranty does not apply to any part or product which in Land Pride's judgment shall have been misused or damaged by accident or lack of normal maintenance or care, or which has been repaired or altered in a way which adversely affects its performance or reliability, or which has been used for a purpose for which the product is not designed. Misuse also specifically includes failure to properly maintain oil levels, grease points, and other routine maintenance items.

Claims under this Warranty must be made to the dealer which originally sold the product and all warranty adjustments must be made through such dealer. Land Pride reserves the right to make changes in materials or design of the product at any time without notice.

This Warranty shall not be interpreted to render Land Pride liable for damages of any kind, direct, consequential, or contingent to property. Furthermore, Land Pride shall not be liable for damages resulting from any cause beyond its reasonable control. This Warranty does not extend to loss of profits, any expense or loss for labor, supplies, rental machinery or for any other reason.

No other warranty of any kind whatsoever, express or implied, is made with respect to this sale; and all implied warranties of merchantability and fitness for a particular purpose which exceed the obligations set forth in this written warranty are hereby disclaimed and excluded from this sale.

This Warranty is not valid unless registered with Land Pride within 30 days from the date of purchase by the end user.



Corporate Office: P.O. Box 5060
Salina, Kansas 67402-5060 USA
www.landpride.com
