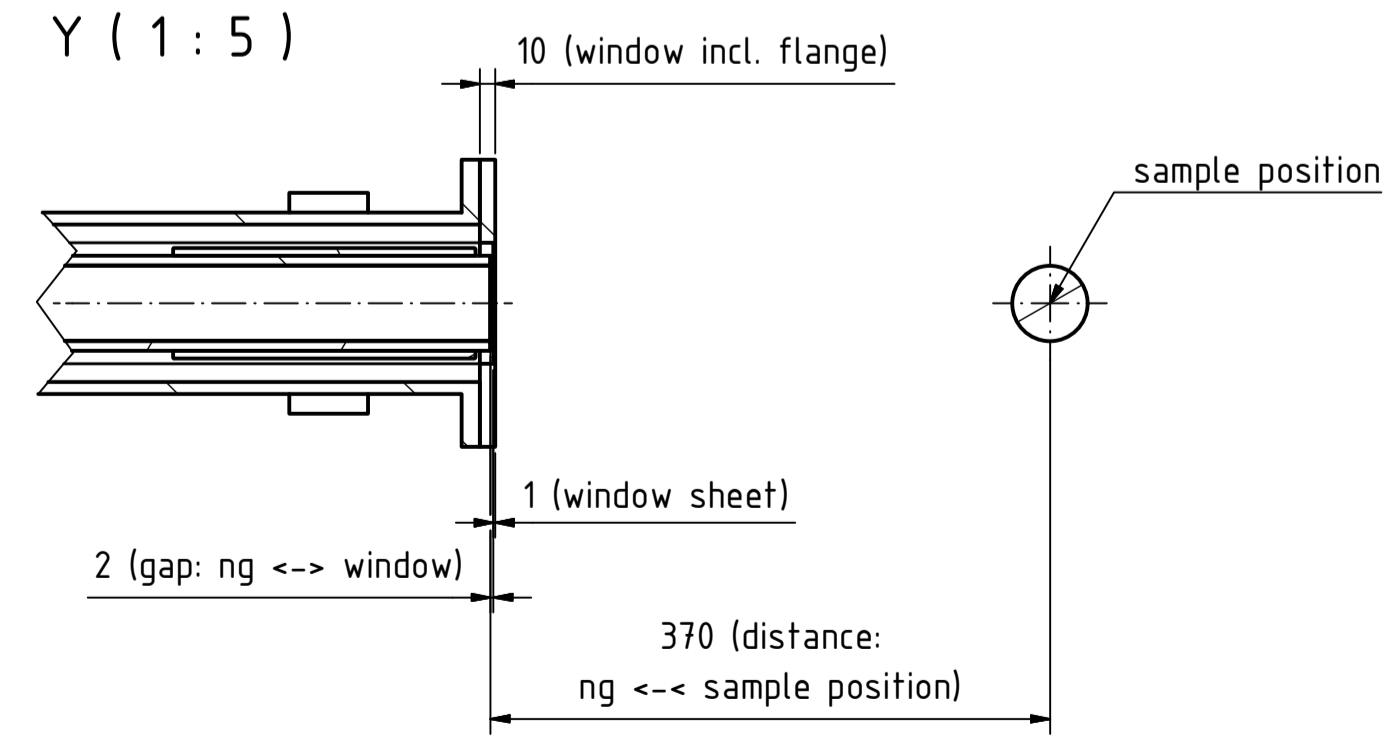


Z ( 1 : 6 )



Test pressure: $< 5 \times 10^{-2}$ mbar
Max. leak rate: $1 \times 10^{-7}$ mbar·l/s
02 General tolerances ISO 2768-mK
01 All dimensions are in millimeter
No. Notes

Revision: -	Date:	Name:	SN16070 NERA focusing guide
Revision comment:			DUBNA
Prepared:	30.05.2017	Pascal Baumgartner	Dimensions ISO 14405 © / Dimensions = mm
Approved:			1663,5 kg   A1 1 / 1