



42A700

Illustrated Parts List Model Series 42A700

TYPE NUMBERS
1107 through 2655.

For Use On Engines Built Before Date Code – 02050900

TABLE OF CONTENTS

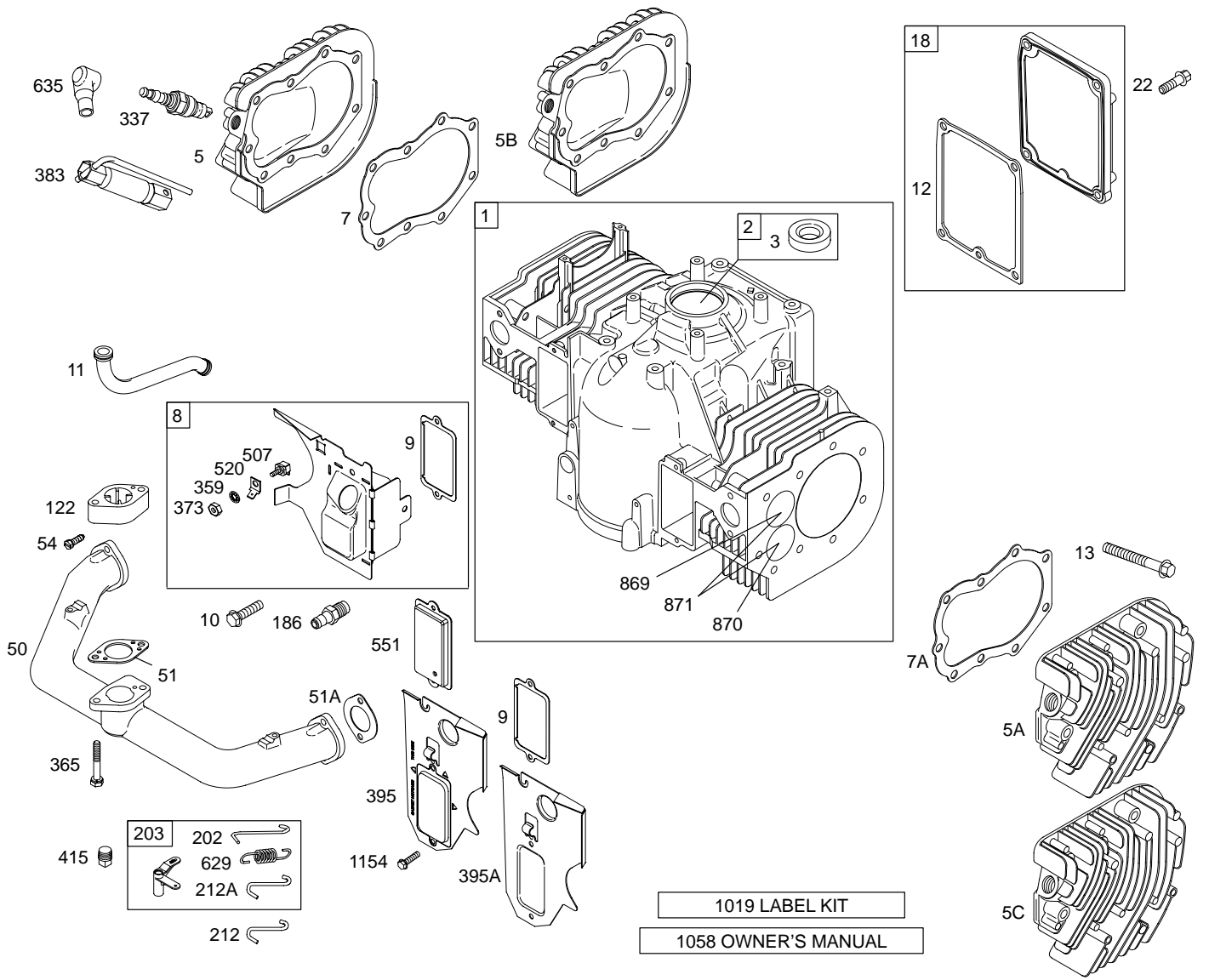
Air Cleaner	9
Alternator	8
Blower Housing/Shrouds	10
Cam	3
Carburetor	6
Carburetor	7
Controls	8
Crankcase Cover/Cylinder	2
Crankshaft	3
Electric Starter	12
Flywheel	11
Head	2
Kit/Gasket Sets – Carburetor	6
Kit/Gasket Sets – Engine	2
Kit/Gasket Sets – Fuel Pump	6
Kit/Gasket Sets – Valve	2
Muffler	9
Oil	4
Piston	3
Sump	5
Valves	3



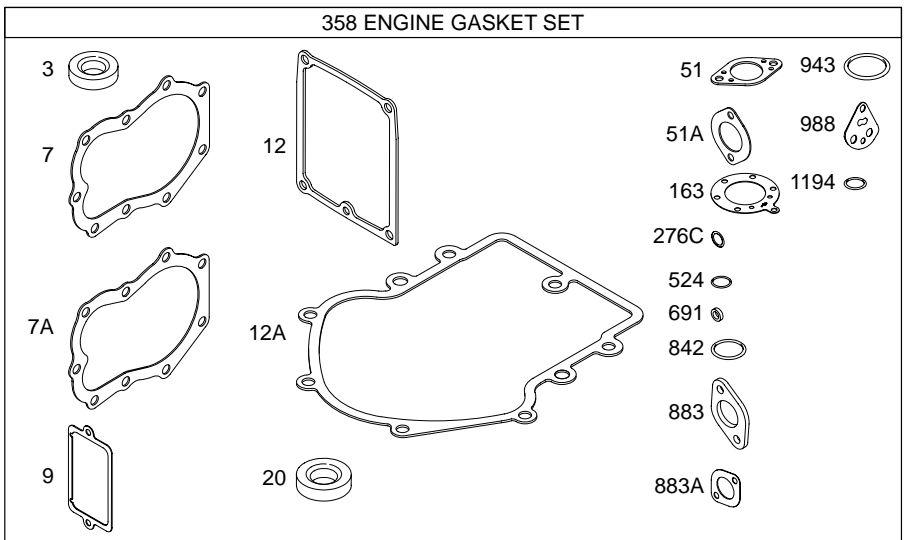
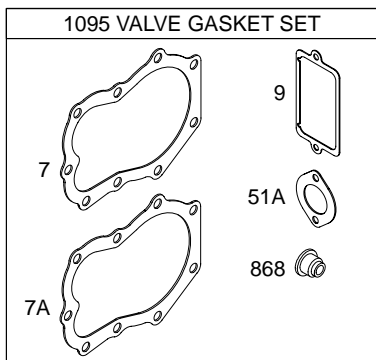
PRINTED IN U.S.A.

COPYRIGHT by BRIGGS & STRATTON CORPORATION
All rights reserved. No part of this material may be reproduced or transmitted, in any form or by any means, electronic or mechanical, including photocopying, recording or by any information storage and retrieval system, without permission in writing from Briggs & Stratton Corporation.

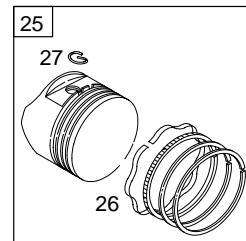
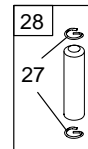
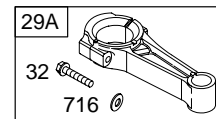
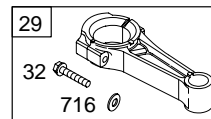
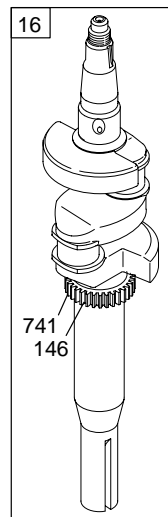
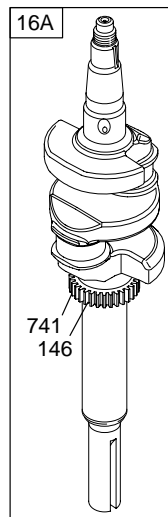
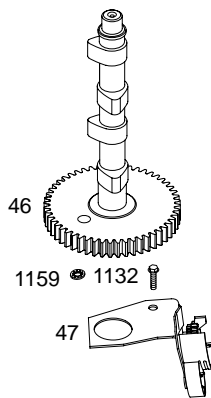
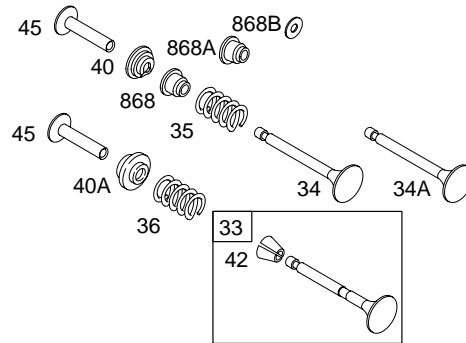
42A700

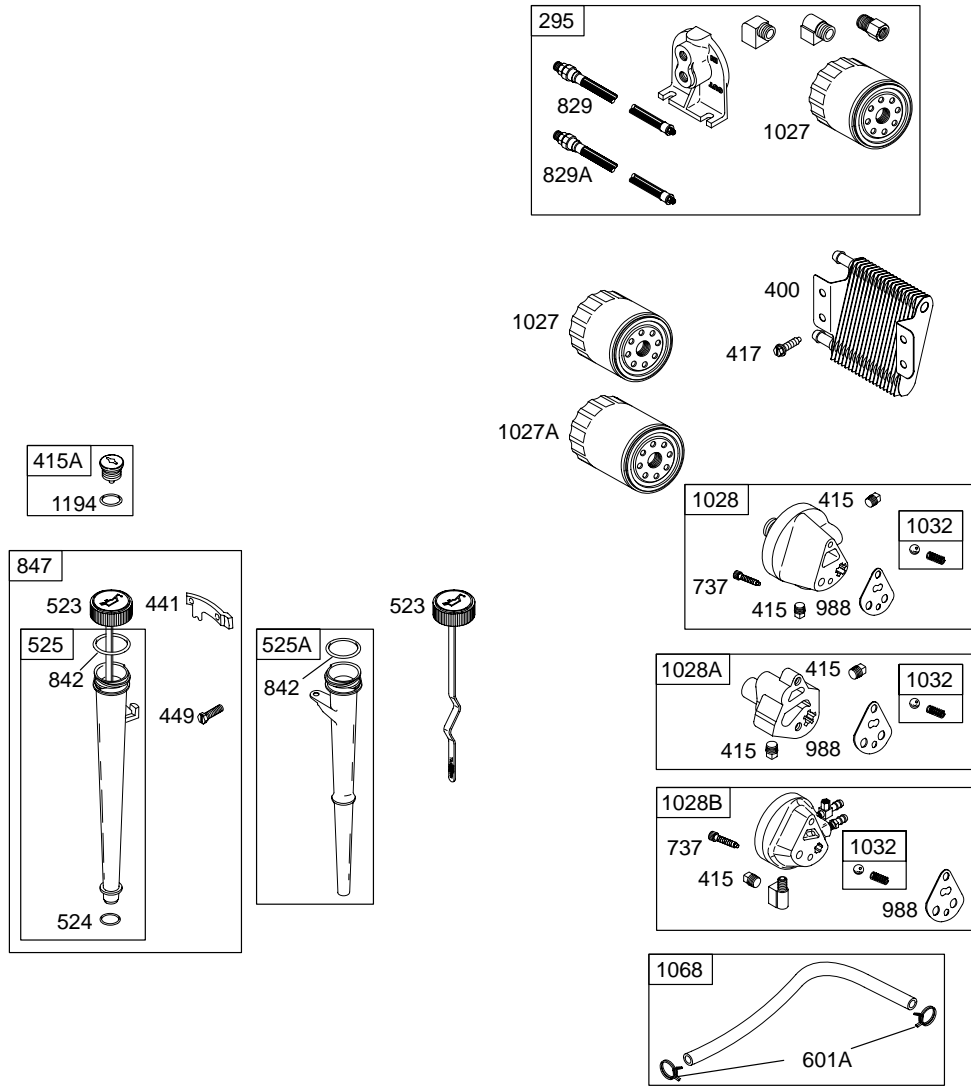


1019 LABEL KIT
1058 OWNER'S MANUAL

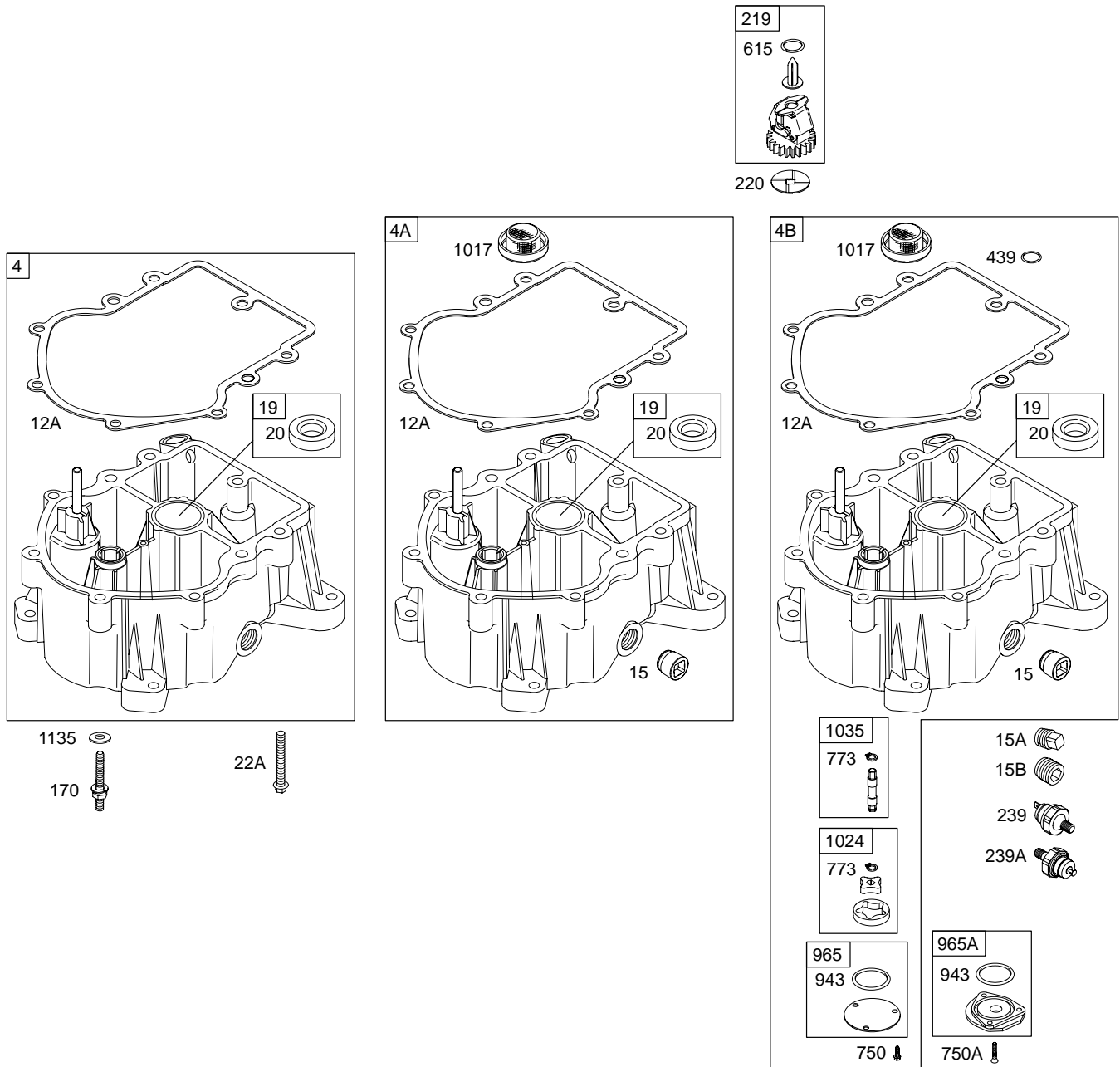


Illustrations cover a range of engines. Parts shown without corresponding text may not be used on your specific engine.
0635-2 Assemblies include all parts shown in frames. 5C-6/2002



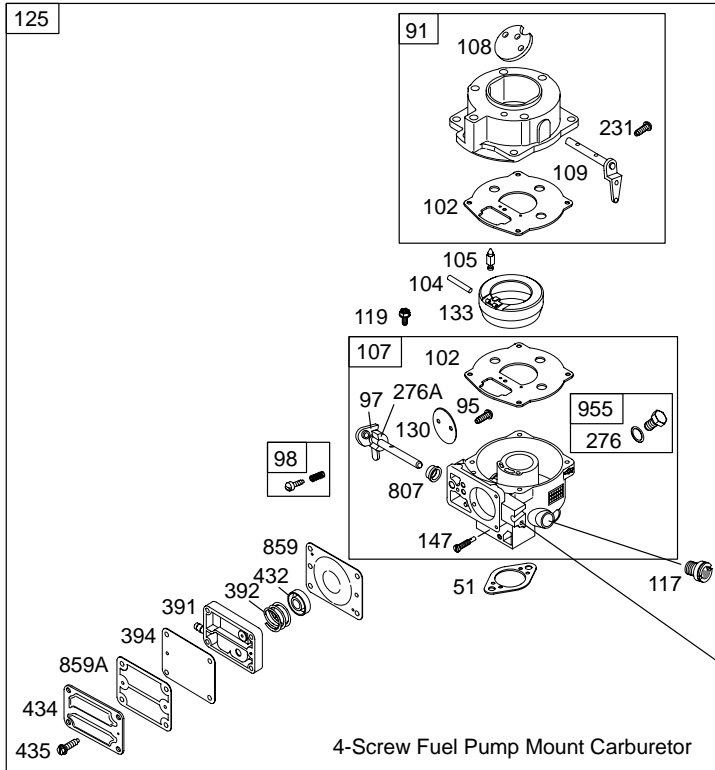


Illustrations cover a range of engines. Parts shown without corresponding text may not be used on your specific engine.



42A700

SEE ADDITIONAL PAGES FOR MORE CARBURETOR INFORMATION

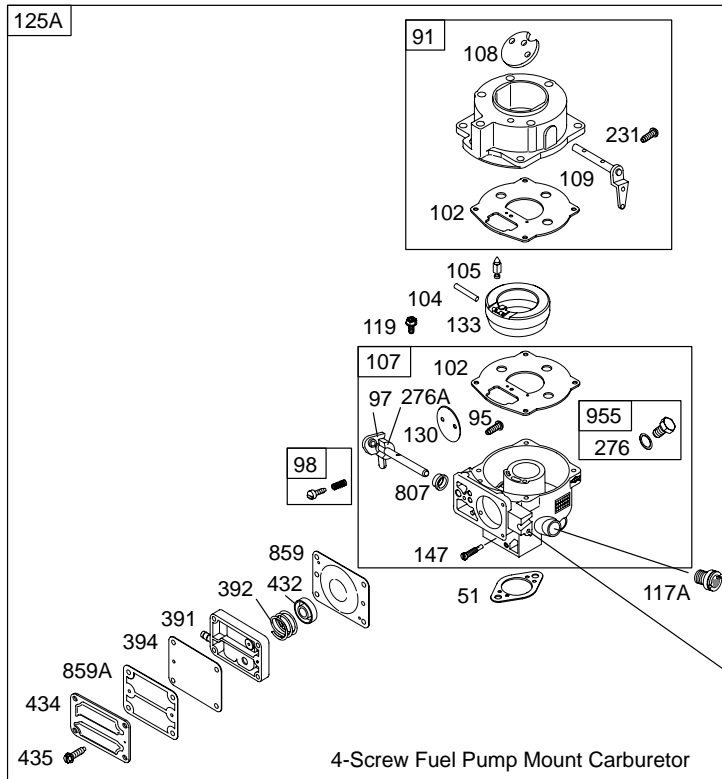
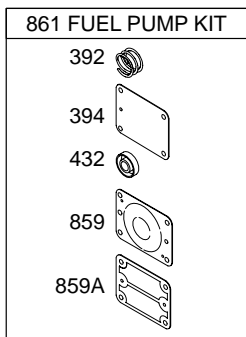
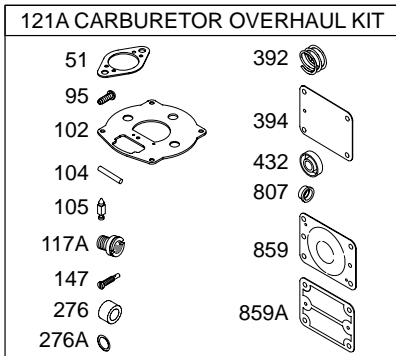
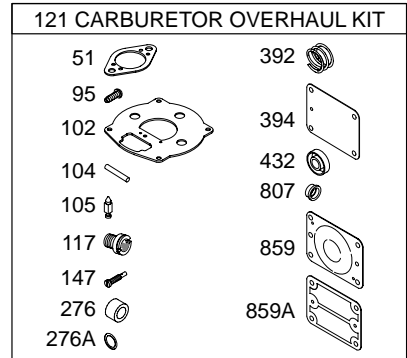
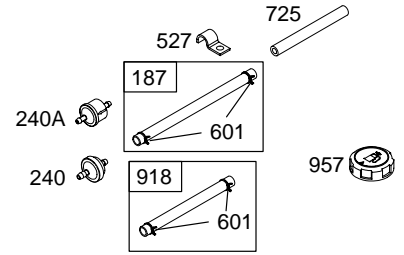


Model 4607

Model 4617

Model 4627

Model 4637



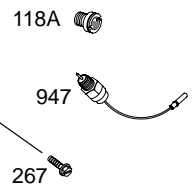
Model 42A7

Model 42B7

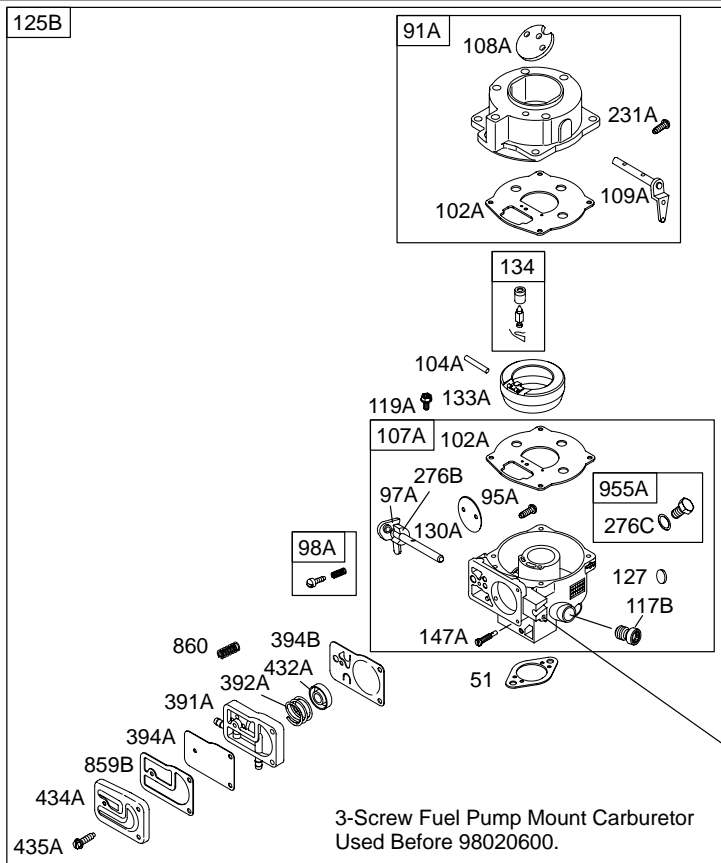
Model 42D7

Model 42E7

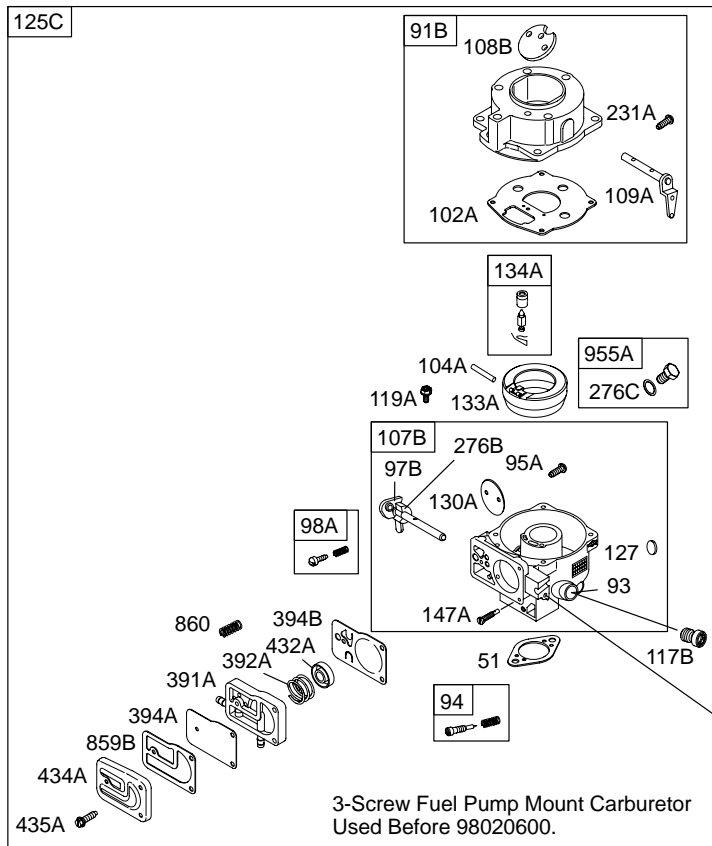
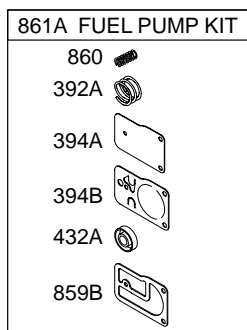
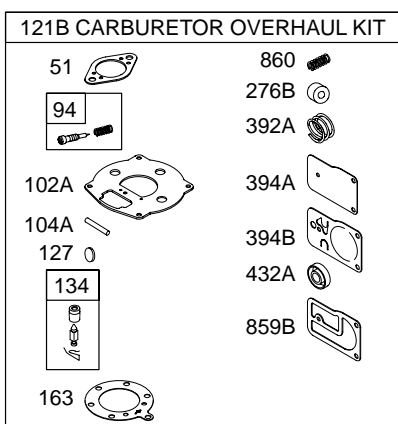
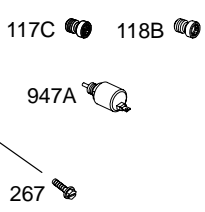
Model 4227



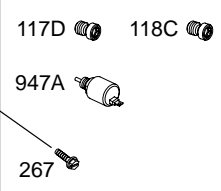
Illustrations cover a range of engines. Parts shown without corresponding text may not be used on your specific engine.
0635-6 Assemblies include all parts shown in frames. **5C-6/2002**



- Model 42A7**
 - Model 42B7**
 - Model 42D7**
 - Model 42E7**
 - Model 42Z7**
- 3-Screw Fuel Pump Mount Carburetor
Used Before 98020600.

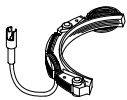
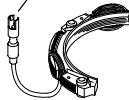





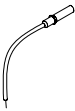
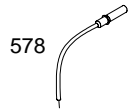

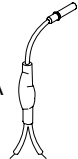
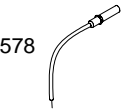
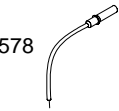
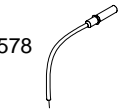

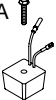
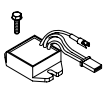


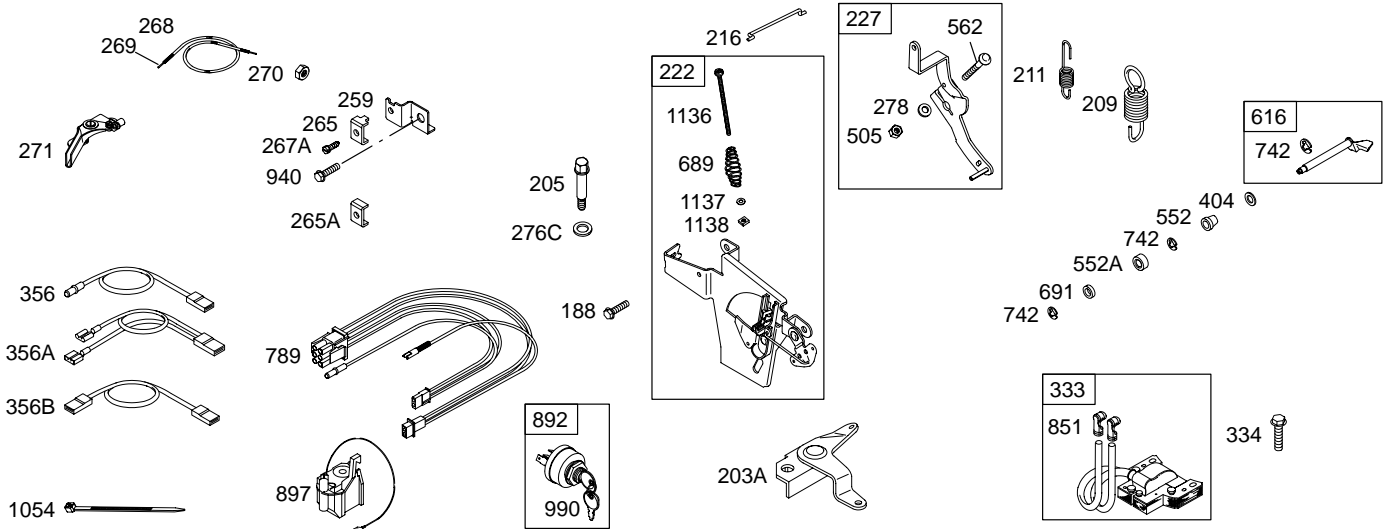
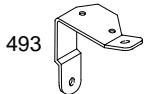
- Model 4607**
 - Model 4617**
- 3-Screw Fuel Pump Mount Carburetor
Used Before 98020600.



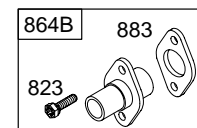
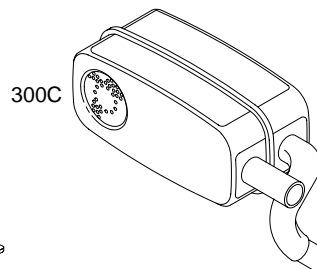
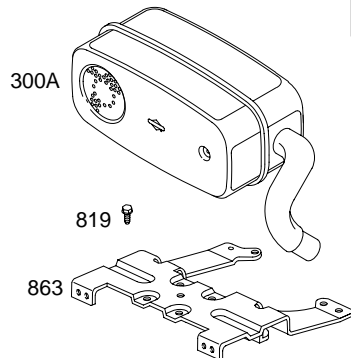
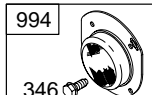
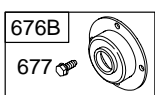
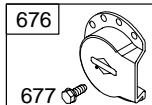
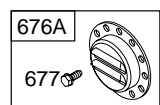
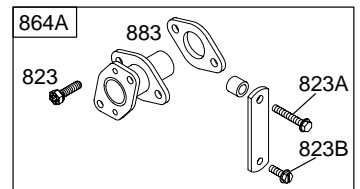
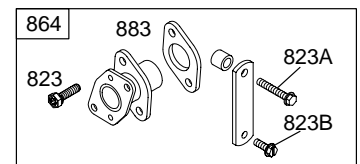
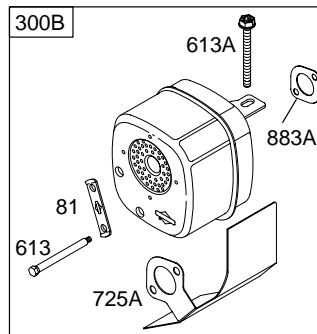
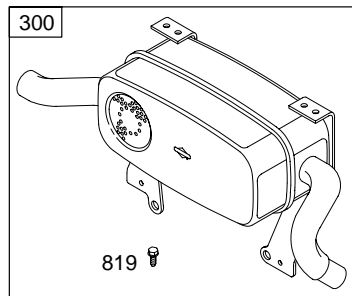
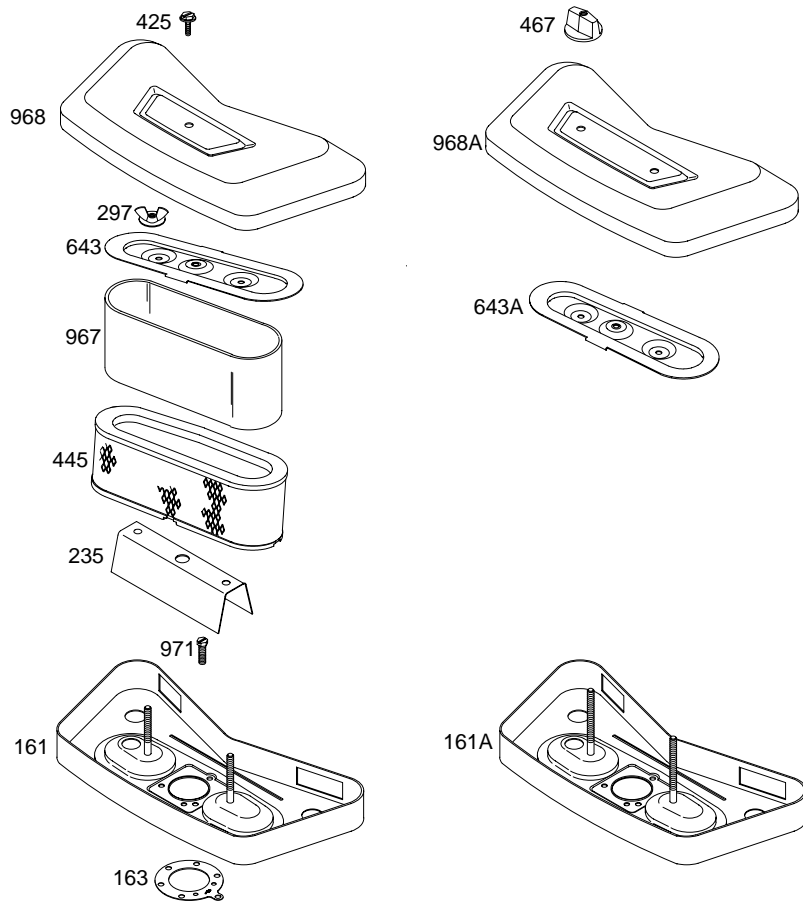
Illustrations cover a range of engines. Parts shown without corresponding text may not be used on your specific engine.
0635-7 Assemblies include all parts shown in frames. 5C-6/2002

42A700

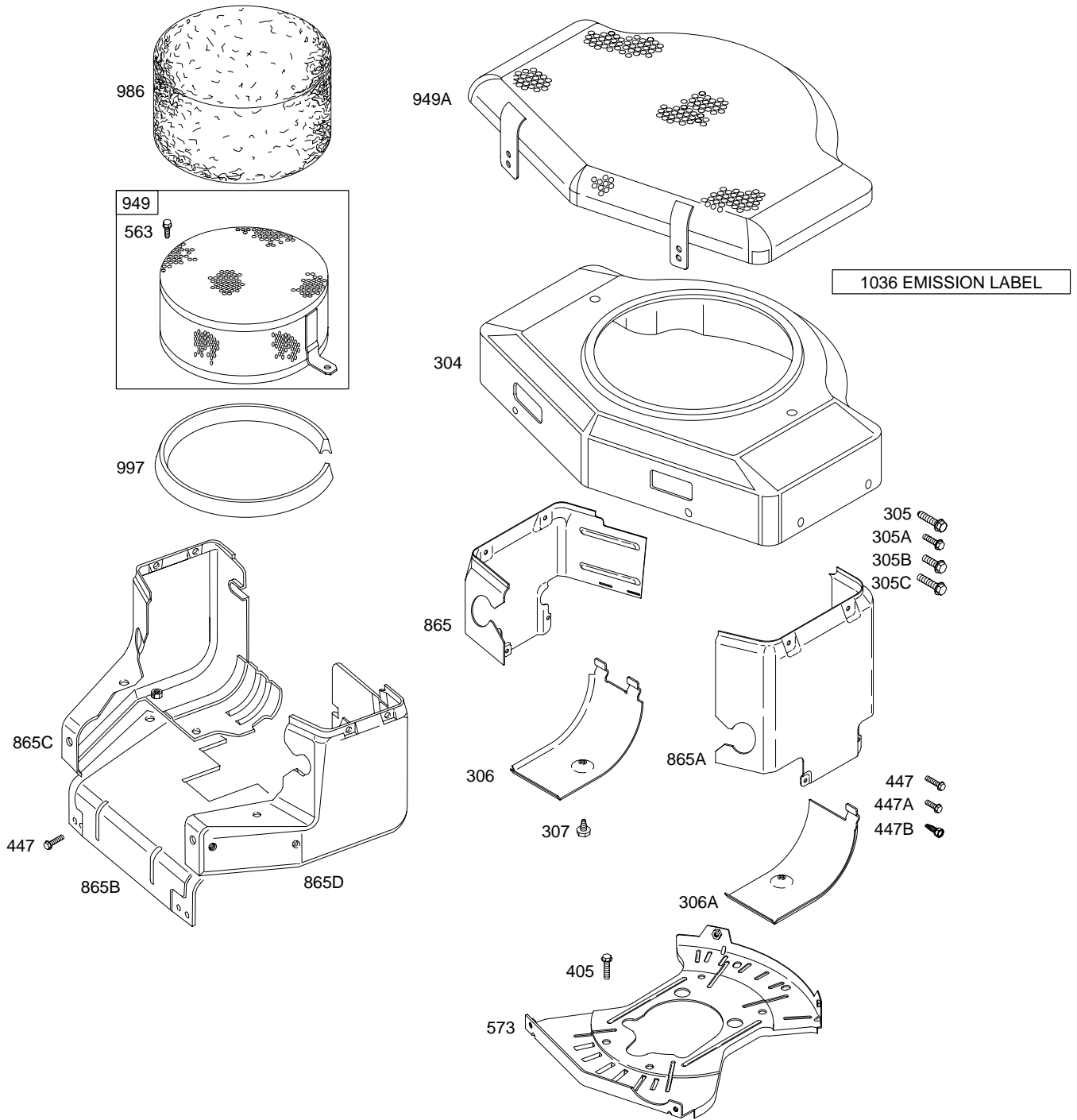
AC ONLY	DC ONLY	DUAL CIRCUIT	TRI CIRCUIT	9 AMP	10 AMP	16 AMP
474	474A	474B	474C	474C	474D	474D
	877A 	877 	877B 	877B 	877C 	877C 
578 	578 	878 	878A 	578 	578 	578 
<p>NOTE: All Stators Use a No. 1119 Mounting Screw. </p> <p>NOTE: The proper flywheel part number and/or the alternator magnet size will determine the alternator type or output. See repair instruction manual for additional information.</p>				526A 	526 501 	



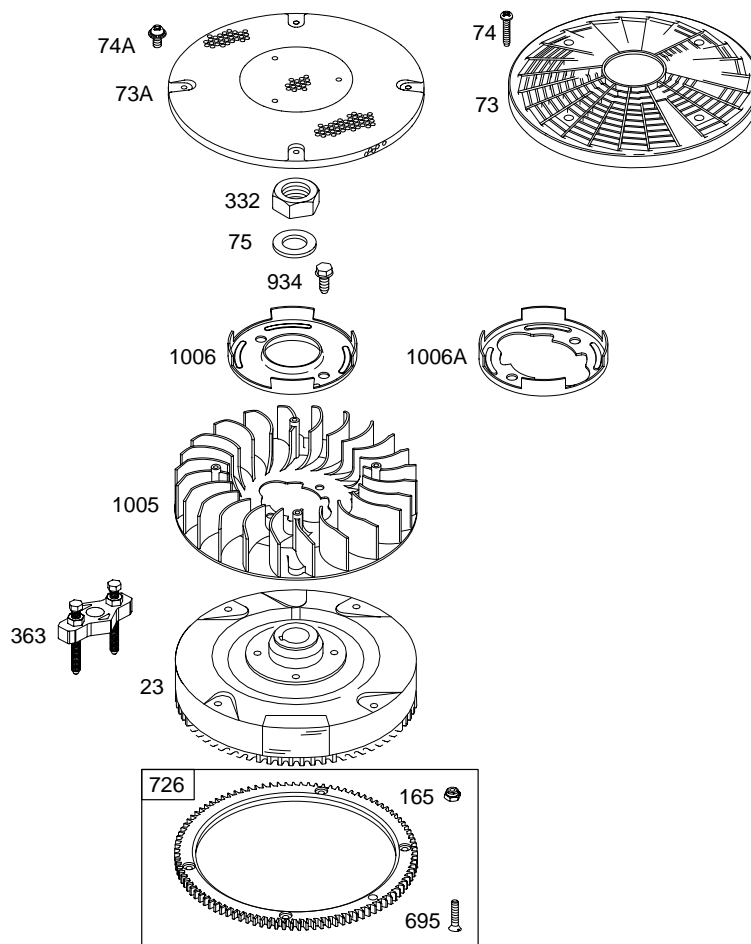
Illustrations cover a range of engines. Parts shown without corresponding text may not be used on your specific engine.
 0635-8 Assemblies include all parts shown in frames. 5C-6/2002



Illustrations cover a range of engines. Parts shown without corresponding text may not be used on your specific engine.
 0635-9 Assemblies include all parts shown in frames. 5C-6/2002

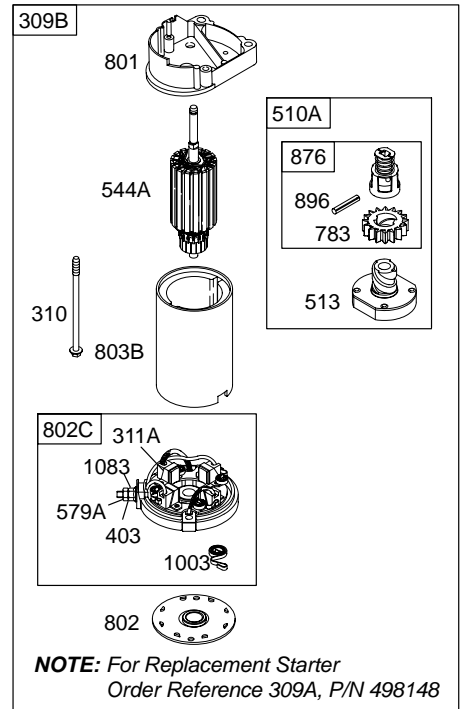
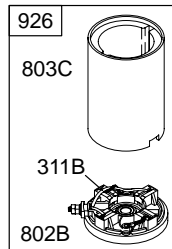
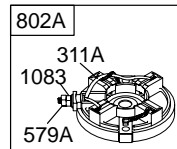
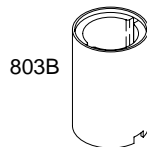
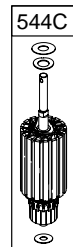
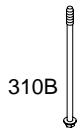
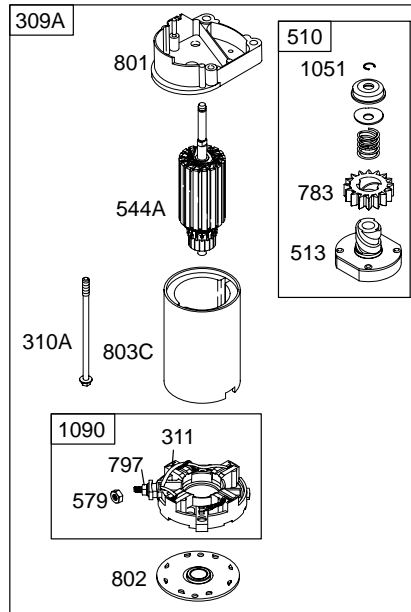
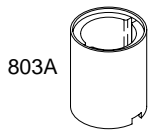
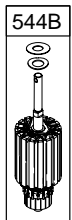
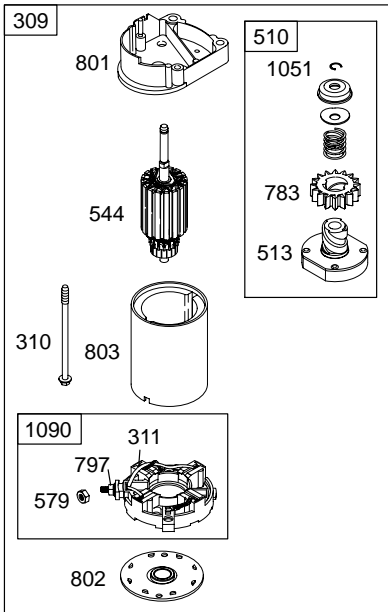


Illustrations cover a range of engines. Parts shown without corresponding text may not be used on your specific engine.



Illustrations cover a range of engines. Parts shown without corresponding text may not be used on your specific engine.

697 



Illustrations cover a range of engines. Parts shown without corresponding text may not be used on your specific engine.
0635-12 Assemblies include all parts shown in frames. 5C-6/2002

REF. NO.	PART NO.	DESCRIPTION	REF. NO.	PART NO.	DESCRIPTION	REF. NO.	PART NO.	DESCRIPTION	
1	498583	Cylinder Assembly	16	690636	Crankshaft	26	394959	Ring Set (Standard)	
2	399265	Kit-Bushing/Seal (Magneto Side)			———— Note ————			———— Note ————	
3	★391086	Seal-Oil (Magneto Side)		690784	Crankshaft Used on Type No(s). 1127, 1201, 1236, 1270, 1271, 1272, 1285, 1295, 1298, 1727, 1886, 2127, 2201, 2236, 2239, 2271, 2295, 2296.		394960	Ring Set (.010" Oversize)	
4	493304	Sump-Engine (Splash Lube)					394961	Ring Set (.020" Oversize)	
4A	692709	Sump-Engine (Pressure Lube) (Used After Code Date 98011100).					394962	Ring Set (.030" Oversize)	
4B	692710	Sump-Engine (Pressure Lube) (Used Before Code Date 98011200).	18	495901	Cover-Crankcase	27	691299	Lock-Piston Pin (Used After Code Date 96042900).	
5	493457	Head-Cylinder (Cylinder 1)	19	399264	Kit-Bushing/Seal (PTO Side)			———— Note ————	
5A	493458	Head-Cylinder (Cylinder 2)	20	★291675	Seal-Oil (PTO Side)		691792	Lock-Piston Pin (Used Before Code Date 96043000).	
7	∅★271867	Gasket-Cylinder Head (Cylinder 1)	22	691104	Screw (Crankcase Cover/Sump)	28	498319	Pin-Piston (Standard) (Used After Code Date 96042900).	
7A	∅★271868	Gasket-Cylinder Head (Cylinder 2)	22A	693972	Screw (Crankcase Cover/Sump)			———— Note ————	
8	495754	Breather Assembly	23	691976	Flywheel		299691	Pin-Piston (Standard) (Used Before Code Date 96043000).	
9	∅★27803	Gasket-Breather			———— Note ————				
10	690334	Screw (Breather Assembly)		690655	Flywheel Used on Type No(s). 1107, 1127, 1272, 1285, 1295, 1298, 1299, 1300, 1727, 2107, 2295, 2300.			498320	Pin-Piston (.005" Oversize) (Used After Code Date 96042900).
11	691899	Tube-Breather						391286	Pin-Piston (.005" Oversize) (Used Before Code Date 96043000).
12	★692287	Gasket-Crankcase	24	222698	Key-Flywheel	29	394306	Rod-Connecting (Standard)	
12A	★692292	Gasket-Crankcase (.015" Thick) (Standard)	25	498584	Piston Assembly (Standard)			———— Note ————	
		———— Note ————			———— Note ————			397158	Rod-Connecting (.020" Undersize)
		★271188 Gasket-Crankcase (.005" Thick)		498585	Piston Assembly (.010" Oversize)				
		★271189 Gasket-Crankcase (.009" Thick)		498586	Piston Assembly (.020" Oversize)				
13	691651	Screw (Cylinder Head)		498587	Piston Assembly (.030" Oversize)	32	691133	Screw (Connecting Rod)	
15	691680	Plug-Oil Drain (1/2" Square Flush)							
15A	690946	Plug-Oil Drain (3/8" Standard)							

★ Included in Engine Gasket Set-Ref. No. 358.

● Included in Carburetor Overhaul Kit-Ref. No. 121.

■ Included in Carburetor Gasket Set-Ref. No. 977.

∅ Included in Valve Gasket Set-Ref. No. 1095.

Illustrations cover a range of engines. Parts shown without corresponding text may not be used on your specific engine.

42A700

REF. NO.	PART NO.	DESCRIPTION	REF. NO.	PART NO.	DESCRIPTION	REF. NO.	PART NO.	DESCRIPTION
33	691794	Valve-Exhaust	91	693483	Body-Upper Carburetor	118A	693499	Jet-Main (High Altitude)
34	691804	Valve-Intake	91A	499281	Body-Upper Carburetor	118B	231333	Jet-Main (High Altitude)
35	691605	Spring-Valve (Intake)	91B	495035	Body-Upper Carburetor	119	690720	Screw (Upper To Lower Carburetor Body)
36	691597	Spring-Valve (Exhaust)	93	690513	Bushing-Throttle Shaft	119A	691090	Screw (Upper to Lower Carburetor Body)
40	690656	Retainer-Valve (Intake)	94	●491538	Kit-Idle Mixture	121A	693503	Kit-Carburetor Overhaul (Used On 4 Screw Fuel Pump Mount Carburetors)
40A	691939	Retainer-Valve (Exhaust)	95	690718	Screw (Throttle Valve)	121B	694056	Kit-Carburetor Overhaul (Used On 3 Screw Fuel Pump Mount Carburetors)
42	494553	Keeper-Valve	95A	691437	Screw (Throttle Valve)	122	691928	Spacer-Carburetor
45	691800	Tappet-Valve	97	693485	Shaft-Throttle	125A	693480	Carburetor (4 Screw Fuel Pump Mount)
46	691156	Camshaft	97A	691485	Shaft-Throttle	125B		Carburetor (3 Screw Fuel Pump Mount) (Service With Reference 125A)
		Note _____	97B	690629	Shaft-Throttle	127	●691739	Plug-Welch
		214484 Camshaft	98	807923	Kit-Idle Speed	130	693504	Valve-Throttle
		Used on Type No(s).	98A	693942	Kit-Idle Speed	130A	691727	Valve-Throttle
		1707, 1838, 2107,	102	●693509	Gasket-Carburetor Body	133	693512	Float-Carburetor
		2238, 2299, 2300,	102A	●273186	Gasket-Carburetor Body	133A	692265	Float-Carburetor
		2550, 2600, 2625,	104	●693506	Pin-Float Hinge	134	●394682	Kit-Needle/Seat
		2652, 2653, 2655.	104A	●691775	Pin-Float Hinge	146	691639	Key-Timing
		692857 Camshaft	105	●692078	Valve-Float Needle	147	693508	Jet-Pilot
		Used on Type No(s).	107	693482	Body-Lower Carburetor	147A	691431	Jet-Pilot
		1727, 1886, 2127,	107A	499655	Body-Lower Carburetor	161	691401	Base-Air Cleaner (Metal)
		2201, 2236, 2239,	107B	491543	Body-Lower Carburetor	163	★●690273	Gasket-Air Cleaner
		2271, 2295, 2296.	108	693505	Valve-Choke	165	693148	Nut (Ring Gear)
47	691964	Slinger-Oil	108A	691233	Valve-Choke			
50	691709	Manifold-Intake	108B	223534	Valve-Choke			
51	★●692278	Gasket-Intake	109	693498	Shaft-Choke			
51A	∅★692219	Gasket-Intake	109A	691957	Shaft-Choke			
54	93208	Screw (Intake Manifold)	117A	693507	Jet-Main (Standard)			
73	691438	Screen-Rotating (Plastic)	117B	691773	Jet-Main (Standard)			
73A	692527	Screen-Rotating (Steel)	117C	691253	Jet-Main (Standard)			
74	691134	Screw (Rotating Screen)						
74A	691677	Screw (Rotating Screen)						
75	691056	Washer (Flywheel)						
81	691178	Lock-Muffler Screw						

★ Included in Engine Gasket Set-Ref. No. 358.

● Included in Carburetor Overhaul Kit-Ref. No. 121.

■ Included in Carburetor Gasket Set-Ref. No. 977.

∅ Included in Valve Gasket Set-Ref. No. 1095.

Illustrations cover a range of engines. Parts shown without corresponding text may not be used on your specific engine.

REF. NO.	PART NO.	DESCRIPTION	REF. NO.	PART NO.	DESCRIPTION	REF. NO.	PART NO.	DESCRIPTION
170	691695	Stud (Crankcase Cover/Sump) (Used In Positions 1 and 7) Used on Type No(s). 1237, 1238, 1270, 1550.	222	691366	Bracket—Control	305	690960	Screw (Blower Housing)
186	691764	Connector—Hose (Pulse Line)	227	690762	Lever—Governor Control	305A	691003	Screw (Blower Housing)
187	499167	Line—Fuel (Cut to Required Length)	231	690718	Screw (Choke Valve)	306	690414	Shield—Cylinder
188	691003	Screw (Control Bracket)	231A	691437	Screw (Choke Valve)	306A	690435	Shield—Cylinder
202	690570	Link—Mechanical Governor	235	691206	Shield—Fuel Spray	307	691003	Screw (Cylinder Shield)
203	493230	Crank—Bell	240	394358	Filter—Fuel	309	497596	Motor—Starter (3-5/8" Housing Length)
205	690322	Screw (Bell Crank)	259	690437	Bracket—Casing Clamp	309A	498148	Motor—Starter (4-3/8" Housing Length)
209	691273	Spring—Governor (White)	265	691024	Clamp—Casing	309B		Motor—Starter (For Replacement Starter Motor, Order Reference 309A)
		Note	267	690316	Screw (Casing Clamp)	310	690323	Bolt (Starter Motor) (3-5/8" Housing Length)
		690558 Spring— Governor (Brown) Used on Type No(s). 1107, 1127, 1201, 1600, 2107, 2127, 2201, 2600.	268	691025	Casing—Control Wire (Cut To Required Length)	310A	691263	Bolt (Starter Motor) (4-3/8" Housing Length)
		690565 Spring— Governor (Orange) Used on Type No(s). 1272.	269	691026	Wire—Control (Cut to Required Length)	310B	692329	Bolt (Starter Motor) (4-1/2" and 4-3/8" Housing Length)
211	691807	Spring—Governed Idle	270	691027	Nut (Control Wire Casing)	311	497608	Brush Set
212	693544	Link—Throttle (Used On 4 Screw Fuel Pump Mount Carburetors)	271	691028	Lever—Control	311A	395538	Brush Set (3-5/8" Housing Length)
212A	690571	Link—Throttle (Used On 3 Screw Fuel Pump Mount Carburetors)	276	693497	Washer—Sealing (Carburetor Plug)	311B	490311	Brush Set (4-1/2" Housing Length)
219	394348	Gear—Governor	276A	693510	Washer—Sealing (Foam)	332	691059	Nut (Flywheel)
220	690412	Washer (Governor Gear)	276B	691872	Washer—Sealing (Foam)	333	394891	Armature—Magneto (MAGNETRON®)
			276C	691319	Washer—Sealing (Carburetor Plug)	334	691061	Screw (Magneto Armature)
			278	692810	Washer (Governor Control Lever)	337	802592	Plug—Spark (Resistor)
			297	691331	Nut (Air Filter Retainer)	346	690661	Screw (Spark Arrestor)
			300	491319	Muffler (Super Lo Tone)			
			300A	690838	Muffler (Super Lo Tone)			
			300B	399635	Muffler (Square Lo Tone)			
			304	691391	Housing—Blower (Red)			
					Note			
					690826 Housing— Blower (Black)			

★ Included in Engine Gasket Set—Ref. No. 358.

● Included in Carburetor Overhaul Kit—Ref. No. 121.

■ Included in Carburetor Gasket Set—Ref. No. 977.

⊘ Included in Valve Gasket Set—Ref. No. 1095.

Illustrations cover a range of engines. Parts shown without corresponding text may not be used on your specific engine.

42A700

REF. NO.	PART NO.	DESCRIPTION	REF. NO.	PART NO.	DESCRIPTION	REF. NO.	PART NO.	DESCRIPTION
356	690807	Wire—Stop (1 Wire, 15-13/16" Long) (Snap Connect Insulated Female Blade Terminal, And Snap Connect Insulated Pin Socket)	425	691675	Screw (Air Cleaner Cover)	526	690297	Screw (Regulator (10 To 16 Amp Regulated)
356A	491391	Wire—Stop (2 Wires, 5-33/64" And 15-23/32" Long)(Snap Connect Insulated Female Blade Terminal, And 2 Push—On Female Blade Terminals)	432	●■693492	Cap—Spring	526A	690326	Screw (Regulator (5 To 9 Amp Regulated)
356B	691423	Wire—Stop (1 Wire, 10-3/4" Long)(2 Snap Connect Insulated Female Blade Terminals)	432A	●■690766	Cap—Spring	527	690423	Clamp—Tube
358	495868	Gasket Set—Engine	434	693493	Cover—Diaphragm	544	692034	Armature—Starter (3-5/8" Housing Length)
359	691077	Washer (Ground Terminal)	434A	690434	Cover—Diaphragm	544A	498595	Armature—Starter (4-3/8" Housing Length) (Service With Reference 309A, Part Number 498148)
363	19203	Flywheel Puller	435	693494	Screw (Diaphragm Cover)	544B	390837	Armature—Starter (3-5/8" Housing Length)
365	690321	Screw (Carburetor)	435A	691085	Screw (Diaphragm Cover)	544C	490309	Armature—Starter (4-1/2" and 4-3/8" Housing Lengths)
373	691612	Nut (Ground Terminal)	439	690589	Seal—O Ring (Crankcase Cover/Sump)	551	690415	Cover—Valve
383	89838	Wrench—Spark Plug	441	691176	Bracket—Oil Fill	552	690553	Bushing—Governor Crank
391	693487	Body—Fuel Pump	445	394019	Filter—Air Cleaner Cartridge	552A	690552	Bushing—Governor Crank
391A	691896	Body—Fuel Pump	447	690297	Screw (Air Guide Cover)	562	690311	Bolt (Governor Control Lever)
392	●■693491	Spring—Pump Diaphragm	449	691063	Screw (Oil Fill Bracket)	573	696040	Plate—Back (Used After Code Date 00101500).
392A	●■691801	Spring—Pump Diaphragm	474B	696459	Alternator (Dual Circuit)	————— Note —————		
394	●■693489	Diaphragm—Carburetor	474C	696457	Alternator (Tri Circuit 5 To 9 Amp Regulated)	578	692306	Wire Assembly (1 Wire, 48-1/2" Long) (Snap Connect Female Pin Socket, And Bare Wire End)
394A	●■691871	Diaphragm—Carburetor	474D	696458	Alternator (10 To 16 Amp Regulated)	579	690958	Nut (Starter Cable)
394B	●■272638	Diaphragm—Carburetor	493	690416	Bracket—Mounting	579A	691626	Nut (Starter Cable)
395	690481	Cover—Valve Chamber	501	691185	Regulator (10 To 16 Amp Regulated)			
403	690288	Washer (End Cap)	501A	691188	Regulator (5 To 9 Amp Regulated)			
404	690442	Washer (Governor Crank)	505	691029	Nut (Governor Control Lever)			
405	690364	Screw (Back Plate)	507	691672	Insulator			
415	690283	Plug (Oil Pressure Switch)	510	497606	Drive—Starter			
			510A	495878	Drive—Starter			
			513	692024	Clutch—Drive			
			520	691084	Terminal—Ground			
			523	691385	Dipstick			
			524	★692532	Seal—Dipstick Tube			
			525	690823	Tube—Dipstick			

★ Included in Engine Gasket Set—Ref. No. 358.

● Included in Carburetor Overhaul Kit—Ref. No. 121.

■ Included in Carburetor Gasket Set—Ref. No. 977.

∅ Included in Valve Gasket Set—Ref. No. 1095.

Illustrations cover a range of engines. Parts shown without corresponding text may not be used on your specific engine.

REF. NO.	PART NO.	DESCRIPTION	REF. NO.	PART NO.	DESCRIPTION	REF. NO.	PART NO.	DESCRIPTION
601	95162	Clamp-Hose (Zinc Plate) (Spring Wire)	773	692334	Retainer	842	★271170	Seal-O Ring (Dipstick Tube)
613	691416	Screw (Muffler)	783	693059	Gear-Pinion	847	495715	Dipstick/Tube Assembly
613A	690810	Screw (Muffler)	789	695050	Harness-Wiring (6 Pin Customer Conversion)	851	493880	Terminal-Spark Plug
615	690317	Retainer-Governor Shaft	797	693167	Nut (Brush Retainer)	859	●■693488	Gasket-Carburetor Pump
616	491530	Crank-Governor	801	691967	Cap-Drive	859A	●■693490	Gasket-Carburetor Pump
629	262539	Spring- Throttle Return	802	691286	Cap-End	859B	●■691873	Gasket-Carburetor Pump
635	66538	Boot-Spark Plug	802A	395537	Cap-End (3-5/8" Housing Length)	860	●■691799	Spring-Diaphragm
643	496700	Retainer-Air Filter	802B	494988	Cap-End (4-3/8" Housing Length)	861	693502	Kit-Fuel Pump (Used On 4 Screw Fuel Pump Mount Carburetors)
676	393761	Deflector-Muffler	802C		Cap-End (4-3/8" Housing Length)(Service With Reference 309A, Part Number 498148)	861A	393397	Kit-Fuel Pump (Used On 3 Screw Fuel Pump Mount Carburetors)
677	690661	Screw (Muffler Deflector)	803	693757	Housing-Starter (3-5/8" Housing Length)	863	690444	Bracket-Muffler
689	690555	Spring-Friction	803A	398159	Housing-Starter (3-5/8" Housing Length)	864	691975	Adapter-Muffler (Cylinder 1)
691	★690657	Seal-Governor Shaft	803B	398892	Housing-Starter (4-1/2" Housing Length)	864A	691365	Adapter-Muffler (Cylinder 2)
695	693149	Screw (Ring Gear)	803C	494205	Housing-Starter (4-3/8" Housing Length)	864B	691970	Adapter-Muffler
697	691625	Screw (Drive Cap)	807	693511	Spacer-Throttle	865	691196	Cover-Air Guide
716	220863	Washer (Connecting Rod)	819	690297	Screw (Muffler Bracket)	865A	691197	Cover-Air Guide
725	280866	Shield-Heat	823	691681	Screw (Muffler Adapter)	868	∅692324	Seal-Valve (Black)
725A	690420	Shield-Heat	823A	691648	Screw (Muffler Adapter)	869	691802	Seat-Valve (Intake)
726	391362	Gear-Ring (Includes Mounting Hardware)	823B	690316	Screw (Muffler Adapter)	870	691844	Seat-Valve (Exhaust)
737	690332	Screw (Oil Filter Adapter)				871	261961	Bushing-Valve Guide (Exhaust)
741	691285	Gear-Timing				Note		
742	690328	Retainer-E Ring				231218	Bushing-Valve Guide (Intake)	
750	690960	Screw (Oil Pump Cover) (Used After Code Date 98011100).				876	495877	Kit-Pinion Spring
750A	690336	Screw (Oil Pump Cover) (Used Before Code Date 98011200).						

★ Included in Engine Gasket Set-Ref. No. 358.

● Included in Carburetor Overhaul Kit-Ref. No. 121.

■ Included in Carburetor Gasket Set-Ref. No. 977.

∅ Included in Valve Gasket Set-Ref. No. 1095.

Illustrations cover a range of engines. Parts shown without corresponding text may not be used on your specific engine.
0635-17 Assemblies include all parts shown in frames. **5C-6/2002**

42A700

REF. NO.	PART NO.	DESCRIPTION	REF. NO.	PART NO.	DESCRIPTION	REF. NO.	PART NO.	DESCRIPTION	
877	393456	Wire/Connector–Alternator (Dual Circuit)	967	272490	Filter–Pre Cleaner	1051	691265	Ring–Retaining	
877A	399916	Wire/Connector–Alternator (2 Wires, 7-53/64" Long) (2 Bare Wire End, And Insulated Snap Connect Male Pin Terminal)	968	691207	Cover–Air Cleaner	1054	280275	Tie–Cable	
877B	393537	Wire/Connector–Alternator (Tri Circuit 5 To 9 Amp Regulated)	971	691100	Screw (Air Cleaner Base To Carburetor)	1058	274796	Owner's Manual (Emission)	
878	691237	Harness–Alternator (2 Wires, 48-1/2", And 48-1/2" Long) (Snap Connect Female Pin Terminal And 2 Bare Wire Ends)	988	★691313	Gasket–Oil Adapter	Note		272112	Owner's Manual (Non Emission)
878A	691955	Harness–Alternator (3 Wires, 5", 48" And 48" Long) (Snap Connect Pin Socket, 2 Bare Wire Ends, And 2 Insulated Rectifier Diodes)	994	392390	Arrestor–Spark	1083	691958	Nut (End Cap)	
883	★692282	Gasket–Exhaust	1003	490316	Spring–Brush (4-1/2" Housing Length)	1090	691293	Retainer–Brush	
883A	★692236	Gasket–Exhaust	1005	498157	Fan–Flywheel	1095	498047	Gasket Set–Valve	
896	691641	Pin–Drive Retainer	1006	691247	Retainer–Fan	1119	691183	Screw (Alternator)	
918	393815	Vacuum Hose (Cylinder To Impulse Pump) (Cut to Required Length)	1017	690770	Screen–Oil Pump	1132	690353	Screw (Oil Slinger)	
926	498233	Kit–Housing/Cap (4-1/2" Housing Length)	1019	496726	Kit–Label	1135	691261	Washer (Crankcase Cover/Sump) (Used In Positions 1 and 7)	
934	691058	Screw (Fan Retainer)	1024	499054	Pump–Oil	Note		Used on Type No(s). 1237, 1238, 1270, 1550.	
943	★690589	Seal–O Ring (Oil Pump Cover)	1027	492932	Filter–Oil (2-1/4" Long) (Used After Code Date 95060400).			1136	690329
947	693495	Solenoid–Fuel	1027A	491056	Filter–Oil (3-1/4" Long) (Used Before Code Date 95060500).	1137	690390	Washer (Control Bracket) (High Speed Control)	
947A	397266	Solenoid–Fuel	1028	491721	Adapter–Oil Filter	1138	690330	Nut (Control Bracket) (High Speed Control)	
955	693513	Plug–Carburetor	1032	491710	Ball–Oil Pump	1154	690366	Screw (Valve Chamber Cover)	
955A	397882	Plug–Carburetor	1035	693158	Shaft–Pump	1159	690286	Washer (Oil Slinger)	
965	499613	Cover–Oil Pump (Used After Code Date 98011100).	1036	696779	Label–Emission (Used After Code Date 01093000).	Note		695702	Label–Emission (Used After Code Date 00063000 and Before Code Date 01100100).
965A	492197	Cover–Oil Pump (Used Before Code Date 98011200).	Note		694979			Label–Emission (Used After Code Date 99093000 and Before Code Date 00070100).	694391
							499379	Label–Emission (Used Before Code Date 99010100).	

★ Included in Engine Gasket Set–Ref. No. 358.

● Included in Carburetor Overhaul Kit–Ref. No. 121.

■ Included in Carburetor Gasket Set–Ref. No. 977.

⊙ Included in Valve Gasket Set–Ref. No. 1095.

Illustrations cover a range of engines. Parts shown without corresponding text may not be used on your specific engine.