

Owner's Manual & Safety Instructions

Save This Manual Keep this manual for the safety warnings and precautions, assembly, operating, inspection, maintenance and cleaning procedures. Write the product's serial number in the back of the manual near the assembly diagram (or month and year of purchase if product has no number). Keep this manual and the receipt in a safe and dry place for future reference.

REV 15g

**CHICAGO  ELECTRIC
POWER TOOLS**

ITEM 44677

HIGH VOLUME LOW PRESSURE SPRAY GUN KIT



NOTICE

CLEAN IMMEDIATELY

Clean the Spray Gun IMMEDIATELY after EVERY use, in between coats, and when it will be idle for more than 5 minutes.

Delayed or inadequate cleaning will permanently clog the Spray Gun.

Visit our website at: <http://www.harborfreight.com>
Email our technical support at: productsupport@harborfreight.com

When unpacking, make sure that the product is intact and undamaged. If any parts are missing or broken, please call 1-888-866-5797 as soon as possible.

⚠ WARNING

Read this material before using this product. Failure to do so can result in serious injury. SAVE THIS MANUAL.

Copyright © 2004 by Harbor Freight Tools®. All rights reserved.
No portion of this manual or any artwork contained herein may be reproduced in any shape or form without the express written consent of Harbor Freight Tools. Diagrams within this manual may not be drawn proportionally. Due to continuing improvements, actual product may differ slightly from the product described herein. Tools required for assembly and service may not be included.

NOTICE

**Clean the Spray Gun IMMEDIATELY after EVERY use.
Delayed or inadequate cleaning will permanently clog the Spray Gun.
Latex paint hardens quickly and permanently inside Spray Gun.**

Specifications

Power Requirement	110V AC, 60 Hz
Cup Capacity	1 Quart
Hose Specification	15' long, 7/8" I.D.
Air Inlet Size	1.137"
Air Pressure	Constant
Electric Motor	1-1/3 HP
Net Weight	11.75 lb.
Pre-installed Nozzle	1.8 mm (.070")

NOTICE

Clean the Spray Gun IMMEDIATELY after EVERY use.
Delayed or inadequate cleaning will permanently clog the Spray Gun.
Latex paint hardens quickly and permanently inside Spray Gun.

Safety Warnings and Precautions

INSTRUCTIONS PERTAINING TO A RISK OF FIRE, ELECTRIC SHOCK, OR INJURY TO PERSONS

The warnings and precautions discussed in this manual cannot cover all possible conditions and situations that may occur. It must be understood by the operator that common sense and caution are factors which cannot be built into this product, but must be supplied by the operator.

WARNING – When using tools, basic precautions should always be followed, including the following:

1. **Keep your work area clean and well lit.** Cluttered benches and dark areas invite accidents.
2. **Do not operate power tool in explosive atmospheres, such as in the presence of flammable liquids, gases, or dust.** Power tools create sparks which may ignite the dust or fumes.
3. **Keep bystanders, children, and visitors away while operating a tool.** Distractions can cause you to lose control. Protect others in the work area from spray and debris such as chips and sparks. Provide barriers or shields as needed.
4. **Grounded tools must be plugged into an outlet properly installed and grounded in accordance with all codes and ordinances. Never remove the grounding prong or modify the plug in any way. Do not use any adapter plugs. Check with a qualified electrician if you are in doubt whether the outlet is properly grounded.** If the tool should electrically malfunction or break down, grounding provides a low resistance path to carry electricity away from the user.
5. **Double insulated tools are equipped with a polarized plug (one blade is wider than the other). This plug will fit in a polarized outlet only one way. If the plug does not fit fully in the outlet, reverse the plug. If it still does not fit, contact a qualified electrician to install a polarized outlet. Do not change the plug in any way.** Double insulation eliminates the need for the three wire grounded power cord and grounded power supply system.
6. **Avoid body contact with grounded surfaces such as pipes, radiators, ranges, and refrigerators.** There is an increased risk of electric shock if your body is grounded.
7. **Do not expose power tools to rain or wet conditions.** Water entering a power tool will increase the risk of electric shock.
8. **Do not abuse the Power Cord. Never use the Power Cord to carry the tool or pull the Plug from an outlet. Keep the Power Cord away from heat, oil, sharp edges, or moving parts. Replace damaged Power Cords immediately.** Damaged Power Cords increase the risk of electric shock.
9. **When operating a power tool outside, use an outdoor extension cord marked “W-A” or “W”.** These extension cords are rated for outdoor use, and reduce the risk of electric shock.

NOTICE

Clean the Spray Gun IMMEDIATELY after EVERY use.
Delayed or inadequate cleaning will permanently clog the Spray Gun.
Latex paint hardens quickly and permanently inside Spray Gun.

Personal Safety

1. **Stay alert. Watch what you are doing, and use common sense when operating a tool. Do not use while tired or under the influence of drugs, alcohol, or medication.** A moment of inattention while operating power tools may result in serious personal injury or property damage.
2. **Dress properly. Do not wear loose clothing or jewelry. Contain long hair. Keep your hair, clothing, and gloves away from moving parts.** Loose clothes, jewelry, or long hair can be caught in moving parts.
3. **Avoid accidental starting. Be sure the Power Switch is off before plugging in.** Carrying power tools with your finger on the Power Switch, or plugging in power tools with the Power Switch on, invites accidents.
4. **Remove adjusting keys or wrenches before turning the power tool on.** A wrench or a key that is left attached to a rotating part of the power tool may result in personal injury.
5. **Do not overreach. Keep proper footing and balance at all times.** Proper footing and balance enables better control of the power tool in unexpected situations.
6. **Use safety equipment. Always wear eye protection.** Always wear ANSI approved safety glasses and a full face shield. A dust mask, nonskid safety shoes, hard hat, or hearing protection must be used for appropriate conditions.
7. **WARNING:** The brass components of this product contain lead, a chemical known to the State of California to cause cancer and birth defects or other reproductive harm. (California Health & Safety Code § 25249.5, *et seq.*)

Tool Use and Care

1. **Use clamps (not included) or other practical ways to secure and support the workpiece to a stable platform.** Holding the work by hand or against your body is unstable and may lead to loss of control.
2. **Do not force the tool. Use the correct tool for your application.** The correct tool will do the job better and safer at the rate for which it is designed.
3. **Do not use the tool if the Power Switch does not turn it on or off.** Any tool that cannot be controlled with the Power Switch is dangerous and must be replaced.
4. **Disconnect the Power Cord Plug from the power source before making any adjustments, changing accessories, or storing the tool.** Such preventive safety measures reduce the risk of starting the tool accidentally.
5. **Store idle tools out of reach of children and other untrained persons.** Tools are dangerous in the hands of untrained users.
6. **Maintain tools with care. Keep cutting tools maintained and clean.** Properly maintained tools are less likely to bind and are easier to control. Do not use a damaged tool. Tag damaged tools "Do not use" until repaired.
7. **Check for misalignment or binding of moving parts, breakage of parts, and any other condition that may affect the tool's operation. If damaged, have the tool serviced before using.** Many accidents are caused by poorly maintained tools.
8. **Use only accessories that are recommended by the manufacturer for your model.** Accessories that may be suitable for one tool may become hazardous when used on another tool.

NOTICE

**Clean the Spray Gun IMMEDIATELY after EVERY use.
Delayed or inadequate cleaning will permanently clog the Spray Gun.
Latex paint hardens quickly and permanently inside Spray Gun.**

Service

1. **Tool service must be performed only by qualified repair personnel.** Service or maintenance performed by unqualified personnel could result in a risk of injury.
2. **When servicing a tool, use only identical replacement parts.** Use of unauthorized parts or failure to follow maintenance instructions may create a risk of electric shock or injury.

Specific Safety Instructions

1. Do not direct spray at people or animals.
2. Do not exceed maximum air pressure.
3. Do not spray near open flames, pilot lights, stoves, heaters, the air compressor, or any other heat source. Most solvents and coatings are highly flammable, particularly when sprayed. Maintain a distance of at least 25 feet from the air compressor. If possible, locate the air compressor in a separate room.
4. Read all of the information concerning coating products and cleaning solvents. **Do not use chlorinated solvents (e.g. 1-1-1 trichloroethylene and dichloromethane, also known as methylene chloride) to clean spray guns. Many spray guns contain aluminum, which reacts strongly to chlorinated solvents.** Contact the solvent or coating manufacturer as needed regarding potential chemical reactions.
5. RISK OF INJECTION - Do not point spray gun at any person or any part of the body. In case of skin injection, seek medical attention immediately.
6. Industrial applications must follow OSHA requirements.
7. Spraying hazardous materials may result in serious injury or death. Do not spray pesticide, acid, corrosive material, fertilizer, or toxic chemicals.
8. Paints and solvents may be harmful or fatal if swallowed or inhaled. Avoid prolonged skin contact with solvents or paints as they will irritate skin. After any contact, immediately wash off exposed area with hot, soapy water.
9. Attach all accessories properly to the tool before connecting the air supply. A loose accessory may detach or break during operation.
10. Install an in-line shutoff valve to allow immediate control over the air supply in an emergency, even if a hose is ruptured.
11. Air hose fittings may get hot during use. Allow fittings to cool before disconnecting.
12. **WARNING:** Some dust created by power sanding, sawing, grinding, drilling, and other construction activities, contains chemicals known to the State of California to cause cancer and birth defects or other reproductive harm. Some examples of these chemicals are:
 - Lead from lead-based paints
 - Crystalline silica from bricks and cement or other masonry products
 - Arsenic and chromium from chemically treated lumberYour risk from these exposures varies, depending on how often you do this type of work. To reduce your exposure to these chemicals: work in a well ventilated area, and work with approved safety equipment, such as those dust masks that are specially designed to filter out microscopic particles. (California Health & Safety Code § 25249.5, *et seq.*)
13. **WARNING:** The brass components of this product contain lead, a chemical known to the State of California to cause cancer and birth defects or other reproductive harm. (California Health & Safety Code § 25249.5, *et seq.*)

NOTICE

Clean the Spray Gun IMMEDIATELY after EVERY use.
Delayed or inadequate cleaning will permanently clog the Spray Gun.
Latex paint hardens quickly and permanently inside Spray Gun.

Grounding

⚠ WARNING

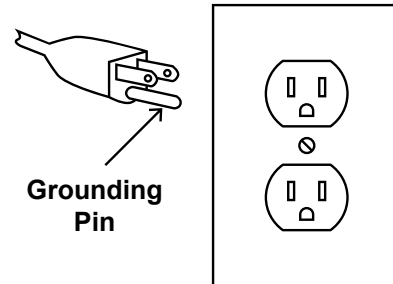


TO PREVENT ELECTRIC SHOCK AND DEATH FROM INCORRECT GROUNDING WIRE CONNECTION:

Check with a qualified electrician if you are in doubt as to whether the outlet is properly grounded. Do not modify the power cord plug provided with the compressor. Never remove the grounding prong from the plug. Do not use the compressor if the power cord or plug is damaged. If damaged, have it repaired by a service facility before use. If the plug will not fit the outlet, have a proper outlet installed by a qualified electrician.

110-120 VAC Grounded Compressors: Compressors with Three Prong Plugs

1. In the event of a malfunction or breakdown, grounding provides a path of least resistance for electric current to reduce the risk of electric shock. This compressor is equipped with an electric cord having an equipment-grounding conductor and a grounding plug. The plug must be plugged into a matching outlet that is properly installed and grounded in accordance with all local codes and ordinances.
2. Do not modify the plug provided – if it will not fit the outlet, have the proper outlet installed by a qualified electrician.
3. Improper connection of the equipment-grounding conductor can result in a risk of electric shock. The conductor with insulation having an outer surface that is green with or without yellow stripes is the equipment-grounding conductor. If repair or replacement of the electric cord or plug is necessary, do not connect the equipment-grounding conductor to a live terminal.
4. Check with a qualified electrician or service personnel if the grounding instructions are not completely understood, or if in doubt as to whether the compressor is properly grounded.
5. Use only 3-wire extension cords that have 3-prong grounding plugs and 3-pole receptacles that accept the compressor's plug.
6. Repair or replace damaged or worn cord immediately.



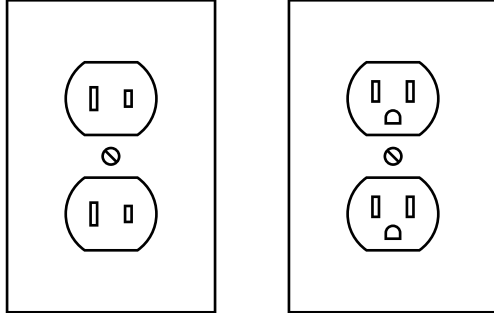
**125 VAC 3-Prong Plug and Outlet
(for up to 125 VAC and up to 15 A)**

7. This compressor is intended for use on a circuit that has an outlet that looks like the one illustrated above in **125 VAC 3-Prong Plug and Outlet**. The compressor has a grounding plug that looks like the plug illustrated above in **125 VAC 3-Prong Plug and Outlet**.
8. The outlet must be properly installed and grounded in accordance with all codes and ordinances.
9. Do not use an adapter to connect this compressor to a different outlet.

NOTICE

Clean the Spray Gun IMMEDIATELY after EVERY use.
Delayed or inadequate cleaning will permanently clog the Spray Gun.
Latex paint hardens quickly and permanently inside Spray Gun.


110-120 VAC Double Insulated Compressors: Compressors with Two Prong Plugs






Outlets for 2-Prong Plug

1. To reduce the risk of electric shock, double insulated equipment has a polarized plug (one blade is wider than the other). This plug will fit in a polarized outlet only one way. If the plug does not fit fully in the outlet, reverse the plug. If it still does not fit, contact a qualified electrician to install the proper outlet. Do not change the plug in any way.
2. Double insulated Compressors may be used in either of the 120 volt outlets shown in the preceding illustration. **(See Outlets for 2-Prong Plug.)**

Symbology

PSI	Pounds per square inch of pressure
CFM	Cubic Feet per Minute flow
SCFM	Cubic Feet per Minute flow at standard conditions
NPT	National pipe thread, tapered
NPS	National pipe thread, straight
	Double Insulated

	Canadian Standards Association
	Underwriters Laboratories, Inc.
V	Volts
	Alternating Current
A	Amperes

NOTICE

**Clean the Spray Gun IMMEDIATELY after EVERY use.
Delayed or inadequate cleaning will permanently clog the Spray Gun.
Latex paint hardens quickly and permanently inside Spray Gun.**

EXTENSION CORDS

1. ***Grounded*** tools require a three wire extension cord. ***Double Insulated*** tools can use either a two or three wire extension cord.
2. As the distance from the supply outlet increases, you must use a heavier gauge extension cord. Using extension cords with inadequately sized wire causes a serious drop in voltage, resulting in loss of power and possible tool damage. **(See Figure C, next page.)**
3. The smaller the gauge number of the wire, the greater the capacity of the cord. For example, a 14 gauge cord can carry a higher current than a 16 gauge cord. **(See Figure C.)**
4. When using more than one extension cord to make up the total length, make sure each cord contains at least the minimum wire size required. **(See Figure C.)**
5. If you are using one extension cord for more than one tool, add the nameplate amperes and use the sum to determine the required minimum cord size. **(See Figure C.)**
6. If you are using an extension cord outdoors, make sure it is marked with the suffix "W-A" ("W" in Canada) to indicate it is acceptable for outdoor use.
7. Make sure your extension cord is properly wired and in good electrical condition. Always replace a damaged extension cord or have it repaired by a qualified electrician before using it.
8. Protect your extension cords from sharp objects, excessive heat, and damp or wet areas.

Recommended Minimum Wire Gauge for 120 Volt Extension Cords*					
Nameplate Amperes (At Full Load)	Extension Cord Length				
	25 Feet	50 Feet	75 Feet	100 Feet	150 Feet
0 - 2.0	18	18	18	18	16
2.1 - 3.4	18	18	18	16	14
3.5 - 5.0	18	18	16	14	12
6.1 - 7.0	18	16	14	12	12
7.1 - 12.0	16	14	12	10	X
12.1 - 16.0	14	12	10	X	X
16.1 - 20.0	12	10	X	X	X

NOTICE

**Clean the Spray Gun IMMEDIATELY after EVERY use.
Delayed or inadequate cleaning will permanently clog the Spray Gun.
Latex paint hardens quickly and permanently inside Spray Gun.**

Preparing to Paint

Painting Tips

Successful spray painting is a skill which requires knowledge of your equipment, familiarity with your paint materials and experience. Differences in paints, work materials and environmental conditions make every painting task unique. For best results, practice with your painting mixture on a scrap piece before beginning to paint your work material.

It is critical that the surface be properly prepared before painting. It will be difficult to achieve a satisfactory painted surface if the original surface is dirty, rough or wet.

Properly mask your work surface from any adjacent areas you do not want to paint.

Use drop cloths or other covers to protect adjacent property from paint dust or overspray.

Paint Mixture

Each paint mixture will vary. You may use solvent or water based paints. Each of these causes a different paint viscosity, and has a different flow rate and drying time. High viscosity is thick, like syrup. Low viscosity is thin, like water.

The purpose of the solvent is to make the paint liquid so it can be applied. Once applied, the solvent evaporates, leaving the pigment and its binders in place. The solvent is also used as a clean up medium. Paint mixtures which are to be sprayed are generally less viscous (thinner) than mixtures which are to be applied with a brush. Thus you will most often have to add extra solvent to a paint which is to be sprayed.

When paint is sprayed, it is broken into tiny droplets, then blown by high-pressure air onto the surface. During this spraying process, the surface of each paint droplet will begin to dry. When it hits the work material, the droplet must liquefy again, and mix with the droplets hitting alongside it. Ideally, these droplets will mix evenly forming a smooth surface.

If the paint mixture is too thick, the droplets will not form a smooth layer, and the resulting surface can be described as “pebbly” or “orange peel”. If the paint mixture is too thin, the paint will run, forming long drips before they are thick enough to form a satisfactory coat. Vertical surfaces are more prone to “run” than horizontal surfaces due to the effect of gravity.

Applying the Paint

In most cases, it is best to move the paint spray from side to side, overlapping the previous paint. In this way you will gradually build up the paint layer without leaving any obvious edges.

To paint in this way, the spray pattern should be set to vertical.

It is important to prevent excess paint at the beginning and end of each stroke. Holding the sprayer away from the work piece, squeeze the trigger to start the spray. Then move the spray gun in to within 14-16 inches of the work piece. Move the sprayer smoothly across the work piece, keeping a consistent distance. At the end of each stroke, pull the sprayer away from the work piece as you release the trigger.

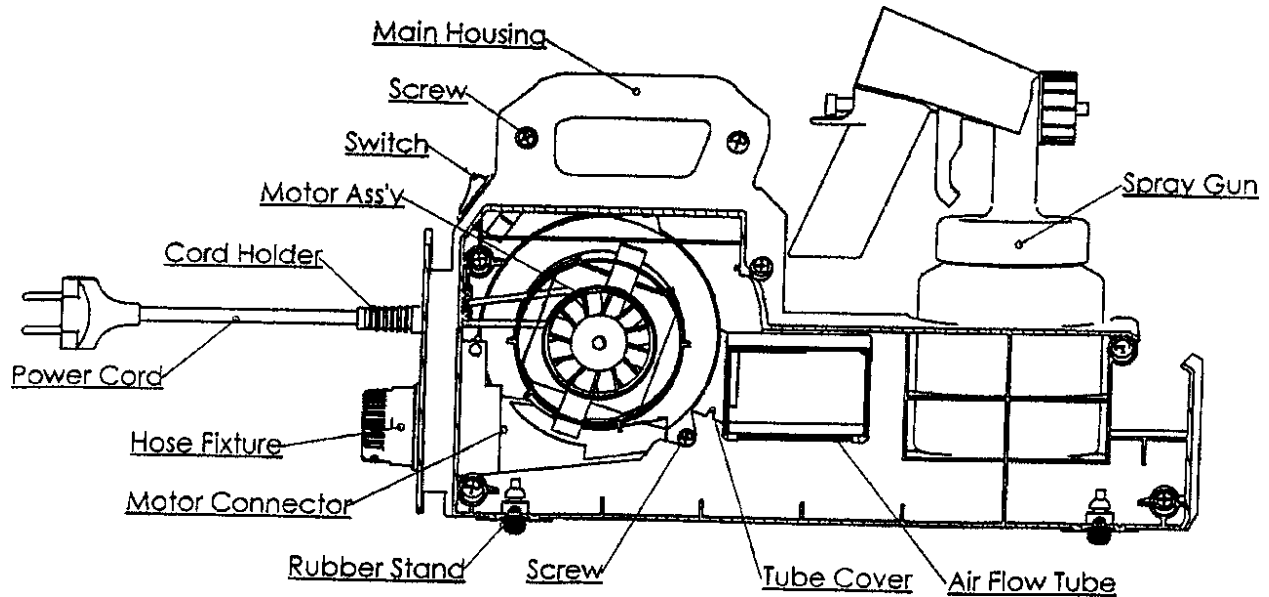
As you work, carefully observe the way the paint accumulates on the work surface. It is more important to maintain a good paint surface than to form an opaque (thick) paint coat. You can always apply a second coat to get the coverage you want. If the surface is ruined, however, you will have to start over with surface preparation.

If the surface does not smooth out in a few seconds after applying the paint, your paint mixture is probably too thick. Thin your paint slightly and test on a piece of scrap material. If the paint goes on very thin and threatens to run, stop spraying immediately. Add more paint to your mixture to thicken the paint. Test on a piece of scrap material before resuming work.

NOTICE

Clean the Spray Gun IMMEDIATELY after EVERY use.
Delayed or inadequate cleaning will permanently clog the Spray Gun.
Latex paint hardens quickly and permanently inside Spray Gun.

Operation



Fluid Tip Selection

The choice of Fluid Tip Set will vary according to the consistency of the fluid being sprayed. Consult paint manufacturer recommended spray tips and use Table A to select a Tip Set appropriate to the job.

Table A: Fluid Tip Set Suggestions

Moves Like	Consistency	Examples	Suggested Tip Sets in mm
Sugar Water, Simple Syrup	Light	Automotive Lacquers, Thin Woodworking, Clear Coats with a VOC of 3.5 or Higher	1.0-1.3
Room Temperature Pancake Syrup	Medium	Wood Standard Lacquers and Enamels, Clear Coats with a VOC of 2.1 or Lower, Primer Sealing Coats and Urethane	1.5-1.8

Note: Chart provided for reference only. Additional fluid tips sizes not included.

NOTICE

**Clean the Spray Gun IMMEDIATELY after EVERY use.
Delayed or inadequate cleaning will permanently clog the Spray Gun.
Latex paint hardens quickly and permanently inside Spray Gun.**

Sprayer Controls

To adjust the spray pattern, loosen the Lock Ring (9) by turning it counterclockwise, then rotate the Air Cap (8), then retighten the Lock Ring (9). For a vertical spray pattern, the “ears” of the Air Cap (8) should be horizontal. For a horizontal pattern, the “ears” should be vertical. In other words, the position of the Air Cap and the spray pattern are at a 90° offset from one another.

To control the amount of paint mixture being sprayed, adjust the Adjusting Screw (4). Turning the Knob clockwise will reduce the amount of paint, turning it counterclockwise will increase the amount of paint available.

CAUTION: Do not overtighten the Knob, as this will cut off the paint supply, and may damage the Fluid Tip/Needle (7).

To change the Fluid Tip and Needle (7): The Fluid Tip and Needle (7) must both be the same size. Check to make sure that they fit together properly before installation. Typically, a larger Tip/Needle would be required for thicker material.

1. **Make certain that the unit is shut off, disconnected from the power supply and clean before proceeding.**
2. Loosen and remove the Lock Ring (9), Air Cap (8), and Fluid Tip (7). Be careful not to allow any parts to fall out of the gun.
3. Remove the Fluid Adjusting Screw (4), along with the Spring (3) and Fluid Needle (7) underneath it. Insert the desired Fluid Needle (7), and reinsert the Spring (3) and the Fluid Adjusting Screw (4).
4. Assemble the matching Fluid Tip (7), Air Cap (8), and Lock Ring (9).
5. The sprayer controls will require readjustment after this procedure is complete. See page 9.

Basic Function Instructions

Refer to the diagram on page 9 for these instructions:

1. Attach the Hose to the Hose Fixture of the Main Housing, by pressing it in and turning to tighten.
2. Attach the Hose to the Spray Gun by inserting the Hose into the fitting, and turning it to tighten.
3. Thin the paint according to the manufacturer's instructions. Pour the paint mixture through a cheese cloth or paint strainer into the Spray Gun.
4. Press the Switch to the ON position.
5. Point the Spray Gun where desired, and squeeze the Spray Gun Trigger to begin painting.
6. Release the Spray Gun Trigger to stop painting.
7. Move the Switch on the Main Housing to the OFF position to turn off the compressor.

NOTICE

**Clean the Spray Gun IMMEDIATELY after EVERY use.
Delayed or inadequate cleaning will permanently clog the Spray Gun.
Latex paint hardens quickly and permanently inside Spray Gun.**

Maintenance

After each use, thoroughly clean the spray gun.

1. Empty the Cup of paint, and wipe it out with a clean rag.
2. Fill the Cup about half way with the solvent which is appropriate for the paint you have sprayed.
3. Spray the solvent into an appropriate receptacle for proper disposal. Continue to spray until paint in the interior of the Spray Gun is ejected and the solvent spray is clear.
4. Using a clean rag wetted with solvent, wipe off the Spray Gun to remove paint from the exterior.
5. Store your paint sprayer in a clean dry place out of the reach of children.
6. All servicing of the Electric Spray Gun Kit must be performed by a qualified service technician.

NOTE: Always clean your sprayer immediately after use to avoid having to disassemble the Needle Valve or Trigger assemblies. It is not recommended that you disassemble the paint sprayer.

NOTICE

**Clean the Spray Gun IMMEDIATELY after EVERY use.
Delayed or inadequate cleaning will permanently clog the Spray Gun.
Latex paint hardens quickly and permanently inside Spray Gun.**

PLEASE READ THE FOLLOWING CAREFULLY

THE MANUFACTURER AND/OR DISTRIBUTOR HAS PROVIDED THE PARTS LIST AND ASSEMBLY DIAGRAM IN THIS MANUAL AS A REFERENCE TOOL ONLY. NEITHER THE MANUFACTURER OR DISTRIBUTOR MAKES ANY REPRESENTATION OR WARRANTY OF ANY KIND TO THE BUYER THAT HE OR SHE IS QUALIFIED TO MAKE ANY REPAIRS TO THE PRODUCT, OR THAT HE OR SHE IS QUALIFIED TO REPLACE ANY PARTS OF THE PRODUCT. IN FACT, THE MANUFACTURER AND/OR DISTRIBUTOR EXPRESSLY STATES THAT ALL REPAIRS AND PARTS REPLACEMENTS SHOULD BE UNDERTAKEN BY CERTIFIED AND LICENSED TECHNICIANS, AND NOT BY THE BUYER. THE BUYER ASSUMES ALL RISK AND LIABILITY ARISING OUT OF HIS OR HER REPAIRS TO THE ORIGINAL PRODUCT OR REPLACEMENT PARTS THERETO, OR ARISING OUT OF HIS OR HER INSTALLATION OF REPLACEMENT PARTS THERETO.

Record Product's Serial Number Here: _____

Note: If product has no serial number, record month and year of purchase instead.

Note: Some parts are listed and shown for illustration purposes only, and are not available individually as replacement parts.

NOTICE

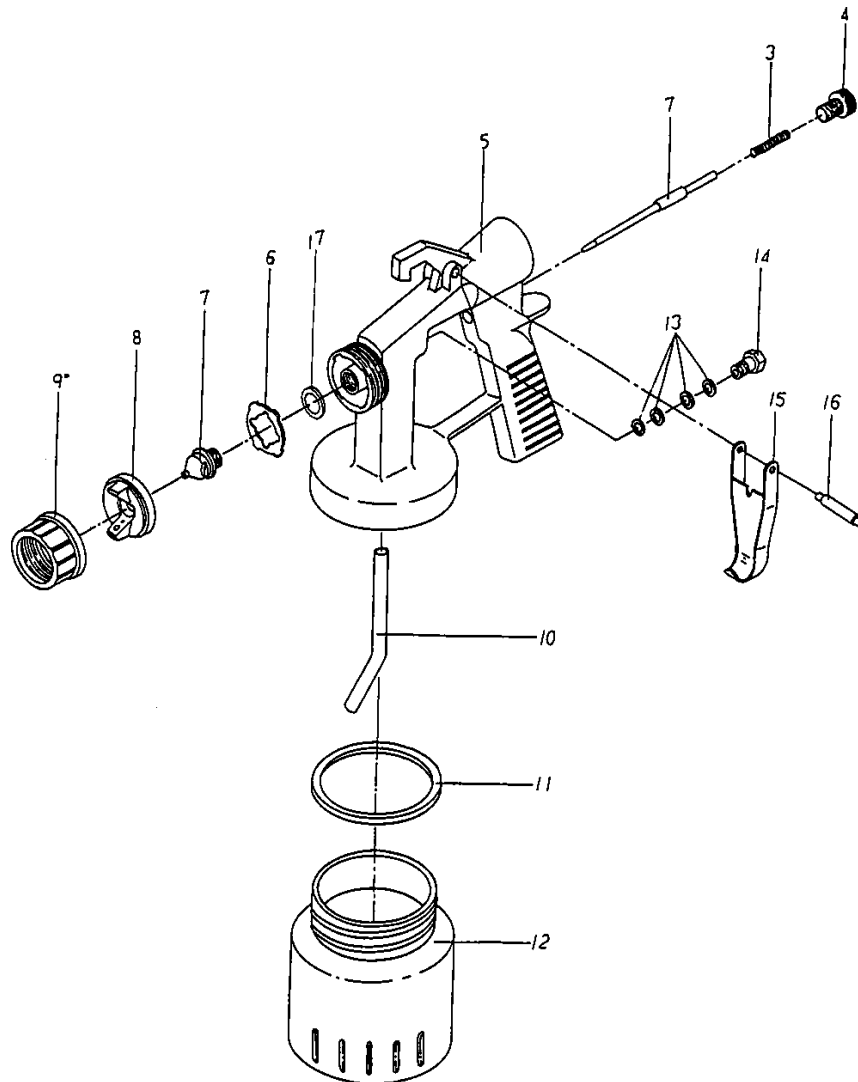
**Clean the Spray Gun IMMEDIATELY after EVERY use.
Delayed or inadequate cleaning will permanently clog the Spray Gun.
Latex paint hardens quickly and permanently inside Spray Gun.**

Parts List and Diagram

Parts List - Spray Gun

Part	Description	Qty
1	Rubber Guard	1
3	Spring	1
4	Fluid Adjusting Screw	1
5	Gun Body	1
6	Air Flow Mandril	1
7-1	Fluid Tip & Needle (1.0 mm)	1
7-2	Fluid Tip & Needle (1.5 mm)	1
7-3	Fluid Tip & Needle (1.8 mm)	1
8	Air Cap	1

Part	Description	Qty
9	Lock Ring	1
10	Fluid Tube	1
11	Cup Gasket	1
12	Cup	1
13	Fluid Needle Packing	1
14	Needle Packing Screw	1
15	Trigger	1
16	Trigger Pin	1
17	Nozzle Washer	1



NOTICE

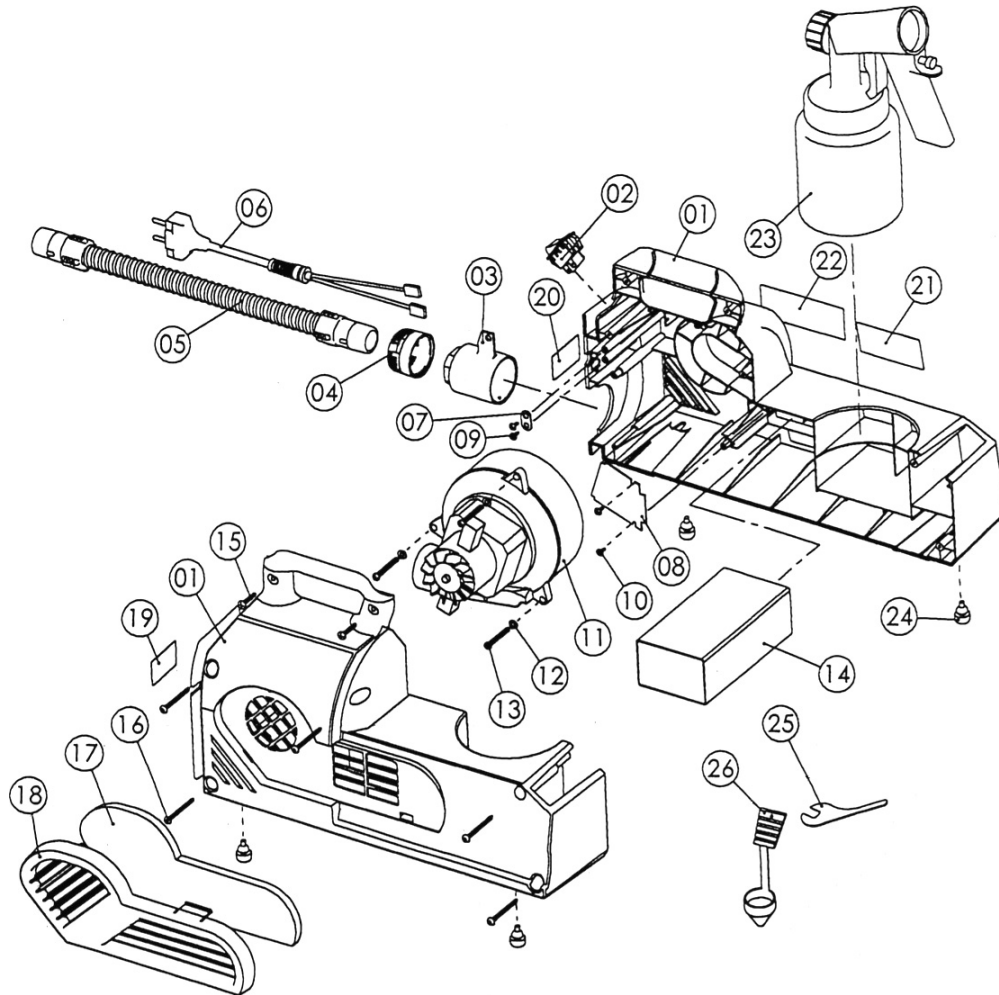
**Clean the Spray Gun IMMEDIATELY after EVERY use.
 Delayed or inadequate cleaning will permanently clog the Spray Gun.
 Latex paint hardens quickly and permanently inside Spray Gun.**

Parts List - Compressor

Part	Description	Qty
1a	Main Housing (Left and Right)	1
2a	Switch	1
3a	Motor Connector	1
4a	Hose Fixture	1
5a	Hose	1
6a	Power Cord	1
7a	Tube Cover A	1
8a	Tube Cover B	1
9a	Screw	2
10a	Screw	2
11a	Motor	1
12a	Washer	3
13a	Screw	3
14a	Air Flow Tube	1

Part	Description	Qty
15a	Screw	2
16a	Housing Screw	5
17a	Filter	1
18a	Filter Cover	1
19a	Pointing Label	1
20a	Hose Connector Pointing Label	1
21a	Warning Label	1
22a	Main Label	1
23a	Spray Gun Set (Plastic Tank)	1
23-1a	Spray Gun Set (Aluminum Tank)	1
24a	Rubber Stand	4
25a	Wrench 10mm	1
26a	Viscosity Cup	1

Note: When ordering parts for the Compressor, be sure to include the suffix "a" after the part number.



Limited 90 Day Warranty

Harbor Freight Tools Co. makes every effort to assure that its products meet high quality and durability standards, and warrants to the original purchaser that this product is free from defects in materials and workmanship for the period of 90 days from the date of purchase. This warranty does not apply to damage due directly or indirectly, to misuse, abuse, negligence or accidents, repairs or alterations outside our facilities, criminal activity, improper installation, normal wear and tear, or to lack of maintenance. We shall in no event be liable for death, injuries to persons or property, or for incidental, contingent, special or consequential damages arising from the use of our product. Some states do not allow the exclusion or limitation of incidental or consequential damages, so the above limitation of exclusion may not apply to you. THIS WARRANTY IS EXPRESSLY IN LIEU OF ALL OTHER WARRANTIES, EXPRESS OR IMPLIED, INCLUDING THE WARRANTIES OF MERCHANTABILITY AND FITNESS.

To take advantage of this warranty, the product or part must be returned to us with transportation charges prepaid. Proof of purchase date and an explanation of the complaint must accompany the merchandise. If our inspection verifies the defect, we will either repair or replace the product at our election or we may elect to refund the purchase price if we cannot readily and quickly provide you with a replacement. We will return repaired products at our expense, but if we determine there is no defect, or that the defect resulted from causes not within the scope of our warranty, then you must bear the cost of returning the product.

This warranty gives you specific legal rights and you may also have other rights which vary from state to state.

CHICAGO  ELECTRIC®
POWER TOOLS

3491 Mission Oaks Blvd. • PO Box 6009 • Camarillo, CA 93011 • 1-888-866-5797