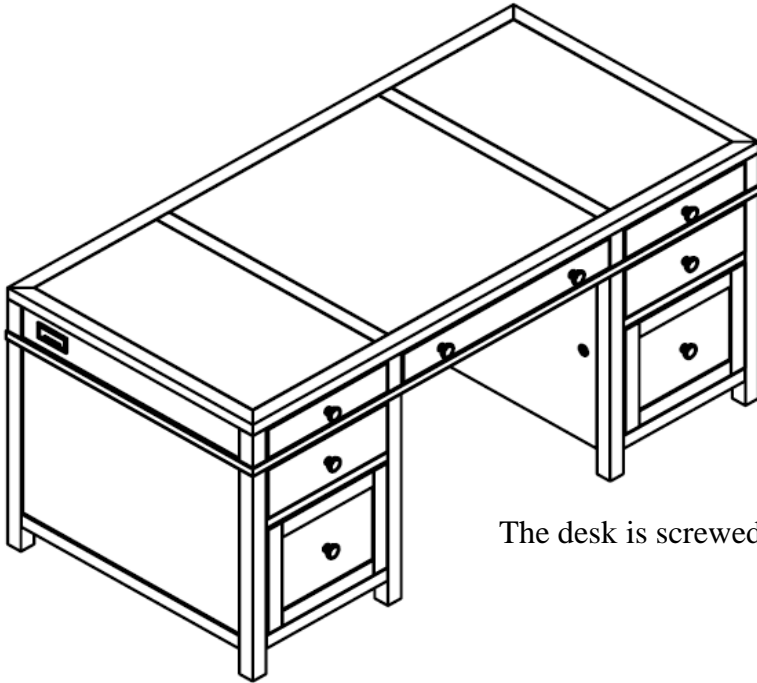


ASSEMBLY INSTRUCTION

5078-10562 Executive Desk 66in

Thank you for purchasing this quality product. Be sure to unpack carefully looking for small parts which may have come loose during shipment.

Read all instruction and study the drawing carefully before starting the assembly process.



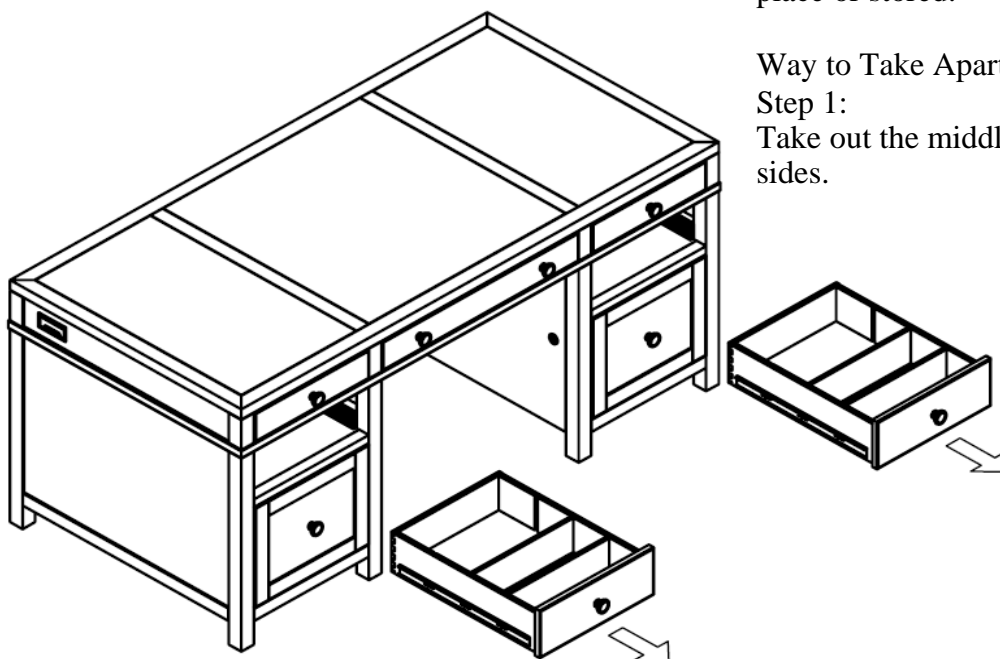
The desk is screwed to avoid damage during transit.

The desk can be taken apart into 4 pcs in order to easily moved to desired place or stored.

Way to Take Apart & Restore

Step 1:

Take out the middle drawers at two sides.

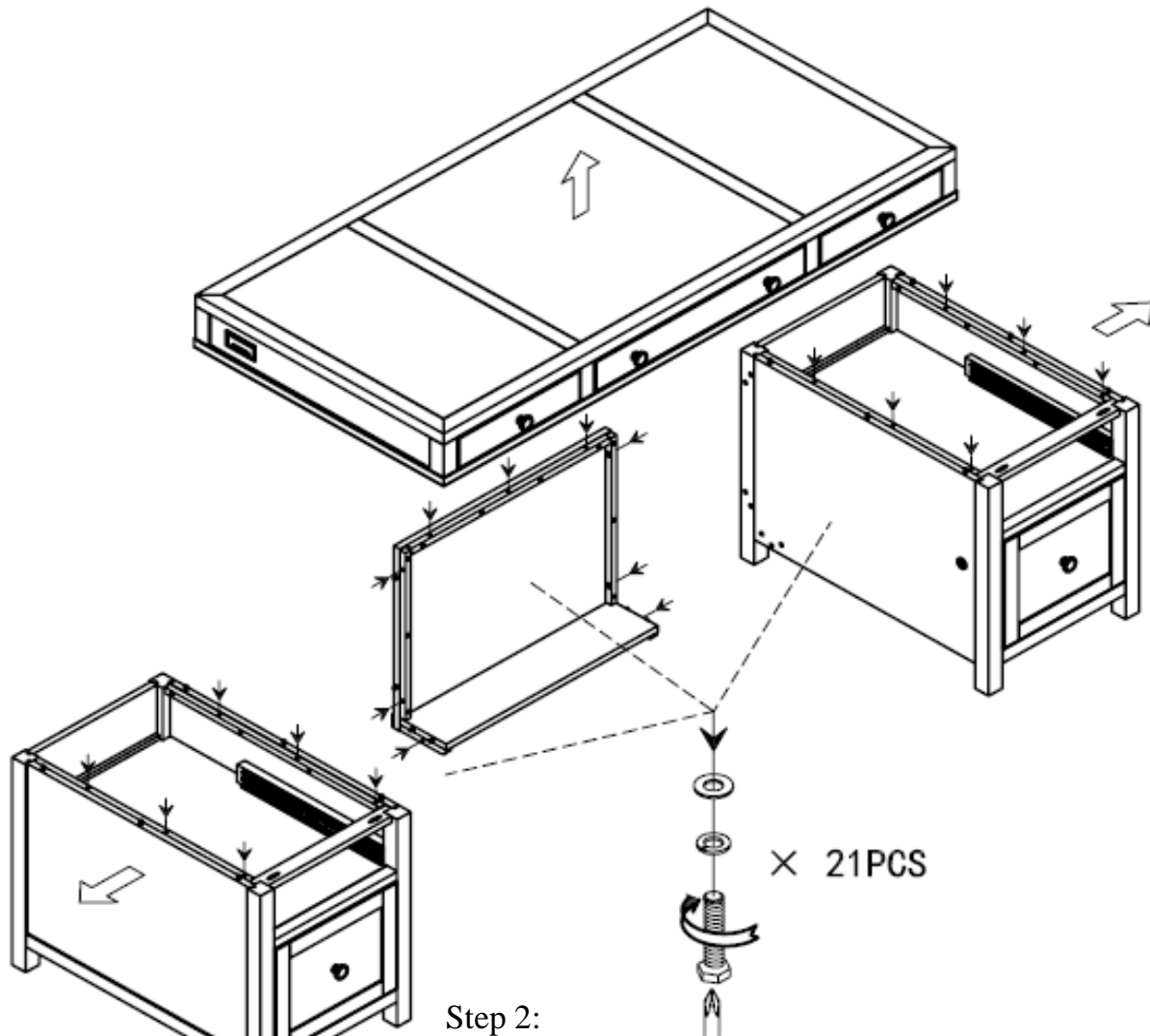


ASSEMBLY INSTRUCTION

5078-10562 Executive Desk 66in

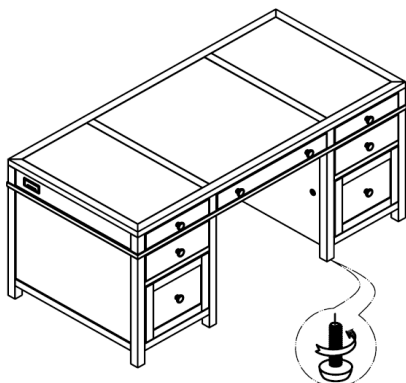
Thank you for purchasing this quality product. Be sure to unpack carefully looking for small parts which may have come loose during shipment.

Read all instruction and study the drawing carefully before starting the assembly process.



Step 2:
Use screwdriver to unscrew pointed 21 bolts.
There will be 4 parts after unscrewed

After placing the desk at the desired place, restore the 21 bolts at the original place.



Step 3:
Adjust levelers if needed to level desk on uneven floor.