



**SILENT  
KNIGHT**

# COMMERCIAL FIRE EQUIPMENT

## Model 5128 and Model 5129 4 Channel Slave Fire Communicator

### FEATURES

- UL 864 listed for NFPA 71 and 72C
- UL listed as slave communicator for connection to UL listed 24 VDC local fire alarm control panels
- Four fully supervised input channels
- Remote programming (up/downloading)
- Dual phone line interface and line fault monitors
- Automatic 24 hour test
- Reports in most major communication formats
- Compact size allows mounting in most local controls, also available in metal cabinet (Model 5129)

### DESCRIPTION

The Silent Knight Model 5128 is a four channel "slave" digital communicator designed to monitor UL listed local fire alarm systems. The Model 5128 is a cost effective answer to most fire communicator applications and is easy to install and service.

#### Telephone Interface

The Model 5128 monitors and reports via two separate phone lines. Built-in line fault monitors and a ring detector are provided.

#### AC Monitoring

An electrically isolated AC monitoring input is provided. The input monitors the main power input of the local fire control panel. The Model 5128 can be programmed to report AC trouble immediately or report can be delayed from 6 to 12 hours.

#### Power Input

The Model 5128 communicator has been designed to be powered from a UL-listed 24 VDC fire alarm control panel.

#### Channel Inputs

The Model 5128 communicator has four channel inputs. The installer can configure the inputs as either a voltage input, active high or low, or a contact closure input. The inputs can be wired as either



supervised or non-supervised. If supervision is desired, optional end of line resistors must be purchased.

The input channel types are preset. Their descriptions are programmable as follows:

Channel	Type	Default	Options
1	ALARM	FIRE	SPRINKLER
2	TROUBLE	FIRE	SPRINKLER
3	SUPERVISORY	SPRINKLER	FIRE
4	ALARM	UNDEFINED	_____

#### Audible Alarm

An on-board non-silencing audible alarm is provided.

#### Programming/Downloading

The unit is programmable with a 5230 fire annunciator. A connector for connection of 5230 can be ordered for programming and status indication.

Downloading will allow remote programming, interrogation of current status and the ability to change the 24 hour test time. A ring detector for one-call downloading is provided.

#### Test Functions

The Model 5128 communicator incorporates a watchdog circuit on the microprocessor. A power-up self-test will check the system. A 24 hour auto dialer test can be programmed to a precise time so installers can send the test to the central station at a time of their choosing.

## Relay Output

A single form C relay output rated at 1A is provided. The relay is programmable to activate alarm or system trouble conditions.

## Connections

Phone line and relay output connections are made via screw terminals. Color coded flying leads are provided for the connections on the control end.

# SPECIFICATIONS

## Electrical Specifications:

Input: 24 VDC from a UL Listed Fire Control Panel  
Total DC Load: Standby: 84 mA maximum at 24 VDC  
Alarm: 154 mA maximum at 24VDC  
AC Monitor Input: AC Trouble output from host panel or direct connection to AC line voltage

## Indicator Lights (LEDs):

Green power LED  
Red LED for phone line 1 trouble  
Red LED for phone line 2 trouble  
Yellow LED for faulted input and system trouble

## Reporting Formats:

Communicates via SK 3/1, SESCOA 3/1, SK 4/2, SK FSK (4/2), Radionics BFSK and SIA formats.

## Telephone Requirement:

FCC Registration No. AC6USA-75160-AL-E  
Ringer Equivalence: 0.9B  
Type of Jack: RJ31X (2 required)

## Mechanical Specifications:

### Model 5128

Dimensions: 8-3/4 inches H x 4 inches W x 1-1/4 inches D  
Enclosure: Vinyl/Acrylic that meets UL 94VØ  
Color: Black  
Weight: 2 pounds

### Model 5129

Dimensions: 10-3/8 in. H x 10-1/8 in. W x 3 in. D  
Enclosure: sheet metal cabinet  
Color: Red  
Weight: 6 pounds

## Approvals:

UL Listed — UL 864, NFPA 71, 72C  
California State Fire Marshal  
MEA Approved

## Accessories:

### Model 7860 Modular Telephone Cable

Used to connect communicator to RJ-31X phone jack (2 required.)

### Model 7628 End of Line Resistor

Four required if supervision is desired.

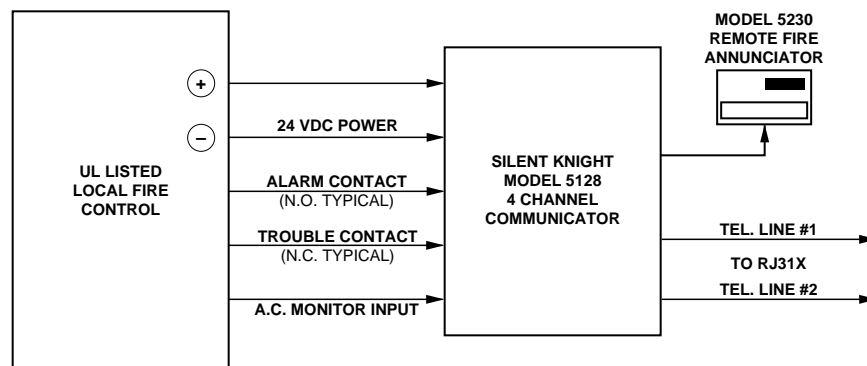
### Model 5230K Remote Fire Annunciator Kit

Touchpad allows programming and status indication. Includes cable for connection to 5129 or 5129.

### Model 5561 Modem & Download Software Package

Includes proprietary modem required for downloading and downloading software for 5128/29 and other Silent Knight fire products.

## TYPICAL BLOCK DIAGRAM — MODEL 5128



**SILENT  
KNIGHT**

7550 Meridian Circle, Maple Grove, MN 55369-4927  
1-800-446-6444 or in Minnesota (612) 493-6435  
Fax: (612) 493-6475

THE QUALITY EDGE

**MADE IN  
AMERICA**

Form No. 150780 (Rev C3/94)