

TECHNICAL DATA SHEET



The Spencer Turbine Company introduced the first hermetically sealed multistage natural gas boosters in 1975. The company continues to lead the industry with a range of designs using Spencer's standard overhung blowers and multiple, spark-resistant aluminum alloy impellers mounted directly on heavy-duty extended motor shafts.

Spencer's Low Capacity Series UL Listed Natural Gas Booster is a single-stage design. Installations can boost pressure levels by 9 inches WC, with volumes to 12,000 ICFH. Spencer's simple direct drive and generous internal clearances provide for long-term reliability and quiet operation — well within OSHA limits. The unique leaktight hermetic design also provides a continuous flow of natural gas around the explosion-proof motor, cooling the motor and extending its life.

In addition, Spencer offers the GasCube™ series, an easy-to-install natural gas booster skid package. It is pre-engineered, prepiped and has a compact footprint. The GasCube package is also available in organized modules for on-site assembly. Spencer's complete line of hermetic, single and multistage, low and high-pressure gas boosters — including the GasCube skid package — undergo standard commercial tests at the factory for leaks as well as for power input, volume and pressure.

For information on Spencer's High Capacity Series UL Listed Natural Gas Boosters, refer to Bulletin TDS-512 and for information on the GasCube Series, refer to Bulletin No. 515.

Product Features

Hermetically Sealed – UL Listed

Single stage centrifugal design

Volume to 12,000 ICFH

ΔP to 9" WC

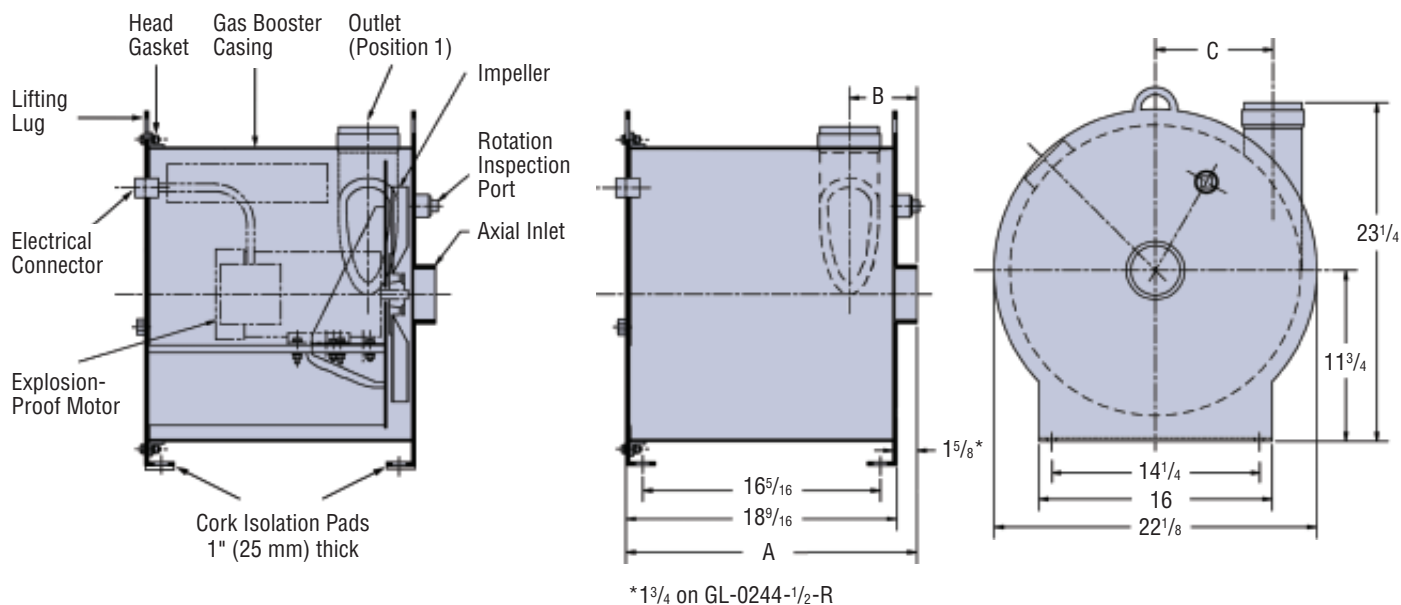
Explosion-proof motor – UL Listed

Performance Data

Catalog Number	Inlet Outlet	Motor Hp	GAS @ .6 Sp.Gr	
			Volume ICFH	Pressure IN WC
GL-0231-1/2-R	3 Thd	1/2	9000	6.4
GL-0244-1/2-R	4 Thd	1/2	12000	6.75
GL-0325-1/2-R	3 Thd	1/2	5400	9

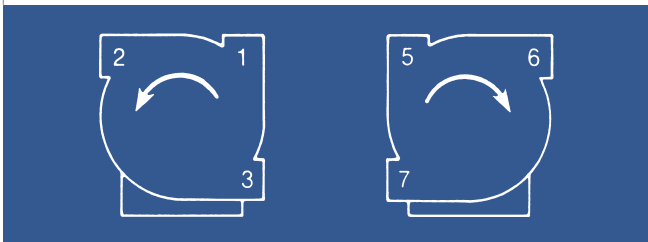
► **Notes:** Ratings based on inlet gas at standard pressure of 14.7 PSIA, temperature 70°F, 0.6 specific gravity natural gas and 1.0 specific gravity air for UL Listing. Allowable maximum inlet to UL standards is 15.2 PSIA or 13" WC and nominal 70°F.

Gas Boosters include standard shaft, 115/230V, 1Ph or 208/230/460V, 3Ph, 60Hz, 3500 RPM, class 1, group D, UL Listed, explosion-proof motor with thermal overload protection and junction box.



Outlet Position:

Available outlet position as viewed from the outlet end of the machine. Specify position on order.



Notes:

1. No special equipment foundation is necessary, but a level concrete floor or block is recommended. Simply rest machine on cork pads furnished; do not use anchor bolts. Flexible piping connections are recommended.
2. Outlet position must be specified when the gas booster is ordered.
3. All dimensions are for reference only unless certified.
4. All units have thermal overload protection in motor and must be connected according to NEC and local codes.

Catalog Number	A	B	C
GL-0231-1/2-R	19 ¹⁵ / ₁₆	4 ⁵ / ₈	8 ¹ / ₁₆
GL-0244-1/2-R	20 ¹ / ₁₆	4 ³ / ₄	7 ⁹ / ₁₆
GL-0325-1/2-R	19 ¹⁵ / ₁₆	4 ⁵ / ₈	8 ¹ / ₁₆

For Customer Approval Certified Correct

Date: _____

Signed: _____

Customer Name: _____

Customer Order No.: _____

Project Name: _____

Sales Order No.: _____

Spencer may make improvements and dimensional changes to equipment designs based on market trends and requirements.

For product selection assistance, please email marketing@spencer-air.com or visit our website at www.spencerturbine.com to locate the Spencer representative in your area.

The Spencer Turbine Company, 600 Day Hill Road, Windsor, CT 06095-4706

Blowers & Vacuum Systems with an Engineering Edge

TEL 800-232-4321 ♦ 860-688-8361 ♦ FAX 860-688-0098 ♦ www.spencerturbine.com

