



**Field Charger/Power Supply**  
**FCPS-24FS6**  
**FCPS-24FS8**

# Fire Alarm System Limitations

**An automatic fire alarm system**—typically made up of smoke detectors, heat detectors, manual pull stations, audible warning devices, and a fire alarm control with remote notification capability—can provide early warning of a developing fire. Such a system, however, does not assure protection against property damage or loss of life resulting from a fire.

The Manufacturer recommends that smoke and/or heat detectors be located throughout a protected premise following the recommendations of the current edition of the National Fire Protection Association Standard 72 (NFPA 72), manufacturer's recommendations, State and local codes, and the recommendations contained in the Guide for Proper Use of System Smoke Detectors, which is made available at no charge to all installing dealers. A study by the Federal Emergency Management Agency (an agency of the United States government) indicated that smoke detectors may not go off in as many as 35% of all fires. While fire alarm systems are designed to provide early warning against fire, they do not guarantee warning or protection against fire. A fire alarm system may not provide timely or adequate warning, or simply may not function, for a variety of reasons:

**Smoke detectors** may not sense fire where smoke cannot reach the detectors such as in chimneys, in or behind walls, on roofs, or on the other side of closed doors. Smoke detectors also may not sense a fire on another level or floor of a building. A second-floor detector, for example, may not sense a first-floor or basement fire.

**Particles of combustion or "smoke"** from a developing fire may not reach the sensing chambers of smoke detectors because:

- Barriers such as closed or partially closed doors, walls, or chimneys may inhibit particle or smoke flow.
- Smoke particles may become "cold," stratify, and not reach the ceiling or upper walls where detectors are located.
- Smoke particles may be blown away from detectors by air outlets.
- Smoke particles may be drawn into air returns before reaching the detector.

The amount of "smoke" present may be insufficient to alarm smoke detectors. Smoke detectors are designed to alarm at various levels of smoke density. If such density levels are not created by a developing fire at the location of detectors, the detectors will not go into alarm.

Smoke detectors, even when working properly, have sensing limitations. Detectors that have photoelectronic sensing chambers tend to detect smoldering fires better than flaming fires, which have little visible smoke. Detectors that have ionizing-type sensing chambers tend to detect fast-flaming fires better than smoldering fires. Because fires develop in different ways and are often unpredictable in their growth, neither type of detector is necessarily best and a given type of detector may not provide adequate warning of a fire.

Smoke detectors cannot be expected to provide adequate warning of fires caused by arson, children playing with matches (especially in bedrooms), smoking in bed, and violent explosions (caused by escaping gas, improper storage of flammable materials, etc.).

*While a fire alarm system may lower insurance rates, it is not a substitute for fire insurance!*

Heat detectors do not sense particles of combustion and alarm only when heat on their sensors increases at a predetermined rate or reaches a predetermined level. Rate-of-rise heat detectors may be subject to reduced sensitivity over time. For this reason, the rate-of-rise feature of each detector should be tested at least once per year by a qualified fire protection specialist. *Heat detectors are designed to protect property, not life.*

**IMPORTANT! Smoke detectors must be installed in the same room as the control panel and in rooms used by the system for the connection of alarm transmission wiring, communications, signaling, and/or power.** If detectors are not so located, a developing fire may damage the alarm system, crippling its ability to report a fire.

**Audible warning devices** such as bells may not alert people if these devices are located on the other side of closed or partly open doors or are located on another floor of a building. Any warning device may fail to alert people with a disability or those who have recently consumed drugs, alcohol or medication. Please note that:

- Strobes can, under certain circumstances, cause seizures in people with conditions such as epilepsy.
- Studies have shown that certain people, even when they hear a fire alarm signal, do not respond or comprehend the meaning of the signal. It is the property owner's responsibility to conduct fire drills and other training exercise to make people aware of fire alarm signals and instruct them on the proper reaction to alarm signals.
- In rare instances, the sounding of a warning device can cause temporary or permanent hearing loss.

**A fire alarm system** will not operate without any electrical power. If AC power fails, the system will operate from standby batteries only for a specified time and only if the batteries have been properly maintained and replaced regularly.

**Equipment used in the system** may not be technically compatible with the control. It is essential to use only equipment listed for service with your control panel.

**Telephone lines** needed to transmit alarm signals from a premise to a central monitoring station may be out of service or temporarily disabled. For added protection against telephone line failure, backup radio transmission systems are recommended.

**The most common cause** of fire alarm malfunction is inadequate maintenance. To keep the entire fire alarm system in excellent working order, ongoing maintenance is required per the manufacturer's recommendations, and UL and NFPA standards. At a minimum, the requirements of Chapter 7 of NFPA 72 shall be followed. Environments with large amounts of dust, dirt or high air velocity require more frequent maintenance. A maintenance agreement should be arranged through the local manufacturer's representative. Maintenance should be scheduled monthly or as required by National and/or local fire codes and should be performed by authorized professional fire alarm installers only. Adequate written records of all inspections should be kept.

# Installation Precautions

**WARNING** - Several different sources of power can be connected to the fire alarm control panel. Disconnect all sources of power before servicing. Control unit and associated equipment may be damaged by removing and/or inserting cards, modules, or interconnecting cables while the unit is energized. Do not attempt to install, service, or operate this unit until this manual is read and understood.

**CAUTION** - *System Reacceptance Test after Software Changes*. To ensure proper system operation, this product must be tested in accordance with NFPA 72 Chapter 7 after any programming operation or change in site-specific software. Reacceptance testing is required after any change, addition or deletion of system components, or after any modification, repair or adjustment to system hardware or wiring.

All components, circuits, system operations, or software functions known to be affected by a change must be 100% tested. In addition, to ensure that other operations are not inadvertently affected, at least 10% of initiating devices that are not directly affected by the change, up to a maximum of 50 devices, must also be tested and proper system operation verified.

**This system** meets NFPA requirements for operation at 0-49° C/32-120° F and at a relative humidity of 85% RH (non-condensing) at 30° C/86° F. However, the useful life of the system's standby batteries and the electronic components may be adversely affected by extreme temperature ranges and humidity. Therefore, it is recommended that this system and all peripherals be installed in an environment with a nominal room temperature of 15-27° C/60-80° F.

**Verify that wire sizes are adequate** for all initiating and indicating device loops. Most devices cannot tolerate more than a 10% I.R. drop from the specified device voltage.

*Adherence to the following will aid in problem-free installation with long-term reliability:*

**Like all solid state electronic devices**, this system may operate erratically or can be damaged when subjected to lightning-induced transients. Although no system is completely immune from lightning transients and interferences, proper grounding will reduce susceptibility. *Overhead or outside aerial wiring is not recommended, due to an increased susceptibility to nearby lightning strikes.* Consult with the Technical Services Department if any problems are anticipated or encountered.

**Disconnect AC power and batteries** prior to removing or inserting circuit boards. Failure to do so can damage circuits.

**Remove all electronic assemblies** prior to any drilling, filing, reaming, or punching of the enclosure. When possible, make all cable entries from the sides or rear. Before making modifications, verify that they will not interfere with battery, transformer, and printed circuit board location.

**Do not tighten screw terminals** more than 9 in-lbs. Over-tightening may damage threads, resulting in reduced terminal contact pressure and difficulty with screw terminal removal.

**Though designed to last many years**, system components can fail at any time. This system contains static-sensitive components. Always ground yourself with a proper wrist strap before handling any circuits so that static charges are removed from the body. Use static-suppressive packaging to protect electronic assemblies removed from the unit.

**Follow the instructions** in the installation, operating, and programming manuals. These instructions must be followed to avoid damage to the control panel and associated equipment. FACP operation and reliability depend upon proper installation by authorized personnel.

## FCC Warning

**WARNING:** This equipment generates, uses, and can radiate radio frequency energy and if not installed and used in accordance with the instruction manual, may cause interference to radio communications. It has been tested and found to comply with the limits for class A computing device pursuant to Subpart B of Part 15 of FCC Rules, which is designed to provide reasonable protection against such interference when operated in a commercial environment. Operation of this equipment in a residential area is likely to cause interference, in which case the user will be required to correct the interference at his own expense.

### Canadian Requirements

This digital apparatus does not exceed the Class A limits for radiation noise emissions from digital apparatus set out in the Radio Interference Regulations of the Canadian Department of Communications.

Le présent appareil numérique n'émet pas de bruits radioélectriques dépassant les limites applicables aux appareils numériques de la classe A prescrites dans le Règlement sur le brouillage radioélectrique édicté par le ministère des Communications du Canada.

# *Table of Contents*

<b>SECTION 1: System Overview .....</b>	<b>6</b>
1.1: General .....	6
1.2: Features.....	6
1.3: Start-up Procedure.....	7
1.4: Jumpers.....	8
1.4.1: Jumper JP1 - Ground Fault Detection.....	8
1.4.2: Jumpers JP2 and JP3: Coded/Noncoded Input Selection.....	8
1.5: LED Indicators .....	8
1.6: Specifications .....	9
1.7: General .....	11
<b>SECTION 2: Installation .....</b>	<b>12</b>
2.1: Backbox Mounting.....	12
2.2: NAC Circuit Wiring .....	14
2.2.1: Style Y (Class B).....	14
2.2.2: ZNAC-4 Class A Option Module.....	14
2.3: Addressable Module Mounting .....	15
2.4: NEC Power-limited Wiring Requirements.....	16
<b>SECTION 3: Programming Options .....</b>	<b>17</b>
3.1: DIP Switch Settings.....	18
3.2: Programmable Features Description .....	19
3.2.1: Synchronization Type Selection.....	19
3.2.2: Synchronization Mode - Master/Slave .....	19
3.2.3: AC Fail Delay.....	19
3.2.4: Input/Output Function .....	20
3.2.4.1 Auxiliary Power Control .....	20
3.2.5: Charger Enable/Disable.....	21
3.2.6: Door Closers.....	21
<b>SECTION 4: Trouble Supervision .....</b>	<b>22</b>
4.1: Supervision via FACP Notification Appliance Circuit.....	22
4.1.1: Supervision of FACP to FCPS wiring.....	22
4.1.2: Supervision of FCPS-24FS Faults.....	22
4.1.3: Trouble Relay .....	23
4.2: AC Loss Reporting Delay .....	23
<b>SECTION 5: Applications .....</b>	<b>24</b>
5.1: Controlling Four NACs With One Input and Selective Silence.....	24
5.2: Controlling Three NACs and One Door Holder With One Input.....	26
5.3: Split Temporal Mode of Operation.....	28
5.4: Remote Supply With Resettable and Nonresettable Power.....	30
5.5: Door Release Service For All Four Outputs.....	32
5.6: Multiple Synchronized FCPS-24FS Power Supplies .....	33
5.7: Multiple Cascaded & Synchronized FCPS-24FS Power Supplies.....	34
5.8: Cascaded FCPS-24FS Supplies from Nonsynchronized Source.....	35
<b>SECTION 6: Power Supply Requirements .....</b>	<b>36</b>
6.1: Overview .....	36
6.2: Calculating the AC Branch Circuit.....	36
6.3: Calculating the System Current Draw .....	37
6.3.1: Overview .....	37
6.3.2: How to Calculate System Current Draw .....	37
6.4: Calculating the Battery Size .....	39
6.4.1: NFPA Battery Requirements .....	39
6.4.2: Selecting and Locating Batteries.....	39

It is imperative that the installer understand the requirements of the Authority Having Jurisdiction (AHJ) and be familiar with the standards set forth by the following regulatory agencies:

- Underwriters Laboratories Standards
- NFPA 72 National Fire Alarm Code

**Before proceeding, the installer should be familiar with the following documents.**



**NFPA Standards**

NFPA 72 National Fire Alarm Code  
NFPA 70 National Electrical Code



**Underwriters Laboratories Documents:**

UL 464 Audible Signaling Appliances  
UL 864 Standard for Control Units for Fire Protective Signaling Systems  
UL 1638 Visual Signaling Appliances  
UL 1971 Signaling Devices for Hearing Impaired

**Other:**

NEC Article 250 Grounding  
NEC Article 300 Wiring Methods  
NEC Article 760 Fire Protective Signaling Systems  
Applicable Local and State Building Codes  
Requirements of the Local Authority Having Jurisdiction (LAHJ)

**Other Fire•Lite Documents:**

Device Compatibility Document      Document #15384

## SECTION 1 System Overview

The FCPS-24FS6 is a 6 amp power supply and the FCPS-24FS8 is an 8 amp power supply. Each FCPS-24FS power supply is a compact, cost-effective, remote power supply and battery charger which provides ADA compatible strobe synchronization. The remote power supplies consist of a filtered 24 VDC output that can be configured to drive four Style Y (Class B) NACs (Notification Appliance Circuits). The four circuits can be configured for Style Z (Class A) with the optional ZNAC-4 Class A converter module. Alternatively, the four output circuits may be configured as 24 VDC resettable or nonresettable power outputs. The input circuits, which control the power supply operation, are triggered by the reverse polarity of an NAC or by a 12 VDC or 24 VDC power source. The power supplies are compatible with 12 VDC and 24 VDC control panels.

### 1.1 General

The FCPS-24FS power supplies can be used as remotely mounted power supplies and battery chargers to power four noncoded or coded NACs. The Main FACP (Fire Alarm Control Panel) NAC(s) is connected to the remote power supply input circuit(s). When the control input circuit activates due to reverse polarity of the NAC from the FACP, the power supply will activate its Notification Appliance Circuits.

During the inactive or nonalarm state, the power supply supervises its NAC field wiring for short and open conditions. AC fail, battery, charger and ground fault troubles will also be monitored by the power supply. If an NAC or power supply fault is detected, the power supply Normally-Closed Trouble contact will open.

If an alarm condition occurs and the NAC is activated, the supervision is disabled and the Notification Appliance Circuit is no longer supervised. Supervision of other power supply faults such as low battery, AC loss, ground fault and battery charger trouble will continue and may be monitored via the Trouble relay contacts.

### 1.2 Features

- Self-contained in a lockable cabinet
- 24 VDC remote power supply
- Outputs are completely power-limited
- Two optically-isolated input/control circuits, compatible with 12 VDC and 24 VDC control panel NACs
- Four output circuits:
  - ✓ Fully filtered power
  - ✓ Four 24 VDC Style Y (Class B) NACs
  - ✓ Optional ZNAC-4 Class A converter module for conversion to Style Z NACs
  - ✓ Alternatively, all four circuits may be configured as 24 VDC power outputs
  - ✓ Output circuits may be configured as resettable or nonresettable
- NAC Trouble LED - blinks to indicate the number of the circuit in trouble
- Maximum current available for any one output circuit: 3.0 amps
- Maximum total continuous current available:
  - ✓ 4.0 amps for FCPS-24FS6
  - ✓ 6.0 amps for FCPS-24FS8

- Maximum total short term current (one hour maximum):
  - ✓ 6.0 amps for FCPS-24FS6
  - ✓ 8.0 amps for FCPS-24FS8
- Integral supervised battery charger for lead acid batteries only
- Capable of charging 7.0 AH to 18.0 AH (Amp Hour) batteries
- Fully supervised power supply, battery and NACs
- Selectable Strobe Synchronization for NACs [System Sensor, Gentex (Commander II) and Wheelock]
- Coded signal synchronization
- Fixed terminal blocks for field wiring capable of accepting 12 - 22 AWG wire
- Selectable Ground Fault detection by jumper JP1
- Power supply trouble Form-C relay contacts (fail-safe)
- Optional delay of AC loss reporting for 8 hours
- Auxiliary Power Output for SLC modules (500 mA maximum) with optional reset for 4-wire smoke detectors
- Mounting location for optional addressable control module

### 1.3 Start-up Procedure

1. Configure the power supply jumpers as described in "Jumpers" on page 8
2. Install the power supply as described in "Installation" on page 12
3. Program the power supply as described in "Programming Options" on page 17
4. Wire the power supply circuits, referring to the options described in "Trouble Supervision" on page 22 and the application examples in "Applications" on page 24
5. Connect primary power source wiring while observing the following:



- ✓ Make certain that the AC mains circuit breaker is **off** before making any wiring connections between the mains and the power supply
  - ✓ Make certain primary power source is 120 VAC, 60 Hz, 3.2 amps
  - ✓ Run a pair of wires (with ground conductor) from the protected premises main breaker box to TB1 of the power supply main circuit board
  - ✓ Use 14 AWG (1.6 mm O.D.) or heavier gauge wire with 600V insulation
6. Apply power to the power supply using the following procedure:
    - ✓ connect a properly charged battery to connector JP4 on the power supply main circuit board
    - ✓ apply AC power by turning on the AC mains circuit breaker connected to the power supply

## 1.4 Jumpers

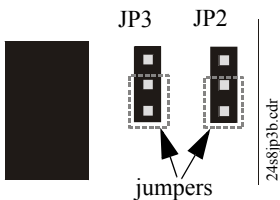


**CAUTION!** Remove all power (AC & DC) before cutting or moving any jumpers.

### 1.4.1 Jumper JP1 - Ground Fault Detection

Jumper JP1 is located in the top right section of the power supply circuit board. Cutting JP1 will disable ground fault detection by the power supply. This should only be done if ground faults are being monitored by a panel connected to the FCPS power supply.

### 1.4.2 Jumpers JP2 and JP3: Coded/Noncoded Input Selection



Jumpers JP2 and JP3 are located in the top right section of the power supply circuit board. JP2 is used for Control Input Circuit #1 and JP3 is used for Control Input Circuit #2. The position of these jumpers will depend on the type of signal being fed to the input circuits:

- If the source voltage to the input circuit is a noncoded (steady voltage) input signal, the jumper for the corresponding input circuit should be in the default position which jumpers the bottom two pins (as illustrated in drawing at left).
- If the source voltage to the input circuit is coded (variable voltage), the jumper for the corresponding input circuit should be moved to jumper the top two pins.

Jumper positions shown for noncoded (steady) source voltage

## 1.5 LED Indicators

- AC Power on (green) LED - indicates AC power is present
- Ground Fault (yellow) LED - indicates a ground fault condition
- Battery Trouble (yellow) LED - indicates low or no battery
- NAC Trouble (yellow) LED - indicates a Notification Appliance Circuit trouble (blinks once for Circuit 1 trouble, twice for Circuit 2 trouble, three times for Circuit 3 trouble and four times for Circuit 4 trouble. Note that multiple circuits in trouble will cause the LED to blink the number of the circuit with the highest number)
- Charger Trouble/AC Loss (yellow) LED - indicates a charger fault or loss of AC power



## 1.6 Specifications

Refer to Figure 1.1 on page 10 for terminal locations.

### Primary AC Power - TB1

- 120 VAC, 60 Hz, 3.2 amps maximum
- Wire size: minimum #14 AWG with 600V insulation

### Control Input Circuits - TB4, Terminals 3 (+) & 4 (-) and 7 (+) & 8 (-)

- Trigger Input Voltage: 9 to 32 VDC
- Input Current Draw in Alarm Polarity:
  - ✓ 16 to 32 volts, 2.0 mA maximum per input
  - ✓ 9 to 16 volts, 1.0 mA maximum per input

### NAC/Output Circuits - TB2, Terminals 1 (+) & 2 (-), 3 (+) & 4 (-), 5 (+) & 6 (-) and 7 (+) & 8 (-) alarm polarity

- Voltage Rating: 24 VDC filtered
- Current:
  - ✓ Maximum for any one circuit - 3.0 amps
  - ✓ Maximum total continuous current for all output:
    - FCPS-24FS6 - 4.0 amps
    - FCPS-24FS8 - 6.0 amps
  - ✓ Maximum total short term current (one hour maximum) for all outputs:
    - FCPS-24FS6 - 6.0 amps
    - FCPS-24FS8 - 8.0 amps
- Output Circuit Types:
  - ✓ Four Style Y NACs (require 4.7 K $\Omega$  End-of-Line Resistors) or Style Z NACs using the optional ZNAC-4 Class A converter module

**OR**

  - ✓ Four resettable or nonresettable 24 VDC power outputs
- Refer to Fire•Lite Device Compatibility Document for listed compatible devices

### Trouble Relay Contact Rating - TB5

- Fail-safe Form-C relay (normally energized, transfers with loss of power)
- 5.0 amps @ 24 VDC or 5.0 amps @ 30 VAC

### Secondary Power (battery) Charging Circuit - JP4

- Supports lead acid type batteries only
- Float Charge Voltage: 27.6 VDC
- Maximum Charge Current: 1.5 A
- Battery fuse (F1) 15A, 30V
- Maximum Battery Capacity: 18.0 AH
- Power supply draws maximum standby current of 65 mA from batteries

### Auxiliary Power Output - TB4 Terminals 9 (+) & 10 (-)

- Specific application power
- Voltage Rating: 24 VDC
- Current:
  - ✓ 170 mA maximum with internal 7.0 Amp Hour batteries
  - ✓ 500 mA maximum with external 18.0 Amp Hour batteries

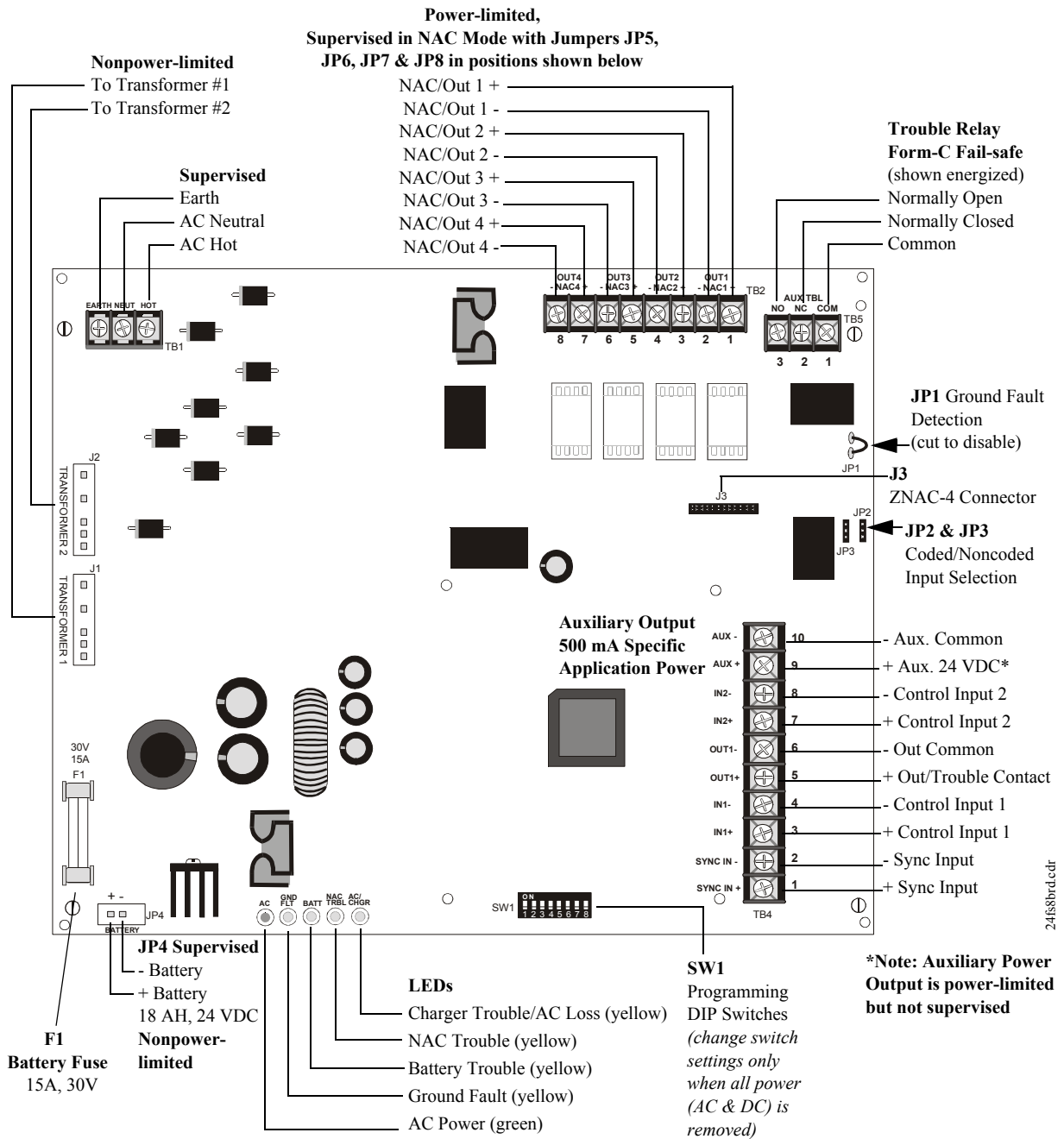
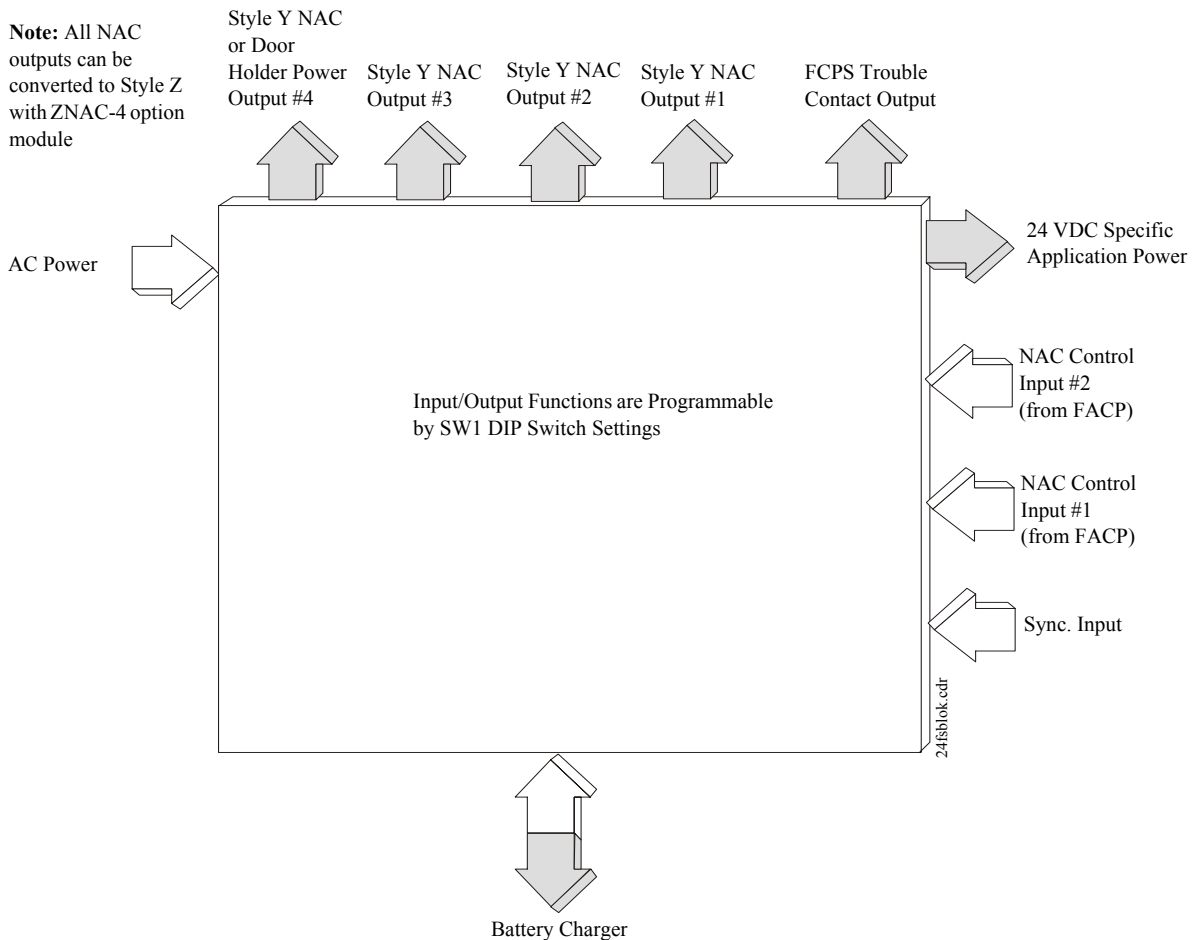


Figure 1.1 FCPS-24FS Board Layout

## 1.7 General

The FCPS may be used in a number of different applications. It may be used as a remotely-mounted power supply and battery charger where it can provide up to four coded or noncoded, synchronized or nonsynchronized NACs (Notification Appliance Circuits). Alternatively, output #4 can be used as a door holder circuit which will provide a steady 24 VDC output until an alarm condition or AC fail condition causes it to drop to 0 VDC following a 60 second delay. All four outputs can also provide power.



**Figure 1.2 Simplified FCPS Block Diagram**

One possible application for the FCPS remote power supply utilizes the NAC repeater feature. In this application, one or two NACs are connected from the main FACP to the remote power supply control input circuits. When the control input circuits are activated by the reverse polarity of the NACs, the power supply will activate its corresponding output circuits as programmed by SW1 DIP switch configuration (refer to Table 3.1 on page 18).

During the inactive state, the remote power supply supervises its NAC field wiring for short and open conditions. If a fault is detected, the power supply will enter a trouble condition and illuminate the NAC Trouble LED. When the NACs are activated, the supervision is disabled and the circuits are no longer supervised. Supervision of other power supply faults such as low battery, battery charger trouble, ground fault and AC loss will continue and may be monitored via the power supply trouble relay.

If an application requires that all four outputs activate at the same time, only one NAC is required from the FACP. For this application, the NAC is connected to control input circuit #1 and SW1 DIP switch is set for this operation.

## SECTION 2 Installation

Carefully unpack the system and check for shipping damage. Select a location for the cabinet that is in a clean, dry, vibration-free area where extreme temperatures are not encountered. The area should be readily accessible with sufficient room to easily install and maintain the power supply. Locate the top of the cabinet approximately five feet above the floor with the hinge mounting on the left. Determine the number of conductors required for the devices to be installed and determine the appropriate knockouts. All wiring must be in accordance with the National and/or Local codes for fire alarm systems and power supplies.

### 2.1 Backbox Mounting



*The circuit board contains static-sensitive components. Always ground yourself with a proper wrist strap before handling any boards so that static charges are removed from the body. Use static suppressive packaging to protect electronic assemblies.*

1. Remove the PC board and transformers from the backbox before installing backbox. Set the board and transformers aside in a safe, clean place. *Avoid static discharge which may damage static sensitive components on the board*
2. Mark and predrill holes for the top two keyhole mounting bolts
3. Install two upper fasteners in the wall with the screw heads protruding approximately 1/4"
4. Using the upper keyholes, mount the backbox over the two screws
5. Mark the lower two holes, remove the backbox from the wall and drill the mounting holes
6. Mount the backbox, install the remaining fasteners and tighten all screws
7. When the location is dry and free of construction dust, reinstall the PC board and transformers and continue with the installation
8. **IMPORTANT!** Make certain to connect the supplied *grounding strap* between the *Earth* terminal on TB1 (AC Terminal Block) of the main circuit board and the chassis *ground stud* as illustrated in Figure 2.1:

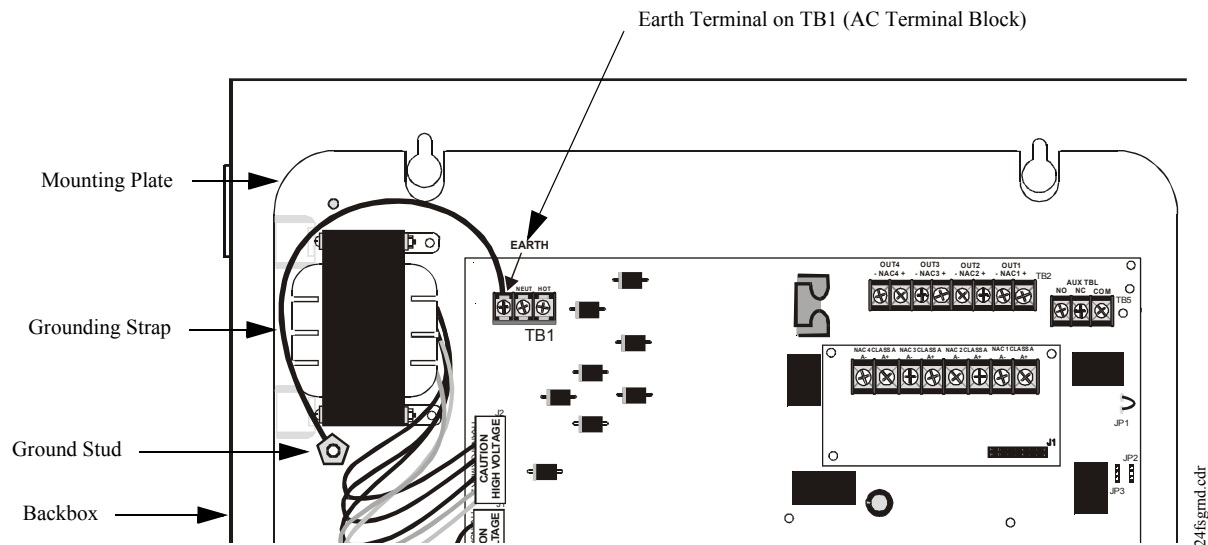


Figure 2.1 Grounding Strap

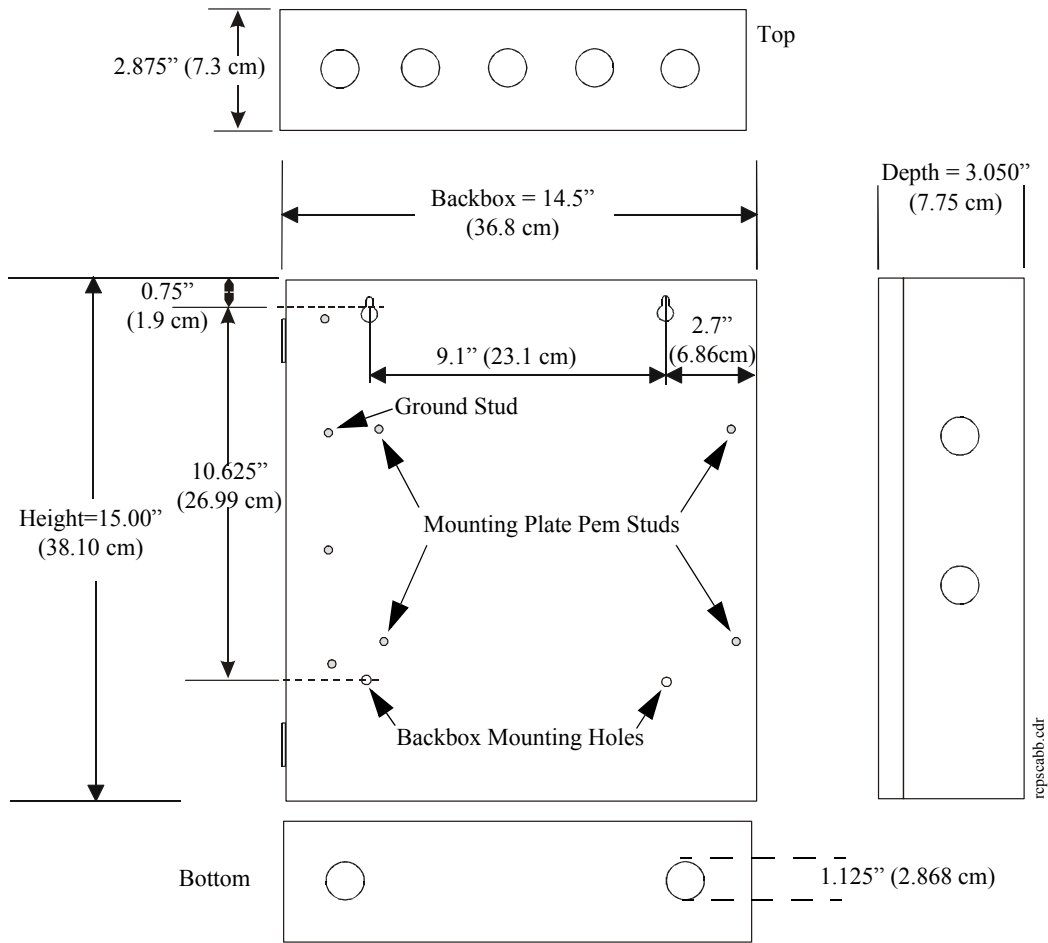


Figure 2.2 Backbox Mounting Dimensions

## 2.2 NAC Circuit Wiring

### 2.2.1 Style Y (Class B)

The standard configuration for NACs is Style Y (Class B) as shown in Figure 2.3.

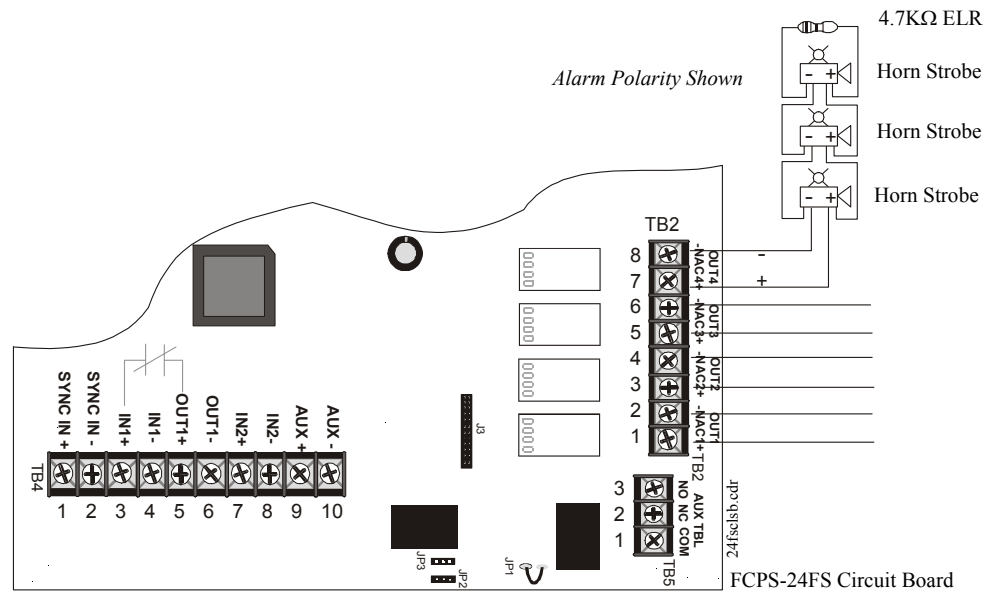


Figure 2.3 NAC Style Y (Class B)

### 2.2.2 ZNAC-4 Class A Option Module

The ZNAC-4 is an optional Class A conversion module which mounts to connector J3 on the upper right side of the FCPS-24FS circuit board. This module allows the FCPS-24FS6 or FCPS-24FS8 to support Style Z (Class A) Notification Appliance Circuits.

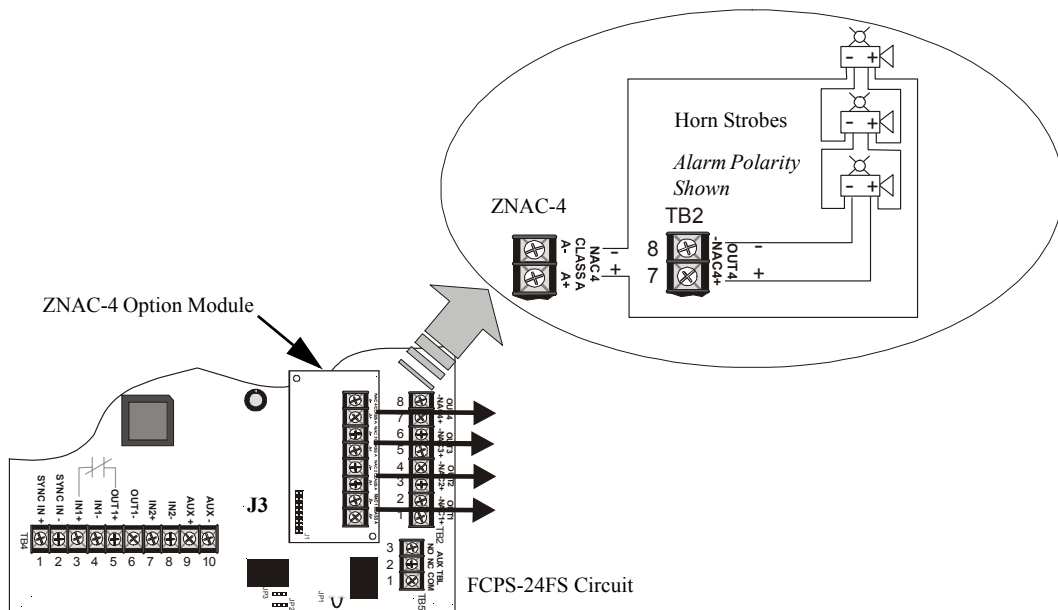
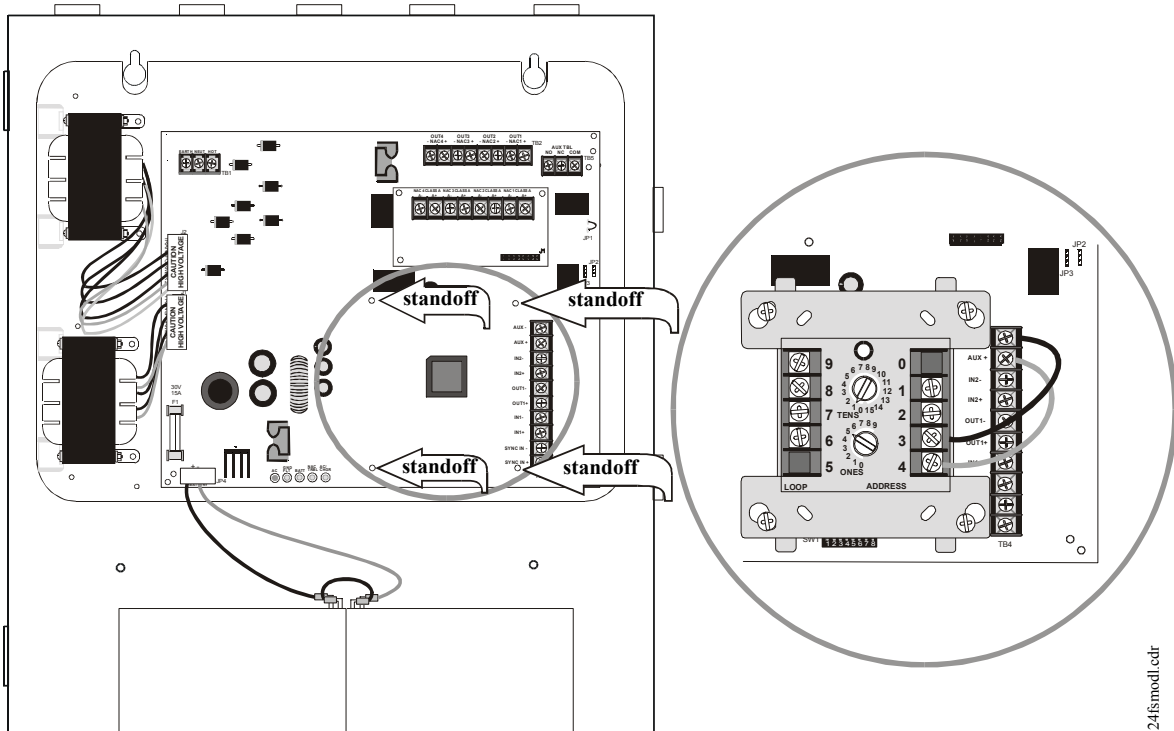


Figure 2.4 Style Z (Class A) NACs using ZNAC-4 Option Module

### 2.3 Addressable Module Mounting

The FCPS-24FS has been designed to allow the mounting of an addressable control, relay or monitor module on the main circuit board inside the power supply cabinet with the module status LED visible through the closed door. This allows power to be fed from the FCPS-24FS Auxiliary Power output directly to the module, if needed, without running the power wires outside the cabinet. As an example, Figure 2.5 illustrates wiring from the Auxiliary power output terminals to a CMF-300 control module's terminals 3 (-) and 4 (+).

*Note that the optional module mounting kit (P/N 90286) is required to install an addressable module on the power supply main circuit board. The kit includes four female/female and four male/female standoffs as well as four mounting screws.*



24fsmodl.cdr

#### Module Installation

1. Remove FCPS-24FS main circuit board from mounting plate by removing four corner screws.
2. Install four male/female standoffs through bottom of board in holes indicated in illustration above.
3. Screw four female/female standoffs to male ends of standoffs installed in Step 2 to secure in place.
4. Place addressable module over standoffs installed in Step 3 and secure with supplied screws.
5. Reinstall main circuit board on mounting plate and wire module as show in illustration above.

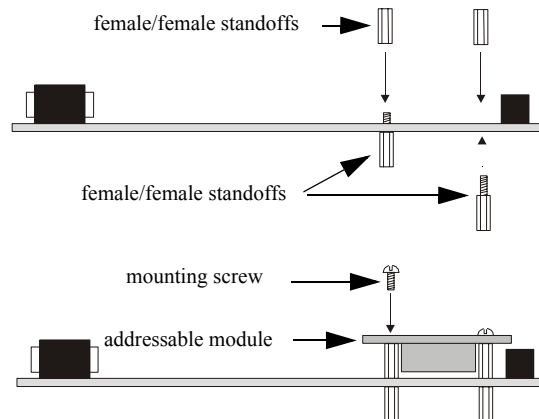


Figure 2.5 Mounting Module In FCPS-24FS Cabinet

## 2.4 NEC Power-limited Wiring Requirements

Power-limited and nonpower-limited circuit wiring must remain separated in the cabinet. All power-limited circuit wiring must remain at least 0.25” away from any nonpower-limited circuit wiring. Furthermore, all power-limited circuit wiring and nonpower-limited circuit wiring must enter and exit the cabinet through different conduits. One such example of this is shown below. Your specific application may require different conduit knockouts to be used. Any conduit knockouts may be used. For power-limited applications, use of conduit is optional.

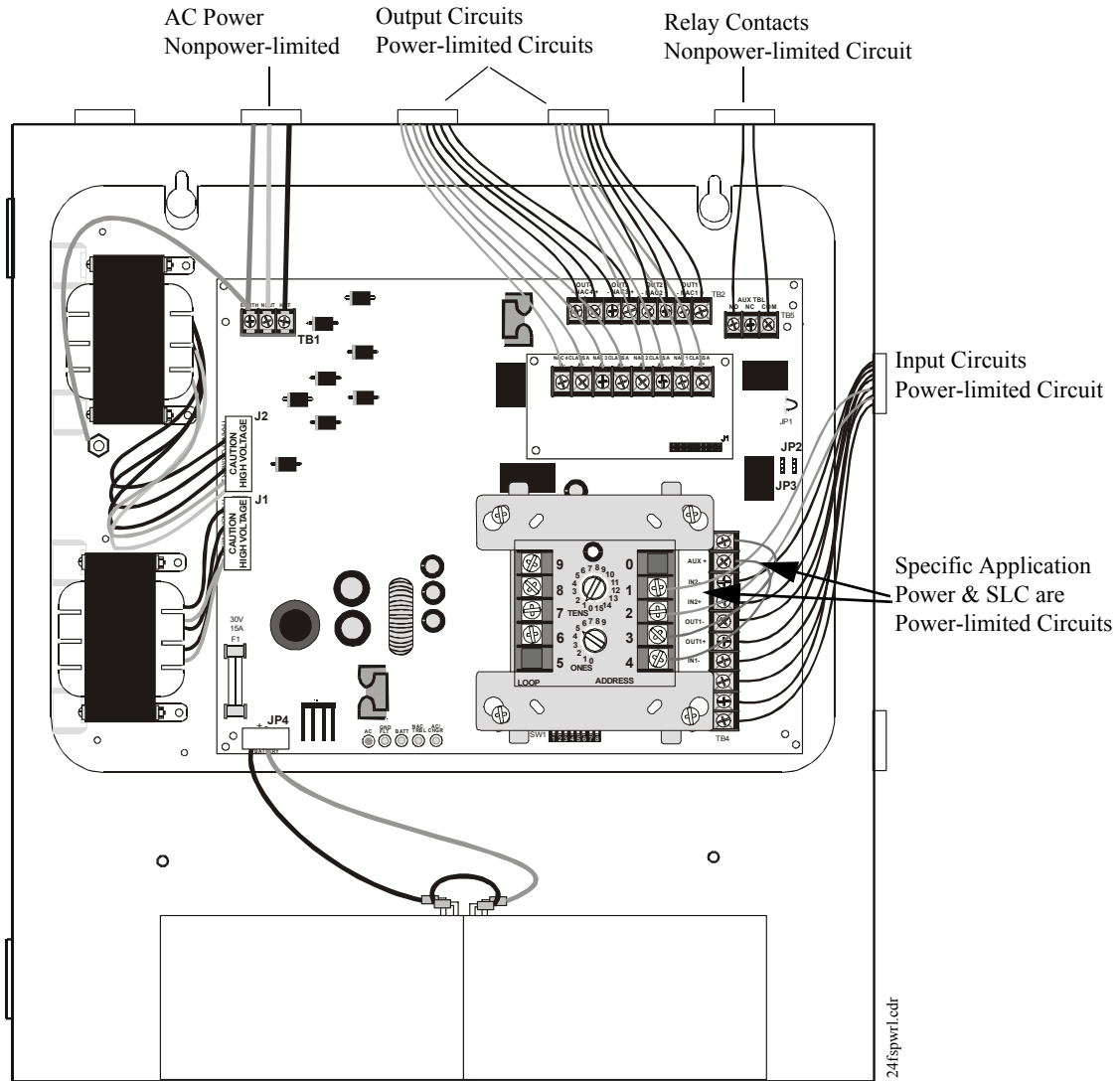


Figure 2.6 Power-limited Wiring Example



# SECTION 3 Programming Options

This section describes the programming options available via DIP switch settings. The FCPS can be field programmed using option DIP switch SW1 which is located in the lower center of the circuit board. Refer to the following illustration for switch location and DIP switch placement in the ON and OFF positions.

**Important:** Change DIP switch settings only when all power (AC & DC) is removed.

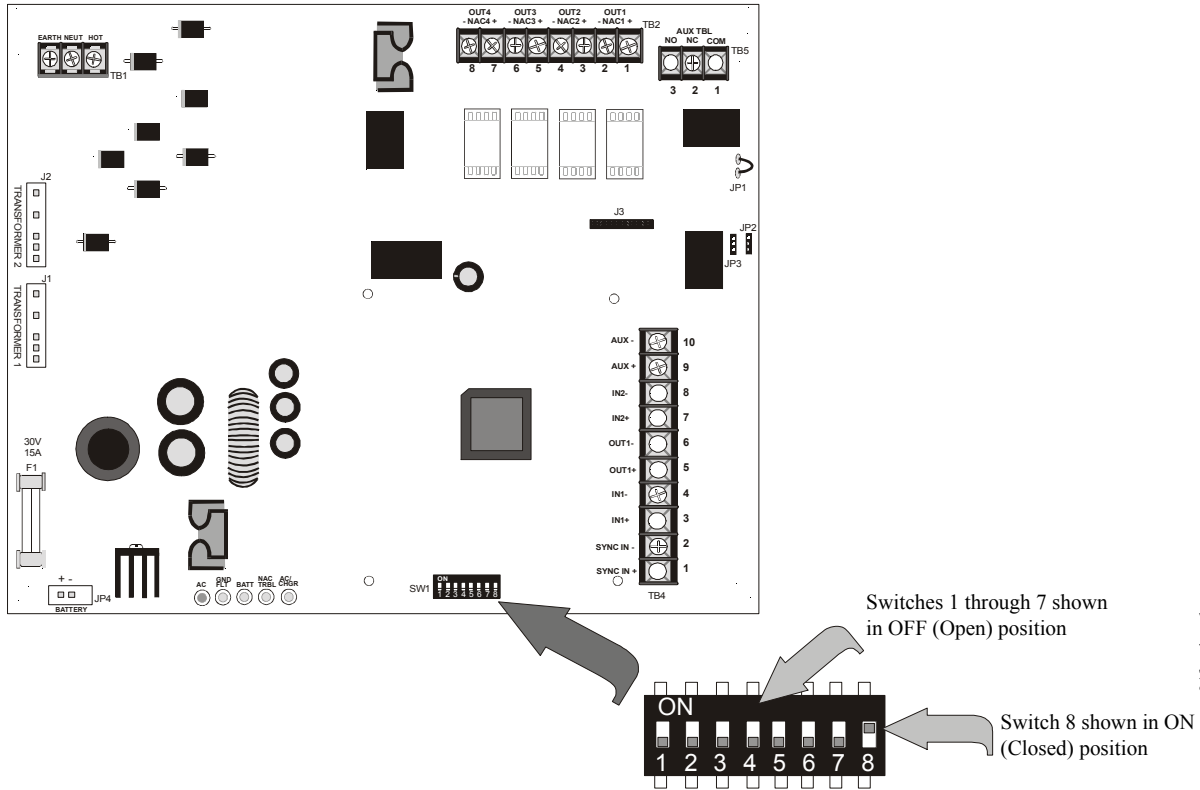


Figure 3.1 Field Programming DIP Switches

### 3.1 DIP Switch Settings

The following table lists the FCPS programmable features and the switch settings required to select a particular feature. A detailed description of each feature is presented in the following pages.

**Table 3.1 DIP Switch Settings**

SW1 DIP Switch	ON	OFF
1	This switch works in conjunction with switch 2 to determine the Strobe Synchronization Type <sup>1</sup> .	
2	<b>1 OFF, 2 OFF</b> = no sync (steady +24V) <b>1 OFF, 2 ON</b> = System Sensor <b>1 ON, 2 OFF</b> = Gentex (Commander II) <b>1 ON, 2 ON</b> = Wheelock	
3	FCPS configured for Slave Synchronization	FCPS configured for Master Synchronization
4	Delay AC Fail Reporting for 8 Hours	No Delay in AC Fail Reporting
5	This switch works in conjunction with switch 6 to determine Input to Output functions	
6	<b>5 OFF, 6 OFF = General Alarm</b> <ul style="list-style-type: none"> <li>FCPS configured as Master (switch 3 OFF), NAC Outputs 1 through 4<sup>2</sup> are controlled by Control Input #1; Sync Input is ignored.</li> <li>FCPS configured as Slave (switch 3 ON), NAC Outputs 1 through 4<sup>2</sup> are controlled by Control Input #1; Sync Input is monitored<sup>3</sup>.</li> <li>Resettable or nonresettable Auxiliary Power Output is available from TB4 Terminals 9 &amp; 10. Control Input #2 determines if reset will occur (must go from On to Off for a 6 second reset to occur).</li> <li>Output #4 function follows DIP switch 8 setting.</li> </ul> <b>5 OFF, 6 ON = Split Alarm</b> <ul style="list-style-type: none"> <li>FCPS configured as Master (switch 3 OFF), NAC Outputs 1 &amp; 2 are controlled by Control Input #1 and Outputs 3 &amp; 4<sup>2</sup> are controlled by Control Input #2; Sync Input is ignored.</li> <li>FCPS configured as Slave<sup>5</sup> (switch 3 ON), NAC Outputs 1 &amp; 2 are controlled by Control Input #1 and Outputs 3 &amp; 4<sup>2</sup> are controlled by Control Input #2; Sync Input is monitored<sup>3</sup>.</li> <li>Only nonresettable Auxiliary Power is available from TB4 Terminals 9 &amp; 10.</li> <li>Output #4 function follows DIP switch 8 setting.</li> </ul> <b>5 ON, 6 OFF = Split Temporal</b> <ul style="list-style-type: none"> <li>FCPS configured as Master (switch 3 OFF), Control Input #1 controls NAC Outputs 1 &amp; 2 and Control Input #2 controls Outputs 3 &amp; 4<sup>2</sup> which will generate a Temporal code signal without sync; Sync Input is ignored.</li> <li>FCPS configured as Slave (switch 3 ON), Control Input #1 controls NAC Outputs 1 &amp; 2 and Control Input #2 controls Outputs 3 &amp; 4<sup>2</sup> which will generate a Temporal code signal without sync; Sync Input is monitored for Outputs 1 &amp; 2<sup>3</sup>.</li> <li>Only nonresettable Auxiliary Power is available from TB4 Terminals 9 &amp; 10.</li> <li>Output #4 function follows DIP switch 8 setting.</li> </ul> <b>5 ON, 6 ON = Selective Silence</b> <ul style="list-style-type: none"> <li>FCPS configured as Master (switch 3 OFF), NAC Outputs 1 through 4<sup>2</sup> are controlled by Control Input #1; Sync Input is ignored.</li> <li>FCPS configured as Slave (switch 3 ON), NAC Outputs 1 through 4<sup>2</sup> are controlled by Control Input #1; Sync Input is monitored<sup>3</sup>.</li> <li>Control Input #2 determines when Selective Silence for all outputs will occur<sup>4</sup></li> <li>Only nonresettable Auxiliary Power is available from TB4 Terminals 9 &amp; 10.</li> <li>Output #4 function follows DIP switch 8 setting.</li> </ul>	
7	Disable Charger	Enable Charger
8	Output Circuit #4 = Door Holder	Output Circuit #4 = NAC
<sup>1</sup> Strobe Synchronization only works with non-coded NACs. <sup>2</sup> If Door Closer function is selected (switch 8 ON), Output 4 does not function as an NAC, therefore sync input is ignored for it. <sup>3</sup> If <i>no synchronization</i> is selected by switches 1 & 2, the Sync Input is ignored. <sup>4</sup> Selective Silence allows the silencing of the sounder portion of a horn/strobe combination device without turning off the strobe. <sup>5</sup> When using Split Alarm with power supply configured for Slave Mode, System Sensor can not be used (use System Sensor with Master Mode only)		

## 3.2 Programmable Features Description

### 3.2.1 Synchronization Type Selection

Synchronization is a feature that controls the activation of notification appliances in such a way that all devices will turn on and off at exactly the same time. This is particularly critical when activating strobes which must be synchronized to avoid random activation and a potential hazard or confusion. The FCPS can be programmed to operate with a variety of manufacturer's devices. Note that strobe synchronization works only with non-coded NACs.

DIP switches 1 and 2 are used to select the type of synchronization as listed below:

**Table 3.2 Sync Type Settings**

DIP Switch 1	DIP Switch 2	Synchronization Type
OFF	OFF	no synchronization (steady 24V)
OFF	ON	System Sensor
ON	OFF	Gentex (Commander II)
ON	ON	Wheelock

### 3.2.2 Synchronization Mode - Master/Slave

The FCPS power supply can be configured for Master or Slave Synchronization by setting DIP switch 3 ON for Slave or OFF for Master mode.

In some installations, it is necessary to synchronize the flash timing of all strobes in the system for ADA compliance. Strobes accomplish this by monitoring very short timing pulses on the NAC power which are created by an FACP such as the MS-9600. When installed at the end of an MS-9600 NAC wire run, this power supply can track (that is follow) the strobe synchronization timing pulses on the existing NAC wire run. This maintains the overall system flash timing of the additional strobes attached to this power supply.

When this power supply is configured as a *sync generator* (Master Synchronization mode), the Sync Input terminals are not used. The power supply is the originator of the strobe synchronization pulses on its NAC outputs. In *sync generator* mode, the sync type [System Sensor, Wheelock, or Gentex (Commander II)] is selectable via DIP switches 1 and 2.

When this power supply is configured as a *sync follower* (Slave Synchronization mode), the power supply's NAC outputs track the strobe synchronization pulses present at the supply's Sync Input terminals. The pulses originate from an upstream FACP or other power supply. *Note that the Synchronization Type configured by DIP switches 1 and 2 must be set to the same type as the signal being fed to the Sync Input circuit in the event that Selective Silence is employed.*

**Important!** In Slave Mode, if the Input is active, but no signal is present on the Sync Input circuit, the power supply will turn the NACs on steady until a sync signal appears. The NACs will turn off when the Input becomes inactive.

Also in Slave Mode, if the Input is active and the Sync Input is suddenly lost (FCPS or wiring failure), there will be a three second period in which the NAC outputs are indeterminate. After this three second period, the power supply will turn the NACs on steady until the Input becomes inactive.

### 3.2.3 AC Fail Delay

The AC Fail Delay feature provides the option to delay generation of a trouble signal upon the loss of AC power. DIP switch 4 set to the OFF position will allow the FCPS to generate a trouble signal immediately on the loss of AC power. DIP switch 4 set to the ON position will delay the generation of a trouble signal for 8 hours.

### 3.2.4 Input/Output Function

DIP switches 5 and 6 are used to determine the Input Control circuits that will activate the four output circuits and the function of the output circuits. For example, to configure a **General Alarm** operation in which Input Control Circuit #1 activates all four output NACs, DIP switches 5 and 6 are both set to the OFF position. In this configuration, the Sync Input circuit is ignored if the power supply is set as a Master but will be monitored if the supply is set as a Slave. In addition, if the Auxiliary Power output is set as a resettable output, the circuit connected to Control Input Circuit #2 will control the auxiliary power reset function.

The following table details the four possible input/output configurations:

**Table 3.3 Input/Output Configurations**

DIP Switch 5	DIP Switch 6	Input/Output Function
OFF	OFF	<b>General Alarm</b> <ul style="list-style-type: none"> <li>FCPS configured as Master (switch 3 OFF), NAC Outputs 1 through 4<sup>1</sup> are controlled by Control Input #1; Sync Input is ignored.</li> <li>FCPS configured as Slave (switch 3 ON), NAC Outputs 1 through 4<sup>2</sup> are controlled by Control Input #1; Sync Input is monitored<sup>2</sup>.</li> <li>Resettable or nonresettable Auxiliary Power Output is available from TB4 Terminals 9 &amp; 10. Control Input #2 determines if reset will occur (must go from On to Off for a 6 second reset to occur).</li> </ul>
OFF	ON	<b>Split Alarm</b> <ul style="list-style-type: none"> <li>FCPS configured as Master (switch 3 OFF), NAC Outputs 1 &amp; 2 are controlled by Control Input #1 and Outputs 3 &amp; 4<sup>1</sup> are controlled by Control Input #2; Sync Input is ignored.</li> <li>FCPS configured as Slave<sup>4</sup> (switch 3 ON), NAC Outputs 1 &amp; 2 are controlled by Control Input #1 and Outputs 3 &amp; 4<sup>1</sup> are controlled by Control Input #2; Sync Input is monitored<sup>2</sup>.</li> <li>Only nonresettable Auxiliary Power is available from TB4 Terminals 9 &amp; 10</li> </ul>
ON	OFF	<b>Split Temporal</b> <ul style="list-style-type: none"> <li>FCPS configured as Master (switch 3 OFF), Control Input #1 controls NAC Outputs 1 &amp; 2 and Control Input #2 controls Outputs 3 &amp; 4<sup>1</sup> which will generate a Temporal code signal without sync; Sync Input is ignored.</li> <li>FCPS configured as Slave (switch 3 ON), Control Input #1 controls NAC Outputs 1 &amp; 2 and Control Input #2 controls Outputs 3 &amp; 4<sup>1</sup> which will generate a Temporal code signal without sync; Sync Input is monitored for Outputs 1 &amp; 2<sup>2</sup>.</li> <li>Only nonresettable Auxiliary Power is available from TB4 Terminals 9 &amp; 10</li> </ul>
ON	ON	<b>Selective Silence<sup>3</sup></b> <ul style="list-style-type: none"> <li>FCPS configured as Master (switch 3 OFF), NAC Outputs 1 through 4<sup>1</sup> are controlled by Control Input #1; Sync Input is ignored.</li> <li>Control Input #2 determines when Selective Silence for all outputs will occur</li> <li>Only nonresettable Auxiliary Power is available from TB4 Terminals 9 &amp; 10</li> </ul>
<sup>1</sup> If Door Closer function is selected (switch 8 ON), Output 4 does not function as an NAC, therefore sync input is ignored for Output 4. <sup>2</sup> If <i>no synchronization</i> is selected by switches 1 & 2, the Sync Input is ignored. <sup>3</sup> Selective Silence allows the silencing of the sounder portion of a horn/strobe combination device without turning off the strobe. <sup>4</sup> When using Split Alarm with power supply configured for Slave Mode, System Sensor can not be used (use System Sensor with Master Mode only)		

#### 3.2.4.1 Auxiliary Power Control

The 24 VDC Auxiliary power from TB4 Terminals 9(+) & 10(-) can be resettable or nonresettable power only when the power supply is configured for General Alarm operation. For all other configurations, the auxiliary power output is only nonresettable.

In the General Alarm configuration, the Auxiliary power output can be made resettable by applying a steady signal to Control Input 2 (positive 12 to 24 VDC on TB4 Terminal 7 and common on Terminal 8). Temporarily removing the voltage or reversing the polarity will cause the Auxiliary power output to reset for 6 seconds.

### 3.2.5 Charger Enable/Disable

The FCPS-24FS battery charger can be disabled to accommodate an external battery charger. Setting DIP switch 7 to the default setting of OFF will enable the battery charger. Setting DIP switch 7 to the ON position will disable the charger. It should only be disabled if an external battery charger is being used for the FCPS-24FS.

### 3.2.6 Door Closers

Output Circuit #4 can be configured as an NAC or door closer circuit. Setting DIP switch 8 to the OFF position will configure Output Circuit #4 as an NAC. Setting DIP switch 8 to the ON position will configure only Output Circuit #4 as a door closer circuit which will provide a steady 24 VDC to door holders until an alarm or AC fail condition removes the power following a 60 second delay.

## SECTION 4                      Trouble Supervision

### 4.1 Supervision via FACP Notification Appliance Circuit

#### 4.1.1 Supervision of FACP to FCPS wiring

The FACP (Fire Alarm Control Panel) supervises the connection between itself and the FCPS-24FS via the control panels NAC End-of-Line Resistor (ELR). The ELR must be installed at the FCPS end of the circuit, after the last notification appliance on the circuit. If no additional devices are connected from the FCPS Control Input terminals, the ELR must be connected across terminals 5 & 6 for Control Input Circuit #1 and across terminals 7 & 8 for Control Input Circuit #2. An open or short anywhere on the control panel's NAC or power supply NAC will be detected at the FACP as an NAC trouble.

**IMPORTANT:** *If additional notification appliances are connected to the Out terminals 5 & 6 of Control Input Circuit #1 or extended from Control Input Circuit #2 Terminals 7 & 8, the ELR must be installed after the last device on the circuit.*

#### 4.1.2 Supervision of FCPS-24FS Faults

The FACP will detect FCPS power supply faults as an open circuit condition on its NAC. An internal trouble contact is located between TB4 Terminal 3 (In+) and TB4 Terminal 5 (Out+). Any of the following conditions will cause the trouble contact to open, provided the FACP Notification Appliance Circuit is not in alarm. The following trouble conditions will cause a general NAC trouble:

- A field wiring fault on the NAC output of the power supply
- An AC fail condition at the power supply
- A battery fail condition at the power supply
- A battery charger fail on the power supply
- A ground fault condition on the power supply

Any power supply trouble will break the connection between the FACP and the ELR connected to Control Input #1 provided the FACP's NAC is not in alarm. The FACP's ELR must be placed after the last notification appliance connected to FCPS terminals 5 & 6 on TB4 or, if no devices are connected to these terminals, the ELR must be connected directly across terminals 5 & 6.

If trouble monitoring is required when the power supply is in alarm, the Trouble Relay at TB5 can be used for this purpose. An addressable monitor module may be used to monitor these contacts. Refer to Trouble Relay in the following section.

*Note: Control Input #2 (terminals 7 & 8) cannot be used to supervise the power supply for internal troubles, but an ELR is still required for FACP wiring supervision.*

### 4.1.3 Trouble Relay

The FCPS-24FS power supply has one fail-safe Form-C trouble relay located at TB5. The contacts can be monitored by an FACP input circuit or an addressable monitor module. The following trouble conditions will cause the normally energized trouble relay to change states regardless of whether the panel is in alarm or standby:

- An AC fail condition at the power supply
- A battery fail condition at the power supply
- A battery charger fail on the power supply
- A ground fault condition on the power supply
- A field wiring fault on the NAC output of the power supply

*Note: the NAC Trouble LED will indicate which NAC circuit is in trouble by blinking once for Circuit 1, twice for Circuit 2, three times for Circuit 3 and four times for Circuit 4. If more than one circuit is in trouble, the LED will blink the highest circuit number in trouble.*

## 4.2 AC Loss Reporting Delay

The reporting of AC loss to a central station is usually delayed in order to prevent multiple transmissions of AC loss and restoral, thus allowing AC power to stabilize. When a host FACP is programmed to delay AC loss reporting, the FCPS-24FS must be configured to delay the reporting of AC fail. This is accomplished by setting SW1 DIP switch 4 to the ON position. This will prevent AC loss from being reported as a trouble condition for eight hours.

In the event that an immediate indication of AC loss is required at a control panel programmed for AC loss reporting delay, the FCPS-24FS can be monitored by connecting the primary AC power from a single AC mains circuit breaker to both the host FACP and FCPS-24FS power supply. In this way, AC loss for both the control panel and power supply is monitored by the control panel, which will give an immediate indication when AC power fails.

*Note that the FCPS-24FS power supply will immediately indicate loss of AC power by turning off the AC Power LED and turning on the Charger Trouble/AC Loss LED, regardless of the setting of SW1 DIP switch 4.*

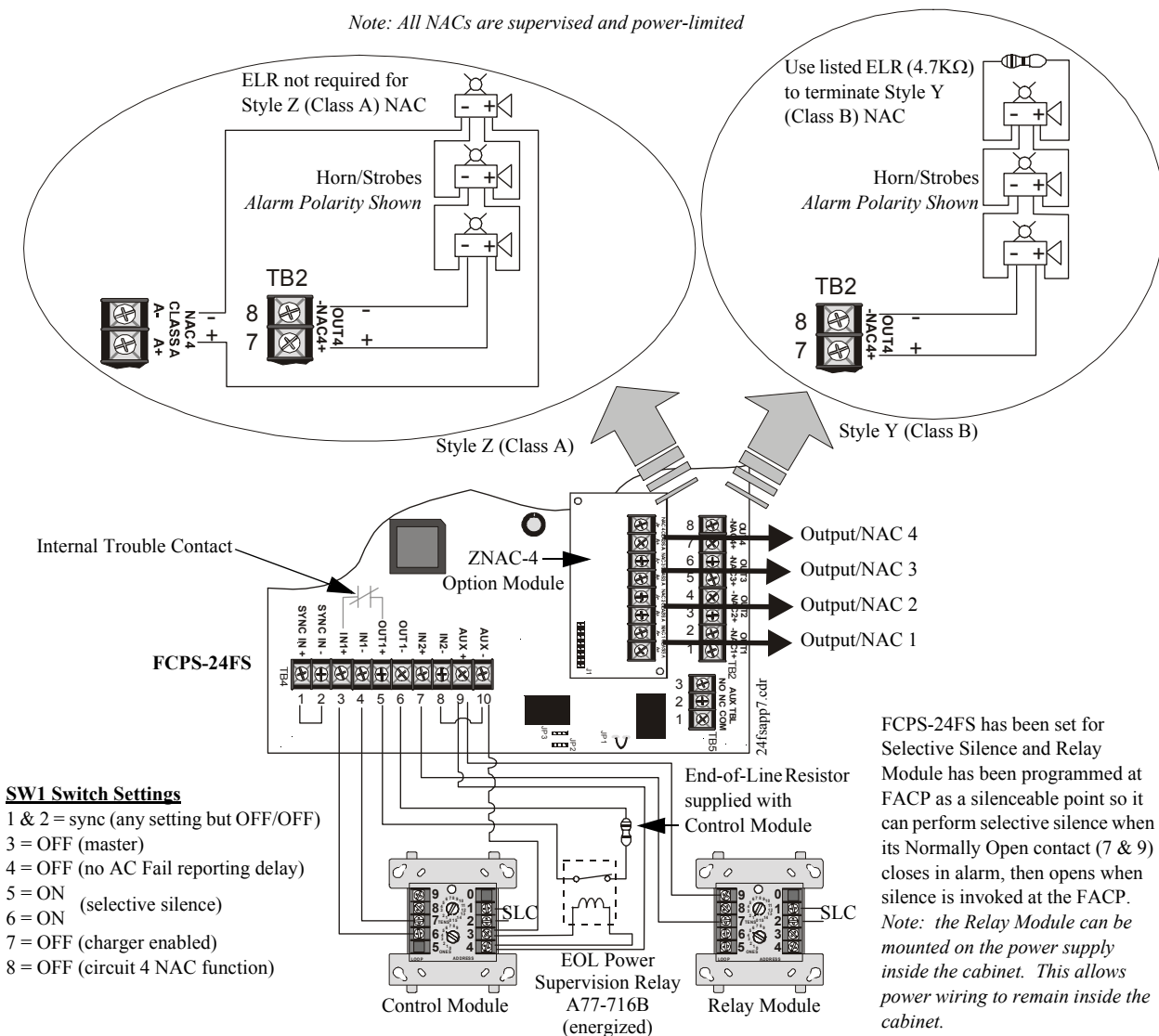
# SECTION 5 Applications

## 5.1 Controlling Four NACs With One Input and Selective Silence

In this application, the power supply has been set as a master with synchronized outputs and selective silence (see SW1 switch settings in following illustration). All four FCPS-24FS output circuits, which are shown as NACs (Notification Appliance Circuits), can be controlled from one input such as an addressable control module as illustrated in Figure 5.1. The control module can be powered from the FCPS-24FS auxiliary 24 VDC power output (TB4, Terminals 9 & 10) and supervised by an EOL relay. An addressable relay module, *programmed as an alarm output and a silenceable point*, can be used as a selective silence input.

The control module is shown to demonstrate the use of a remotely mounted device associated with an addressable fire alarm control panel. The module could be replaced with any circuit capable of polarity reversal, such as an FACP NAC.

*Note: All NACs are supervised and power-limited*

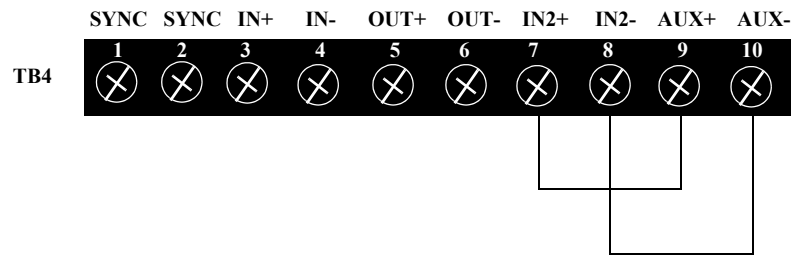


**Figure 5.1 Controlling Four Outputs With One Input**



Notes: The following notes apply to Figure 5.1 on page 24.

1. When the FCPS-24FS power supply is in an inactive state (control module not active), a trouble on the power supply will result in an open circuit condition on the control module output circuit (monitored by End-of-Line Resistor across TB4, Terminals 5 & 6). As an alternative, the trouble contacts at TB5 of the power supply can also be used for independent trouble monitoring.
2. The addressable relay module must be programmed as a silenceable point at the FACP to allow selective silence of horn/strobe devices. The Normally Open contact of the relay module is connected between TB4 Terminal 7 (IN2 +) and Terminal 9 (Aux. Power +).
3. Do not loop wires under screw terminals. Break wires to maintain proper supervision.
4. An End-of-Line Resistor must be installed between TB4, Terminals 5 & 6 for control module wiring supervision (the ELR value is dependent on the module employed).
5. Supervise the power wiring between the FPCS-24FS auxiliary 24 VDC output on TB4, Terminals 9 & 10 with an EOL relay (P/N: A77-716B).
6. For a list of compatible devices, refer to the Device Compatibility Document.
7. **IMPORTANT!** When the power supply is programmed for both *Selective Silence* and *Slave Mode*, TB4 Terminal 7 (IN+) must be jumpered to Terminal 9 (AUX+) and Terminal 8 (IN-) must be jumpered to Terminal 10 (AUX-). The FACP will control the Selective Silence feature with this configuration.  
If the terminals are not jumpered as indicated, the horn portion of the horn/strobes will be silenced at all times.

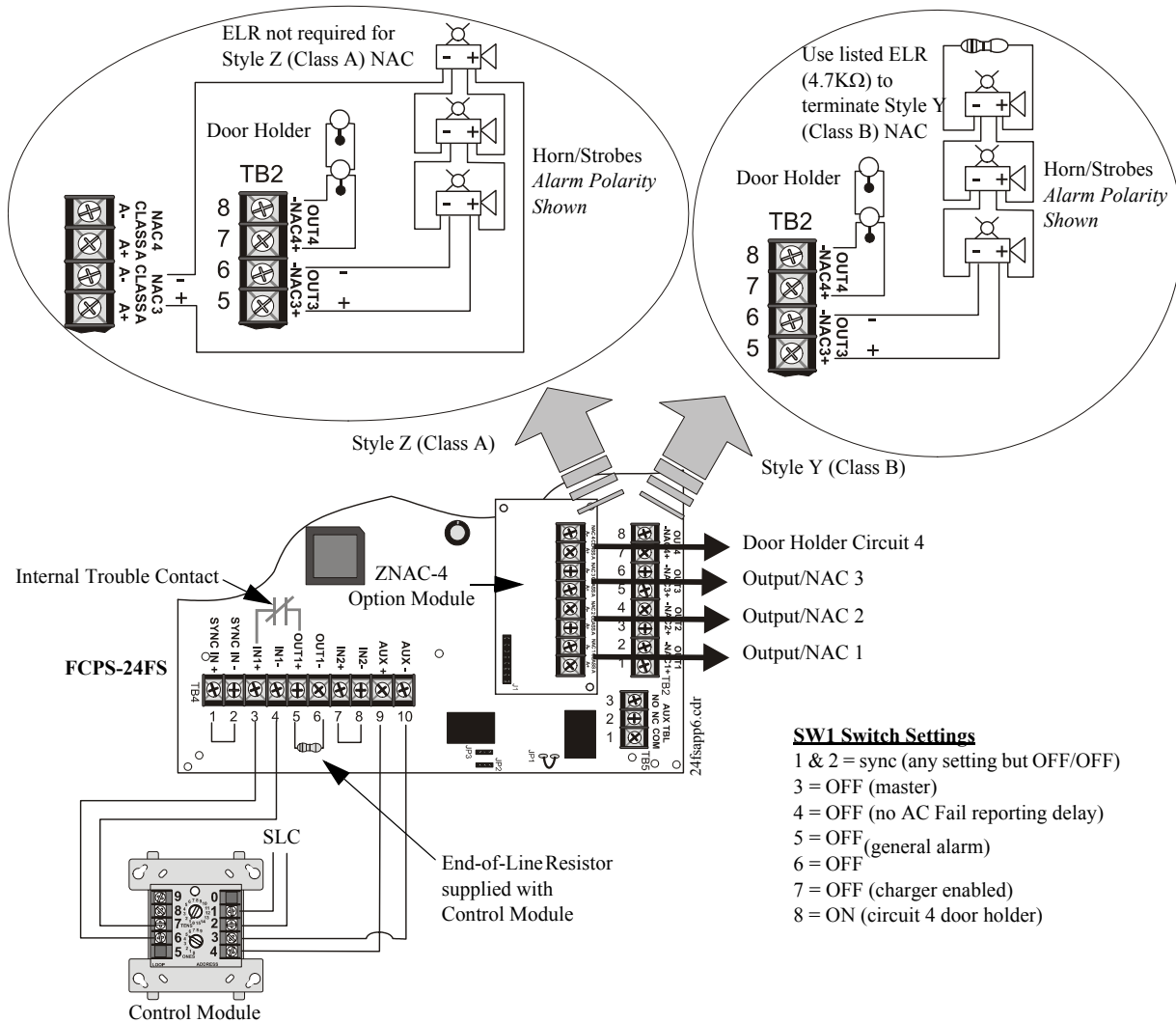


## 5.2 Controlling Three NACs and One Door Holder With One Input

In this application, the power supply has been set as a master with synchronized outputs. All four FCPS-24FS output circuits, three NACs and one door holder, can be controlled from one input such as an addressable control module as illustrated in Figure 5.2. The control module can be powered from the FCPS-24FS auxiliary 24 VDC power output (TB4, Terminals 9 & 10).

The control module is shown to demonstrate the use of a remotely mounted device associated with an addressable fire alarm control panel. The module could be replaced with any circuit capable of polarity reversal, such as an FACP Notification Appliance Circuit.

*Note: All NACs are supervised and power-limited*



**Figure 5.2 Controlling Three NACs and One Door Holder With One Input**

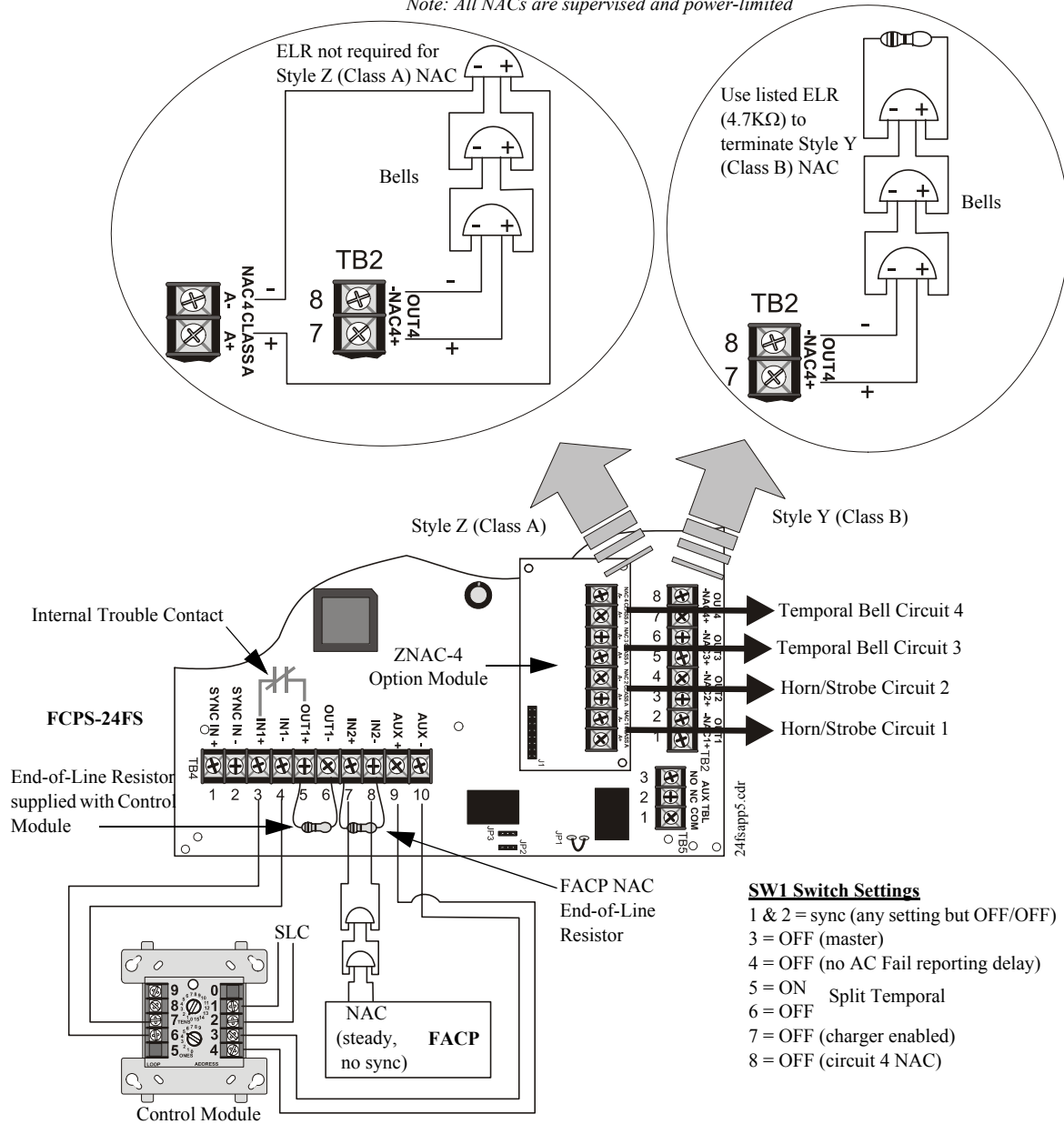
*Notes: The following notes apply to Figure 5.2 on page 26.*

1. The Output 4 door holder circuit will deactivate 60 seconds after Control Input #1 is activated or AC power is lost.
2. When the FCPS-24FS power supply is in an inactive state (control module not active), a trouble on the power supply will result in an open circuit condition on the control module output circuit (monitored by End-of-Line Resistor across Terminals 5 & 6). As an alternative, the trouble contacts at TB5 of the power supply can also be used for independent trouble monitoring.
3. Do not loop wires under screw terminals. Break wires to maintain proper supervision.
4. An End-of-Line Resistor must be installed between terminals 5 & 6 for control module wiring supervision (the ELR value is dependent on the module employed).
5. For a list of compatible devices, refer to the Device Compatibility Document.

### 5.3 Split Temporal Mode of Operation

In this application, the power supply has been set as a master with two synchronized and two nonsynchronized outputs as determined by the Split Temporal mode feature. Control Input #1 (TB4, Terminals 3 & 4) is connected to an addressable control module which will cause the synchronized power supply output circuits 1 & 2 to turn on. Control Input #2 (TB4, Terminals 7 & 8) is connected to an FACP Notification Appliance Circuit which is used to activate the power supply's temporal output circuits 3 & 4.

*Note: All NACs are supervised and power-limited*



**Figure 5.3 Split Temporal Mode Application**

*Notes: The following notes apply to Figure 5.3 on page 28.*

1. When the FCPS-24FS power supply is in an inactive state (control module not active), a trouble on the power supply will result in an open circuit condition on the control module output circuit (monitored by End-of-Line Resistor across Terminals 5 & 6). As an alternative, the trouble contacts at TB5 of the power supply can also be used for independent trouble monitoring.
2. Do not loop wires under screw terminals. Break wires to maintain proper supervision.
3. An End-of-Line Resistor must be installed between terminals 5 & 6 for control module wiring supervision (the ELR value is dependent on the module employed) and across terminals 7 & 8 for FACP NAC wiring supervision (the ELR value is dependent on the NAC).
4. For a list of compatible devices, refer to the Device Compatibility Document.

### 5.4 Remote Supply With Resettable and Nonresettable Power

The FCPS-24FS can be used as a remote stand-alone power supply to provide power to any devices that require filtered, resettable or nonresettable power. The FCPS-24FS6 can provide up to 4 amps of continuous current and the FCPS-24FS8 can provide up to 6 amps of continuous current. The power supply must be set for Split Alarm mode. Output circuits 1 & 2 are configured as resettable power outputs by connecting the resettable power from an FACP to Control Input 1 Terminals 3(+) & 4(-) on TB4 of the FCPS-24FS. Output circuits 3 & 4 are configured as nonresettable power outputs by connecting jumpers between the auxiliary 24 VDC output on TB4 to the Control Input 2 terminals on TB4 [Terminals 9(+) to 7(+) and 1(-) to 8(-)].

*Note: All four outputs can be configured as resettable or all four can be configured as nonresettable by setting the power supply for General Alarm and then connecting a resettable power source to Control Input 1 or a nonresettable power source, such as the Aux. Power output of the FCPS-24FS, to Control Input 1.*

For addressable panel applications, an addressable monitor module can be used to monitor the trouble contact of the FCPS-24FS and the resettable power connection from the FACP using an End-of-Line power supervision relay. If the FCPS-24FS enters a trouble condition, the Normally Closed trouble contact will open and if the resettable power from the FACP is lost, the Normally Closed power supervision relay contact will open.

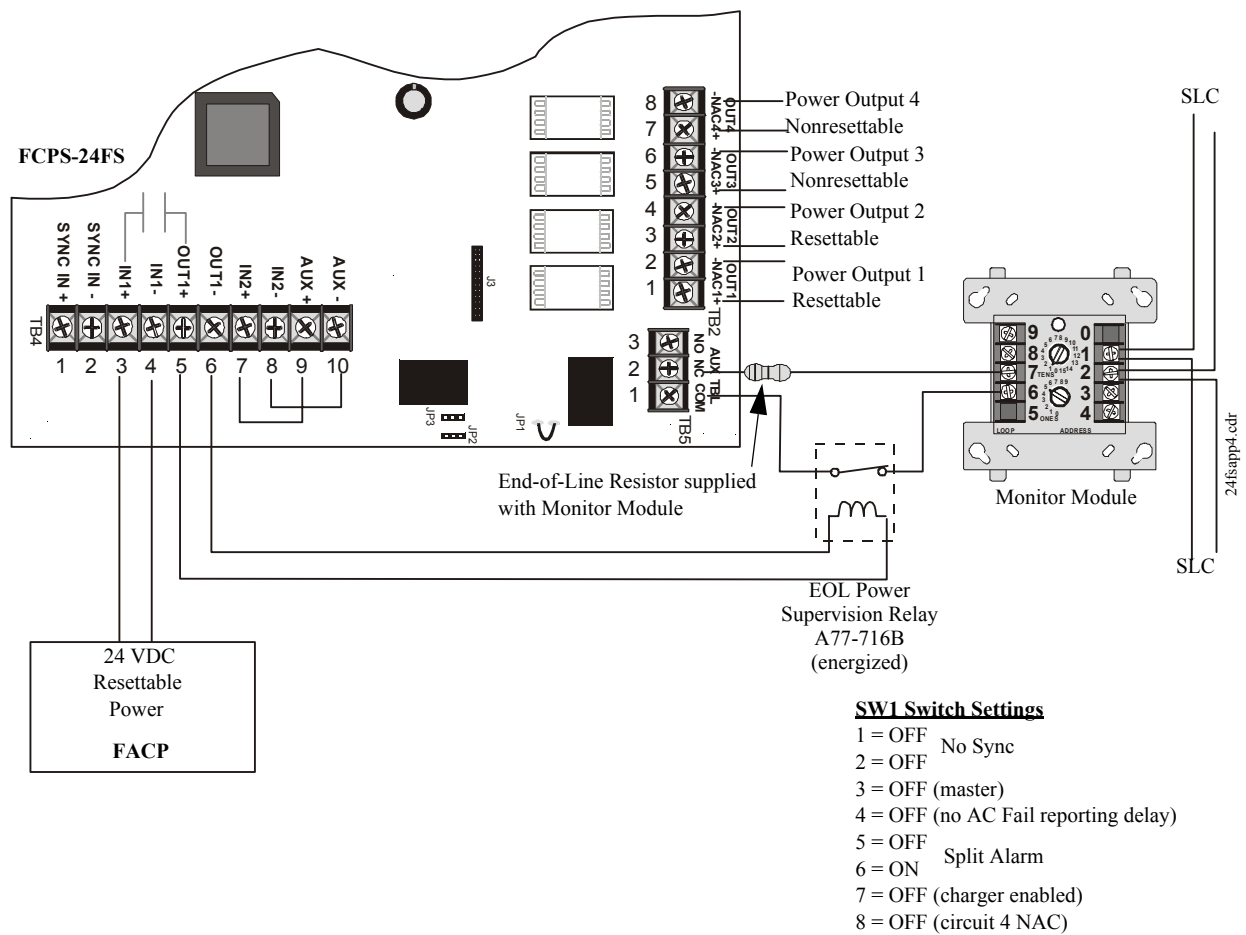


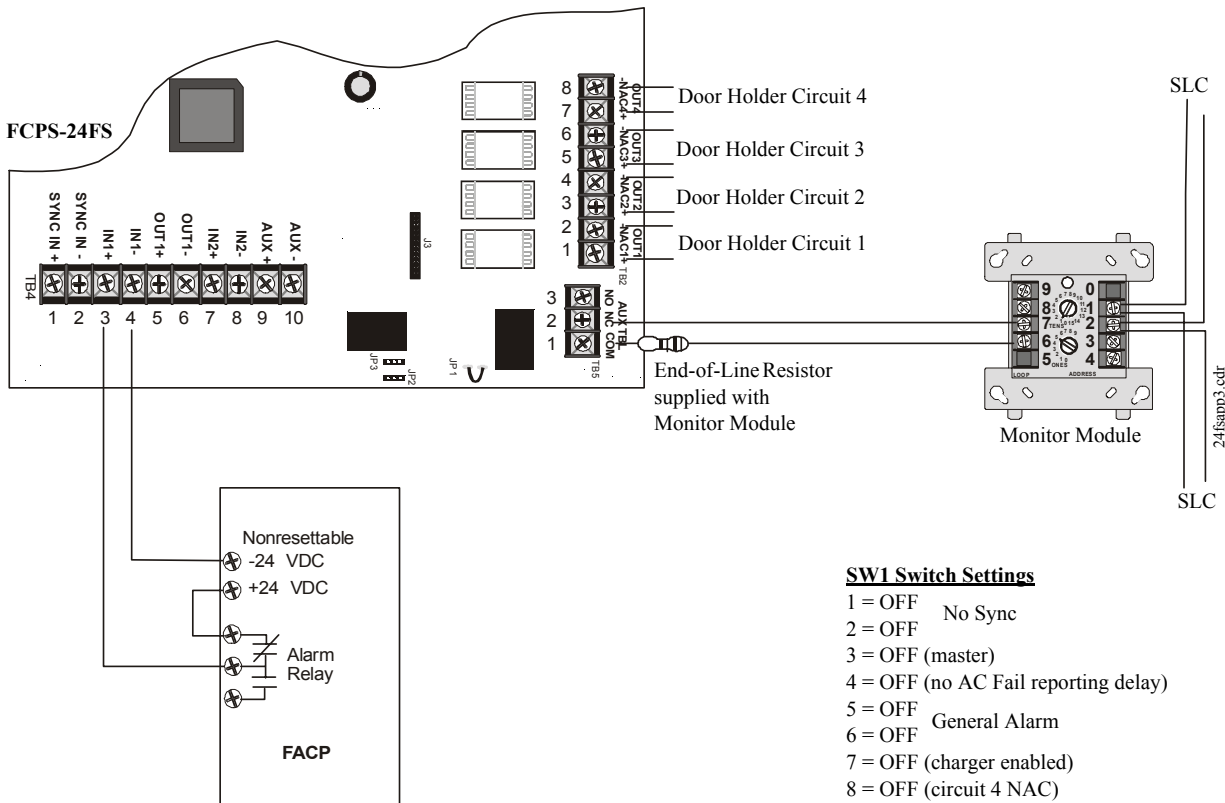
Figure 5.4 Remote Power Supply Application

*Notes: The following notes apply to Figure 5.4 on page 30.*

1. An End-of-Line Resistor must be installed between TB5, Terminal 1 (trouble relay common) and the monitor module input circuit for module wiring supervision (the ELR value is dependent on the module employed).
2. An End-of-Line power supervision relay must be connected between TB4, Terminals 5 & 6. The Normally Closed (when energized) power supervision relay contact must be in series with the End-of-Line Resistor referred to in note 1.
3. Do not loop wires under screw terminals. Break wires to maintain proper supervision.
4. For a list of compatible devices, refer to the Device Compatibility Document.

## 5.5 Door Release Service For All Four Outputs

This application illustrates the use of the FCPS-24FS to power 24 VDC door holders. The power supply must be set for General Alarm. A signal must be supplied from the FACP to activate the FCPS-24FS outputs. This signal should consist of a +24 VDC nonresettable source connected through the FACP Normally Closed alarm contacts. During normal (nonalarm) condition, the +24 VDC should be applied to the FCPS-24FS Control Input 1. This will result in the outputs of the power supply being activated which will in turn energize the door holders. When the FACP enters an alarm condition, the alarm contacts will open, removing the +24 VDC signal from the FCPS-24FS, causing the door holders to release. *It is important to note that, for this application, doors will close immediately on activation of an alarm condition. AC loss, however, will switch to batteries in sufficient time to prevent doors from closing.*



**Figure 5.5 Using the FCPS-24FS with 24 VDC Door Holders**

*Notes: The following notes apply to Figure 5.5.*

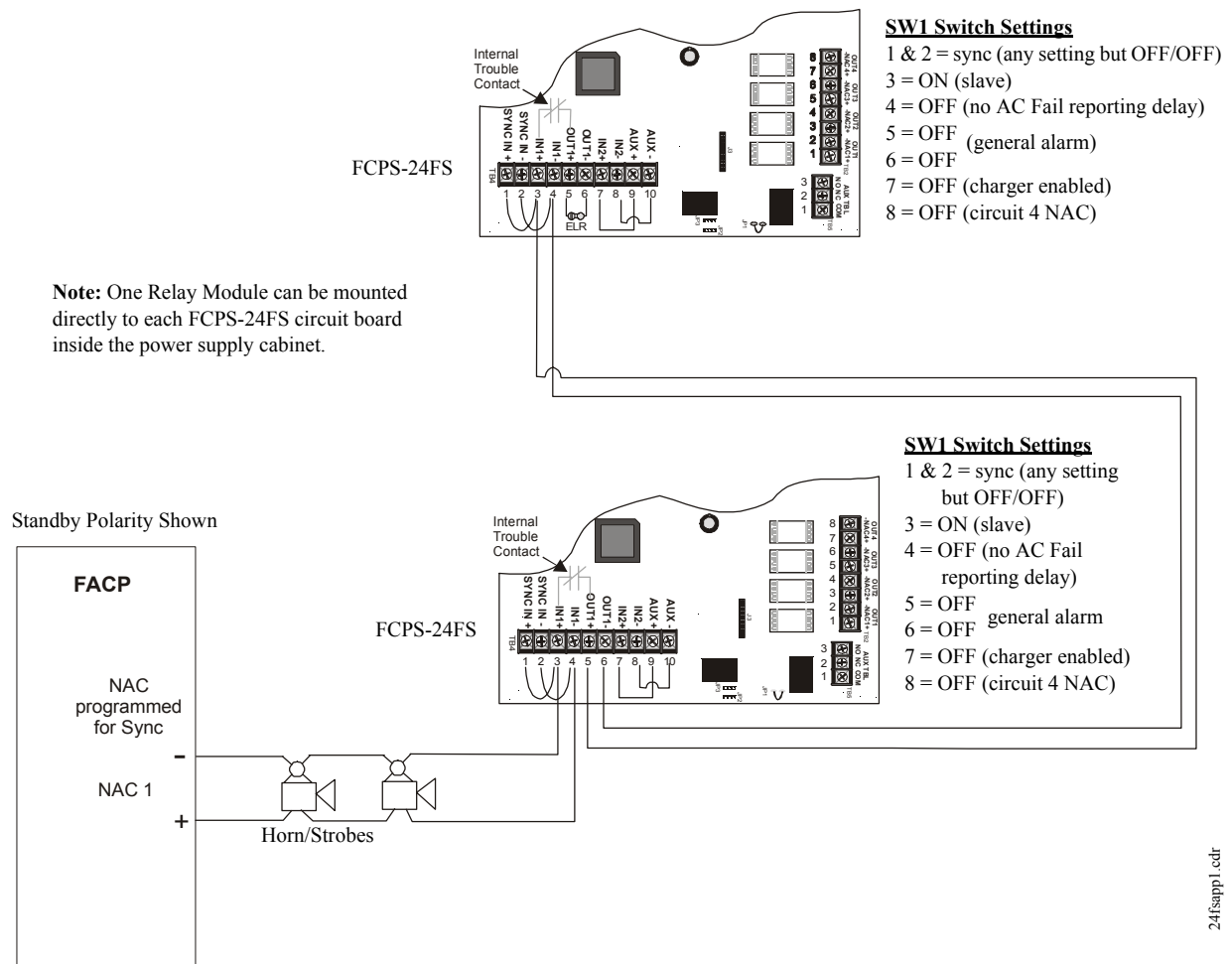
1. During a normal (nonalarm) condition, nonresettable +24 VDC should be applied to TB4, Terminal 3 (-24 VDC is applied directly to Terminal 4 from the FACP).
2. The Normally Closed alarm relay may consist of an actual relay in the FACP or a control module which may be mounted remotely or at the FACP.
3. A monitor module may be used to monitor the FCPS-24FS Trouble contacts at TB5. Any power supply trouble will cause the contacts to change states.
4. A maximum of 4.0 amps from the FCPS-24FS-6 and 6.0 amps from the FCPS-24FS8 may be drawn continuously for holding doors.
5. For a list of compatible devices, refer to the Device Compatibility Document.
6. An alarm condition will cause the doors to close immediately.



## 5.6 Multiple Synchronized FCPS-24FS Power Supplies

In this application, multiple FCPS-24FS power supplies, configured as Slave units, are connected to a master FACP NAC programmed for synchronized output. Each power supply should be set for synchronization which matches the FACP programming.

Note: FACP supplied selective silence function output will follow panel input.



**Figure 5.6 Supervised Master/Slave Connections**

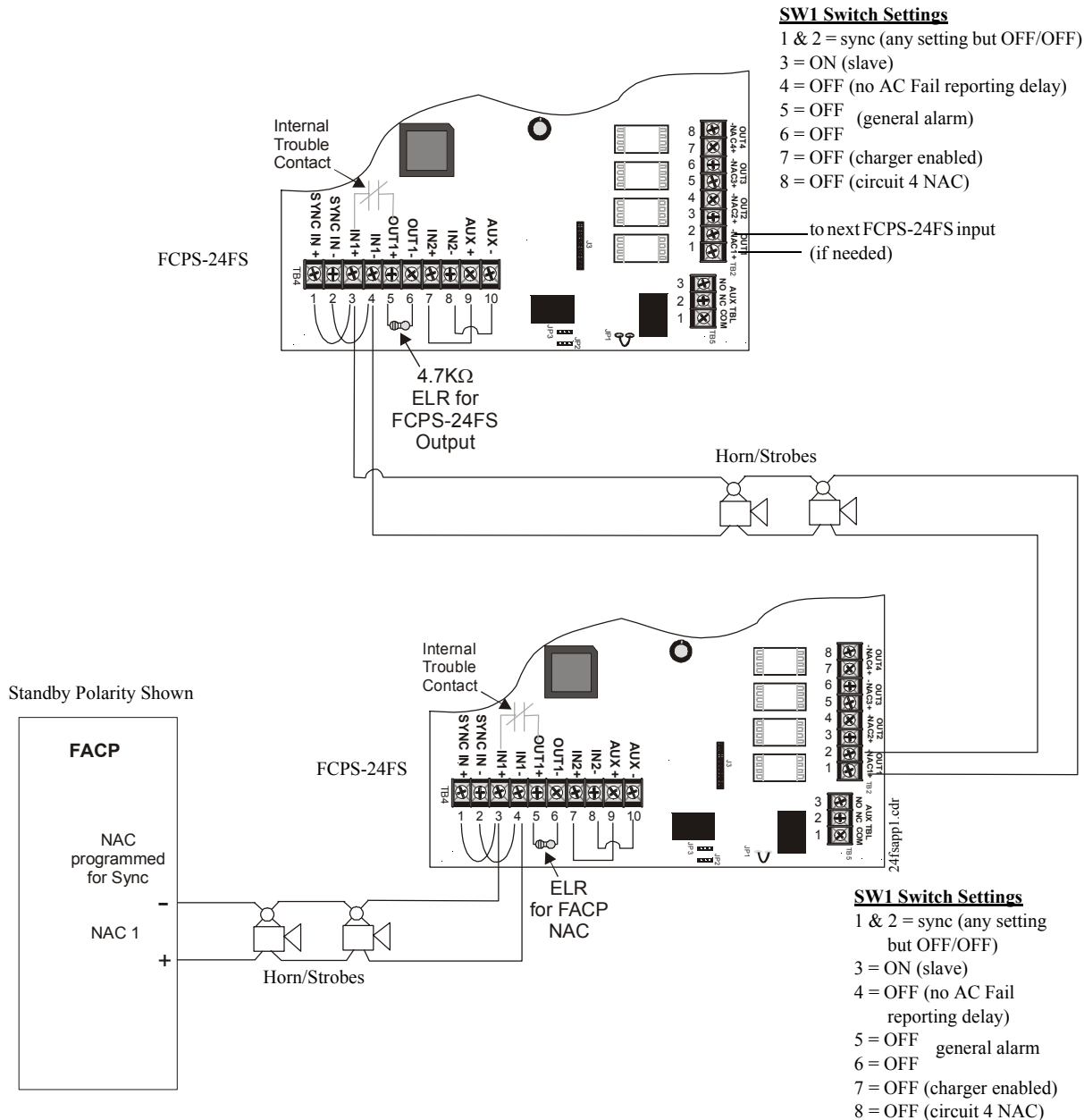
*Note: The following notes apply to Figure 5.6*

1. Refer to NFPA 72, Chapter 4-4, Visible Characteristics, Public Mode.
2. The NAC output devices from one power supply must be partitioned with walls and/or floors from the next power supplies and their NAC output devices.
3. Use only devices from the same manufacturer in each system.
4. Relay Modules programmed as silenceable points will selectively silence the notification appliances when its Normally Open contact (7 & 9) closes.

## 5.7 Multiple Cascaded & Synchronized FCPS-24FS Power Supplies

In this application, multiple FCPS-24FS power supplies, configured as Slave units, are cascaded from a power supply which is connected to a master FACP NAC programmed for synchronized output. Each power supply should be set for synchronization which matches the FACP programming. A maximum of ten cascaded supplies can maintain synchronization using System Sensor and Wheelock devices while a maximum of four can maintain synchronization using Gentex (Commander II) devices.

Note: FACP supplied selective silence function output will follow panel input.



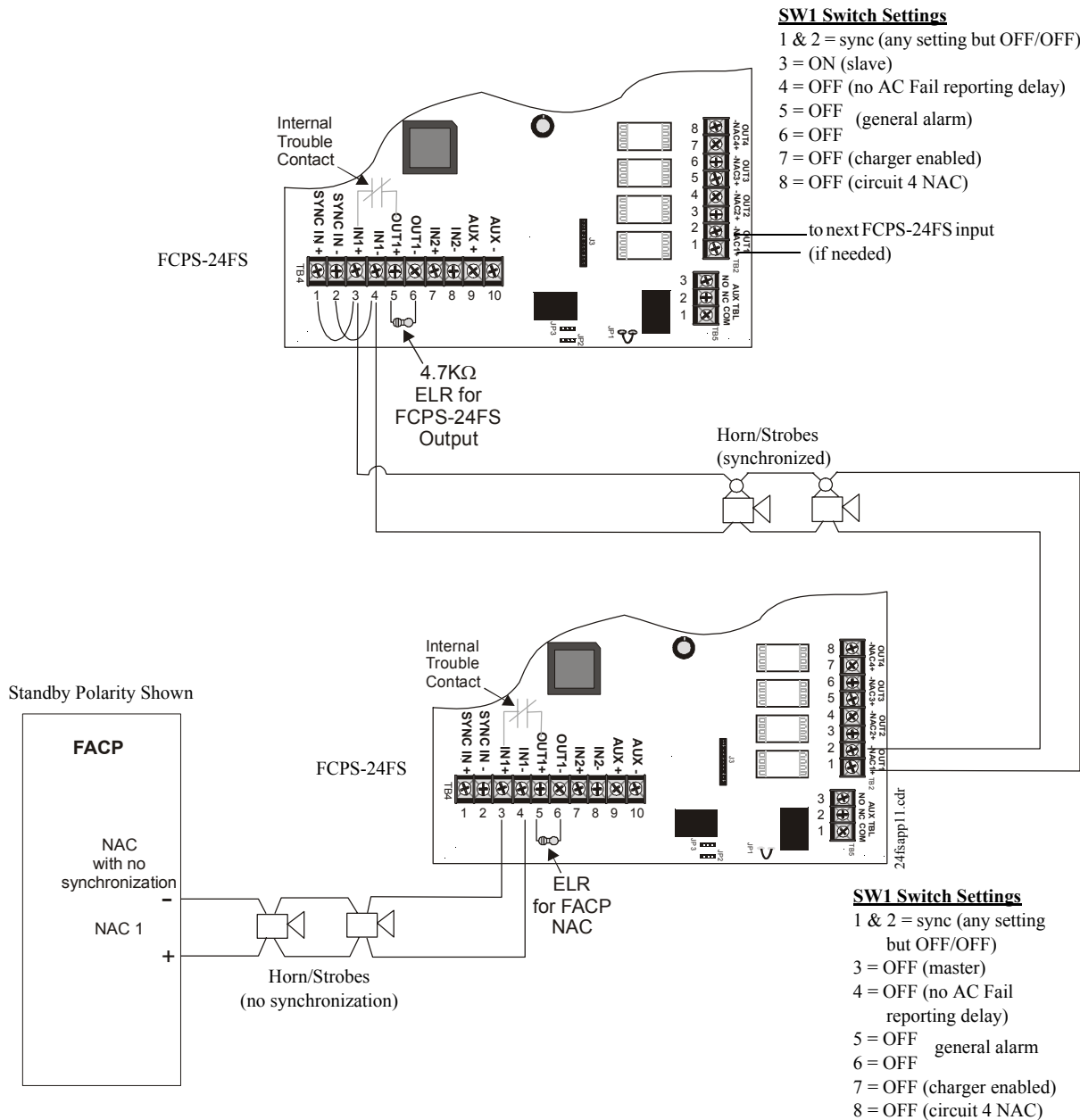
**Figure 5.7 Supervised Cascaded Connections**

*Note: The following notes apply to this illustration*

1. Refer to NFPA 72, Chapter 4-4, Visible Characteristics, Public Mode.
2. Use only devices from the same manufacturer in each system.

### 5.8 Cascaded FCPS-24FS Supplies from Nonsynchronized Source

In this application, multiple slave FCPS-24FS power supplies are cascaded from a master power supply which is connected to an FACP NAC with nonsynchronized output. Each power supply should be set for synchronization which matches the master power supply. A maximum of ten cascaded supplies can maintain synchronization using System Sensor and Wheelock devices while a maximum of four can maintain synchronization using Gentex (Commander II) devices.



**Figure 5.8 Supervised Cascaded Connections (nonsynchronized source)**

*Note: The following notes apply to this illustration*

1. Refer to NFPA 72, Chapter 4-4, Visible Characteristics, Public Mode.
2. Use only devices from the same manufacturer in each system.

## SECTION 6 Power Supply Requirements

### 6.1 Overview

This section contains instructions and tables for calculating power supply currents in alarm and standby conditions. This is a four-step process, consisting of the following:

1. Calculating the total amount of AC branch circuit current required to operate the system
2. Calculating the power supply load current for non-fire and fire alarm conditions and calculating the secondary (battery) load
3. Calculating the size of batteries required to support the system if an AC power loss occurs
4. Selecting the proper batteries for your system

### 6.2 Calculating the AC Branch Circuit

The power supply requires connection to a separate, dedicated AC branch circuit, which must be labeled **FIRE ALARM**. This branch circuit must connect to the line side of the main power feed of the protected premises. No other non-fire alarm equipment may be powered from the fire alarm branch circuit. The branch circuit wire must run continuously, without any disconnect devices, from the power source to the power supply. Overcurrent protection for this circuit must comply with Article 760 of the National Electrical Codes as well as local codes. Use 14 AWG (2.00 mm<sup>2</sup>) wire with 600 volt insulation for this branch circuit.

Use Table 6.1 to determine the total amount of current, in AC amperes, that must be supplied to the system

**Table 6.1 120 VAC Branch Circuit Requirements**

Device Type	Number of Devices		Current Draw (AC amps)		Total Current per Device
FCPS-24S	1	X	3.2	=	3.2
[ ]	[ ]	X	[ ]	=	
[ ]	[ ]	X	[ ]	=	
Sum Column for AC Branch Current Required				=	

## 6.3 Calculating the System Current Draw

### 6.3.1 Overview

The power supply must be able to power all internal and external devices continuously during the non-fire alarm condition. To calculate the non-fire alarm load on the power supply when primary power is applied, use Calculation Column 1 in Table 6.3 on page 38. The power supply must support a larger load current during a fire alarm condition. To calculate the fire alarm load on the power supply, use Calculation Column 2 in Table 6.3 on page 38. The secondary power source (batteries) must be able to power the system during a primary power loss. To calculate the non-fire alarm load on the secondary power source, use Calculation Column 3 in Table 6.3 on page 38.

When calculating current draw and the battery size, note the following:

- *Primary* refers to the main power source for the power supply
- *Secondary* refers to the power supply's backup batteries
- All currents are given in amperes (A). Table 6.2 shows how to convert milliamperes and microamperes to full amperes

**Table 6.2 Converting to Full Amperes**

To convert...	Multiply	Example
Milliamperes (mA) to amperes (A)	mA x 0.001	3 mA x 0.001 = 0.003 A
Microamperes (μA) to amperes (A)	μA x 0.000001	300 μA x 0.000001 = 0.0003 A

### 6.3.2 How to Calculate System Current Draw

Use Table 6.3 on page 38 to calculate current draws as follows:

1. Enter the quantity of devices in all three columns
2. Enter the current draw where required. Refer to the Fire-Lite Device Compatibility Document for compatible devices and their current draw
3. Calculate the current draws for each in all columns
4. Sum the total current for each column
5. Copy the totals from Column 2 and Column 3 to Table 6.3 on page 38

Following are the types of current that can be entered into Table 6.3 on page 38

- ✓ **Calculation Column 1** - The primary supply current load that the power supply must support during a non-fire alarm condition, with AC power applied
- ✓ **Calculation Column 2** - The primary supply current load the power supply must support during a fire alarm condition, with AC power applied
- ✓ **Calculation Column 3** - The standby current drawn from the batteries in a non-fire alarm condition during a loss of AC power

Table 6.3 contains three columns for calculating current draws. For each column, calculate the current and enter the total (in amperes) in the bottom row. When finished, copy the totals from Calculation Column 2 and Calculation Column 3 to Table 6.4 on page 39.

**Table 6.3 System Current Draw Calculations**

Device Type	Calculate Column 1 Primary, Non-Fire Alarm Current (amps)			Calculate Column 2 Primary, Fire Alarm Current (amps)			Calculation Column 3 Secondary, Non-Fire Alarm Current (amps)		
	Qty	X (current draw) =	Total	Qty	X (current draw) =	Total	Qty	X (current draw) =	Total
Main Circuit Board	1	X [ 0.091 ] =		1	X [ 0.145 ] =		1	X [ 0.065 ] =	
Power Supervision Relay	[ ]	X [ 0.025 ] =		[ ]	X [ 0.025 ] =		[ ]	X [ 0.025 ] =	
NAC/Output #1				[ ]	X [ ] =				
NAC/Output #2				[ ]	X [ ] =				
NAC/Output #3				[ ]	X [ ] =				
NAC/Output #4				[ ]	X [ ] =				
Current Draw from TB4 Terminals 9 & 10		[ ] =			[ ] =			[ ] =	
<b>Sum each column for totals</b>		<b>Primary Non-Alarm =</b>			<b>Primary Alarm =</b>			<b>Secondary Alarm =</b>	

## 6.4 Calculating the Battery Size

Use Table 6.4 to calculate the total Standby and Alarm load in ampere hours (AH). This total load determines the battery size (in AH) required to support the power supply under the loss of AC power. Complete Table 6.4 as follows:

1. Enter the totals from Table 6.3 on page 38, Calculation Columns 2 and 3 where shown
2. Enter the NFPA Standby and Alarm times. Refer to “NFPA Battery Requirements”
3. Calculate the ampere hours for Standby and Alarm, then sum the Standby and Alarm ampere hours
4. Multiply the sum by the derating factor of 1.2 to calculate the proper battery size (in AH)
5. Write the ampere hour requirements on the Protected Premises label located inside the cabinet door

**Table 6.4 Total Secondary Power Requirements at 24 VDC**

Secondary Standby Load (total from Table 6.3 Calculation Column 3) [            ]	Required Standby Time (24 or 60 hours) X [            ]	=	AH
Primary Alarm Load (total from Table 6.3 Calculation Column 2) [            ]	Required Alarm Time (for 5 min., enter 0.084, for 10 min., enter 0.168) X [            ]	=	AH
Sum of Standby and Alarm Ampere Hours		=	AH
Multiply by the Derating Factor		X 1.2	
Battery Size, Total Ampere Hours Required		=	AH

### 6.4.1 NFPA Battery Requirements

- NFPA 72 Local and Proprietary Fire Alarm Systems require 24 hours of standby power followed by 5 minutes in alarm
- NFPA 72 Central, Auxiliary and Remote Station Fire Alarm Systems require 60 hours of standby followed by 5 minutes in alarm. Batteries installed in a system powered by a generator need to provide at least 4 hours of standby power

### 6.4.2 Selecting and Locating Batteries

Select batteries that meet or exceed the total ampere hours calculated in Table 6.4. The power supply can charge batteries in the 7 AH to 18 AH range. The power supply cabinet is capable of housing batteries up to 7 AH. Batteries larger than 7 AH require the BB-17F or other UL listed external battery cabinet.

## Notes



# Index

## A

### AC

- Loss 6
- Loss Reporting Delay 23

### AC fail

- delay 19
- see also AC loss reporting delay 19

### AC loss

- reporting delay 19

### AC loss reporting

- delay 7

### AC power 9

- current 9
- LED 8
- voltage 9

### activation

- reverse polarity 6

### alarm condition 6

### applications 6

### Auxiliary Power 7, 9

- current 9
- voltage 9

### Auxiliary Power Control

- see also resettable or nonresettable power 20

## B

### backbox dimensions 13

### battery

- capacity 9
- charge current 9
- charger capacity 7
- float charge voltage 9
- fuse F1 9
- lead acid 7, 9
- maximum capacity 7
- see also secondary power 9
- trouble 6

### battery/charger trouble LED 8

## C

### cabinet

- see also backbox 13

### capacity

- battery 9

### charge current

- maximum 9

### charger trouble 6

- LED 8

### circuit board

- layout 10

### Class A Converter Module 14

- see also ZNAC-4 6

### Class B

- see also Style Y 6

### Coded Input 8

### Coded/Noncoded Input Selection 8

### coding

- NAC 6

### compatibility

### input circuit 6

### control circuit 6

- current 9
- see also input circuit 9
- voltage 9

### current

- maximum continuous 6
- maximum short term 7
- standby 9
- total continuous 9
- total short term 9

## D

### dimensions

- backbox 13

## E

### ELR

- installation 22
- see also End-of-Line Resistor 22

### End-of-Line Resistor

- see also ELR 22

## F

### faults 22

### FCPS-24FS6 6

### FCPS-24FS8 6

### Features 6

### filtered power 6

### float charge voltage 9

### Form-C

- see also Relay 7

## G

### ground fault 6

### ground fault detection 7, 8

- Jumper JP1 8

### ground fault LED 8

## I

### input

- current 9
- voltage 9

### input circuit 6

- activation 6
- compatibility 6
- see also control 9

### installation 12

## J

### JP1 Jumper

- ground fault detection 8

### JP2 Jumper

- Coded/Noncoded Input 8

### JP3 Jumper

- Coded/Noncoded Input 8

### Jumper

- JP1 ground fault detection 7, 8
- JP2 Coded/NonCoded Input 8
- JP3 Coded/Noncoded Input 8

## L

### LED

- AC power 8

# Index

- battery/charger trouble 8
- Charger Trouble 8
- Ground Fault 8
- NAC Trouble 8
- LED indicators 8

## M

- mounting
  - see also installation 12

## N

- NAC
  - activation 6
  - coding 6
  - see also Notification Appliance Circuit 6
  - supervision 22
- NAC Circuit Wiring 14
- NAC output
  - see also output circuit 9
- NAC style
  - see also NFPA Style 6
- NAC Trouble LED 8
- NACs 7
- NEC power-limited wiring requirements 16

- NFPA Style
  - see also Style 6

- nonalarm state 6
- Noncoded Input 8
- nonresettable power 20
- Notification Appliance Circuit
  - see also NAC 6

## O

- output
  - circuit types 9
  - maximum current 3.0 amps 9
- output circuit
  - current 9
  - maximum current 6
  - see also NAC output 9
  - Style 9
  - voltage rating 9
- output power 6

## P

- Power
  - nonresettable 6
  - resettable 6
- power supply
  - board layout drawing 10
  - connectors and jumpers 10
- power supply requirements 36
- powering supply 36
- power-limited 6
- power-limited wiring 16

## R

- relay
  - trouble 6, 7, 9, 23
- reporting delay
  - AC loss 23
- resettable power 20

## S

- secondary power
  - see also battery 9
- Specific Application Power
  - see also Auxiliary Power 9
- specifications 9
- Startup Procedure 7
- strobe synchronization 7
- Style
  - see also NFPA Style 6
- Style Y
  - see also Class B 6
- supervision 6
  - NAC 22
  - trouble 22
- synchronization
  - ADA compatible 6
  - selectable 7

## T

- trouble
  - supervision 22
- trouble relay 6, 7, 9, 23
  - contact rating 9
- trouble supervision 6
- troubles 22
  - power supply 6

## W

- wiring 7
  - AC power 9
  - power-limited 16

## Z

- ZNAC-4 14
  - see also Class A Converter Module 6

## ***Limited Warranty***

The manufacturer warrants its products to be free from defects in materials and workmanship for eighteen (18) months from the date of manufacture, under normal use and service. Products are date-stamped at time of manufacture. The sole and exclusive obligation of the manufacturer is to repair or replace, at its option, free of charge for parts and labor, any part which is defective in materials or workmanship under normal use and service. For products not under the manufacturer's date-stamp control, the warranty is eighteen (18) months from date of original purchase by the manufacturer's distributor unless the installation instructions or catalog sets forth a shorter period, in which case the shorter period shall apply. This warranty is void if the product is altered, repaired, or serviced by anyone other than the manufacturer or its authorized distributors, or if there is a failure to maintain the products and systems in which they operate in a proper and workable manner. In case of defect, secure a Return Material Authorization form from our customer service department. Return product, transportation prepaid, to the manufacturer.

This writing constitutes the only warranty made by this manufacturer with respect to its products. The manufacturer does not represent that its products will prevent any loss by fire or otherwise, or that its products will in all cases provide the protection for which they are installed or intended. Buyer acknowledges that the manufacturer is not an insurer and assumes no risk for loss or damages or the cost of any inconvenience, transportation, damage, misuse, abuse, accident, or similar incident.

THE MANUFACTURER GIVES NO WARRANTY, EXPRESSED OR IMPLIED, OF MERCHANTABILITY, FITNESS FOR ANY PARTICULAR PURPOSE, OR OTHERWISE WHICH EXTEND BEYOND THE DESCRIPTION ON THE FACE HEREOF. UNDER NO CIRCUMSTANCES SHALL THE MANUFACTURER BE LIABLE FOR ANY LOSS OF OR DAMAGE TO PROPERTY, DIRECT, INCIDENTAL, OR CONSEQUENTIAL, ARISING OUT OF THE USE OF, OR INABILITY TO USE THE MANUFACTURER'S PRODUCTS. FURTHERMORE, THE MANUFACTURER SHALL NOT BE LIABLE FOR ANY PERSONAL INJURY OR DEATH WHICH MAY ARISE IN THE COURSE OF, OR AS A RESULT OF, PERSONAL, COMMERCIAL, OR INDUSTRIAL USE OF ITS PRODUCTS.

This warranty replaces all previous warranties and is the only warranty made by the manufacturer. No increase or alteration, written or verbal, of the obligation of this warranty is authorized.



World Headquarters  
One Fire-Lite Place, Northford, CT 06472-1653 USA  
203-484-7161 • Fax 203-484-7118  
[www.firelite.com](http://www.firelite.com)

**ISO 9001**  
CERTIFIED  
ENGINEERING & MANUFACTURING  
QUALITY SYSTEMS