

Form No.
908459

552/553

Dynalift[®] Telescopic Boom Forklift



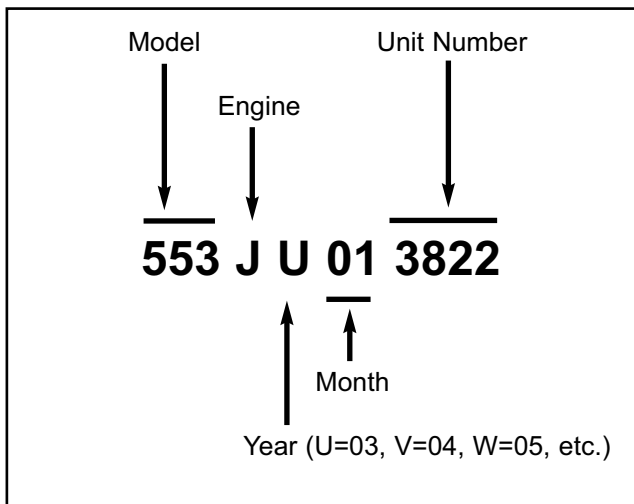
PARTS MANUAL

CEHL[®]

The table of contents pages show the page location of various component groups on the machine.

When ordering service parts, specify the correct part number, full description, quantity required, and the unit model and serial number.

Model and serial numbers for this unit are stamped on a plate located inside the operator's station. The serial number is also stamped on the top front frame. The following reference shows the breakdown of the serial number:



“Right” and “left” are determined from a position sitting on the seat and facing forward.

Gehl Company reserves the right to make changes or improvements in the design or construction of any part of the unit without incurring the obligation to install such changes on any unit previously delivered.

NOTE: *On original tire replacement, Company policy prohibits the sale of replacement tires for all Gehl machinery. Replacement wheel sets are available and tire size information is called out with the wheel sets to facilitate replacement tire selection. ALL REPLACEMENT TIRES MUST BE PURCHASED LOCALLY.*

Grease fittings and common attaching hardware, such as cotter pins, set screws, woodruff keys, screws, nuts, etc., are included in the parts list, indented below the part it is (they are) associated with, but may NOT be illustrated, except where a particular routing or special fastening arrangement MUST be maintained. The hardware listed is for mounting purposes and is NOT included when the part is ordered for replacement.

Part numbers for standard hardware are listed indented under the component being fastened.

A complete listing of part numbers for attaching washers/nuts used on this machine is included in the table on the facing page. Refer to the abbreviations list on the facing page for descriptions.

Standard attaching hardware torque values are provided on the inside back cover. Unless otherwise specified, all cap screws are Grade 5, cadmium or zinc plated; hexagon nuts for Grade 5 cap screws or bolts are Grade A.

List of Abbreviations Used in this Manual

AN	Acorn Nut
AR	As Required
ASY	Assembly
BHB	Button Head Bolt
CB	Carriage Bolt
CN	Castellated Nut
CYL	Cylinder
CS	Cap Screw (Hexagon Head)
DIA	Diameter
FHMS	Flat Head Machine
FLN	Flanged Flexlock Nut
FLS	Flanged Lock Screw
FT	Foot or Feet
GR	Grade
HLN	Hexlock Nut
HYD	Hydraulic
JN	Jam Nut
L	Lock (Washer)
LH	Left Hand
LT	Left
N	Nut (Plain Hex)
NIN	Nylon Insert Lock Nut
NPTF	National Pipe Threaded Fitting
P	Plain (Washer)
PB	Plow Bolt
PHS	Pan Head Screw
RH	Right Hand
RHMS	Round Head Machine Screw
RHSMS	Round Head Sheet Metal Screw
RNF	Retained Nut Fastener
RT	Right
SHCS	Socket Head Cap Screw
SHSS	Socket Head Set Screw
SFN	Serrated Flange Nut
SHSS	Square Head Set Screw
STS	Self-Thread Screw Hex. Washer Head
THMS	Truss-Head Machine Screw
TRS	Thread Roll Screw
W/	With
WN	Wing Nut

FILTER REFERENCE

TYPE	PART NUMBER
Engine Oil	
552; w/JD Engine S/N 1021 & Up	L99420
553; w/JD Nat.Eng. S/N 3917 & Up	
553; w/JD Turbo Eng S/N 3630 & Up	
552; w/JD Engine Thru S/N 1020.	L99476
553; w/JD Nat. Eng Thru S/N 3916	
553; w/JD Turbo Eng Thru S/N 3629	
With Perkins Engine.	L98601
Engine Fuel	
552; w/JD Engine S/N 1011 & Up	L99978
553; w/JD Engine S/N 3127 & Up	
552; w/JD Engine Thru S/N 1010.	L98600
553; w/JD Engine Thru S/N 3126	
With Perkins Engine	L98602
Engine Air	L120054
Transmission Oil	L99184
Hydraulic Oil	L97489

TABLE OF STANDARD WASHERS, NUTS

Size & Description	Part No.	Size & Description	Part No.
#10-32 N	L50050	7/16 L	L50150
		7/16-14 NIN	L50517
1/4 L	L50139	7/16 P	L50149
1/4-20 NIN	L520003		
1/4 P	L50137	1/2-13 NIN	L520019
1/4-20 SFN	L50051	1/2 P	L50151
5/16 L	L50143	5/8 L	L50156
5/16-18 N	L50230	5/8-11 N	L50081
5/16-18 NIN	L520004		
5/16 P	L50141	3/4-10 N	L50086
5/16-18 RNF	L530004	3/4-10 NIN	L50519
5/16-18 SFN	L50056	3/4 P	L50147
3/8-16 L	L50147	1-8 JN	L50145
3/8-16 N	L50066		
3/8-16 NIN	L520005		
3/8-16 P	L50145		
3/8-16 SFN	L50061		
3/8-16 WN	L530003		

	Page
INTRODUCTION	Inside Front Cover
List of Abbreviations1
Filter Reference Chart1
Table of Contents2
 DECALS	
General Information6
New Application6
Decal Locations7
 OPERATOR STATION	
Safety Guards, Windows and Cab12
Front and Rear Windows (552: S/N 1015 and Up ; 553: S/N 3368 and Up)14
Front and Rear Windows (552: Thru S/N 1014; 553: Thru S/N 3367)16
Windshield Wipers / Top and Front18
Side Door and Window20
Cab Mounts and Panels22
Steering Column Group (552: S/N 1057 and Up; 553: S/N 4519 and Up)24
Steering Column Group (552: Thru S/N 1056; 553: Thru S/N 4518)26
Seat Group28
Top Dash30
Under Dash32
Accelerator and Brake Pedals34
Heater (No Air Conditioning)36
Air Conditioning Group (w/Heater)38
 CHASSIS	
Frame Hoods and Covers (552: S/N 1015 and Up; 553: S/N 3340 and Up)40
Frame Hoods and Covers (552: Thru S/N 1014; 553: Thru S/N 3339)42
Hydraulic and Fuel Tanks44
Battery Group46
Lights48
 ENGINE	
External Engine Components Group50
Radiator and Cooler Group52
Engine Air Intake Group54
Engine Exhaust Group56
 TRANSMISSION	
External Transmission and Drive Shaft Group58
Internal Components60

	Page
AXLES	
External Components Group (552: S/N 1075 and Up; 553: S/N 4832 and Up)	62
External Components Group (552: Thru S/N 1074; 553: Thru S/N 4831)	64
Outer End Group (552: S/N 1075 and Up; 553: S/N 4832 and Up)	66
Outer End Group - Part I (552: Thru S/N 1074; 553: Thru S/N 4831)	68
Outer End Group - Part II (552: Thru S/N 1074; 553: Thru S/N 4831)	70
Differential Housing Group (552: S/N 1075 and Up; 553: S/N 4832 and Up)	72
Differential Group (552: S/N 1075 and Up; 553: S/N 4832 and Up)	74
Differential Housing Group - Part I (552: Thru S/N 1074; 553: Thru S/N 4831)	76
Differential Housing Group - Part II (552: Thru S/N 1074; 553: Thru S/N 4831)	78
Differential Housing Group - Part III (552: Thru S/N 1074; 553: Thru S/N 4831)	80
Brake Group (552: S/N 1075 and Up; 553: S/N 4832 and Up)	82
Brake Group (552: Thru S/N 1074; 553: Thru S/N 4831)	84
BOOM	
552-Outer Boom Section	86
552-Inner Boom Section	88
553-Outer Boom Section	90
553-Intermediate Boom Section	92
553-Inner Boom Section	94
Dynattach	96
HYDRAULIC SYSTEMS	
Hydraulic Pump, Tank and Flow Divider (552: S/N 1057 and Up; 553: S/N 4519 and Up)	98
Hydraulic Pump, Tank and Priority (552: Thru S/N 1056; 553: Thru S/N 4518)	100
Steer Motor and Steer Select Valve (552: S/N 1057 and Up; 553: S/N 4519 and Up)	102
Steer Motor and Steer Select Valve (552: Thru S/N 1056; 553: Thru S/N 4518)	104
Main Valve Group (552: S/N 1057 and Up; 553: S/N 4519 and Up)	106
Main Valve Group (552: Thru S/N 1056; 553: Thru S/N 4518)	108
Joystick Group (552: S/N 1057 and Up; 553: S/N 4519 and Up)	110
Joystick Group (552: Thru S/N 1056; 553: Thru S/N 4518)	112
Frame Level Group	114
Lift Cylinder Group	116
Tilt / Slave Cylinder Group	118
Boom Extend Cylinder Group	120
Auxiliary Hydraulics Group	122
HYDRAULIC COMPONENTS	
Hydraulic Pump Breakdown	124
Flow Divider Breakdown (552: S/N 1057 and Up; 553: S/N 4519 and Up)	125
Main Valve Hyd. Breakdown (552: S/N 1057 and Up; 553: S/N 4519 and Up)	126
Main Valve Breakdown (552: Thru S/N 1056; 553: Thru S/N 4518)	128
Priority Valve/Flow Divider Breakdown (552: Thru S/N 1056; 553: Thru S/N 4518)	129
(Continued on next page)	

	Page
HYDRAULIC COMPONENTS (CONTINUED)	
Frame Level Valve Breakdown (552: Thru S/N 1056; 553: Thru S/N 4518)	130
Auxiliary Hydraulics Work Section Breakdown (552: S/N 1057 and Up; 553: S/N 4519 and Up) . .	126
Auxiliary Hydraulics Valve Breakdown (552: Thru S/N 1056; 553: Thru S/N 4518)	131
Steer Cylinders Breakdown	132
Steer Valve Breakdown	133
Steer Motor Breakdown	134
Brake Valve Breakdown	135
Joystick Breakdown (552: S/N 1057 and Up; 553: S/N 4519 and Up)	136
Auxiliary Hydraulic Joystick Breakdown (552: S/N 1057 and Up; 553: S/N 4519 and Up)	138
Joystick Breakdown (552: Thru S/N 1056; 553: Thru S/N 4518)	140
Auxiliary Hydraulic Joystick Breakdown (552: Thru S/N 1056; 553: Thru S/N 4518)	142
Dual Relief Valve Breakdown (552: S/N 1042 and Up; 553: S/N 4207 and Up)	144
Dual Relief Valve Breakdown (552: Thru S/N 1041; 553: Thru S/N 4206)	145
Frame Level Cylinder Breakdown	146
Lift Cylinder Breakdown	148
Slave Cylinder Breakdown	150
Tilt Cylinder Breakdown	152
Boom Extend Cylinder Breakdown	154
Fork Shift Carriage Cylinder Breakdown	156
Rotate Carriage Cylinder Breakdown	157
ATTACHMENTS	
Standard Carriage Attachment Group	158
Shift Fork Carriage Attachment Group	160
Rotate Carriage Attachment Group	162
Boom Attachment Group	164
Bucket Attachment Group	166
NUMERICAL INDEX	
Numerical Index List	168



CAUTION

ALWAYS read and follow the safety precautions on decals. Replace decals if they are damaged, or if the unit is repainted. If repainting, **BE SURE** that all applicable decals are affixed in their proper locations.

GENERAL INFORMATION

Decal Locations information is provided to assist in the proper selection and application of new decals, in the event the original decal(s) become(s) damaged or the machine is repainted.

For correct replacement of decal(s) compare the location illustrations to your machine before starting to refinish the unit. Check-off each required decal using the illustration reference number to find the part number, description and quantity in the list. Refer to the appropriate illustration(s) for replacement location(s).

NEW DECAL APPLICATION

Before applying the new decals, surfaces must be free from dirt, dust, grease and other foreign material. To apply a solid-formed decal, remove the smaller portion of the decal backing paper and apply this part of the exposed adhesive backing to the clean surface while maintaining proper position and alignment. Slowly peel off the other portion of the backing paper while applying hand pressure to smooth-out decal surface. To apply a die-cut decal, first remove the backing paper.

Then, properly orient and position the decal onto the clean mounting surface. After the decal is firmly applied and smoothly pressed down, remove the front covering paper.

PAINT FINISH

Use this list to order paint for refinishing:

552: Thru S/N 1007; 553: Thru S/N 3062:

903891	6-12 oz Industrial Yellow
906317	6-12 oz Black

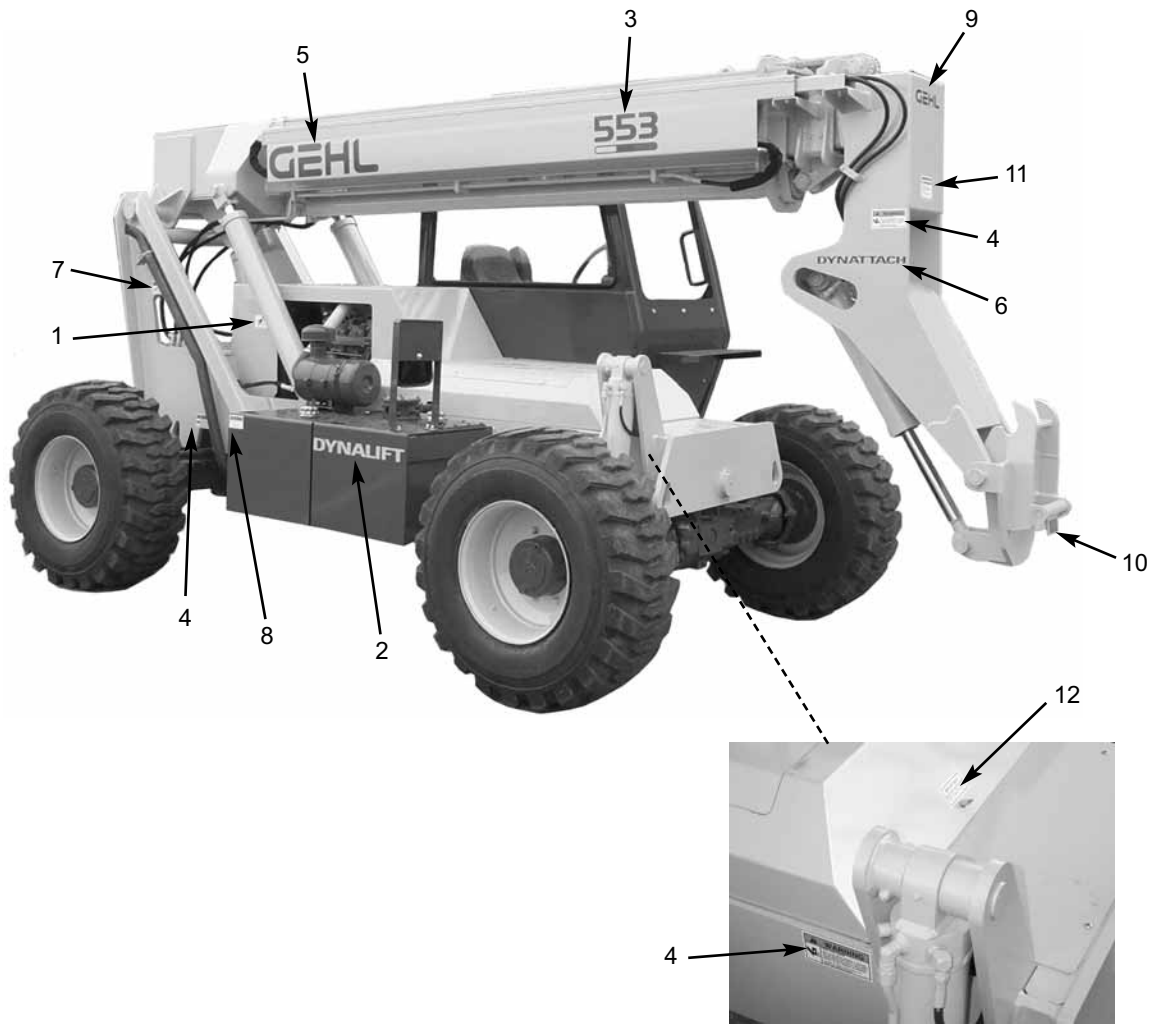
552: S/N 1008 & Up; 553: S/N 3063 & Up:

906213	One Gal. Yellow
906317	One Gal. Charcoal Grey
906323	One Qt. Charcoal Grey
906214	6 (12 oz. Spray Cans) Yellow
906318	6 (12 oz. Spray Cans) Charcoal Grey

Decal Kits

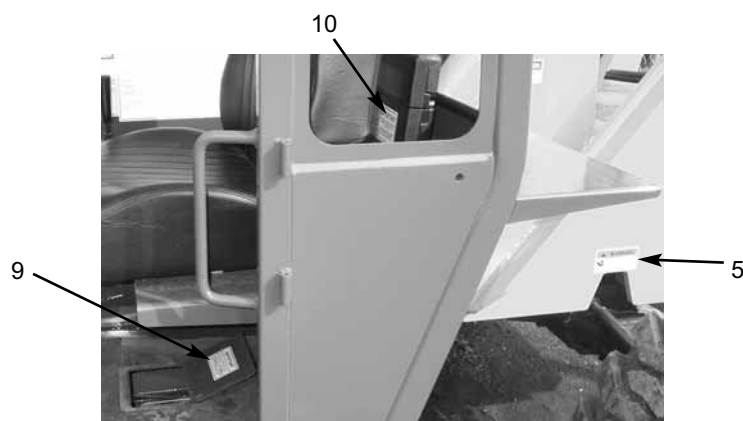
L98556 thru S/N 1007 Model 552
 L98863 S/N 1008 & up Model 552
 L98557 thru S/N 3062 Model 553
 L98864 S/N 3063 & up Model 553

NOTE: *Decals may be purchased in kits or individually.*



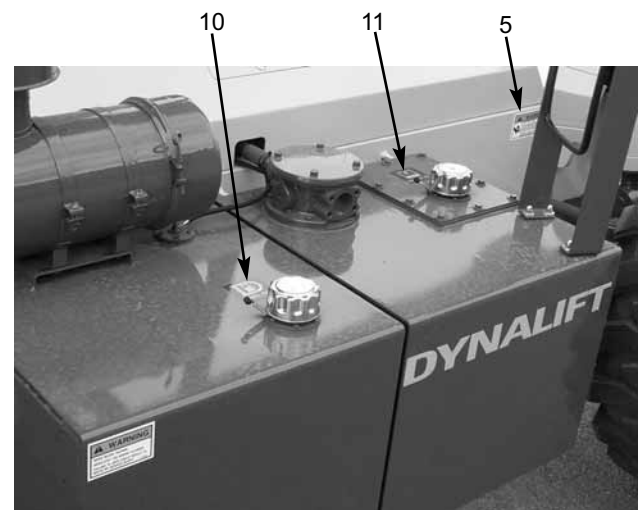
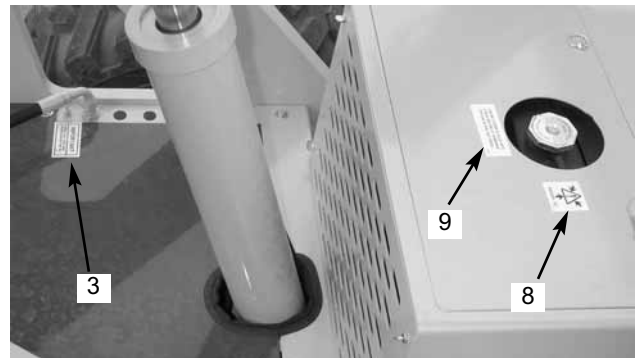
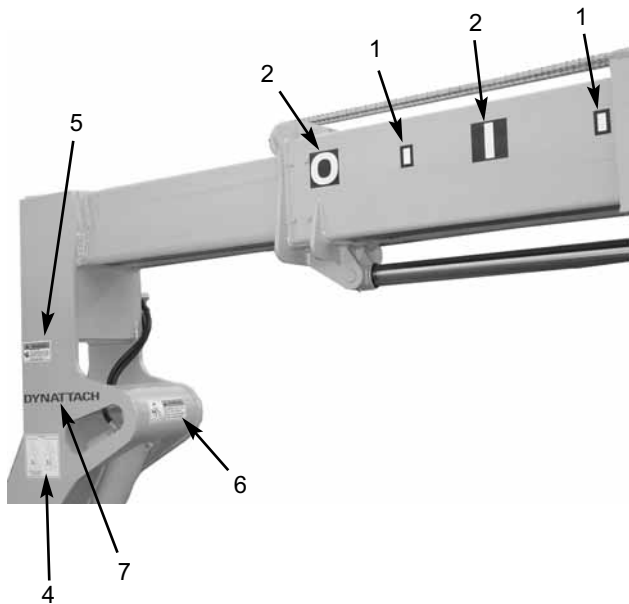
DECAL LOCATIONS - RIGHT SIDE OF MACHINE

REF. NO.	DESCRIPTION	552	553
01	DANGER - ROTATING FAN	L65924	L65924
02	DYNALIFT	L66568	L66568
03	552	L66585	---
03	553	---	L66581
04	WARNING - PINCH POINT	L65927	L65927
05	GEHL 6.38"	122288	122288
06	DYNATTACH 1-1/2"	L66569	L66569
07	WARNING - HOT SURFACE	L65942	L65942
08	WARNING - NO RIDERS	L65932	L65932
09	GEHL 2"	L66584	L66584
10	DYNATTACH UNLOCK RED STRIPE	L66613	L66613
11	DANGER - PERSONNEL	L65928	L65928
12	GREASE DAILY	L65920	L65920



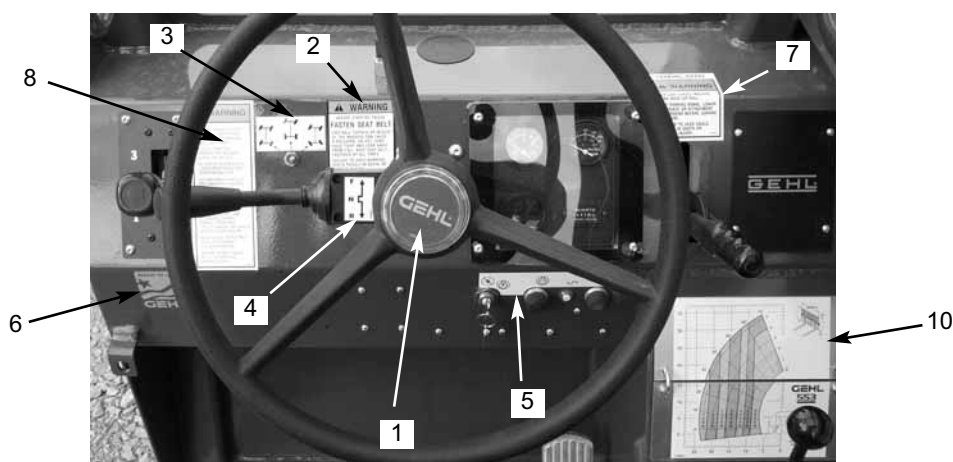
DECAL LOCATIONS - LEFT SIDE OF MACHINE

REF. NO.	DESCRIPTION	552	553
01	DANGER - ROTATING FAN	L99863	L98864
02	GEHL 4.5"	L66565	L66565
03	DYNALIFT	L66568	L66568
04	552	L66585	---
04	553	---	L66581
05	WARNING - PINCH POINT	L65927	L65927
06	WARNING - NO RIDERS	122288	122288
07	WARNING - JUMP START	L65933	L65933
08	GEHL 6.38"	L65932	L65932
09	BRAKE FLUID LEVEL	L63474	L63474
10	OPERATOR MANUAL INSIDE	L65922	L65922



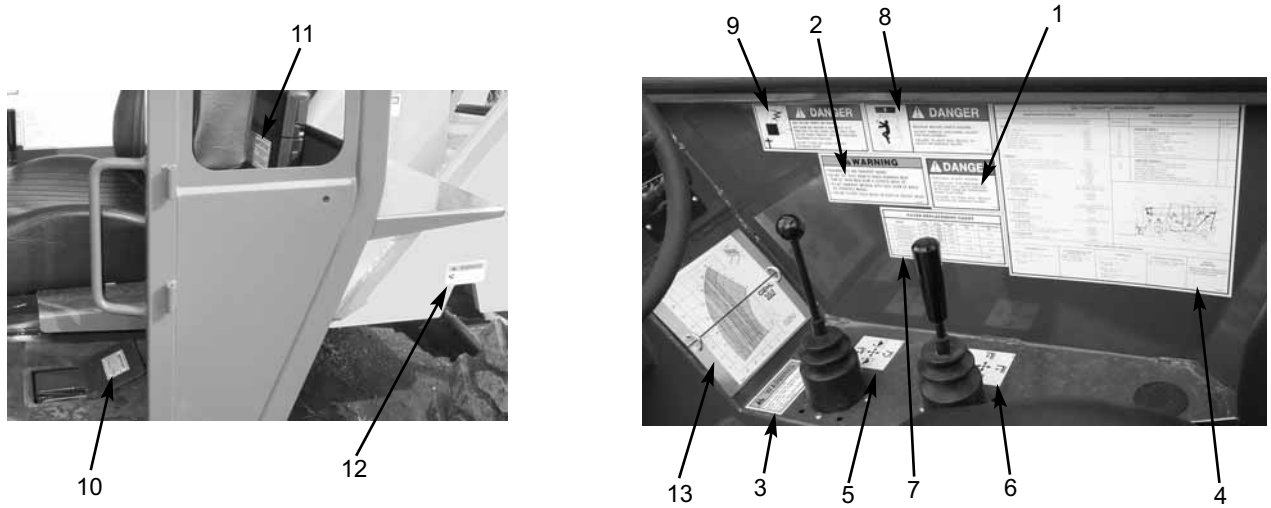
DECAL LOCATIONS

REF. NO.	DESCRIPTION	552	553
01	HALF ZONE EXTENSION MARKER	L62583 (3 ea.)	L62583 (5 ea.)
02	NO. "0" EXTENSION MARKER	---	L67718
02	NO. "1" EXTENSION MARKER	L67719	L67719
02	NO. "2" EXTENSION MARKER	L67720	L67720
02	NO. "3" EXTENSION MARKER	---	L67721
02	NO. "4" EXTENSION MARKER	---	L67722
02	NO. "5" EXTENSION MARKER	---	L67723
03	GREASE DAILY	L65920	L65920
04	DYANTTACH DIAGRAM	L65937	L65937
05	WARNING - PINCH POINT	L65927	L65927
06	WARNING - CARRY LOAD LOW	L65926	L65926
07	DYNATTACH - 1 1/2"	L66569	L66569
08	COOLANT UNDER PRESSURE	072798	072798
09	ANTI-FREEZE NOTE	056859	056859
10	DIESEL FUEL	072797	072797
11	HYDRAULIC OIL	072794	072794



DECAL LOCATIONS - DETAILS IN OPERATOR STATION

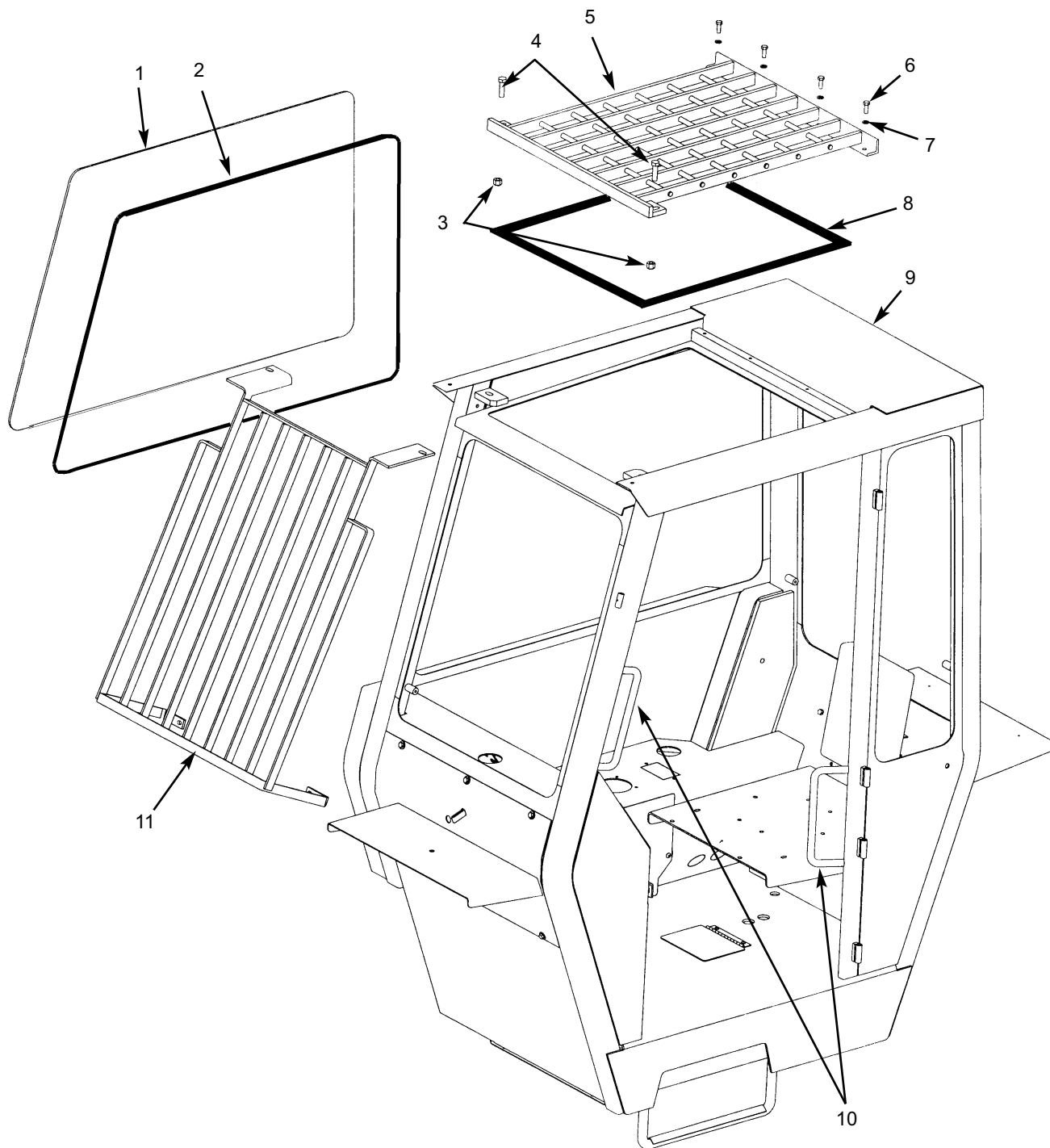
REF. NO.	DESCRIPTION	552	553
01	GEHL 2.0" DIA.	L65224	L65224
02	WARNING - SEAT BELT	L65440	L65440
03	STEER SELECTOR	L63618	L63618
04	F-N-R CONTROL	L68295	L68295
05	IGNITION/HORN (w/o Pushbutton Start)	L68052	L68052
05	IGNITION/HORN (Perkins Engine only)	L63692	L63692
05	IGNITION/HORN (w/ Pushbutton Start)	L68513	L68513
06	MADE IN USA	094951	094951
07	WARNING - PARK BRAKE	L65925	L65925
08	WARNING - OPERATOR	L63690	L63690
09	WARNING CARRY LOAD LOW	093475	093475
10	LOADCHART-ROTATING CARRIAGE	L63437	---
10	LOADCHART-TRUSS BOOM	L63454	---
10	LOADCHART-STANDARD CARRIAGE	L63661	---
10	LOADCHART-BUCKET	L63926	---



DECAL LOCATIONS - DETAILS IN OPERATOR STATION

REF. NO.	DESCRIPTION	552	553
01	DANGER - PERSONNEL	L65928	L65928
02	WARNING - TRUSS BOOM	L66042	L66042
03	WARNING - MACHINE LEVEL	L65930	L65930
04	MAINTENANCE CHART	L63542	L63542
05	TILT/LEVEL CONTROL	L63632	L63632
06	BOOM CONTROL	L63631	L63631
07	FILTER CHART	L68084	L68084
08	DANGER - PANEL IN PLACE	L65948	L65948
09	DANGER - POWER LINES	L65929	L65929
10	BRAKE FLUID LEVEL	L63474	L63474
11	OPERATOR MANUAL INSIDE	L65922	L65922
12	WARNING - PINCH POINT	L65927	L65927
13	LOADCHART-STANDARD CARRIAGE	---	L68671
13	LOADCHART-ROTATING CARRIAGE	---	L68672
13	LOADCHART-TRUSS BOOM	---	L68673
13	LOADCHART-BUCKET	---	L68674
13	LOADCHART-WINCH	---	L68675

Safety Guards and Windows

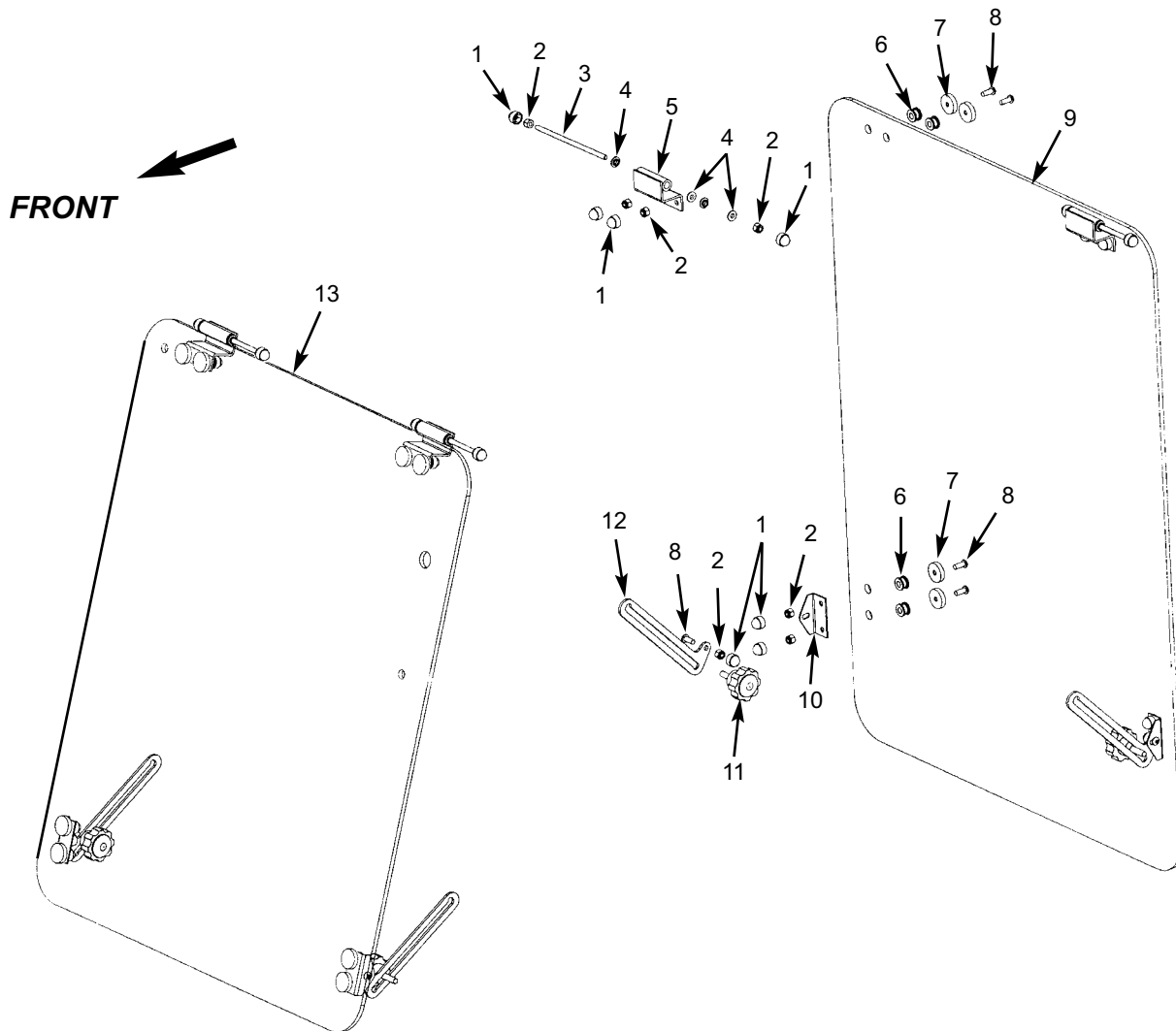


Safety Guards and Windows

Ref. No.	Part No.	Description	Qty. Req.	Ref. No.	Part No.	Description	Qty. Req.
01		GLASS, RIGHT SIDE.	1	09		CANOPY WELDMENT (CAB).	1
	L67282	<i>See note a</i>			L68784	<i>See note c</i>	
	L63739	<i>See note b</i>			L68510	<i>See note d</i>	
02 ^a	L99137	GASKET, SINGLE (12.5').	1		L68315	<i>See note e</i>	
02 ^b	L63529	GLASS PRIMER.	AR	10	L63700	GRAB HANDLE (<i>welded on</i>)	2
	L63530	GLASS PRIMER.	AR	11	L67865	FRONT WINDOW GUARD.	1
	L63531	METAL PRIMER	AR				
	L63532	GLASS ADHESIVE	AR				
	L63896	APPLICATION INSTR.	1	a		552: S/N 1015 & Up 553: S/N 3368 & Up	
03	L520019	1/2"-13 NYLON INSERT NUT.	2				
04	L50286	1/2"-13X1-3/4" BOLT	2	b		552: Thru S/N 1014 553: Thru S/N 3367	
05	L63725	OVERHEAD GUARD, WLDMNT	1				
06	L50367	3/8"-16X1" BOLT	4				
07	L50147	3/8" LOCK WASHER	4	c		552: S/N 1057 & Up 553: S/N 4519 & Up	
08	L63737	GLASS, TOP	1				
	L71393	PRIMER, GLASS ADHESIVE	1	d		552: S/N 1015 - 1056 553: S/N 3368 - 4518	
	L71392	ADHESIVE, GLASS	1	e		552: Thru S/N 1014 553: Thru S/N 3367	

Front and Rear Windows

(552: S/N 1015 and Up; 553: S/N 3368 and Up)

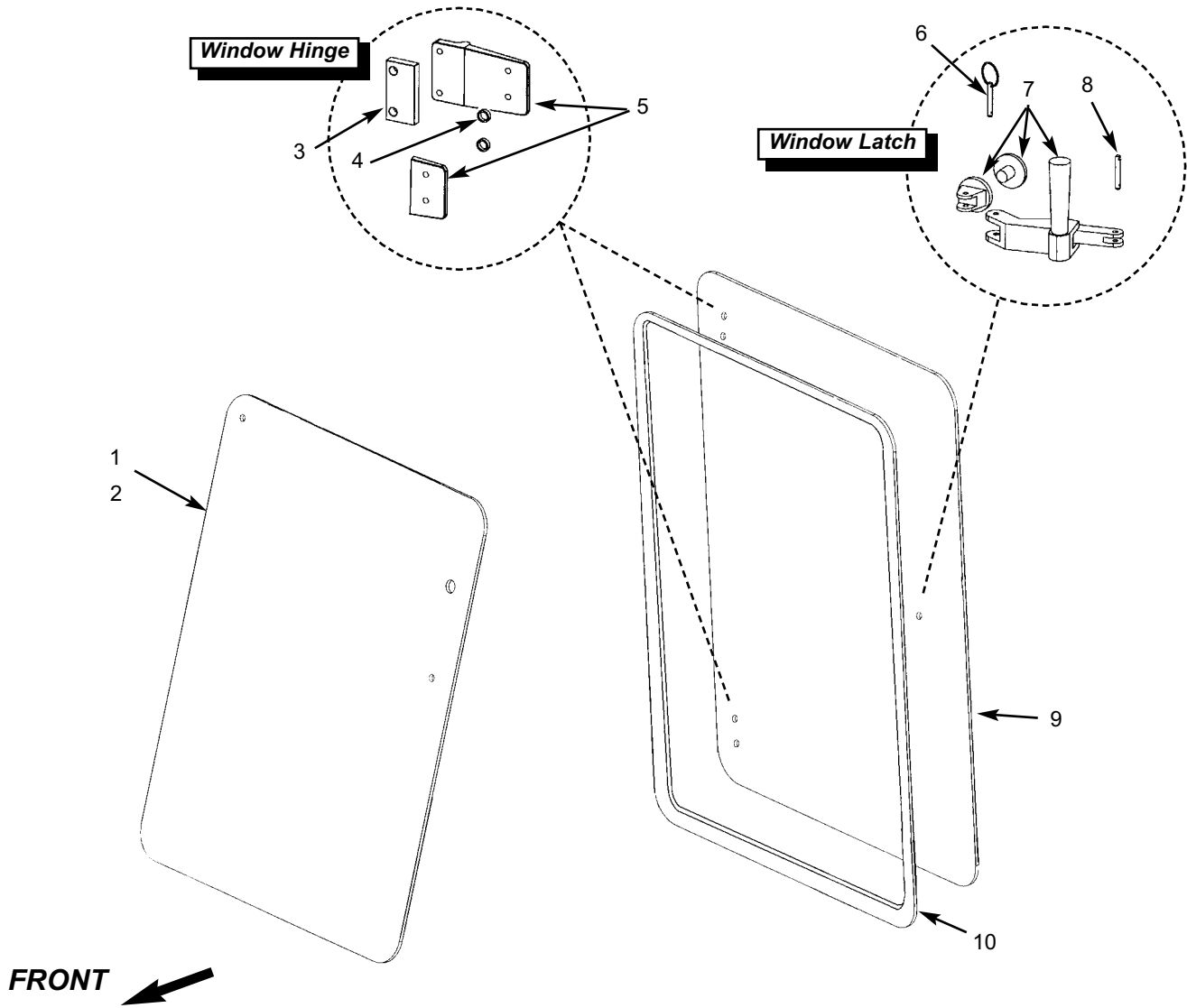


Front and Rear Windows

(552: S/N 1015 and Up; 553: S/N 3368 and Up)

Ref. No.	Part No.	Description	Qty. Req.	Ref. No.	Part No.	Description	Qty. Req.
01	L68438	BOLT CAP	28	09	L67858	REAR GLASS (tilt-out window)	1
02	L520003	1/4-20 NYLON INSERT NUT	28		L99325	VINYL BULB SEAL (127")	1
03	L68466	WINDOW PIVOT ROD	4		L68465	REAR GLASS (fixed window)	1
04	L68437	SHOULDER WASHER	16		L99314	GASKET (132")	1
05	L67815	WINDOW HINGE WELDMENT	4	10	L67811	WINDOW BRACKET	4
06	L67832	RUBBER GROMMET	16	11	L67809	WINDOW SLIDE KNOB	4
07	L67813	SCREW HEAD COVER	16	12	L67804	WINDOW SLIDE BRACKET	4
08	L50202	1/4-20X5/8" BUTTON HD BOLT . .	20	13	L67821	FRONT GLASS	1
					L99324	VINYL BULB SEAL (118")	1

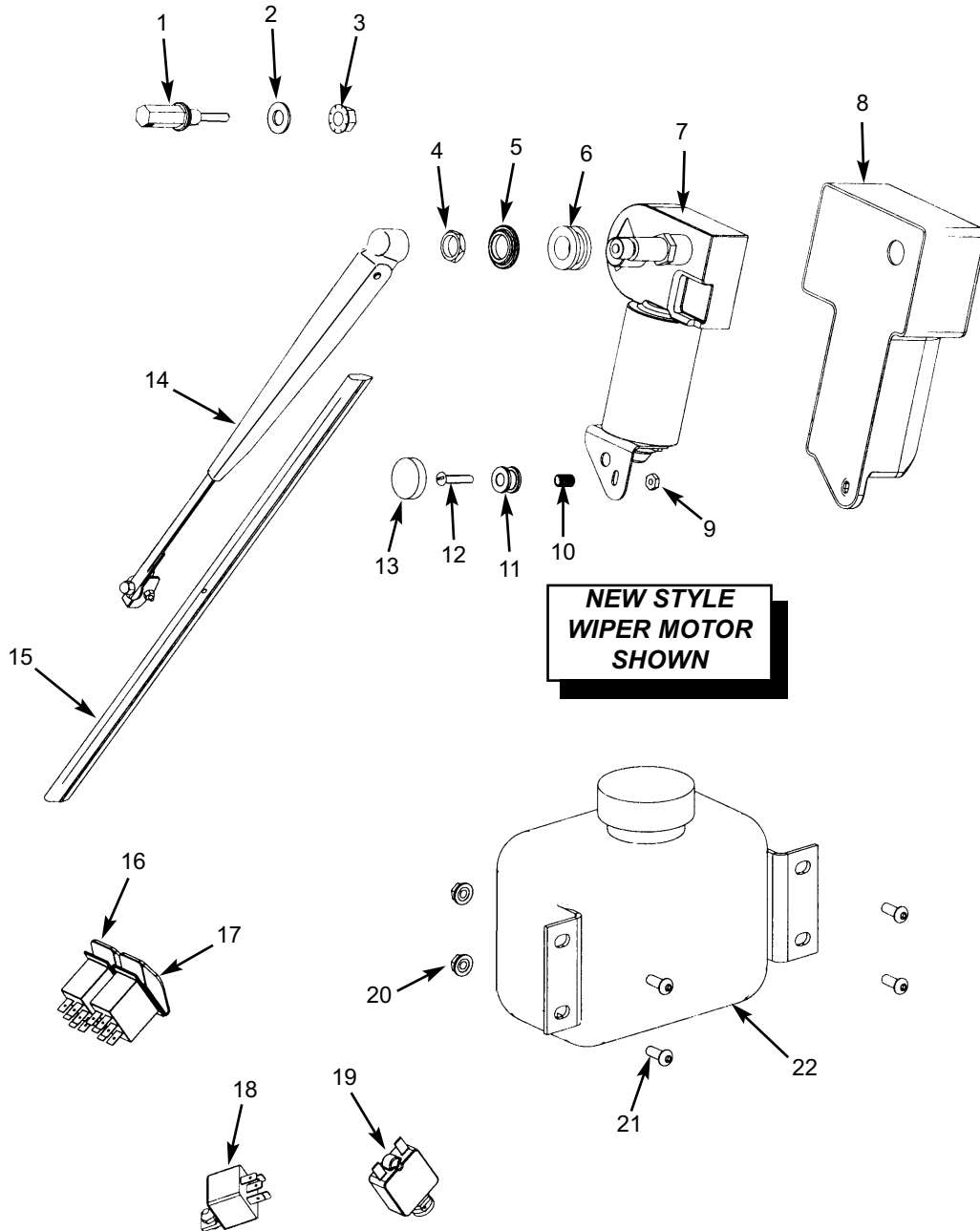
Front and Rear Windows
(552: Thru S/N 1014; 553: Thru S/N 3367)



Front and Rear Windows*(552: Thru S/N 1014; 553: Thru S/N 3367)*

Ref. No.	Part No.	Description	Qty. Req.	Ref. No.	Part No.	Description	Qty. Req.
01	L63740	FRONT WINDOW GLASS	1	06	L63563	RELEASE PIN	1
02	L71393	PRIMER, GLASS ADHESIVE	1	07	L63560	REAR LATCH	1
	L71392	ADHESIVE, GLASS	1	08	L50629	ROLL PIN 3/16X9/16	1
03	L63946	HINGE SPACER	2	09	L63738	REAR WINDOW GLASS	1
04	L63132	PLASTIC SPACER	4	10	L99315	GASKET (129")	1
05	L63727	HINGE	2				

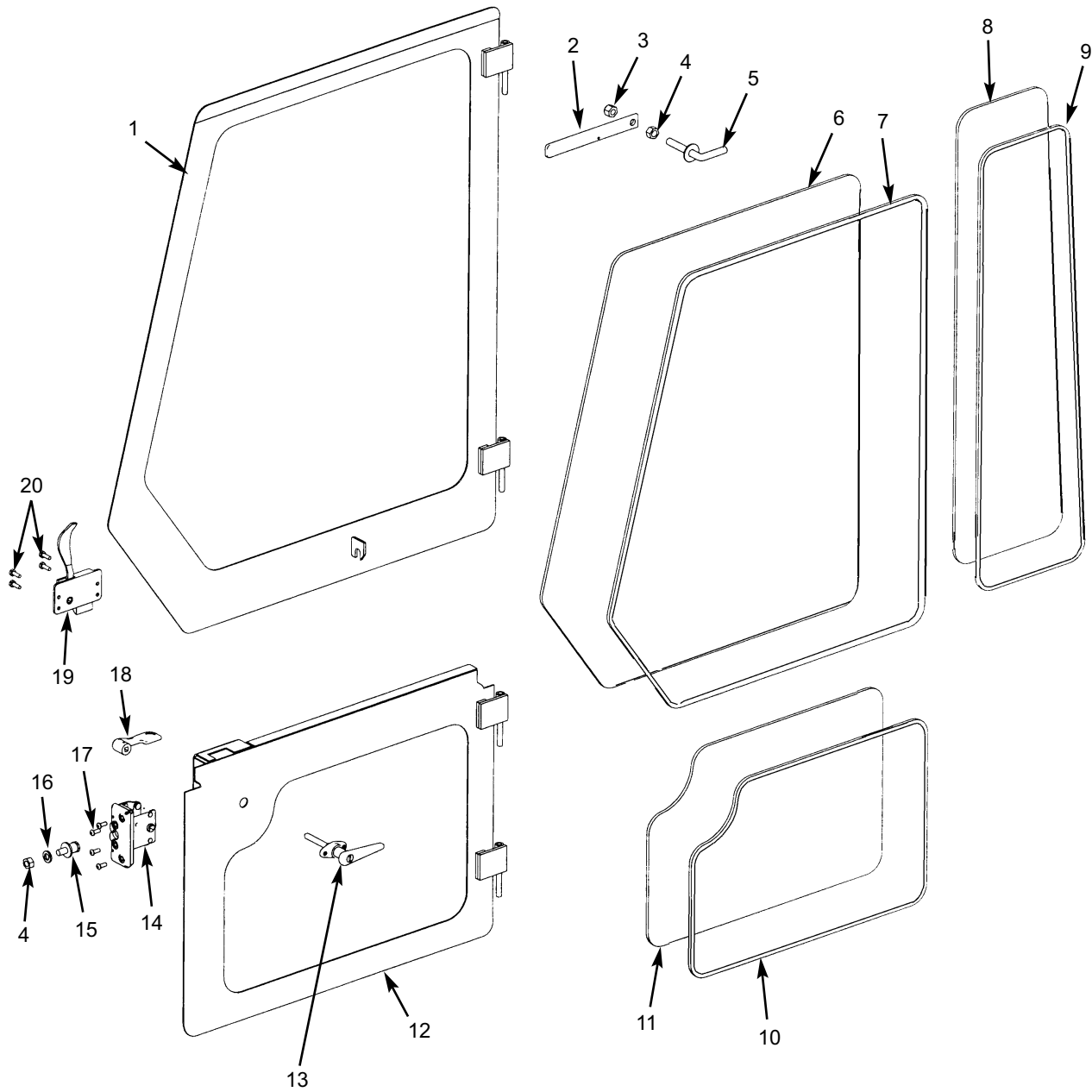
Windshield Wipers / Top and Front



Windshield Wipers / Top and Front

Ref. No.	Part No.	Description	Qty. Req.	Ref. No.	Part No.	Description	Qty. Req.
<i>Quantities shown are for both Top and Front Wipers</i>				-- ITEMS NOT SHOWN --			
01	101279	NOZZLE, WASHER	2	00 ^{ad}	L68448	HARNESS, WIPER	2
02	L50145	3/8" FLAT WASHER.	2	00 ^e	L68447	HARNESS, CAB OPT./WIPER. . .	AR
03	L50061	3/8"-16 FLANGE NUT	2	00 ^f	L68468	HARNESS, WIPER/WASHER . . .	AR
04 ^g	NSS	NUT (Included with item 7)	1		L63757	WIRE ASY, WASHER GRND	1
05 ^g	NSS	WASHER (Included with item 7)	1		L63906	WIRE ASY, WASHER MOTOR	1
06	L63546	RUBBER GROMMET.	2		L68460	RUBBER GROMMET.	2
07		WIPER MOTOR	2	a	552: S/N 1015 & Up 553: S/N 3368 & Up		
	L66843	See note a (2 speed)					
	L61198	See note b and note c (Single speed)		b	552: Thru S/N 1014 553: Thru S/N 3367		
08 ^a	L68459	WIPER COVER	2	c	Use these parts to mount L61198 wiper motor		
09 ^a	L50896	#10-24 NUT	2		L63876	SMALL GROMMET	4
10 ^a	L68439	NYLON SPACER.	2		L50214	1/4"-20X1" BOLT	2
11 ^a	L67832	RUBBER GROMMET.	2		L50137	1/4" FLAT WASHER.	2
12 ^a	L514001	#10-24X1" RD HD SCREW	2		L50051	1/4"-20 FLANGE NUT	2
13 ^a	L67813	COVER, SCREW HEAD	2		L50155	5/8" FLAT WASHER.	2
14	L61199	WIPER ARM BLADE	2	d	Attaches to wiper motor.		
15	L61200	WIPER BLADE	2	e	Used instead of L68468 when unit is equipped with heater only option. (Attaches to rocker switches)		
16	L63932	SWITCH, WASHER	1	f	Used instead of L68447 when unit is equipped with air conditioning option. (Attaches to rocker switches)		
17		SWITCH, WIPER.	1	g	Order P/N L99167 Wiper Hardware kit, which includes the nut, washer and gasket.		
	L66850	See note a (Two speed switch)					
	L63931	See note b (Single speed switch)					
18	L63335	RELAY	1				
	L50655	#10-24X1/2" RD HD SCREW	1				
	L50896	#10-24 NUT	1				
19	L63699	BREAKER, CIRCUIT - 15AMP	1				
20	L50051	1/4"-20 FLANGE NUT	4				
21	L50202	1/4"-20 BUTTON HD BOLT	4				
22	L70649	WASHER RESERVOIR W/PUMP	1				
	L71394	3/16" TEE, WASHER HOSE.	1				

Side Door and Window



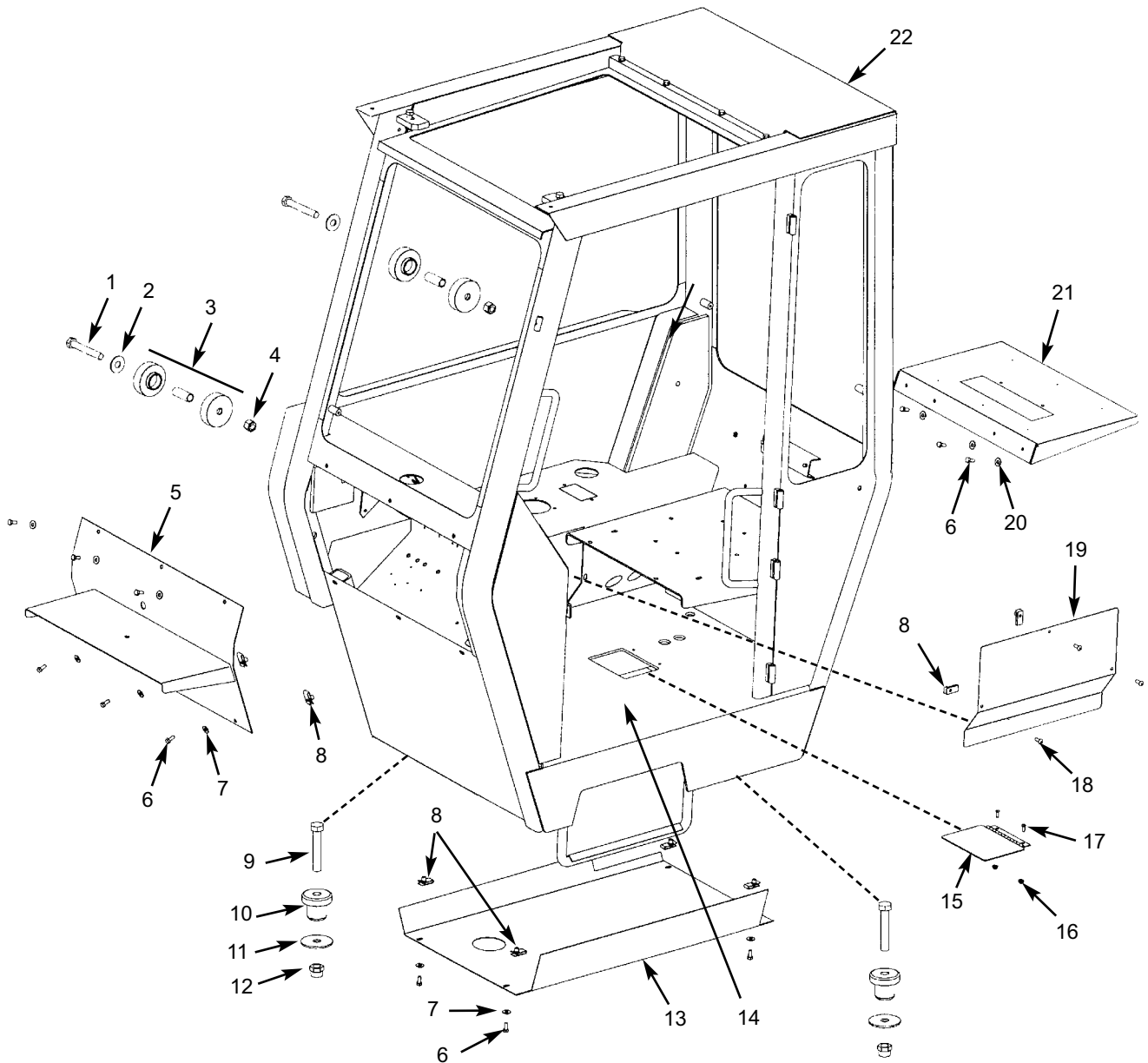
Side Door and Window

Ref. No.	Part No.	Description	Qty. Req.	Ref. No.	Part No.	Description	Qty. Req.
01	L63793	WELDMENT, UPPER DOOR	1	15	L63548	STRIKER, DOOR.	1
	L99319	VINYL DOOR SEAL (144")	1	16	L50152	1/2" LOCK WASHER	1
02	L63799	HANDLE, DOOR RELEASE.	1	17	L50202	1/4"-20X5/8" BUTTON HD BOLT	4
	L63574	SPRING, DOOR RELEASE.	1	18	L66907	HANDLE, INSIDE DOOR	1
03	L520019	1/2"-13 NYLON INSERT NUT.	1		L50212	#10-24X1/4" HEX HD SETSCRW	1
04	L50072	1/2"-13 NUT.	2	19	L61086	DOOR LOCK (UPPER DOOR).	1
05	L63801	WELDMENT, DOOR REL LATCH.	1	20	L50211	1/4"-20X3/4" BOLT	4
06	L67309	GLASS, UPPER DOOR	1				
07	L99318	GASKET, UPPER WINDOW (120")	1				
08		GLASS, LEFT SIDE.	1				
	L67285	See note a (use with item 9a)					
	L63741	See note b (use with item 9b)					
09 ^a	L99323	GASKET, LEFT WINDOW (89")	1				
09 ^b	L71393	PRIMER, GLASS ADHESIVE	AR				
	L71392	ADHESIVE, GLASS	AR	a		552: S/N 1015 & Up 553: S/N 3368 & Up	
10	L99316	GASKET, LOWER WINDOW (76")	1				
11	L67308	GLASS, LOWER DOOR.	1				
12	L63478	WELDMENT, LOWER DOOR.	1	b		552: Thru S/N 1014 553: Thru S/N 3367	
	L99317	VINYL DOOR SEAL (69")	1				
13	L61085	HANDLE, LOCKING.	1				
14	L63547	LATCH, DOOR / ROTARY	1				

-- ITEMS NOT SHOWN --

L68441 DOOR ASSEMBLY (Complete). 1
(includes all items shown except items 8, 9, 15 & 16.)

Cab Mounts and Panels

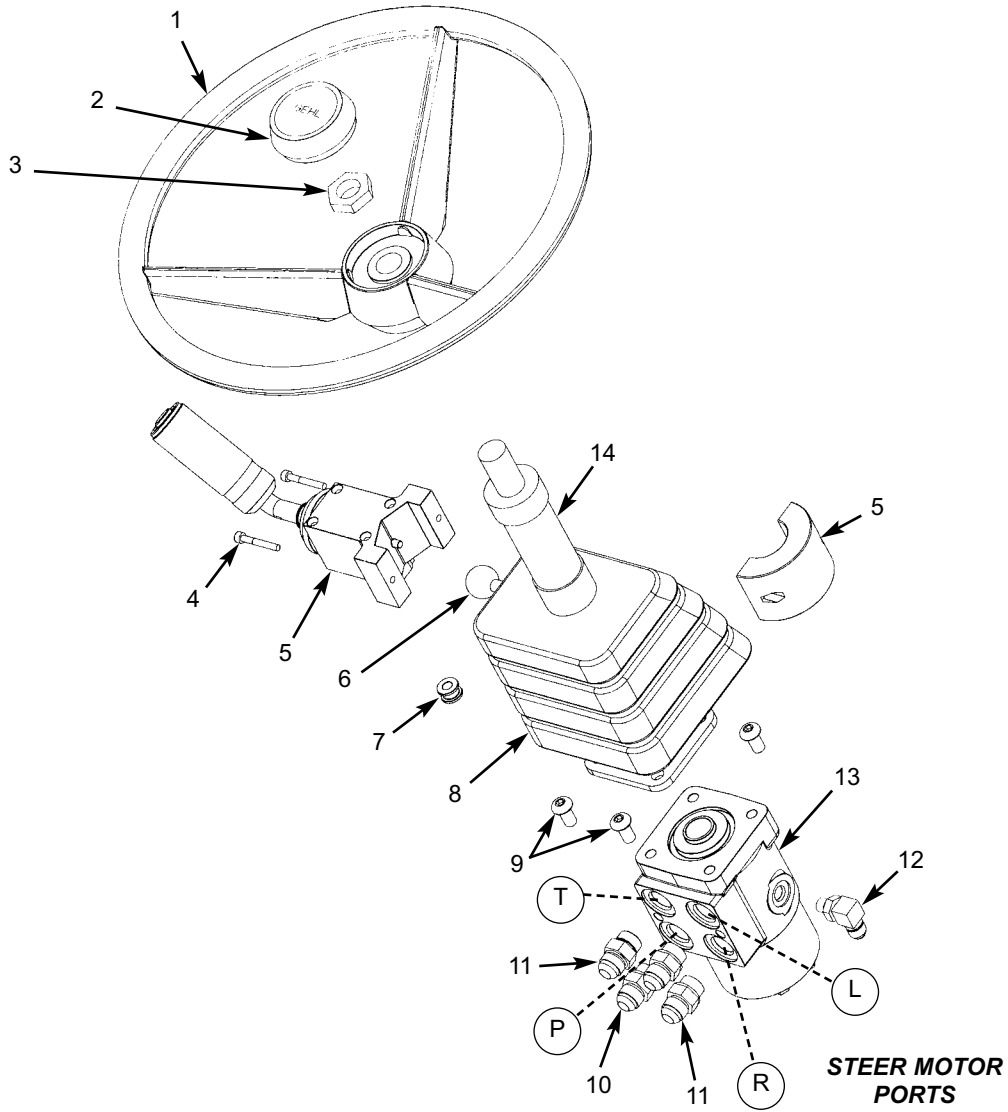


Cab Mounts and Panels

Ref. No.	Part No.	Description	Qty. Req.	Ref. No.	Part No.	Description	Qty. Req.
01	L50294	1/2"-13X3-1/2" BOLT	2	22		CANOPY WELDMENT.	1
02	L50151	1/2" WASHER	2		L68784	See note d	
03	L63269	MOUNT, VIBRATION ISOLATOR . . .	2		L68510	See note e	
04	L520019	1/2"-13 NYLON INSERT NUT.	2		L68315	See note f	
05	L63870	FRONT COVER/FENDER	1				
06	L50230	5/16"-18X3/4" BOLT	14			-- ITEMS NOT SHOWN --	
07	L50141	5/16" FLAT WASHER.	10	00	L63813	HOLE PLUG 2-1/2" DIA.	AR
08	L530004	5/16"-18 FASTENER NUT	10	00	L66842	HOLE PLUG 2" DIA.	AR
09	L50567	5/8"X11X3-1/2" BOLT	2				
10	L64124	MOUNT, VIRATION ISOLATOR . . .	2				
11	L64197	WASHER, ISOLATOR MOUNT . . .	2	a		552: S/N 1015 & Up 553: S/N 3340 & Up	
12	L520007	5/8"-11 NYLON INSERT NUT.	2				
13	L63458	COVER, BOTTOM OPER.	1				
14	L54002	SAFETY TREAD	1	b		552: S/N 1006-1014 553: S/N 3012-3339	
		(Cut into 6"x24" pieces)					
	L63519	FLOOR MAT (43")	1				
15	L63559	WLDMNT, BRAKE ACCS COVR . . .	1	c		552: S/N 1001-1005 553: S/N 3001-3011	
16	L50051	1/4"-20 FLANGE NUT	2				
17	L50202	1/4"-20X5/8" BUTTON HD BOLT . .	2				
18	L52025	5/16"-18X3/4" BUTTON HD BOLT .	3	d		552: S/N 1057 & Up 553: S/N 4519 & Up	
19		PANEL, JOYSTICK ACCESS.	1				
	L68347	See note a					
	L63884	See note b		e		552: S/N 1015 - 1056 553: S/N 3368 - 4518	
	L63265	See note c					
20	L50143	5/16" LOCK WASHER	4				
219	L68449	WELDMENT, REAR FENDER	1	f		552: Thru S/N 1014 553: Thru S/N 3367	
				g		552: S/N 1015 & Up 553: S/N 3368 & Up	

Steering Column and Shifter Group

(552: S/N 1057 and Up; 553: S/N 4519 and Up)



Steering Column and Shifter Group

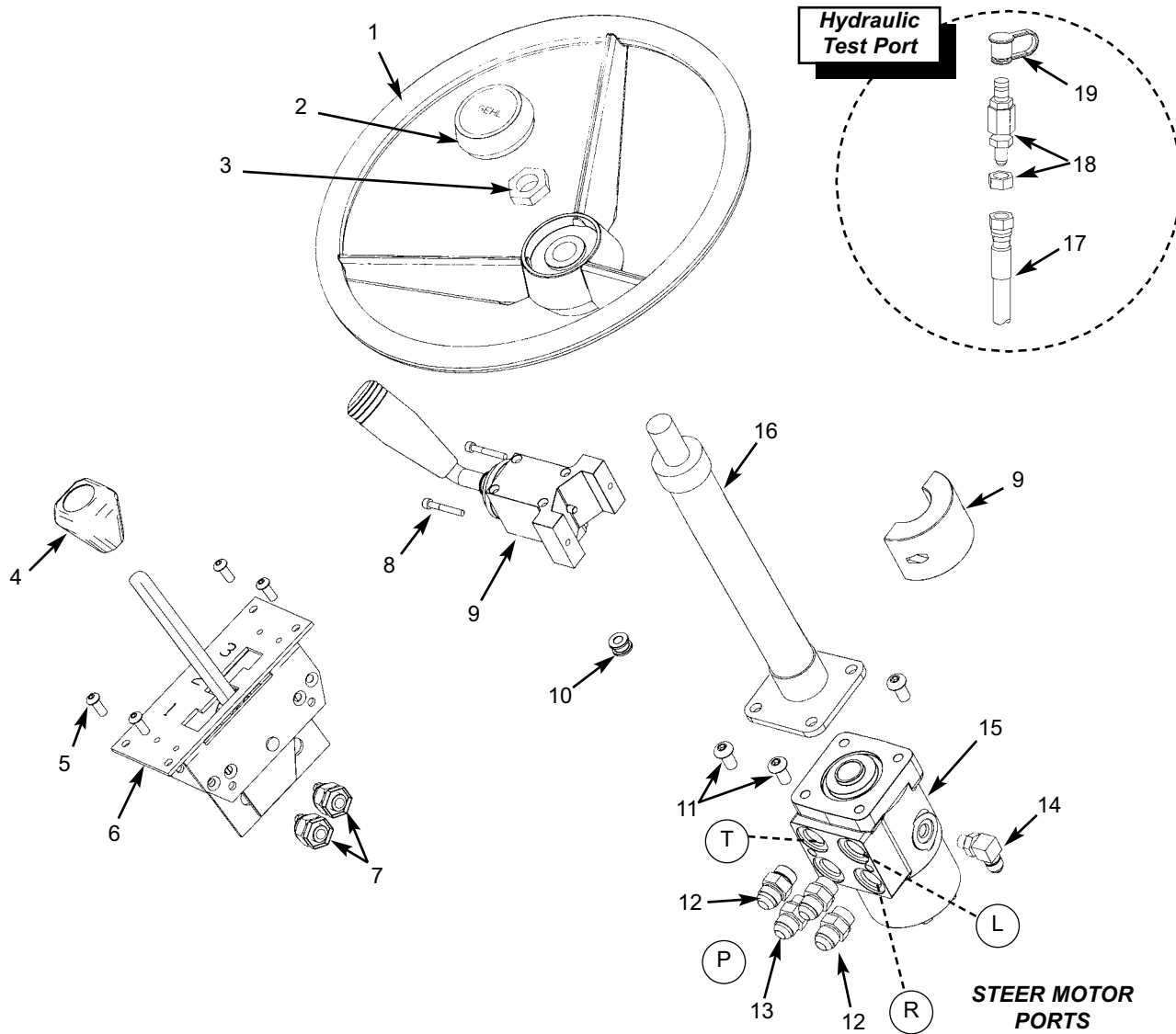
(552: S/N 1057 and Up; 553: S/N 4519 and Up)

Ref. No.	Part No.	Description	Qty. Req.	Ref. No.	Part No.	Description	Qty. Req.
01	L40496	STEERING WHEEL (15")	1	12	L62842	ADAP, -4ORM -6JICM 90DEG	1
02	L41260	CAP, STEERING WHEEL.	1	13	L68713	MOTOR, STEER, 17.9 DYN LS . . .	1
03	L41261	NUT, STEERING WHEEL.	1	14	L68773	COLUMN, TILT	1
04	L50101	M5X.8X35mm HX SKTHD BOLT . . .	2				
05	L68772	SHIFTER, 3-SPD F-N-R.	1			-- ITEMS NOT SHOWN--	
06	L500446	HANDLE, TILT	1	00	L68774	WIRE HARNESS, FNR SHIFTER. . .	1
	L500447	KNOB, HANDLE	1				
07	L67832	RUBBER GROMMET.	1				
08	L500673	BOOT, DUST	1				
09	L50253	3/8"-16 BUTTON HD BOLT	4				
10	L64524	CHECK VALVE	1				
11	L444004	ADAP, -8ORM -8JICM STR	3				

NOTE: See hydraulic section for list of hoses and locations.

Steering Column and Shifter Group

(552: Thru S/N 1056; 553: Thru S/N 4518)



Steering Column and Shifter Group

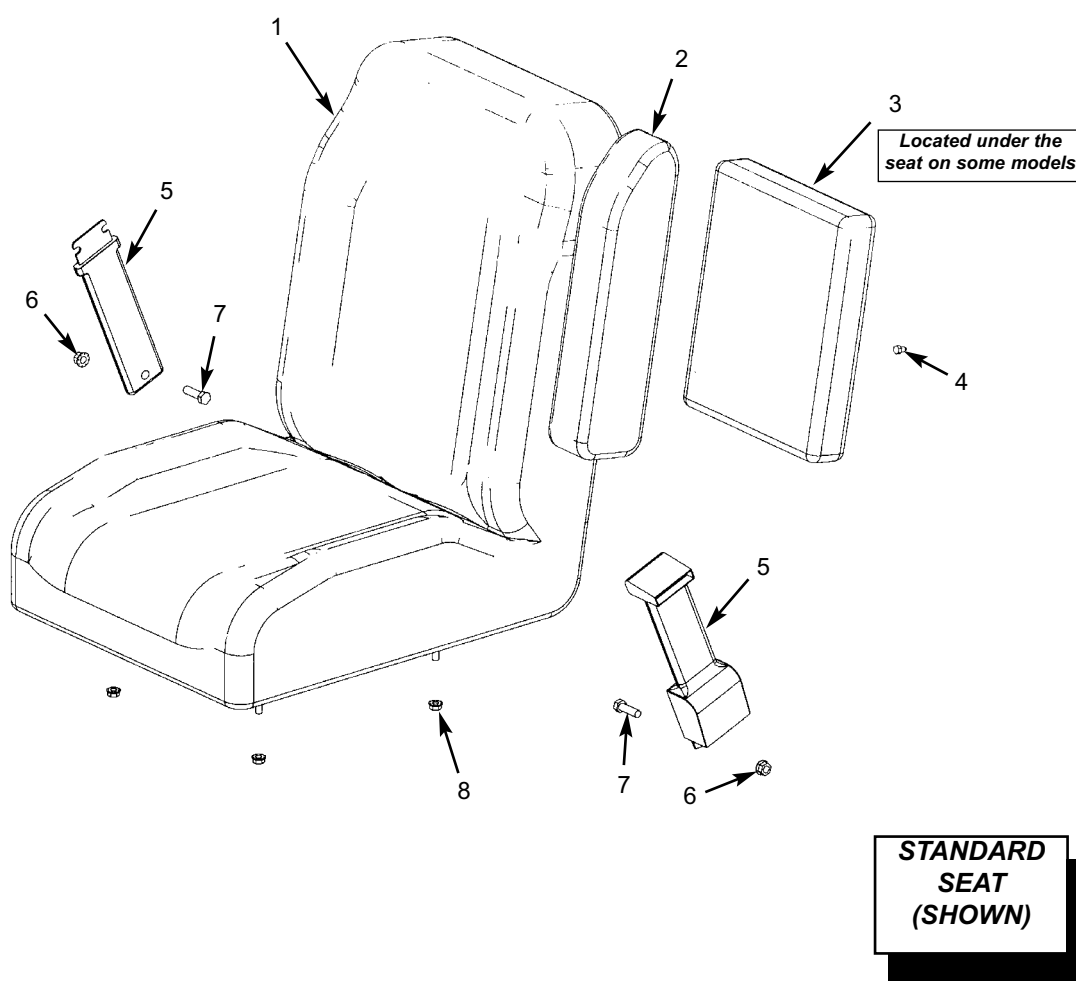
(552: Thru S/N 1056; 553: Thru S/N 4518)

Ref. No.	Part No.	Description	Qty. Req.	Ref. No.	Part No.	Description	Qty. Req.
01	L40496	STEERING WHEEL (15")	1	16 ^a	L66110	COLUMN, STEERING	1
02	L41260	CAP, STEERING WHEEL	1	17	L63402	HOSE, -4 X 48"	1
03	L41261	NUT, STEERING WHEEL	1	18	L62834	TEST PORT	1
04	L98786	SHIFT KNOB 1-2-3 SHIFTER	1	19	L62840	DUST CAP	1
05	L50202	1/4"-20X5/8" BOLT	4				
06	L66059	SHIFTER 1-2-3 (Includes items 4, 6 & 7)	1				
07	L98787	SHIFT SWITCH	2	00	L62933	FEMALE COUPLER (Test Port)	1
08	L50101	M5X.8X35mm HX SKTHD BOLT	2	00 ^a	L68281	WIRE HARNESS, FNR SHIFTER	1
09 ^a	L68280	F-N-R SHIFTER	1				
	L99425	BOOT	1	a		Use P/N L99180 Replacement Kit: 552: Thru S/N 1014 553: Thru S/N 3345	
10	L67832	RUBBER GROMMET	1				
11	L52026	3/8"-16X1-1/4" BUTTN HD BOLT	4				
12	L444004	ADAP, -8ORM -8JICM STR	3	b		552: S/N 1012 - 1014 553: S/N 3178 - 3367	
13	L64524	CHECK VALVE	1				
14	L62842	ADAP, -4ORM -6JICM 90DEG	1				
15		MOTOR, STEER	1	c		552: Thru S/N 1011 553: Thru S/N 3177	
	L66753	See note b					
	L64523	See note c					

-- ITEMS NOT SHOWN--

NOTE: See hydraulic section for list of hoses and locations.

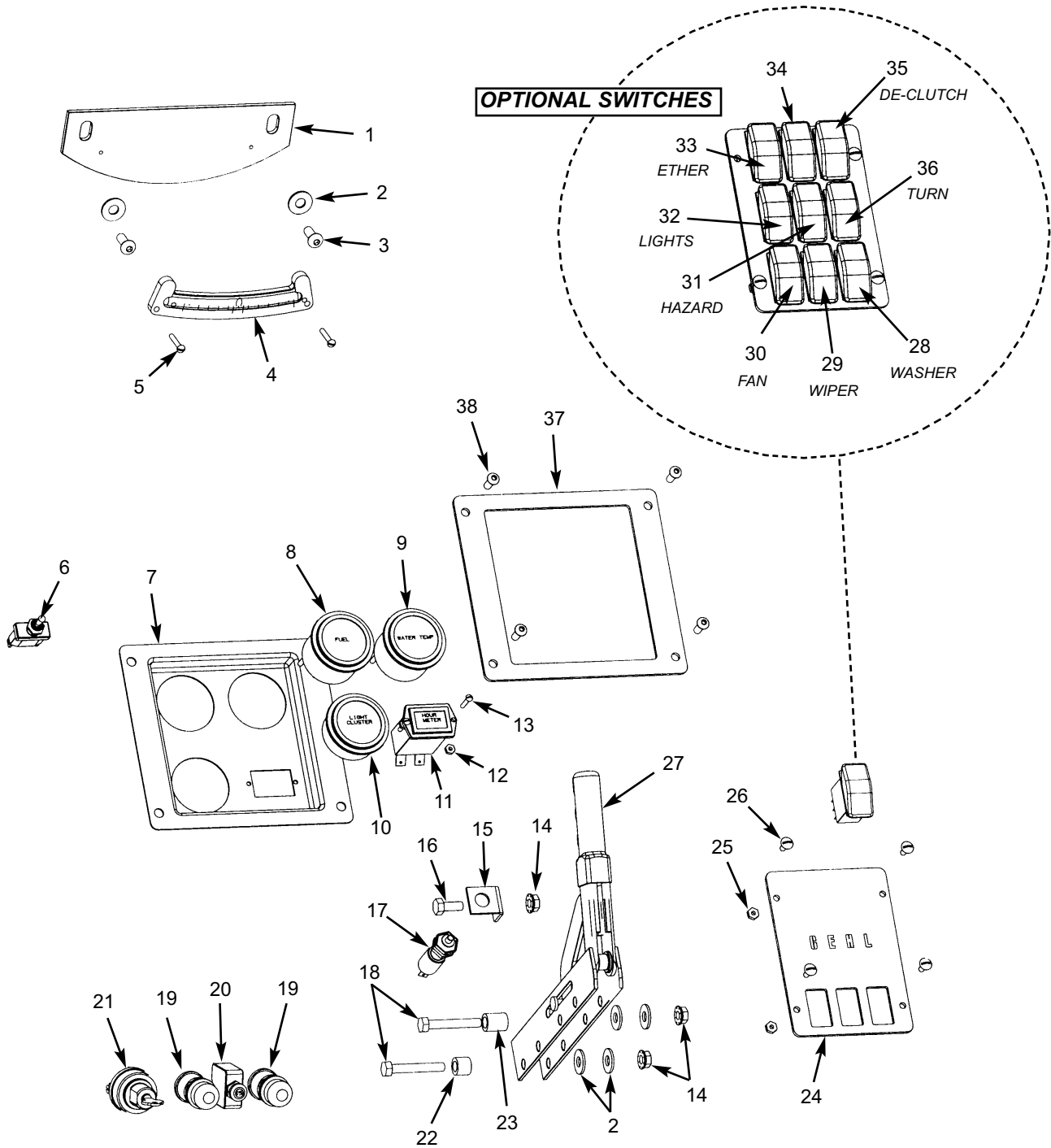
Seat Group



Seat Group

Ref. No.	Part No.	Description	Qty. Req.	Ref. No.	Part No.	Description	Qty. Req.
01	100135	SEAT, OPERATOR'S (<i>Standard</i>) . . .	1			-- ITEMS NOT SHOWN --	
	L63811	SEAT, SUSPENSION (<i>Optional</i>) . . .	1				
02	L99454	ARM REST, SEAT (LH)(<i>Std. Seat</i>) . .	1	00 ^a	L52025	5/16"-18x3/4" BUTTN HD BOLT . . .	4
03	L62459	HOLDER, MANUAL.	1	00 ^a	L520005	3/8"-16 LOCK NUT	4
04	L50208	1/4"-20X1/2" CUTTING SCREW. . . .	2	00 ^a	L50367	3/8"-16X1" BOLT	4
05		SEAT BELT ASSEMBLY	1	00 ^a	L50145	3/8" FLAT WASHER	8
	L63810	<i>Used on standard seat</i>					
	L500948	<i>Used on suspension seat</i>					
06	L50061	3/8"-16 FLANGE NUT	2	a		<i>Used to mount suspension seat.</i>	
07	L52026	3/8"-16X1-1/4" BOLT	2				
08	L50056	5/16"-18 FLANGE NUT	4				

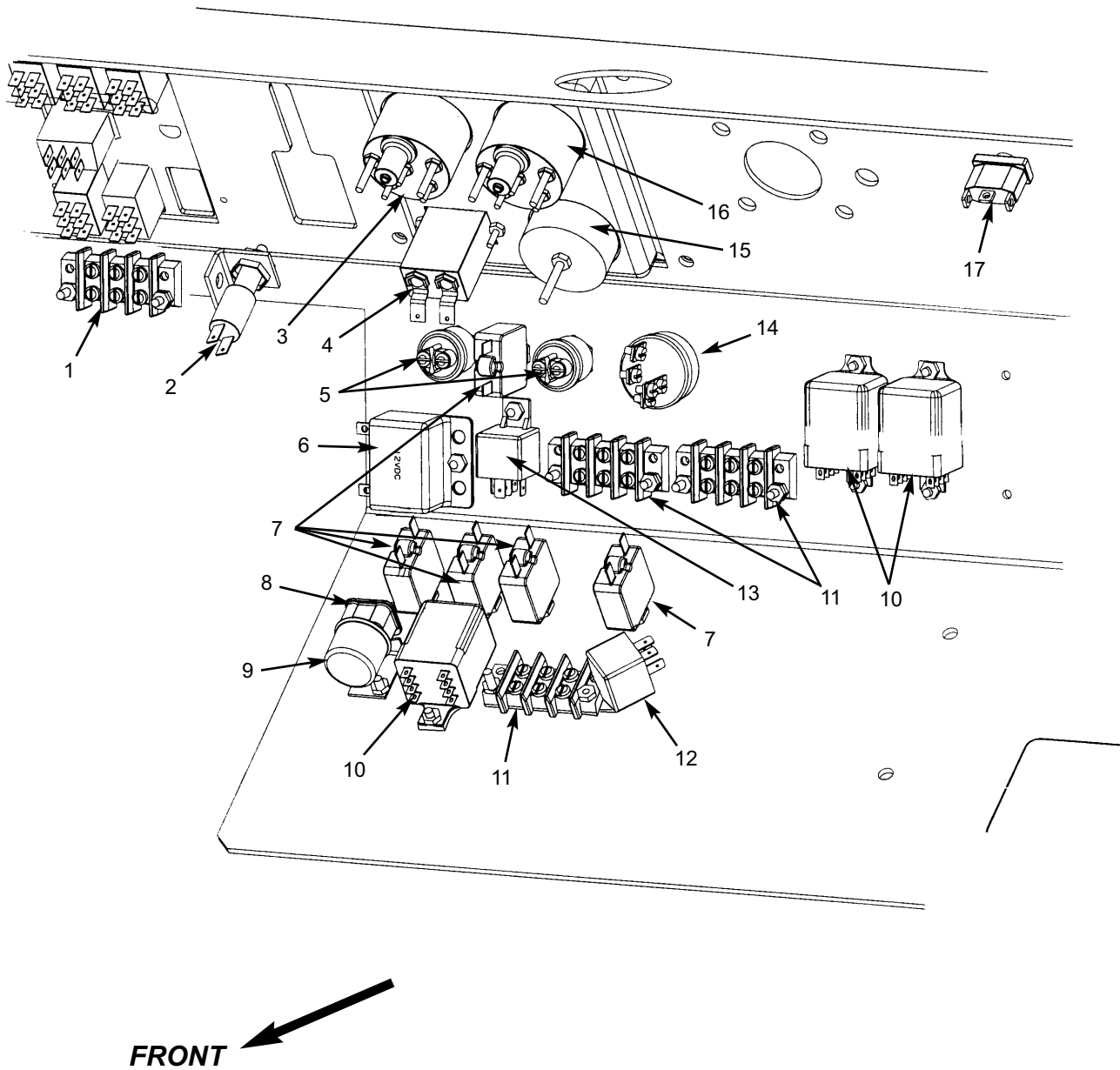
Top Dash



Top Dash

Ref. No.	Part No.	Description	Qty. Req.	Ref. No.	Part No.	Description	Qty. Req.	
01	L63674	PLATE, LEVEL INDICATOR	1	30		SWITCH, HEATER FAN	1	
02	L50141	5/16" FLAT WASHER	6		L66849	See note a (2 Speed)		
03	L52025	5/16"-18X3/4" BUTTN HD BOLT	2		L63931	See note b (Single Speed)		
04	L66011	INDICATOR, FRAME LEVEL	1	31	L63934	SWITCH, HAZARD LIGHTS	1	
05	L50417	#8X1" RND HD MACH SCREW	2	32	L63937	SWITCH, LIGHTS	1	
06	L68638	STEER SELECT SWITCH	1	33	L68054	SWITCH, ETHER	1	
07	L63688	PANEL, RECESSED GUAGE	1	34	NA	OTHER OPTION	1	
08	L63640	GUAGE, FUEL	1	35	L63938	SWITCH, CLUTCH CUT OUT	1	
09	L66437	GUAGE, WATER TEMP.	1	36	L63933	SWITCH, TURN LIGHTS	1	
10	L63610	GUAGE, LIGHT CLUSTER	1	37	L63689	GUAGE, COVER PANEL	1	
11	072340	GUAGE, HOUR METER	1	38	L50202	1/4"-20X5/8" BUTT. HD BOLT	4	
12	L520017	#6-32 NYLON INSERT NUT	2					
13	L50546	#6-32X3/4" RD MACH SCREW	2			-- ITEMS NOT SHOWN--		
14	L50056	5/16"-18 FLANGE NUT	3			(SWITCHES)		
15	L62484	BRACKET, SWITCH MOUNT	1		L67681	SWITCH, AIR COND.	1	
16	L50230	5/16"-18X3/4" BOLT	1			(LOAD CHARTS)		
17	L650012	SWITCH, BRAKE LIGHT	1		L63837	553 LOAD CHARTS PACKAGE	1	
18	L50835	5/16-18X2" BOLT	2		L63835	552 LOAD CHARTS PACKAGE	1	
19	L41848	SWITCH, PUSH BUTTON	2		L63887	1/4"-20 U-BOLT	1	
20	L63699	BREAKER, CIRCUIT 15 AMP.	1			(PARKING BRAKE)		
21	089069	SWITCH, IGNITION	1			L63633	PARK BRAKE CABLE	1
	089070	KEY ONLY	1			L42342	3/8"X1-1/4" CLEVIS PIN.	1
22	L43965	SPACER, PARK BRAKE LEVER	1			L50607	1/8"X1" COTTER PIN.	1
23	L43964	SPACER, PARK BRAKE LEVER	1			L47275	CLAMP, BRAKE CABLE.	1
24	L63941	SWITCH PANEL (3 HOLES).	1					
	L63936	SWITCH PANEL (NO HOLES)				a	552: S/N 1015 & up	
	L63942	SWITCH PANEL (6 HOLES)					553: S/N 3368 & up	
	L63935	SWITCH PANEL (9 HOLES)				b	552: Thru S/N 1014	
	L67674	SWITCH PANEL (A/C - 7 HOLES.)					553: Thru S/N 3367	
25	L50896	#10-24 NUT	4					
26	L50655	#10-24X1/2" RD MACH. SCREW	4					
27	L277568	LEVER, PARK BRAKE	1					
28	L63932	SWITCH, WASHER SYSTEM	1					
29		SWITCH, WIPER	1					
	L66850	See note a (2-Speed).	1					
	L63931	See note b (Single Speed)	1					

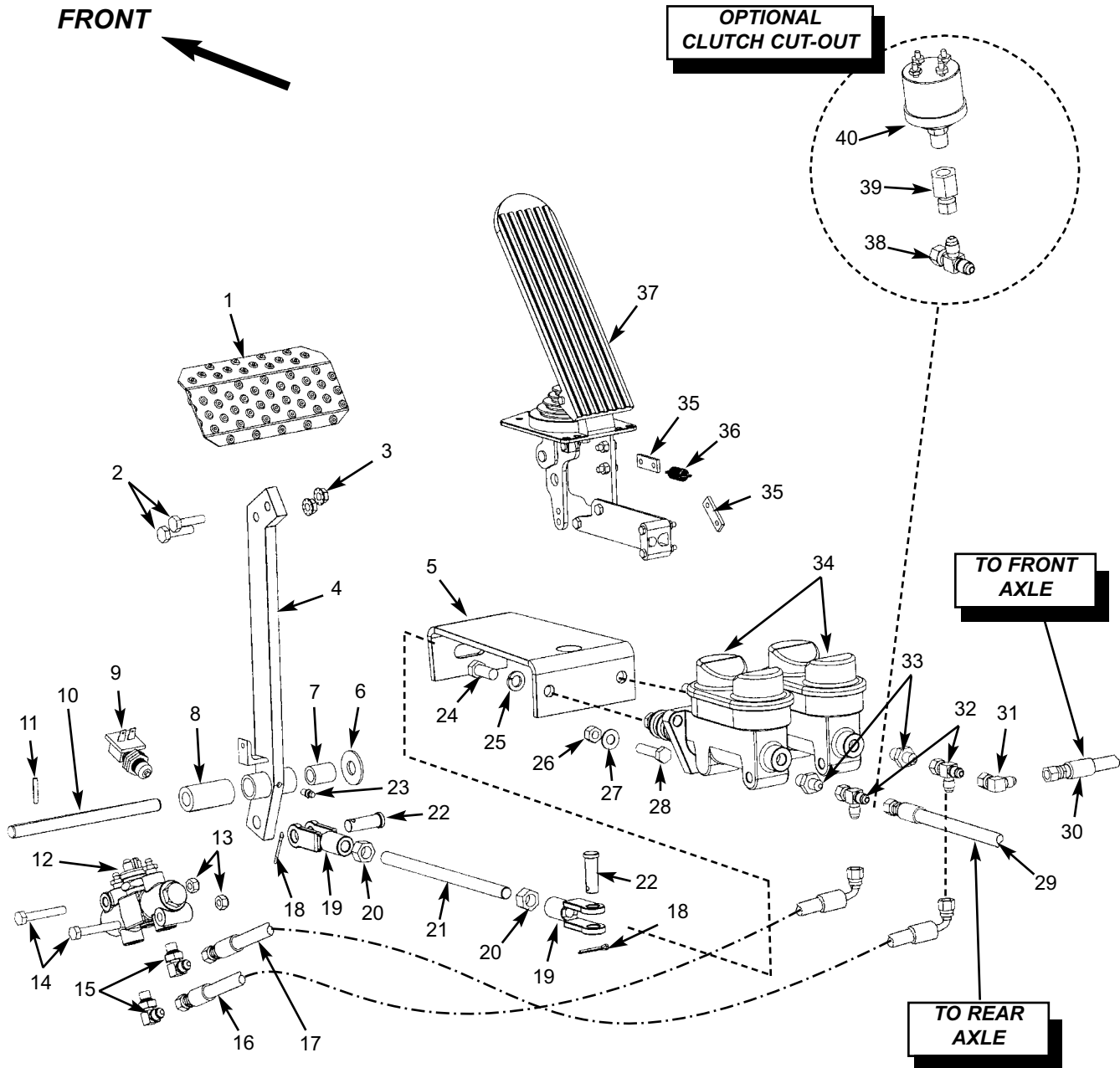
Under Dash



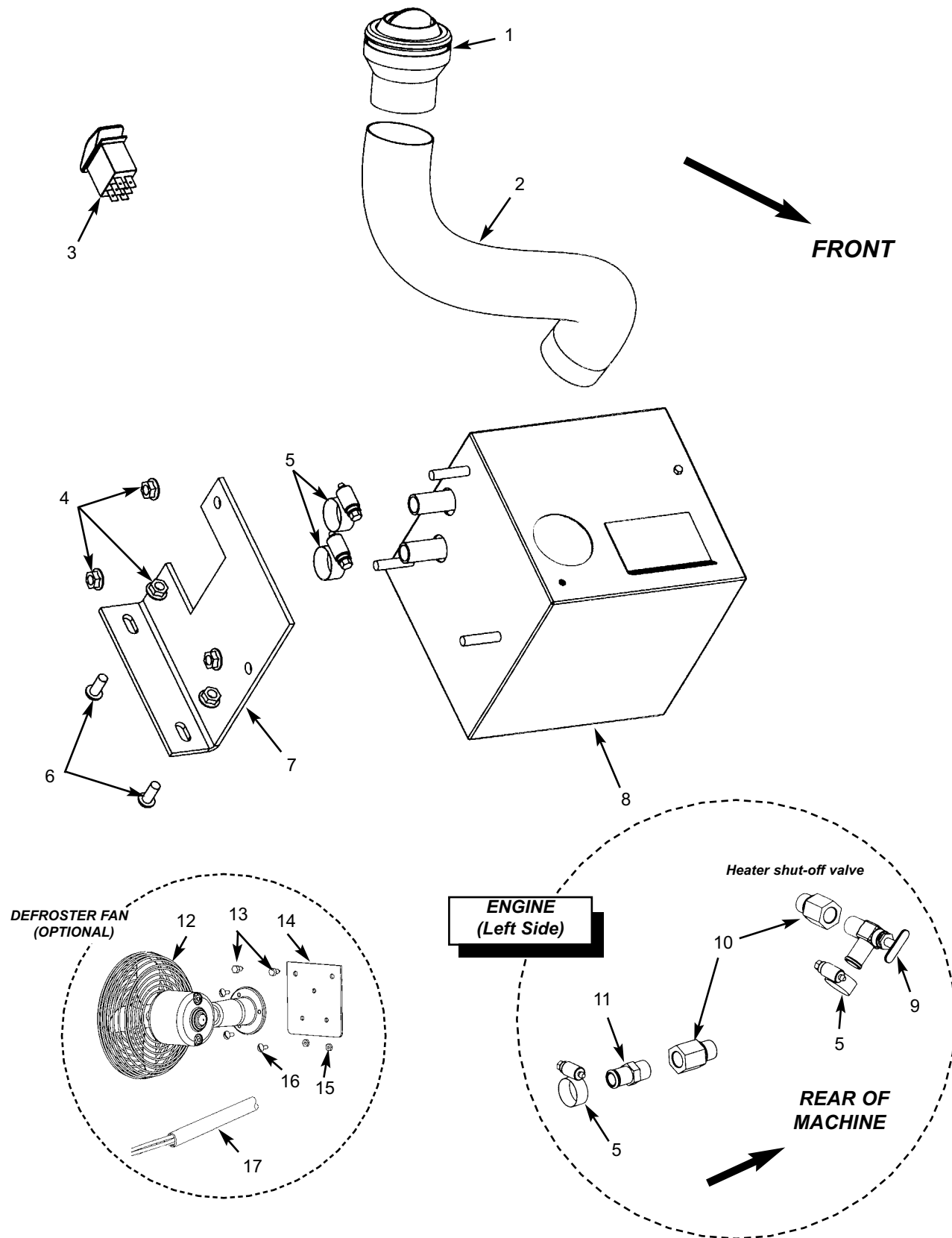
Under Dash

Ref. No.	Part No.	Description	Qty. Req.	Ref. No.	Part No.	Description	Qty. Req.
01 ^a	L650004	BLOCK, TERMINAL 3 BANK	1	00	L63142	WIRE ASY.	1
	L68447	HARNESS, CAB OPTION.	1	00	L63606	WIRE ASY, 16GA.X18" RED	1
02	L650012	BRAKE LIGHT SWITCH.	1	00	L63611	WIRE ASY.	2
03	L66437	GUAGE, WATER TEMP	1	00	L63751	WIRE ASY, RELAY TO BUZZER . . .	1
04	072340	GUAGE, HOURMETER	1	00	L63752	WIRE ASY, 16GA.X8" BLACK	1
05	L41848	SWITCH, PUSH BUTTON	2	00	L63753	WIRE ASY, RELAY TO BLOCK	2
06	L62132	BUZZER, 12 VDC	1	00	L64090	WIRE ASY, 14GAX6" BLACK	5
07	L63699	BREAKER, CIRCUIT 15 AMP	AR	00	L64097	WIRE ASY, 8" .25 SLIDE #10 EYE . . .	2
08	L63872	HARNESS, LIGHT PKG	1	00	L64970	WIRE ASY, 14GAX6" BLACK	5
		(Used with Deluxe Light Pkg)		00	L66053	WIRE ASY, 14GAX8" BLACK	2
09	L63894	FLASHER	1	00	L66162	WIRE ASY, 16GAX6"	1
10	L62949	RELAY, DPDT 12VDC	AR				
11	L650004	BLOCK, TERMINAL 3 BANK.	AR			(SWITCHES)	
	L650005	JUMPER	AR	00	L63647	TIME DELAY SW. 2-PIN.	1
	L66736	CLINCH JUMPER	AR	00	L63335	TIME DELAY SWI. 5-PIN	1
12	L63335	RELAY.	1	00	L68056	PREHEAT SW. (Perkins Eng.)	1
		(Used with windshield wipers)					
13	L63335	RELAY	1				
		(Used for electrical system)		a		<i>Terminal block and wire harness used for units equipped with heater only option. Units equipped with Air Conditioning uses L68468 harness and no terminal block.</i>	
14 ^b	089069	SWITCH, IGNITION.	1				
	089070	KEY ONLY	1				
14 ^c	L40417	START SWITCH WITH KEY.	1				
	L41852	KEY ONLY	1	b		<i>552: S/N 1015 & Up 553: S/N 3248 & Up</i>	
15	L63610	GUAGE, LIGHT CLUSTER.	1				
16	L63640	GUAGE, FUEL.	1	c		<i>552: Thru S/N 1014 553: Thru S/N 3247</i>	
17	L68638	SWITCH, STEER SELECT.	1				
		-- ITEMS NOT SHOWN --		d		<i>552: S/N 1057 & Up 553: S/N 4519 & Up</i>	
		(WIRE ASSEMBLIES)		e		<i>552: Thru S/N 1056 553: Thru S/N 4518</i>	
00		MAIN FRAME WIRE HARNESS.	1				
	L68777	See note d					
	L63550	See note e					

Accelerator and Brake Pedals



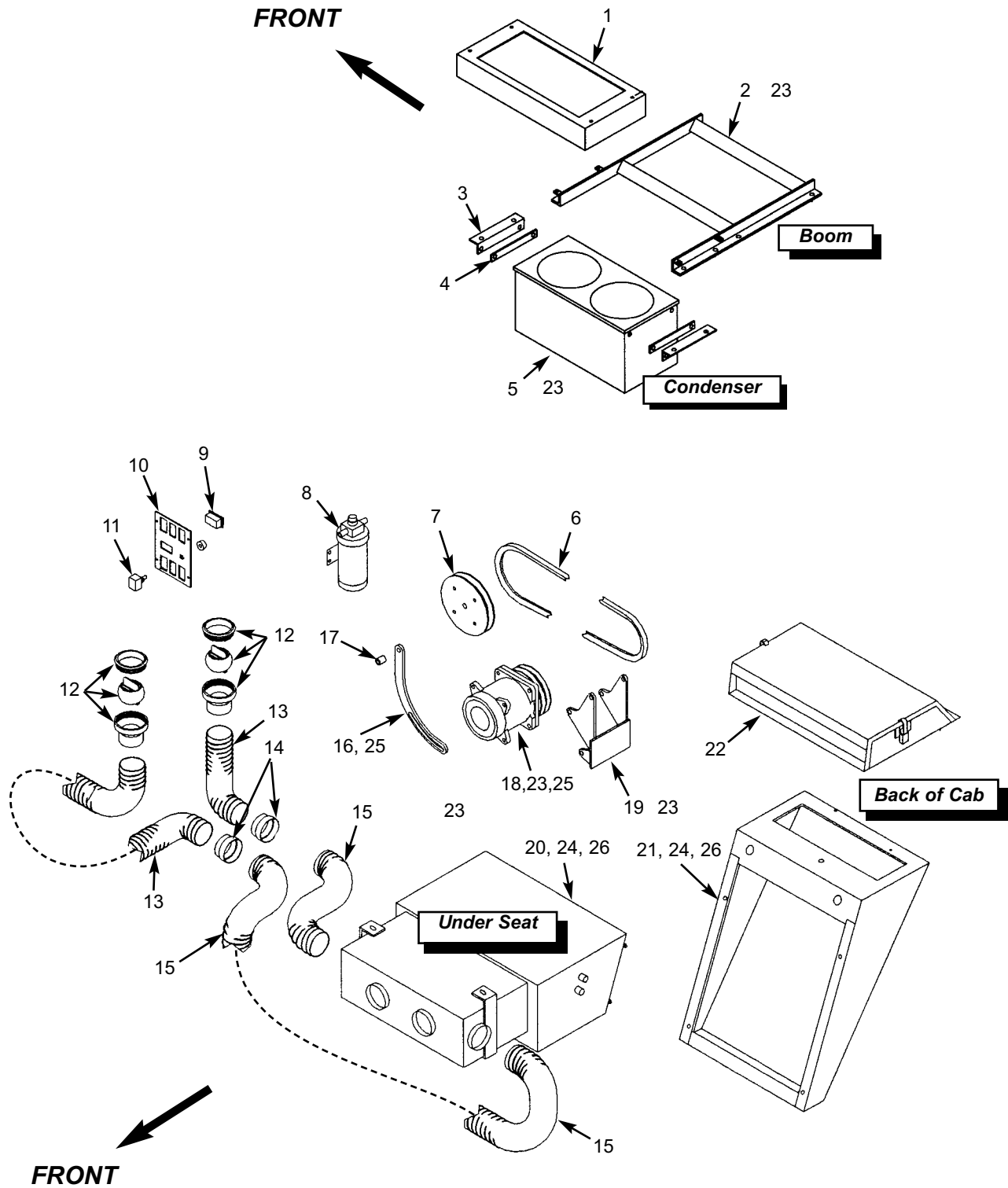
Heater (No Air Conditioning)



Heater
(No Air Conditioning)

Ref. No.	Part No.	Description	Qty. Req.	Ref. No.	Part No.	Description	Qty. Req.
01	L63545	GRILL, DEFROSTER	1			-- ITEMS NOT SHOWN--	
02	L99320	TUBING, DUCT (12")	1	00	L66842	HOLE PLUG, 2" DIA.	AR
03		SWITCH, HEATER.	1	00	L63813	HOLE PLUG, 2-1/2" DIA	AR
	L66849	<i>See note a (2 Speed)</i>					
	L63930	<i>See note b (Single Speed)</i>					
04	L50056	5/16"-18 FLANGE NUT	5	00	L68447	HARNESS, CAB OPTION	1
05	L75956	#10 HOSE CLAMP.	4	00	L99449	RESISTOR, 12W/3 OHM	1
06	L52025	5/16"-18X3/4" BUTTN HD BOLT.	2			<i>(used with 2 speed heater switch)</i>	
07	L63536	BRACKET, CAB HEATER	1				
08	L66997	HEATER, CAB	1			(HEATER HOSE & ADAPTERS)	
	L500448	BLOWER MOTOR <i>(no fan blade)</i>	1	00	L99321	HOSE, HEATER 5/8"x216"	2
09	L68592	SHUTOFF, MANUAL	1	00 ^d	L51060	ADAP, 1/2"x3/8" 45 DEGREE	1
10	L69718	ADAP, 3/8"NPTF 18MX1.5 ORING	2	00 ^d	L51243	ADAP, -8ORM -6UFS UNION STR	1
11 ^c	L68591	STEM, HOSE.	1	00 ^d	L51052	ADAP, 3/8	1
12	L66986	DEFROSTER FAN <i>(Optional)</i>	1				
13	L50208	1/4"-20X1/2" SELF TAP SCREW	2	a		552: S/N 1015 & up 553: S/N 3368 & up	
14	L66993	BRACKET, DEFROSTER FAN	1	b		552: Thru S/N 1014 553: Thru S/N 3367	
15	L50896	#10-24 NUT	3				
16	L50655	#10-24 BOLT	3				
17	101158	HARNESS, DEFROSTER FAN.	1	c		L447005 adapter replaces L68591 hose stem and one L69718 adapter (item 10)	
	L42448	CONNECTOR, 14-16 GA. BUTT	4	d		552: Thru S/N 1020 553 w/ JD Natural Thru S/N 3916 553 w/ JD Turbo Thru S/N 3629	
	L67832	RUBBER GROMMET	2				

Air Conditioning Group



Air Conditioning Group

Ref. No.	Part No.	Description	Qty. Req.	Ref. No.	Part No.	Description	Qty. Req.
01	L68288	COVER WELDMENT	1	20	L67630	EVAPORATOR/BLOWER	1
	L50208	SELF TAP SCREW 1/4-20X1/2	4		L500768	FAN MOTOR W/BLAD	1
02	L68151	CONDENSOR MT. WELD	1		L50230	5/16"-18X3/4" BOLT	2
	L52026	3/8"-16X1-1/4" BUTT. HD. BOLT	4	21	L68451	AIR CHANNEL WELDMENT	1
03	L68148	MOUNT ANGLE	2		L50823	5/16"-18X1" BOLT	4
	L50823	5/16"-18X1" BOLT	4	22	L67629	OUTSIDE AIR KIT	1
	L50143	5/16"-18 LOCKWASHER	4		L99124	A/C FILTER	1
04	L68149	SPACER	2		L50486	1/4"-20X5/8" BOLT	6
05	L66679	ELECTRIC CONDENSOR	1	23	L520005	3/8"-16 NYLON INSERT NUT	14
	L50367	3/8"-16X1" BOLT	4	24	L50056	5/16"-18 FLANGE NUT	10
06	L66675	V-BELT	1	25	L50147	3/8" LOCKWASHER	2
07	L66588	ADD-ON PULLEY (J.Deere Eng.)	4	26	L50141	5/16" FLAT WASHER	6
	L50836	3/8"-16X1-3/4" BOLT	4				
08		RECEIVER/DRYER	1				
	L68463	See note a (Dryer w/Switch)					
	L68463	DRYER BINARY SWITCH	1				
	L67638	See note b					
09	L67681	ROCKER SWITCH (A-C & HEAT)	1				
10	L67674	A/C SWITCH PANEL	1				
11	L99010	FAN SPEED SWITCH	1				
12	L63545	GRILLE	2				
13	NSS	FLEX. DUCT, 2" DIA	AR				
14	L67732	ADAPTER 2-1/2 TO 2"	2				
15	NSS	FLEX. DUCT, 2-1/2" DIA	AR				
16	L67655	ADJUST. BRACKET	1				
	L50277	3/8"-16X3-1/2" BOLT	1				
17	L66547	SPACER	1				
18		COMPRESSOR	1				
	L68461	See note a (R12)					
	L67628	See note b (R134a)					
	L50403	3/8"-16X1-1/4" BOLT	2				
	L50251	3/8"-16X3/4" BOLT	1				
19	L67226	COMPRESSOR MOUNT	1				
	L50403	3/8"-16X1-1/4" BOLT	4				

(AIR COND. HOSES)

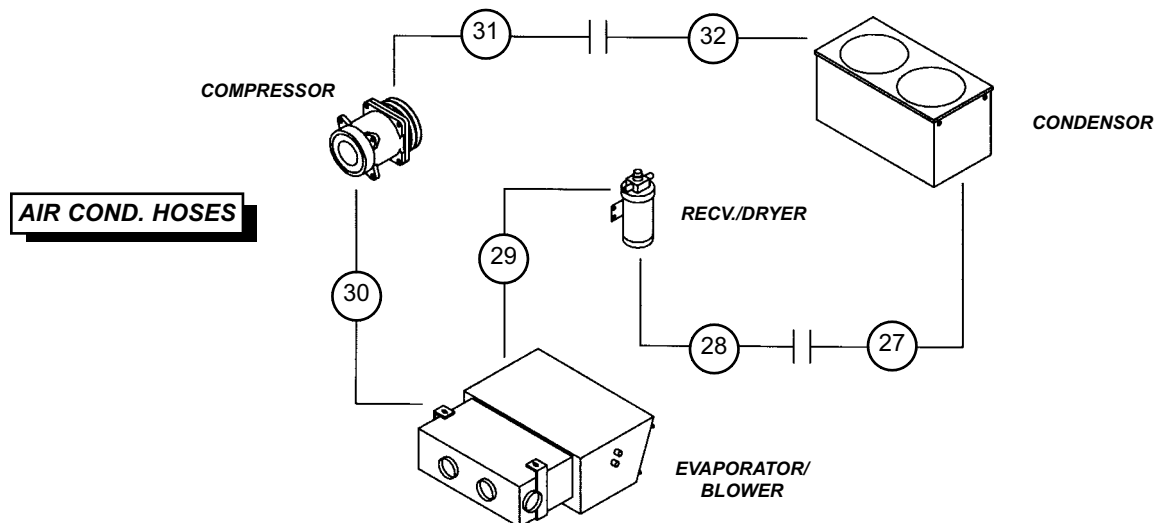
NOTE: Hoses Are Cut Length, Not Overall

27	L68276	A/C HOSE ASY 5/16X61	1
28	L68277	A/C HOSE ASY 5/16X100	1
29	L68156	A/C HOSE ASY 5/16X58	1
30	L66976	A/C HOSE ASY 1/2X61	1
31	L68274	A/C HOSE ASY 13/32X71	1
32	L66977	A/C HOSE ASY 13/32X81	1

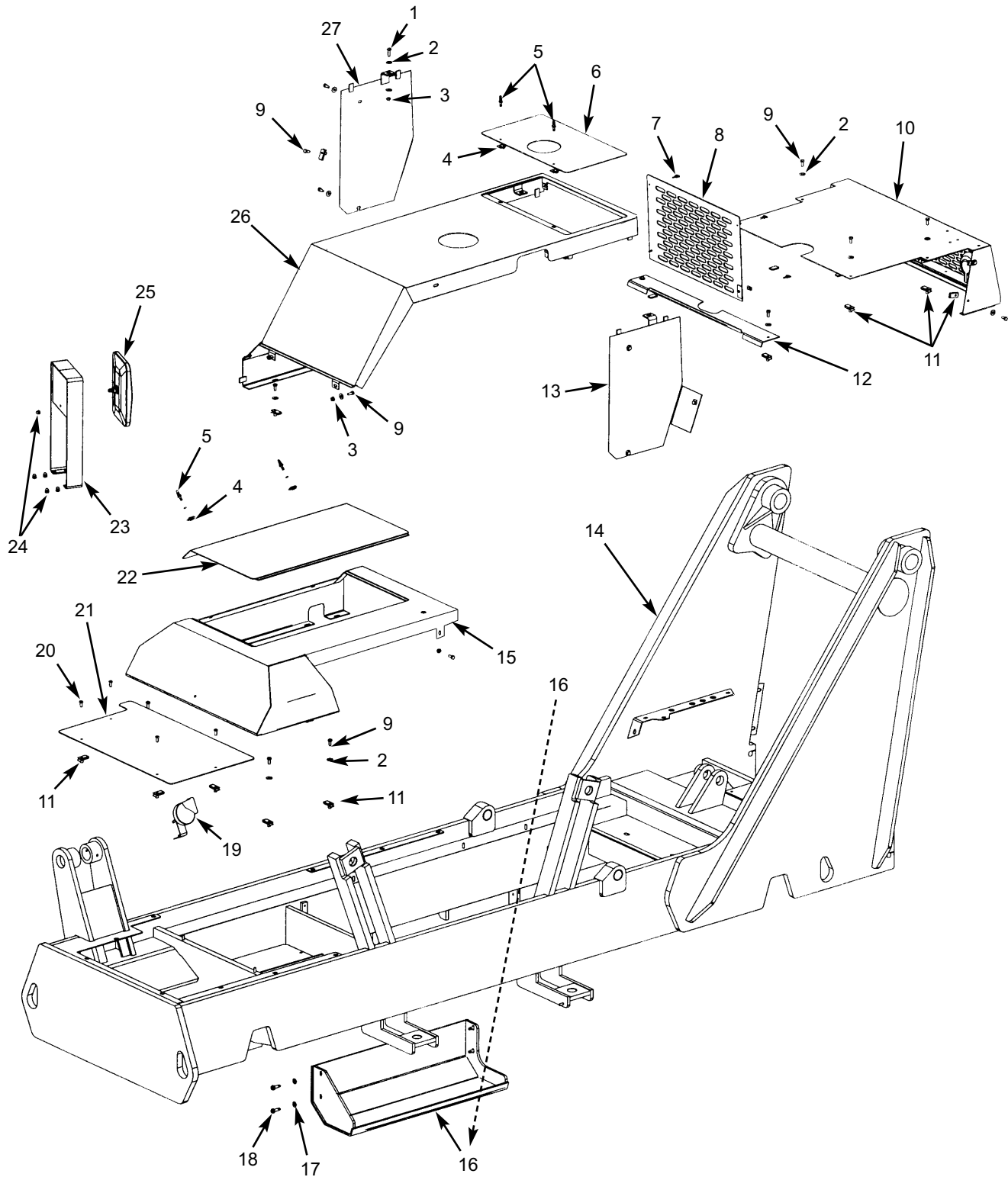
-- ITEMS NOT SHOWN --

L68467	A-C HARNESS	1
L99448	IN-LINE FUSE, 20 AMP	1
L99141	HOSE, HEATER 5/8"x120"	AR
L99847	HOSE, HEATER 5/8"x192"	AR
L99654	HOSE, HEATER 5/8"x216"	AR
L75956	#10 HOSE CLAMP	4

- a 552: S/N 1015 & Up
553: S/N 3368 & Up
- b 552: Thru S/N 1014
553: Thru S/N 3367



Frame Hoods and Covers
(552: S/N 1015 & Up; 553: S/N 3340 & Up)

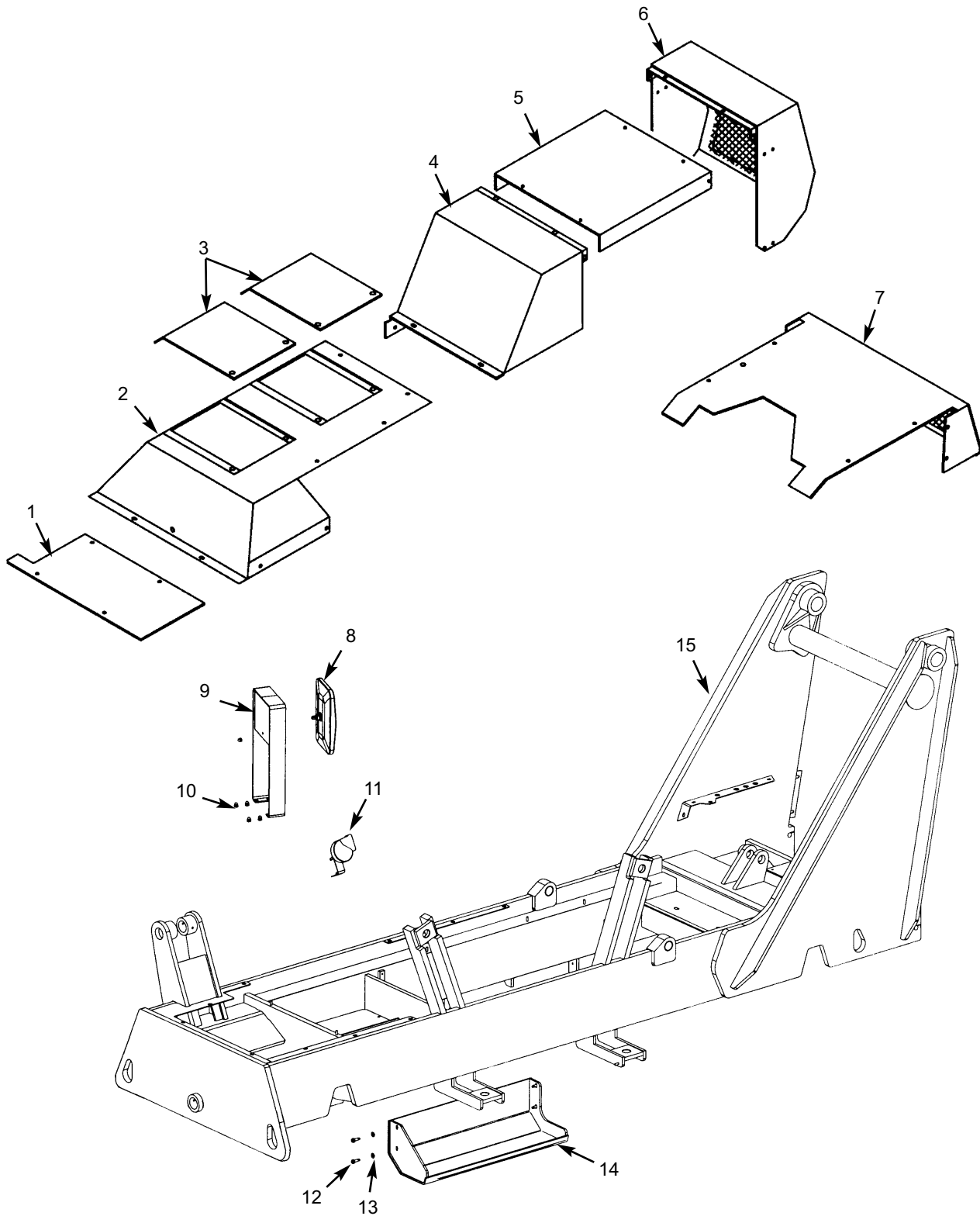


Frame Hoods and Covers

(552: S/N 1015 & Up; 553 S/N; 3340 & Up)

Ref. No.	Part No.	Description	Qty. Req.	Ref. No.	Part No.	Description	Qty. Req.
01	L50823	5/16"-18x1" BOLT	2	26	L68193	MID HOOD SECT. WLDMNT	1
02	L50141	5/16" FLAT WASHER	30	27	L68186	RADIATOR PANEL WLDMNT (RH) 1	
03	L50056	5/16" FLANGE NUT	5				
04	L62722	FASTNER RECEPTACLE	4			-- ITEMS NOT SHOWN --	
05	L62720	FASTNER STUD	4			HARNESS, MAIN FRAME	1
06	L68192	TOP ACCESS PANEL	1		L68777	See note c	
07	L68133	FASTNER, WING STYLE	4		L63550	See note d	
	L68134	STAR LOCK WASHER	4		L68268	RUBBER MOLDING AR	
	L68135	QUICK NUT	4			(used around various panels)	
08	L68171	RADIATOR GRILLE	1		L550003	5/16"-18X3/4" WELD STUDS	4
09	L50230	5/16"-18X3/4" BOLT	26			(used to fasten mirror brkt to tank)	
10	L68310	REAR HOOD WELDMENT	1			(FENDERS)	
11	L530004	5/16" NUT/CLIP RETAINING	24			FENDER, LEFT FRONT	1
12	L68182	REAR HOOD EXT WLDMNT	1		L63870	FENDER, LEFT, REAR	1
13	L68185	RADIATOR PANEL WLDMNT (LH). 1			L68449	FENDER, RIGHT SIDE	2
14	NSS	MAIN FRAME WELDMENT	1		L63864	(used on both front and back)	
15	L68205	FRONT HOOD WELDMENT	1				
16	L67756	MUFFLER GUARD WLDMNT	1				
17	L50145	3/8" FLAT WASHER	4				
18	L50442	3/8"-16X1-1/4" SELF TAP BOLT	4	a		552: S/N 1075 & Up	
19	L41847	HORN, 12V ELEC B21.	1			553: S/N 4832 & Up	
20	L52025	5/16"-18X3/4" BUTTN HD BOLT	4				
21		FRAME FRONT PANEL	1	b		552: Thru S/N 1074	
	L68866	See note a				553: Thru S/N 4831	
	L68210	See note b					
22	L68200	ACCESS COVER (Battery)	1	c		552: S/N 1057 & Up	
23	L63913	MIRROR BRACKET WLDMENT.	1			553: S/N 4519 & Up	
24	L50755	5/16"-18 ACORN NUT	5				
25	L63756	MIRROR, CONVEX 6-1/2"X10"	1	d		552: Thru S/N 1056	
						553: Thru S/N 4518	

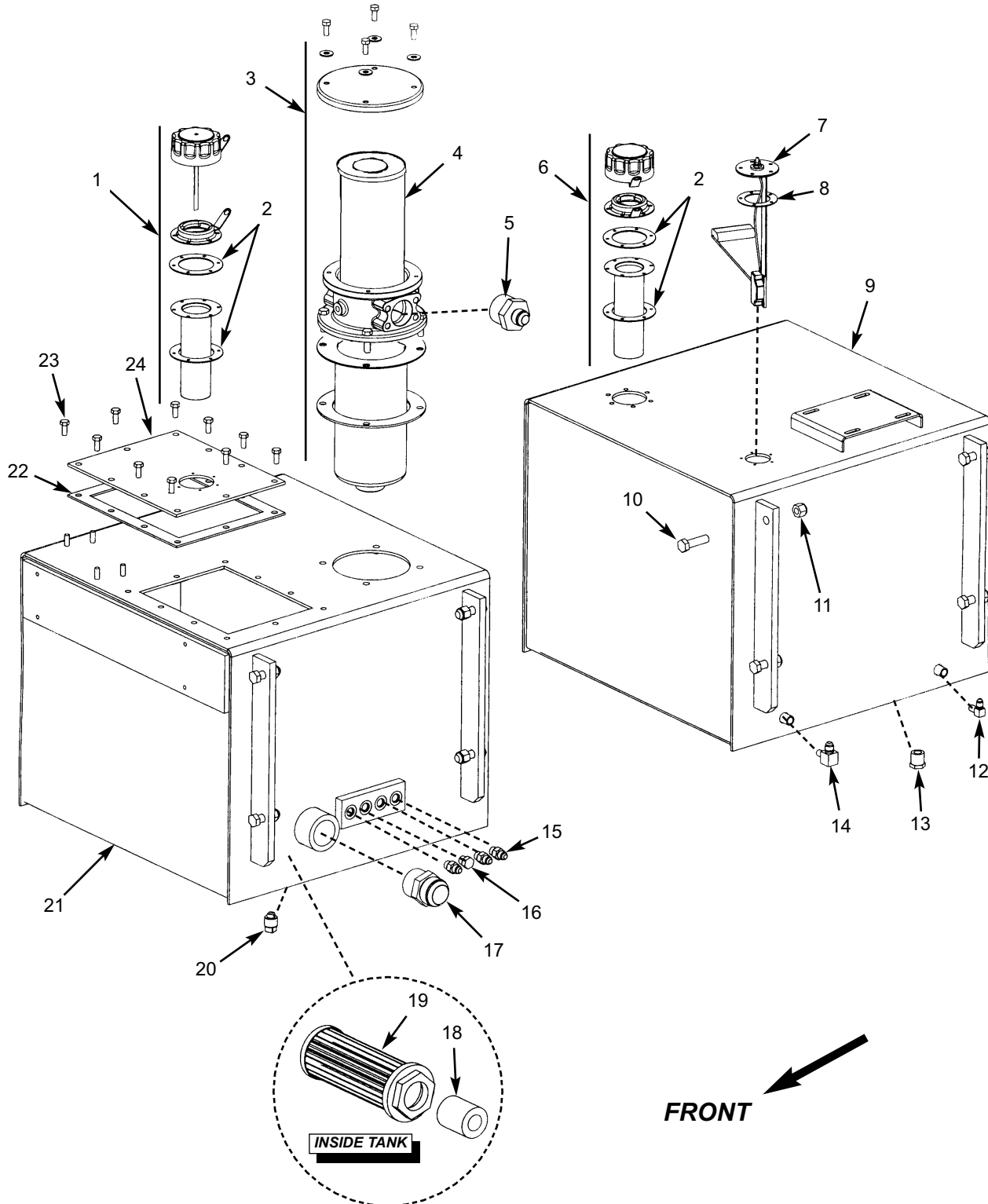
Frame Hoods and Covers
(552: Thru S/N 1014; 553: Thru S/N 3339)



Frame Hoods and Covers
(552: Thru S/N 1014; 553: Thru S/N 3339)

Ref. No.	Part No.	Description	Qty. Req.	Ref. No.	Part No.	Description	Qty. Req.
01	L63509	FRONT COVER	1	06	L63496	RADIATOR COVER	1
	L50230	5/16"-18X3/4 BOLT	4		L50230	5/16"-18X3/4" BOLT	8
	L50141	5/16" FLAT WASHER	4		L50143	5/16" LOCKWASHER	8
	L530004	5/16"-18 RET. NUT FASTNR.	4	07	L63524	REAR VALVE COVER	1
02	L63506	TRANSMISSION COVER.	1		L50230	5/16"-18X3/4" BOLT	8
	L50230	5/16"-18X3/4" BOLT	10		L50141	5/16" FLAT WASHER	8
	L50141	5/16" FLAT WASHER	10		L530004	5/16"-18 RET. NUT FASTNR.	8
	L530004	5/16"-18 RET. NUT FASTNR.	10	08	L63756	MIRROR, CONVEX 6-1/2"X10"	1
03	L63513	ACCESS COVER.	2	09	L63913	MIRROR BRACKET WLDMENT.	1
	L62720	STUD FASTENER	8	10	L50755	5/16"-18 ACORN NUT	5
	L62721	RETAINER	8	11	L41847	HORN, 12V ELEC B21.	1
	L62722	RECEPTACLE	8	12	L50442	3/8"-16X1-1/4" SELF TAP BOLT	4
04	L63516	FRONT ENGINE COVER.	1	13	L50145	3/8" FLAT WASHER.	4
	L50230	5/16" -18X3/4" BOLT	3	14	L67756	MUFFLER GUARD WLDMNT	1
	L50141	5/16" FLAT WASHER	3	15	NSS	FRAME	1
	L530004	5/16"-18RET. NUT FASTNR.	3				
05	L63503	ENG. TOP COVER (Older Style)	1			-- ITEMS NOT SHOWN --	
	L63361	ENG. TOP COVER.	1		L63550	HARNESS, MAIN FRAME	1
		(Newer Style, Longer Sides)			L68268	RUBBER MOLDING	AR
	L50230	5/16"-18X3/4" BOLT	10			(used around various panels)	
	L530004	5/16"-18 RET. NUT FASTNR.	10		L550003	5/16"-18X3/4" WELD STUDS	4
						(used to fasten mirror brkt to tank)	

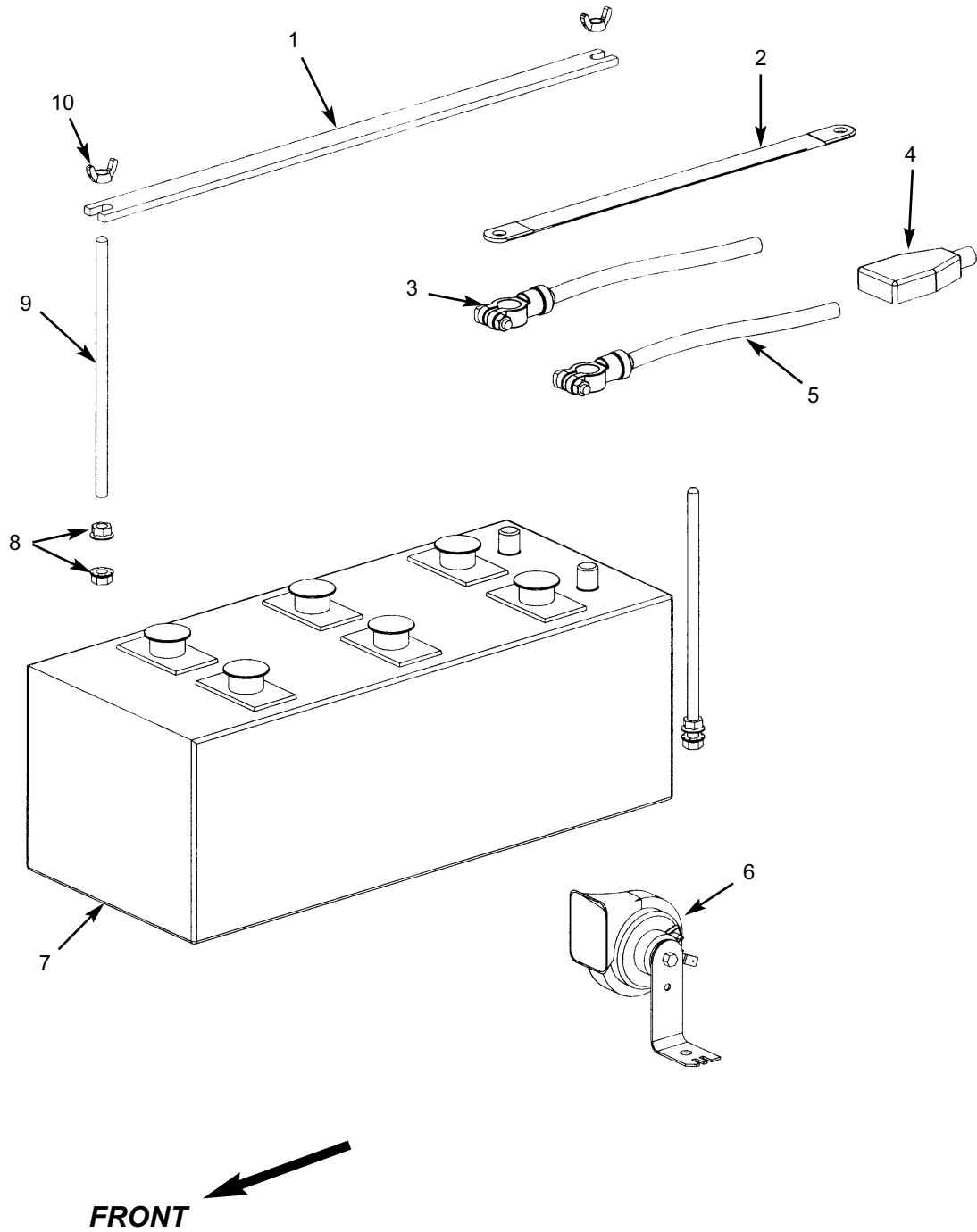
Hydraulic and Fuel Tanks



Hydraulic and Fuel Tanks

Ref. No.	Part No.	Description	Qty. Req.	Ref. No.	Part No.	Description	Qty. Req.
01	L63215	CAP, HYDRAULIC ASSEMBLY . . .	1	21		HYDRAULIC TANK	1
02	L99163	GASKET, FILLER NECK	4			<i>(Includes items 18-20)</i>	
03	L62831	ASSEMBLY, IN-TANK FILTER . . .	1		L68763	<i>See note a</i>	
	L98568	SEAL KIT	1		L63216	<i>See note b</i>	
	L97489	ELEMENT <i>(item #4)</i>	1	22	L65144	GASKET, RUBBER	1
04	L97489	ELEMENT	1	23	L50230	5/16"-18X1-1/4" BOLT	10
05	L63505	ADAP -12JICM -24NPTM STR. . .	1	24	L65142	PLATE, HYDRAULIC TANK COVR. .	1
06	L63798	CAP, FUEL ASSEMBLY	1			-- ITEMS NOT SHOWN --	
07	L61867	SENDER, FUEL LEVEL	1		L75906	CLAMP, HOSE #6	1
	L50418	#10-32X1/2" RD MACH SCREW . .	5			(Fenders)	
08	L41854	GASKET, FUEL SENDER	1		L63864	FENDER, RIGHT SIDE	2
09	L63217	FUEL TANK WELDMNT.	1			<i>(fits both front and rear)</i>	
		<i>(Includes item 13)</i>				(Mirror)	
10	L50286	1/2"-13X1-3/4" BOLT	8		L63756	MIRROR, CONVEX 6-1/2"X10" . . .	1
11	L520019	1/2"-13 NYLON INSERT NUT. . . .	8		L63913	BRACKET, MIRROR	1
12	L442022	ADAP -4JICM -4NPTM.	1		L50755	5/16"-18 ACORN NUT.	5
	L67616	HOSE -4 73" <i>(Fuel Return)</i>	1		L550003	WELD ON STUDS	4
13	L72175	PLUG, 1/2" NPT	1				
14	L81690	ADAP -6JICM -4NPTM.	1				
	L68619	HOSE -6 73" <i>(Fuel Supply)</i>	1				
15	L444002	ADAP -6ORM -6JICM STR.	3				
16	L446048	PLUG, -6ORM	1	a		552: S/N 1057 & Up	
17	L441010	ADAP -24NPTM -24JICM STR. . . .	1			553: S/N 4519 & Up	
18	L61620	1-1/2" THREADED PIPE	1				
19	L49327	STRAINER, HYD. OIL	1	b		552: Thru S/N 1056	
20	L43221	PLUG, 1/2"-14 MAGNETIC	1			553: Thru S/N 4518	

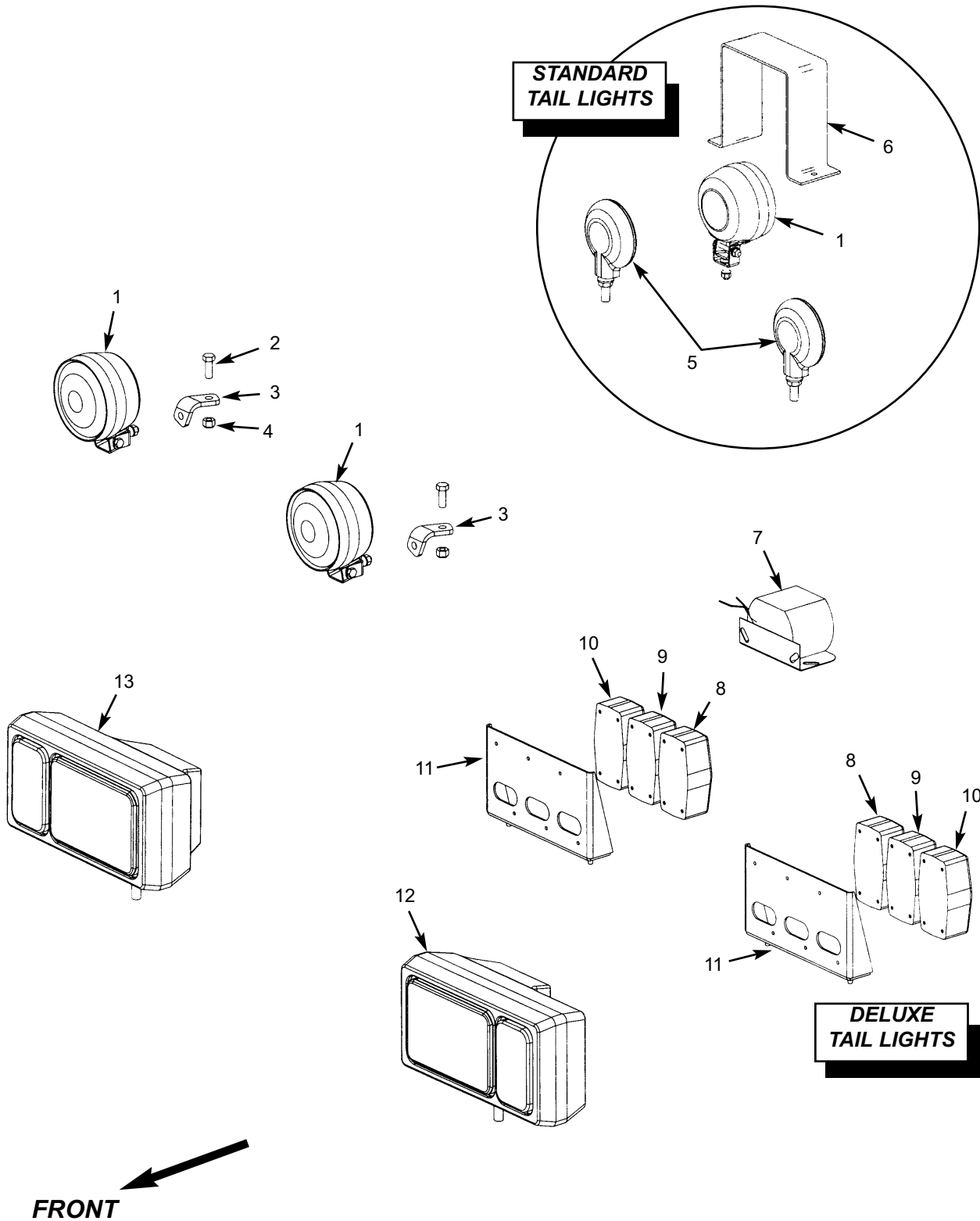
Battery Group



Battery Group

Ref. No.	Part No.	Description	Qty. Req.	Ref. No.	Part No.	Description	Qty. Req.
01	L63334	BAR, BATTERY HOLD DOWN	1	06	L41847	HORN, 12V ELEC B2I	1
02	L630004	GROUND STRAP, 14GA.X14"	1	07	NSS	BATTERY, 4DLT TYPE.	1
03	L630001	CABLE, NEG. BATTERY	1	08	L50061	3/8"-16 FLANGE NUT	4
04	L630003	BOOT, RUBBER	1	09	L70146	ROD, BATTERY HOLD DOWN . . .	2
05	L63248	CABLE, POS. BATTERY	1	10	L530003	3/8"-16 WING NUT.	2

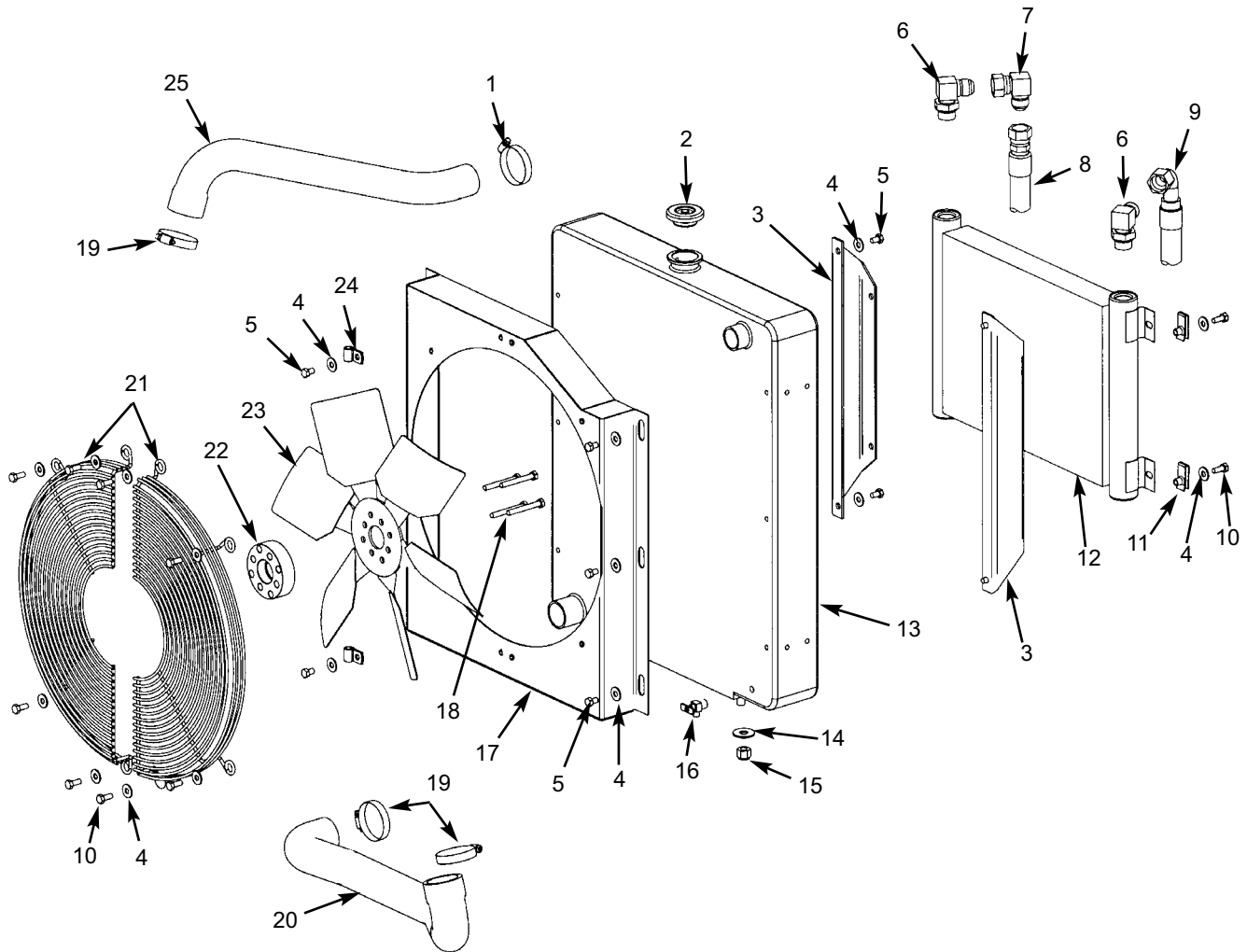
Lights



External Engine Components Group

Ref. No.	Part No.	Description	Qty. Req.	Ref. No.	Part No.	Description	Qty. Req.
01	NSS	ENGINE.....	1				
02 ^a	L41179 L63609	RELAY, ENGINE STARTER..... WIRE ASY. (<i>J. Deere eng.</i>)	1	00 ^a	L65570	ENGINE BLOCK HEATER.....	1
03 ^a	L68571	MOUNT, RELAY.....	1	00 ^h	L65568	ENGINE BLOCK HEATER.....	1
04	L64437	SENDER, WATER TEMP.....	1				
05	L69166 L68619 L67616 L75906	FUEL LINE TUBE..... HOSE, -6 K6/NONE 73" (<i>Supply</i>) . 1 HOSE, -4 K4/NONE 73" (<i>Return</i>) . 1 CLAMP, HOSE.....	1				
06	L66606	BRACKET, THROTTLE (JD).....	1				
07	L64664	COUPLER, ROD-CABLE.....	1				
08	L64663	ROD, THROTTLE EXTEND.....	1				
09	L580009	BALL JOINT #10-32 ROD END ...	1				
10	L50319	5/8"-11X3-1/2" BOLT.....	4				
11	L64124	MOUNT, VIBRATION ISOLATOR ..	4				
12	L64197	WASHER, ISOLATOR MOUNT ...	4				
13	L520007	5/8"-11 NYLON INSERT NUT.....	4				
14	L64646	SENDER, OIL PRESSURE.....	1				
15	L68596 L63453 L67685 L63262 L63443	<i>See note c</i> <i>See note d</i> <i>See note e</i> <i>See note f</i> <i>See note g</i>					
16	L68595 L68595 L67217 L67578 L63261 L63442	ENGINE MOUNT (LEFT)..... <i>See note c</i> <i>See note d</i> <i>See note e</i> <i>See note f</i> <i>See note g</i>	1				
17	L50667	M8X1.25X45M BOLT GR8.....	4				
18	L69718	ADAP, M18 -6NPTF STR.....	2				
19	L68592	SHUTOFF, MANUAL/WATER.....	1				
20	L68591	STEM, HOSE.....	1				
21	L68614 L99161 NSS	FAN BELT..... <i>See note c (John Deere)</i> <i>See note d and e (John Deere)</i> <i>(Perkins)</i>	1				
22 ^b	L447005	ADAP, M18 10 BEAD STR.....	1				
23 ^a	L68604	BRACKET, ALTERNATOR.....	1				
						-- ITEMS NOT SHOWN --	
						(<i>Filters</i>)	
						FUEL FILTER.....	1
					L99978	552: w/JD Engine S/N 1011 & Up 553: w/JD Engine S/N 3127 & Up	
					L98600	552: w/JD Engine Thru S/N 1010 553: w/JD Engine Thru S/N 3126 With Perkins Engine.	
					L98602		
						OIL FILTER.....	1
					L99420	552: w/JD Engine S/N 1021 & Up 553: w/JD Nat.Eng. S/N 3917 & Up 553: w/JD Turbo Eng S/N 3630 & Up	
					L94746	552: w/JD Engine Thru S/N 1020 553: w/JD Nat. Eng Thru S/N 3916 553: w/JD Turbo Eng Thru S/N 3629 With Perkins Engine.	
					L98601		
						(<i>Ether</i>)	
					L66855	ETHER KIT.....	1
					L66360	CANNISTER AND MOUNT.....	1
					L68054	SWITCH, ROCKER (ETHER)....	1
					L650004	TERMINAL BLOCK.....	1
				a		Used with John Deere engines.	
				b		Replaces item 23 and (1) of item 21.	
				c		552: with J.D. Engine S/N 1021 & Up 553 with J.D. Turbo engine S/N 3630 & Up. 553 with J.D. Natural engine S/N 3917 & Up.	
				d		552: with J.D. Natural engine Thru S/N 1020 553 with J.D. Natural engine Thru S/N 3916.	
				e		552 with J.D. Turbo engine Thru S/N 1020 553 with J.D. Turbo engine Thru S/N 3629	
				f		With Perkins 1004-4 Engine.	
				g		With Perkins 4.236 Engine.	
				h		Used with Perkins engines.	

Radiator and Cooler Group

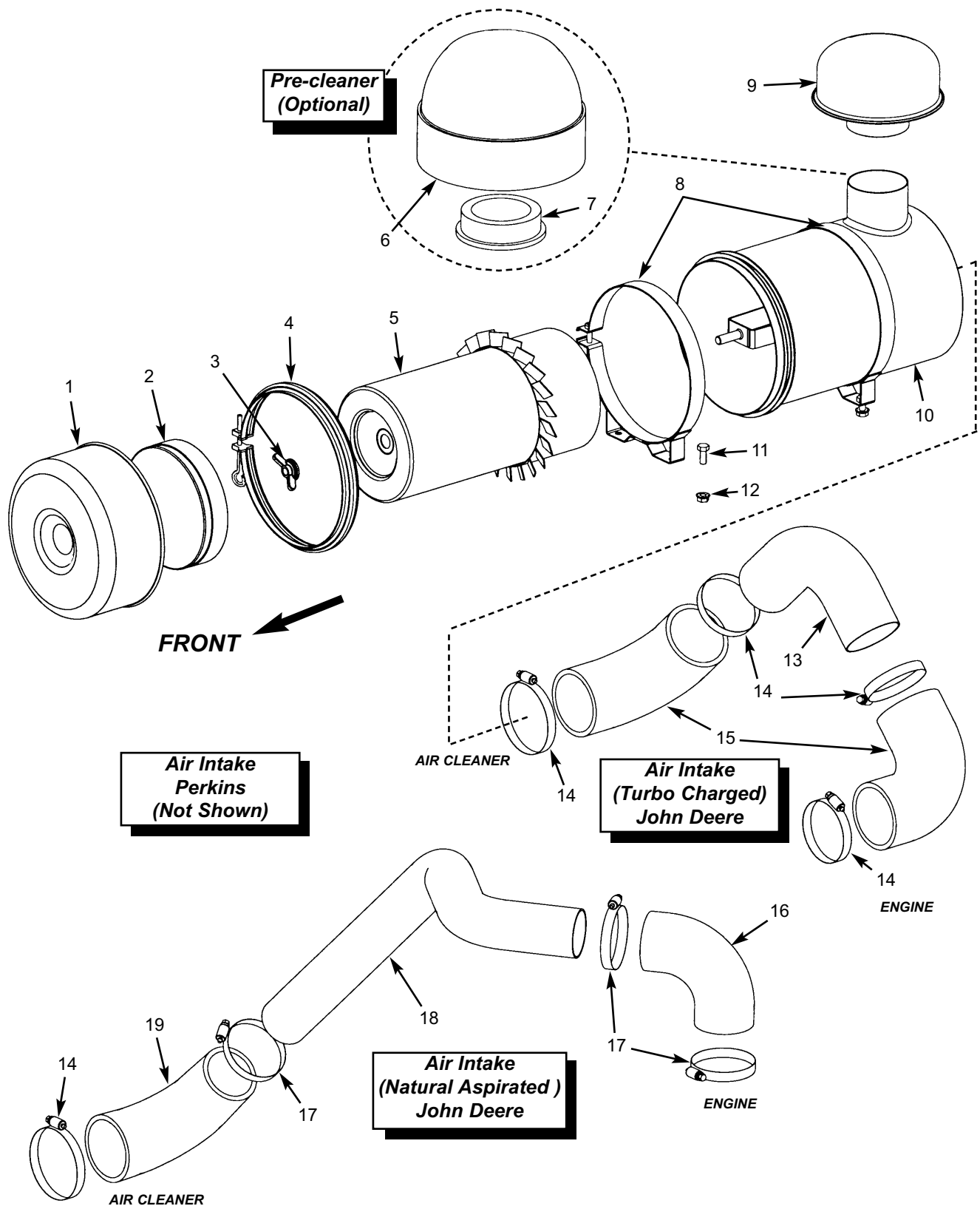


FRONT

Radiator and Cooler Group

Ref. No.	Part No.	Description	Qty. Req.	Ref. No.	Part No.	Description	Qty. Req.
01	L76084	HOSE CLAMP	1	23	L66265	FAN, 18"	1
02		RADIATOR CAP	1	24	L47212	VINYL CLAMP 3/8" HOSE	2
	L96989	See note a		25	L68539	UPPER RADIATOR HOSE	1
	L99433	See note b			L68539	See note e	
03	L63356	COOLER MOUNT	2		L61136	See note f	
04	L50141	5/16" FLAT WASHER	22		L64055	See note g	
05	L50228	5/16"-18X1/2" BOLT	10				
06	L445001	ADAP, -12ORM -12JICM 90 DEG	2	a		Modine and Raidator Specialites Radiators (Refer to tag on radiator)	
07 ^h	L446020	ADAP -12JICFS -12JICM 90 DEG	1				
08		HOSE	1	b		Indiana Heat Transfer Radiators (Refer to tag on radiator)	
	L67452	See note a (-12 A12/DS12 135")					
	L63400	See note b (-12 A12/DS12 76")		c		Used With All J.D. Turbo Engines 552: with J.D. Natural Engine S/N 1021 & Up 553 with J.D. Natural engine S/N 3917 & Up.	
09	L63399	HOSE -12 DS12/A12 82"	1				
10	L50230	5/16"-18X3/4" BOLT	12	d		552: with J.D.Natural engine Thru S/N 1020 553 with J.D. Natural engine Thru S/N 3629 552/553 with Perkins Engine	
11	L530004	5/16" NUT RETAINING CLIP	4	e		552: with J.D. Engine S/N 1021 & Up 553 with J.D. Turbo engine S/N 3630 & Up. 553 with J.D. Natural engine S/N 3917 & Up.	
12	L66119	COOLER/HEAT-EXCHANGER	1	f		552: with J.D.Natural engine Thru S/N 1020 553 with J.D. Natural engine Thru S/N 3916. 552 with J.D. Turbo engine Thru S/N 1020 553 with J.D. Turbo engine Thru S/N 3629	
13	L45934	RADIATOR	1	g		Used with Perkins Engines	
14	L50151	1/2" FLAT WASHER	2	h		552: S/N 1015 and Up 553: S/N 3340 and Up	
15	L520019	1/2"-13 NYLON INSERT NUT	2	i		552: Thru S/N 1014 553: Thru S/N 3339	
16	L40805	VALVE, DRAIN COCK	1				
17		FAN SHROUD	1				
	L67589	See note c					
	L66515	See note d					
18	L50815	5/16"X2-1/2" BOLT	4				
19	L76020	HOSE CLAMP	3				
20		LOWER RADIATOR HOSE	1				
	L68580	See note e					
	L66414	See note f					
	L64047	See note g					
	L46881	CONNECTING TUBE	1				
	L75020	HOSE CLAMP	4				
21		FAN GUARD (HALF)	2				
	L63665	Standard (Shown)					
	L67751	With Air Conditioning					
22	L66709	FAN SPACER 1"	1				

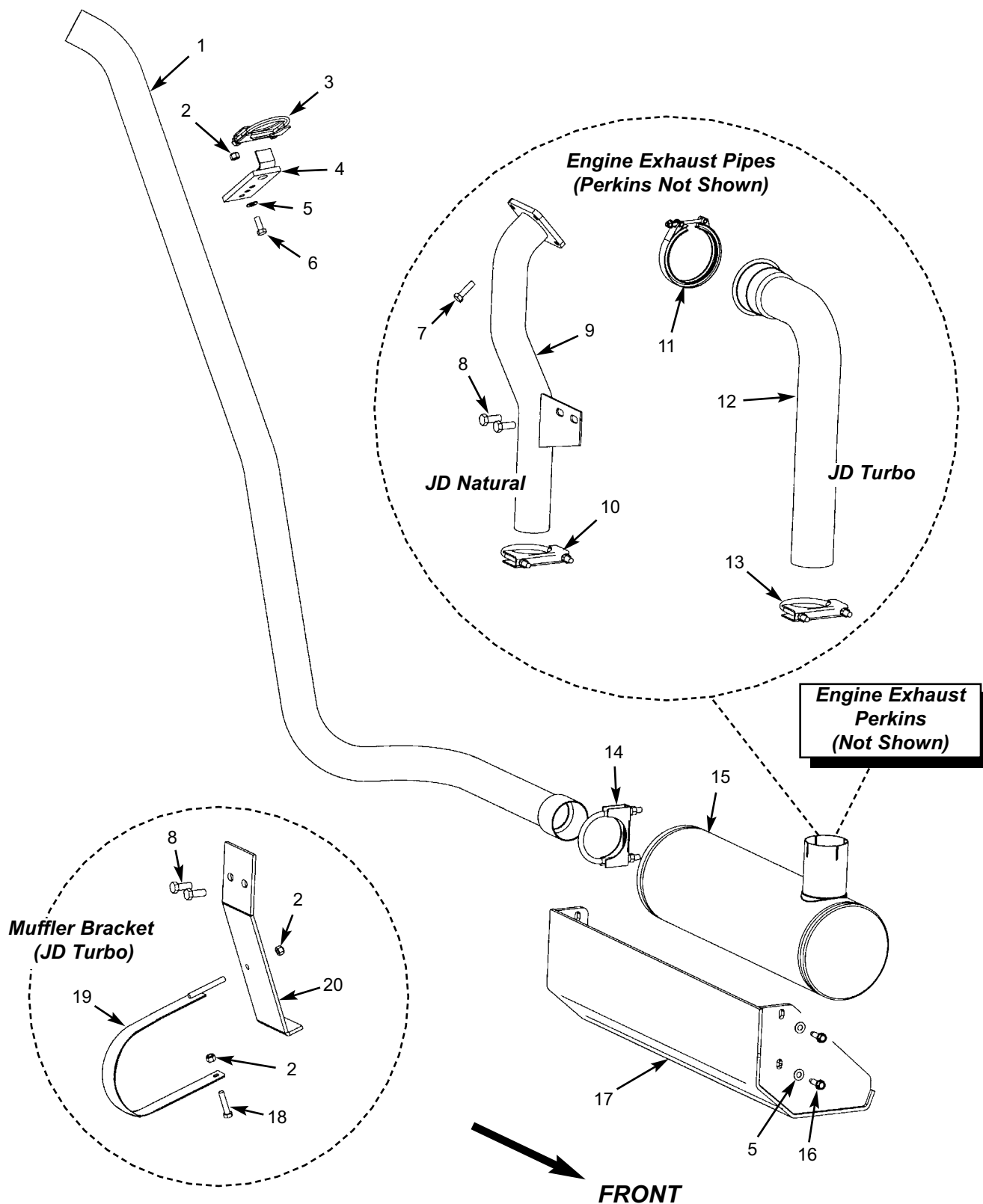
Engine Air Intake Group



Engine Air Intake Group

Ref. No.	Part No.	Description	Qty. Req.	Ref. No.	Part No.	Description	Qty. Req.
	L120038A	AIR CLEANER ASSEMBLY 1 (Includes items 1-5, and 10)			L67607	See note d	
01	L98678	DUST CUP ASSEMBLY 1 (Includes item 2)		19 ^b	L63764	See note e	
02	L98677	BAFFLE (Included with item 1) 1			L64788	ELBOW, RUBBER 3"IDX2-1/2" ID . . 1	
03	078936	WING NUT 1			-- ITEMS NOT SHOWN --		
04	L98647	TIGHTENING CLAMP 1			(PERKINS - AIR INTAKE)		
	L98649	THUMBSCREW 1		00	L63551	AIR INTAKE PIPE 1	
05	L120054	ELEMENT 1		00	L120041	ELBOW, RUBBER 3"ID 1 (attaches to air cleaner & intake pipe)	
06	L68516	PRE-CLEANER (Optional) 1		00	L63439	ELBOM, RUBBER 1 (attaches to air intake pipe & engine)	
	L70468	4" T-BOLT BAND CLAMP 1		00	L51674	HOSE CLAMP 3	
07	L68517	REDUCER, RUBBER 4"-3" 1		00	L51098	HOSE CLAMP 1	
08	L120039	BAND, FILTER MOUNTING 2					
09	L60291	AIR INTAKE CAP (Standard) 1					
10	NSS	AIR CLEANER BODY 1		a	Used on John Deere turbo equipped engine.		
11	L50230	5/16"-18X3/4" BOLT 4		b	Used on John Deere natural aspirated engine.		
12	L50056	5/16"-18 FLANGE NUT 4					
13 ^a	L67657	ELBOW, METAL 3" 1		c	552: S/N 1021 & Up 553: S/N 3917 & Up		
14 ^a	L51099	CLAMP, HOSE SAE #52 5					
15 ^a	L120041	ELBOW, RUBBER 3"ID 2		d	552: S/N 1015 - 1020 553: S/N 3340 - 3916		
16 ^b	L63439	ELBOW, RUBBER 2-1/2" ID 1					
17 ^b	L66877	CLAMP, HOSE SAE #44 3		e	552: Thru S/N 1014 553: Thru S/N 3339		
18 ^b	L68643	AIR INTAKE PIPE 2-1/2" OD 1 See note c					

Engine Exhaust Group



Engine Exhaust Group

Ref. No.	Part No.	Description	Qty. Req.	Ref. No.	Part No.	Description	Qty. Req.
01	L68529	TAILPIPE	1		L120047	<i>Note a & note c (2-1/2" CLAMP)</i>	
	L67617	<i>Note g (2-1/2" OD)</i>			L60492	<i>Note b (3" CLAMP)</i>	
	L63636	<i>Note a & c (2-1/4" OD)</i>		15		MUFFLER	1
	L67626	<i>Note a & c (Before 10/93 production)</i>			L63660	<i>See note a and note c</i>	
		<i>Note e</i>			L64821	<i>See note b</i>	
02	L520005	3/8"-16 NYLON INSERT NUT	3	16	L50442	3/8"-16X1-1/4" SELF TAP BOLT	4
03		MUFFLER CLAMP	1	17	L67756	MUFFLER GUARD	1
	L48011	<i>Note a (2-1/4" CLAMP)</i>		18	L50836	3/8"-16X1-3/4" BOLT	1
	L120047	<i>Note b (2-1/2" CLAMP)</i>		19 ^b	L61021	MUFFLER STRAP	1
04	L64764	TAILPIPE HANGER	1	20 ^b	L64572	MUFFLER BRACKET	1
05	L50145	3/8" FLAT WASHER	5				
06	L50367	3/8"-16X1" BOLT	1			-- ITEMS NOT SHOWN --	
07	L50952	M10 1.5X25mm BOLT	4	00	L63919	HEAT SHIELD	1
	L500314	EXHAUST GASKET	1			<i>(Units with heat shield on tailpipe)</i>	
08	L500315	M12 1.75X39mm BOLT	2			(PERKINS - ENGINE EXHAUST)	
09 ^a		EXHAUST PIPE (<i>JD Natural</i>)	1	00	L63664	EXHAUST PIPE	1
	L68651	<i>Note f</i>				<i>(attch. muffler & exh. manifold pipe)</i>	
	L500314	Gasket (<i>4 bolt holes</i>)		00	L63648	EXHAUST MANIFOLD PIPE	1
	L63650	<i>Note d</i>				<i>(attaches to exhaust manifold)</i>	
	L66595	Gasket		00	L48011	MUFFLER CLAMP 2-1/4"	1
10 ^a	L120047	2-1/2" MUFFLER CLAMP	1	00	L120047	MUFFLER CLAMP 2-1/2"	1
11 ^b		TURBO CLAMP	1				
	L99434	<i>Note g (553: S/N 3630 & Up)</i>		<i>a</i>		<i>Used with John Deere natural aspirated engine.</i>	
	L98726	<i>Note e</i>		<i>b</i>		<i>Used with John Deere turbo charged engine.</i>	
12 ^b		EXHAUST PIPE (<i>JD Turbo</i>)	1	<i>c</i>		<i>Used with Perkins engine.</i>	
	L68544	<i>Note g (553: S/N 3630 & Up)</i>		<i>d</i>		<i>John Deere 4039 Natural Engine</i>	
	L65025	<i>Note e</i>		<i>e</i>		<i>John Deere 4039T Turbo Engine</i>	
13 ^b	L60492	3" MUFFLER CLAMP	1	<i>f</i>		<i>John Deere 4045 Natural Engine</i>	
14		MUFFLER CLAMP		<i>g</i>		<i>John Deere 4045T Turbo Engine.</i>	

External Components and Driveshaft Group

Ref. No.	Part No.	Description	Qty. Req.	Ref. No.	Part No.	Description	Qty. Req.
01	L63633	PARK BRAKE CABLE	1		L50147	3/8" LOCK WASHER.	8
	L42342	CLEVIS PIN	2	22 ^c	L50833	3/8"-24X2" GRADE 8 BOLT	8
	L50609	COTTER PIN	2	23		TRANS MOUNT, LEFT.	1
	L47275	CABLE CLAMP.	1		L68531	<i>Note f</i>	
	L50367	3/8"-16X1" BOLT	1		L67574	<i>Note g</i>	
	L50056	3/8"-16 FLANGE NUT	1		L63263	<i>Note h</i>	
02	L63399	HOSE -12 A12/DS12 82"	1	24	L71637	BRACKET, PARK BRAKE	1
03	L444001	ADAP, -12ORM -12JICM STR	1	25	L50952	M10X1.5X25mm.	10
04	L66965	SENDER, TEMP 250 DEGREE	1	26 ^d	L50727	M10X1.5X35mm	2
05	L444007	ADAP, -10ORM -12JICM STR	1	27	L99184	FILTER, TRANSMISSION OIL	1
06	L67452	HOSE -12 DS12/A12 135"	1				
07	L444070	ADAP, -3ORM	1				
08	L68588	SWITCH, PRESSURE	1				
09		DRIVESHAFT, FRONT.	1				
	L68562	553 Only; S/N 3630 & Up.					
	L63202	553 Only; S/N 3126-3355.					
	L63129	552: S/N 1001 & Up 553: S/N 3001-3125 & 3356-3629.					
10 ^a	L50468	3/8"-24X1-3/4" GR8 BOLT	16				
11	L50319	5/8"-11X3-1/2" BOLT	2				
12	L50704	M12X1.75X40mm BOLT	4				
13	L520007	5/8"-11 NYLON INSERT NUT.	2				
14	L64197	WASHER, ISOLATOR MOUNT	2				
15	L64124	MOUNT, VIBRATION ISOLATOR	2				
16	L64196	SPACER	2				
17		TRANS MOUNT, RIGHT	1				
	L68533	<i>Note f</i>					
	L67575	<i>Note g</i>					
	L63264	<i>Note h</i>					
18		TRANSMISSION,T12000	1				
	L68296	Used with turbo engine					
	L66917	Used with natural engine					
19		DRIVESHAFT, REAR.	1				
	L68563	553 Only; S/N 3630 & Up.					
	L63203	553 Only; S/N 3126-3355.					
	L63078	552: S/N 1001 & Up 553: S/N 3001-3125 & 3356-3629.					
20	<i>Note e</i>	UNIVERSAL JOINT	4				
	L10151	GREASE ZERK	2				
21 ^b	650965	3/8"-24X1-1/4" GR 8 BOLT.	8				

a Used to fasten universal joint to transmission and to axle yokes.

b Used to fasten universal joint to driveshaft.

c Used to fasten flex plate to flywheel.

d Used to fasten throttle bracket to transmission

e **L99182** - 5C Non-Greaseable, directly interchangeable w/L98555 except is non-greaseable, has tapped Bearing Cans for mounting to Shaft.
552: S/N 1008 & Up.
553: S/N 3356 & Up.
L99076 - 5C Lube-For-Life has through-hole Bearing Cans for mounting to tapped shaft.
552: S/N Not Available.
553: S/N 3126 thru 3355.
L98555 - 5C Greaseable, has tapped Bearing Caps for mounting to Shaft.
552: S/N 1001 thru 1007.
553: S/N 3001 thru 3125.

f 552: S/N 1021 & Up
553: S/N 3630 & Up

g 552: Used w/J.D. Turbo engine Thru S/N 1020
553: Used w/J.D. Turbo engine Thru S/N 3629

h 552: Used w/J.D. Natural engine Thru S/N 1020
553: Used w/J.D. Natural engine Thru S/N 3629

HOSE LOCATOR

02	TRANSMISSION (RIGHT SIDE)	OIL COOLER (LEFT SIDE)
06	TRANSMISSION (LEFT SIDE)	OIL COOLER (RIGHT SIDE)

Internal Components

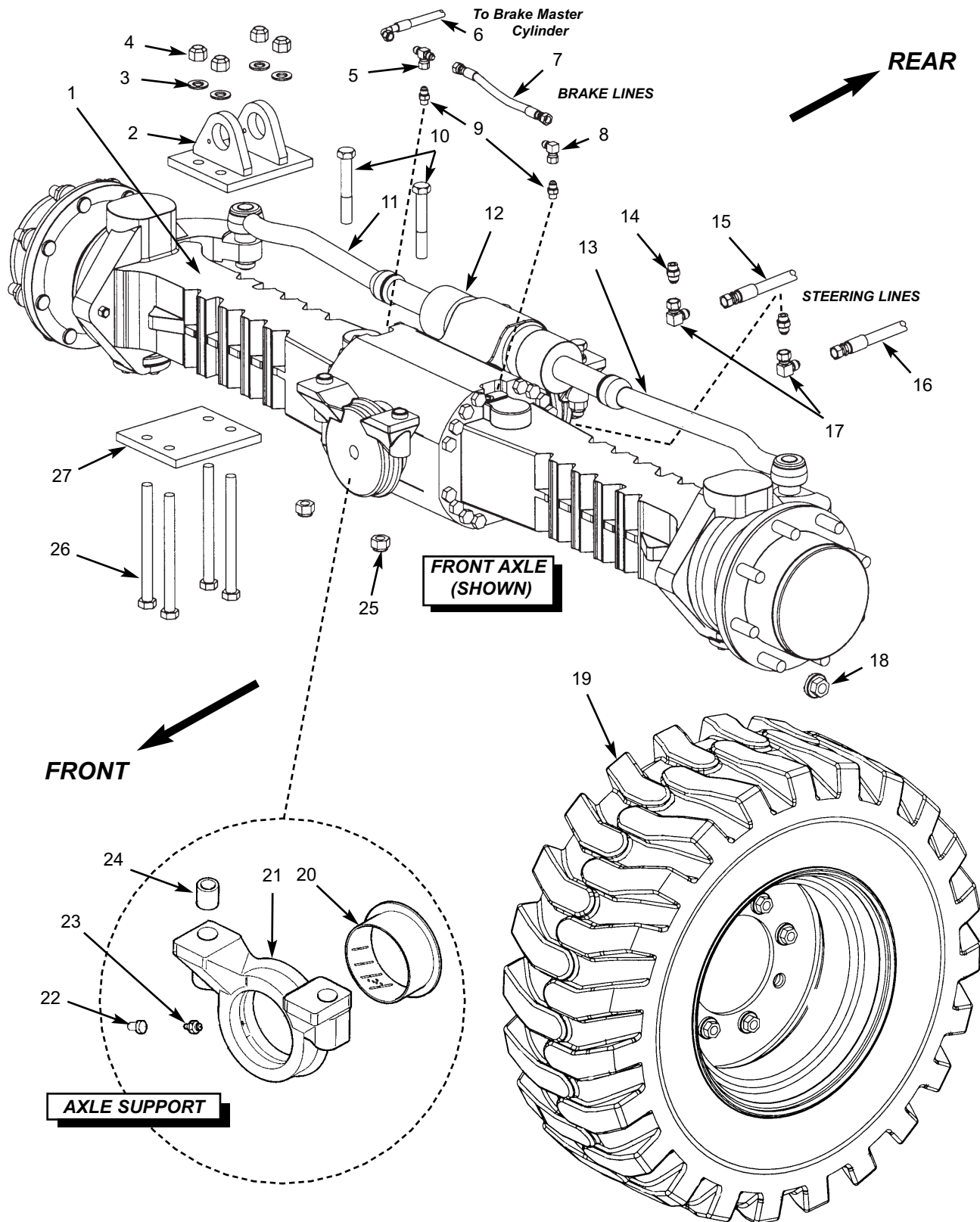
NOTICE

***FOR INTERNAL PARTS BREAKDOWN OF
THE 12000 SERIES TRANSMISSION,
REFER TO SEPERATE
MANUAL FORM 907368.***

***IF YOU DO NOT HAVE THIS MANUAL, IT
CAN BE ORDERED BY CALLING
SERVICE PARTS AT (605)665-6500.***

Notes

External Components
(552: S/N 1075 and Up; 553: S/N 4832 and Up)



External Components

(552: S/N 1075 and Up ; 553: S/N 4832 and Up)

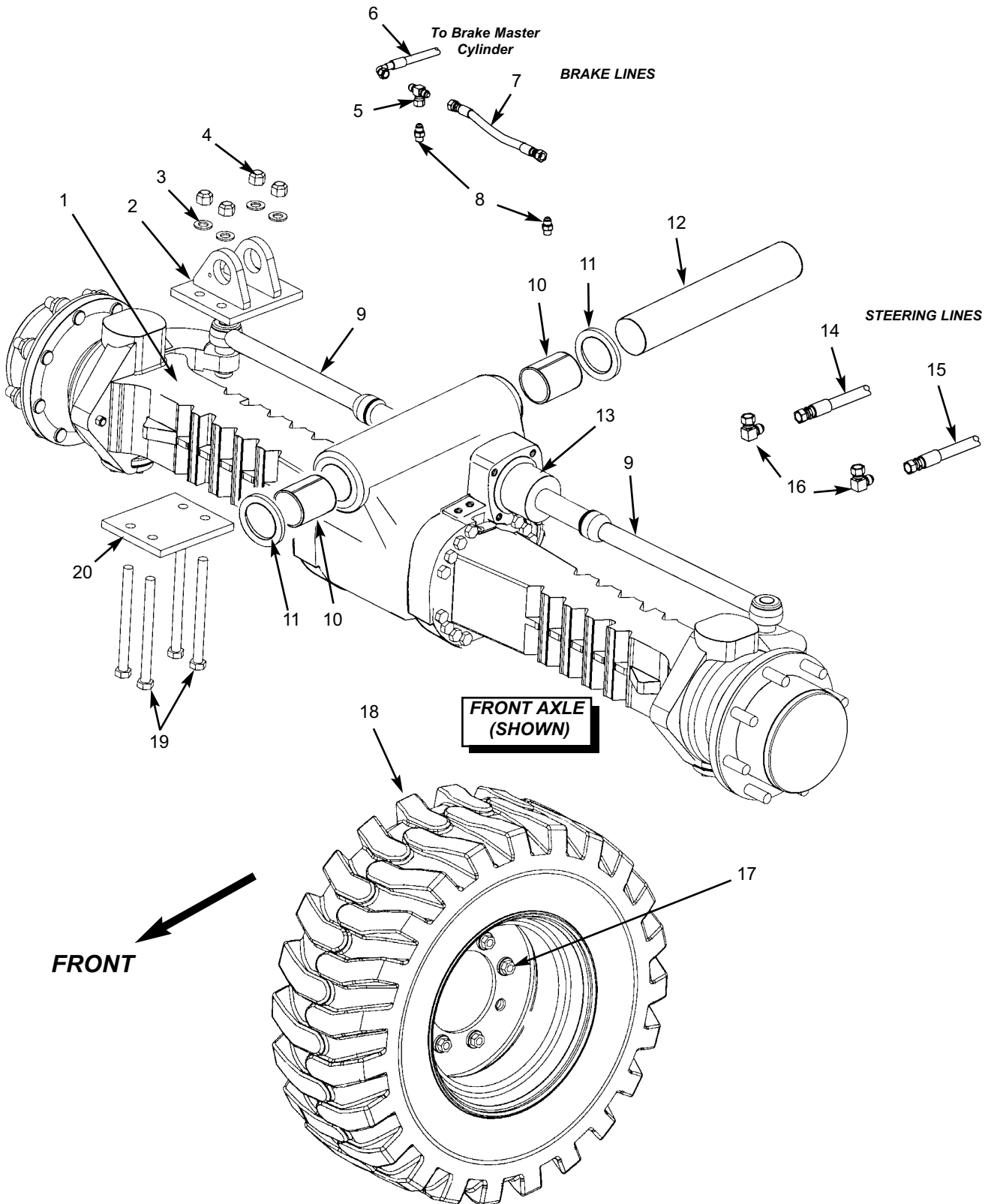
Ref. No.	Part No.	Description	Qty. Req.	Ref. No.	Part No.	Description	Qty. Req.
<i>NOTE: All quantities are per axle.</i>				18	L69734	M22X1.5 WHEEL NUT	16
01	L68849	AXLE, MODEL 212/233	2	19	L63222	TIRE AND WHEEL ASY	AR
02 ^a	L68878	FRAME LEVEL MOUNT	1		L45049	VALVE STEM	1
03 ^a	L50157	3/4" WASHER, FLAT	4		L68875	TIRE, 15.00X19.5 12 PLY	1
04 ^a	L50084	3/4"-10 STOVER LOCK NUT	4			WHEEL ONLY (for tire L45049)	1
05	P471370	ADAP, -6JICM -6JICFS TEE	1		L67499	TIRE, 405/70R 20XM27	1
06	L63382	HOSE, -4 A4/DS6 88"	1		L68884	WHEEL ONLY (for tire L67499)	1
07	L63381	HOSE, -4A6/A6 15"	1				
08	L60653	ADAP, -6JICFS -6JICM 90 DEG	1		L67502	TIRE, 9.00R 20XMINE D2	1
09	L66139	ADAP, M14ORM -6JICM STR	2		L67504	WHEEL ONLY (for tire L67502)	1
10 ^a	651543	M20X2.5X130mm C10 BOLT	4	20	L500543	THRUST BUSHING	2
11	L500546	ARTICULATED TIE ROD W/NUT	1	21	L500544	SUPPORT	2
		(Right Front, Left Rear)		22	L500490	PLUG	2
12	L500540	STEER CYLINDER	1	23	L98355	GREASE FITTING	2
	L500539	STEER CYLINDER BOLT	4	24	L500542	REDUCTION BUSHING	2
13	L500541	ARTICULATED TIE ROD W/NUT	1	25	L50201	M20X2.5 NYL. LOCK NUT C10	4
		(Left Front, Right Rear)		26	L50712	3/4"-10X9" GR8 BOLT	4
14	100011	ADAP, M18ORM -8JICM STR	2	27 ^a	L68876	PLATE, FRAME LEVEL	1
15	L63386	HOSE, -6 A8/A6 36"	1				
		(front axle right side)					
	L63403	HOSE, -6 A8/DS6 110"	1				
		(rear axle right side)					
16	L63387	HOSE, -6 A8/DS8 67"	1				
		(front axle left side)					
	L63388	HOSE, -6 A8/DS6 100"	1				
		(rear axle left side)					
17	L446017	ADAP, -8JICFS -8JICM 90 DEG	2				

a Used only on front axle.

HOSE LOCATOR

15	STEER CYLINDER, FRONT AXLE RIGHT SIDE	STEER SELECT VALVE PORT "T"
	STEER CYLINDER, REAR AXLE RIGHT SIDE	STEER SELECT VALVE PORT "B"
16	STEER CYLINDER, FRONT AXLE LEFT SIDE	STEER MOTOR PORT "L"
	STEER CYLINDER, REAR AXLE LEFT SIDE	STEER SELECT VALVE PORT "A"

External Components
(552: Thru S/N 1074; 553: Thru S/N 4831)



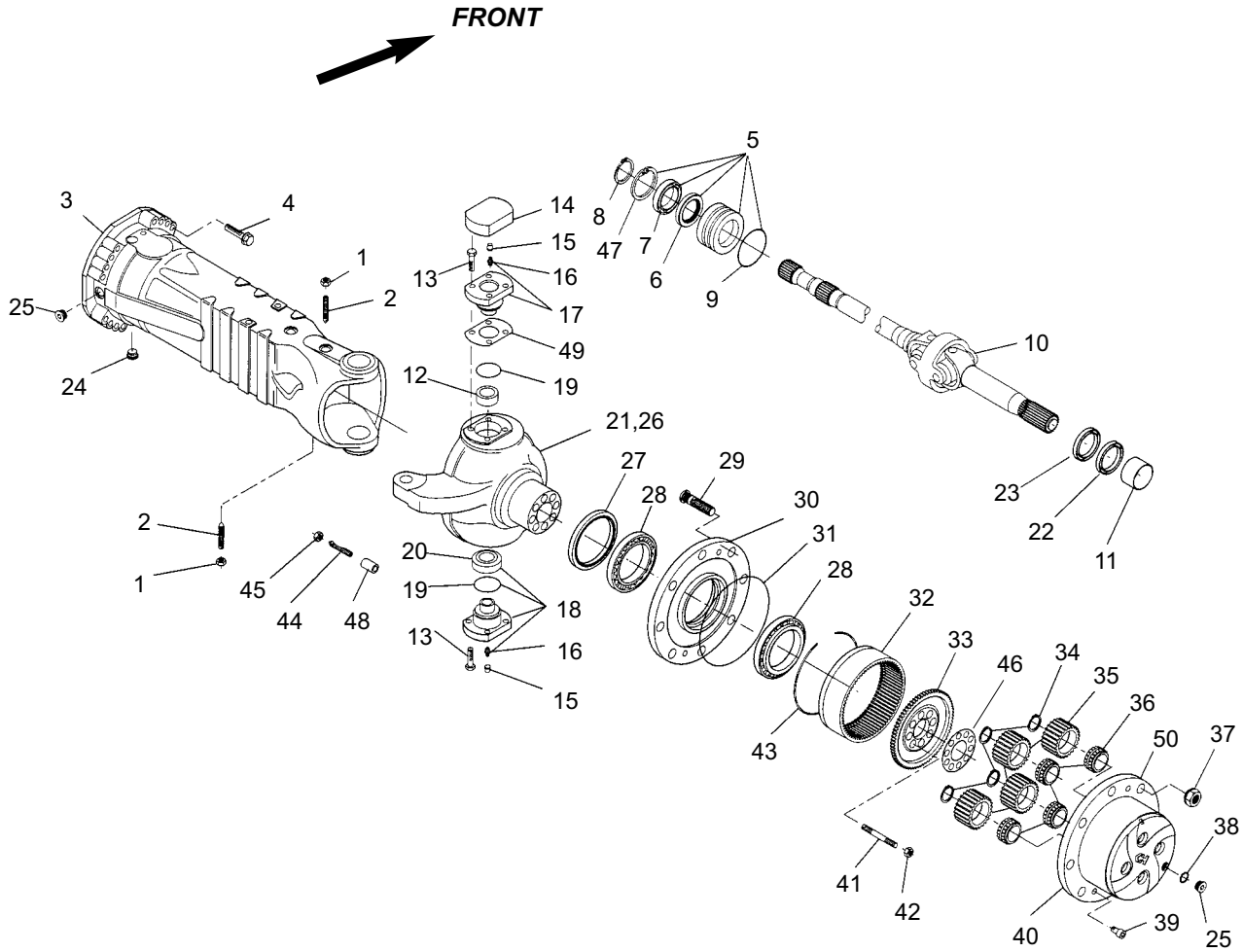
External Components
 (552: Thru S/N 1074; 553: Thru S/N 4831)

Ref. No.	Part No.	Description	Qty. Req.	Ref. No.	Part No.	Description	Qty. Req.
<i>NOTE: All quantities are per axle.</i>				17	L98345	WHEEL NUT	16
01	L63234	AXLE, ASSEMBLY	2	18		WHEEL & TIRE	AR
02 ^a	L63009	FRAME LEVEL MOUNT	1		L63222	VALVE STEM	1
03 ^a	L50157	3/4" WASHER, FLAT	4		L45049	TIRE, 15-19.5 12 PLY	1
04 ^a	L50084	3/4"-10 STOVER LOCK NUT	4		L63044	WHEEL (FOR L45049 TIRE)	1
05	L446049	ADAP, -6JICM -6JICFS SVL TEE	1		L67499	TIRE, 405/70 R20	1
06	L63382	HOSE, -4 A4/DS6 88"	1		L67498	WHEEL(FOR L67499 TIRE)	1
07	L63381	HOSE, -4A6/A6 15"	1		L67502	TIRE, 9.00XR20XMINE D2	1
08	L66139	ADAP, M14ORM -6JICM STR	2		L67504	WHEEL (FOR L67502 TIRE)	1
09 ^b	L98443	ARTICULATED TIE ROD W/NUT	2		L67507	FLAP	1
	L99969	TIE ROD NUT	2		L67508	TUBE	1
10	L98422	THRUST BUSHING	2	19	L50712	3/4"-10X9" GR8 BOLT	4
11	L63280	THRUST WASHER, THICK	2	20 ^a	L63115	MOUNT PLATE	1
	L63943	THRUST WASHER, THIN	2				
12	L63114	AXLE PIVOT PIN	1				
	L50462	1/2"-13X5" BOLT	1				
	L520019	1/2"-13 NYLON INSERT NUT	1				
13	L98444	STEER CYLINDER ASSEMBLY	1	<i>a</i>		<i>Used on front axle only.</i>	
	L98445	CYLINDER BOLT	5	<i>b</i>		<i>The left and right side use the same tie rod, the tie rod ends are not sold seperately.</i>	
	L98565	SEAL KIT	1				
	L98430	VENT BOLT	1				
14	L63386	HOSE, -6 A8/A6 36"	1				
		(front axle right side)					
	L63403	HOSE, -6 A8/DS6 110"	1				
		(rear axle right side)					
15	L63387	HOSE, -6 A8/DS8 67"	1				
		(front axle left side)					
	L63388	HOSE, -6 A8/DS6 100"	1				
		(rear axle left side)					
16	L66138	ADAP, 18X1.5ORM -8JICM 90D.	2				

HOSE LOCATOR

14	STEER CYLINDER, FRONT AXLE RIGHT SIDE	STEER SELECT VALVE PORT "T"
	STEER CYLINDER, REAR AXLE RIGHT SIDE	STEER SELECT VALVE PORT "B"
15	STEER CYLINDER, FRONT AXLE LEFT SIDE	STEER MOTOR PORT "L"
	STEER CYLINDER, REAR AXLE LEFT SIDE	STEER SELECT VALVE PORT "A"

Outer End Group
(552: S/N 1075 and Up; 553: S/N 4832 and Up)

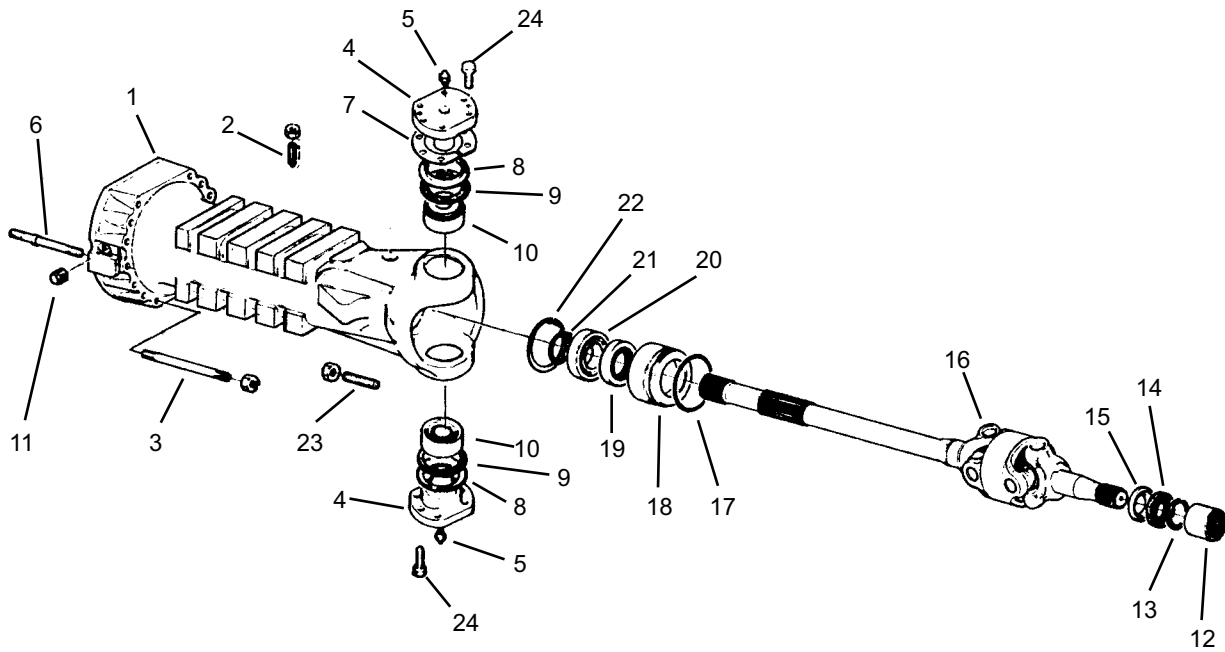


Outer End Group

(552: S/N 1075 and Up; 553: S/N 4832 and Up)

Ref. No.	Part No.	Description	Qty. Req.	Ref. No.	Part No.	Description	Qty. Req.
<i>NOTE: All quantities are per axle.</i>				25	L98318	PLUG	4
01	L500483	NUT	2	26	L500504	STEERING CASE - RF/LR	1
02	L500484	STEERING ADJUST BOLT	2			<i>(includes item 11)</i>	
03	L500485	AXLE CASE	2	27	L500505	SEAL	2
04	L500486	BOLT	32	28	L500506	BEARING	4
05	L500488	REDUCTION BUSHING	2	29	L500507	WHEEL STUD	16
		<i>(includes items 6-9, and 47)</i>		30	L500508	WHEEL HUB	2
06	L500489	SEAL	2	31	L98417	O-RING	2
07	L98371	BALL BEARING	2	32	L500509	RING GEAR	2
07	L98372	CIRCLIP	2	33	L500510	RING GEAR SUPPORT	2
09	L500490	O-RING	2	34	L500511	CIRCLIP	8
10	L500491	JOINT	2	35	L500512	PLANET GEAR	8
11	L500492	THRUST BUSHING	2	36	L500513	BEARING	8
		<i>(included with items 21 and 26)</i>		37	L69734	WHEEL NUT	16
12	L500493	OUTER RACE	2	38	L500455	SEAL WASHER	6
13	L500494	BOLT	20	39	L500515	COUNTERSUNK BOLT	4
14	L500495	COVER	2	40	L500516	PLANET GEAT CARRIER	2
15	L500496	PLUG	4	41	L500517	STUD	16
16	L98355	GREASE FITTING	2	42	L500518	NUT	16
17	L500497	PIVOT PIN	2	43	L500519	CIRCLIP	2
		<i>(includes item 16)</i>		44	L500554	ADJUSTING BOLT	4
18	L500498	PIVOT PIN	2	45	L500521	NUT	4
		<i>(includes items 16, 19 and 20)</i>		46	L500522	LOCKING PLATE	2
19	L500499	SEAL	2	47	L98373	CIRCLIP	2
20	L500500	ARTICULATION	2	48	L500555	SPACER	2
21	L500501	STEERING CASE - LF/RR	1	49	L500523	SHIM - .15mm	2
		<i>(includes item 11)</i>			L500524	SHIM - .20mm	2
22	L500502	SEAL	2		L500525	SHIM - .50mm	2
23	L500503	DUST EXCLUDER	2	50	L500526	PLANET GEAR CARRIER	2
24	L500456	MAGNETIC PLUG	2			<i>(includes items 32-36, 40-41)</i>	

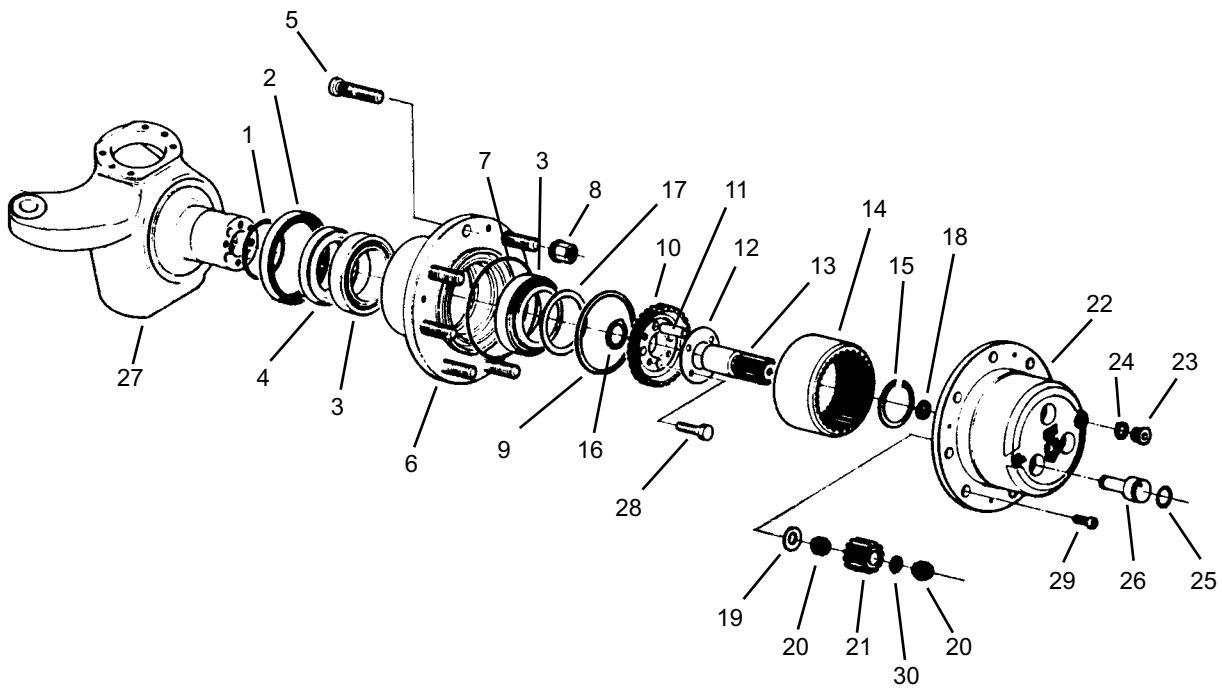
Outer End Group - Part I
(552: Thru S/N 1074; 553: Thru S/N 4831)



Outer End Group - Part I
 (552: Thru S/N 1074; 553: Thru S/N 4831)

Ref. No.	Part No.	Description	Qty. Req.	Ref. No.	Part No.	Description	Qty. Req.
<i>NOTE: All quantities are per axle.</i>					L97135	CUP.....	4
				11	L98376	PLUG.....	2
01	L98352	CASE.....	2	12	L98363	NEEDLE BRG.....	2
02	L98353	GRUB BOLT.....	2	13	L98364	SNAP RING.....	2
	L98997	NUT.....	2	14	L98365	SEAL, OUTER.....	2
03	L98375	STUD.....	24	15	L98366	DUST EXCLUDER.....	2
	L98998	NUT.....	24	16	L98367	DOUBLE UNIVERSAL JOINT.....	2
04	L98354	PIVOT PIN.....	4		L99188	U-JOINT CROSS ONLY.....	1
05	L98355	GREASE ZERK.....	4	17	L98368	O-RING.....	2
06	L98377	STUD.....	4	18	L98370	REDUCER BUSHING.....	2
07	L98356	SHIM - PACK.....	2	19	L98369	SEAL, INNER.....	2
08	L98360	DUST EXCLUDER.....	4	20	L98371	BALL BRG.....	2
09	L98361	RING.....	4	21	L98372	CIRCLIP.....	2
10		TAPER ROLLER BRG.....		22	L98373	CIRCLIP.....	2
	L97134	CONE.....	4	23	L98374	STUD.....	4
					L98996	NUT.....	4
				24	L99639	HEX BOLT.....	24

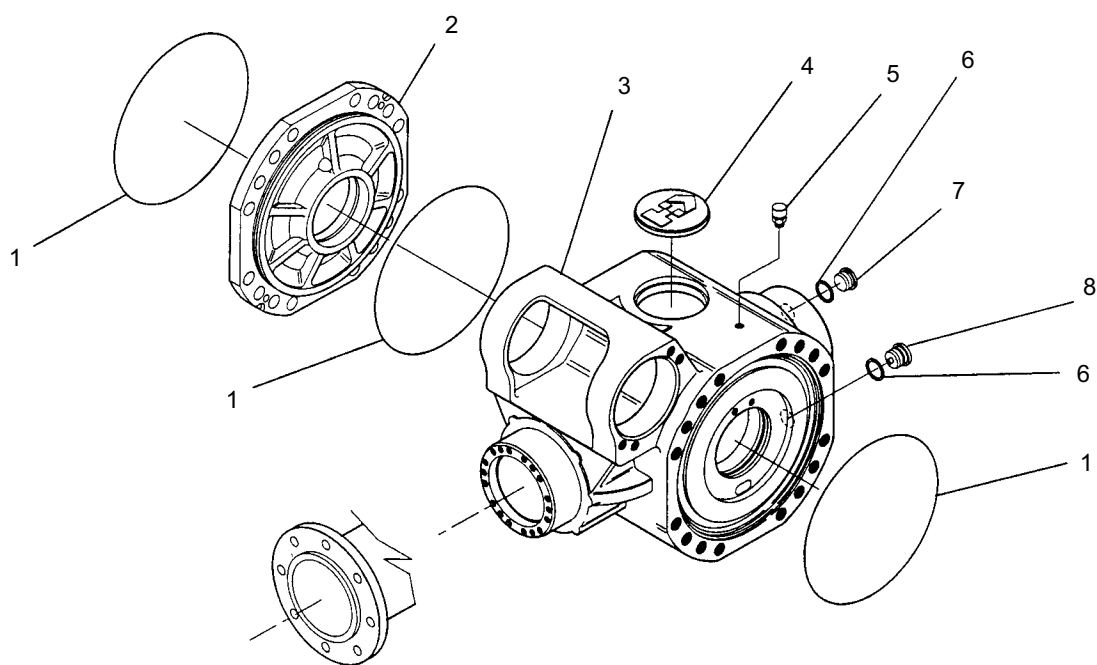
Outer End Group - Part II
(552: Thru S/N 1074; 553: Thru S/N 4831)



Outer End Group - Part II
 (552: Thru S/N 1074; 553: Thru S/N 4831)

Ref. No.	Part No.	Description	Qty. Req.	Ref. No.	Part No.	Description	Qty. Req.
<i>NOTE: All quantities are per axle.</i>				15	L98332	CIRCLIP	2
01	L98338	O-RING	2	16	L98324	FRICTION WASHER	2
02	L98339	SEAL	2	17	L98325	SHIM-PAC	1
03	L98341	TAPER ROLLER BRG	4	18	L98333	FRICTION WASHER	2
04	L98973	SPACER	2	19	L98323	FRICTION WASHER	6
05	L98342	WHEEL STUD	16	20	L98321	NEEDLE BRG	12
06	L98343	WHEEL HUB	2	21	L98322	PLANET GEAR	6
07	L98344	O-RING	2	22	L98334	PLANET GEAR CARRIER	2
08	L98345	WHEEL NUT	16	23	L98318	PLUG, 12MM (Socket Head)	2
09	L98346	SNAP RING	2	24	L98335	SEAL WASHER	2
10	L98347	RING GEAR SUPPORT	2	25	L98319	O-RING	6
11	L98348	DOWEL	8	26	L98320	PIN	6
12	L98349	LOCKING PLATE	2	27		CASE KNUCKLE	
13	L98350	PINION	2		L98336	RIGHT FRONT / LEFT REAR	1
14	L98331	RING GEAR	2		L98337	LEFT FRONT / RIGHT REAR	1
				28	L98972	STUD	8
				29	L99213	BOLT	8
				30	L99203	SPACER	6

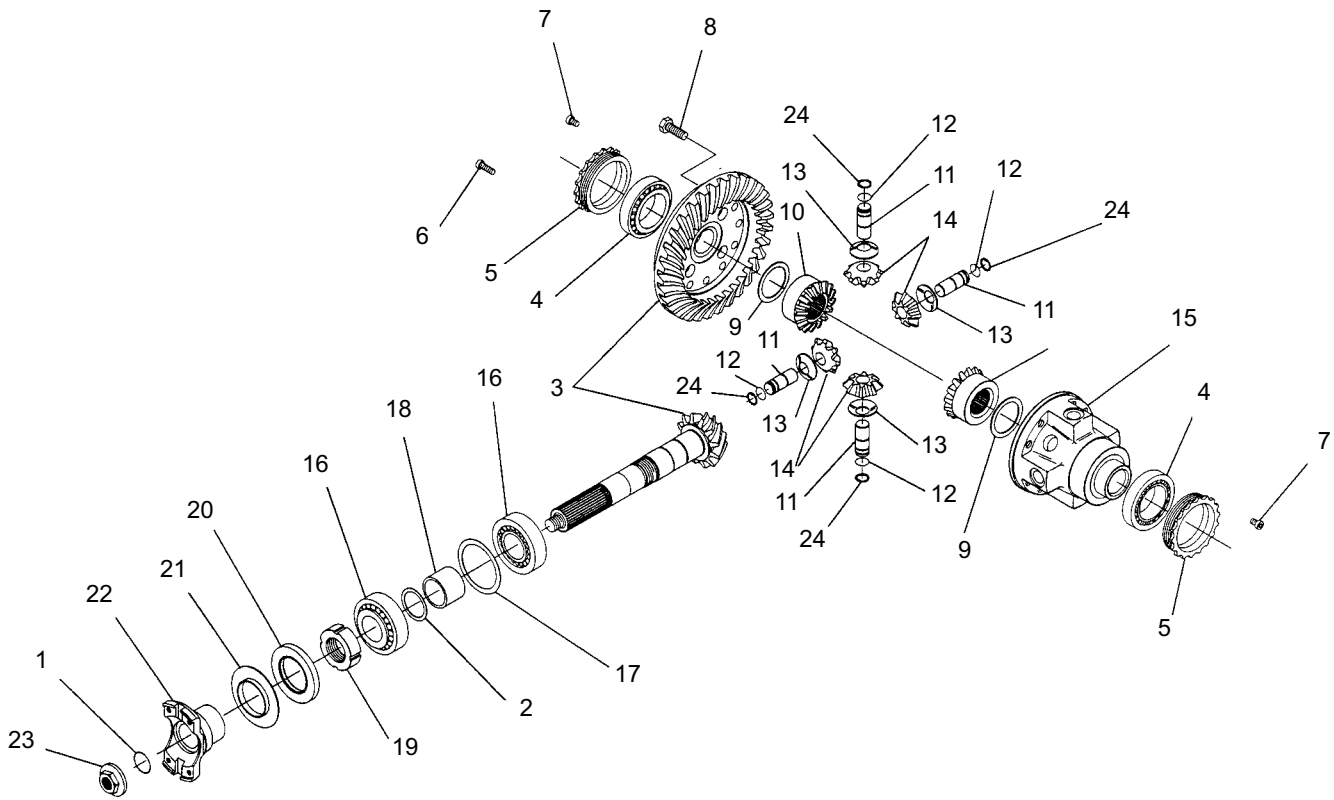
Differential Housing Group
(552: S/N 1075 and Up; 553: S/N 4832 and Up)



Differential Housing Group
 (552: S/N 1075 and Up; 553: S/N 4832 and Up)

Ref. No.	Part No.	Description	Qty. Req.	Ref. No.	Part No.	Description	Qty. Req.
<i>NOTE: All quantities are per axle.</i>				04	L500453	COVER	1
01	L98417	O-RING	3	05	L500454	VENT	1
02	L500451	INTERMEDIATE COVER	1	06	L500455	SEAL WASHER	2
03	L500452	HOUSING	1	07	L98318	PLUG	1
				08	L500456	MAGNETIC PLUG	1

Differential Group
(552: S/N 1075 and Up; 553: S/N 4832 and Up)

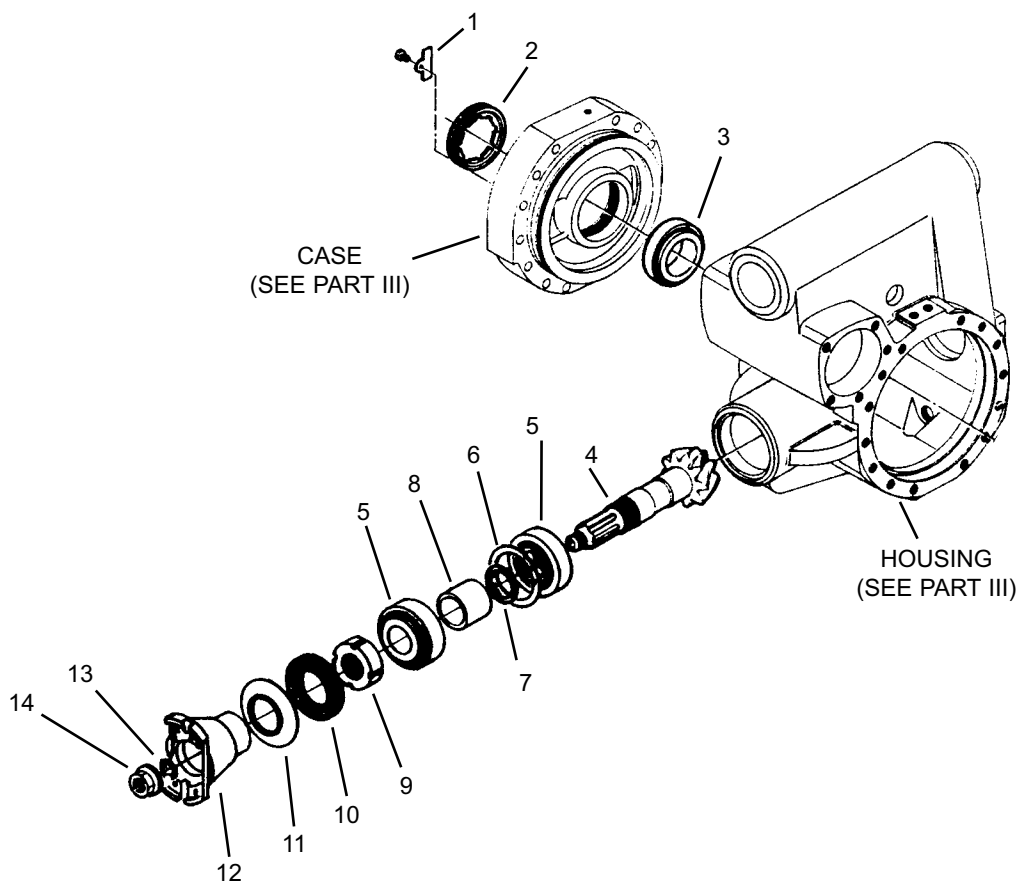


Differential Group
(552: S/N 1075 and Up; 553: S/N 4832 and Up)

Ref. No.	Part No.	Description	Qty. Req.	Ref. No.	Part No.	Description	Qty. Req.
<i>NOTE: All quantities are per axle.</i>				12	L500471	CIRCLIP	4
01	L500457	O-RING	1	13	L500472	FRICTION WASHER	4
02	L500458	SHIM	1	14	L500473	DIFFERENTIAL PINION	4
	L500459	SHIM	1	15	L500474	DIFFERENTIAL CARRIER	1
	L500460	SHIM	1	16	L500771	TAPER ROLLER BEARING	2
	L500461	SHIM	1	17	L98404	SHIM	1
	L500462	SHIM	1		L98406	SHIM	1
03	L500463	BEVEL GEAR SET	1		L500476	SHIM	1
04	L98380	TAPER ROLLER BEARING	2		L500477	SHIM	1
05	L500464	RING NUT	2	18	L500478	SPACER	1
06	L500465	CYLINDER BOLT	4	19	L98396	RING NUT	1
07	L500466	CYLINDER BOLT	2	20	L98395	SEAL	1
08	L500467	BOLT	12	21	L98394	COVERPLATE	1
09	L500468	FRICTION WASHER	2	22	L500479	FLANGE	1
10	L500469	DIFFERENTIAL SIDE GEAR	2	23	L500480	NUT	1
11	L500470	PIN	4	24	L500481	CIRCLIP	4

Differential Housing Group - Part I

(552: Thru S/N 1074; 553: Thru S/N 4831)



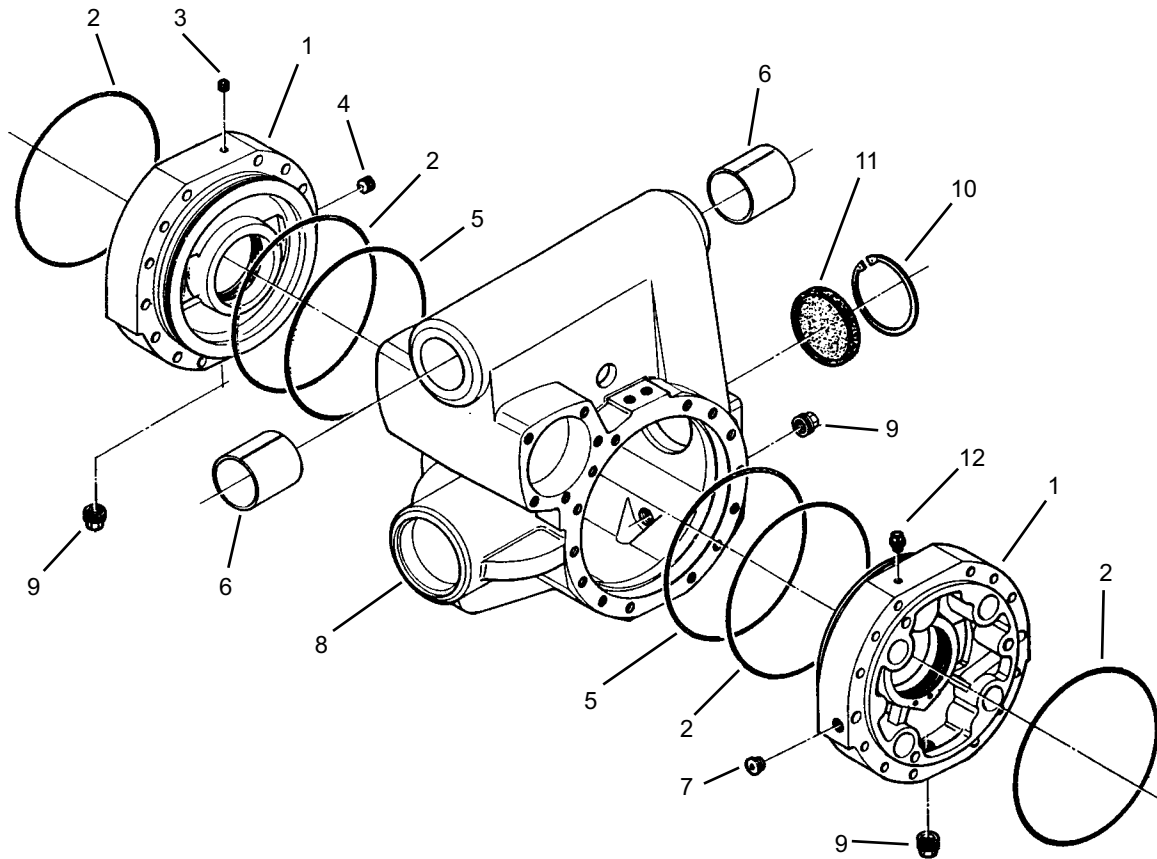
Differential Housing Group - Part I
 (552: Thru S/N 1074; 553: Thru S/N 4831)

Ref. No.	Part No.	Description	Qty. Req.	Ref. No.	Part No.	Description	Qty. Req.
<i>NOTE: All quantities are per axle.</i>				07	L98414	SHIM.	AR
					L98415	SHIM.	AR
01	L98378	SHEET.	2	08	L98400	SPACER	1
02	L98379	RING NUT	2		L98401	SPACER	1
03	L98380	TAPERED ROLLER BRG.	2	09	L98396	RING NUT	1
04	L98381	BEVEL GEAR SET.	1	10	L98395	SEAL	1
05	L500771	TAPER ROLLER BRG.	2	11	L98394	COVER PLATE	1
06	L98404	SHIM.	AR	12	L98393	FLANGE	1
	L98405	SHIM.	AR	13	L98392	O-RING	1
	L98406	SHIM.	AR	14	L98391	NUT.	1
	L98407	SHIM.	AR				

Differential Housing Group - Part II
 (552: Thru S/N 1074; 553: Thru S/N 4831)

Ref. No.	Part No.	Description	Qty. Req.	Ref. No.	Part No.	Description	Qty. Req.
<i>NOTE: All quantities are per axle.</i>				09	L98385	PIN	2
				10	L98384	DISK	4
01	L98378	SHEET.	2	11	L98387	DIFF. PINION.	4
02	L98379	RING NUT	2	12	L98389	PIN	1
03	L98380	TAPERED ROLLER BRG.	2	13	L98390	DIFF. CASE	1
04	L98388	COVER	1	14	L98416	RETAINER.	1
05	L98382	DISK	2	15	L500317	BOLT	16
06	L98383	DIFF. SIDE GEAR	2		L500356	SPRING WASHER	16
07	L98381	BEVEL GEAR SET.	1	16	L64326	HOSE	2
08	L98386	ROLL PIN	3	17	L277013	GREASE ZERK	2

Differential Housing Group - Part III
(552: Thru S/N 1074; 553: Thru S/N 4831)

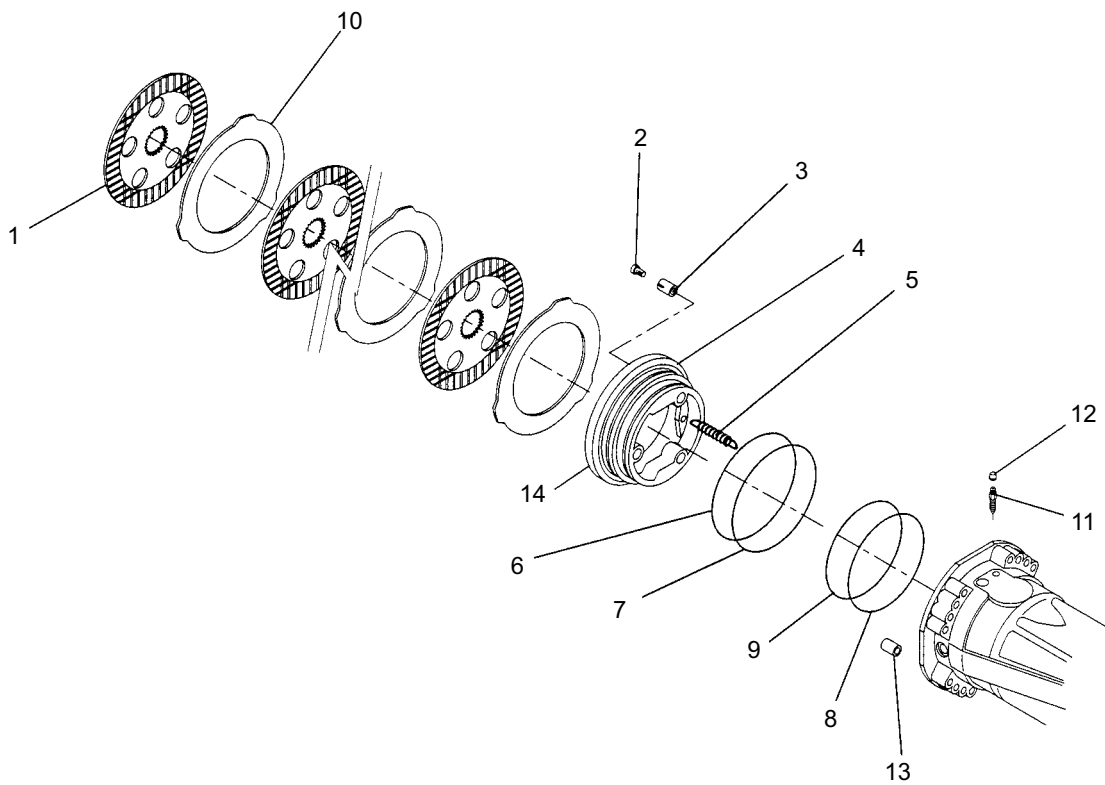


Differential Housing Group - Part III
 (552: Thru S/N 1074; 553: Thru S/N 4831)

Ref. No.	Part No.	Description	Qty. Req.	Ref. No.	Part No.	Description	Qty. Req.
<i>NOTE: All quantities are per axle.</i>				06	L98422	THRUST BUSHING	2
				07	L98427	ADAPTER	2
01	L98418	CASE	2	08	L98428	HOUSING	1
02	L98417	O-RING	4	09	L98425	MAGNETIC PLUG	3
03	L98419	PLUG	1	10	L98423	CIRCLIP	1
04	L98420	PLUG	1	11	L98424	COVER	1
05	L98421	O-RING	2	12	L98426	VENT	1

Brake Group

(552: S/N 1075 and Up; 553: S/N 4832 and Up)



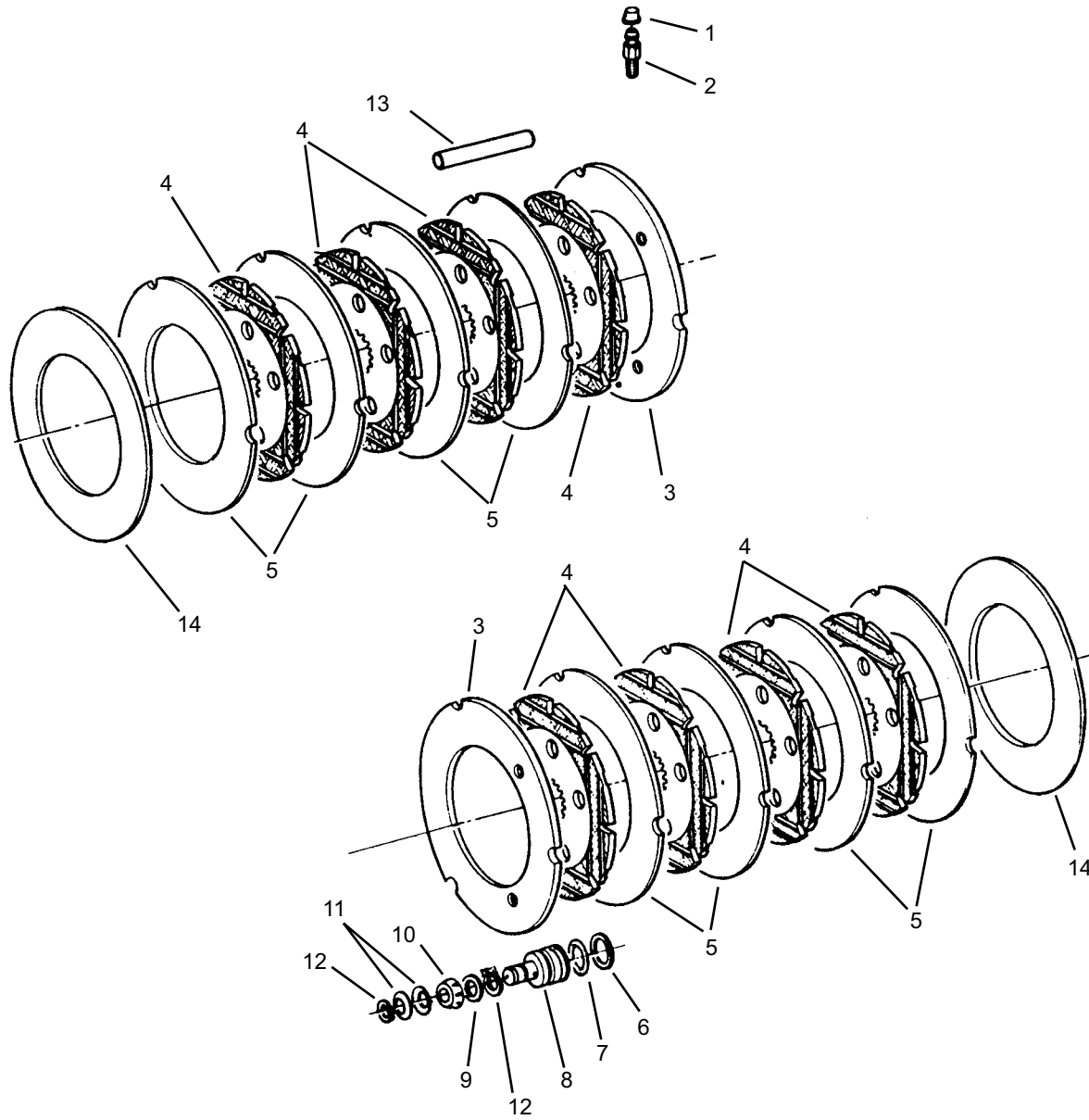
Brake Group

(552: S/N 1075 and Up; 553: S/N 4832 and Up)

Ref. No.	Part No.	Description	Qty. Req.	Ref. No.	Part No.	Description	Qty. Req.
<i>NOTE: All quantities are per axle.</i>				07	L500533	O-RING	2
				08	L500534	BACK-UP RING	2
01	L500527	BRAKE DISC	6	09	L500535	O-RING	2
02	L500528	ADJUSTING BOLT	6	10	L500536	INTERMEDIATE BRAKE DISC	8
03	L500529	SPRING	6	11	L98430	BLEEDING BOLT	2
04	NSS	PISTON	2	12	L500496	PLUG	2
05	L500531	SPRING	6	13	L500537	DOWEL	2
06	L500532	BACK-UP RING	2	14	L500538	PISTON	2
							<i>(includes items 4-9)</i>

Brake Group

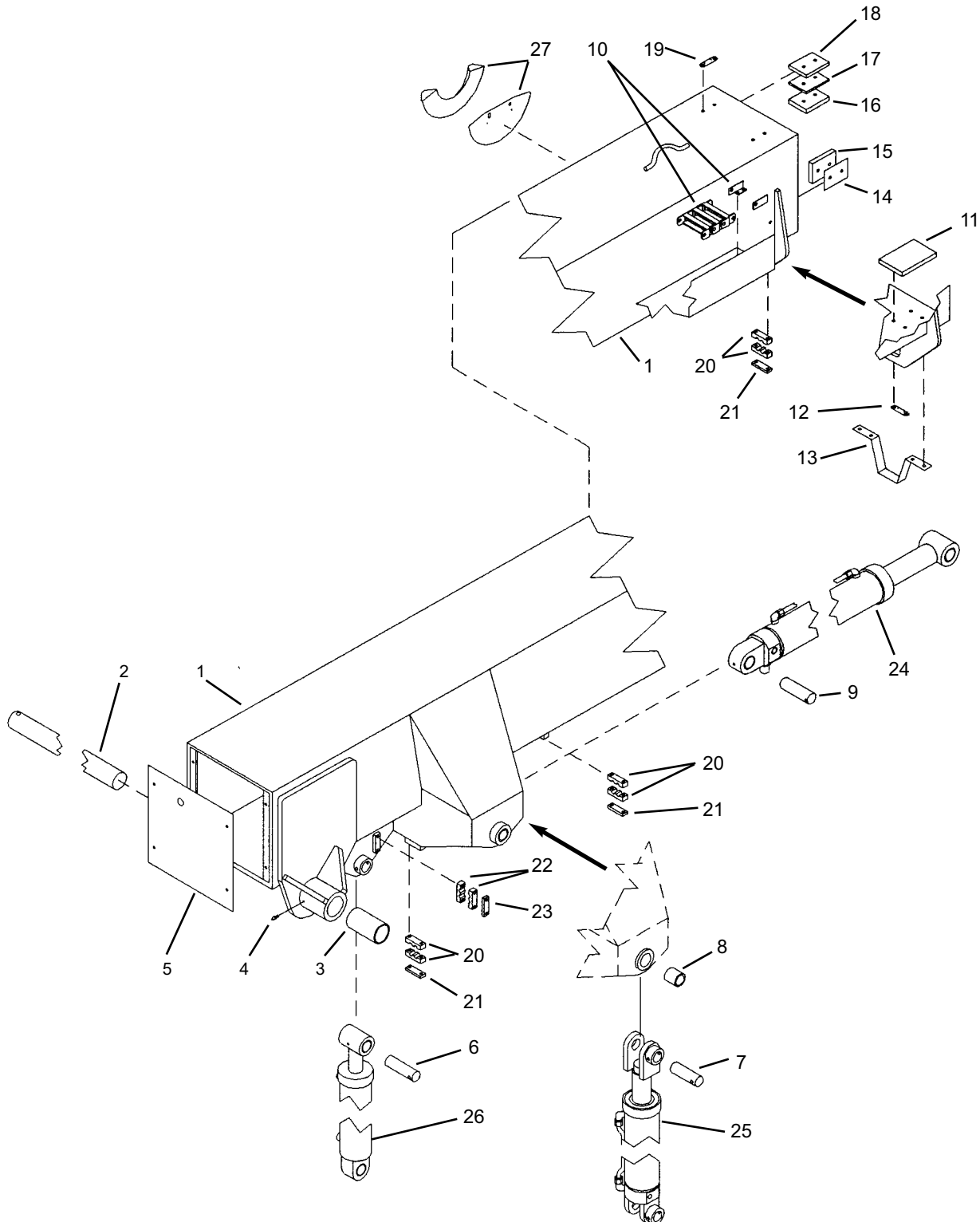
(552: Thru S/N 1074; 553: Thru S/N 4831)



Brake Group*(552: Thru S/N 1074; 553: Thru S/N 4831)*

Ref. No.	Part No.	Description	Qty. Req.	Ref. No.	Part No.	Description	Qty. Req.
<i>NOTE: All quantities are per axle.</i>				07	L98435	RING	8
01	L98429	PLUG	2	08	L98436	PISTON	8
02	L98430	VENT BOLT	2	09	L98437	SPACER	8
03	L98431	SPACER	2	10	L98438	SPRING	8
04	L98432	BRAKE DISC	8	11	L98439	CUP SPRING	16
05	L98433	INTERMEDIATE DISC	8	12	L98440	CIRCLIP	16
06	L98434	RING	8	13	L98441	PIN	6
				14	L98442	SPACER	2

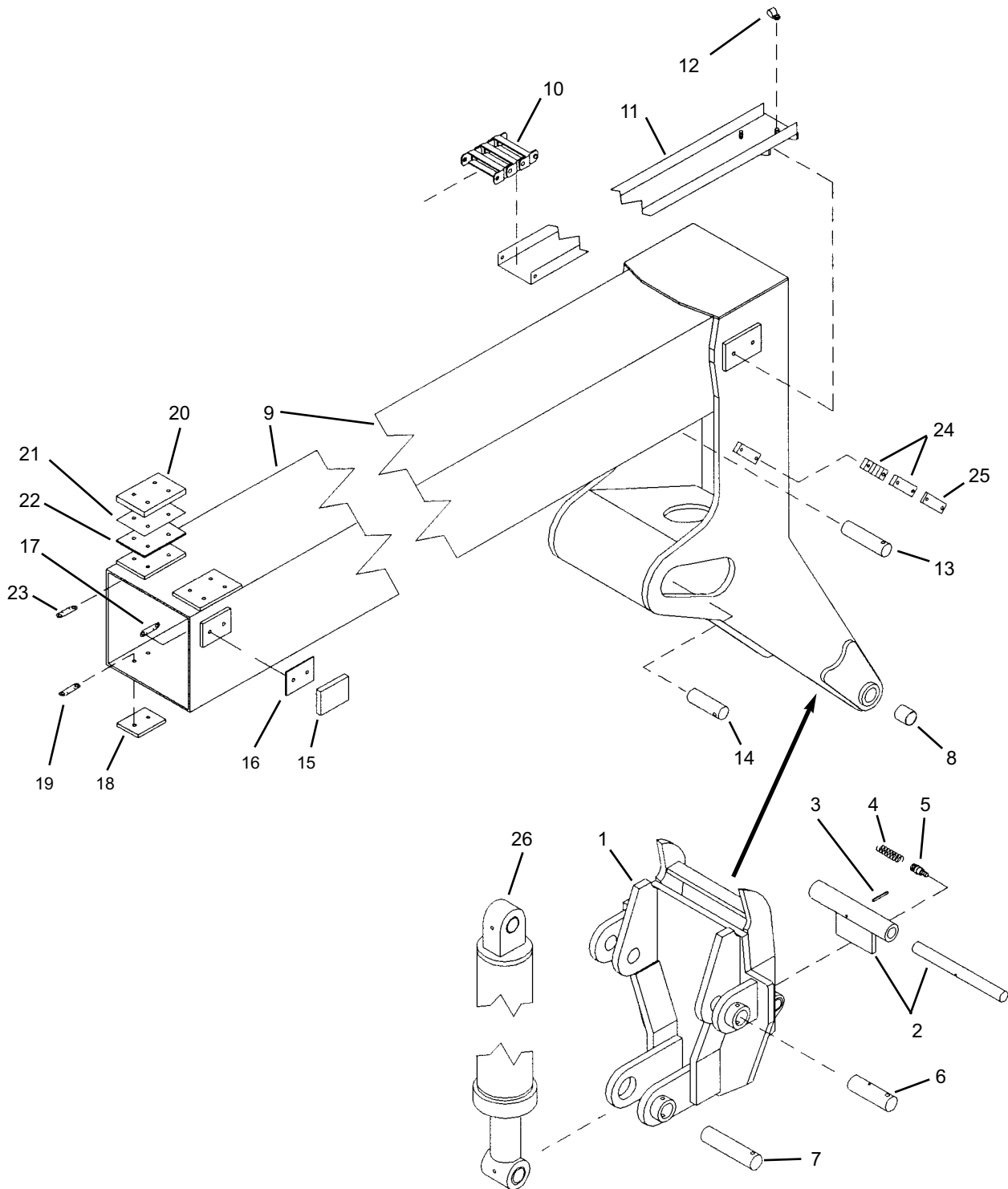
552 - Outer Boom Section



552 - Outer Boom Section

01	L68346	OUTER SECTION WELD. 1	13	L63694	EXT. CYL. BRACKET 1
	L63024	<i>S/N 1015 & Up</i>		L50368	3/8"-16X1-1/4" BOLT GRD8 2
	L63024	<i>Thru S/N 1014</i>		L50147	3/8" LOCKWASHER 2
02	L63099	BOOM PIVOT PIN 1	14	L62733	SHIM, 1/16. 2
	L50462	1/2"-13X5" BOLT 1	15	L61709	SLIDE PAD 3X4 2
	L520019	NYLON INSERT UT 1/2-13 1		L50403	3/8"-16X1-1/4" BOLT GRD5. 4
03	L63056	BOOM PIVOT BUSHING 2		L50147	3/8" LOCKWASHER 4
04	L10465	GREASE ZERK 114-28 STR 2	16	L61709	SLIDE PAD 3X4 2
05	L63131	REAR COVER 2		L50251	3/8"-16X3/4" BOLT 4
	L50226	SELF TAP SCREW 5/16-18X1 . . . 1		L50147	3/8" LOCKWASHER 4
06	L63272	ROD END SLAVE CYL. PIN 1	17	L61704	SHIM, 1/4. 2
	L50273	3/8"-16X2-3/4" BOLT 1	18	L64143	SHIM, 1/2. 2
	L520005	3/8"-16 NYLON INSERT NUT 1	19	L62715	BOLT LOCKTAB. 2
07	L63274	ROD END LIFT CYL. PIN. 2		L50261	3/8"-16X1-1/2" BOLT. 4
	L50273	3/8"-16X2-3/4". 2	20	L63717	TUBE CUSHION 6
	L10057	GREASE ZERK, 1/4-28X90. 1	21	L63715	CUSHION PLATE. 3
08	L63017	LIFT CYL. PIVOT BUSHING 2		L50561	5/16"-18X1-3/4" BOLT 6
09	L63273	BUTT END EXT. CYL. PIN. 1		L50143	5/16" LOCKWASHER 6
	L50273	3/8"-16X2-3/4" BOLT 1	22	L63720	TUBE CUSHION 2
	L520005	3/8"-16 NYLON INSERT NUT 1	23	L63719	CUSHION PLATE. 1
10	L63314	HOSE TRACK 1		L50884	5/16"-18X2-1/4" BOLT 2
	L50209	CAPSCREW 1/4-20X1/2 4		L50143	5/16" LOCKWASHER 2
	L520003	NYLON INSERT NUT 1/4-20. 4	24	L63012	EXTEND CYLINDER 1
11	L61708	SLIDE PAD 4X6 2	25	L63199	LIFT CYLINDER. 1
12	L62715	BOLT LOCK TAB 2	26	L63014	SLAVE CYLINDER. 1
	L50251	3/8"-16X3/4" BOLT 6	27	L97956	BOOM ANGLE INDICATOR KIT. . . . 1
	L50147	3/8" LOCKWASHER 6		L65638	INCLINOMETER. 1
				L65640	MOUNT PLATE. 1

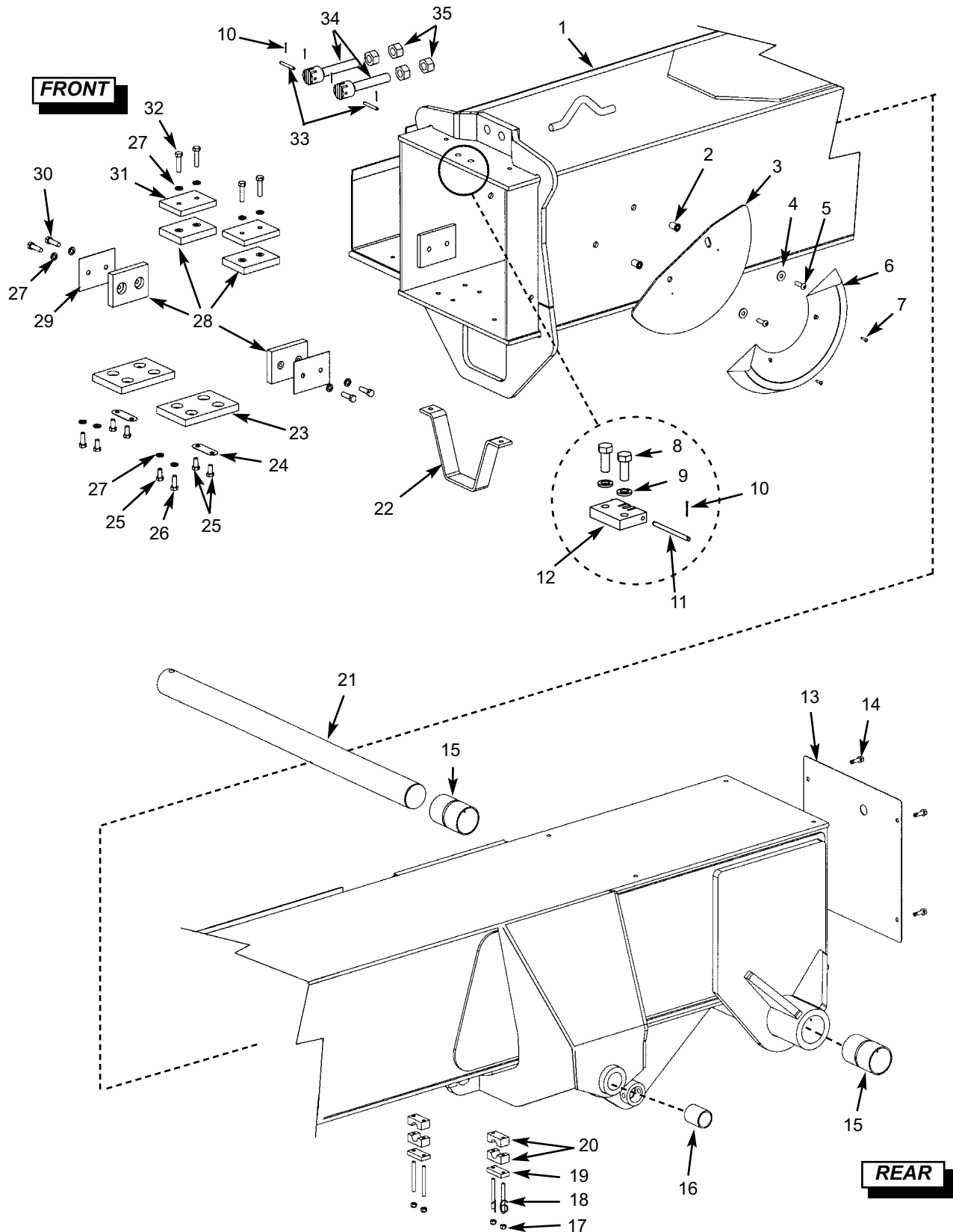
552 - Inner Boom Section



552 - Inner Section Group

01	L98700	DYNATTACH WELDMENT 1 <i>(Includes items 2-5)</i>		L50273	3/8"-16X2-3/4" BOLT 2
02		LOCK PLATE w/PIN 1	15	L520005	3/8"-16 NYLON INSERT NUT 2
	L63957	<i>S/N 1011 & up</i>	16	L61709	SLIDE PAD 3X4 2
	L63797	<i>Thru S/N 1010</i>	17	L62734	SHIM, 1/8X3 2
03	L50646	ROLL PIN 3/16X1-3/4. 1		L62715	BOLT FLAT LOCK TAB 2
04	L65097	SPRING 1		L50367	3/8"-16X1" BOLT 4
05	L65098	SPRING MOUNT 1	18	L61709	SLIDE PAD 3X4" 2
06	L63274	DYNATTACH TO BOOM PIN 2	19	L62715	BOLT LOCK TAB 2
	L50273	3/8"-16X2-3/4" BOLT 2		L50251	3/8"-16X3/4" BOLT 4
	L520005	3/8"-16 NYLON INSERT NUT 2	20		PAD 3X4 2
	L10465	GREASE ZERK 1/4-28 STR. 2		L61709	<i>Thru S/N 1011</i>
07	L63272	ROD END TILT CYL.PIN 1	20		SLIDE PAD 4X6 2
	L50273	3/8"-16x2-3/4" BOLT 1		L61708	<i>S/N 1012 & Up</i>
	L520005	3/8"-16 NYLON INSERT NUT 1	21		SPACER 1/4 2
08	L63017	DYNATTCH PIVOT BUSHING 2		L61704	<i>Thru S/N 1011</i>
09		INNER SECTION WELD. 1	21		SHIM 1/16X4 2
	L68801	<i>S/N 1057 & up</i>		L62731	<i>S/N 1012 & Up</i>
	L63032	<i>Thru S/N 1056</i>	22		SPACER 1/2 2
10	L63314	HOSE TRACK 1		L64143	<i>Thru S/N 1011</i>
	L510008	5/16"-18X5/8" BOLT 2	22		SHIM 1/8X4 2
	L50141	5/16" FLAT WASHER 2		L62732	<i>S/N 1012 & Up</i>
	L520004	5/16"-18 NYLON INSERT NUT 2	23	L62715	BOLT LOCK TAB
11	L63923	HOSE TRAY WELD 1			<i>Thru S/N 1011, Qty of 2. S/N 1012 & Up, Qty of 4.</i>
	L510007	3/8"-16X7/8" BOLT 2			3/8"-16x1-1/4" BOLT. 8
	L50147	3/8" LOCKWASHER 2		L50403	<i>S/N 1012 & Up</i>
12	L570022	CLAMP, 1/2 DIA. 2			3/8"-16X1-1/2" BOLT. 4
	L50251	3/8"-16X3/4" BOLT 2		L50261	<i>Thru S/N 1011</i>
	L50061	3/8"-16 FLANGE NUT 2	24	L63717	HOSE CUSHION 2
13	L63272	ROD END EXT. CYL. PIN 1	25	L63715	CUSHION PLATE. 1
	L50273	3/8"-16X2-3/4" BOLT 1		L50561	5/16"-18X1-3/4" BOLT 2
	L520005	3/8"-16 NYLON INSERT NUT 1		L50143	5/16" LOCKWASHER 2
14	L63273	BUTT END TILT CYL.PIN. 1	26	L63013	TILT CYLINDER. 1

553 - Outer Boom Section

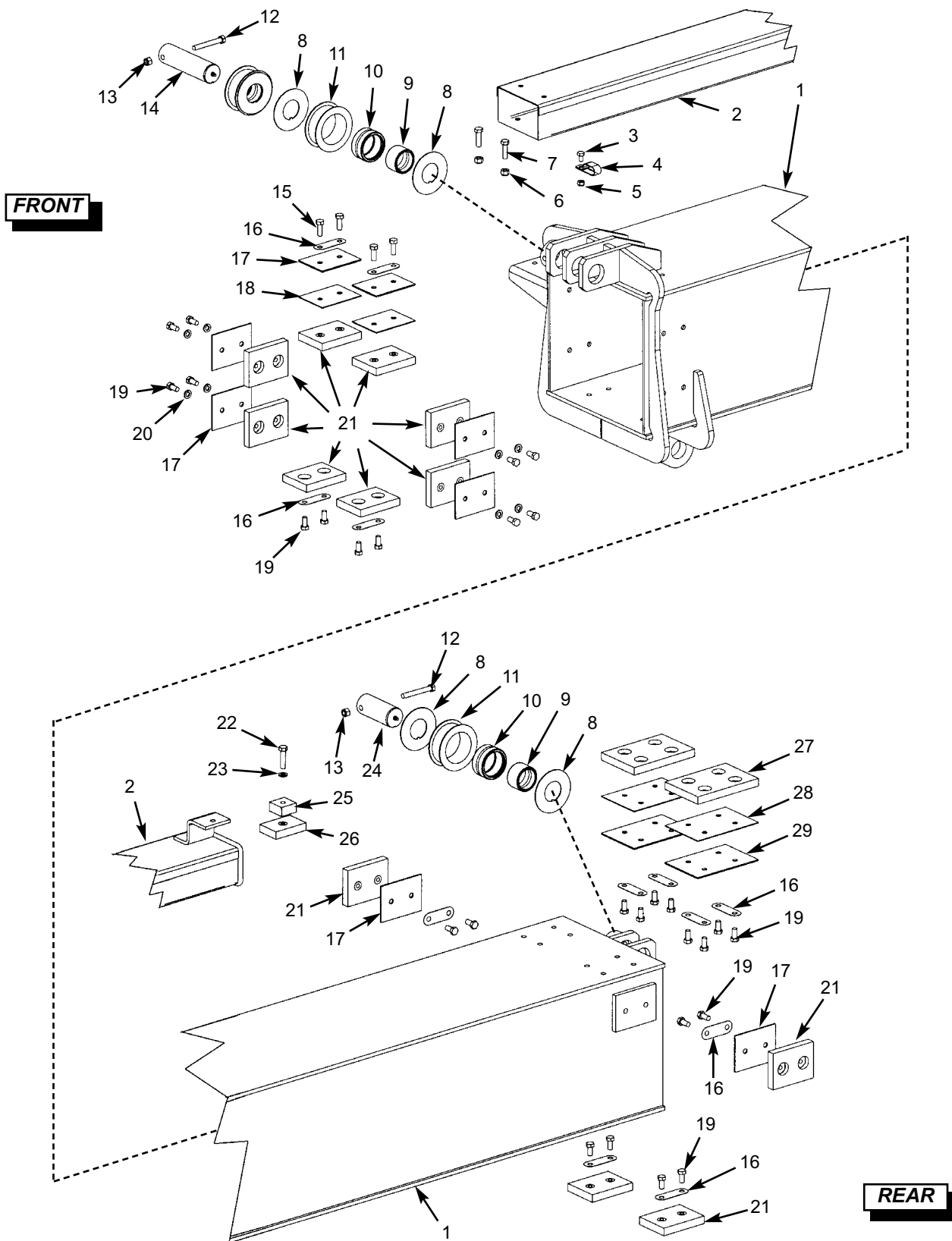


553 - Outer Boom Section

Ref. No.	Part No.	Description	Qty. Req.	Ref. No.	Part No.	Description	Qty. Req.
01		OUTER SECT. WELDMNT.	1	25	L50251	3/8"-16X3/4" BOLT	6
	L68350	<i>S/N 3340 and Up</i>		26	L50367	3/8"-16X1" BOLT	2
	L63200	<i>Thru S/N 3339</i>		27	L50147	3/8" LOCK WASHER	12
02	L70242	5/16"-18 NUTSERT	2	28	L61709	SLIDE PAD 5/8"X3"X4"	4
03	L65640	PLATE, BOOM ANGLE IND.	1	29	L62733	SHIM .06"X3"X4"	2
04	L50141	5/16" FLAT WASHER	2	30	L50403	3/8"-16X1-1/4" BOLT	4
05	L52028	5/16"-18X1" BTNHD BOLT	2	31	L64143	SHIM 1/2"X3"X4"	2
06 ^a	L65638	INCLINOMETER-ANGLE IND.	1	32	L50261	3/8"-16X1-1/2" BOLT	4
07	L50491	#8X5/8" RND HD MACH.SCREW. .	2	33	L63167	PIN, CLEVIS ADJUSTMENT	2
08	L50380	1/2"-20X1-1/4" BOLT	2	34 ^a	L63166	CLEVIS, CHAIN ADJUSTMENT ...	2
09	L50152	1/2" LOCK WASHER	2	35	L50086	3/4"-10 NUT	4
10	L50612	PIN, COTTER 1/16"X3/4"	6				
11	L63169	PIN, OUTER BOOM CLEVIS	1			--- ITEMS NOT SHOWN ---	
12	L63173	CLEVIS, OUTER BOOM	1				
13	L63131	REAR OUTER COVER	1	L99007		HOSE TRACK KIT (<i>Tilt</i>)	1
14	L50226	5/16"-18X1" SELF TAP SCREW ...	4	L99008		HOSE TRACK KIT (<i>Tilt/Aux.</i>)	1
15	L68006	BUSHING 2.5IDX2.75ODX4"	2			<i>Thru S/N 3203</i>	
16	L63017	LIFT CYL. PIVOT BUSHING	2				
17	L520004	5/16"-18 NYLON INSERT NUT. ...	4	L99135		ABRASIVE SLEVE 1-3/4 DIA	
18	L50878	5/16"-18X3" STUD	4			<i>S/N 3204 and Up</i>	
19	L68358	CUSHION TOP PLATE	2			<i>(Tilt, 16 ft.; Tilt/Aux, 32 ft.)</i>	
20	L68348	.88 HOSE CUSHION SINGLE	4				
21	L63099	PIN, PIVOT PIN	1	L50207		VINYL CLAMP	2
	L50462	1/2"-13X5" BOLT	1	L50228		5/16"-18X1/2" BOLT	2
	L520019	1/2" NYLON INSERT NUT.	1	L520004		5/16"-18 NYLON INSERT NUT ...	2
22	L63694	EXT. CYL. BRACKET	1				
	L50367	3/8"-16X1" BOLT	2				
	L50147	3/8" LOCK WASHER	2				
23	L61708	SLIDE PAD 5/8"X4"X6"	2				
24	L62715	FLAT-BOLT LOCK	2				

^a Refer to Inner Boom Section for boom chains.

553 - Intermediate Boom Section

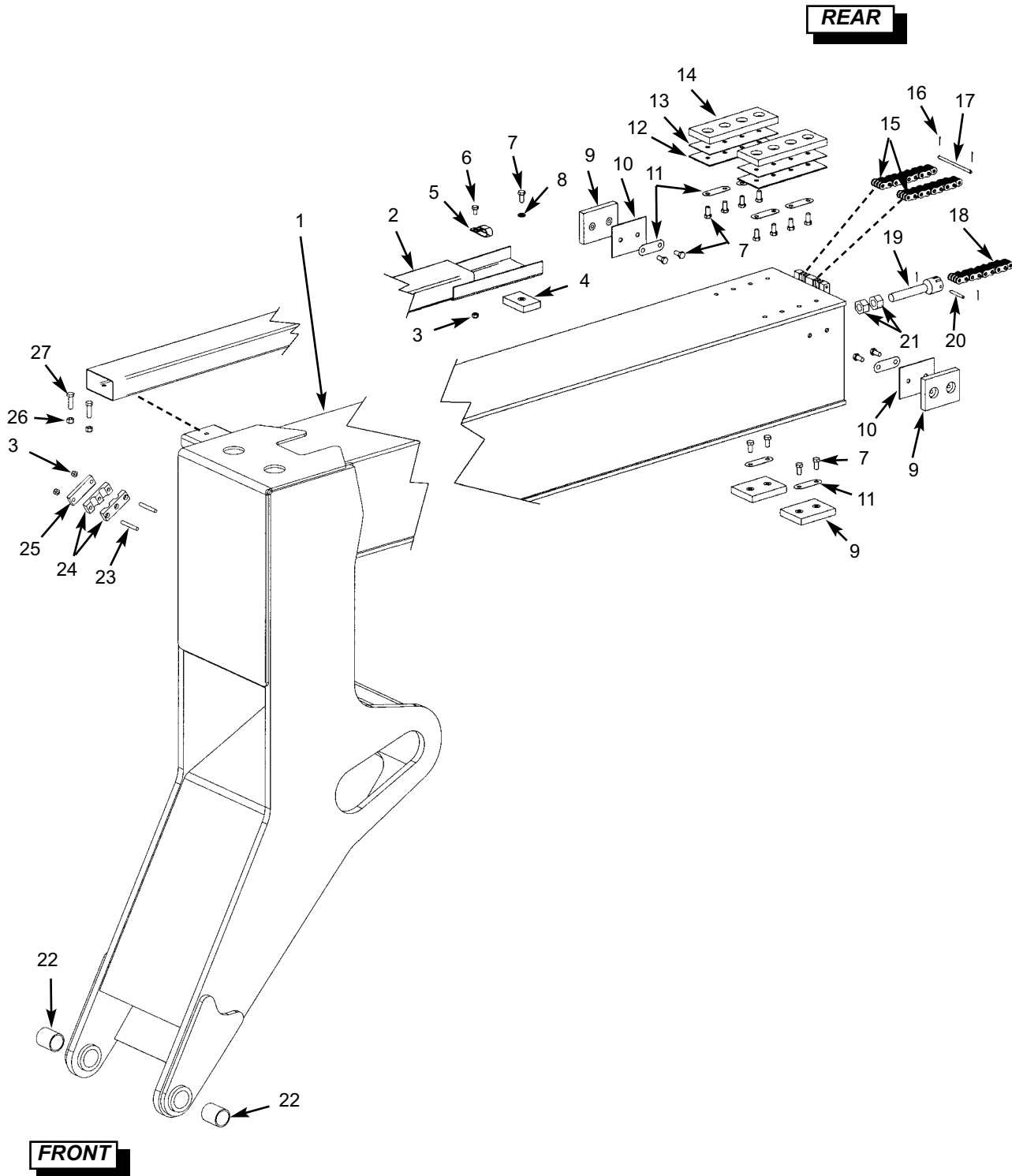


553 - Intermediate Boom Section

Ref. No.	Part No.	Description	Qty. Req.	Ref. No.	Part No.	Description	Qty. Req.
01		INTERMEDIATE SECTION	1	21	L61709	SLIDE PAD, 5/8"X3"X4"	12
	L68744	<i>Note a</i>		22	L50261	3/8"-16X1-1/2" BOLT	1
	L68650	<i>Note b</i>		23	L50147	3/8" LOCK WASHER	1
02	L63006	TRAY, INTERMEDIATE	1	24 ^d	L68696	PIN, REAR SHEAVE	1
03	L50228	5/16"-18X1/2" BOLT	1	25	L63239	SPACER, TRAY BRACKET	1
04	L50207	CLAMP, VINLYL .69 DBL	1	26	L61699	SLIDE PAD, 2"X3"	1
05	L520004	5/16"X18 NYLON INSERT NUT	1	27	L61708	SLIDE PAD, 5/8"X4"X6"	2
06	L520005	3/8"-16 NYLON INSERT NUT.	2	28	L62731	SHIM, .06"X4"X6"	2
07	L52026	3/8"-16X1-1/4" BOLT	2	29	L62732	SHIM, .105"X4"X6"	2
08 ^{cd}	L68697	WASHER, CHAIN SHEAVE	6	<i>a</i>	<i>S/N 4519 & Up</i>		
09	L63158	RING, BEARING-INNER.	3	<i>b</i>	<i>Thru S/N 4518</i>		
10	L63157	BEARING, BOOM SHEAVE	3	<i>c</i>	<i>Thru S/N 4518; order Front Sheave mount kit P/N L500288 (includes sheave mounts and items 8 and 14)</i>		
11	L63153	SHEAVE, CHAIN	3	<i>d</i>	<i>Thru S/N 4518; order Rear Sheave mount kit P/N L500289 (includes sheave mounts and items 8 and 24)</i>		
12	L50273	3/8"-16X2-3/4" BOLT	2				
13	L520005	3/8"-16 NYLON INSERT NUT.	2				
14 ^c	L68695	PIN, FRONT SHEAVE	1				
15	L50367	3/8"-16X1" BOLT	4				
16	L62715	FLAT-BOLT LOCK	12				
17	L62734	SHIM, .105"X3"X4"	8				
18	L62733	SHIM, .06"X3"X4"	2				
19	L50251	3/8"-16X3/4" BOLT	28				
20	L50147	3/8" LOCK WASHER	8				

Note: Refer to Inner Boom Section for boom chains.

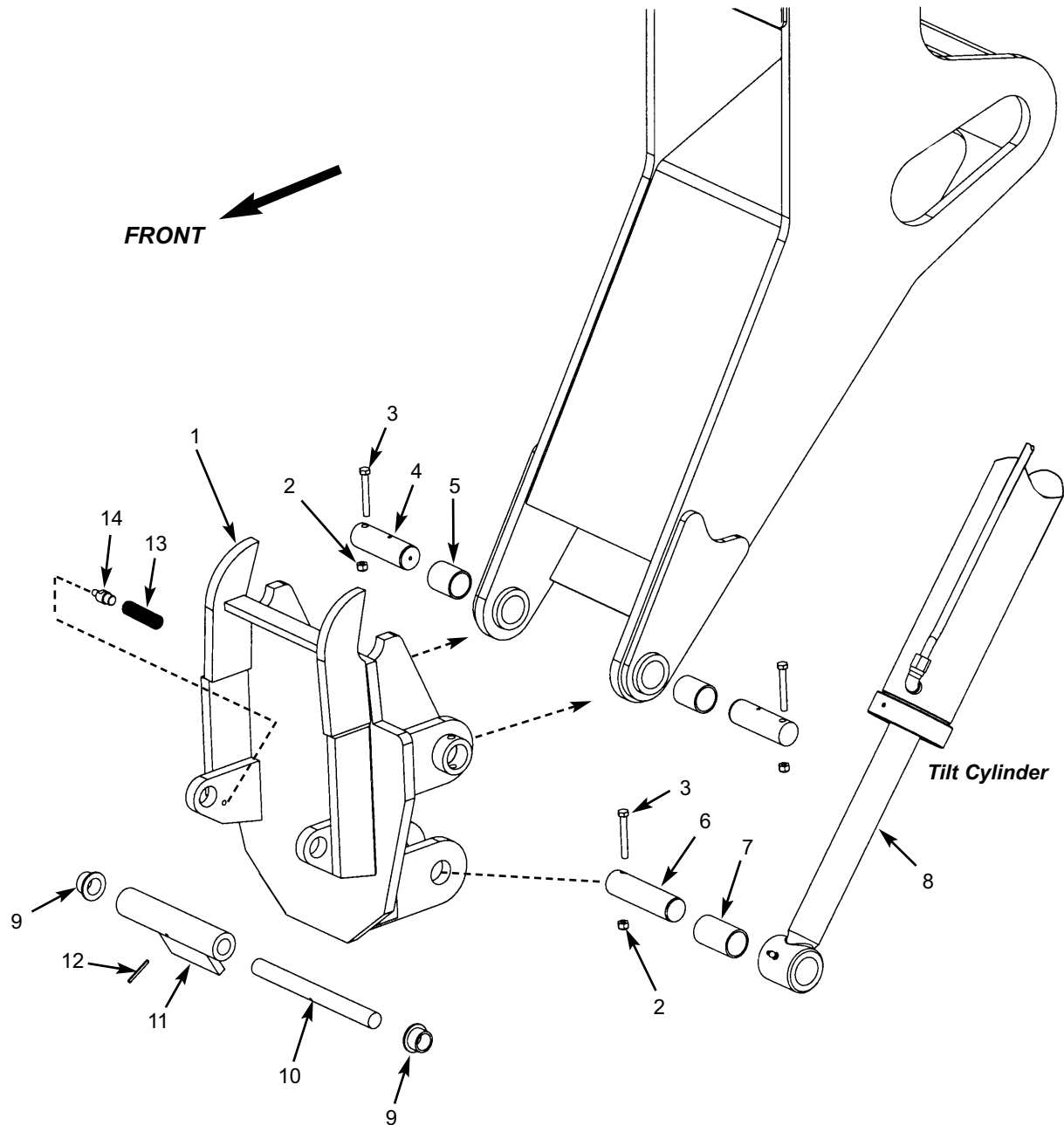
553 - Inner Boom Section



553 - Inner Boom Section

Ref. No.	Part No.	Description	Qty. Req.	Ref. No.	Part No.	Description	Qty. Req.
01		INNER BOOM WELDMENT	1	17	L63168	PIN, INNER BOOM CLEVIS	1
	L68762	<i>S/N 4519 and Up</i>		18 ^b	L63156	CHAIN, BOOM LEAF	1
	L68649	<i>S/N 3952 Thru 4518</i>		19	L63166	CLEVIS, CHAIN ADJUSTMENT . . .	1
	L99980	<i>Thru S/N 3951</i>		20	L63167	PIN, CLEVIS ADJUSTMENT	1
02	L63005	HOSE TRAY, INNER BOOM.	1	21	L50086	3/4"-10 NUT	2
03	L520004	5/16"-18 NYLON INSERT NUT.	3	22	L63017	BUSHING	2
04	L61699	SLIDE PAD 2"x3"	1	23	L50877	5/16"-18X2-1/4" STUD	2
05	L50207	CLAMP, VINYL .69 DBL	1	24	L63716	CUSHION, HOSE-TWIN .68.	2
06	L50228	5/16"-18X1/2" BOLT	1	25	L63715	PLATE, TWIN CUSHION TOP	1
07	L50251	3/8"-16X3/4" BOLT	17	26	L520005	3/8"-16 NYLON INSERT NUT.	2
08	L50147	3/8" LOCK WASHER	1	27	L52026	3/8"-1-1/4" BOLT	2
09	L61709	SLIDE PAD 5/8"x3"x4"	4				
10	L62734	SHIM .105"x3"x4"	2				
11	L62715	FLAT-BOLT LOCK	8	a	<i>Attaches from the rear of the inner boom to the chain adjustment clevis' located on the front of the outer boom section. (Refer to Outer Boom Section, item #34, chain adjustment clevis.)</i>		
12	L66783	SHIM .105"x3"x8"	2				
13	L66782	SHIM .06"x3"x8"	2				
14	L66780	SLIDE PAD 3"x8"	2				
15 ^a	L63156	CHAIN, BOOM LEAF	2	b	<i>Attaches from item #19 (chain adjustment clevis) to outer boom clevis. (Refer to Outer Boom Section, item #12, outer boom clevis.)</i>		
16	L50612	PIN, COTTER 1/16"x3/4"	4				

Dynattach

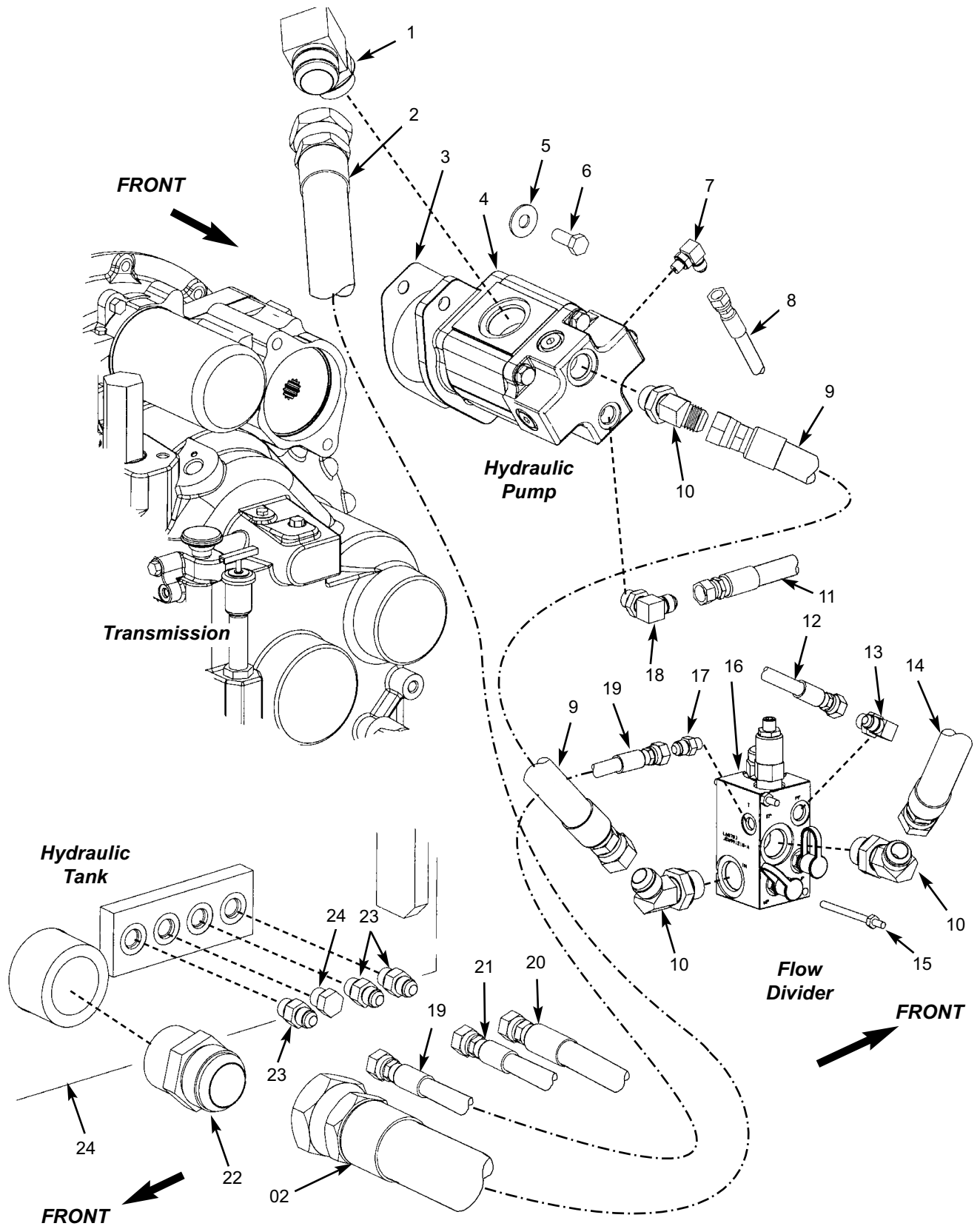


Dynattach

Ref. No.	Part No.	Description	Qty. Req.	Ref. No.	Part No.	Description	Qty. Req.
01	L98700	DYNATTACH WELDMENT	1	10	L63326	PIN, DYNATTACH LOCK	1
02	L520005	3/8"-16 NYLON INSERT NUT	3	11	<i>Note a</i>	DYNATTACH LOCK WLDMNT	1
03	L50273	3/8"-16X2-3/4" BOLT	3	12	L50646	3/16"X1-3/4" ROLL PIN	1
04	L63274	PIN, TAPPED 1-1/2" DIA	2	13	L65097	LOCK SPRING	1
05	L63017	BUSHING	2	14	L65098	SPRING MOUNT	1
06	L63272	PIN, TILT CYL.(ROD END)	1				
07	L68003	BUSHING, TILT CYL (ROD END)	1	<i>a</i>		<i>LOCK PLATE WITH PIN</i>	
08	L63013	TILT CYLINDER	1			<i>(Includes items 10-12)</i>	
09	L66456	BUSHING, LOCK PIN	2		L63957	552: S/N 1011 & up	
					L63797	553: S/N 3062 & up	
						552: Thru S/N 1010	
						553: Thru S/N 3061	

Hydraulic Pump, Tank and Flow Divider

(552: S/N 1057 and Up; 553: S/N 4519 and Up)



Hydraulic Pump, Tank and Flow Divider

(552: S/N 1057 and Up; 553: S/N 4519 and Up)

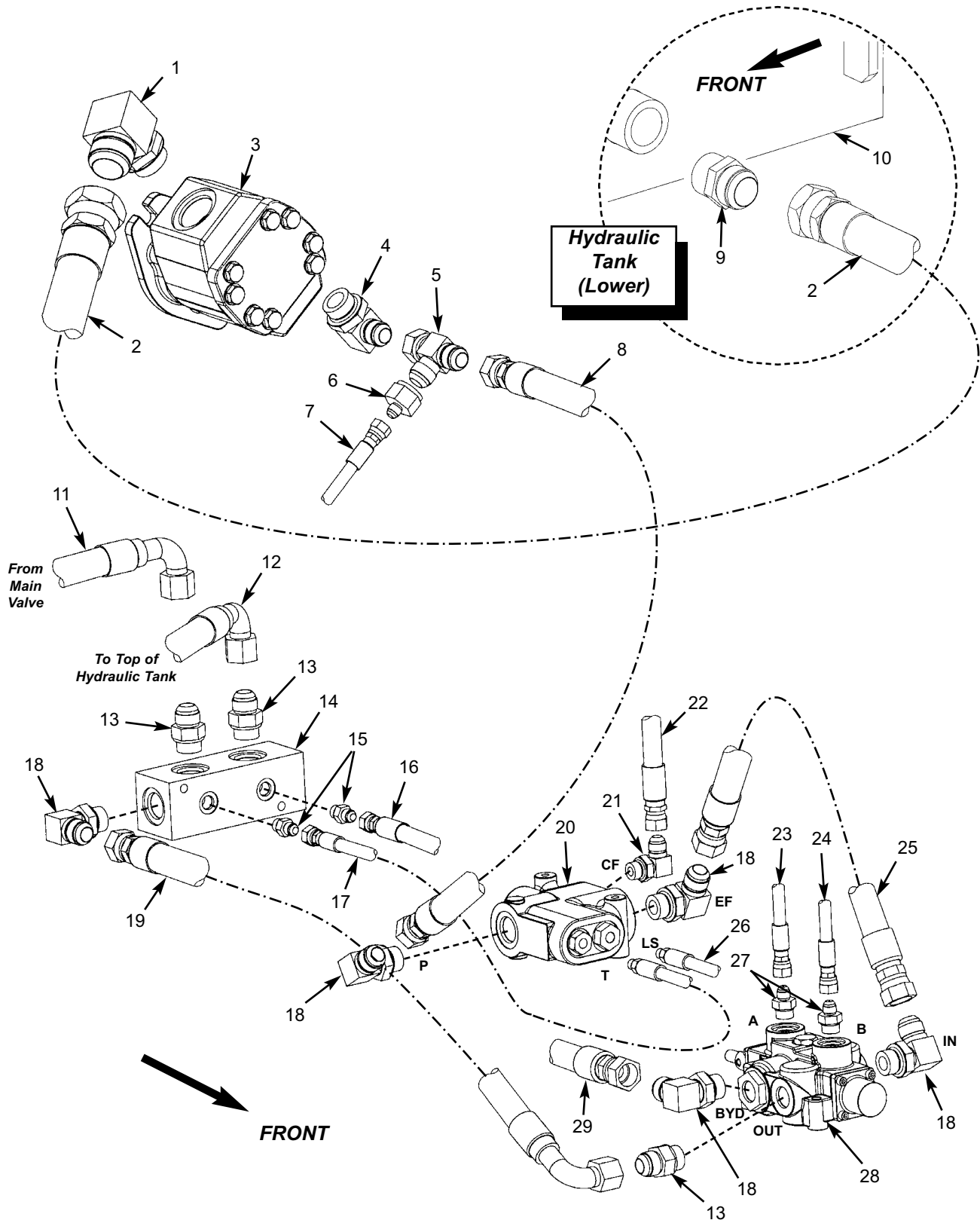
Ref. No.	Part No.	Description	Qty. Req.	Ref. No.	Part No.	Description	Qty. Req.
01	L445014	ADAP, -20ORM -24JICM 90DEG . .	1	16 ^a	L68783	FLOW DIVIDER	1
02	L63309	HOSE, -24 A24/A24 35"	1	17	L444012	ADAP, -4ORM -6JICM STR	1
03	L46865	GASKET, HYD PUMP	1	18	L445002	ADAP, -8ORM -8JICM 90 DEG. . . .	1
04 ^a	L68714	HYDRAULIC PUMP	1	19	L68803	HOSE, -4 A6/A6 40"	1
05	L50184	1/2" FLAT WASHER.	2	20	L68805	HOSE, -6 A6/DS6 70".	1
06	L50283	1/2"-13X1-1/4" BOLT	2	21	L68813	HOSE, -4 A6/AS6 44".	1
07	L62842	ADAP, -4ORM -6JICM 90 DEG. . . .	1	22	L441010	ADAP, -24NPTM -24JICM STR. . . .	1
08	L69920	HOSE, -4 A6/A6 40".	1	23	L444002	ADAP, -6ORM -6JICM STR	3
09	L68802	HOSE, -12 A12/A12 17"	1	24	L446048	ADAP, -6ORM PLUG	1
10	L445012	ADAP, -12ORM -12JICM 45 DEG. . .	3	25 ^b	L68763	HYDRAULIC TANK WELDMENT . . .	1
11	L63384	HOSE, -6 A8/DS8 40".	1				
12	L68804	HOSE, -4 A6/DS6 26".	1	a	<i>Refer to hydraulic breakdown section for a break down of this component.</i>		
13	L445003	ADAP, -6ORM -6JICM 90 DEG. . . .	1				
14	L63406	HOSE, -12 A12/DS12 114".	1	b	<i>Refer to Hydraulic and Fuel Tanks located in Chasis Section for complete list of parts.</i>		
15	L50741	STUD.	2				

HOSE LOCATOR

02	HYDRAULIC PUMP	HYDRAULIC TANK
08	HYDRAULIC PUMP	STEER MOTOR PORT "LS" (<i>refer to next page</i>)
09	HYDRAULIC PUMP	FLOW DIVIDER PORT "IN"
11	HYDRAULIC PUMP	STEER MOTOR PORT "P"
12	FLOW DIVIDER PORT "PF"	FRONT JOYSTICK- SIDE - (LOWER PORT)
14	FLOW DIVIDER PORT "EF"	V20 MAIN VALVE PORT (FRONT LEFT)
19	FLOW DIVIDER PORT "T"	HYDRAULIC TANK RETURN MANIFOLD
20	HYDRAULIC TANK RETURN MANIFOLD	STEER MOTOR PORT "T" (UPPER LEFT)
21	HYDRAULIC TANK RETURN MANIFOLD	FRONT JOYSTICK - SIDE - (UPPER PORT)

Hydraulic Pump, Tank and Priority Valve

(552: Thru S/N 1056; 553: Thru S/N 4518)



Hydraulic Pump, Tank and Priority Valve

(552: Thru S/N 1056; 553: Thru S/N 4518)

Ref. No.	Part No.	Description	Qty. Req.	Ref. No.	Part No.	Description	Qty. Req.
01	L445014	ADAP, -20ORM -24JICM 90DEG . . .	1	17	L63380	HOSE, -4 B4/A6 12"	1
02	L63309	HOSE, -24 A24/A24 35"	1	18	L445001	ADAP, -12ORM -12JICM 90 DEG. . .	5
03	L63308	HYDRAULIC PUMP	1	19	L63408	HOSE, -12 DM12/A12 20"	1
	L46865	GASKET, HYD PUMP	1	20	L64179	PRIORITY VALVE	1
	L50184	1/2" FLAT WASHER	2	21	L445002	ADAP, -8ORM -8JICM 90 DEG. . . .	1
	L50283	1/2"-13X1-1/4" BOLT	2	22	L63384	HOSE, -6 A8/DS8 40"	1
04	L61092	ADAP, -16ORM -12JICM 90	1	23	L63385	HOSE, -4 A6/A6 62"	1
05	L446019	ADAP, -12JICFS 12JICM TEE	1	24	L63385	HOSE, -4 A6/A6 62"	1
06	L51493	ADAP, -12JICF -6JICM.	1	25	L64311	HOSE, -12 A12/A12 21"	1
07	L63402	HOSE, -4 A4/A6 48"	1	26	L63379	HOSE, -4 B4/A4 45"	1
08	L64311	HOSE, -12 A12/A12 21"	1	27	L63143	ADAP, -8ORM -6JICM STR	2
09	L441010	ADAP, -24NPTM -24JICM STR. . . .	1	28	L68313	FRAME LEVEL VLV w/RELIEF. . . .	1
10 ^a	L63216	HYDRAULIC TANK	1	29	L63406	HOSE, -12 DS12/A12 114"	1
11	L63396	HOSE, -12 DS12/A12 94"	1				
12	L63395	HOSE, -12 DS12/A12 26"	1				
13	L444001	ADAP, -12ORM -12JICM STR	2				
14	L63502	MANIFOLD, HYDRAULIC	1				
15	L444002	ADAP, -6ORM -6JICM	2				
16	L63390	HOSE, -6 DS8/A6 48"	1				

a Refer to Hydraulic and Fuel Tanks located in Chasis Section for complete list of parts.

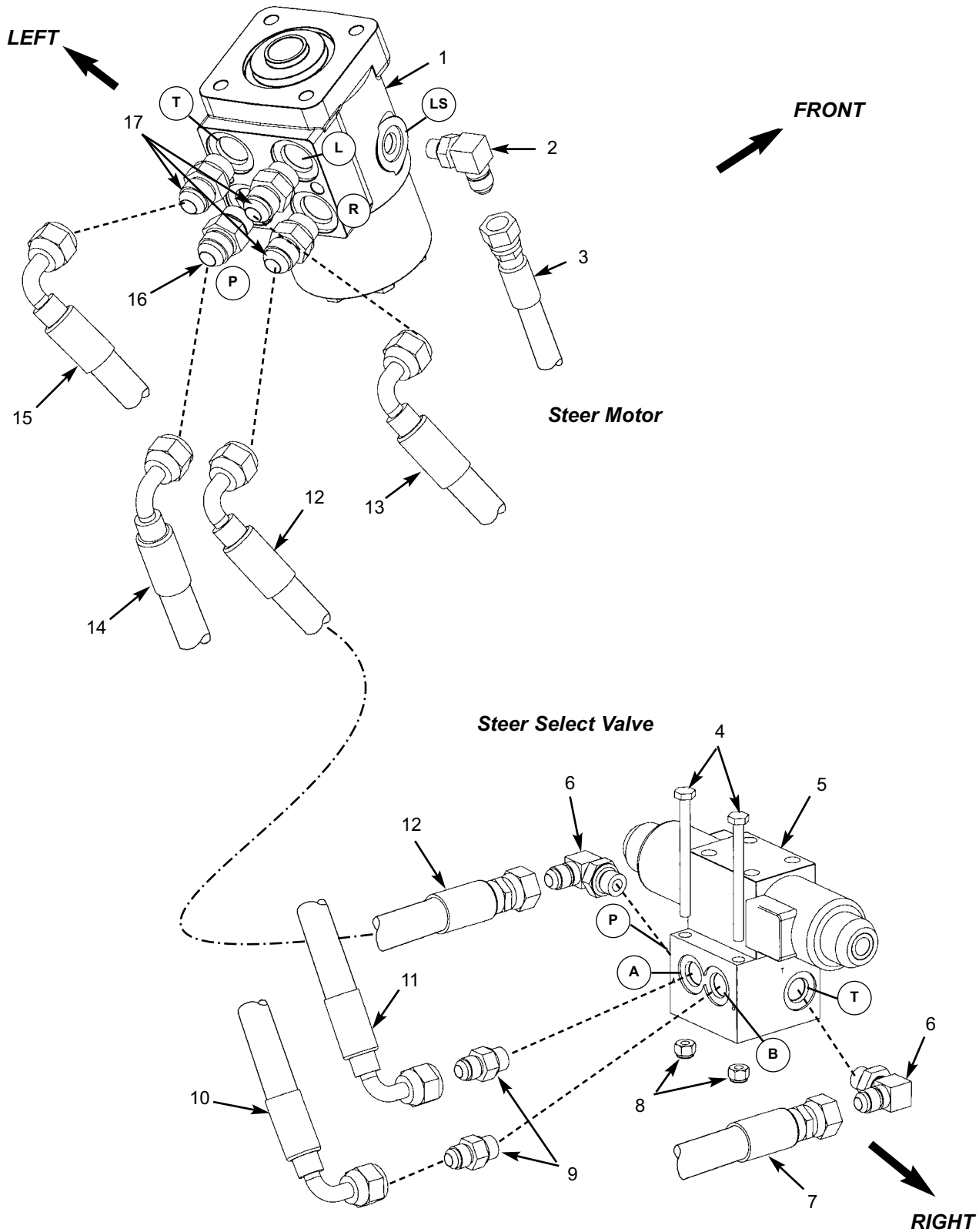
Note: Refer to hydraulic breakdown section for a break down of this component.

HOSE LOCATOR

02	HYDRAULIC PUMP "IN"	HYDRAULIC TANK (LOWER)
07	HYDRAULIC PUMP ("OUT" RUN TEE)	TESTPORT (DASH)
08	HYDRAULIC PUMP ("OUT" RUN TEE)	PRIORITY VALVE "P" PORT
11	HYDRAULIC MANIFOLD (TOP LEFT)	MAIN VALVE "OUT" (RELIEF VALVE)
12	HYDRAULIC MANIFOLD (TOP RIGHT)	HYDRAULIC TANK (FILTER)
16	HYDRAULIC MANIFOLD (FRONT LEFT)	STEER MOTOR "T" PORT
17	HYDRAULIC MANIFOLD (FRONT RIGHT)	PRIORITY VALVE "T" PORT
19	HYDRAULIC MANIFOLD (LEFT SIDE)	PRIORITY VALVE "OUT" PORT
22	PRIORITY VALVE "CF" PORT	STEER MOTOR "P" PORT
23	LEVEL VALVE "A" PORT	LEVEL CYLINDER "EXTEND" PORT
24	LEVEL VALVE "B" PORT	LEVEL CYLINDER "RETRACT" PORT
25	PRIORITY VALVE "EF" PORT	LEVEL VALVE "IN" PORT
26	PIRORITY VALVE "LS" PORT	STEER MOTOR "LS" PORT
29	LEVEL VALVE "BYD" PORT	MAIN VALVE "IN" PORT

Steer Motor and Steer Select Valve

(552: S/N 1057 and Up; 553: S/N 4519 and Up)



Steer Motor and Steer Select Valve

(552: S/N 1057 and Up; 553: S/N 4519 and Up)

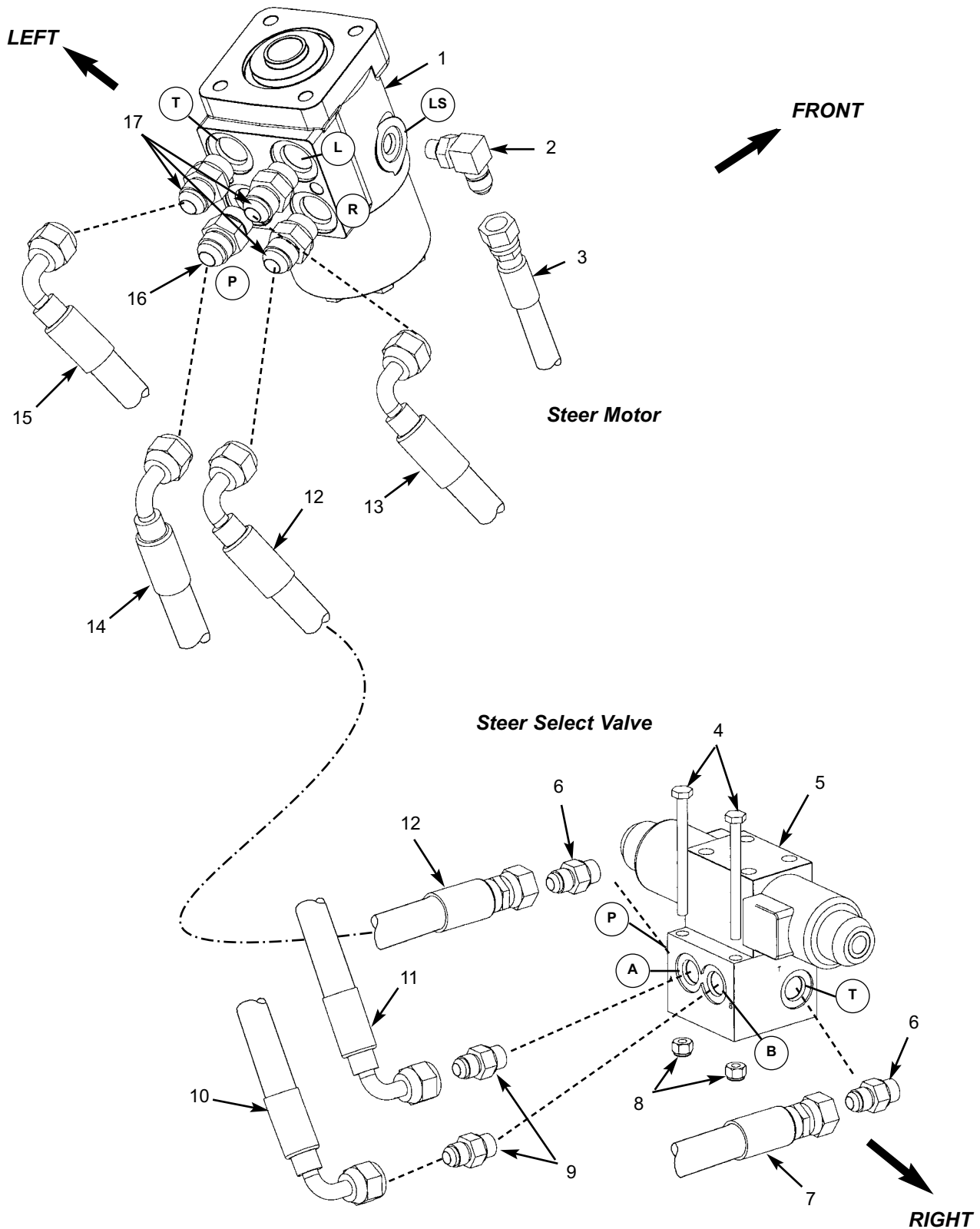
Ref. No.	Part No.	Description	Qty. Req.	Ref. No.	Part No.	Description	Qty. Req.
01	L68713	STEERING CONTROL UNIT	1	09	L444002	ADAP, -6ORM -6JICM STR	2
02	L62482	ADAP, -4ORM -6JICM 90 DEG.	1	10	L63403	HOSE, -6 A8/DS6 110".	1
03	L63379	HOSE -4 B4/A4 45"	1	11	L63388	HOSE, -6 A8/DS6 100".	1
04	L50535	1/4"-20X3" BOLT	2	12	L63383	HOSE, -6 A6/DS8 52".	1
05	L69747	VALVE, STEER SELECT	1	13	L63387	HOSE, -6 A8/DS8 67".	1
	L68711	HARNESS, WIRE ADAPTER.	2	14	L63384	HOSE, -6 A8/DS8 40".	1
06	L445003	ADAP, -6ORM -6JICM 90 DEG.	2	15	L68805	HOSE, -6 A6/DS6 70".	1
07	L63386	HOSE, -6 A8/A6 36".	1	16	L64524	VALVE, CHECK	1
08	L520003	1/4"-20 NYLON INSERT NUT.	2	17	L444004	ADAP, -8ORM -8JICM STR	3

HOSE LOCATOR

03	STEER MOTOR PORT "LS"	HYDRAULIC PUMP (item #8 on page 101)
07	STEER SELECT VALVE PORT "T"	STEER CYLINDER, FRONT AXLE RIGHT SIDE
10	STEER SELECT VALVE PORT "B"	STEER CYLINDER, REAR AXLE RIGHT SIDE
11	STEER SELECT VALVE PORT "A"	STEER CYLINDER, REAR AXLE LEFT SIDE
12	STEER MOTOR PORT "R"	STEER SELECT VALVE PORT "P"
13	STEER MOTOR PORT "L"	STEER CYLINDER, FRONT AXLE RIGHT SIDE
14	STEER MOTOR PORT "P"	HYDRAULIC PUMP (item #11 on page 101)
15	STEER MOTOR PORT "T"	HYDRAULIC TANK RETURN MANIFOLD

Steer Motor and Steer Select Valve

(552: Thru S/N 1056; 553: Thru S/N 4518)



Steer Motor and Steer Select Valve

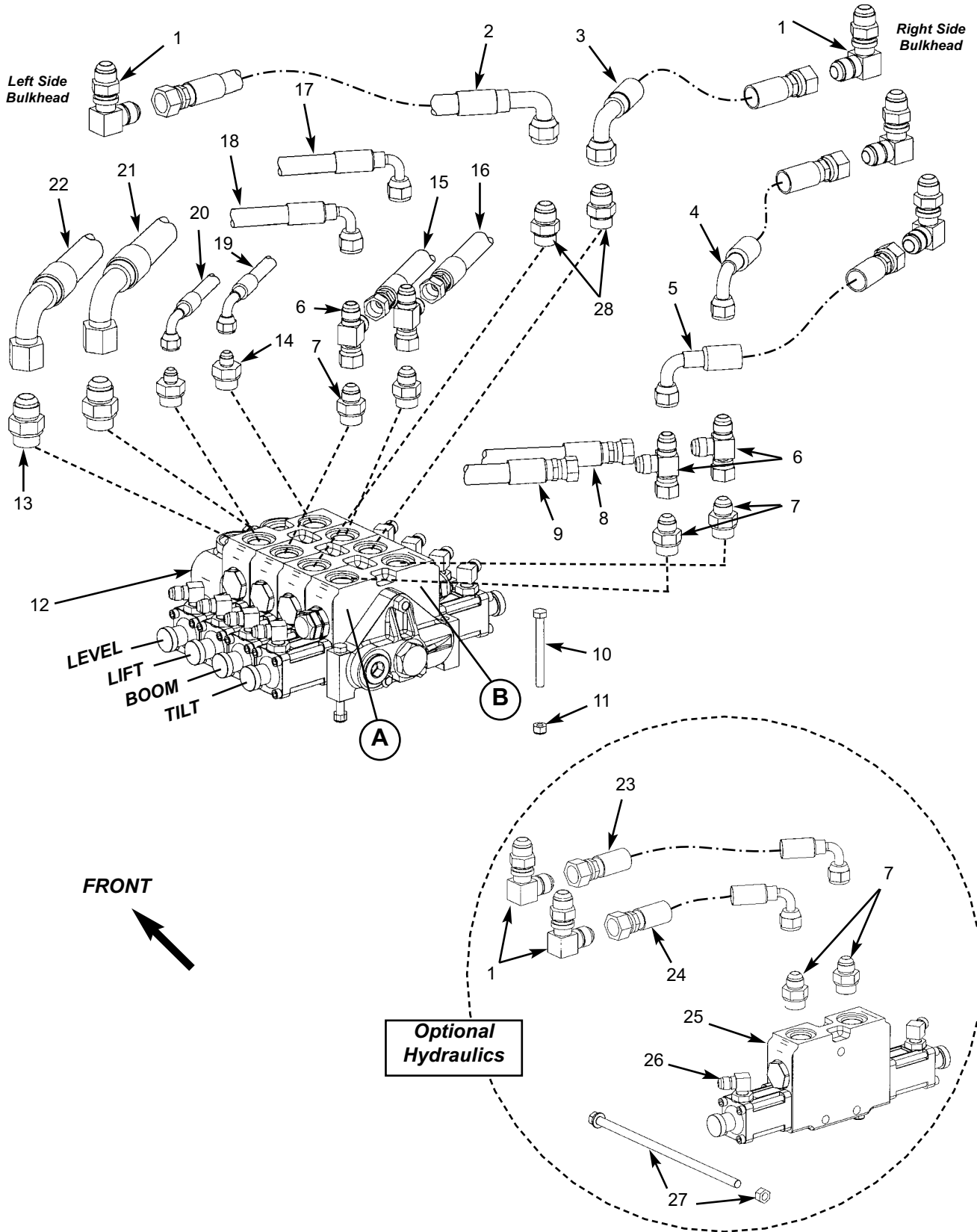
(552: Thru S/N 1056; 553: Thru S/N 4518)

Ref. No.	Part No.	Description	Qty. Req.	Ref. No.	Part No.	Description	Qty. Req.
01		STEERING CONTROL UNIT	1	11	L63388	HOSE, -6 A8/DS6 100"	1
	L66753	<i>See note a</i>		12	L63383	HOSE, -6 A6/DS8 52"	1
	L64523	<i>See note b</i>		13	L63387	HOSE, -6 A8/DS8 67"	1
02	L51591	ADAP, -4ORM -4JICM 90 DEG.	1	14	L63384	HOSE, -6 A8/DS8 40"	1
03	L63379	HOSE -4 B4/A4 45"	1	15	L63390	HOSE, -6 A6/DS8 48"	1
04	L50535	1/4"-20X3" BOLT	2	16	L64524	VALVE, CHECK	1
05	L69747	VALVE, STEER SELECT	1	17	L444004	ADAP, -8ORM -8JICM STR	3
	L68711	HARNESS, WIRE ADAPTER.	2				
06	L444002	ADAP, -6ORM -6JICM STR	2				
07	L63386	HOSE, -6 A8/A6 36"	1	a	552: S/N 1012 Thru S/N 1056 553: S/N 3178 Thru S/N 4518		
08	L520003	1/4"-20 NYLON INSERT NUT.	2				
09	L444002	ADAP, -6ORM -6JICM STR	2				
10	L63403	HOSE, -6 A8/DS6 110"	1	b	552: Thru S/N 1011 553: Thru S/N 3177		

HOSE LOCATOR

03	STEER MOTOR PORT "LS"	PRIORITY VALVE "LS" PORT
07	STEER SELECT VALVE PORT "T"	STEER CYLINDER, FRONT AXLE RIGHT SIDE
10	STEER SELECT VALVE PORT "B"	STEER CYLINDER, REAR AXLE RIGHT SIDE
11	STEER SELECT VALVE PORT "A"	STEER CYLINDER, REAR AXLE LEFT SIDE
12	STEER MOTOR PORT "R"	STEER SELECT VALVE PORT "P"
13	STEER MOTOR PORT "L"	STEER CYLINDER, FRONT AXLE RIGHT SIDE
14	STEER MOTOR PORT "P"	PRIORITY VALVE "CF" PORT
15	STEER MOTOR PORT "T"	HYDRAULIC MANIFOLD

Main Valve Group (552: S/N 1057 and Up; 553: S/N 4519 and Up)



Main Valve Group

(552: S/N 1057 and Up; 553: S/N 4519 and Up)

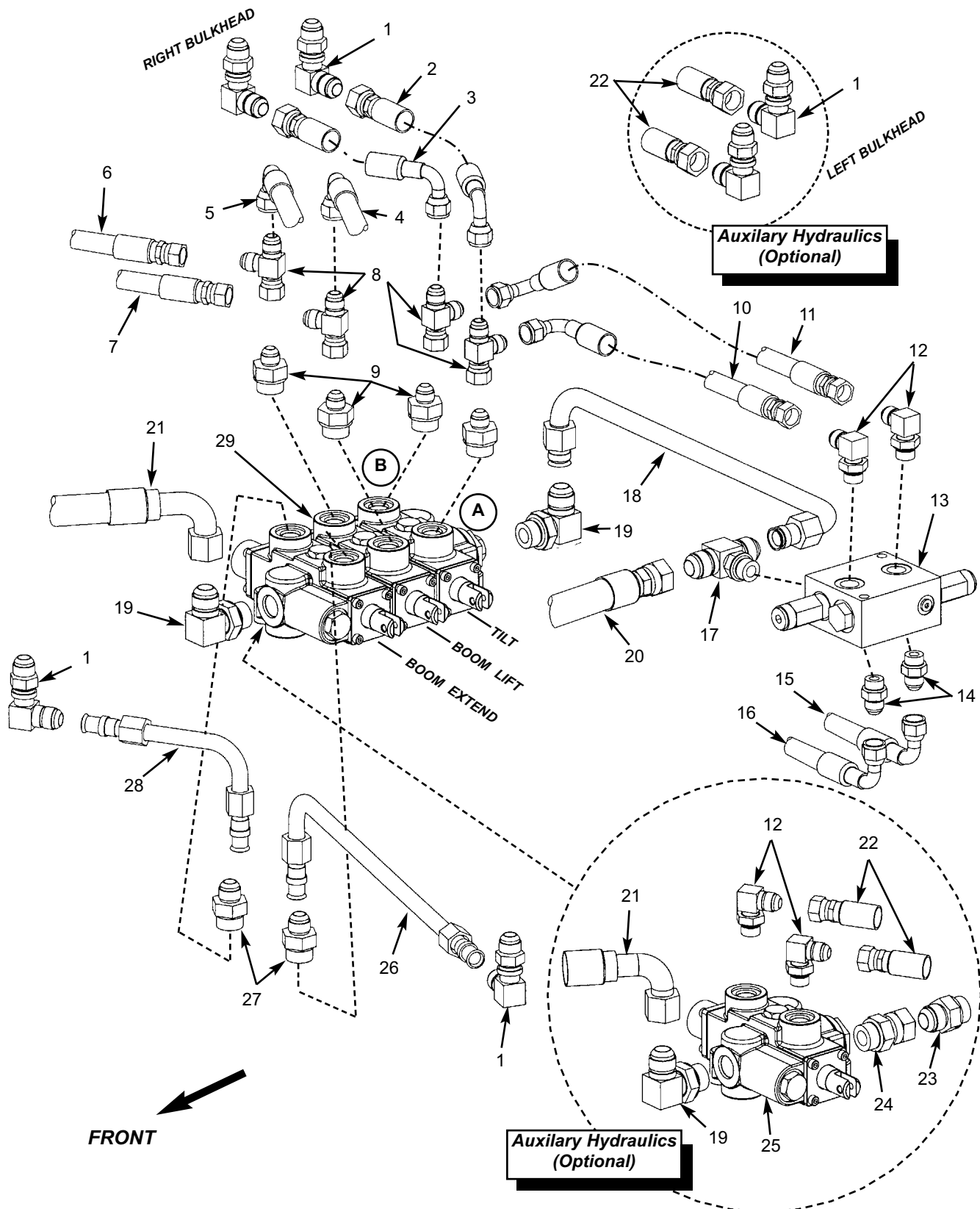
Ref. No.	Part No.	Description	Qty. Req.	Ref. No.	Part No.	Description	Qty. Req.
01 ^a	L443011	ADAP, BLKHEAD 90 -10JICM	4	15	L63407	HOSE, -6 A8/A8 48"	1
02	L68814	HOSE, -8 A10/DS10 15"	1	16	L63407	HOSE, -6 A8/A8 48"	1
03	L68814	HOSE, -8 A10/DS10 15"	1	17	L68807	HOSE, -6 A8/DS8 54"	1
04	L68816	HOSE, -8 A10/DS8 14"	1	18	L68808	HOSE, -6 A8/DS8 48"	1
05	L68815	HOSE, -8 A10/DS8 17"	1	19	L68809	HOSE, -4 A6/DS6 136"	1
06	L446026	ADAP, -8JICFS -8JICM RUN T. . . .	4	20	L68809	HOSE, -4 A6/DS6 136"	1
07 ^a	L444008	ADAP, -10ORM -8JICM	4	21	L63406	HOSE, -12 A12/DS12 114"	1
08	L68817	HOSE, -6 A8/A8 26"	1	22	L68806	HOSE, -12 A12/DS12 120"	1
09	L63407	HOSE, -6 A8/A8 48"	1	23	L68815	HOSE, -8 A10/DS8 17"	1
10	L50895	5/16"-18X3" BOLT	3	24	L68816	HOSE, -8 A10/DS8 14"	1
11	L520004	5/16"-18 NYLON INSERT NUT. . . .	3	25	L68778	KIT, VALVE SECTION	1
12	L68694	VALVE, MAIN CONTROL (V20)	1			(includes item #27)	
13	L444001	ADAP, -12ORM -12JICM STR	2	26	L445003	ADAP, -6ORM -6JICM 90 DEG. . . .	10
14	L60253	ADAP, -10ORM -JICM STR	2	27	NSS	BOLT KIT (included with item #25) .	1
				28	L444010	ADAP, -10ORM -10JICM	2

a Add (2) to quantity when unit is equipped with optional hydraulics

HOSE LOCATOR

02	MAIN VALVE SECTION 3 PORT "A"	BULKHEAD FITTING TO (BOOM EXTEND)
03	MAIN VALVE SECTION 3 PORT "B"	BULKHEAD FITTING TO (BOOM RETRACT)
04	MAIN VALVE SECTION 4 PORT "B"	BULKHEAD FITTING TO (TILT CYL. RETRACT)
05	MAIN VALVE SECTION 4 PORT "A"	BULKHEAD FITTING TO (TILT CYL. EXTEND)
08	MAIN VALVE SECTION 4 PORT "B"	SLAVE CYLINDER (BOTTOM-RETRACT)
09	MAIN VALVE SECTION 4 PORT "A"	SLAVE CYLINDER (TOP-EXTEND)
15	MAIN VALVE SECTION 2 PORT "A"	LIFT CYLINDER (RIGHT) (OUTSIDE-EXTEND)
16	MAIN VALVE SECTION 2 PORT "B"	LIFT CYLINDER (RIGHT) (INSIDE-RETRACT)
17	MAIN VALVE SECTION 2 PORT "B"	LIFT CYLINDER (LEFT) (OUTSIDE-RETRACT)
18	MAIN VALVE SECTION 2 PORT "A"	LIFT CYLINDER (LEFT) (INSIDE-EXTEND)
19	MAIN VALVE SECTION 1 PORT "B"	LEVEL CYLINDER (OUTSIDE-RETRACT)
20	MAIN VALVE SECTION 1 PORT "A"	LEVEL CYLINDER (INSIDE-EXTEND)
21	MAIN VALVE "IN"	FLOW DIVIDER PORT "EF"
22	MAIN VALVE "OUT"	HYDRAULIC TANK (FILTER COVER FITTING)
23	OPTIONAL HYD. SECTION PORT "B"	BULKHEAD FITTING TO (OPTION - RETRACT)
24	OPTIONAL HYD. SECTION PORT "A"	BULKHEAD FITTING TO (OPTION - EXTEND)

Main Valve Group (552: Thru S/N 1056; 553: Thru S/N 4518)



Main Valve Group
(552: Thru S/N 1056; 553: Thru S/N 4518)

Ref. No.	Part No.	Description	Qty. Req.	Ref. No.	Part No.	Description	Qty. Req.
01 ^a	L443011	ADAP, BLKHEAD 90 -10JICM . . . AR		19	L445001	ADAP, -12ORM -12JICM 90 DEG. . . 2	
02		HOSE 1		20	L63396	HOSE, -12 DS12/A12 94". 1	
	L68373	See note a (-8 A10/DS8 20")		21	L63406	HOSE, -12 DS12/A12 114". 1	
	L63389	See note b (-8 A8/H8 58")		22		HOSE, AUXILARY HYD. 2	
03		HOSE 1			L68239	See note a (-8 H10/DS10 54")	
	L68372	See note a (-8 A10/DS8 30")			L63599	See note b (-6 H8/A8 72")	
	L63389	See note b (-8 A8/H8 58")		23	L444001	ADAP, -12ORM -12JICM STR 1	
04	L63397	HOSE, -6 DS8/A8 60" 1		24	L65557	ADAP, -12ORM -12JICFS SWVL . . 1	
05	L63398	HOSE, -6 DS8/A8 64" 1		25	L64411	AUXILARY VALVE 1	
06	L63407	HOSE, -6 A8/A8 48" 1		26		VALVE TO BLKHEAD (LEFT) 1	
07	L63407	HOSE, -6 A8/A8 48" 1			L68364	See note a (Uses a tube)	
08	L446026	ADAP, -8JICFS -8JICM RUN T. . . . 4			L63391	See note b (Hose, -8 DM8/A8 92")	
09	L444003	ADAP, -12ORM -8JICM STR 4		27		ADAPTER, HYDRAULIC 2	
10		HOSE 1			P47135	See note a	
	L68370	See note a (-8 DS8/A8 18")				(ADAP, -12ORM -10JICM STR)	
	L63392	See note b (-6 DS8/A8 20")			L445006	See note b	
11		HOSE 1				(ADAP -12ORM -8JICM 90 DEG)	
	L68371	See note a (-8 DS8/A8 21")		28		VALVE TO BLKHEAD (RIGHT) 1	
	L63392	See note b (-6 DS8/A8 20")			L68363	See note a (Uses a tube)	
12	L445002	ADAP, -8ORM -8JICM 90 DEG . . AR			L63391	See note b (Hose, -8 DM8/A8 92")	
13	L64658	RELIEF VALVE 1		29	L63125	MAIN VALVE 1	
14	L444004	ADAP, -8ORM -8JICM STR 2					
15		HOSE 1		a	For units:		
	L68369	See note a (-6 DL8/A8 51")			552: S/N 1015 Thru S/N 1056		
	L63394	See note b (-6 A8/A8 27")			553: S/N 3340 Thru S/N 4518		
16		HOSE 1		b	For units:		
	L68353	See note a (-6 DS8/A8 24")			552: Thru S/N 1014		
	L63393	See note b (-6 A8/A8 19")			553: Thru S/N 3339		
17	L63490	ADAP, -10ORM -12JICM BR TEE. . 1			Note: Port "A" is the extend side of the valve		
18		HOSE/TUBE, VALVE TO RELIEF . . 1			Port "B" is the retract side of the valve		
	L68357	See note a (Uses a tube)					
	L63401	See note b (Hose -12 A12/A12 35")					

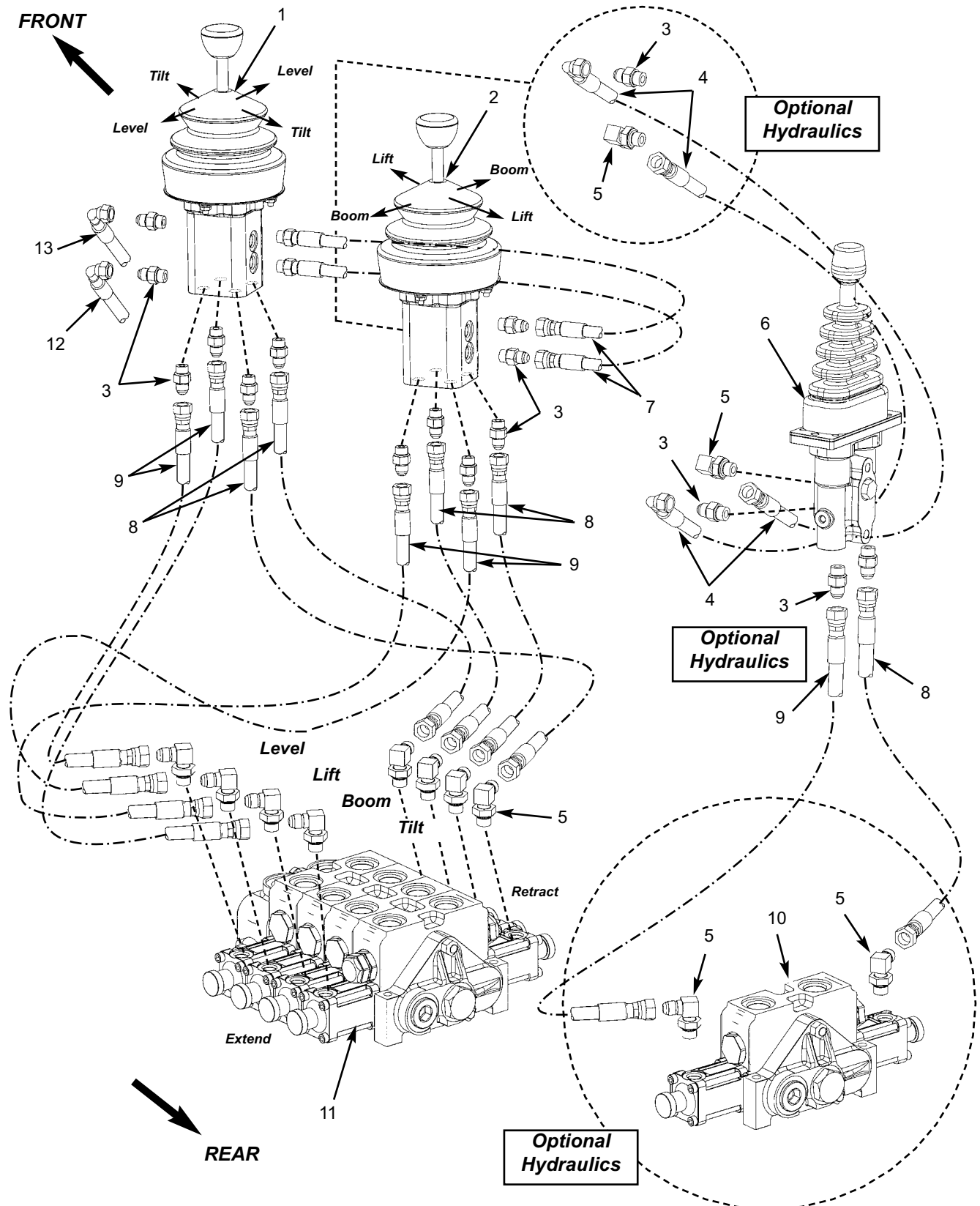
HOSE LOCATOR

02	MAIN VALVE TILT SECTION PORT "A"	BULKHEAD FITTING* TO (TILT CYL. EXTEND)
03	MAIN VALVE TILT SECTION PORT "B"	BULKHEAD FITTING* TO (TILT CYL. RETRACT)
04	MAIN VALVE LIFT SECTION PORT "A"	LIFT CYLINDER (LEFT) (EXTEND)
05	MAIN VALVE LIFT SECTION PORT "B"	LIFT CYLINDER (LEFT) (RETRACT)
06	MAIN VALVE LIFT SECTION PORT "A"	LIFT CYLINDER (RIGHT) (RETRACT)
07	MAIN VALVE LIFT SECTION PORT "B"	LIFT CYLINDER (RIGHT) (EXTEND)
10	MAIN VALVE TILT SECTION PORT "A"	RELIEF VALVE UPPER PORT "P2"
11	MAIN VALVE TILT SECTION PORT "B"	RELIEF VALVE UPPER PORT "P1"
15	RELIEF VALVE LOWER PORT "P1"	SLAVE CYLINDER (RETRACT)
16	RELIEF VALVE LOWER PORT "P2"	SLAVE CYLINDER (EXTEND)
18	MAIN VALVE "OUT"	RELIEF VALVE "T"
20	RELIEF VALVE PORT "T"	HYDRAULIC MANIFOLD
21	MAIN VALVE "IN"	LEVEL VALVE "BYD"
22	AUXILARY HYD. SECTION PORT "A"	BULKHEAD FITTING TO (OPTION - EXTEND)
22	AUXILARY HYD. SECTION PORT "B"	BULKHEAD FITTING TO (OPTION - RETRACT)

* Bulkhead fittings not used on older units, hose connects directly to tube on boom which goes to tilt cylinder.

Joystick Group

(552: S/N 1057 and Up; 553: S/N 4519 and Up)



Joystick Group

(552: S/N 1057 and Up; 553: S/N 4519 and Up)

Ref. No.	Part No.	Description	Qty. Req.	Ref. No.	Part No.	Description	Qty. Req.
01	L68775	JOYSTICK, W/GATE	1	10 ^c	L68778	KIT, VALVE SECTION	1
	L50211	1/4"-20X3/4" BOLT	4	11	L68694	VALVE, MAIN CONTROL	1
	L50051	1/4"-20 FLANGE NUT	4	12	L68804	HOSE, -4 A6/DS6 26"	1
02 ^a	L62553	JOYSTICK	1	13	L68805	HOSE, -4 A6/DS6 70"	1
	L50211	1/4"-20X3/4" BOLT	4				
	L50051	1/4"-20 FLANGE NUT	4				
03 ^b	L444002	ADAP, -6ORM -6JICM	12	a	<i>Use (2) L446048 -6ORM Plugs when not equipped with optional hydraulics.</i>		
04 ^c	L68824	HOSE, -4 A6/DS6 20"	2				
05 ^b	L445003	ADAP, -6ORM -6JICM 90 DEG.	8	b	<i>Hydraulic option requires (4) additional L444002 fittings and (4) additional L445003 fittings and (1) additional L68810 hose and (1) additional L68811 hose.</i>		
06 ^c	L60302	JOYSTICK, 2 WAY	1				
	L50211	1/4"-20X3/4" BOLT	4				
	L50051	1/4"-20 FLANGE NUT	4				
07	L68812	HOSE, -4 A6/B6 18"	2				
08 ^b	L68811	HOSE, -4 A6/A6 108" (retract)	4				
09 ^b	L68810	HOSE, -4 A6/A6 96" (extend)	4	c	<i>Used only on units equipped with hydraulic option.</i>		

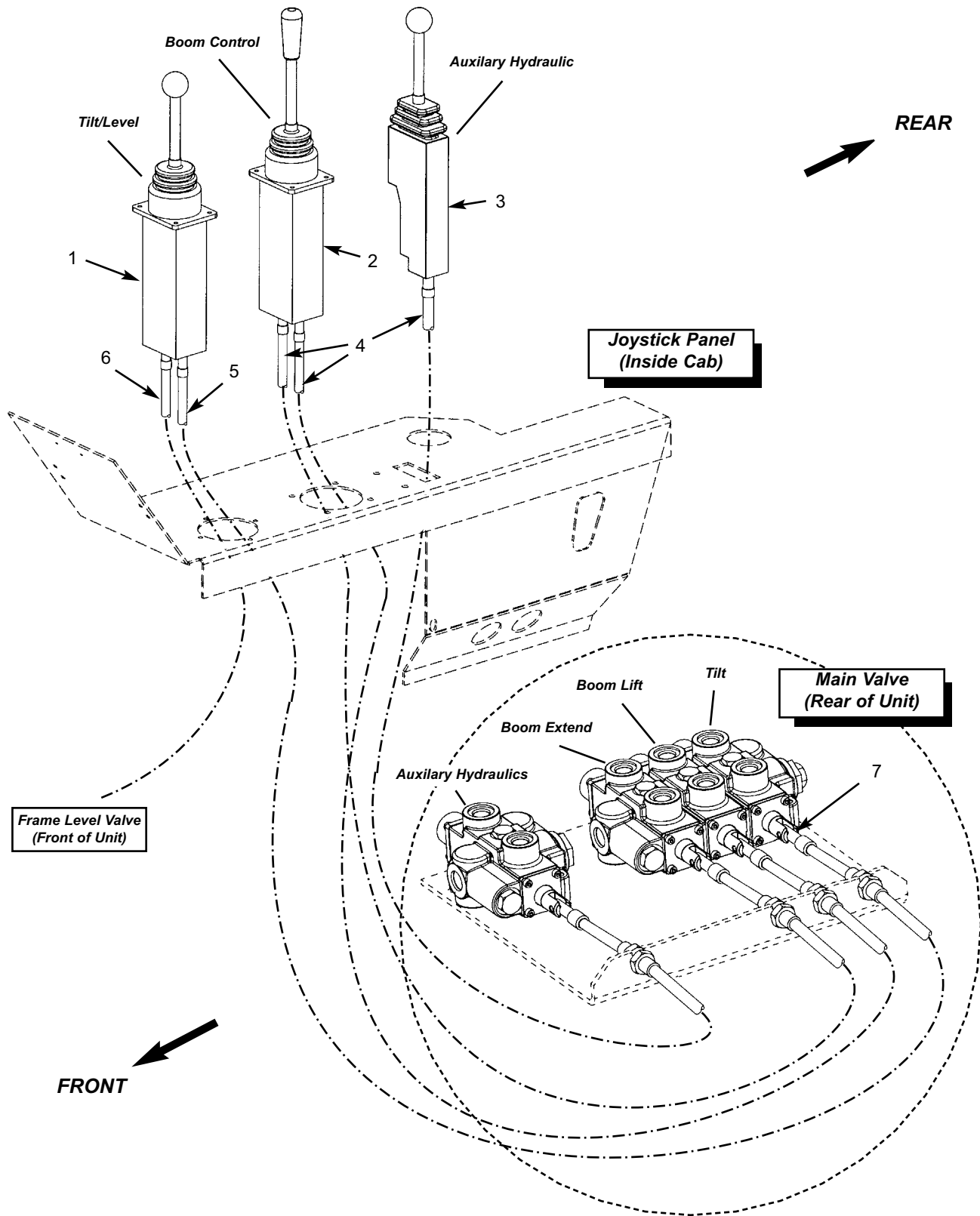
HOSE LOCATOR

12	FRONT JOYSTICK - SIDE - (LOWER PORT)	FLOW DIVIDER PORT "PF"
13	FRONT JOYSTICK - SIDE - (UPPER PORT)	HYDRAULIC TANK RETURN MANIFOLD

Other hoses are located as shown in illustration.

Joystick Group

(552: Thru S/N 1056; 553: Thru S/N 4518)

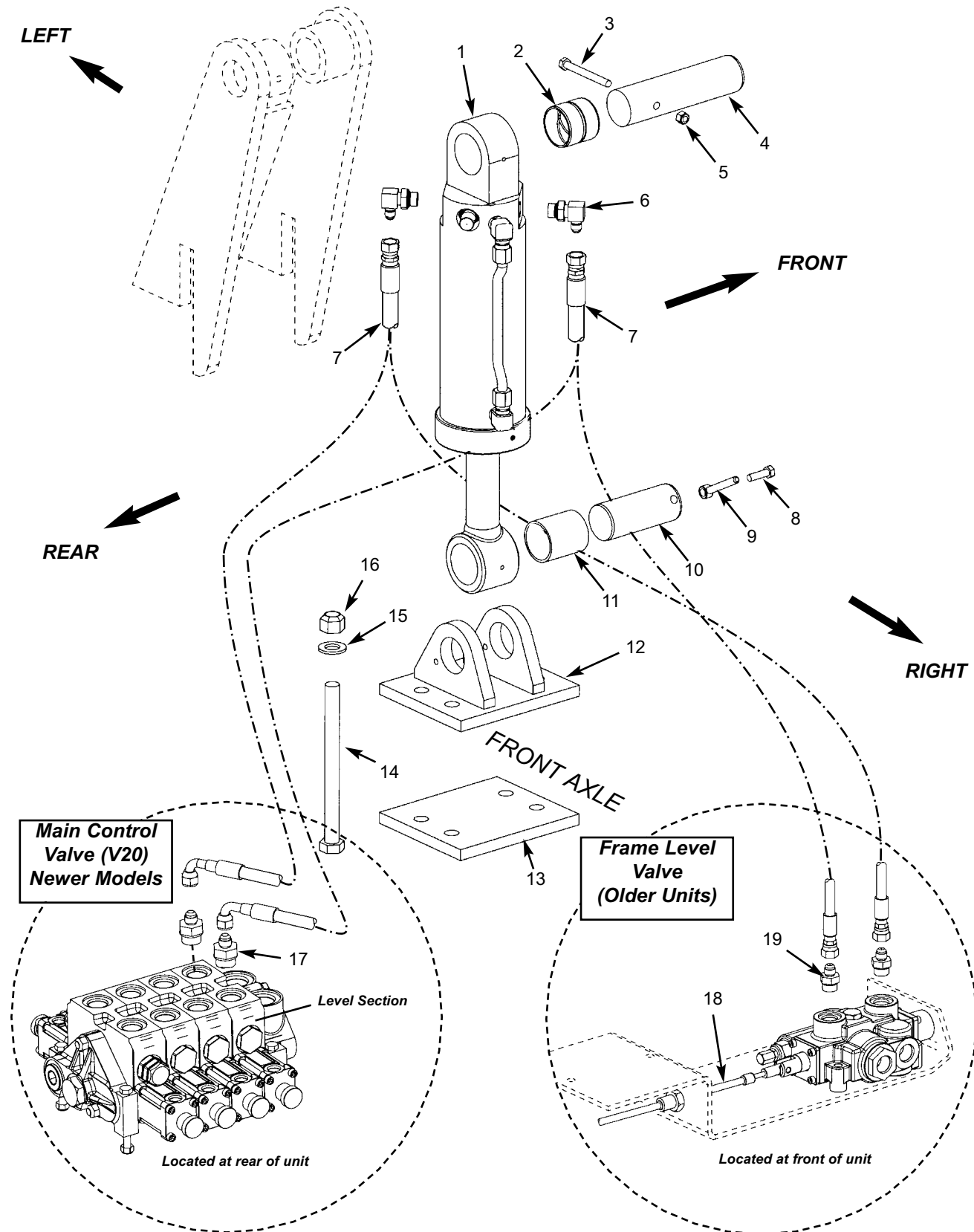


Joystick Group

(552: Thru S/N 1056; 553: Thru S/N 4518)

Ref. No.	Part No.	Description	Qty. Req.	Ref. No.	Part No.	Description	Qty. Req.
01	L63345	TILT/LEVEL JOYSTICK	1	04	L63128	LIFT/EXT/AUX CABLE ASY.. . . .	3
	L52024	1/4"-20X1" BUTT. HD BOLT	4	05	L63630	TILT CABLE ASSEMBLY	1
	L50051	1/4"-20 FLANGE NUT	4	06	L63128	FRAME LEVEL CABLE ASY.	1
	L45666	VINYL CLAMP 1"	2	07	L63476	CABLE ADAPTER.	4
02	L63345	BOOM CONTROL JOYSTICK	1		L50055	1/4"-28 NUT	4
	L52024	1/4"-20X1" BUTT. HD BOLT	4		L65842	1/4"-1-1/8" CLEVIS PIN.	4
	L50051	1/4"-20 FLANGE NUT	4		L50612	1/16" COTTER PIN.	4
	L45666	VINYL CLAMP 1"	2				
	L50056	5/16"-18 FLANGE NUT	1				
03	L63127	AUXILARY FUNCTION JOYSTICK. .	1				
	L63457	MOUNT	1				
	L52025	5/16"-18X3/4" BUTT. HD BOLT . .	2				
	L50056	5/16"-18 FLANGE NUT	2				

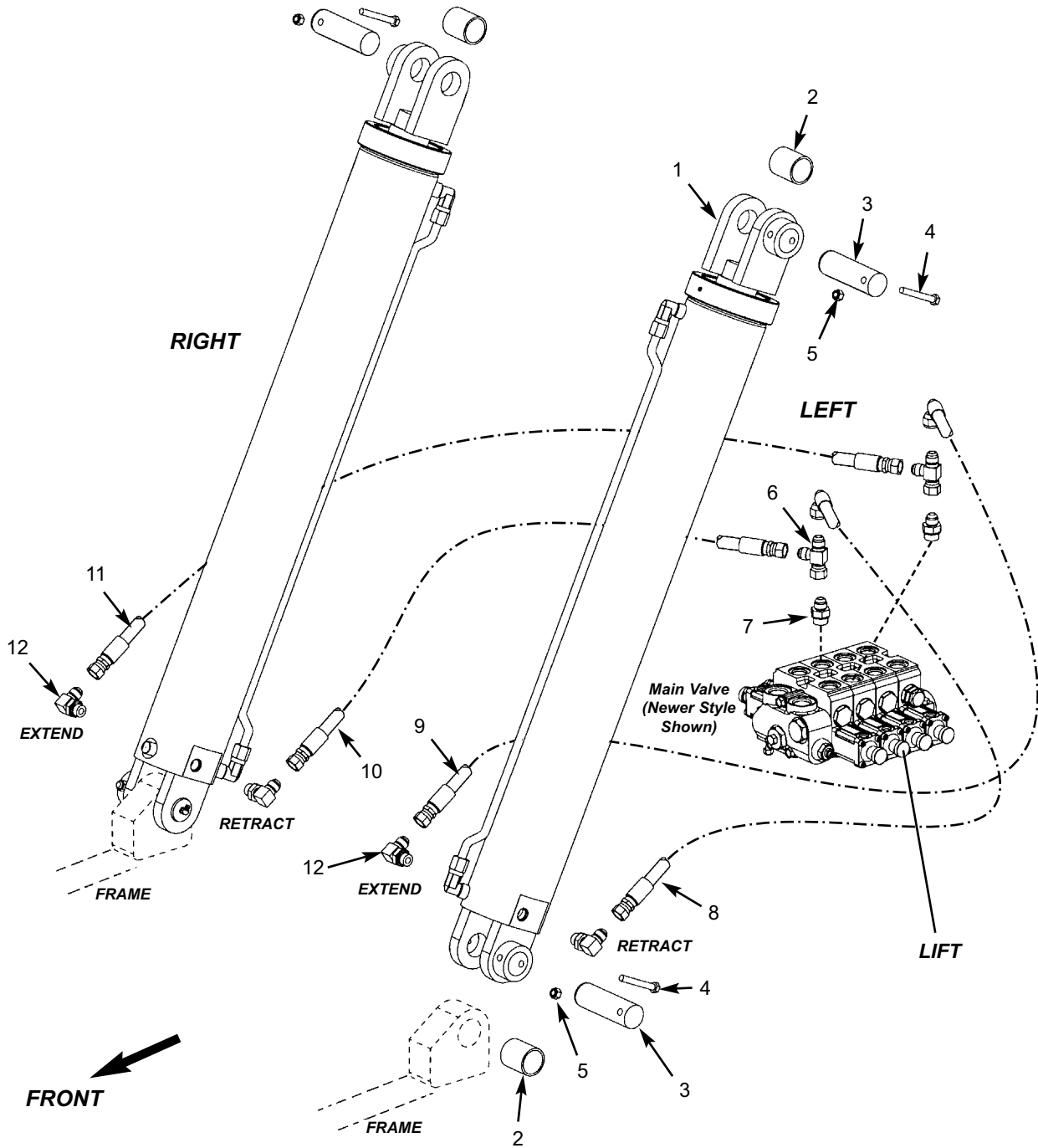
Frame Level Group



Frame Level Group

Ref. No.	Part No.	Description	Qty. Req.	Ref. No.	Part No.	Description	Qty. Req.
01	L63015	LEVEL CYLINDER	1	13		PLATE, FRAME LEVEL	1
02	L64367	BRONZE BEARING	1		L68876	<i>See note c</i>	
03	L50277	3/8"-16X3-1/2" BOLT	1		L63115	<i>See note d</i>	
04	L63276	PIN, CYLINDER (<i>Base End</i>)	1	14	L50712	3/4"-10X9" GR8 BOLT	4
05	L520005	3/8"-16 NYLON INSERT NUT	1	15	L50157	3/4" FLAT WASHER	4
06		ADAPTER, HYDRAULIC	2	16	L50084	3/4"-10 STOVER NUT	4
	L68794	<i>See note a</i> (W/ORF -8ORM-6JICM)		17 ^a	L60253	ADAP, -10ORM -6JICM	2
	L445005	<i>See note b</i> (-8ORM -6JICM 90DEG)		18 ^b	L63128	FRAME LEVEL CABLE ASY.	1
07		HOSE		19 ^b	L63143	ADAP, -8ORM -6JICM W/ORF.	2
	L68809	<i>See note a</i> (-4 A6/DS6 136")	2				
	L63385	<i>See note b</i> , (-4 A6/A6 62")	2	<i>a</i>		552: S/N 1057 and Up 553: S/N 4519 and Up	
08		BOLT	1				
	L50403	<i>Note c</i> (3/8"-16X1-1/4" BOLT)					
	L50275	<i>Note d</i> (3/8"-16x3" BOLT)		<i>b</i>		552: Thru S/N 1056 553: Thru S/N 4518	
	L520005	3/8"-16 LOCK NUT					
09 ^c	L68881	LOCK, PIVOT PIN	1				
10		PIVOT PIN (<i>Rod End</i>)	1	<i>c</i>		552: S/N 1075 and Up 553: S/N 4832 and Up	
	L68882	<i>See note c</i>					
	L63275	<i>See note d</i>					
11	L63016	BRONZE BEARING	1	<i>d</i>		552: Thru S/N 1074 553: Thru S/N 4831	
12		FRAME LEVEL MOUNT	1				
	L68878	<i>See note c</i>					
	L63009	<i>See note d</i>					

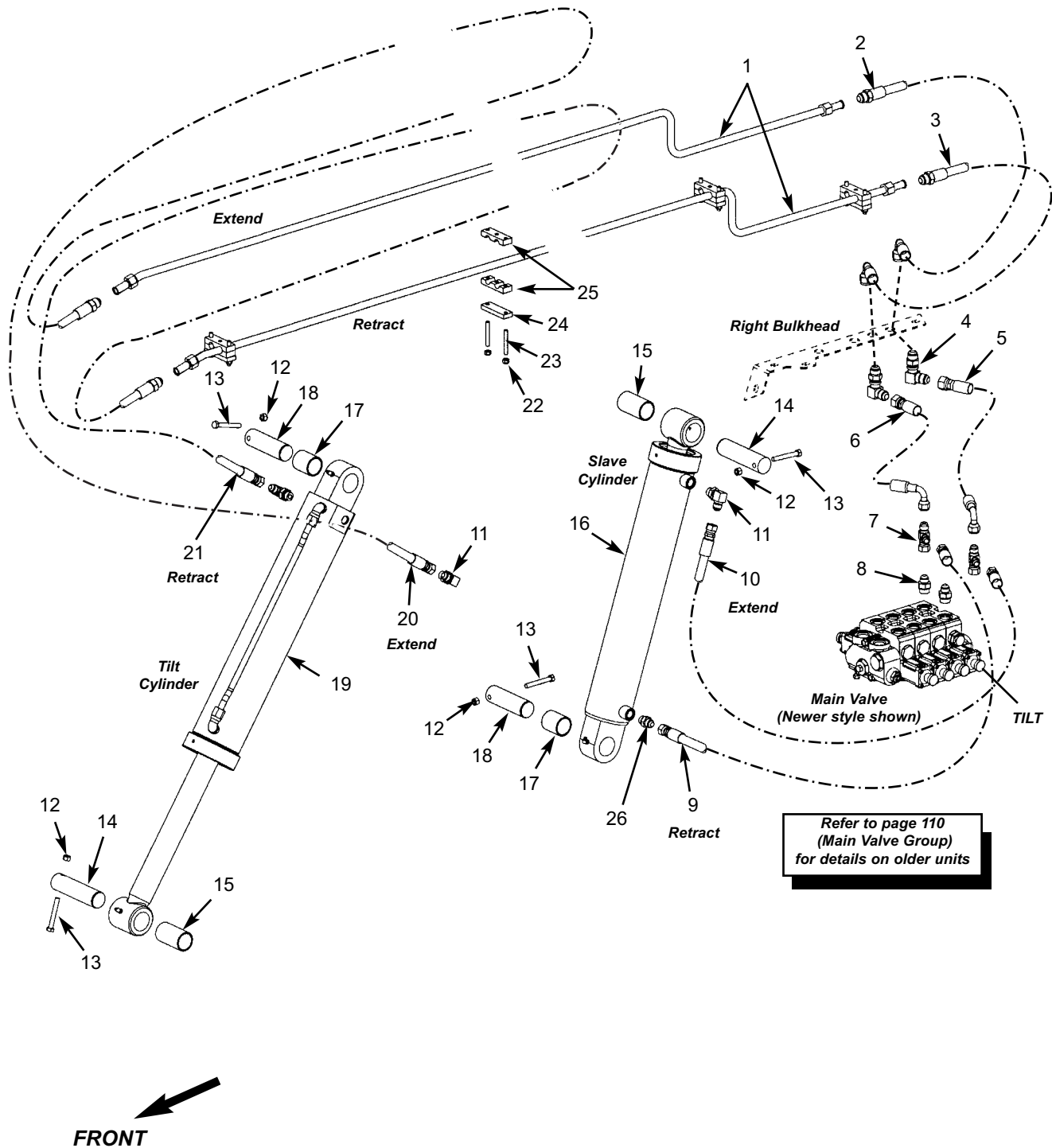
Lift Cylinder Group



Lift Cylinder Group

Ref. No.	Part No.	Description	Qty. Req.	Ref. No.	Part No.	Description	Qty. Req.
01	L63199	LIFT CYLINDER.	2	09		HOSE	1
02	L63017	BRONZE BUSHING.	4		L68808	See note a (-6 A8/DS8 48")	
03	L63274	PIN, LIFT CYLINDER.	4		L63397	See note b (-6 A8/DS8 60")	
04	L50273	3/8"-16X2-3/4" BOLT	4	10	L63407	HOSE, -6 A8/A8 48"	1
05	L520005	3/8"-16 NYLON INSERT NUT.	4	11	L63407	HOSE, -6 A8/A8 48"	1
06	L446026	ADAP -8JICFS -8JICM RUN TEE.	2	12	L445002	ADAP -8ORM -8JICM 90 DEG	4
07		ADAPTER, HYDRAULIC	2				
	L444008	See note a (-10ORM -8JICM STR)		a		552: S/N 1057 and Up	
	L444003	See note b (-12ORM -8JICM STR)				553: S/N 4519 and Up	
08		HOSE	1				
	L68807	See note a (-6 A8/DS8 54")		b		552: Thru S/N 1056	
	L63398	See note b (-6 A8/DS8 64")				553: Thru S/N 4518	

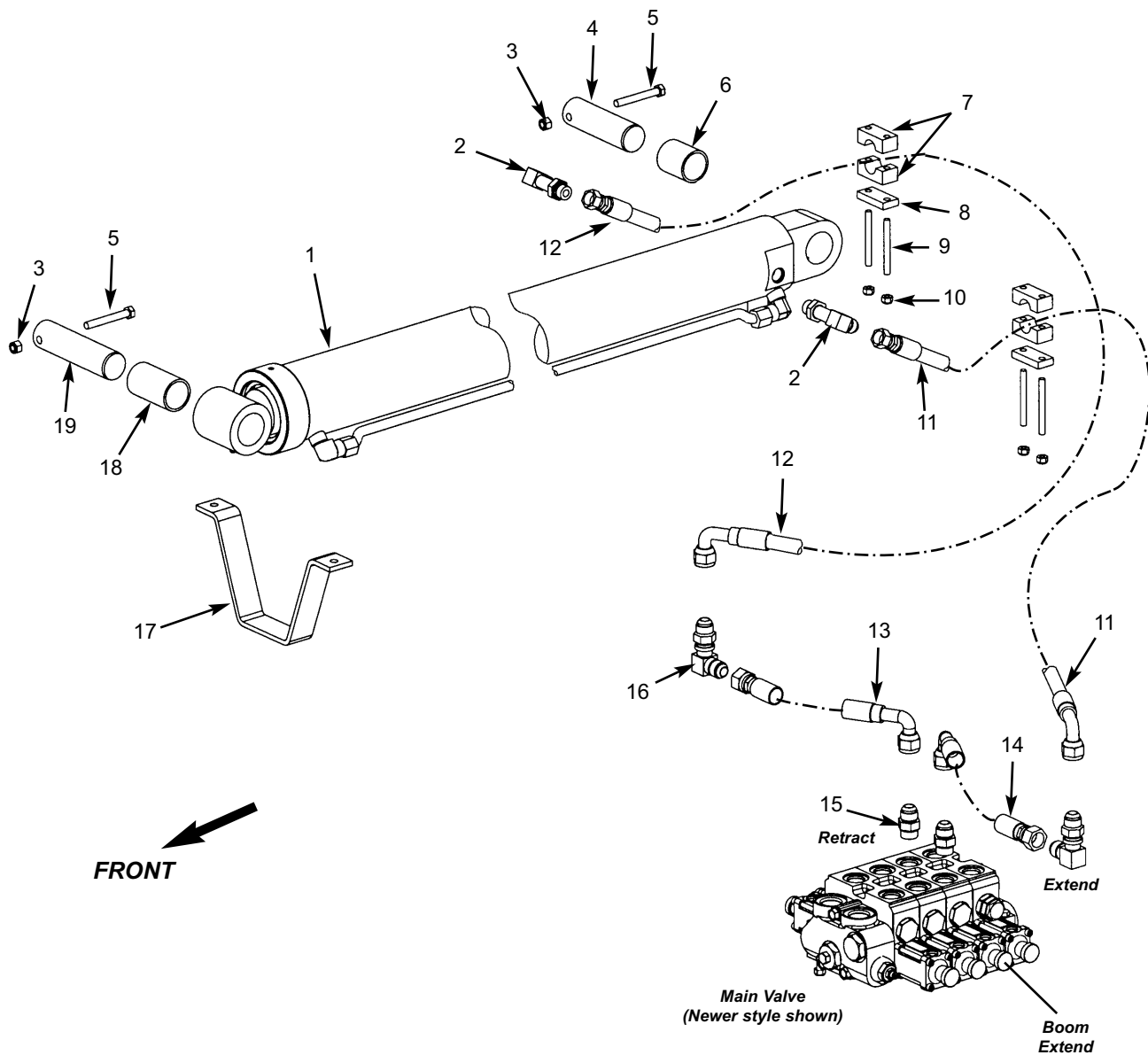
Tilt / Slave Cylinder Group



Tilt / Slave Cylinder Group

Ref. No.	Part No.	Description	Qty. Req.	Ref. No.	Part No.	Description	Qty. Req.
01	L68351	TUBE, TILT/AUX <i>See note a</i>	2	22	L520004	5/16"-18 NYLON INSERT NUT	8
	L63145	<i>See note b</i>		23	L50877	5/16"-18X2-1/4" STUD	8
02	L68239	HOSE <i>See note a (-8 H10/DS10 54")</i>	1	24	L63715	PLATE, TWIN CUSHION	8
	L63389	<i>See note b (-6 H8/A8 58")</i>		25	L68039	5/8" DOUBLE TUBE CUSHION	16
03	L68239	HOSE <i>See note a (-8 H10/DS10 54")</i>	1	26	L444004	ADAPTER, HYDRAULIC	1
	L63389	<i>See note b (-6 H8/A8 58")</i>			L445002	<i>See note a (-8ORM -8JICM STR)</i>	
04 ^{ag}	L443011	ADAP, -10JICM BLKHEAD 90DEG.	2			<i>See note b (-8ORM -8JICM 90 DEG)</i>	
05 ^{cg}	L68815	HOSE, -8 A10/DS8 17"	1	--- ITEMS NOT SHOWN ---			
06 ^{cg}	L68816	HOSE, -8 A10/DS8 14"	1	L50207	VINYL CLAMP		2
07 ^g	L446026	ADAP, -8JICFS -8JICM RUN TEE .	2	L50228	5/16"-18X1/2" BOLT		2
08	L444008	ADAPTER, HYDRAULIC	2	L520004	5/16"-18 NYLON INSERT NUT		2
	L444003	<i>See note c -10ORM -8JICM</i>					
	L444003	<i>See note d -12ORM -8JICM</i>		a	552: S/N 1015 and Up 553: S/N 3340 and Up		
09 ^{cg}	L68817	HOSE, -6 A8/A8 26"	1	b	552: Thru S/N 1014 553: Thru S/N 3339		
10 ^{cg}	L63407	HOSE -6 A8/A8 48"	1	c	552: S/N 1057 and Up 553: S/N 4519 and Up		
11	L445002	ADAP, -8ORM -8JICM 90 DEG.	3	d	552: Thru S/N 1056 553: Thru S/N 4518		
12	L520005	3/8"-16 NYLON INSERT NUT.	4	e	552: S/N 1015 Thru S/N 1056 553: S/N 3340 Thru S/N 4518		
13	L50273	3/8"-16X2-3/4" BOLT	4	f	Protective Sleeve Part Number is L99135.		
14	L63272	PIN, CYLINDER (ROD END)	2	g	Refer to page 110 "Main Valve Group" for more hoses, fittings and location of parts used on older models.		
15	L63018	BUSHING (ROD END)	2				
16	L63014	CYLINDER, SLAVE	1				
17	L68003	BUSHING (BASE END)	2				
18	L63273	PIN, CYLINDER (BUTT END)	2				
19	L63013	CYLINDER, TILT	1				
20	L68374	HOSE	1				
	L68374	<i>Note a & f (-6X 322") Used on 553</i>					
	L68375	<i>Note a (-6X205") Used on 552</i>					
	L63409	<i>Note b & f (-6X318") Used on 553</i>					
	L63405	<i>Note b (-6X203") Used on 552</i>					
21	L68374	HOSE	1				
	L68374	<i>Note a & f (-6X 322") Used on 553</i>					
	L68375	<i>Note a (-6X205") Used on 552</i>					
	L63409	<i>Note b & f (-6X318") Used on 553</i>					
	L63405	<i>Note b (-6X203") Used on 552</i>					

Boom Extend Cylinder Group

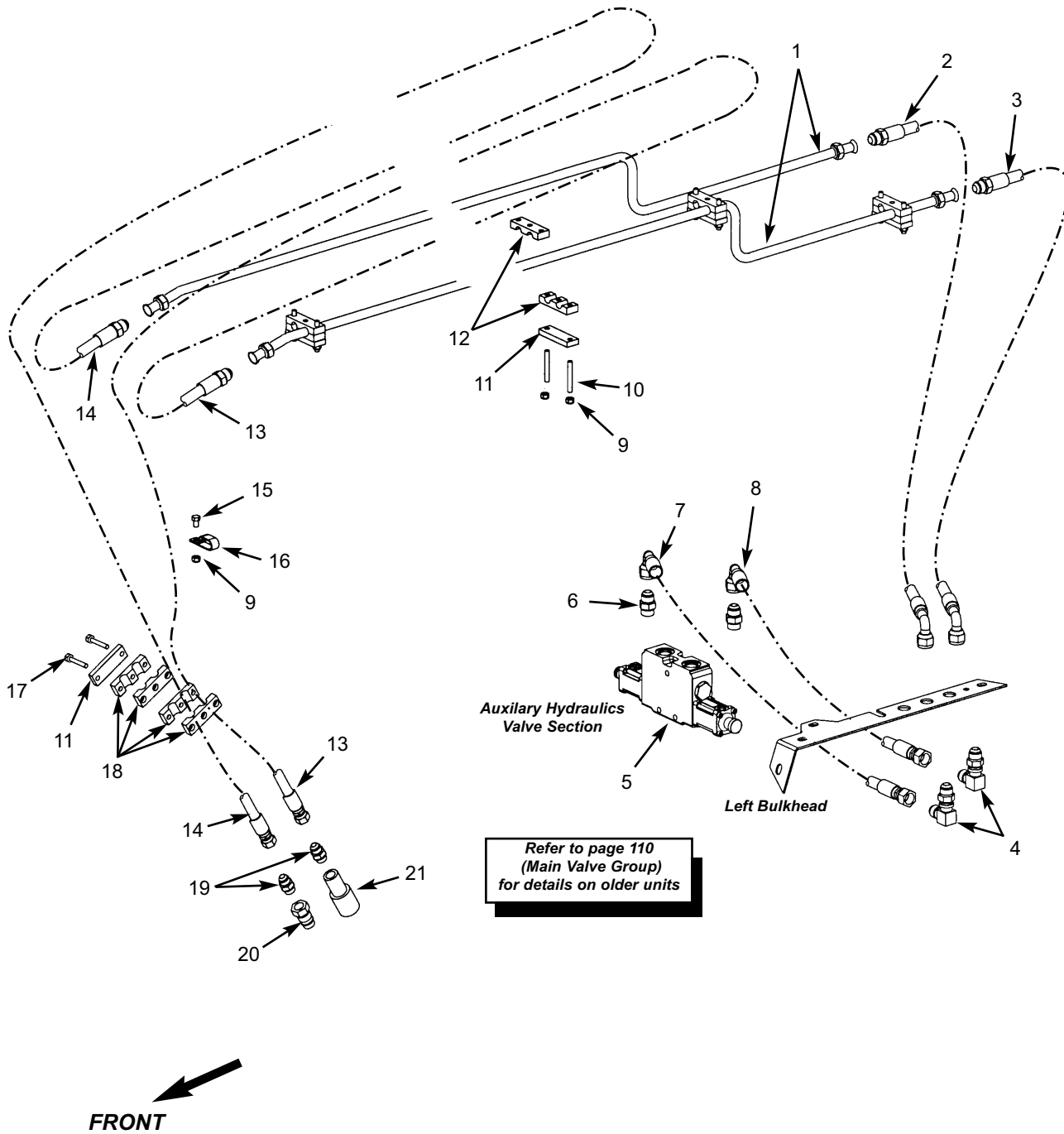


Refer to page 110
(Main Valve Group)
for details on older units

Boom Extend Cylinder Group

Ref. No.	Part No.	Description	Qty. Req.	Ref. No.	Part No.	Description	Qty. Req.
01	L63012	CYLINDER, EXTEND.	1	16 ^{ag}	L443011	ADAP, -10JICM 90 BLKHEAD	2
02		ADAPTER, HYDRAULIC	2	17	L63694	EXTEND CYL. BRACKET	1
	L443022	<i>Note a (-8ORM -8JICM 90 LONG)</i>			L50367	3/8"-16X1" BOLT	2
	L445002	<i>Note b (-8ORM -8JICM 90)</i>			L50147	3/8" LOCK WASHER	2
03	L520005	3/8"-16 NYLON INSERT NUT.	2	18	L63018	BUSHING (ROD END).	1
04	L63273	PIN, CYLINDER (BUTT END)	1	19	L63272	PIN, CYLINDER (ROD END)	1
05	L50273	3/8"-16X2-3/4" BOLT	2				
06	L68003	BUSHING (BUTT END)	1	a		552: S/N 1015 and Up 553: S/N 3340 and Up	
07	L68348	7/8" HOSE CUSHION, SINGLE . . .	4				
08	L68356	CUSHION TOP PLATE.	2	b		552: Thru S/N 1014 553: Thru S/N 3339	
09	L50878	5/-16"-18X3" STUD	4				
10	L520004	5/16"-18 NYLON INSERT NUT. . . .	4	c		552: S/N 1057 and Up 553: S/N 4519 and Up	
11		HOSE	1				
	L68352	<i>Note a (-8 A8/DS10 73")</i>		d		552: Thru S/N 1056 553: Thru S/N 4518	
	L63391	<i>Note b & g (-8 A8/DM8 92")</i>					
12		HOSE	1				
	L68352	<i>Note a (-8 A8/DS10 73")</i>		e		552: S/N 1015 Thru S/N 1056 553: S/N 3340 Thru S/N 4518	
	L63391	<i>Note b & g (-8 A8/DM8 92")</i>					
13		HOSE/TUBE	1				
	L68814	<i>Note a (-8 A10/DS10 15")</i>		f		Refer to page 110 "Main Valve Group" for more hoses, fittings and location of parts used on older models.	
	L68363	<i>Note e (Tube)</i>					
	N/A	<i>Note b & f</i>		g		Item #16 is not used with units listed in note b.	
14		HOSE/TUBE	1				
	L68814	<i>Note a (-8 A10/DS10 15")</i>					
	L68364	<i>Note e (Tube)</i>					
	N/A	<i>Note b & f</i>					
15		ADAPTER, HYDRAULIC	2				
	L444010	<i>Note c (-10ORM -10JICM)</i>					
	P47135	<i>Note e (-12ORM -10JICM STR)</i>					
	L445006	<i>Note b (-12ORM -8JICM 90 DEG)</i>					

Auxiliary Hydraulics Group

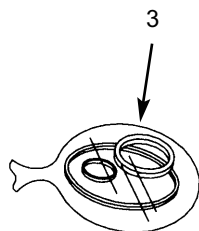
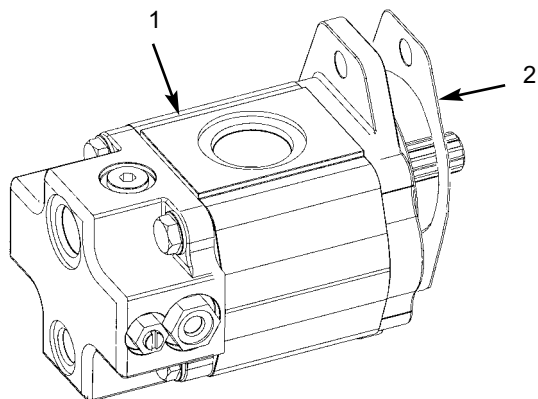


Auxiliary Hydraulics Group

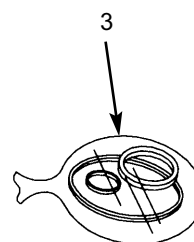
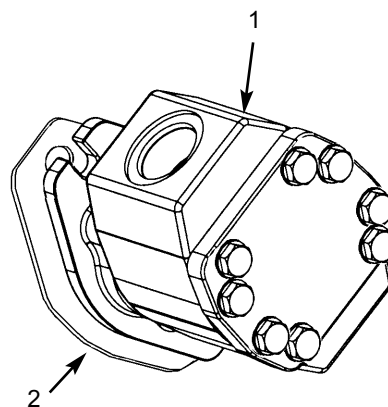
Ref. No.	Part No.	Description	Qty. Req.	Ref. No.	Part No.	Description	Qty. Req.
01	L68351	TUBE, TILT/AUX	2	15	L50228	3/8"-16X1/2" BOLT	2
	L63145	<i>See note a</i>		16	L50207	VINYL CLAMP	2
02	L68239	<i>See note b</i>		17	L50545	5/16"-18X2-3/4" BOLT	2
	L63389	HOSE	1		L50143	5/16" LOCK WASHER	2
03	L68239	<i>See note a (-8 H10/DS10 54")</i>		18	L63716	11/16" DOUBLE TUBE CUSHION	4
	L63389	<i>See note b (-6 H8/A8 58")</i>		19	L444004	ADAP, -8ORM -8JICM STR	2
	L68239	HOSE	1	20 ⁱ	NSS	COUPLER, MALE	1
	L63389	<i>See note a (-8 H10/DS10 54")</i>		21 ⁱ	NSS	COUPLER, FEMALE	1
04 ^{ag}	L443011	<i>See note b (-6 H8/A8 58")</i>					
05 ^{cg}	L68778	ADAP, -10JICM BLKHEAD 90DEG.	2	a	552: S/N 1015 and Up		
06 ^{cg}	L444008	KIT, VALVE SECTION	1		553: S/N 3340 and Up		
07	L68815	ADAP, -10ORM -8JICM	2	b	552: Thru S/N 1014		
	L68239	HOSE	1		553: Thru S/N 3339		
	L63599	<i>See note c (-8 A10/DS8 17")</i>		c	552: S/N 1057 and Up		
08	L68816	<i>See note e (-8 H10/DS10 54")</i>			553: S/N 4519 and Up		
	L68239	<i>See note b (-6 H8/A8 72")</i>		d	552: Thru S/N 1056		
	L63599	5/16"-18 NYLON INSERT NUT	10		553: Thru S/N 4518		
09	L520004	5/16"-18X2-1/4" STUD	8	e	552: S/N 1015 Thru S/N 1056		
10	L50877	PLATE, TWIN CUSHION	8		553: S/N 3340 Thru S/N 4518		
11	L63715	5/8" DOUBLE TUBE CUSHION	16	f	Protective Sleeve Part Number is L99135.		
12	L68039	HOSE	1	g	Refer to page 110 "Main Valve Group" for more hoses, fittings, components and location of parts used on older models.		
13	L68376	<i>See note a & f (-6x252")Used on 553</i>					
	L68377	<i>See note a (-6x237") Used on 552</i>		h	Kit includes a single V20 valve section and tie bolt kit for five section valve.		
	L63601	<i>See note b & f (-6x342")Used on 553</i>					
	L63600	<i>See Note b (-6x227") Used on 552</i>		i	Sold as a set, order part #L65273		
14	L68376	HOSE	1				
	L68377	<i>See note a & f (-6x252")Used on 553</i>					
	L68377	<i>See note a (-6x237") Used on 552</i>					
	L63601	<i>See note b & f (-6x342")Used on 553</i>					
	L63600	<i>See Note b (-6x227") Used on 552</i>					

Hydraulic Pump Breakdown

552: S/N 1057 and Up
553: S/N 4519 and Up



552: Thru S/N 1056
553: Thru S/N 4518



Ref. No.	Part No.	Description	Qty. Req.
01	L68714	HYDRAULIC PUMP	1
02	L46865	GASKET	1
03	L500368	SEAL KIT	1

(Items included are not shown)

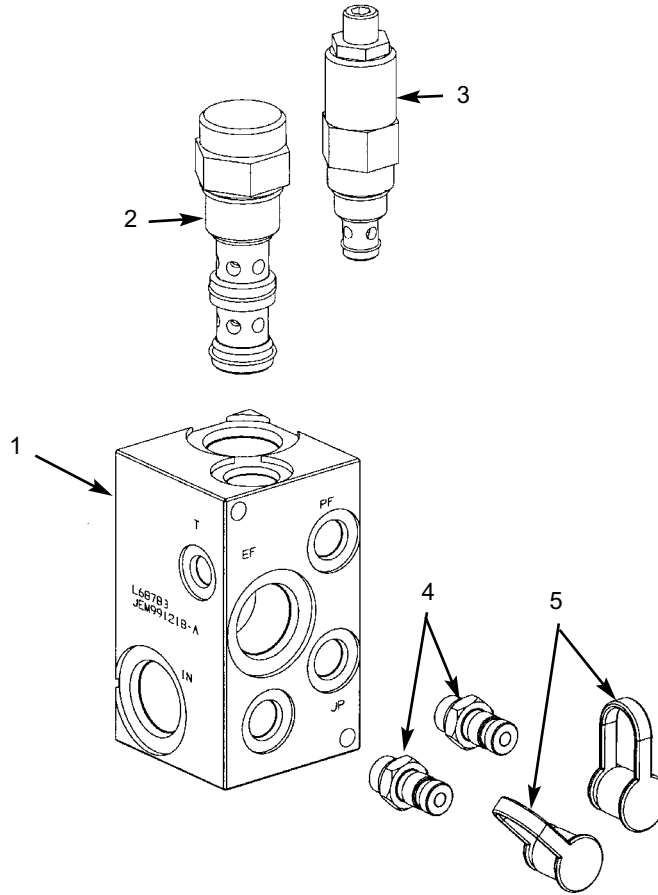
Ref. No.	Part No.	Description	Qty. Req.
01	L63308	HYDRAULIC PUMP	1
02	L46865	GASKET	1
03		SEAL KIT	1
	L99009	See note a	
	L97665	See note b	

(Items included are not shown)

a 552: S/N 1009 Thru S/N 1056
 553: S/N 3099 Thru S/N 4518

b 552: Thru S/N 1008
 553: Thru S/N 3099

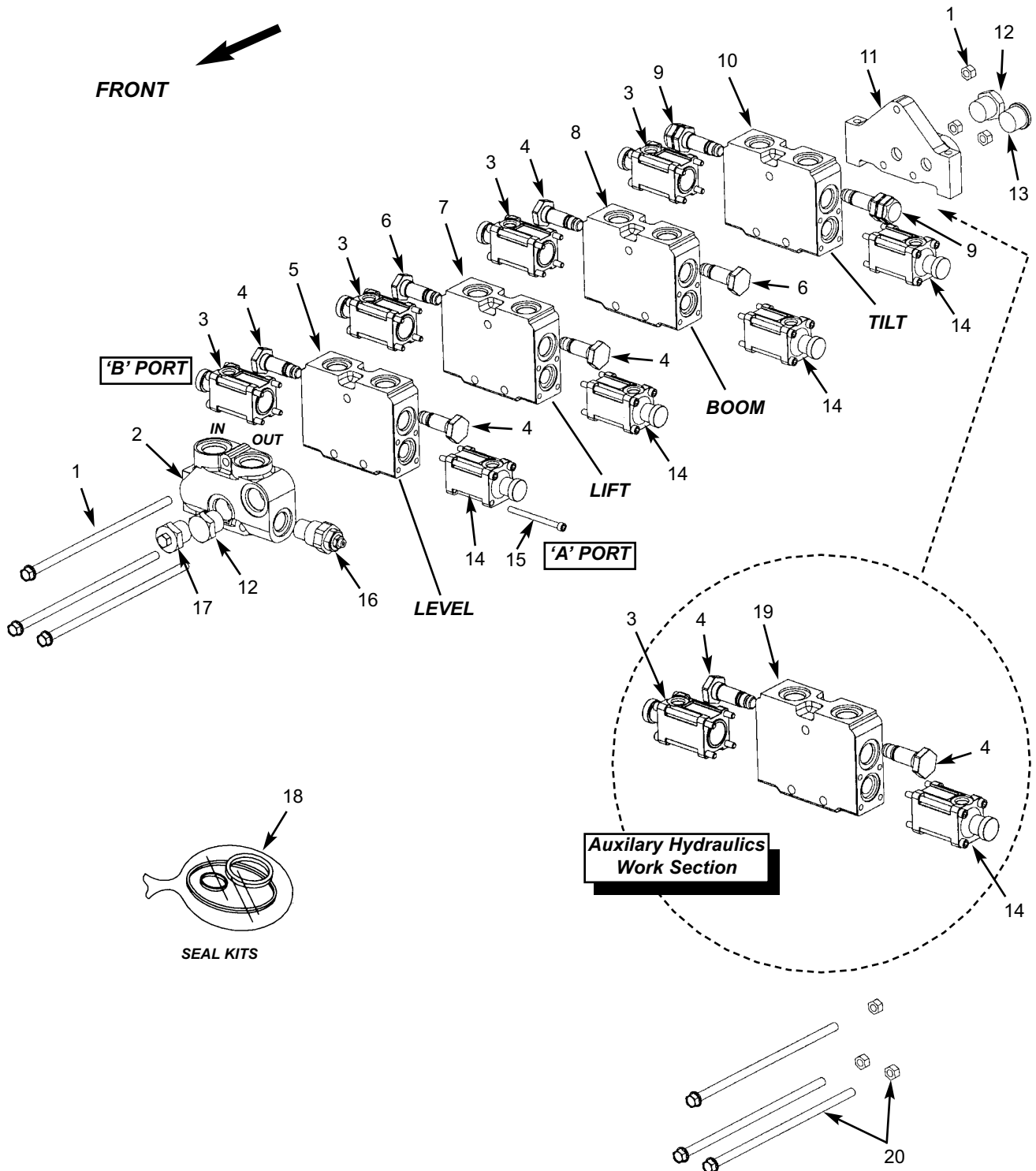
Flow Divider Breakdown
 (552: S/N 1057 and Up; 553: S/N 4519 and Up)



Ref. No.	Part No.	Description	Qty. Req.	Ref. No.	Part No.	Description	Qty. Req.
01	L68783	FLOW DIVIDER	1	03	L99927	RELIEF VALVE (350 PSI)	1
		(Includes all items shown)			L99925	SEAL KIT	1
02	L99928	PRESSURE REGULATOR	1	04	P471997	TEST PORT	2
	L99929	SEAL KIT	1	05	L62840	CAP, DUST COVER	2

Main Valve Breakdown

(552: S/N 1057 and Up; 553: S/N 4519 and Up)

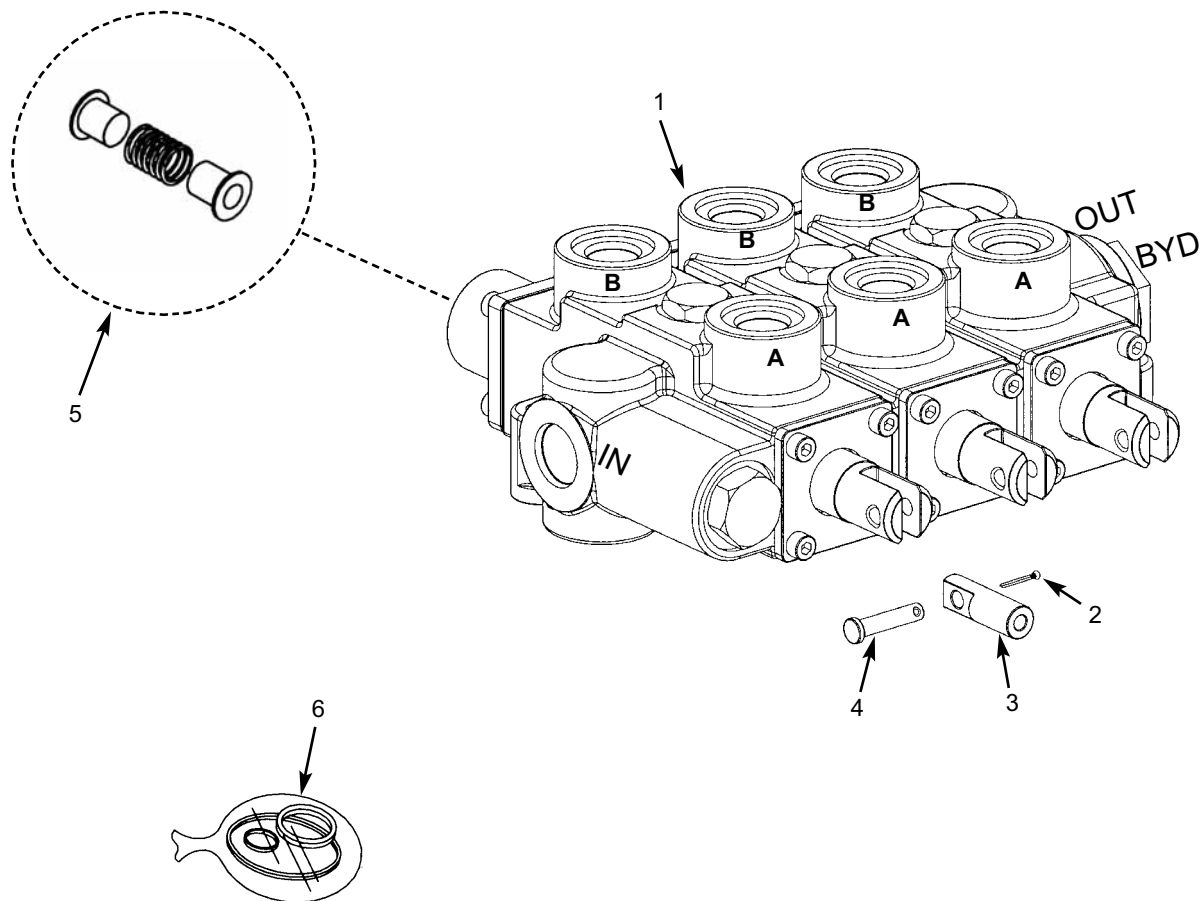


Main Valve Breakdown

(552: S/N 1057 and Up; 553: S/N 4519 and Up)

Ref. No.	Part No.	Description	Qty. Req.	Ref. No.	Part No.	Description	Qty. Req.
00	L68694	MAIN VALVE [V20] (Complete)	1	11	L500955	OUTLET COVER	1
01	L98891	STUD KIT (tie bolts and nuts)	1	12	L500957	PLUG SAE-12	
02	L500954	INLET COVER	1	13	L500959	PLUG SAE 12 (SOCKET HEAD) . .	1
03	L500134	HRO ACUATOR "B" END	4	14	L500135	HRO ACUATOR "A" END	4
04	L500132	NO RELIEF-NO ANTI-CAV.PLUG . .	4	15	L500961	SCREW	32
	L500130	SEAL KIT	1		654022	LOCK WASHER	32
05	L98895	WORK SECTION 1 (Level)	1	16	L500129	RELIEF CARTRIDGE (RP51-A) . . .	1
		(includes items 3, 4, 14 & 15)			L96580	RELIEF SEAL KIT	1
06	L500952	NO RELIEF - ANTI-CAV PLUG	1	17	L500958	PLUG WITH TEST PLUG	1
07	L500953	WORK SECTION 2 (Lift)	1	18		SEAL KITS FOR WORK SECTIONS	
		(includes items 3, 4, 6, 14 & 15)			L500127	SECTION SEAL KIT	1ea
08	L500956	WORK SECTION 3 (Boom Ext.)	1			(used with items 5-7 & 10)	
		(includes items 3, 4, 6, 14 & 15)			L98887	SPOOL SEAL KIT	1ea
09	L98896	RELIEF CARTRIDGE	2	19	L98895	WORK SECTION (Aux. Hyd.)	1
	L98897	SERVICE KIT (less seals)	2	20	L500960	STUD ASSEMBLY KIT (Aux. Hyd.) .	1
	L98898	SEAL KIT	2			(used with item 20)	
10	L98899	WORK SECTION 4 (Tilt)	1				
		(includes items 3, 9, 14 & 15)					

Main Valve Breakdown (552: Thru S/N 1056; 553: Thru S/N 4518)

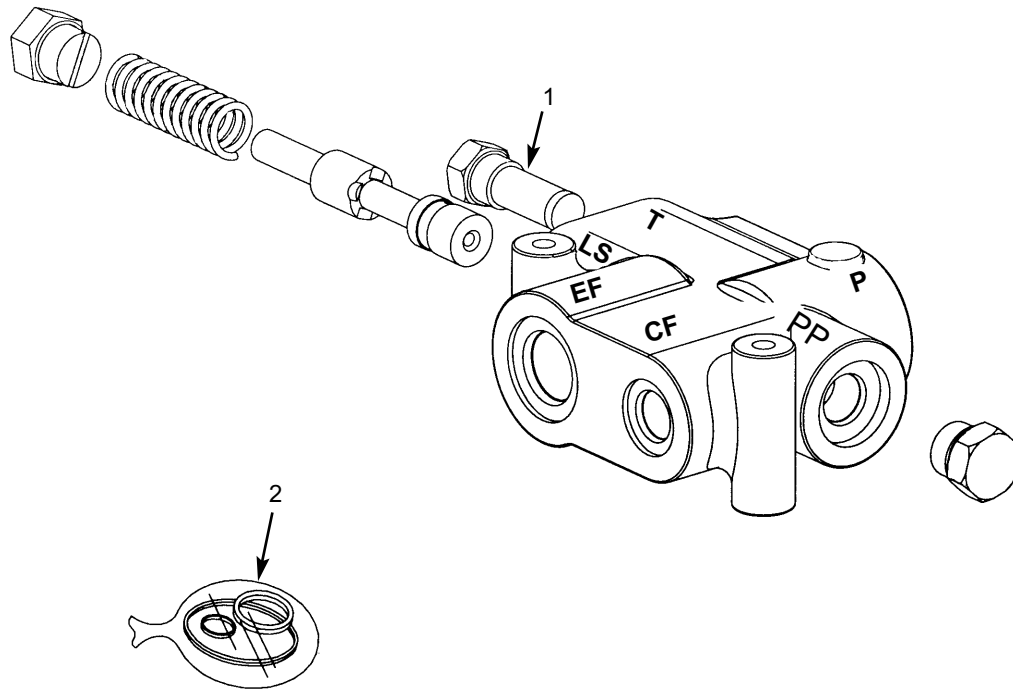


Ref. No.	Part No.	Description	Qty. Req.	Ref. No.	Part No.	Description	Qty. Req.
01	L63125	MAIN VALVE (Complete)	1	05 ^a	L98500	SPRING CENTER KIT	1
		(excludes items 2-4)				(Includes an inner cup, a spring and an outer cup.)	
02	L50612	1/16" COTTER PIN	3	06	L98502	SEAL KIT	1
03	L63476	CABLE ADAPTER	3			(Items not shown)	
	L50055	1/4"-28 NUT	3				
04	L65842	1/4"-1-1/8" CLEVIS PIN	3				

a Requires one kit per section.

Priority Valve/Flow Divider Breakdown

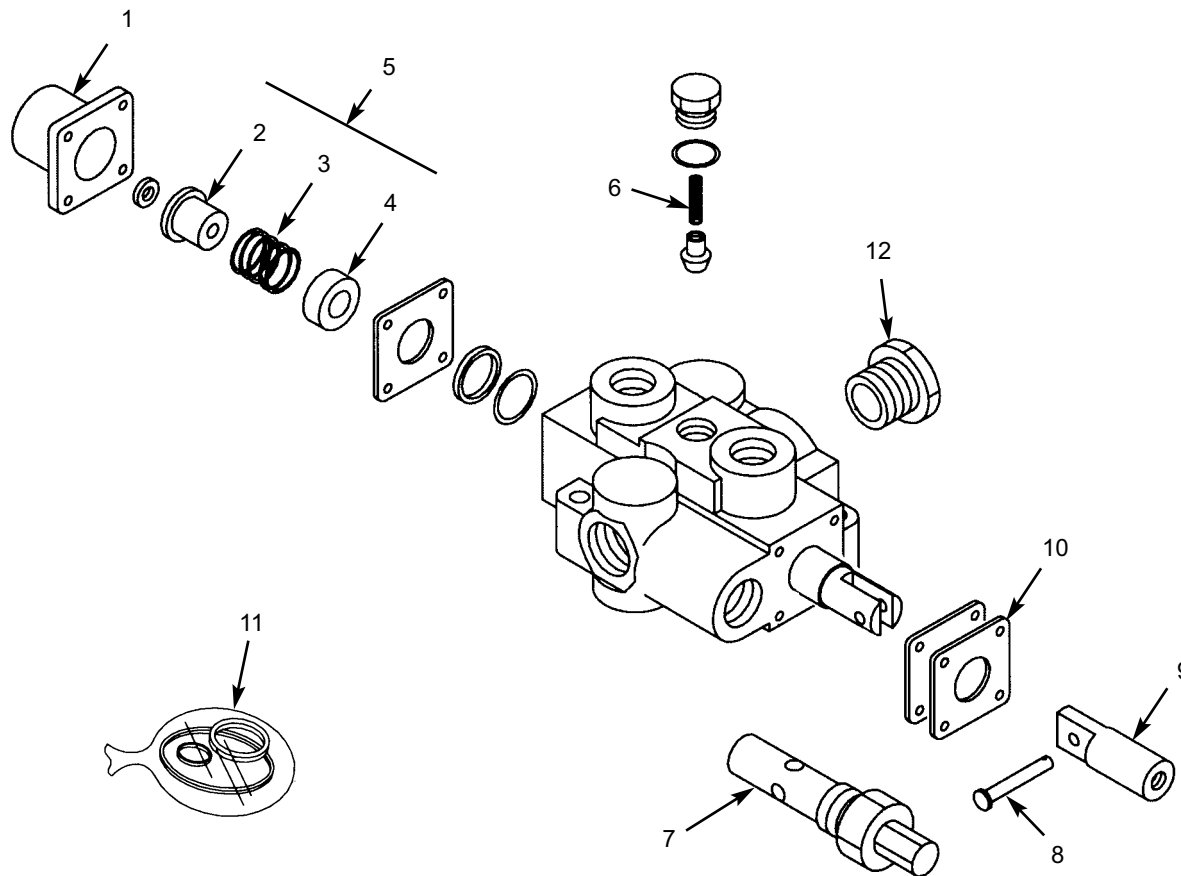
(552: Thru S/N 1056; 553: Thru S/N 4518)



Ref. No.	Part No.	Description	Qty. Req.	Ref. No.	Part No.	Description	Qty. Req.
00	L64179	PRIORITY VALVE (Complete)	1	02	L97658	SEAL KIT	1
01	L97654	RELIEF CARTRIDGE ASY	1			(Items not shown)	

Frame Level Valve Breakdown

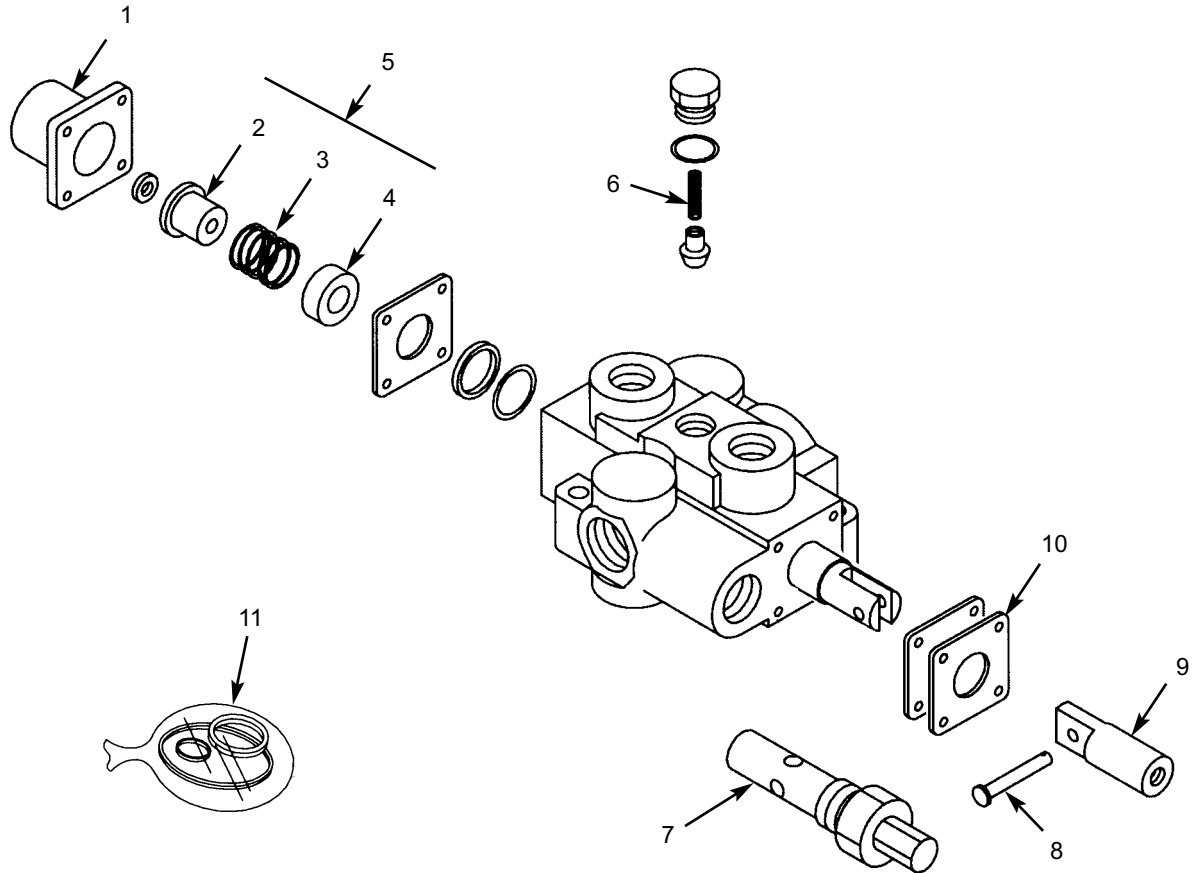
(552: Thru S/N 1056; 553: Thru S/N 4518)



Ref. No.	Part No.	Description	Qty. Req.	Ref. No.	Part No.	Description	Qty. Req.
00	L68313	FRAME LEVEL VALVE W/RELIEF	1	07	L62320	RELIEF CARTRIDGE	1
01	L99194	END CAP	1	08	L65842	CLEVIS PIN	1
02	L99200	OUTER STOP CUP	1		L50612	1/16" COTTER PIN	1
03	L99201	SPRING	1	09	L63476	CABLE ADAPTER	1
04	L99202	INNER STOP CUP	1	10	L97959	CLEVIS BRACKET	1
05	L98500	SPRING CENTER KIT	1	11	L97299	SEAL KIT	1
06	L98473	LOAD CHECK SPRING	1			(Includes seals for load check, spool and relief cartridge)	
				12	L99186	POWER BEYOND SLEEVE	1

Auxiliary Hydraulic Valve Breakdown

(552: Thru S/N 1056; 553: Thru S/N 4518)

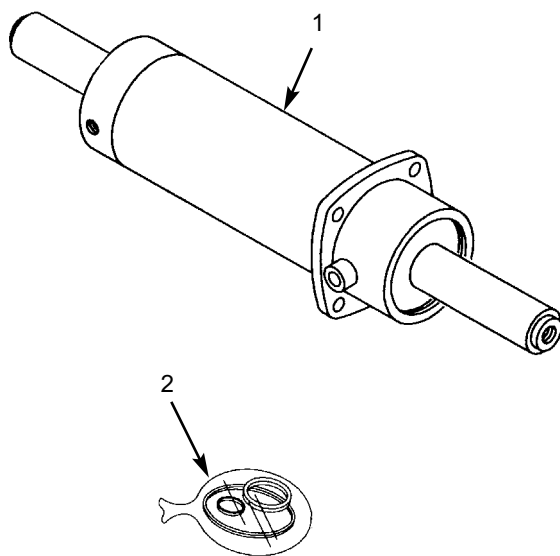
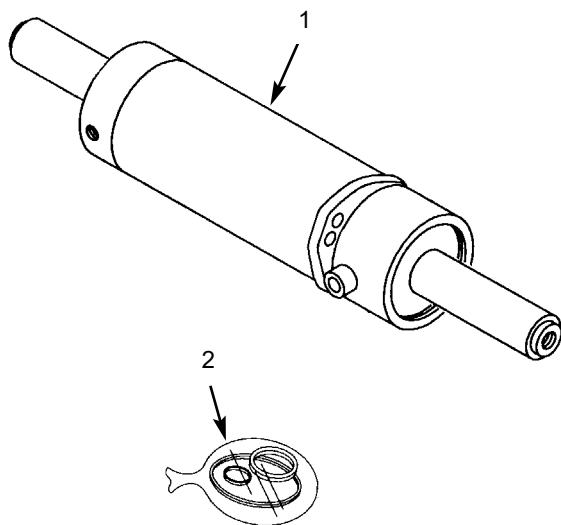


Ref. No.	Part No.	Description	Qty. Req.	Ref. No.	Part No.	Description	Qty. Req.
00	L64411	AUXILIARY HYD. VALVE W/RELIEF	1	07	L62320	RELIEF CARTRIDGE.....	1
01	L99194	END CAP.....	1	08	L65842	CLEVIS PIN.....	1
02	L99200	OUTER STOP CUP.....	1		L50612	1/16" COTTER PIN.....	1
03	L99201	SPRING.....	1	09	L63476	CABLE ADAPTER.....	1
04	L99202	INNER STOP CUP.....	1	10	L97959	CLEVIS BRACKET.....	1
05	L98500	SPRING CENTER KIT.....	1	11	L97299	SEAL KIT.....	1
		(Includes items 2-4)				(Includes seals for load check, spool and relief cartridge)	
06	L98473	LOAD CHECK SPRING.....	1				

Steer Cylinders Breakdown

552: S/N 1075 and Up
553: S/N 4832 and Up

552: Thru S/N 1074
553: Thru S/N 4831



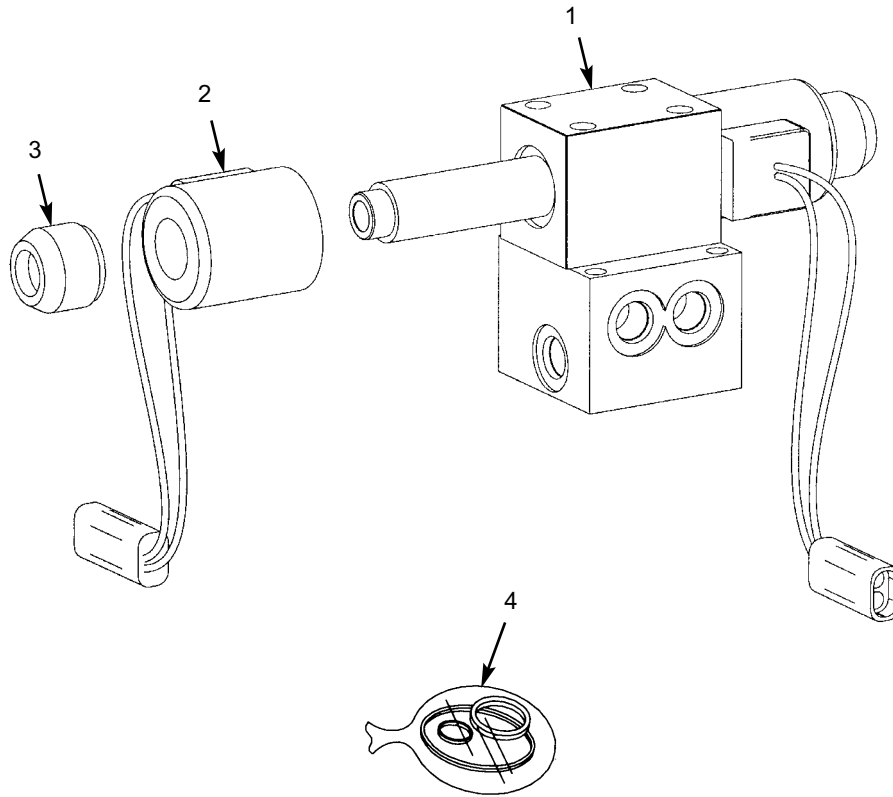
Ref. No.	Part No.	Description	Qty. Req.
01	L500540	STEER CYLINDER	1
	L500539	STEER CYLINDER BOLT	4
02		SEAL KIT	1
	L500943	(Items included are not shown)	

NOTE: Quantities are per axle

Ref. No.	Part No.	Description	Qty. Req.
01	L98444	STEER CYLINDER ASSEMBLY...	1
	L98445	CYLINDER BOLT	5
02	L98565	SEAL KIT	1
		(Items included are not shown)	

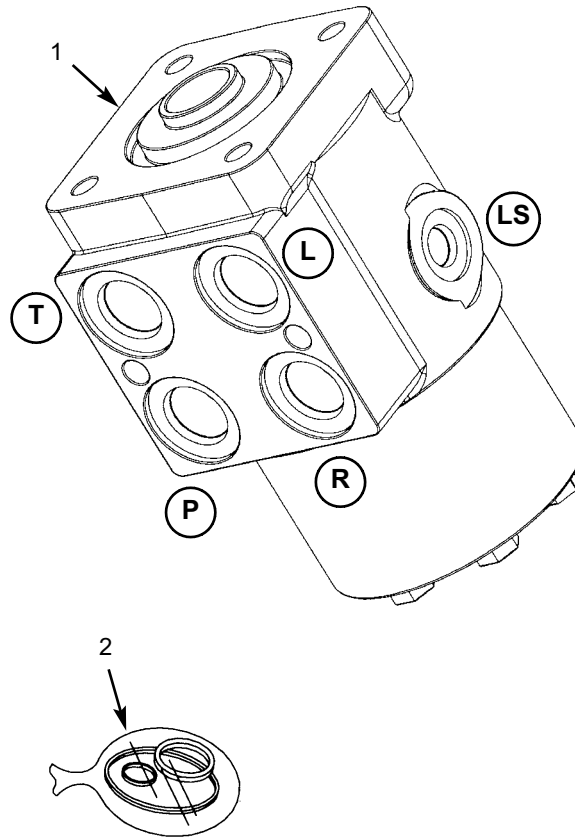
NOTE: Quantities are per axle

Steer Valve Breakdown



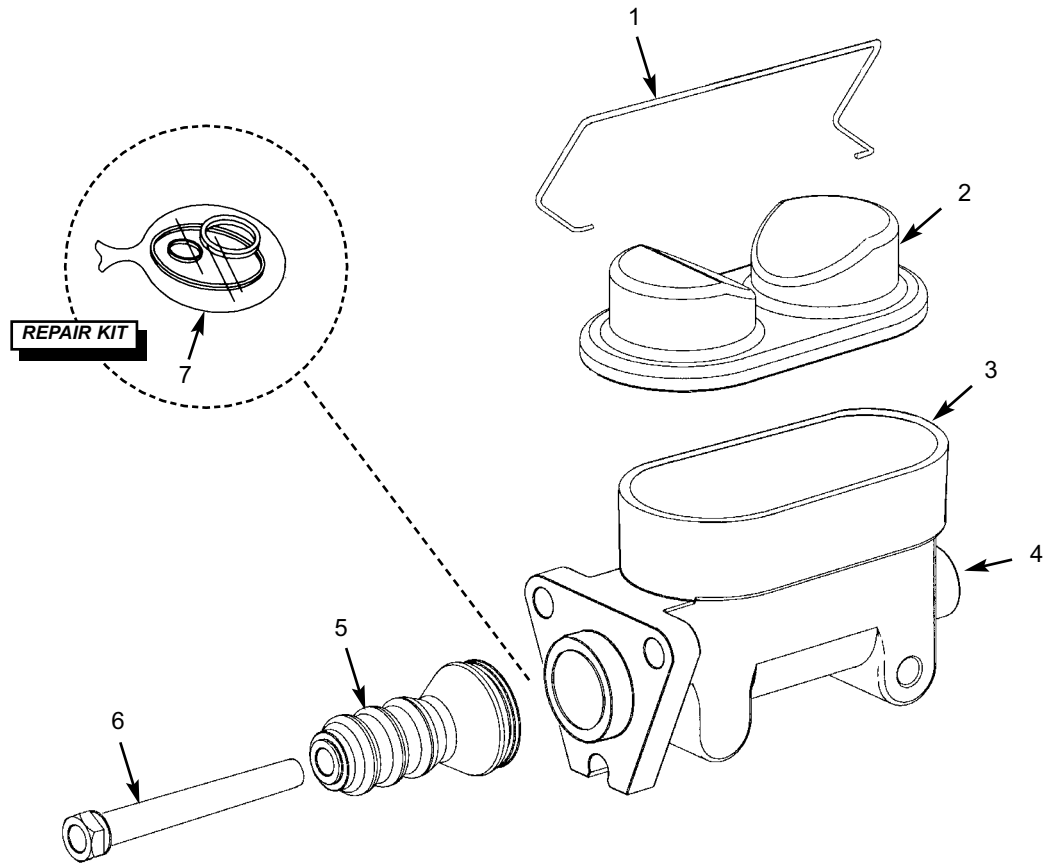
Ref. No.	Part No.	Description	Qty. Req.	Ref. No.	Part No.	Description	Qty. Req.
01	L69747	STEER SELECT VALVE	1			-- ITEMS NOT SHOWN --	
		(Includes all items shown)			L68711	HARNESS, WIRE ADAPTER	1
02 ^a	L500770	COIL 12VDC W/CONNECTOR	2				
03	NSS	NUT	2	a		552: S/N 1051 and Up 553: S/N 4350 and Up	
		(Included with item 1)					
04		SEAL KIT	1	b		Used with valves that have a round coil	
	L99907	See note b		c		Used with valves that have a square coil	
	L63602	See note c					
		(Items included are not shown)					

Steer Motor Breakdown



Ref. No.	Part No.	Description	Qty. Req.	Ref. No.	Part No.	Description	Qty. Req.
01		STEERING CONTROL UNIT	1			NOTE: Field service is limited to seals replacement.	
	L68713	See note a		a		552: S/N 1057 and Up	
	L66753	See note b				553: S/N 4519 and Up	
	L64523	See note c					
02		SEAL KIT	1				
	L500962	See note a		b		552: S/N 1012 Thru S/N 1056	
	L99002	See note b				553: S/N 3178 Thru S/N 4518	
	L97671	See note c		c		552: Thru S/N 1011	
		(Items included are not shown)				553: Thru S/N 3177	

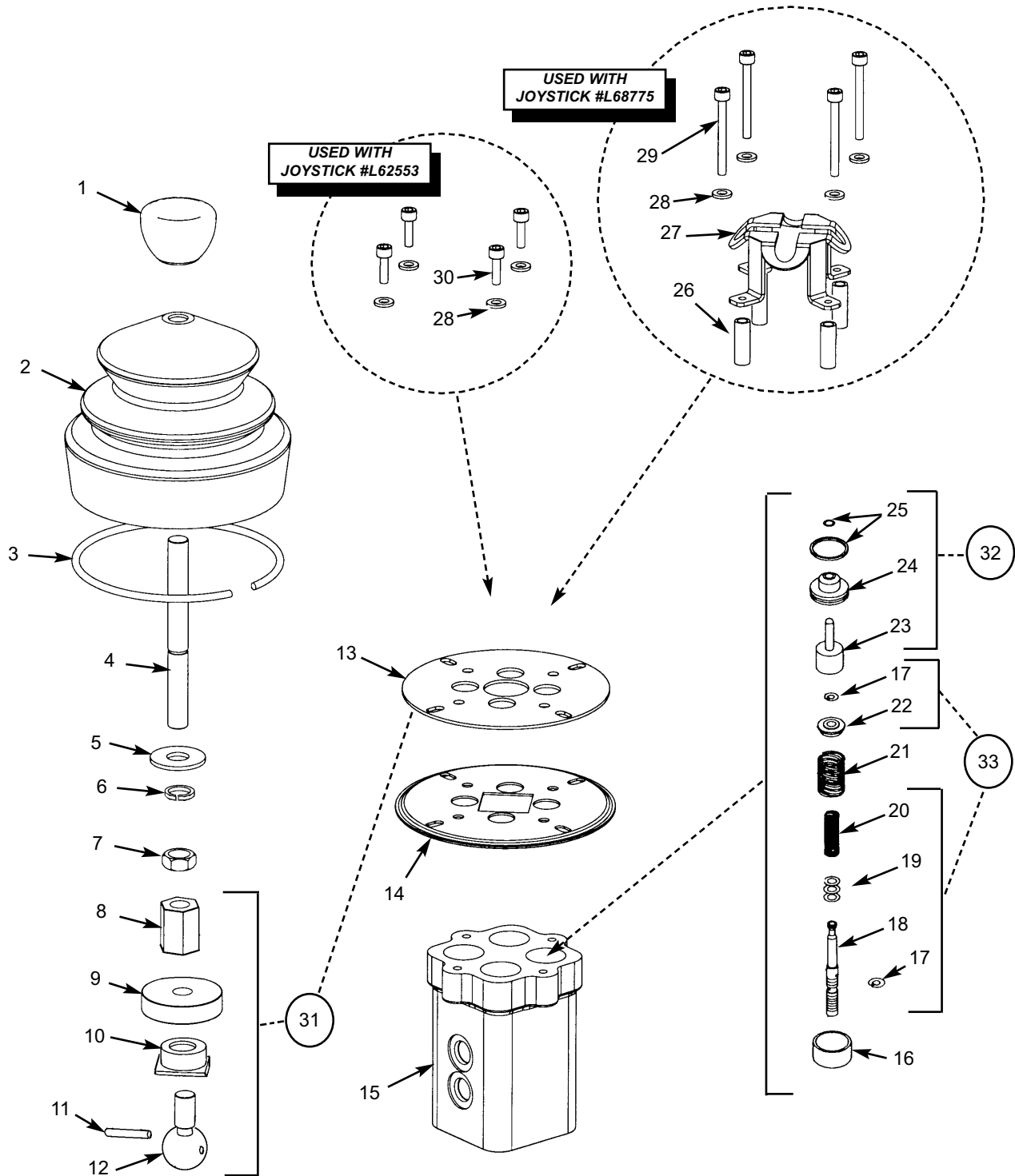
Brake Valve Breakdown



Ref. No.	Part No.	Description	Qty. Req.	Ref. No.	Part No.	Description	Qty. Req.
00	L63363	BRAKE VALVE ASY. (Complete) . . .	2	06	L98535	PUSH ROD	1
01	L98532	BAIL WIRE	1	07 ^a	L98537	REPAIR KIT	1
02	L98533	COVER	1			(Items included are not shown)	
	L98534	DIAPHRAM GASKET	1				
03	NSS	BODY		a		Repair kit includes seals, cups, return spring, second arm piston, and snap ring. Piston is not included or sold seperately.	
04	L98543	TUBE SEAT (not shown)	1				
05	L98536	RUBBER BOOT	1				

Joystick Breakdown

(552: S/N 1057 and Up; 553: S/N 4519 and Up)



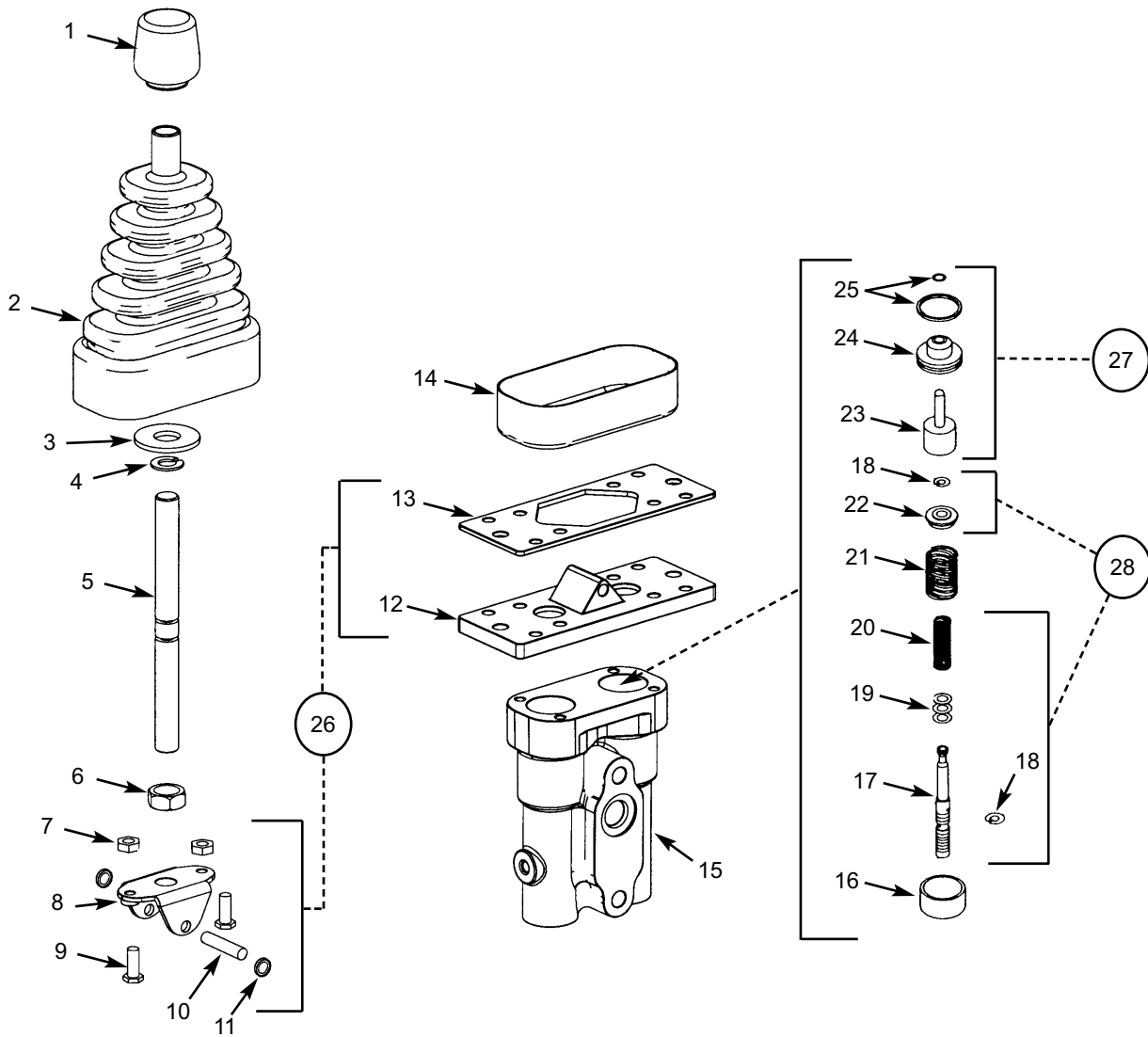
Joystick Breakdown

(552: S/N 1057 and Up; 553: S/N 4519 and Up)

Ref. No.	Part No.	Description	Qty. Req.	Ref. No.	Part No.	Description	Qty. Req.
00 ^a	L68775	JOYSTICK W/GATE (Complete) . . .	1	20	L97584	SPRING 0.341ODX.051WD	4
00 ^b	L62553	JOYSTICK (Complete)	1	21	L96928	SPRING 0.771ODX0.55WD	4
Note: Quantities shown are for one joystick.				22	NSS	SPRING RETAINER.	4
01	L46572	KNOB	1	23	L97579	PLUNGER PIN.	4
02	L96852	BOOT	1	24	L97580	PLUNGER GUIDE	4
03	L96853	RETAINER.	1	25	L97581	SEAL KIT.	4
04	L98044	HANDLE, ROD	1	26	L500945	SPACER, JOYSTICK GATE	4
05	L50151	1/2" FLAT WASHER.	1	27	L500944	GATE, JOYSTICK CONTROLLER . . .	1
06	L96851	RETAINER RING	1	28	L50139	1/4" LOCK WASHER	4
07	L50082	5/8"-11 JAM NUT	1	29	L500947	1/4"-20X3/4" SOCKET HD BOLT . .	4
08	L98042	HANDLE ADAPTER.	1	30	L500946	1/4"-20 SOCKET HD BOLT	4
09	L96993	CAM PLATE.	1	-- KITS--			
10	L500949	PIVOT RACE	1	31	L96997	PIVOT BALL ASSEMBLY	1
11	L500950	PIVOT PIN.	1	(Includes items 8-13)			
12	L500951	PIVOT BALL	1	32	L97631	PLUNGER GUIDE ASSEMBLY . . .	4
13	L96994	MOUNTING PLATE	1	(Includes items 23-25)			
14	L96995	MOUNTING PLATE	1	33	L97582	SPOOL ASSEMBLY	4
15	NSS	BODY	1	(Includes items 17-20 & 22)			
16	L96999	SPACER	4	<i>a This joystick is used for Tilt and Level operations.</i>			
17	L97583	RETAINING RING	8	<i>b This joystick is used for Boom Lift and Extend.</i>			
18	NSS	SPOOL	4	<i>c Used only with joystick #L68775.</i>			
19	L97585	SHIM PAC	A/R				
				(Includes sizes: 0.01, 0.02, 0.06)			

Auxiliary Hydraulic Joystick Breakdown

(552: S/N 1057 and Up; 553: S/N 4519 and Up)

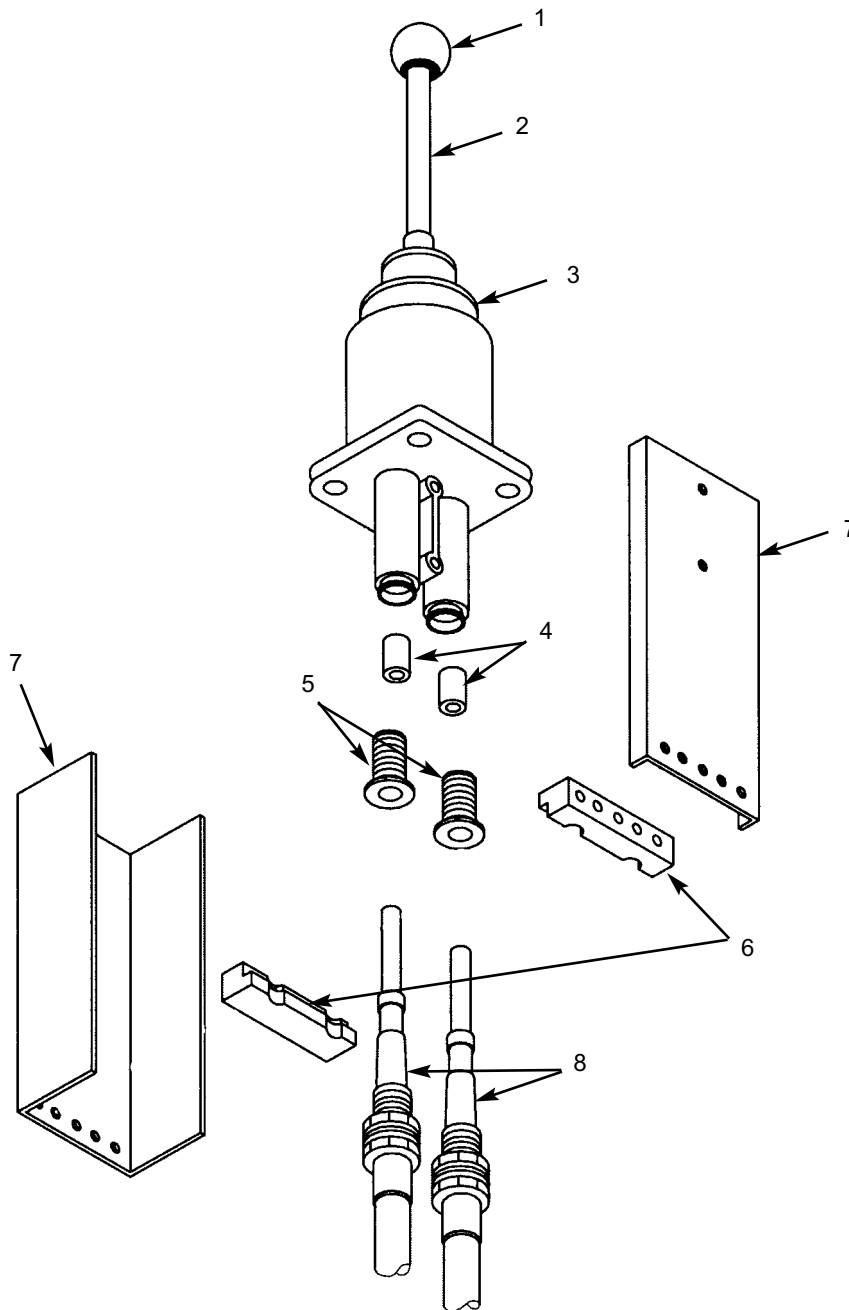


Auxiliary Hydraulic Joystick Breakdown

(552: S/N 1057 and Up; 553: S/N 4519 and Up)

Ref. No.	Part No.	Description	Qty. Req.	Ref. No.	Part No.	Description	Qty. Req.
00	L60302	AUXILARY JOYSTICK <i>(Complete)</i>	1	16	L96999	SPACER	4
01	L97634	KNOB	1	17	NSS	SPOOL	4
02	L97633	BOOT	1	18	L96923	RETAINING RING	4
	L96920	RETAINER	1	19	L97585	SHIM PAC	A/R
03	L50151	1/2" FLAT WASHER	1			(Includes sizes: 0.01, 0.02, 0.06)	
04	L96851	RETAINER RING	1	20	L96924	SPRING 0.341ODX0.051WD	2
05	L96911	HANDLE, ROD	1	21	L96928	SPRING 0.771ODX0.55WD	4
06	L50082	5/8"-11 JAM NUT	1	22	NSS	SPRING RETAINER	4
07	651270	1/4"-20 JAM NUT	2	23	L97579	PLUNGER PIN	4
08	L97041	ROCKER ARM	1	24	L97580	PLUNGER GUIDE	4
09	L96933	BUTTON	2	25	L96929	SEAL KIT	2
10	NSS	PIN	1			-- KITS--	
11	NSS	RETAINING RING	2	26	L96932	ROCKER ARM ASSEMBLY	1
12	L97042	BOTTOM PLATE	1			(Includes items 7-13)	
13	NSS	TOP PLATE	1	27	L97631	PLUNGER GUIDE ASSEMBLY ...	4
14	L500769	BOOT PLATE	1			(Includes items 23-25)	
15	NSS	BODY	1	28	L96931	SPOOL ASSEMBLY	4
						(Includes items 17-20 & 22)	

Joystick Breakdown
(552: Thru S/N 1056; 553: Thru S/N 4518)

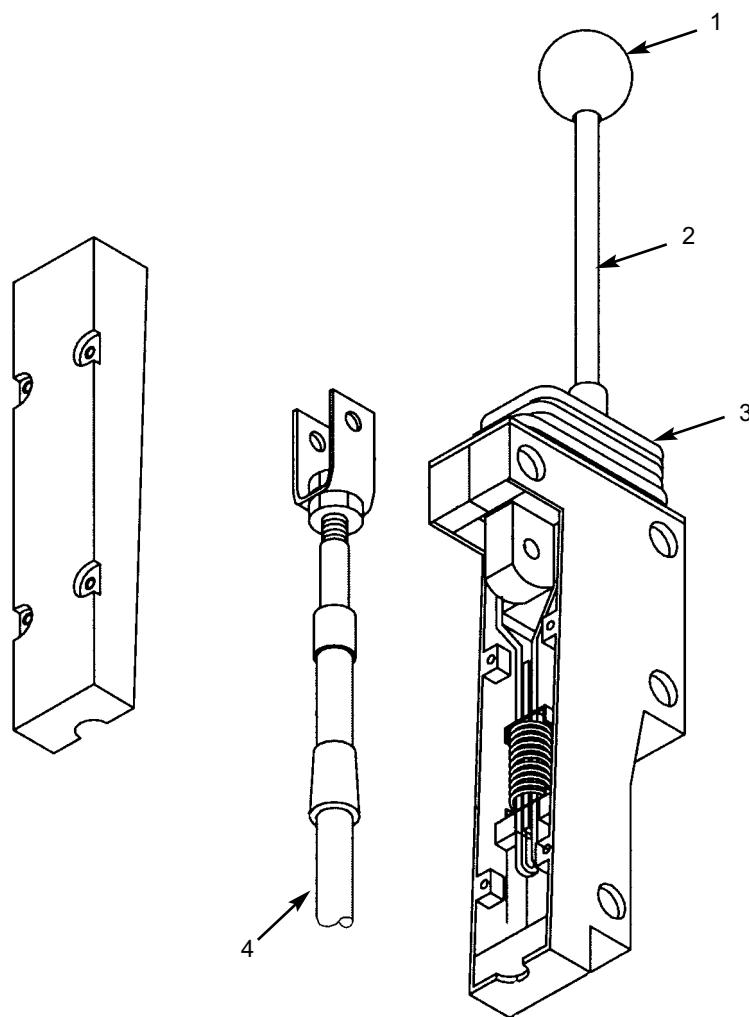


Joystick Breakdown
 (552: Thru S/N 1056; 553: Thru S/N 4518)

Ref. No.	Part No.	Description	Qty. Req.	Ref. No.	Part No.	Description	Qty. Req.
<i>Note: Quantities are shown are for one joystick</i>				02	L98605	HANDLE	1
00	L63126	BOOM CONTROL JOYSTICK . . .	1	03	L98494	BOOT	1
		<i>(Boom lift and boom extend)</i>		04	L98496	BUSHING	2
00	L63345	TILT/FRAME LEVEL JOYSTICK . . .	1	05	L98497	LOCK SCREW	2
		<i>(Carriage Tilt and Frame Level)</i>		06	L98498	CABLE CLAMP	2
01 ^a	L63477	KNOB <i>(Used for L63126)</i>	1	07	NSS	HOUSING COVERS	2
	L98495	KNOB <i>(Used for L63345)</i>	1	08	Note b	CONTROL CABLES	4
				a	<i>Knob must be purchased seperately, it does not come with the joystick.</i>		
				b	<i>Refer to page 114 "Joystick Group" for part numbers of control cables.</i>		

Auxiliary Hydraulic Joystick Breakdown

(552: Thru S/N 1056; 553: Thru S/N 4518)

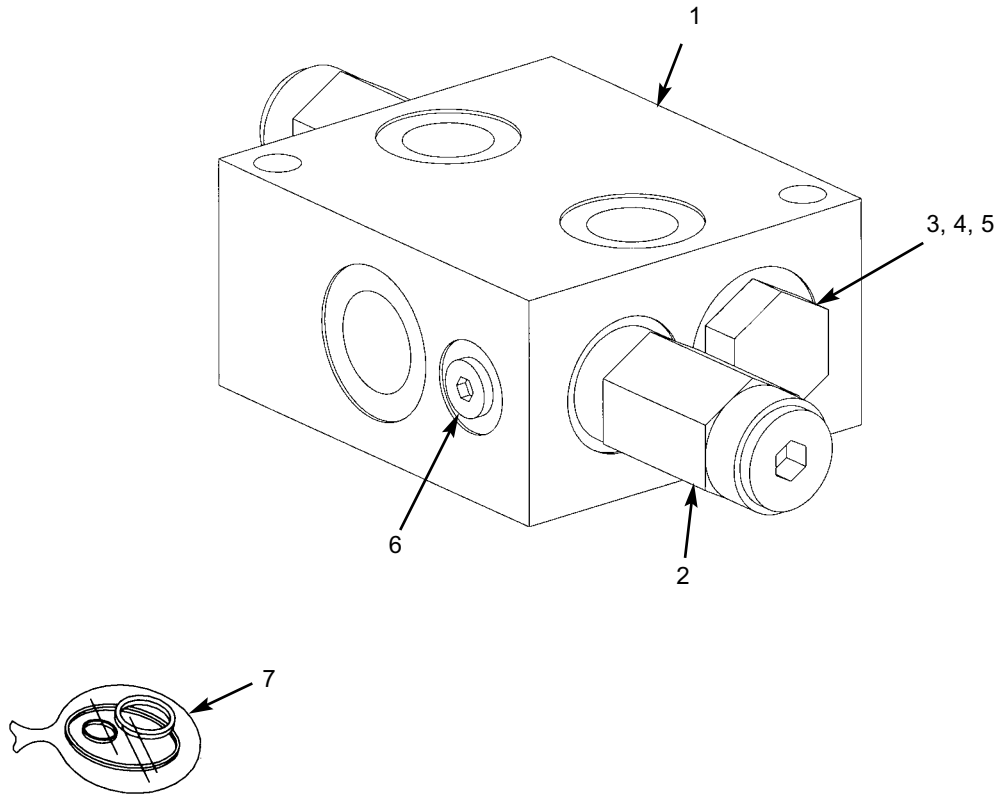


Auxiliary Hydraulic Joystick Breakdown

(552: Thru S/N 1056; 553: Thru S/N 4518)

Ref. No.	Part No.	Description	Qty. Req.	Ref. No.	Part No.	Description	Qty. Req.
00	L63127	AUXILARY FUNCTION JOYSTICK. <i>(Auxiliary Hydraulic Functions)</i>	1	03	L98877	BOOT	1
				04	Note a	CONTROL CABLE.....	1
01	L98495	KNOB	1	a	<i>Refer to page 114 "Joystick Group" for part number of control cable.</i>		
02	L98604	HANDLE	1				

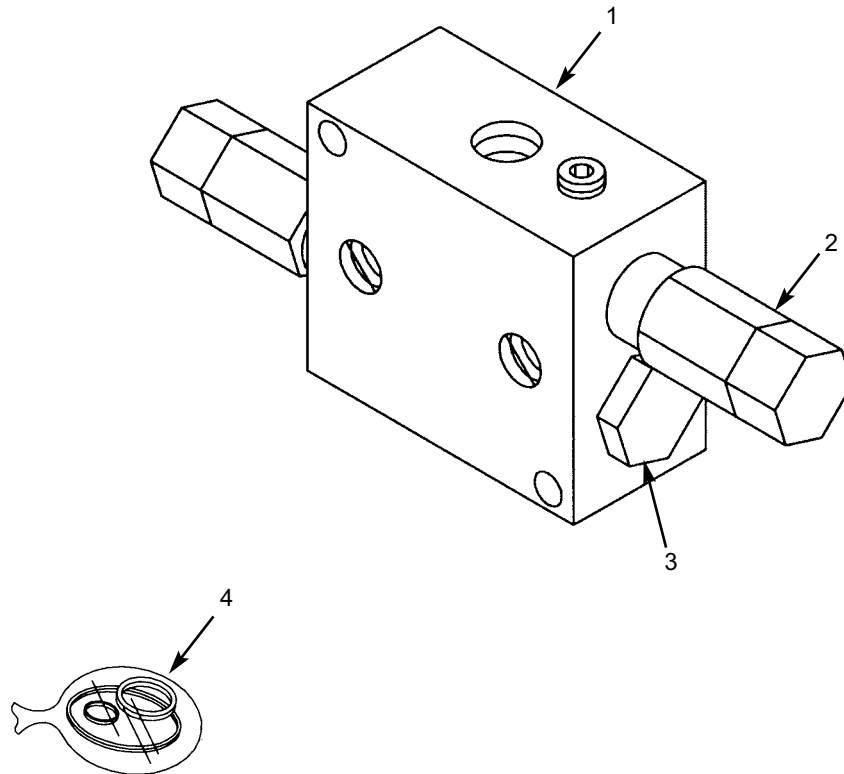
Dual Relief Valve Breakdown
 (552: S/N 1042 and Up; 553: S/N 4207 and Up)



Ref. No.	Part No.	Description	Qty. Req.	Ref. No.	Part No.	Description	Qty. Req.
01	L71066	COMPLETE ASSEMBLY	1	05	L500332	SPRING	2
02	L500329	RELIEF VALVE	2	06	L500333	PLUG	2
03	L500330	HEX PLUG	2	07	L500334	SEAL KIT	1
04	L500331	CHECK POPPET	2				

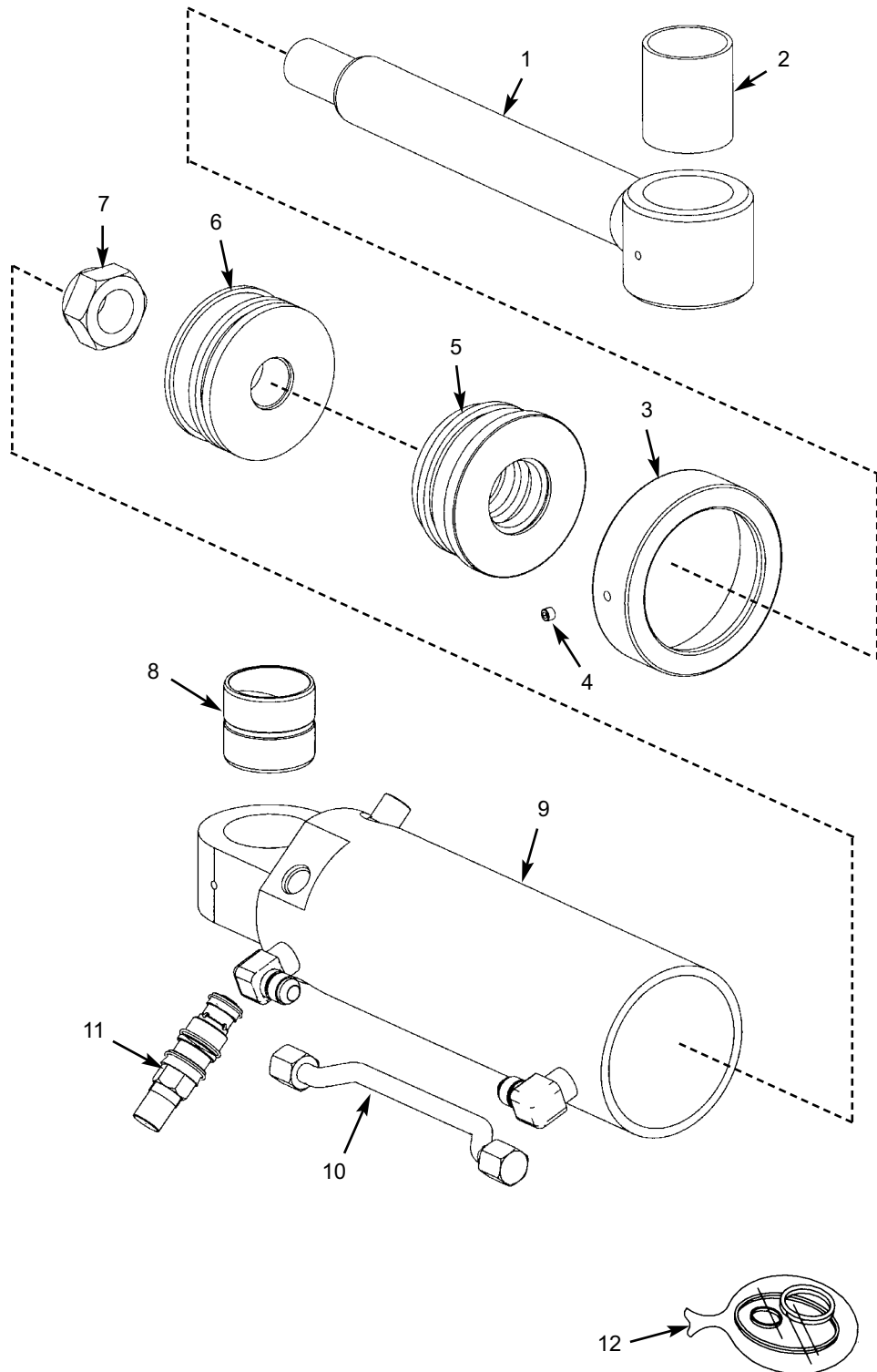
Dual Relief Valve Breakdown

(552: Thru S/N 1041; 553: Thru S/N 4206)



Ref. No.	Part No.	Description	Qty. Req.	Ref. No.	Part No.	Description	Qty. Req.
01	L64658	COMPLETE ASSEMBLY	1	03	L97656	CARTRIDGE	2
02	L97657	CHECK VALVE	2	04	L97658	SEAL KIT.....	1

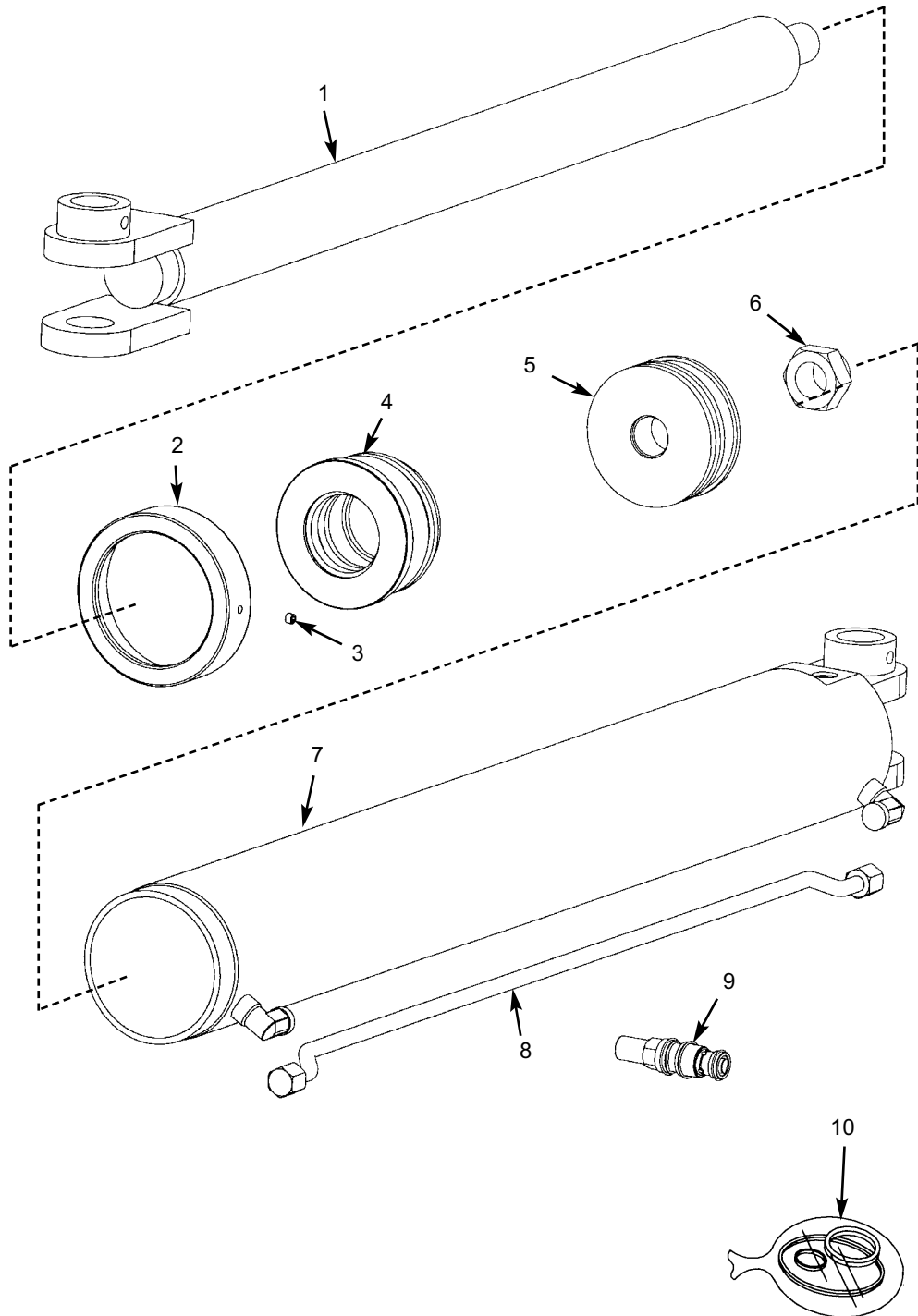
Frame Level Cylinder Breakdown



Frame Level Cylinder Breakdown

Ref. No.	Part No.	Description	Qty. Req.	Ref. No.	Part No.	Description	Qty. Req.
00	L63015	FRAME LEVEL CYL. <i>(Complete)</i> . . .	1	07	L99405	1-1/4"-12 UNF LOCKNUT.	1
				08	L64367	BUSHING 2.0X2.25X2.0"	1
01	L98503	ROD	1	09	NSS	TUBE WELDMENT	1
02	L63016	BUSHING	1	10	L98509	OIL LINE TUBE ASSEMBLY.	1
03	L98547	HEAD GLAND CAP	1	11	L70495	COUNTER BALANCE VALVE	2
04	L99857	5/16"-18x1/4" SET SCREW	1		L97889	SEAL KIT (CBV)	1
05	L98507	HEAD GLAND	1	12	L98506	CYLINDER SEAL KIT.	1
06	L98550	PISTON	1			<i>(Items included are not shown)</i>	

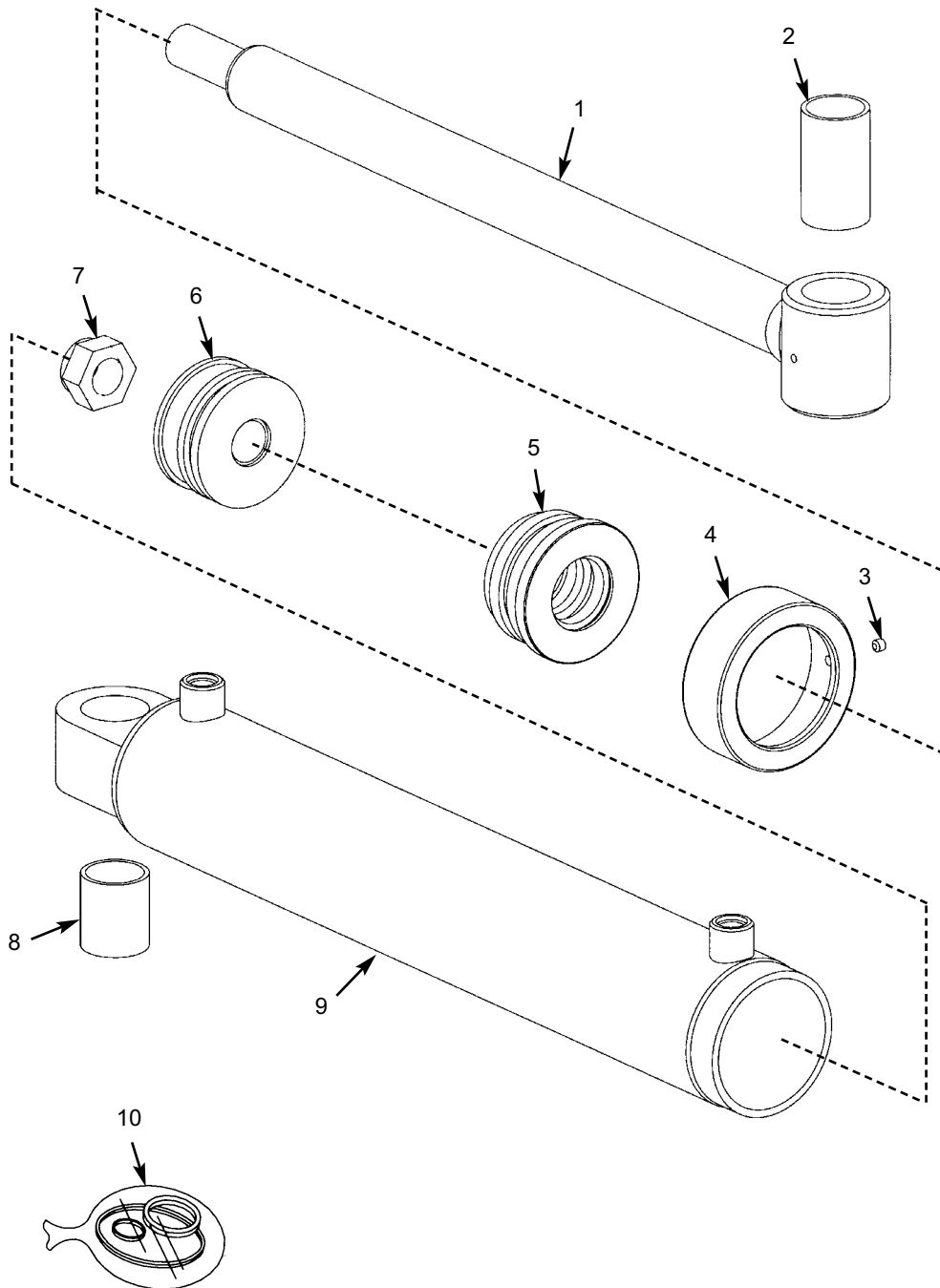
Lift Cylinder Breakdown



Lift Cylinder Breakdown

Ref. No.	Part No.	Description	Qty. Req.	Ref. No.	Part No.	Description	Qty. Req.
00	L63199	LIFT CYLINDER <i>(Complete)</i>	2	06	L99405	1-1/4"-12 UNF LOCKNUT.	1
				07	NSS	TUBE WELDMENT	1
				08	L98519	OIL LINE TUBE ASSEMBLY.	1
						<i>(includes nuts and ferrules)</i>	
				09	L64175	COUNTER BALANCE VALVE	1
					L97889	SEAL KIT (CBV)	1
				10	L98521	CYLINDER SEAL KIT.	1
						<i>(Items included are not shown)</i>	
Note: Quantities shown are for one cylinder.							
01	L98518	ROD WELDMENT	1				
02	L98520	HEAD GLAND CAP	1				
03	L99857	5/16"-18X1/4" SET SCREW	1				
04	L98522	HEAD GLAND	1				
05	L98523	PISTON	1				

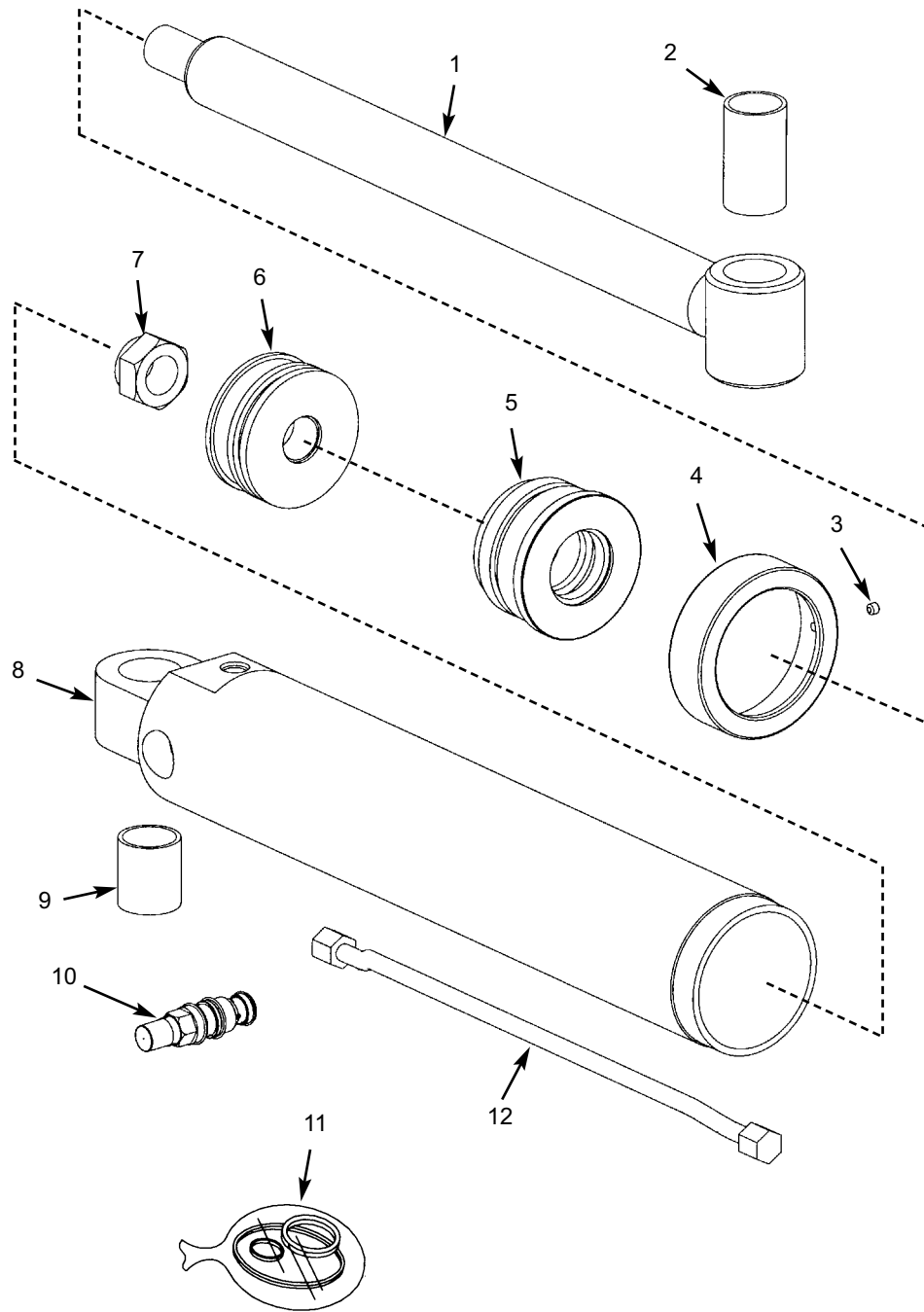
Slave Cylinder Breakdown



Slave Cylinder Breakdown

Ref. No.	Part No.	Description	Qty. Req.	Ref. No.	Part No.	Description	Qty. Req.
00	L63014	SLAVE CYLINDER <i>(Complete)</i>	1	06	L98529	PISTON	1
				07	L500668	1-1/8"-12 UN LOCKNUT.	1
01	L98524	ROD WELDMENT	1	08	L63017	BUSHING	1
02	L63018	BUSHING	1	09	NSS	TUBE WELDMENT	1
03	L99857	5/16"-18X1/4" SET SCREW	1	10	L98527	CYLINDER SEAL KIT.	1
04	L98513	HEAD GLAND CAP	1			<i>(Items included are not shown)</i>	
05	L98528	HEAD GLAND	1				

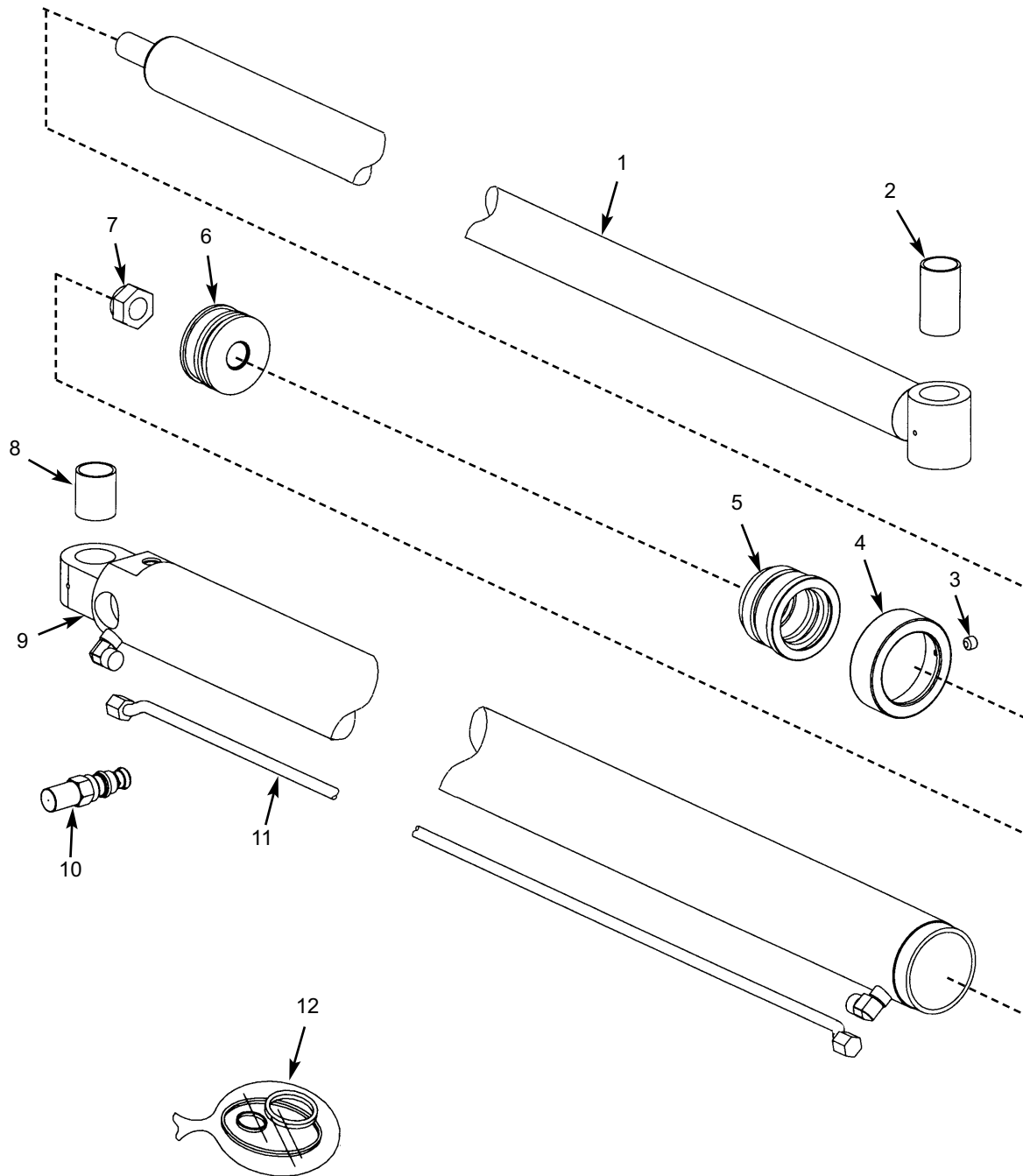
Tilt Cylinder Breakdown



Tilt Cylinder Breakdown

Ref. No.	Part No.	Description	Qty. Req.	Ref. No.	Part No.	Description	Qty. Req.
00	L63013	SLAVE CYLINDER <i>(Complete)</i>	1	08	NSS	TUBE WELDMENT	1
01	L98545	ROD WELDMENT	1	09	L63017	BUSHING	1
02	L63018	BUSHING	1	10	L70495	COUNTER BALANCE VALVE	1
03	L99857	5/16"-18X1/4" SET SCREW	1		L97889	SEAL KIT (CBV)	
04	L98547	HEAD GLAND CAP	1	11	L98548	CYLINDER SEAL KIT.	1
05	L99866	HEAD GLAND	1			<i>(Items included are not shown)</i>	
06	L98550	PISTON	1	12	L98551	HYDRAULIC LINE ASSY.	1
07	L99405	1-1/4"-12 UN LOCKNUT.	1				

Boom Extend Cylinder Breakdown

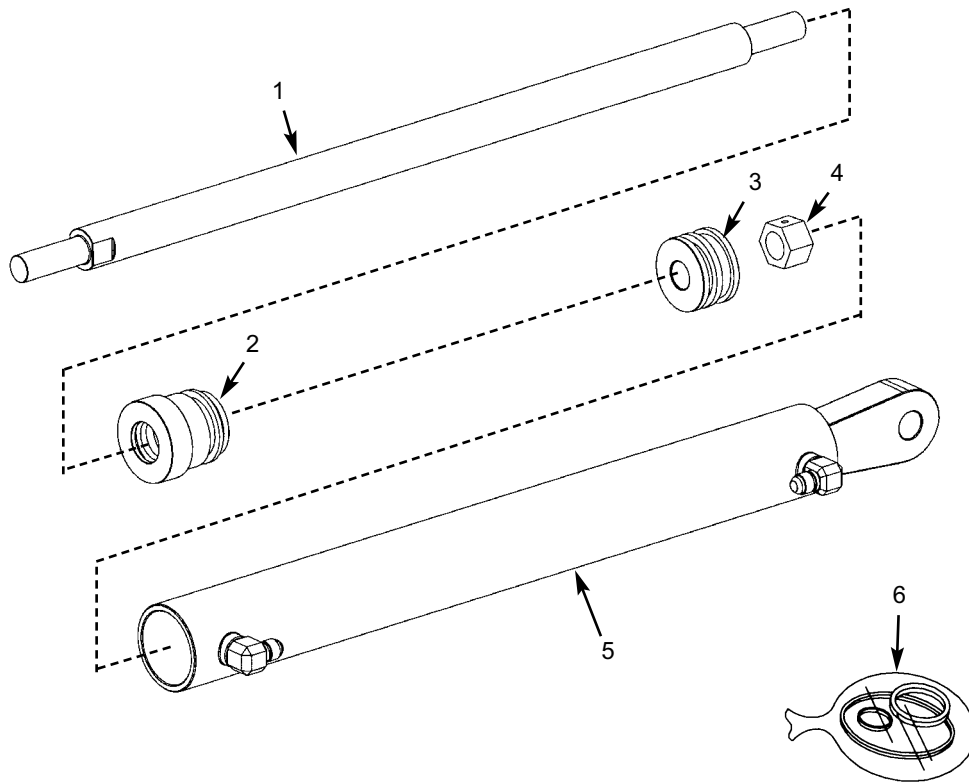


Boom Extend Cylinder Breakdown

Ref. No.	Part No.	Description	Qty. Req.	Ref. No.	Part No.	Description	Qty. Req.
00	L63012	EXTEND CYLINDER <i>(Complete)</i> . . .	1	07	L500668	1-1/8"-12 UN LOCKNUT.	1
01	L98511	ROD WELDMENT	1	08	L63017	BUSHING	1
02	L63018	BUSHING	1	09	NSS	TUBE WELDMENT	1
03	L99857	5/16"-18X1/4" SET SCREW	1	10	L48868A	COUNTER BALANCE VALVE	1
04	L98513	HEAD GLAND CAP	1		L96838	SEAL KIT (CBV)	
05	L99515	HEAD GLAND	1	11	L98517	HYDRAULIC LINE ASSY.	1
06	L98516	PISTON	1	12	L98558	CYLINDER SEAL KIT.	1

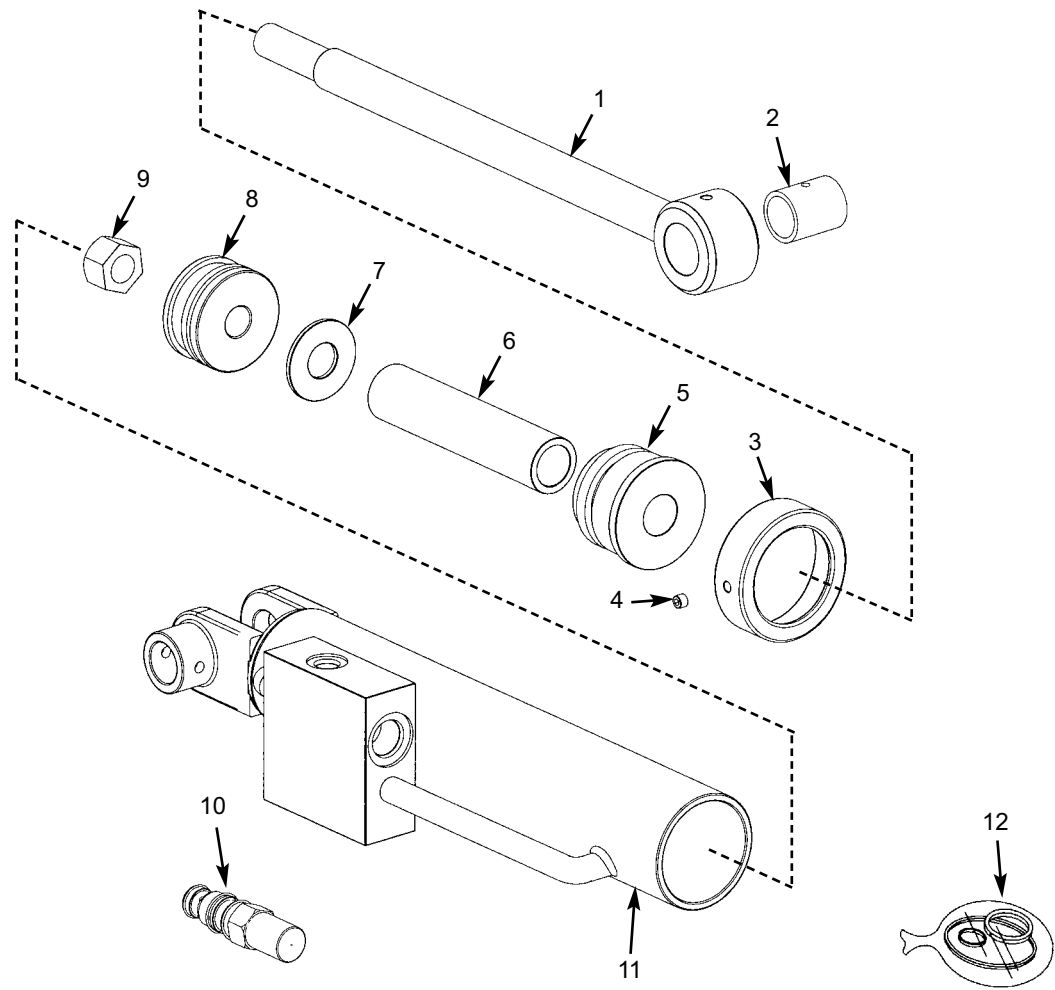
(Items included are not shown)

Fork Shift Cylinder Breakdown



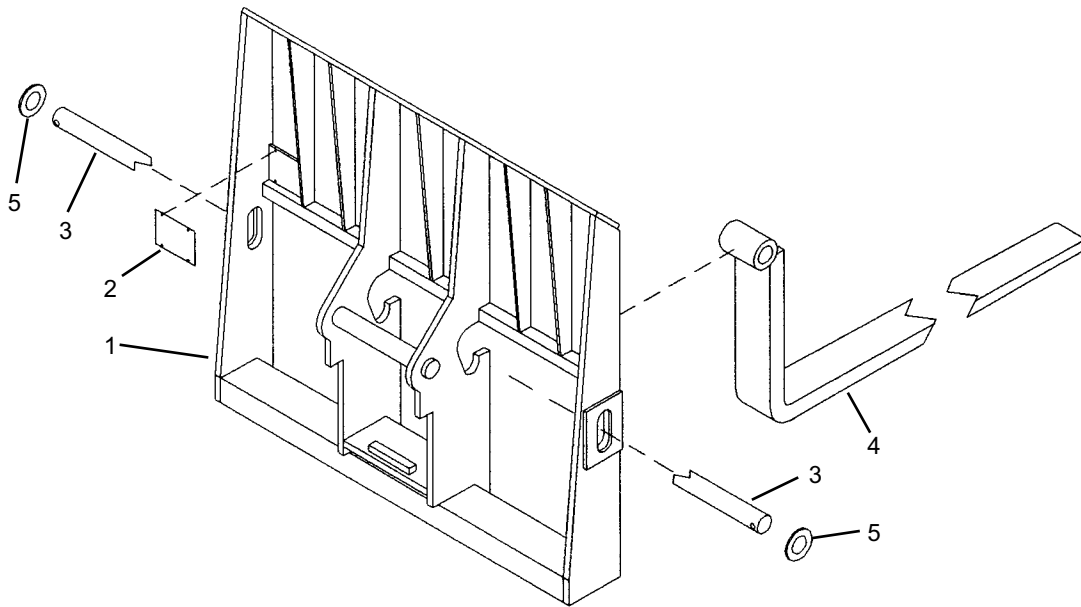
Ref. No.	Part No.	Description	Qty. Req.	Ref. No.	Part No.	Description	Qty. Req.
	L68337	COMPLETE ASSEMBLY		04	L500367	3/4"-16 UNF LOCKNUT	1
01	L500763	ROD WELDMENT	1	05	NSS	TUBE WELDMENT	1
02	L500762	HEAD GLAND	1	06	L500370	SEAL KIT	1
03	L500761	PISTON	1			(Items included are not shown)	

Rotate Carriage Cylinder Breakdown



Ref. No.	Part No.	Description	Qty. Req.	Ref. No.	Part No.	Description	Qty. Req.
00	L63594	ROTATE CYLINDER (Complete) . . .	1	07	L99175	SUPPORT WASHER	1
01	L99168	ROD WELDMENT	1	06	L98921	PISTON	1
02	L63593	BUSHING	1	09	L500367	3/4"-16 UN LOCKNUT	1
03	L99169	HEAD GLAND CAP	1	10	L64175	COUNTER BALANCE VALVE	1
04	L99857	5/16"-18X1/4" SET SCREW	1		L97889	SEAL KIT (CBV)	
05	L99171	HEAD GLAND	1	11	NSS	TUBE WELDMENT	1
06	L99174	SPACER, ROD	1	12	L99170	CYLINDER SEAL KIT	1
						(Items included are not shown)	

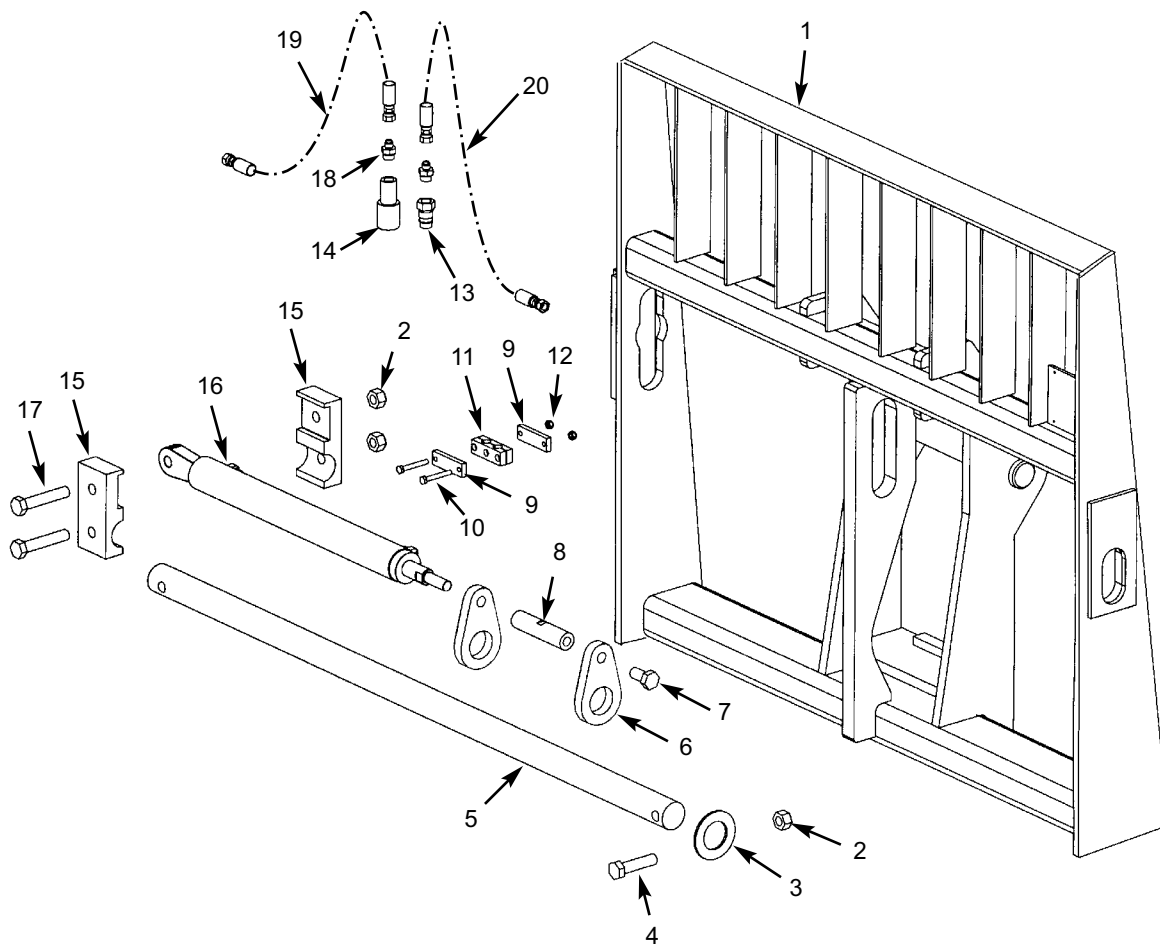
Standard Carriage Attachment Group



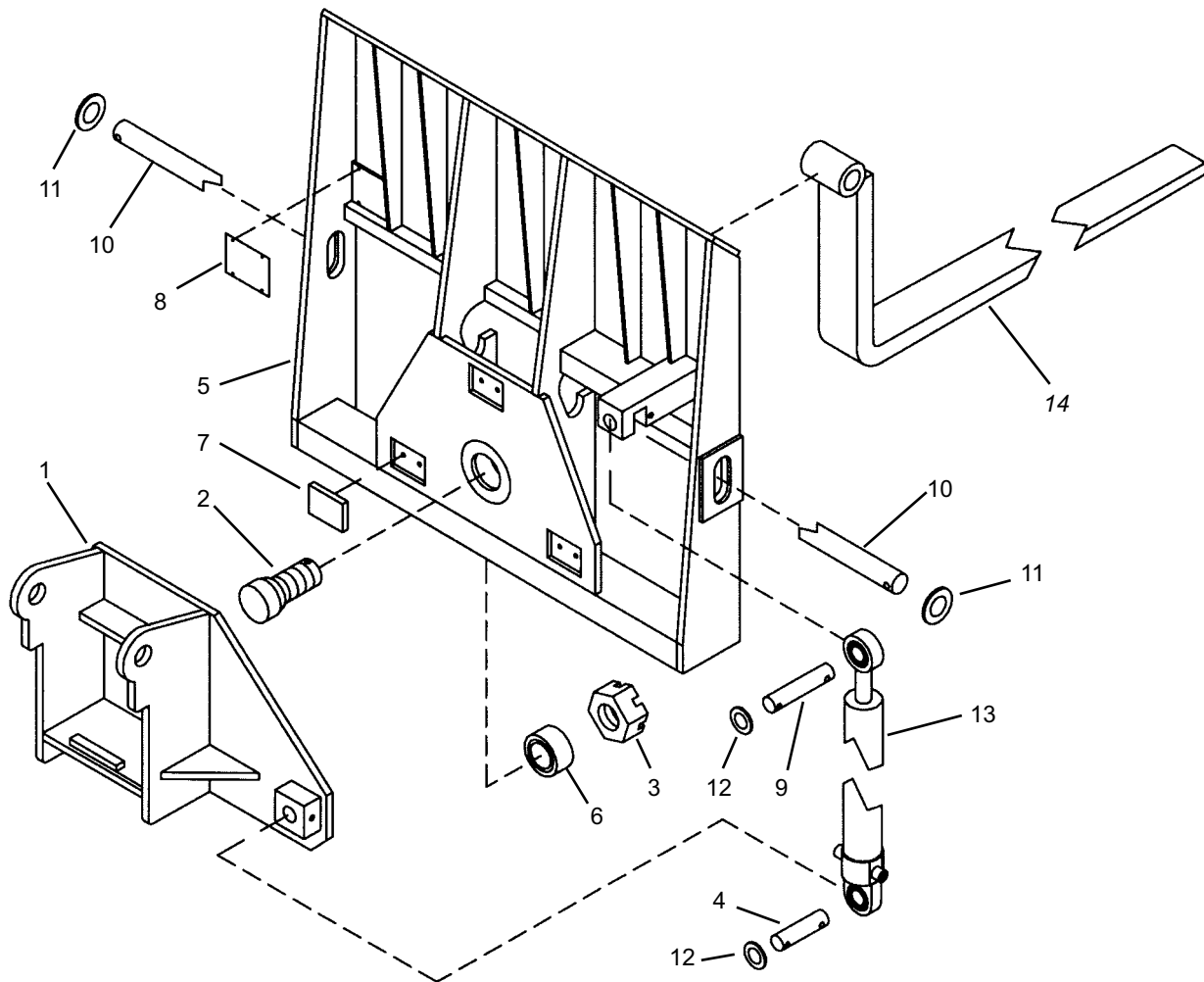
Standard Carriage Attachment Group

Ref. No.	Part No.	Description	Qty. Req.	Ref. No.	Part No.	Description	Qty. Req.
01	L99192	STD. CARR. WELD. 48"	1	04	L61001	BLOCK FORK 2X2X48.	4
	L99193	STD. CARR. WELD. 66"	1	04	L400929	FORK, 1 3/4X5X48	2
02	L66615	CAPACITY PLATE	1	04	L66406	FORK, 2 1/4X4X48	2
	L42871	POPRIVET	4	05	L400425	RETAINER.	2
03	L63319	FORK SHAFT BAR 51-1/2 O.A.L.	1		L50273	CAPSCREW 3/8-16X2-3/4	2
	L63320	FORK SHAFT BAR 68-1/2 O.A.L.	1		L520005	NYLON INSERT NUT 3/8-16.	2
04	L47263	FORK 2X5X48	2				
04	L47265	FORK 2X5X60	2				
04	L61017	BRICK FORK 2X4X48.	2				

Shift Fork Carriage Attachment Group



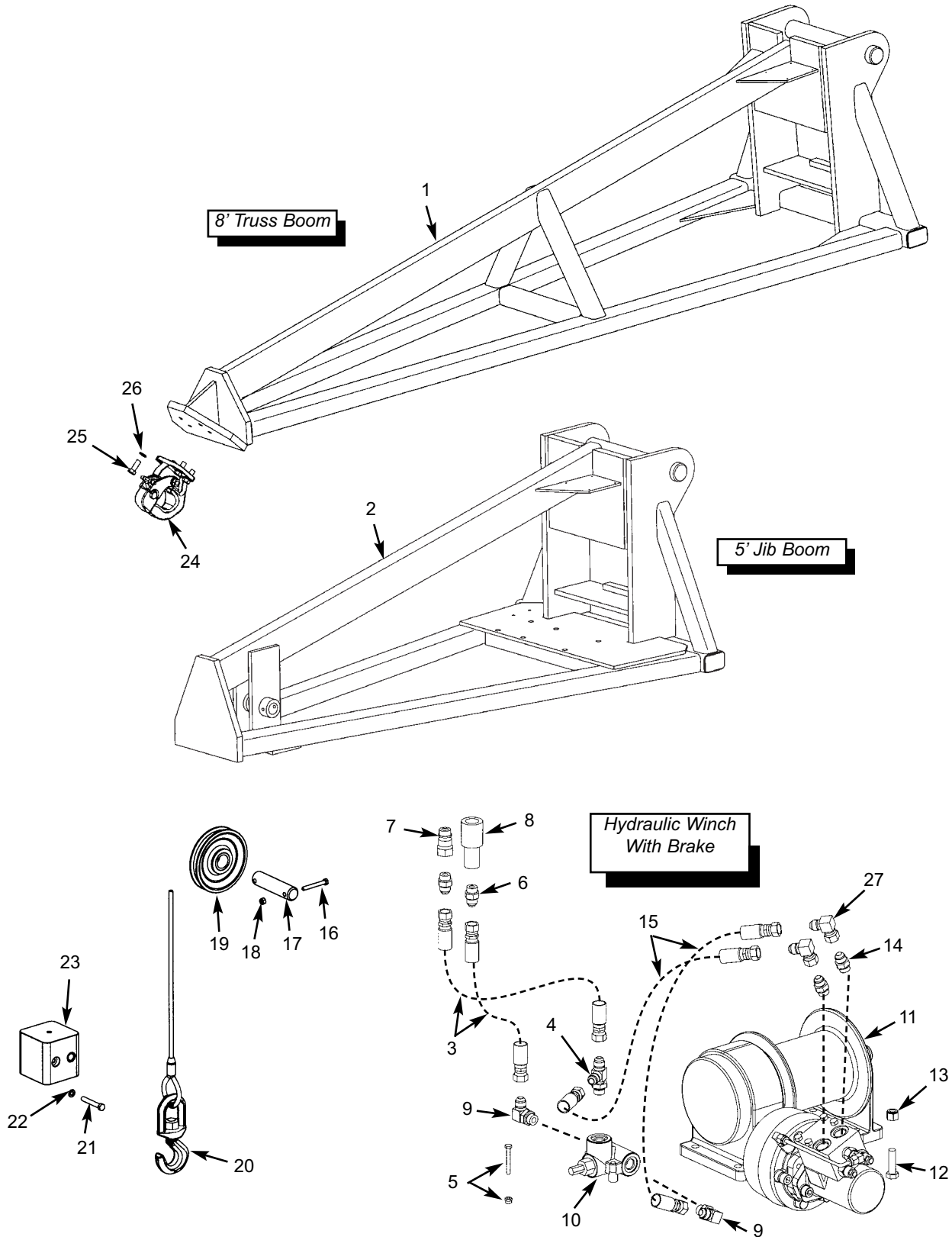
Rotate Carriage Attachment Group



Rotate Carriage Attachment Group

Ref. No.	Part No.	Description	Qty. Req.	Ref. No.	Part No.	Description	Qty. Req.
01	L63952	ROTATE PLATE WELD (Incl. 2) . . .	1	10	L63319	FORK SHAFT BAR 51-1/2" LG. . . .	1
02	NSS	ROTATE PIN (Welded To Item 1). . .	1		L63320	FORK SHAFT BAR 68-1/2' LG. . . .	1
	L50801	CAPSCREW 3/8-16X4	1		L50273	CAPSCREW 3/8-16X2-3/4	2
	L520005	NYLON INSERT NUT 3/8-16.	1		L520005	NYLON INSERT NUT 3/8-16.	2
03	L50205	CASTELLATED NUT 2-12	1	11	L400425	RETAINER.	2
	L61287	WASHER	1	12	L61307	SPACER	2
04	L63968	BUTT END PIVOT PIN.	1	13 ^a	L63594	ROTATE CYLINDER	1
	L50892	CAPSCREW 1/2-13X4	1	14		FORKS	
	L520019	NYLON INSERT NUT 1/2-13.	1		L47263	FORK, 2X5X48	2
	L50273	CAPSCREW 3/8-16X2-3/4	1		L47265	FORK, 2X5X60	2
	L520005	NYLON INSERT NUT 3/8-16.	1		L68331	FORK, 2X5X72	2
05	L99225	ROT. CARR. WELD. 48" (Incl.6,7). . .	1		L61017	BRICK FORK, 2X4X48.	2
	L99224	ROT. CARR. WELD. 66" (Incl.6,7). . .	1		L61001	BLOCK FORK, 2X2X48	4
06	L64367	BUSHING	1		L400929	FORK, 1 3/4X5X48	2
07	L61709	SLIDE PAD 3X4	3		L66406	FORK, 2 1/4X4X48	2
	L50261	CAPSCREW 3/8-16X1-1/2	6				
08	L66615	CAPACITY PLATE	1	a	<i>Hoses and fittings are listed in the "Items Not Shown" section below.</i>		
	L42871	POPRIVET	4		-- ITEMS NOT SHOWN --		
09	L63969	ROD END PIVOT PIN	1		L51968	ADAP, -6ORM -6JICM 90DEG	2
	L50294	CAPSCREW 1/2-13X3-1/2	1		L63344	HOSE, -6 A8/A6 20"	2
	L520019	NYLON INSERT NUT 1/2-13.	1		L63143	ADAP, -8ORM -6JICM STR.	2
	L50273	CAPSCREW 3/8-16X2-3/4	1			(with orifice)	
	L520005	NYLON INSERT NUT 3/8-16.	1		L65273	HYDRAULIC COUPLER SET.	1

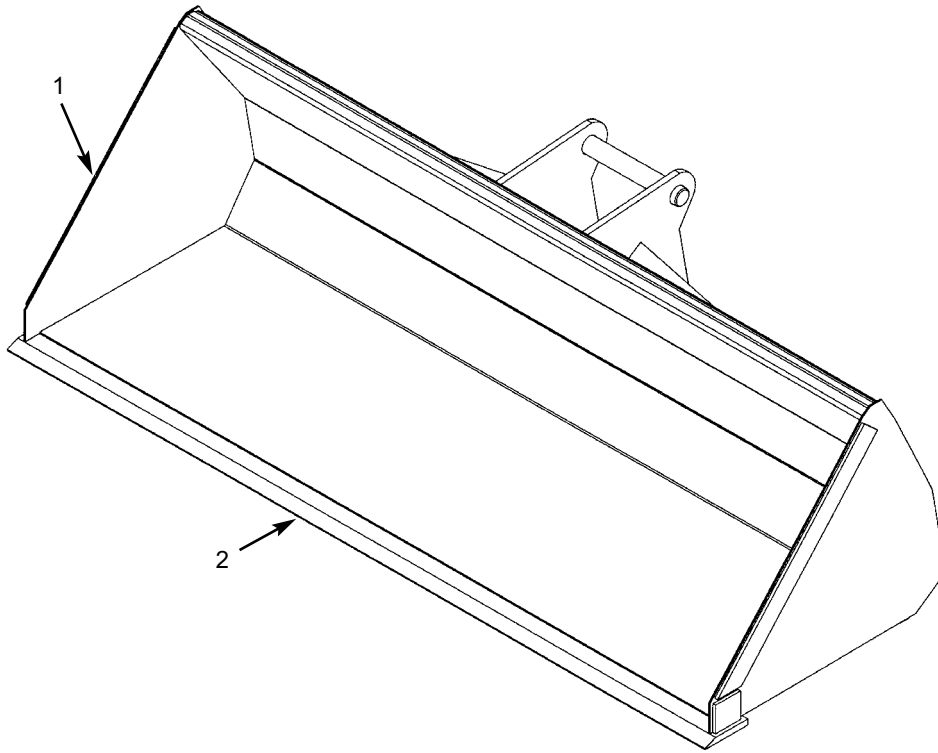
Boom Attachment Group



Boom Attachment Group

Ref. No.	Part No.	Description	Qty. Req.	Ref. No.	Part No.	Description	Qty. Req.
01	L99237	8' TRUSS BOOM WELDMENT.	1	21	L50371	3/8"X2-1/2" BOLT	2
02	L500214	5' JIB BOOM WELDMENT	1	22	L50147	3/8" LOCK WASHER	2
03	L64294	HOSE -8 A8/A8 53"	2	23	L60451	WINCH BALL	1
04	L64660	ADAP -8ORM -8JICM RUN TEE . . .	1	24	L61411	PINTLE HOOK	1
05	L50841	1/4-20"X2" BOLT	2	25	L50380	1/2"-20X1-1/4" GR 8 BOLT	4
	L520003	1/4"-20 NYLON INSERT NUT	2	26	L50152	1/2" LOCK WASHER	4
06	L444004	ADAP -8ORM -8JICM STR.	2	27 ^c	L446017	ADAP -8JICFS -8JICM 90	2
07 ^d	NSS	COUPLER, MALE	1				
08 ^d	NSS	COUPLER, FEMALE	1				
09	L445002	ADAP -8ORM -8JICM 90 DEG	2	a	<i>Used 5' truss booms after attachment serial number 11182. The winch on 5' truss booms before attachment serial number 11183 have been discontinued, you must purchase a boom and a winch.</i>		
10	L82358	RELIEF VALVE	1				
11 ^a	100963	HYDRAULIC WINCH	1				
12	L50286	1/2"-13X1-3/4" GR 8 BOLT	6				
13	L520019	1/2-13 NYLON INSERT NUT	6				
14	L444008	ADAP -10ORM -8JICM.	2	b	<i>Used with 5' truss booms with winch.</i>		
15	L400398	HOSE -6 A8/A8 18.5"	2				
16	L50815	5/16"X2-1/2" BOLT	2	c	<i>Not used on some attachments.</i>		
17	100076	PIN, TRUSS WINCH	1				
18	L520004	5/16"-18 NYLON INSERT NUT.	2	d	<i>Sold as a set. Order part #L65273 Quick Couplers</i>		
19	L65338	WINCH SHEAVE	1				
20 ^b	L66946	3/8"X60' WINCH CABLE (Includes hook and swivel)	1				
					-- ITEMS NOT SHOWN --		
					L500222	AUGER, ADAPTER PLATE	1

Bucket Attachment Group



Ref. No.	Part No.	Description	Qty. Req.	Ref. No.	Part No.	Description	Qty. Req.
01	L500373	1.3 CU. YD. BUCKET WELDMNT .	1	02		WELD ON CUTTING EDGE.	1
	L42871	1/8" POP RIVET	4		L63748	3/4"X6"X94"	
	L66615	NAME PLATE	1		L68831	3/4"X6"X98"	

Notes

Part No.	Page No.	Ref. No.	Part No.	Page No.	Ref. No.	Part No.	Page No.	Ref. No.	Part No.	Page No.	Ref. No.
056859	9	00	L40496	25	01	L444007	59	05	L46865	99	03
072340	31	11	L40496	27	01	L444008	107	07	L46881	53	20
072340	33	04	L40805	53	16	L444008	117	07	L47212	53	24
072794	9	00	L41179	51	02	L444008	119	08	L47263	159	04
072797	9	00	L41260	25	02	L444008	123	06	L47263	161	00
072798	9	00	L41260	27	02	L444008	165	14	L47263	163	14
078936	55	03	L41261	25	03	L444010	107	28	L47265	159	04
089069	31	21	L41261	27	03	L444010	121	15	L47265	161	00
089069	33	14	L41847	41	19	L444012	99	17	L47265	163	14
089070	31	21	L41847	43	11	L444070	59	07	L47275	31	38
089070	33	14	L41847	47	06	L4445	49	01	L47275	59	01
093475	10	00	L41848	31	19	L4446	49	05	L48011	57	00
094951	10	00	L41848	33	05	L445001	101	18	L48011	57	03
100011	63	14	L41852	33	14	L445001	109	19	L48179	35	07
100012	35	31	L41854	45	08	L445001	53	06	L48868A	155	10
100076	165	17	L42342	31	38	L445002	101	21	L49327	45	19
100135	29	01	L42342	59	01	L445002	109	12	L500127	127	18
100963	165	11	L42448	37	17	L445002	117	12	L500129	127	16
101158	37	17	L42871	159	02	L445002	119	11	L500130	127	04
101279	19	01	L42871	161	01	L445002	119	26	L500132	127	04
122288	7	00	L42871	163	08	L445002	121	02	L500134	127	03
122288	8	00	L42871	166	01	L445002	165	09	L500135	127	14
650965	59	21	L43221	45	20	L445002	99	18	L500214	165	02
651270	139	07	L43964	31	23	L445003	103	06	L500215	161	01
651543	63	10	L43965	31	22	L445003	107	26	L500222	165	00
654022	127	15	L441010	101	09	L445003	111	05	L500314	57	07
903891	6	00	L441010	45	17	L445003	99	13	L500314	57	09
906213	6	00	L441010	99	22	L445005	115	06	L500315	57	08
906214	6	00	L442022	45	12	L445006	109	27	L500317	79	15
906317	6	00	L443011	107	01	L445006	121	15	L500329	144	02
906317	6	00	L443011	109	01	L445012	99	10	L500330	144	03
906318	6	00	L443011	119	04	L445014	101	01	L500331	144	04
906323	6	00	L443011	121	16	L445014	99	01	L500332	144	05
L10151	59	20	L443011	123	04	L446017	165	27	L500333	144	06
L10465	35	23	L443022	121	02	L446017	63	17	L500334	144	07
L10465	87	04	L444001	101	13	L446019	101	05	L500356	79	15
L120038A	55	00	L444001	107	13	L446020	53	07	L500367	156	04
L120039	55	08	L444001	109	23	L446026	107	06	L500367	157	09
L120041	55	00	L444001	59	03	L446026	109	08	L500368	124	03
L120041	55	15	L444002	101	15	L446026	117	06	L500370	156	06
L120047	57	03	L444002	103	09	L446026	119	07	L500373	166	01
L120047	57	10	L444002	105	06	L446044	35	32	L500446	25	06
L120047	57	14	L444002	105	09	L446044	35	38	L500447	25	06
L120047	57	00	L444002	111	03	L446048	45	16	L500448	37	08
L120054	1	00	L444002	45	15	L446048	99	24	L500451	73	02
L120054	55	05	L444002	99	23	L446049	65	05	L500452	73	03
L12047	57	00	L444003	109	09	L447005	51	22	L500453	73	04
L277013	79	17	L444003	117	07	L44859	35	22	L500454	73	05
L277568	31	27	L444003	119	08	L45049	63	19	L500455	67	38
L400398	165	15	L444004	103	17	L45049	65	18	L500455	73	06
L400425	159	05	L444004	105	17	L45666	113	01	L500456	67	24
L400425	161	03	L444004	109	14	L45934	53	13	L500456	73	08
L400425	163	11	L444004	119	26	L46572	137	01	L500457	75	01
L400929	159	04	L444004	123	19	L46865	101	03	L500458	75	02
L400929	161	00	L444004	165	06	L46865	124	02	L500459	75	02
L400929	163	14	L444004	25	11	L46865	124	02	L500460	75	02
L40417	33	14	L444004	27	12	L46865	124	03	L500461	75	02

Part No.	Page No.	Ref. No.	Part No.	Page No.	Ref. No.	Part No.	Page No.	Ref. No.	Part No.	Page No.	Ref. No.
L500462	75	02	L500517	67	41	L50084	63	04	L50152	21	16
L500463	75	03	L500518	67	42	L50084	65	04	L50152	91	09
L500464	75	05	L500519	67	43	L50086	91	35	L50157	115	15
L500465	75	06	L500521	67	45	L50086	95	21	L50157	63	03
L500466	75	07	L500522	67	46	L500943	132	02	L50157	65	03
L500467	75	08	L500523	67	49	L500944	137	27	L50184	99	05
L500468	75	09	L500524	67	49	L500945	137	26	L50201	63	25
L500469	75	10	L500525	67	49	L500946	137	30	L50202	15	08
L500470	75	11	L500526	67	50	L500947	137	29	L50202	19	21
L500471	75	12	L500527	83	01	L500948	29	05	L50202	21	17
L500472	75	13	L500528	83	02	L500949	137	10	L50202	23	17
L500473	75	14	L500529	83	03	L500950	137	11	L50202	27	05
L500474	75	15	L500531	83	05	L500951	137	12	L50202	31	38
L500476	75	17	L500532	83	06	L500952	127	06	L50205	163	03
L500477	75	17	L500533	83	07	L500953	127	07	L50207	119	00
L500478	75	18	L500534	83	08	L500954	127	02	L50207	123	16
L500479	75	22	L500535	83	09	L500955	127	11	L50207	91	00
L500480	75	23	L500536	83	10	L500956	127	08	L50207	93	04
L500481	75	24	L500537	83	13	L500957	127	12	L50207	95	05
L500483	67	01	L500538	83	14	L500958	127	17	L50208	29	04
L500484	67	02	L500539	132	01	L500959	127	13	L50208	37	13
L500485	67	03	L500539	63	12	L500960	127	20	L50208	39	01
L500486	67	04	L500540	132	01	L500961	127	15	L50211	21	20
L500488	67	05	L500540	63	12	L500962	134	02	L50212	21	18
L500489	67	06	L500541	63	13	L50101	25	04	L50226	87	05
L500490	63	22	L500542	63	24	L50101	27	08	L50226	91	14
L500490	67	09	L500543	63	20	L50139	137	28	L50228	123	15
L500491	67	10	L500544	63	21	L50141	23	07	L50228	53	05
L500492	67	11	L500546	63	11	L50141	31	02	L50228	93	03
L500493	67	12	L500554	67	44	L50141	39	26	L50228	95	06
L500494	67	13	L500555	67	48	L50141	41	02	L50230	23	06
L500495	67	14	L50056	29	08	L50141	53	04	L50230	31	16
L500496	67	15	L50056	31	14	L50141	89	10	L50230	41	09
L500496	83	12	L50056	35	03	L50141	91	04	L50230	45	23
L500497	67	17	L50056	37	04	L50143	23	20	L50230	53	10
L500498	67	18	L50056	39	24	L50145	19	02	L50230	55	11
L500499	67	19	L50056	41	03	L50145	29	00	L50235	35	02
L50050	35	00	L50056	55	12	L50145	35	27	L50242	161	10
L500500	67	20	L50061	19	03	L50145	41	17	L50251	91	25
L500501	67	21	L50061	29	06	L50145	43	13	L50251	93	19
L500502	67	22	L50061	47	08	L50145	57	05	L50251	95	07
L500503	67	23	L500668	151	07	L50147	13	07	L50253	25	09
L500504	67	26	L500668	155	07	L50147	165	22	L50261	35	28
L500505	67	27	L500673	25	08	L50147	39	25	L50261	89	23
L500506	67	28	L50072	21	04	L50147	59	21	L50261	91	32
L500507	67	29	L50072	35	20	L50147	89	11	L50261	93	22
L500508	67	30	L500761	156	03	L50147	91	27	L50273	117	04
L500509	67	32	L500762	156	02	L50147	93	20	L50273	119	13
L50051	19	20	L500763	156	01	L50147	93	23	L50273	121	05
L50051	23	16	L500768	39	20	L50147	95	08	L50273	87	06
L50051	35	37	L500769	139	14	L50150	35	25	L50273	93	12
L500510	67	33	L500770	133	02	L50151	137	05	L50273	97	03
L500511	67	34	L500771	75	16	L50151	139	03	L50275	115	08
L500512	67	35	L500771	77	05	L50151	23	02	L50277	115	03
L500513	67	36	L50082	137	07	L50151	35	06	L50283	99	06
L500515	67	39	L50082	139	06	L50151	53	14	L50286	13	04
L500516	67	40	L50084	115	16	L50152	165	26	L50286	165	12

Part No.	Page No.	Ref. No.	Part No.	Page No.	Ref. No.	Part No.	Page No.	Ref. No.	Part No.	Page No.	Ref. No.
L50286	45	10	L50815	165	16	L520005	57	02	L61092	101	04
L50294	23	01	L50815	53	18	L520005	87	06	L61136	53	25
L50319	51	10	L50823	41	01	L520005	93	06	L61198	19	07
L50319	59	11	L50835	31	18	L520005	93	13	L61199	19	14
L50333	161	04	L50835	35	14	L520005	95	26	L61200	19	15
L50367	13	06	L50836	57	18	L520005	97	02	L61287	163	03
L50367	29	00	L50841	165	05	L520007	23	12	L61307	163	12
L50367	49	02	L50875	161	07	L520007	51	13	L61411	165	24
L50367	57	06	L50877	119	23	L520007	59	13	L61620	45	18
L50367	91	26	L50877	123	10	L520017	31	12	L61699	93	26
L50367	93	15	L50877	95	23	L520019	13	03	L61699	95	04
L50371	165	21	L50878	121	09	L520019	165	13	L61704	87	17
L50380	165	25	L50878	91	18	L520019	21	03	L61704	89	20
L50380	91	08	L50895	107	10	L520019	23	04	L61708	87	11
L50403	115	08	L50896	19	09	L520019	45	11	L61708	89	20
L50403	89	23	L50896	19	18	L520019	53	15	L61708	91	23
L50403	91	30	L50896	31	25	L520019	87	02	L61708	93	27
L50417	31	05	L50896	37	15	L52024	35	37	L61709	163	07
L50418	45	07	L50952	57	07	L52025	23	18	L61709	87	15
L50442	41	18	L50952	59	25	L52025	29	00	L61709	87	16
L50442	43	12	L510007	89	11	L52025	31	03	L61709	89	15
L50442	57	16	L510008	89	10	L52025	37	06	L61709	89	18
L50462	87	02	L510041	35	24	L52025	41	20	L61709	89	20
L50468	59	10	L51052	37	00	L52026	27	11	L61709	91	28
L50486	39	22	L51060	37	00	L52026	29	07	L61709	93	21
L50491	91	07	L51098	55	00	L52026	93	07	L61709	95	09
L50519	161	02	L51099	55	14	L52026	95	27	L61867	45	07
L50535	103	04	L51243	37	00	L52028	91	05	L62132	33	06
L50535	105	04	L514001	19	12	L530003	47	10	L62320	130	07
L50545	123	17	L51493	101	06	L530004	23	08	L62320	131	07
L50546	31	13	L51591	105	02	L530004	41	11	L62459	29	03
L50562	161	17	L51591	35	15	L530004	53	11	L62482	103	02
L50567	23	09	L51622	35	39	L54002	23	14	L62484	31	15
L50607	31	38	L51674	55	00	L550003	41	00	L62553	111	02
L50607	35	18	L51968	163	00	L550003	45	00	L62553	137	00b
L50609	59	01	L520003	103	08	L561004	35	00	L62583	9	00
L50612	128	02	L520003	105	08	L570022	89	12	L62715	87	12
L50612	130	08	L520003	15	02	L580005	35	19	L62715	87	19
L50612	91	10	L520004	107	11	L580009	35	00	L62715	89	17
L50612	95	16	L520004	119	22	L580009	51	09	L62715	89	19
L50628	35	11	L520004	121	10	L60253	107	14	L62715	89	23
L50629	17	08	L520004	123	09	L60253	115	17	L62715	91	24
L50646	89	03	L520004	161	12	L60291	55	09	L62715	93	16
L50646	97	12	L520004	165	18	L60302	111	06	L62715	95	11
L50655	19	18	L520004	35	13	L60302	139	00	L62720	41	05
L50655	31	26	L520004	89	10	L60451	165	23	L62720	43	03
L50655	37	16	L520004	91	17	L60492	57	13	L62721	43	03
L50667	51	17	L520004	93	05	L60492	57	14	L62722	41	04
L50704	59	12	L520004	95	03	L60653	63	08	L62722	43	03
L50712	115	14	L520005	115	05	L61001	159	04	L62731	89	20
L50712	63	26	L520005	117	05	L61001	163	14	L62731	93	28
L50712	65	19	L520005	119	12	L61017	159	04	L62732	89	22
L50727	59	26	L520005	121	03	L61017	161	00	L62732	93	29
L50741	99	15	L520005	29	00	L61017	163	14	L62733	87	14
L50755	41	24	L520005	35	26	L61021	57	19	L62733	91	29
L50755	43	10	L520005	39	23	L61085	21	13	L62733	93	18
L50755	45	00	L520005	49	04	L61086	21	19	L62734	89	16

Part No.	Page No.	Ref. No.	Part No.	Page No.	Ref. No.	Part No.	Page No.	Ref. No.	Part No.	Page No.	Ref. No.
L62734	93	17	L63115	115	13	L63272	121	19	L63384	105	14
L62734	95	10	L63115	65	20	L63272	87	06	L63384	99	11
L62741	35	33	L63125	109	29	L63272	89	07	L63385	101	23
L62814	49	06	L63125	128	01	L63272	89	13	L63385	101	24
L62831	45	03	L63126	141	00	L63272	97	06	L63385	115	07
L62834	27	18	L63127	113	03	L63273	119	18	L63386	103	07
L62840	125	05	L63127	143	00	L63273	121	04	L63386	105	07
L62840	27	19	L63128	113	04	L63273	87	09	L63386	63	15
L62842	25	12	L63128	113	06	L63273	89	14	L63386	65	14
L62842	27	14	L63128	115	18	L63274	117	03	L63387	103	13
L62842	99	07	L63129	59	09	L63274	87	07	L63387	105	13
L62926	35	36	L63131	87	05	L63274	89	06	L63387	63	16
L62933	27	00	L63131	91	13	L63274	97	04	L63387	65	15
L62949	33	10	L63132	17	04	L63275	115	10	L63388	103	11
L630001	47	03	L63142	33	00	L63276	115	04	L63388	105	11
L630003	47	04	L63143	101	27	L63280	65	11	L63388	63	16
L630004	47	02	L63143	115	19	L63284	49	00	L63388	65	15
L63005	95	02	L63143	161	18	L63286	35	40	L63389	109	02
L63006	93	02	L63143	163	00	L63308	101	03	L63389	109	03
L63009	115	12	L63145	119	01	L63308	124	01	L63389	119	02
L63009	65	02	L63145	123	01	L63309	101	02	L63389	119	03
L63012	121	01	L63153	93	11	L63309	99	02	L63389	123	02
L63012	155	00	L63156	95	15	L63314	87	10	L63389	123	03
L63012	87	24	L63156	95	18	L63314	89	10	L63390	101	16
L63013	119	19	L63157	93	10	L63319	159	03	L63390	105	15
L63013	153	00	L63158	93	09	L63319	163	10	L63391	109	26
L63013	89	26	L63166	91	34	L63320	159	03	L63391	109	28
L63013	97	08	L63166	95	19	L63320	163	10	L63391	121	11
L63014	119	16	L63167	91	33	L63326	97	10	L63391	121	12
L63014	151	00	L63167	95	20	L63334	47	01	L63392	109	10
L63014	87	26	L63168	95	17	L63335	19	18	L63392	109	11
L63015	115	01	L63169	91	11	L63335	33	00	L63393	109	16
L63015	147	00	L63172	35	04	L63335	33	12	L63394	109	15
L63016	115	11	L63173	91	12	L63335	33	13	L63395	101	12
L63016	147	02	L63199	117	01	L63344	163	00	L63396	101	11
L63017	117	02	L63199	149	00	L63345	113	01	L63396	109	20
L63017	151	08	L63199	87	25	L63345	113	02	L63397	109	04
L63017	153	09	L63200	91	01	L63345	141	00	L63397	117	09
L63017	155	08	L63202	59	09	L63356	53	03	L63398	109	05
L63017	87	08	L63203	59	19	L63361	43	05	L63398	117	08
L63017	89	08	L63215	45	01	L63363	135	00	L63399	53	09
L63017	91	16	L63216	101	10a	L63363	35	34	L63399	59	02
L63017	95	22	L63216	45	21	L63373	35	21	L63400	53	08
L63017	97	05	L63217	45	09	L63379	101	26	L63401	109	18
L63018	119	15	L63222	63	19	L63379	103	03	L63402	101	07
L63018	121	18	L63222	65	18	L63379	105	03	L63402	27	17
L63018	151	02	L63230	35	01	L63380	101	17	L63403	103	10
L63018	153	02	L63234	65	01	L63381	63	07	L63403	105	10
L63018	155	02	L63239	93	25	L63381	65	07	L63403	63	15
L63024	87	01	L63248	47	05	L63382	35	29	L63403	65	14
L63032	89	09	L63261	51	16	L63382	35	30	L63405	119	20
L63044	65	18	L63262	51	15	L63382	63	06	L63405	119	21
L63056	87	03	L63263	59	23	L63382	65	06	L63406	101	29
L63078	59	19	L63264	59	17	L63383	103	12	L63406	107	21
L63099	87	02	L63265	23	19	L63383	105	12	L63406	109	21
L63099	91	21	L63269	23	03	L63384	101	22	L63406	99	14
L63114	65	12	L63272	119	14	L63384	103	14	L63407	107	09

Part No.	Page No.	Ref. No.	Part No.	Page No.	Ref. No.	Part No.	Page No.	Ref. No.	Part No.	Page No.	Ref. No.
L63407	107	15	L63564	35	12	L63716	161	11	L63930	37	03
L63407	107	16	L63574	21	02	L63716	95	24	L63931	19	17
L63407	109	06	L63593	157	02	L63717	87	20	L63931	31	29
L63407	109	07	L63594	157	00	L63717	89	24	L63931	31	30
L63407	117	10	L63594	163	13	L63719	87	23	L63932	19	16
L63407	117	11	L63595	49	00	L63720	87	22	L63932	31	28
L63407	119	10	L63599	109	22	L63725	13	05	L63933	31	36
L63408	101	19	L63599	123	07	L63727	17	05	L63934	31	31
L63409	119	20	L63599	123	08	L63737	13	08	L63935	31	24
L63409	119	21	L63600	123	13	L63738	17	09	L63936	31	24
L63420	35	00	L63600	123	14	L63739	13	01	L63937	31	32
L63437	10	00	L63601	123	13	L63740	17	01	L63938	31	35
L63439	55	00	L63601	123	14	L63741	21	08	L63941	31	24
L63439	55	16	L63602	133	04	L63748	166	02	L63942	31	24
L63442	51	16	L63606	33	00	L63751	33	00	L63943	65	11
L63443	51	15	L63609	51	02	L63752	33	00	L63946	17	03
L63453	51	15	L63610	31	10	L63753	33	00	L63952	163	01
L63454	10	00	L63610	33	15	L63756	41	25	L63957	89	02
L63457	113	03	L63611	33	00	L63756	43	08	L63957	97	00
L63458	23	13	L63618	10	00	L63756	45	00	L63968	163	04
L63474	11	00	L63629	35	35	L63757	19	00	L63969	163	09
L63474	8	00	L63630	113	05	L63764	55	18	L64047	53	20
L63476	113	07	L63631	11	00	L63793	21	01	L64055	53	25
L63476	128	03	L63632	11	00	L63797	89	02	L64090	33	00
L63476	130	09	L63633	31	38	L63797	97	00	L64097	33	00
L63476	131	09	L63633	59	01	L63798	45	06	L64124	23	10
L63477	141	01	L63636	57	01	L63799	21	02	L64124	51	11
L63478	21	12	L63640	31	08	L63801	21	05	L64124	59	15
L63490	109	17	L63640	33	16	L63810	29	05	L64143	87	18
L63496	43	06	L63647	33	00	L63811	29	01	L64143	89	22
L63502	101	14	L63648	57	00	L63813	23	00	L64143	91	31
L63503	43	05	L63650	57	09	L63813	37	00	L64175	149	09
L63505	45	05	L63651	35	16	L63814	49	09	L64175	157	10
L63506	43	02	L63651	35	17	L63815	49	10	L64179	101	20
L63509	43	01	L63660	57	15	L63816	49	08	L64179	129	00
L63513	43	03	L63661	10	00	L63835	31	38	L64196	59	16
L63516	43	04	L63664	57	00	L63837	31	38	L64197	23	11
L63519	23	14	L63665	53	21	L63853	49	03	L64197	51	12
L63524	43	07	L63674	31	01	L63864	41	00	L64197	59	14
L63529	13	02	L63688	31	07	L63864	45	00	L64294	165	03
L63530	13	02	L63689	31	37	L63870	23	05	L64311	101	08
L63531	13	02	L63690	10	00	L63870	41	00	L64311	101	25
L63532	13	02	L63692	10	00	L63872	33	08	L64326	79	16
L63536	37	07	L63694	121	17	L63872	49	00	L64367	115	02
L63542	11	00	L63694	87	13	L63873	49	00	L64367	147	08
L63545	37	01	L63694	91	22	L63874	49	00	L64367	163	06
L63545	39	12	L63699	19	19	L63884	23	19	L64411	109	25
L63546	19	06	L63699	31	20	L63887	31	38	L64411	131	00
L63546	49	00	L63699	33	07	L63894	33	09	L64437	51	04
L63547	21	14	L63700	13	10	L63896	13	02	L64523	105	01
L63548	21	15	L63715	119	24	L63906	19	00	L64523	134	01
L63550	33	00	L63715	123	11	L63913	41	23	L64523	27	15
L63550	41	00	L63715	161	09	L63913	43	09	L64524	103	16
L63551	55	00	L63715	87	21	L63913	45	00	L64524	105	16
L63559	23	15	L63715	89	25	L63919	57	00	L64524	25	10
L63560	17	07	L63715	95	25	L63923	89	11	L64524	27	13
L63563	17	06	L63716	123	18	L63926	10	00	L64572	57	20

Part No.	Page No.	Ref. No.	Part No.	Page No.	Ref. No.	Part No.	Page No.	Ref. No.	Part No.	Page No.	Ref. No.
L64646	51	14	L65932	7	00	L66842	23	00	L67657	55	13
L64658	109	13	L65932	8	00	L66842	37	00	L67674	31	24
L64658	145	01	L65933	8	00	L66843	19	07	L67674	39	10
L64660	165	04	L65937	9	00	L66849	31	30	L67681	31	38
L64663	35	00	L65942	7	00	L66849	37	03	L67681	39	09
L64663	51	08	L65948	11	00	L66850	19	17	L67685	51	15
L64664	35	00	L66011	31	04	L66850	31	29	L67719	9	00
L64664	51	07	L66042	11	00	L66855	51	00	L67720	9	00
L64764	57	04	L66053	33	00	L66877	55	17	L67721	9	00
L64788	55	19	L66059	27	06	L66907	21	18	L67722	9	00
L64821	57	15	L66110	27	16	L66917	59	18	L67723	9	00
L64890	35	09	L66119	53	12	L66918	161	15	L67732	39	14
L64970	33	00	L66135	35	00	L66919	161	05	L67751	53	21
L64987	49	00	L66138	65	16	L66921	161	08	L67756	41	16
L650004	33	01	L66139	63	09	L66931	161	06	L67756	43	14
L650004	33	11	L66139	65	08	L66946	165	20	L67756	57	17
L650004	51	00	L66156	35	05	L66948	161	08	L67804	15	12
L650005	33	11	L66162	33	00	L66949	161	20	L67809	15	11
L650012	31	17	L66265	53	23	L66950	161	19	L67811	15	10
L650012	33	02	L66360	51	00	L66965	59	04	L67813	15	07
L65025	57	12	L66406	159	04	L66976	39	30	L67813	19	13
L65097	89	04	L66406	161	00	L66977	39	32	L67815	15	05
L65097	97	13	L66406	163	14	L66986	37	12	L67821	15	13
L65098	89	05	L66414	53	20	L66993	37	14	L67832	15	06
L65098	97	14	L66437	31	09	L66997	37	08	L67832	19	11
L65142	45	24	L66437	33	03	L67217	51	16	L67832	25	07
L65144	45	22	L66456	97	09	L67226	39	19	L67832	27	10
L65224	10	00	L66515	53	17	L67282	13	01	L67832	37	17
L65273	161	14	L66547	39	17	L67285	21	08	L67832	49	00
L65273	163	00	L66565	8	00	L67308	21	11	L67858	15	09
L65338	165	19	L66568	7	00	L67309	21	06	L67865	13	11
L65440	10	00	L66568	8	00	L67330	35	10	L68003	119	17
L65557	109	24	L66569	7	00	L67452	53	08	L68003	121	06
L65568	51	00	L66569	9	00	L67452	59	06	L68003	97	07
L65570	51	00	L66581	7	00	L67498	65	18	L68006	91	15
L65638	87	27	L66581	8	00	L67499	63	19	L68039	119	25
L65638	91	06	L66584	7	00	L67499	65	18	L68039	123	12
L65640	87	27	L66585	7	00	L67502	63	19	L68052	10	00
L65640	91	03	L66585	8	00	L67502	65	18	L68054	31	33
L65842	128	04	L66588	39	07	L67502	65	18	L68054	51	00
L65842	130	08	L66595	57	09	L67504	63	19	L68054	51	00
L65842	131	08	L66595	57	09	L67504	65	18	L68056	33	00
L65920	7	00	L66606	51	06	L67507	65	18	L68084	11	00
L65920	9	00	L66613	7	00	L67508	65	18	L68133	41	07
L65922	11	00	L66615	159	02	L67508	65	18	L68133	41	07
L65922	8	00	L66615	161	01	L67574	59	23	L68134	41	07
L65924	7	00	L66615	161	01	L67575	59	17	L68135	41	07
L65925	10	00	L66615	163	08	L67575	59	17	L68148	39	03
L65926	9	00	L66615	166	01	L67578	51	16	L68149	39	04
L65927	11	00	L66675	39	06	L67589	53	17	L68151	39	02
L65927	7	00	L66679	39	05	L67607	55	18	L68156	39	29
L65927	7	00	L66709	53	22	L67616	45	12	L68156	39	29
L65927	8	00	L66736	33	11	L67616	51	05	L68171	41	08
L65927	9	00	L66753	105	01	L67617	57	01	L68182	41	12
L65927	9	00	L66753	134	01	L67626	57	01	L68185	41	13
L65928	11	00	L66753	27	15	L67628	39	18	L68186	41	27
L65928	7	00	L66753	27	15	L67629	39	22	L68192	41	06
L65929	11	00	L66780	95	14	L67630	39	20	L68193	41	26
L65930	11	00	L66782	95	13	L67638	39	08	L68200	41	22
			L66783	95	12	L67655	39	16	L68205	41	15

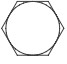
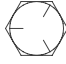
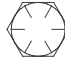
Part No.	Page No.	Ref. No.	Part No.	Page No.	Ref. No.	Part No.	Page No.	Ref. No.	Part No.	Page No.	Ref. No.
L68210	41	21	L68438	15	01	L68694	107	12	L68815	107	05
L68239	109	22	L68439	19	10	L68694	111	11	L68815	107	23
L68239	119	02	L68447	19	00	L68694	127	00	L68815	119	05
L68239	119	03	L68447	33	01	L68695	93	14	L68815	123	07
L68239	123	02	L68447	37	00	L68696	93	24	L68816	107	04
L68239	123	03	L68448	19	00	L68697	93	08	L68816	107	24
L68239	123	07	L68449	23	21	L68711	103	05	L68816	119	06
L68239	123	08	L68449	41	00	L68711	105	05	L68816	123	08
L68268	41	00	L68451	39	21	L68711	133	00	L68817	107	08
L68274	39	31	L68459	19	08	L68713	103	01	L68817	119	09
L68276	39	27	L68460	19	00	L68713	134	01	L68824	111	04
L68277	39	28	L68461	39	18	L68713	25	13	L68831	166	02
L68280	27	09	L68463	39	08	L68714	124	01	L68849	63	01
L68281	27	00	L68463	39	08	L68714	99	04	L68866	41	21
L68288	39	01	L68465	15	09	L68744	93	01	L68875	63	19
L68295	10	00	L68466	15	03	L68762	95	01	L68876	115	13
L68296	59	18	L68467	39	00	L68763	45	21	L68876	63	27
L68304	49	11	L68468	19	00	L68763	99	25	L68878	115	12
L68310	41	10	L68510	13	09	L68772	25	05	L68878	63	02
L68313	101	28	L68510	23	22	L68773	25	14	L68881	115	09
L68313	130	00	L68513	10	00	L68774	25	00	L68882	115	10
L68315	13	09	L68516	55	06	L68775	111	01	L68884	63	19
L68315	23	22	L68517	55	07	L68775	137	00a	L69166	51	05
L68331	161	00	L68529	57	01	L68777	33	00	L69718	37	10
L68331	163	14	L68531	59	23	L68777	41	00	L69718	51	18
L68337	161	16	L68533	59	17	L68778	107	25	L69734	63	18
L68346	87	01	L68539	53	25	L68778	111	10	L69734	67	37
L68347	23	19	L68539	53	25	L68778	123	05	L69747	103	05
L68348	121	07	L68544	57	12	L68783	125	01	L69747	105	05
L68348	91	20	L68562	59	09	L68783	99	16	L69747	133	01
L68350	91	01	L68563	59	19	L68784	13	09	L69920	99	08
L68351	119	01	L68571	51	03	L68784	23	22	L70146	47	09
L68351	123	01	L68580	53	20	L68794	115	06	L70200	49	07
L68352	121	11	L68588	59	08	L68801	89	09	L70242	91	02
L68352	121	12	L68591	37	11	L68802	99	09	L70468	55	06
L68353	109	16	L68591	51	20	L68803	99	19	L70495	147	11
L68356	121	08	L68592	37	09	L68804	111	12	L70495	153	10
L68357	109	18	L68592	51	19	L68804	99	12	L70649	19	22
L68358	91	19	L68595	51	16	L68805	103	15	L71066	144	01
L68363	109	28	L68595	51	16	L68805	111	13	L71392	13	08
L68363	121	13	L68596	51	15	L68805	99	20	L71392	17	02
L68364	109	26	L68604	51	23	L68806	107	22	L71392	21	09
L68364	121	14	L68614	51	21	L68807	107	17	L71393	13	08
L68369	109	15	L68619	45	14	L68807	117	08	L71393	17	02
L68370	109	10	L68619	51	05	L68808	107	18	L71393	21	09
L68371	109	11	L68638	31	06	L68808	117	09	L71394	19	22
L68372	109	03	L68638	33	17	L68809	107	19	L71637	59	24
L68373	109	02	L68641	35	37	L68809	107	20	L72175	45	13
L68374	119	20	L68643	55	18	L68809	115	07	L75020	53	20
L68374	119	21	L68649	95	01	L68810	111	09	L75906	45	00
L68375	119	20	L68650	93	01	L68811	111	08	L75906	51	05
L68375	119	21	L68651	57	09	L68812	111	07	L75956	37	05
L68376	123	13	L68671	11	00	L68813	99	21	L75956	39	00
L68376	123	14	L68672	11	00	L68814	107	02	L76020	53	19
L68377	123	13	L68673	11	00	L68814	107	03	L76084	53	01
L68377	123	14	L68674	11	00	L68814	121	13	L81690	45	14
L68437	15	04	L68675	11	00	L68814	121	14	L82358	165	10




Part No.	Page No.	Ref. No.	Part No.	Page No.	Ref. No.	Part No.	Page No.	Ref. No.	Part No.	Page No.	Ref. No.
L94746	51	00	L97889	157	10	L98373	67	47	L98427	81	07
L96580	127	16	L97956	87	27	L98373	69	22	L98428	81	08
L96838	155	10	L97959	130	10	L98374	69	23	L98429	85	01
L96851	137	06	L97959	131	10	L98375	69	03	L98430	65	13
L96851	139	04	L98042	137	08	L98376	69	11	L98430	83	11
L96852	137	02	L98044	137	04	L98377	69	06	L98430	85	02
L96853	137	03	L98318	67	25	L98378	77	01	L98431	85	03
L96911	139	05	L98318	71	23	L98378	79	01	L98432	85	04
L96920	139	02	L98318	73	07	L98379	77	02	L98433	85	05
L96923	139	18	L98319	71	25	L98379	79	02	L98434	85	06
L96924	139	20	L98320	71	26	L98380	75	04	L98435	85	07
L96928	137	21	L98321	71	20	L98380	77	03	L98436	85	08
L96928	139	21	L98322	71	21	L98380	79	03	L98437	85	09
L96929	139	25	L98323	71	19	L98381	77	04	L98438	85	10
L96931	139	28	L98324	71	16	L98381	79	07	L98439	85	11
L96932	139	26	L98325	71	17	L98382	79	05	L98440	85	12
L96933	139	09	L98331	71	14	L98383	79	06	L98441	85	13
L96989	53	02	L98332	71	15	L98384	79	10	L98442	85	14
L96993	137	09	L98333	71	18	L98385	79	09	L98443	65	09
L96994	137	13	L98334	71	22	L98386	79	08	L98444	132	01
L96995	137	14	L98335	71	24	L98387	79	11	L98444	65	13
L96997	137	31	L98336	71	27	L98388	79	04	L98445	132	01
L96999	137	16	L98337	71	27	L98389	79	12	L98445	65	13
L96999	139	16	L98338	71	01	L98390	79	13	L98473	130	06
L97041	139	08	L98339	71	02	L98391	77	14	L98473	131	06
L97042	139	12	L98341	71	03	L98392	77	13	L98494	141	03
L97134	69	10	L98342	71	05	L98393	77	12	L98495	141	01
L97135	69	10	L98343	71	06	L98394	75	21	L98495	143	01
L97299	130	11	L98344	71	07	L98394	77	11	L98496	141	04
L97299	131	11	L98345	65	17	L98395	75	20	L98497	141	05
L97489	1	00	L98345	71	08	L98395	77	10	L98498	141	06
L97489	45	03	L98346	71	09	L98396	75	19	L98500	128	05
L97489	45	04	L98347	71	10	L98396	77	09	L98500	130	05
L97579	137	23	L98348	71	11	L98400	77	08	L98500	131	05
L97579	139	23	L98349	71	12	L98401	77	08	L98502	128	06
L97580	137	24	L98350	71	13	L98404	75	17	L98503	147	01
L97580	139	24	L98352	69	01	L98404	77	06	L98506	147	12
L97581	137	25	L98353	69	02	L98405	77	06	L98507	147	05
L97582	137	33	L98354	69	04	L98406	75	17	L98509	147	10
L97583	137	17	L98355	63	23	L98406	77	06	L98511	155	01
L97584	137	20	L98355	67	16	L98407	77	06	L98513	151	04
L97585	137	19	L98355	69	05	L98414	77	07	L98513	155	04
L97585	139	19	L98356	69	07	L98415	77	07	L98516	155	06
L97631	137	32	L98360	69	08	L98416	79	14	L98517	155	11
L97631	139	27	L98361	69	09	L98417	67	31	L98518	149	01
L97633	139	02	L98363	69	12	L98417	73	01	L98519	149	08
L97634	139	01	L98364	69	13	L98417	81	02	L98520	149	02
L97654	129	01	L98365	69	14	L98418	81	01	L98521	149	10
L97656	145	03	L98366	69	15	L98419	81	03	L98522	149	04
L97657	145	02	L98367	69	16	L98420	81	04	L98523	149	05
L97658	129	02	L98368	69	17	L98421	81	05	L98524	151	01
L97658	145	04	L98369	69	19	L98422	65	10	L98527	151	10
L97665	124	03	L98370	69	18	L98422	81	06	L98528	151	05
L97671	134	02	L98371	67	07	L98423	81	10	L98529	151	06
L97889	147	11	L98371	69	20	L98424	81	11	L98532	135	01
L97889	149	09	L98372	67	07	L98425	81	09	L98533	135	02
L97889	153	10	L98372	69	21	L98426	81	12	L98534	135	02

Part No.	Page No.	Ref. No.	Part No.	Page No.	Ref. No.	Part No.	Page No.	Ref. No.	Part No.	Page No.	Ref. No.
L98535	135	06	L99009	124	03	L99448	39	00			
L98536	135	05	L99010	39	11	L99449	37	00			
L98537	135	07	L99076	59	00	L99454	29	02			
L98543	135	04	L99124	39	22	L99476	1	00			
L98545	153	01	L99135	91	00	L99515	155	05			
L98547	147	03	L99137	13	02	L99639	69	24			
L98547	153	04	L99141	39	00	L99654	39	00			
L98548	153	11	L99161	51	21	L99847	39	00			
L98550	147	06	L99163	45	02	L99857	147	04			
L98550	153	06	L99168	157	01	L99857	149	03			
L98551	153	12	L99169	157	03	L99857	151	03			
L98555	59	00	L99170	157	12	L99857	153	03			
L98556	6	00	L99171	157	05	L99857	155	03			
L98557	6	00	L99174	157	06	L99857	157	04			
L98558	155	12	L99175	157	07	L99863	8	00			
L98565	132	02	L99182	59	00	L99866	153	05			
L98565	65	13	L99184	1	00	L99907	133	04			
L98568	45	03	L99184	59	27	L99925	125	03			
L98600	1	00	L99186	130	12	L99927	125	03			
L98600	51	00	L99188	69	16	L99928	125	02			
L98601	1	00	L99192	159	01	L99929	125	02			
L98601	51	00	L99193	159	01	L99969	65	09			
L98602	1	00	L99194	130	01	L99978	1	00			
L98602	51	00	L99194	131	01	L99978	51	00			
L98604	143	02	L99196	35	37	L99980	95	01			
L98605	141	02	L99200	130	02	P470079	35	08			
L98647	55	04	L99200	131	02	P47135	109	27			
L98649	55	04	L99201	130	03	P47135	121	15			
L98677	55	02	L99201	131	03	P471370	63	05			
L98678	55	01	L99202	130	04	P471997	125	04			
L98700	89	01	L99202	131	04						
L98700	97	01	L99203	71	30						
L98709	35	00	L99204	49	12						
L98726	57	11	L99205	49	13						
L98786	27	04	L99213	71	29						
L98787	27	07	L99224	163	05						
L98863	6	00	L99225	163	05						
L98864	6	00	L99237	165	01						
L98864	8	00	L99314	15	09						
L98877	143	03	L99315	17	10						
L98887	127	18	L99316	21	10						
L98891	127	01	L99317	21	12						
L98895	127	05	L99318	21	07						
L98895	127	19	L99319	21	01						
L98896	127	09	L99320	37	02						
L98897	127	09	L99321	37	00						
L98898	127	09	L99323	21	09						
L98899	127	10	L99324	15	13						
L98921	157	06	L99325	15	09						
L98972	71	28	L99405	147	07						
L98973	71	04	L99405	149	06						
L98996	69	23	L99405	153	07						
L98997	69	02	L99420	1	00						
L98998	69	03	L99420	51	00						
L99002	134	02	L99425	27	09						
L99007	91	00	L99433	53	02						
L99008	91	00	L99434	57	11						

Torque Specifications

Use these torque values when tightening GEHL hardware (excluding: Locknuts and Self-tapping, Thread-forming and Metal Screws) unless otherwise specified.

Unified National Thread	Grade 2 		Grade 5 		Grade 8 	
	Dry	Lubed	Dry	Lubed	Dry	Lubed
8-32	19*	14*	30*	22*	41*	31*
8-36	20*	15*	31*	23*	43*	32*
10-24	27*	21*	43*	32*	60*	45*
10-32	31*	23*	49*	36*	68*	51*
1/4-20	66*	50*	9	75*	12	9
1/4-28	76*	56*	10	86*	14	10
5/16-18	11	9	17	13	25	18
5/16-24	12	9	19	14	25	20
3/8-16	20	15	30	23	45	35
3/8-24	23	17	35	25	50	35
7/16-14	32	24	50	35	70	55
7/16-20	36	27	55	40	80	60
1/2-13	35	35	75	55	110	80
1/2-20	40	40	90	65	120	90
9/16-12	55	55	110	80	150	110
9/16-18	60	60	120	90	170	130
5/8-11	75	75	150	110	220	170
5/8-18	85	85	180	130	240	180
3/4-10	130	130	260	200	380	280
3/4-16	150	150	300	220	420	320
7/8-9	125	125	430	320	600	460
7/8-14	140	140	470	360	660	500
1-8	190	190	640	480	900	680
1-14	210	210	710	530	1000	740

Metric Course Thread	Grade 8.8 		Grade 10.9 		Grade 12.9 	
	Dry	Lubed	Dry	Lubed	Dry	Lubed
M6-1	8	6	11	7	13.5	10*
24M8-1.25	19	14	27	20	32.5	24*
M10-1.5	37.5	28	53	39	64	47
M12-1.75	65	48	91.5	67.5	111.5	82
M14-2	103.5	76.5	145.5	108	176.5	131
M16-2	158.5	117.5	223.5	165.5	271	200

* All torque values are in lb-ft except those marked with an * which are in lb-in.
For metric torque value (Nm) multiply lb-ft x 1.355 or lb-in value x 0.113.

GEHL®

GEHL Company 143 Water Street, P.O. Box 179, West Bend, WI 53095-0179 U.S.A