

# Radiant Energy and OverUnity

Version 5.1 – July 2005

Dan Combine

## INDEX

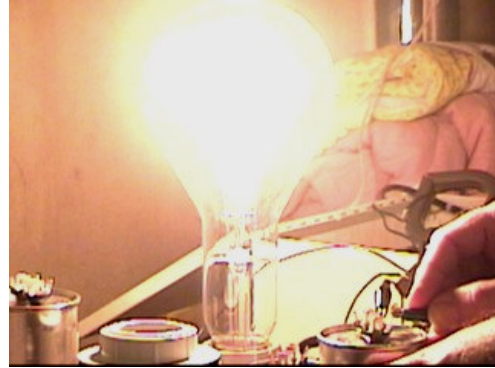
|          |  |           |
|----------|--|-----------|
| <b>1</b> | <b>Introduction.....</b>                           | <b>2</b>  |
| <b>2</b> | <b>Theory of RE phenomenon and OverUnity .....</b> | <b>3</b>  |
| 2.1      | Learning.....                                      | 3         |
| 2.2      | Researchers.....                                   | 3         |
| 2.3      | Theory of operation .....                          | 4         |
| 2.4      | Homopolar transformer.....                         | 9         |
| 2.5      | Magnetic attraction .....                          | 10        |
| 2.6      | About Cores.....                                   | 10        |
| 2.7      | Levels of transformation.....                      | 12        |
| 2.8      | Electron Spin .....                                | 13        |
| 2.9      | Load & battery circuits .....                      | 13        |
| 2.10     | Capturing or extracting .....                      | 14        |
| 2.11     | Controlling.....                                   | 17        |
| 2.12     | Positive Bias .....                                | 18        |
| 2.13     | The Cornu spiral (or Euler’s spiral).....          | 18        |
| <b>3</b> | <b>Practical Applications.....</b>                 | <b>19</b> |
| 3.1      | Rotoverter .....                                   | 19        |
|          | Overview of Operation .....                        | 19        |
|          | What you need.....                                 | 20        |
|          | In practice .....                                  | 20        |
|          | The roll of impedance .....                        | 24        |
|          | Efficiency and Torque .....                        | 24        |
|          | Hectors RV tests.....                              | 25        |
|          | Hectors RV example with light bulbs.....           | 27        |
|          | Next steps and trials.....                         | 29        |
|          | Looping the RV .....                               | 30        |
|          | RV with Permanent Magnet rotor Alternator .....    | 31        |
|          | PM Multi-phase dynamotors .....                    | 33        |
|          | Micro-energetic cyclo-conversion .....             | 34        |
|          | Further considerations .....                       | 35        |
|          | Examples of RV replication.....                    | 37        |
| 3.2      | Transverter.....                                   | 38        |
|          | Overview of Operation .....                        | 38        |
|          | Example.....                                       | 41        |
|          | Ferro-resonance .....                              | 42        |
| 3.3      | Reactor Core .....                                 | 43        |
| 3.4      | Kone pulse motor.....                              | 43        |
| 3.5      | JM Pulse Charger.....                              | 46        |
| 3.6      | Positive-bias inverter .....                       | 47        |
| 3.7      | Relation to Testatica, VTA, crystals, .....        | 48        |
| <b>4</b> | <b>Summary .....</b>                               | <b>49</b> |

# 1 Introduction

This document describes the Radiant Energy as discovered by N. Tesla, and further used by researchers like E. Gray. It covers the principles of generating RE, as well as several practical applications. In proper tuning conditions, this energy can be tapped and overunity can be achieved.

The RE (Radiant Energy) phenomenon itself occurs when a RLC circuit has the appropriate impedance, is in resonance and when a standing wave is created. Because of the L (inductor) and C (capacitor), there is a 90° phase shift between V (voltage) and I (current in Ampere) vector.

Example: the picture to the right shows a 230V-1,000W bulb lighted under pure resonance as ampere-load where the filament runs within standing wave current node as a single potential vector. The voltage drop being minimal, in this case was 19.8 VAC.



Free energy and overunity are a TRANSFORMATION. We can learn its tricks and have all the free energy we want. But first current art must be perfected. You can't get free energy from something that wastes 90% of it, like standard non-loaded motors, prony-braking it to death (detuning) or low impedance magnetically mismatched power generators 57% efficient. So importance here is to create OU states (Radiant Energy), "already done" in RV alternator. Then use this energy in applications, understanding its intricate effects and phenomena.

RV mode of operation permits to quantify other devices as TURBINE development (Implosion Turbines ) once the turbine starts its endothermic energy transform, RV works as asynchronous or RV alternator-generator.

This document is an interesting compilation of the principles, rules and mechanics involved. It gives also a practical guideline for the serious researcher in this domain, as the results explained in this document have already been achieved and demonstrated by several 'replicators'.

For more information on AC, RLC circuits, resonance, Power Factor... please refer to the following websites:

- <http://www.ibiblio.org/obp/electricCircuits/AC/index.html>
- <http://hyperphysics.phy-astr.gsu.edu/hbase/electric/serres.html>
- <http://hyperphysics.phy-astr.gsu.edu/hbase/waves/standw.html>

*All information is public domain, copyright © by ARK Research, unless otherwise stated.*

*The following are references to the first RV system disclosures by ARK Research:*

- *RV looping - Predates to 1983-84 period; one of the 16 methods is at Don Adsitt's site; <http://www.theverylastpageoftheinternet.com/ElectromagneticDev/arkresearch/rotoverter.htm>*
- *RV -Ecklin-brown prime mover: Concept 1980; built 1983-84 SLC Utah US (looped);*
- *1987 Macro electric open 100w to 1kw asynchronous mode generation;*
- *1997 full disclosures on the internet; 1999 reposting as sites were removed, blocked & cut down;*
- *many internet postings done on magneto-transistor concepts, Recovery Diode concepts, transformation postulate for OU; all predating MEG, Newman and Bedini ones;*

*Applying the RV effect does not constitute the right to patent as the Roto-Conversion RV effect is a free domain application to such machine mode of operation in OU states. Any patent based on Roto-Conversion theory can be challenged. For further and updated information, please refer to the EVGRAY Yahoo group and many of the specific postings by Hector D Peres Torres of ARK Research.*

*The date of this document is only indicating when this document has been compiled, not when the information has been publicly disclosed.*

**Any update in this document is marked in the left margin:**  
- with a 'zig-zag' vertical line for updates since v4  
- with a dashed vertical line for updates since v3

## 2 Theory of RE phenomenon and OverUnity

### 2.1 Learning

Use RV as R&D tool first, to attain those LOW LENZ PM-Coil energy pump generators live. Use RV alternator to GENERATE RE and learn its secrets to apply later in vitro. Transfer lab experience to standard hardware applications.

RV effect, Rotary Roto-Conversion and transverter plugs are part of a mayor development. First was given the instrument and test tool (RV prime-mover) to be used to quantify whatever loading you desire to test in its range, especially to design OU generators. Then was given the key of RESONANCE for radiant energy generation in RV alternator concept, using reverse induction.

As you learn what ZPE is and the circuit meanings, you can CONVERT any inverter to a ZPE device using pulse-length & frequency tuning under a POSITIVE biasing modification.

C charge in x resistance determines power in N time, leading to saturation of Z core and LC in any given circuit, opto trigger, non-coupled. It's the Hypersignal modulation that extracts power from "ZP" (stochastic resonance applies). It's a very different ballgame, which requires a total rethinking of normal electric concepts, seeking to do the reverse of what standard engineering does in many applications.

RV or TV: One complements the other, as reading about MEG, VTA, Newman & Bedini (will OPEN your eyes - it's a start) and experimenting with such things as Magnetic Interrupt concept "Magneto transistor" & others.

I recommend you to study Power Factor theory, Magnetic amplification, Phasors, rotary angle power-voltage relations, rotary capacitor power factor engines; the statements will become clear as where the OU energy is. As you reach a point where there is a shift toward higher understanding on next level, Hector will include more variable solutions to the problems you encounter as they are realized in vitro as real tangible non deniable facts. What Hector revealed is tailored to be only understood by those doing the experiments and having the spiritual RIGHT brain development ADD , Indigo mentality to deal with the abstract aspects of the remaining occult formulations (in reality all the time in plain view).

The right start is ENERGY saving devices. As the art is improved, the result will be overunity (transform). The RV is based on off the shelve devices. Converting from standard frames to RV concept is easy, once you know the theory and its application. As generator it is used to generate resonant power, "radiant energy" by means of reverse induction (again using off the shelve devices).

Step By step the knowledge is acquired ... reason for the RV tool in first place. Learn to produce radiant energy and how it manifest in the rotoconversion effect, impedance match in power engineering applications using 3rd generation technology (energy saving) and EMA R&D.

### 2.2 Researchers

Nikola Tesla's Magnifying Transmitter, T. Henry Moray's Radiant Energy Device, Edwin Gray's EMA Motor, and Paul Baumann's Testatika Machine all run on radiant energy. This natural energy form can be gathered directly from the environment (mistakenly called "static" electricity) or extracted from ordinary electricity by the method called "fractionation."

Since many years Hector D Peres Torres of ARK Research is doing practical research on systems demonstrating OU and radiant energy, and extracting energy from the environment through various levels of transformation. He released the information on the Rotoverter, Transverter, and the way to attain overunity.

Radiant energy can perform the same wonders as ordinary electricity, at less than 1 percent of the cost. It does not behave exactly like electricity, however, which has contributed to the scientific community's misunderstanding of it.

Dr. Robert Adams of New Zealand has developed astounding designs of electric motors, generators, and heaters that run on permanent magnets. One such device draws 100 watts of electricity from the source, generates 100 watts to recharge the source, and produces over 140 BTU's of heat in two minutes!

Dr. Tom Bearden of the United States has two working models of a permanent magnet-powered electrical transformer. It uses a 6-Watt electrical input to control the path of a magnetic field coming out of a permanent magnet. By channeling the magnetic field, LATCHING it from a central path side to side into 3PH transformer alike configuration were the centre core is replaced by a PM (Permanent Magnet ) a pair of coils latch the field from one core path to the other alternatively generating alternate pulsing power . The device can produce a 96-

Watt electrical output with no moving parts. Bearden calls his device a Motionless Electromagnetic Generator, or MEG.

Jean-Louis Naudin has duplicated Bearden's device in France. The principles for this type of device were first disclosed by Frank Richardson of the United States in 1978.

Troy Reed, also of the United States, has working models of a special magnetized fan that heat up as it spins. It takes exactly the same amount of energy to spin the fan whether it is generating heat or not.

Beyond these developments, multiple inventors have identified working mechanisms that produce motor torque from permanent magnets alone. Magnetism is a flux, like any flux it can be tapped. The most promising are magnetic latching and modulation.

## 2.3 Theory of operation

The RE (Radiant Energy) phenomenon itself occurs when a RLC circuit has the appropriate impedance, is in resonance and when a standing wave is created. Because of the L (inductor) and C (capacitor), there is a 90° phase shift between V (voltage) and I (current in Ampere) vector.

With theoretical ideal components, the signal decay is 0, and the resonance does not fade out. In reality no component is ideal (all of them have some resistance), as such the impedance resistive will never be 0, but the lower the better. As RE (Radiant Energy) is RF, we need a deep knowledge in RF practice, resonance Q, antenna multiplication factors, dipole dynamics, standing wave theories, thermodynamic delta transform & others. It's an electrical equivalent of the acoustics (sound) laws.

In any coil an "n" potential is required to saturate a core, the thermal energy as the core Atoms align magnetically and are added to the alignment tensor. As the field collapses, the temperature drops and passes its energy to the collapsing field E vector. As such overunity transformation occurs. This is for VTA type transformation, applicable to EMA-RV.

N is the value as potential, that means a Pulse or wave of specific duration (pulse length or frequency of given potential "Voltage"), with a given current capacity is determined by a Volta amplitude signal Pulse or sinewave of given frequency or length.

- 1) A source impedance
- 2) B load impedance

as to create a condition where energy from the source is at optimal efficiency and imparts energy to the load where LOAD CORE in this case attains maximal state of energy being the case of magnetic saturation.

The shifting of atomic components electron spin to magnetic alignment being so as to transfer energy from thermal ambient background energy by means of magnetic LATCHING or stochastic linear amplification.

As such making possible the collapse of it to attain energy from the thermal region of such core & summing it to the energy released in the collapse of the field into another LOAD being a capacitor or recovery means, electronic, mechanic or thermal, whatever.

RE manifests at V=0 node; I=max (current node) = pure resonance = Radiant energy = RF, where the Power Factor PF = 0 at resonance. Such loads are measured in Ampere Load (AL) TENSOR value, not voltage as there is (nearly) none. Voltage "radiant" is measured in Elektron Volt, 'elektron' with K as its potential is a WAVE and not a mere particle. RF is the ROOT of ZPE as you truly will use either 0 current states or 0 voltage states standing wave nodes within a standing wave in a LRC circuit. We are talking about virtual power 4d tensor SCALAR standing waves (created with a reverse inductor "rotor" within 3PH self oscillating LC configured motor). At PURE resonance PF is trashed and becomes irrelevant to the source.

So RF is determined by the angle of current and voltage, (0) power factor 90 deg angle relation. When the current = 0, the voltage is maximal; when voltage = 0, the current is maximal in a PERFECTLY resonant LC. In 3 PHASE this can manifest within 45 to 90 degrees angle, being differential the phasor or angle of rotation relative as POWER factor figure (what differentiates it from powerline AC). Any signal with a 0 power factor figure is RF (radiant) energy. Use a scope to measure the current versus voltage angle.

See [http://www.ibiblio.org/obp/electricCircuits/AC/AC\\_6.html](http://www.ibiblio.org/obp/electricCircuits/AC/AC_6.html).

You will see further that this POWER is in the alternator part of the RV.

NODE: A point defined within a sine wave, be it voltage or current where such potential manifests in a physical object as antenna section, dipole, LC, R or any circuit component or structure. For further details, look for Antenna design & resonance.

STANDING WAVE: a wave oscillating contained within a predetermined space or structure containing current node and voltage node.

The Primemover is Broadbanded signal NON RF potential that TENDS to RESONATE as LOADED while maintaining a 120° angle of rotation within A,B,C phases being generated. The relation is SEMY resonant, if not full resonant as a variable within a set of parameters.

The Standing wave, as per RF, results from pure resonance where a current AC node is separated from a VOLTAGE radiating node being polarised as standing wave regions, where one is node & the other anti-node. In one we have a 0 point region (electron Vacuum), in the other we have electron aether density accumulation as compression tensor. It can also be defined as HOT ionizing and cold anti ion region.

In low impedance OU goes unnoticed, as it is lost to resistance and impedance mismatch, but at HI impedances the amplification effect becomes evident. The SECRET to PURE magnetic amplification is the HI impedance factor found in "Roto-conversion". This is one of the factors that create Over-unity. OU is in resonance; the higher the Q the closer to self sustaining within proper elements. In RESONANCE power can be EXTRACTED, even if theory says PF is 0 and power does not exist (but is there). COLD electricity is under RESONANT conditions (Tensor) nodes. Add to it permanent magnet rotors and PF correction in hi impedance mode, it becomes an EMA device.

Pure RE penetrates motor housing extending field outside it; it radiates from transformers and from Faraday cage medium. Be also careful, because the 'water is confused for the waves' but the waves are not the water but only a FORCE that gives them shape and movement. So is the energy to the electrons. Energy gives them POWER to manifest in various forms but the electron themselves are not the power. Of 9 types of electricity humanity knows only 2 and has only learned to use one in its more primitive forms.

Ever read the meaning of resistance and voltage drop in a basic LRC circuit? At resonance you have 0 voltage at n amperes and x voltage at 0 amperes; L is in current node; C is in voltage node. Where is R? According to the standard theory, R as a lightbulb is in PHASE, but reality is that R is at 90% REACTIVE state being at CURRENT NODE, so the energy loading a 220 VAC 1,000W lightbulb might just have a voltage drop of 19V and amperage of 4.5 A. Why does it light up at full potential?

Take a coil and energize it with a given load, place a reverse diode in the input; just discharge the circuit by disconnecting the source, your bulb will BURN with the CEMF pulse. That was the real discovery Newman made, but never realized what it was. Hector did it in the RV alternator, very related to the apparent 'hoax' of the Genesis project, but formulation does work in rotating negative INDUCTANCE (or we may say NEGATIVE resistor), a resistance "LOAD" that provides power (a squirrel cage rotor in RV case...).

Simple LC have a DECAY value in time, the ONLY energy you need to supply is the one lost to decay, as if system source were a negative inductor to LC (as in the case of RV alternator) Normal entropy decay is .618 of 1.618 as logarithmic time receding signal (search for Seike work in ultra-relativity concepts), so gain is also in atropic system of 1.618 where frequency increase in octaves may increase amplification by a factor of 3.141592 where the spiral resonant circular projection can be expressed in a 12,000 4d polygon structure as simile to double helix DNA structure (reason human system is OU by all definitions). Remember LOGARITHMIC SPIRALS ORBITAL DECAY PATH IS RELATIVE to gravity as SIGNAL DECAY OR GAIN IS RELATIVE TO LC Q and parameters in a working ZPE system.

The AC in a LC circuit as a Tesla AC HV transformer and capacitor are OSCILLATING within a range of voltage and current, where the spark GAP determines discharges as a PULSE into the Tesla coil primary at MAXIMAL capacitor potential. AC does have a FIXED period at a , but the DEVICE parameters where we feed that power are variable: either we ADJUST device to source frequency or source frequency to device. TUNING and PHEAKING is KEY to any OU device. The concept is simple but tuning is not ... requires mad scientist malice with lots of in vitro lab experience, to tame the multiple inter-related variables (tuning).

It is well known that, to get the maximum power transfer from a source to a load, the source impedance must equal the complex conjugate of the load impedance, or:  $\mathbf{R}_s + j\mathbf{X}_s = \mathbf{R}_L - j\mathbf{X}_L$ . In addition, for efficient power transfer, this condition is required to avoid the reflection of energy from the load back to the source. This is particularly true for high-frequency environments like video lines and RF and microwave networks (RF engineering practice).

An electromagnets magnetic field strength is determined solely (without changing the ferromagnetic core material) by the number of turns in its winding times the current measured in amps flowing thru it. With that in mind consider the difference between serial resonance and anti-resonance (below).

**Series LC circuit:** Resonance = input current is maximum at resonance; Current thru drive coil windings is maximum.

**Parallel LC circuit:** Parallel Resonance/Anti-resonance = input current is minimum at anti-resonance; Current thru drive coil windings is maximum.

Now, if you were a design engineer after the maximum magnetic field strength for the least input power, which circuit would you use?

Hector is correct in saying that this is a resonant effect in the three phase rotary system and will demonstrate O/U effects when fine tuned so that  $X_C = X_L$  with very low overall resistance (R) so as to produce a very sharp resonant curve with very high "Q" (Q determines the time decay; Hi Q = low time decay per oscillation). When operating at ultra high "Q" the circuit is "lossless" and operates as a magnetic amplifier. Find "Electrical Engineering" by Terman, PhD, Dean of Engineering, Stanford University, 1955. This is one of the only text books that go into detail regarding the resonance phenomenon. It is well worth your library search for you will become highly enlightened and informed. The most important factor to consider is the circuit resistance, for this is how resonant curves are flattened or widened to establish "band width". Lump resistance inserted into a resonant circuit will reduce the "Q" and cause the resonant curve to lose the sharp tuned peak under which is the "lossless" region of the curve.

The so called "cold" electricity E-Gray talked so much about, is more like a constant canned EMP. The first step is vectoring this energy to a charge value within a capacitor where its JOULE potential exceeds the input by gaining energy from the media. What is done electrically with RV alternator is to spin the rotor squirrel cage (Reverse Inductor) inside a 3PH LC oscillator tank circuit where the effect is similar to the effect you can do by stroking a wet finger in a fine grass cup. One wave mounts to the other with the acoustic simile being magnetic multiplication factor.

Read here about Q figures and signal decay: <http://home.freeuk.net/dunckx/wireless/sparktx/sparktx.html>

AT Q34.6 the decay is .09 of the signal then all you need to sustain a RADIANT energy signal is that .09. In a system that contains multiple elements decay becomes non-reflective upon loading as resonant states are maintained. This results in magnetic amplification from the medium, stochastic amplification and thermo-magnetic energy transfer, resulting in APPARENT overunity (in true sense is OVERUNITY due to transform). In ferro-resonant metal cores, tend to LASE (laser) but electromagnetically EASER modes a lower power pumping can result in a major transfer from other energy realm.

For now use Q12, is safe & cold, as Q15 overheats & melts frames. This is REASON E.Gray used PLASTIC motor housing as his coils worked over Q15+ (Experimental)

If a low magnetic field attracts one of higher energy at a synchronous rotary angle, the stronger field ports energy to the COIL that attracts it - leading M field. (Like connecting a LOW voltage battery to a HIGHER voltage one, the one with higher voltage will charge the one with the lower one) As a magnet is attracted, its STRONGER field LEADS the COIL FIELD inducing KVARs of power to it. What is happening is magnetic amplification from the higher ROTOR M field component, all this under specific set of phasor conditions for current and voltage relative to CORE mass, impedance and frequency. The same law applies to attraction and repulsion, as energy can be gained in AMPERE flux or VOLTAGE flux (see section on magnetic attraction).

If M field poles are alike batteries, but the CONNECTION is INDUCTIVE, then the ROTARY capacitor machine in RV mode of operation CONVERTS the MOTOR magnetic ROTOR into a VIRTUAL ROTARY battery; KVARs being fed to the rotating field of stator cores (no diode needed) as long the M field is leading the M stator rotating FIELD. Whatever switching method or commutation used it is the same (virtual battery).

The strong M field will induce power in the smaller M field attracting it. That power can manifest in POWER correction alike form or as a POWERFULL CEMF pulse (EASER) but definitively the WAY to transfer magnetic energy is made by 5 basic means: mechanical movement, induction, modulation, radiation (RF), (Electronic) transformation transformers.

In RF a resistor R can become PURE L inductive & provide GAIN instead of loss. This is normal to microwave circuits and to me is also normal in LOW frequency RF circuits down to standing wave DC vectors. You will be able to eliminate the battery, as you do you will be using ANOTHER type of electric power were different phenomena will manifest, gravity - time - pk related. Just remember everything you are dealing with is a form of transformation.

Now you know why your voltage increased to OU, as you transferred power from the virtual rotary capacitor to the smaller temporarily static one (magnetized coil) and back to the source "battery". The notes on RF explain why L turns to C and C to L and R can be LC. The rotor field emulates, theoretically speaking, a capacitor. In AC engineering practice this is explained as a ROTARY capacitor effect, the M field flux acting as a capacitor to the coil, but in reality it is as explained above.

Extracting the energy requires tuning of all the involved parameters from the machine, PM magnet intensity (not more than required to saturate core), core mass and reluctance & remanance parameters as to work at the specific frequency and speed you want with best performance figures, coil impedance or impedances also to match for best condition to maximize the effect you desire.

From DC to RF (AC), law is the same! In DC this is seen as a TENSOR where the degree of phase can be determined by hall-effect reading within a metal strip a copper cross shunt with 2 extra wires for measuring "hall effect". If we were able to vary rotor magnetic intensity this reading will also vary along it.

The interesting thing is when DC is applied as & at reactive power, the current lags the voltage until it reaches unity as field collapses in unity condition (co-Phased). Current reverses and becomes LEADING in OU in the CEMF pulse, increasing the voltage back to the battery & GAINING ENERGY from PM Rotor magnetic field.

The back CEMF or EMP or time-reversed - E flow in a closed loop RESONANT TANK CIRCUIT RLC or LRC (Whatever 9 combinations you may choose) combined with the rotating energy field, to produce the Famous POWER FACTOR SURGE. That applies to ANY Circuit even to the incremental time reversed oscillations in a negative inductor.

In bifilar operation dual coil solenoid: One Coil is matched to saturate core at n potential as a pulse in T time. As core collapses the other coil recovers voltage and current plus the ENERGY gained from core thermal add on collapse (electrodynamical heat pump ) heat to electric conversion and drives it to the battery in a logarithmic curve long sinewave within a given gain.

But for matters of simplification I use the synchronous attraction mode in a 'common denominator' called 'Power Factor Correction'. Where do you think PF correction comes from? It's a fancy term to hide OU transformation attained from rotary synchronous magnetic induction. They are called rotary capacitor machines and can lower your power bill by 40% if properly designed, in full RV mode even more. Power companies penalize you for power factor. The "corrected" meter is a fallacy, its Amps-volts relation, the more amps the more you pay, the worst the voltage line loss, the more \$\$\$ you pay as your PF figure kills your motor performance and AMPS go up.

This justifies Bedini, Newman and MEG workings under unified "Rotoconversion effect". In Newman & Bedini motors we have a coil attracting a rotating magnet. Hector had explained this for more than 5 years, but Newman and Bedini stated he was wrong, insisting more on magic and far out unpractical aether theories rather than a more down to earth electromagnetic dynamics to squeeze juice out of OU phenomena.

The POSITIVE aspect of Newman WORK is the EVIDENCE this energy can be recovered and recharge a prime mover battery in a closed loop. The problems arising from this low-tech approach was the degradation of the apparatus brushes and the destruction of the battery due to the subatomic degradation of the electron pair within the battery chemistry (Related to reverse time tachion currents (Kapa)) or as normally referred to - energy or "radiant energy".

Build the machine as Konzen did. Apply to PM rotor RV 3 PH motors; then we can work on were the magnet energy is extracted from and how is transformed to M field that produces the KVARS, inducing OU transform in the Stator Coils of RV PM motor/generator mode machines or in solid state Self inductor pulsed coils. As theory states, such energy transfer must lower the coil and rotor thermal temperatures and contract the electron spin orbit closer to atom nucleus "micro atomic K cooling". We have to go deeper into the solid-state class C magnetic amp & magneto-transistor concepts also. And if paranormal & exotic anti gravity effects do occur, we can solve those issues as they occur.

Radiant Energy as in a WAVE, passes a SOLID creating a CHARGE (Gray tube); the emitter must have the same mass as the receiver, such wave is non reflective (related to RF, related to antenna resonant elements, related to EASER modes). Electrons are the MEDIA, ball lightning is created when a WAVE pushes out electrons from a metal conductor (see X-ray lasers) & relate to RF pumping and X-ray tubes.

The spark gap burst is a series of discharges at hi impedance; as a coil discharges across a gap its voltage drops to 0, re-gausses again, then drops to 0 again in a fast speed linear RF burst where the coil acquires energy from magneto-thermal regions. Such re-gaussing occurs as current NODE rolls into gap region, hi resistance & cut-off occurs, then node rolls to voltage region where voltage re-ionizes gap in stepped discharges ... see B. Perrault theory on ion tubes where stochastic resonance (= co-phasing and transforming energy) from radioactive elements can add up to sustain an LC resonant mode porting energy to it.

Remember aether energy is contained in the alignment of atoms creating the magnetic field flux that acts as simile of electron flow emanating from opposed 2 high voltage sources.

In the atom we have horizontal electron spin. As they align magnetically, the spiral flux of the gravity aether flow toward the centre of atom mass imparts its energy to the electron spin orbit and atom spin orbit "Electron rotation" and maintain the Electron Orbit energy level. The internal spin of the NUCLEAR FORCE then transfers the gravity tensor by means of transformation to the 4D VERTICAL tensor where it flows as N S pole magnetic + - Delta Vectors AETHER flow. This can be seen as sub-particles, as VITRON & wavicles are discovered by science in a near future where energy is seen as transformation phenomena in a wide gamma of

forms (9 to be specific). These concepts start to deal with Elektron transform which cover basic current knowledge of electricity (first one - 8 more to go).

As there are 3 primary colors from basic white and 3 sub-color mixes there are 3 manifestation forms for every form of energy and 3 mixed forms of them, every 2 interacting forces create a third; this third transforms the initial 2 into a triad manifest x, y, z; this create 4d tensors delta, epsilon and gamma transferring projection from vertical to horizontal trans-dimensional plane. The nautilus spiral "logarithmic" defines this very well as the dual spiral projections of the sunflower form projecting from the centre of the flower (the answers are all written over in nature).

Where is OU?

- Power factor rotary Condensers
- Synchronous motors
- Resonant transformers
- Rotophase Converters
- HI Q LC resonant Coil
- PM Motors
- How they are made non-OU? : Impedance Mismatching
- How they are made OU? : Hi impedance and hi Q modes looking for proper impedance matching and power transformation relation.

The simple design is the barrier of the mind that OU is in a simple coil and in a simple capacitor blows the minds of the experts. Upon experimenting the effect on switched LRC systems, you will find the simple truth. Help keep it FREE and unbound for all. OU is there and has been in there unseen too much time, so let's use it and demonstrate its reality. In LC Resonant circuitry, C value is ALWAYS OU. Begin with Testatika "Capacitive Interrupt Generator" and end with RV, OU is in RESONANCE, and the magnetic- thermal stochastic transforms within the systems. (Hector July 20 2003).

Hector always stated that there is magnetic amplification in PHASE CONVERSION and in POWER FACTOR CORRECTION. This is Public Domain info from ARK Research. All patents & technology on rotary capacitors converters had expired. Applying RV effect does not constitute right to patent, as Roto-Conversion RV effect is a free domain application to such machine mode of operation in OU states. Any patent based in Roto-Conversion theory can be challenged. In RV Hector tailored to use this phenomena in standard non modified hardware as to keep RV as a COPYRIGHT intellectual property, as is an electrical effect, a phenomena that can be used to obtain hi eff% from any properly modified electrical apparatus.

Patents based in erred theory are obsolete; rights are valid only as per their physical construct and design of such. But RV theory Resonance & magnetic Amplification and all related applications are free domain. Re-patenting devices under public domain RV concept can be challenged as copyright intellectual property theft punishable with 25 years of mandatory jail sentence and or \$250,000 fines.

## Samples

An idle motor uses 10 HP (load or no load). In RV mode it uses 2 HP, as a Rotary condenser it is able to pull a 10 HP Magnetic field in the rotor toward the Prime mover 2 HP rotary field. The power in this field will increase 50 times returning to source as KVARs. (<http://www.pscpower.com/pages/series%20sc.htm>)

Term- Hyper-modulation, where a carrier wave is 1W but the overall capacity of power increase is 50W amplification applied to FIELD dynamics, treating Magnetic field as Class C amplifier power source. The mass "magneto-atomic resonance" is what makes class C magnetic amplification possible.

Call it a Rotary linear Amplitron Magnetic Amplifier in case of combined pulse motor RV PM motor generator, (RLAMA).

Another example is to take apart a 3PH air conditioning motor, you can rewind the stator more easy (as it uses no paint or epoxy) into a bifilar 3PH hi impedance. Built a PM rotor as to have at anytime a 90deg vector attracting PM rotor POLES toward EM stator ones. As these are approached, the PM field being stronger will add energy to the EM coil and CHARGE battery or capacitor supplying it.

Factor to attain OU are: firing 3 rotor coils in proper relation to attraction angle maintaining the PM induced VOLTAGE leading battery current (reversing it) - 0 current goes to "0" = <0. Use 3-phase diode bridge for recovery.

EASER (Electrical Amplification by Secondary Emission of Radiation) energy pump: to get OU transformation, all you need is to find the specific natural EASER frequency for your particular core & wire combination.



On metering, digital will read as well as analogue if you use a voltage drop resistor (50k, 500k, 1M are OK; 1/2 W carbon type) parallel to input lines; hi V use 10Mohm. You can make your own shunts using copper strips, width & length & gauge determines AC or DC MV output at desired "terminal" location.

<http://www.uoguelph.ca/~antoon/circ/circuits.htm>

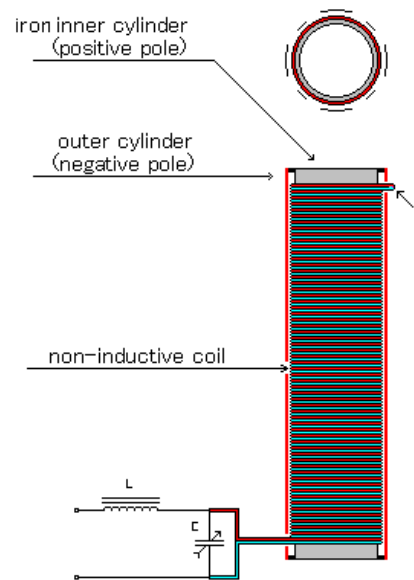
[http://www.allaboutcircuits.com/vol\\_6/chpt\\_3/11.html](http://www.allaboutcircuits.com/vol_6/chpt_3/11.html) (many metering Projects here)

## 2.4 Homopolar transformer

The Radiant energy can be transformed using special homopolar AC transformers, related to Gray Tubes. Homopolar transformers are no other thing than a cylinder inside a cylinder (long pipes of same mass coaxially placed one inside the other with no electrical contact as to use the Radiation RF, aka "Radiant Energy", to induce in the second external pipe an exact field of the first provided is matched to within a gamma, beta or delta RF matching to the secondary radiant energy circuit. More formulations needed for the AC Homopolar transformer, as distance is also critical proportional with the relative density match. At this point without a firm lab experience, they are useless until concepts are demonstrated in vitro adjusted to physical realm.

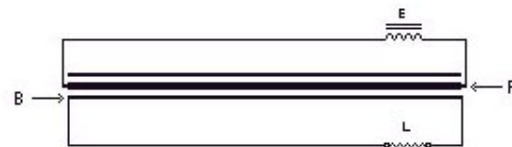
You could extract up to 20% of the radiant energy without killing the action. The size guidelines for a homopolar transformer are that the inner pipe must equal the outer pipe mass (exact weight), the length must match the wavelength (acoustic sub-harmonic of 50/60CPS or any of its higher harmonics – do this by hitting them softly at the end, hanging as pipe bells; just cut piece but until you hit a basic or harmonic), aluminum is OK. The inner pipe must be the emitter, the outer pipe collector. This is the same as E-Gray tube but no spark gap outside pipe is tapped at ends to get power the pipes are isolated, inner pipe forms part of motor LC tapped at ends.

This is related to GENESIS files (A1 Genesis.zip) and Genesis coaxial coil (bifilar); use it in your charger or built coaxial caduceus. Correct and compensate time-energy component. It's the only way to attain looping. Tuning is 10 times more bitchy than RV so I modified to hollow coaxial transformer ... it reduces Newman coil 1000 times with same effect "4KV hipot capable iso is needed" my reference is SEIKE from gravity R&D lab Japan. I got his book from WASS delta group in Seattle WS 1983 US R&D period. Use audio speaker alloy metal for the cores; flat Tesla LC coil sandwich in speaker end plates will do fine; watch for that METAL taste in mouth (field teleport of metal on EM field Aether stream).



In the pictures to the right you'll find a Homopolar transformer: a pipe within a pipe of same weight; inside "tuned" pipe is source, external is receptor. EV Gray tube = Homopolar AC transformer. This is KEY to free energy, gives the basic TOOL to start - true R&D in HI power Radiant energy systems.

If we Delta match a series of phased LCs using homopolar AC transformers creating STAR loop, once initiated in Hi Q, the system never turns off, taking the self feeding power loop into a self destruct hypersaturation state creating energy singularity within the rotary elements. That was the thing missing from Seike formulations and his reverse atomic reactor design and theory. This is applicable to Norman MRA as well to any hyper Q system.



The TV plug is used to EXTRACT partial energy from rotating STAR reactor using parralleling parasite LCs combined with the Homopolar RF transformers.

You can test this theory using AM and FM comercial radio final stages matching networks as well as Amateur Radio equipment.

Another kind of special transformer, seen often in radio-frequency circuits, is the air core trans-former. True to its name, an air core transformer has its windings wrapped around a non-magnetic form, usually a hollow tube of some material. The degree of coupling (mutual inductance) between windings in such a transformer is many times less than that of an equivalent iron-core transformer, but the undesirable characteristics of a ferromagnetic

core (eddy current losses, hysteresis, saturation, etc.) are completely eliminated. It is in high-frequency applications that these effects of iron cores are most problematic.

## 2.5 Magnetic attraction

A magnet is just a natural battery where the energy flux from atoms is POLARIZED and directed into N & S poles, in fact like a battery. Its relation to a coil is that it requires VOLTAGE to create an M FIELD. Magnets LOOK like batteries similes, but in reality they are transverters, "transponders", convert one energy transforming it to another type from what is called "REALMS". In a PM magnet, the power is contained within the ALIGNED atoms of the magnetic material, the ELECTRON SPIN being the POWER SOURCE (here the Magneto-thermal-gravity-Aether theory comes in play - not before).

Note also a magnet is just a long lasting vitronic energy source. Modulate it as class C linear amplifier, it becomes a generator; modulate it in push-pull mode you have replicated a working MEG; loop it you got a VTA.

As a coil attracts a magnet, if the magnet is stronger than the force attracting, it will raise the VOLTAGE of the source reversing the current in the coils as they are approached (as in one pair N-S poles circulating inside a 3 coil triangle in RV mode). The pole distance provide "attractive approach" to self induce creating VOLTAGE to reverse back to battery source.

MAGNETIC amplification is the way to go using PM as energy source in pure ATRACTION modes. Put all the coils to ATTRACT magnet toward them as they are switched. If done exactly, voltage will increase in the source capacitor as magnet is attracted to the coil.

So stay with bifilar design and diode band-pass impedance configuration. Bifilar permits to prime move rotate in one impedance (hi) and recover at a lower impedance to feed another battery. Bifilar coils are an answer to impedance match, self inductors as time length pulse amplifier "Caduceus Coil".

In repulsion mode charge comes from OVERSHOOTING, receding field is more practical to have repulsion & attraction at 90 deg, here is where 2 pole rotor & 3 coil in 3PH configuration becomes handy; tuning the device impedance with capacitors makes the battery become a negative resistor within the rotary LC tank were MAGNETIC field and thermo-magnetic mechanics provide the OU energy transform from ambient.

Note that you need to install a limiting circuit, if the battery voltage exceeds the output voltage, a circuit that disconnects until the battery voltage drops (20%), than the circuit is reconnected to recharge them again. That way you have a self recycled self-runner.

Speaker magnet metal caps make great low remanance DC pulse coil cores. 2 of them make a perfect coil spool. Speakers can be obtained at TV and car radio repair shops. The magnet is separated from the faceplates wedging a sharp knife and hitting it carefully with a piece of wood. Hard epoxied ones separate better by dipping them in soapy water for a few days. The magnets can be used for PM Experiments if not broken.

## 2.6 About Cores

There is a relation to COIL impedance and CORE impedance & DRAG. Experiments with some permanent magnet alternators (PMA), where the oversaturated coils become a source of drag due to room temperature Meissner and Hall effect in the core internal composition, that tends to go electrically superconductive and magnetically resistive to induction .

In a car alternator a Ib or Cs magnet in the rotor resulted in oversaturation, while lower field intensity Ceramic 8, 5 gave better performance at Hi speed.

There is indeed the need to attain OU using METAL cores, also as in SOLID state this knowledge is essential. Depending on the frequency, a set of variables have to be used as to attain degrees of performance. Remember a 7.5 HP US motor can be taken to 11 W in RV-mode. Prppermy "tuned", a 75KW transformer in hi impedance mode uses 3W and we are dealing with over 500 pounds of steel-boron silica laminate there.

So the laminate can reduce the size and increase power. Note that the laminate itself is not the problem, but rather its saturation that creates drag & loss, detuning, impedance mismatching of E and M field. The laminates need to be closed circuits, so can't be totally open as tuning becomes more under RF rules (like the ferrite plug in small radios). Laminate OU parameters need to be defined as 99.9% of the motors & generators use them, so we have to deal with it (until the coreless coaxial looped field generator is developed...).

Cores do in fact increase energy. If a normal energy saver motor is made of iron silicon core and its eff % is over 98%, then the information on coreloss is dis-info due to the FACT those 30 and 40 % loss material no longer exist. Test any modern utility transformer for loss, it will strike you that modern core materials even have GAIN at certain resonant conditions instead of loss. The old notion that Si cores cause loss is dis-info at this stage.

The importance is the RESONANT condition at charging an LC capacitor to max level upon a magnet influence, using a given coil and core mass combination. It's in the Magnetic GAP and resonance.

Is this if done under collapse field interval, LOADING will not reflect to source ... and if C is discharged in a load at BLANK interval it will not be reflective to the source.

The JM Pulse Charger (see further) does the same by transistor switching but dynamic is differently, there is a "time factor" that evens out the OU tensor to Non-OU under averaging equation. The fact is the tuning will be more difficult than RV to attain such average, also there is no PM magnet energy factor (the 2 must be compared as there is light in this revelation).

You need to saturate the core, so it's better to have a strong core bound field than an external purely inductive one. If too external it will interact with other elements creating parasitic drag (loss) coil need to transfer a charge to the capacitor avoiding SWR (reflected power) that results in detuning & OU transform loss. A capacitor is RF element where the WAVE transfers to potential (charge) as Voltage Value aported to it

As such for magnets, it better to use strong Neos (which have strong fields close to it) rather than Sumarium Cobalt magnets (which have flux fields which extend much further).

Bifilars & multi-filars are useful where impedance matching issues affect coil parameters, where elements need to be isolated as not to interact negatively with each other (NULL) and where surface currents become an issue. A fine stranded #0 cable works with less loss than a SOLID core #0 bar at hi frequency.

Core Coil and capacitance are critical variables in the OU transform. In order to obtain an EMA class C amplifier, the magnetic component must correct the PF of the inductive and capacitive ones, at a given CORE impedance where the ENERGY transform occurs. In AC is FULL resonance, in DC is half resonance states where pulse becomes a logarithmic voltage gain from a discharging coil & or core into a capacitor where it becomes a POWER vector (potential) extracted from the 0 point of resonant opposed curvature.

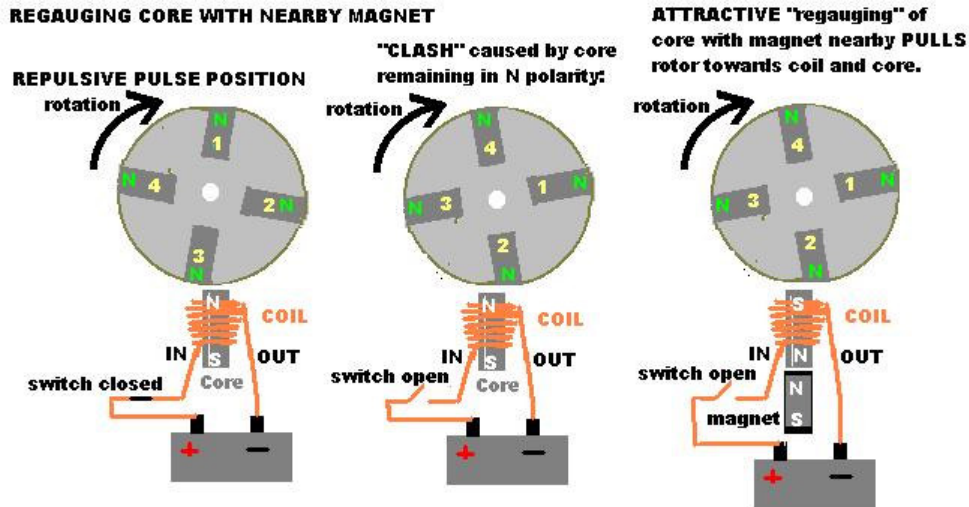
If voltage is maximal current is 0; if voltage is 0 current is maximal. These states create SPACE vacuum and space tensor where energy compresses and relaxes. In theory 2 off phase identical LCs in common grounded circuit must create potential differential relative to their space-vacuum states, being those captured such devices extract energy from thermal and electron spin ones (transformation with possibility of self sustaining and extraction of energy).

Regauging cores: the core inside a coil, once that coil is energized, will become polarized, either N or S depending on how it was energized (two choices!). The core inside the motorcoil will NOT instantly return to its "original" polarity after the power pulse (what most people don't get - the coil field might collapse, but it doesn't take the core polarity with it is the whole thing - the core polarity "stays" like it was when the coil became most powerful and energized and knocked the rotor....).

Assuming you have a motor with one coil and iron core, and 4 all - N magnets in a rotor. Assume you pulse the motor 4 times a revolution, all N-N repulsive knocks for power. If that iron core remains N for example against a N magnet, when the next rotor-magnet of the 4 in the rotor approaches the motor coil and its core, it will CLASH and try and push backwards to the rotation (no good). As such you will have to input more juice to overcome this. IF you REGAUGE (via the magnet next to iron motor coil core) the core (not so much coil) to be ATTRACTIVE (South in this case) now when the next rotor-magnet approaches the motor coil, instead of clashing, your get a FREE power pulse (attractive). You haven't spent any extra power-pulse, it is all free.

Here is simple drawing showing how "regauging" a core works. Regauging could also be called reversing the polarity of the CORE. This uses no extra power and can double or triple the speed of a DC pulse motor.

Look at the way that in the first drawing #3 magnet in the rotor gets pushed clockwise with a power-pulse from the battery. Look at the way that the approaching #2 magnet in the next drawing now will cause a repulsive clash against the rotor rotation, if something isn't done to that core. Look at the way the magnet underneath the core flips the polarity of the core, making a once repulsive clash become a strong attractive pull in the direction of the rotor.



The info on ROTARY condenser machine theory will help: <http://www.pscpower.com/pages/series%20sc.htm>. If we see it from a perspective they "Regause" the utility lines making you save energy. In Hi impedance they become EMAs Electro Magnetic Amplifier. It's simple: a coil attracting a magnet of higher magnetic intensity will get induced power from the stronger M field. In low impedance this effect is not noticed much, but at higher ones it exhibits OU due to EMA effect.

See chapter 11 on Power Factor in <http://www.ibiblio.org/obp/electricCircuits/AC/index.html>. Calculate this with hi impedance relative to M field in PM rotor synchronous machines.

## 2.7 Levels of transformation

OU is Transformation. If a magnetic flux is switched ON and OFF in any system with a MINOR force, you have OU. The same happens with a static charge (ref Thestatika). The MEG is an example of a MagnetoTransistor, requiring a perfect tuning, but with the disadvantage of loosing it at loading. The solution is to have a resonant MEG with transverter diode plug and capacitor discharge system. Pulse length as to permit discharging the accumulated Radiant Energy component in a totally non-reflecting way to the source.

Understanding the mechanics of how the power is transferred from the AMBIENT into the device, becomes more analytically tangible as some BOOK rules can be applied to justify that TRANSFORMATION. In ZPE we deal with variables interlaced with other variables, we start with 3 electric ones that subdivide into 3 more each and so on to 48+1 levels of basic inter-related LAWS starting from basic Ohms law. Academia knowledge just needs to be "restructured" as to define aether density and other yet to be known forces related to energy transformation. OU is not magic, is the magic of transformation itself!

The energy is transferred from Thermal-magnetic regions. If FORCED more then it is transferred from ELECTRON spin, electron DECAYS becomes VITRON emitting photon (be careful with the BLUE odic flame = vitrons). Avoid contact; as anomaly fields are created like with the "USS Eldridge", where time is beginning to be distorted (transfers energy from time space tensor, degausses zone, as the Famous Philadelphia experiment did). Energy transfer becomes awesome force.

If increased furthermore, the HELRAISER effect takes place, where reality is degaussed. Morphogenetic field is disrupted matter (becomes ideo-plastic) and is turned to primal mind responsive paste. Aether transform occurs. Nuclear elements can go critical with awesome force, silicon becomes Nuclear Photonic Explosive. The Helraiser Field creates whatever your mind projects to it. Search info on Montauk project destruction, it was achieved running amplitrons in looped phase mode, as full 4d state was attained a T-rex monster was projected from the ID to destroy the base. RV is the BASE for ACTUAL secret government T.A.S.M.I.N project (time travel).

ADVICE: stay thermal & low power with these devices. Use as R&D tool, use as energy saver device 90%+ idle energy savings minimal in intermittent use, like grinders, pumps, drills whatever needs to be constantly running but with intermittent loading (conveyors, lawnmowers & others).

On the Stochastic thermal transform that has been the issue all this time, atoms gravity flow is a type of energy transformation were the gravity flux is transformed to MAGNETIC electron spin force within the atom. Thermal energy plays a big part here also. Its energy is transferred to electrical realm.

And as I have stated before, the art of tapping OU energy is the art of transformation. For dominating that art you have to dominate the current art to its top perfection 98%EFF and UP. Once you have reached the limit, then the art of extracting the energy from the ambient "DIPOLE" can be attained.

## 2.8 Electron Spin

The internal structure of an electron consists of 4 Vitrons shaped like 3D 4 faces pyramid. One of them can shift to a photon, and the electron lowers orbit-releasing energy (pro-photon).

If we look at real matter, all of it consists of "spherical standing waves". In Einstein-Bose condensate experiment when atoms are cooled to absolute 0, they appear like a condensed wave SOLITON ("flattened sphere"). This creates WAVE pattern interference.

The Electron Spin frequency is 1.6 MHz. Thermal stochastic transfer works in this region quite well. The coil cools and RF signal self sustains - 2 vitrons one pro-photon spinning within a spherical standing wave. Its frequency is within the range of 1.5 to 1.8 MHz. It is perceived as background noise in multiple octaves, like transformer random resonance recording, and LASER Ruby rod resonance.

Electrons are transformers; as they need energy to self sustain they acquire energy, as this energy is transferred to spherical standing wave strings they create gravity, M field and E field. Alter any, you alter the nature of the electron "even transform it ". Phi is the only ratio in which waves can "add" and "multiply", expanding or compressing, non-destructively and infinitely... transform of circle to straight line and back again... a spiral in 3d.

This web site <http://www.glafreniere.com/matter.htm> explains that there is nothing else but aether, and that matter is made solely of waves. They are catching up. A few more billion wavicles smaller and they got it! They need to resolve the inner eleKtron triad in order to understand the 12,000 string wave structure that forms the electron illusory spherical shape. Every particle has relative rotation; nothing is static not even at -273K; only staticity can be found at 0 time and is also relative from viewers point ....WAVE Structures ? 3.141592742 for a more accurate 12,000 poligon structure ... (as Start)

See info on [http://www.glafreniere.com/sa\\_electron.htm](http://www.glafreniere.com/sa_electron.htm): the graphics are unidimensional compared to Electron real Aether tensor transform interaction, the corroboration TIME contracts with gravity intensity trashed the red shift theory cosmology as well as matter structure theoretics, the Black hole is just one single big electron transform engine , as the infinitesimal electron itself ... And is only the tip of the Iceburg ...

## 2.9 Load & battery circuits

A resistance (ampere load) must be provided for a capacitor as to emulate a battery compound character. That is its LCR components as to prevent chronic rundown, where frequency increases as VOLTAGE drops, but CEMF spikes go UP in voltage, but are not able to charge a capacitor as a capacitor turns relative to frequency-increase into a solid conductor (ever tried to measure voltage drop in a capacitor? Can you pass 10 amps through a capacitor having no voltage drop? Yes, as high frequency AC band pass circuit, the capacitor becomes a solid conductor to hi frequency). Across a diode this represents a short circuit where the circuits drops under OU energy level, farts and dies depleted.

Some of these concepts are still used in switching power supply systems as in PC computer power supplies. A resistor (50 to 100 Ohm) and capacitor in an "LRC" in the HF hot section of the power step-down transformer is regulating L reactance "tuning". If you take R off, the supply farts & goes dead or simply burns out. Same goes for CR battery substitute.

Quoting Tesla: "**tuning the Source to the Load needs**". Radiant Energy IS RF and every part of a circuit relates to the next, unless is decoupled and isolated (Opto switch RV plug).

The battery has internal reactance and resistance differing from a litic or oil capacitor by quite a bit. A free capacitor will change the circuit configuration as is it getting charged, like the VARACTOR tuner in a radio or TV system. Voltage determines frequency as your capacitor charges, the impedance of the circuit is altered, becoming regressive braking rotor instead of accelerating it. As this occurs VOLTAGE will drop detuning from initial OU states, a 500 ohm resistance may help a bit to emulate battery resistance and provide a VOLTAGE drop in circuit to TUNE, as the flyback type resistor and cap used in a PC power supply transformer circuit. A 25W light bulb will emulate this at 120V potential in series with a big litic caps reversed AMPERE load in the back EMP recovery stepped plasma discharges. A bit complicated to tune but simple in construction.

With RV there is battery degradation within a looped state, as true voltage increase does occur, current is required to maintain a charge, measured by hydrometer electrolytic density (acid % diluted in electrolytic) that shows TRUE charge. In looped mode the tendency is to reach equilibrium where the battery will provide infinite energy as long as it is provided with WATER as FUEL and does not atomically degrade by hydrate transmutation (COLD fusion).

In any case batteries have to go unless current is added to looping. Here is where opto-circuits & diodes become handy by transferring voltage tensor to current. This is the real bitchy issue to tame in tuned looped systems: pulse-length, saturation, impedance matching - too much or too less, no OU. This is done in AC as most of standard system works in AC (the universe is analogue, not digital), but it does not mean it cant pulse from time to time.

The battery voltage can be defined by a resistor with x potential "voltage drop" at given amperage, so the resistance is relative to the energy tensor and phase angle, in time relative to its extremely large wavelength. A battery is just a large capacitor with specific resistive and inductive parameters.

Battery Power Factor correction: higher impedance, lower drain - higher CEMF discharge. A higher energy attracted to a lower energy amplifies the lower energy one, adding its energetic component to it.

A way to simplify a battery set in OU condition (system running): a dpdt switch as to cut off battery from capacitor and switch on R "ampere load" to it, the capacitor will have emulated internal reverse voltage drop that becomes L to reverse EM flux from plasma & recovered VA from rotor.

As any OU device they respond to aether flow changes, so don't feel frustrated if some days they perform bad, and others like heavens, the importance is to study and tame the phenomena. Later the problem is solved with magnetic aether accumulators (orgon) to fuel the device "Spherical condensers" and tune to natures energy grid matrix.

Notice that in Bedini and Newman motors, the "Battery conditioning" is increased resistance and voltage of such, indicating a definitive voltage amplification being fed back to it (Power Factor corrected battery). In order for this amplification factors to be understood I insist on the links to power factor phenomena, RV PM, Newman, Meg..., as there is a need to demystify ZPE into current standard practice and demonstrate that the magnetic field can provide amplification to a rotary system (OU) and also in a linear Solid state pump where we have magnetic stacking of a signal providing amplification.

The statement on a Battery charge being a very long AC half wave signal is not far from the truth as it has a Voltage and a corresponding current phase angle within this very long wave component. In Bedini motor this voltage and current can attract a magnetized rotor toward it at a specific impedance L with a specific Magnetic field value (m), the PM rotor being attracted has usually a MAYOR M component than the attractor L M component.

Remember a battery is a big capacitor with a very long half sinewave discharge curve ... and that Bedini was power factor correcting his battery.

If we apply power factor correction formulas, the Major M component will alter the minor one, AMPLIFYING its ELECTRICAL POWER with a LEADING CURRENT reversing DC power to SOURCE. As this is done the voltage in the source will increase with a virtual higher impedance gain in LC from the higher energy M component, KVARs will flow to DC battery (reversed current) resulting in Battery being charged by magnetic amplification, as magnet M field is just a natural battery yet to be understood.

The MAGNET energy comes from its electron spin. But since the electron energy in a free electron is 60,000 Horse Power, the drain we notice from the magnet is infinitesimal small in a Bedini motor (1/60 - 10x10 power figure) with a corresponding thermal drop in magnet Kelvin ambient temperature (nearly imperceptible).

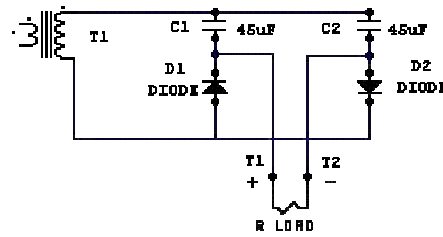
This can be attained in attraction as well as repulsion in PM rotary systems. (Kone managed to do that) at a CERTAIN specific battery power level, internal resistance and LC values, but as battery charged up OU stops until battery drops again to same condition in extremely long cycles as he used milliamps, in a hi amperage circuit this cycling is much faster ...

## 2.10 Capturing or extracting

Here is where the fun starts, as we got RE in OU state. Now what do we do with it? Simply learn to **extract** it after you learn what it is! E gray defined it as **cold** electricity. I agree, it knocks standard minds out cold, as it has to be used differently than standard electricity, as **load** is defined only in **amperes** and not voltage. Voltage is at 90deg vectorial deviation of the current wave phasor, where current is maximal voltage is 0. Here tuning and RF knowledge becomes a must, as the term "antenna matching the DIPOLE" is in fact true.

Most loads are variable, so we need a system that remains OU while load varies (non-reflective power switching and transformation). The answer is a magnetic amplifier alike tuning (Old technology) or band-pass phase bridge, but that is for Extra class Amateur or FCC 1st class Engineer (RF engineering). We have Full Value if we use as pulse AB type positive bias energy Pump (Switching) – see further.

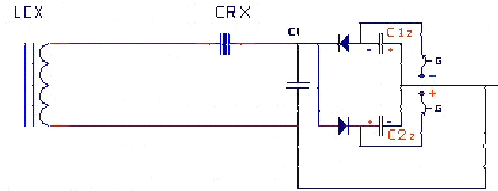
The diode plug does that maintaining the OU condition but transferring the POTENTIAL to a capacitor that is discharged to transfer its POWER to a more standard co-phased PF=1 energy mode. The basic circuit: 2x C transverter circuit; each half equals basic LC at pure resonance, where the capacitor is tailored to the load at a logarithmic path 1.618 over input power raise. The circuit cycles as a constant turn on condition were OU manifests as energy rise within a Node V state (ZPE) resonance. Energy is extracted by driving the capacitor to a load at the DEAD time (Rest interval) where the other capacitor is being charged. As such we avoid LC field depletion. Discharged into a 0 resistance, the energy becomes infinite (theoretic). And not far from the truth, if this PULSE is used to SATURATE another LC as Electromagnetic Amplifier EASER pump (ON RV and LC Resonant circuits). Related to Ferro-resonance, any Ferro-resonant transformer can be turned into a transverter diode PLUG, dividing capacitance by 2 and using each HALVE as a + - DC vector source. If SHORTED it just goes RESONANT, no BURNING in source.



You need to use a scope and read the coil collapse voltage ...across a diode then place your capacitor to be charged, use a cap decade box as to find the capacitance value where COIL collapse will charge it to highest voltage value, that Voltage value with your Capacitance in mF will give you your JOULE energy level at each cap, that if discharged as a non reflective load will never affect input as the only energy required to charge it is the one the MAGNET imparts to it as a resonant element from 0 point state (rest).

The method may vary as series parallel connection & diode configs, but the principle must be kept similar, mitigating the Lenz component and isolate reflective power from source ... attaining true EMA performance (you can use diode plug on each coil). Point is to get input down and output up .... VIOLATE lenz law! Or I may say bypass it using a better law (transformation) as here is no violation but mutual consent.

ZPEM circuit: In the diagram to the right (Schematic1x2xtalOU.jpg), the main LC (CLX) consists of a hyper Q circuit in series with a thermo-piezoelectric crystal (self oscillates at specific pressure and frequency - self sustaining OU), where C1 is the MAIN component in theoretic 1.618 gain circuit (in pure resonance). The



Circuit is not to explain specific OU transform elements but to explain extraction method. It's a key element for OU extraction. Even being a coil, a crystal, 2 diodes and 2 caps, main C1 can also be virtual dielectric capacitor within same crystal (another "KEY").

To extract a percent of the energy in the OU region, avoid hypersignal broadbanding and degenerative entropy by non-reflective means (signal does not decay under OU as energy is extracted). If such energy extracted is less than the OU component required to sustain the system in above unity cutoff energetic level. In basic bandpass filter a capacitor becomes a solid conductor (this is basic) and essential in OU energy transducer design (transverters).

C1z and C2z is the isolation "split capacitance" where the total capacitance in joules is  $Cop (1.618 - 1) \times .732$  as to extract excess OU non-reflective non-detuned of main ZPEM (Zero Point Energy module) using the blank AC intervals of C1z and C2z to extract the OU energy (see Opto trigger circuits in early ZPE book compilation as this schematic was explained in writing). This is simplification of the opto-trigger circuit applications.

This system is applicable to MEG, VTA and any universal OU LC Crystal powered transducer resonator tank. Remember Cz charge capacitance value must be calculated from a relative 0 energy state as a solid conductor "L" where it's assumed it will parallel - logarithmically charge with main C1 contributing to main frequency Q capacitance value as "Varactor - tune element alike".

This permits power extraction from systems like MRA and others self running hyper conductive or hyper Q systems. The secret is Cz must NEVER extract power exceeding the OU self sustaining cut off (near 10%) of main LCX power level at self sustaining transformation.

Well you just need some dilutium crystals now to power your chips. At Hi Q some crystals become endothermic, transferring heat potential to electric one; the oscillations become self sustaining.

As for load, be careful with metal-halide bulbs, as you can get HALIDE Teleport Signal, which may give nasty radiation burns (use shielding), as you are dealing with RF plasma & waviton Synchrotron alike radiation up to 100 times more powerful than a house microwave oven.

Let's say we have 150% OU charge in a capacitor at x Volt and y uF. We calculate the extractable percentage of say 200 uF, to be 25 uF with no oscillation decay. We use 175 uF in a main LC and use 25 uF in diode plug full drained energy extraction circuit. This is applicable to NON PM alternator as true re-gaussing does not occur if the capacitor is totally depleted, but does not apply to PM alternator where re-gaussing occurs as a first switch on radiant energy effect at each cycle, energy provided by the PM field.

Timing and recovery capacity values need to be calculated, a series resistance to a capacitor can work as tuning device (varactor tuning alike). As you reach OU, don't worry, leave it there as it will cycle up & down to OU non OU regions as it tunes, charges, detunes goes under OU, discharge to tuning OU states again in up & down long cycle waves. That is normal. That is why tuning node must be at 10vdc OU plus to the 12.7 OU cut off point for 12V battery & per battery in series gang (e.g. 120VDC). Other factors also apply (like speed regulation).

All devices work under the same basic formula  $H = I^2 R t$ , where basic gain from magneto-atomic amplification is a predicted 1.618 within a logarithmic gain time-reversed spiral with consequential thermal-ambient noise reduction and transform to the electrical power region. In transverter mode, capture DC vectors within a capacitor diode plug recovery system. Inductance CHARGE is a current value at N voltage as it meet a capacitor this current is maximal but decays as coil reverse energy is fed to and transferred to capacitor as a VOLTAGE energy vector until they equalize (across a diode).

Vectors are defined as forward force and reflected force in AC. Such vectors can be measured as phase angle relation be it voltage or current "Phasors". In DC they become linear potential positive-negative differential with N Joule force as capacity and voltage discharged at x time within entropic logarithmic decay until it reaches 0 "Valance".

So if the CEMF is recovered to a capacitor using a logarithmic path within a resonant LC configuration, the gain will be a real 1.618 verifiable by charge the potential transferred to the capacitor (Joules). Added to it is the Q multiplication factor attained in core & wire design. Sample hi latching VTA Ceramic magnets .... as a HI Q over-unity energy transform media ...

Constipation of energy law (Hector\_July 16 2003): Take a capacitor, make a resonant LC as to discharge first capacitor to a coil or transformer choke (C discharged in L). As L reaches peak voltage and capacitor reaches maximal current, cut off the connection. The power in L is 1.618 times the input if loaded into purely resistive load by means of a REVERSE RECOVERY DIODE (started from the primary ferroTR.gif posted in JLN group 4 years ago).

Here <http://groups.yahoo.com/group/EVGRAY/files/RECOVERY%20CIRCUITS/> are applications of diode recovery. One of the most interesting is the positive bias one, where the coil is energized going into the negative and as the transistor switches off the diode returns the CEMF pulse back to the positive.

The Phi curve is perfectly attained in a free floating capacitance as the coil L is discharged from its saturation point into the equivalent capacitor value for a true resonant tank, where current decay is transformed into a CAPACITIVE CHARGE of GREATER POTENTIAL. The diode permits a ONE way logarithmic transform as node and anti-node of radio antenna dipole system. Once the capacitor has MAXIMAL energy, the component is discharged in the second higher resonance harmonic in "load" (this maintains tuning as in transverter circuit). These notes as very important, as they are the secret of Tesla amplifying transmitter...

So OU goes as follows:  $H = I^2 R t$  (H = Heat) (Joules law)

where  $E_{in} = E_{out} \times 1.618 \times Q$

where  $E_{out} / E_{in} = \text{Eff}\%$

(in case of RV, Virtual Alternator power is 1000% + (Radiant RF mode), see picture 120200x.JPG)

$P_{in} = V.A.PF [W]$  (PF = 1 = 'unity')

$P_{out} = (V1+V2+V3)/3 \times (A1+A2+A3)/3 \times 1.732 \times PF [W]$

Here as PF=0, power becomes Virtual standing wave (Scalar) potential (RF)

A conversion back to normal phased power is multiplied by .8 for down conversion loss, but still is OU.

Above postulates are universal in nature and applicable to all systems.

System is OU by the book!!



Note that the value of  $1.618 = \text{PHI} = \text{Golden Mean}$ . This is a universal constant in nature. It is the path energy takes to OU in transformation from one state to the other as it goes from STATIC charge to Energy in Motion (dynamic movement).

Most power mosfets and many Darlington transistors have a protection diode already built in (no smoke). That is why the power must be switched AFTER the coil returned to the negative, as the TRANSISTOR OPENS CEMP reverse across diode. Positive to positive, negative to negative. This was one of the FIRST feedback circuits made public years ago. Another one is the "infinite loop diagram": reactor core mutually inductive LC tank pair.

Inverter & amplifier modification: in TRANSFORMER inverters, the center is split and sides are common to positive, negative is switched in dual push pull CEMF. In a standard class AB push pull with no load, the circuit uses 10 Amperes. As case of non modified PC 1000 inverters some computer UPS units can be modified to work this way, as it requires to split the center transformer tap and feed the common positive to the sides. This is called a POSITIVE BIAS circuit, were the LOAD is always in the LIVE positive and is switched by grounding. A ground is open (transistor opens) the field collapses and REVERSE diode passes the negative CEMP to negative and the Positive CEMP to the battery positive. In EASER resonant modes energy transform from thermal component will be transferred to Electrical energy resulting in OU (core & wire temperature will drop), where  $H = I^2 R t$  as stated in Genesis Transform Theories.

It is applicable to the production of electret & permanent charge materials with Electron tunneling capacity using either voltage and or current potential vectors.

Total value = 1.618 OU; from that discharge the .618 and leave the ORIGINAL CHARGE; use whatever is over for whatever you want. Other permutations are possible. Remember, joules energy is defined, Time, Amperes, Voltage, but importance is to saturate the core and let it decay with its added ambient energy component into the power recovery circuit (Ringing) OU.

Looping is using a portion of the output energy to drive the input of the system. This is possible in OU states, where the output is higher than the input requirements. As such a self-running system is achieved.

Be very carefull with looping as it transforms local time-space into a singularity, and creates a signature that can be instantly detected lightyears away.

In summary all is needed, is to VECTOR potential to diode bridges, positive parallel to 12V battery and is LOOPED With OU power. All loop testing have shown a factual 1.618 logarithmic gain with the .618 being usable power. As to attain stable looping, you need to raise the conversion recovery figures to a PURE full load of .618 (61.8%). This can be taken to hi Q factors but this is where time-space anomaly phenomena begin to manifest... Anyway be carefull with looping as this creates singularity and anomalic fields. It's signature can be detected instantly, even lightyears away...

~  
~ You need an exact capacitor value to charge in the cornu spiral region .. resonant half wave top capacitance charge ....

Disbalance creates differential. Once the energy flows (like a hurricane) it self sustains. OU is transformation (from acustics to gamma rays is the same).

## 2.11 Controlling

A governor can be used to regulate speed with a hi speed disconnect low speed reconnect cycle. The excess charge can be passed to any 127V UPS or inverter system (off the shelve) and monitor its battery charging capability. Then next step is to increase to RV type KVAR 1 to 10kilowatt range, without having to build a Newman motor alike monster. A 3HP PM motor operating at 15,000 RPM can transform 30 HP of energy (22.38KW); if 0.382 of that is OU definitely we have a practical device 8.5 usable KW. The solution for extracting this energy without destroying the effect producing it, is where the resonant diode plug and optical switching become useful, as PARTIAL extraction and NON-reflective vectoring can be attained (schematics & pictures in PDF files).

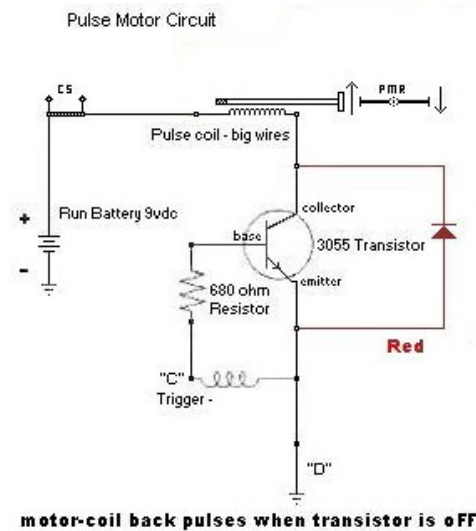
Same can be done in Solid state Modulating caduceus like class C linear amplifier after you find the proper EM relation, the battery just becomes reversed in time, causing ATOMIC mass increment in lead atoms PB206 reintegrates to radium and so on. Nice stuff to manufacture cheap plutonium if you use pure lead plates and heavy water in your battery system. Normal batteries contain bismuth (neutron moderator) that sulphates in Fusion modes (burns) destroying the battery.

## 2.12 Positive Bias

Inverter & amplifier modification: in transformer inverters, the center is split and sides are common to positive, negative is switched in dual push pull CEMF. This is called a POSITIVE BIAS circuit, where the LOAD is always in the LIVE positive and is switched by grounding. A ground is open (transistor opens) the field collapses and REVERSE diode passes the negative CEMF to negative and the Positive CEMF to the battery positive.

Check if the transistors (FET) used, have built in reverse diodes. If so use those in a Positive Bias recovery method, by using the internal reverse diode, else add an external diode (see picture).

The picture to the right is an example used for a pulse motor, which is discussed further.



## 2.13 The Cornu spiral (or Euler's spiral)

If you charge a coil and the moment you disconnect it, the pulse of the magnetic collapse speed is determined by initial voltage, core (if any), turns of wire and interwinding capacitance. Varying the frequency varies the parameters also. Look for its natural resonant frequency. Voltage will raise and fall in a Cornu spiral (see logarithmic dynamics of oscillatory decay in time).

<http://mathworld.wolfram.com/CornuSpiral.html>

<http://hyperphysics.phy-astr.gsu.edu/hbase/phyopt/cornu.html>

<http://mathworld.wolfram.com/LogarithmicSpiral.html>

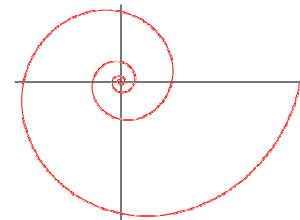
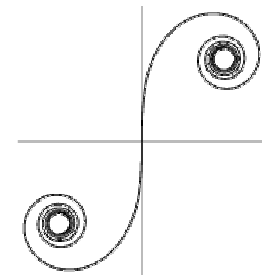
If you see the LC tank as a SLIT in time and space, it's very easy to visualize the discharge dynamics of a collapsing magnetic field, Radiant wave emission into space. An Optical slit is no other thing than an equivalent of LC resonant pathway to light frequency. This is the reason why the insistence on Radiant energy as being RF and RF being the Extraction and transformation method for extracting ZPE from the Aether region.

Logarithmic spiral, Cornu spiral and RF rules definitely show you nature's path to OU. LC energy always decays gaining energy from the ambient (replicate transverter system ...).

The CMPU secret (all over the net already)..... A multivibrator setup as to trigger opposed charged capacitors in null zone (dead time state); this totally isolates the LC HALF resonant tank from the load, it is discharged into higher Q higher frequency mode as to discharge charged capacitor in HALF the time it takes for the other to charge up. As is SCR switched it will disconnect cap as potential goes near 0 (this avoids voltage detuning of LC) permitting enhancement of LC charge curve into Cornu spiral "Radiant energy manifests" (same as optical counterpart). The energy level is awesome as Cornu spiral defines vortex within Aether time space matrix compressing it (extracting energy from time tensor vector itself).

It will become evident as how you can extract it... YOU WILL HAVE A MAGNETLESS VTA as Cornu spiral effect on LC is the same as in Atomic structure of CONDITIONED magnets where Sweet so much talked about.

Another hint: Newman motor is the same stuff! Same RF rules but ELF waves; charge the pathway LC (SLIT), the spiral is defined, let it collapse, the spiral collapses too, BUT gains energy from time tensor that is transferred to RADIATING FIELD WAVE COMPONENT (Radiant Energy). Transverter is opposed alternate method. As you will realize, power capture is linear to source but decouples totally at discharge cycle. Current value becomes a voltage related Virtual tensor (Imaginary) as initially is "0" (Null). The secret of OU is in the tuning of things, the energy source and its load ... (Nature provides the rest).



### 3 Practical Applications

Most experiments explained further are based on the standard 50 or 60 Hz house power. However it is important to note that every electrical component has its own OPTIMAL frequency where it is more efficient, and where usually OU manifestation occurs. This frequency can be provided by a computer to a transistor inverter, which drives a transformer as to provide RV with power. In a Tesla coil spark gaps are adjusted to tune it to best performance.

In motors and transformers a combination of 4 factors can be used:  
in case of AC: frequency and amplitude (voltage)  
in case of PULSES: amplitude and pulse length

At a given voltage and pulselenght any coil will deliver OU as an EMP, as the magnetic field generated from the pulse collapses within the coil.

#### 3.1 Rotoverter

##### Overview of Operation

In essence the RotoVerter (RV) is a combination of a prime mover and a generator, mechanically connected in a 1:1 link. Normally standard 3-phase (a,b,c) asynchronous squirrel cage motors are used both for the prime mover and the generator (in so-called "induction generator" mode). The prime mover is wired for the highest possible voltage and fed from a single phase instead of using all 3. The applied voltage should be around ¼ of the motor wiring voltage, as the ratio 1 to 4 is key here. A virtual third phase is created with the help of a capacitor, which creates a 90-degree phase-shift between applied voltage and the current. (Note that the RV is NOT an "ADD a phase" system). The advantage of this virtual 3-phase powering scheme is, that the prime mover will draw MUCH less power in idle mode. In idle mode, only about 12-50W is consumed and when loaded about 900W consumed. Capacitor tuning needs to be done to reach PF=1 (Cos φ =1) from the source (or differently said: in Anti-resonance - LC is a NULL filter). The mechanical output power is about ¼ to 1/6 of the HP rating of the motor, but a higher efficiency is reached (see further).

The RV generator/alternator is wired for the lowest possible wiring voltage, to have lower impedance and higher Q (is the reverse of prime mover higher impedance at no load, to lower semi resonant impedance at load hi Q). In LC circulating power L, C and R parameters can be changed. In the alternator LOW voltage seems to give best Q and highest resonance. The load R can be made an integral part of LC within a set of tuned parameters and OU in nature. Else power remains within LC and radiation field range. Relative, imaginary and real power can be integrated and used.

The purpose here is to create the maximum current and maximum voltage in the stator windings and all this without causing too much drag to the prime mover. The power factor needs to be 0. Here again capacitors are added/tuned, but to obtain PF=0. The highest Q factor, resonance and the highest circulating virtual power (VAR) need to be obtained. In RV generator at RESONANCE the 50/60CPS turns into ELF RF RADIANT energy sinewave (and can be used to generate any kind of Tesla wave using SCR triggered pulsing system). Magnets vibrates strongly as its approached to active LC wire while in RV primemover input wire is minimal.

Capacitors are not a LOAD, they are PART of TRIPLEFLUX resonant 3PH LC (frequency tank) on RV alternator where a reverse inductor rotor (negative resistor alike) imparts energy (pumps) energy to 3PH stator LC windings (OU in fact). Hector uses the name 'flux capacitor, as you have Phase vectors flowing in 3 capacitors. In AC you get FLUX, not stored charge, as is a dynamic rotary engine; in some states a capacitor is SOLID conductor to the signal.

Due to the cyclo-conversion effect, system gain is achieved, which comes from stochastic resonance. The RV works under the basic formula  $H = I^2 R t$ , where basic gain from magneto-atomic amplification is a predicted 1.618 within a logarithmic gain time-reversed spiral with consequential thermal-ambient noise reduction and transformation to the electrical power region. As such overunity is achieved.

A diode plug is used to transfer 0.618 of the power to another capacitor, that is discharged to transfer its power to a more standard co-phased PF=1 energy mode. The remaining 1.0 power is used to maintain the system in OU resonant status.

RV is a Tool to improve on rotary machinery, and to acquire certain skills with lab practice (as solid-state devices require much more Knowledge on Radiant energy issues).

Documentation about the mechanics involved: [http://www.ibiblio.org/obp/electricCircuits/AC/AC\\_9.html](http://www.ibiblio.org/obp/electricCircuits/AC/AC_9.html). This is one of the best to find, very helpful for RV & R&D stuff ... reversing some of the "equations" & applications is the KEY to energy transform.

Relation: the M field becomes the energy provider for V-I, contributing its energy as VA to source as pole stator pole becomes receptor of higher energy; as a rotary field is present on it the other pole may provide re-gaussing to core in a mild repulsion mode but at same time attracted to opposed polarity pole sector at 90° angle.

Normal RV demonstrates OU virtual states (Radiant Energy). PM RV takes it to real transform mechanics (Basic) from pure magnetic domain. RV demonstrates 3 principles in vitro. The intent is to give a tool of learning where you can apply those 3 principles: 1) energy savings and R&D; 2) Radiant energy R&D; 3) overunity energy transform.

RV is an R&D tool seemly primitive, but is far more advanced than many university instruments now on use. It will change the way we look at power in a very drastic way, to use RADIANT energy you need to create it! RV alternator is the cheapest safest way I found you can create it with; no \$5 million university prototype or Tesla 10 million volt coils. A safer 220 to 900VAC range using 3 PH motors as reverse inductor "amplitrans" - verify you got RF with scope.

Nodes current and voltage related 0 to each other, 90 deg phase! That is "RADIANT ENERGY". It makes a magnet dance in your hands, as many other still undisclosed things (partially revealed).

## What you need

The best RV performances are 3PH motors from 3 - 7.5 HP for 60Hz, or 5 - 10HP for 50Hz, minimal 84% efficiency. (If available, use energy savings inverter-grade ones, up to 96% efficiency.) These have larger mass, more impedance, less loss, more broadband loading range; that is why the RV efficiency range is better within that range ... best impedance stator rotor relation. (Higher range is good for slow speed hi torque PM rotors). The resonance figures are better, because bigger motors have much lower active resistance. 1-3 ohms-resistive is OK for a phase. 25HP motor is hi current and lower impedance than normal 23 Ohm, a not so perfect RV mode (only for PM rotor use). Old motor has core losses but the new motor cores are down to 3% loss or less, PM eliminates squirrel cage 10% loss, run in RV mode it will provide KVAs to home correcting power factor.

Have a motor with external fan, which is easier to remove, as it is not needed and improves the efficiency. A squirrel cage motor can function as an AC generator. You need a final LC network to transfer non-canceling power to other inductive devices.

Best is to use dual winding motors. If not available, single winding motors can be used as well. For dual winding motors, take 230/460, 9lines WYE or 12 lines DELTA/WYE configurable. The real universal would be 120/240/360/480 WYE DELTA 24 lines 3Phases, specified to as per RV design (EM / PM).

Take any rpm, but alternator rpm must be equal or lower than primover rpm. Example primemover 2900rpm, alternator 2900 or 1450rpm.

As reference, the most common utility grids in use are:

- 120/240 60Hz (US, Canada, Caribbean area, ...)
- 230/400 50Hz (some regions apply 220/380V or 240/415V, or even the older 127/220V)

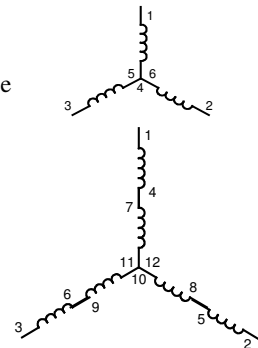
Have a set of oil capacitors(no lites, ranging from 1uF to 50uF, not starting caps but running mode caps being at least 370-400VAC. Take no lites as they overheat, degrade and explode in constant AC. Easiest in a lab is to build a capacitor bank with switches to adjust the required capacitance value.

Caps can be found in surplus stores. Airco units have good caps. Some old refrigerators have as well, but some start by means of a solenoid current relay (that may be rewired to start big RVs).

## In practice

Primemover: you need to wire the prime-mover correctly, to get to the correct impedance where the RE effect occurs.

- For single winding motors (typical for Europe): Use 2900rpm motor, wire it in 'Y' (so for 400V, but notice that in Y 2 windings are in series, so 460V rates), and apply ¼ voltage single-phase to it. So feed 115V through variac (R&D) or better through transformer (lower loss).
- For 230/460V motors (typical for US): Use 3450rpm motor, wire it in 460V mode 'Y', and apply single-phase 110V. If dual winding motors are available (230/460 dual winding, 9lines WYE or 12 lines DELTA/WYE configurable), use those, and connect the coils in series for the prime mover. Up to date



⋈ Baldor, US, GE motors are the best. (See wiring diagram)

The primemover is connected in WYE. 2 terminals are connected to the input voltage, where the current will lag behind due to the inductance. The third terminal is fed through a capacitor, which compensates the lagging of current, as such creating a rotating magnetic field in the stator windings, which will induce the current in initially static squirrel cage rotor windings. The running cap becoming the phase-angle vector generator. (that kind of driving a 3 PH motor is known as "Steinmetz"-circuit in Germany). But note again that the RV is NOT an "ADD a phase" system, but special high eff energy saving mode). In RV primemover you manage PHASEANGLE in broadbanded low loss HI impedance LC PHASING network (3 wire LC).

The squirrel cage is considered as a transformer secondary winding, which is in "shorted" state when the rotor is just starting its rotation. Its primary virtual inductance (and thus the total impedance) is very low and high current is needed from the source. To maintain the rotating magnetic field in the stator when the rotor is just accelerating, we have to supply a lot of current to ALL of the stator windings, as such needing a bigger starting capacity to lower the impedance there as well.

When the rotor comes up to speed, the rotating magnetic field of the stator will cut less and less the squirrel-cage windings and the virtual transformer shorting effect decreases and thus the needed current from the power source also decreases. In order not to destroy the rotating field, the start cap needs to be disconnected. This is valid only for the prime mover in UNLOADED case.

The winding's  $X_L$  will depend on the loading of the motor; as such the  $Q$  ( $Q=X_L/R$  or  $Q=X_C/R$ ) will change in a wide range. When we are loading the RV primary with some mechanical force (like loaded alternator for example), we are reducing the rotors speed, the revolving stator field will cut more of the squirrel cage windings, the transformer-kind-of loading effect increases and stator windings virtual resistance decreases. The run cap needs to be adjusted so that the consumed power from source is minimal. THIS IS WHAT HECTOR THINKS AS HIGH Q SEMY RESONANT STATE: loaded motor is a bit similar to a starting but unloaded motor - you need especially to tune the caps so, that the semi-resonance takes place at LOADED STATE. Then according to the resonance laws and depending on the  $Q$  factor, the apparent parallel LC circuit resistance can be many times bigger than the individual  $X_L$  or  $X_C$  (and so the consumed power from the power supply is minimal). At the same time big circulating currents exist in the same parallel LC circuit (motor windings).

So the effect will be such: when the RV prime mover is running idle, then it will consume some amount of power and its total resistance is mainly determined by the  $X_L$  of the windings. When loading the RV prime mover, we will get closer to resonant state and the consumed power will NOT increase linearly with loading, but may even DECREASE due to the fact that the overall system resistance might be several times bigger due to high  $Q$  non-linear effect.

In RV under no loading it tends to be self power correcting to line, but relative to phase relation in rotary mode tendency is to be as amplifron amplifier where phase elements tend to be resonant relative to rotation ... the load becomes a reverse inductor were rotor at no mechanical resistance represents a hi impedance relative to stator one. As loaded it becomes a low impedance relative to stator one correspondingly the current - voltage phase angles change.

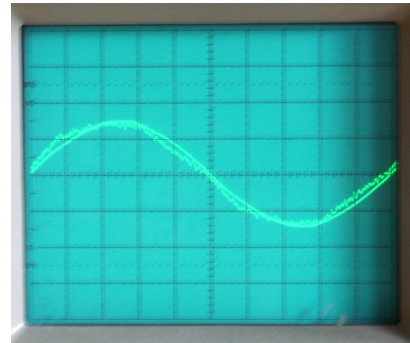
In resonance the current and voltage phases must be 90deg apart - that is FULL LOAD lock. But as RV rotates it goes broadband as toward infinite resistance as ROTOR impedance recedes from stator rotary field in a Hyper broadband semi resonant state, as non reflected power to source until it hits natural synchronous rotation impedance limit were it can't recede further (Acquired Rotation stage).

One interesting thing is a running RV serves as Current flywheel to any motor started on the same line ironing and spreading the POWER surge. A big HP motor running as RV can serve as DAMPER in HI surge power equipment, lowering brown outs and surges on motor starting & other hi surge equipment

If we take the single phase and make it resonate, it will resonate differently in capacity then if all three phases were resonated. The single phase alone will defy the usual concepts of maximum energy transfer also. It will not suffer a drop in voltage when the demand is made on it, because the other phases will contribute their voltage to its cause, and it can be measured that the phase with no load on it actually looses voltage with respect with the phase that has to do work. Anyone with a converted AC car alternator, playing around with driving resonant circuits to its output freq on a single phase of three available should find this out for themselves. We should not suppose that phase exists entirely by itself, and truly a common junction ties them all together because they are tied in WYE. One cannot exactly act independently of another. And if we take the alternator outputs, and try to send them to a transformer to increase the voltage, more illogical things can happen. We cannot connect a WYE-to-WYE transformation, imbalances occur. On the ending WYE to DELTA secondary of the connected transformer we might find voltage only on two of three available outputs.

The values of the capacitors and components are specific to the motor size used. The starting cap is 100-200 $\mu$ F, the running cap is from 7 to 40 $\mu$ F (370V oil caps). Starting cap is to give a boost from 0. Big motors require it to acquire torque to move the rotor mass plus alternator mass to rotational RV effect speed. The run capacitor is chosen as to maintain best 120-degree rotation within the 3PH windings under the intended target load.

Tune with the capacitor values to get PF=1 for input voltage and current. (see scope shot to the right). The 'clean' sine is the voltage, whereas the 'dirty' sine is the current, almost perfectly in phase.



Alternator: for alternator motor, use the corresponding motor voltage according to the grid of your region. You can use a similar motor as your prime mover. But best is HI rpm prime mover and low rpm alternator, in a 1:1 rigid link. So if you use a 1450rpm motor (1725rpm in US), you have a 100Hz (or 120Hz in US) output. An alternator with low core mass has less gain, but the higher frequency compensates the loss. The higher frequencies at the alternator also allow you later to achieve higher resonant Q values and allow the use of much smaller caps.

So wire your alternator for the lowest voltage (eg. 220VAC), as such they give the best radiant energy output. They work OK in 415VAC but lower Q. In a 3PH alternator:  
 $((V1+V2+V3)/3) \times ((A1+A2+A3)/3) \times 1.732 \times PF$  (power factor being reversely applied to RF radiant mode as power is maximal at 0 PF point).

Try various capacitor values in alternator. In one way or the other it will work, as long you get within reverse induction LC parameters, remanent magnetism in core will amplify until radiant energy switches to action.

So with the RV you need to tune 2 caps, the alternator cap and the run cap. First use a bit bigger run cap, get the alternator to properly generate (by selecting/changing the value of alternator's vectoring cap) without bogging down the prime mover. Also you need to do the tuning in the LOADED state, where some useful load is also connected to the alternator. When the alternator works and load is powered, then tune also the prime mover's run cap to the minimal value of consumed current from the power supply.

Study MRA Dynamics apply to rotary motor ones thinking in a reverse mode application where the LOAD tunes system toward RF resonant OU states:

<http://www.rexresearch.com/mra/1mra.htm> and <http://www.rexresearch.com/mra/2mra.htm>

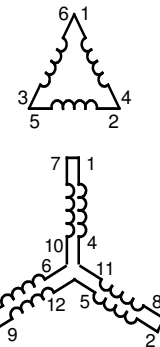
In Hi Q tensor LC becomes energy transforming pump & self sustains; a lowering of temperature indicates transformation of energy from AMBIENT to electrical one ... no magic , just a bit of advance plain science.

VTA,MEG,NEWMAN,Bedini,MRA,Konemotor,RAINmotor.... is same phenomena.

HP is re-rated to 0.5 to 1.8 RV mode from (3 to 7.5 HP) motors. In solar energy applications it's a big difference using inverters; 10 solar cells less you need to run your devices. 40W at 12.7V with a 90% EFF inverter is 3.5 amperes max, compared to 1 HP 890W battery Killer constant 77.9 AMPERES at 12.7 VDC.

Hint: when the alternator part has demagnetized (this happens usually when alternator is allowed to run down with load connected), do these steps in order to get it started again (of course the certain vector-capacitor is always needed between two of the alternator output wires, unless you are using some triple-flux delta system):

1. RV is at standstill stopped and disconnected state (load disconnected from alternator)
2. Take 12V car battery and connect its leads to two of the alternator wires for about 1-2 seconds only. This will restore the small remanent magnetism in alternator core that causes the alternator really to start generate.
3. Fire up the RV as usual. Now it should start to generate easily again.



In PM mode (permanent magnet) the rotor unit becomes ROTARY condenser Magnetic amplifier and generates VARs to the line (KVARs if motor is big). It's NATURALLY OU as there is no Impedance SWR loss reflection resulting in TRUE Magnetic amplification.

A lower powered HI inductance coil attracts a free rotating magnetic pole the higher energy of the ROTATING MAGNETIC FIELD will IMPART its ENERGY to THE LOWER energy region, in this case a stator sector of 3PH motor energized at a lower energy level attracting a field with a higher energy one ... the attracted field will port leading energy factors to it, with proper impedance pure rotary magnetic amplifitron alike amplification is obtained from magnets energy.

Think on the microwave magnetron dynamics, only instead of rotating an electron beam we rotate a magnet at light speed that creates a synchronized amplified M field to rotary LC electric RF components the M field passes its energy to VA field of the source.

RV can give 1HP from 12W input in a well tuned system, and surprise in under-perfect tuned conditions it gives 1 HP for 548W not 746W as book rule. That condition is not easy to attain as it varies from motor to motor but is there to be replicated by anyone wanting. In combination with reverse induction alternator in 3PH LC semi-resonant tanks power levels of 12 times magnitude circulate within LC circuit. This power is RESONANT & radiant in nature as described by TESLA & E Gray. The big difference is that using standard motors & parts, the same power effects can be obtained as the Tesla Amplifying transmitter and Tesla coil, but on low voltage, and E Gray COLD electricity can also be obtained as to FULLY light a 220V bulb under water with nearly no voltage drop using the CURRENT NODE of the circulating standing wave within the RLC circuit. Voltage can be regulated as a TUNING factor in OU circuit, look for a fast raise toward SATURATION and a slower energy transform into a recovered DC vector. CORES will COOL down as predicted in GENESIS transform.

The force to maintain a HI Q radiant self excited oscillation within RV (RotoVerter) LC components is minimal as system gains energy within itself, thermal and stochastic resonance waves add on to the rotating vector forces not subtracting from it ... if induction becomes off phase then wave cancellation occurs and system shuts down and degausses.

Resonance is maintained at higher energy levels than input. Using reverse induction, the rotor is becoming a sort of negative resistor to the power within the Alternator LC circuit. The next path is to understand how to tune and use this power with standard equipment and using standard parts.

The prime-mover acts as transformer. Tuned right it can hit 1.618 gain limited by LINE source parameters. It can hit more with other higher-level technology...PMcus. RV alternator is like a Tibetan crystal bell, similar you can get in semi resonant states from COP 5 to COP 15 LC power circulation in 3 phases. The system can be tailored for single phase also.

The rotor top must rotate toward the rising sun (east) and bottom toward the west. It's funny but you truly spare a few extra watts doing that, and lower your bearing maintenance cost, stabilizing earth on the way. A rotor spinning that way also will weight less in relativistic terms due to low virtual ballistic orbit and centrifugal vectors relative to earth rotation and gravity flux. Anyway use RV for transformation, orient shaft N S (Poles) rotate rotor top east bottom west, and tune to "nature" Harmonics, negative effects are eliminated

As an alternative you can use PC ATX power supply switched to 220VAC and vectored within the capacitor potential. Output can then be diode paralleled to 12V 60A or more depending in ATX power 300W or 450W used.

**Summary:**

As RV starts, it is resonant; as it attains rotation its impedance becomes receding (running away from source); as you load it tends to go back to semi resonant state, where the extra phase takes the power factor lag as a leading angle in the extra phase, balancing input PF 'unity'. As such the power is more efficiently used than in standard all the time energy wasting motor. This can lead to RV LOW WASTE MOTOR design, eff 96% to 98% on LOW power motors and 90% energy savings on basic iddling used like in tools and other intermittent or variable load use.

- PM start: hi Q, low impedance, narrowband LC of resonant state
- PM run no-load: low Q, hi impedance, broadband LC of semi-resonant state
- PM getting loaded: becomes higher Q, lower impedance, narrowbanded LC of semi-resonant state
- Alt higher Q, lower impedance, higher capacitance, higher VARS

Primemover Input [a,b]: Watts = V x A x PF (line input)

3<sup>rd</sup> phase generation within ABC phase relation of that input, we have:

Primemover Motor: Watts = ((V1+V2+V3)/3) x ((A1+A2+A3)/3) x 1.732 x PF (REAL a,b,c 3PH)

Just with this formula, OU is demonstrated.

The extra virtual 120° phase is created by C (and relative to rotor vectors which are at 90° in 2 pole rotor being best eff%), where the capacitor becomes a vectoring element generating the 3 phases within the rotary motor component, that results in power factor correction and EMA effect (electromagnetic amplification) "virtual". In the case of the RV under no load, it becomes broadband hi impedance semi resonant condition, resulting in LOW power usage "energy savings" with one phase leading. Under loading the tendency is to go resonant undergoing transition to low impedance and tendency (determined by tuning) to reflect Unity power factor to line, but undergoing an also unity 120 deg phase shift (120x3=360 ) - relative also from semi resonant condition states ...phases being synchronous and balanced (determined by tuning).

The rotor in RV becomes reverse induction VARIABLE element that determines IMPEDANCE relative to the input frequency and amplitude. So here we take MECHANICAL LOAD as a variable, reflecting a CHANGE in impedance rather than a PURE resistance to energy flow. In doing so, we reduce the thermal loss and increase power gain eff% within the system.

That means the ROTATING element of squirrel cage rides the AC wave, becoming synchronous to it, resulting in a very broadband impedance match to line, reducing loss as if it were a TRUE induction transformer; the energy results in rotary mechanical movement reflecting minimal loss to the source. Results are 90% + minimal savings in idling motors with no loading.

### **The roll of impedance**

Standard motors usually have an impedance of 23 ohm or less. Resonance requires specific impedance where the OU stochastic transform takes place from thermal-magnetic ambient noise. That usually is above 36 Ohms for 12V operation (48 Ohms might be optimal for Konehead type motor). For RV under LOAD is 52.1 ohms with properly tuned capacitor. In a regressing rotating field resistance turns negative and becomes infinite, current reverses back to source. Volts to Ohms ratio 1:4 (12.7VDC - 50.8 Ohms) to 1:5 (12.7VDC - 63.5 Ohms).

With no load, the impedance tends to go infinite assuming a PERFECT motor. As Loaded it goes to 50-Ohm range. OU Energy is related to Q - you Broadband the signal it KILLS OU as energy is lost.

Relation of frequency core mass & winding impedance is KEY to alternate energy R&D -to find the OPTIMAL frequency and voltage performance of MOTORS.

If you take the reverse stochastic thermal transform and multiply by .618, resistance will be 38.735Ohms within an operable LC system in 1:5 ratio system. These RATIOS are MAGIC 1:5 (Voltage - Resistance) (impedance to impedance) and 1:2 capacitor to capacitor stage one to stage two on Konzen type or solid state. This is also applicable to MEG. Resonance is the key.

At semi resonant state HIGH IMPEDANCE, the Rotor becomes a Surfer - RIDER on the ROTARY field motor a surfer puts no load on a sea wave as RV rotor assuming a perfect surfing puts no load to the WAVE it rides.

If you have a frequency, phase or impedance mismatch, you would waste energy (one part for increasing oscillation, the other part for dampening). This is clear in RF power MATCHING.

The current, flowing through the coils, and the number of windings, determines intensity of a magnetic field. So you can have the same strong magnetic field with fewer current and more windings (fewer energy needed for same magnetic field). Over current only saturates cores creating drag (proven in Raivo's "Oversaturated PM generator cores").

One would think that it should be possible to get more torque connecting the motor in 220V instead of 120V. BUT, the impedance changes to WASTE standard dynamics and RV effect is LOST, idea is to LET LOAD RAISE impedance to more efficient power on demand conversion, in 220vac you have a half to 1/4 RV left, other is WASTE ... (try to hit 12W in no load)

In order to RAISE Q you need to LOWER impedance, loading does that as your source frequency is fixed. Refer to RF Transmitter final network tuning in Radio amateur books.

"Impossible" like building a Bedini motor with a 12V car motor Starter stator winding coil .00000013 Ohms we are going back to already tested issues core and coil must be interrelated to their NATURAL resonance frequency Kone TESTED the hi impedance effect and corroborated motors work best in HI impedance modes (no need to go to EV Gray 5KV region) if we can do with 120V on existing hardware .. More practical to PM them up (Permanent Magnet rotors).

And as TRUE UNIVERSAL motors PULSE THEM and AC run them TO OU modes ... the question is who wants to make them? Or who wants to put serious money to manufacture them?

### **Efficiency and Torque**

Standard motors have an efficiency of about 84% (Watt to HP). For a more efficient setup use energy saver type A motors and a 94% efficient inverter type. On some motors HP increases over standard HP rating and exhibits OU in KVAR power factor correction in a line from AC source. This applies to the compared load in original HP rating.

Input when RV is idle: 12-50W on battery inverter side; with fully loaded RV: 890W on inverter side. In RV, HP is re-rated to 0.5 to 1.8 RV mode from 3 to 7.5 HP motors. If the idle draw is 32W, in PM the 32W becomes 320W of VARS (PF correction to source ) being OU - PM RV primemover becomes 161.8% efficient (minimal).

If we take as FACT that a great percentage of industrial and commercial machinery uses power intermittently (as a rotary punch, a lathe, a drill, a grinder, a rotary saw, a reciprocating pump, vacuum pumps and lots more), we sum up the energy savings within the idle states and subtract this relative to standard full load motors, we can conclude that the application of this system can save 36 to 40% of the power usage in the US alone.



|                |                         |             |               |
|----------------|-------------------------|-------------|---------------|
| 1 HP RV        | <40W idling             | 794W loaded | (1HP) 94% eff |
| 1 HP Std Motor | >888W idling            | 940W loaded | (1HP) 79% eff |
|                | constant 848W waste ... |             |               |

This demonstrates that the basic induction motor design can be enhanced using Hi impedance and capacitor phase generation vectoring. This also can be applied to ROTARY condenser machines resulting in EMA where energy can be gained from the medium by mean of transformation.

It has many immediate applications especially in low power AEOLIC, SOLAR co-generation projects, as RV uses 1/5 to 1/10 the energy to co-generate from solar cells .. and that is only the start. The implication is massive, as it permits the operation of otherwise wasteful high power implementations, using now low cost solar alternatives leaving other wise wasted power as reserve, to be used on demand. It makes 1KW to 10KW home cogeneration systems practical ... using PF correction is also OTHER issue as it can be taken to EMA ZPE states. Applications from heat pumps to fans are many ... a bit of lab work prototype and manufacture it is all is needed from off the shelf parts.

The rotoconversion effect applied to power factor correction cogeneration and generation will change forever the way power engineering will be applied in the future, resulting in technologies never dreamed today. RV is actually used as R&D tool, in fact it is the most advance and simplest development in alternate energy in the last 30 years, now slowly and painfully being made public piece by piece.

RV standard eff is 94 % minimal, 10% increase eff over same standard motor. 161.8 % in 3,6,9 sub-harmonic internal superwave integration ... (that is why cone RV runs at faster RPM than normal). With 90%+ (up to 99% in some motors) savings in non-loaded idle modes. That can give all motors in the US 90 % minimal power savings in intermittent loading uses (shifting loads) variable.

PM goes OU providing KVARs to line when is connected synchronous to source power. If PM rotor is supplied, then RV puts more power into Source than it requires to run. Standard EM Universal motor is 60% eff, with PM is 80% eff; average power eff raise is 1.3333. So multiplying 94% x 1.33 = 125% OPPS its OU...

See previous postings on POWER FACTOR & Bedini power Factor Correcting his batteries.. Kones Recovery circuit experience and modification to use NS poles instead of all n poles in RV mode. Any 460VAC generator POWERPLANT can be made into RV Rotary magnetic - "condenser" amplifier ..

So assuming a mass to field ratio, we have a range within witch motors have max gain, then we see a direct relation of frequency mass and field strength in them. Entering into a design with PM rotors where in a near mass limit we have a 91 to 99% eff. At an impedance from 100 to 51.1 ohms for a 10 HP motor we enter a lossless zone were PF becomes reciprocal AMPLIFICATION FACTOR as linear class C amplifier where EMI (in) /EMR (rotor) = EMAF (Amplification factor). Other things apply, as this is oversimplified rule of thumb. See power factor correction; frequency increase compensate mass, so we can have 30 to 100 HP motors that fit in the palm of your hand.

There is an expected torque reduction running the motor at 120V but wired for 460V, which is between 46% to 80% depending on motor, PM 20% to none.

On Torque be careful, as there are many definitions for it from starting, to running torque, "variable" but on rotation can be as hi as one HP full rated for 5HP motor. That is not low power especially at 94% eff.

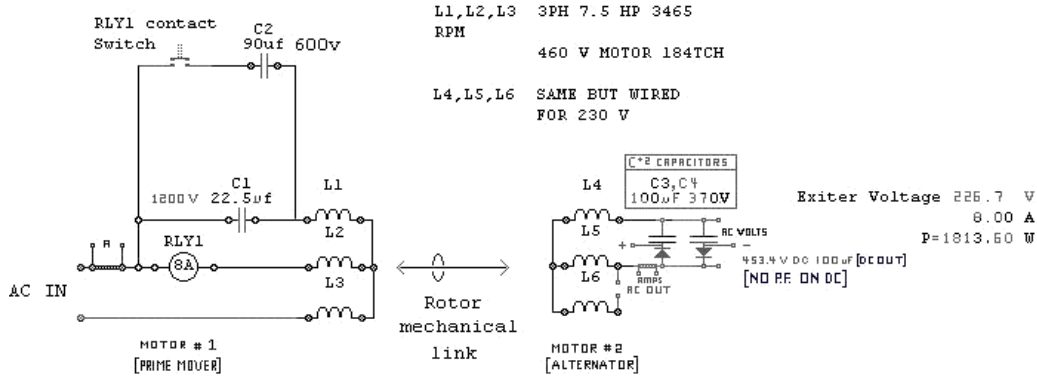
Torque goes dramatically up as PM rotors are used and 3PH windings are switched to provide field rotation. 3 ph frequency controlled AC inverters can be used for this adapted to 120V to drive hi impedance winding 460VAC wired ones.

## Hectors RV tests

He is using special dual-winding motors. In the prime mover he is connecting the windings in series (to 480V mode), but driving the motor only from 110V grid (operating at 1/4 of the voltage). This series-connection further helps to reduce input current. The HI impedance and 3<sup>rd</sup> phase generation create a transformer alike operation where 1/10 power usage can be attained at no load. In his alternator part (the second dual-winding motor) he has connected the windings in parallel - this reduces losses and alternator (generator) internal resistance.

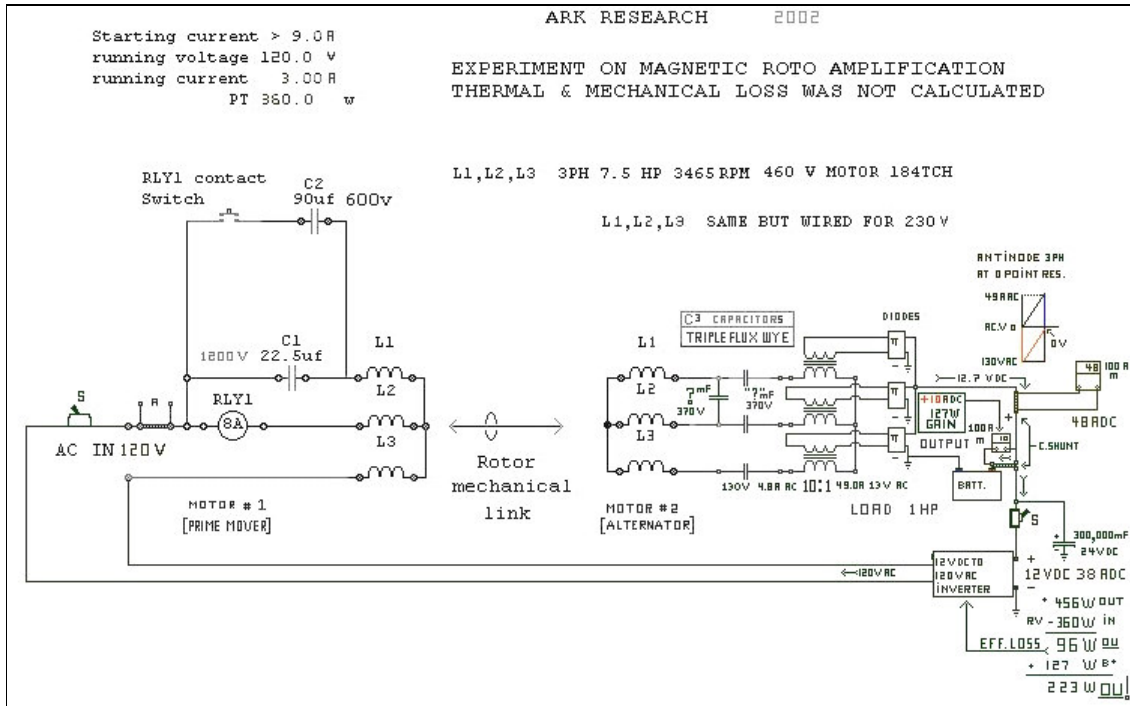
Starting current > 9.0  
 running voltage 116.7  
 running current 2.00  
 PT 233.4 w

EXPERIMENT ON MAGNETIC ROTO AMPLIFICATION  
 THERMAL & MECHANICAL LOSS WAS NOT CALCULATED



The second schematic is an RV looped system. There is one cross-phase cap to tune and keep the alt in semi-resonant state, and there are three coupling caps where again RF and POWER transformer rules apply.

The reason why no fixed values are given, is because EACH motor character is different; even with the same make and same model, the parameters deviate a bit as the % of accuracy in resistors and capacitors .. so to ENCOURAGE tuning no exact values are given .



A 12V car battery initiates the system, it provides power to a 12VDC - 120VAC 1200W AC modified sine-wave inverter (EFF % 94%). This powers the RV main prime-mover (7.5 HP 3PH 230/460VAC 3465 rpm US motor - windings in WYE wired at 460VAC shown as L1, L2, L3). The alternator is an identical (squirrel cage) motor but wired for 230VAC, linked face to face with a motor shaft coupling to prime mover. In the alternator L1, L2, L3 are connected to 3 capacitors coupled to 3 transformers, an extra capacitor is placed in any A, B, C phase as to provide rotor squirrel cage with inductive rotating field.

A rotating magnetic field is created loaded by the battery resistance and the Inverter load; the system is tuned to resonance providing a standing wave current node input to the battery ("negative resistor"), which exceeds the LOAD demand of the inverter recharging the system. At 0 volts a negative current is created as to maintain a reverse flow (charge) to battery exceeding the forward drain of the inverter demand, detuning system with a forward charge at 10 amperes with a voltage rise of approximately .83333 V over the battery voltage charge produces OU transform from the 0 point standing wave component. System gains energy from stochastic

resonance within the LC tank components draining energy from "thermal" signature of the ZPE and K thermodynamic-thermoelectric ambient heat. The System Energy is maintained by the energy of the rotating squirrel cage in regressive reverse induction, requiring energy only to regain a percentage of the energy loss component from the resonant system acting as negative resistor.

Apply bandpass filter to achieve a more suitable impedance match between the alt and the trifos. Idea is to valance the phase angle of current and voltage to vectorize properly the radiant energy across transformer phases; see the battery as a varactor diode that must be compensated at hi Q.

In testing, battery changes resistance as recharging occurs this provokes system to detune from resonant to non-resonant mode drifting from OU to non-OU transform modes. Tendency is to dry out battery, as these are not designed to work in cross current vectors variations. Therefore use separated alternating battery banks and increase inverter input operation voltage (design it for 120VDC input) eliminating the transformers.

System Gain comes from stochastic resonance and ZPE as the magnetic latching occurs within the core-wire LCR components of the motor and its Capacitor driven rotary 3PH fields, in resonance, the time-energy decay is the only energy you require to replenish at to maintain it. A resonant hi Q circuit tends to have a fixed decay, this being as rule of thumb .372 (37.2 %) per full wave oscillation. A spiral is manifested as logarithmic gain of 1.618 within sine-wave gain curve occurs were Voltage "Electrons" are accelerated within virtual oscillatory wall (Stochastic resonance).



To measure the current relation in a RV, use 3 current shunts (can be resistors) 0.1 ohm in WYE. One leg goes to the source battery, one to return (generator to be tested, DC output), and the third to the load (inverter). A common ground is used for all devices (G).

The inverter current must be the sum of return and battery current. As the return equals inverter current and battery current is 0 that is UNITY. When the battery voltage equals Return voltage = unity. As current reverses into battery and battery voltage becomes lower than Return voltage, that signals you got overunity.  $RV > BV = OU$   $COP = RV/BV$  condition under full load.

That is DC Y bridge to measure overunity; an undeniable tool as it measures pure DC. Since 3PHASE DC outputs phases overlap, is very low ripple, hi rectification adding to DC purity, so no ripple artifacts can be attributed as to be cause of error in dc readings.

### **Hectors RV example with light bulbs**

(see picture on Introduction page) First tune the RV to minimal loading (free wheeling - no mechanical load). In the alternator side seek 3 LCs max energy near resonance with less power input. Normal ratio of power in to Virtual LC power is 10:1 compared to input "minimal ". Then READ the ampere load: that means the amperage of EACH LC, you seek a LOAD as filament lightbulb of SAME amperage (e.g.: 220 VAC 4.545A - 1000W - in series you put a 1000W lightbulb to that LC). Do not exceed R ampere rating as it can burn or explode the lightbulb. In case needed, put several bulbs in series and/or parallel to match the voltage and current.

The secret is the STANDARD AMPERES rating in the lightbulb MUST match the LC amperage at resonance. Call it Ampere Load, as in resonance the antinode condition is the only VALID reference measure, retune to compensate for R thermal ambient drift. In RV alternator you can SHORT a 1000W bulb to 0 resistance, and have circulating currents of 1700W with a minimal input. But as short is removed and bulb lights, 500W are immediately required by entropy transform within the voltage drop of bulb ... LC detunes.

Note: Radiant energy at low frequency cannot be used in mercury lamps as it teleports UV radiation within E fields, burning biological entity and causing cancer.

Put the bulb(s) parallel to a switch in "ON" position. Once the current node is attained, put the switch to "OFF" (open it), and the current node will be over the bulb. In RF you have to turn things OFF to turn things ON. Tip:

in LCR as R ampere load is put in LC, the added impedance Value R a part must be capacitor compensated to maintain target resonant state.

First experiment with one leg, then go 3 phase. The reasoning here is you are dealing with RESONANCE and your loading relation is in Phase differences and frequency shifting parameters.

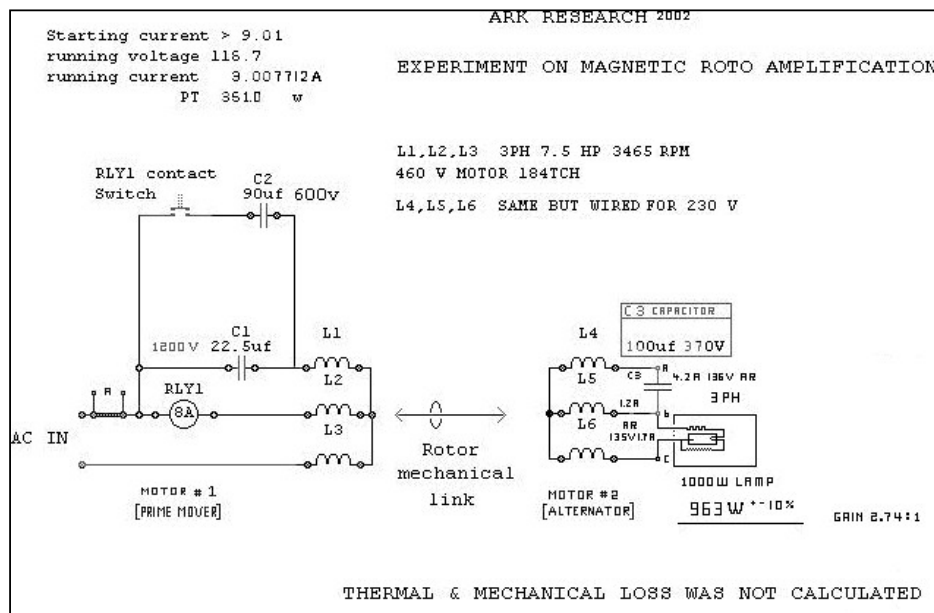
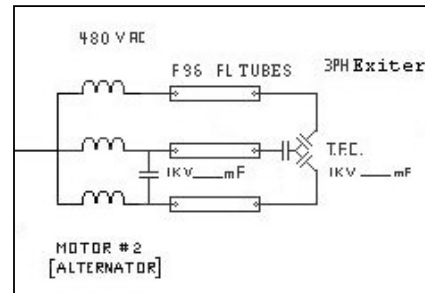
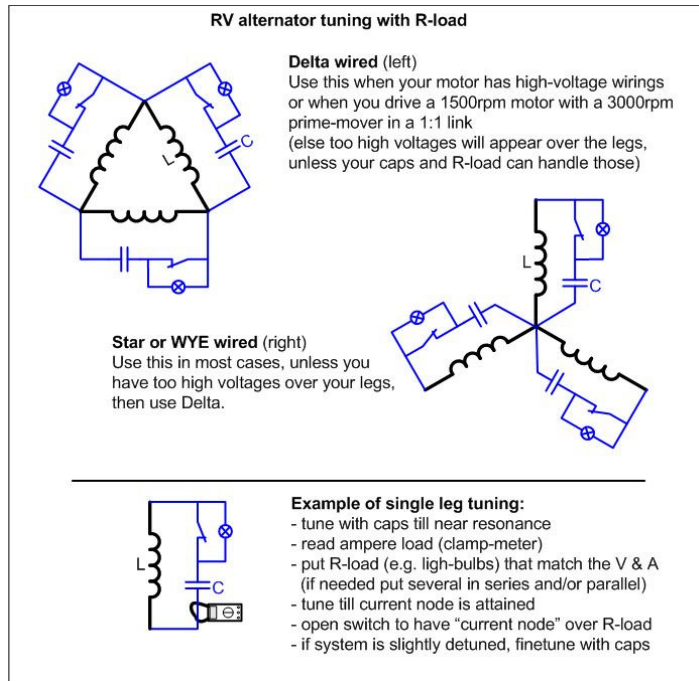
The MASS relative resonance in NODAL segment is revealed here; a single filament matching the AMPERE load of a resonant LC will light at current node Under a MINIMAL voltage drop but giving Same POWER output than a conventional lightbulb (this is what EV GRAY called COLD electricity).

Entropic in logarithmic decay, its true radiated power becomes 1.618 in comparison to input "1" (ratio 1:1.618). A corresponding phase shift is reversed as entropy to primemover, but is usually .618:1 in reverse relation (in VTA and MEG this number was closer to 1:1.313 relation) 461.028W being 1HP not 746W. That is 1000W must be run with 618W at input at unity PF; same luminance as lightbulb directly connected 220VAC. These experiments were done using 60CPS; as frequency increases so does efficiency. The idea is to series resonate LCR as to make virtual power becoming real manifest within physical entity of bulb to create a pure current node were voltage drop of bulb is less than 19.8 VAC being able to operate underwater (220VAC lightbulb as EV Gray demonstrated <http://www.rexresearch.com/evgray/1gray.htm>). Don't try water stuff unless you got 19.8VAC tip to tip in filament, else BANG!

If your alternator provides high voltage (e.g. 790VAC – obtained with 1500rpm motor running at 3000rpm...), you can make tests with FL tubes. You set LC at 790VAC, connect a lot of FL tubes across a parallel switch and as resonance is attained you turn FLs on by turning switch off. (This is for intermittent experimental use, as ELF resonant wave carries the Mercuric UV signal.)

When Hector disclosed the resonant FLs tubes in SLC "1984" and demonstrated the 12W (75W simile) Luminic output, no one paid heed. But now you have 20W lamps giving 100W luminal output. Hectors goal was 8 footers resonating in HF at 1W, but they kept burning out. So lower frequency and less Q was used.

This is WAY over



regular power engineering concepts but REQUIRED as basic for alternate energy R&D as this BOOK rules are the only ones properly justifying theory of TRANSFORMATION to support where OU truly comes from.

Tesla's words are so easy to understand as he tells to tune the POWER source to the LOADS needs (he was using RADIANT energy). That means his circuit was perfectly tuned in resonance at maximal energy while supplying the loads power needs (simple).

Please see the pictures posted on RV and Zeus lamps. In resonance circulating power is 10 to 15 times the input of which 1.618 is true logarithmic stochastic energy gain transformation.

### Next steps and trials

- Change the 3000 (3600) rpm alternator with a 5.5 kW 1500 (1800) rpm one, still connected in a 1:1 link, to have 100 (120) Hz at higher voltage and to attain higher Q. Add in addition diode plug system, and a proper transformer or variac for 165 volt input (EU). Note that the primemover rpm must be same or higher than alternator rpm.
- Variac or Reactive compensated dimmer (Triac) gives you 220 to 0 volts adjustment giving you a range of greater experimentation with different voltages (full range adjustment).
- Automate the switch on & off of the start caps with a current relay. You can buy this or make yourself. Raivo did this by wrapping 2 turns of (thick) wire around a toroid transformer. This wire forms the 'primary' is goes to the start caps. To the transformer's secondary of 14VAC, add a full-wave bridge and a cap (1000uF), and connect this to the coil of a 12V 40A relay. If the current exceeds about 5A, the relay is turned on and starting capacitor is connected. After the required RPM has reached, the current decreases below the threshold and starting capacitor is disconnected.
- Look for screws crossing rotor core, acting as short windings. Insulate those at one end eliminating short.
- When energy is extracted from caps of the primemover, the input power goes 2 to 3 times higher than output. So let the prime mover act as PM; no power extraction from it. Attach alternator or generator to PM.
- In the primemover, you can extract power by putting a resistive load (light) in series with the caps, matching light amperes to capacitor amperes, at the current node. Its very interesting what you can get with VA phase relation and valanced phase relation, try 3 lightbulb delta compensate rotation. Try to light the bulbs at same intensity (use safety eye lens in case a bulb explodes).
- If you have a primemover with strong permanent magnets, you can get OU from the primemover alone...but you might as well turning a generator if looking for maximum OU and perhaps a selfrunner. Going high impedance, rotary condenser becomes EMA (Electro Magnetic Amplification). As a M field attracts another M field of mayor intensity, the second apporters energy to the first. Any EM rotor in any generator run in RV-mode becomes a free energy device, first correcting PF and second pure EMA rotary effect (rotary condenser to rotary Magnetic Amplifier). That is the secret of EVGray, Bedini, Newman, MEG, VTA ... universal laws.
- If the alternator is run with no load, any loss will reflect to the source as drag & power use increase.
- Shunt winding (reversed opposing wire turns): rewire alternator to eliminate those. Test the core in an empty non wired run to test core magnetic drag, too much loss, use motor standard motor core with PM rotor and forget alternator if you cant find good ones with low loss cores
- It's easier to get a standard motor to work in PM pulse motor modes than to redesign in Newman, Bedini or axial mode ones.
- An EM rotor RV can be used for the power factor correction and KVAR OU tests and experiments.
- Take a modern motor with a modern PM rotor. Make sure it's not oversaturated to magnetic drag like wind PM alternators are, and you have something interesting. See further.
- Uses: cyclo-converters, power factor RC correction, asynchronous generation (Solar, aeolic, Hydro applications) Motive power (prime mover) tools, cars, airplanes, lawnmowers and infinite applications on other products all in low power energy savings modes.. (green compliant) products.
- RE-WIRE a common 120vac motor to 460V and use 120 VAC. The 90 deg STARTING WINDING being tuned for best angle phase shading using OIL capacitors you get RV EFFECT. Also if you run 120V motor at 24VAC using right values of capacitors for starting and running you get RV effect.
- RV mode can be made small using 1Khz motors and inverters but requires high expertise, the smaller the more expensive it becomes to create.

- A 230/460VAC 3PH motor wired for 460V equipped with N S poles rotor as to work on ATTRACTION by means of PULSE management (120V pulsed) may be the easy way to make OU motor, as ATTRACTIVE force does not degauss rotor magnets. The CEMF can be collected by reverse diodes in IGTB or transistor switching array for a full 3 Phase "modified" sine wave operation (having the advantage of Bedini like PM magneter operation and the Johnson wave effect).

[http://freeenergynews.com/directory/howard\\_johnson\\_motor/blueprints/hard\\_replicate/](http://freeenergynews.com/directory/howard_johnson_motor/blueprints/hard_replicate/)

For a generator the best design is the MAGNETIC DISTRIBUTOR GENERATOR CONCEPT made with care to avoid shorting the flux path of AC magnetics.

- Run your prime-mover from an inverter. For RV experiments, best use is >90% eff , least idle draw (<1A), with modified sine wave (no compound sine waves). For the required power, calculate the required Watts based on the motor size used. Keep in mind the starting peak power demand. For example, a 5HP motor might need 2000-2500W for 10 seconds to start, after which 1000W is OK for running load conditions. Consider also a safe margin, so a 1200-1500W inverter, with 2500-3000W peak is good. A microwave transformer can be used as inverter with a single transistor using 12VDC as input; to light FL 8 footers and as HI voltage source.

RVs work well with MODIFIED sine-wave inverters, but I do not recommend compound sine wave ones. RV is not friendly to frequency harmonics as it brakes at over-speed in high frequency, as VOLTAGE tends to go infinite. It tends to shoot to next octave, it de-phases third phase angle and brakes down as capacitor generates over-voltage at lower frequency than input line, becoming a solid conductor in an instant to hi frequency signal from input, equaling to a self induced short. Pulse-length control might mitigate over speed, LOADING at specific load also. Variable speed inverter permits to find best performance figures. The RV may be reflecting power back reactively across inverter TR diodes maintaining switch on and shorting it to overload. Try a 5uF capacitor parallel to input line to take input load at start as more "resistive" surge disconnect as rotation is attained. Some inverters simply can't take reactive loads too well especially cheap imports, so use higher power version.

As RV starts there is a hi Q resonant vectoring creating the initial narrow-banded hi power starting rotary currents within the 3PH vectors. As the motor accelerates, the impedance relation to a receding impedance equivalent to a 0 Ohm short in rotor is transformed to impedance traveling toward infinite resistance (600+ ohms) as rotor attains synchronous speed and locks to rotary field in a LONGER very broad-banded region of resonant crest in apparent on resonant condition with a resulting very low power consumption.

In any case the impedance of the circuit will be changing if you run from an inverter. Now you must optimize as to permit MATCHING in START capacitance to INVERTER and run capacitance. If the motor can't start on the lower power curve adjusted to inverter, switch to the inverter when the prime-mover is already running from household power, and then adjust running capacitor for best rotation performance.

Some inverters permit pulse-length time adjust. Find if yours can be adjusted using scope. On power, use DC shunt to battery DC readings for total power use. Your AC is a localized loop in a second stage, PF can give you higher readings not related to real input if by sample you get 10 to 30 amps in inverter that is a more real reliable reading as is a no meter lie DC parameter. The target <15 amps 12.7VDC or lower.

## Looping the RV

For direct looping the RV system, you need integral wave Cyclo-conversion. If not then you need a battery for power conversion, because asynchronous motors without permanent magnet have a slip, as such creating a lower frequency. Also the prime-mover frequency must be higher than the desired alternator one, due to the slip (speed must be compensated in AC). In DC it's just having more volts and current, than at the input to inverter.

There is vectoring that comes to play, to convert those radiant states "OU" to a real vector potential Q, resonance and phase angles are the key; with proper tuning stable looping is achieved within a charge-discharge cycle operation (OU – under-OU – OU – under-OU cycles like Kone did) in a wide shallow cycle.

It's good to have a broadband quantity of capacitor values to play with the tuning set-ups ... can be tripleflux delta - wye combos with transformers, diode bridges and diode plugs.

In Hector's RV looped schematic, the Radiant Energy can be coupled through the trifos like standard electricity by applying the RF and power transform rules.

See [http://www.ibiblio.org/obp/electricCircuits/AC/AC\\_8.html](http://www.ibiblio.org/obp/electricCircuits/AC/AC_8.html) . Radiant energy must be Rephased in order to be transformed properly in standard transformers or use RF homopolar transformers.

Tip: you got Alternator VOLTAGE relative to IMPEDANCE and capacity; Hi voltage lower capacitance ... LOW VOLTAGE HI CAPACITANCE (sample 200V-100uF; 20V-1000uF; 10V-2000uF). Interesting to note that the CORE density is relative to L1 HV to L2 LV, where CORE defines L1,L2 Q relation where null zone is within CORE itself (reread info re ferroresonance RECORDING commentary).

Being alternator PM, then C can be in a value to acquire charge in logarithmic resonant half waves (DIODE PLUG) wherever on reverse induction we need to maintain pressure wall reflective to source to maintain the core self excitation. Values need to be rotary standing wave within a given voltage value determining the broadbanding of signal (in this case Hypersignal).

The swing of particles within matter from + electron values to negative POSITRON ones in hyperdimensional fabric where electron becomes elektron (with K) charging energy from timereversal hypesignal, is what makes looping self sustaining, but at same time DEGAUSSES and transforms LOCAL time-space into a singularity.

On RF the trick is feeding a HI Q 60CPS LC with the battery being a plug capacitor load on it. Compensate for VARACTOR detuning effect. Its no Mystery but a matching and in vitro application issue.

([http://www.nuenergy.org/alt/energy\\_amplification.htm](http://www.nuenergy.org/alt/energy_amplification.htm)) The need to keep to the BASIC essential where the OU transform manifest is the key.

Remember R represents a series L to L and series C to C, and reflects as such a purely resistive load were RA and RV are theoretically in phase at a 0 angle or POINT in SPACE, like the centre of a balance in an equilibrium. So the REAL value is a virtual Ampere load as seen by the pure LC where Voltage is not reflecting the reality of that point but shifted to other point within the circuit ... node , anti-node. In ZPE and magnetic amplification this is the difficulty the experts stumble, the reality every part parameter reflects in the other.

A battery by sample, its L its R and its C, has an intrinsic resonant value as a unit or its parts, it's a self tuning on state device with those R, C, L values being VARIABLES within a working unit. The reason Kone-motor was working in OU - non OU cycles and the reason Engineers failed to analyze properly. ED also met the wave within the Wave oscillations in a partial loop.

The battery as seen by L from a rising AC half sinewave is C "capacitance", when CL frequency equals the WAVE frequency, the POWER multiplies by 1.618 in LOGARITHMIC EMA; this multiplied also by Q EMA factor ... gives OU gain over Isotropic virtual dipole. (a need to know in deep Bedini and Kone design and the term Hector used that BEDINI just POWER FACTOR corrected his battery...).

Increase C in LRC to compensate R broadbanding loss . If mathematically we have sine & cosine, it is obvious in energy we got same manifest that represent energy transform. The famous "negentropy" Bearden mentioned so much, but failed to demonstrate others.

If the diode plug recovery circuit/impedance match test with the 10:1 trifos is successful, then try to find out how one can connect three trifos & plugs to a single battery.

Similar or identical motors, identical will be interesting as the radiant readings on the alternator side and temperature versus impedance issues can be compared, also as is, motor alternator gives flexibility to use to "primemove" any other machine "2 RVs ".

## **RV with Permanent Magnet rotor Alternator**

RV with PM (Permanent Magnet) rotor can be used. PM force must be calculated as not to over-saturate the core. Konzen motor type experiments and Raivo & Rain Electric Turbine modeling. 15,000RPM and 11k of centrifugal energy spinning rotor. These motors in PM version can be operated in Pulse mode, where the magnetic phenomena Amplification does occur (Kone had attained in vitro in his advanced pulse motor conversion). Secret is Frequency and pulse-length & voltage intensity adjustment to attain overunity (Magnetic rotary amplification).

Reasons to build PM RV from 3PH motor:

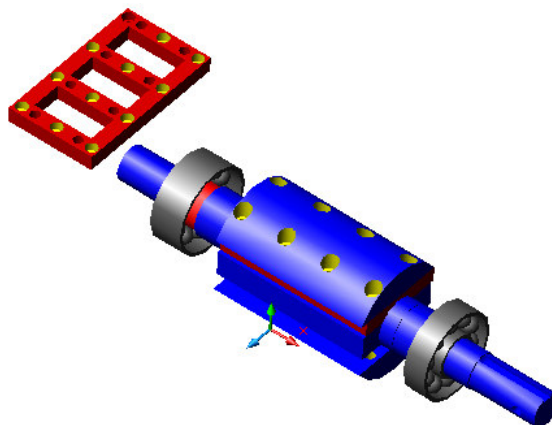
- optimal size (10HP), advanced "toy"
- relatively easy, standard (it helps us to advance more quickly using standard methods)
- BUSINESS OPPORTUNITY: I recommend production - as would probably find many (10+) people in the EVGRAY group willing to buy (synchro-motors are far too expensive to buy).
- wide area of use: you can use these as 3PH motor, PM RV, PM alternator, wind gen, PF correction
- it is OU

A continuous RESONANT wave surfing PM rotor makes the RV superior to ANY other motor ever made. Such state can be obtained in HI impedance RV effect using modified sine wave inverters. That's the advantage of 3PH 90 deg force vector and oval shaped rotary Phasor fields.

A PM RV pulse motor is the best mix of the 2, and there is a lot more as this is only the tip of the iceberg (ref. to Hector's 111 phases Electric Axial coreless turbine). If you convert RV to PM you can pulse it with 6 reced switches or Opto-Transistors and 6 recovery diodes in 3PH bridge.

Metal for half moons & centre body parts recommended is speaker end plates, Mu metal alloy low remanance hi conductivity HF harmonic tolerant. Or for the Half Moon, use ceramics 5 & 8.

The half-moons on the picture to the right (© Raivo) are made of magnet conductive steel, as is the central part (2-pole diagram in picture). The rotor must be highly conductive. The red "sleeve" or "jacket" is made of dur-aluminium (or stainless steel, but expensive to do) in order not to short out magnets and to make the structure strong (the drawing is for 2 x 1 x .5 " strong NEO magnets). Depending on the motor power rating you may need a version with maybe 5 magnets in a row (total 2x5 = 10). The magnets are oriented such that one half moon is North and the other South, so 2 poles N-S. The magnets must be separated from each other, then the field distribution M force lines choose the iron core path instead of themselves, so to help localize the field to metal core.



If the magnets are too powerful, it over-saturates the core (laminations) under room temperature (Meisner effect - partial superconductivity). This creates a high drag at magneto-atomic level; separate from core, loss decreases as field drag decreases. Also distance influences impedance of coil so it affects timing circuit effectivity, shortening or narrowing pulse CEMF. Find its magnetic saturation point at given frequency voltage and current potential. If you cant move it with a finger at no loading, the engineering is no good and generator is no good for ZPE and or RS (Rotoverter System work). The importance of the meaning LOW lenz component is a LOW reflection of mechanical POWER to the primemover, so it's obvious by now that if a mechanical system is loaded by the generator it drives way over the energy it produces its not OU.

A car alternator is 37% eff average, but electronics needed to regulate the voltage. With a PM rotor non-saturating, the eff is 75%. Using proper core 98% to 161.8% eff (resonant ) hi Q. Right now 99.999% of all generators commercialy available are unfit for Alternate energy and ZPE R&D use.

The iron or steel in the stator cores in existing 3ph motors is good and fine if you have constructed a homemade or modified PM rotor, ONLY if the magnets are fairly weak ones (like maybe grade 10 neo for instance). However if you use the strongest neodymium magnets in those rotors, the LATCH against the iron/steel (even if laminate) will ruin any sort of advantage of using strong magnets. So this means AIR-cores, or black sand cores or metglass stator cores.

If you use grade 45 neodymium magnets, there is not going to be any resonation in those cores, just a lot of latch, "pulling" everything "one way". Perhaps with lots of power input, you could balance-out the force of the neos whirling inside the iron stator cores, BUT then you get HEAT PROBLEMS with iron or steel cores. If building or modifying your own motor, you should use the strongest magnets possible. Then against these super strong magnets, the coil's cores should be/have to be: air, black sand, or metglas (no heat build-up when lots of power from low hysteresis).

This will be near impossible to do with the stators in existing 3ph motors - some will be better, (laminates) but they all have too much latch against strong neos. Everything that happens mechanically and dynamically with a 3ph motor can be done "axially" as well as the existing standard "radial" design in 3ph motors; this by side-saddle stator banks, and Muller-like imbedded-magnet rotor in between. It's simple to make motors like this, probably much easier than just machining a PM rotor to fit inside existing 3ph rotor.

In order to determine the magnetic strength needed (how many magnets and how strong), have Gauss readings of the CORE metal subjected to M field & let that field collapse under controlled conditions to get highest CEMF level at minimal gauss. This can be determined by pulse discharge and other methods, conductance, remanance, reluctance are important to ROTOR -stator relation parameters. Excessive powerful magnets will create DRAG & heat from a given point further; intensity creates undesirable eddy current effects. If the magnet is too strong, the laminate becomes a shorted conductor turn to it creating drag, so core magnetization, core material, speed,



ampere turn, intended load, impedance and a lot of detailing must be done to acquire ART perfection necessary for improving current technology to standards required for OU transformation.

First, obtain good motor 3-7HP that takes normally let's say 60W max (good bearings, no fan) driven in RV mode. Take it into pieces and measure, print out this schematic, calculate new dimensions and let specialist to make PM motor for you. Also old compressor motor cores can be used to make PM generators if good (compressors usually fail due to valve problems). Cut sealed compressors along the weld line, 3/8 deep. Advantage of compressor stators is that they are not painted or epoxied. They can be rewired more easily.

The target in a generator is no load near 0 mechanical load. Coreless PM gen 0 load must be no higher than .003%. The target in a motor "Primemover-driver" is no load 0 power demand.

In PM (permanent magnet) RS (rotoconversion system) motor synchronized to line is SYNCHRONOUS CONDENSER MACHINE and provides KVARs to system in OU EMA modes at HI impedance.

That is MAGNETIC ROTOR field intensity determines KVARs injected in supply system ... an EM (Electromagnet) driven system makes it possible to control PF and Electromagnetic Amplification EMA level, also adjusting Rotation angles (phasors) of electric signal (Power).

Suming it up perfect generator minimal drag at no load; maximal power output with low loading to source. Perfect motor minimal Power use at no load max eff at loading in HP output (lowest power usage per HP ).

Using Permanent Magnet rotor all HP ranges can be used by frequency and speed being determinant of performance to EACH motor, PM must never exceed the saturation of cores; this MUST cool down but never HEAT up under semy resonant power. Generating or working as a motor (Prime Mover) same factors apply.

Every motor and generator has an OPTIMAL speed & frequency and Loading factors, where it is more efficient and performs the best.(Lab proven & tested ). Within a certain RANGE, most of them can exhibit overunity phenomena due to natural magnetic amplification EMA effects.

If someone has real interest, the path to follow is to buy existing MOTOR manufacturer and convert part of a production line to built PM RVs, and contract Hector for re-educating the engineers in a lab.

## PM Multi-phase dynamotors

Alternatively, as an advanced search to lower the cost in making super E PM motor-generators, you can make a multi-phase alternator from a PM DC brush motor. Prepare its stator to be used as a rotor, and its rotor to be used as stator wired for 3 phases or more (Hector took a Baldor CDP3455 motor). If we see in a DC motor, only a segment of its rotor contacts the brushes 1/5 to 1/20, so if we fix the rotor and as a delta 40 phases (example) winding place diodes on each segment, our 1 HP DC motor becomes a 10KW AC to DC 40 phases generator.

The diodes must be placed as follows: 2 diodes (one positive one negative) to each segment, all negatives to common negative, all positives to common positive, all wires same length. 40 phases, rectified 9° each apart from the other = super low ripple DC double voltage 5 amp per segment; that is 360V at 200A max (72KW) surge max (hi speed) ...7.2KW constant rating low speed. Interesting to concentrate such power in under 20Kg.

Each commutator segment is a phase - they overlap at  $360/P$  where P is number of commutator segments wired in DELTA. (Read Tesla 3rd brush regulation: "he was telling something BIG there", but no one noticed). Divide P by 360 and you get the phase angles. Calculate the peak of each phase in time to get the ripple factor (e.g. 44 segments =  $8.18^\circ$  phase angle = ripple of 1/4%). So the ripple is near 0, except for the edge modulation caused in the  $\text{rpm} \times \text{number of phases} \times 2$  (poles) harmonics. These will be also rectified and filtered into DC component but complement strongly at slow speeds.

See picture to the right of a disassembled PM DC motor with 44 segments. This motor goes up to 15000 rpm.

You can use H steel beam to hold stator as end bell in long shaft, and prepare the rotor as stator with the commutator segments tapped to use as pulsemotor, generator and dynoconverter; or just



drive it with RV to address the PM drag issues and design. Preliminary experiments can be done with PM fan motors, air conditioner FANS, wiper motors, blower motors or any PM stator brush DC motor.

The PM ones Outer Stator is placed in cup at end of shaft ....the rotor is fixed to a plate as to fit like original inside but is fixed to it non rotating , the commutator is then diode bridged as a multy phase alternator , if laminate is good quality.

Since rotor magnets are inside, centrifugal force maintains them in place inside cylinder. It can also be micro valanced for hi speed 24K RPM; that increases power to 50KW, using hot fast switching hi voltage diodes. But this thing can generate power by moving it with the hand.

Any PM car motor can be converted to multi-phase alternator, like the fan, wiper, air conditioner fan. Just disassemble a toy motor (3 phases) or car wiper motor (12 to 24 phases depending on make).

In starter motors, the PM stator made into rotors are OK for hi current hi speed low voltage DC generation. 10 diode rectifiers from standard alternators work the 33 phases (Delta) 10.90909°. You can fire 3 phases segments in pulsemode to get not 15 but 100HP at 30,000 rpm (depends in laminate quality). You can pulse 1 segment each 4 steps and "pulsemotor" it to hi speed super HP RV dynamotor Turbine. The diodes will recover every CEMF you can create there; also you can run in 3PH and generate in 12, 24, 40 phases or whatever phases your DC commutator segments may have

### Micro-energetic cyclo-conversion

As mentioned before, the importance is to saturate the core and let it decay with its added ambient energy component into the power recovery circuit (Ringing); OU energy "one shot" Cycloconverter. Review phasing, once a coil is taken to saturation, there is no need to discharge the whole capacitor into it (ping it to saturation cut off). In a cycloconverter, one frequency excites it, another extracts the energy (the "short" excites the "long").

In order for looping any resonant OU system, the Hyper modulated signal from Super signal must be tapped from the natural Universal SINE integral energy component, which is 3Hz. It's taped using 1.618 frequency incremental step up and relative Q from 8 transformation elements, the first FEEDBACK Q relation is based in this ratio. (.215 .021 .002 values in octaves can range from 1 to 81). 3,6,9 (the MICRO relates to the MACRO) remember a lower signal can arise to a sequential creation of higher energy ones; like the Transformer ferro-resonance experiment recording showed.

In another way, I am telling that RV can be directly looped by dividing one alternator frequency segment in 2 ( $60/2=30$ ), and mix that f to obtain 90 ( $90\text{CPS}/3=30$  --  $30/10=3$ ) from other segments using filter mixer array. The sub-harmonic of sine integral looping SINEWAVE superwave component is 3 cycles per second; unit loops and de-loops OU non-OU in this frequency. In a Universal Inverse Reactive Motor-Generator such a signal is fed BACK to primemover at .621 ratio of alternator voltage level (in this case  $215\text{VAC} \times .621 = 133.515\text{VAC}$ ) at 90CPS were slip of squirrel cage reduces to 73 CPS maintaining a TENSOR of RESISTANCE against ACCELERATION (negative reverse energy and POSITIVE forward induction Valance - opposed pairs).

Unvalanced phases create the hyperwave. The unit tunes & detunes as a low CPS signal, hypermodulating the first from 0 to max. Average your capacitor values across all phases to lower this effect. In LOOPING this effect is NORMAL, because once your source is charged system goes under OU, it discharges then goes OU again in a slow long sine wave. This is what happened in Kone looped motor OU - non-OU - OU - non-OU. In any incremental tuned amplifier there is this tendency to detune and die as it overdrives and cuts off, its one of the priority listed bitch thing to understand in tuning in a looped system you have this cycling and its normal. If you maintain LOADING, you can regulate TUNE to any sweet spot you want. Best sample is to put DIODE bridge in LC and hook output to a car starter motor. As system starts motor is seen as a short, as motor accelerates resistance & impedance increases, LC power will die motor will stop, as it stops again is seen as a short and it will power on again. But if you PRONY break it you can maintain LOAD at a GIVEN standing wave were POWER will be sustained. In extracting power from ANY OU system this is VITAL to understand as HOW power loading can tune or detune a system. The In vitro experimentation is the TEXT book needed to understand this, else theory will take 300 years to learn. I don't think any of us here have that much time to waste.

The typical slip of a squirrel cage motor in STANDARD use is between 1 and 4% depending of the load. But in RV looping, time becomes relative as  $f = V$  (frequency = velocity). Time (t) becomes a variable within RF rotary field. This is way advanced, but as more experiments are done to apply radiant energy this will be understood. The capacitors will cut off over-acceleration if tailored to stress non-OU to over OU. In PM just be careful with direct looping, as it will ping in incremental upper harmonics and pieces will fly up in the air and end as a burning piece of crap in floor. (remember pulleys (low drag ones) can substitute cycloconversion).

Tuning definitely at this stage is "ultra bitchy", but with 18 basic ways to do it can't be missed. Just remember load determines LC tuning in alternator, acceleration detunes LC, so its self-regulating angle of ROTATION

frequency "LOADED". Primemover PF must be near unity 1, but alternator needs to be 'wasted' (PF=0), leading far over primemover rotation.

Try to resonate at HI Q your coils at 27, 30, 33 cycles per second in triangle 3x3 (star of David) one half pulse feeds each one other half pulse feeds other 3. The relation is to create a wave within a wave to tap 3Hz Universal Sinewave integral. Base frequency is 90Hz that means HALF pulse at HALF the time. Superwave WAVITON integration to fundamental frequency input within 3 phases ... (natural Cyclo-conversion and frequency integration) Stochastic frequency mixing..

On a scope you see a semi-rectified feedback with an overlapping mother lode at 3 CPS that will take your motor way OU. It will be difficult to tune each COIL, but the frequency relation (n-constant) is what is important in this case for  $90/3$  base = 30, where (n) is 3. Even if the frequency changes, (n) is  $.6666 \times$  (base). A frequency creates another of stronger magnitude than the first, but is as it were a HOLOGRAM within the rotary engine.

ABC triangle (3) with ABC second inverted triangle (3) and sequence as explained in any octave from 1 to 81. It's high-level order technology. Don't expect to understand it if you don't do the lab. It's Energy Hologram forming. 3 basic colours, interrelate to form 6;  $6 + 3 = 9$ ; 1,4,8,8,5,7 1.42857 .142857 The micro relates to the macro and the macro relates to the micro.

RV is the Star of David in your hands you need the BASE or the ARK of the covenant to unleash its power upon the world. Study the solar rays as they pass a triangular prism: 3 rods at its tips, run it in 3 phases at the frequency of light. What do you get? Up-convert and down-convert to it ... the universal "hologram".

Since all power is interrelated, you can use the system as wireless Internet by pumping a broadbanded superimposed signal in a triangular crystal lattice and use a NEUTRON frequency signal as super-modulation to 3 CPS one (Atomic stochastic amplification). 100,000 times more powerful than nuclear energy as used standard.

Harmonics are created within non-linear components, where in the RV/TV we 'only' have Ls & Cs? But harmonics can be natural fundamental in FORCED electrical fundamental within a transformer or device. The Forced Fundamental, say 50 CPS, does not necessarily needs to be the NATURAL fundamental of a transformer. A transformer frequency range can be in a set of natural frequency fundamental to its own construction, say 47 to 570CPS.

Reverse induction creates BASIC 3 phase in fundamental frequency region and tends to be table as is determined by speed the LC bandwidth determines the Range of Q within a speed variable in reverse induction the ROTOR is a NEGATIVE RESISTOR providing ENERGY to LC, as to keep oscillations at hi energy level. In solid state the highest Q the lower the energy required in input to sustain it. The same applies to rotary engine.

*Indian secret "Lingam power" unveiled. Now you all know even if its "encrypted" is symbolically designed to activate "hidden knowledge" already contained in HUMAN GENETIC code for this work; idea will pop to mind like a shotgun blast " just retain it " and apply.*

*To run 3 brains in 3 phases (red for heart chakra, blue for right lung upper chakra and yellow for pineal gland). R L & central NS will run in 3 phases rotation upon vectorizing mindwaves in 3CPS. Blue cachina stargate opens, and I reveal my face...*

## Further considerations

The concept of RV alternator is not new, as to use any motor as a generator putting a capacitor in any ABC phases, but using RESONANCE LRC concept in series is new and is Hector's public domain copyright. RV was meant as a power source for the now free domain Ecklin-Brown generator (1978 patent expired).

Before building a RV, one could think of it as just a motor configured to run more efficiently with capacitors. But there is more here than just that. It is impedance matching (the famous dipole theory taken to practical application, semi-resonant principles are interacting here with the virtual creation of extra phases. All Seike's Ultra-relativity formulations apply here on rotating magnetic fields.

RV is not important on its own, but what is important is that you learn how to make it WORK and use it as a tool (as the recovery circuits). Integrating RV knowledge to it is what will permit you to use these motors connected to an AC line & at higher intermediate POWER to attain replication of E-Gray concept & overunity.

As RV is taking solid ground, lets put the facts on the table:

- Standard motor stators in motors are more efficient as HP goes up: 50% low power, to 98%+ hi power HP (<http://www.reliance.com/prodserv/motgen/b2838.htm>); Eff goes up as rotor mass goes up.
- Baldor high eff motors: 100% eff at 10 HP; In RV mode and with PM rotors, they are OU.
- The primemover is demonstrated: RV effect (rotoconversion)

- The alternator is demonstrated: RF RADIANT ENERGY (Tesla, E.Gray, Keely, Hendershot, Bedini, Bearden, Newman, Wootan systems).
- The RESONANCE is in OU RADIANT ENERGY levels within rotoverter alternator. Idea is to extract RADIANT ENERGY WITH NO LOADING to SOURCE.

Any motor can be run at RV mode, even single phase ones, but the reason this has not been discussed is that you cannot find 460VAC motors in single phase. A single-phase motor with start winding can be converted to RV, but requires much more capacitance making it more expensive. Its starting winding is at 45°, shading the main winding, which gives much less torque than the 3 phase one. The capacitor and phase angle create a “wedge” wave effect more acute than in 3PH, but requires greater control (step-down transformer or variac). Tesla bi-phase motors are better to use in one phase but no one manufactures them.

The RV equates TESLA COIL primary without the spark and massive hi voltages but with same RF "capacity" for pulse operation, RV reverse induction is similar to the finger in the wet glass cup trick except is done by electrically augmenting the signal instead of mechanical acoustic mean.

This link [http://pirt.asu.edu/detail\\_3.asp?ID=811&offset=200](http://pirt.asu.edu/detail_3.asp?ID=811&offset=200) takes you to a series of acoustic resonance experiments that explain well what takes place in RV alternator insides. It's an ELECTRICAL equivalent as acoustics LAWS apply to electric ones.

There is a big difference in standard ADD a phase and RV modes. RV modes can be attained in a one phase operation, but there are NO motors WIRED for 460Volts in single-phase mode. That is why I used 3 phase and at the same time attain more gain by the Capacitor extra phase generation. There is also a more convenient phase angle than in the standard starting winding of a single-phase motor.

In testing made way back using a 120/230/460 3ph generator, we replaced the exciter unit with a variable power supply feeding the ROTOR to magnetize it "no slip". We found the device lowered the power usage of the lab devices 40% as it corrected the POWER factor.

In RV mode, current in RV lines increased as we magnetized rotor but current *decreased to utility lines*...PF correction, magic word to hide OU & free energy so leave it there is PF. It is interesting to note it also corrects the PF of a battery, as if pulsed in gives pulsed back more power than what it used to move itself! Konzen is correcting the Power factor of his battery. Bedini and Newman is the same. MEG corrected the core PF... (Keep this as is another containing revealing answers - slightly encrypted but evident for smart eyes). Note that a Rotophase (<http://home.earthlink.net/~ojmsmith/indexd.html>) differs from RV mode in IMPEDANCE, voltage, current, operation & transformation theory.

Its energy savings potential can't be overlooked for long, its a matter of time the engineering community starts looking to Rotoconversion modes and its applications, the magic words are cost effective, viable, durable, redundant, standard base design (off the shelf hardware) simple construct.

Best alternators you can built is taking DC pm motors and using the commutator as phases into - + diode multi-phase bridge, mounting stator magnets into same ID pipe coupled to RV shaft as External gen rotor and using rotor fixed to shaft support as stator .... from each commutator segment same wire length is used into diode bridge .... Much more efficient than car alternator (more phases). Adds up as 15 phases uses 4 for brush contact means 375% more power performance as a generator if you diode rectify each one into outside PM rotor with internal brushless stator ...

I had no other choice than to give this the way I had done and without the dedication of people efforts to replicate the experiments it might just still be an useless paper posted as a curio in an internet page, so Humanity owns a debt of gratitude to those taking the first step, without you the RV potential might have remained unknown and I might already be dead. Sooner or later a motor manufacturer will take an eye on these systems and call us as to how to manufacture it to please the alternate energy community and industry.

On the other hand there is the tendency to over-engineer and prevent secondary use. All motors will be replaced by things you can never use. It is called “second use mitigation” and is currently on NSA priority R&D agenda. They started it with CAR alternators, engine and electronics, in computers with the ATX power supply configuration to prevent its use as a NORMAL bench power supply. Trace what happened to Synchronous Motor history, why they were removed from the market? The EV GRAY motor was constructible from any normal EM motor-generator, but it was OVER-engineered to a non-replicable piece of junk. 3PH motors had raised price 50% since RV disclosure; they are using HIGHER impedance in newer motors and lower Q cores to suppress RV effect. My advice buy all surplus you can as 5 HP motor now is \$1300 USD

If a normal generator can be purchased with a 300% duty and 2KV high voltage certification, then there is no single reason why it can't work with RADIANT energy pulsing as a MOTOR! The RV alternator replaces the EV Gray Dynamotor alternator and any EM or PM alternator can be used as EV GRAY PULSEMOTOR. Hector

is linking the relation of RV to EV Gray work (Radiant Energy). The RV and Gray phenomena are the same thing. You built an RV; you can build EV GRAYS motor-generators also.

Converting Bedini to 3PH RV Mode: for RV Bedini mix, you require (sample) 3 coils in the stator per every 2 in the rotor, spaced at equal angle intervals (sample 120deg for 3 stator poles, for 6=60 deg for rotor, 2 poles 180 deg, 4 poles 90deg) then you can configure your coils either in delta or WYE. Pulse to emulate 3PH timing at A,B,C intervals, recover CEMP using simpler 3PH DIODE bridge ... 3X the power out. Your cores may heat up so watch for burn outs (use transformer laminate if they do overheat). This will prove RV and Bedini are working under the same phenomena.

A motor operating under Smith patent will use the stated plate current all the time. The difference is that RV uses nearly no power as long as is not loaded, and acts as a transformer with de-rated HP (standard mode). Any MOTOR with core losses of down to 1% can work better than any Bedini coil. Any 3 PH motor in Hi impedance with a PM rotor can exceed Bedini motor power a hundredfold. A 3PH 230/460VAC 12 lead 10HP motor with PM rotor can exceed Newman motor (7,500 pound) tenfold, and cost 1/20 \$\$ to build.

## Examples of RV replication

### Ronald

*Q: I am currently building a RV unit. I have 2 nearly identical motors, mechanically linked, both 3PH 5.5KW 2800 rpm. Motor unit is wired for 660 V, driven with 220 VAC.*

A: Prime-mover must be driven with 165V for proper 52.1 Ohms impedance (minimal)

*Q: Generator unit is wired for 380 V.*

A: Q here is too low to attain hi gain, wire for 220 if possible & raise capacitance. Higher Q more gain less energy required from prime-mover to attain radiant energy at a given frequency and mass.

*Q: Un-tuned, motor needs 600 watt for driving generator, while 4200 watt virtual power is generated in generator, single phase (not yet extracted, un-tuned).*

A: You attained near resonance in Alternator "amplitron alike" very near RADIANT energy. Get a magnet near motors and compare different hand vive feeling; energy passes as RF and radiates out of housing in alternator while in prime mover this effect is minimal. Also approach the magnet to the wire lines in prime-mover and alternator. E-Gray tube uses this energy, requires use of "homopolar transformer" rods or grids for E Gray. Next step is to VECTOR this energy into different LOADS & experiment with it until the tuning and energy transform are understood. Applications from solar co-generation, dynamometer, dynamotor are easy attained for lab work and household use.

*Q: How small is the window for correct cap values for creating an exact standing wave within 2x500W bulb?*

A: That is why I specified KNOWN AMPERE LOAD were the USE of EXACT amperage is required, else thermal overrun will blast the bulb to bits or melt filament. If LC is 8A 263 V, use 2000W light bulb for 230 VAC then adjust cap for drift.

*Q: I think, a big problem is the shift of filament resistance due to different lightning.*

A: Yes, but can't be exceeded given LC current if load is same or higher. This experiment demonstrates COLD electricity, as if done right filament will fall in current node of dipole resonance and voltage drop will be 24 to 19.8 VAC (easy operated underwater as Grey did). Do that with a normal 220 flashbulb and it will blast away with a big bang.

*Q: I saw z.e.u.s. lamps and the simple negative inductor. Why and how does the teleportation take place in line to the inductor? It reminds me on Joe-cell principle. Are you able to explain this?*

A: Aether flows in coil meridian toward centre "gravity flow". M field flows out from coil ENDS, this flow can carry phase dimensionally atoms from core into an energy loop, the higher the energy the more danger there is. There is an immediate metal taste in mouth when this happens as body WATER tends to trap dimensionally phase-shifted atoms. Gold, silver, titanium must be used in genesis type coils, or pure biologically compatible iron. In USDOE experiments they used titanium cores.

Back to RV, instant application is to run RV using frequency and pulse-length controlled inverter to synchronize asynchronous generators to lines in overspeed mode to supplement utility power. The advantage is if load is reduced RV demand in prime mover also reduces.

In solar energy this is a stumbling block under 5KW regions, but with RV mode run motors, Solar to asynchronous conversion can be attained under 1KW exceeding 75% eff. Using NORMAL state of art method

that is impossible (under 30% eff) as in LOW impedance motors waste 90% to 98% of its energy with no loading!! In HI impedance motors use 1/10 to 1/20 the rated max load HP rating for RV operation

Using PM RV motor that can be taken to PF correction figures well in OU transform regions. 461W per HP over the standard 746W figure, being the rotor M field relation to line input M field impedance x 1.618 x Q core factor x PF.

Squirrel cage is a loss factor; any properly designed PM RV connected to a house will provide KVARs to it lowering utility power usage. You can call that "free energy" with an EM (variable) electrically excited rotor you can regulate power correction and amplification figures.

You definitely have a very useful tool in your hands now. Just be careful with the "looping" as it will take you to other realms of science. Energy savings applications are much safer for life & health. If you loop perfect, Cayce predicted cosmic energy may be used first in Europe unstopped by American suppression & greed.

*Q: The magnetic field from bifilar coils is 0 in 3D-Space. What happens with atoms under this condition?*

A: Light is measured as speed. But what happens if measured as frequency standing wave Reverse were  $M = MC^2/(T/T)$ . Matter reverses in time state to Light.

*Q: And where is the connection between mind and the field, generated by RV?*

A: As the frequency is increased toward LIGHT speed, matter becomes degaussed to the square and PK energy is amplified to the SQUARE also. That is why persons with no CENTER of gravity cannot travel in time space or exceed C to 4D or 5D states. Personally I resist 5D transposition, a normal person simply banishes into NON-existence due to lack of gravity centre.

**Norman Wootan** (Mon, 25 Feb 2002 – on Keelynet-rotoverter)

I built Hectors phase rotoverter with the following results: Motor is 3HP, 3 Phase, 60HZ, 1725 RPM, wired for operation on 480V. Motor free running, tuned to minimum current draw from 120V line input required 20mfd 370V oil filled cap resulting with a current draw of .66 amps @ 120VAC input. Motor loaded with belt drive step-up 6:1 ratio to drive a PMI disk PM, DC motor acting as a generator. (generator unloaded) required 30 mfd, 370V oil filled cap with a resulting current draw of .50 amps @ 120VAC input.

Now I loaded the DC generator with 160-watt incandescent lamp load. Since I have two independent systems here, one being driven with 120VAC line input and the other system a belt driven DC generator being loaded with pure resistive load. Here are the numbers: Motor was retuned for minimum current draw which required 45 mfd, 370V oil filled cap with a resulting current draw of .15 amps @ 120VAC input. The independent generator put out .75 amps @ 74 VDC into a resistive load. The only thing that needs to be looked at on the input side of the equation is the power factor of the AC input.

I need to look at the current/ voltage phase relationship. I'm satisfied with the figures that I calculate which shows roughly 18 watts AC input with a DC output of 55.5 watts. What I find most interesting is the fact that the more load you put on the 3-phase motor the lower the input current draw and the motor gets colder. The belt driven DC generator gets quite hot after about 30 minutes of running time. Go figure it out. I believe there is a lot to be learned about revolving magnetic fields in 3 phase motors and tuning the output via capacitors. This experiment is so easy to do everyone should seriously look at this phenomenon. My next step is to document PF on input and improve the DC side of the circuit to provide more loading.

Go to this URL and carefully read how the RV really works: <http://home.earthlink.net/~ojmsmith/indexd.html>

Hector: You Forgot Otto does not use Hi impedance mode, Otto device loads standard currents on line (constant rated demand) load on no load to motor shaft. OU is lost as the free wheeling is lost to synchronous hysteresis Rotor cannot exceed synchronous speed unless compound winded to do so.

## 3.2 Transverter

### Overview of Operation

Standard AC transformers can be pulsed to OU transform states by taking them to resonance. The power within the LC ("radiant in nature") provides a source of imaginary potential within the shift of power factor non-linear reflected to the source. In pure LC the AMPERAGE reading is the important factor as in Radiant Energy this is measured in AMPERE LOAD, as in RESONANCE the "R" is antinode where the voltage value (in a perfect theoretical system) must be near 0 and amperage maximal.

Why is this system OU? Simple LC have a DECAF value in time, so the ONLY energy you need to supply is the one lost to DECAF as if system source where a negative inductor to LC (as is the case of RV alternator rotor; similar to a wet finger on a glass cup - cup decibel energy output exceeds finger input as glass molecules transform energy from their RESONANT STATE adding to input). Normal entropy decay is .618 of 1.618 as logarithmic time receding signal, so gain is also in atropic system of 1.618 where frequency increase in octaves may increase amplification by a factor of 3.141592 where the spiral resonant circular projection can be expressed in a 12,000 4d polygon structure (similar to double helix DNA structure – the reason the human system is OU by all definitions).

Remember logarithmic spirals orbital decay path is relative to gravity as signal decay or gain is relative to LC Q and parameters in a working ZPE system.

Surplus 3 PH transformers are good for these experiments, WYE-delta combinable 480/230/120VAC I/Os. Normal Universal transformers 480/360/240/120 I/O isolation 3KW 47-450-CPS are ok, but TUNING and a lot of work in vitro lab experience is needed to GET the idea WERE OU is and WHAT RADIANT ENERGY is all about. There is a lot that can be done with 3 phase transformers. A MAGNETOTRANSISTOR is just one of them. The transformer is superior to MEG as it does not need magnets to attain OU radiant energy states.

Try rotating it first, to enclose the field within the transformer core. Resonate the side coils, vectoring DC plug to the center coil, drive in 3PH rotation (A,B,C) to create "MEMA" magnet-less Electro Magnetic Amplifier. Splitting the transformer's center-tap, feeding POSITIVE across winding and SWITCHING the negative using a reverse DIODE in the transistor to capture and feed back counter EMP as the transistor switches off. See schematic in PDF; just find the right frequency and pulse-length to make the ferroplana sing a song! As in NEWMAN coil, BIG CORES have nice CEMF EMP.

The Side lodes: R/2 Ix2 where centre amperage B phase x 2 times. A,C phases current and A,B voltage is  $V = V/2$  as A,B phases are 90° from centre C phase instead of 120 deg required in 3 phase relation; so being in phase relation is  $(V1+V2+V3/3) \times 1.732 = VT$  in relation to V input (same applies to current-power relation). You need Q 12 to 15 to sustain rotation with near 0 field loss. Impedance is projected to infinity as fields open and goes widebanded with a projected M field out of the transformer (exteriorized field).

The solution is to co-phase A,B,C relation properly to create SELF impedance regulation within HI Q modes. Outside of the transformer this can become a POWER source as a SOLID EM AC EMF source if placed inside a coil ... short the coil, impedance decreases, and Q increases. Just we need to see the 4th dimensional picture in 3Phases of the whole construct in a given space .. phasors field projections interactions, all the works ! going inside and out within that transformer.... Contain the rotation, increase the "Q" Resonance gain eff. goes up. (this gives also more ideas on the postings related to Sweet VTA Magnetic latching and Resonance; revisit also the MEG).

Loading the sides of 3PH transformers A,C phase exteriorizes and projects FIELD outside transformer. If another LOOP is used it becomes a magneto-transistor. Experimentation is the key to obtain these effects. 3PH transformers can be used as Scalar WAVE EW EMP weapon. Work also harmonics. One frequency rotates in one direction the other counter rotates within; this is little known in power dynamics but is key to many OU states related to Magneto-atomic resonance.

Maintain rotation, else EM field will leak out forming exterior projected field. This leaking is useful in other applications: put a coil outside the transformer and it will generate quite a good AC signal, as test to verify condition, this Broadbands LC as IMPEDANCE increases so Q goes down.

The trick is to Obtain HI Q at a given frequency, such resonance occurs. In your transformer case "ferroresonance", as in any circuit you must look for losses that reflect in lower Q and limit accumulative incremental resonance. Every transformer is Unique, not 2 are equal, as also no 2 capacitors are equal.

Once attained a given Resonant Frequency, the Exiting Pulse can be shortened; at a given point where ringback OU effect is noticed, core magnetics porting energy to system, the requirements become minimal as per 1 Watt being able to maintain a HI Q kilowatt range resonance. The problem even a Clamp on Meter impedance detunes the LC, your BODY field changes the frequency as you get near it, MOON gravity Tidal force also detunes it. These aspects being very interesting to test in vitro as gravity influence is noticed under these conditions, Mass concentration becomes a Parameter in the operation of device.

For certain 3PH applications, 3 independent transformers are better as they are magnetically decoupled. The phase becomes more "malleable" to capacitor value influence. A triad Ultra looped system can be developed using SEIKE rotary transform theory (under resonance) self-inductive modes.

Bifilar inter-winding capacitance tends to correct power factor de-phasing from resonance, but the SCALAR TENSOR providing the STANDING wave is removed. Gray used AC homopolar principle to do such transform, as long Radiant state TENSOR is maintained such tensor will manifest OU with a corresponding thermal pump

effect. Quantifiable by Delta t transform (Thermopile effect), it's in reality simple but is LOST in the attempt to leave the Dual 0 states of resonance. POWER is not a "Unisex" force. The FORCES of the Universe are always manifested to fullest force when FEMALE & MALE forces interact "bipolar".

Good toy to play with is a 2x 75 KW 3PH used for MEMA experiments. We took it to resonance using a pulse driver driven with an AA 1.5 VDC volt battery where the 3W pulser developed a 10KW ringing within the core. Hector used Seike configuration Wye/Delta modes using pulses to maintain system rotary field ... 480/500VAC for Hi 208ACV delta low using 3x3 600VAC 22mF capacitor array. In a 75 KW 3PH hi efficiency iso transformer (FCC grade). The ringing varied in decay, frequency voltage increase from 1 cycle 1/10 sec pulse to 10KC 800V PP cut off end signal. A Ping with incremental voltage and frequency decay within a rotary LC triple-flux array. Even in a valance capacity-impedance array, the system tendency is to rotate clockwise under 1 phase pulsing A,B,C selected inputs. A 1.5VDC battery can power a 3W LC Driver, a Pulser can drive Joules into a big transformer; Exiting core to GIVE energy from thermal region (OU).

Hidden somewhere Hector has the NASA rotary resonant transformer formulations, and they are nifty OU. All RF resonant coils are OU ... Stochastic resonance is the FIRST demonstration of OU.

If you listen to a Ferro-resonant transformer the core rings to the AC frequency at RESONANCE as electrical manifest into the mechanical ring frequency of the element being used as a core. This relation is considered UNWANTED noise, but for OU production like in VTA type latching you must put the Metglass to scream in agony on electron spin erotic delirium in order to attain certain energetic transfers from magneto atomic thermal regions to the electrical circuit ones (OU). If inverters TR cores were made to scream, they go OU but transistors & Fets usually fry as they are not designed for it (nor the circuits they are on).

You may need frequency and pulselenght adjustments in normal DC to DC H network inverters. The upconversion to Hi voltage is adjusted as to EXCITE the ferroplana to OU states charging the capacitors under sinusoidal logarithmic standing wave. The H network fires the capacitor charge as also frequency and pulselenght adjust.

It goes "TUNG". That "Tung" is not 50 or 60CPS, but 10 harmonics up 0.5-0.6KCPS. As 50 or 60CPS feed the transformer, the power line frequency echoes of the fundamental & harmonics interact forming WAVITONS within the core by core natural "cycloconversion" effect. Use an Equalizer Chart and see the so-called resonant PULSES are NOT in the fundamental frequency but in a multi octave broadbanded in hypermodulated Waves across equalizer frequency range.

As the transformer is in Extreme LOW Q and its fundamental RESONANCE is WAY up from the power line one. This is what must be compressed into a rotating Hi Q phased COHERENT signal to attain EASER modes in the core. If you compare such a chart to one from a PUMPED laser rod you will see the simile, they ENHANCE this effect to Amplify light. Why not enhance it to amplify electric current, and let it acquire energy from ambient by stochastic amplification.

We have talked within the lines on this subject related to Easer modes: "seek the acoustic signature within LC resonance". "Ringing" as RV works is this state, it hums like a turbine (gravity and magnetism are not far apart). If a pulse of strong a magnitude is created countering a RELAXING iron mass, it can create an instant black hole (mass implosion) (used in X ray NSA-DOE lasers). That is what is called creating Wavitons within the core, like a LASER these electro-acoustic signals can be taken to atomic fusion intensity; solid titanium as a resonator can help to deepen more into this phenomena (but is government restricted and expensive). So laminates and speaker metal end plates have to do it.

The fight has always been that if people want OU they must seek Hi perfection in the energy transformation mechanics. Resonant circuits are just tools to acquire states of Hi eff energy transformation. OU becomes a by-product of such effort. Every time you experiment with resonance and Q aspects you can seek for the Sweet point, that Special condition where the combination of Reactive and capacitive components create the best Q, lowest loss condition.

MASS core materials make nice differences. Some commercial hi eff utility transformers go off the roof energetically speaking when resonated. Single-phase utility transformers have some magic in them also. Some give very HI Q transform as taken to Hi voltage resonance. I recommend resonating whatever you can find, some transformers will really suck, but others will sing to the tune of pure OU resonance.

Relation: Core mass, coil turns, capacitance. Look for its Natural best resonating point, which is usually where the best Q is. Try harmonics; usually some transformers can resonate in harmonics this being ten fold in intensity to basic exiting frequency. In standard practice this is seen as loss, but if done intentional can be a source of energy multiplication.



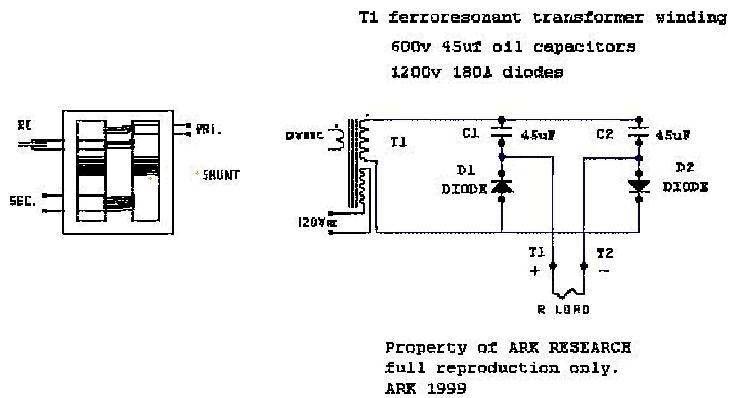
The importance in OU design is CORE mass (its natural resonance), wire size and turn ratio as capacitor tensor relation across a diode as it charges it "logarithmic semy resonant curve". This is where HI gain & efficiency are leading to OU states.

### Example

Take a DEC 10 power supply Ferro-resonant transformer (DEC 16-1491 rev D); use 1200v 22.5 uF capacitor in the resonant coil. AC primary input of 444.6W (117V 3.8A) with 3151.5W (573V 5.5A) circulating power in resonant coil. If diode plug is used as in plan with x2 capacity, each capacitor will become a half resonant Tank circuit becoming in a sense a VECTOR accumulator one negative and one positive "half" in "resonant" mode. If discharged in sequential pulse mode the power is awesome compared to the input. The ratio in this transformer circulating power was over 7:1. All this time we were forced to assume this was a POWER FACTOR phenomena and that this power was not EXTRACTABLE in any way. Well not any more with proper tuning and pulsing circuits or simple "Spartan" resonant direct connections it can be used.

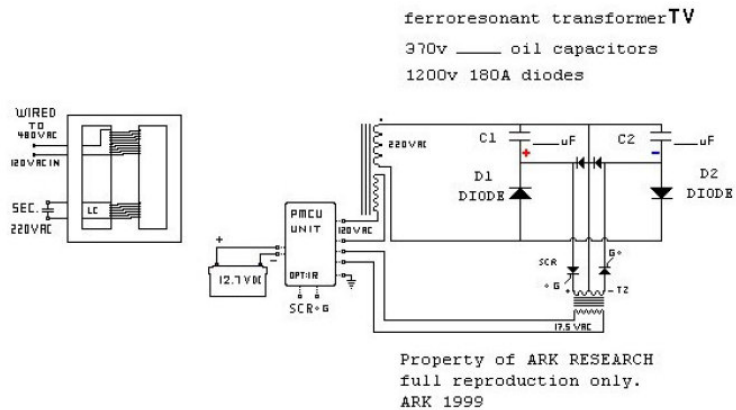
I hope you can find FR transformers or get a standard one 120/240/480V primary 120/240/480V sec. Turn the secondary into a resonant tank; the transformer will hum and if tuned right, will "drift" with input frequency "TUNE". No shunt needed since no core secondary current "regulation" is going to be used.

After this first step try diode plug use x2 capacity. Note the circuit will not hum it will do a "punk" and input current will be a NO LOAD VALUE. But be very careful: x2 voltages and x2 currents will be present at plug +/- terminals. Pulse-extract the power into resistor bank until the system goes resonant (hum), max "Q" if possible.



In a PM rotor the magnet translates as inductive VA-energy going into a capacitor (transform to VAR); the relation of L and C being RESONANT radiant ONE in half LC diode vectored tank the OPTO isolation circuit and BLANK energy firing non-reflective to source Stage is SECRET to EXTRACT ZPE energy.

So the transverter circuit recovery approach is a 2-gunned device where there is no excuse for whatever energy resides within it or the core used to be converted into DC +/- vectors (poles). "Radiant" energy contributes to charge capacitor within Resonant circuit. Unit can be called in a sense a theoretical "Vovine feces" eliminator. If there is any (OU) this basic circuit will extract it from a coil at proper tuning parameters (RF tuning practices are the standard).



Try to replicate the FR RC effect and use the diode plug system; this simple device make many obsolete by all terms. This is simpler and cheaper than the rotoverter 3PH systems.

Suppose we take a trafo 480V to 220V and feed it with 120VAC and resonate the secondary (pure LC, not diode plug). You need to raise Q, loss decreases to a point it self sustains like VTA configuration, as "reactor core" it self amplifies. In order to get the losses become negative to reach "self sustain", the Stochastic resonance comes to play, transfer of H Heat to Electrical current. As Einstein-bose condensate is created: certain resonance conditions create hyper-conductivity, cooling at magneto-atomic resonance level where natural superconductivity exist, like GENESIS device (UFO engine) it freezes to absolute 0 as it works to max potential. This at extremes as condition can be exothermic were the Burn out occurs (usually were BROADBANDING and signal annihilation occurs) as the Ferro-resonance papers stated. (To make the Genesis device working, the core

material Natural resonance must be determined as to determine C and L values. An ACUSTIC physical NOISE like the TRANSFORMER Ferro-resonance is heard when such state is attained.)

LC needs to be Optimized (No loss) no welds, no shorts, no sinks (Like RV alternator taken to highest Level, but with difference it stays on and does not shut down). Resonance can make an ELEMENT a SUPER conductor (why you think they call it COLD electricity?)

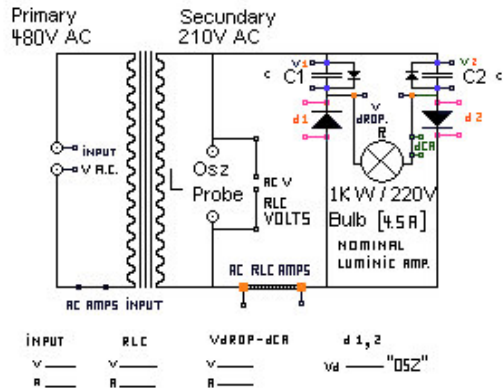
(Note that Metglass magic is in kilohertz -megahertz range)

About resonant Electrolysis, the Sonofusion water frequency is 23 to 24.5 KHz and its harmonics up to WATER boiling 2.45GHZ (microwave oven magnetron) and down to 2.45 Hz where the gas action separation is increased ten fold

You can experiment with the transverter as vectored resonant electrolyser. In the first picture above, the R load is the electrolytic cells. The coils cores and capacitor need to be tailored to a specific frequency, where they match the best gas production of the electrodes or plates in the gas chamber (requires lab work).

Ferroresonat Transformer Test #1. Diode Plug. RLC

AKKT.V.  
 $C2/C2 = 370V \text{ } \underline{\hspace{1cm}} \text{ mF}$   
 $D1/D2 = 1KV \text{ } \underline{.80A}$



## Ferro-resonance

Ferro resonance is a complex electrical phenomenon, which is characterized by the sudden onset of very high sustained overvoltages concurrent with high levels of harmonic distortion. The system can take a sudden non-linear jump from its normal steady state response to a steady state condition of severe harmonic distortion. Ferro-resonance is distinguished from linear resonance (which is predictable) in that there exist several stable steady state responses to any given change of parameters, the response is very dependent on the initial condition, the resonance at a given frequency can occur over a wide range of parameter values, and the resonant frequency can be different for each stable response. It accrues in iron cores when a frequency of a coil hits a sub-harmonic of the iron's natural resonance frequency. This resonance frequency is dependent on the structure of the molecular lattice of the material. Because of this, the resonant frequency varies with different metals.

There are two additional properties of ferromagnetic materials that are important in understanding the phenomenon: ferromagnetic materials can saturate and they exhibit hysteresis. For saturation, as the current in a ferromagnetic coil increases beyond the saturation point, the inductance of the coil changes suddenly. As for hysteresis, the magnitude of the current that causes the iron to go into saturation is not the same as the one at which the iron come out of it. The boundary between linear operation and saturated operation is not a fixed value of current, but is dependent on the previous values of that current. The hysteresis is due to the residual flux density stored in the iron, which must be overcome when the current changes direction.

As such the inductance is not fixed. It changes due to saturation, and this changes the inductive reactance, so that the resonant frequency is a moving target. This change in inductance can sometimes tune a system into resonance. As the iron goes into saturation, the sudden change in inductance brings about a sudden change the frequency at which resonance will occur. Sudden and unpredictable changes in inductance will mean that a wide range of capacitances can potentially lead to resonance at a given frequency. Once the ferromagnetic inductance "pops" into saturation, it remains saturated until the current magnitude decreases. If the inductance when saturated causes a resonance (i.e. results in an inductive reactance that matches the capacitive reactance in the circuit), the current magnitude can increase dramatically, further driving the iron into saturation, and thus making the resonant point stable. See also a paper on ferroresonance on [www.cadickcorp.com](http://www.cadickcorp.com).

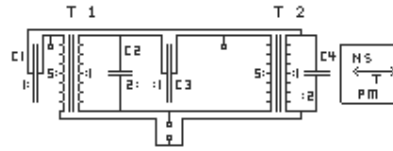
When an iron core is in super-saturated (magnetically) state and suddenly relaxed, there is a very unusual amount of energy that comes out of the grounded iron core material, which is the "radiant energy" that many have been trying to generate.

See the following link: <http://www.rexresearch.com/mra/1mra.htm>. You take any low-loss transformer to ultra high Q. Upon ferro-resonance it acquires self cooling; oscillations and superconductivity being LOSSLESS and OU. We try to enhance what the (destructive) power utilities try to avoid.

### 3.3 Reactor Core

Take the following:

- 2x 120v/24v transformers
- C2/C4 twice as big as C1/C3
- Top square between C3/T2 is a test point
- Bottom squares under C3 is the output
- Permanent magnet in the big square box



T1 T2 must be co-phased as to 24V coil be reverse inductor of the other, T1 excites T2, T2 excites T1. Jin-Yang circuit at resonance, one excites the other to OU saturation. As for the values I let to the user as the BASIC diagram explains all. Ferroplana is best material Hi frequency gives the optimal gain.

Magnet is fixed at a distance to provide "Latching fuel" to any of the 2 transformers. This distance is determined by unit power level as magnet distance "TUNES" the circuit. Magnetic field feeds energy to the system, distance TUNES & Matches Magnetic field resonance to Unit resonance by proximity.

It can be made in solid state LCs (tuned transformers). You start with 3 cycles per second resonance in LC, split it to 1.5 Cycles using the 1.618 factor where you have a mass core delay of .181 CPS, so end product is 1.5CPS. This is MIXED to drive another core at  $3 + 1.5 = 4.5\text{CPS}$ , where divided by 2 becomes 2.5 CPS at x 2 times interval, that is for every 6 cycles you inject back a LEADING 4.5 half cycle to rotary LC engine.

The system will self-loop with a feedback requirement of .002 the total power within the circuit. If done within 1 of the 81 universal octaves you have infinite energy to draw from universal waviton component (sinewave integral) – see cyclo-conversion.

When you touch a wire, you get frozen fingers, especially at 1.6 MHz operating frequency ... and yes this is same Original Hendershot principle, all you need is to get proper ratios, zap it, and it starts to generate self oscillation. Hendershot hid secret in a bunch of unnecessary crap, like the disclosure on the Buzzer and magnet was crap and dis-info. Hector decided to post it as the basics to generate RE are OUT.

In another variation, capacitors are eliminated from low L side but you need to calculate the LOOPBACK Q gain multiplication factor. Think of this as a self-fed looped stochastic gain dielectric element AMPLITRON.

This will switch the brains of many to "ON" states, just pass it on, you can use CAR Audio Amplifier toroids to do this. Finding the music that makes them sing. The magnet feeds power to the system as looped dual Class C linear amplifier.

As before Energy transfer comes from  $H=I^2Rt$  within system cores. System cools down, can also overrun and BURN out in a GREEN flash as ferroplana goes critical, atomically speaking (disintegrate) into hyperspace 4D. Usually unit levitates before this so DONT try to grab it as you can disintegrate with it, or loose body parts. In Hectors case, he shifts from dimension to dimension, glad they are parallel. So be careful what you do with this toy.

Unit creates extremely hi vitron Static charge great care recommended at looping (Use Fuses in LC loops). Vitrons result from electron decay to D4 states. Remember as C is attained mass becomes relativistic infinite, so electron seems like a LIGHT wave from a to b tensor in space, but as is static its state is as Vitron (Liquid light) The link to Ectoplasmic manifest.. of spirit world.. (Good place to keep your Stuff after you create it).

2 magnets counter-valancing polarities yes, but first is to get device to work, building resonant stuff helps a lot. RV is BASIC principle as POWER is AMPLIFIED VIRTUALLY. Same is done in the CORES were one induces in the OTHER. This is ELECTROMAGNUM, the power of the Gods, the secret of Atlantis. One coil can PUMP the other in rotating machinery. THINK "RESONANCE" & "OU" as KVARs fed into REACTOR by the MAGNETS .OPS! Rotation self sustains ... RV is an essential step to understand "Reactor Core" dynamics. The Generation of VIRTUAL ENERGY STATES is the KEY to the LOOPED REACTOR CORE, as is LC tendency to self regulate at saturation. Tuning is critical ... as in RV.. or TV PLUG.

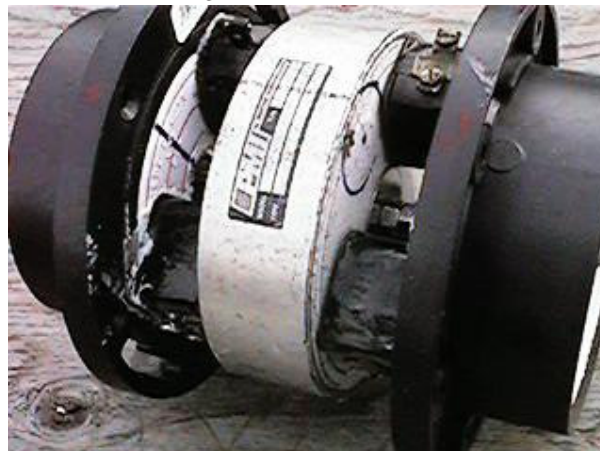
### 3.4 Kone pulse motor

Doug Konzen has built several axial pulse motors with various numbers of stator coils, and magnets in the rotors. The picture to the right is a simple "axial RV" with 2 n-s magnets in rotor, and 3 stator coils on each side (© Doug Konzen).

PM motors pulsed 3 Phase are OU at specific frequencies and rotation speeds.

In AXIAL motors there is always a 90° approach to the pole, call it "sidewinder approach" (like the snake), its just perspective relative as how you see the 3d construct and the way M field interacts, but the same LAWS apply to all types of rotary machines. It's just some are more efficient using force vectors and fields than others.

One good advice when dealing with pulse motors: forget all kinds of screws and bolts. You will see the difference in recovered back-EMF when you will use proper laminated core. So go to auto-junkyard and get some old ignition coils. From these you can get good impulse-cores and even some fat windings and HV windings too.



When tests were done with an old Bedini-motor and bifilar coil, with 8mm bolt as a core, the back-emf had to be collected both from the drive coil and from the pickup coil and add them up to get the same charge in the same cap during the same time interval. But when using proper laminated core, one could tap the back-emf from only the recovery winding or from the drive winding and even better power level was reached in the storage cap during the same time interval. So the laminated core helps a lot. Also in plain bolt or screw there will be induced eddy currents by the collapsing magnetic field and you will lose energy anyway (eddy current loss).

Doug (aka Kone) build a big motor-gen, called the 363 since it has 3 coils on each side of a rotor of 6 coil positions (alternating N-S). There are actually 12 magnets total, with the 6 on each side separated by black plastic plate in between; this way the magnets hold themselves together strongly and wont pull out from the rotor since they would have to rip apart the black plate between them to get them out. He is firing repulsive-only 3 coils of the 6, 2 on one side, and just one on the other, and then firing the remaining 3 coils, (also two on one side, one on the other), rather than firing just two facing coils (normal) or all three at once on one side. "Splitting up" the coils being fired like this gives more power it seems to me testing it out right now...

It is found that most power from a single pulse comes form the stator coil being IN BETWEEN the N-S magnets, so that the coil reacts to BOTH magnets, both pushing and pulling the rotor in the same direction, since they are N and S...(let the magnets do the work Bill Muller would say). It is advised to try to resonate at HI Q your coils at 27, 30, 33 cycles per second in triangle 3 X 3 one half pulse feeds each one other half pulse feeds other 3 (see section on cyclo-conversion).

Kone also wired up a motor in attractive mode instead of repulsive mode, which had the best results with the FWBR AC legs across the "switch only". Now testing in attractive mode (more shaft power this way too it seems), the FWBR AC legs worked the very best with them across BOTH the motor coils and switch for some reason, so knowing this, he came up with this new "split" recovery scheme, the purpose is to add extra power via an extra power stroke that is supplied with its juice through the recovery circuit of the backemf/recoil, with minimal or no extra draw happening when the extra coils fire and make for more "free" (recycled at least) speed and power.

Kone's idea is simple but great: at HI impedance the coil is attractor to MAJOR force, minor force takes energy from MAYOR one (MAGNET) as VOLTAGE is greater in coil, amperage reverses to battery charging it. Proportion tuning it is the secret (1.618 ratio), energy is obtained from the Magnetic field, the field captures what it needs from K ambient electron & thermal heat, Rotor nnn magnets becomes a 400 year long tripleflux monopolar energizer battery. Electric Wankel engine in mechanical terms (runs and runs and runs!).

Another thing is that the "vectoring" (diodes/fwbr) should/could be done at the SWITCHING (especially if this is what blows up like NW was saying)

Put the AC legs of your FWBR across the switch - the DC side into capacitor, and switch during OFF-time of primary this capacitor with DPDT switch into resistance to control it (your pre determined load)- 2nd switch at AC leg flips ON about halfway or 3/4 through primary pulse (now won't lug extra current draw) and then stays ON while primary turns off (catching recoil power which blows everything up usually) this 2nd switch then stays ON for a bit more, now catching the back emf...then turns off - cycle starts again with primary pulses only ON at first, then 3<sup>rd</sup> AC leg switch ON, then only 2nd switch ON etc...

Here is the scheme explained of a 2 vs 3 motor (see picture to the right). Motorcoils A and B are in parallel, and the 3 rotor magnets slide between these two...on the opposite side of the motor are two more facing-coils, C and D, (look at picture) which also the 3 rotor magnets slide through too...so the experiment now is that these two coils (C and D) are getting fed with the backemf/recoil collected from coils A and B when A and B together fire in parallel for the "main" (primary) motor-pulse...



So here is the best recovery scheme he could come up with to add extra power stroke with back emf/recoil collected with FWBRs on this particular 2vs3 axial (4 coil) motor:

- Motorcoils A and B are in parallel and switched on-off to run motor.
- AClegs over SwitchFWBR#1 DC out goes into Cap#1
- AClegs over MotorcoilFWBR#2 DC out goes into Cap#2
- Cap#1 fires single coil C via switch for motor effect at proper timing
- Cap#2 fires single coil D via same switch at same time for more motor effect...

The advantage of this split-idea is that the impedance of a single coil is 1/2 less than two of those same "primary" motorcoils in parallel, and so the backemf-recoil energy collected and then discharged from the cap gets to travel through a coil of 1/2 resistance as the two main motor coils in parallel have...so the motor doesn't bog down with extra amps at all or just slightly when the "secondary" coils (C and D) fire and give extra speed and power..next step is to loop the backemf/recoil from C and D coils back to the original A and B coils and pull the plug and see if it will selfrun...

Definitely it will work well Synchronized, will do also as a rectifier, like the old type Synchronous X ray machine rectifiers an "H" cross switch HV non contact commutator switching the alternations into ++ -- poles. (Good for diode substitute in case of Nuclear EMP attack; those having the Know how will have a chance to survive the IC and transistor & diode fry out. Have a good stock of transformers & tubes. RV alternator can stand to nuclear EMP and survive it (not so 99% of standard generators which will burn and fry). As things go, point of no return is getting near, just try to prepare..).

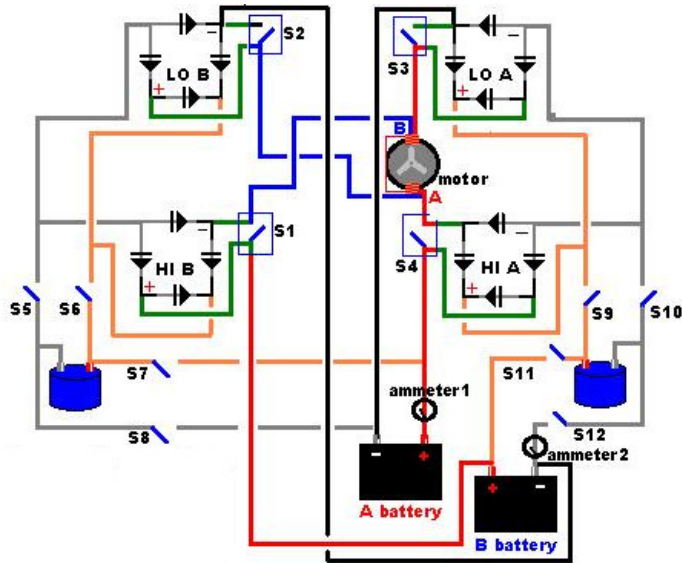
For the axial RV in AC, the magnets ride a rotating wave like the OVAL (alike vector phasors of a Wankel engine), the magnets being pushed pulled along the wave. If a resonant condition is attained where the magnet can correct VOLTAGE loss as a POWER FACTOR figure, the device will run itself with pure magnetic wave modulation as a ROTARY MEG. A smaller series coil can offset feed the other forward coil in an endless loop (see reactor core for reference). Check MEG design; not like MEG forward reverse side to side swing, but like a wave circling inside a circle. A true rotary self amplification 3x3 rotary magnetic amplifier RMAMEG where the ROTARY wave self amplifies with the rotating magnet effect within the cores. Call it "Magnetic power factor correction".

The system will try to detune as rotor recedes in negative time, but the next coil will acquire the field in attraction mode, where the FIELD from the magnet regausses it porting energy to core & coils.

Theoretically the system will generate negative "G" as it acquires energy from time curve. Relative to us time will slow down inside the field as it acquires energy. To do this great insight and knowledge is required. Glad the Gravity-time corroboration came out in scientific circles, as now it can explain better where the energy comes from in such looped systems and how the anomaly is created. As soon as a relation to gravitic spiral flux toward equator will be related to POLAR (Magnetic) FLUX & the Jets flowing from BLACK HOLE poles AETHER, existence can no longer be denied and its role in universal energy transform, ALL MATTER is transformed to AETHER flux that is EJECTED at POLE ENDS toward LOCAL ovoid thorus in space time galactic string.

Here is another circuit diagram of a pulsemotor. It describes how the switching sends in current one way through the motor and in the other way (info between brackets).

Simultaneous timed switches S1-S2 (S3-S4) send current into motor through side B (A).  
 FWBR with AC legs across both switches S1-S2 (S3-S4) collects BEMF and fills cap through simultaneous switches S5-S6 (S9-S10).  
 Simultaneous switches S7-S8 (S11-S12) discharge cap into battery A (B) to charge.  
 Switches S5-S6 (S9-S10) fill the cap between the motor pulses.  
 Switches S7-S8 (S11-S12) discharge the cap between switches S5-S6 (S9-S10) and also between the motor pulses.



This circuit works the same as the TRANSVERTER circuit. As the capacitor is charged in the NO LOAD condition it can RESPOND TO THE BEST resonant Q curve (in plain English: a specific FARAD value will give you maximal POWER from the coil discharge). As the switches maintain this capacitor independent from the battery, LOADING DOES NOT DETUNE the recovery circuit (transverter design). You go a step further using an INDEPENDENT battery as to get a blank spacing to permit the CAPACITOR to be discharged in an UNLOADED battery using otherwise loss return as an advantage.

To simplify it, use 2 transistors positively biased to fire into each other battery on the blanking space, or to charge capacitors and fire it on opposed + LOAD as assistive current boost. If you keep the meters above 0 + you have OU and your battery will never run out (quite the same as Gray did but at a MUCH lower voltage).

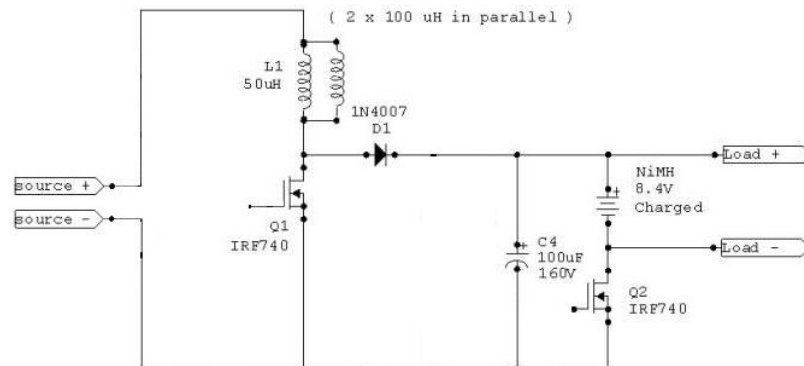
Definitely you need a 3 phase 230/460V motor with a Nb permanent magnet rotor N-S "2 poles" for a 3600 RPM motor (1800RPM motor requires 4 pole rotor - more expensive and complex). The recovery can be done with dual triplefluxed 6 bridged recovery plug system. A synchronous motor can be used for your preliminary experiments (PM ROTOR), as is it simpler to built a rotor for a 3PH motor than to built current pulse motor design from scratch (over 3HP).

You can use a disk to fire optical switches to control 6 independent SSR relays and use up to 127VDC dual bank batteries.

### 3.5 JM Pulse Charger

This is the undressed original JM battery charger circuit and it is Solid state similar to magneto-resonance amplification, in fact same as HALF diode plug, but positive coil biased switched to ground we encounter a self fed gun diode mix with a varactor tuned effect; L turns from a resistive source to C to a grounded reactive accumulator being discharged into C being in series with the source as the time controlled pulse-length grounding to attain SATURATION is cut off (confusing, but trace naked schematic).

Field collapse is series fed from source in semi resonant state to C at a longer wavelength rate until OVERCHARGE equilibrium is attained (coil discharge peak power is passed to C, C then is discharged in blanking interval to Battery also switched at the negative being the energy in this capacitor Joule average + to input. Compare with DEC patents pulsed reactor voltage inverters (OU) at a given C



value where L discharges logarithmically to C in pure resonant mode, if C is partially charged and relative pulse is floating in series, the source as well as the load receive energy from L at a given point altering the circuit relative polarity.

Diode plug is same principle, but C can be totally depleted and disconnected from L as C value drops to 0V making possible transfer of L power to a given R load. See ZPE PDF docs.

The answer as how to attain looping is the reactor core Reactor (Core .gif) in ARK file section; configuration with the MAGNET to feed the KVARs needed to sustain the REACTION you already share in different HARDWARE modes but IDENTICAL theoretical construct.

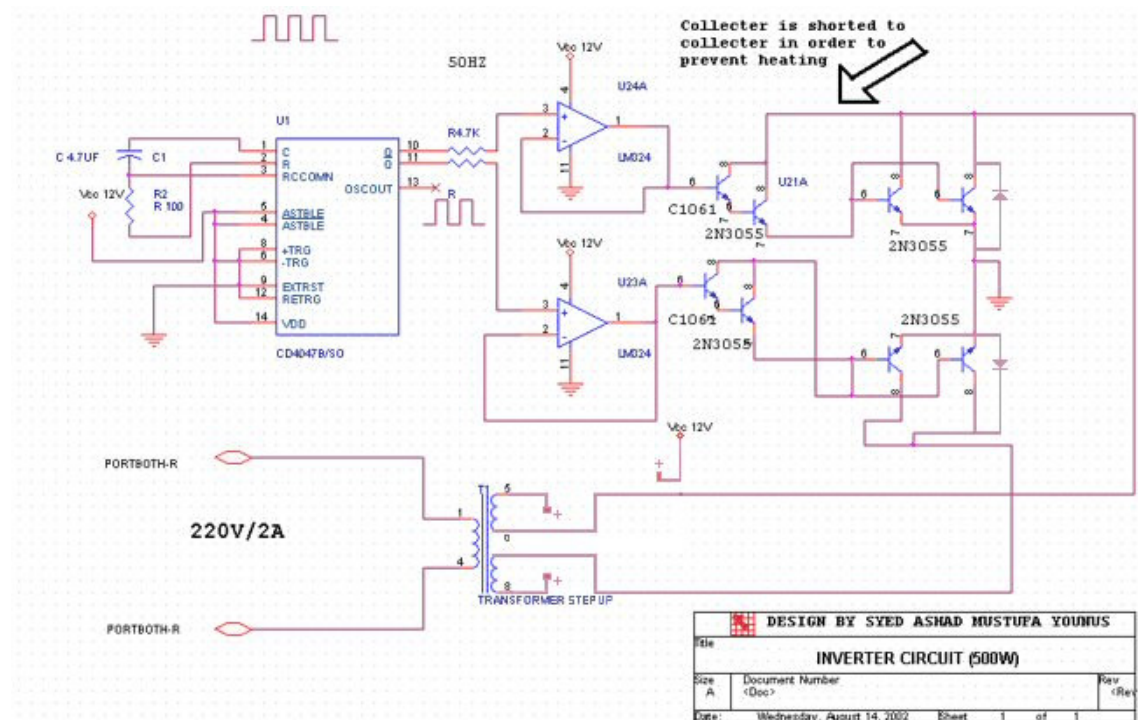
The problem is not demonstrating OU; it's the applications, Magneto Resonant Amplification. I don't think there is a problem on integrating core dynamics to charger & magnetically "Power factor corrected"\* solid-state OU system cores. (\* = VIP Hint ... see naked charger diagram).

The JMPulseCharge is Copyright © from Jean-Michel Cour, France.

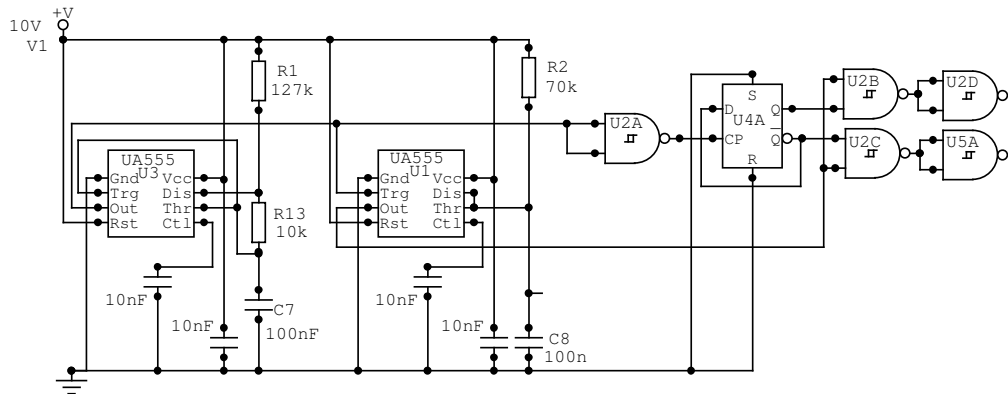
### 3.6 Positive-bias inverter

Using this circuit you can convert 12V DC into 220V AC. By modifying the transformer ratio, you could have 24VDC input and/or 110VAC output, depending on the requirements of your region.

This circuit is specifically modified to have a "+ biasing" conversion, as the spikes & CEMF go back to the battery for transformer operated inverters. Hector got +.02 amps go back to battery from transformer "idling". Ignoring the driver board power requirements, this is WAY OU at resonant modes.

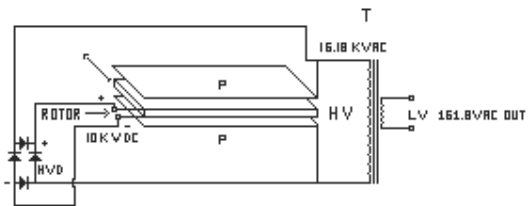


This circuit is generating a square wave of 50Hz through the 4047 IC, where the transistors are amplifying the current. The transistors can be replaced by FETs to have lower power dissipation and faster switching. The driver circuit can be changed to have a modified sine-wave, as square wave is not good for many electric appliances. The below driver circuit example creates a modified sine waveform. The frequency and pulse width can be modified with R1 and R2.



### 3.7 Relation to Testatica, VTA, crystals, ...

The Testatica is a type of Moray generator. As other inventions use mountain crystals to generate power to light bulb, the testatica will reveal pieces crystalline of material surrounded by metal mesh. Combining this information with accounts of Moray's early experiments with artificial Quartz compounds yields to this. The only electricity needed from the disks is that amount to stimulate the electron cascade effect in the crystalline material.



Betatron EASER mode is done by PUMPING crystal capacitively. You may do this using ultrasonic transducer crystals in place of electret (have this nasty habit of detonating themselves on resonance)

Testatika has a single disk with alternating charged plates. As disc with opposed polarity butterflies 2 are OK (4 pole) for testing concept, then go multiple, 60 (120 pole)

The basic design does not really need this crystals Testatica wheel at 50 Hz if it has 100 elements in wheel, it will spin at 50 RPM and generate 50Hz (calculate rotation in testatica movie, each plate syncs with 50Hz strobe) at step down secondary. That means an RV can drive such a wheel at 12 to 40W power with a step-down speed and POWER gain of 2760W (3.69 HP).

It is no other thing than a ROTARY reactance L, the inverse of ROTARY condenser C. In one the energy is in M field in the other is a fixed charge. Like in a transistor we use a small quantity of energy to CONTROL a large ONE, battery = Charged Capacitor = PM NS poles. Those are the 3 basic forces of Elektron Dynamics.

Proportional downconversion, the charge of Electrons must be down converted from linear EV potential to AC HV to AC LV. TESTATIKA uses 2 such transformers. I redesigned to 1 and AC generating DC charged rotor .. this is TRUE ZPE ..... "Charge differential Vacuum"

The power comes from the charge cohesion of multiple capacitor disc acrylic tendency to hold a charge. It takes advantage of dielectric electron tunneling (one of many parameters).

The Methernitha community in Switzerland currently has five or six working models of fuel-less, self-running devices that tap this energy.

2<sup>nd</sup> explanation as CIG (Capacitive Interrupt Generator):

The Testatica consist of a plastic or dielectric disc were alternate charged capacitors (plates) are integrated as to rotate inside 2 isolated plates leading to a HI voltage transformer were 2 wires take the ac charge and rectify it to make system self Exited ...

A comon HI voltage transformer may be used, as an Acrylic plastic rotor made of NON-Anty static plastic (the ones you peel the protective paper coating and hits you with electric sparks). Aluminum Tape or FOIL can be used to make the capacitor rotor plates that are alternated as if it were the magnetic poles of a generator.

This Rotor is charged to 10 KVDC at it rotates near transformer RESONANT frequency transformer will generate 16.18KV minimal part of that is rectified to feed rotor charge (161.8 AC VOLTS output if built with standard 120VAC-10KV Transformer). OU comes from ROTOR tendency to RETAIN a charge and lower CEMF. LOW volt AC is your output power is determined by your design.



The magnets, wires and all that fancy stuff were EGO generated by the inventor to keep the thing secret and complicated. Now it is simple. See file section for A1 Testatica.gif.

If the Testatica is not a CIG, then you can name it an original design from ARK RESEARCH Capacitive Interrupt Generator.

The Testatica can also run from 47-450cps and from 90 to 400VAC using computer drive & software for driving disk motor (RV). The CIG can be driven from an RV and its output transformed & rectified to 12.7VDC to drive RV inverter into a loop....

Testatika = wimhurst + OU transformation + toys & whistles

## 4 Summary

Hector has stated that RV principle is universal to all devices, and that the secret of OU lays in Magnetic amplification and the so-called power factor correction phenomena as a key element. For basic building everything basic is told, it's up to the experimenter to tune and play the instrument. A list to remember:

**Rotoconversion RV effect:** Way to operate a motor at hi impedances with a lower reflective power loss at idle mode, working similar to a POWER transformer but on Electrical to mechanical conversion, resulting in hi eff performance and under some conditions (OU) due to reso-magnetic amplification and other quantifiable phenomena related to ENERGY transformation from the ambient.

**Radiant Energy:** = (AC in RF mode)

**OU (Overunity):** Condition where a system gains energy from other source than the input and adds it to the output to exceed input power be it Magnetic, thermal, Aetheric, radiant, Stochastic, magneto-atomic, vitronic, orgonic, odic, PK in any dimension or geometric plane.

**PO/PI = EFF% (COP)**

**OU = PO>PI**

### Other references and links:

- See consolidated knowledge file (ZPEV2.pdf) in EVGRAY group file section. Important!
- For more information on AC, RLC circuits, resonance, Power Factor, Q, signal decay... please refer to the following websites:  
<http://www.ibiblio.org/obp/electricCircuits/AC/index.html>  
<http://hyperphysics.phy-astr.gsu.edu/hbase/electric/serres.html>  
<http://hyperphysics.phy-astr.gsu.edu/hbase/waves/standw.html>  
<http://home.freeuk.net/duncx/wireless/sparktx/sparktx.html>  
<http://www.pscpower.com/pages/series%20sc.htm> (Synchronous condenser)  
<http://www.mullerpower.com/index2.php>