

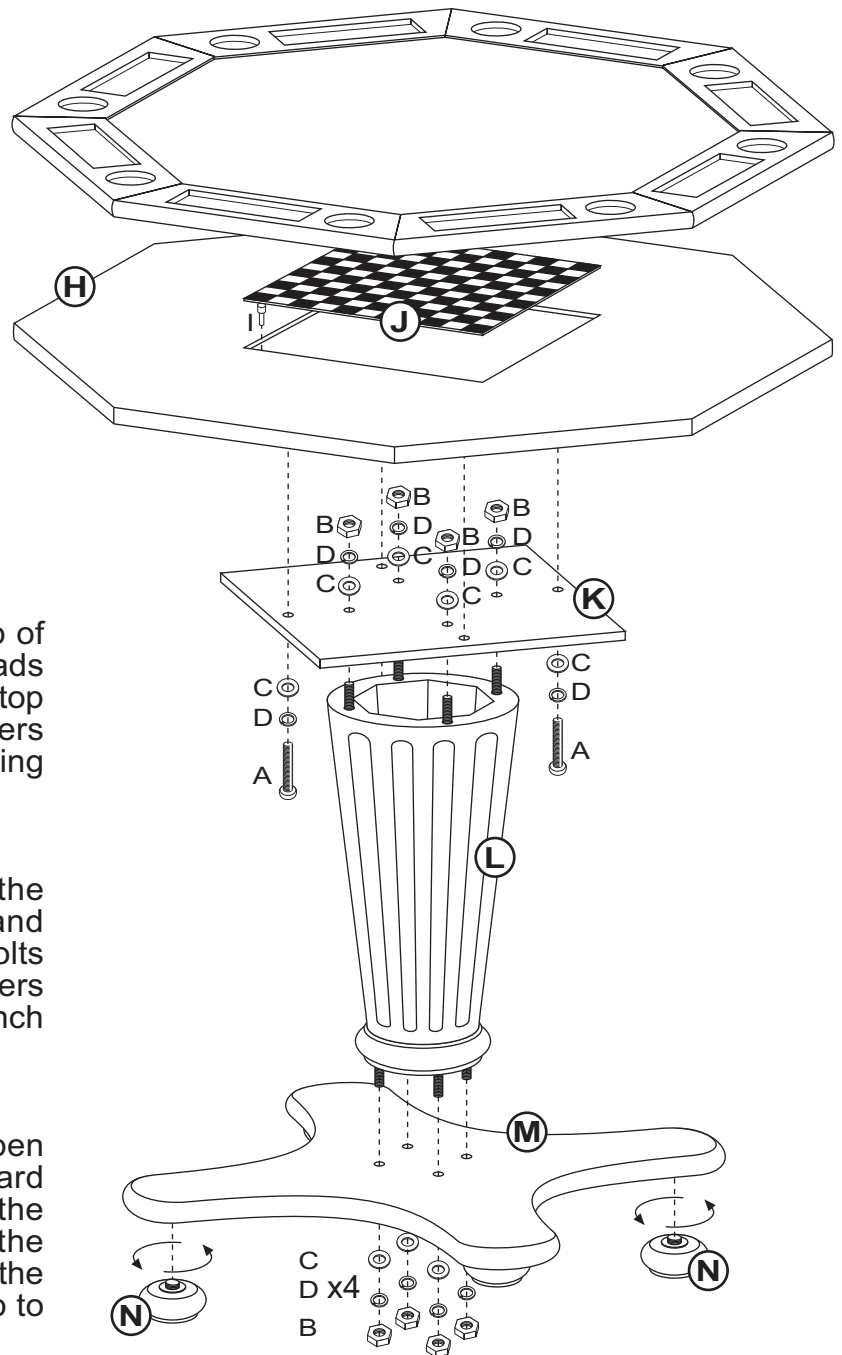
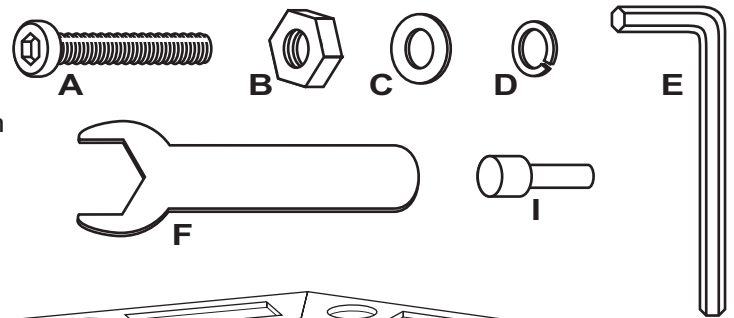
Examine all packaging material for small parts that may have come loose during shipment. Periodic checks are recommended to insure that all components are in proper position, tight and free from damage. Keep this assembly instruction for future reference. Adult assembly is required. Customer Service Phone Number: 502-562-0000

**HARDWARE LIST**

- A (4) Allen Bolts - 5/16" x 1-1/2"
- B (8) Hex Nuts - 5/16"
- C (12) Flat Washers - 5/16"
- D (12) Spring Washers - 5/16"
- E (1) Allen Wrench 4mm
- F (1) Hex Wrench 5/16"
- I (1) Wood Push Rod

**PARTS LIST**

- G (1) Game Top
- H (1) Table Top
- J (1) Game Board
- K (1) Square Platform
- L (1) Table Column
- M (1) Foot Base
- N (4) Bunn Feet



**STEP 1**

Begin assembly by attaching the Table Column (L) to the Foot Base (M) by inserting the threads in place and securing from the bottom using 4 Flat Washers (C), 4 Spring Washers (D) & 4 Hex Nuts (B). Secure in place using the Hex Wrench (F) that has been provided.

**STEP 2**

Attach each Bunn Foot (N) to the bottom of the Foot Base (M) by firmly screwing each in place. Do not overtighten.

**STEP 3**

Attach the Square Platform (K) to the top of the Table Column (L) by guiding the threads into the open holes and securing from the top with 4 Flat Washers (C), 4 Spring Washers (D) & 4 Hex Nuts (B). Secure in place using the Hex Wrench (F).

**STEP 4**

Attach the Table Top (G) to the top of the Square Platform (K) by aligning holes and securing from the bottom with 4 Allen Bolts (A), 4 Spring Washers (D) & 4 Flat Washers (C). Secure in place using the Allen Wrench (E) that has been provided.

**STEP 5**

Place the Wood Push Rod (I) into the open hole on the chessbox (so the Game Board can be flipped and removed) and insert the Game Board (J) into the open area on the Table Top. Once in place carefully center the Game Top (G) on the top of the Table Top to complete the assembly.