

Owner's Manual & Safety Instructions

Save This Manual Keep this manual for the safety warnings and precautions, assembly, operating, inspection, maintenance and cleaning procedures. Write the product's serial number in the back of the manual near the assembly diagram (or month and year of purchase if product has no number). Keep this manual and the receipt in a safe and dry place for future reference.

REV 15b

PITTSBURGH[®] AUTOMOTIVE

ITEM 62593

Bearing Separator and Puller Set



Visit our website at: <http://www.harborfreight.com>

Email our technical support at: productsupport@harborfreight.com

When unpacking, make sure that the product is intact and undamaged. If any parts are missing or broken, please call 1-888-866-5797 as soon as possible.

Copyright © 2015 by Harbor Freight Tools®. All rights reserved.

No portion of this manual or any artwork contained herein may be reproduced in any shape or form without the express written consent of Harbor Freight Tools. Diagrams within this manual may not be drawn proportionally. Due to continuing improvements, actual product may differ slightly from the product described herein. Tools required for assembly and service may not be included.

⚠ WARNING

**Read this material before using this product.
Failure to do so can result in serious injury.
SAVE THIS MANUAL.**

Specifications

Bearing Splitter Sizes	2"–3"
Push – Puller Leg Dimensions	2 sets with 2 extension legs each; 4"–5"
Yoke	6" with Center Adapter

Important Safety Information

Assembly Precautions

1. Assemble only according to these instructions. Improper assembly can create hazards.
2. Wear ANSI-approved safety goggles and heavy-duty work gloves during assembly.
3. Keep assembly area clean and well lit.
4. Keep bystanders out of the area during assembly.
5. Do not assemble when tired or when under the influence of alcohol, drugs or medication.

Use Precautions

1. This product is not a toy. Do not allow children to play with or near this item.
2. Use as intended only.
3. Inspect before every use; do not use if parts are loose or damaged.
4. Maintain product labels and nameplates. These carry important safety information. If unreadable or missing, contact Harbor Freight Tools for a replacement.

Specific Safety Precautions

1. Be certain that the separator jaws are evenly set between bearing halves before attempting to separate.
2. Lead Screw (5) should be centered on the shaft where the bearings are being pulled to avoid damaging shaft or bearing housing.
3. Avoid pinching or scraping the bearing shaft by securely (and squarely) placing the Jaws around the bearing housing.
4. Use care when removing the Lead Screw from the Case to avoid damaging the threads. Pry up from the ends of the Lead Screw.

Operating Instructions

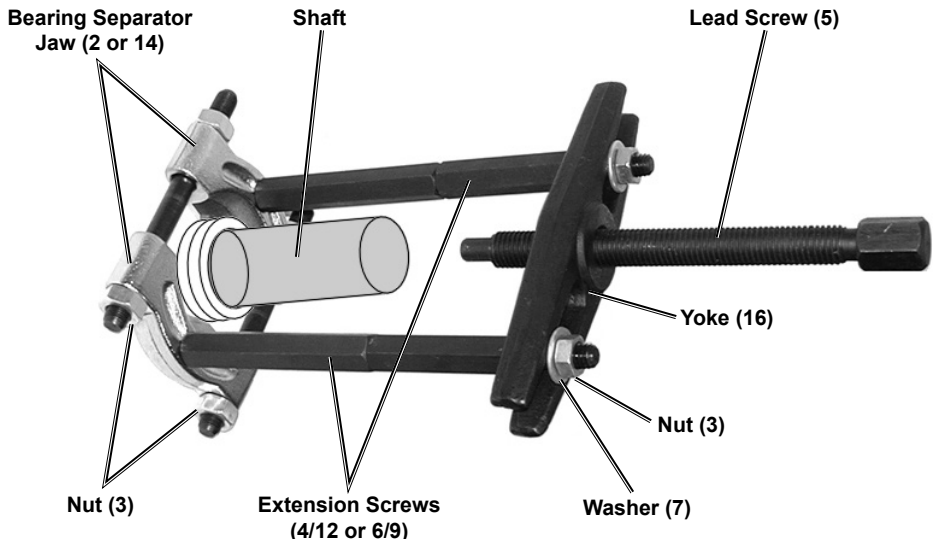


Read the **ENTIRE IMPORTANT SAFETY INFORMATION** section at the beginning of this document including all text under subheadings therein before set up or use of this product.

Pulling Bearings off Shaft

1. Select the proper size Bearing Separator Jaw (2 or 14) for the bearing size (2.2" ~ 3" or 2") being removed from the shaft.
2. Loosen the Separator Jaw Nuts (3) sufficiently to allow the jaws to catch behind the bearing housing.
3. Using a wrench (not included), begin to evenly tighten the Nuts until the jaws are securely set behind the bearing housing.
4. Screw in both Extension Screws of the same length (4/12 or 6/9) into the Bearing Separator Jaws as shown below.
5. Place the 6 inch Yoke (16) over the Extension Screws and tightly secure with Washers (7) and Nuts (3).
6. Screw Lead Screw (5) into the Yoke until it touches the center of the shaft where the bearings are mounted.
7. Using a wrench, turn the Lead Screw clockwise until the bearing housing begins to move off the shaft.
8. Continue turning the Lead Screw until the bearing housing is off the shaft.
9. Remove the Lead Screw by turning it counterclockwise.
10. Remove bearing housing.

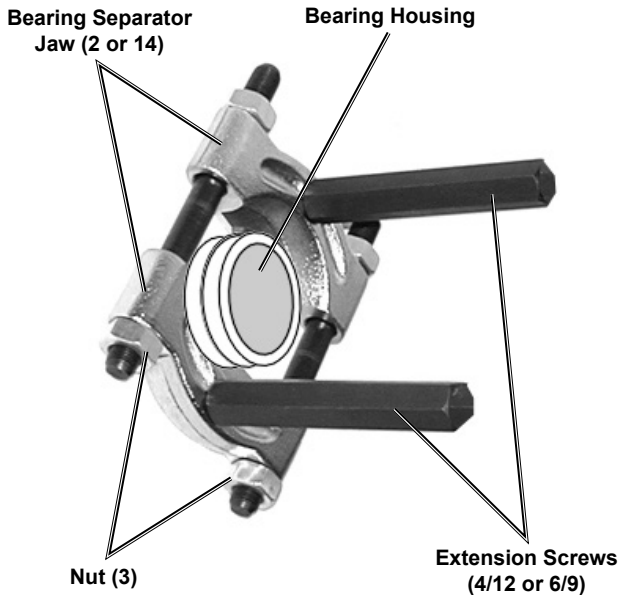
NOTE: Do not use Extension Screws of different lengths.



Separating Bearing Housings

1. Select the proper size Bearing Separator Jaw (2 or 14) for the bearing size being separated. Refer to the illustration below.
2. Loosen the Separator Jaw Nuts (3) sufficiently to allow the Jaws to catch between each bearing housing.
3. Using a wrench (not included) begin to tighten Nuts until the Jaws are securely set between the bearing housings.
4. Screw in the selected Extension Screws (4/12 or 6/9) as shown below.
5. The Extension Screws allow the user to grip them and add stability while tightening Nuts.
6. Continue tightening Nuts until the bearing housings are separated.
7. When the bearing housings are separated, remove the Bearing Separator Jaw.

CAUTION! Overtightening Separator Jaw Nuts may damage bearings.



Maintenance and Servicing

1. **BEFORE EACH USE**, inspect the general condition of the Bearing Puller. Check for:
 - loose attachments
 - misalignment or binding of moving parts
 - cracked or broken attachments
 - any other condition that may affect its safe operation.
2. **AFTER EACH USE**, wipe off Bearing Puller with clean, moist cloth.
3. Lubricate attachments regularly to ensure smooth operation.
4. Replace attachment if threads begin to wear and it will not attach to other components.

If any abnormality is found, have the problem corrected before further use.

PLEASE READ THE FOLLOWING CAREFULLY

THE MANUFACTURER AND/OR DISTRIBUTOR HAS PROVIDED THE PARTS LIST AND ASSEMBLY DIAGRAM IN THIS DOCUMENT AS A REFERENCE TOOL ONLY. NEITHER THE MANUFACTURER OR DISTRIBUTOR MAKES ANY REPRESENTATION OR WARRANTY OF ANY KIND TO THE BUYER THAT HE OR SHE IS QUALIFIED TO MAKE ANY REPAIRS TO THE PRODUCT, OR THAT HE OR SHE IS QUALIFIED TO REPLACE ANY PARTS OF THE PRODUCT. IN FACT, THE MANUFACTURER AND/OR DISTRIBUTOR EXPRESSLY STATES THAT ALL REPAIRS AND PARTS REPLACEMENTS SHOULD BE UNDERTAKEN BY CERTIFIED AND LICENSED TECHNICIANS, AND NOT BY THE BUYER. THE BUYER ASSUMES ALL RISK AND LIABILITY ARISING OUT OF HIS OR HER REPAIRS TO THE ORIGINAL PRODUCT OR REPLACEMENT PARTS THERETO, OR ARISING OUT OF HIS OR HER INSTALLATION OF REPLACEMENT PARTS THERETO.

Parts List and Diagram

Parts List

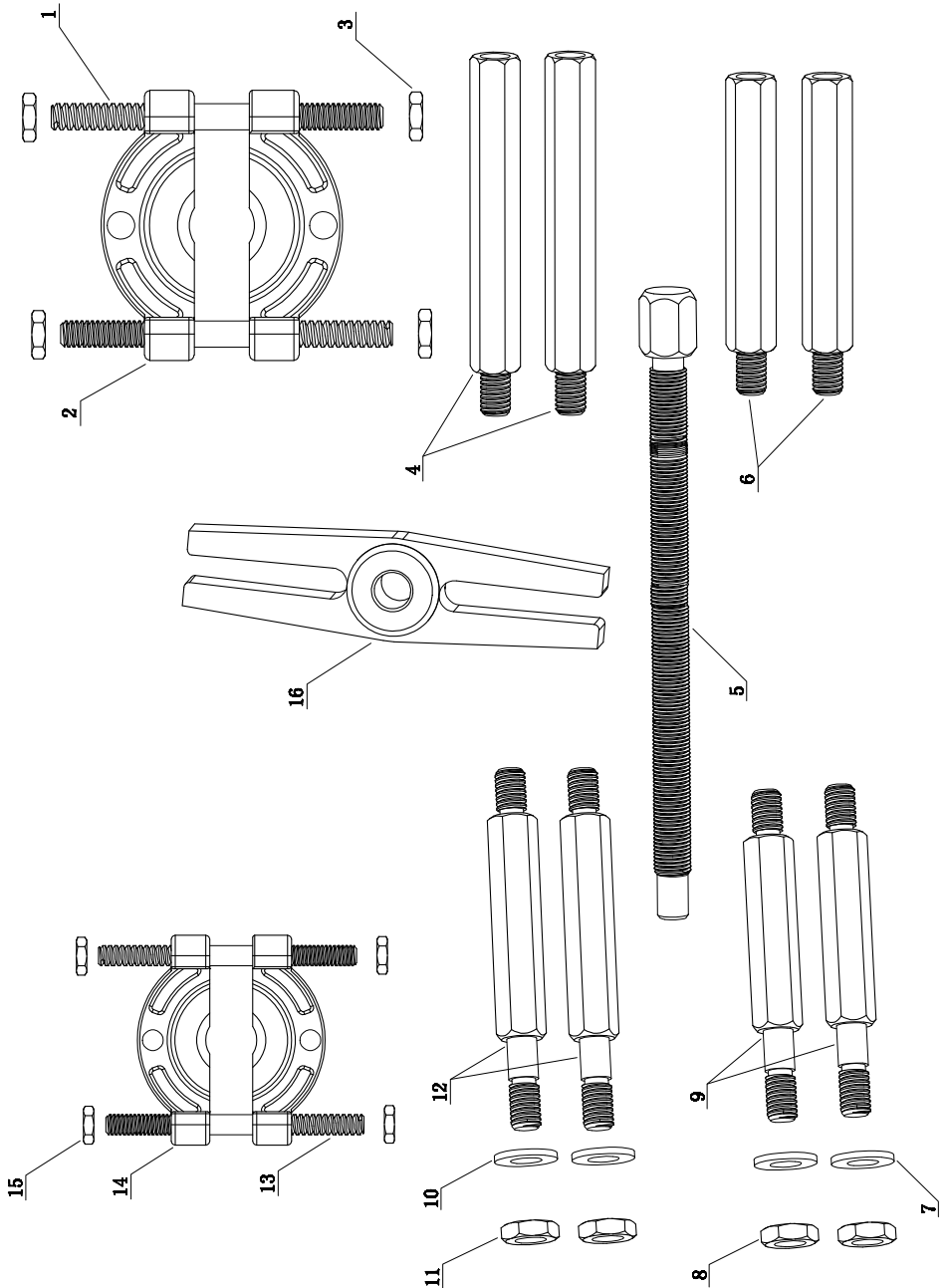
Part	Description	Qty.
1	Screw M12x1.25	2
2	Bearing Separator Jaw 2.2" ~3"	1
3	Nut M12x1.25	4
4	5" Extension Screw 3/8"-16 (Male and female threads)	2
5	Lead Screw	1
6	4" Extension Screw 3/8"-16 (Male and female threads)	2
7	Washer	2
8	Nut 3/8"-16	2
9	4" Extension Screw 3/8"-16 (Male threads)	2
10	Washer	2
11	Nut 3/8"-16	2
12	5" Extension Screw 3/8"-16 (Male threads)	2
13	Screw M10x1	2
14	Bearing Separator Jaw 2"	1
15	Nut M10x1	4
16	6" Yoke	1
17	Case (not shown)	1

Record Serial Number Here:

Note: If product has no serial number, record month and year of purchase instead.

Note: Some parts are listed and shown for illustration purposes only, and are not available individually as replacement parts.

Parts Diagram



Limited 90 Day Warranty

Harbor Freight Tools Co. makes every effort to assure that its products meet high quality and durability standards, and warrants to the original purchaser that this product is free from defects in materials and workmanship for the period of 90 days from the date of purchase. This warranty does not apply to damage due directly or indirectly, to misuse, abuse, negligence or accidents, repairs or alterations outside our facilities, criminal activity, improper installation, normal wear and tear, or to lack of maintenance. We shall in no event be liable for death, injuries to persons or property, or for incidental, contingent, special or consequential damages arising from the use of our product. Some states do not allow the exclusion or limitation of incidental or consequential damages, so the above limitation of exclusion may not apply to you. THIS WARRANTY IS EXPRESSLY IN LIEU OF ALL OTHER WARRANTIES, EXPRESS OR IMPLIED, INCLUDING THE WARRANTIES OF MERCHANTABILITY AND FITNESS.

To take advantage of this warranty, the product or part must be returned to us with transportation charges prepaid. Proof of purchase date and an explanation of the complaint must accompany the merchandise. If our inspection verifies the defect, we will either repair or replace the product at our election or we may elect to refund the purchase price if we cannot readily and quickly provide you with a replacement. We will return repaired products at our expense, but if we determine there is no defect, or that the defect resulted from causes not within the scope of our warranty, then you must bear the cost of returning the product.

This warranty gives you specific legal rights and you may also have other rights which vary from state to state.

PITTSBURGH[®] AUTOMOTIVE