

# Owner's Manual & Safety Instructions

**Save This Manual** Keep this manual for the safety warnings and precautions, assembly, operating, inspection, maintenance and cleaning procedures. Write the product's serial number in the back of the manual near the assembly diagram (or month and year of purchase if product has no number). Keep this manual and the receipt in a safe and dry place for future reference.

REV 16e

# drillmaster®

62869

18 VOLT

## Cordless Drill/ Flashlight Set



\*Only one Battery Pack included.

Visit our website at: <http://www.harborfreight.com>  
Email our technical support at: [productsupport@harborfreight.com](mailto:productsupport@harborfreight.com)

BC

When unpacking, make sure that the product is intact and undamaged. If any parts are missing or broken, please call 1-888-866-5797 as soon as possible.

Copyright© 2015 by Harbor Freight Tools®. All rights reserved.  
No portion of this manual or any artwork contained herein may be reproduced in any shape or form without the express written consent of Harbor Freight Tools. Diagrams within this manual may not be drawn proportionally. Due to continuing improvements, actual product may differ slightly from the product described herein. Tools required for assembly and service may not be included.

## ⚠WARNING

Read this material before using this product.  
Failure to do so can result in serious injury.  
**SAVE THIS MANUAL.**

## Specifications

Charger Input	100-240VAC, 50/60Hz
Charging Time	3-5 Hours
Battery Type	18V, NiCd; 1300 mAh
<b>Drill</b>	
Motor Speed	0-900 RPM
Chuck	3/8", Keyless
Settings	20 Torque Settings 1 Drill Setting
Max. Torque	7 ft.-lb.
<b>Flashlight</b>	
Light	9 LEDs
Adjustment	Three Position Tilt / 90° Adjustment
Runtime	12 Hours

## Important Safety Information

In this manual, on the labeling, and all other information provided with this product:



**This is the safety alert symbol. It is used to alert you to potential personal injury hazards. Obey all safety messages that follow this symbol to avoid possible injury or death.**

## **⚠ DANGER**

**DANGER** indicates a hazardous situation which, if not avoided, will result in death or serious injury.

## **⚠ WARNING**

**WARNING** indicates a hazardous situation which, if not avoided, could result in death or serious injury.

## **⚠ CAUTION**

**CAUTION**, used with the safety alert symbol, indicates a hazardous situation which, if not avoided, could result in minor or moderate injury.

## **NOTICE**

**NOTICE** is used to address practices not related to personal injury.

## CAUTION

**CAUTION**, without the safety alert symbol, is used to address practices not related to personal injury.

## General Power Tool Safety Warnings



**WARNING** Read all safety warnings and instructions. Failure to follow the warnings and instructions may result in electric shock, fire and/or serious injury.

**Save all warnings and instructions for future reference.**

The term "power tool" in the warnings refers to your mains-operated (corded) power tool or battery-operated (cordless) power tool.

- 1. Work area safety**
  - a. Keep work area clean and well lit.**  
*Cluttered or dark areas invite accidents.*
  - b. Do not operate power tools in explosive atmospheres, such as in the presence of flammable liquids, gases or dust.** *Power tools create sparks which may ignite the dust or fumes.*
  - c. Keep children and bystanders away while operating a power tool.** *Distractions can cause you to lose control.*
- 2. Electrical safety**
  - a. Do not expose power tools to rain or wet conditions.** *Water entering a power tool will increase the risk of electric shock.*
- 3. Personal safety**
  - a. Stay alert, watch what you are doing and use common sense when operating a power tool. Do not use a power tool while you are tired or under the influence of drugs, alcohol or medication.** *A moment of inattention while operating power tools may result in serious personal injury.*
  - b. Use personal protective equipment. Always wear eye protection.** *Safety equipment such as dust mask, non-skid safety shoes, hard hat, or hearing protection used for appropriate conditions will reduce personal injuries.*
  - c. Prevent unintentional starting. Ensure the switch is in the off-position before connecting to power source and/or battery pack, picking up or carrying the tool.** *Carrying power tools with your finger on the switch or energizing power tools that have the switch on invites accidents.*
  - d. Remove any adjusting key or wrench before turning the power tool on.** *A wrench*

or a key left attached to a *rotating part of the power tool may result in personal injury.*

- e. **Do not overreach. Keep proper footing and balance at all times.** *This enables better control of the power tool in unexpected situations.*
- f. **Dress properly. Do not wear loose clothing or jewelry. Keep your hair, clothing and gloves away from moving parts.** *Loose clothes, jewelry or long hair can be caught in moving parts.*
- g. **If devices are provided for the connection of dust extraction and collection facilities, ensure these are connected and properly used.** *Use of these devices can reduce dust-related hazards.*
- h. **Only use safety equipment that has been approved by an appropriate standards agency.** *Unapproved safety equipment may not provide adequate protection. Eye protection must be ANSI-approved and breathing protection must be NIOSH-approved for the specific hazards in the work area.*

#### 4. Power tool use and care

- a. **Do not force the power tool. Use the correct power tool for your application.** *The correct power tool will do the job better and safer at the rate for which it was designed.*
- b. **Do not use the power tool if the switch does not turn it on and off.** *Any power tool that cannot be controlled with the switch is dangerous and must be repaired.*
- c. **Disconnect the plug from the power source and/or the battery pack from the power tool before making any adjustments, changing accessories, or storing power tools.** *Such preventive safety measures reduce the risk of starting the power tool accidentally.*
- d. **Store idle power tools out of the reach of children and do not allow persons unfamiliar with the power tool or these instructions to operate the power tool.** *Power tools are dangerous in the hands of untrained users.*
- e. **Maintain power tools. Check for misalignment or binding of moving parts, breakage of parts and any other condition that may affect the power tool's operation. If damaged, have the power tool repaired before use.** *Many accidents are caused by poorly maintained power tools.*
- f. **Keep cutting tools sharp and clean.** *Properly maintained cutting tools with sharp cutting edges are less likely to bind and are easier to control.*
- g. **Use the power tool, accessories and tool bits etc. in accordance with these instructions, taking into account the working conditions and the work to be performed.** *Use of the power tool for operations different from those intended could result in a hazardous situation.*

#### 5. Battery tool use and care

- a. **Recharge only with the charger specified by the manufacturer.** *A charger that is suitable for one type of battery pack may create a risk of fire when used with another battery pack.*
- b. **Use power tools only with specifically designated battery packs.** *Use of any other battery packs may create a risk of injury and fire.*
- c. **When battery pack is not in use, keep it away from other metal objects, like paper clips, coins, keys, nails, screws or other small metal objects, that can make a connection from one terminal to another.** *Shorting the battery terminals together may cause burns or a fire.*
- d. **Under abusive conditions, liquid may be ejected from the battery; avoid contact. If contact accidentally occurs, flush with water. If liquid contacts eyes, additionally seek medical help.** *Liquid ejected from the battery may cause irritation or burns.*


#### 6. Service

- a. **Have your power tool serviced by a qualified repair person using only identical replacement parts.** *This will ensure that the safety of the power tool is maintained.*

## Drill Safety Warnings

- 1. **Hold power tools by insulated gripping surfaces when performing an operation where the cutting tool may contact hidden wiring or its own cord.** *Contact with a "live" wire will make exposed metal parts of the tool "live" and shock the operator.*
- 2. Let bit cool before touching, changing or adjusting it. Bits heat up dramatically while in use, and can burn you.
- 3. If the drill bit jams, release the trigger immediately; drill torque can cause injury or break bit.
- 4. Maintain labels and nameplates on the tool. These carry important safety information. If unreadable or missing, contact Harbor Freight Tools for a replacement.
- 5. Avoid unintentional starting. Prepare to begin work before turning on the tool.
- 6. Do not lay the tool down until it has come to a complete stop. Moving parts can grab the surface and pull the tool out of your control.
- 7. When using a handheld power tool, maintain a firm grip on the tool with both hands to resist starting torque.

8. Do not leave the tool unattended when it is plugged into an electrical outlet. Turn off the tool, and unplug it from its electrical outlet before leaving.

9.  The battery charger gets hot during use. The charger's heat can build up to unsafe levels and create a fire hazard if it does not receive adequate ventilation, due to an electrical fault, or if it is used in a hot environment. Do not place the charger on a flammable surface. Do not obstruct any vents on the charger. **Especially avoid placing the charger on carpets and rugs; they are not only flammable, but they also obstruct vents under the charger.**

Place the charger on a stable, solid, nonflammable surface (such as a stable metal workbench or concrete floor) at least 1 foot away from all flammable objects, such as drapes or walls. Keep a fire extinguisher and a smoke detector in the area. Frequently monitor the charger and battery while charging.

10. This product is not a toy. Keep it out of reach of children.

11. People with pacemakers should consult their physician(s) before use. Electromagnetic fields in close proximity to heart pacemaker could cause pacemaker interference or pacemaker failure. In addition, people with pacemakers should:

- Avoid operating alone.
- Do not use with power switch locked on.
- Properly maintain and inspect to avoid electrical shock.

12. **WARNING:** Some dust created by power sanding, sawing, grinding, drilling, and other construction activities, contains chemicals known to the State of California to cause cancer and birth defects or other reproductive harm. Some examples of these chemicals are:

- Lead from lead-based paints
- Crystalline silica from bricks and cement or other masonry products
- Arsenic and chromium from chemically treated lumber

Your risk from these exposures varies, depending on how often you do this type of work. To reduce your exposure to these chemicals: work in a well ventilated area, and work with approved safety equipment, such as those dust masks that are specially designed to filter out microscopic particles. (California Health & Safety Code § 25249.5, *et seq.*)

13. **WARNING:** The cord of this product contains lead and/or di (2-ethylhexyl) phthalate (DEHP), chemicals known to the State of California to cause cancer, and birth defects or other reproductive harm. Wash hands after handling. (California Health & Safety Code § 25249.5, *et seq.*)

14. **WARNING:** This product contains di (2-ethylhexyl) phthalate (DEHP), a chemical known to the State of California to cause cancer and birth defects or other reproductive harm. (California Health & Safety Code § 25249.5, *et seq.*)

15. The warnings, precautions, and instructions discussed in this instruction manual cannot cover all possible conditions and situations that may occur. It must be understood by the operator that common sense and caution are factors which cannot be built into this product, but must be supplied by the operator.

## Flashlight Safety Warnings

1. Do not shine directly into eyes of people or animals.
2. Not a toy; keep away from children.

## Vibration Safety

This tool vibrates during use. Repeated or long-term exposure to vibration may cause temporary or permanent physical injury, particularly to the hands, arms and shoulders. To reduce the risk of vibration-related injury:

1. Anyone using vibrating tools regularly or for an extended period should first be examined by a doctor and then have regular medical check-ups to ensure medical problems are not being caused or worsened from use. Pregnant women or people who have impaired blood circulation to the hand, past hand injuries, nervous system disorders, diabetes, or Raynaud's Disease should not use this tool. If you feel any symptoms related to vibration (such as tingling, numbness, and white or blue fingers), seek medical advice as soon as possible.
2. Do not smoke during use. Nicotine reduces the blood supply to the hands and fingers, increasing the risk of vibration-related injury.
3. Wear suitable gloves to reduce the vibration effects on the user.
4. Use tools with the lowest vibration when there is a choice.
5. Include vibration-free periods each day of work.
6. Grip tool as lightly as possible (while still keeping safe control of it). Let the tool do the work.
7. To reduce vibration, maintain the tool as explained in this manual. If any abnormal vibration occurs, stop use immediately.



**SAVE THESE  
INSTRUCTIONS.**

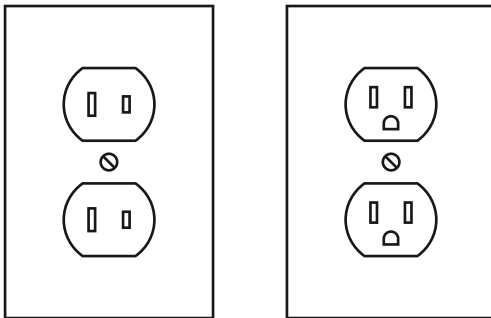
## Grounding

### ⚠️ WARNING



**TO PREVENT ELECTRIC SHOCK AND DEATH FROM INCORRECT GROUNDING WIRE CONNECTION:** Check with a qualified electrician if you are in doubt as to whether the outlet is properly grounded. Do not modify the power cord plug provided with the tool. Never remove the grounding prong from the plug. Do not use the tool if the power cord or plug is damaged. If damaged, have it repaired by a service facility before use. If the plug will not fit the outlet, have a proper outlet installed by a qualified electrician.

### Double Insulated Tools: Tools with Two Prong Plugs











Outlets for 2-Prong Plug

1. Tools marked “Double Insulated” do not require grounding. They have a special double insulation system which satisfies OSHA requirements and complies with the applicable standards of Underwriters Laboratories, Inc., the Canadian Standard Association, and the National Electrical Code.
2. Double insulated tools may be used in either of the 120 volt outlets shown in the preceding illustration. (See Outlets for 2-Prong Plug.)

## Extension Cords

Note: Extension cords must not be used with this item’s charger.

## Symbology

	Double Insulated
	Canadian Standards Association
	Underwriters Laboratories, Inc.
<b>VAC</b>	Volts Alternating Current
<b>A</b>	Amperes
n <sub>0</sub> xxxx/min.	No Load Revolutions per Minute (RPM)
	WARNING marking concerning Risk of Eye Injury. Wear ANSI-approved safety goggles with side shields.
	Read the manual before set-up and/or use.
	WARNING marking concerning Risk of Fire. Do not cover ventilation ducts. Keep flammable objects away.
	WARNING marking concerning Risk of Electric Shock. Properly connect power cord to appropriate outlet.
	WARNING marking concerning Risk of Explosion. Do not puncture, short, or open battery packs and do not charge damaged battery packs.

## Instructions for Putting into Use



Read the **ENTIRE IMPORTANT SAFETY INFORMATION** section at the beginning of this manual including all text under subheadings therein before set up or use of this product.

### **!WARNING**

**TO PREVENT SERIOUS INJURY FROM ACCIDENTAL OPERATION:**  
Unlock and release the Trigger and disconnect Battery Pack before assembling or making any adjustments to the tool.

**Note:** For additional information regarding the parts listed in the following pages, refer to *Parts List and Assembly Diagram* on page 10.



\*Only one Battery Pack included.

## Operating Instructions



Read the **ENTIRE IMPORTANT SAFETY INFORMATION** section at the beginning of this manual including all text under subheadings therein before set up or use of this product.

## Tool Set Up

### **⚠️WARNING**

**TO PREVENT SERIOUS INJURY FROM ACCIDENTAL OPERATION:**

Unlock and release the Trigger and disconnect Battery Pack before adjusting tool or installing accessories.

## Charging Drill/Flashlight

1. Place the Battery Pack on a dry fireproof surface in a room where the temperature is from 50–104° F.

**Note:** If recharging a newly spent Battery Pack, allow it to cool completely before charging.

**Make sure the Battery Pack is undamaged; do not charge a cracked or leaking battery pack.**

2. Disconnect the Cord from the Battery Charger. Attach the Adapter plug to a grounded, 120 VAC, 60 Hz outlet.
3. Plug the Charger into the power supply and the **red** charging light will activate, showing that power is supplied to the Charger.
4. Slide the Battery Pack onto the Charger's base. The charging indicator light will remain red while the battery accepts the charge.

**Note:** The Battery Pack's capacity will increase somewhat during the first few charging cycles. A fully discharged battery will take about 3-5 hours to fully charge.

5. While charging, the Battery Pack and Charger, and Adapter may become warm to the touch. This is normal, and does not indicate a problem.
6. After 3-5 hours, the green charging indicator will light to show the battery is fully charged, and the battery charger will shut off.  
**Remove the battery immediately after charging.**
7. Unplug the Charger and disconnect it from the Battery Pack when finished.
8. Allow the Battery Pack to cool completely before using it.

9. Press the Battery Button to release Battery Pack from the Charger (or when removing it from the Drill or Flashlight).
10. Store the Charger and Battery Pack indoors, out of reach of children. **WARNING!** Do NOT use a different Charger or Battery to power this Drill or Flashlight.

## Drill Operating Instructions

### **⚠️WARNING**

**TO PREVENT SERIOUS INJURY FROM ACCIDENTAL OPERATION:**

Always make sure the Trigger Switch of the Cordless drill is in its "OFF" position, the Battery Pack is disconnected from the Drill, and the Direction Switch is centered in its mid-position (which locks the Trigger) prior to making any adjustments to the tool.

- **DO NOT** install the Battery Pack until **AFTER** you complete the following steps to set up the Drill for use.
  - Refer to page 6 for the location of the parts of the Drill for the following steps.
1. The Drill is designed to accept up to 3/8" standard drill bits. Do not use larger drill bits in this Drill as damage to the gears and/or motor may result. Always use a drill bit that is designed for the specific drilling job.
  2. To "lock" the trigger mechanism as a safety measure, press down the Direction Switch so that it is in the "center" position. This will prevent the drill turning on accidentally.
  3. While holding the ring behind the collar of the chuck with one hand, rotate the collar of the Chuck counterclockwise, if needed, and place the desired drill bit or screw driver bit into the drill between the Chuck Jaws.
  4. Hand tighten the Chuck until the bit is held securely in place, centered between the Chuck Jaws.

Keyless Chuck      Torque Adjustment Ring



5. Set the desired torque setting by rotating the Torque Adjustment Ring to desired setting.
  - a. **The numbered speed settings from 1 to 20 are for driving screws, bolts and nuts.**
  - b. **Use the torque setting (marked by the drill icon) for drilling.**
    - It is recommended that a very low torque setting be used when first driving small screws into soft materials. Then adjust the setting as the proper force required is determined.
    - The torque setting required depends on the being driven. In the case of screws, consider the size, length, and type of material.
    - If a pilot hole has been drilled into the material, a lower torque setting will be required.
  - c. In addition to single or double-ended screwdriver bits, adapters with hexagonal shafts with matching socket heads can also be used.
    - Fix the torque setting low enough to allow a safety margin.
8. When finished using the Drill, release the Trigger and center the Direction Switch to lock the trigger mechanism as a safety measure.
9. Remove the Battery Pack.
10. Clean then store the Drill indoors and out of children's reach.

## Operating Flashlight

1. Insert fully charged Battery Pack into base of Flashlight, making sure it clicks into place securely.
2. Adjust the Flashlight's head position by rotating it up or down to click in place at any of the three locking positions.
3. Press the Power Button to activate LED light.
4. When finished with Flashlight, press Power Button again to turn off LED light.
5. Remove the Battery Pack.
6. Clean then store the Drill indoors and out of children's reach.

### Operating the Drill

1. Insert the fully charged Battery Pack into the base of the Drill, making sure that it clicks into place securely. Be sure the Battery Pack is securely seated into the Drill Handle so it does not fall off during use.
2. Slide the Direction Switch (which should initially be centered in the "lock" position) to the right for forward drilling/fastening, or to the left for reversing the operation. Use the "reverse" setting only to remove screws or to release jammed drill bit.

**WARNING! Do not change direction of rotation while Chuck is rotating.** Wait until Chuck has come to a complete stop before changing direction.

3. If using the Drill to insert or remove screws, position the driver tip in the to insert or remove.
4. If drilling a hole, hold the Drill above the area to drill.
5. Press the Trigger to start the drill. The Work Light will also activate once the Switch is pressed and turn off once Switch is released.
6. When inserting or removing a screw or bolt, use slight pressure at first to keep the screw driver bit in the head of the screw or bolt and cause the screw or bolt to thread into or unthread from the material.
7. When drilling a hole, let the Drill do the work, using only enough pressure to follow the drill as it cuts the hole in the material.

## Maintenance and Servicing



**Procedures not specifically explained in this manual must be performed only by a qualified technician.**

### **WARNING**

**TO PREVENT SERIOUS INJURY FROM ACCIDENTAL OPERATION:**  
**Unlock and release the Trigger and disconnect Battery Pack before performing any inspection, maintenance, or cleaning procedures.**

**TO PREVENT SERIOUS INJURY FROM TOOL FAILURE:**  
**Do not use damaged equipment. If abnormal noise or vibration occurs, have the problem corrected before further use.**

## Cleaning, Maintenance, and Lubrication

1. **BEFORE EACH USE**, inspect the general condition of the tool. Check for loose hardware, misalignment or binding of moving parts, cracked or broken parts, damaged electrical wiring, and any other condition that may affect its safe operation.
2. **AFTER USE**, wipe external surfaces of the tool with clean cloth.

3. **NiCd BATTERY MUST BE RECYCLED OR DISPOSED OF PROPERLY.** Do not short, incinerate or open Battery Pack.
4. When storing, always store in clean, dry and safe location out of reach of children.

5. **⚠️WARNING!** If the supply cord of this power tool's charger is damaged, it must be replaced only by a qualified service technician.

## Troubleshooting

<b>Problem</b>	<b>Possible Causes</b>	<b>Likely Solutions</b>
Tool will not start.	<ol style="list-style-type: none"> <li>1. No power at outlet during charging.</li> <li>2. Internal damage or wear. (Carbon brushes or switch, for example.)</li> </ol>	<ol style="list-style-type: none"> <li>1. 1. Check power at outlet. If outlet is unpowered, turn off tool and check circuit breaker. If breaker is tripped, make sure circuit is right capacity for tool and circuit has no other loads.</li> <li>2. 2. Have technician service tool.</li> </ol>
Performance decreases over time.	<ol style="list-style-type: none"> <li>1. Accessory dull or damaged.</li> <li>2. Carbon brushes worn or damaged.</li> </ol>	<ol style="list-style-type: none"> <li>1. Keep accessories sharp. Replace as needed.</li> <li>2. Have qualified technician replace brushes.</li> </ol>
Excessive noise or rattling.	Internal damage or wear. (Carbon brushes or bearings, for example.)	Have technician service tool.
Overheating.	<ol style="list-style-type: none"> <li>1. Forcing tool to work too fast.</li> <li>2. Accessory misaligned.</li> <li>3. Accessory dull or damaged.</li> <li>4. Blocked motor housing vents</li> </ol>	<ol style="list-style-type: none"> <li>1. Allow tool to work at its own rate.</li> <li>2. Check and correct accessory to fence and/or table alignment.</li> <li>3. Keep cutting accessories sharp. Replace as needed.</li> <li>4. Wear ANSI-approved safety goggles and NIOSH-approved dust mask/respirator while blowing dust out of motor using compressed air.</li> </ol>
Overheating.	<ol style="list-style-type: none"> <li>1. Forcing tool to work too fast.</li> <li>2. Accessory misaligned.</li> <li>3. Accessory dull or damaged.</li> <li>4. Motor vents clogged with dust.</li> </ol>	<ol style="list-style-type: none"> <li>1. Allow tool to work at its own rate.</li> <li>2. Check and correct accessory to fence and/or table alignment.</li> <li>3. Keep cutting accessories sharp. Replace as needed.</li> <li>4. Wear ANSI-approved safety goggles and NIOSH-approved dust mask/respirator while blowing dust out of motor using compressed air.</li> </ol>



**Follow all safety precautions whenever diagnosing or servicing the tool. Disconnect power supply before service.**

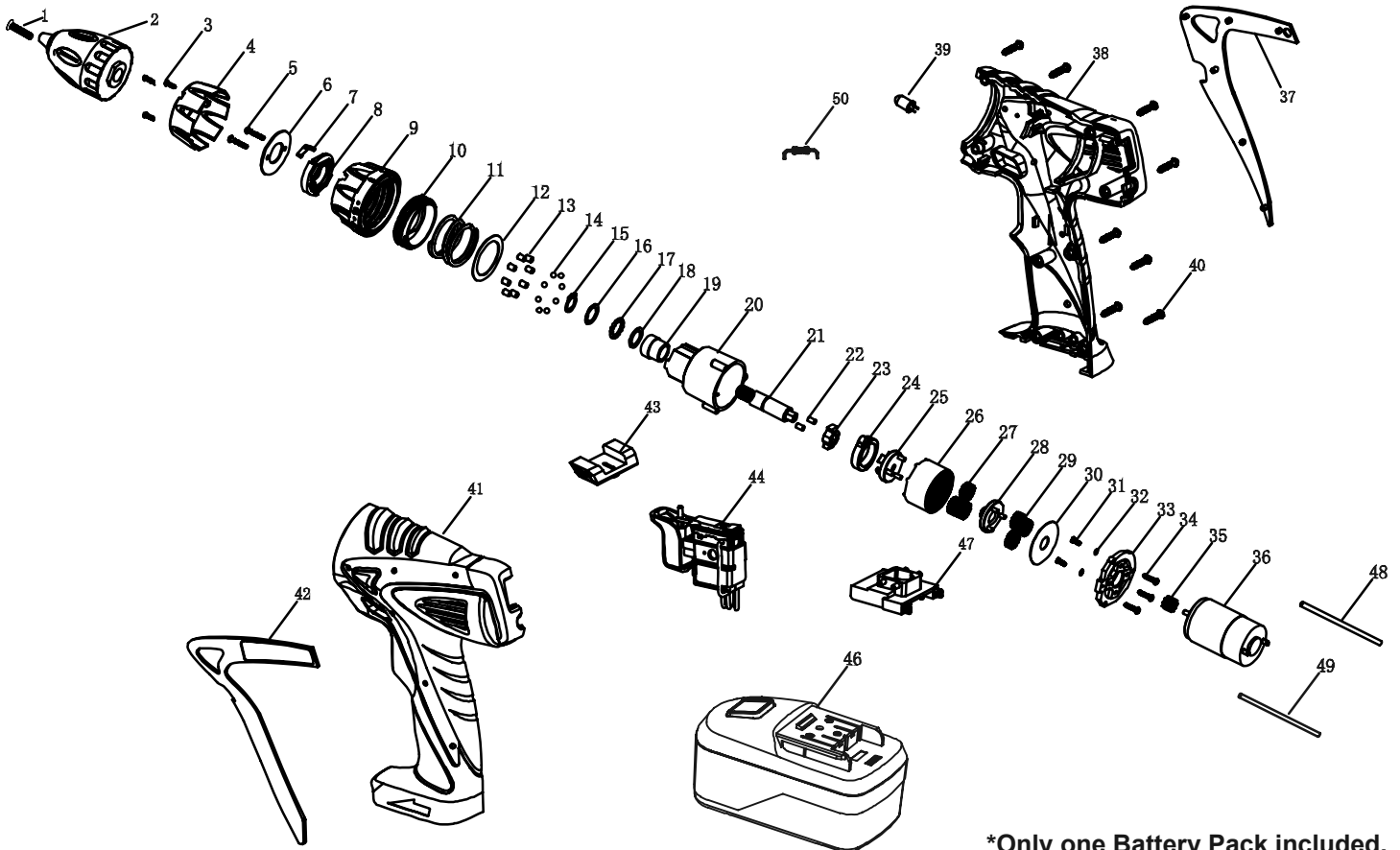
## PLEASE READ THE FOLLOWING CAREFULLY

THE MANUFACTURER AND/OR DISTRIBUTOR HAS PROVIDED THE PARTS LIST AND ASSEMBLY DIAGRAM IN THIS MANUAL AS A REFERENCE TOOL ONLY. NEITHER THE MANUFACTURER OR DISTRIBUTOR MAKES ANY REPRESENTATION OR WARRANTY OF ANY KIND TO THE BUYER THAT HE OR SHE IS QUALIFIED TO MAKE ANY REPAIRS TO THE PRODUCT, OR THAT HE OR SHE IS QUALIFIED TO REPLACE ANY PARTS OF THE PRODUCT. IN FACT, THE MANUFACTURER AND/OR DISTRIBUTOR EXPRESSLY STATES THAT ALL REPAIRS AND PARTS REPLACEMENTS SHOULD BE UNDERTAKEN BY CERTIFIED AND LICENSED TECHNICIANS, AND NOT BY THE BUYER. THE BUYER ASSUMES ALL RISK AND LIABILITY ARISING OUT OF HIS OR HER REPAIRS TO THE ORIGINAL PRODUCT OR REPLACEMENT PARTS THERETO, OR ARISING OUT OF HIS OR HER INSTALLATION OF REPLACEMENT PARTS THERETO.

## Drill Parts List and Assembly Diagram

Part	Description	Qty
1	Screw	1
2	Drill Chuck	1
3	Screw	3
4	Torque Ring	1
5	Screw	2
6	Cover	1
7	Plate Spring	1
8	Cover	1
9	Torque Setting Ring	1
10	Pivot Circle	1
11	Compression Spring	1
12	Washer	1
13	Runner Axle	8
14	Steel Ball	8
15	Circlip	1
16	Washer	1
17	Steel Ball	15
18	Washer	1
19	Shaft Housing	1
20	Gearbox	1
21	Shaft	1
22	Runner Axle	2
23	Self-Locking Core	1
24	Self-Locking Circle	1
25	Self-Locking Gear Holder	1

Part	Description	Qty
26	Inner Gear Ring	1
27	Metal Gear	3
28	Gear Holder	1
29	Gear	3
30	Washer	1
31	Screw	2
32	Washer	2
33	Gearbox Cover	1
34	Screw	3
35	Motor Gear	1
36	Motor	1
37	Lower Trim Strip	1
38	Right Housing	1
39	LED	1
40	Screw	8
41	Left Housing	1
42	Upper Trim Strip	1
43	Reverse Switch	1
44	Trigger	1
46	Battery Terminal	1
47	Tip Holder	1
48	Red Wire	4
49	Black Wire	4
50	Resistor	2

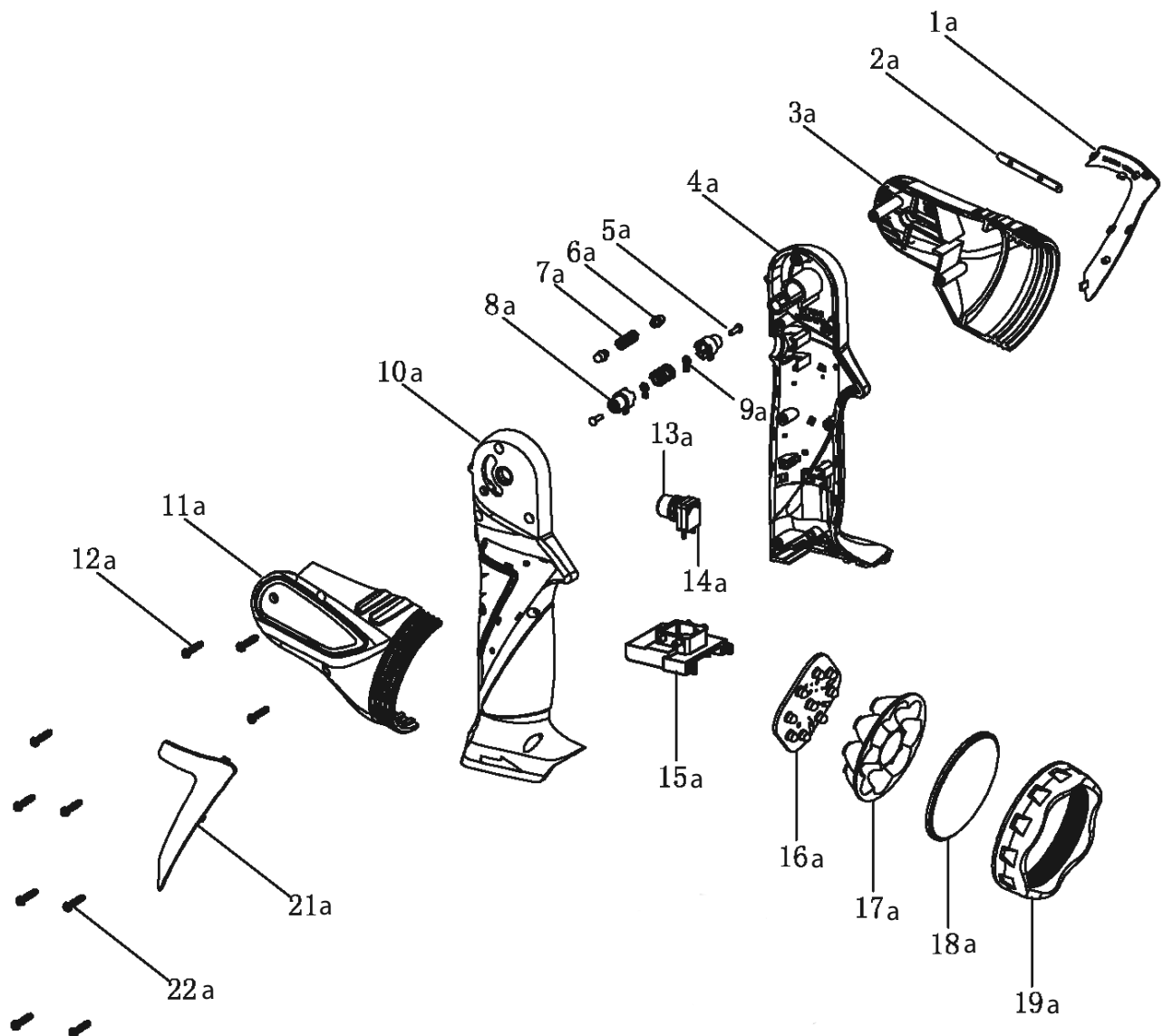


\*Only one Battery Pack included.

## Flashlight Parts List and Assembly Diagram

Part	Description	Qty.
1a	Left Housing Trim	1
2a	Trim Connector	1
3a	Left Top Housing	1
4a	Left Bottom Housing	1
5a	Rivet	2
6a	Button	2
7a	Spring	1
8a	Pivot	1
9a	Connector	2
10a	Right Top Housing	1
11a	Right Bottom Housing	1

Part	Description	Qty.
12a	Screw	3
13a	Power Button	1
14a	Internal Switch	1
15a	Battery Terminal	1
16a	LED Array	1
17a	Reflector	1
18a	Lens	1
19a	Lens Holder	1
21a	Right Housing Trim	1
22a	Screw	7



Record Product's Serial Number Here: \_\_\_\_\_

**Note:** If product has no serial number, record month and year of purchase instead.

**Note:** Some parts are listed and shown for illustration purposes only, and are not available individually as replacement parts.

## Limited 90 Day Warranty

Harbor Freight Tools Co. makes every effort to assure that its products meet high quality and durability standards, and warrants to the original purchaser that this product is free from defects in materials and workmanship for the period of 90 days from the date of purchase. This warranty does not apply to damage due directly or indirectly, to misuse, abuse, negligence or accidents, repairs or alterations outside our facilities, criminal activity, improper installation, normal wear and tear, or to lack of maintenance. We shall in no event be liable for death, injuries to persons or property, or for incidental, contingent, special or consequential damages arising from the use of our product. Some states do not allow the exclusion or limitation of incidental or consequential damages, so the above limitation of exclusion may not apply to you. THIS WARRANTY IS EXPRESSLY IN LIEU OF ALL OTHER WARRANTIES, EXPRESS OR IMPLIED, INCLUDING THE WARRANTIES OF MERCHANTABILITY AND FITNESS.

To take advantage of this warranty, the product or part must be returned to us with transportation charges prepaid. Proof of purchase date and an explanation of the complaint must accompany the merchandise. If our inspection verifies the defect, we will either repair or replace the product at our election or we may elect to refund the purchase price if we cannot readily and quickly provide you with a replacement. We will return repaired products at our expense, but if we determine there is no defect, or that the defect resulted from causes not within the scope of our warranty, then you must bear the cost of returning the product.

This warranty gives you specific legal rights and you may also have other rights which vary from state to state.



3491 Mission Oaks Blvd. • PO Box 6009 • Camarillo, CA 93011 • 1-888-866-5797