

Items Supplied >

- 1 – Fi2000AT Fuel Injection Module
- 2 – Zip Ties
- 1 – Velcro Strip

Application(s) >

- | | |
|------------------|----------|
| HARLEY 95-05 | FLH |
| W/Fuel Injection | FLHT |
| | FLHS |
| | FLTR |
| | ROADKING |

Instruction Manual >

692-1600AT

Page 1 of 2

Read all instructions carefully and completely before installing your new Fi2000AT module. It is recommended that a qualified mechanic or technician install this product.

1. Remove the seat and air cleaner assembly. Remove both front and rear gas tank mounting bolts.
2. Prop the rear of the gas tank up approximately 2".
3. Locate the factory connector on each fuel injector. Depress the wire clip on the injector and pull the connector free and move out of way. **Note:** A pair of needle nose pliers and a long flat blade screwdriver helps with this job. If you have a 2002 or newer Harley see the additional instructions on sheet 2.
4. Lay the Fi2000 module in place, but do not attach it to the motorcycle, and run the wiring harness up to the manifold area behind the other wiring of the throttle body (See figure 1). Attach one pair of the Fi2000 module's injector plugs to the front injector. Take the original HD connector and insert the corresponding Fi2000 connector into it. (For model years 02' and Up refer to figure 2, for model years 95-01 refer to figure 3)
5. Attach the Fi2000 module's remaining pair of connectors to the rear injector. Then take the original HD connector and insert the corresponding Fi2000 connector into it. (For model years 02' and Up refer to figure 2, for model years 95-01 refer to figure 3). Use one of the supplied zip-ties to secure the Fi2000 wire harness to the upper motor mount before it is routed back towards the seat area.
6. Route the BLACK wire from the Cobra® module to the negative post of the battery as shown in figure 1.
7. Verify the wire connections; turn on the ignition and watch the Fi2000 LED logo, confirm that the LED blinks several times then turns off. If you do not see any blinking, it may be necessary to wait for the alarm to reset (if applicable) and try again. Also confirm the side stand is up, bike is in neutral, clutch is in and handle bar engine switch is set to run (where applicable). Start the bike and the Fi2000 logo should remain solid red, which confirm the unit is fully functioning. If it flashes while the bike is running, turn off the bike and recheck that all harness connections (injectors, ground wire, and O2 sensors when applicable) have been properly made. Re-verify by turning ignition on while watching for flashing LED, prior to starting. Start and confirm LED remains ON solid red. **NOTE:** Make sure ignition is turned off before attempting to change any Fi2000 harness connections.
8. Route the Fi2000 wiring harness along side the factory harness using the supplied zip ties, keeping it off the cylinder head or getting it pinched under the gas tank. Lower and re-attach the fuel tank.
9. Remove the backing from the Velcro and attach the Fi2000 next to the battery as shown in fig 1.
10. Re-install the seat and air cleaner assembly.

*** Cobra® recommends you always wear a helmet while riding. Please never operate your motorcycle while under the influence of alcohol and/or drugs. Enjoy the new look of your motorcycle and please ride safely.**

The following instructions apply to the **02 - 05**

1. If you need additional access to the fuel injector connectors, you can remove the Idle Air solenoid by removing the two 5/16" bolts holding it on and loosening the Torx #20 screw on throttle cable bracket. Make sure to use locktite when refitting the two 5/16" bolts and correctly position the o-ring when reattaching.

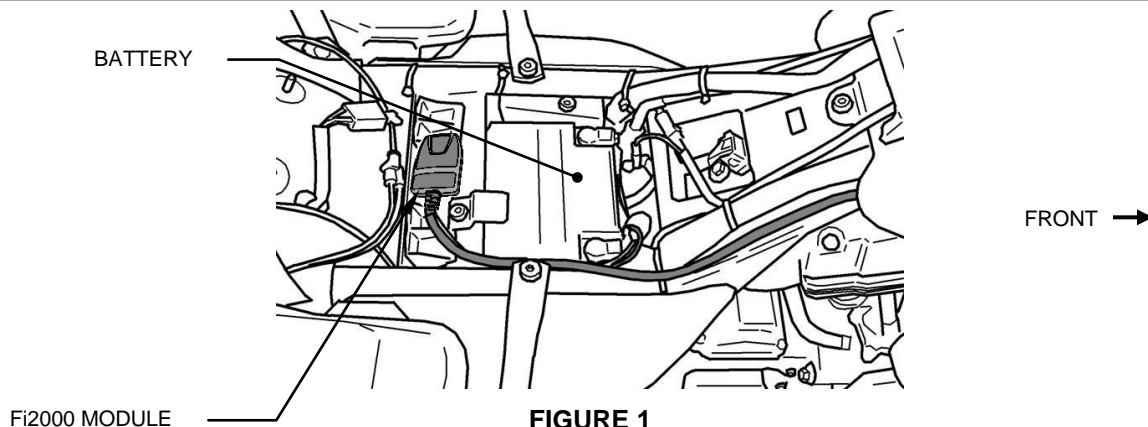


FIGURE 1
(02-05 shown, 95' - 01' similar)

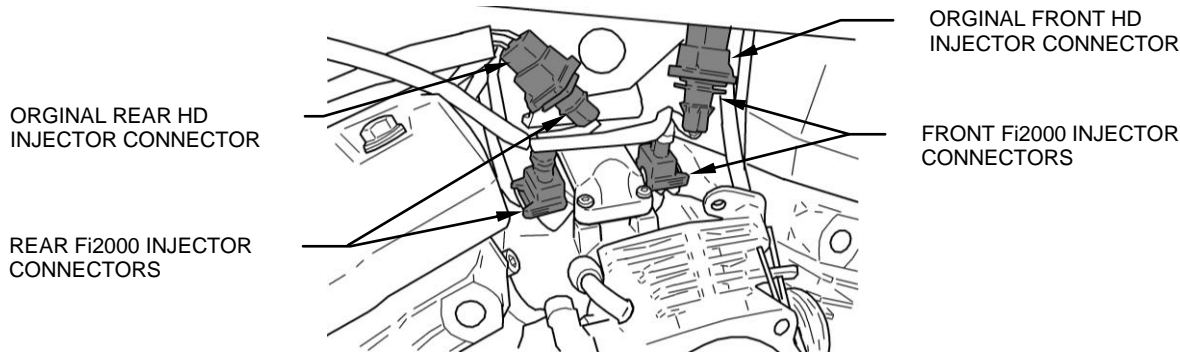


FIGURE 2
(02 - 05 W/Fi2000 installed and Air Injector Solenoid removed)

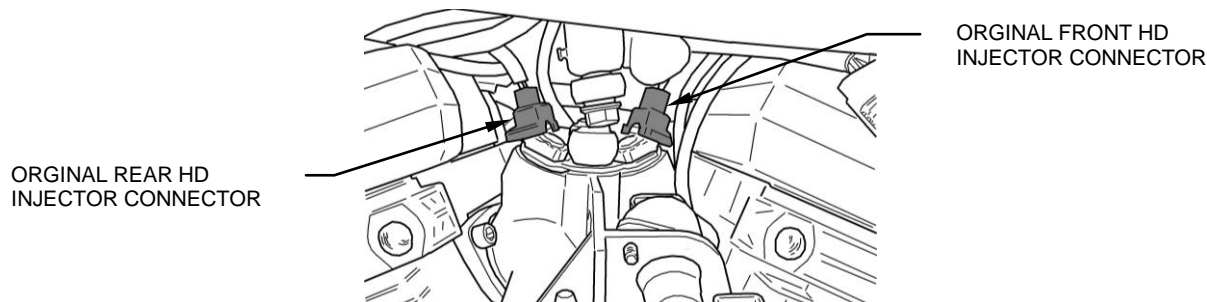


FIGURE 3 (95 - 01 W/O Fi2000 installed)

NOTE: For California riders we offer Air Resources Board approved Fi2000R ARB units. (ARB E.O. No. D-633-1). All other Fi2000 models are not legal for street use in California.