

Owner's Manual & Safety Instructions

Save This Manual Keep this manual for the safety warnings and precautions, assembly, operating, inspection, maintenance and cleaning procedures. Write the product's serial number in the back of the manual near the assembly diagram (or month and year of purchase if product has no number). Keep this manual and the receipt in a safe and dry place for future reference.

REV 15e

CENTRAL PNEUMATIC®

airbrush compressor and airbrush kit



Visit our website at: <http://www.harborfreight.com>
Email our technical support at: productsupport@harborfreight.com

ITEM 69434

When unpacking, make sure that the product is intact and undamaged. If any parts are missing or broken, please call 1-888-866-5797 as soon as possible.

Copyright© 2012 by Harbor Freight Tools®. All rights reserved.
No portion of this manual or any artwork contained herein may be reproduced in any shape or form without the express written consent of Harbor Freight Tools. Diagrams within this manual may not be drawn proportionally. Due to continuing improvements, actual product may differ slightly from the product described herein.
Tools required for assembly and service may not be included.

⚠ WARNING






**Read this material before using this product.
Failure to do so can result in serious injury.
SAVE THIS MANUAL.**

Table of Contents

Safety	2	Maintenance	8
Setup	6	Parts List and Diagram	10
Specifications	6	Warranty	12
Operation.....	7		

CENTRALPNEUMATIC®

WARNING SYMBOLS AND DEFINITIONS

	This is the safety alert symbol. It is used to alert you to potential personal injury hazards. Obey all safety messages that follow this symbol to avoid possible injury or death.
	Indicates a hazardous situation which, if not avoided, will result in death or serious injury.
	Indicates a hazardous situation which, if not avoided, could result in death or serious injury.
	Indicates a hazardous situation which, if not avoided, could result in minor or moderate injury.
	Addresses practices not related to personal injury.

SAFETY

SETUP

OPERATION

MAINTENANCE

IMPORTANT SAFETY INFORMATION

General Safety Warnings



WARNING Read all safety warnings and instructions.

Failure to follow the warnings and instructions may result in electric shock, fire and/or serious injury.
Save all warnings and instructions for future reference.

The warnings, precautions, and instructions discussed in this instruction manual cannot cover all possible conditions and situations that may occur. It must be understood by the operator that common sense and caution are factors which cannot be built into this product, but must be supplied by the operator.

1. **Work area safety**
 - a. **Keep work area clean and well lit.**
Cluttered or dark areas invite accidents.
 - b. **Do not operate the Compressor in explosive atmospheres, such as in the presence of flammable liquids, gases or dust.**
Compressor motors produce sparks which may ignite the dust or fumes.
 - c. **Keep children and bystanders away from an operating compressor.**
2. **Electrical safety**
 - a. **Compressor plugs must match the outlet. Never modify the plug in any way. Do not use any adapter plugs with grounded compressors.** Standard plugs and matching outlets will reduce risk of electric shock.
 - b. **Do not expose compressor to rain or wet conditions.** Water entering a compressor will increase the risk of electric shock.
 - c. **Do not abuse the cord. Never use the cord for unplugging the compressor. Keep cord away from heat, oil, sharp edges or moving parts.** Damaged or entangled cords increase the risk of electric shock.
3. **Personal safety**
 - a. **Stay alert, watch what you are doing and use common sense when operating this compressor. Do not use this compressor while you are tired or under the influence of drugs, alcohol or medication.** A moment of inattention while operating a compressor may result in serious personal injury.
 - b. **Use personal protective equipment. Always wear ANSI-approved eye protection during setup and use.**
 - c. **Prevent unintentional starting. Ensure the switch is in the off-position before connecting to power source or moving the compressor.**
4. **Compressor use and care**
 - a. **Do not use the compressor if the switch does not turn it on and off.** Any compressor that cannot be controlled with the switch is dangerous and must be repaired.
 - b. **Disconnect the plug from the power source before making any adjustments, changing accessories, or storing the compressor.** Such preventive safety measures reduce the risk of starting the compressor accidentally.
 - c. **Store an idle compressor out of the reach of children and do not allow persons unfamiliar with the compressor or these instructions to operate it.** A compressor is dangerous in the hands of untrained users.
 - d. **Maintain the compressor. Keep the compressor clean for better and safer performance. Follow instructions for lubricating and changing accessories. Keep dry, clean and free from oil and grease. Check for misalignment or binding of moving parts, breakage of parts and any other condition that may affect the compressor's operation. If damaged, have the compressor repaired before use.** Many accidents are caused by a poorly maintained compressor.
 - e. **Use the compressor in accordance with these instructions, taking into account the working conditions and the work to be performed.** Use of the compressor for operations different from those intended could result in a hazardous situation.
5. **Service**
 - a. **Have your compressor serviced by a qualified repair person using only identical replacement parts.** This will ensure that the safety of the compressor is maintained.

Air Compressor Safety Warnings

SAFETY

SETUP

OPERATION

MAINTENANCE

1. **Risk of fire or explosion - do not spray flammable liquid in a confined area or towards a hot surface. Spray area must be well-ventilated. Do not smoke while spraying or spray where spark or flame is present. Arcing parts - keep compressor at least 20 feet away from explosive vapors, such as when spraying with a spray gun.**
2. **Risk of injury - do not direct air stream at people or animals.**
3. **Do not use to supply breathing air.**
4. **Do not leave compressor unattended for an extended period while plugged in. Unplug compressor after working.**
5. **Keep compressor well-ventilated. Do not cover compressor during use.**
6. Drain Tank daily and after use.
7. Do not remove the valve cover or adjust internal components.
8. Compressor head gets hot during operation. Do not touch it or allow children nearby during or immediately following operation.
9. Do not use the air hose to move the compressor.
10. The use of accessories or attachments not recommended by the manufacturer may result in a risk of injury to persons.
11. All air line components, including hoses, pipe, connectors, filters, etc., must be rated for a minimum working pressure of 150 PSI, or 150% of the maximum system pressure, whichever is greater.
12. **USE OF AN EXTENSION CORD IS NOT RECOMMENDED.** If you choose to use an extension cord, use the following guidelines:
 - a. Make sure your extension cord is in good condition.
 - b. Be sure to use an extension cord which is heavy enough to carry the current your product will draw. An undersized cord will cause a drop in line voltage resulting in loss of power and overheating. Table A shows the correct size to use depending on cord length and nameplate ampere rating. If in doubt, use the next heavier gauge. The smaller the gauge number, the heavier the cord.
13. Industrial applications must follow OSHA guidelines.
14. Maintain labels and nameplates on the compressor. These carry important safety information. If unreadable or missing, contact Harbor Freight Tools for a replacement.
15. This product is not a toy. Keep it out of reach of children.
16. Operate unit on level surface.
17. People with pacemakers should consult their physician(s) before use. Electromagnetic fields in close proximity to heart pacemaker could cause pacemaker interference or pacemaker failure.
18. **WARNING:** The brass components of this product contain lead, a chemical known to the State of California to cause cancer and birth defects or other reproductive harm. (California Health & Safety Code § 25249.5, *et seq.*)
19. **WARNING:** The cord of this product contains lead and/or di (2-ethylhexyl) phthalate (DEHP), chemicals known to the State of California to cause cancer, and birth defects or other reproductive harm. Wash hands after handling. (California Health & Safety Code § 25249.5, *et seq.*)
20. **This Compressor will automatically shut off on overload or under excessive heat.** Should this occur, turn the Power Switch to its "OFF" position. Wait until the Compressor cools. Then, turn the Power Switch to its "ON" position to resume work.
21. **Spray painting only.** Never use this unit with gasoline, kerosene, or any other flammable solvent.
22. Follow all precautions on materials being propelled (paints, stains varnishes, etc.).
23. NIOSH-approved respirator and proper ventilation are needed during use.

TABLE A: RECOMMENDED MINIMUM WIRE GAUGE FOR EXTENSION CORDS (120 VOLT)				
NAMEPLATE AMPERES (at full load)	EXTENSION CORD LENGTH			
	25'	50'	100'	150'
0 – 6	18	16	16	14
6.1 – 10	18	16	Do not use.	
10.1 – 12	16	16	Do not use.	
12.1 – 16	14	12	Do not use.	



SAVE THESE INSTRUCTIONS.

⚠️ WARNING



TO PREVENT ELECTRIC SHOCK AND DEATH FROM INCORRECT GROUNDING WIRE CONNECTION:

Check with a qualified electrician if you are in doubt as to whether the outlet is properly grounded. Do not modify the power cord plug provided with the compressor.

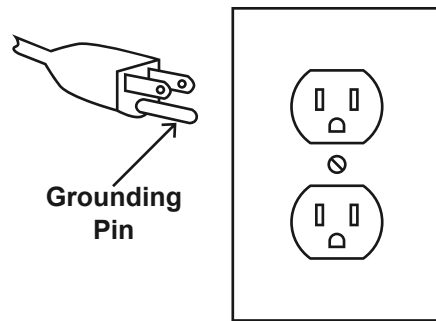
Never remove the grounding prong from the plug. Do not use the compressor if the power cord or plug is damaged. If damaged, have it repaired by a service facility before use. If the plug will not fit the outlet, have a proper outlet installed by a qualified electrician.

110-120 VAC Grounded Compressors: Compressors with Three Prong Plugs

- In the event of a malfunction or breakdown, grounding provides a path of least resistance for electric current to reduce the risk of electric shock.
- Repair or replace damaged or worn cord immediately.

This compressor is equipped with an electric cord having an equipment-grounding conductor and a grounding plug. The plug must be plugged into a matching outlet that is properly installed and grounded in accordance with all local codes and ordinances.

- Do not modify the plug provided – if it will not fit the outlet, have the proper outlet installed by a qualified electrician.
- Improper connection of the equipment-grounding conductor can result in a risk of electric shock. The conductor with insulation having an outer surface that is green with or without yellow stripes is the equipment-grounding conductor. If repair or replacement of the electric cord or plug is necessary, do not connect the equipment-grounding conductor to a live terminal.
- Check with a qualified electrician or service personnel if the grounding instructions are not completely understood, or if in doubt as to whether the compressor is properly grounded.
- Use only 3-wire extension cords that have 3-prong grounding plugs and 3-pole receptacles that accept the compressor's plug.



125 VAC 3-Prong Plug and Outlet (for up to 125 VAC and up to 15 A)

- This compressor is intended for use on a circuit that has an outlet that looks like the one illustrated above in **125 VAC 3-Prong Plug and Outlet**. The compressor has a grounding plug that looks like the plug illustrated above in **125 VAC 3-Prong Plug and Outlet**.
- The outlet must be properly installed and grounded in accordance with all codes and ordinances.
- Do not use an adapter to connect this compressor to a different outlet.

Symbology

PSI	Pounds per square inch of pressure
CFM	Cubic Feet per Minute flow
SCFM	Cubic Feet per Minute flow at standard conditions
NPT	National pipe thread, tapered
NPS	National pipe thread, straight

	Double Insulated
	Canadian Standards Association
	Underwriters Laboratories, Inc.
VAC	Volts Alternating Current
A	Amperes

Specifications

Electrical Rating	120VAC / 60Hz / 1.1A
Motor Speed	1750 RPM
Power Cord	6' Long
Thermal Protection	Thermal automatic shut-off on overload with automatic reset
Maximum Air Pressure	58 PSI
Air Output	.7 CFM @ 40 PSI
Air Outlet Size	1/8"-28 NPS
Included Accessories	Airbrush, Airbrush Holder, 5cc Airbrush Cup, 22cc Glass Jar, 10 ft. Airbrush hose, 7mm wrench

Setup - Before use:



Read the **ENTIRE IMPORTANT SAFETY INFORMATION** section at the beginning of this manual including all text under subheadings therein before set up or use of this product.

WARNING

TO PREVENT SERIOUS INJURY FROM ACCIDENTAL OPERATION: Turn the Power Switch "OFF" and unplug the Air Compressor from its electrical outlet before assembling or making any adjustments to the compressor.

Note: For additional information regarding the parts listed in the following pages, refer to the Assembly Diagram near the end of this manual.

Before operating, make sure the Air Compressor is set up in a well-ventilated area, on a flat, level, solid surface well away from any flammable objects, such as drapes. Never paint in an area without proper ventilation, or near possible ignition sources.

1. Connect one end of the Air Hose to the Air Outlet.
2. Connect the other end of the Air Hose to the Airbrush.
3. Connect the empty Glass Jar to the Airbrush.
4. Insert the Power Cord Plug into the nearest 120 volt, grounded, electrical outlet.
5. Turn on the power switch and inspect the air connections for leaks.
6. Turn off and unplug the Air Compressor then repair any leaks found.

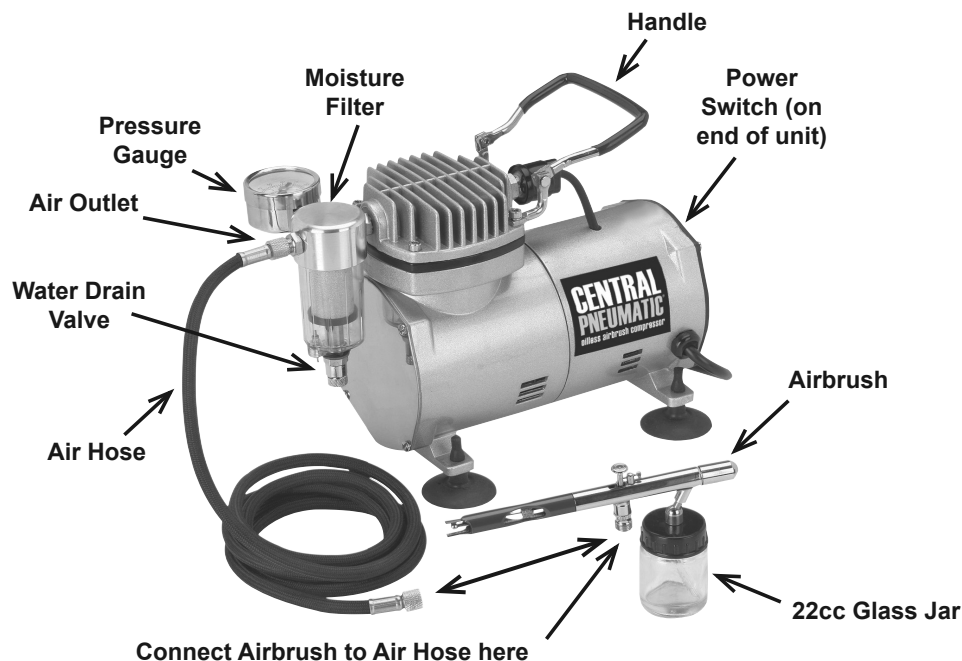


Figure A: Functions

Operating Instructions

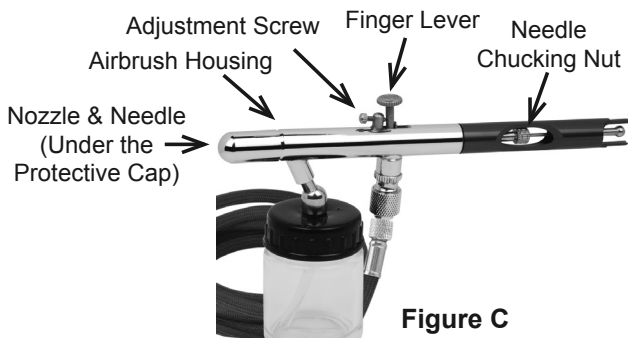


Read the **ENTIRE IMPORTANT SAFETY INFORMATION** section at the beginning of this manual including all text under subheadings therein before set up or use of this product.

Compressor Area Set Up

1. Designate a work area that is clean and well-lit. The work area must not allow access by children or pets to prevent injury.
2. Locate the Compressor on a flat level surface to ensure proper pump lubrication and to prevent damage to the unit. Keep at least 12" of space around the unit to allow air circulation.
3. Route the power cord from the compressor to the grounded wall outlet, along a safe path without creating a tripping hazard or exposing the power cord to possible damage.

General Operation



1. Insert the Compressor Power Cord Plug into the nearest 120 volt, grounded, electrical outlet.
 3. Fill the 22cc Glass Jar after thinning and straining your paint properly.
- NOTE:** Use the proper solvent for thinning. Use lacquer thinner for all lacquers, paint thinner for oil based paints, and water for all latex based paints.
4. Hold the Airbrush Housing lightly in your hand and push the tapered fitting on the lid of the 22cc Glass Jar Assembly into the base of the Airbrush Housing. It is held in place with friction and is not threaded.
 5. Turn on the Power Switch.
 6. Press the Finger Lever to begin air flow. Draw back slowly/gently on the Finger Lever until you achieve the air volume you need for your spray technique.
 7. Continue to adjust the spray volume by using the Finger Lever, moving it front to back. When you have the correct spray volume, you may fix the position using the Adjustment Screw.
 8. The spray pattern size is based on the distance between the work surface and the Airbrush Nozzle. For extra-fine spray, remove the Protective Cap and hold the Airbrush nearer the work surface.

9. When you are finished painting, gently release pressure on Finger Lever (first loosening the Adjustment Screw, if needed).

Note: If fluid blocks the Nozzle while working, move the Needle Chucking Nut back and forth. If this does not clear the Nozzle, try loosening the Adjustment Screw. This will allow a longer movement for the Needle and allow the blocked fluid to escape, clearing the Nozzle.

10. After flushing the Airbrush unit completely with the proper solvent (Lacquer thinner if you used a lacquer paint, water if you used a latex based paint and paint thinner for all oil based enamels), spray any remaining solvent through the Nozzle until clear solvent sprays from the end of the Airbrush tip.

Note: ALL paints used with this Airbrush are fast drying by design and can damage your tool if they are NOT flushed immediately.

Note: The 5cc Metal Cup has two uses. It is used for excess thinned paint, and also for solvent when it is time to clean the Airbrush.

Note: The Metal Hook can be attached to a solid surface and used to hang the Airbrush when it is not being used.

Note: Use this Compressor only with Airbrushes; do not use this compressor with any other type of equipment.

11. When finished using and cleaning the Air Compressor, turn its Power Switch off. Release any remaining air in a safe fashion and disconnect the Air Brush. Briefly depress the Water Drain Valve to empty the unit of water after each use.
12. Store the Air Compressor in a clean, dry, safe location out of reach of children and other unauthorized people.

Maintenance and Servicing



Procedures not specifically explained in this manual must be performed only by a qualified technician.

⚠️ WARNING

TO PREVENT SERIOUS INJURY FROM ACCIDENTAL OPERATION:

Turn the Power Switch “OFF” and unplug the Compressor from its electrical outlet before performing any inspection, maintenance, or cleaning procedures.

TO PREVENT SERIOUS INJURY FROM COMPRESSOR FAILURE:

Do not use damaged equipment.


If abnormal noise or vibration occurs, have the problem corrected before further use.

Cleaning, Maintenance, and Lubrication

1. **BEFORE EACH USE**, inspect the general condition of the Air Compressor. Check for loose hardware, misalignment or binding of moving parts, damaged belts, cracked or broken parts, damaged electrical wiring, and any other condition that may affect its safe operation.
2. **AFTER USE**, push the Water Drain Valve under the Filter Cup to drain out the moisture. Also, wipe external surfaces of the compressor with a clean cloth.
3. Store the Air Compressor in a clean, dry, safe location out of reach of children and other unauthorized people.
4. **AFTER EVERY 500 HOURS OF REGULAR USE**, replace Compression Ring and Inlet and Outlet Valves. **Please note:** This work should only be done by a qualified service technician.
5. **⚠️ WARNING!** If the supply cord of this compressor is damaged, it must be replaced only by a qualified service technician.

Troubleshooting

Problem	Possible Causes	Likely Solutions
The motor does not work.	<ol style="list-style-type: none"> 1. No electrical power. 2. Damaged power cord. 3. Electrical wiring within the unit is defective. 4. Power switch is defective. 	<ol style="list-style-type: none"> 1. Plug the power cord into a working, 120VAC, grounded, electrical outlet. 2. Have a qualified service technician replace the power cord. 3. Have a qualified service technician replace electric wiring. 4. Have a qualified service technician replace power switch.
The motor runs, but it makes irregular noises or a knocking noise.	<ol style="list-style-type: none"> 1. Bearing is loose or damaged. 2. Screws in the connection rod are loose. 	<ol style="list-style-type: none"> 1. Have a qualified service technician replace the bearing. 2. Tighten the screws, or replace them if necessary.
Not enough pressure when painting or spraying.	<ol style="list-style-type: none"> 1. Loose air connection(s). 2. Air hose is damaged. 3. Screws on cylinder cover are loose. 	<ol style="list-style-type: none"> 1. Check all air connections, and tighten them if necessary. 2. Replace air hose. 3. Tighten screws.
Poor spray pattern.	<ol style="list-style-type: none"> 1. Loose air connections(s). 2. The paint is too thick. 3. The Airbrush nozzle is plugged or dirty. 	<ol style="list-style-type: none"> 1. Check all air connections, and tighten them if necessary. 2. Add paint thinner and mix thoroughly. 3. Clean or change the nozzle.
Motor runs properly, but no air pressure or lack of air delivery.	<ol style="list-style-type: none"> 1. Valve plate is loose or out of place. 2. Retainer ring is damaged after excessive use at high pressure. 	<ol style="list-style-type: none"> 1. Open the front cover and make sure the valve plate is in the proper position. Tighten the screws if necessary. 2. Have a qualified service technician replace the retainer ring.



Follow all safety precautions whenever diagnosing or servicing the compressor. Disconnect power supply before service.

PLEASE READ THE FOLLOWING CAREFULLY

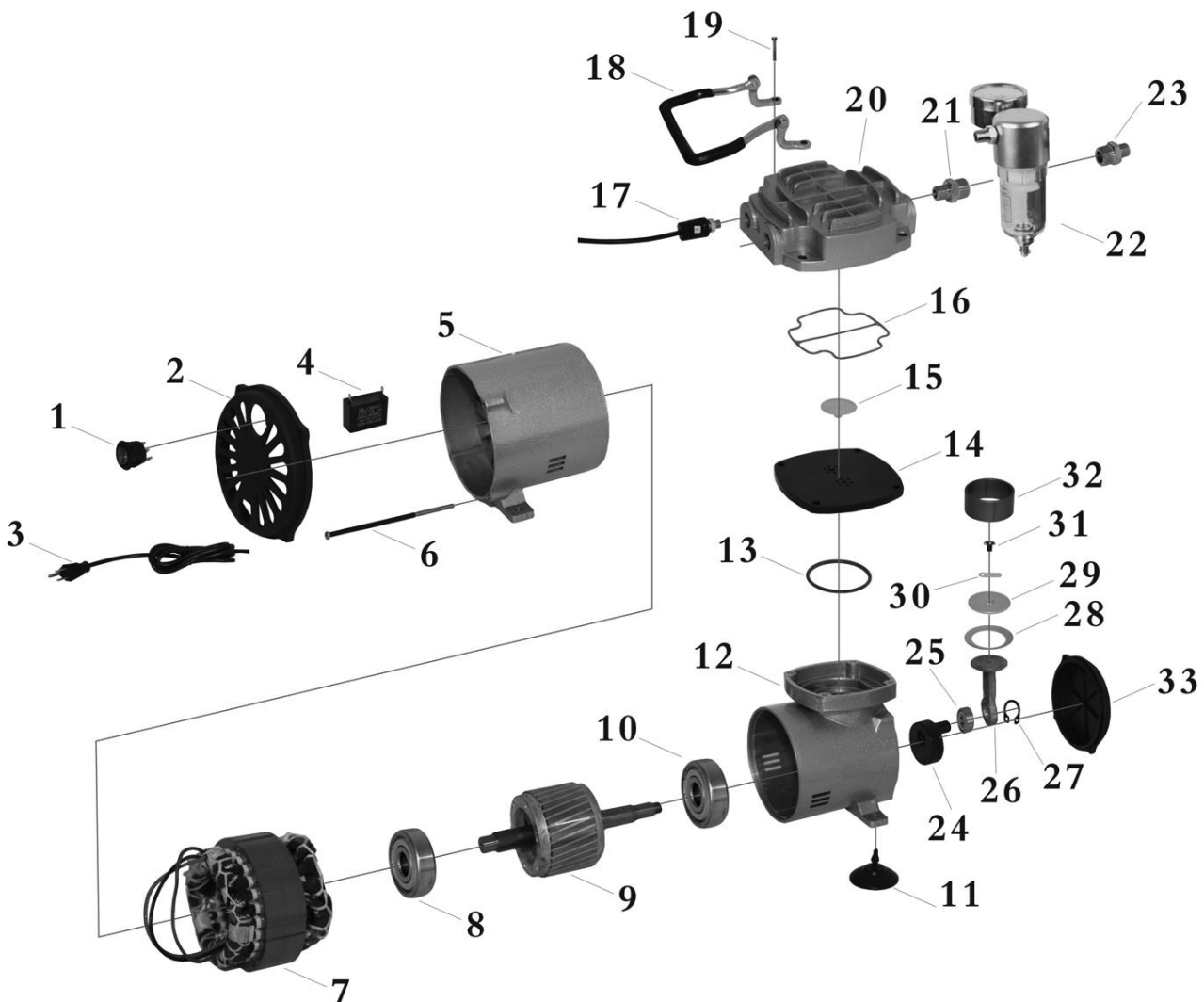
THE MANUFACTURER AND/OR DISTRIBUTOR HAS PROVIDED THE PARTS LIST AND ASSEMBLY DIAGRAM IN THIS MANUAL AS A REFERENCE TOOL ONLY. NEITHER THE MANUFACTURER OR DISTRIBUTOR MAKES ANY REPRESENTATION OR WARRANTY OF ANY KIND TO THE BUYER THAT HE OR SHE IS QUALIFIED TO MAKE ANY REPAIRS TO THE PRODUCT, OR THAT HE OR SHE IS QUALIFIED TO REPLACE ANY PARTS OF THE PRODUCT. IN FACT, THE MANUFACTURER AND/OR DISTRIBUTOR EXPRESSLY STATES THAT ALL REPAIRS AND PARTS REPLACEMENTS SHOULD BE UNDERTAKEN BY CERTIFIED AND LICENSED TECHNICIANS, AND NOT BY THE BUYER. THE BUYER ASSUMES ALL RISK AND LIABILITY ARISING OUT OF HIS OR HER REPAIRS TO THE ORIGINAL PRODUCT OR REPLACEMENT PARTS THERETO, OR ARISING OUT OF HIS OR HER INSTALLATION OF REPLACEMENT PARTS THERETO.

Parts List and Diagram

Compressor Parts List and Assembly Diagram

Part	Description	Qty
1	Power Switch	1
2	Front Cover	1
3	Power Cord	1
4	Capacitor	1
5	Rear Housing	1
6	Screw	4
7	Stator	1
8	Bearing	1
9	Rotor	11
10	Bearing	1
11	Foot	1
12	Front Housing	1
13	O-Ring	1
14	Cylinder Block	1
15	O-Ring	1
16	O-Ring	1
17	Pressure Switch	1

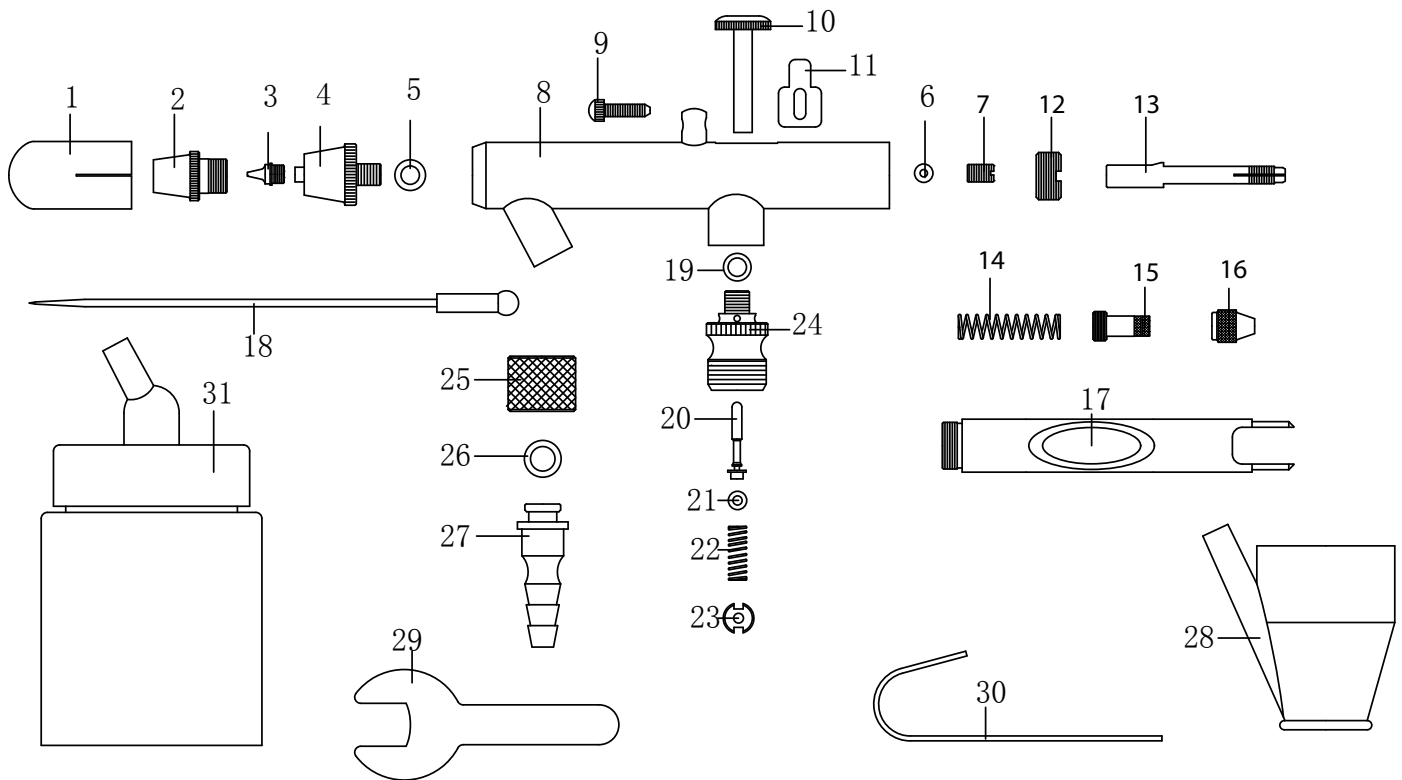
Part	Description	Qty
18	Handle	1
19	Screw	4
20	Cylinder Head	1
21	Connector	1
22	Moisture Filter and Pressure Gauge	1
23	Connector	1
24	Counterweight	1
25	Bearing	1
26	Connecting Rod	1
27	Snap Ring	1
28	Compression Ring	1
29	Piston	1
30	Valve Plate	1
31	Screw	1
32	Sleeve	1
33	Back Cover	1



Airbrush Parts List and Assembly Diagram

Part	Description
1A	Protective Cap
2A	Air Cap
3A	Nozzle
4A	Air Cap Body
5A	O-Ring
6A	Packing
7A	Packing Nut </td
8A	Housing
9A	Adjustment Screw
10A	Finger Lever
11A	Rocker
12A	Stopper
13A	Needle Chucking Guide
14A	Spring
15A	Spring Case
16A	Needle Chucking Nut

Part	Description
17A	Handle
18A	Needle
19A	O-Ring
20A	Valve Rod
21A	O-Ring
22A	Spring
23A	Valve Screw
24A	Valve Body
25A	Hose Connector Nut
26A	O-Ring
27A	Hose Connector
28A	Cup 5cc
29A	Wrench 7mm
30A	Hanger
31A	Glass Jar Assembly 22cc
32A	Air Hose (not shown)



Note: When ordering parts from this assembly diagram, include the suffix "A" after the number.

Record Product's Serial Number Here: _____

Note: If product has no serial number, record month and year of purchase instead.

Note: Some parts are listed and shown for illustration purposes only, and are not available individually as replacement parts.

Limited 90 Day Warranty

Harbor Freight Tools Co. makes every effort to assure that its products meet high quality and durability standards, and warrants to the original purchaser that this product is free from defects in materials and workmanship for the period of 90 days from the date of purchase. This warranty does not apply to damage due directly or indirectly, to misuse, abuse, negligence or accidents, repairs or alterations outside our facilities, criminal activity, improper installation, normal wear and tear, or to lack of maintenance. We shall in no event be liable for death, injuries to persons or property, or for incidental, contingent, special or consequential damages arising from the use of our product. Some states do not allow the exclusion or limitation of incidental or consequential damages, so the above limitation of exclusion may not apply to you. THIS WARRANTY IS EXPRESSLY IN LIEU OF ALL OTHER WARRANTIES, EXPRESS OR IMPLIED, INCLUDING THE WARRANTIES OF MERCHANTABILITY AND FITNESS.

To take advantage of this warranty, the product or part must be returned to us with transportation charges prepaid. Proof of purchase date and an explanation of the complaint must accompany the merchandise. If our inspection verifies the defect, we will either repair or replace the product at our election or we may elect to refund the purchase price if we cannot readily and quickly provide you with a replacement. We will return repaired products at our expense, but if we determine there is no defect, or that the defect resulted from causes not within the scope of our warranty, then you must bear the cost of returning the product.

This warranty gives you specific legal rights and you may also have other rights which vary from state to state.

CENTRALPNEUMATIC®

3491 Mission Oaks Blvd. • PO Box 6009 • Camarillo, CA 93011 • 1-888-866-5797