

Owner's Manual & Safety Instructions

Save This Manual Keep this manual for the safety warnings and precautions, assembly, operating, inspection, maintenance and cleaning procedures. Write the product's serial number in the back of the manual near the assembly diagram (or month and year of purchase if product has no number). Keep this manual and the receipt in a safe and dry place for future reference.

CENTTECH®

ITEM 69955

12V AUTOMATIC BATTERY FLOAT CHARGER



Visit our website at: <http://www.harborfreight.com>
Email our technical support at: productsupport@harborfreight.com

BC

REV 14I

When unpacking, make sure that the product is intact and undamaged. If any parts are missing or broken, please call 1-888-866-5797 as soon as possible.

Copyright© 2012 by Harbor Freight Tools®. All rights reserved.
No portion of this manual or any artwork contained herein may be reproduced in any shape or form without the express written consent of Harbor Freight Tools. Diagrams within this manual may not be drawn proportionally. Due to continuing improvements, actual product may differ slightly from the product described herein.
Tools required for assembly and service may not be included.

⚠ WARNING

**Read this material before using this product.
Failure to do so can result in serious injury.
SAVE THIS MANUAL.**

Intended Applications

For use on fully charged lead-acid and AGM (Absorbed Glass Mat) type batteries only.

NOTICE

TO PREVENT BATTERY DAMAGE:

Do not use on GEL batteries.

Note: Check battery voltage with a multimeter before use.

The Battery **MUST** be fully charged to at least 12 Volts.

The Float Charger prevents self-discharge of the battery, while maintaining and extending the life of rechargeable 12 volt lead-acid batteries. It maintains a battery charge for batteries rated from 5 – 125 Ah (amp-hours), by providing a 13.2 VDC maximum output. Other types of chargers provide a strong, rapid charge but tend to boil out liquids and decay electrodes.

Safety Warnings and Precautions



⚠ WARNING

Read all safety warnings and instructions. Failure to follow the warnings and instructions may result in **EXPLOSION**, electric shock, fire and/or serious injury.
Save all warnings and instructions for future reference.

1. Use on fully charged 12 volt lead-acid and AGM batteries only.
2. Do not use if battery voltage is less than 12 volts.
3. Do not make connections to battery near open flame, sparks, or when smoking.
4. Connect to battery before plugging charger into electrical outlet.
5. Connect cable clips to proper terminals on battery: black clip to negative (-), red clip to positive (+).
6. Do not touch clips together while charger is plugged in.
7. Do not place charger or electrical connections on ground or floor.
8. Do not turn on equipment that battery is connected to while charging.
9. Remove charger AC Adapter from electrical outlet, and disconnect the battery clamps when finished.
10. Do not pull power cord to remove AC Adapter from electrical outlet.
11. Make sure battery is vented. Remove battery cell caps before charging. If battery is maintenance-free and non-fillable, it has vent slots - keep vents clear and dirt free.
12. Use this product in accordance with the battery's and vehicle's manual recommendations, safety warnings and charging instructions.
13. Do not charge battery in an enclosed area.
14. Do not leave charger or battery unchecked for extended periods of time to reduce risk.
15. Plug into a surge protected outlet. Surges or variations in electrical power supply could cause battery damage or explosion.
16. **Batteries can explode under certain conditions; excessive heat and/or poor ventilation can cause battery explosion. Do not cover or otherwise obstruct air circulation around the AC adapter when in use.**
17. People with pacemakers should consult their physician(s) before use. Electromagnetic fields in close proximity to heart pacemaker could cause pacemaker interference or pacemaker failure.
18. **WARNING:** This product contains or, when used, produces a chemical known to the State of California to cause cancer and birth defects or other reproductive harm. (California Health & Safety Code § 25249.5, *et seq.*)
19. **WARNING:** The cord of this product contains lead and/or di (2-ethylhexyl) phthalate (DEHP), chemicals known to the State of California to cause cancer, and birth defects or other reproductive harm. Wash hands after handling. (California Health & Safety Code § 25249.5, *et seq.*)



SAVE THESE INSTRUCTIONS.

Specifications

Input	120VAC, 60Hz, 14W
Rated Output	12 VDC
Maximum Output	13.2 VDC
Battery Capacity	5 – 125 Ah
Cable Length	53"

Operation

Note: This Float Charger is intended only to keep a fully charged battery from losing its charge. It will not work to charge a battery that is discharged or damaged.

Connection

1. Place Float Charger within 3 feet of battery. Unplug the AC Adapter.
2. Connect Red clip to positive (+) terminal of battery.
3. Connect Black clip to negative (–) terminal of battery.
4. The LED will not stay lit if not hooked up with the correct polarity to the battery. Correct the connections before plugging the battery charger in.
5. Plug AC Adapter into electrical outlet.
6. Use the included 2 rubber washers and 2 cross head screws to mount the Housing (F). Do not overtighten.

After Use

1. Unplug the AC Adapter.
2. Remove the Black clip, then the Red clip from the battery.
3. Wipe the Charger with a clean, dry cloth and store out of reach of children.

90 Day Warranty

Harbor Freight Tools Co. makes every effort to assure that its products meet high quality and durability standards, and warrants to the original purchaser that this product is free from defects in materials and workmanship for the period of 90 days from the date of purchase. This warranty does not apply to damage due directly or indirectly, to misuse, abuse, negligence or accidents, repairs or alterations outside our facilities, criminal activity, improper installation, normal wear and tear, or to lack of maintenance. We shall in no event be liable for death, injuries to persons or property, or for incidental, contingent, special or consequential damages arising from the use of our product. Some states do not allow the exclusion or limitation of incidental or consequential damages, so the above limitation of exclusion may not apply to you. THIS WARRANTY IS EXPRESSLY IN LIEU OF ALL OTHER WARRANTIES, EXPRESS OR IMPLIED, INCLUDING THE WARRANTIES OF MERCHANTABILITY AND FITNESS.

To take advantage of this warranty, the product or part must be returned to us with transportation charges prepaid. Proof of purchase date and an explanation of the complaint must accompany the merchandise. If our inspection verifies the defect, we will either repair or replace the product at our election or we may elect to refund the purchase price if we cannot readily and quickly provide you with a replacement. We will return repaired products at our expense, but if we determine there is no defect, or that the defect resulted from causes not within the scope of our warranty, then you must bear the cost of returning the product.

This warranty gives you specific legal rights and you may also have other rights which vary from state to state.

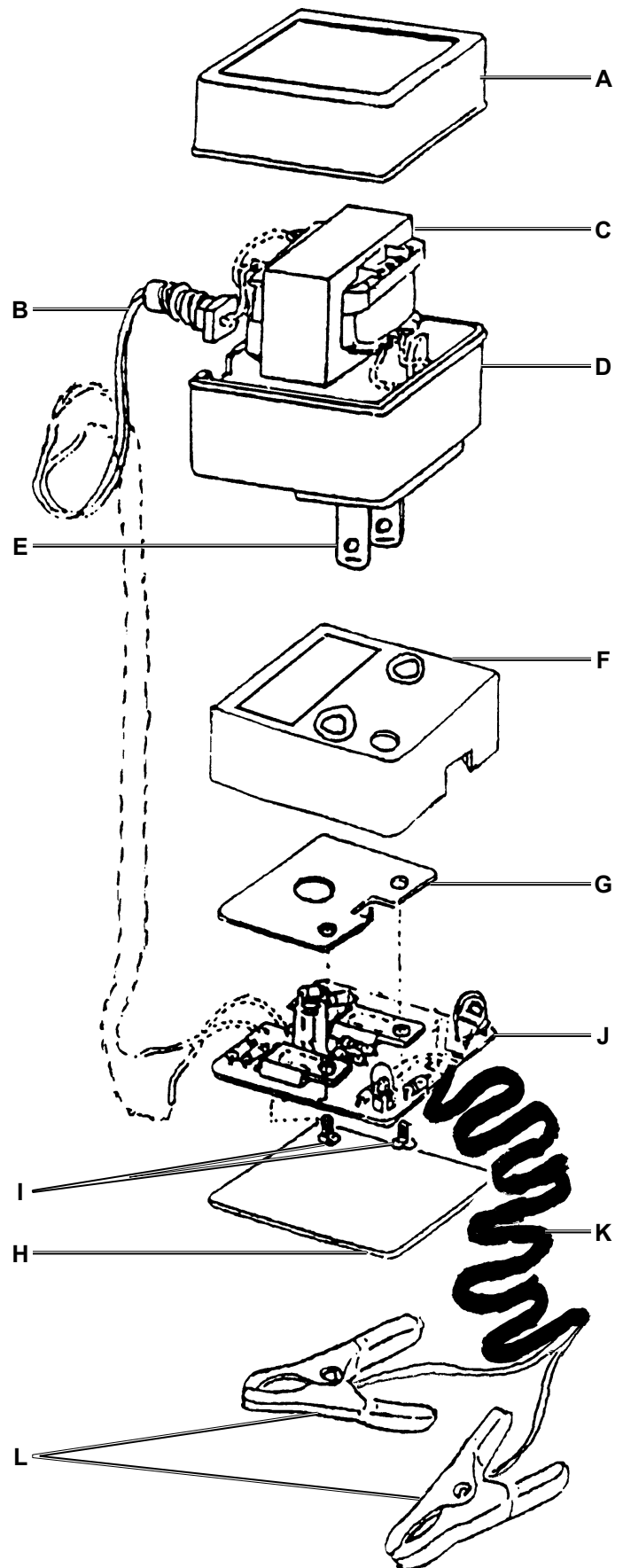
Parts List and Diagram

Part	Description	Qty
A	Lid	1
B	Power Cord	1
C	Transformer	1
D	Body	1
E	Pin	2
F	Housing	1
G	Radiator	1
H	Cover	1
I	Pan Screw	2
J	Circuit Board	1
K	Battery Cables	1
L	Battery Clips	2

PLEASE READ THE FOLLOWING CAREFULLY

THE MANUFACTURER AND/OR DISTRIBUTOR HAS PROVIDED THE PARTS LIST AND ASSEMBLY DIAGRAM IN THIS MANUAL AS A REFERENCE TOOL ONLY. NEITHER THE MANUFACTURER OR DISTRIBUTOR MAKES ANY REPRESENTATION OR WARRANTY OF ANY KIND TO THE BUYER THAT HE OR SHE IS QUALIFIED TO MAKE ANY REPAIRS TO THE PRODUCT, OR THAT HE OR SHE IS QUALIFIED TO REPLACE ANY PARTS OF THE PRODUCT. IN FACT, THE MANUFACTURER AND/OR DISTRIBUTOR EXPRESSLY STATES THAT ALL REPAIRS AND PARTS REPLACEMENTS SHOULD BE UNDERTAKEN BY CERTIFIED AND LICENSED TECHNICIANS, AND NOT BY THE BUYER. THE BUYER ASSUMES ALL RISK AND LIABILITY ARISING OUT OF HIS OR HER REPAIRS TO THE ORIGINAL PRODUCT OR REPLACEMENT PARTS THERETO, OR ARISING OUT OF HIS OR HER INSTALLATION OF REPLACEMENT PARTS THERETO.

Note: Some parts are listed and shown for illustration purposes only and are not available individually as replacement parts.



CEN-TECH®

3491 Mission Oaks Blvd. • PO Box 6009 Camarillo, CA 93011 • 1-888-866-5797