

## M1M\* Hot Surface Ignition

### M1B\* Gas Gun

The M1 Series furnace is designed for all sizes of manufactured and modular homes. These units incorporate high efficiency, reliability, and low maintenance. Units may be installed free standing in a utility room or enclosed in an alcove or closet. M1 Series furnaces are available in A/C adaptable or A/C ready, with or without coil cavity box, multiple blower combinations for cooling requirements, and many burner options.

- Sealed Combustion System: Vents exhaust gas directly outdoors and draws in 100% outside air for the burner.
- High Efficiency Drum Heat Exchanger: Delivers optimum heat transfer with low air resistance.
- Easy Open Pawl Latch: Secures the door firmly for transit, yet allows easy removal for access.
- Appliance Quality Door: Protects against rust and other corrosion. Baked enamel finish allows for easy cleaning.
- Choice of Air Conditioning Options: From 2 to 5 tons A/C ready.
- Fully Insulated Cabinet: Insures minimized heat loss and quiet operation.
- Large, Effective Air Filter: Room air is cleaner with this permanent washable filter.
- Reliable Burner: With uniform flame pattern extends life of heat exchanger.



## Furnace, Forced Draft Gas

56,000 to 90,000 Btu/h, Heating, A/C Relay (no coil cabinet)

Stock #	Mfg. #	Model #	Burner Type	Output Btu/h	AFUE	Wght.	W x D x H
<b>0233015</b>	903230	M1MB-077AAW	Hot Sur. Ign.	62,000	80.0	149	19-3/4" x 23-3/4" x 56"
<b>0233016</b>	903231	M1MB-090AAW	Hot Sur. Ign.	72,000	80.0	151	19-3/4" x 23-3/4" x 56"

56,000 to 90,000 Btu/h With Coil Cabinet & A/C Ready up to 3 Tons

Stock #	Mfg. #	Model #	Burner Type	Output Btu/h	AFUE	Wght.	W x D x H
<b>0233005</b>	903236	M1MB-056ABW	Hot Sur. Ign.	46,000	80+	167	19-3/4" x 23-3/4" x 76"
<b>0233006</b>	903237	M1MB-070ABW	Hot Sur. Ign.	57,000	80+	168	19-3/4" x 23-3/4" x 76"
<b>0233007</b>	903238	M1MB-077ABW	Hot Sur. Ign.	62,000	80+	171	19-3/4" x 23-3/4" x 76"
<b>0233008</b>	903239	M1MB-090ABW	Hot Sur. Ign.	72,000	80+	166	19-3/4" x 23-3/4" x 76"

56,000 to 90,000 Btu/h, A/C Ready up to 3 Tons (no coil cabinet)

Stock #	Mfg. #	Model #	Burner Type	Output Btu/h	AFUE	Wght.	W x D x H
<b>0233013</b>	903228	M1MB-056AAW	Hot Sur. Ign.	46,000	80+	152	19-3/4" x 23-3/4" x 56"
<b>0233014</b>	903229	M1MB-070AAW	Hot Sur. Ign.	57,000	80+	153	19-3/4" x 23-3/4" x 56"

56,000 to 90,000 Btu/h With Coil Cabinet & A/C Ready up to 4 Tons

Stock #	Mfg. #	Model #	Burner Type	Output Btu/h	AFUE	Wght.	W x D x H
<b>0232985</b>	903240	M1MC-056ABW	Hot Sur. Ign.	46,000	80	171	19-3/4" x 23-3/4" x 76"
<b>0232986</b>	903241	M1MC-070ABW	Hot Sur. Ign.	57,000	80	172	19-3/4" x 23-3/4" x 76"
<b>0232987</b>	903240	M1MC-077ABW	Hot Sur. Ign.	62,000	80	171	19-3/4" x 23-3/4" x 76"
<b>0232988</b>	903243	M1MC-090ABW	Hot Sur. Ign.	72,000	80	171	19-3/4" x 23-3/4" x 76"

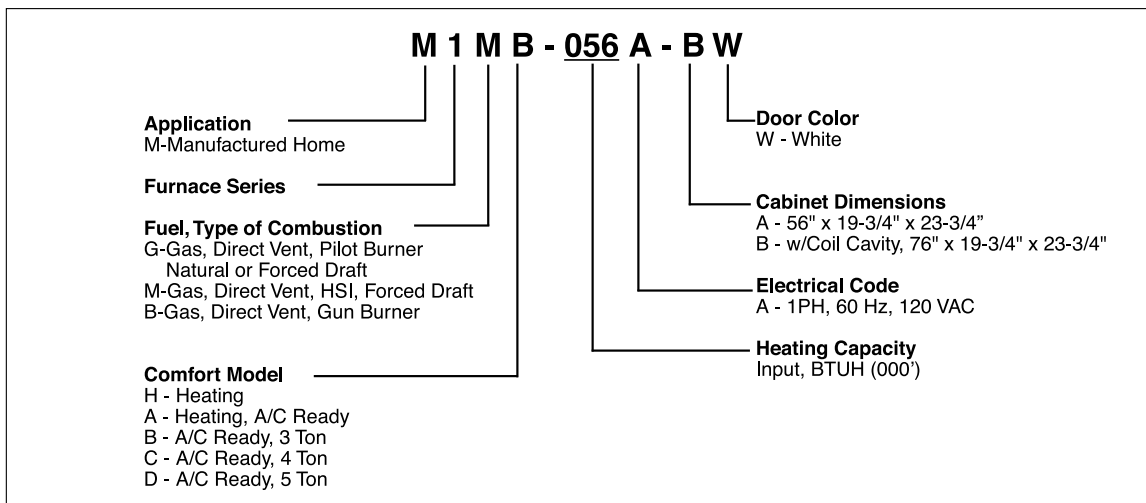
Heating & Cooling  
 Coatings & Caulks  
 Insulation & Accessories  
 Safety & Protection  
 Appliances  
 Venting & Plumbing  
 Diagnostic Tools  
 Siding  
 Putty/Foam Tapes  
 Windows & Doors  
 Index

## Furnace Direct Vent, Gas Gun 66,000 & 86,000 Btu/h, Heating, A/C Relay

Stock #	Mfg. #	Model #	Burner Type	Btu/h	AFUE	Wght.	W x D x H
0233018	903270	M1BA-066AAW	Pressure w/ Elect. Ignition	56,000	82.2	149	19-3/4" x 24" x 56"
0233019	903255	M1BB-086AAW*	Pressure w/ Elect. Ignition	71,000	81.0	150	19-3/4" x 24" x 56"

\* A/C ready up to three tons

### MODEL IDENTIFICATION



## Roof Jack Components - "Integrated" & Telescoping

Stock #	Mfg. #	Model #	Type	Flashing Dimensions	Flue Pipe Dia.	Pitch	For Use With:
0237948	903658	FAW1523-0A	Flat	15" min. - 23" max.	5"		All Miller/ Intertherm M1 Series Furnaces
0237949	903659	FAW2135-0A	Flat	21" min. - 35" max.	5"		
0237951	903660	FAW2747-0A	Flat	27" min. - 47" max.	5"		
0230077	903662	SAW2135-2A	Slope	21" min. - 35" max.	5"	2.5/12	
0237956	903663	SAW2747-2A	Slope	27" min. - 47" max.	5"	2.5/12	
0237954	903664	SAW3563-4A	Slope	35" min. - 63" max.	5"	2.5/12	
0237955	903666A	SAW5195-4A	Slope	51" min. - 95" max.	5"	4.0/12	
0237958	902521			Ceiling Ring			

## High Efficiency/Direct Vent Condensing Downflow Gas Furnace M3RL

Induced Draft — 90+ AFUE Input  
60,000 & 80,000 Btuh (4 Ton A/C Ready)

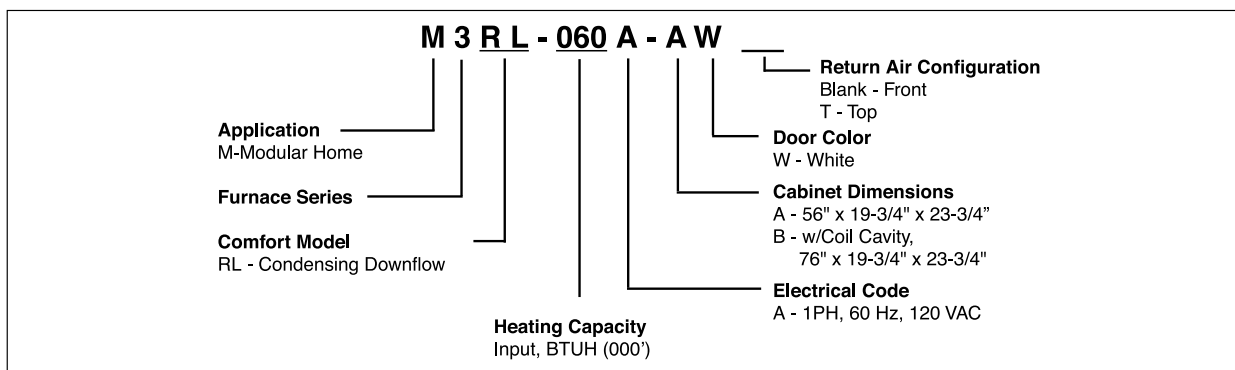
- 100% fired and tested — all units and each component (both mechanical and electrical) are tested on the manufacturing line
- Clean and quiet operation — due to the unique design of in-shot burners, location of inducer and use of insulation
- Fixed 30-second blower delay at burner start-up assures a warm outlet air temperature at furnace start-up. Adjustable blower off settings
- Fixed 30-second post purge increases life of heat exchanger
- Dependable hot surface ignitor — Innovative application of an appliance-type ignitor with a 20-year history of reliability, assures no call-backs because of handling.
- Tubular primary heat exchanger — Heavy aluminized steel heat exchanger assures a long life.
- Stainless steel secondary heat exchanger assures a long life.
- 90-second fixed cooling cycle blower-off delay (TDR) increases cooling performance when matched with a NORDYNE coil
- Sealed combustion approved for direct vent furnace, category IV venting system — May be vertically or horizontally vented using a two-pipe system for maximum flexibility in installation.
- Multi-speed direct drive blower — Gives a wide range of cooling capacities. 40VA transformer included.
- LP convertible — Simple burner orifice and gas valve regulator change for ease of convertibility.
- Diagnostic light flashes identify limit failure, pressure switch failure and improper ground and polarization — easy trouble-shooting.
- 3 amp fuse protection against high and low voltage shorts; protects transformer and control board.
- Low voltage terminal board for easy field wiring.



Stock #	Mfg. #	Model #	Shipping Weight
<b>0233036</b>	903954	M3RL-060A-AW (Short)	150
<b>0233037</b>	903955	M3RL-080A-AW (Short)	155
<b>0233038</b>	903956	M3RL-060A-BW (Tall)	170
<b>0233039</b>	903957	M3RL-080A-BW (Tall)	175

The M3RL will fit in the same footprint and uses the same plenum as the M1 furnaces. The design of the M3RL allows for direct substitution in place of the M1 series furnaces.

### IDENTIFICATION CODE



## High Efficiency/Direct Vent or Non Direct Vent Condensing Upflow/Horizontal and Downflow Gas Furnace M4R (C and L Series)

Induced Draft — 92.1 AFUE Input 54,000 - 108,000 Btuh  
60,000 & 80,000 Btuh

- 100% fired and tested — all units and each component (both mechanical and electrical) are tested on the manufacturing line
- Best packaging in the industry — Unique corner post design assures product will arrive to the homeowner dent free.
- 30 second blower delay at start-up assures a warm duct temperature at furnace start-up. Adjustable blower off settings (60, 90, 120 and 180 seconds).
- 30 second post purge increases life of heat exchanger.
- Hot surface igniter — Innovative application of an appliance type igniter with a 20 year history of reliability. Utilizes proven Smartlite® technology.
- Color coded wire harness — Designed to fit the components, all with quick-connect fittings for ease of service and replacement.
- Flexible category IV venting system — May be vertically or horizontally vented using either a one-pipe or two-pipe system for maximum flexibility in installation.
- High Static Blowers — All models equipped with high static blowers.
- Low Boy Height — Easy to apply in low ceiling applications, works well with taller high SEER coils, easier to handle and install.
- Tubular primary heat exchanger — Heavy gauge aluminized steel heat exchanger and stainless steel secondary heat exchanger assures a long life.
- 90 second fixed cooling cycle blower-off delay (TDR) increases cooling performance when matched with a NORDYNE coil.
- High efficiency blower kits maximize efficiencies. On select units, a SEER improvement of up to 1 point is realized.
- Multi-speed direct drive blower — Designed to give a wide range of cooling capacities. Switches on PCB, provide ultra easy motor speed selection.
- LP convertible — Simple burner orifice and regulator spring change for ease of convertibility.
- Diagnostic lights for easy troubleshooting without counting flashes — Dedicated light for flame signal strength and 2 lights in combination to indicate all other fault codes with easy to recognize states without counting flashes.
- Incorporates integrated control board with connections for electronic air cleaner and humidifier.
- Two piece door design enhances furnace appearance and uses captured screws to prevent losing door screws.
- Seated vestibule reduces burner and inducer sound levels.



Stock #	Mfg. #	Model #	Shipping Weight
---------	--------	---------	-----------------

### 90% + Upflow Furnaces

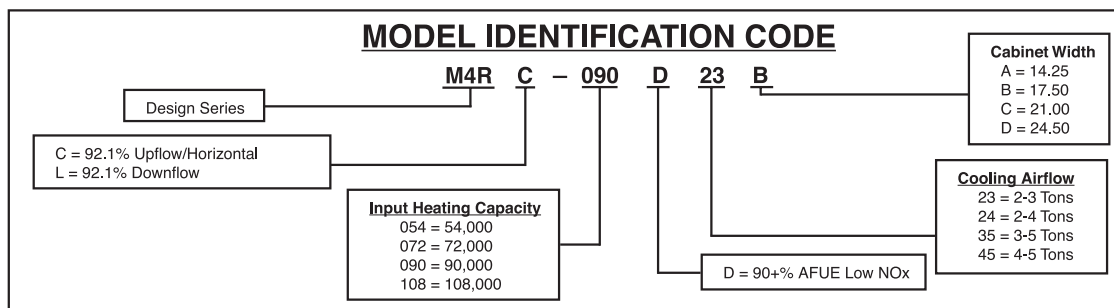
<b>0233141</b>	904747	M4RC 054D-24B	120lbs
<b>0233142</b>	904748	M4RC 072D-35C	130lbs
<b>0233143</b>	904749	M4RC 090D-35C	135lbs
<b>0233144</b>	904750	M4RC 108D-45D	155lbs

### 90% + Downflow Furnaces

<b>0233145</b>	904751	M4RL 090D-35C	135lbs
----------------	--------	---------------	--------

### C6 Cased Coil Wrappers

<b>0233146</b>	904759	Wrapper, Cased Coil, C6 B	
<b>0233147</b>	904761	Wrapper, Cased Coil, C6 C	
<b>0233148</b>	904763	Wrapper, Cased Coil, C6 D	



## M5S\* Oil Gun

### 83% Efficient

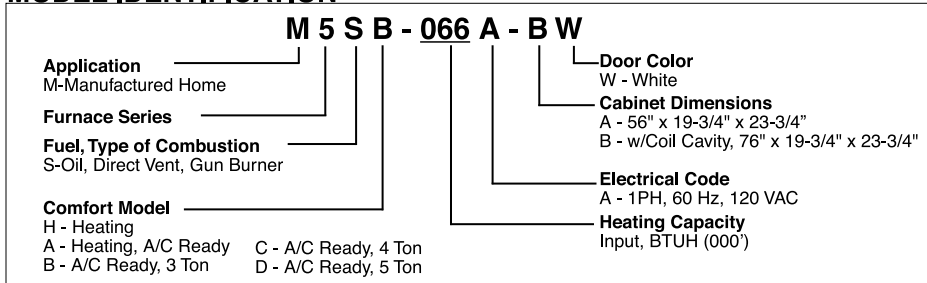
The M5 Series furnace is designed for all sizes of manufactured and modular homes. These units incorporate high efficiency, reliability, and low maintenance. Units may be installed free standing in a utility room or enclosed in an alcove

or closet. M5 Series furnaces are available in A/C adaptable or A/C ready, with or without coil cavity box, multiple blower combinations for cooling requirements, and many burner options.



- Sealed Combustion System: Vents exhaust gas directly outdoors and draws in 100% outside air for the burner.
- Easy Open Pawl Latch: Secures the door firmly for transit, yet allows easy removal for access.
- High Efficiency Drum Heat Exchanger: Delivers optimum heat transfer with low air resistance.
- Fully Insulated Cabinet: Insures minimized heat loss and quiet operation.
- Reliable Burner: With uniform flame pattern extends life of heat exchanger.

### MODEL IDENTIFICATION



Stock #	Mfg. #	Output MBtu/h	Model #	Ship Wt. A Cabinet	Ship Wt. B Cabinet
<b>0233024</b>	921212	56	M5SB-066-AAW	151	165
<b>0233025</b>	921209	73	M5SB-086-AAW	158	173
<b>0233026</b>	921211	56	M5SB-066-ABW	151	165
<b>0233027</b>	921208	73	M5SB-086-ABW	158	173

### M Series Accessories

Stock #	Mfg. #	Description
<b>0103200</b>	903773	Gas Blower, 2-3 Ton
<b>0103201</b>	903413	Gas Blower, 2-4 Ton
<b>0103202</b>	903890	Gas Blower, 2-5 Ton
<b>0103205</b>	903092A	2-Wire Relay Kit
<b>0103206</b>	902898A	4-7 Wire Relay Kit
<b>0237941</b>	911969A	Coil Cabinet White 24"D x 19-3/4"W x 20"H
<b>0238128</b>	901996A	Auto Damper F/MGHA & M1 Series
<b>0238124</b>	901987A	Duct Connector .88"
<b>0238125</b>	901990A	Duct Connector 6.25"
<b>0238126</b>	901988A	Duct Connector 2"
<b>0237960</b>	903656	Roof Cap

Stock #	Mfg. #	Description
<b>0237966</b>	901935	5" Interior Ext. 10" LG
<b>0237968</b>	901937	5" Exterior Ext. 16" LG
<b>0238362</b>	903894	3.5" x 12" Slant Deck Kit
<b>0238350</b>	903893	2.5" x 12" Slant Deck Kit
<b>0230140</b>	901986	Base Adpt. for MAC
<b>0238127</b>	901989A	Duct Connector 4.25"
<b>0237963</b>	904106	Furn. Vent Transition Kit
<b>0231137</b>	903578	Concentric Flue Kit
<b>0231130</b>	904177	2" Concentric Vent Kit for M4
<b>0231131</b>	904176	3" Concentric Vent Kit for M4
<b>0231132</b>	904914	USLP Conversion Kit for M4
<b>0231134</b>	903578	Concentric Vent Term. Kit f/M4

## Convertible Furnace Power Oil-Gas 65,000, 80,000 & 100,000 Btu/h

CMF Series is a classic and time-honored design, a versatile and reliable product incorporating a multi-speed blower and multi-fired burner. Classic

design coupled with new technology make the CMF today's choice for a multi-application fossil fuel heating appliance.

- Three-speed, custom fit and painted blower configuration for efficient, quiet operation at all firing rates
- Titanium kilned process technology used in heat exchanger steel for extended life and durability
- Re-sized auxiliary limit switch for reliable cycling
- Beckett oil burners are standard equipment
- Classic 18" width dimension for those tight replacement jobs
- MA 100, MA 200, and CB 200 bases for versatility



### Heat Only Furnaces - Standard Flue

Vent Size: 4"

Stock#	Mfg. #	Model #	Burner Type	Btu/h Input	Btu/h Output	CFM @ .3	W x D x H	Weight
<b>0238000</b>	904515	CMF2 80PG	Gas Gun	80,000	64,000	800	18" x 24-1/4" x 57"	183
<b>0238001</b>	904516	CMF2 80PO	Oil Gun	80,000	64,000	800	18" x 24-1/4" x 57"	167

### Conversion Kits

Stock #	Mfg. #	Model #	Burner Type	Kit Includes:
<b>0238002</b>	903099	CMF80 to 65 PG	Gas Gun	Labels, orifices and air cone
<b>0238003</b>	903100	CMF80 to 65 PO	Oil Gun	Labels and nozzles
<b>0238004</b>	903101	CMF80 to 100 PG	Gas Gun	Labels and orifices
<b>0238005</b>	903102	CMF80 to 100 PO	Oil Gun	Labels, nozzles and burner head

### CMF Accessories

Stock #	Mfg. #	Description	For Use With:
<b>0238218</b>	901696	CB-200-A Cottage Base	All CMF Furnaces
<b>0238355</b>	903453	MA-200 Base Kit	All CMF Furnaces
<b>0238361</b>	903451	MA-100 Universal Base Kit	All CMF Furnaces
<b>0238221</b>	902095	Auto. Furnace Base Damper	All CMF Furnaces
<b>0238350</b>	903893	RA-S2.5 Roof Jack Adaptor	All CMF Furnaces
<b>0238352</b>	903895	RA-S4.0 Roof Jack Adaptor	All CMF Furnaces
<b>0238353</b>	104060000	SRJ-1 Standard Roof Jack - 12"	All CMF w/12" or less roof cavity
<b>0238354</b>	104060003	SRJ-2 Standard Roof Jack - 24"	All CMF w/13" to 24" roof cavity
<b>0238358</b>	104060015	SRJ-3 Standard Roof Jack - 36"	All CMF w/25" to 36" roof cavity
<b>0238359</b>	104060018	SRJ-4 Standard Roof Jack - 48"	All CMF w/37" to 38" roof cavity
<b>0238360</b>	104060024	SRJ-5 Standard Roof Jack - 60"	All CMF w/49" to 59" roof cavity
<b>0238369</b>	104360001	Roof Jack Extension 4" x 18"	All CMF Furnaces
<b>0238351</b>	103947002	28" Vent Package	All CMF w/7' ceiling height
<b>0238356</b>	103947004	34" Vent Package	All CMF w/7'6" ceiling height
<b>0238357</b>	103947005	40" Vent Package	All CMF w/8' ceiling height
<b>0238367</b>	901697	Offset Flue Pipe - 4" Diameter	All CMF Furnaces
<b>0238173</b>	N/A	Filter-Replacement 1/4"x 16-1/2"x 26-1/2"	CMF and CMH Furnaces
<b>0237801</b>	100-401	Heating Only Thermostat	All Miller Gas & Oil Furnaces
<b>0238129</b>	918082	Heating Only Thermostat	All Furnaces
<b>0238006</b>	903866	Replacement Blower - 3 Speed	All CMF Convertible Series

# UltraFlex E3EB



## E3EB-xxx-H Series

### Downflow, Upflow Electric Furnaces

The E3 Series furnace is designed for all sizes of manufactured and modular homes. These units incorporate reliability and low maintenance. Units may be installed free standing in a utility room or enclosed in an alcove or closet. E3 Series furnaces are available A/C adaptable or A/C ready, with multiple blower combinations for cooling requirements.

- Choice of Air Conditioning options From 2 to 5 tons A/C ready.
- Easy Open Door secures the door firmly for transit, yet allows easy removal for access.
- Effective Air Filter Universal disposable filter is readily available and simple to replace.
- Nichrome Heating Elements provide long lasting, efficient heating.
- Appliance Quality Door protects against rust and other corrosion. Baked enamel finish allows for easy cleaning.
- Fully Insulated Cabinet insures minimized heat loss and quiet operation.
- Safety and Dependability: Auto reset controls protect unit's electrical circuitry and help ensure trouble free performance. Built in circuit breakers for extra safety.
- Adaptable: Unit can be adapted to provide dependable heating in either downflow or upflow mode.
- Versatile: Works with self-contained or split system air conditioners or heat pumps.
- Dimensions: 20" wide, 29" high, 24.5" deep



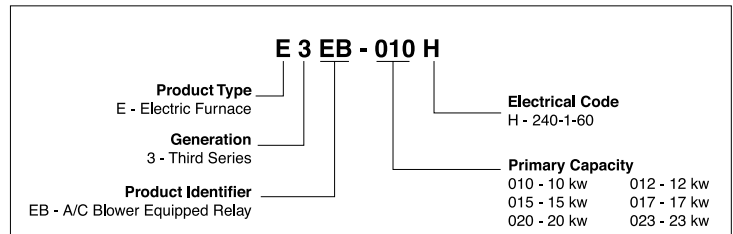
### Top Grill & Frame

White; 20" x 27"  
Mfg.# 902989

0238068

Stock #	Mfg. #	Model #	Output Heat Btuh
0238089	904129	E3EB-010H	35,000
0238090	904154	E2EB-015HBR	35,000
0238091	904130	E3EB-012H	41,000
0238092	904131	E3EB-015H	53,000
0238093	904132	E3EB-017H	57,000
0238094	904133	E3EB-020H	70,000
0238095	904134	E3EB-023H	75,000

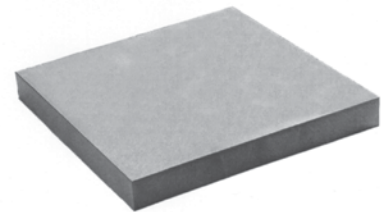
#### MODEL IDENTIFICATION



## E-LITE® by DiversiTech

- ☉ Lightweight, yet rugged
- ☉ Drillable for securing unit
- ☉ Uniform ribbing transfers load evenly
- ☉ Unaffected by UV or weather
- ☉ Subtle texture resists unit slide
- ☉ High recycled

**E-LITE®**  
by **DIVERSITECH**



E Lite® is a plastic pad designed as a mounting base for air conditioning condensers. The rugged design provides uniform and generous ribbing for optimum, self-leveling ground support without inserts. E Lite® is injection molded from

polypropylene, resulting in a pad that is lightweight, but not too light. A subtle texture prevents unit slide and presents a classic appearance, which is enhanced by rounded edges and a concrete gray color. Each pad is molded with its size in raised letters.



<b>0100505</b>	24" x 24" x 2"	<b>0100509</b>	36" x 36" x 2"
<b>0100507</b>	30" x 30" x 2"	<b>0100510</b>	36" x 48" x 2"
<b>0100512</b>	30" x 30" x 3"	<b>0100530</b>	38" x 48" x 3"
		<b>0100531</b>	45" x 58" x 3"