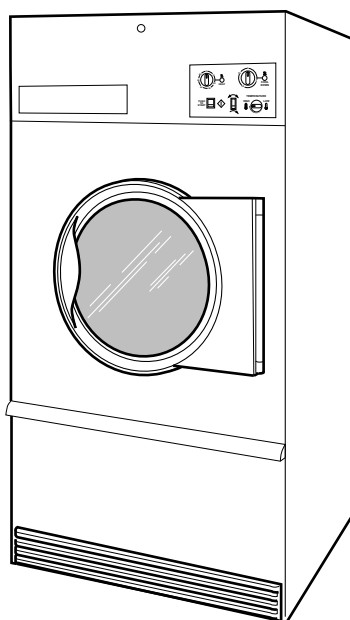


Drying Tumblers

75 Pound Capacity
Through Serial No. 0904002963
Refer to Page 5 for Model Numbers



TMB795C_70409201

Table of Contents

Title	Page
Parts Ordering Information.....	3
Serial Plate Location	3
Model Identification	5
Product Overview - Heat Source and Voltage	6
Product Overview - Control Suffixes (Drawing 1 of 3).....	8
Product Overview - Control Suffixes (Drawing 2 of 3).....	10
Product Overview - Control Suffixes (Drawing 3 of 3).....	12
Control Box	14
Fire Suppression System Control Box	16
Electromechanical Coin Drop	18
Coin Meter	20
Single Drop Controls.....	22
Manual Dual Timer Controls (Drawing 1 of 2).....	24
Manual Dual Timer Controls (Drawing 2 of 2).....	26
Dual Digital Timer Controls	28
DMP Control	30
DX4 Electronic Control.....	32
OPL Microprocessor Controls.....	34
Coin Drop Components for MDC Models.....	36
Central Pay and Card Reader MDC Models.....	38
Optional Card Reader Mountings for MDC Models.....	40
Coin Drops	42
Coin Drop Kits.....	44
Coin Drop Components for NetMaster Models	46
Card Reader NetMaster Models	48
Network Connection for NetMaster Models	50
Emergency Stop Button - CE Models and Model UB075E	52
Cabinet Front Components (Drawing 1 of 2)	54
Cabinet Front Components (Drawing 2 of 2)	56
Cabinet Panels and Nameplates (Drawing 1 of 2).....	58
Cabinet Panels and Nameplates (Drawing 2 of 2).....	60
Front Panel Assemblies (Drawing 1 of 3)	62
Front Panel Assemblies (Drawing 2 of 3)	64
Front Panel Assemblies (Drawing 3 of 3)	66
Lint Panel Switch Assembly - Models Through Serial No. 020802177	68
Lint Panel Switch Assembly - Models Starting Serial No. 020802178.....	70
Lower Cabinet Front Components	72
Cabinet Limit and Thermistor Assembly	74
Cabinet Components	76
Door and Hinge Components (Drawing 1 of 2).....	78
Door and Hinge Components (Drawing 2 of 2).....	80

© Copyright 2018, Alliance Laundry Systems LLC

All rights reserved. No part of the contents of this book may be reproduced or transmitted in any form or by any means without the expressed written consent of the publisher.

Cylinder and Trunnion Components	82
Trunnion Housing Components	84
Cylinder, Trunnion and Bearing Assemblies and Kits.....	86
Reversing Cylinder Drive Motor and Components.....	88
Drive Components for Reversing Models	90
Drive Components for Nonreversing Models	92
Idler Housing Assembly for Reversing Models	94
Idler Housing Assembly for Nonreversing Models	96
Idler Assembly for Nonreversing Models	98
Fan Components	100
Fan Motors.....	102
Fan Components and Motor for STF, UB and UTF Models.....	104
Gas Heater Components for All Models Except STF and UTF Models (Drawing 1 of 2).....	106
Gas Heater Components for All Models Except STF and UTF Models (Drawing 2 of 2).....	108
Burner Orifices for Non-CE Models Except STF and UTF Models	110
Gas Heater Components for All Models Except STF and UTF Models - Rear View	112
Gas Heater Components for STF and UTF Models.....	114
Electric Heater Components for Non-CE Models.....	116
Electric Heater Components for CE Models	118
Airflow Switch Assembly	120
Steam Heater and Valve.....	122
Rotation Sensor	124
Duct and Damper Assembly	126
Rear Panel Assembly	128
Contactors Assembly Harnesses (Drawing 1 of 3).....	130
Contactors Assembly Harnesses (Drawing 2 of 3).....	132
Contactors Assembly Harnesses (Drawing 3 of 3).....	134
Contactors Assembly (Drawing 1 of 21)	136
Contactors Assembly (Drawing 2 of 21)	138
Contactors Assembly (Drawing 3 of 21)	140
Contactors Assembly (Drawing 4 of 21)	142
Contactors Assembly (Drawing 5 of 21)	144
Contactors Assembly (Drawing 6 of 21)	146
Contactors Assembly (Drawing 7 of 21)	148
Contactors Assembly (Drawing 8 of 21)	150
Contactors Assembly (Drawing 9 of 21)	152
Contactors Assembly (Drawing 10 of 21)	154
Contactors Assembly (Drawing 11 of 21)	156
Contactors Assembly (Drawing 12 of 21)	158
Contactors Assembly (Drawing 13 of 21)	160
Contactors Assembly (Drawing 14 of 21)	162
Contactors Assembly (Drawing 15 of 21)	164
Contactors Assembly (Drawing 16 of 21)	166
Contactors Assembly (Drawing 17 of 21)	168
Contactors Assembly (Drawing 18 of 21)	170
Contactors Assembly (Drawing 19 of 21)	172
Contactors Assembly (Drawing 20 of 21)	174
Contactors Assembly (Drawing 21 of 21)	176
Parts Index.....	179

Parts Ordering Information

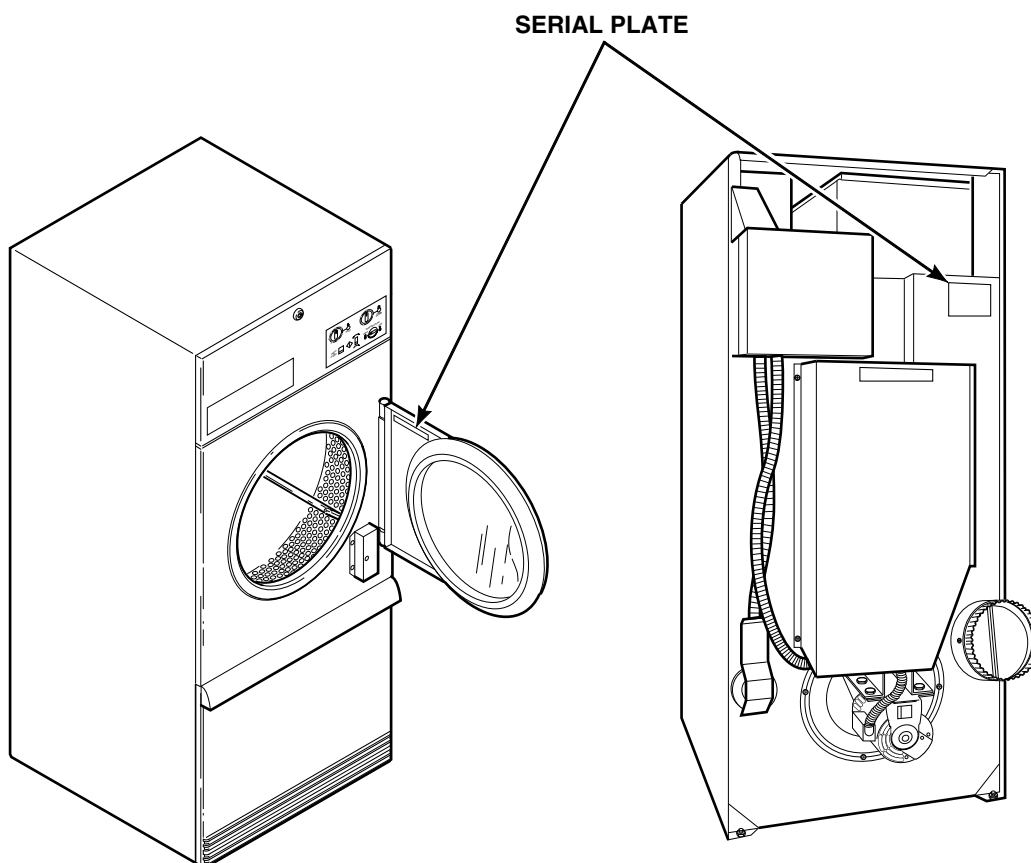
If literature or replacement parts are required, contact the source from whom the machine was purchased or contact Alliance Laundry Systems at (920) 748-3950 for the name and address of the nearest authorized parts distributor.

For technical assistance, call the number listed below:

(920) 748-3121 Ripon, Wisconsin

Serial Plate Location

When calling or writing about your product, be sure to mention model and serial numbers. Model and serial numbers are located on serial plate(s) as shown.



TMB803N_70409201

Model Identification

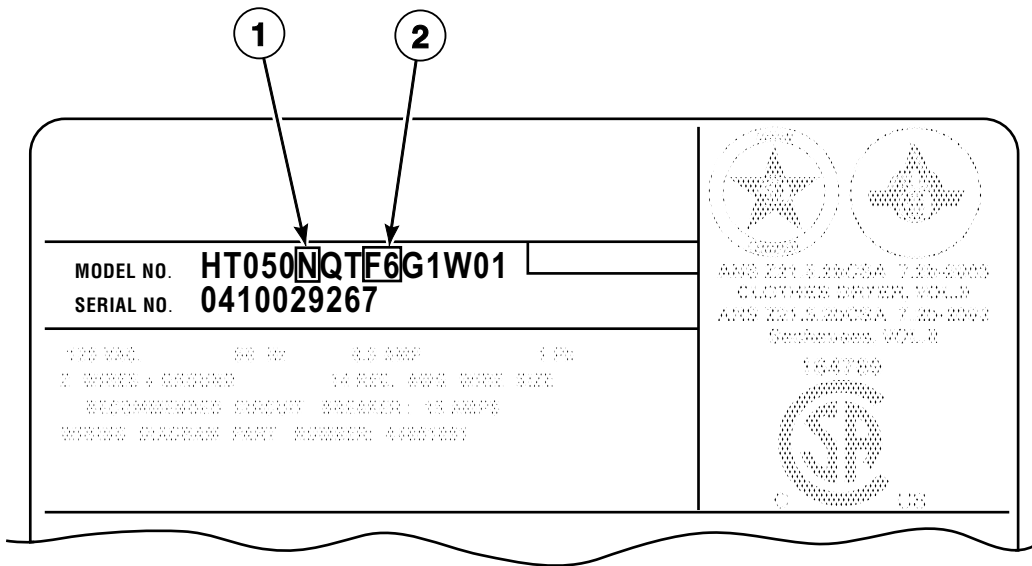
Information in this manual is applicable to these tumbler models:

AT075E	GA075L	IT075E	PA075L	UA075L
AT075L	GA075N	IT075L	PA075N	UA075N
AT075N	GT075E	IT075N	PT075E	UB075E
AT075S	GT075L	IT075S	PT075L	UT075E
BA075L	GT075N	IT075T	PT075N	UT075L
BA075N	GT075S	KA075L	PT075S	UT075N
BT075D	GT075T	KA075N	PT075T	UT075S
BT075E	GU075E	KT075E	PU075E	UT075T
BT075L	GU075L	KT075L	PU075L	UTF75L
BT075N	GU075N	KT075N	PU075N	UTF75N
BT075S	GU075S	KT075S	PU075S	UU075E
BT075T	GU075T	KT075T	PU075T	UU075L
BU075E	HA075L	KU075E	SA075L	UU075N
BU075L	HA075N	KU075L	SA075N	UU075S
BU075N	HT075D	KU075N	ST075D	UU075T
BU075S	HT075E	KU075S	ST075E	YT075E
BU075T	HT075L	KU075T	ST075L	YT075L
CA075L	HT075N	LA075L	ST075N	YT075N
CA075N	HT075S	LA075N	ST075S	YT075S
CT075E	HT075T	LT075E	ST075T	YT075T
CT075L	HU075E	LT075L	STF75L	YU075E
CT075N	HU075L	LT075N	STF75N	YU075S
CT075S	HU075N	LT075S	SU075E	YU075T
CT075T	HU075S	LT075T	SU075L	
CU075E	HU075T	LU075E	SU075N	
CU075L		LU075L	SU075S	
CU075N		LU075N	SU075T	
CU075S		LU075S		
CU075T		LU075T		
		NT075L_SERIAL_THROUGH_0904		
		NT075N_SERIAL_THROUGH_0904		

Control Suffixes (7th and 8th characters):

3O - DX4 OPL	DO - DMP OPL	RD - reversing DMP OPL
3V - DX4 vended	DV - DMP vended	RM - reversing OPL Micro
3X - DX4 prep for coin	DX - DMP prep for coin	RQ - reversing dual digital timer
BC - basic electronic, coin	MT - manual timer	RT - reversing manual timer
BL - basic electronic, central pay	NC - NetMaster coin	SD - single drop
BU - basic electronic, prep card-open	NR - NetMaster card	SX - single drop, prep for coin
BX - basic electronic, prep for coin	NX - NetMaster, prep for coin	ZC - NetMaster network, coin
BY - basic electronic, prep for card	NY - NetMaster, prep for card	ZR - NetMaster network, card
CD - rotary coin drop	OM - OPL Micro	ZX - NetMaster network, prep for coin
CX - prep for coin drop	QT - dual digital timer	ZY - NetMaster network, prep for card
CY - prep for card	R3 - reversing DX4 OPL	

Product Overview - Heat Source and Voltage



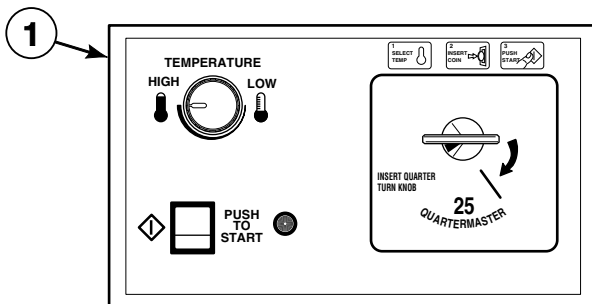
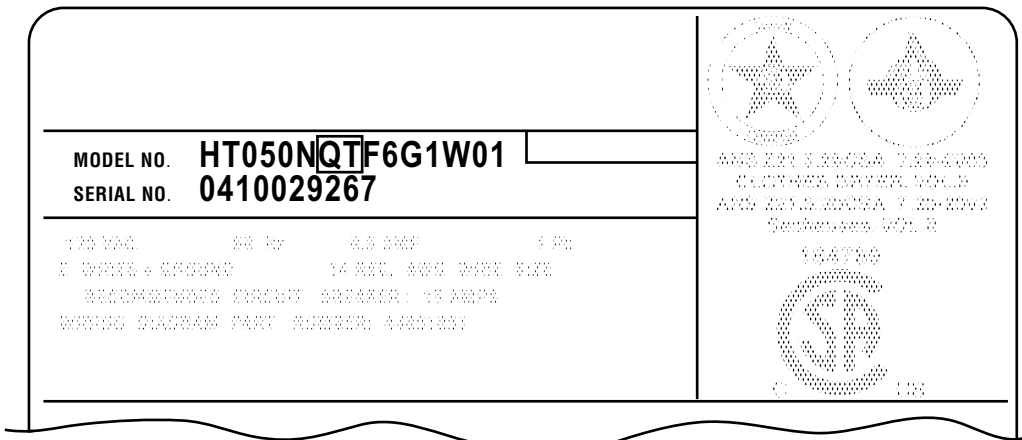
TMB2730P_70409201

Product Overview - Heat Source and Voltage

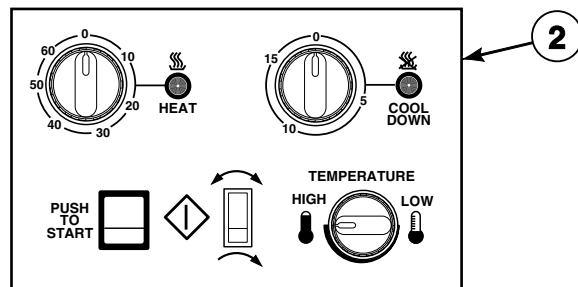
REF	PART NO.	DESCRIPTION	COMMENTS
1	-	Heat Source	D: Liquid Petroleum Gas (L.P.) E: Electric L: Liquid Petroleum Gas (L.P.) N: Natural Gas (N.G.) S: Steam T: Thermal Oil
2	-	Voltage	B1: 120 Volt/60 Hertz/1 Phase F3: 200-208 or 240 Volt/60 Hertz/1 Phase F4: 200 Volt/50 Hertz/3 Phase F5: 200-208 Volt/60 Hertz/3 Phase F6: 200-208 or 240 Volt/60 Hertz/3 Phase J1: 230 Volt/50 Hertz/1 Phase J2: 230-240 Volt/50 Hertz/1 Phase J3: 240 Volt/50 Hertz/1 Phase J5: 230 Volt/50 Hertz/3 Phase J6: 230-240 Volt/50 Hertz/3 Phase J7: 240 Volt/50 Hertz/3 Phase J8: 240 Volt/60 Hertz/3 Phase M1: 380 Volt/50 Hertz/3 Phase M2: 380 or 400-415 Volt/50 Hertz/3 Phase M3: 380 Volt/60 Hertz/3 Phase N1: 400-415 Volt/50 Hertz/3 Phase P1: 440 Volt/60 Hertz/3 Phase Q1: 460-480 Volt/60 Hertz/3 Phase Q2: 480 Volt/60 Hertz/3 Phase

Product Overview - Control Suffixes (Drawing 1 of 3)

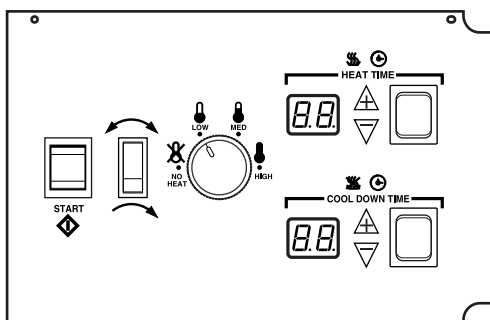
All Models Except G and K Models



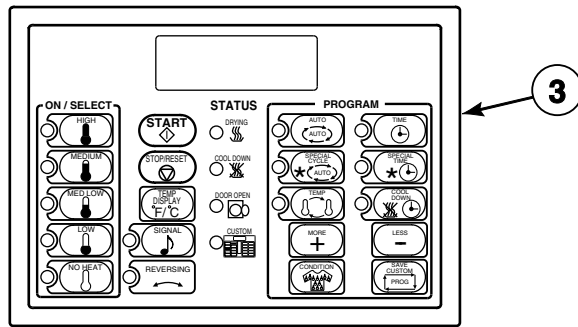
CD, CX and CY Control Suffixes



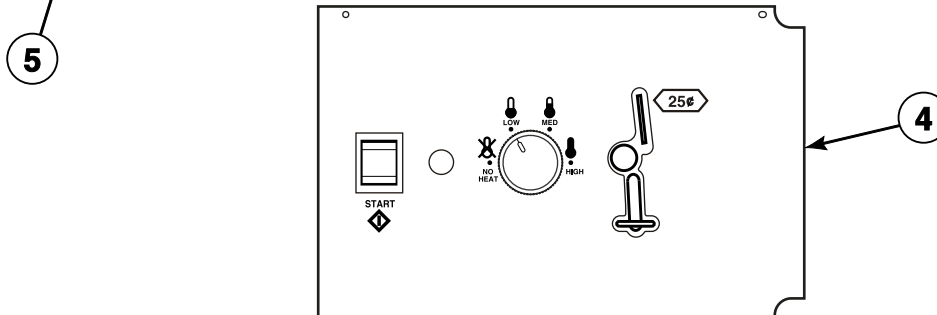
MT and RT Control Suffixes



QT and RQ Control Suffixes



OM and RM Control Suffixes



SD and SX Control Suffixes

TMB2725P_70409201

Product Overview - Control Suffixes (Drawing 1 of 3)

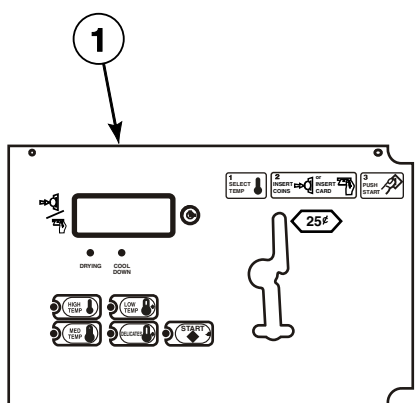
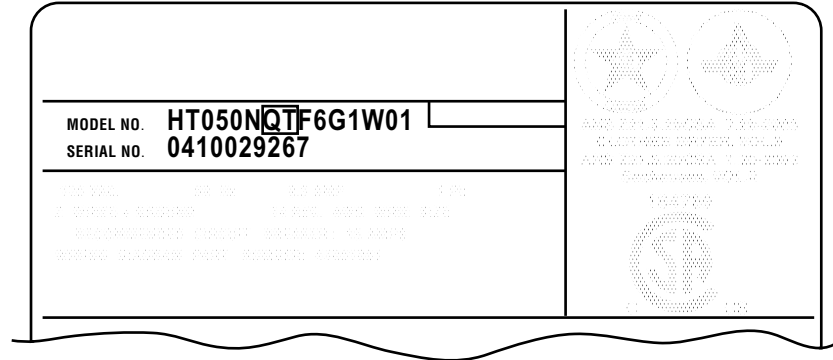
REF	PART NO.	DESCRIPTION	COMMENTS
1	-	Control - Nonreversing	CD: rotary coin drop CX: prep for coin CY: prep for card
2	-	Control - Nonreversing	MT: manual timer
	-	Control - Reversing	RT: reversing manual timer
3	-	Control - Nonreversing	OM: OPL micro
	-	Control - Reversing	RM: reversing OPL micro
4	-	Control - Nonreversing	SD: single drop SX: single drop, prep for coin
5	-	Control - Nonreversing	QT: dual digital timer
	-	Control - Reversing	RQ: reversing dual digital timer

NOTE: Coin models have the following control suffixes: CD, CX, SD and SX.

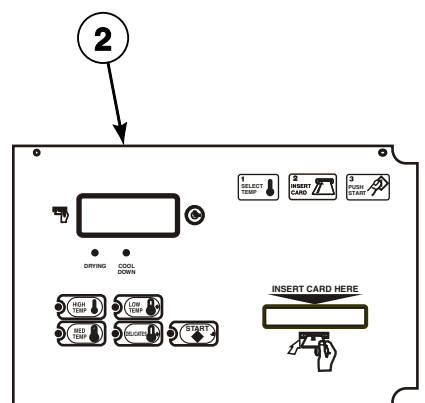
NOTE: OPL models have the following control suffixes: CY, MT, OM, QT, RM, RQ and RT.

Product Overview - Control Suffixes (Drawing 2 of 3)

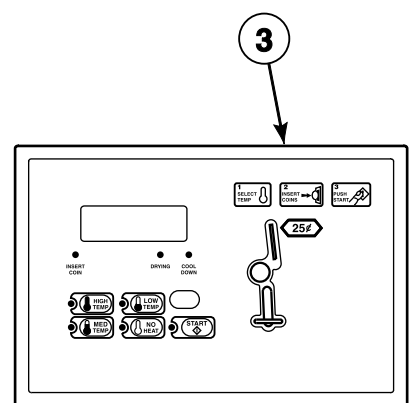
All Models Except G and K Models



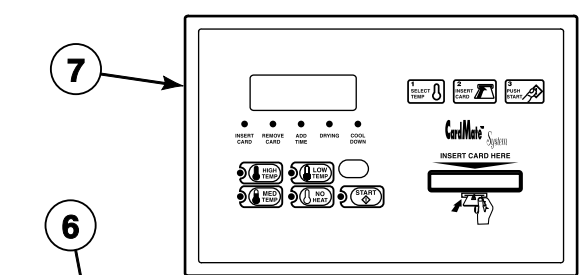
BC and BX Control Suffixes



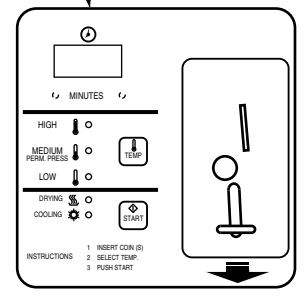
BL, BU and BY Control Suffixes



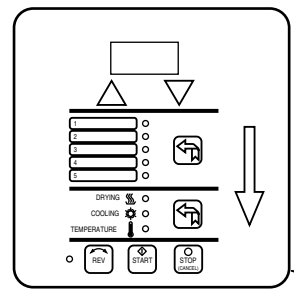
NC, NX, ZC and ZX Control Suffixes



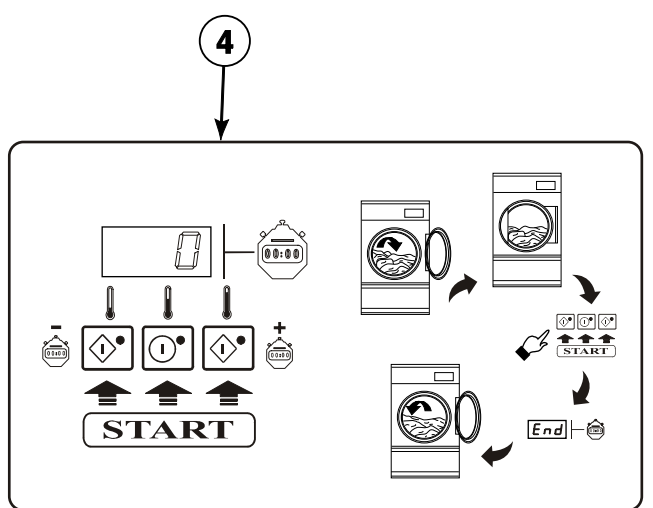
NR, NY, ZR and ZY Control Suffixes



DV and DX Control Suffixes



DO and RD Control Suffixes



30, 3V, 3X and R3 Control Suffixes

TMB2727P_70409201

Product Overview - Control Suffixes (Drawing 2 of 3)

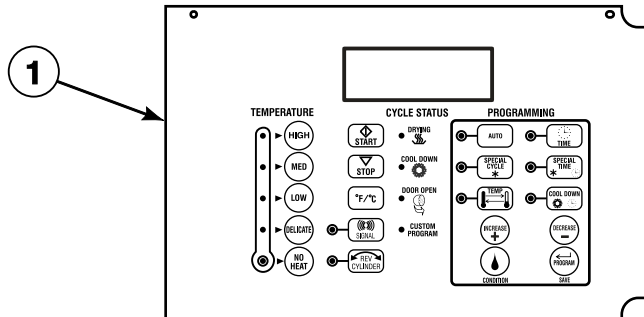
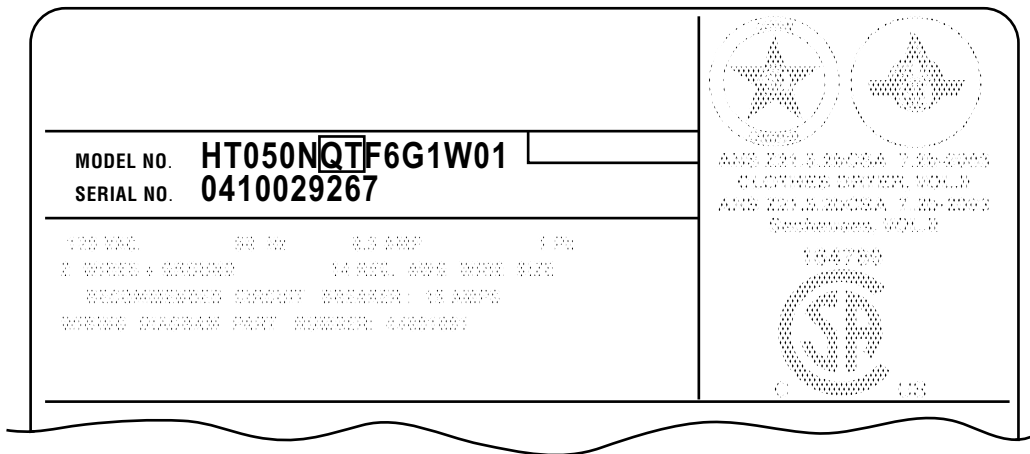
REF	PART NO.	DESCRIPTION	COMMENTS
1	-	Control - Nonreversing	BC: basic electronic, coin BX: basic electronic, prep for coin
2	-	Control - Nonreversing	BL: basic electronic, central pay BU: basic electronic, prep card-open BY: basic electronic, prep for card
3	-	Control - Nonreversing	NC: NetMaster coin NX: NetMaster, prep for coin ZC: NetMaster network, coin ZX: NetMaster network, prep for coin
4	-	Control - Nonreversing	3O: DX4 OPL 3V: DX4 vended 3X: DX4 prep for coin
	-	Control - Reversing	R3: reversing DX4 OPL
5	-	Control - Nonreversing	DO: DMP OPL
	-	Control - Reversing	RD: reversing DMP OPL
6	-	Control - Nonreversing	DV: DMP vended DX: DMP prep for coin
7	-	Control - Nonreversing	NR: NetMaster card NY: NetMaster, prep for card ZR: NetMaster network, card ZY: NetMaster network, prep for card

NOTE: Coin models have the following control suffixes: 3V, 3X, BC, BX, DV, DX, NC, NX, ZC and ZX.

NOTE: OPL models have the following control suffixes: 3O, BL, BU, BY, DO, NR, NY, R3, RD, ZR and ZY.

Product Overview - Control Suffixes (Drawing 3 of 3)

G and K Models



OM and RM Control Suffixes

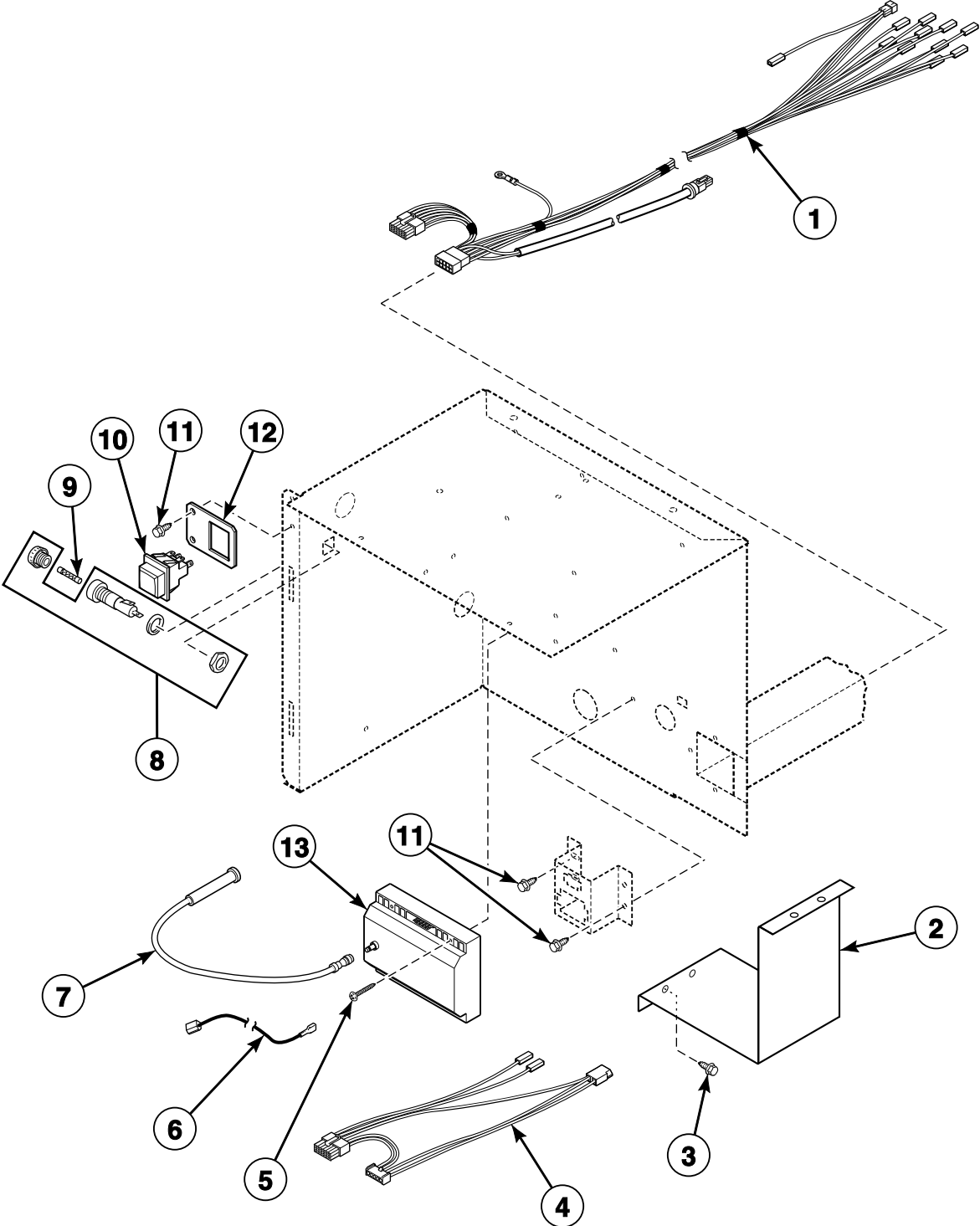
TMB2726P_70409201

Product Overview - Control Suffixes (Drawing 3 of 3)

REF	PART NO.	DESCRIPTION	COMMENTS
1	-	Control - Nonreversing	OM: OPL micro
	-	Control - Reversing	RM: reversing OPL micro

NOTE: OPL models have the following control suffixes: OM and RM.

Control Box



TMB1256P_70409201

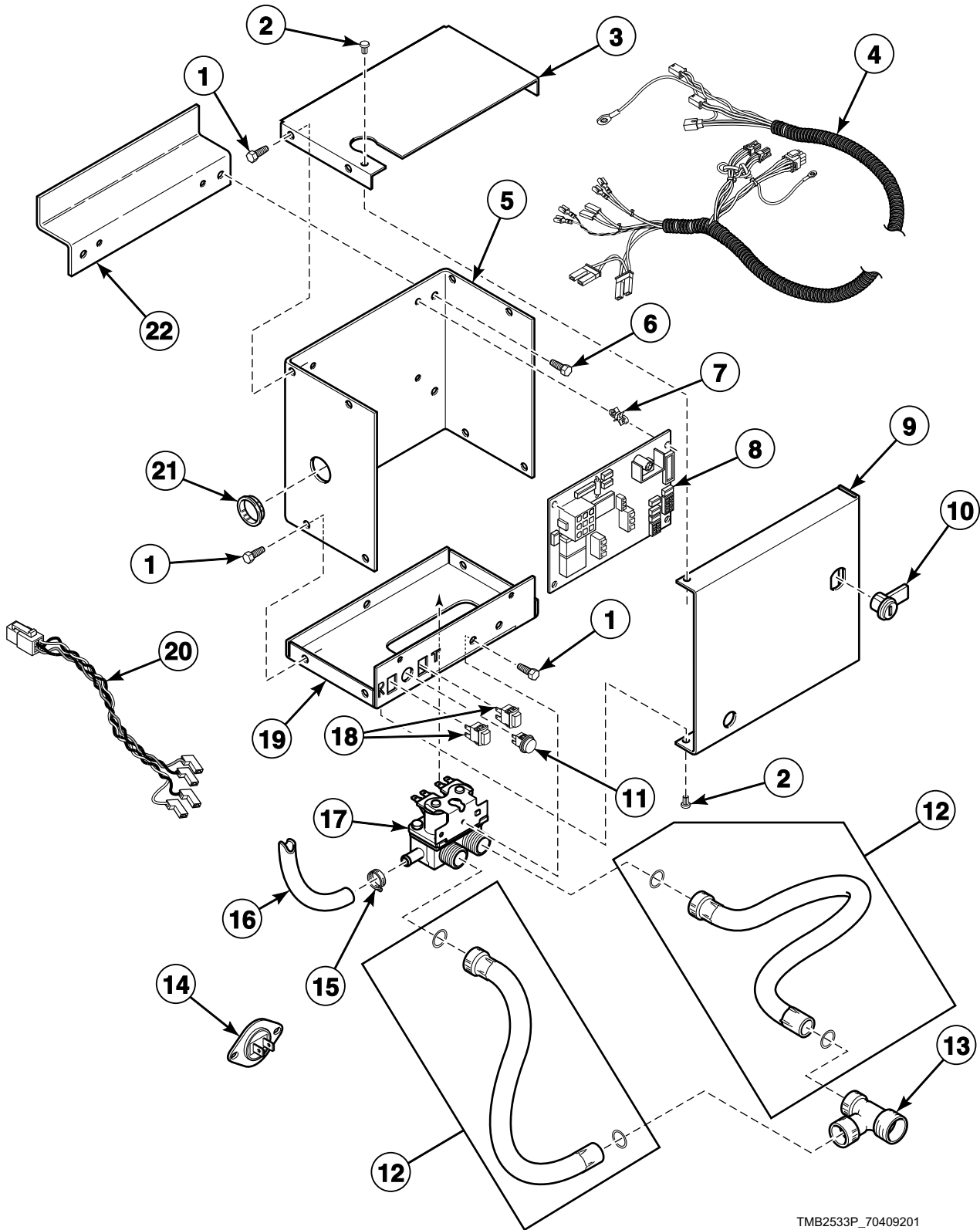
Control Box

REF	PART NO.	DESCRIPTION	COMMENTS
1	44006301P	Main Harness	Non-CE models
	44006501P	Main Harness	CE models with CD, CX, CY, MT and RT control suffixes through Serial No. 0602002257
	44098801	Main Harness	CE models with 3O, 3V, BC, BL, BU, BX, BY, DO, DV, NC, NR, NX, NY, OM, QT, RD, RM, RQ, SD, SX, ZC, ZR, ZX and ZY control suffixes starting Serial No. 0602002258
2	N/A	Ignition Control Shield	All models except B, C, I and N models; NC, NR, NX, NY, ZC, ZR, ZX and ZY control suffixes
3	51780	Screw	All models except B, C, I and N models; 4 required
4	M413678P	Control Box Harness Assembly	Non-CE and non-Australian gas models
	M413679	Control Box Harness Assembly	Non-CE and non-Australian steam models; Bypass
	M413680	Control Box Harness Assembly	Non-CE and non-Australian electric models
	M413824	Control Box Harness Assembly	Australian models
	M413993	Control Box Harness Assembly	CE gas models
	44045601	Control Box Harness	CE electric models
	M413168	Bypass Harness Assembly	CE steam models
5	70069901	Screw	Gas models; 2 required
	M411143	Screw	Australian models; 2 required
6	M411061	ICM Return Lead	Australian models; Use with M410904P Instant Electronic Ignition Control
7	44061603	High Temperature Lead	Non-Australian models; Use with 70367301P or 70367401P Ignition Control
	44061604	High Temperature Lead	Australian models; Use with M410904P Instant Electronic Ignition Control
	44239703	High Voltage Suppression Cable	Use with 70483201P or 70458601P Ignition Control
8	91024P	Fuse Receptacle	Non-CE models
9	M414232	Fuse	Non-CE models
10	M413431	Pushbutton Switch	CE gas models; Reset
11	430497	Screw	
12	44005101	Lighted Switch Bracket	CE gas models
13	M4954P3	Ignition Control Kit	Australian models through Serial No. 0107002063; MT and RT control suffixes
	M4955P3	Ignition Control Kit	Australian models through Serial No. 0107002063; OM and RM control suffixes
	M4956P3	Ignition Control Kit	Australian models starting Serial No. 0107002064
	44264701	Ignition Control Kit	CE gas models
	44264601	Ignition Control Kit	Non-CE and non-Australian gas models except BT075D, HT075D and ST075D
	M4982P3	Ignition Control Kit	Models BT075D, HT075D and ST075D

N/A = Part no longer available

Fire Suppression System Control Box

B, C and I Models Starting Serial No. 0609000375 and All A, G, H, K, S and U Models
Models with a F, K, L, T or U in the 11th character (ST075NRTF6K1W01)



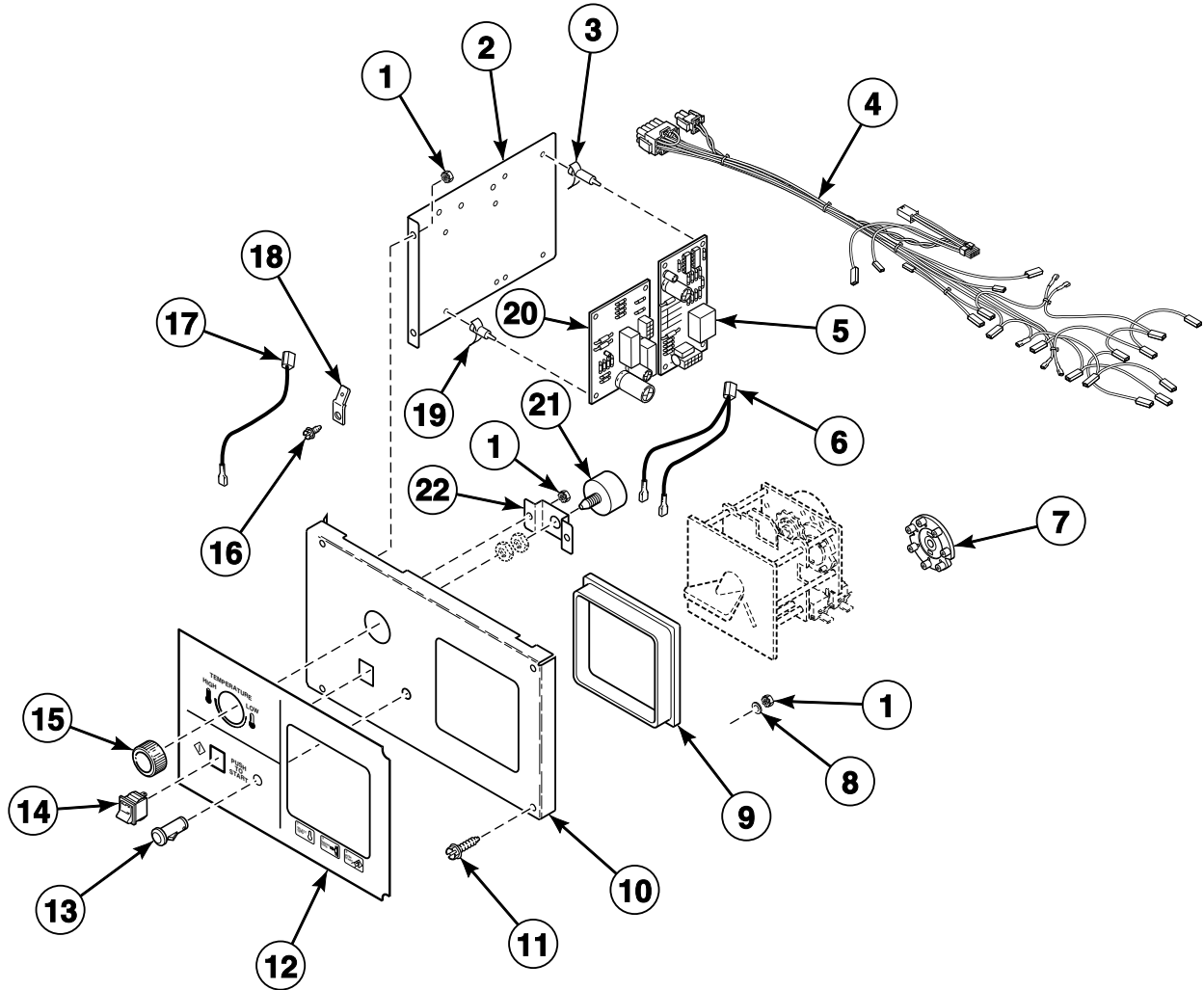
TMB2533P_70409201

Fire Suppression System Control Box

REF	PART NO.	DESCRIPTION	COMMENTS
1	430497	Screw	
2	M400713	Drive Rivet	
3	44065401	Control Box Top	
4	44076901P	Control Harness	
5	44065101	Control Box Housing	
6	51780	Screw	
7	D501523	Circuit Board Support	4 required
8	44063801P	Control	
9	44065201	Control Box Cover	
10	44089301P	Lock, Key and Nut Kit	RL001 key code; Optional if same key is to be used for control lock
	70155601	Key	RL001
11	801432	Light	
12	F200116	Water Hose	2 required
13	44069101	Hose Fitting	
14	44064701	Thermistor	2 required
15	36801	Hose Clamp	
16	44073301	Hose	39 inches; Outlet hose
17	36958P	Mixing Valve	
18	801434W	Push-to-Start Switch	2 required
19	44065301	Control Box Base	
20	44068702P	Sensor Harness Assembly	
21	70178701	Snap Bushing	
22	44065901	Bracket	For mounting fire suppression system box to machine

Electromechanical Coin Drop

C, H, P and S Models Except HT075D, ST075D and STF Models and Thermal Oil Models
Models with CD, CX and CY Control Suffixes



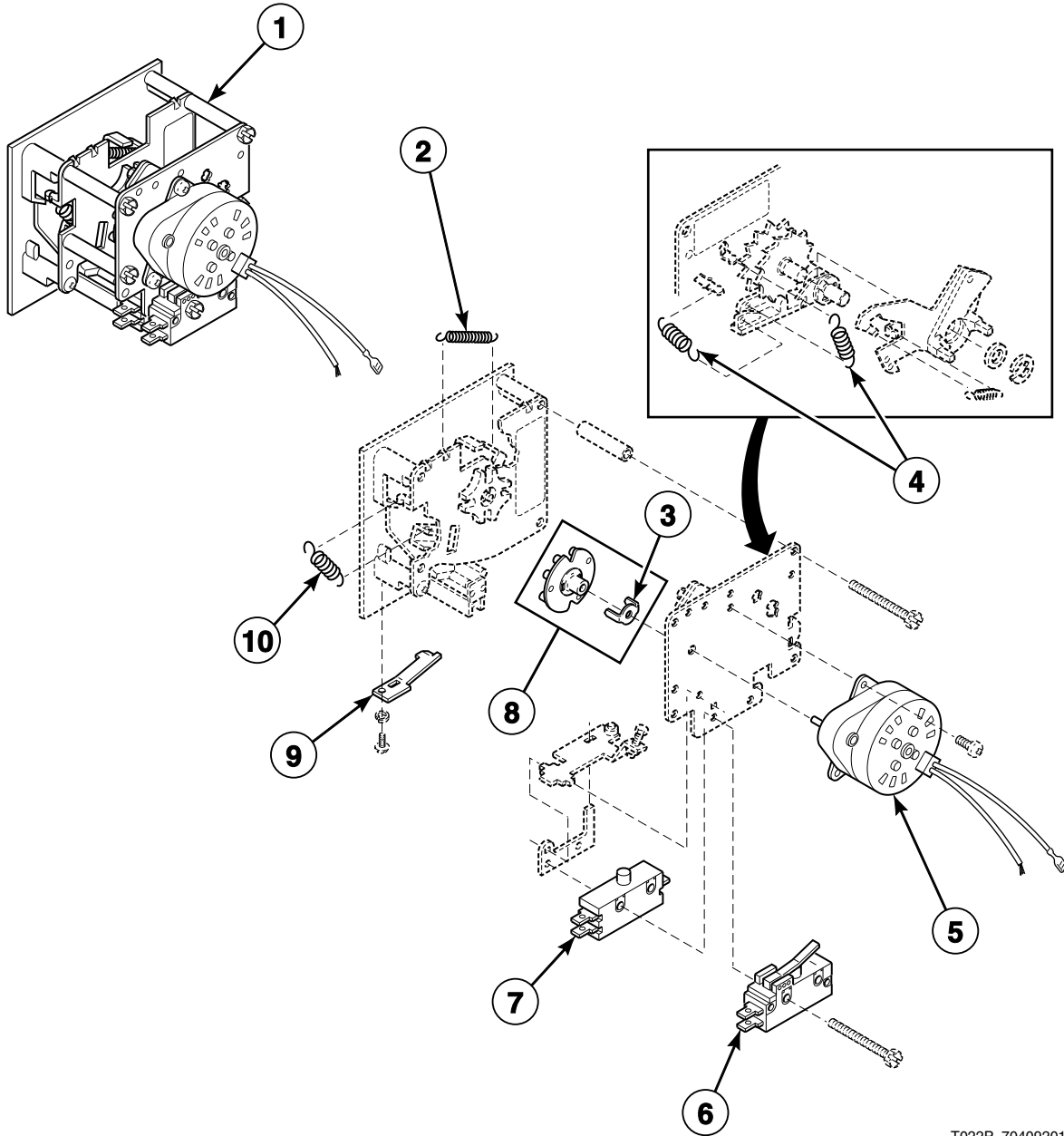
TMB2534P_70409201

Electromechanical Coin Drop

REF	PART NO.	DESCRIPTION	COMMENTS
1	70054	Nut	7 required
2	44018601	Temperature Control Bracket	
3	34896	Circuit Board Support	4 required
4	44005501P	Control Panel Harness	Non-CE models
	44006601	Control Panel Harness	CE electric models
	44025801	Control Panel Harness	CE gas and steam models
5	431347P	Thermostat Module	
6	70084104P	Calibration Jumper	
7	M409532	Cam Package	Timing cams; Includes 9 cams
8	M405535	Washer	3 required
9	70061701	Rotary Drop Shroud	
10	70175804	Control Plate Assembly	
11	70069901	Screw	2 required
12	70113501	Overlay	C and S models; Text and icon
	70131001	Overlay	S models; Icon
	70114301	Overlay	H models; Text and icon
	70134801	Overlay	H models; Icon
	70183501	Overlay	P models; Text and icon
13	70082201	Indicator Light	
14	70108501	Start Switch	
15	44020501	Knob	P and S models; Temperature
	44020502	Knob	H models; Temperature
	44020503	Temperature Knob	C models; Temperature
16	430497	Screw	
17	M412645	Jumper Wire Assembly	Ground wire
18	00177	Male Tab Terminal	
19	70178801	Circuit Board Support	4 required
20	70175301P	Timer Control Assembly	
21	70475001P	Temperature Kit	Potentiometer
22	70080701	Mounting Bracket	

Coin Meter

C, H, P and S Models Except HT075D, ST075D and STF Models and Thermal Oil Models
Models with CD, CX and CY Control Suffixes



T022P_70409201

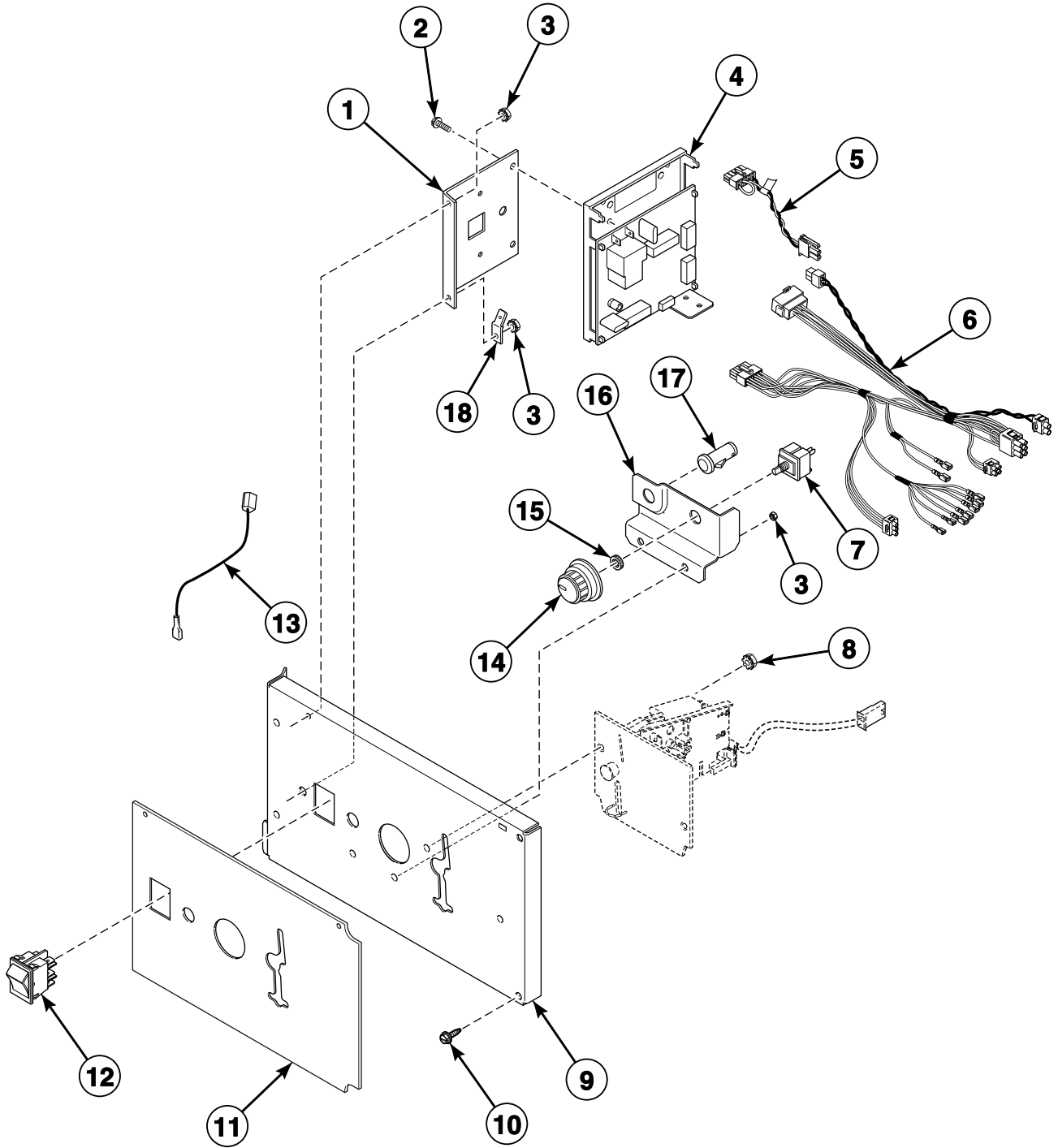
Coin Meter

REF	PART NO.	DESCRIPTION	COMMENTS
1	N/A	Coin Meter	Australia; .20/5 minutes; CD control suffix
	70112501P	Coin Meter	Australia; 1.00/15 minutes; CD control suffix
	70112701P	Coin Meter	USA; .25/10 minutes; CD control suffix
	70137301P	Coin Meter	Standard; 118-1; 60 Hertz; CD control suffix
	70137401P	Coin Meter	Standard; 118-5; 60 Hertz; CD control suffix
	70151301	Coin Meter	South Africa; .20/10 minutes; CD control suffix
	N/A	Coin Meter	England; 20 pence; CD control suffix
	N/A	Coin Meter	Denmark; 1 krone; CD control suffix
	M412546	Coin Meter	Standard; 118-1; 50 Hertz; CD control suffix
	N/A	Coin Meter	Standard; 118-5/10; 50 Hertz; CD control suffix
	70262401	Coin Meter	Euro; .20; CD control suffix
	N/A	Coin Meter	Euro; .50; CD control suffix
	2	M405138B	Return Spring
3	M400754	Coin Meter Drive	
4	M402455	Coil Spring	
5	70218201	Timer Motor	60 Hertz
	70218301	Timer Motor	50 Hertz
6	M400947	Switch	Heat; Switch "B"
7	N/A	Single Throw Switch	Run; Switch "A"
8	M400732P	Timing Cam	10 pin; 6 minute
	M400733P	Timing Cam	12 pin; 5 minute
	M400734P	Timing Cam	2 pin; 30 minute
	M400735P	Timing Cam	3 pin; 20 minute
	M400736P	Timing Cam	4 pin; 15 minute
	M400737P	Timing Cam	5 pin; 12 minute
	M400738P	Timing Cam	6 pin; 10 minute
	M400739P	Timing Cam	7 pin; 8.5 minute
	M400740P	Timing Cam	8 pin; 7.5 minute
M400741P	Timing Cam	9 pin; 6.6 minute	
9	M406297	Coin Retainer Spring	
10	M405138A	Coin Carrier Spring	

N/A = Part no longer available

Single Drop Controls

C, H, I and S Models Except HT075D, ST075D and STF Models
Models with SD and SX Control Suffixes



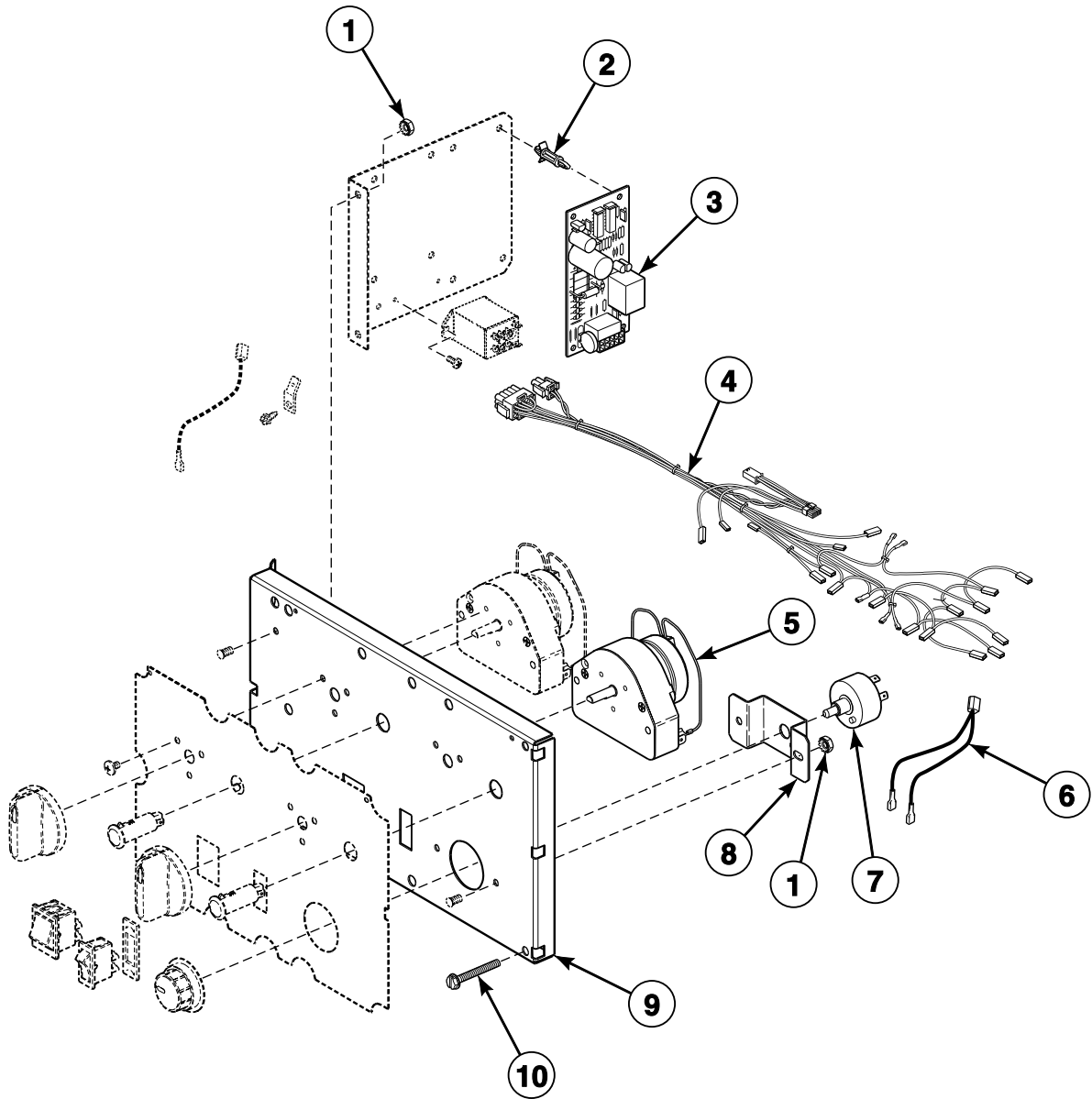
TMB2391P_70409201

Single Drop Controls

REF	PART NO.	DESCRIPTION	COMMENTS
1	70357901	Control Chassis Mounting Bracket	
2	D501524	Screw	
3	70054	Nut	
4	D513139P	Control Assembly	
5	70324604	Jumper Calibration Wire	
6	44099901P	Control Panel Harness	Non-CE models
	44100201P	Control Panel Harness	CE models
7	D511711	Temperature Selector Switch	
8	29786	Nut	
9	70363401	Control Door Assembly	
10	70069901	Screw	
11	70362901	Overlay	C, I and S models
	70363001	Overlay	H models
12	70455101	Rocker Switch	Start switch
13	M412645	Jumper Wire Assembly	
14	44104601	Temperature Knob	
15	24205	Nut	
16	70350201	Temperature Selector Bracket	
17	801431	Light	
18	00177	Male Tab Terminal	

Manual Dual Timer Controls (Drawing 1 of 2)

A, B, C, H, P, S, U and Y Models Except BT075D, HT075D, ST075D, STF, UB and UTF Models;
GT and GU Models Through Serial No. 0110002231
Models with MT and RT Control Suffixes



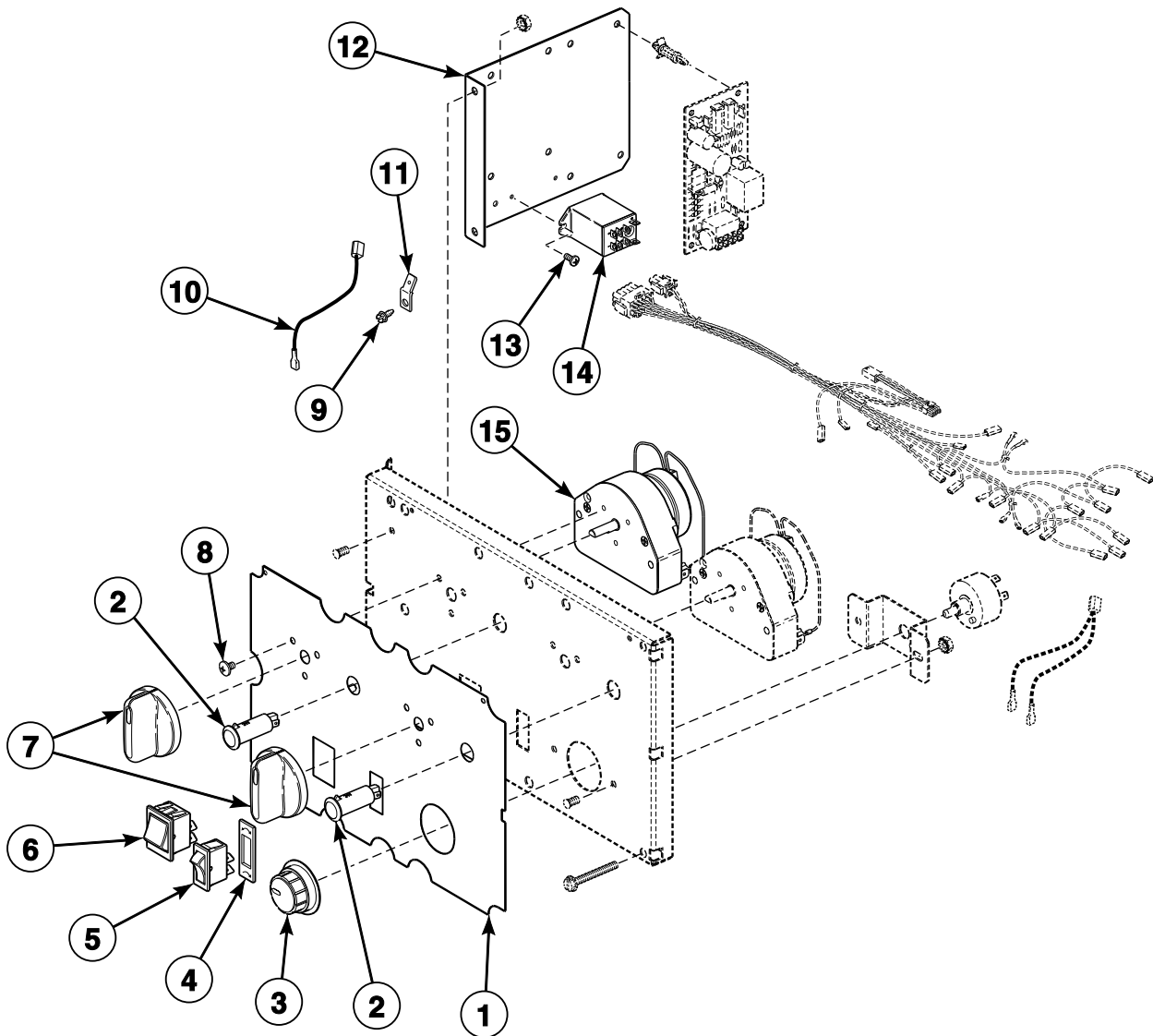
TMB1290P_70409201

Manual Dual Timer Controls (Drawing 1 of 2)

REF	PART NO.	DESCRIPTION	COMMENTS
	M4799P3	Control Conversion Kit	B and C non-CE electric and gas models with MT control suffix
	44016201P	Control Assembly	
1	70054	Nut	4 required
2	34896	Circuit Board Support	4 required
3	431347P	Thermostat Module	
4	44005601P	Control Panel Harness	Non-CE models; Nonreversing
	44005701P	Control Panel Harness	Non-CE models; Reversing
	44006701	Control Panel Harness	CE electric models; Nonreversing
	44006801	Control Panel Harness	CE electric models; Reversing
	44025601	Control Panel Harness	CE gas and steam models; Nonreversing
	44025701	Control Panel Harness	CE gas and steam models; Reversing
5	70131701P	Timer	Heat; 50 and 60 Hertz
6	70084104P	Calibration Jumper	
7	70475001P	Temperature Kit	Potentiometer; 10-25000 ohms resistance
8	70080701	Mounting Bracket	
9	70175803	Control Plate Assembly	Includes self-clinching studs
10	70069901	Screw	2 required

Manual Dual Timer Controls (Drawing 2 of 2)

A, B, C, H, P, S, U and Y Models Except BT075D, HT075D, ST075D, STF, UB and UTF Models;
GT and GU Models Through Serial No. 0110002231
Models with MT and RT Control Suffixes



TMB1537P_70409201

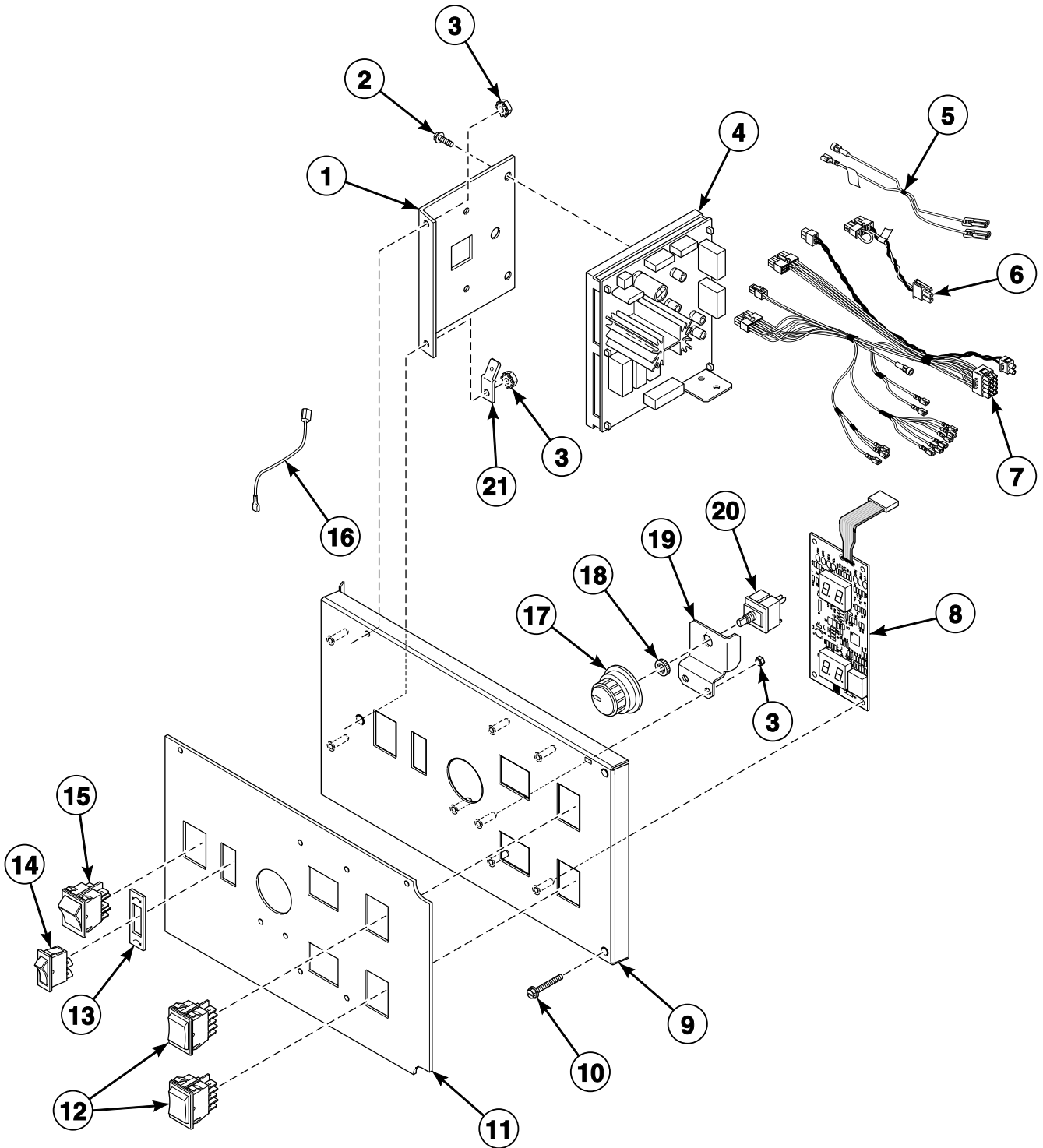
Manual Dual Timer Controls (Drawing 2 of 2)

REF	PART NO.	DESCRIPTION	COMMENTS
	44016201P	Control Assembly	
1	70114501	Overlay	A, B, C, S, U and Y models; Nonreversing
	70114502	Overlay	A, B, C, S, U and Y models; Reversing
	N/A	Overlay	G models; Nonreversing
	70129202	Overlay	G models; Reversing
	70245901	Overlay	P models; Nonreversing
	N/A	Overlay	P models; Reversing
	70246001	Overlay	H models; Nonreversing
	N/A	Overlay	H models; Reversing
	70246101	Overlay	H models; Nonreversing; Icon
	N/A	Overlay	H models; Reversing; Icon
	70134901	Overlay	S and U models; Nonreversing; Icon
	N/A	Overlay	S and U models; Reversing; Icon
2	70082201	Indicator Light	
3	44020501	Knob	A, P, S, U and Y models; Temperature
	44020502	Knob	G and H models; Temperature
	44020503	Temperature Knob	B and C models; Temperature
4	M413236	Switch Plate	Reversing
5	M413270	Rocker Switch	Reversing
6	70108501	Start Switch	Push to start
7	70082101	Timer Knob	A, P, S, U and Y models
	M410927	Knob	G and H models
	M400773	Knob	B and C models
8	M411052	Screw	3 required per timer
9	430497	Screw	
10	M412645	Jumper Wire Assembly	Ground wire
11	00177	Male Tab Terminal	
12	44018601	Temperature Control Bracket	
13	M402797	Screw	Non-CE models; 2 required
14	M412534	Relay	Non-CE models
15	70131801P	Timer	Cooling; 60 Hertz; 15 minute
	M412079P	Timer	Cooling; 50 Hertz; 15 minute

N/A = Part no longer available

Dual Digital Timer Controls

C, H, I, S, U and Y Models Except STF, UB and UTF Models
Models with QT and RQ Control Suffixes



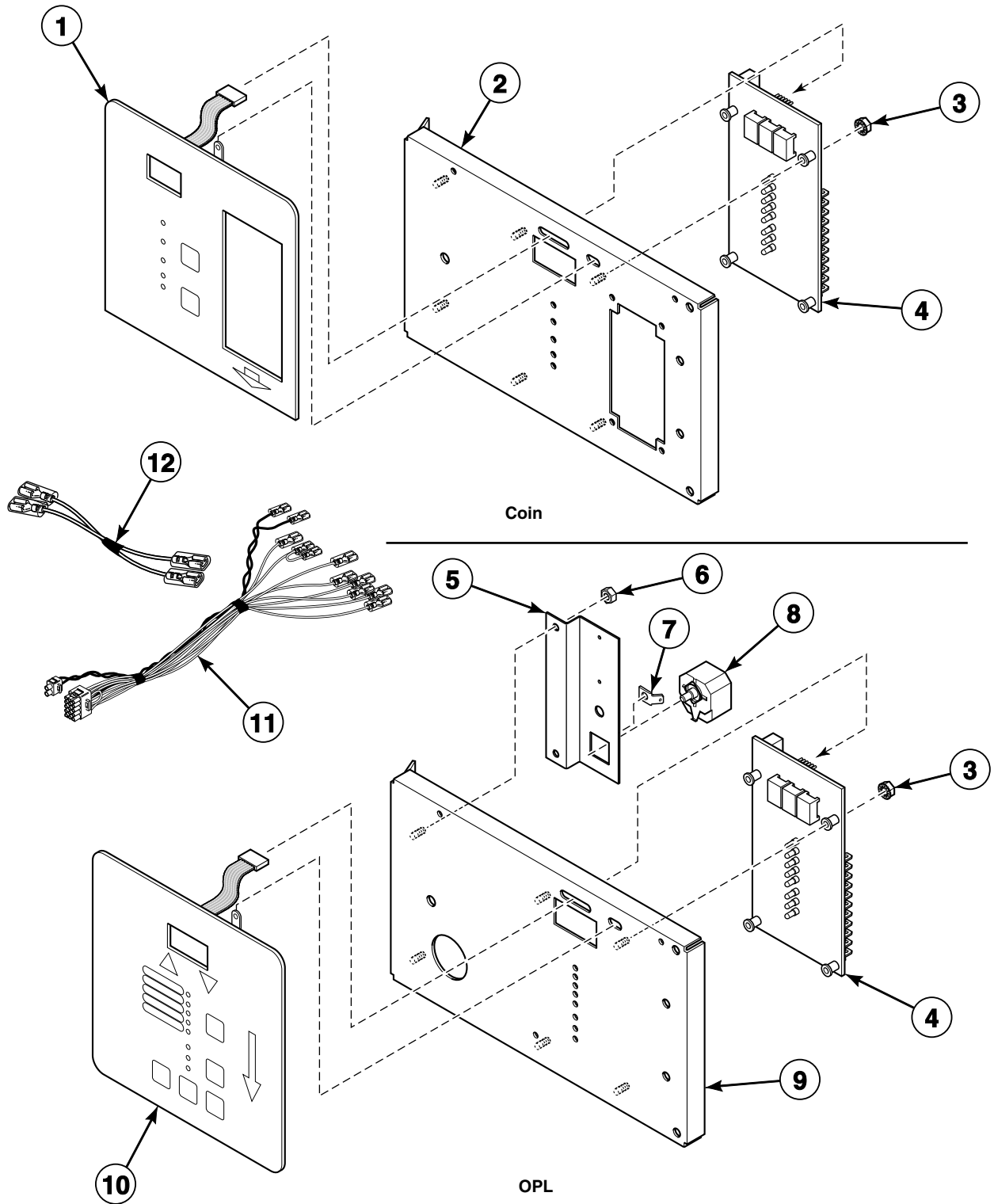
TMB2390P_70409201

Dual Digital Timer Controls

REF	PART NO.	DESCRIPTION	COMMENTS
1	70357901	Control Chassis Mounting Bracket	
2	D501524	Screw	
3	70054	Nut	
4	D512202P	Control Assembly	
5	44100101P	Control Harness	Reversing; Use in addition to item 7
6	70324605	Jumper Calibration Wire	
7	44100001P	Control Harness	Non-CE models
	44100301P	Control Panel Harness	CE models
8	D512218P	Display Assembly	
9	70360601	Control Plate Assembly	
10	70069901	Screw	
11	70362201	Overlay	C, I, S, U and Y models; Nonreversing
	70362202	Overlay	C, I, S, U and Y models; Reversing
	70362501	Overlay	H models; Nonreversing
	70362502	Overlay	H models; Reversing
12	70461301	Rocker Switch	
13	M413236	Switch Plate	Reversing
14	44099601	Rocker Switch	Reversing
15	70455101	Rocker Switch	Start switch
16	M412645	Jumper Wire Assembly	Ground wire
17	44104601	Temperature Knob	
18	24205	Nut	
19	70391701	Temperature Selector Switch Bracket	
20	D511711	Temperature Selector Switch	
21	00177	Male Tab Terminal	

DMP Control

C and I Models
Models with DO, DV, DX and RD Control Suffixes



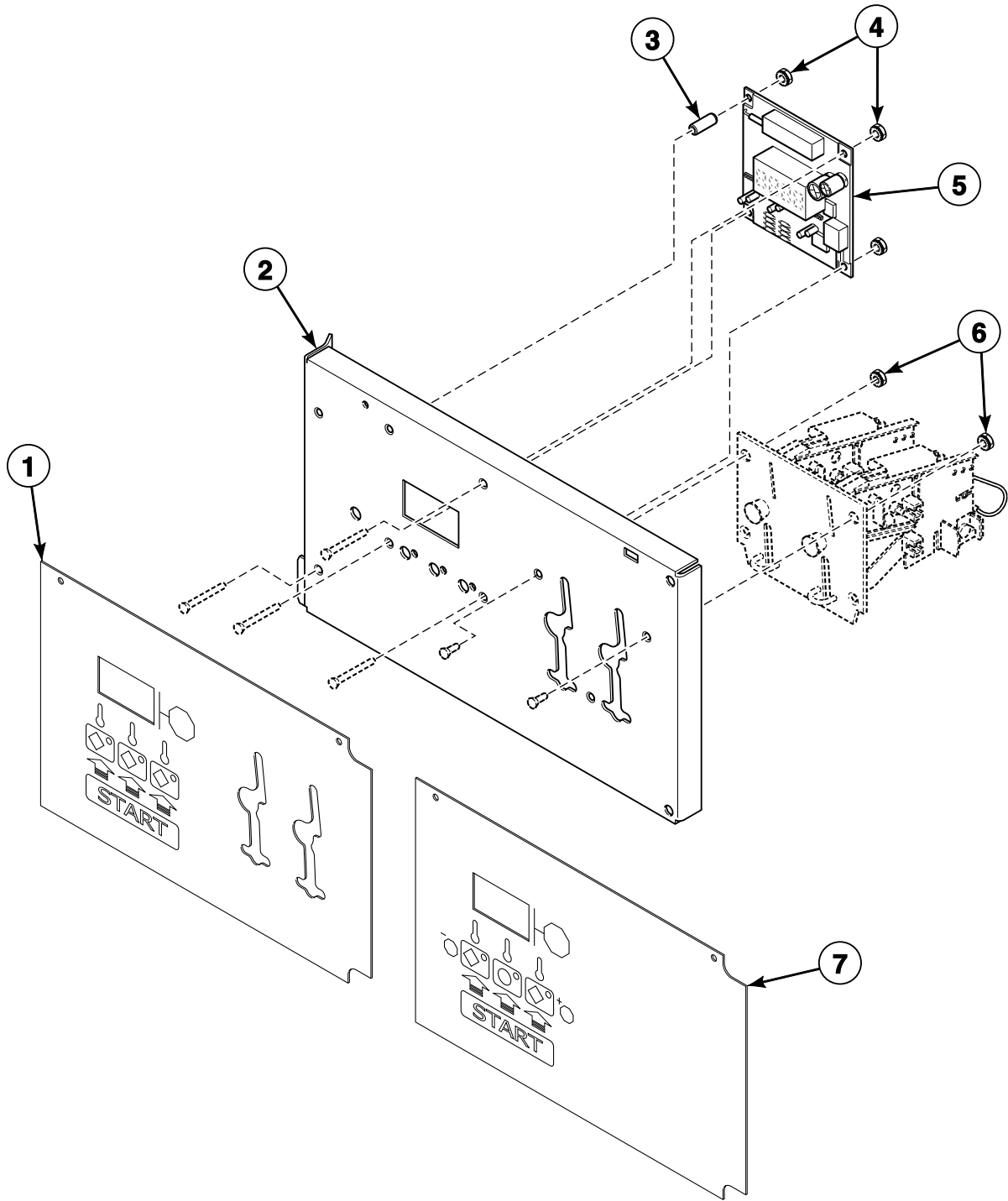
TMB2547P_70409201

DMP Control

REF	PART NO.	DESCRIPTION	COMMENTS
	M4797P3	Control Conversion Kit	C models; DV and DX control suffixes
1	44039402P	Membrane Switch	Coin
2	44041001	Control Plate Assembly	Coin; Includes studs
3	29787	Nut	
4	44037801P	Electronic Control	
5	44041701	Relay/Buzzer Bracket	
6	70054	Nut	
7	00177	Male Tab Terminal	
8	D505447	Adjustable Buzzer	
9	44040901	Control Plate Assembly	OPL; Includes studs
10	44037901P	Membrane Switch	OPL
11	44040301	Control Panel Harness Assembly	Non-CE models; Nonreversing
	44042601	Control Panel Harness	Non-CE models; Reversing
	44043201P	Control Panel Harness	CE models; Coin
12	44042701	Jumper Set Assembly	Coin; Use in addition to 44040301 Control Panel Harness Assembly or 44042601 Control Panel Harness
	44042801	Jumper Set Assembly	OPL; Buzzer; Use in addition to 44040301 Control Panel Harness Assembly or 44042601 Control Panel Harness

DX4 Electronic Control

B and I Models
Models with 3O, 3V, 3X and R3 Control Suffixes



TMB2400P_70409201

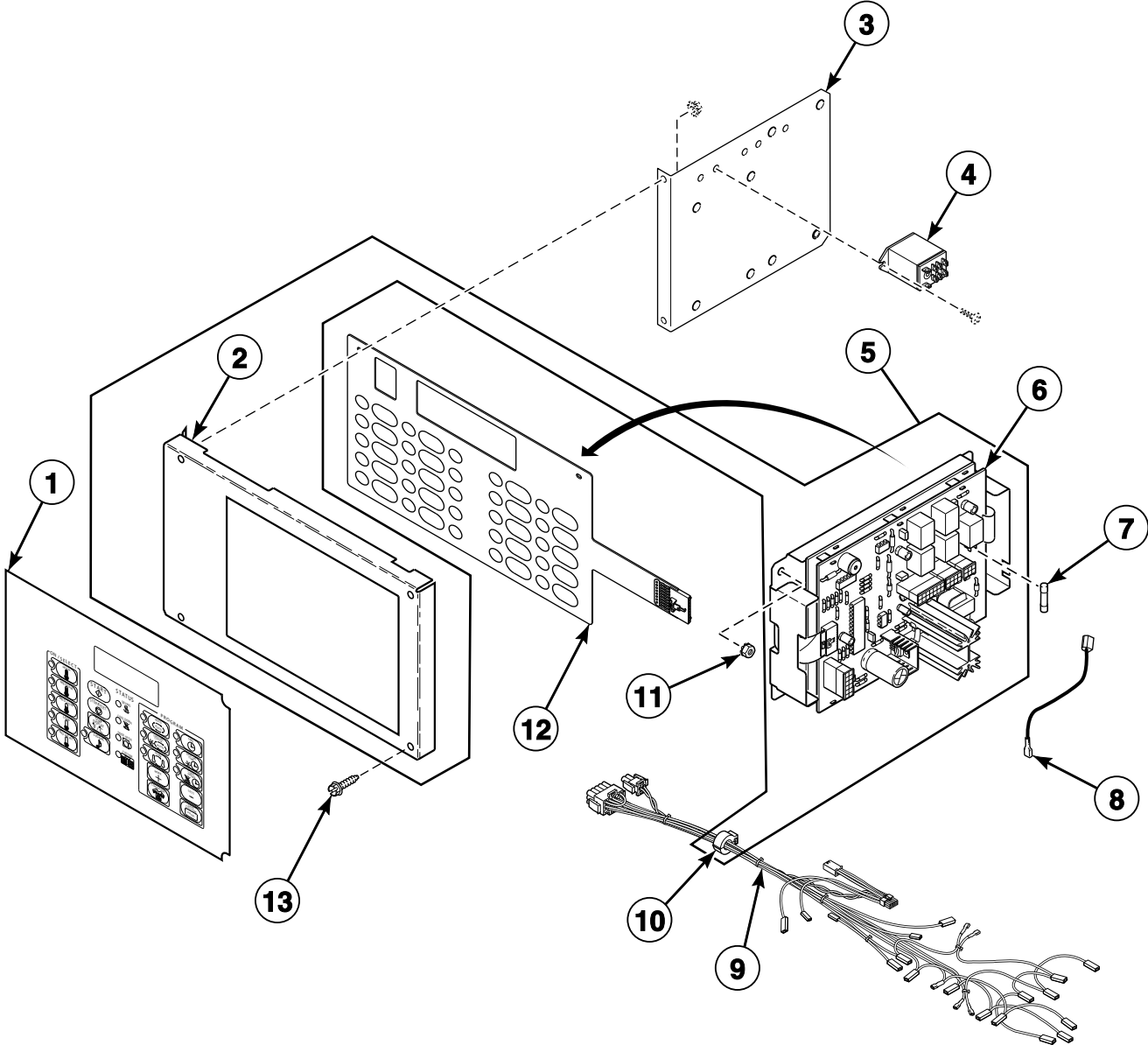
DX4 Electronic Control

REF	PART NO.	DESCRIPTION	COMMENTS
	44051401	Control Panel Harness	CE models through 7/10/2005
	N/A	Control Panel Harness	CE models starting 7/11/2005
	44052601	Control Panel Harness	Non-CE models through 7/10/2005
	44098601	Control Panel Harness	Non-CE models starting 7/11/2005
1	44050502	Graphic Overlay	Dual; Coin (shown)
	44050501	Graphic Overlay	Single; Coin
2	44050701P	Control Plate Kit	Includes studs
3	44050601	Sleeve	4 required
4	29787	Nut	
5	70462305P	Control Assembly	3O control suffix
	70462306P	Control Assembly	R3 control suffix
	70462365P	Control Assembly	3V and 3X control suffixes
6	29786	Nut	2 required
7	44240501	Graphic Overlay	OPL

N/A = Part no longer available

OPL Microprocessor Controls

A, G, H, K, L, P, S and U Models
Models with OM and RM Control Suffixes



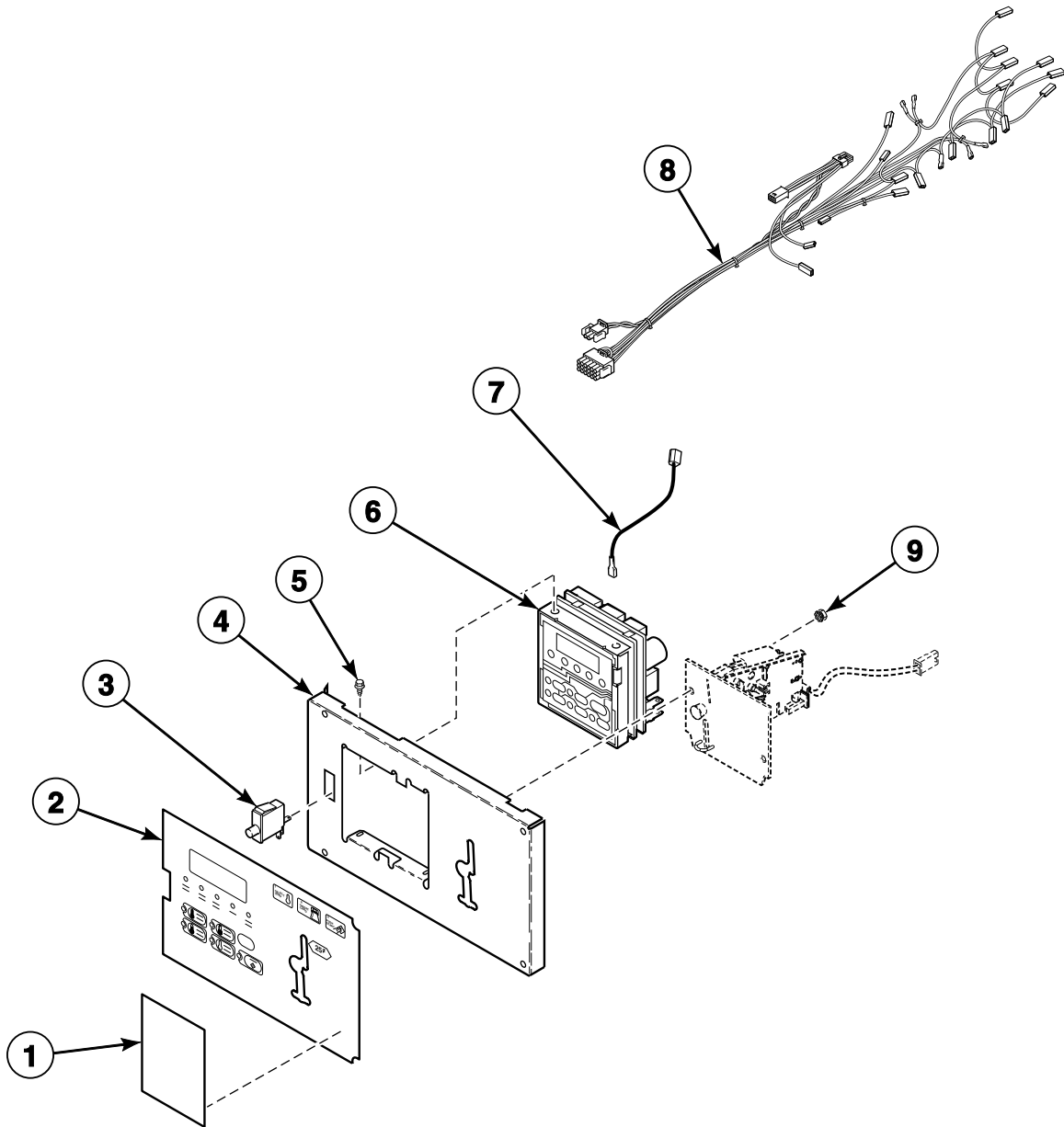
TMB3267P_70409201

OPL Microprocessor Controls

REF	PART NO.	DESCRIPTION	COMMENTS
1	70115801	Overlay	A, L, S and U models; Nonreversing; Text and icon
	70128401	Overlay	A, L, S and U models; Reversing; Text and icon
	70128701	Overlay	H models; Nonreversing; Text and icon
	70128601	Overlay	H models; Reversing; Text and icon
	70130301	Overlay	P models; Nonreversing; Text and icon
	70135301	Overlay	P models; Reversing; Text and icon
	44130002	Overlay	G models starting Serial No. 0707008006; K models; Nonreversing; Text and icon
	44130001	Overlay	G models starting Serial No. 0707008006; K models; Reversing; Text and icon
	70130401	Overlay	GT and GU models through Serial No. 0110002231; A, S and U models; Nonreversing; Icon
	70130501	Overlay	GT and GU models through Serial No. 0110002231; A, S and U models; Reversing; Icon
	70130601	Overlay	H models; Nonreversing; Icon
70130701	Overlay	H models; Reversing; Icon	
2	70175805	Control Plate Assembly	
3	44018601	Temperature Control Bracket	
4	M412534	Relay	
5	44013601P	Control Assembly	Does not include overlay or control panel harness
6	70228401P	Control Kit	With tape
7	70406501	Fuse	
8	M412645	Jumper Wire Assembly	Ground wire
9	44016701P	Control Panel Harness	Non-CE models; Nonreversing
	44016702	Control Panel Harness	Non-CE models; Reversing
	44017001	Control Panel Harness	CE models; Nonreversing
	44017002	Control Panel Harness	CE models; Reversing
10	M413930P	Ferrite Core Assembly	
11	70054	Nut	4 required
12	M414368P	Membrane Switch	
13	70069901	Screw	2 required

Coin Drop Components for MDC Models

G, H, L, P and S Models Except STF Models
Models with BC, BL and BX Control Suffixes



TMB2548P_70409201

Coin Drop Components for MDC Models

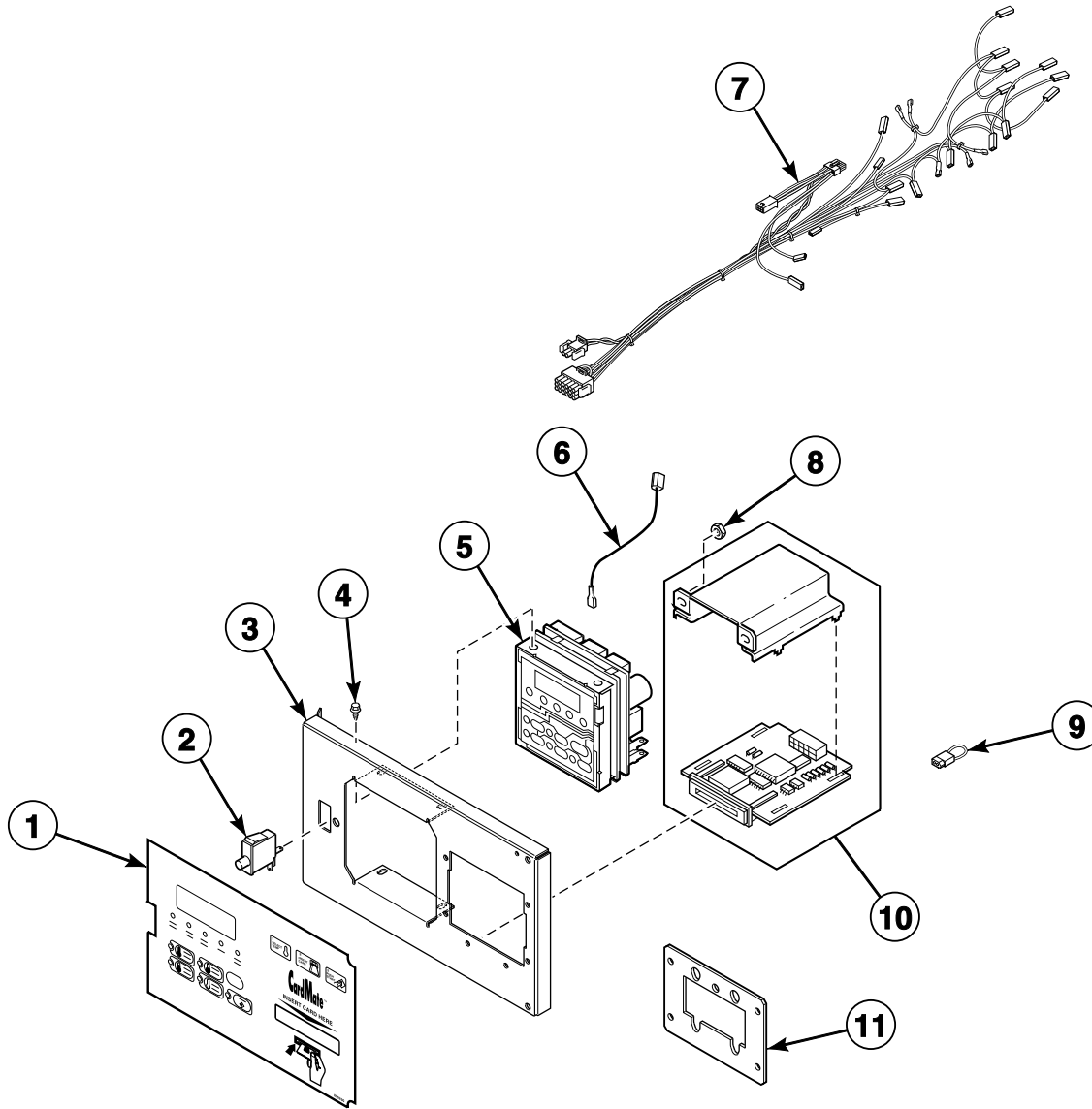
REF	PART NO.	DESCRIPTION	COMMENTS
1	39564	Coin Drop Overlay	S models with BL** control suffix; Cover
	70246301	Coin Cover Overlay	L models with BL** control suffix; Cover
	70286701	Overlay	P models with BL** control suffix; Cover
	70275401	Overlay	H models with BL** control suffix; Cover
2	70257701	Overlay	L and S models with BC, BL** and BX control suffixes; Text; Single drop
	70129501	Overlay	P models with BC* and BX* control suffixes; Single drop
	70129601	Overlay	P models with BC* and BX* control suffixes; Dual drop
	70321001	Overlay	P models with BC* and BX* control suffixes; World drop
	70259001	Overlay	P models with BC* and BX* control suffixes
	70261001	Overlay	L and S models with BC, BL** and BX control suffixes; Icon; Single drop
	70257702	Overlay	L and S models with BC and BX control suffixes; Dual drop
	70261002	Overlay	L and S models with BC and BX control suffixes; Dual drop
	70411701	Overlay	G models with BC and BX control suffixes; Text; Single drop
	70411702	Overlay	G models with BC and BX control suffixes; Text; Dual drop
	70258001	Overlay	H models with BC, BL** and BX control suffixes; Text; Single drop
	70261201	Overlay	H models with BC, BL** and BX control suffixes; Icon; Single drop
	70258002	Overlay	H models with BC and BX control suffixes; Dual drop
	70261202	Overlay	H models with BC and BX control suffixes; Icon; Dual drop
3	70413301	Pushbutton Switch	
4	70291001P	Control Plate Kit	
5	D501524	Screw	4 required for mounting control
6	D511867P	Control Assembly	
7	M412645	Jumper Wire Assembly	Ground wire
8	44010801P	Control Panel Harness	Non-CE models
	44010901	Control Panel Harness	CE models
9	29786	Nut	3 required

* NOTE: P models with BC or BX control suffixes require an overlay and coin drop overlay.

** NOTE: BL control suffix requires an overlay and overlay cover specific to model.

Central Pay and Card Reader MDC Models

G, H, K, L, N, P and S Models Except STF Models
Models with BG, BL, BU and BY Control Suffixes



TMB2456P_70409201

Central Pay and Card Reader MDC Models

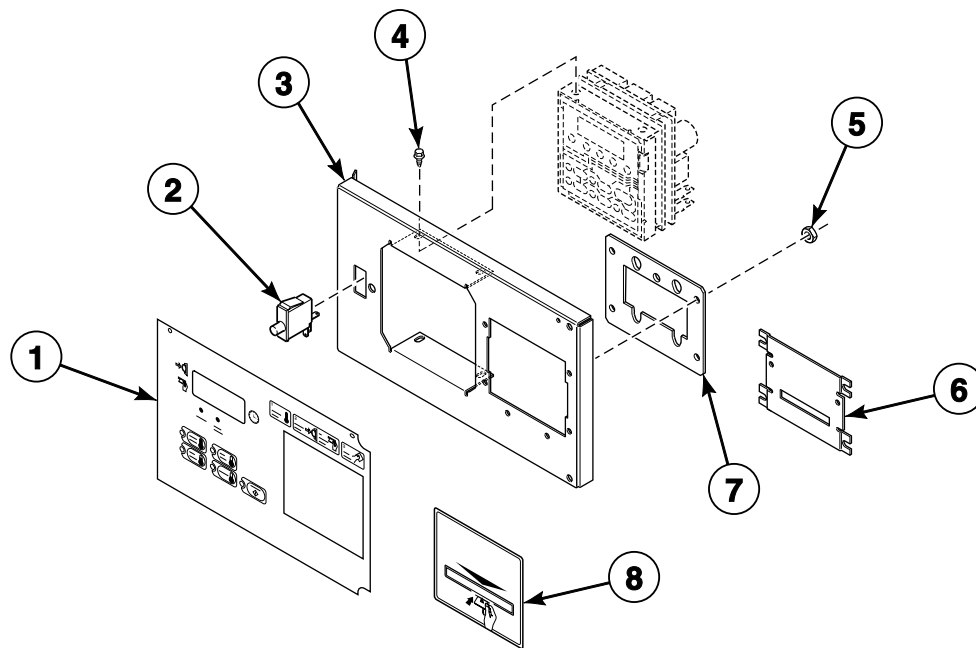
REF	PART NO.	DESCRIPTION	COMMENTS
1	70266701	Overlay	L and S models with BY control suffix; Text
	N/A	Overlay	L and S models with BY control suffix; Icon
	70257703	Overlay	L and S models except model ST075D with BY control suffix; Text
	70261003	Overlay	L and S models except model ST075D with BY control suffix; Icon
	70259001	Overlay	P models with BL* control suffix
	70266801	Overlay	H models with BY control suffix; Text
	70258003	Overlay	H models except model HT075D with BU control suffix; Text
	70411703	Overlay	G and K models with BG control suffix; Text
2	70413301	Pushbutton Switch	
3	N/A	Control Plate Assembly	BY control suffix
	70348801	Control Plate Assembly	H, N, P and S models except models HT075D and ST075D with BU control suffix
	70291001P	Control Plate Kit	H, L, P and S models with BL control suffix
4	D501524	Screw	
5	D511867P	Control Assembly	
6	M412645	Jumper Wire Assembly	Ground wire
	44010801P	Control Panel Harness	Non-CE models
7	44010901	Control Panel Harness	CE models
8	70054	Nut	
9	N/A	Bypass Jumper Wire	
10	D510068P	Card Reader and Bracket Assembly	
11	70208801	Mounting Plate	H, N, P and S models except models HT075D and ST075D with BU control suffix

N/A = Part no longer available

*** NOTE: BL control suffix requires an overlay and overlay cover specific to model.**

Optional Card Reader Mountings for MDC Models

H, L, N, P and S Models Starting Serial No. 0408000120 Except STF Models
Models with BY Control Suffix



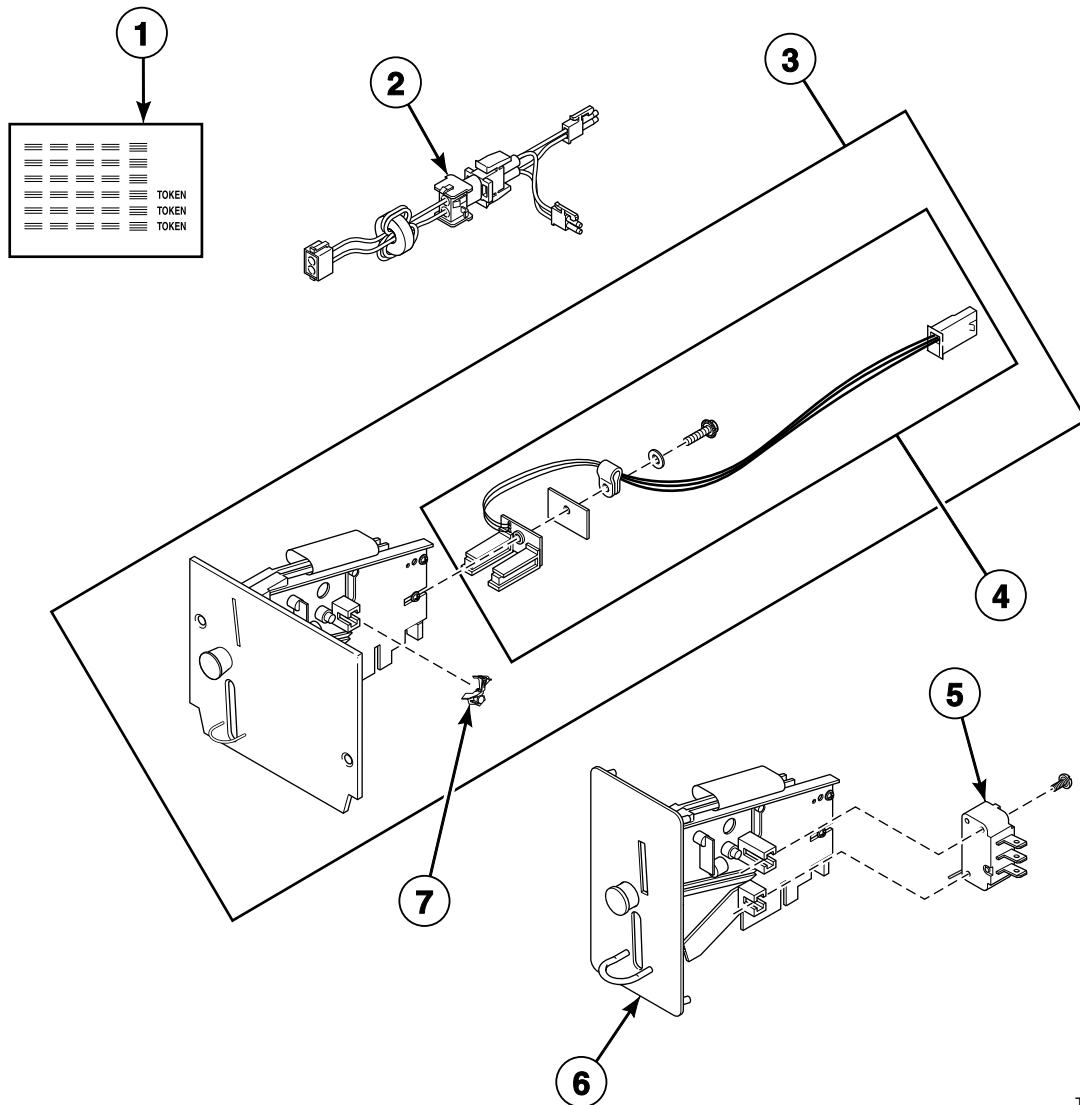
TMB1827B_70409201

Optional Card Reader Mountings for MDC Models

REF	PART NO.	DESCRIPTION	COMMENTS
1	70257703	Overlay	S models; Text and icon
	70258003	Overlay	H models; Text and icon
	70304401	Overlay	N models; Text and icon
2	70413301	Pushbutton Switch	
3	70348801	Control Plate Assembly	
4	D501524	Screw	4 required
5	70054	Nut	4 required
6	44089501	Slot Card Plate Assembly	Included in literature packet
7	70208801	Mounting Plate	
8	70334201	Card Reader Overlay	Black; Included in literature packet
	70334301	Card Reader Overlay	Gray; Included in literature packet

Coin Drops

All Models Except U Models with All Control Suffixes Except CD, CX and CY



TMB3166P_70409201

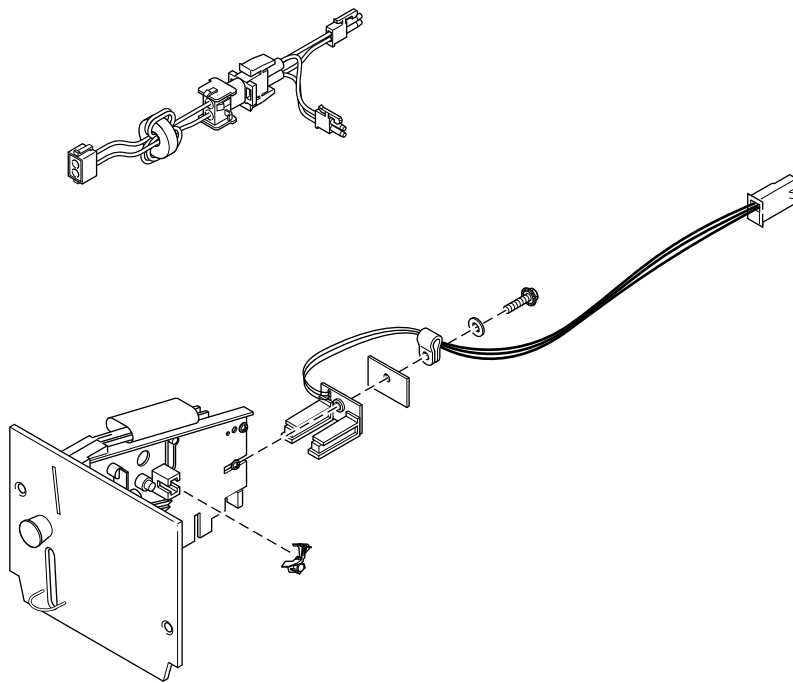
Coin Drops

REF	PART NO.	DESCRIPTION	COMMENTS
1	38725	Coin Identification Paper	
2	44065801	Electronic Coin Drop Harness	Included in CK502 Electronic Coin Drop Kit
3	70294103P	Electronic Coin Drop Assembly	United Kingdom (default) and Europe
	70294104	Electronic Coin Drop Assembly	Euro (default), Denmark and Norway
	70294105P	Electronic Coin Drop Assembly	Australian (default), New Zealand, Hong Kong, South Korea and Malaysia
	70294106	Electronic Coin Drop Assembly	Mexico (default), Ecuador and USA dollar
	70294116	Electronic Coin Drop Assembly	Malaysia (default), China, Russia and Singapore
	70294107	Electronic Coin Drop Assembly	Lithuania (default), Latvia and Europe
	70441601P	Coin Drop	USA; \$.25; Single
	70256402P	Coin Drop	USA; \$.25 and \$1.00; Dual
	70429001	Coin Drop	B models; USA
	38475	Coin Drop Assembly	Japan; 100 yen
	38519	Coin Drop Assembly	Japan; 100 and 500 yen
	38467	Coin Drop Assembly	Australia; .20 and 1.00
	39748	Coin Drop	Token; Jeton; CE models
	210195	Coin Drop Assembly	Euro; .20 and 1.00
	210196	Coin Drop Assembly	Euro; .50 and 1.00
	70283102	Coin Drop Assembly	Euro; .20 and .50
	70294111	Electronic Coin Drop Assembly	Euro; .10, .20, .50, 1.00 and 2.00
	38462P	Coin Drop Assembly	Token; 118-1
	38463	Coin Drop Assembly	Token; 118-5
	38464P	Coin Drop Assembly	Canada; .25
	70441602	Coin Drop Assembly	Canada; .25 and 1.00
	38472	Coin Drop Assembly	England; 20 pence and 1 pound
	38521	Coin Drop Assembly	Korea; 100 and 500 won
N/A	Coin Drop Assembly	New Zealand; .20 and 1.00	
38963P	Coin Drop	Token 118-16 not available; Replacement for 38963P Coin Drop only	
39157	Coin Drop Assembly	Israel; Shekel	
CK077	Coin Drop Kit	Taiwan; 10 NT	
70281102	Coin Drop Assembly	Taiwan; Dual drop	
4	200674P	Opto Coupler	
5	70286101P	Coin Drop Switch	B, C and I models
6	44039701P	Coin Drop Assembly	USA; \$.25; DO, DV, DX and RD control suffixes
	44039702	Coin Drop Assembly	Mexico; 2 peso; DO, DV, DX and RD control suffixes
	44039703	Coin Drop Assembly	Token; .880; DO, DV, DX and RD control suffixes
	44039704	Coin Drop Assembly	Japan; 100 yen; DO, DV, DX and RD control suffixes
	44039705	Coin Drop Assembly	England; 20 pence; DO, DV, DX and RD control suffixes
	44039706	Coin Drop Assembly	Token; .800; DO, DV, DX and RD control suffixes
	44039707	Coin Drop Assembly	England; 50 pence; DO, DV, DX and RD control suffixes
7	201595P	Wire Guard	

N/A = Part no longer available

Coin Drop Kits

All Models Except U Models with All Control Suffixes Except CD, CX and CY



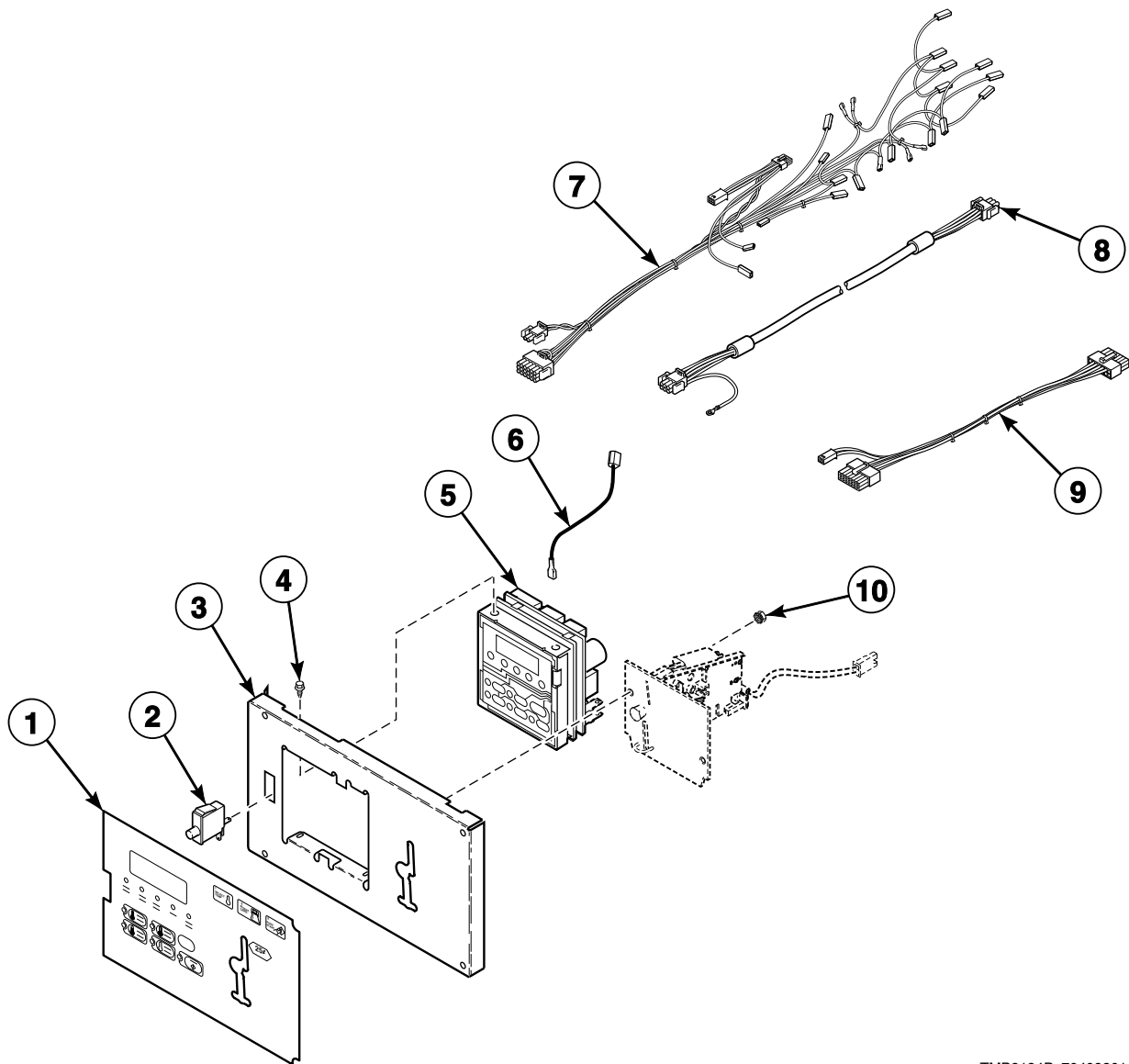
TMB2738PA_70409201

Coin Drop Kits

REF	PART NO.	DESCRIPTION	COMMENTS
CK502		Electronic Coin Drop Kit	Includes 44065801 Electronic Coin Drop Harness and wiring diagram supplement
CK115		Electronic Coin Drop Kit	USA and Canada; In addition to this kit, order CK502 Electronic Coin Drop Kit
CK099		Electronic Coin Drop Kit	Australia (default), New Zealand, Hong Kong, South Korea and Malaysia; In addition to this kit, order CK502 Electronic Coin Drop Kit
CK100		Electronic Coin Drop Kit	United Kingdom (default) and Europe; In addition to this kit, order CK502 Electronic Coin Drop Kit
CK101		Electronic Coin Drop Kit	Euro (default), Denmark and Norway; In addition to this kit, order CK502 Electronic Coin Drop Kit
CK103		Electronic Coin Drop Kit	Lithuania (default), Latvia and Europe; In addition to this kit, order CK502 Electronic Coin Drop Kit
CK108		Electronic Coin Drop Kit	South Africa; In addition to this kit, order CK502 Electronic Coin Drop Kit
CK109		Electronic Coin Drop Kit	Euro; In addition to this kit, order CK502 Electronic Coin Drop Kit
CK113		Electronic Coin Drop Kit	Japan and Taiwan; In addition to this kit, order CK502 Electronic Coin Drop Kit
CK116		Electronic Coin Drop Kit	Malaysia (default), China and Singapore; In addition to this kit, order CK502 Electronic Coin Drop Kit
CK117		Electronic Coin Drop Kit	Russia; In addition to this kit, order CK502 Electronic Coin Drop Kit
CK118		Electronic Coin Drop Kit	Philippine; In addition to this kit, order CK502 Electronic Coin Drop Kit

Coin Drop Components for NetMaster Models

H, K, L, P and S Models Except HT075D, ST075D and STF Models
Models with NC, NX, ZC and ZX Control Suffixes



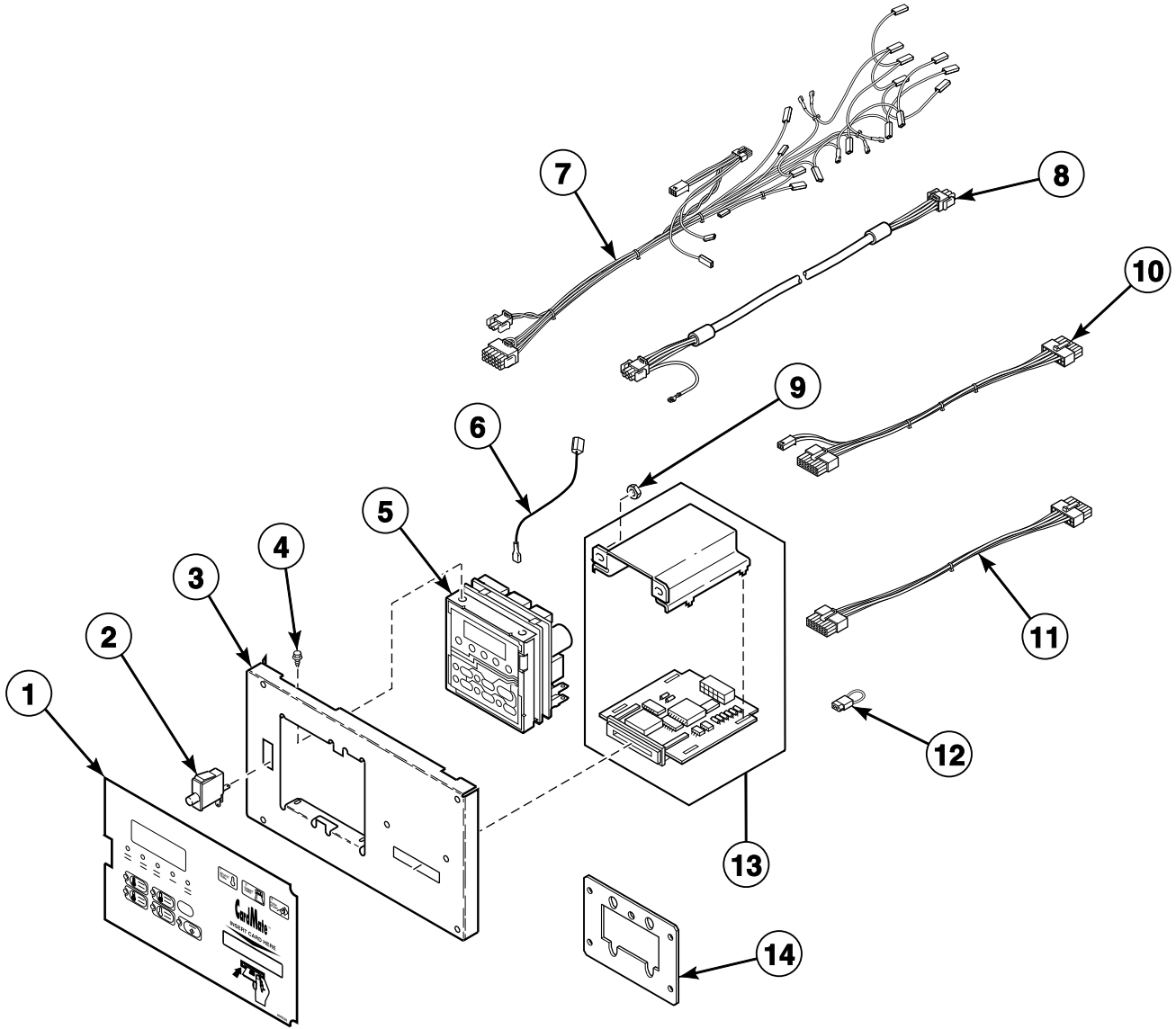
TMB2124P_70409201

Coin Drop Components for NetMaster Models

REF	PART NO.	DESCRIPTION	COMMENTS
	70291001P	Control Plate Kit	Includes items 3, 10 and 70292801 Washer
1	70184301	Overlay	S models; Single drop
	70184302	Overlay	S models; Dual drop
	70239601	Overlay	H models; Single drop
	70239602	Overlay	H models; Dual drop
	70129501	Overlay	P models; Single drop
	44144301	Overlay	K models; NC and NX control suffixes; Single drop
	44144302	Overlay	K models; NC and NX control suffixes; Dual drop
	44147801	Overlay	K models; Coin
2	70413301	Pushbutton Switch	
3	70419701	Control Plate Assembly	K models; NC and NX control suffixes
	70175807	Control Plate Assembly	All other models
4	D501524	Screw	4 required for mounting control
5	D505905P	Control Kit	
6	M412645	Jumper Wire Assembly	Ground wire
7	44010801P	Control Panel Harness	H, K, P and S non-CE models
	44010901	Control Panel Harness	H, K, P and S CE models
8	M414875P	Communication Cable	Models HT075L, HT075N, SA075L, SA075N, ST075E, ST075L, ST075N, ST075S and ST075T; ZC and ZX control suffixes
9	800217	Network Wire Harness Assembly	Models HT075L, HT075N, SA075L, SA075N, ST075E, ST075L, ST075N, ST075S and ST075T; ZC and ZX control suffixes
10	29786	Nut	2 required

Card Reader NetMaster Models

H, K, L, P and S Models Except HT075D, ST075D and STF Models
Models with NR, NY, ZR and ZY Control Suffixes



TMB1368P_70409201

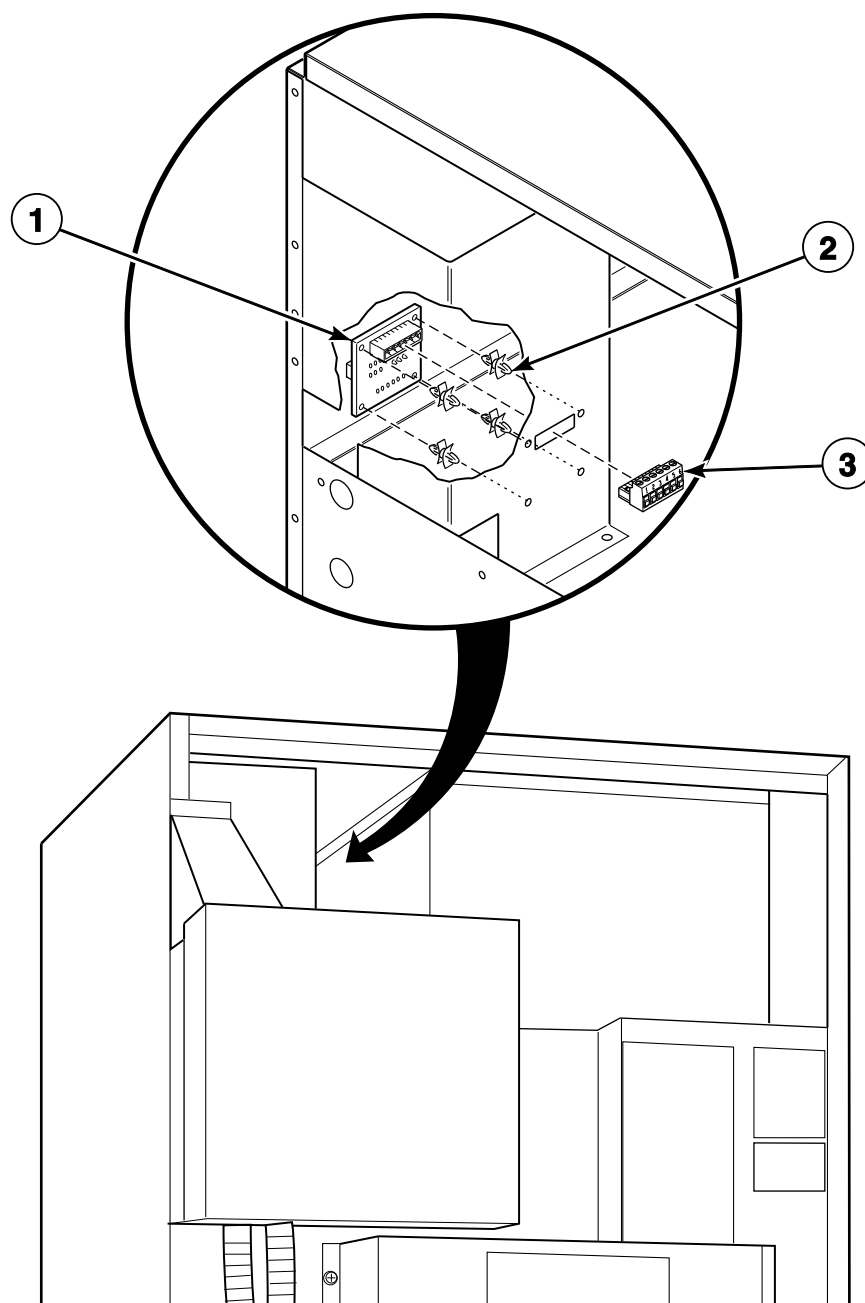
Card Reader NetMaster Models

REF	PART NO.	DESCRIPTION	COMMENTS
1	N/A	Overlay	ST and SU models; NY control suffix
	70184401	Overlay	S models; NR and ZR control suffixes
	N/A	Overlay	H models; NR and ZR control suffixes
	N/A	Overlay	HT and HU models; NY control suffix
	44149301	Overlay	K models; NY control suffix
2	70413301	Pushbutton Switch	
3	N/A	Control Plate Assembly	NR and ZR control suffixes
	70348801	Control Plate Assembly	Non-Australian models; NY control suffix
4	D501524	Screw	4 required
5	D505905P	Control Kit	Includes tape
6	M412645	Jumper Wire Assembly	Ground wire
7	44010801P	Control Panel Harness	H, K, L, P and S non-CE models
	44010901	Control Panel Harness	H, K, P and S CE models
8	M414875P	Communication Cable	Models HT075L, HT075N, SA075L, SA075N, ST075E, ST075L, ST075N, ST075S and ST075T; ZR control suffix
9	70054	Nut	2 required for models with NR and ZR control suffixes; 4 required for non-Australian models with NY control suffix
10	800217	Network Wire Harness Assembly	Models HT075L, HT075N, SA075L, SA075N, ST075E, ST075L, ST075N, ST075S and ST075T; ZR control suffix
11	70206601	Card Reader Network Harness Assembly	Models HT075L, HT075N, SA075L, SA075N, ST075E, ST075L, ST075N, ST075S and ST075T; ZR control suffix
	70211801	Card Reader Harness Assembly	NR control suffix
12	N/A	Bypass Jumper Wire	
13	D510068P	Card Reader and Bracket Assembly	NR and ZR control suffixes
14	70208801	Mounting Plate	Non-Australian models; NY control suffix

N/A = Part no longer available

Network Connection for NetMaster Models

Models with ZC, ZR, ZX and ZY Control Suffixes

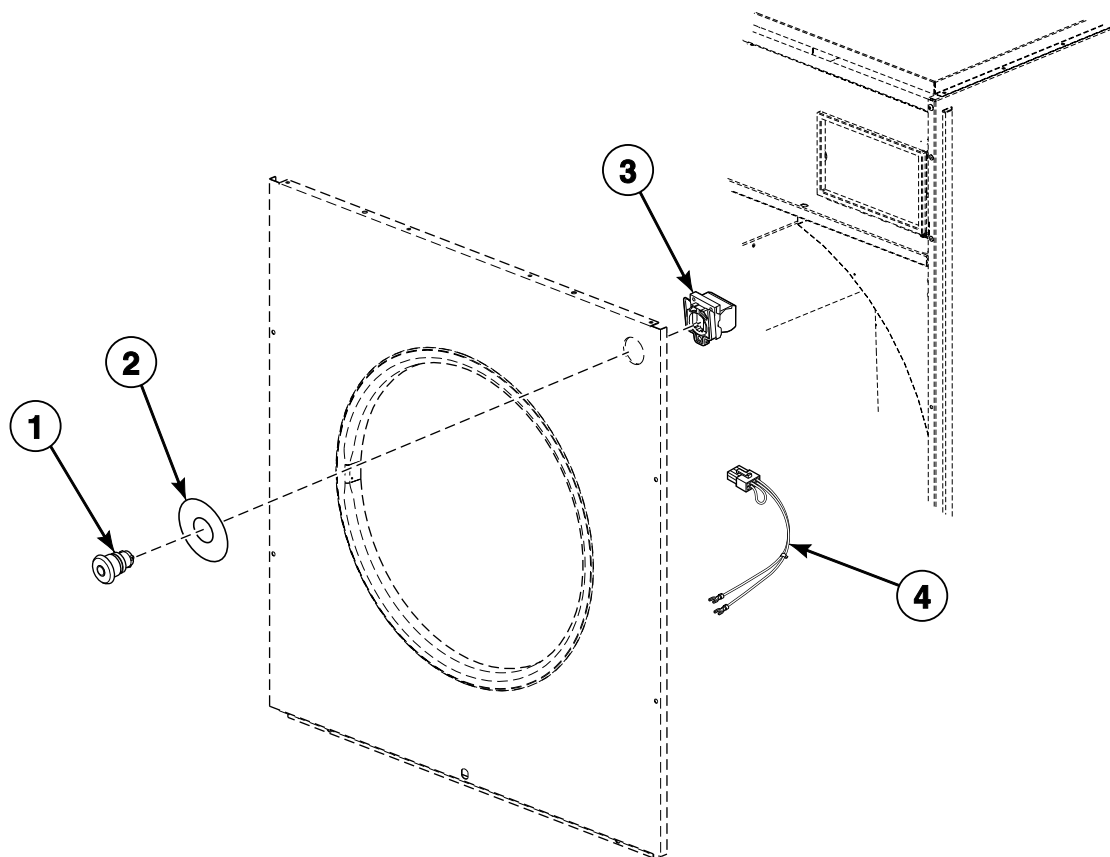


TMB2694P_70409201

Network Connection for NetMaster Models

REF	PART NO.	DESCRIPTION	COMMENTS
	210016P	Network Board Assembly	ZC, ZR and ZX control suffixes
	210157P	Network Board	For desktop PC
	210165	Network Cable	For laptop PC
	210097	Communication Board	
1	210095P	Communication Board	
2	210098	PC Board Standoff	4 required
3	210099	Communication Connector	

Emergency Stop Button - CE Models and Model UB075E



TMB2386P_70409201

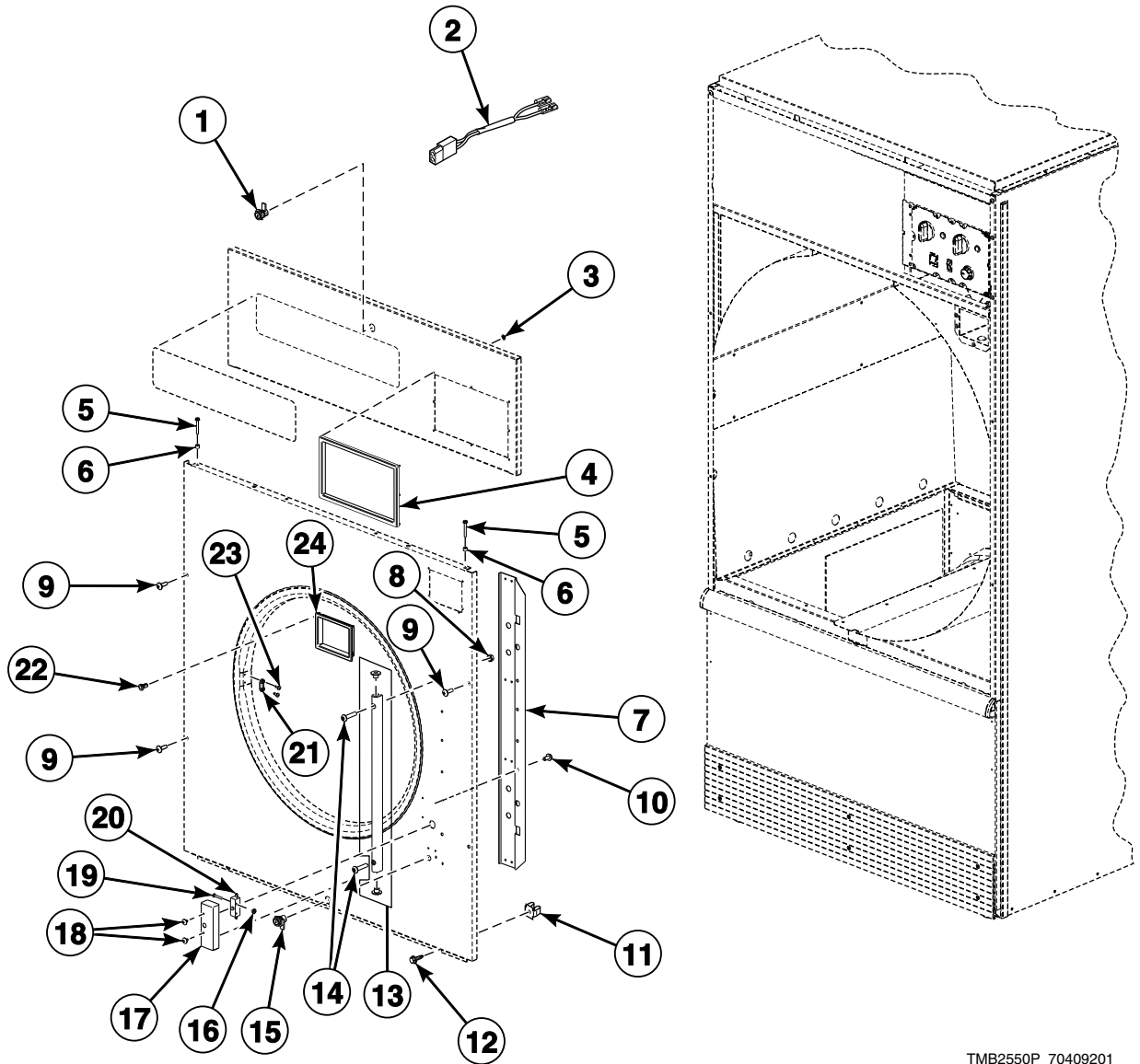
Emergency Stop Button - CE Models and Model UB075E

REF	PART NO.	DESCRIPTION	COMMENTS
	F200233700P	Emergency Stop Button Kit	To switch from old style button to new style button
1	44018801	Pushbutton	Models through 9/30/07
	F200233500	Emergency Stop Pushbutton	Models starting 10/1/07
2	44012901	Emergency Stop Label	
3	44018701	Contact Block	Models through 9/30/07
	44018901	Contact Block	All models except UB075E; Models through 9/30/07; Order in addition to 44018701 Contact Block on models with 3O and R3 control suffixes
	F200233401P	Contact Block Switch	Models starting 10/1/07 through 8/17/14
	F8069501	Contact Switch	All models except UB075E; Models starting 8/18/14
	F8538101	Contact Base	All models except UB075E; Models starting 8/18/14
4	70083901	Emergency Stop Switch Harness Assembly	Model UB075E; G models starting Serial No. 0707008006; K models; H, S and U models starting Serial No. 0308001308; B models starting Serial No. 0704000046
	44063201P	Front Panel Harness Assembly	B models; Models starting Serial No. 0704000046
	N/A	Emergency Stop Harness	B models; Models starting Serial No. 0704000046

N/A = Part no longer available

Cabinet Front Components (Drawing 1 of 2)

All Models Through Serial No. 0308001307; B and I Models Starting Serial No. 0308001308 Through Serial No. 0703023529;
C, L, P and Y Models Starting Serial No. 0308001308; G Models Through Serial No. 0110002231 and Starting Again
Serial No. 0707008006 Through Serial No. 0708020563; K Models Through Serial No. 0708020563



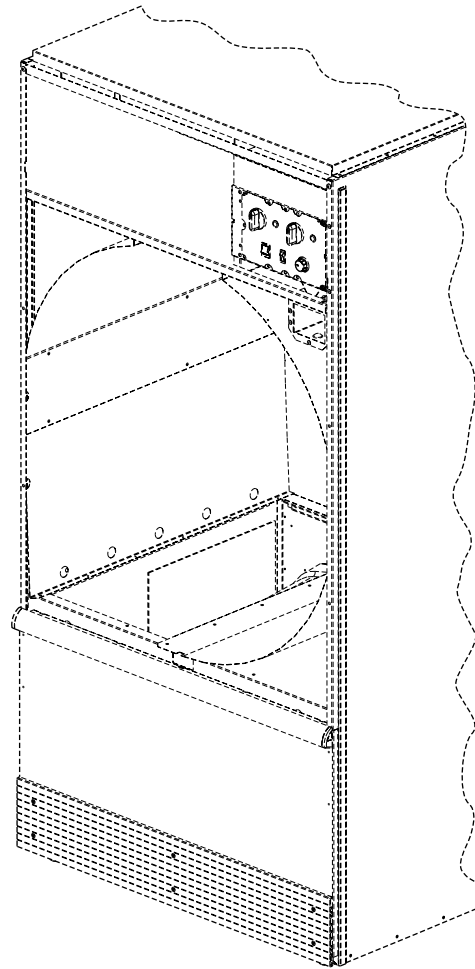
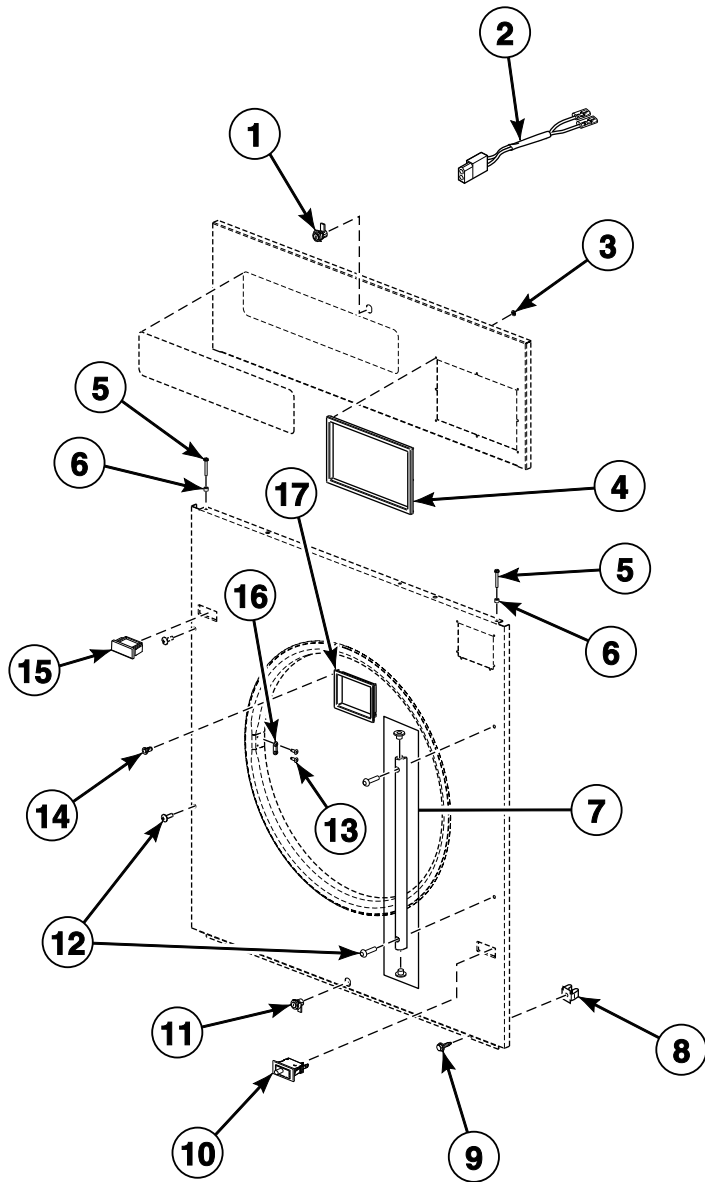
TMB2550P_70409201

Cabinet Front Components (Drawing 1 of 2)

REF	PART NO.	DESCRIPTION	COMMENTS
	M4379P4	Tumbler Dolly Kit	
1	44089301P	Lock, Key and Nut Kit	Control panel; RL001 key code; Optional if same key is to be used for control lock
	70155601	Key	RL001
2	44023001	Coin Vault Switch Harness	BC, BX, NC, NX, ZC and ZX control suffixes
3	M400977	Nut	Push; 8 required
4	44016301	Control Trim	H models
	44016401	Control Trim	All other models
5	70275801	Screw	
6	56079	Panel Locator	
7	44001801	Door Switch Wire Channel	Models through Serial No. 020802178
8	29786	Nut	
9	70033502	Screw	
	70182601	Screw	For stainless steel panel
10	44023301	Screw	
11	70030501	Expansion Clip	Upper and lower front panel attachment
12	M411072	Screw	6 required; For front panel
13	44035001	Door Hinge Lug Assembly	
14	70033504	Screw	
15	44089301P	Lock, Key and Nut Kit	Lint panel; RL001 key code; Optional if same key is to be used for control lock
	70155601	Key	RL001
	44089302P	Lock, Key and Nut Kit	Lint panel; RL002 key code; Standard coin and card models
	70155602	Key	RL002
16	02788	Nut	
17	44001301	Door Switch Cover	
18	431287	Screw	
19	M402574	Screw	
20	44018201	Door Switch	
21	M401223	Door Latch	
22	M400972	Shadow Box Clip	6 required for item 24
23	M400003	Pop Rivet	
24	70117501	Coin Vault Trim	H models
	70117502	Coin Vault Trim	B, C, G, I, K, L, P and S models

Cabinet Front Components (Drawing 2 of 2)

A, H, N, S and U Models Starting Serial No. 0308001308; B and I Models Starting Serial No. 0704000046;
G and K Models Starting Serial No. 0709000027



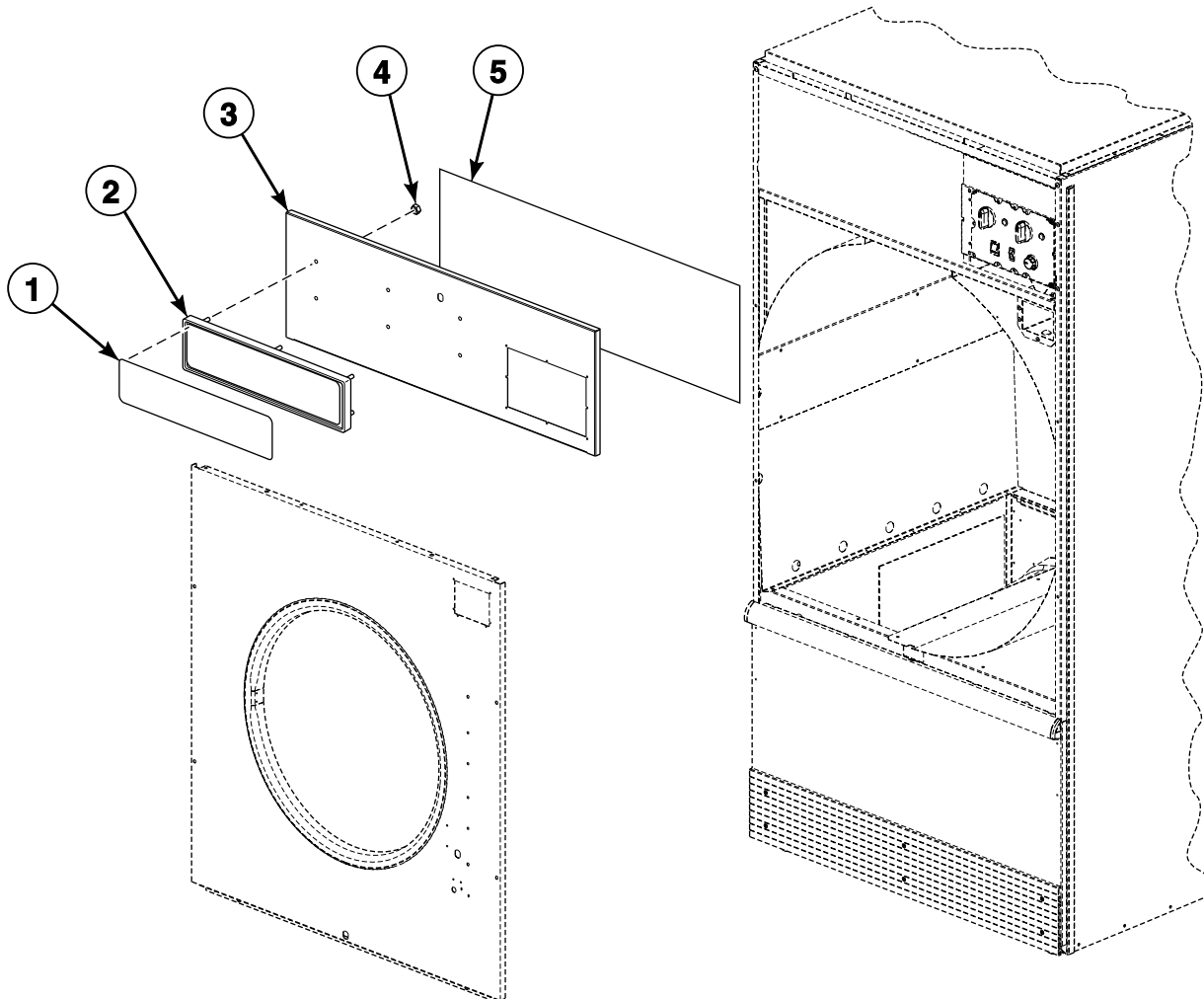
TMB2553P_70409201

Cabinet Front Components (Drawing 2 of 2)

REF	PART NO.	DESCRIPTION	COMMENTS
	M4379P4	Tumbler Dolly Kit	
1	44089301P	Lock, Key and Nut Kit	RL001 key code; Control panel; Optional if same key is to be used for control lock
	70155601	Key	RL001
2	44023001	Coin Vault Switch Harness	BC, BX, NC, NX, ZC and ZX control suffixes
3	M400977	Nut	8 required per control trim
4	44016301	Control Trim	H models
	44016401	Control Trim	A, G, K, S and U models
5	70275801	Screw	4 required
6	56079	Panel Locator	2 required
7	44035001	Door Hinge Lug Assembly	
8	70030501	Expansion Clip	
9	M411072	Screw	4 required; Front panel; Bottom
10	70413301	Pushbutton Switch	Door switch
11	44089301P	Lock, Key and Nut Kit	RL001 key code; Lint panel; Optional if same key is to be used for control lock
	70155601	Key	RL001
	44089302P	Lock, Key and Nut Kit	RL002 key code; Lint panel; Standard coin and card models
	70155602	Key	RL002
12	70033502	Screw	4 required for painted panels; 2 required for stainless steel panels in addition to 2 of 70182601 Screw
	70182601	Screw	2 required for stainless steel panels in addition to 2 of 70033502 Screw
13	M400003	Pop Rivet	2 per door latch; 1/8 inch
14	M400972	Shadow Box Clip	6 required
15	44057801W	Switch Hole Plug	White
	44057801Q	Switch Hole Plug	Bisque
	44057801B	Switch Hole Plug	Black; For stainless steel and turquoise models
16	M401223	Door Latch	2 required
17	70117501	Coin Vault Trim	H models; Gray
	70117502	Coin Vault Trim	A, G, K, S and U models; Black

Cabinet Panels and Nameplates (Drawing 1 of 2)

All Models Through Serial No. 0308001307; B and I Models Starting Serial No. 0308001308 Through Serial No. 0703023529;
C, L, P and Y Models Starting Serial No. 0308001308; G Models Through Serial No. 0110002231 and Starting Again
Serial No. 0707008006 Through Serial No. 0708020563; K Models Through Serial No. 0708020563



TMB2551P_70409201

Cabinet Panels and Nameplates (Drawing 1 of 2)

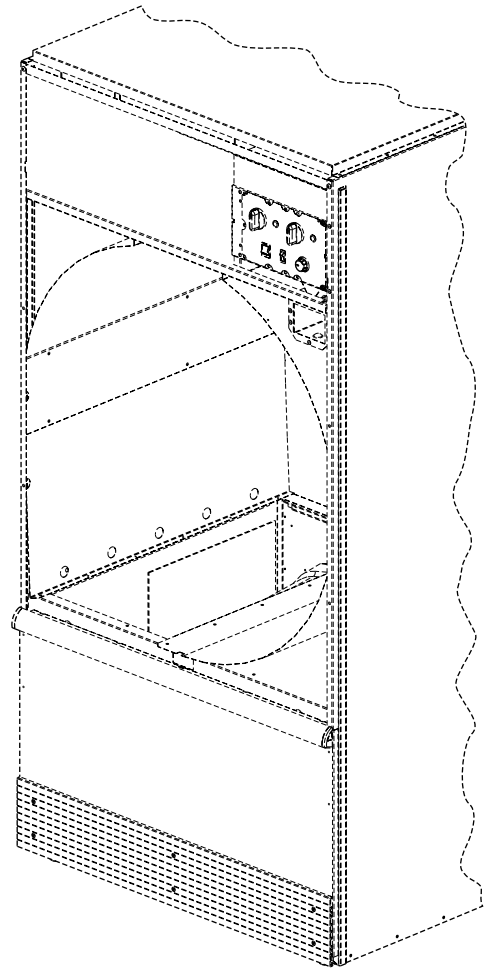
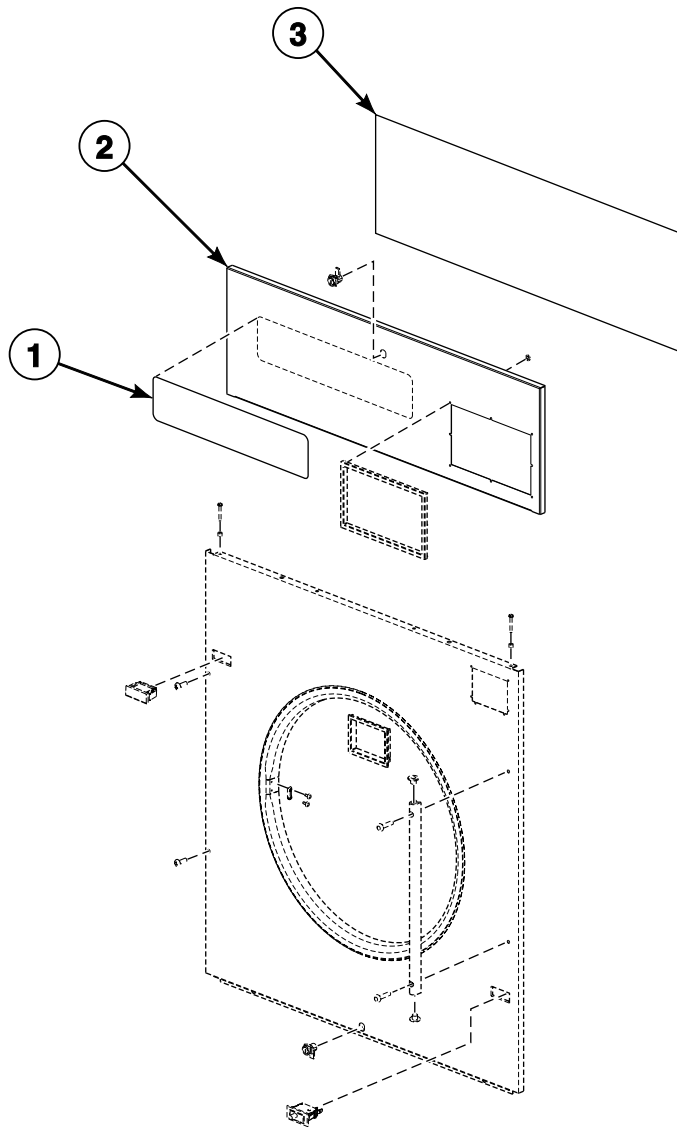
REF	PART NO.	DESCRIPTION	COMMENTS
1	44010401	Nameplate	H models
	44010601	Nameplate	S models
	N/A	Nameplate Overlay	A models
	M412963	Nameplate Overlay	U models
	70128901	Nameplate Overlay	P models
	70243901	Nameplate	L models
	44104501	Nameplate Overlay	Y models
	44062901	Nameplate	C models
	44046801	Nameplate	B and I models
	44130601	Nameplate Overlay	K models; BG, OM and RM control suffixes
	44144401	Nameplate Overlay	K models; NC and NY control suffixes
	70410201	Nameplate Overlay	G models; Models starting Serial No. 0707008006
	2	70117401	Nameplate Bezel
3	44000117*P	Control Panel	A, H, P, S and U models
	44000118P	Control Panel	A, H, P, S and U models; Stainless steel
	44000119*	Control Panel	GT and GU models; Models through Serial No. 0110002231
	N/A	Control Panel	GT and GU models; Models through Serial No. 0110002231; Stainless steel
	44000117BP	Control Panel	L models
	N/A	Control Panel	Y models
	N/A	Control Panel	Y models; Stainless steel
	44040001*P	Control Panel	B, C and I models; 3O, 3V, 3X, CD, MT, R3 and RT control suffixes; Manual
	44040002	Control Panel	B, C and I models; 3O, 3V, 3X, CD, MT, R3 and RT control suffixes; Manual; Stainless steel
	44040003*	Control Panel	B, C and I models; DO, DV and RD control suffixes; Electronic
	44040004	Control Panel	B, C and I models; DO, DV and RD control suffixes; Electronic; Stainless steel
	44040005*	Control Panel	G models starting Serial No. 0707008006; K models
	44040006	Control Panel	G models starting Serial No. 0707008006; K models; Stainless steel
4	M400977	Nut	L and P models
5	44020601	Insulation	Used inside access panel

* Add Letter To Designate Color. L - Almond P - Turquoise Q - Bisque W - White

N/A = Part no longer available

Cabinet Panels and Nameplates (Drawing 2 of 2)

A, H, N, S and U Models Starting Serial No. 0308001308; B and I Models Starting Serial No. 0704000046;
G and K Models Starting Serial No. 0709000027



TMB2554P_70409201

Cabinet Panels and Nameplates (Drawing 2 of 2)

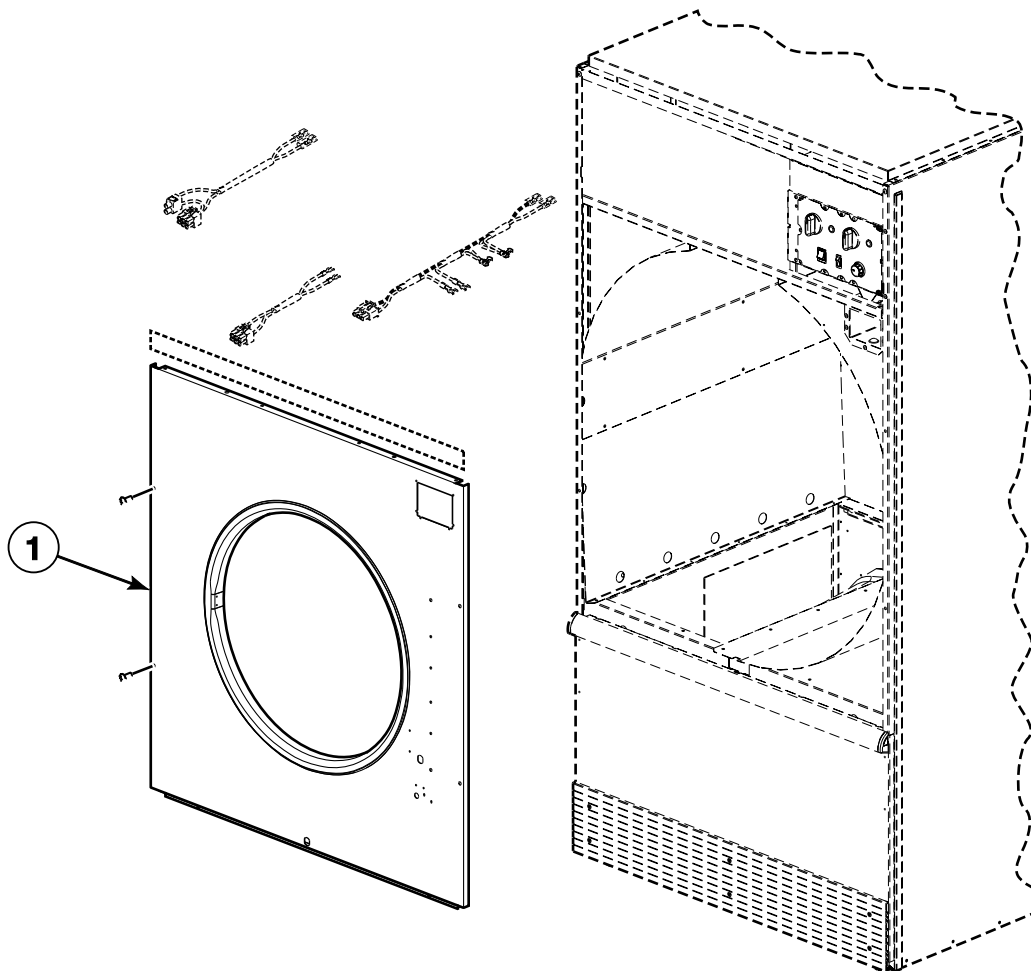
REF	PART NO.	DESCRIPTION	COMMENTS
1	44010401	Nameplate	H models
	44010601	Nameplate	S models
	N/A	Nameplate Overlay	A models
	M412963	Nameplate Overlay	U models
	44035801	Nameplate	N models
	44046801	Nameplate	B and I models
	70410201	Nameplate Overlay	G models
	44144401	Nameplate Overlay	K models
2	44040001*P	Control Panel	B and I models; 3O, 3V, 3X, CD, MT, R3 and RT control suffixes; Manual
	44040002	Control Panel	B and I models; 3O, 3V, 3X, CD, MT, R3 and RT control suffixes; Manual; Stainless steel
	44040003*	Control Panel	B and I models; DO, DV and RD control suffixes; Electronic
	44040004	Control Panel	B and I models; DO, DV and RD control suffixes; Electronic; Stainless steel
	44000117*P	Control Panel	All other models
	44000118P	Control Panel	All other models; Stainless steel
3	44020601	Insulation	Used inside access panel

* Add Letter To Designate Color. L - Almond Q - Bisque W - White

N/A = Part no longer available

Front Panel Assemblies (Drawing 1 of 3)

All Models Through Serial No. 0308001307; B and I Models Starting Serial No. 0308001308 Through Serial No. 0703023529;
C, L, P and Y Models Starting Serial No. 0308001308; G Models Through Serial No. 0110002231 and Starting Again
Serial No. 0707008006 Through Serial No. 0708020563; K Models Through Serial No. 0708020563



TMB2552PA_70409201

Front Panel Assemblies (Drawing 1 of 3)

REF	PART NO.	DESCRIPTION	COMMENTS
1	44077801*P	Front Panel Assembly	All models except UB075E with BC, BX, CD, CX, DV, NC, NX, SD, SX, ZC and ZX control suffixes through Serial No. 0308001307
	44077802P	Front Panel Assembly	All models except UB075E with BC, BX, CD, CX, DV, NC, NX, SD, SX, ZC and ZX control suffixes through Serial No. 0308001307; Stainless steel
	N/A	Front Panel Assembly	All models except UB075E with BL, BU, BY, CY, DV, NR, NY, ZR and ZY control suffixes through Serial No. 0308001307
	N/A	Front Panel Assembly	All models except UB075E with BL, BU, BY, CY, DV, NR, NY, ZR and ZY control suffixes through Serial No. 0308001307; Stainless steel
	44077805*P	Front Panel Assembly	Non-CE models except UB075E; Models through Serial No. 0308001307; DO, MT, OM, QT, RD, RM, RQ and RT control suffixes
	44077806P	Front Panel Assembly	Non-CE models except UB075E; Models through Serial No. 0308001307; DO, MT, OM, QT, RD, RM, RQ and RT control suffixes; Stainless steel
	44077811*P	Front Panel Assembly	CE models and model UB075E; Models through Serial No. 0308001307; DO, MT, OM, QT, RD, RM, RQ and RT control suffixes
	44077812	Front Panel Assembly	All CE models except UB075E; Models through Serial No. 0308001307; DO, MT, OM, QT, RD, RM, RQ and RT control suffixes; Stainless steel
	44077909*	Front Panel Assembly	B, C, I, L and P models starting Serial No. 0308001308; GT and GU models through Serial No. 0110002231; BC, BX, CD, CX, DV, NC, NX, SD, SX, ZC and ZX control suffixes
	44077910	Front Panel Assembly	B, C, I, L and P models starting Serial No. 0308001308; GT and GU models through Serial No. 0110002231; BC, BX, CD, CX, DV, NC, NX, SD, SX, ZC and ZX control suffixes; Stainless steel
	44077911*	Front Panel Assembly	B, C, I, L, P and Y models starting Serial No. 0308001308; GT and GU models through Serial No. 0110002231; BL, BU, BY, CY, DV, NR, NY, ZR and ZY control suffixes
	44077912	Front Panel Assembly	B, C, I, L, P and Y models starting Serial No. 0308001308; GT and GU models through Serial No. 0110002231; BL, BU, BY, CY, DV, NR, NY, ZR and ZY control suffixes; Stainless steel
	44077913*P	Front Panel Assembly	B, C, I, L, P and Y non-CE models starting Serial No. 0308001308; GA and GT models through Serial No. 0110002231 and starting again Serial No. 0707008006; KA and KT models; DO, MT, OM, QT, R3, RD, RM, RQ and RT control suffixes
	44077914	Front Panel Assembly	B, C, I, L, P and Y non-CE models starting Serial No. 0308001308; GA and GT models through Serial No. 0110002231 and starting again Serial No. 0707008006; KA and KT models; DO, MT, OM, QT, R3, RD, RM, RQ and RT control suffixes; Stainless steel
	44077915*P	Front Panel Assembly	B, C, L and P CE models starting Serial No. 0308001308; GU models through Serial No. 0110002231 and starting again Serial No. 0707008006; KU models; DO, MT, OM, QT, R3, RD, RM, RQ and RT control suffixes
	44077916	Front Panel Assembly	B, C, L and P CE models starting Serial No. 0308001308; GU models through Serial No. 0110002231 and starting again Serial No. 0707008006; KU models; DO, MT, OM, QT, R3, RD, RM, RQ and RT control suffixes; Stainless steel

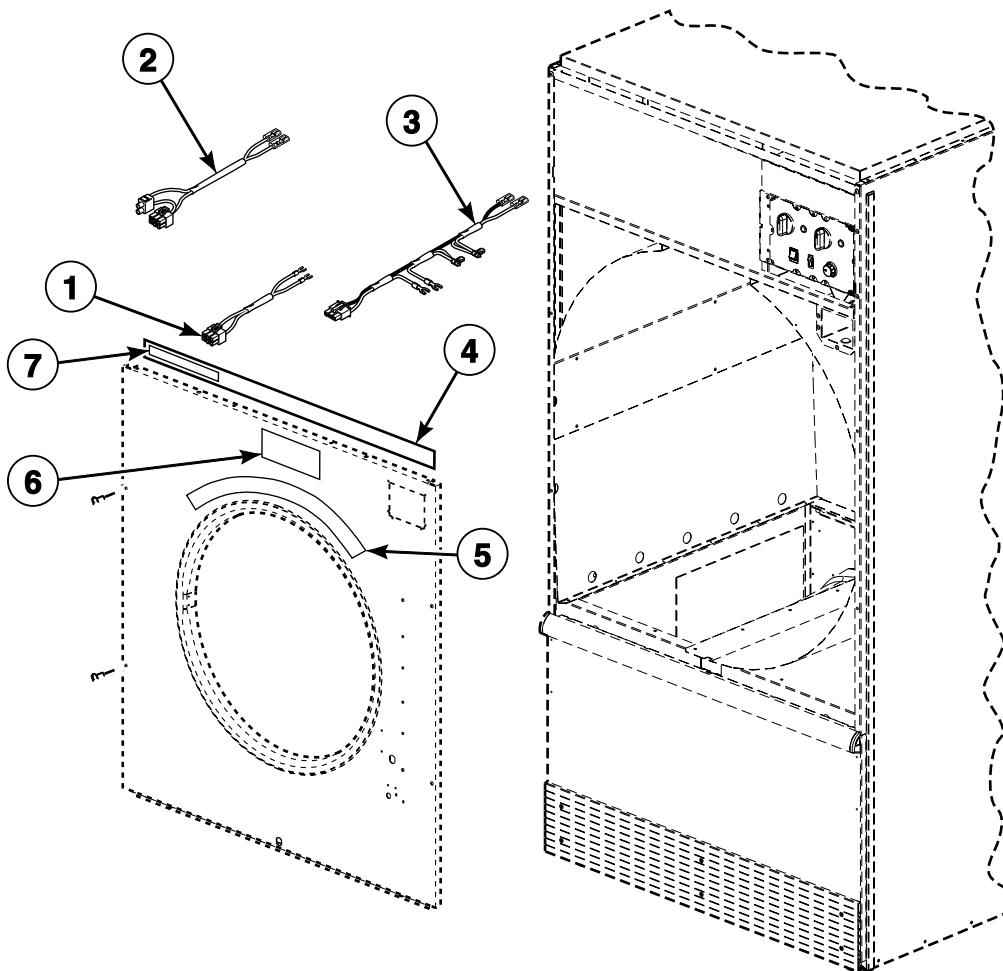
* Add Letter To Designate Color. L - Almond P - Turquoise Q - Bisque W - White

N/A = Part no longer available

NOTE: All front panel assemblies include M401223 Door Latch and 2 of M40003 Pop Rivet

Front Panel Assemblies (Drawing 2 of 3)

All Models Through Serial No. 0308001307; B and I Models Starting Serial No. 0308001308 Through Serial No. 0703023529;
C, L, P and Y Models Starting Serial No. 0308001308; G Models Through Serial No. 0110002231 and Starting Again
Serial No. 0707008006 Through Serial No. 0708020563; K Models Through Serial No. 0708020563



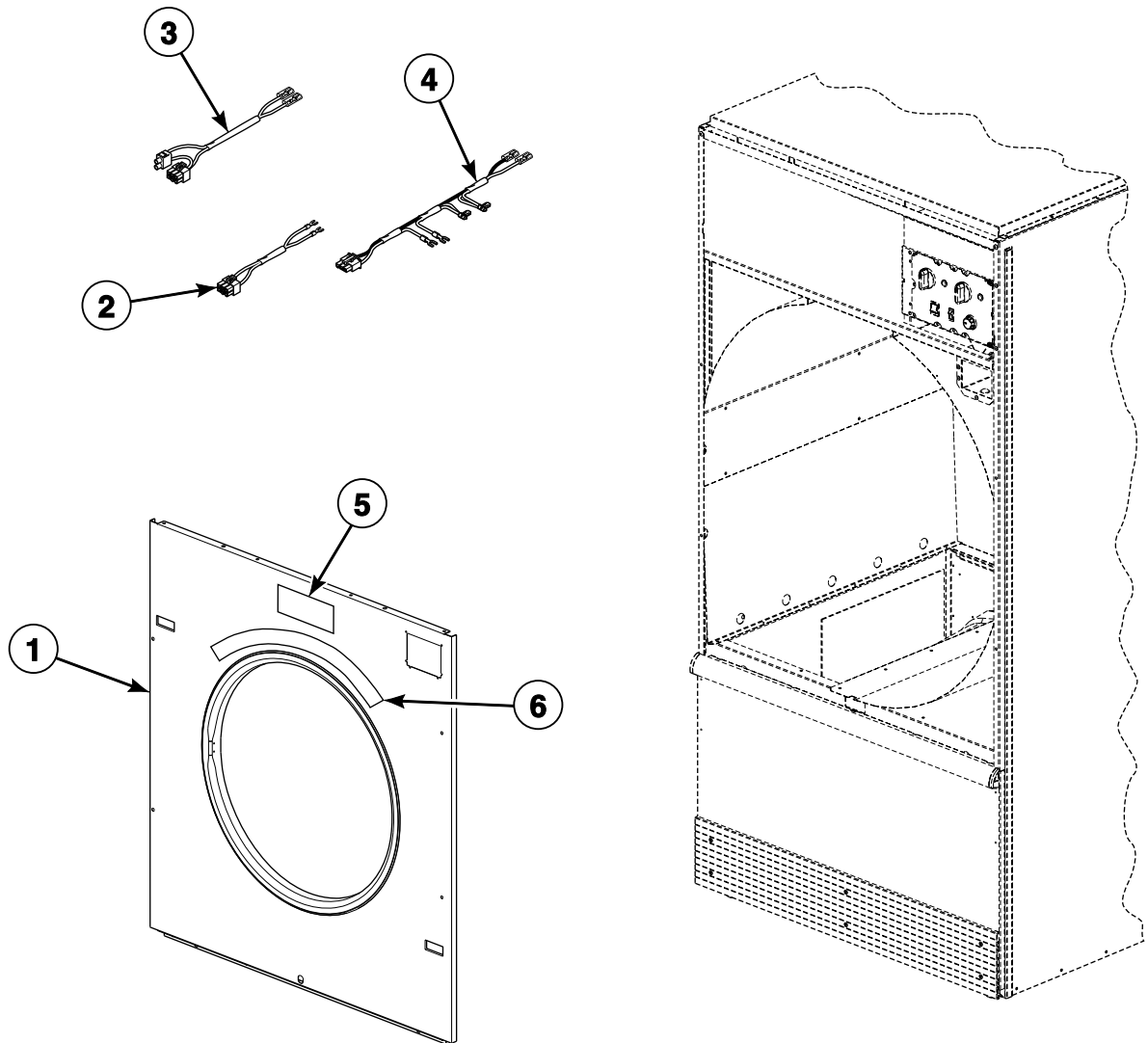
TMB2808P_70409201

Front Panel Assemblies (Drawing 2 of 3)

REF	PART NO.	DESCRIPTION	COMMENTS
1	70083901	Emergency Stop Switch Harness Assembly	Use with item 2
2	44063201P	Front Panel Harness Assembly	H, L, P, S and U CE models; GU models through Serial No. 0110002231; Use with item 1
3	44006901	Front Panel Harness	A, H, L, N, P, S, U and Y non-CE models; GT models through Serial No. 0110002231
	44007001P	Front Panel Harness	Non-coin; H, L, P, S and U CE models except UB075E; GU models through Serial No. 0110002231
	44047801	Front Panel Harness Assembly	B, C and I non-CE models; DO, MT, RD and RT control suffixes; Models without emergency stop
	44063101P	Front Panel Harness Assembly	A, H, L, N, P, S, U and Y non-CE models except UB075E; GT models through Serial No. 0110002231; Models without emergency stop
	44047901	Front Panel Harness Assembly	B and C CE models; DO, MT, RD and RT control suffixes
4	70399402	Access Panel Trim	G models starting Serial No. 0707008006; K models; Mounts over front panel assembly and control panel
5	M410892	Warning Label	
6	44128901	Fire Suppression System Label	G and K models
7	70414001	Label	K models

Front Panel Assemblies (Drawing 3 of 3)

A, H, N, S and U Models Starting Serial No. 0308001308; B and I Models Starting Serial No. 0704000046;
G and K Models Starting Serial No. 0709000027



TMB2809P_70409201

Front Panel Assemblies (Drawing 3 of 3)

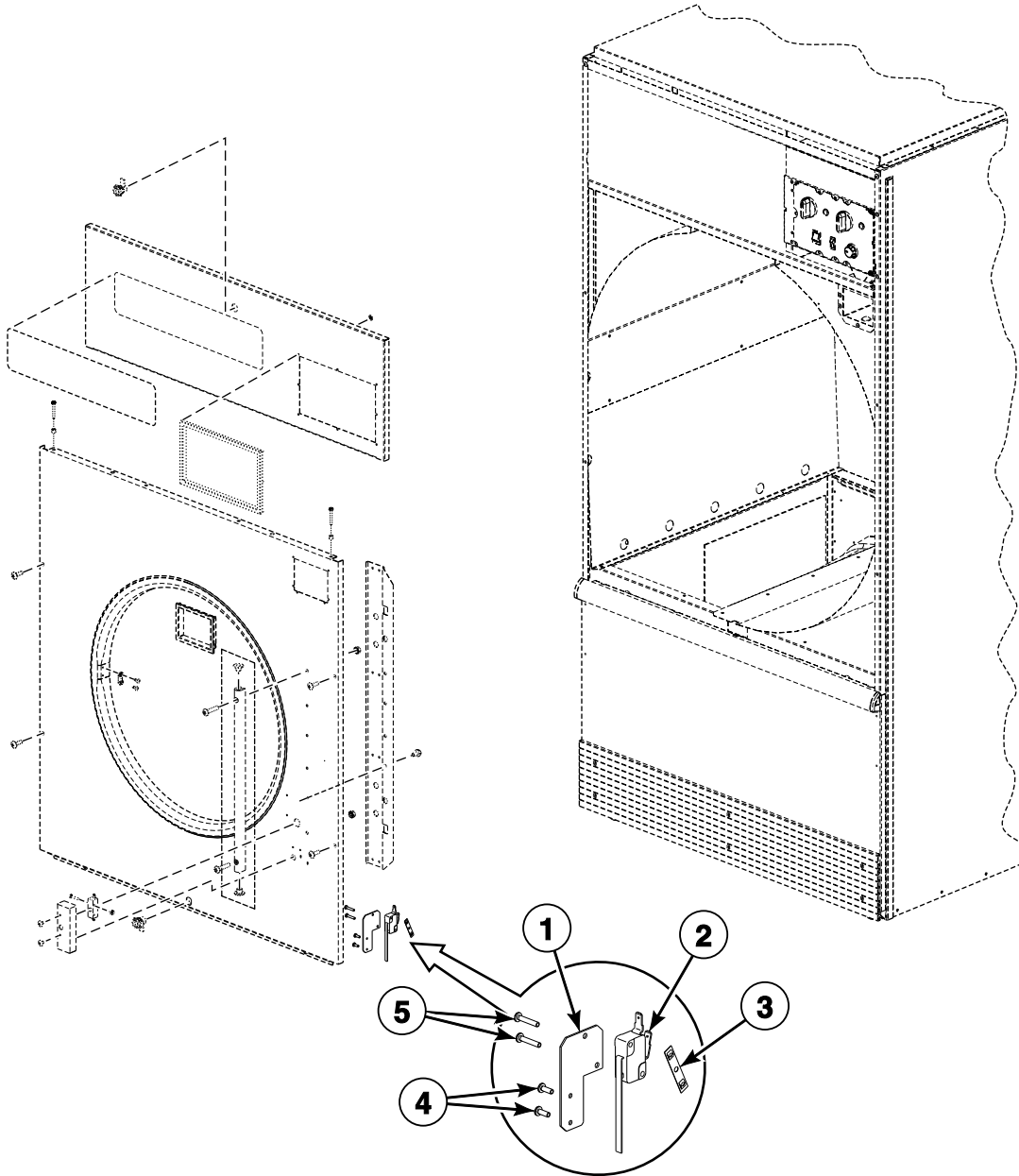
REF	PART NO.	DESCRIPTION	COMMENTS
1	44077901*P	Front Panel Assembly	All models except UB075E with BC, BX, CD, CX, NC, NX, SD, SX, ZC and ZX control suffixes
	44077902P	Front Panel Assembly	All models except UB075E with BC, BX, CD, CX, NC, NX, SD, SX, ZC and ZX control suffixes; Stainless steel
	44077903WP	Front Panel Assembly	All models except UB075E with BL, BU, BY, CY, NR, NY, ZR and ZY control suffixes
	44077904P	Front Panel Assembly	All models except UB075E with BL, BU, BY, CY, NR, NY, ZR and ZY control suffixes; Stainless steel
	44077905*P	Front Panel Assembly	Non-CE models except UB075E; BG, MT, OM, QT, RM, RQ and RT control suffixes
	44077906P	Front Panel Assembly	Non-CE models except UB075E; MT, OM, QT, RM, RQ and RT control suffixes; Stainless steel
	44077907*P	Front Panel Assembly	CE models and model UB075E; 3O, MT, OM, QT, R3, RM, RQ and RT control suffixes
	44077908P	Front Panel Assembly	All CE models except UB075E; 3O, MT, OM, QT, R3, RM, RQ and RT control suffixes; Stainless steel
2	70083901	Emergency Stop Switch Harness Assembly	Use with item 3
3	44063201P	Front Panel Harness Assembly	Use with item 2
4	44063101P	Front Panel Harness Assembly	All models except UB075E; Models without emergency stop
5	44128901	Fire Suppression System Label	G and K models
6	M410892	Warning Label	

* Add Letter To Designate Color. L - Almond P - Turquoise Q - Bisque W - White

NOTE: All front panel assemblies include M401223 Door Latch and 2 of M400003 Pop Rivet

Lint Panel Switch Assembly - Models Through Serial No. 020802177

All Models Except B, C, GA, I, K, LA and Thermal Oil Models

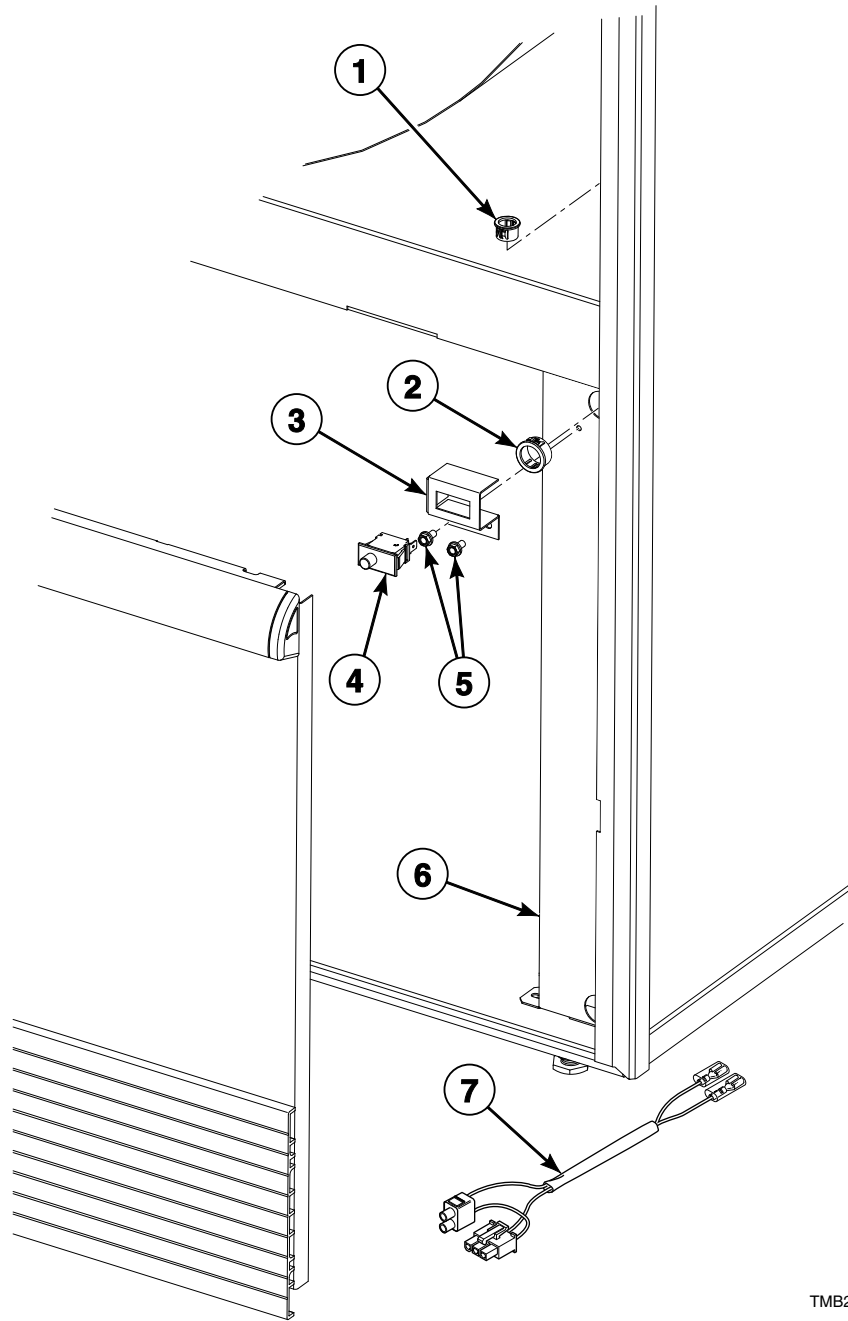


TMB2125P_70409201

Lint Panel Switch Assembly - Models Through Serial No. 020802177

REF	PART NO.	DESCRIPTION	COMMENTS
1	44011501	Lint Panel Switch Bracket	
2	44011601	Lever Arm Switch	
3	M400979	Nut	
4	51782	Screw	
5	M401938	Screw	

Lint Panel Switch Assembly - Models Starting Serial No. 020802178

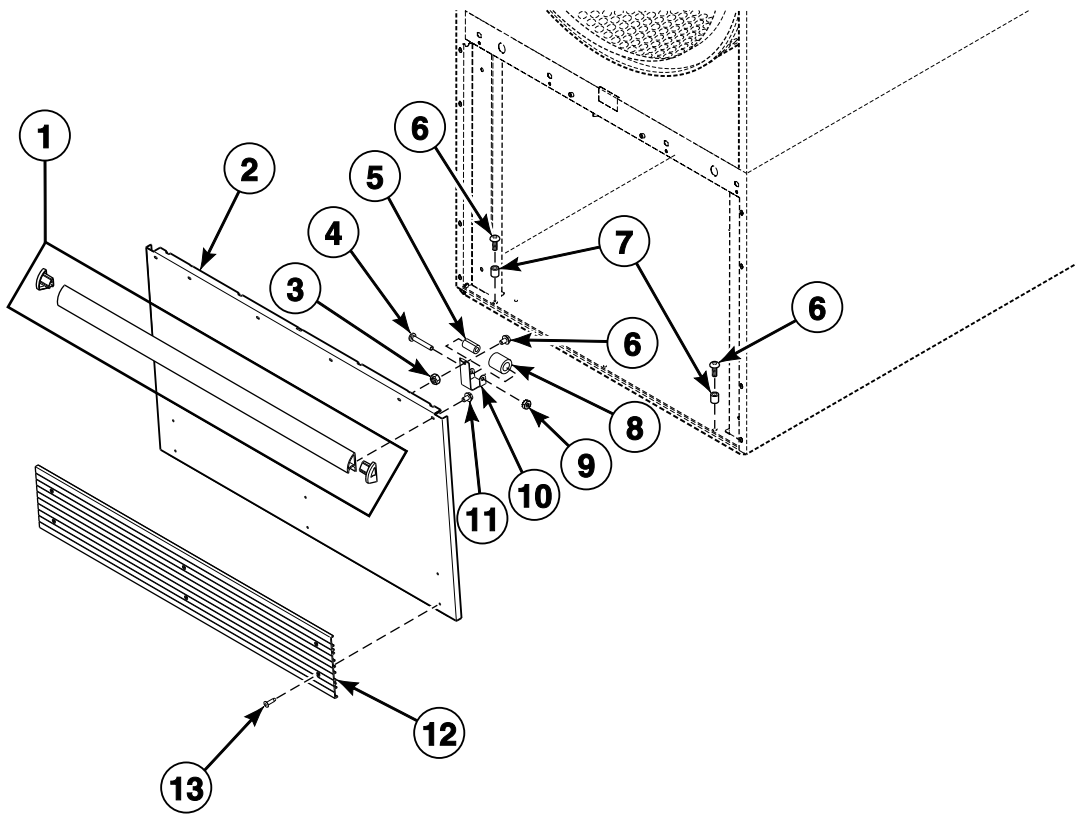


TMB2556P_70409201

Lint Panel Switch Assembly - Models Starting Serial No. 020802178

REF	PART NO.	DESCRIPTION	COMMENTS
1	M411826	Snap Bushing	
2	M400770	Snap Bushing	
3	44118601	Lint Panel Switch Bracket	
4	70413301	Pushbutton Switch	B, C and I models
	70413401	Switch Assembly	All other models
5	430497	Screw	
6	44001201	Front Pillar	
7	44048101P	Lint Panel Harness Assembly	

Lower Cabinet Front Components



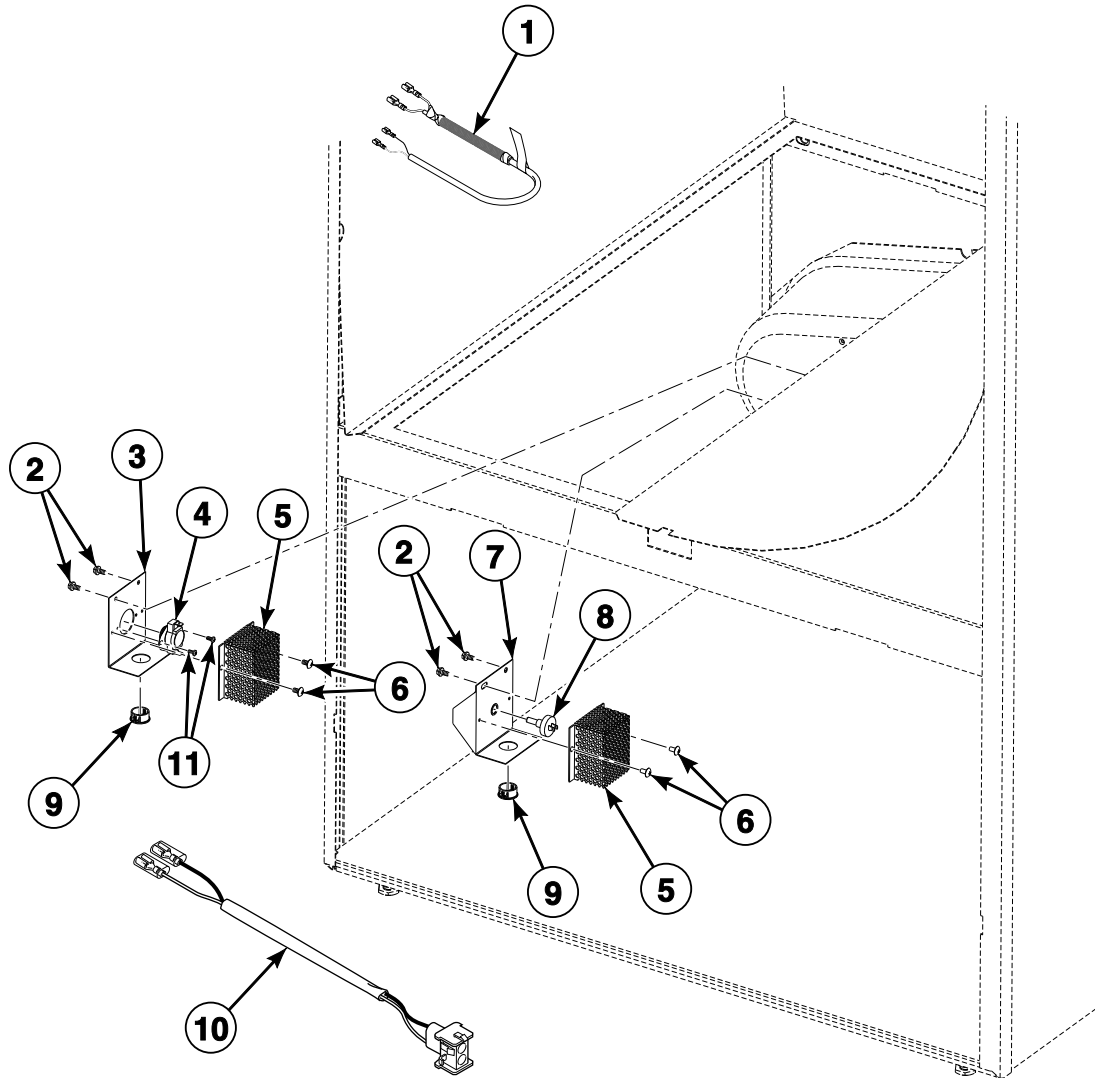
TMB2057P_70409201

Lower Cabinet Front Components

REF	PART NO.	DESCRIPTION	COMMENTS
	70114001	Clean Lint Compartment Sticker	Lint compartment must be cleaned daily
	70404001	Roller Bracket Assembly	Includes items 4, 5 and 8-10
1	70154405	Handle and Caps Assembly	A, B, C, I, L, P, S, U and Y models; Black; Includes endcaps
	70154406	Handle and Caps Assembly	GT and GU models through Serial No. 0110002231; H and N models; Gray; Includes endcaps
	70407202	Handle Bumper	G models starting Serial No. 0707008006; K models; Black and blue; Does not include endcaps
2	44000001WP	Lint Panel	
	44000002P	Lint Panel	Stainless steel
3	51236	Nut	
4	70072801	Screw	
5	70030201	Roller Catch Spacer	
6	70132301	Screw	
7	56079	Panel Locator	
8	70297601	Roller Catch Wheel	
9	23951	Nut	
10	70030301	Roller Catch Arm	
11	430757	Screw	4 required
12	70117607	Kickplate	A, B, C, I, K, L, P, S, U and Y models; G models starting Serial No. 0707008006; Black
	70117608	Kickplate	GT and GU models through Serial No. 0110002231; H and N models; Gray
13	70126301	Pop Rivet	A, B, C, I, K, L, P, S, U and Y models; G models starting Serial No. 0707008006; Black; 6 required
	70126401	Pop Rivet	GT and GU models through Serial No. 0110002231; H and N models; Gray; 6 required

* Add Letter To Designate Color. L - Almond Q - Bisque W - White

Cabinet Limit and Thermistor Assembly



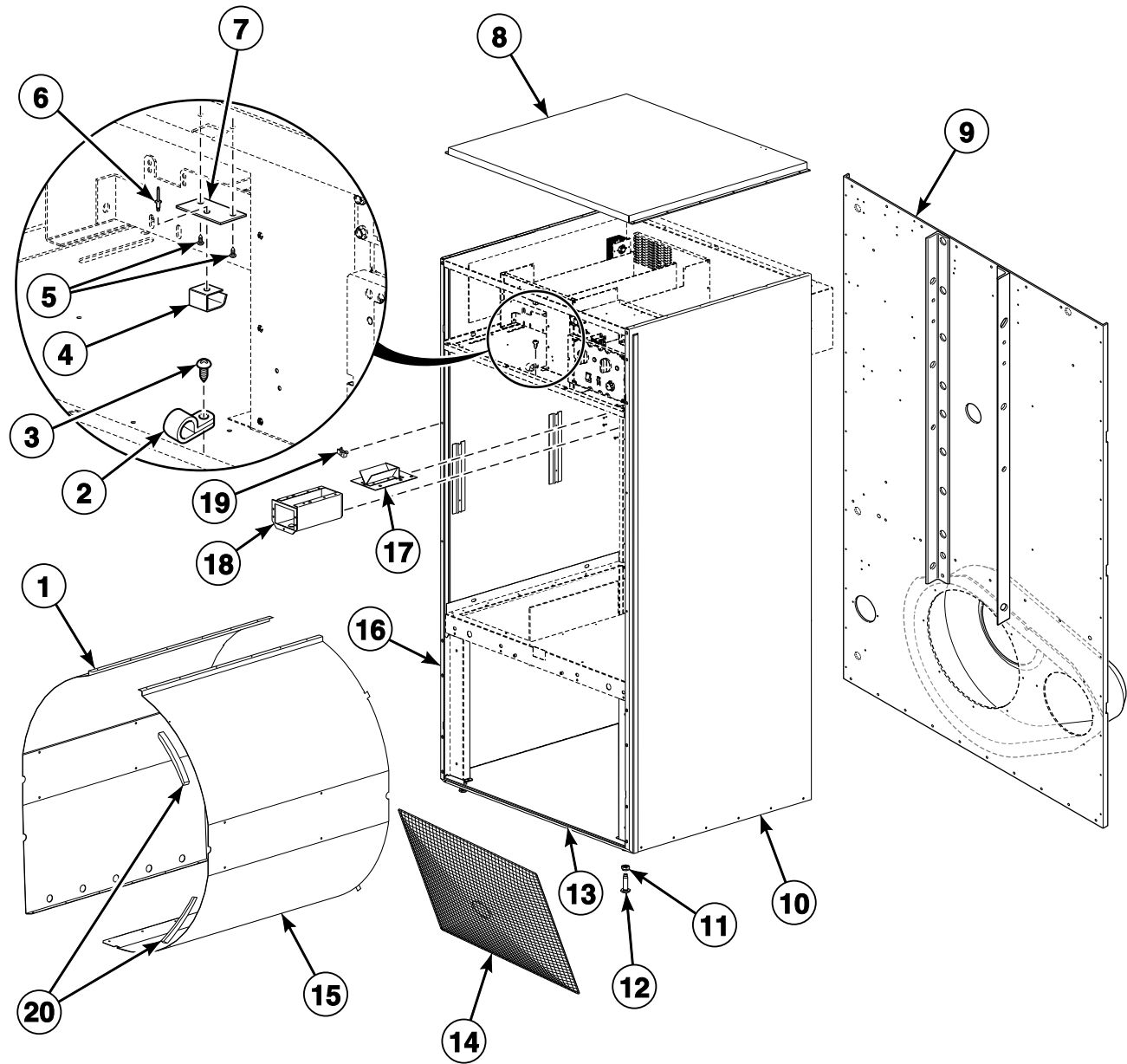
TMB2557P_70409201

Cabinet Limit and Thermistor Assembly

REF	PART NO.	DESCRIPTION	COMMENTS
1	M412670	Cabinet Limit Harness Assembly	GU electric and gas models through Serial No. 0110002231; C, H, L, P, S and U CE electric and gas models
	M413693P	Cabinet Limit Harness Assembly	A, C, H, K, L, N, P, S, U and Y non-CE electric and gas models; GA and GT electric and gas models through Serial No. 0110002231 and starting again Serial No. 0707008006
2	430497	Screw	Electric and gas models
3	M400838	Thermodisc Bracket	Electric and gas models
4	M411813	Limit Thermostat	Electric models
	M410542	Limit Thermostat	Non-CE and non-Australian gas models
	M411941	Manual Reset Thermostat	CE and Australian gas models
	N/A	Cabinet Limit Assembly	Steam models
5	M414477	Thermostat Cover	Electric and gas models
6	M400664	Screw	Electric and gas models
7	44051201	Thermistor Bracket Assembly	
8	M414704	Thermistor	
9	M400770	Snap Bushing	Electric and gas models
10	44319901P	Thermistor Cable	
11	M402797	Screw	Electric and gas models

N/A = Part no longer available

Cabinet Components



TMB2558P_70409201

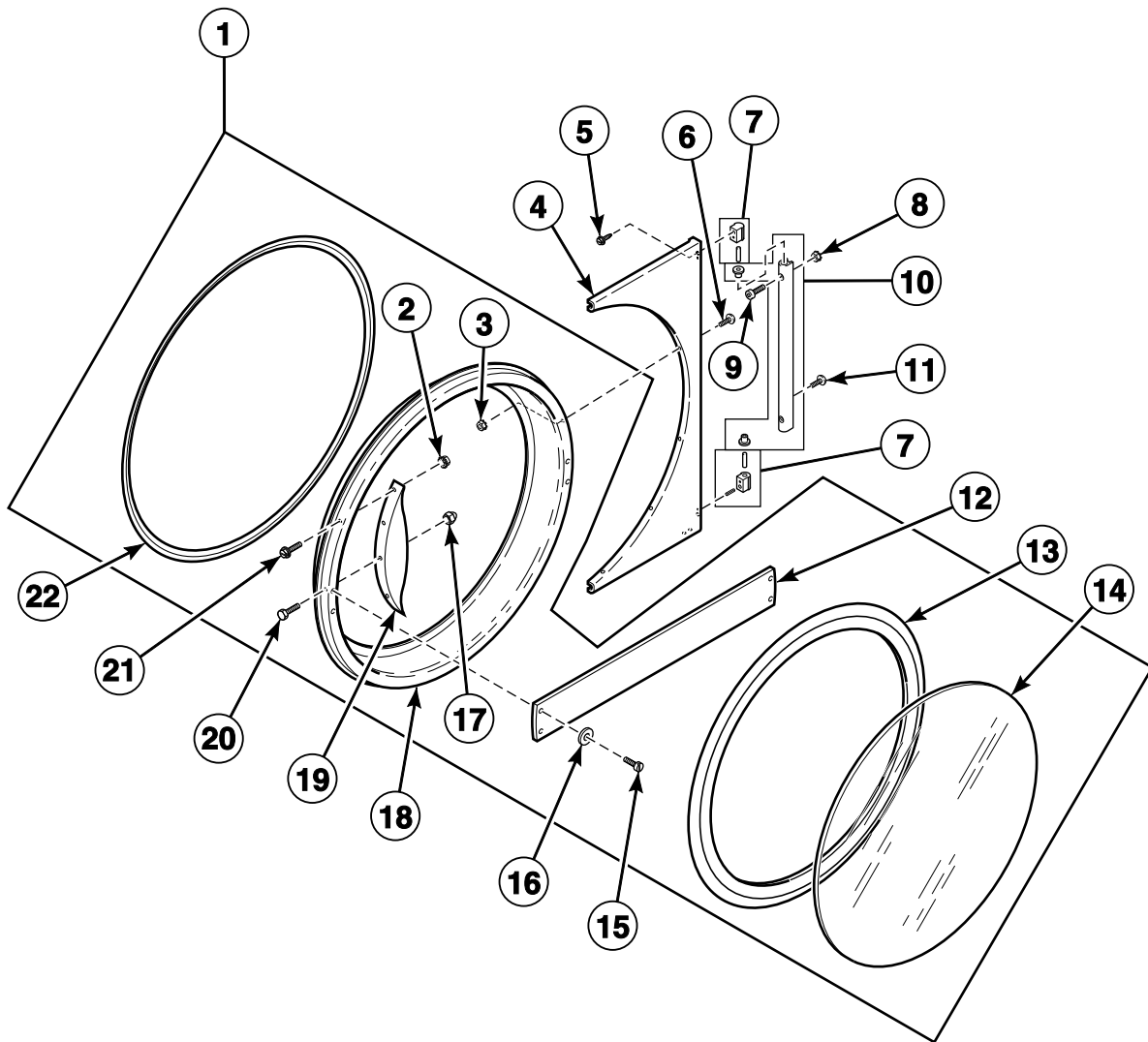
Cabinet Components

REF	PART NO.	DESCRIPTION	COMMENTS
	298P4P	Spray Paint	White
	297P4	Spray Paint	Almond
	381P4	Spray Paint	Bisque
	382P4	Spray Paint	Cream
	286P4	Spray Paint	Blue
	122P4P	Porcelain Touch-Up Paint	White
	215P4P	Porcelain Touch-Up Paint	Almond
	370P4P	Porcelain Touch-Up Paint	Bisque
	70058501	Pop Rivet	Use with items 10 and 16
	430497	Screw	Use with items 10 and 16
1	44005301P	Baffle	Left
2	M404550	Cable Screw Clamp	A, H, N, S and U models; Models starting Serial No. 0308001308
3	430497	Screw	A, H, N, S and U models; Models starting Serial No. 0308001308
4	431318	Control Door Latch	
5	431287	Screw	
6	M400003	Pop Rivet	
7	44003201	Latch Mounting Bracket	
8	M414676P	Top Cover Pan	Electric and gas models
	M414760	Top Cover	Steam models
9	M414747	Rear Panel Assembly	All models except STF75L, STF75N, UTF75L and UTF75N
10	44004701WP	Side Panel	Models through Serial No. 0308001307; Right
	44056702*P	Side Panel and Bracket Assembly	Models starting Serial No. 0308001308; Right
11	21899	Nut	Right
12	70247701	Screw	Leveling leg
13	44000701	Bottom Pan	
14	44063601	Lint Screen	
15	44005001P	Baffle	Right
	44065601P	Baffle	Right; Models equipped with fire suppression system
16	44004801*	Side Panel	Models through Serial No. 0308001307; Left
	44056802*	Side Panel and Bracket Assembly	Models starting Serial No. 0308001308; Left
17	70296401	Coin Chute Assembly	Wide; Includes 6 of 70058502 Pop Rivet
18	70180101	Coin Vault Assembly	Includes 5 of 70058502 Pop Rivet
19	70030401	Nut	U-clip
20	70015701	Baffle Gasket	

* Add Letter To Designate Color. L - Almond Q - Bisque W - White

Door and Hinge Components (Drawing 1 of 2)

A, H, S and U Models Through Serial No. 0308001307;
C, L, N, P and Y Models; B and I Models Through Serial No. 0703023529;
G Models Through Serial No. 0110002231 and Starting Again Serial No. 0707008006 Through Serial No. 0708020563;
K Models Through Serial No. 0708020563



TMB2631P_70409201

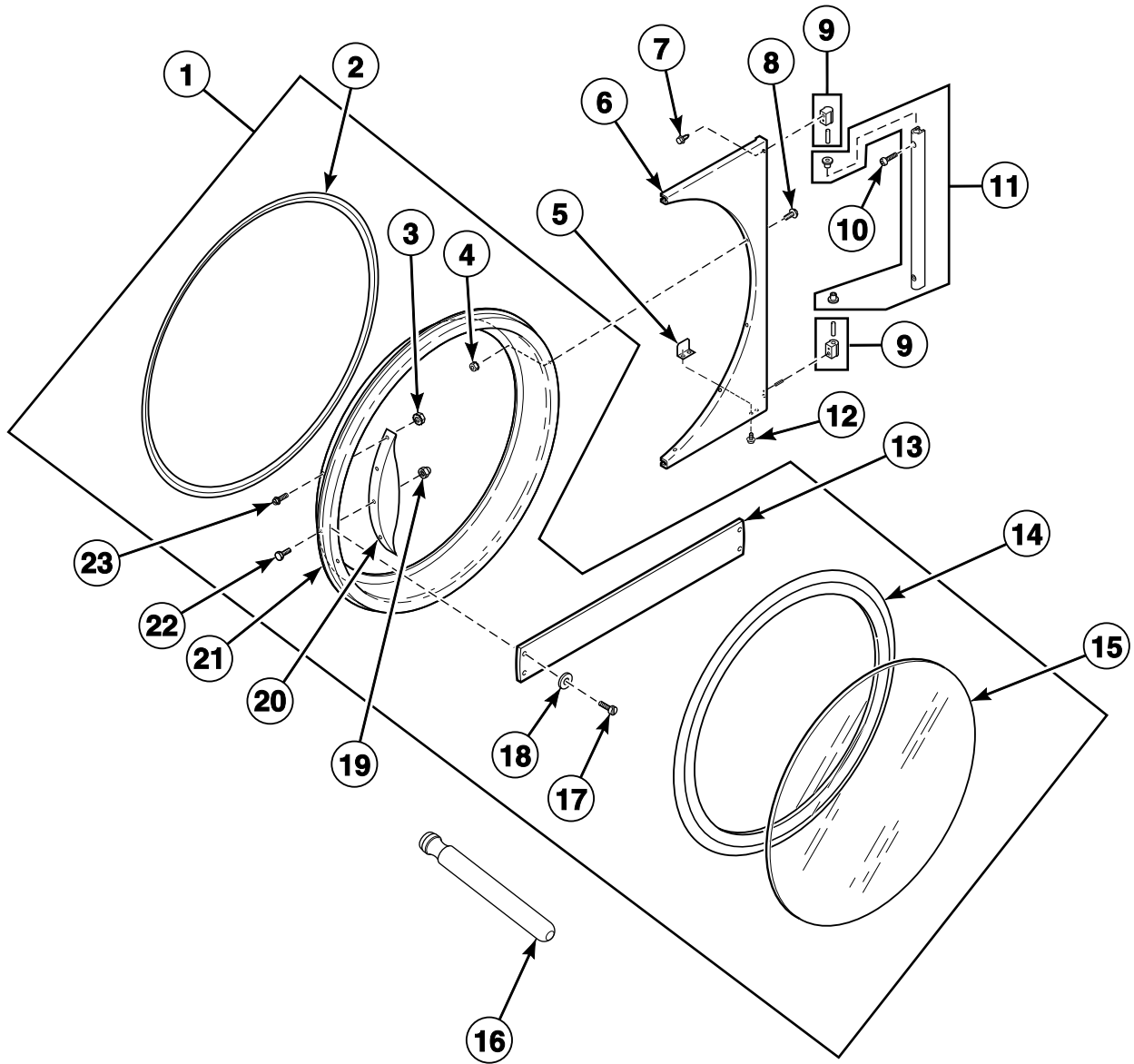
Door and Hinge Components (Drawing 1 of 2)

REF	PART NO.	DESCRIPTION	COMMENTS
	M4221P4	Door Glass Installation Tool	
1	70212300	Door Assembly	S and U models; Excludes hinge
	44058001P	Door Assembly	H models; Excludes hinge
	70176503	Door Assembly	L models; Excludes hinge
	70212200	Door Assembly	A, N, P and Y models; GT and GU models through Serial No. 0110002231; Excludes hinge
	44046701	Door Assembly	B, C and I models; Excludes hinge
	70408901	Door Assembly	G models starting Serial No. 0707008006; K models; Excludes hinge
2	44071201	Nut	H, S and U models; 4 required
3	23951	Nut	6 required
4	70115903B	Door Hinge	G models starting Serial No. 0707008006; K models; black
	70115901*	Door Hinge	All other models
	70115902	Door Hinge	All other models; Stainless steel
5	70442101	Screw	3 required, 2 in top cam and 1 in bottom cam
6	M400044	Screw	6 required
7	70436202	Door Hinge Cam Assembly	G models starting Serial No. 0707008006; K models
	M4772P3	Cam and Hinge Kit	All other models
8	29786	Nut	2 required
9	70409801	Screw	G models starting Serial No. 0707008006; K models; 2 required
	70033504	Screw	All other models; 2 required
10	44035002	Door Hinge Lug Assembly	G models starting Serial No. 0707008006; K models; Includes bushings
	44035001	Door Hinge Lug Assembly	All other models; Includes bushings
11	44023301	Screw	4 required
12	70399502B	Handle Bar	G models starting Serial No. 0707008006; K models
13	70211901P	Door Glass Seal Kit	
14	70133601P	Door Glass	H models
	M400784P	Door Glass	All other models
15	70126301	Pop Rivet	G models starting Serial No. 0707008006; K models; 4 required
16	70409301	Washer	G models starting Serial No. 0707008006; K models; 2 required
17	M414215	Nut	
18	44043501	Door Ring and Handle Assembly	B, C and I models; Includes straight-edged door handle
	70543901	Door Ring Assembly	H, S and U models
	70505703	Door Ring Assembly	A, N, P and Y models; GT and GU models through Serial No. 0110002231
	70505707B	Door Ring	G models starting Serial No. 0707008006; K models; Includes straight-edged door handle
19	430117	Door Handle	L models
	44057701	Door Handle	H models; Order 70133501P Replacement Door Handle Kit
	44007902P	Door Handle	S and U models
	M400133	Door Handle	A, N, P and Y models; GT and GU models through Serial No. 0110002231
20	M400661	Screw	Door strike
21	61199	Screw	All models except B, C, I and L models
	430756	Screw	L models; 2 required
	M402585	Screw	L models; 1 required
	M409385	Screw	A and P models; GT and GU models through Serial No. 0110002231; 2 required
22	70296801	Door Ring Gasket	Notched

* Add Letter To Designate Color. L - Almond Q - Bisque W - White

Door and Hinge Components (Drawing 2 of 2)

A, H, N, S and U Models Starting Serial No. 0308001308; B and I Models Starting Serial No. 0704000046;
G and K Models Starting Serial No. 0709000027



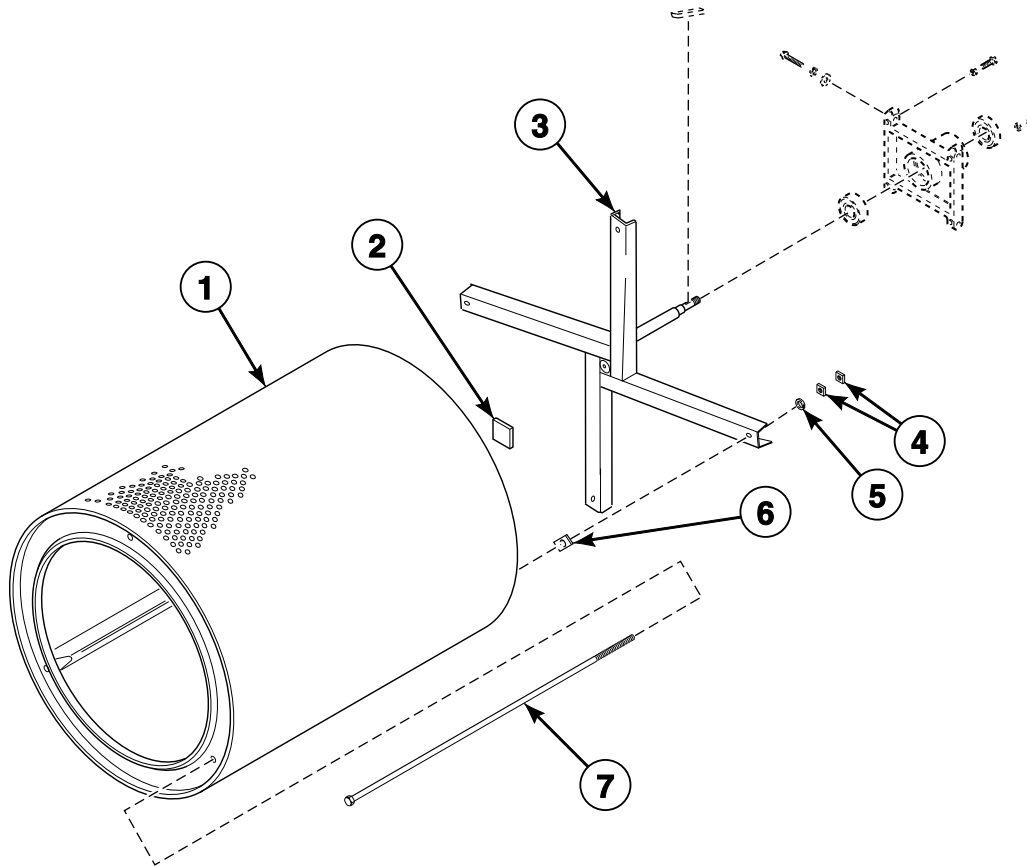
TMB2695P_70409201

Door and Hinge Components (Drawing 2 of 2)

REF	PART NO.	DESCRIPTION	COMMENTS
1	44086801P	Door Assembly	N models
	44058102P	Door Assembly	H models
	44028902P	Door Assembly	S and U models
	N/A	Door Assembly	A models
	44112101	Door Assembly	B and I models
	70407401	Door Assembly	G and K models
2	44008201P	Door Ring Gasket	
3	44071201	Nut	H, S and U models; 4 required
4	23951	Nut	6 required
5	70215001P	Door Switch Actuator Kit	
6	44075208B	Door Hinge Assembly	G and K models
	44075203*	Door Hinge Assembly	All other models
	44075204	Door Hinge Assembly	All other models; Stainless steel
7	70442101	Screw	3 required
8	M400044	Screw	6 required
9	44035102	Door Hinge Cam Assembly	G and K models; Upper
	70436202	Door Hinge Cam Assembly	G and K models
	M4772P3	Cam and Hinge Kit	All other models
10	70409801	Screw	G and K models; 2 required
	70033502	Screw	All other models; 2 required
11	44035002	Door Hinge Lug Assembly	G and K models
	44035001	Door Hinge Lug Assembly	All other models; Includes bushings
12	70058501	Pop Rivet	2 required
13	70399501B	Handle Bar	G and K models
14	70211902P	Door Seal Kit	
15	44008402P	Door Glass	H models
	44008401P	Door Glass	All other models
16	M4221P4	Door Glass Installation Tool	
17	70126301	Pop Rivet	G and K models; 4 required
18	70409301	Washer	G and K models; 2 required
19	M414215	Nut	
20	44057702	Door Handle	H and N models
	44007901	Door Handle	S and U models
	M400133	Door Handle	A models
21	44112001	Door Ring and Handle Assembly	B and I models
	44007703B	Door Ring	G and K models
22	M400661	Screw	Door strike
23	61199	Screw	H, N, S and U models; 4 required
	M409385	Screw	A models; 2 required

* Add Letter To Designate Color. L - Almond Q - Bisque W - White
 N/A = Part no longer available

Cylinder and Trunnion Components



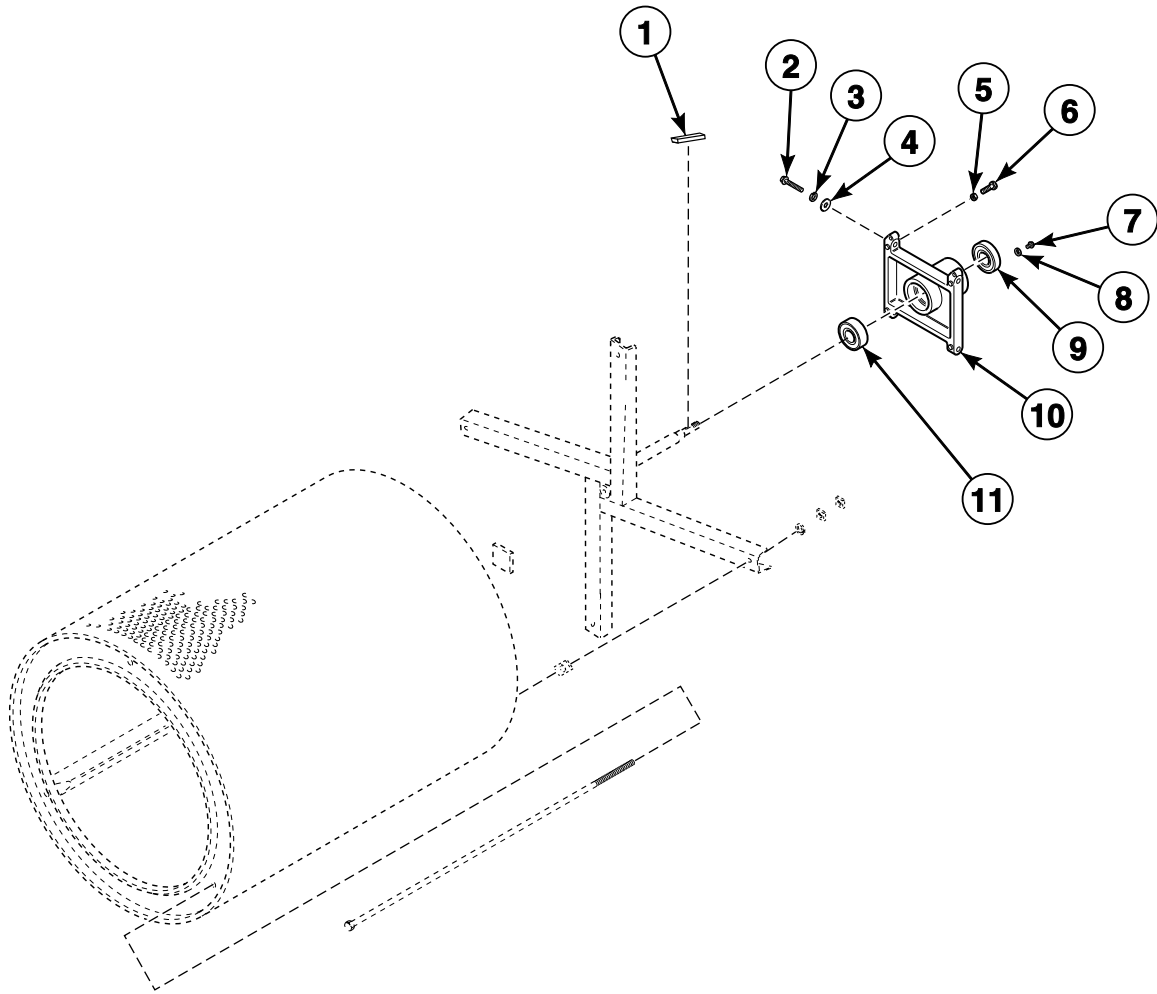
TMB2123P_70409201

Cylinder and Trunnion Components

REF	PART NO.	DESCRIPTION	COMMENTS
1	M401985P	Cylinder	Galvanized; A, H, S and U models through Serial No. 0308001307; B, C, I, L and P models; GT and GU models through Serial No. 0110002231
	M402517P	Cylinder	Stainless steel; A, H, S and U models through Serial No. 0308001307; B, C, I, L and P models; GT and GU models through Serial No. 0110002231
	44057201P	Cylinder Kit	Galvanized; A, H, N, S and U models starting Serial No. 0308001308
	44057301P	Cylinder Kit	Stainless steel; A, H, N, S and U models starting Serial No. 0308001308
	44079901P	Cylinder Assembly	Stainless steel; U models with the 11th character of R; Requires 82 of 70058501 Pop Rivet
	44130702P	Cylinder Assembly	G models starting Serial No. 0707008006; K models
2	M402144	Felt Pad	
3	44261801	Trunnion Assembly	Spider; Nonreversing; Includes nut; Models through Serial No. 030101089
	44036801P	Trunnion Assembly	Spider; Nonreversing; Includes nuts; Models starting Serial No. 0301001090
	M413836	Trunnion Assembly	Spider; Reversing; Models starting Serial No. 0308001308
4	M404993	Nut	Reversing; 1 required per rod
5	M400015	Washer	Reversing and nonreversing
6	M401402	Spacer	Adjustment between cylinder and trunnion
7	M404992	Rib Rod	

NOTE: Assemblies and kits are listed in *Cylinder, Trunnion and Bearing Assemblies and Kits* section.

Trunnion Housing Components

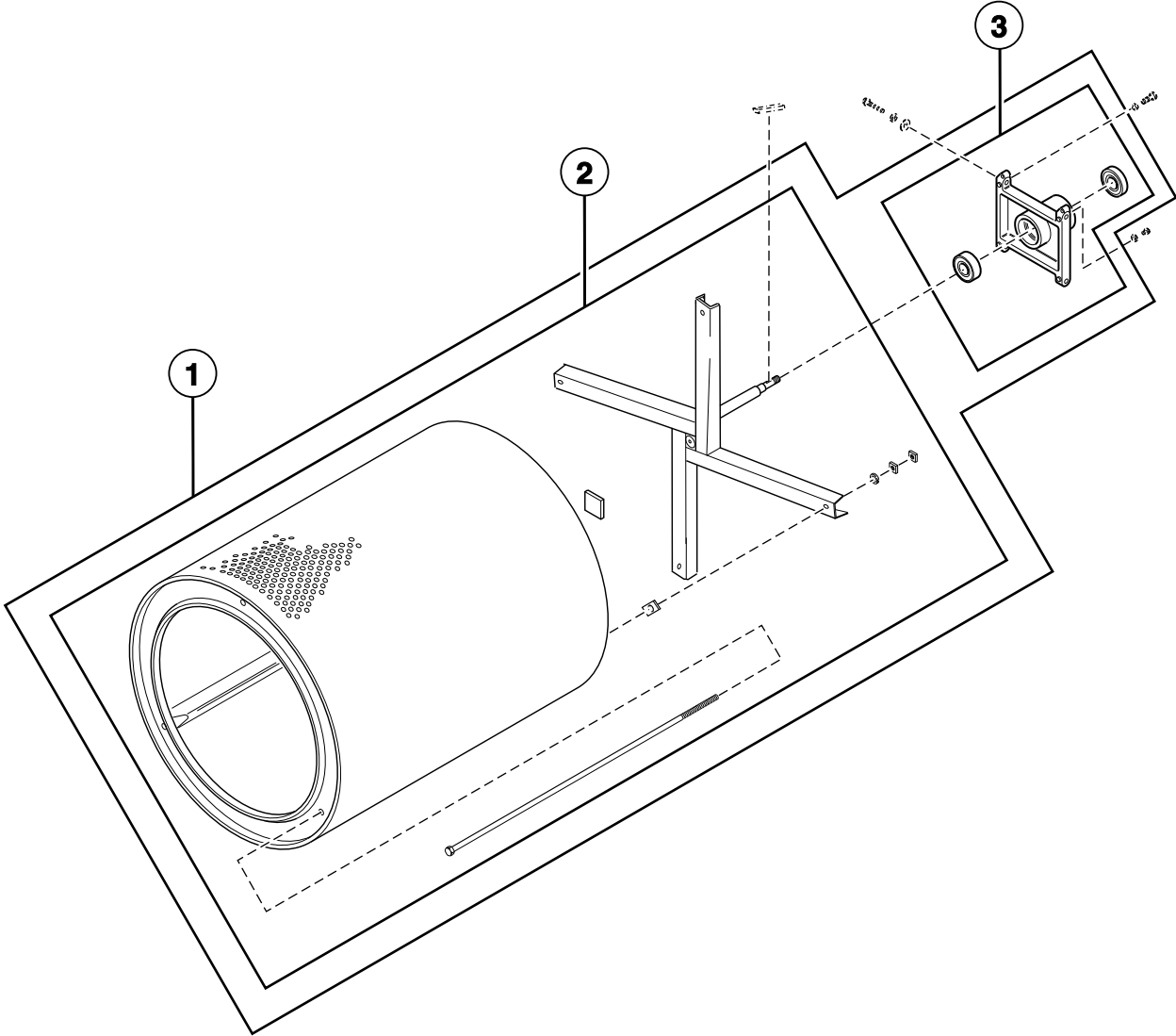


TMB2123PA_70409201

Trunnion Housing Components

REF	PART NO.	DESCRIPTION	COMMENTS
1	M400008	Key	Half moon; Nonreversing
	M405232	Key	Straight; Reversing
2	M400063	Screw	4 required
3	M400015	Washer	4 required
4	70261401	Washer	4 required
5	M400026	Nut	4 required
6	M400650	Bolt	2 required
7	70187201	Screw	4 required
8	20103	Washer	4 required
9	F100136P	Bearing	
10	M413826	Trunnion Housing	
11	44041901P	Ball Bearing	

Cylinder, Trunnion and Bearing Assemblies and Kits



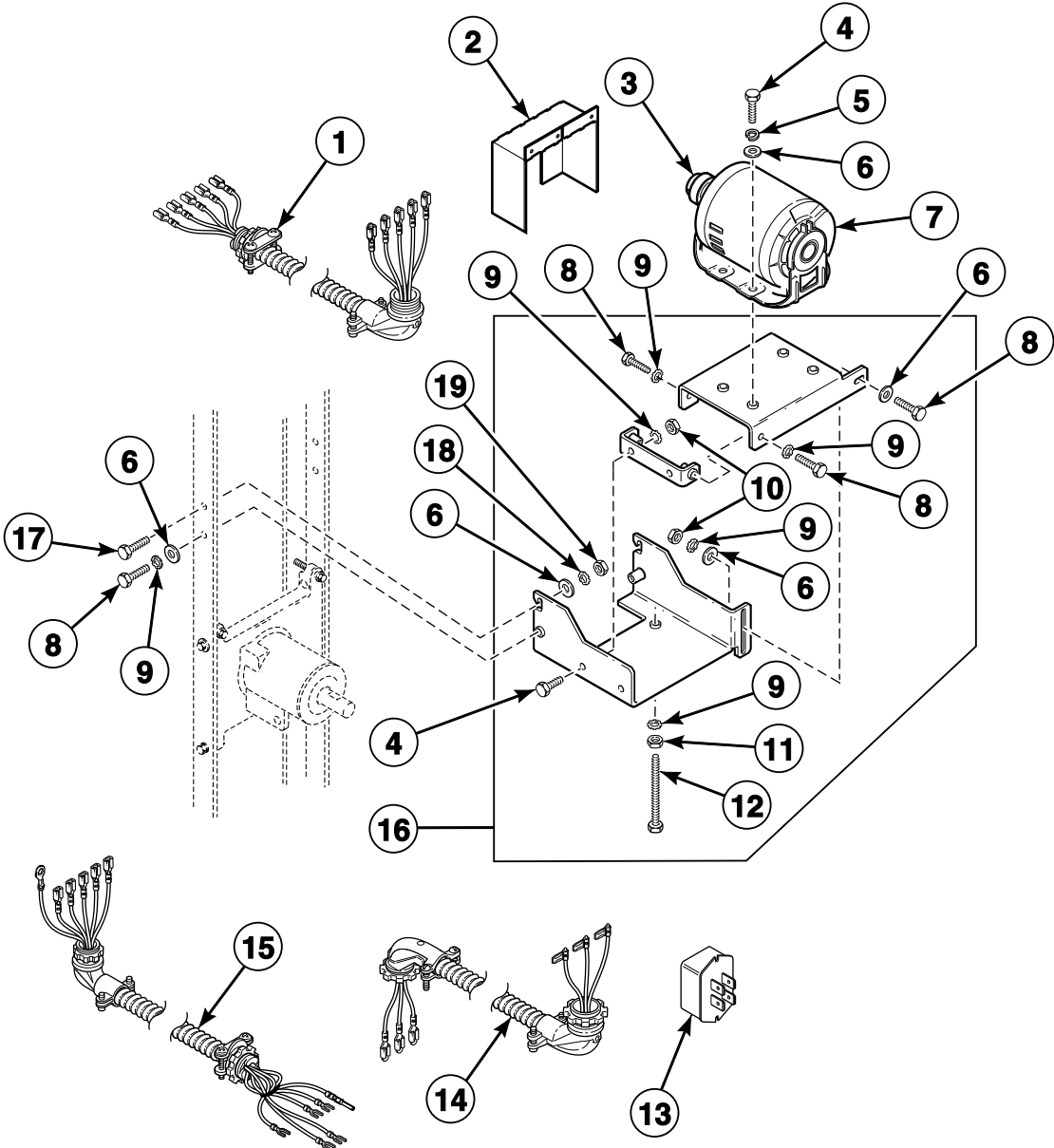
TMB2122PC_70409201

Cylinder, Trunnion and Bearing Assemblies and Kits

REF	PART NO.	DESCRIPTION	COMMENTS
	M4640P3	Trunnion and Bearing Assembly	Nonreversing
	M4641P3	Trunnion and Bearing Assembly	Reversing
	M4644P3	Housing and Trunnion Assembly	Nonreversing; Includes bearing
	M4645P3	Housing and Trunnion Assembly	Reversing; Includes bearing
1	M4818P3	Cylinder, Trunnion and Bearing Housing Kit	Nonreversing; B, C and I models
2	M406906P	Cylinder and Trunnion Assembly	Galvanized; Nonreversing; A, H, S and U models through Serial No. 0308001307; C, L, N and P models; B and I models through Serial No. 0703023529; GT and GU models through Serial No. 0110002231
	M409015P	Cylinder and Trunnion Assembly	Stainless steel; Nonreversing; A, H, S and U models through Serial No. 0308001307; C, L, N and P models; B and I models through Serial No. 0703023529; GT and GU models through Serial No. 0110002231
	M409090P	Cylinder and Trunnion Assembly	Galvanized; Reversing; A, H, S and U models through Serial No. 0308001307; C, L, N and P models; B and I models through Serial No. 0703023529; GT and GU models through Serial No. 0110002231
	M409091	Cylinder and Trunnion Assembly	Stainless steel; Reversing; A, H, S and U models through Serial No. 0308001307; C, L, N and P models; B and I models through Serial No. 0703023529; GT and GU models through Serial No. 0110002231
	44057501P	Cylinder and Trunnion Assembly	Galvanized; Nonreversing; A, H, S and U models starting Serial No. 0308001308; B and I models starting Serial No. 0704000046
	44057502	Cylinder and Trunnion Assembly	Stainless steel; Nonreversing; A, H, S and U models starting Serial No. 0308001308; B and I models starting Serial No. 0704000046
	44057503P	Cylinder and Trunnion Assembly	Galvanized; Reversing; A, H, S and U models starting Serial No. 0308001308; B and I models starting Serial No. 0704000046
	44057504P	Cylinder and Trunnion Assembly	Stainless steel; Reversing; A, H, S and U models starting Serial No. 0308001308; B and I models starting Serial No. 0704000046
	44080001	Cylinder and Trunnion Assembly	Stainless steel; Reversing; U models with the 11th character of R; With riveted cylinder
	44131001	Cylinder and Trunnion Assembly	Reversing; G models starting Serial No. 0707008006; K models through Serial No. 0708020563
	44131101	Cylinder and Trunnion Assembly	Nonreversing; G models starting Serial No. 0707008006; K models through Serial No. 0708020563
	44131302	Cylinder and Trunnion Assembly	Reversing; G and K models starting Serial No. 0709000027
	44131402	Cylinder and Trunnion Assembly	Nonreversing; G and K models starting Serial No. 0709000027
3	M413832	Trunnion Housing Assembly	Includes bearing

NOTE: Individual components are listed in *Cylinder and Trunnion Components* section.

Reversing Cylinder Drive Motor and Components

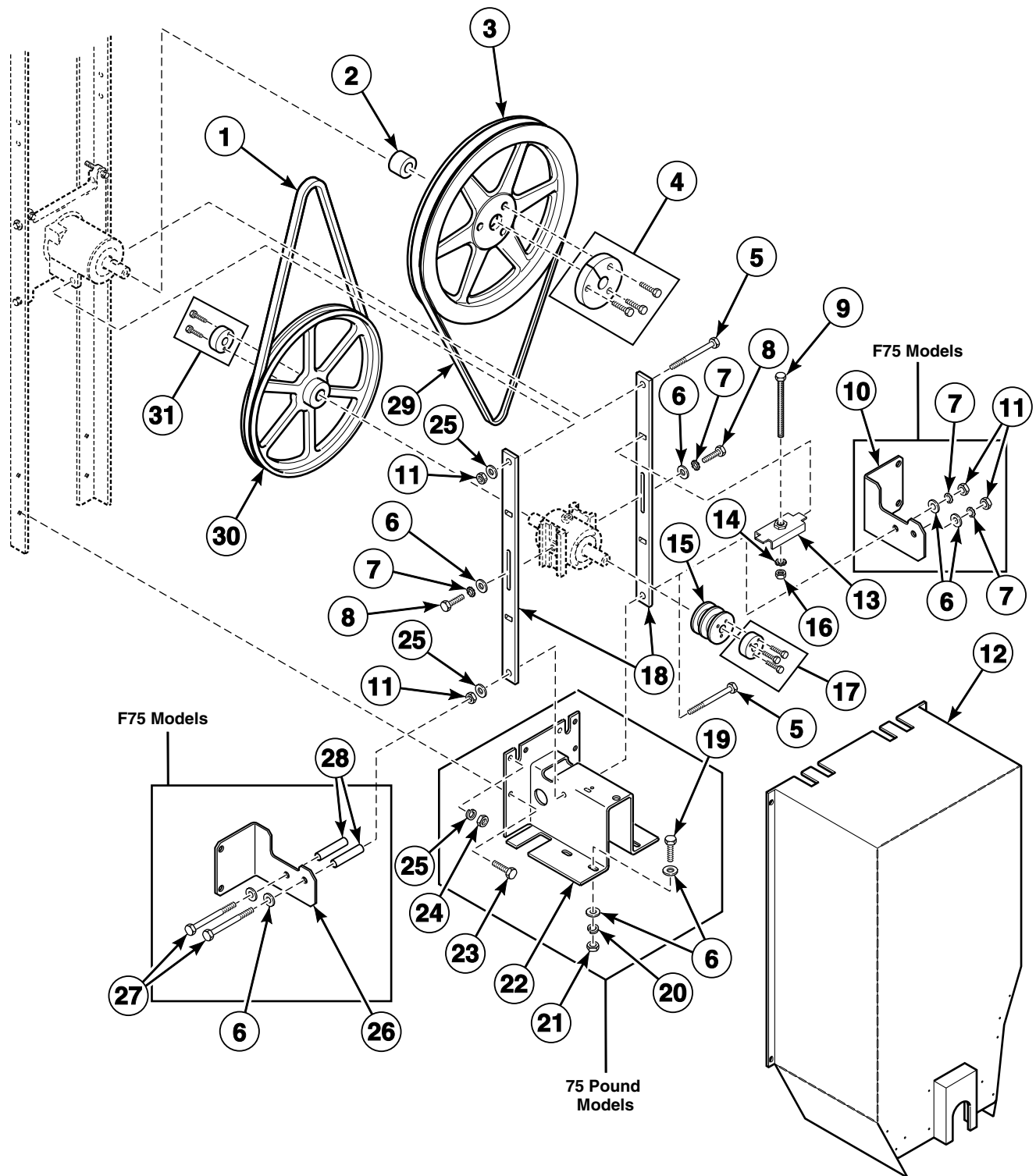


TMB3167P_70409201

Reversing Cylinder Drive Motor and Components

REF	PART NO.	DESCRIPTION	COMMENTS
1	M413687	Cylinder Motor Harness Assembly	Non-CE models; 1 Phase
2	M413541	Belt Guard	Upper
3	M414565	Pulley	60 Hertz
	M414567	Pulley	50 Hertz
4	M400057	Screw	6 required
5	M400013	Washer	4 required
6	M400080	Washer	8 required
7	M412519P	Motor Kit	Gas and steam models with: 200-208 or 240 Volt/60 Hertz/3 Phase, 460-480 Volt/60 Hertz/3 Phase, 200 Volt/50 Hertz/3 Phase, 230 or 240 Volt/50 Hertz/3 Phase and 380 or 400-415 Volt/50 Hertz/3 Phase; Electric models with: 200-208 Volt/60 Hertz/3 Phase, 240 Volt/50 or 60 Hertz/3 Phase, 480 Volt/60 Hertz/3 Phase, 200 Volt/50 Hertz/3 Phase, 380 Volt/50 Hertz/3 Phase and 400-415/50 Hertz/3 Phase
	M412520P	Motor Kit	Gas and steam models with: 230-240 Volt/50 Hertz/1 Phase
8	M400056	Screw	5 required
9	02834	Washer	8 required
10	70142	Nut	3 required
11	02428	Nut	
12	M413565	Screw	
13	M414563	Motor Switch	1 Phase
14	M413688	Cylinder Motor Harness Assembly	Non-CE models; 3 Phase
15	M412745	Cylinder Motor Harness	CE models; 1 Phase
	M412573	Cylinder Motor Harness Assembly	CE models; 3 Phase
16	M413617	Motor Mount Assembly	Includes items 4, 6, 8-12, 18 and 19
17	22688	Screw	2 required
18	M403958	Washer	2 required
19	20274	Nut	2 required

Drive Components for Reversing Models



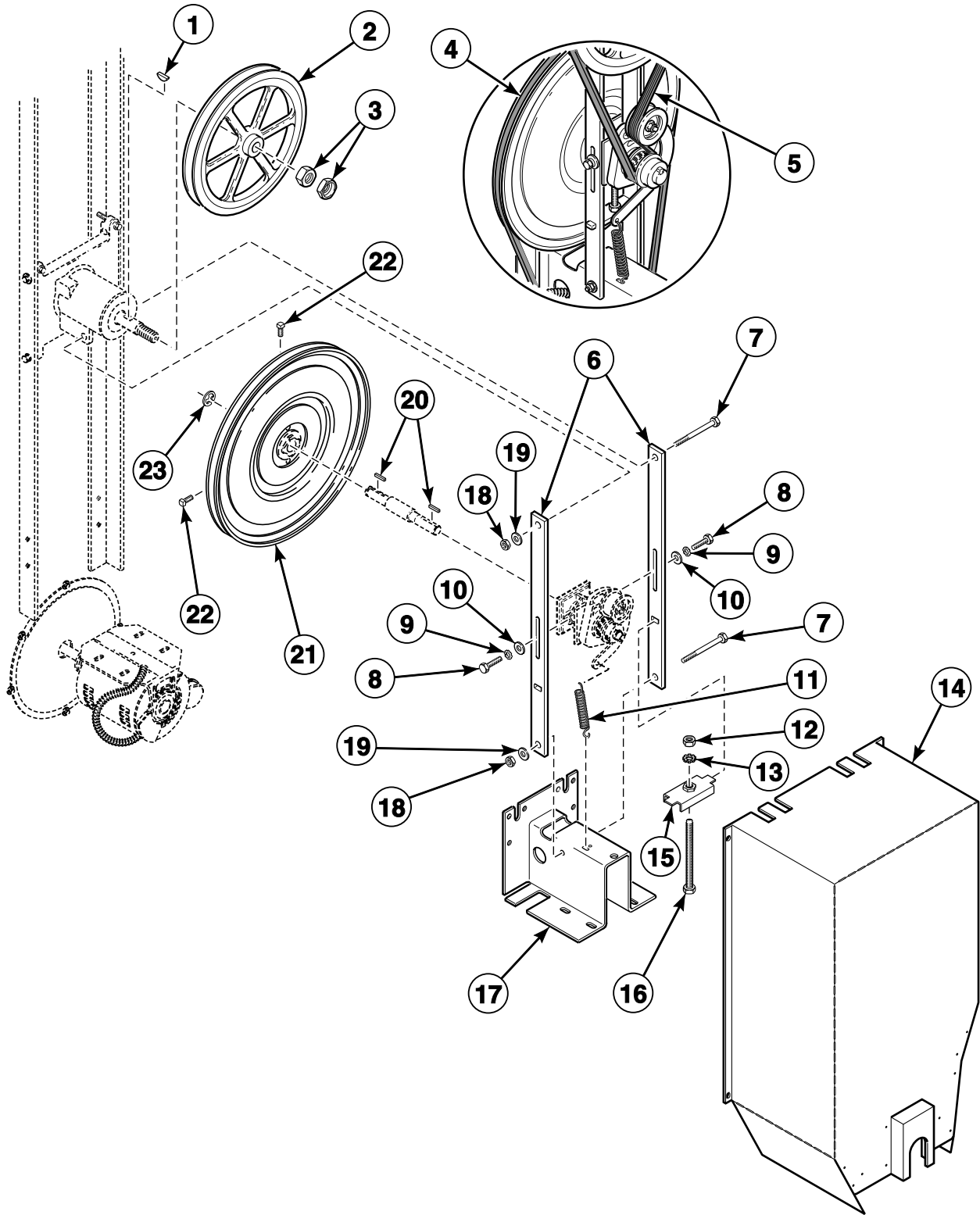
TMB2637P_70409201

Drive Components for Reversing Models

REF	PART NO.	DESCRIPTION	COMMENTS
1	M412981	Belt	Drive
2	44024001	Spacer	
3	M412916	Double V Sheave	
4	M412086P	Bushing	Includes M400013 Washer, 44048902 Screw and 44079203 Screw
5	M400061	Screw	
6	M400080	Washer	
7	M403958	Washer	
8	M400043	Screw	
9	M412627	Screw	
10	M413268	Guide Rail Support	STF and UTF models; Right
11	M400026	Nut	STF and UTF models; 2 required
12	44132407	Belt Guard Assembly	STF and UTF models
	44132404	Belt Guard Assembly	All other models
13	M414405	Tension Plate Assembly	
14	M412188	Washer	
15	M412884	Pulley	
16	H88412101	Nut	
17	M412917P	Bushing	Includes 56552 Washer, 44048901 Screw and 44079301 Screw
18	M412476	Guide Rail	
19	M400057	Screw	All models except STF and UTF models
20	M400013	Washer	All models except STF and UTF models; 4 required
21	02428	Nut	All models except STF and UTF models; 4 required
22	M411483	Motor Bracket	All models except STF and UTF models; Models through Serial No. 0707001384
	44117201	Motor Bracket	Models starting Serial No. 0707001385
23	M401393	Bolt	All models except STF and UTF models; 2 required
24	20274	Nut	All models except STF and UTF models
25	M400014	Washer	
26	M413267	Guide Rail Support	STF and UTF models; Left
27	M405525	Screw	STF and UTF models
28	M413269	Guide Rail Spacer	STF and UTF models
29	M412090	Belt	2 required; Cylinder
30	M412931	Single V Sheave	
31	M412885P	Bushing	Includes 03189 Washer and 44079201 Screw

Drive Components for Nonreversing Models

All Models Except STF75L, STF75N, UB075E, UTF75L and UTF75N



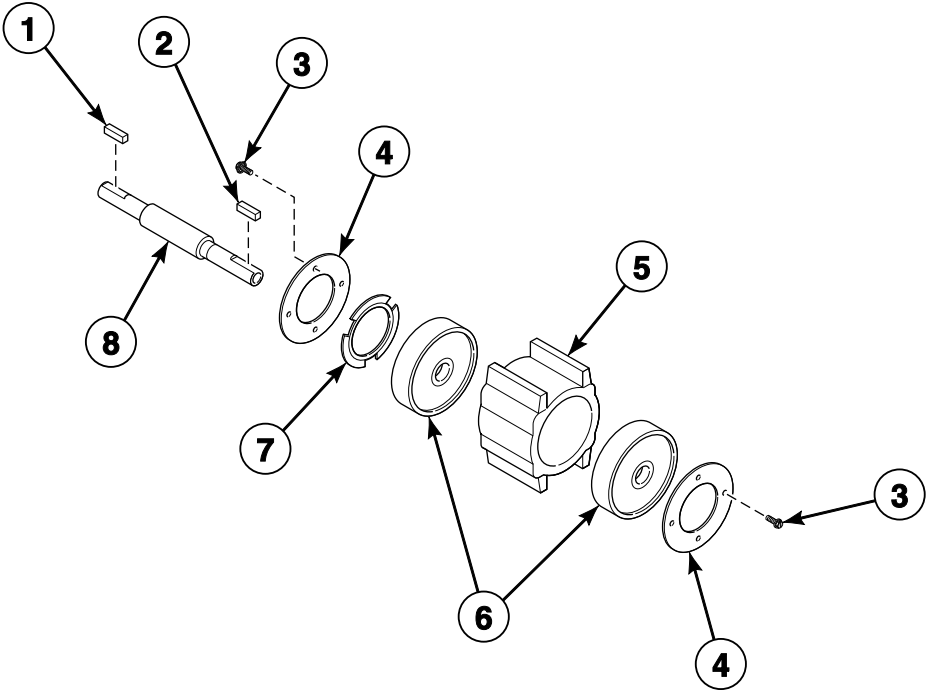
TMB2560P_70409201

Drive Components for Nonreversing Models

REF	PART NO.	DESCRIPTION	COMMENTS
1	M400008	Key	
2	M412156	Micro V Sheave	
3	M400035	Nut	
4	M401182P	Belt	
5	M411425P	Micro V Belt	
6	M412476	Guide Rail	
7	M400061	Screw	
8	M400043	Screw	
9	M403958	Washer	
10	M400080	Washer	
11	M412120	Extension Spring	
12	H88412101	Nut	
13	M412188	Washer	
14	44132405	Belt Guard Assembly	Use 51780 Screw for mounting
15	M414405	Tension Plate Assembly	
16	M412627	Screw	
17	M411483	Motor Bracket	Models through Serial No. 0707001384
	44117201	Motor Bracket	Models starting Serial No. 0707001385
18	M400026	Nut	
19	M400014	Washer	
20	M401327	Key	
21	44086901P	Sheave Kit	Includes item 20 and 2 of item 22
22	M400065	Screw	
23	M400399	Ring	

NOTE: On nonreversing models, there is only one motor that functions as the drive motor and fan motor. Refer to *Fan Motors* section for motor part numbers.

Idler Housing Assembly for Reversing Models



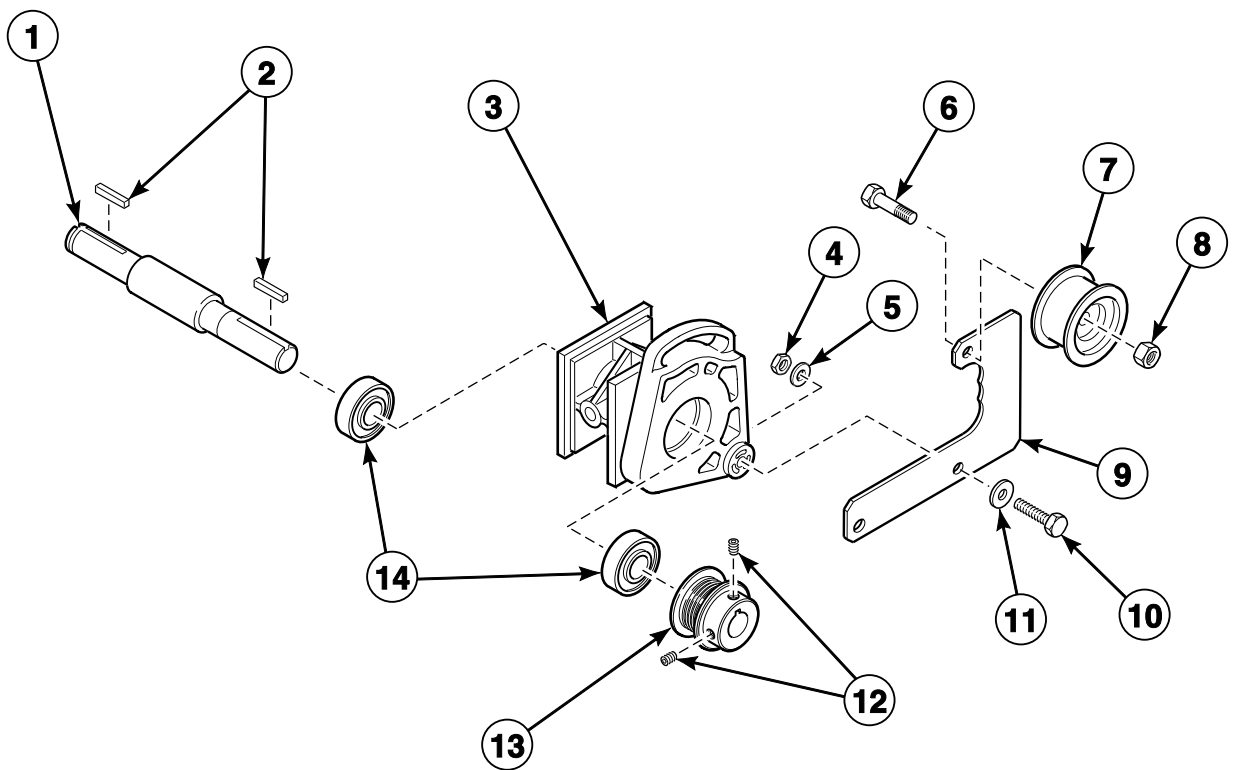
TMB2160P_70409201

Idler Housing Assembly for Reversing Models

REF	PART NO.	DESCRIPTION	COMMENTS
	917P3	Idler Housing Kit	Includes items 1-4, 7 and M412476 Guide Rail, M412630 Idler Housing Assembly and 614P3 Idler Assembly Components Kit
1	M401327	Key	
2	M400993	Key	
3	70187201	Screw	8 required
4	M401370	Bearing Retainer	
5	M412612	Idler Housing	
6	M401375P	Ball Bearing	
7	M400401	Loading Spring	
8	M414241	Idler Shaft	

Idler Housing Assembly for Nonreversing Models

All Models Except STF75L, STF75N, UB075E, UTF75L and UTF75N
Models Through 12/3/07



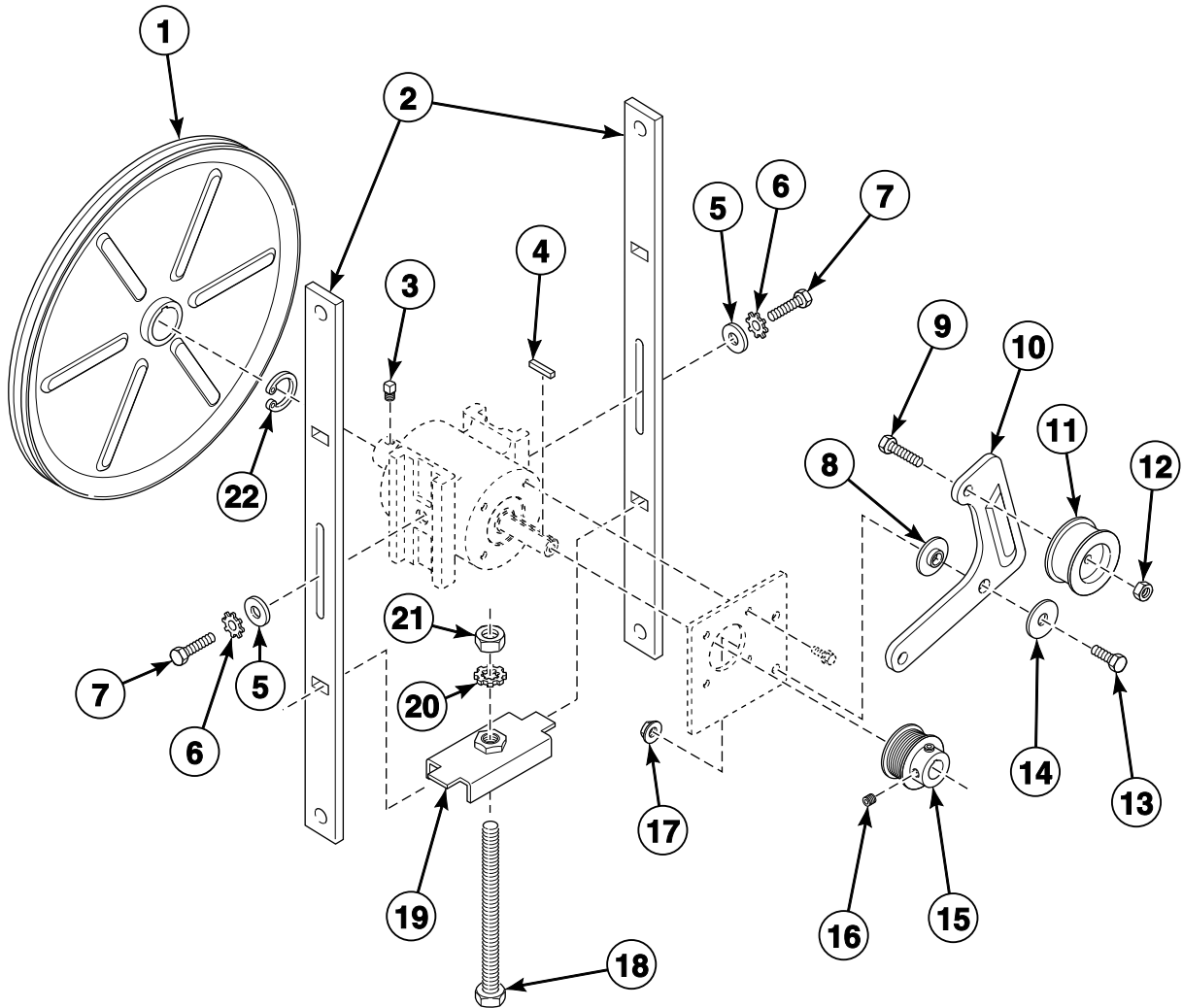
TMB1530P_70409201

Idler Housing Assembly for Nonreversing Models

REF	PART NO.	DESCRIPTION	COMMENTS
1	M412223P	Idler Shaft	
2	M401327	Key	2 required
3	943P3P	Idler Housing Kit	Idler with shaft
4	52566	Nut	
5	M405535	Washer	
6	430648	Screw	
7	430619	Drum Idler Wheel Assembly	
8	56156	Nut	
9	M414320P	Idler Arm Kit	Includes 3 of item 11
10	M412119	Bolt	
11	430782	Washer	
12	M400077	Screw	
13	M411466P	Micro V Pulley	
14	70448701	Support Bearing	

Idler Assembly for Nonreversing Models

All Models Except STF75L, STF75N, UB075E, UTF75L and UTF75N
Models Starting 12/4/07



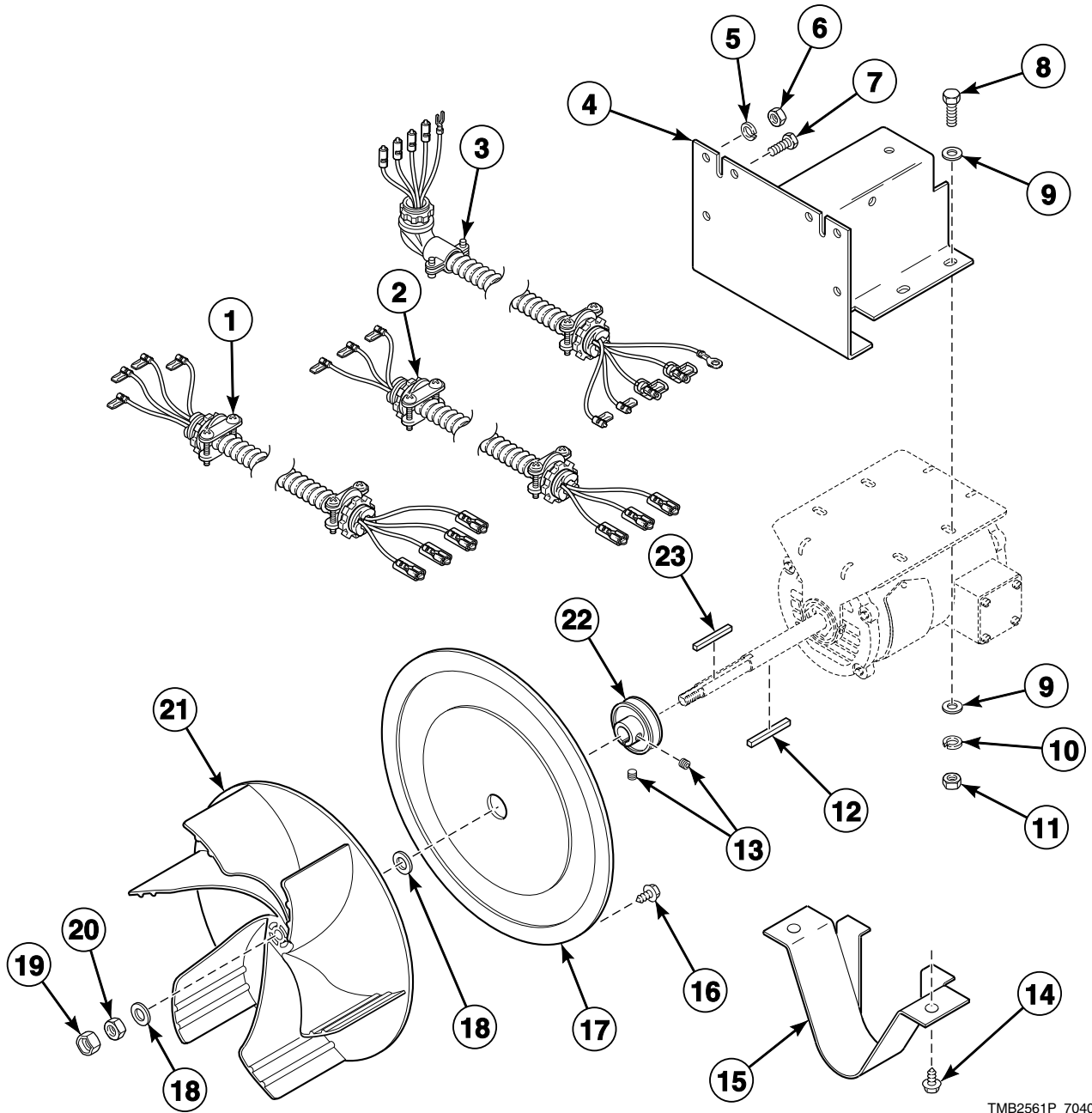
TMB2791P_70409201

Idler Assembly for Nonreversing Models

REF	PART NO.	DESCRIPTION	COMMENTS
	942P3P	Idler/Belt Assembly Kit	Use to replace whole assembly
	943P3P	Idler Housing Kit	
1	44086901P	Sheave Kit	Includes hardware
2	M412476	Guide Rail	2 required
3	M400065	Screw	2 required
4	M401327	Key	2 required
5	M400080	Washer	2 required
6	M403958	Washer	2 required
7	M400043	Screw	2 required
8	70265901	Washer	
9	430648	Screw	
10	M414320P	Idler Arm Kit	Models through 12/12/07
	44102701	Idler Arm	Models starting 12/12/07
11	430619	Drum Idler Wheel Assembly	
12	56156	Nut	
13	M400056	Screw	
14	70270301	Washer	
15	M411466P	Micro V Pulley	
16	M400077	Screw	2 required
17	44087201	Nut	
18	M412627	Screw	
19	M414405	Tension Plate Assembly	
20	M412188	Washer	
21	H88412101	Nut	
22	M400399	Ring	

Fan Components

All Models Except STF75L, STF75N, UB075E, UTF75L and UTF75N



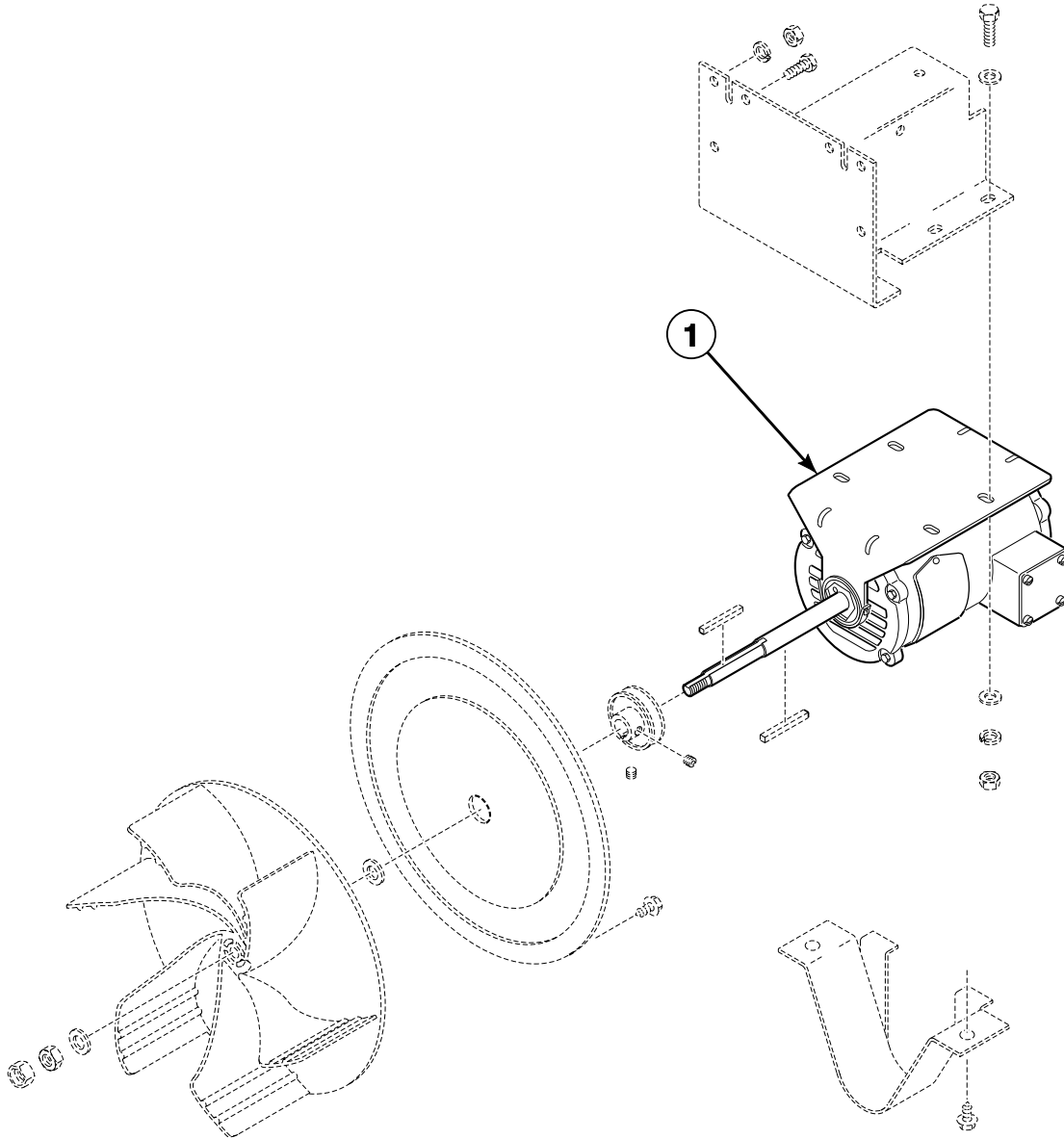
TMB2561P_70409201

Fan Components

REF	PART NO.	DESCRIPTION	COMMENTS
	M4426P3	Motor Hardware Kit	Includes items 12, 18-20 and 23
	M4525P3P	Resilient Ring Kit	2 per package
1	44006101P	Fan Motor Harness	Non-CE models; 120 Volt/60 Hertz/1 Phase and 230 or 240 Volt/50 Hertz/1 Phase
	44006201P	Fan Motor Harness	Non-CE gas and steam models 208-240 Volt/60 Hertz/1 Phase; Non-CE electric models 200-208 Volt/60 Hertz/3 Phase, 240 Volt/ 60 Hertz/3 Phase and 240 Volt/50 Hertz/3 Phase
	44250101	Motor Harness	Use this harness with replacement motor 44242501; Gas and steam: 120 Volt/60 Hertz/1 Phase or 200-208 or 240 Volt/60 Hertz/1 Phase; Electric models: 200-208 Volt/60 Hertz/3 Phase or 240 Volt/60 Hertz/3 Phase
2	M413686	Fan Motor Harness Assembly	Non-CE gas and steam models 200 Volt/50 Hertz/3 Phase and 380 Volt/50 Hertz/3 Phase; Non-CE electric models 480 Volt/60 Hertz/3 Phase
3	M413281	Fan Motor Harness Assembly	CE models; 1 Phase
4	M411483	Motor Bracket	Models through Serial No. 0707001384
	44117201	Motor Bracket	Models starting Serial No. 0707001385
5	M400014	Washer	
6	20274	Nut	
7	M401393	Bolt	2 required
8	M400057	Screw	
9	M400080	Washer	
10	M400013	Washer	
11	02428	Nut	
12	44132301	Key	Nonreversing; 120 Volt/60 Hertz/1 Phase or 200-208 or 240 Volt/60 Hertz/1 Phase; Electric models 200-208 Volt/60 Hertz/3 Phase or 240 Volt/60 Hertz/3 Phase
	M400993	Key	All other voltages
13	M400077	Screw	Supplied with pulley
14	430497	Screw	
15	M413008	Belt Guard	
16	M410059	Screw	7 required
17	M401362	Cover Plate	
18	M400991	Washer	
19	M400034	Nut	
20	M400022	Nut	
21	M4936P3	Fan Kit	Includes key
22	M414564	Pulley	60 Hertz; Nonreversing
	M414566	Pulley	50 Hertz; Nonreversing
23	M400994P	Key and Instruction Kit	

Fan Motors

All Models Except STF75L, STF75N, UB075E, UTF75L and UTF75N



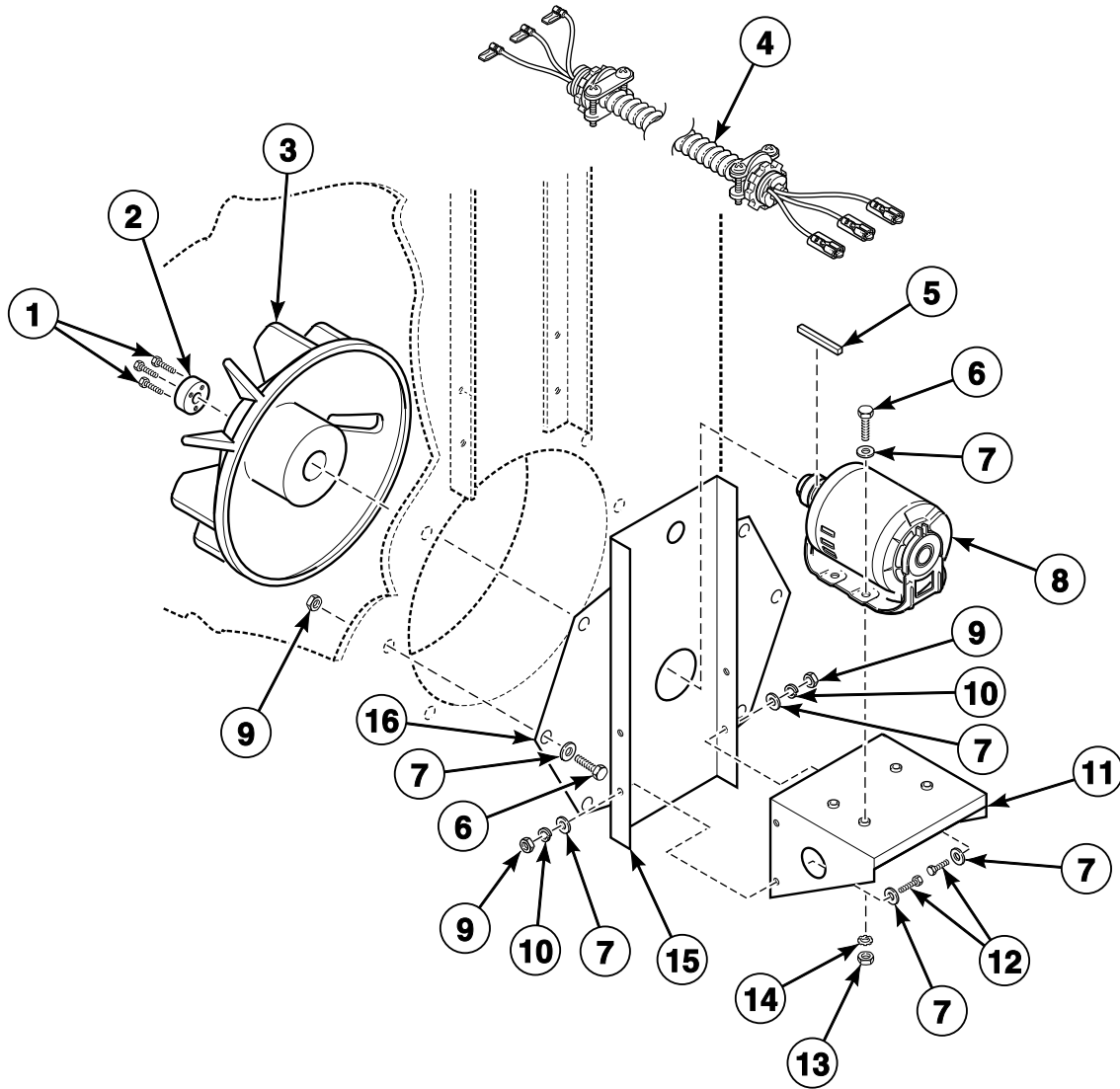
TMB2099P_70409201

Fan Motors

REF	PART NO.	DESCRIPTION	COMMENTS
1	44245502	Motor Kit	Includes 44242501 Motor; Use M410298 Motor Capacitor; Nonreversing; Gas and steam models with: 120 Volt/60 Hertz/1 Phase and 200-208 or 240 Volt/60 Hertz/1 Phase; Electric models with: 200-208 Volt/60 Hertz/3 Phase and 240 Volt/60 Hertz/3 Phase
	44046201P	Motor	3/4 horsepower; Gas and steam nonreversing models with: 200-208 or 240 Volt/60 Hertz/3 Phase, 460-480 Volt/60 Hertz/3 Phase, 200 Volt/50 Hertz/3 Phase, 230-240 Volt/50 Hertz/3 Phase and 380 or 400-415 Volt/50 Hertz/3 Phase; Electric nonreversing models with: 480 Volt/60 Hertz/3 Phase, 200 Volt/50 Hertz/3 Phase, 380 Volt/50 Hertz/3 Phase and 400-415 Volt/50 Hertz/3 Phase; Gas and steam reversing models with: 200-208 or 240 Volt/60 Hertz/3 Phase and 460-480 Volt/60 Hertz/3 Phase
	44048801P	Motor	Use M410300 Motor Capacitor; Nonreversing; Gas and steam models with: 230-240 Volt/50 Hertz/1 Phase; Electric models with: 240 Volt/50 Hertz/3 Phase
	44046001P	Fan Motor	1/3 horsepower; Reversing; Gas and steam models with: 200 Volt/50 or 60 Hertz/3 Phase, 230-240 Volt/50 or 60 Hertz/3 Phase and 380 or 400-415 Volt/50 or 60 Hertz/3 Phase; Electric models with: 480 Volt/50 or 60 Hertz/3 Phase, 380 Volt/50 Hertz/3 Phase and 400-415 Volt/50 or 60 Hertz/3 Phase
	44045901P	Fan Motor	Use M410301 Motor Capacitor; Reversing; Gas and steam models with: 230-240 Volt/50 Hertz/1 Phase; Electric models with: 240 Volt/50 Hertz/1 or 3 Phase and 200 Volt/50 Hertz/3 Phase
	44045701P	Motor	Use M410296 Motor Capacitor; Reversing; Electric models with: 200-208 Volt/60 Hertz/3 Phase and 240 Volt/60 Hertz/3 Phase

NOTE: Nonreversing motors listed above function as the fan motor and the drive motor.

Fan Components and Motor for STF, UB and UTF Models



TMB2638P_70409201

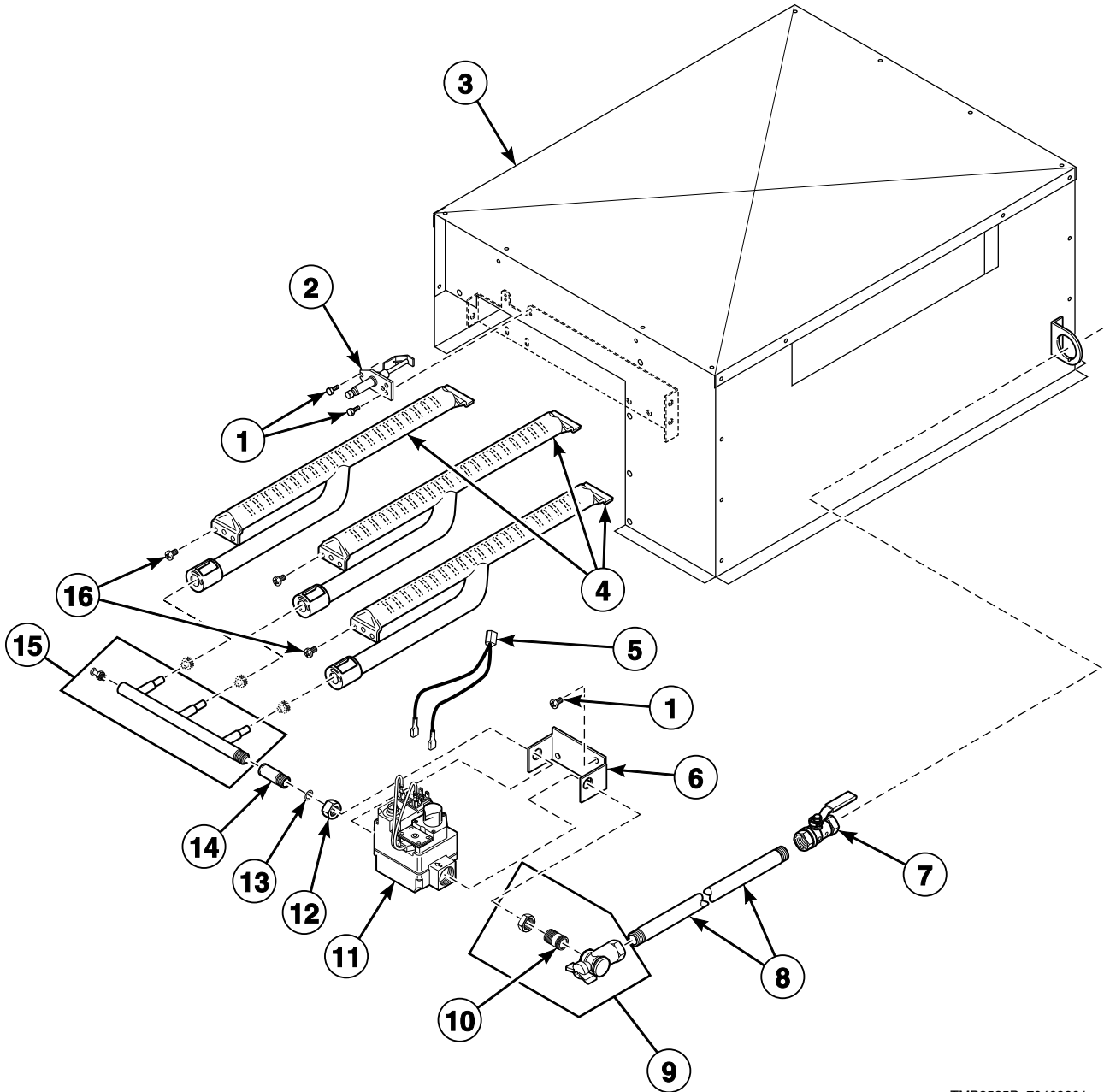
Fan Components and Motor for STF, UB and UTF Models

REF	PART NO.	DESCRIPTION	COMMENTS
1	H8800901H	Screw	
2	H87529111P	Bushing	
3	M414546	Fan and Bushing Assembly	
4	M413686	Fan Motor Harness Assembly	
5	H8752006H	Key	
6	M400057	Screw	
7	M400080	Washer	
8	44046301P	Motor	
9	20274	Nut	
10	M400014	Washer	4 required
11	M413391	Motor Base	
12	22688	Screw	4 required
13	02428	Nut	4 required
14	M400013	Washer	4 required
15	N/A	Motor Channel	
16	M413399	Blower Cover	

N/A = Part no longer available

Gas Heater Components for All Models Except STF and UTF Models (Drawing 1 of 2)

Non-CE and Non-Australian Models Through Serial No. 0208002194;
CE and Australian Models Starting Serial No. 0208002195



TMB2535P_70409201

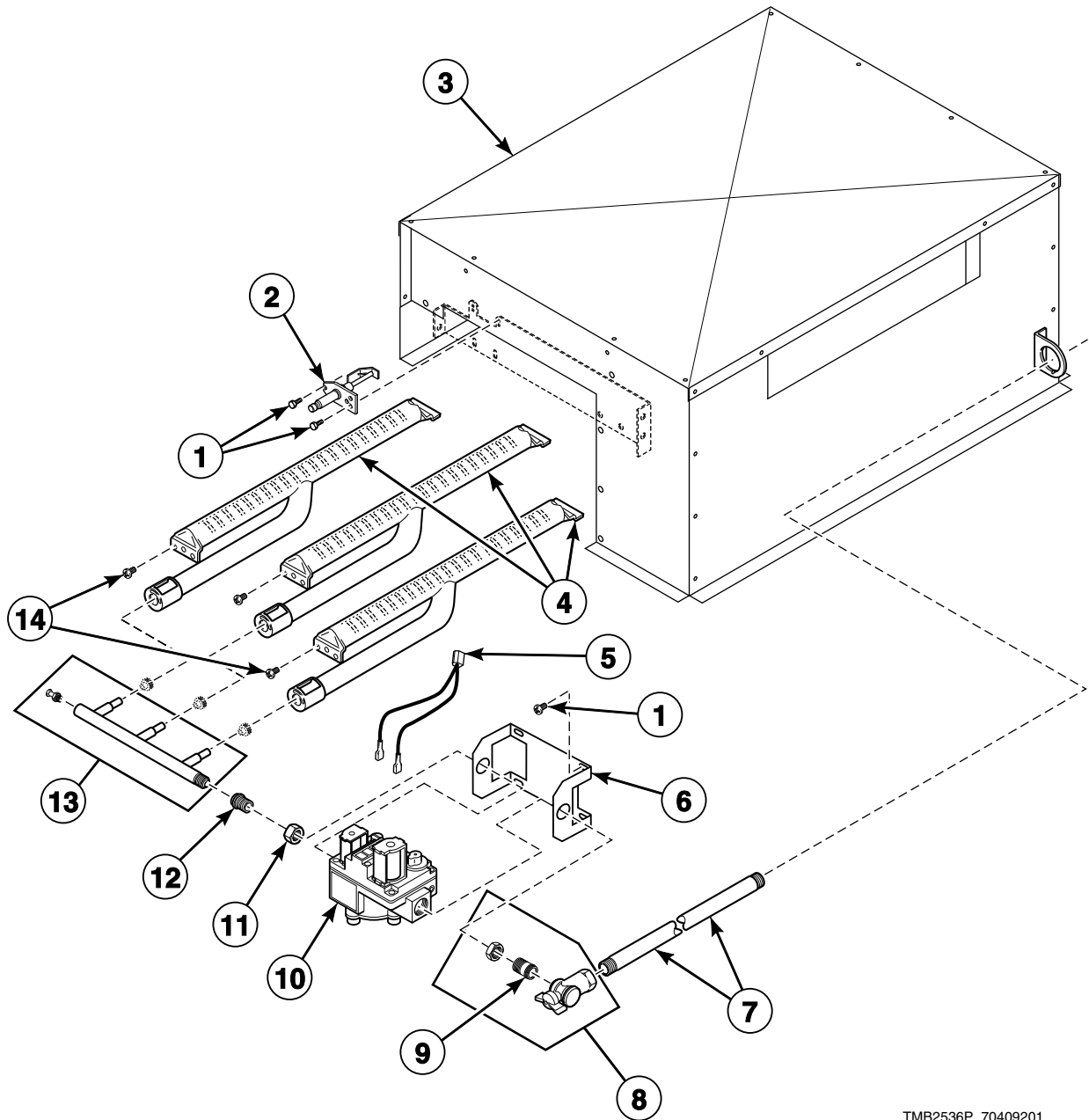
Gas Heater Components for All Models Except STF and UTF Models (Drawing 1 of 2)

REF	PART NO.	DESCRIPTION	COMMENTS
	M4543P3	L.P. Conversion Kit	Natural Gas (N.G.) to Liquid Petroleum Gas (L.P.); CE and Australian models
	M4454P3	L.P. Conversion Kit	N.G. to L.P.; Non-CE and non-Australian models
	M414503	Insulation	Used with item 3
1	430497	Screw	2 required
2	44253701P	Spark Electrode	Non-Australian models
	M410905P	Spark Igniter	Australian models
3	M414366	Gas Stove Assembly	Includes item 4
4	M410541P	Burner Assembly	3 required
5	M412997	Harness Assembly	Non-CE and non-Australian models
	M413650	Gas Valve Harness Assembly	CE and Australian models
6	M406814	Gas Valve Bracket	
7	M412562P	Gas Shut-Off Valve	CE models
8	M400749	Pipe	
9	M4983P3	Shut-Off Valve Kit	
10	44092201	Tailpiece	1/2 inch NPT; Models starting Serial No. 05040000256
	44092202	Tailpiece	1/2 inch BPT; Models starting Serial No. 05040000256
11	M410907P	Gas Valve	N.G.; Australian models
	M410908	Gas Valve	L.P.; Australian models
	M413332P	Gas Valve	N.G.; CE models
	M4909P3	Valve Replacement Kit	L.P.; CE models
	44138701P	Gas Valve Kit	L.P.; 50 Hertz; Non-CE models
	M4897P3	L.P. Gas Valve Kit	L.P.; 60 Hertz; Non-CE models
	44154501P	Gas Valve	N.G.; Non-CE models
	44042901P	Gas Valve Coil	60 Hertz; 24 Volt; Non-CE and non-Australian models
12	M401548	Nut	
13	M400605	Anti-Torque Ring	
14	M413395	Manifold Pipe Assembly	CE models
	44040501	Manifold Pipe	B, C and I non-CE and non-Australian models
	M406681	Manifold Pipe Assembly	All other models
15	M406810	Spud Holder Assembly	
16	430497	Screw	6 required

NOTE: For CE gas and orifice information, refer to Installation Manual.

Gas Heater Components for All Models Except STF and UTF Models (Drawing 2 of 2)

Non-CE and Non-Australian Models Starting Serial No. 0208002195

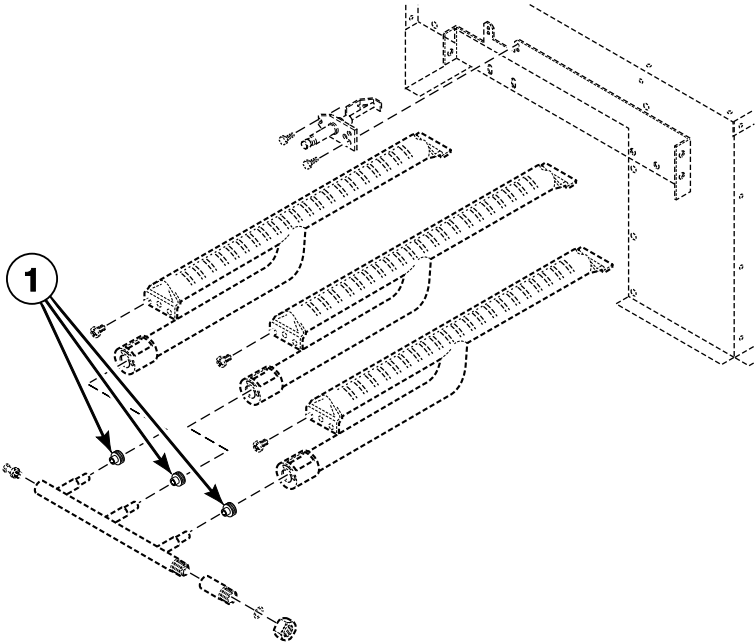


TMB2536P_70409201

Gas Heater Components for All Models Except STF and UTF Models (Drawing 2 of 2)

REF	PART NO.	DESCRIPTION	COMMENTS
	M4454P3	L.P. Conversion Kit	Natural Gas (N.G.) to Liquid Petroleum Gas (L.P.)
	M414503	Insulation	Used with item 3
1	430497	Screw	2 required
2	44253701P	Spark Electrode	
3	M414366	Gas Stove Assembly	Includes item 4
4	M410541P	Burner Assembly	3 required
5	M412997	Harness Assembly	
6	44040401	Gas Valve Bracket	
7	M400749	Pipe	
8	M4983P3	Shut-Off Valve Kit	
9	44092201	Tailpiece	1/2 inch NPT; Models starting Serial No. 0504000256
	44092202	Tailpiece	1/2 inch BPT; Models starting Serial No. 0504000256
10	44154501P	Gas Valve	N.G.
	44154502P	Gas Valve	L.P.
11	M401548	Nut	
12	M406681	Manifold Pipe Assembly	
13	M406810	Spud Holder Assembly	
14	70240301	Screw	6 required

Burner Orifices for Non-CE Models Except STF and UTF Models



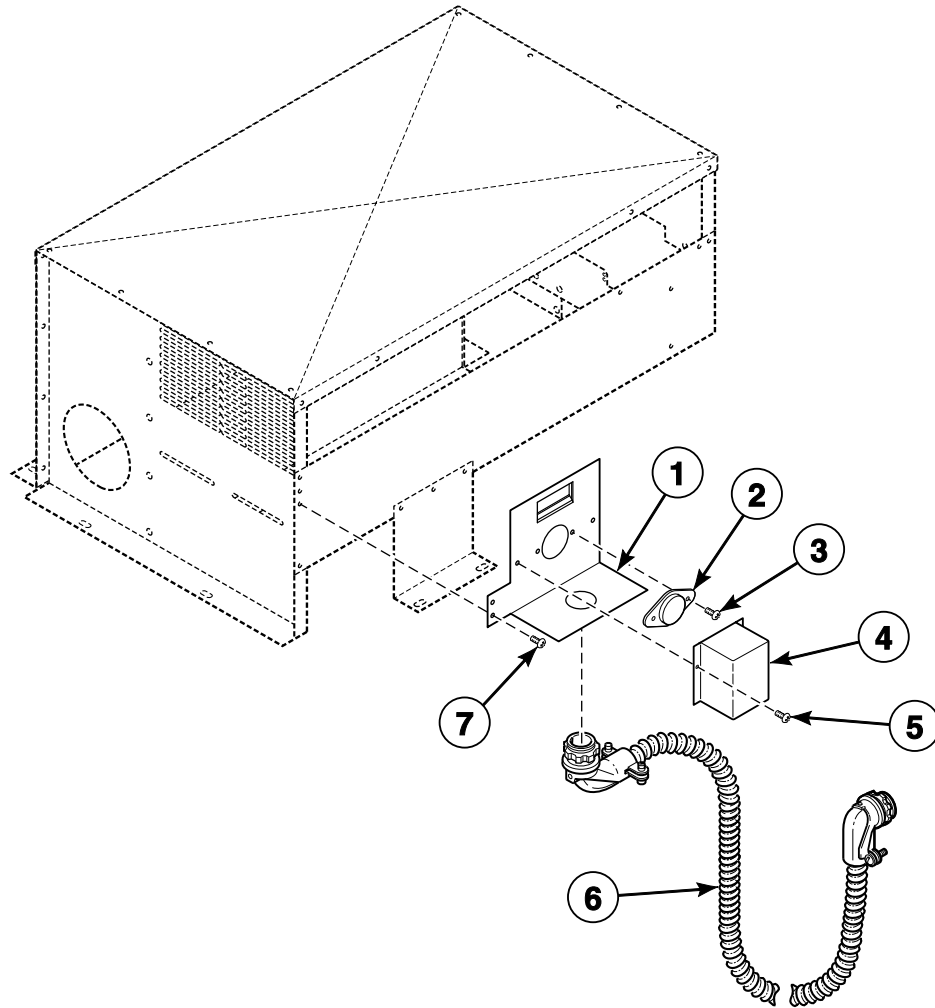
TMB2208P_70409201

Burner Orifices for Non-CE Models Except STF and UTF Models

REF	PART NO.	DESCRIPTION	COMMENTS
1	M400995	Burner Orifice	Blank
	M401011	Burner Orifice	Liquid Petroleum Gas (L.P.); Drill no. 44 (2.2 mm); 0-2,000 feet; 3 required
	M401027	Burner Orifice	L.P.; Drill no. 45 (2.1 mm); 2,001-4,000 feet; 3 required
	M401003	Burner Orifice	L.P.; Drill no. 46 (2.1 mm); 4,001-6,000 feet; 3 required
	M400999	Burner Orifice	L.P.; Drill no. 47 (2.0 mm); 6,001-8,000 feet; 3 required
	M401001	Burner Orifice	L.P.; Drill no. 48 (1.9 mm); 8,001-10,000 feet; 3 required
	M401014	Burner Orifice	Natural Gas (N.G.); Drill no. 28 (3.6 mm); 0-2,000 feet; 3 required
	M400997	Burner Orifice	N.G.; Drill no. 29 (3.4 mm); 2,001-4,000 feet; 3 required
	M401021	Burner Orifice	N.G.; Drill no. 30 (3.3 mm); 4,001-8,000 feet; 3 required
	M401017	Burner Orifice	N.G.; Drill no. 31 (3.0 mm); 8,001-10,000 feet; 3 required

NOTE: For CE gas and orifice information, refer to Installation Manual.

Gas Heater Components for All Models Except STF and UTF Models - Rear View

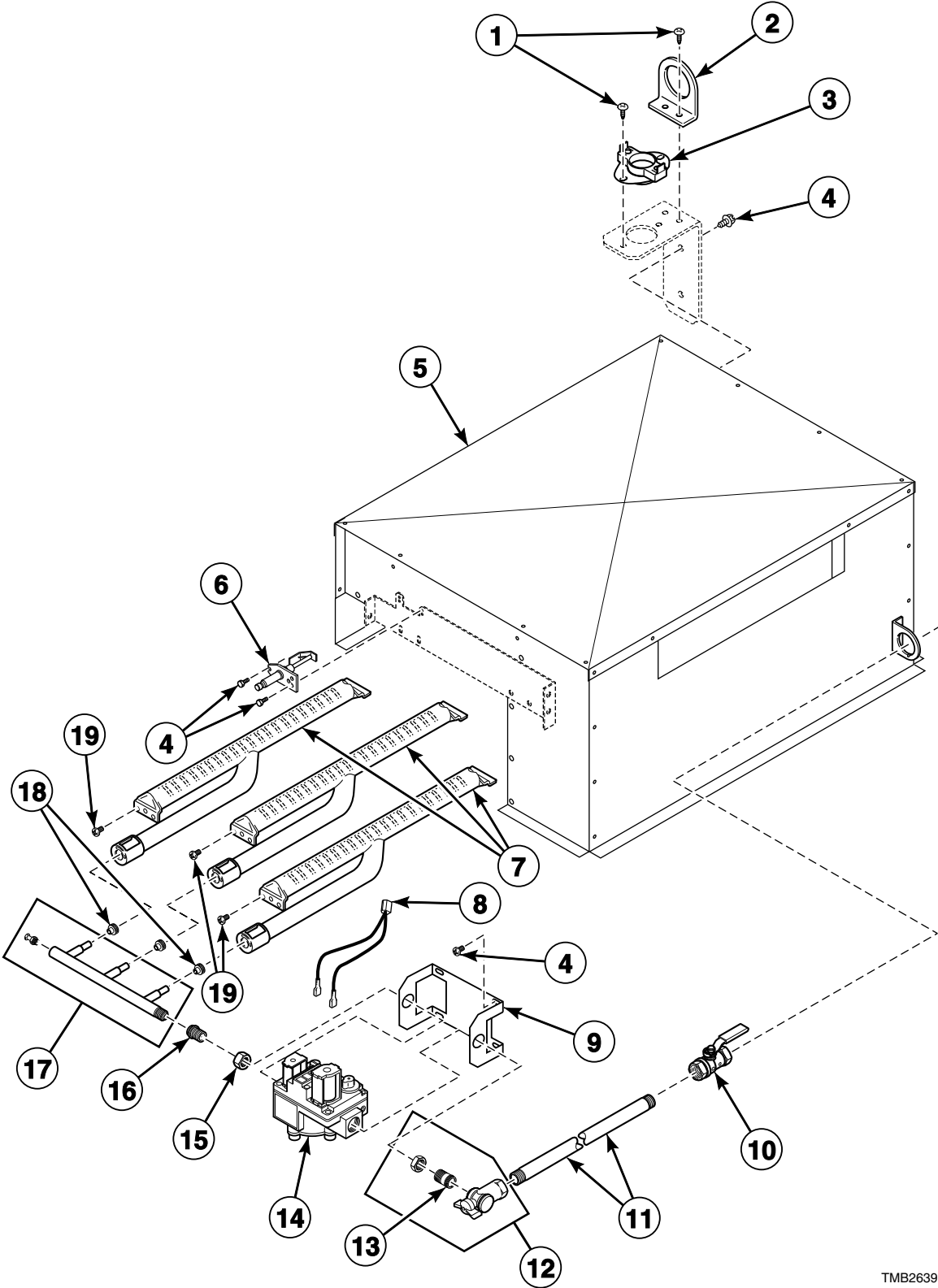


TMB2537P_70409201

Gas Heater Components for All Models Except STF and UTF Models - Rear View

REF	PART NO.	DESCRIPTION	COMMENTS
1	M406882	Thermostat Bracket	
2	M401404	Limit Thermostat	Non-Australian models
	M411943	Manual Reset Thermostat	Australian models
3	M402797	Screw	2 required
4	M414477	Thermostat Cover	
5	M400664	Screw	2 required
6	M413691	Stove Limit Harness Assembly	
7	430497	Screw	2 required

Gas Heater Components for STF and UTF Models

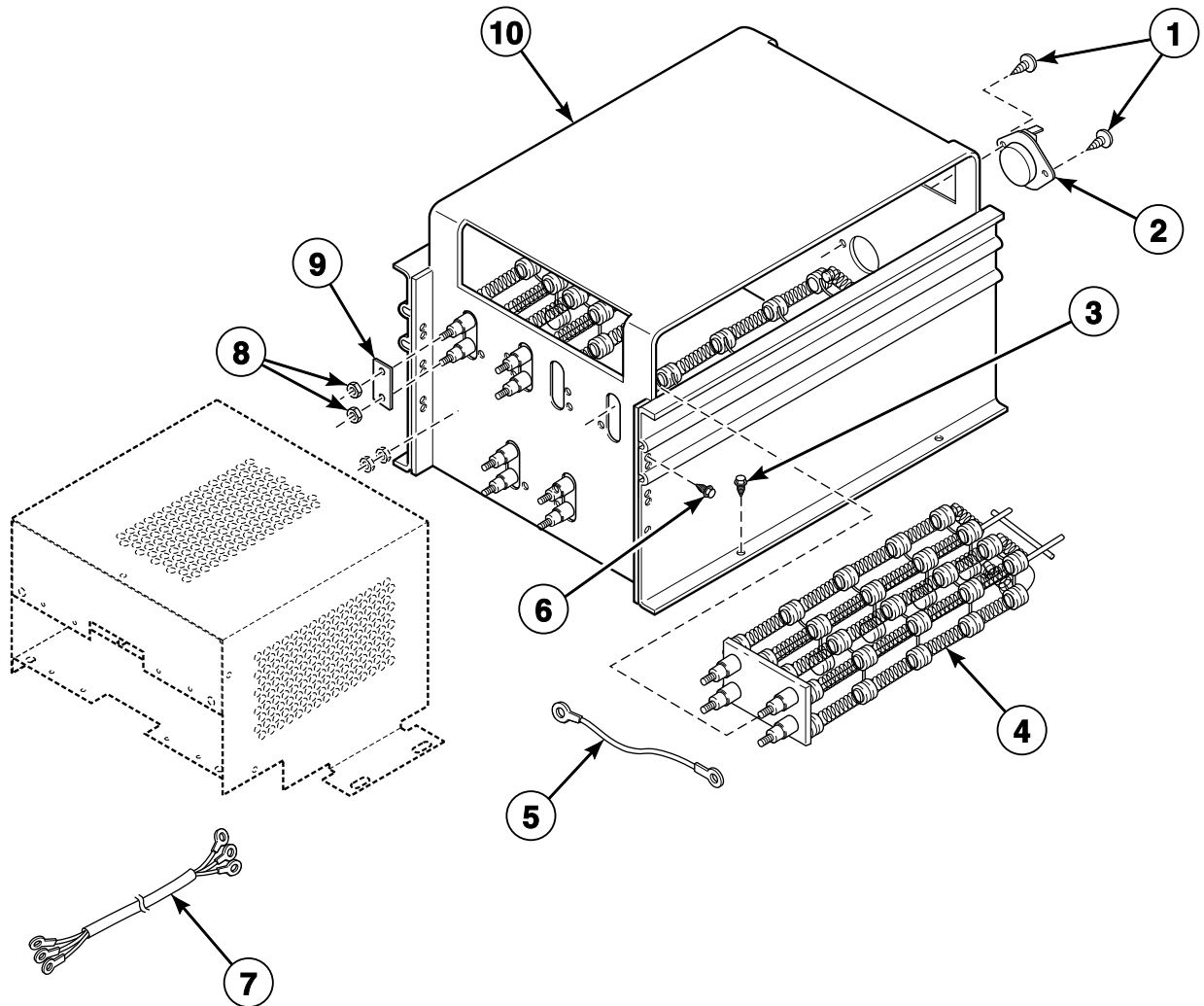


TMB2639P_70409201

Gas Heater Components for STF and UTF Models

REF	PART NO.	DESCRIPTION	COMMENTS
	M4609P3	L.P. Conversion Kit	Natural Gas (N.G.) to Liquid Petroleum Gas (L.P.)
	M414503	Insulation	Used with item 5
1	M400664	Screw	4 required
2	M405343	Conduit Retainer	
3	M410220	Limit Thermostat	
4	430497	Screw	2 required
5	M413657P	Gas Stove Assembly	Includes item 7
6	44253701P	Spark Electrode	
7	M410541P	Burner Assembly	3 required
8	M412997	Harness Assembly	
9	M406814	Gas Valve Bracket	Models through Serial No. 0209007599
	44040401	Gas Valve Bracket	Models starting Serial No. 0209007600
10	M412562P	Gas Shut-Off Valve	Models through Serial No. 0209007599
11	M400749	Pipe	
12	M4983P3	Shut-Off Valve Kit	1/2 inch male NPT
13	44092201	Tailpiece	1/2 inch NPT
	44092202	Tailpiece	1/2 inch BPT
14	44154501P	Gas Valve	N.G.
	44154502P	Gas Valve	L.P.
	44042901P	Gas Valve Coil	60 Hertz; 24 Volt
15	M401548	Nut	
16	M406681	Manifold Pipe Assembly	
17	M406810	Spud Holder Assembly	
18	M406361	Burner Orifice	L.P.; Drill no. 40 (2.5 mm); 0-2,000 feet; 3 required
	M403017	Burner Orifice	L.P.; Drill no. 42 (2.4 mm); 2,001-4,000 feet; 3 required
	M406184	Burner Orifice	L.P.; Drill no. 43 (2.3 mm); 4,001-6,000 feet; 3 required
	M401011	Burner Orifice	L.P.; Drill no. 44 (2.2 mm); 6,001-8,000 feet; 3 required
	M401027	Burner Orifice	L.P.; Drill no. 45 (2.1 mm); 8,001-10,000 feet; 3 required
	M401002	Burner Orifice	N.G.; Drill no. 20 (4.1 mm); 0-2,000 feet; 3 required
	M401020	Burner Orifice	N.G.; Drill no. 23 (3.9 mm); 2,001-4,000 feet; 3 required
	M402997	Burner Orifice	N.G.; Drill no. 25 (3.8 mm); 4,001-6,000 feet; 3 required
	M400998	Burner Orifice	N.G.; Drill no. 27 (3.7 mm); 6,001-8,000 feet; 3 required
	M400997	Burner Orifice	N.G.; Drill no. 29 (3.4 mm); 8,001-10,000 feet; 3 required
19	70240301	Screw	6 required

Electric Heater Components for Non-CE Models

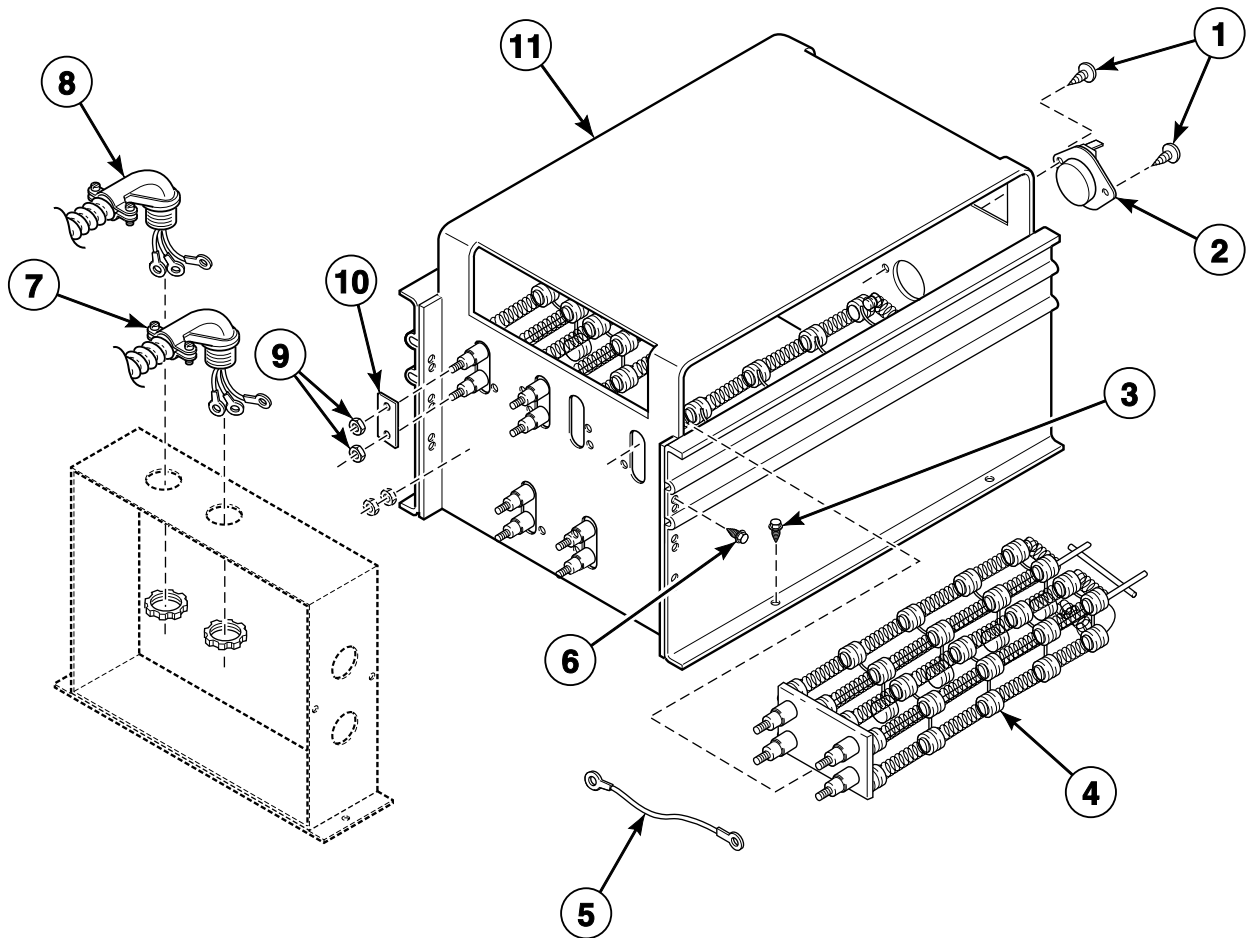


TMB1249P_70409201

Electric Heater Components for Non-CE Models

REF	PART NO.	DESCRIPTION	COMMENTS
1	33562	Screw	
2	M409433	Limit Thermostat	21 kW; 240 Volt/50 Hertz/1 Phase
3	430497	Screw	
4	M410939P	Heater Element	10 kW; 240 Volt; 3 required for 240 Volt/60 Hertz/3 Phase, 400-415 Volt/50 Hertz/3 Phase and 480 Volt/60 Hertz/3 Phase
	M410940P	Heater Element	10 kW; 208 Volt; 3 required for 200 Volt/50 Hertz/3 Phase and 200-208 Volt/60 Hertz/3 Phase
	M410941P	Heater Element	10 kW; 220 Volt; 3 required for 380 Volt/50 Hertz/3 Phase
5	M412287	Jumper Wire Assembly	1 required for 380 Volt/50 Hertz/3 Phase and 400-415 Volt/50 Hertz/3 Phase; 2 required for 480 Volt/60 Hertz/3 Phase
6	70240301	Screw	
7	M413959	Heater Cable Assembly	H1-H3; 200 Volt/50 Hertz/3 Phase, 200-208 Volt/60 Hertz/3 Phase, 240 Volt/60 Hertz/3 Phase, 380 Volt/50 Hertz/3 Phase, 400-415 Volt/50 Hertz/3 Phase, 480 Volt/60 Hertz/3 Phase and 240 Volt/50 Hertz/1 Phase
	M413960	Heater Cable Assembly	H4-H6; 200 Volt/50 Hertz/3 Phase, 200-208 Volt/60 Hertz/3 Phase, 240 Volt/60 Hertz/3 Phase and 240 Volt/50 Hertz/1 Phase
8	70054	Nut	
9	M400866	Jumper Bar	380 Volt/50 Hertz/3 Phase, 400-415 Volt/50 Hertz/3 Phase and 480 Volt/60 Hertz/3 Phase
	M400869	Jumper Strip	3 required for 480 Volt/60 Hertz/3 Phase; 6 required for all others
10	M414825	Electric Heater Cabinet Assembly	

Electric Heater Components for CE Models



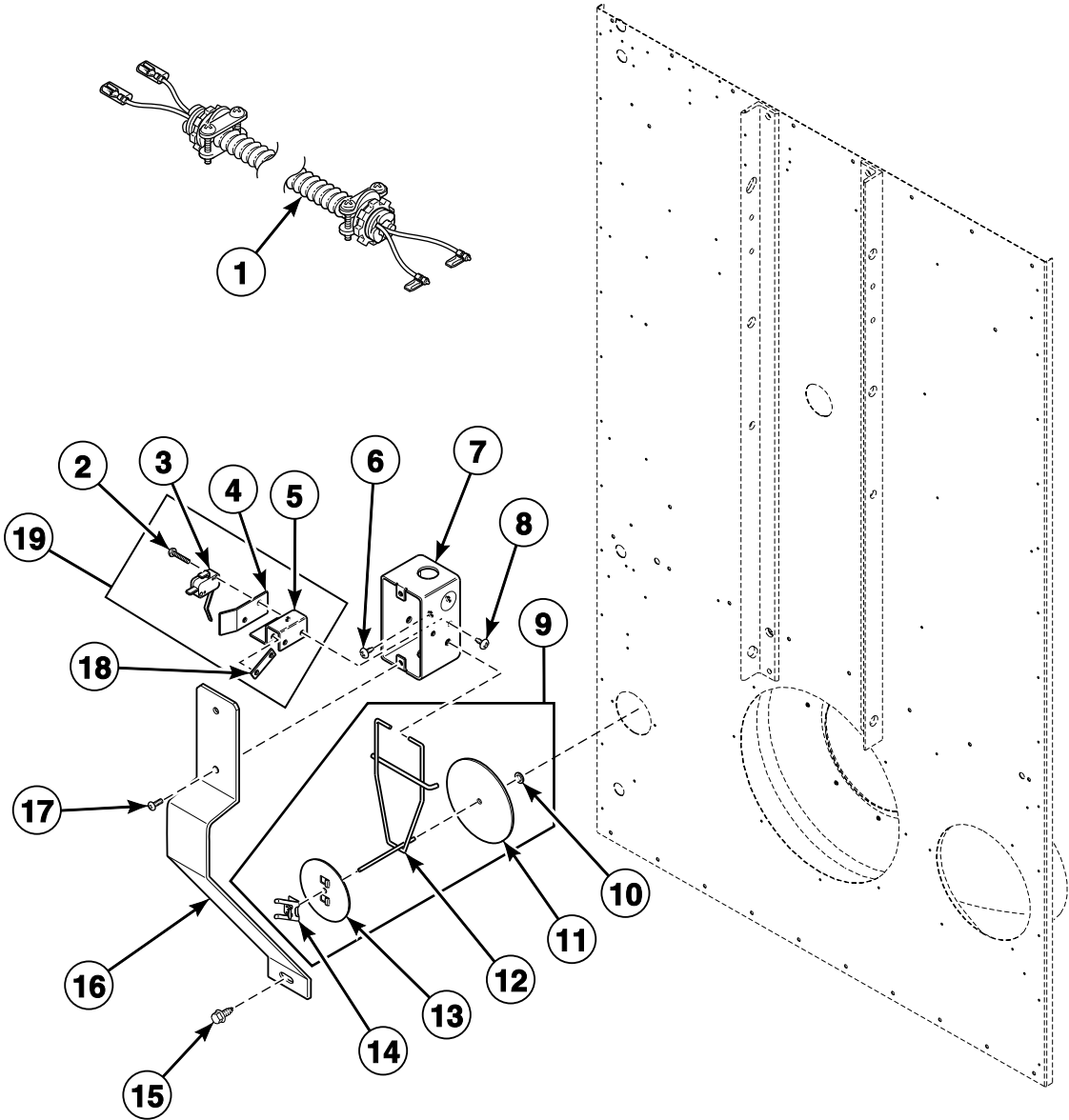
TMB1248P_70409201

Electric Heater Components for CE Models

REF	PART NO.	DESCRIPTION	COMMENTS
1	33562	Screw	
2	M409433	Limit Thermostat	
3	430497	Screw	
4	M410939P	Heater Element	10 kW; 240 Volt; 3 required for 230 Volt/50 Hertz/3 Phase and 415 Volt/50 Hertz/3 Phase
	M410941P	Heater Element	10 kW; 220 Volt; 3 required for 380 Volt/50 Hertz/3 Phase
5	M412287	Jumper Wire Assembly	380 Volt/50 Hertz/3 Phase and 415 Volt/50 Hertz/3 Phase
6	70240301	Screw	
7	M412802	Heater Cable Harness Assembly	240 Volt; 230 Volt/50 Hertz/3 Phase; Includes nut
8	M412801	Heater Cable Harness Assembly	230 Volt/50 Hertz/3 Phase, 380 Volt/50 Hertz/3 Phase and 415 Volt/50 Hertz/3 Phase; Includes nut
9	70054	Nut	12 required
10	M400869	Jumper Strip	6 required
	M400866	Jumper Bar	380 Volt/50 Hertz/3 Phase and 415 Volt/50 Hertz/3 Phase
11	M414825	Electric Heater Cabinet Assembly	

Airflow Switch Assembly

Electric and Gas Models

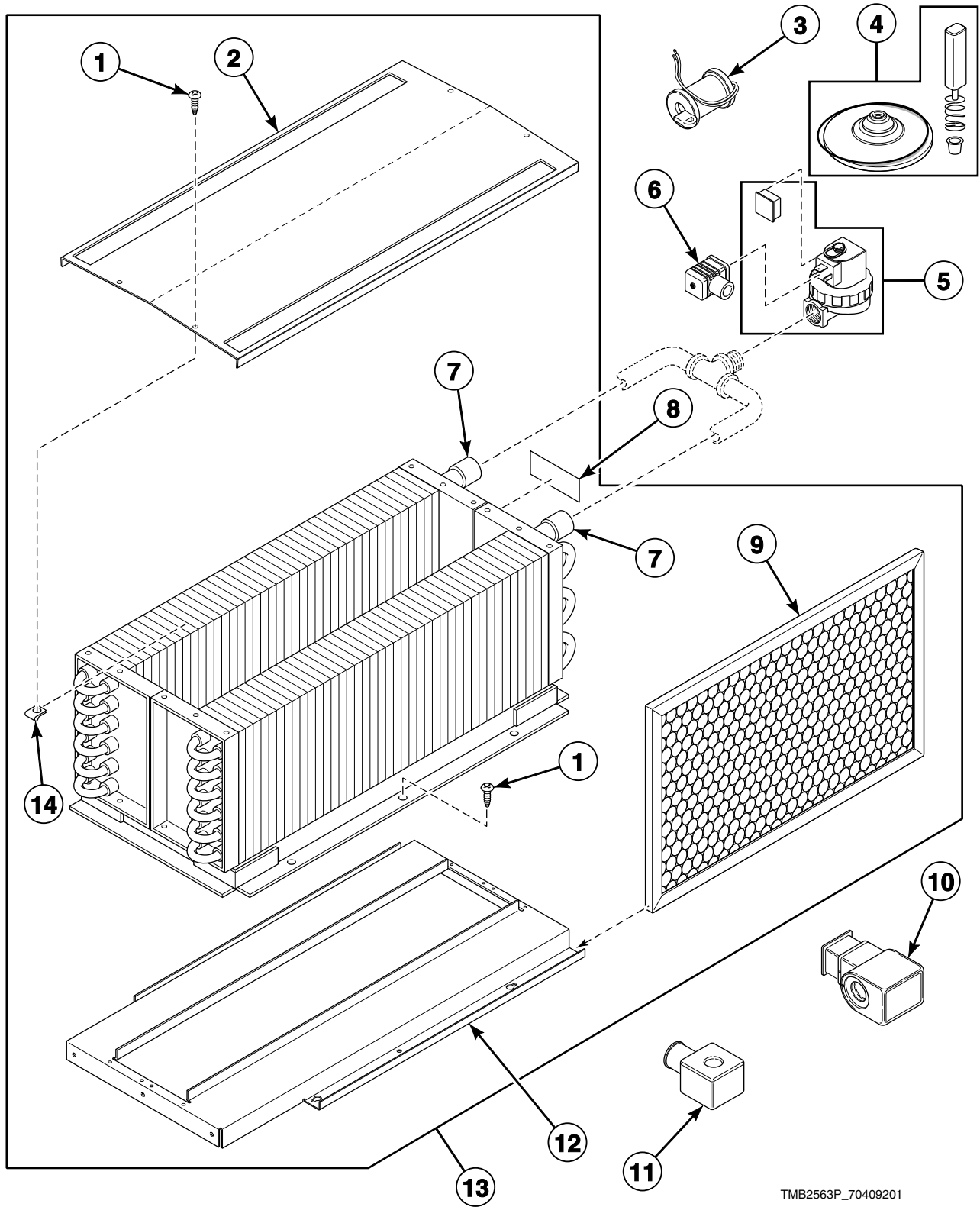


TMB2807P_70409201

Airflow Switch Assembly

REF	PART NO.	DESCRIPTION	COMMENTS
1	M413689	Airflow Switch Harness Assembly	
2	M401938	Screw	
3	M400944	Airflow Switch	Non-CE models
	M412423	Actuator Switch	CE models
4	M400712	Airflow Switch Insulator Barrier	
5	M409202	Airflow Switch Bracket	
6	430497	Screw	2 required
7	M403235	Airflow Switch Handy Box	
8	M400664	Screw	
9	M400541	Vane Assembly	
10	M400977	Nut	
11	M413475	Airflow Switch Vane	STF and UTF models
	M400253	Vane	All other models
12	M400753	Airflow Switch Vane Lever	
13	M400822	Counterweight	
14	M400976	Clip	
15	51780	Screw	
16	M410544	Airflow Switch Guard	
17	M400072	Screw	
18	M400979	Nut	
19	M401883	Airflow Switch Assembly	Includes 2-5 and 18

Steam Heater and Valve



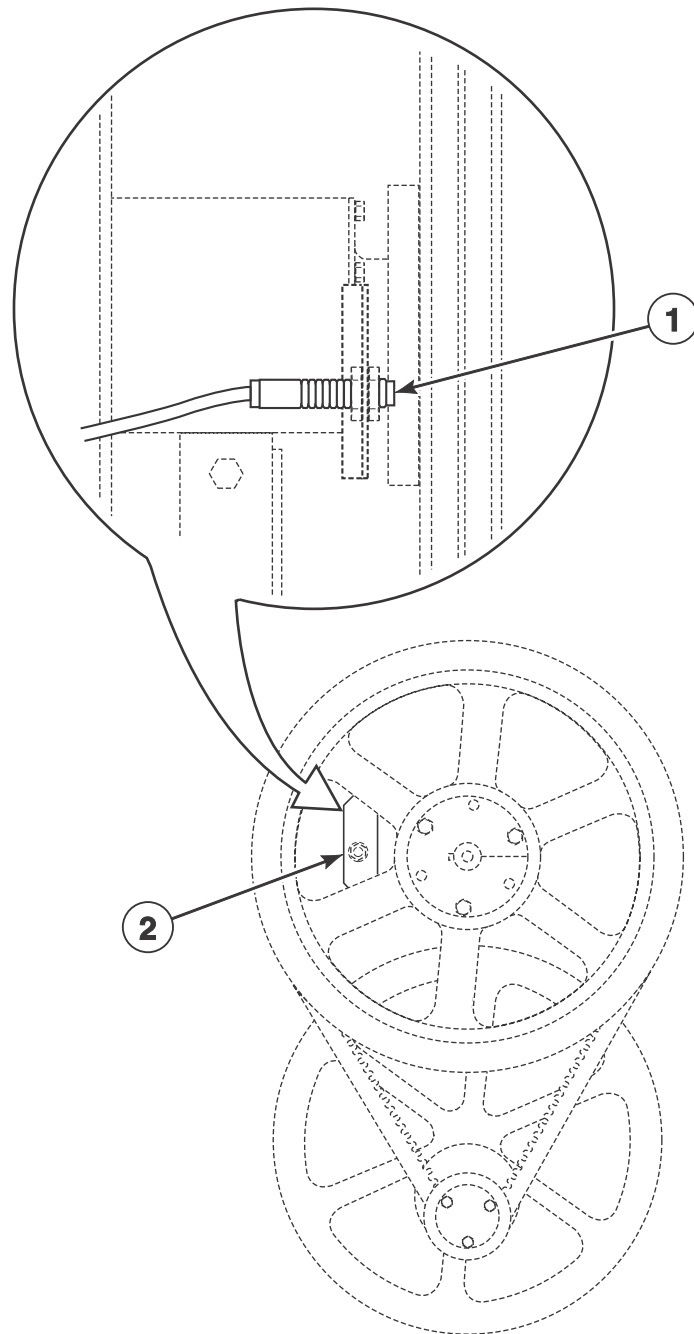
TMB2563P_70409201

Steam Heater and Valve

REF	PART NO.	DESCRIPTION	COMMENTS
	M405188	Screw	Thermal oil models; 8 required
	33562	Screw	Thermal oil models; 4 required
	M414760	Top Cover	Thermal oil models
	F8382301	DIN Valve Adapter Kit	Use with F8322902 Steam Valve
1	430497	Screw	
2	M400828	Low Pressure Steam Cover	
3	70205701P	Steam Valve Coil	All models except thermal oil models; Models through 2/28/05; 60 Hertz; 24 Volt
	M412258	Steam Valve Coil	All models except thermal oil models; Models through 2/28/05; 50 Hertz; 24 Volt
	F8514801	Valve Coil	Use with F8322902 Steam Valve
4	F8379502	Valve Rebuild Kit	All models except thermal oil models
5	F8521701	Valve Kit	All models except thermal oil models; 60 Hertz; Parker
	F8322903	Steam Valve	All models except thermal oil models; 50 Hertz; Asco
	F8322902	Steam Valve	All models except thermal oil models; 60 Hertz; Asco
6	70370301P	Solenoid Valve DIN Connector	All models except thermal oil models
7	M400637P	Steam Coil	2 required; All models except thermal oil models
8	902303	Steam Pressure Label	All models except thermal oil models; Near inlet to indicate maximum steam pressure
9	44172001	Filter	2 required; Aluminum
	44104201	Air Filter	2 required; Fiberglass
10	70351012	Steam Solenoid	All models except thermal oil models; Models starting 3/1/05; 50 Hertz
11	70351011P	Steam Solenoid	All models except thermal oil models; Models starting 3/1/05; 60 Hertz
12	44007501	Steam Stand Box	
13	44020401P	Steam Heater Assembly	All models except thermal oil models
14	M400974	Clip	

Rotation Sensor

B, C and I Models

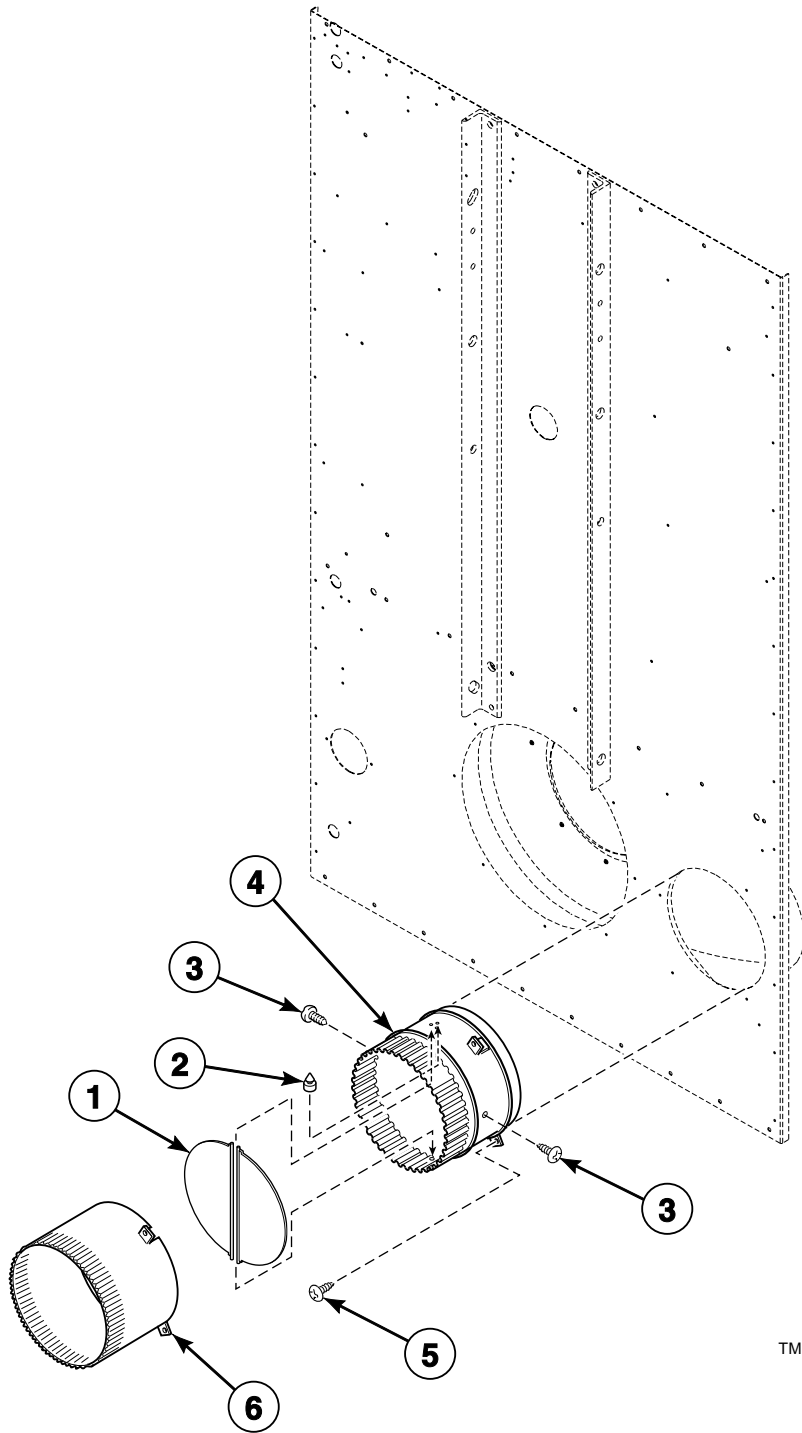


TMB2009P_70409201

Rotation Sensor

REF	PART NO.	DESCRIPTION	COMMENTS
1	7009P	Rotation Sensor Kit	C and I models; Includes plug
	70417401P	Rotation Sensor Assembly	B models; Includes plug
2	44044501	Proximity Bracket	

Duct and Damper Assembly

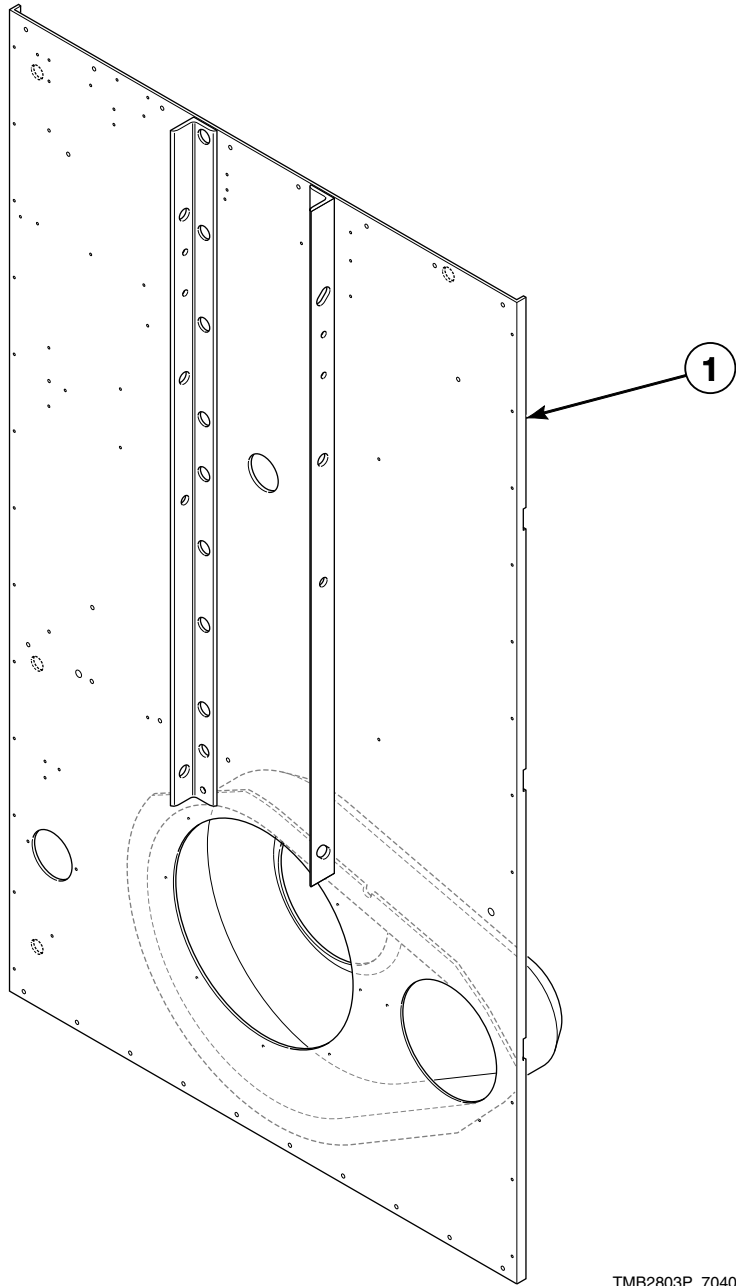


TMB2903P_70409201

Duct and Damper Assembly

REF	PART NO.	DESCRIPTION	COMMENTS
1	M413382	Thimble Vane Assembly	STF and UTF models; 2 required
	M400503	Thimble Vane Assembly	All other models; 2 required
2	M400795	Bumper	
3	M405188	Screw	2 required
4	M412288	Exhaust Thimble Assembly	All models except STF75L, STF75N, UTF75L and UTF75N
5	M411072	Screw	3 required
6	M413173	Exhaust Thimble	STF and UTF models

Rear Panel Assembly



TMB2803P_70409201

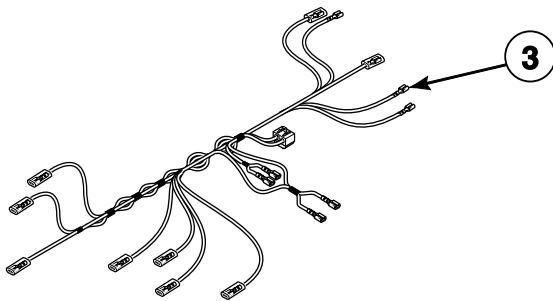
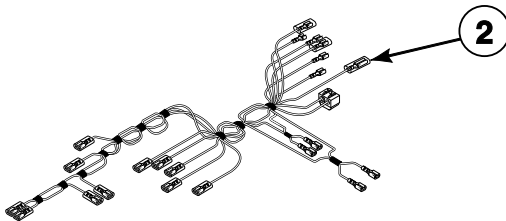
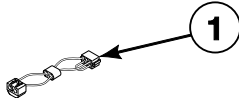
Rear Panel Assembly

REF	PART NO.	DESCRIPTION	COMMENTS
1	N/A	Rear Panel Assembly	STF and UTF models
	M414747	Rear Panel Assembly	All other models

N/A = Part no longer available

Contactor Box Assembly Harnesses (Drawing 1 of 3)

Use with Contactor Box Assembly (Drawing 1 of 21)
Non-CE Gas, Steam and Electric Nonreversing Models



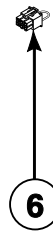
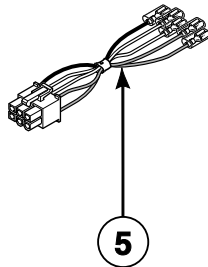
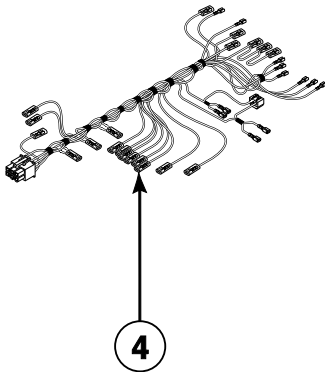
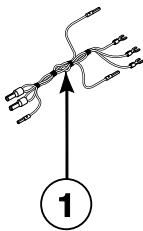
TMB2773P_70409201

Contactor Box Assembly Harnesses (Drawing 1 of 3)

REF	PART NO.	DESCRIPTION	COMMENTS
1	M413507	Jumper Configuration Assembly	240 Volt
	M413506	Jumper Harness Assembly	208 Volt; Use on 200 and 200-208 Volt
2	M413683P	Control Box Harness Assembly	3 Phase
3	44005801	Control Box Harness	2 wire
	44005901	Control Box Harness	3 wire; Gas and steam models

Contactor Box Assembly Harnesses (Drawing 2 of 3)

Use with Contactor Box Assembly (Drawing 3 of 21)
Non-CE Gas, Steam and Electric Reversing Models Except N Models



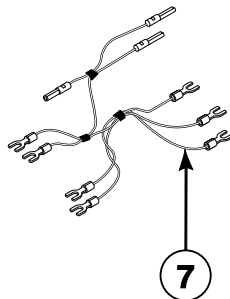
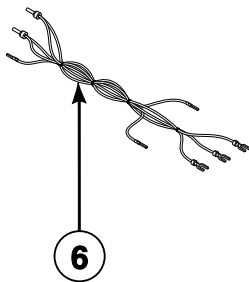
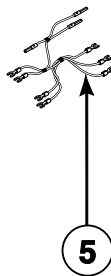
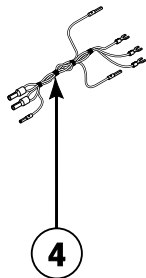
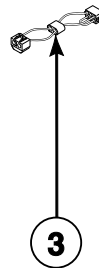
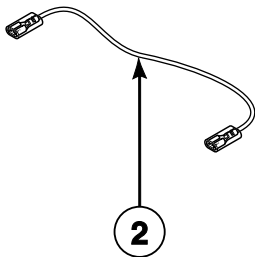
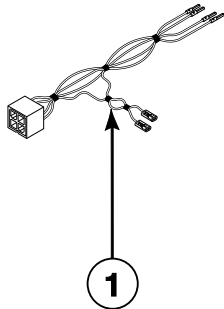
TMB2774P_70409201

Contactor Box Assembly Harnesses (Drawing 2 of 3)

REF	PART NO.	DESCRIPTION	COMMENTS
1	M413695	Reversing Contactor Jumper Assembly	Lower; 1 Phase
2	M413624	Reversing Contactor Jumper Assembly	Upper; 3 Phase
3	M413506	Jumper Harness Assembly	208 Volt; 200 Volt/50 Hertz/3 Phase and 200-208 Volt/60 Hertz/3 Phase
	M413507	Jumper Configuration Assembly	240 Volt; 200-208 or 240 Volt/50 or 60 Hertz/1 or 3 Phase and 230-240 Volt/50 Hertz/1 or 3 Phase
4	M413684P	Contactor Box Harness Assembly	200 Volt/50 Hertz/3 Phase, 200-208 or 240 Volt/50 or 60 Hertz/3 Phase and 230-240 Volt/50 Hertz/3 Phase
	44006001	Control Box Harness	230-240 or 240 Volt/50 Hertz/1 Phase
5	44008001	Reversing Timer Harness	RT control suffix
6	M413168	Bypass Harness Assembly	R3, RD, RM and RQ control suffixes

Contactor Box Assembly Harnesses (Drawing 3 of 3)

Use with Contactor Box Assembly (Drawing 15 of 21)
CE Electric Models



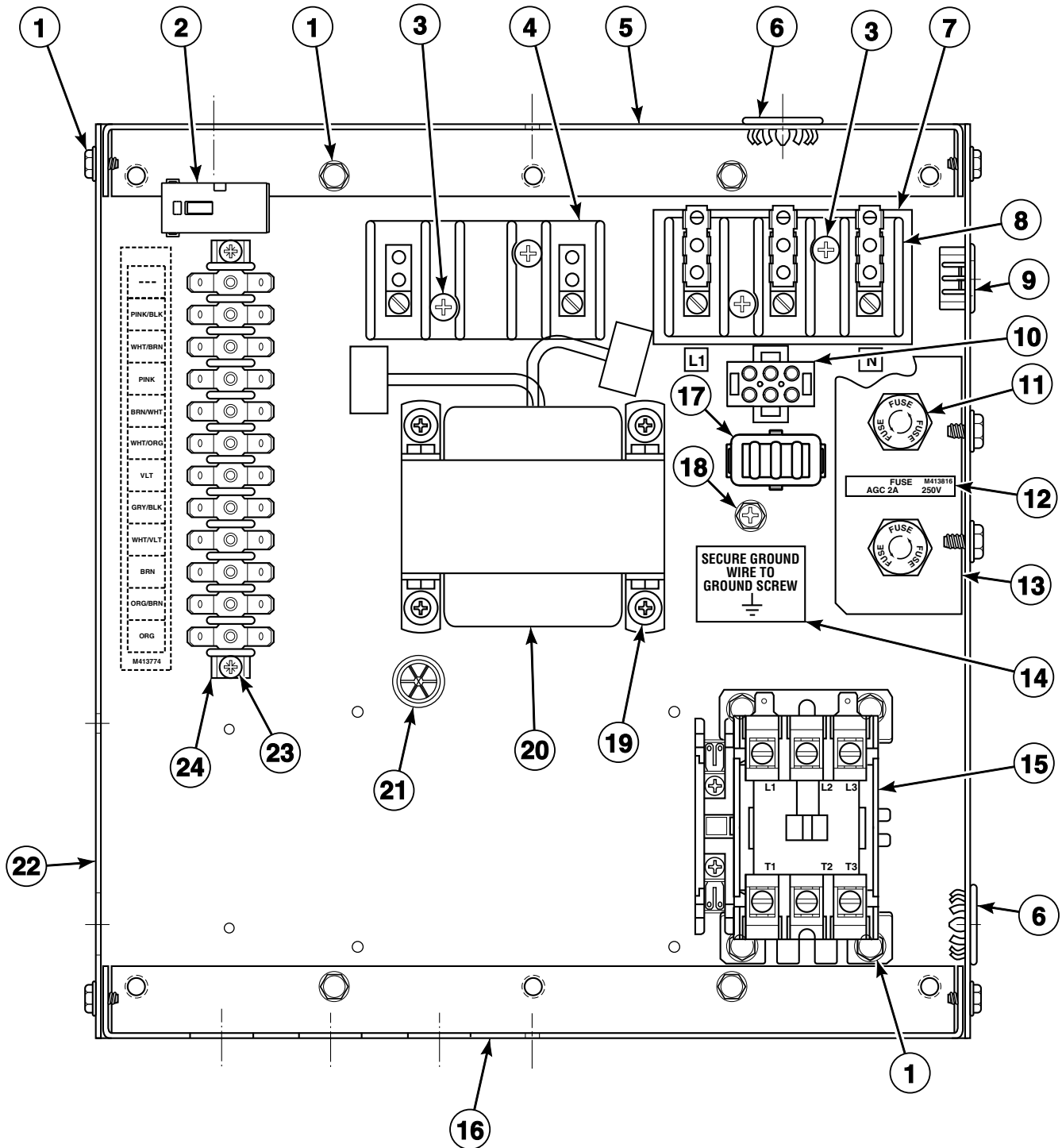
TMB2775P_70409201

Contactor Box Assembly Harnesses (Drawing 3 of 3)

REF	PART NO.	DESCRIPTION	COMMENTS
1	M414028	Transformer Harness Assembly	Primary
	M414029	Transformer Harness Assembly	Secondary
	44043101	Transformer Harness	Secondary; DO, DV, DX and RD control suffixes
2	M412740	Jumper Cable Wire	8 gauge; 6 required
	44014501	Jumper Wire	3 required
	44014601	Jumper Wire	3 required
	44014701	Jumper Wire	3 required
	M413934	Jumper Cable Assembly	3 required
3	M413507	Jumper Configuration Assembly	240 Volt; 3O, 3V, 3X, DO, DV, DX, OM, R3, RD and RM control suffixes
	M413506	Jumper Harness Assembly	208 Volt
4	M414078	Jumper Harness Assembly	3O, 3V, 3X, DO, DV, DX, OM, R3, RD and RM control suffixes
5	M412928	Reversing Jumper Harness Assembly	Upper; 2 required; R3, RD and RM control suffixes
	M412929	Reversing Jumper Harness Assembly	Lower; R3, RD and RM control suffixes
6	M412871	Jumper Harness Assembly	400 Volt; BC, BL, BU, BX, BY, NC, NR, NX, NY, ZC, ZR, ZX and ZY control suffixes
7	M414034	Reversing Contactor Harness Assembly	R3, RD and RM control suffixes

Contactor Box Assembly (Drawing 1 of 21)

Non-CE Gas, Steam and Electric Nonreversing Models
 120 Volt/60 Hertz/1 Phase; 230-240 or 240 Volt/50 Hertz/1 Phase;
 200-208 or 240 Volt/50 or 60 Hertz/1 or 3 Phase; 200 or 230-240 Volt/50 Hertz/3 Phase



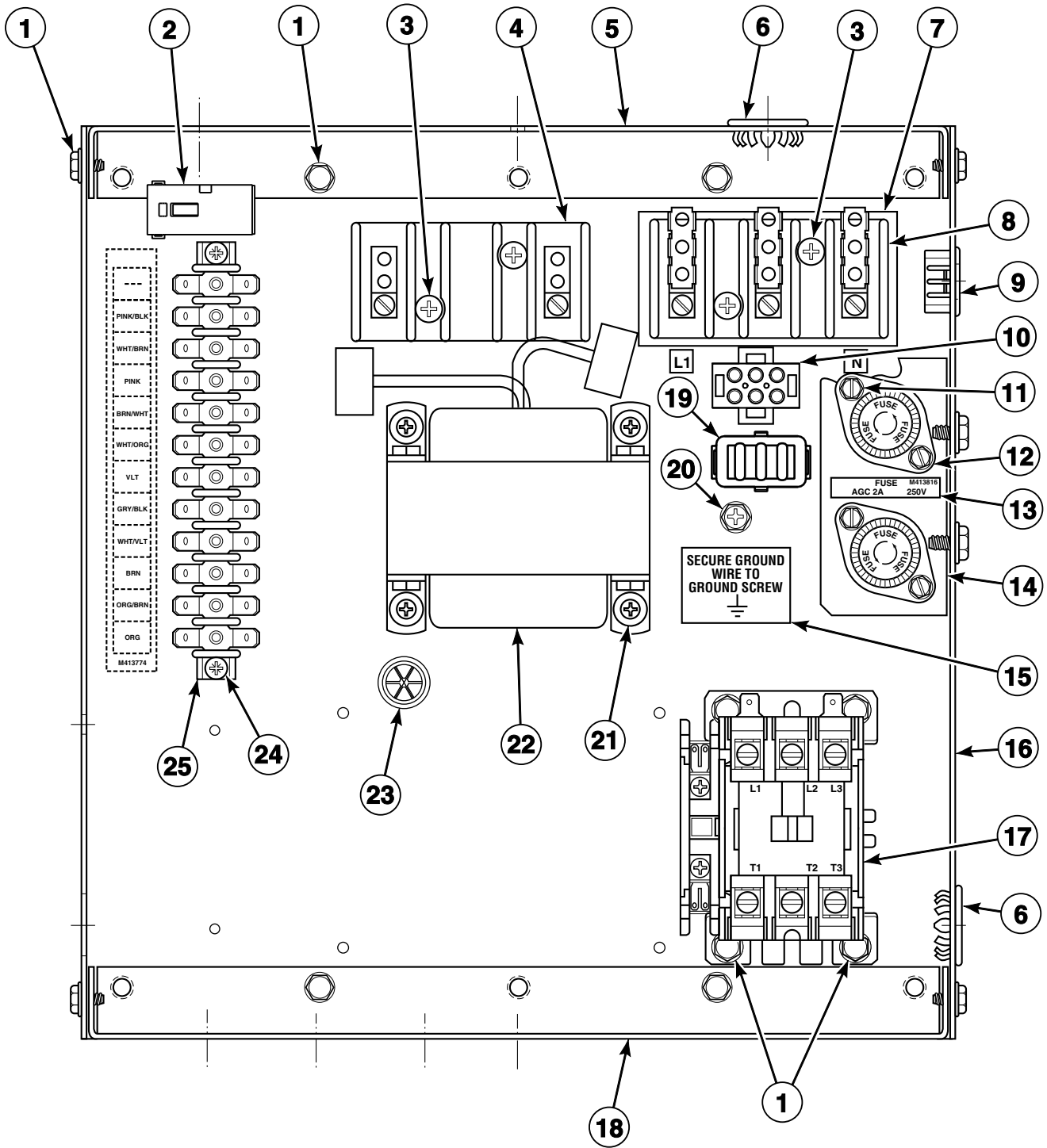
TMB2717P_70409201

Contactor Box Assembly (Drawing 1 of 21)

REF	PART NO.	DESCRIPTION	COMMENTS
	M413760	Contactora Box Cover	Gas and steam models
	M413856	Electric Accessory Box Cover	Electric models
	44127701	Warning Label	Extended tumble; On cover
1	51780	Screw	18 required for 200-208 or 240 Volt/50 or 60 Hertz/1 or 3 Phase and 200 or 230-240 Volt/50 Hertz/3 Phase; 14 required for 120 Volt/60 Hertz/1 Phase and 230-240 or 240 Volt/50 Hertz/1 Phase
2	M413930P	Ferrite Core Assembly	OM control suffix
3	M405824	Screw	4 required
4	M405364	Terminal Block	2 pole
5	M413757	Contactora Box End	Top
6	M400985	Plug	7/8 inch; 2 required
7	M413862	Insulator	
8	430642	Terminal Block	3 pole
9	M400770	Snap Bushing	7/8 inch; Electric models
10	M413878	Network Capacitor Harness Assembly	3O, 3V, 3X, DO, DV, DX and OM control suffixes
11	91024P	Fuse Receptacle	250 Volt; 2 required for 200-208 or 240 Volt/50 or 60 Hertz/1 or 3 Phase and 200 or 230-240 Volt/50 Hertz/3 Phase; 1 required for 120 Volt/60 Hertz/1 Phase and 230-240 or 240 Volt/50 Hertz/1 Phase
	M413118	Fuse	250 Volt; 2 Amp; 2 required for 200-208 or 240 Volt/50 or 60 Hertz/1 or 3 Phase and 200 or 230-240 Volt/50 Hertz/3 Phase; 1 required for 120 Volt/60 Hertz/1 Phase and 230-240 or 240 Volt/50 Hertz/1 Phase
12	M413816	Fuse Sticker	2 Amp
13	M413575	Fuse Holder Bracket	
14	M403047	Secure Ground Label	Electrical
15	M413614P	Fan Contactora	200-208 or 240 Volt/50 or 60 Hertz/1 or 3 Phase, 200 or 230-240 Volt/50 Hertz/3 Phase and 120 Volt/60 Hertz/1 Phase and 230-240 or 240 Volt/50 Hertz/1 Phase
16	M413758	Contactora Box End	Bottom
17	M413863	Network Capacitor Assembly	3O, 3V, 3X, DO, DV, DX and OM control suffixes
18	M402917	Screw	Ground; Gas and steam models
19	M400044	Screw	4 required; Use with 4 of 23951 Nut to attach item 20
20	M414230P	Transformer	120 Volt; Single secondary; 120 Volt/60 Hertz/1 Phase with CD, CX, CY, MT, QT, SD and SX control suffixes
	M414312P	Transformer	Dual secondary; 120 Volt/60 Hertz/1 Phase with 3O, 3V, 3X, BC, BL, BU, BX, BY, DO, DV, DX, NC, NR, NX, NY, OM, ZC, ZR, ZX and ZY control suffixes
	M414228P	Transformer	Dual secondary; Multitap; 100-240 Volt; 200, 200-208, 230-240 or 240 Volt/50 or 60 Hertz/1 or 3 Phase
21	M411537	Bushing	5/8 inch
22	44028401	Contactora Box Wrapper	
23	51778	Screw	2 required for 200-208 or 240 Volt/50 or 60 Hertz/1 or 3 Phase and 200 or 230-240 Volt/50 Hertz/3 Phase; 4 required for 120 Volt/60 Hertz/1 Phase and 230-240 or 240 Volt/50 Hertz/1 Phase
24	M413542	Terminal Strip	12 circuit

Contactor Box Assembly (Drawing 2 of 21)

Non-CE Gas, Steam and Electric Nonreversing Models
 380, 400-415 or 415 Volt/50 Hertz/3 Phase; 460-480 or 480 Volt/60 Hertz/3 Phase



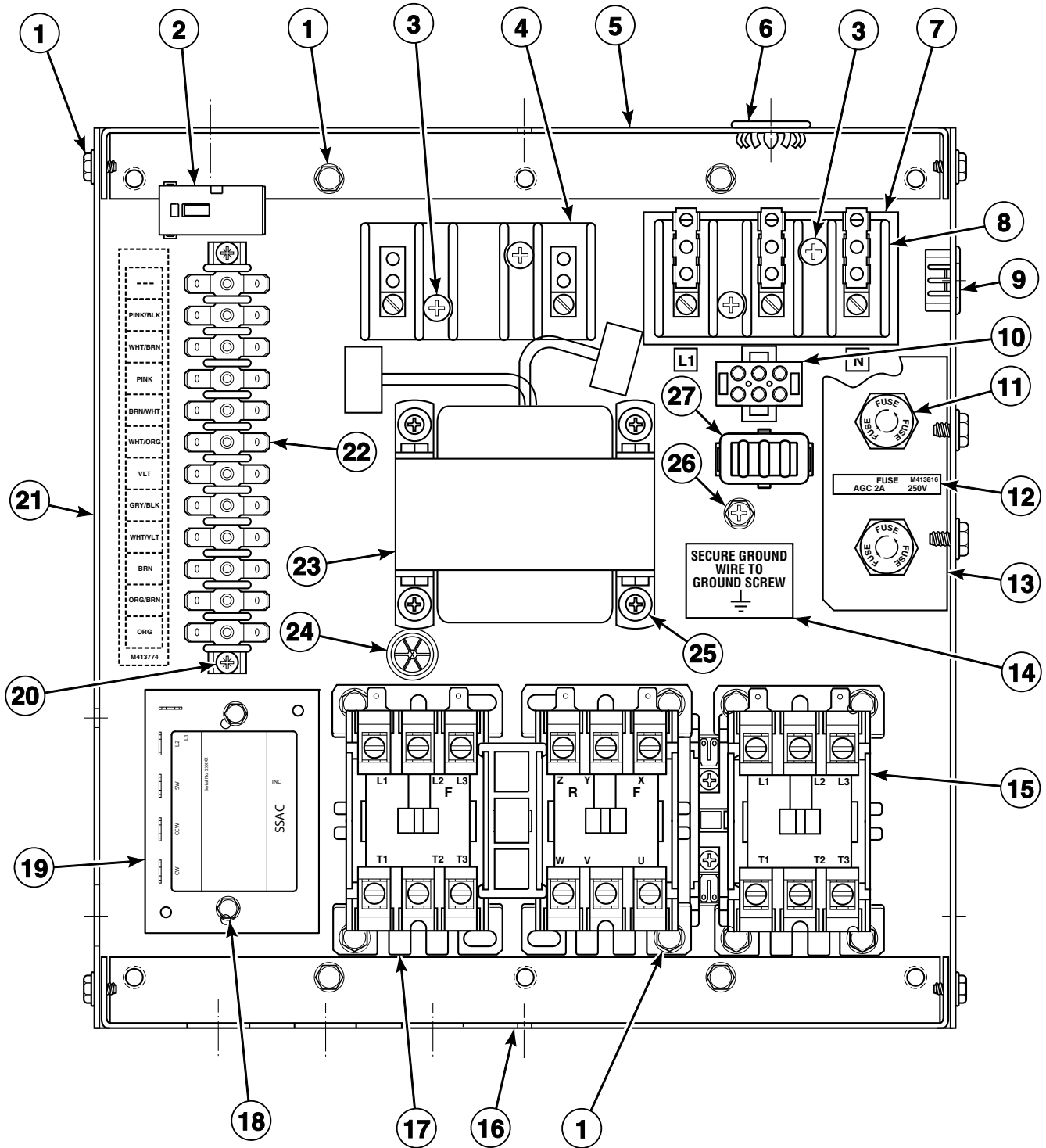
TMB2718P_70409201

Contactor Box Assembly (Drawing 2 of 21)

REF	PART NO.	DESCRIPTION	COMMENTS
	M413508	Jumper Harness Assembly	380 Volt; Use on 380, 400-415 or 415 Volt
	M413509	Jumper Harness Assembly	415 Volt
	M413510	Jumper Configuration Assembly	480 Volt; Use on 460-480 or 480 Volt
	M413683P	Control Box Harness Assembly	
	M413760	Contactor Box Cover	Gas and steam models
	M413856	Electric Accessory Box Cover	Electric models
	44127701	Warning Label	Extended tumble; On cover
1	51780	Screw	18 required
2	M413930P	Ferrite Core Assembly	OM control suffix
3	M405824	Screw	4 required
4	M405364	Terminal Block	2 pole
5	M413757	Contactor Box End	Top
6	M400985	Plug	7/8 inch; 2 required
7	M413862	Insulator	
8	430642	Terminal Block	3 pole
9	M400770	Snap Bushing	7/8 inch; Electric models
10	M413878	Network Capacitor Harness Assembly	3O, 3V, 3X, DO, DV, DX and OM control suffixes
11	D501086	Screw	4 required
12	M413544P	Fuse Holder	600 Volt; 2 required
	44310001	Fuse	2 required; 500 Volt; 1/2 Amp
13	M413817	Fuse Sticker	1/2 Amp
14	M413576	Fuse Holder Bracket	
15	M403047	Secure Ground Label	Electrical
16	44028401	Contactor Box Wrapper	
17	M413614P	Fan Contactor	
18	M413758	Contactor Box End	Bottom
19	M413863	Network Capacitor Assembly	3O, 3V, 3X, DO, DV, DX and OM control suffixes
20	M402917	Screw	Ground; Gas and steam models
21	M400044	Screw	4 required; Use with 4 of 23951 Nut to attach item 22
22	M414229P	Transformer	Multitap; 380-480 Volt
	44074401	Transformer	440 Volt; Secondary; Models with the 9th and 10th characters of P1
23	M411537	Bushing	5/8 inch
24	51778	Screw	2 required
25	M413542	Terminal Strip	12 circuit

Contactor Box Assembly (Drawing 3 of 21)

Non-CE Gas, Steam and Electric Reversing Models Except N Models
 230-240 or 240 Volt/50 Hertz/1 Phase; 200 Volt/50 Hertz/3 Phase;
 200-208 or 240 Volt/50 or 60 Hertz/3 Phase; 230-240 Volt/50 Hertz/3 Phase



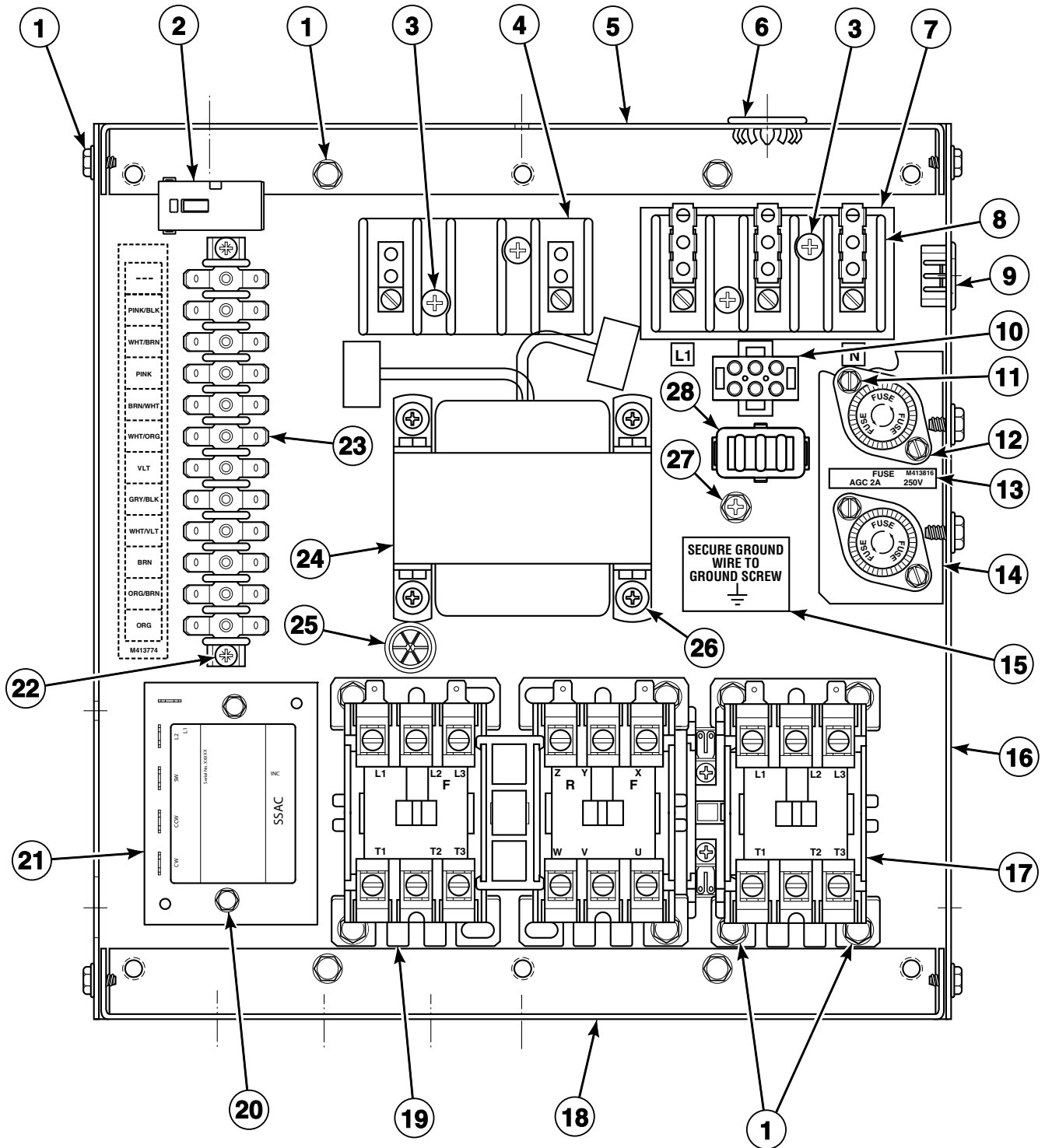
TMB2719P_70409201

Contactor Box Assembly (Drawing 3 of 21)

REF	PART NO.	DESCRIPTION	COMMENTS
	M413760	Contactactor Box Cover	Gas and steam models
	M413856	Electric Accessory Box Cover	Electric models
	44127701	Warning Label	Extended tumble; On cover
1	51780	Screw	22 required for 200 Volt/50 Hertz/3 Phase, 200-208 or 240 Volt/50 or 60 Hertz/3 Phase and 230-240 Volt/50 Hertz/3 Phase; 18 required for 230-240 or 240 Volt/50 Hertz/1 Phase
2	M413930P	Ferrite Core Assembly	RM control suffix
3	M405824	Screw	4 required
4	M405364	Terminal Block	2 pole
5	M413757	Contactactor Box End	Top
6	M400985	Plug	7/8 inch
7	M413862	Insulator	
8	430642	Terminal Block	3 pole
9	M400770	Snap Bushing	7/8 inch; Electric models
10	M413878	Network Capacitor Harness Assembly	R3, RD and RM control suffixes
11	91024P	Fuse Receptacle	250 Volt; 2 required for 200 Volt/50 Hertz/3 Phase, 200-208 or 240 Volt/50 or 60 Hertz/3 Phase and 230-240 Volt/50 Hertz/3 Phase; 1 required for 230-240 or 240 Volt/50 Hertz/1 Phase
	M413118	Fuse	250 Volt; 2 Amp; 2 required for 200 Volt/50 Hertz/3 Phase, 200-208 or 240 Volt/50 or 60 Hertz/3 Phase and 230-240 Volt/50 Hertz/3 Phase; 1 required for 230-240 or 240 Volt/50 Hertz/1 Phase
12	M413816	Fuse Sticker	2 Amp
13	M413575	Fuse Holder Bracket	
14	M403047	Secure Ground Label	Electrical
15	M413614P	Fan Contactactor	200 Volt/50 Hertz/3 Phase, 200-208 or 240 Volt/50 or 60 Hertz/3 Phase, 230-240 Volt/50 Hertz/3 Phase and 230-240 or 240 Volt/50 Hertz/1 Phase
	D502501	Relay	24 Volt; 230-240 or 240 Volt/50 Hertz/1 Phase
16	M413758	Contactactor Box End	Bottom
17	M413615P	Reversing Contactactor	
18	M412105	Screw	2 required; RT control suffix
19	M412081	Reversing Timer	24 Volt; RT control suffix
20	51778	Screw	2 required for 200 Volt/50 Hertz/3 Phase, 200-208 or 240 Volt/50 or 60 Hertz/3 Phase and 230-240 Volt/50 Hertz/3 Phase; 4 required for 230-240 or 240 Volt/50 Hertz/1 Phase
21	44028401	Contactactor Box Wrapper	
22	M413542	Terminal Strip	12 circuit
23	M414228P	Transformer	Dual secondary; Multitap; 100-240 Volt
24	M411537	Bushing	5/8 inch
25	M400044	Screw	4 required; Use with 4 of 23951 Nut to attach item 23
26	M402917	Screw	Ground; Gas and steam models
27	M413863	Network Capacitor Assembly	R3, RD and RM control suffixes

Contactor Box Assembly (Drawing 4 of 21)

Non-CE Gas, Steam and Electric Reversing Models Except N Models
 380, 400-415 or 415 Volt/50 Hertz/3 Phase; 460-480 or 480 Volt/60 Hertz/3 Phase



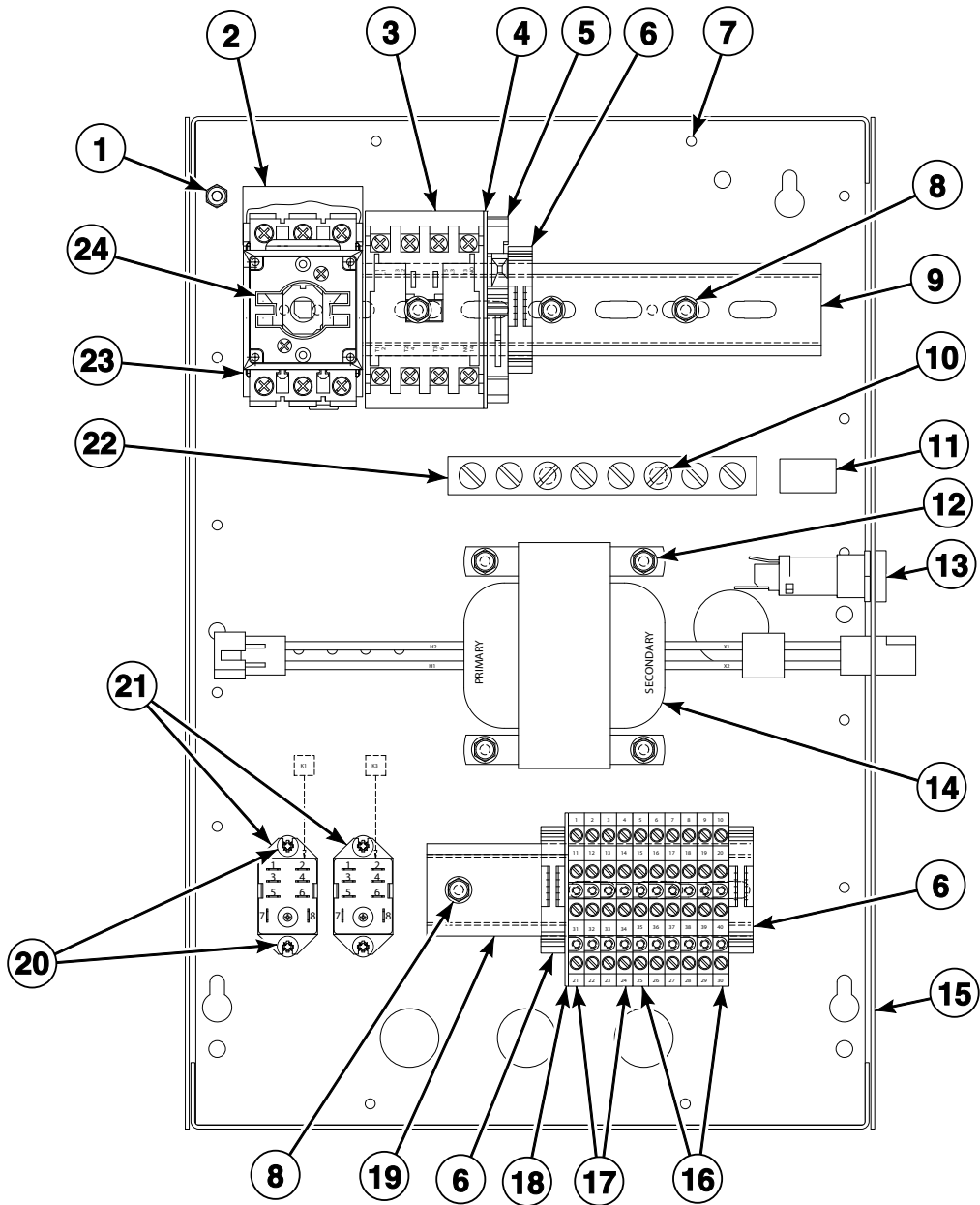
TMB2720P_70409201

Contactor Box Assembly (Drawing 4 of 21)

REF	PART NO.	DESCRIPTION	COMMENTS
	M413508	Jumper Harness Assembly	380 Volt; 380, 400-415 or 415 Volt/50 Hertz/3 Phase
	M413509	Jumper Harness Assembly	415 Volt
	M413510	Jumper Configuration Assembly	480 Volt; 460-480 or 480 Volt/60 Hertz/3 Phase
	M413684P	Contactor Box Harness Assembly	
	M413168	Bypass Harness Assembly	R3, RD, RM and RQ control suffixes
	M413624	Reversing Contactor Jumper Assembly	Upper; 3 Phase
	44008001	Reversing Timer Harness	RT control suffix
	M413760	Contactor Box Cover	Gas and steam models
	M413856	Electric Accessory Box Cover	Electric models
	44127701	Warning Label	Extended tumble; On cover
1	51780	Screw	22 required
2	M413930P	Ferrite Core Assembly	RM control suffix
3	M413757	Contactor Box End	Top
4	M405824	Screw	4 required
5	M405364	Terminal Block	2 pole
6	M400985	Plug	7/8 inch
7	M413862	Insulator	
8	430642	Terminal Block	3 pole
9	M400770	Snap Bushing	7/8 inch; Electric models
10	M413878	Network Capacitor Harness Assembly	R3, RD and RM control suffixes
11	D501086	Screw	4 required
12	M413544P	Fuse Holder	600 Volt; 2 required
	44310001	Fuse	2 required; 500 Volt; 1/2 Amp
13	M413817	Fuse Sticker	1/2 Amp
14	M413576	Fuse Holder Bracket	
15	M403047	Secure Ground Label	Electrical
16	44028401	Contactor Box Wrapper	
17	M413614P	Fan Contactor	
18	M413758	Contactor Box End	Bottom
19	M413615P	Reversing Contactor	
20	M412105	Screw	2 required; RT control suffix
21	M412081	Reversing Timer	24 Volt; RT control suffix
22	51778	Screw	2 required
23	M413542	Terminal Strip	12 circuit
24	M414229P	Transformer	Multitap; 380-480 Volt
	44074401	Transformer	440 Volt; Secondary; Models with the 9th and 10th characters of P1
25	M411537	Bushing	5/8 inch
26	M400044	Screw	4 required; Use with 4 of 23951 Nut to attach item 24
27	M402917	Screw	Ground; Gas and steam models
28	M413863	Network Capacitor Assembly	R3, RD and RM control suffixes

Contactor Box Assembly (Drawing 5 of 21)

CE Gas and Steam Models Except K and L Models
Models with MT and QT Control Suffixes and SD and SX Control Suffixes Starting 1/1/07;
230 Volt/50 Hertz/1 Phase



TMB2605P_70409201

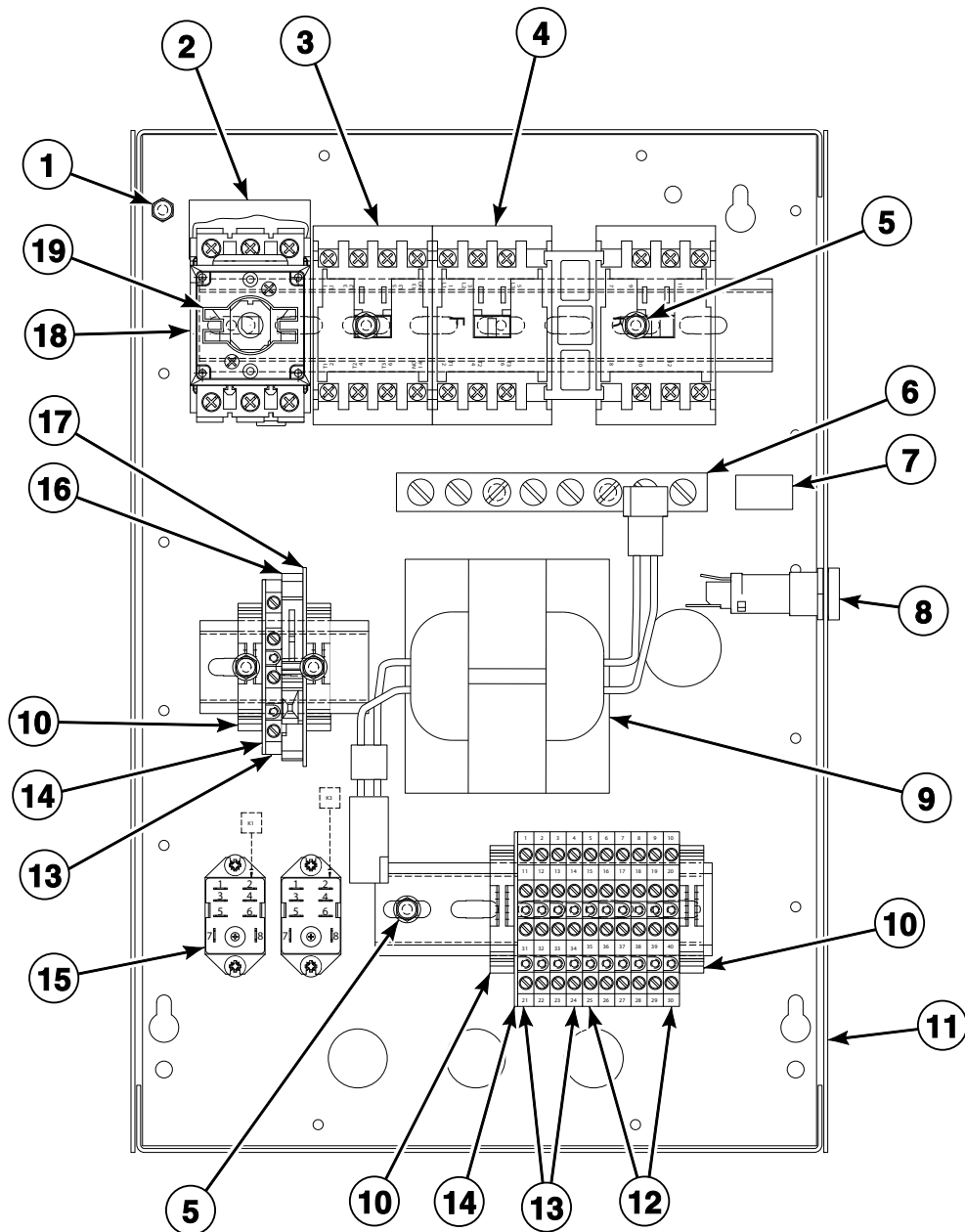
Contactor Box Assembly (Drawing 5 of 21)

REF	PART NO.	DESCRIPTION	COMMENTS
	M412636	Relay Harness Assembly	K1, K2, K3
	M412641	Transformer Harness Assembly	Secondary
	M412642	Transformer Harness Assembly	Primary; 240 Volt
	M412650	Junction Box Cover	Use 2 of M400713 Drive Rivet to secure cover to junction box; Use M412368 Door Interlock to mount M412208 Handle to cover
	44127701	Warning Label	Extended tumble; On junction box cover
1	430497	Screw	18 required; To secure junction box to backplane
2	M412366	Finger Guard	20 Amp
3	70323701P	Contactor	9 Amp
4	M412540	End Section	
5	M412537	Terminal Block	230 Volt primary; Use D502593 Fuse
6	70121001	End Stop	230 Volt; 3 required
7	N/A	Junction Box Bottom	
8	51780	Screw	5 required
9	N/A	Din Rail	
10	M412688	Nut	2 required
11	M412096	Earth Terminal Sticker	
12	33562	Screw	4 required
13	D502591P	Fuse Holder Kit	Includes D502591 Fuse Holder Body and D502811 Fuse Carrier
	D502592	Fuse	
14	M412477P	Transformer	240 Volt
15	M412649	Junction Box Side	2 required
16	M412631	Terminal Block	2 circuit; 6 required
17	M412632	Terminal Block	1 circuit; 4 required
18	M412633	End Barrier	
19	N/A	Din Rail	
20	D501086	Screw	4 required
21	M412534	Relay	24 Volt; 2 required
22	M412656	Ground Buss Assembly	
23	M412187P	Mounting Switch Base	20 Amp
24	M412370	Extension Handle	20 Amp; Includes screws

N/A = Part no longer available

Contactor Box Assembly (Drawing 6 of 21)

CE Gas and Steam Reversing Models
230 Volt/50 Hertz/1 Phase



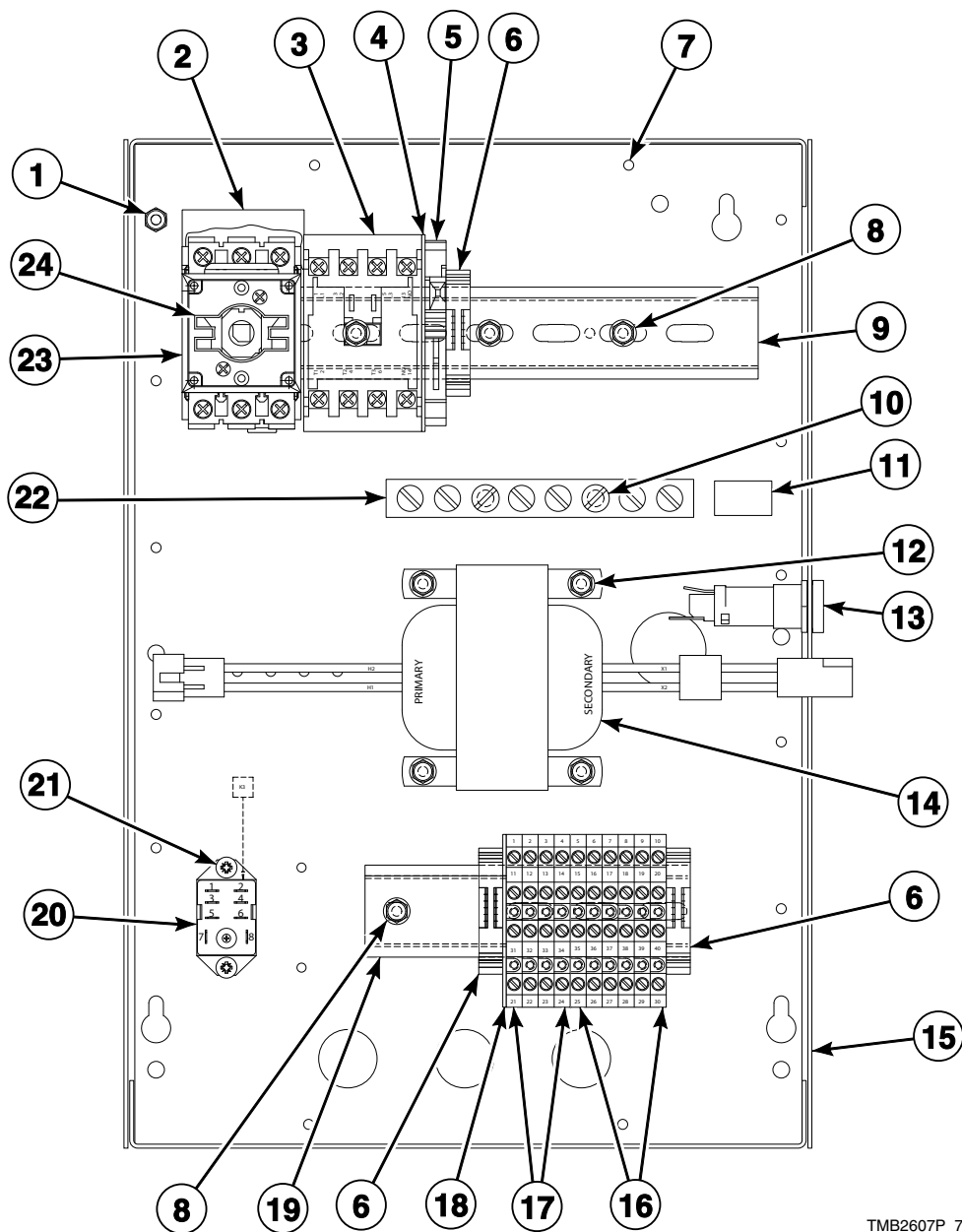
TMB2721P_70409201

Contactor Box Assembly (Drawing 6 of 21)

REF	PART NO.	DESCRIPTION	COMMENTS
	M412636	Relay Harness Assembly	Gas models; RT control suffix
	M414224	Relay Harness Assembly	Gas models; R3, RD, RM and RQ control suffixes
	M414032	Relay Harness Assembly	Steam models; R3, RD, RM and RQ control suffixes
	M412641	Transformer Harness Assembly	Secondary; RQ and RT control suffixes
	M412642	Transformer Harness Assembly	Primary; 240 Volt; RQ and RT control suffixes
	M414076	Transformer Harness Assembly	Primary; R3, RD and RM control suffixes
	M414029	Transformer Harness Assembly	Secondary; R3, RD and RM control suffixes
	44043101	Transformer Harness	Secondary; R3 and RD control suffixes
	M413507	Jumper Configuration Assembly	240 Volt
	M413506	Jumper Harness Assembly	208 Volt
	M413863	Network Capacitor Assembly	R3, RD and RM control suffixes
	M414034	Reversing Contactor Harness Assembly	R3, RD, RM and RQ control suffixes
	M412927	Reversing Jumper Harness Assembly	Lower
	M412650	Junction Box Cover	Use 2 of M400713 Drive Rivet to secure cover to junction box; Use M412368 Door Interlock to mount M412208 Handle to cover
	44127701	Warning Label	Extended tumble; On junction box cover
1	430497	Screw	18 required; To secure junction box to backplane
2	M412366	Finger Guard	20 Amp
3	70323701P	Contactor	9 Amp
4	M412405P	Reversing Contactor	
5	51780	Screw	6 required
6	M412656	Ground Buss Assembly	Use 2 of M412688 Nut to attach
7	M412096	Earth Terminal Sticker	
8	D502591P	Fuse Holder Kit	Includes D502591 Fuse Holder Body and D502811 Fuse Carrier
	D502592	Fuse	RQ and RT control suffixes
	M413889	Fuse	4 Amp; R3, RD and RM control suffixes
9	M412477P	Transformer	Multitap; 230 Volt; RQ and RT control suffixes; Use 4 of 33562 Screw to attach
	M414228P	Transformer	Dual secondary; Multitap; 100-240 Volt; R3, RD and RM control suffixes; Use 4 of M400044 Screw and 4 of 23951 Nut to attach
10	70121001	End Stop	230 Volt; 4 required
11	M412649	Junction Box Side	2 required
12	M412631	Terminal Block	2 circuit; 6 required
13	M412632	Terminal Block	1 circuit; 4 required
14	M412633	End Barrier	2 required
15	M412534	Relay	24 Volt; 1 required, using 2 of D501086 Screw for RQ and RT control suffixes and 2 of M400071 Screw for R3, RD and RM control suffixes for steam models; 2 required, using 4 of D501086 Screw for RQ and RT control suffixes and 4 of M400071 Screw for R3, RD and RM control suffixes for gas models
16	M412537	Terminal Block	230 Volt; Primary; Use 502593 or M413867 Fuse
17	M412540	End Section	
18	M412187P	Mounting Switch Base	20 Amp
19	M412370	Extension Handle	20 Amp

Contactor Box Assembly (Drawing 7 of 21)

CE Gas C, H, P and S Models
Models with CD, CX and CY Control Suffixes;
230 Volt/50 Hertz/1 Phase



TMB2607P_70409201

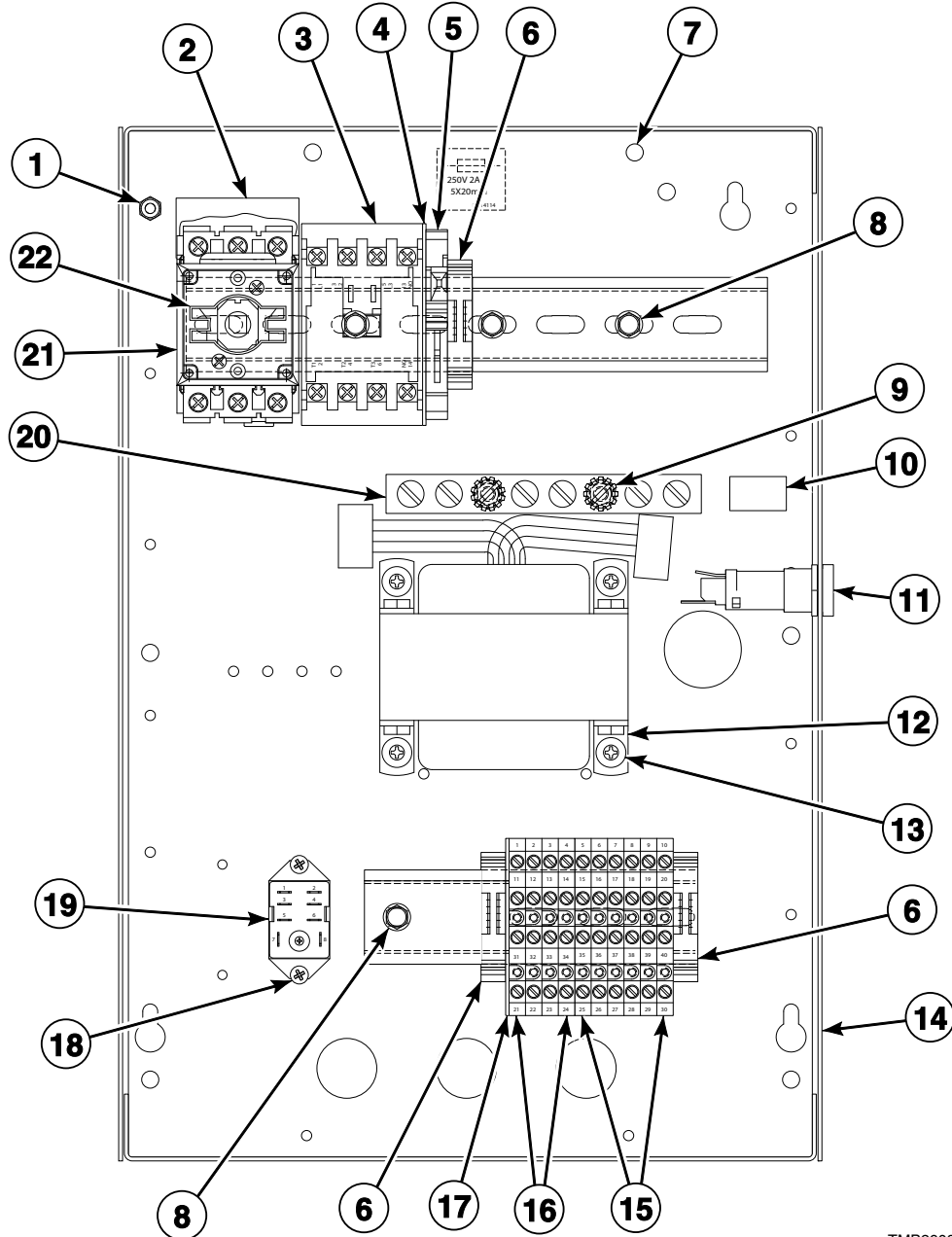
Contactor Box Assembly (Drawing 7 of 21)

REF	PART NO.	DESCRIPTION	COMMENTS
	44010701	Gas Relay Harness	
	M412641	Transformer Harness Assembly	Secondary
	M412642	Transformer Harness Assembly	Primary; 240 Volt
	M412650	Junction Box Cover	Use 2 of M400713 Drive Rivet to secure cover to junction box; Use M412368 Door Interlock to mount M412208 Handle to cover
	44127701	Warning Label	Extended tumble; On junction box cover
1	430497	Screw	18 required; To secure junction box to backplane
2	M412366	Finger Guard	20 Amp
3	70323701P	Contactor	9 Amp
4	M412540	End Section	
5	M412537	Terminal Block	Primary; Use D502593 Fuse
6	70121001	End Stop	3 required
7	N/A	Junction Box Bottom	
8	51780	Screw	5 required
9	N/A	Din Rail	
10	M412688	Nut	2 required
11	M412096	Earth Terminal Sticker	
12	33562	Screw	
13	D502591P	Fuse Holder Kit	Includes D502591 Fuse Holder Body and D502811 Fuse Carrier
	D502592	Fuse	3.15 Amp
14	M412477P	Transformer	230 Volt
15	M412649	Junction Box Side	2 required
16	M412631	Terminal Block	2 circuit; 6 required
17	M412632	Terminal Block	1 circuit; 4 required
18	M412633	End Barrier	
19	N/A	Din Rail	
20	M412534	Relay	
21	D501086	Screw	2 required
22	M412656	Ground Buss Assembly	
23	M412187P	Mounting Switch Base	20 Amp
24	M412370	Extension Handle	20 Amp

N/A = Part no longer available

Contactor Box Assembly (Drawing 8 of 21)

CE Gas and Steam Models Except Y Models
Models with 3O, 3V, 3X, BC, BL, BU, BX, BY, DO, DV, DX, NC, NR, NX, NY,
OM, ZC, ZR, ZX and ZY Control Suffixes and SD and SX Control Suffixes Through 12/31/06;
230 Volt/50 Hertz/1 Phase



TMB2608P_70409201

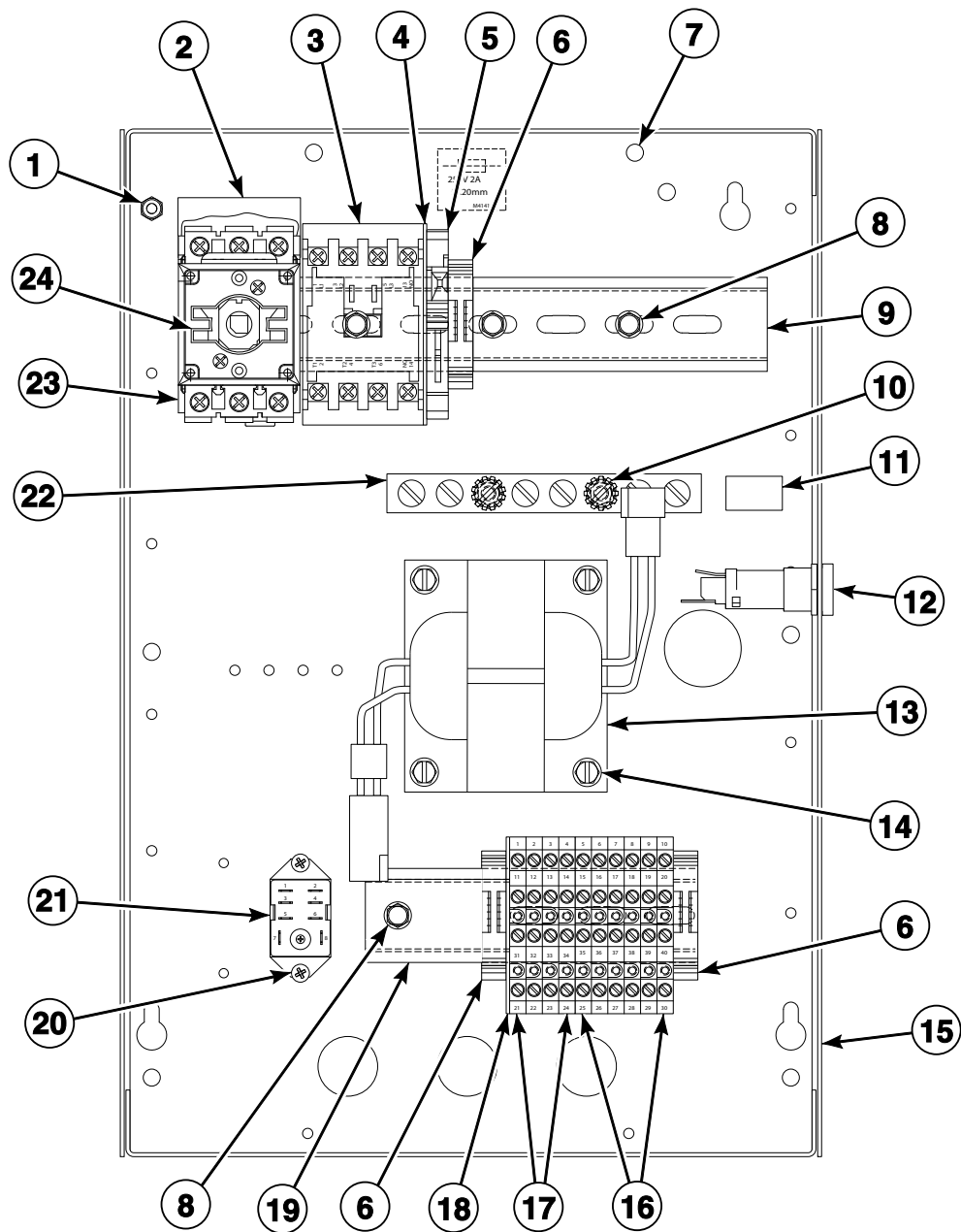
Contactor Box Assembly (Drawing 8 of 21)

REF	PART NO.	DESCRIPTION	COMMENTS
	M413863	Network Capacitor Assembly	3O, 3V, 3X, DO, DV, DX and OM control suffixes
	M414224	Relay Harness Assembly	Gas models; 3O, 3V, 3X, BC, BL, BU, BX, BY, DO, DV, DX, OM, SD and SX control suffixes
	M414032	Relay Harness Assembly	Steam models
	M414076	Transformer Harness Assembly	Primary; 3O, 3V, 3X, BC, BL, BU, BX, BY, DO, DV, DX, OM, SD and SX control suffixes
	M414029	Transformer Harness Assembly	Secondary; 3O, 3V, 3X, BC, BL, BU, BX, BY, DO, DV, DX, OM, SD and SX control suffixes
	44010701	Gas Relay Harness	
	M413506	Jumper Harness Assembly	208 Volt; 3O, 3V, 3X, BC, BL, BU, BX, BY, DO, DV and DX control suffixes
	M413507	Jumper Configuration Assembly	240 Volt; Gas models with OM control suffix; Steam models
	44043101	Transformer Harness	Secondary; B and C models; DO, DV and DX control suffixes
	M412650	Junction Box Cover	Use 2 of M400713 Drive Rivet to secure cover to junction box; Use M412368 Door Interlock to mount M412208 Handle to cover
	44127701	Warning Label	Extended tumble; On junction box cover
1	430497	Screw	18 required; To secure junction box to backplane
2	M412366	Finger Guard	20 Amp
3	70323701P	Contactor	9 Amp
4	M412540	End Section	
5	M412537	Terminal Block	Primary; Use M413867 Fuse
6	70121001	End Stop	3 required
7	N/A	Junction Box Bottom	
8	51780	Screw	5 required
9	M412688	Nut	2 required
10	M412096	Earth Terminal Sticker	
11	D502591P	Fuse Holder Kit	Includes D502591 Fuse Holder Body and D502811 Fuse Carrier
	M413889	Fuse	4 Amp
12	M414228P	Transformer	Dual secondary; Multitap; 100-240 Volt
13	M400044	Screw	4 required; Use with 4 of 23951 Nut to attach item 12
14	M412649	Junction Box Side	2 required
15	M412631	Terminal Block	2 circuit; 6 required
16	M412632	Terminal Block	1 circuit; 4 required
17	M412633	End Barrier	
18	M400071	Screw	2 required; Gas models
19	M412534	Relay	24 Volt; Gas models
20	M412656	Ground Buss Assembly	
21	M412187P	Mounting Switch Base	20 Amp
22	M412370	Extension Handle	20 Amp

N/A = Part no longer available

Contactor Box Assembly (Drawing 9 of 21)

CE Gas and Steam C, H, S, U and Y Models
Models with QT Control Suffix and SD and SX Control Suffixes Starting 1/1/07;
230 Volt/50 Hertz/1 Phase



TMB2610P_70409201

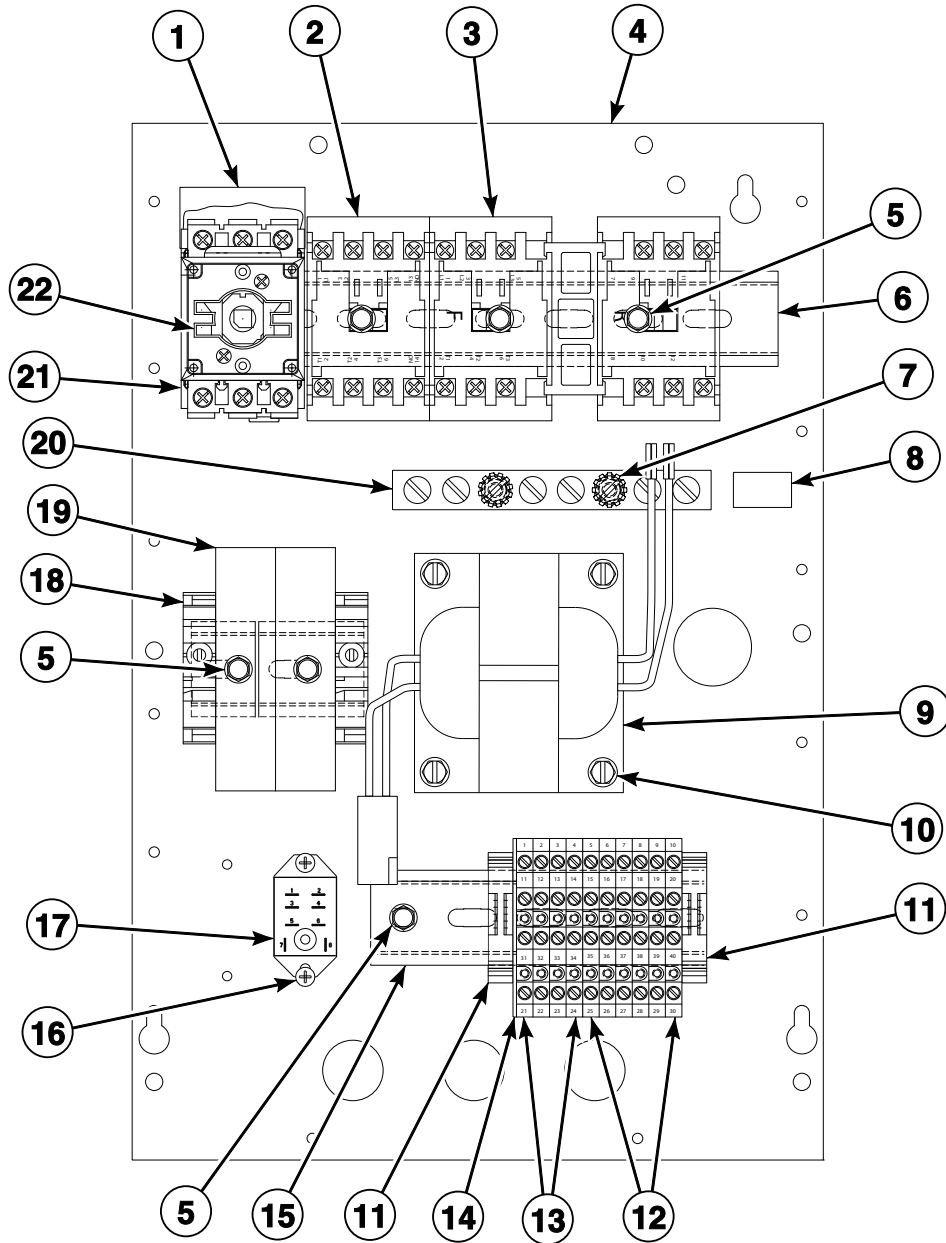
Contactor Box Assembly (Drawing 9 of 21)

REF	PART NO.	DESCRIPTION	COMMENTS
	M414224	Relay Harness Assembly	Gas models
	M414032	Relay Harness Assembly	Steam models
	M412642	Transformer Harness Assembly	Primary
	M412641	Transformer Harness Assembly	Secondary
	M414224	Relay Harness Assembly	SD and SX control suffixes
	M413506	Jumper Harness Assembly	208 or 240 Volt
	M412650	Junction Box Cover	Use 2 of M400713 Drive Rivet to secure cover to junction box; Use M412368 Door Interlock to mount M412208 Handle to cover
	44127701	Warning Label	Extended tumble; On junction box cover
1	430497	Screw	17 required; To secure junction box to backplane
2	M412366	Finger Guard	20 Amp
3	70323701P	Contactor	9 Amp
4	M412540	End Section	
5	M412537	Terminal Block	Primary; Use D502593 Fuse
6	70121001	End Stop	3 required
7	N/A	Junction Box Bottom	
8	51780	Screw	4 required
9	N/A	Din Rail	
10	M412688	Nut	2 required
11	M412096	Earth Terminal Sticker	
12	D502591P	Fuse Holder Kit	Includes D502591 Fuse Holder Body and D502811 Fuse Carrier
	M413889	Fuse	4 Amp
13	M412477P	Transformer	Multitap; 100-240 Volt
14	33562	Screw	4 required
15	M412649	Junction Box Side	2 required
16	M412631	Terminal Block	2 circuit; 6 required
17	M412632	Terminal Block	1 circuit; 4 required
18	M412633	End Barrier	
19	N/A	Din Rail	
20	D501086	Screw	2 required; Gas models
21	M412534	Relay	24 Volt; Gas models
22	M412656	Ground Buss Assembly	
23	M412187P	Mounting Switch Base	20 Amp
24	M412370	Extension Handle	20 Amp

N/A = Part no longer available

Contactor Box Assembly (Drawing 10 of 21)

CE Gas and Steam C, H, S, U and Y Models
Models with QT and RQ Control Suffixes and SD and SX Control Suffixes Starting 1/1/07;
380 or 400-415 Volt/50 Hertz/3 Phase



TMB2613P_70409201

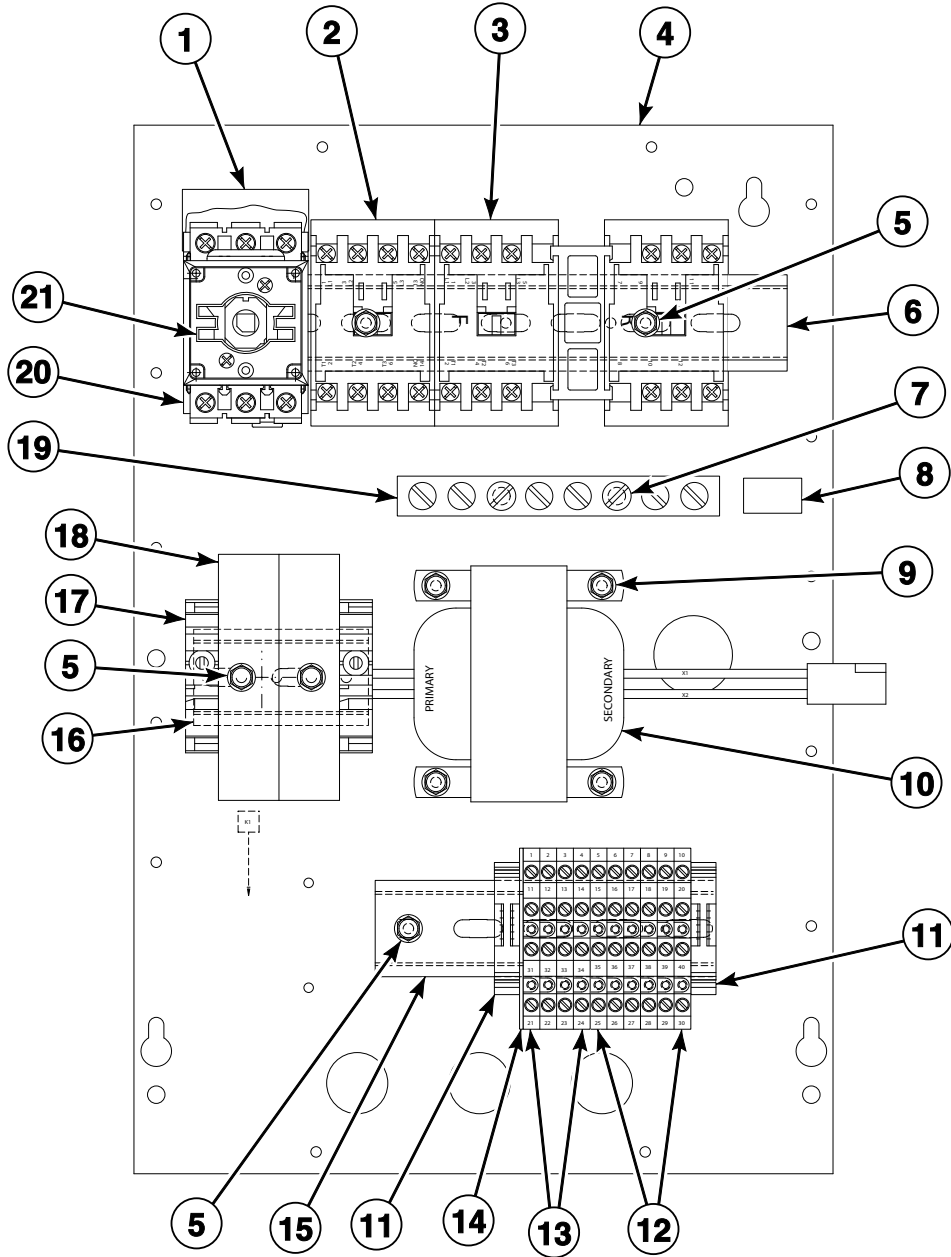
Contactor Box Assembly (Drawing 10 of 21)

REF	PART NO.	DESCRIPTION	COMMENTS
	M414224	Relay Harness Assembly	Gas models
	M414032	Relay Harness Assembly	Steam models
	M412641	Transformer Harness Assembly	Secondary
	M412928	Reversing Jumper Harness Assembly	Upper; 2 required; RQ control suffix
	M412929	Reversing Jumper Harness Assembly	Lower; RQ control suffix
	M414034	Reversing Contactor Harness Assembly	RQ control suffix
	M412650	Junction Box Cover	
	44127701	Warning Label	Extended tumble; On junction box cover
1	M412366	Finger Guard	20 Amp
2	70323701P	Contactor	9 Amp
3	M412405P	Reversing Contactor	RQ control suffix
4	N/A	Junction Box Bottom	
5	51780	Screw	7 required
6	N/A	Din Rail	
7	M412688	Nut	2 required
8	M412096	Earth Terminal Sticker	
9	M412412P	Transformer	
10	33562	Screw	4 required; Use with 4 of 23951 Nut to attach item 9
11	70121001	End Stop	2 required
12	M412631	Terminal Block	2 circuit; 6 required
13	M412632	Terminal Block	1 circuit; 4 required
14	M412633	End Barrier	
15	N/A	Din Rail	
16	M400071	Screw	Gas models
17	M412534	Relay	Gas models
18	M412615	End Stop	2 required
19	M412538	Terminal Block	400 Volt; Primary; 2 required; Use M412996 Fuse
20	M412656	Ground Buss Assembly	
21	M412187P	Mounting Switch Base	20 Amp
22	M412370	Extension Handle	20 Amp

N/A = Part no longer available

Contactor Box Assembly (Drawing 11 of 21)

CE Steam Models Except G, K and L Models
Models with MT, QT, RQ and RT Control Suffixes and SD and SX Control Suffixes Starting 1/1/07;
380 or 400-415 Volt/50 Hertz/3 Phase



TMB2616P_70409201

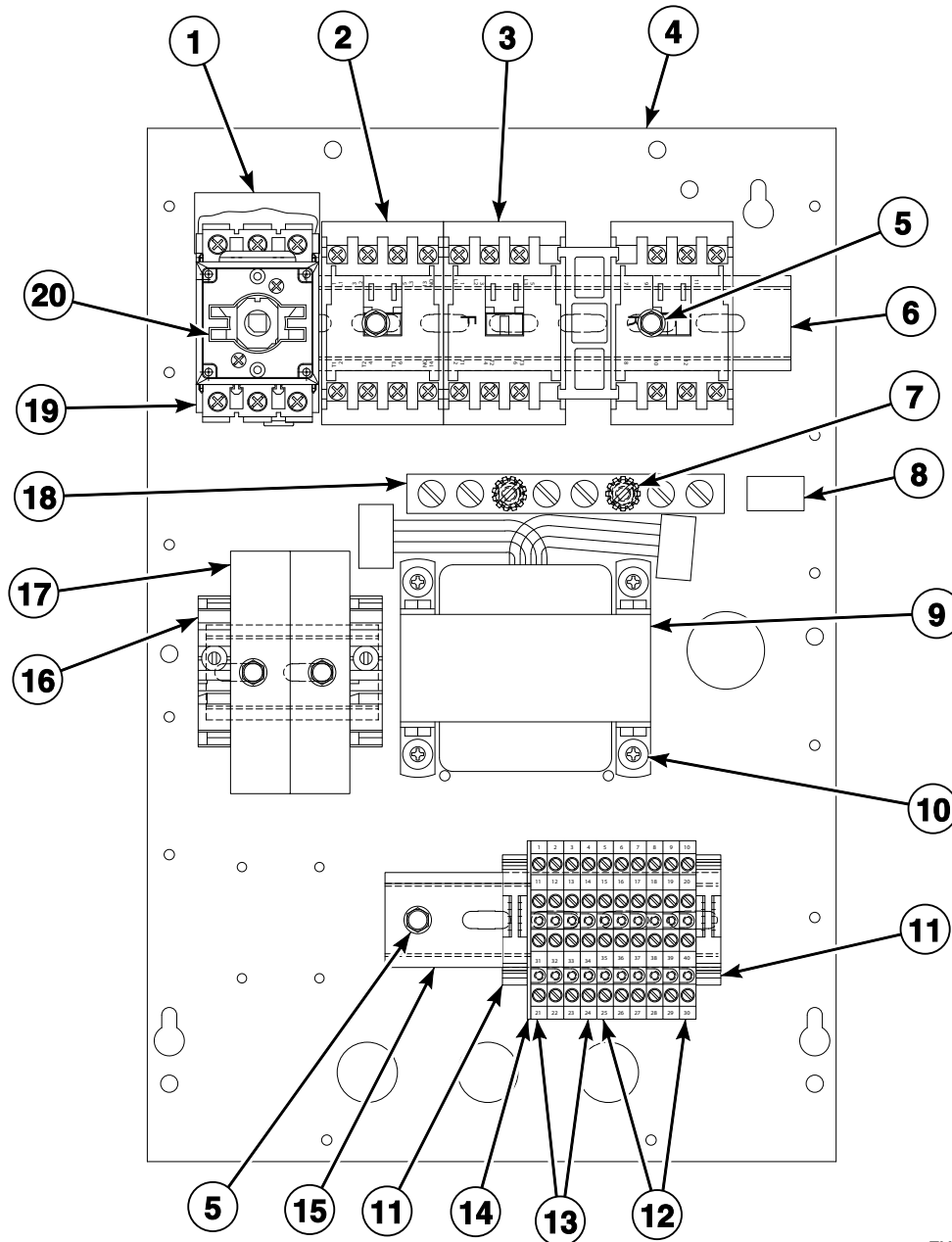
Contactor Box Assembly (Drawing 11 of 21)

REF	PART NO.	DESCRIPTION	COMMENTS
	M412641	Transformer Harness Assembly	Secondary
	M412928	Reversing Jumper Harness Assembly	Upper; 2 required; RQ and RT control suffixes
	M412929	Reversing Jumper Harness Assembly	Lower; RQ and RT control suffixes
	M412650	Junction Box Cover	
	44127701	Warning Label	Extended tumble; On junction box cover
1	M412366	Finger Guard	20 Amp
2	70323701P	Contactor	9 Amp
3	M412405P	Reversing Contactor	RQ and RT control suffixes
4	N/A	Junction Box Bottom	
5	51780	Screw	7 required
6	N/A	Din Rail	
7	M412688	Nut	2 required
8	M412096	Earth Terminal Sticker	
9	33562	Screw	4 required
10	M412412P	Transformer	400 Volt
11	70121001	End Stop	2 required
12	M412631	Terminal Block	2 circuit; 6 required
13	M412632	Terminal Block	1 circuit; 4 required
14	M412633	End Barrier	
15	N/A	Din Rail	
16	N/A	Din Rail	
17	M412615	End Stop	2 required
18	M412538	Terminal Block	400 Volt; Primary; 2 required; Use M412996 Fuse
19	M412656	Ground Buss Assembly	
20	M412187P	Mounting Switch Base	20 Amp
21	M412370	Extension Handle	20 Amp

N/A = Part no longer available

Contactor Box Assembly (Drawing 12 of 21)

CE Steam Models Except Y Models
Models with 3O, 3V, 3X, DO, DV, DX, OM, R3, RD and RM Control Suffixes;
380 or 400-415 Volt/50 Hertz/3 Phase



TMB2618P_70409201

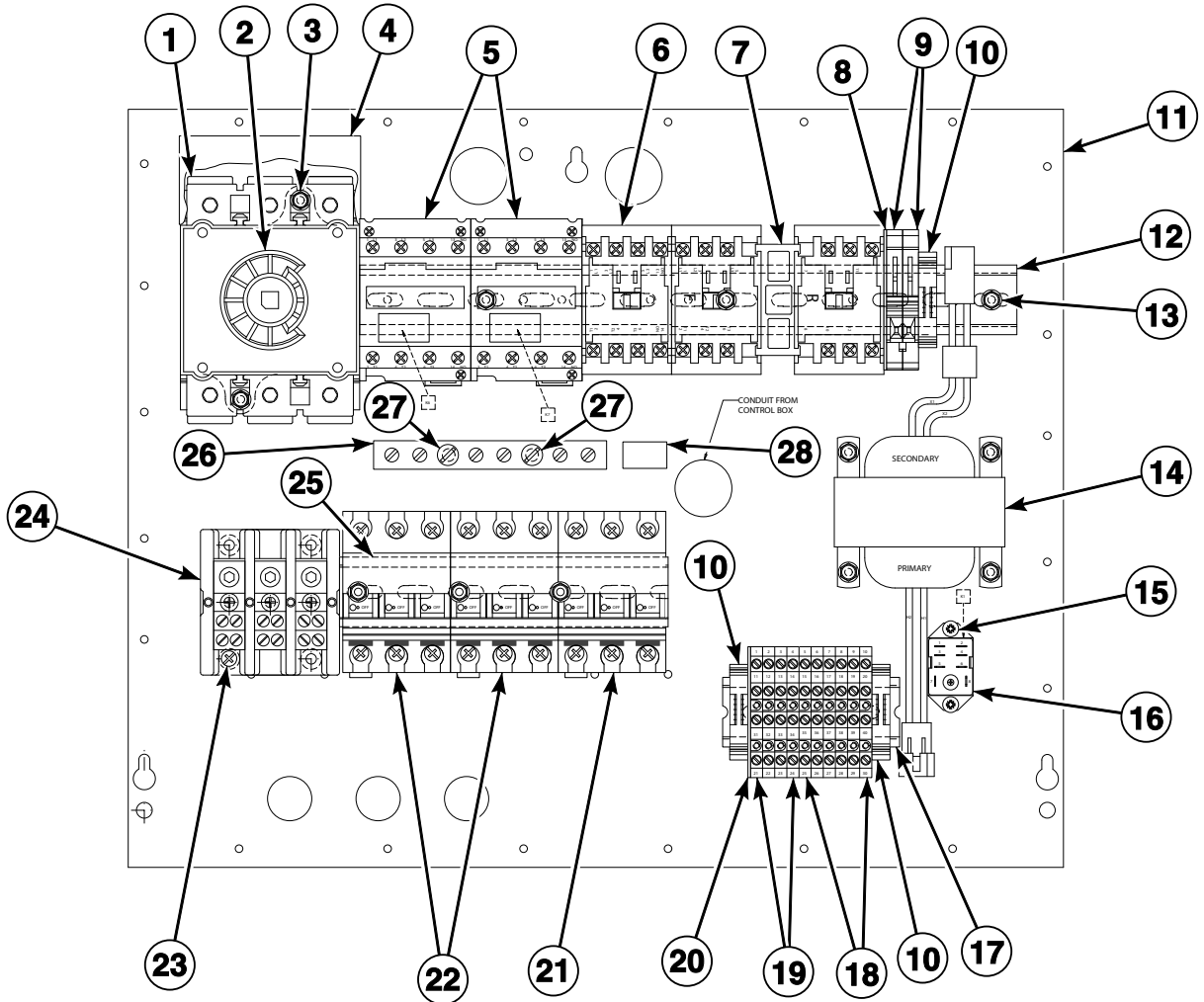
Contactor Box Assembly (Drawing 12 of 21)

REF	PART NO.	DESCRIPTION	COMMENTS
	M414032	Relay Harness Assembly	
	M414028	Transformer Harness Assembly	Primary
	M414029	Transformer Harness Assembly	Secondary; 3O, 3V, 3X, DV, DX, OM, R3 and RM control suffixes
	44043101	Transformer Harness	Secondary; DO, DV, DX and RD control suffixes
	M414077	Jumper Wire	
	M413508	Jumper Harness Assembly	380 Volt
	M412928	Reversing Jumper Harness Assembly	Upper; 2 required; R3, RD and RM control suffixes
	M412929	Reversing Jumper Harness Assembly	Lower; R3, RD and RM control suffixes
	M414034	Reversing Contactor Harness Assembly	R3, RD and RM control suffixes
	M413863	Network Capacitor Assembly	
	M412650	Junction Box Cover	
	44127701	Warning Label	Extended tumble; On junction box cover
1	M412366	Finger Guard	20 Amp
2	70323701P	Contactor	9 Amp
3	M412405P	Reversing Contactor	R3, RD and RM control suffixes
4	N/A	Junction Box Bottom	
5	51780	Screw	7 required
6	N/A	Din Rail	
7	M412688	Nut	2 required
8	M412096	Earth Terminal Sticker	
9	M414229P	Transformer	
10	M400044	Screw	4 required; Use with 4 of 23951 Nut to attach item 9
11	70121001	End Stop	230 Volt; 2 required
12	M412631	Terminal Block	2 circuit; 6 required
13	M412632	Terminal Block	1 circuit; 4 required
14	M412633	End Barrier	
15	N/A	Din Rail	
16	M412615	End Stop	2 required
17	M412538	Terminal Block	400 Volt; Primary; 2 required; Use M413621 Fuse
18	M412656	Ground Buss Assembly	
19	M412187P	Mounting Switch Base	20 Amp
20	M412370	Extension Handle	20 Amp

N/A = Part no longer available

Contactor Box Assembly (Drawing 13 of 21)

CE Electric Models Except G, K and L Models
Models with CD, CX, CY, MT, QT, RQ and RT Control Suffixes and SD and SX Control Suffixes Starting 1/1/07;
230 Volt/50 Hertz/3 Phase



TMB2621P_70409201

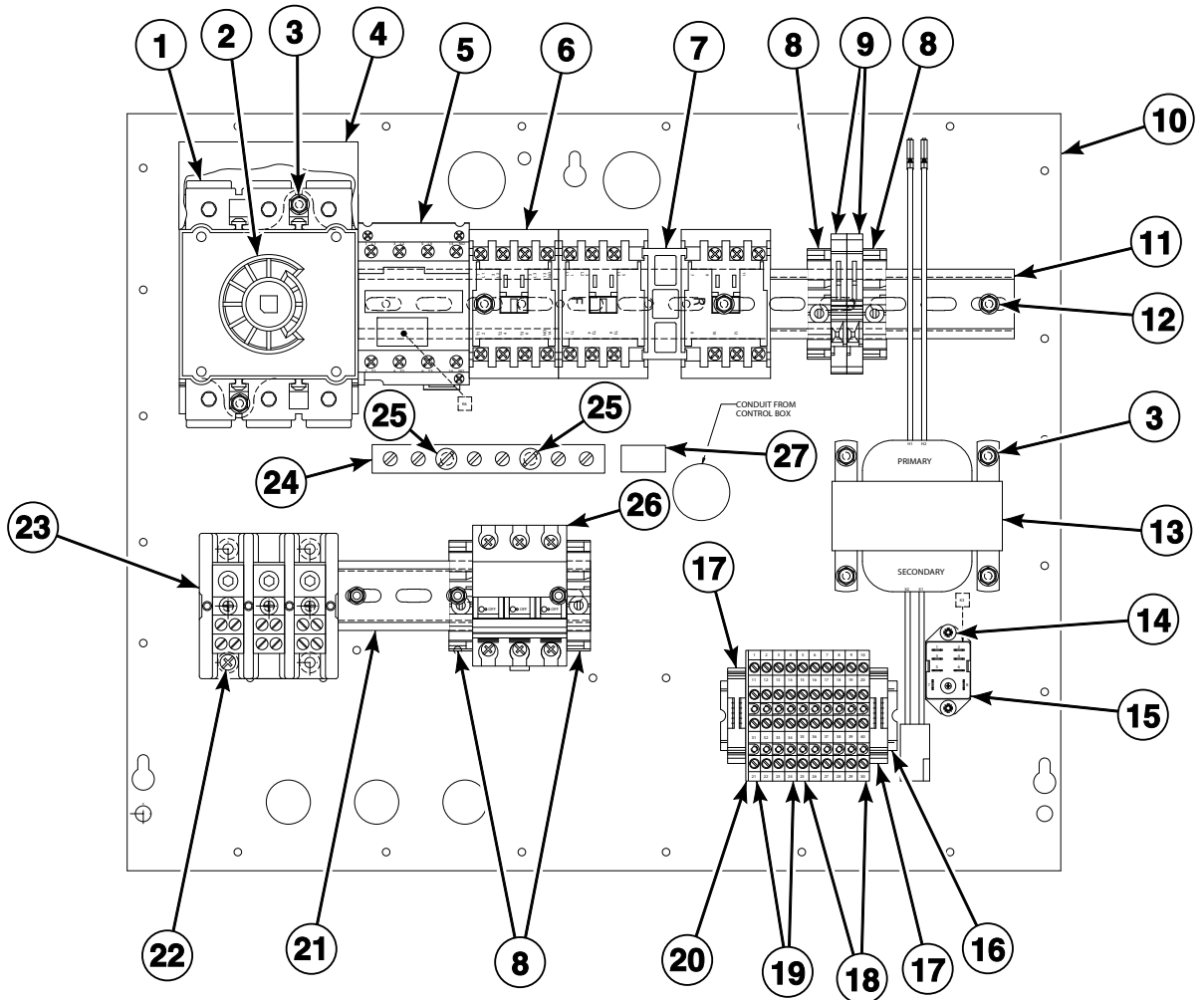
Contactor Box Assembly (Drawing 13 of 21)

REF	PART NO.	DESCRIPTION	COMMENTS
	M412776P	Relay Harness Assembly	MT and RT control suffixes
	M412777	Relay Harness Assembly	CD, CX and CY control suffixes
	M414149	Relay Harness Assembly	QT, RQ and SD control suffixes
	M412641	Transformer Harness Assembly	Secondary
	M412642	Transformer Harness Assembly	Primary
	M412871	Jumper Harness Assembly	240 Volt
	M412740	Jumper Cable Wire	8 gauge; 6 required
	M412928	Reversing Jumper Harness Assembly	Upper; 2 required; RQ and RT control suffixes
	M412929	Reversing Jumper Harness Assembly	Lower; RQ and RT control suffixes
	44014501	Jumper Wire	3 required
	44014601	Jumper Wire	3 required
	44014701	Jumper Wire	3 required
	M413934	Jumper Cable Assembly	3 required
	44014901P	Power Distribution Block Cover	Includes 2 screws; Use with item 24
	M412265	Contactor Box Cover	
	44127701	Warning Label	Extended tumble; On contactor box cover
1	M412186	Mounting Switch Base	100 Amp
2	M412371P	Extension Handle	100 Amp
3	33562	Screw	6 required
4	M412367	Finger Guard	100 Amp
5	70343301P	Contactor	Electric; 50 Amp; 2 required
6	70323701P	Contactor	Motor; 9 Amp
7	M412405P	Reversing Contactor	RQ and RT control suffixes
8	M412540	End Section	230 Volt
9	M412537	Terminal Block	230 Volt; Primary; 2 required; Use D502593 Fuse
10	70121001	End Stop	3 required
11	M412267	Contactor Box Bottom	
12	N/A	Din Rail	13 inches
13	51780	Screw	12 required
14	M412477P	Transformer	240 Volt
15	D501086	Screw	2 required; MT and RT control suffixes
16	M412534	Relay	24 Volt; MT and RT control suffixes
17	M412692	Din Rail	3.5 inches
18	M412631	Terminal Block	2 circuit; 6 required
19	M412632	Terminal Block	1 circuit; 4 required
20	M412633	End Barrier	
21	M412407P	Circuit Breaker	3 pole; 8 Amp
22	M412408P	Circuit Breaker	3 pole; 50 Amp; 2 required
23	39733	Screw	4 required
24	M413865	Terminal Block	3 pole
25	M412693	Din Rail	6.5 inches
26	M412656	Ground Buss Assembly	
27	M412688	Nut	2 required
28	M412096	Earth Terminal Sticker	

N/A = Part no longer available

Contactor Box Assembly (Drawing 14 of 21)

CE Electric Models Except G, K and L Models
 Models with CD, CX, CY, MT, QT, RQ and RT Control Suffixes and SD and SX Control Suffixes Starting 1/1/07;
 380 or 415 Volt/50 Hertz/3 Phase



TMB2622P_70409201

Contactor Box Assembly (Drawing 14 of 21)

REF	PART NO.	DESCRIPTION	COMMENTS
	M412766	Relay Harness Assembly	MT and RT control suffixes
	M414150	Relay Harness Assembly	QT, RQ, SD and SX control suffixes
	M412641	Transformer Harness Assembly	Secondary
	M414121	Jumper Cable Assembly	8 gauge; 3 required
	M412928	Reversing Jumper Harness Assembly	Upper; 2 required; RQ and RT control suffixes
	M412929	Reversing Jumper Harness Assembly	Lower; RQ and RT control suffixes
	44014501	Jumper Wire	3 required
	44014801	Jumper Wire	3 required
	M413934	Jumper Cable Assembly	3 required
	44014901P	Power Distribution Block Cover	Includes 2 screws; Use with item 23
	M412265	Contactor Box Cover	
	44127701	Warning Label	Extended tumble; On contactor box cover
1	M412186	Mounting Switch Base	100 Amp
2	M412371P	Extension Handle	100 Amp
3	33562	Screw	6 required
4	M412367	Finger Guard	100 Amp
5	70343301P	Contactor	Electric; 50 Amp
6	70323701P	Contactor	Motor; 9 Amp
7	M412405P	Reversing Contactor	RQ and RT control suffixes
8	M412615	End Stop	400 Volt; 4 required
9	M412538	Terminal Block	400 Volt; Primary; 2 required; Use M412996 Fuse
10	M412267	Contactor Box Bottom	
11	N/A	Din Rail	13 inches
12	51780	Screw	10 required
13	M412412P	Transformer	400 Volt
14	D501086	Screw	2 required; MT and RT control suffixes
15	M412534	Relay	MT and RT control suffixes
16	M412692	Din Rail	3.5 inches
17	70121001	End Stop	230 Volt; 2 required
18	M412631	Terminal Block	2 circuit; 6 required
19	M412632	Terminal Block	1 circuit; 4 required
20	M412633	End Barrier	
21	N/A	Din Rail	5 inches
22	39733	Screw	4 required
23	M413865	Terminal Block	3 pole
24	M412656	Ground Buss Assembly	
25	M412688	Nut	2 required
26	M412407P	Circuit Breaker	3 pole; 8 Amp
27	M412096	Earth Terminal Sticker	

N/A = Part no longer available

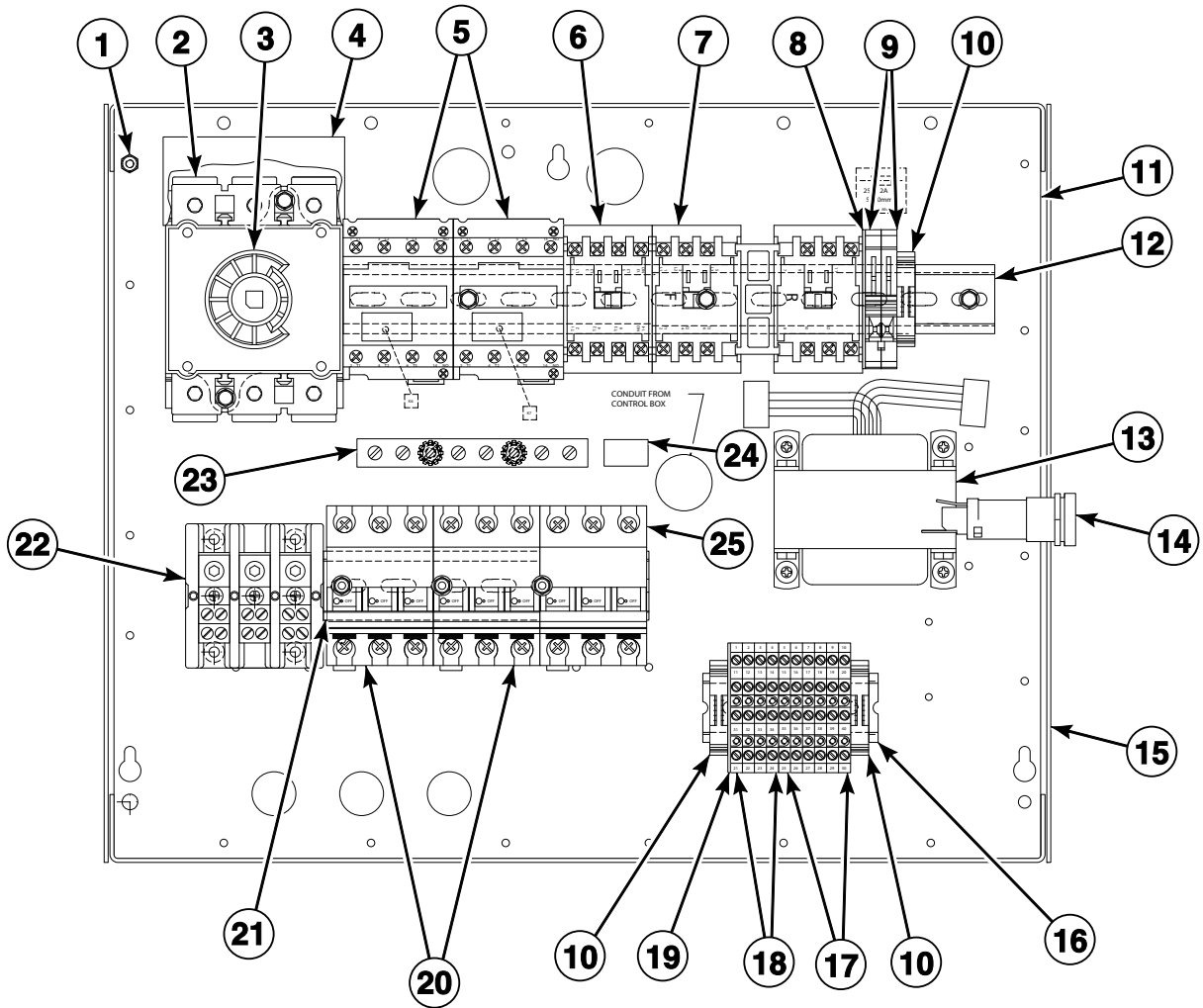
Contactor Box Assembly (Drawing 15 of 21)

CE Electric Models

Models with 3O, 3V, 3X, BC, BL, BU, BX, BY, DO, DV, DX, NC, NR, NX,

NY, OM, R3, RD, RM, ZC, ZR, ZX and ZY Control Suffixes;

230 Volt/50 Hertz/3 Phase



TMB2625P_70409201

Contactor Box Assembly (Drawing 15 of 21)

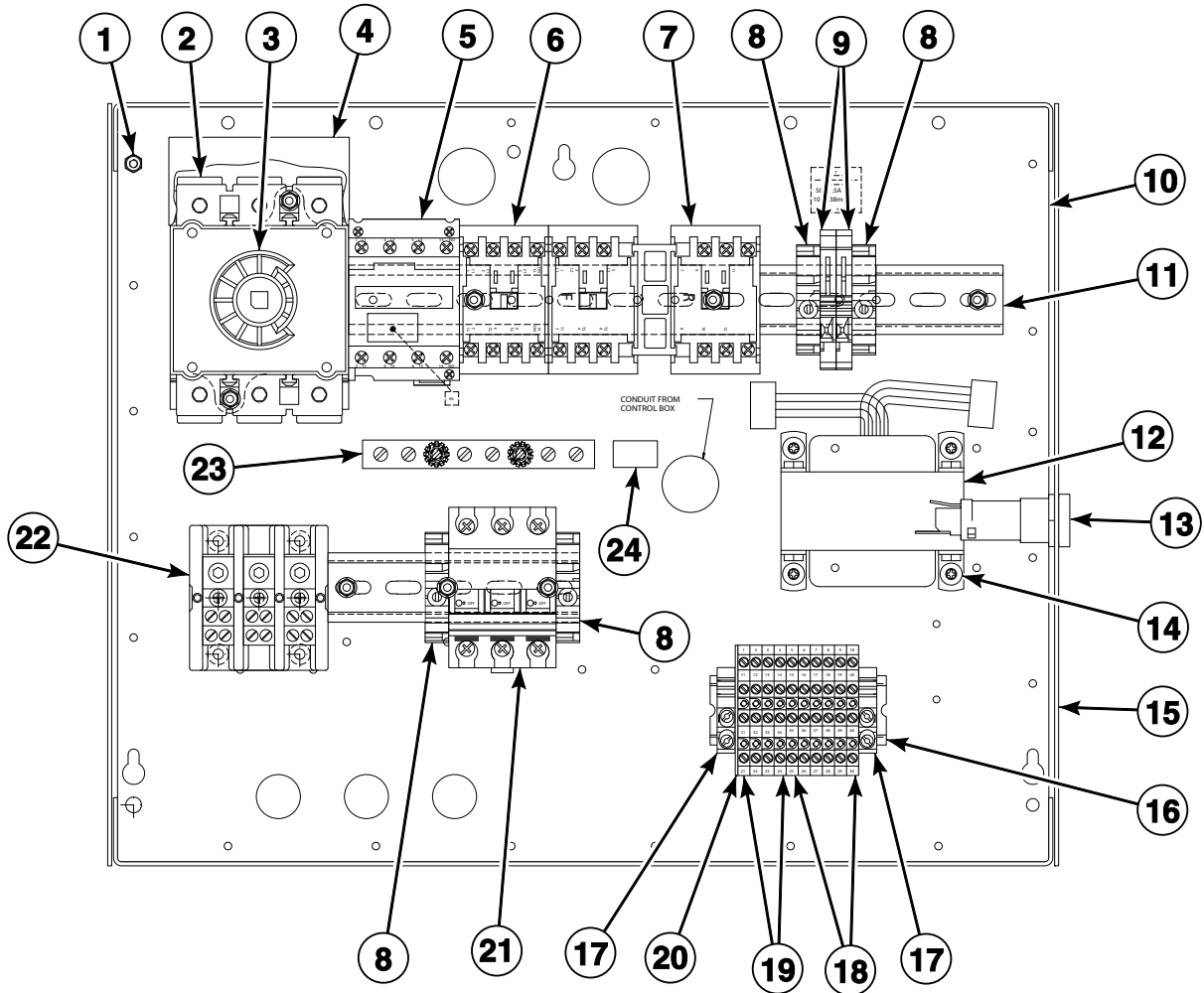
REF	PART NO.	DESCRIPTION	COMMENTS
	M413930P	Ferrite Core Assembly	
	M413863	Network Capacitor Assembly	
	44014901P	Power Distribution Block Cover	Includes 2 screws; Use with item 22
	M412265	Contactor Box Cover	Use 2 of M400713 Drive Rivet to secure cover to junction box; Use M412368 Door Interlock to mount M412208 Handle to cover
	44127701	Warning Label	Extended tumble; On contactor box cover
1	430497	Screw	24 required; Use to secure contactor box to backplane
2	M412186	Mounting Switch Base	100 Amp; Use 2 of 33562 Screw to secure
3	M412371P	Extension Handle	100 Amp
4	M412367	Finger Guard	100 Amp
5	70343301P	Contactor	Electric; 50 Amp; 2 required
6	70323701P	Contactor	Motor; 9 Amp
7	M412405P	Reversing Contactor	R3, RD and RM control suffixes
8	M412540	End Section	230 Volt
9	M412537	Terminal Block	230 Volt; Primary; 2 required; Use M413867 Fuse
10	70121001	End Stop	230 Volt; 3 required for R3, RD and RM control suffixes; 4 required for all other control suffixes
11	M412267	Contactor Box Bottom	
12	N/A	Din Rail	13 inches; Use 51780 Screw to secure
13	M414228P	Transformer	Dual secondary; Multitap; 100-240 Volt; Use 4 of 23951 Nut and 4 of M400044 Screw to secure
14	D502591P	Fuse Holder Kit	Includes D502591 Fuse Holder Body and D502811 Fuse Carrier; Use M413889 Fuse
15	M412266	Contactor Box Side	2 required
16	M412692	Din Rail	3.5 inches; Use 51780 Screw to secure
17	M412631	Terminal Block	2 circuit; 6 required
18	M412632	Terminal Block	1 circuit; 4 required
19	M412633	End Barrier	
20	M412408P	Circuit Breaker	3 pole; 50 Amp; 2 required
21	M412693	Din Rail	6.5 inches; Use 51780 Screw to secure
22	M413865	Terminal Block	3 pole; Use 4 of 39733 Screw to secure
23	M412656	Ground Buss Assembly	Use 2 of M412688 Nut to secure
24	M412096	Earth Terminal Sticker	
25	M412407P	Circuit Breaker	3 pole; 8 Amp

N/A = Part no longer available

Contactorm Box Assembly (Drawing 16 of 21)

CE Electric Models

Models with 3O, 3V, 3X, BC, BL, BU, BX, BY, DO, DV, DX, NC, NR, NX,
NY, OM, R3, RD, RM, ZC, ZR, ZX and ZY Control Suffixes;
380 Volt/50 Hertz/3 Phase; 415 Volt/50 Hertz/3 Phase



TMB2626P_70409201

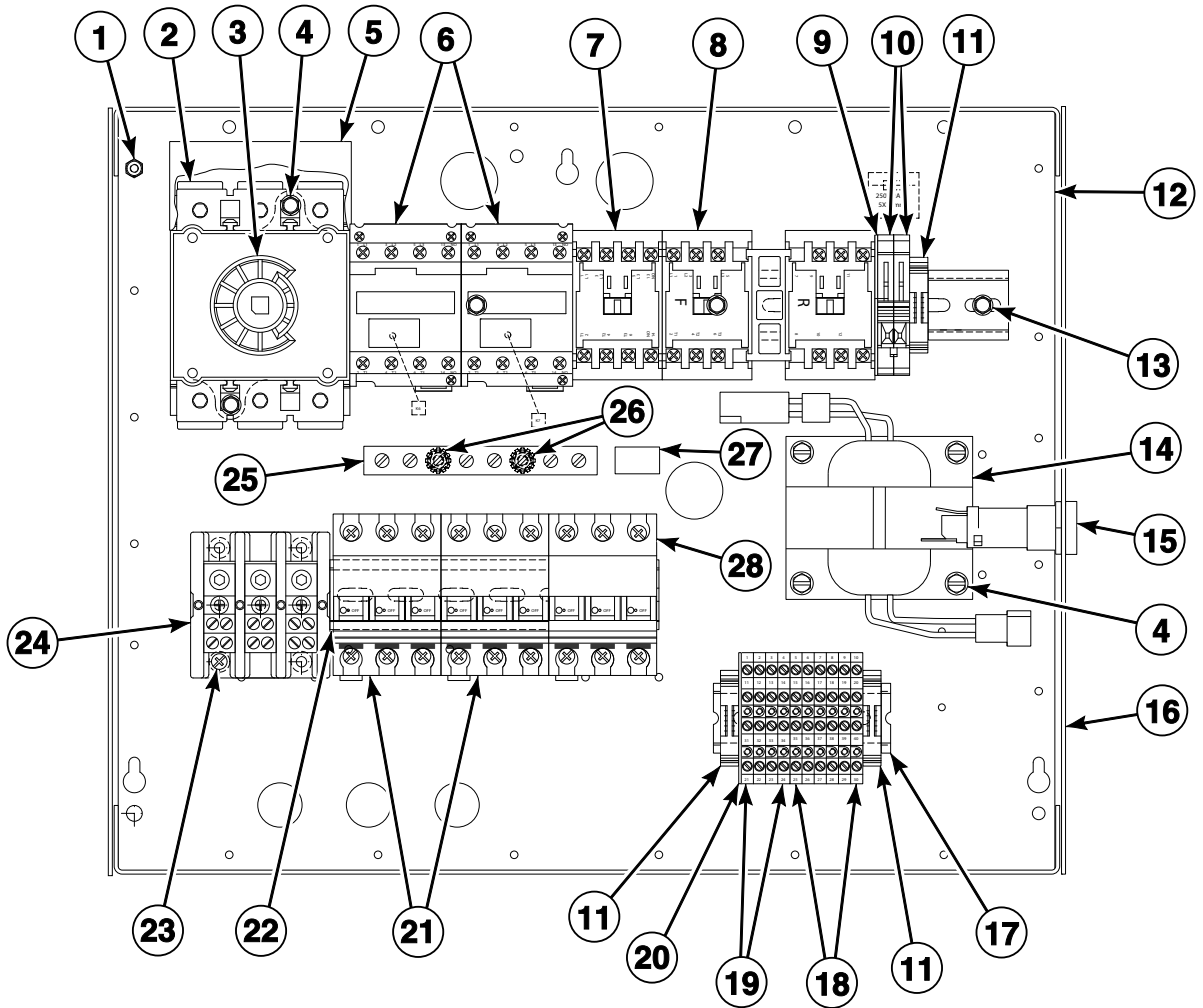
Contactor Box Assembly (Drawing 16 of 21)

REF	PART NO.	DESCRIPTION	COMMENTS
	M413930P	Ferrite Core Assembly	
	M413863	Network Capacitor Assembly	3O, 3V, 3X, DO, DV, DX, OM, R3, RD and RM control suffixes
	M413508	Jumper Harness Assembly	380 Volt/50 Hertz/3 Phase
	M413509	Jumper Harness Assembly	415 Volt/50 Hertz/3 Phase
	M414121	Jumper Cable Assembly	8 gauge; 3 required
	M414150	Relay Harness Assembly	
	M414034	Reversing Contactor Harness Assembly	R3, RD and RM control suffixes
	M414028	Transformer Harness Assembly	Primary
	M414029	Transformer Harness Assembly	Secondary
	M412928	Reversing Jumper Harness Assembly	Upper; 2 required; R3, RD and RM control suffixes
	M412929	Reversing Jumper Harness Assembly	Lower; R3, RD and RM control suffixes
	44014501	Jumper Wire	3 required
	44014801	Jumper Wire	3 required
	M413934	Jumper Cable Assembly	3 required
	44043101	Transformer Harness	Secondary; DO, DV, DX and RD control suffixes
	44014901P	Power Distribution Block Cover	Includes 2 screws; Use with item 22
	M412265	Contactor Box Cover	Use 2 of M400713 Drive Rivet to secure cover to junction box; Use M412368 Door Interlock to mount M412208 Handle to cover
	44127701	Warning Label	Extended tumble; On contactor box cover
1	430497	Screw	24 required; Use to secure contactor box to backplane
2	M412186	Mounting Switch Base	100 Amp; Use 2 of 33562 Screw to secure
3	M412371P	Extension Handle	100 Amp
4	M412367	Finger Guard	100 Amp
5	70343301P	Contactor	Electric; 50 Amp
6	70323701P	Contactor	Motor; 9 Amp
7	M412405P	Reversing Contactor	RM control suffix
8	M412615	End Stop	400 Volt; 4 required
9	M412538	Terminal Block	400 Volt; Primary; 2 required; Use M413621 Fuse
10	M412267	Contactor Box Bottom	
11	N/A	Din Rail	13 inches; Use 51780 Screw to secure
12	M414229P	Transformer	Multitap; 380-480 Volt
13	D502591P	Fuse Holder Kit	Includes D502591 Fuse Holder Body and D502811 Fuse Carrier; Use M413889 Fuse
14	M400044	Screw	4 required; Use with 4 of 23951 Nut to secure item 12
15	M412266	Contactor Box Side	2 required
16	M412692	Din Rail	3.5 inches; Use 51780 Screw to secure
17	70121001	End Stop	2 required
18	M412631	Terminal Block	2 circuit; 6 required
19	M412632	Terminal Block	1 circuit; 4 required
20	M412633	End Barrier	
21	M412407P	Circuit Breaker	3 pole; 8 Amp
22	M413865	Terminal Block	3 pole; Use 4 of 39733 Screw to secure
23	M412656	Ground Buss Assembly	Use 2 of M412688 Nut to secure
24	M412096	Earth Terminal Sticker	

N/A = Part no longer available

Contactor Box Assembly (Drawing 17 of 21)

CE Electric C, H, S and U Models
Models with QT and RQ Control Suffixes and SD and SX Sontrul Suffixes Starting 1/1/07;
230 Volt/50 Hertz/3 Phase



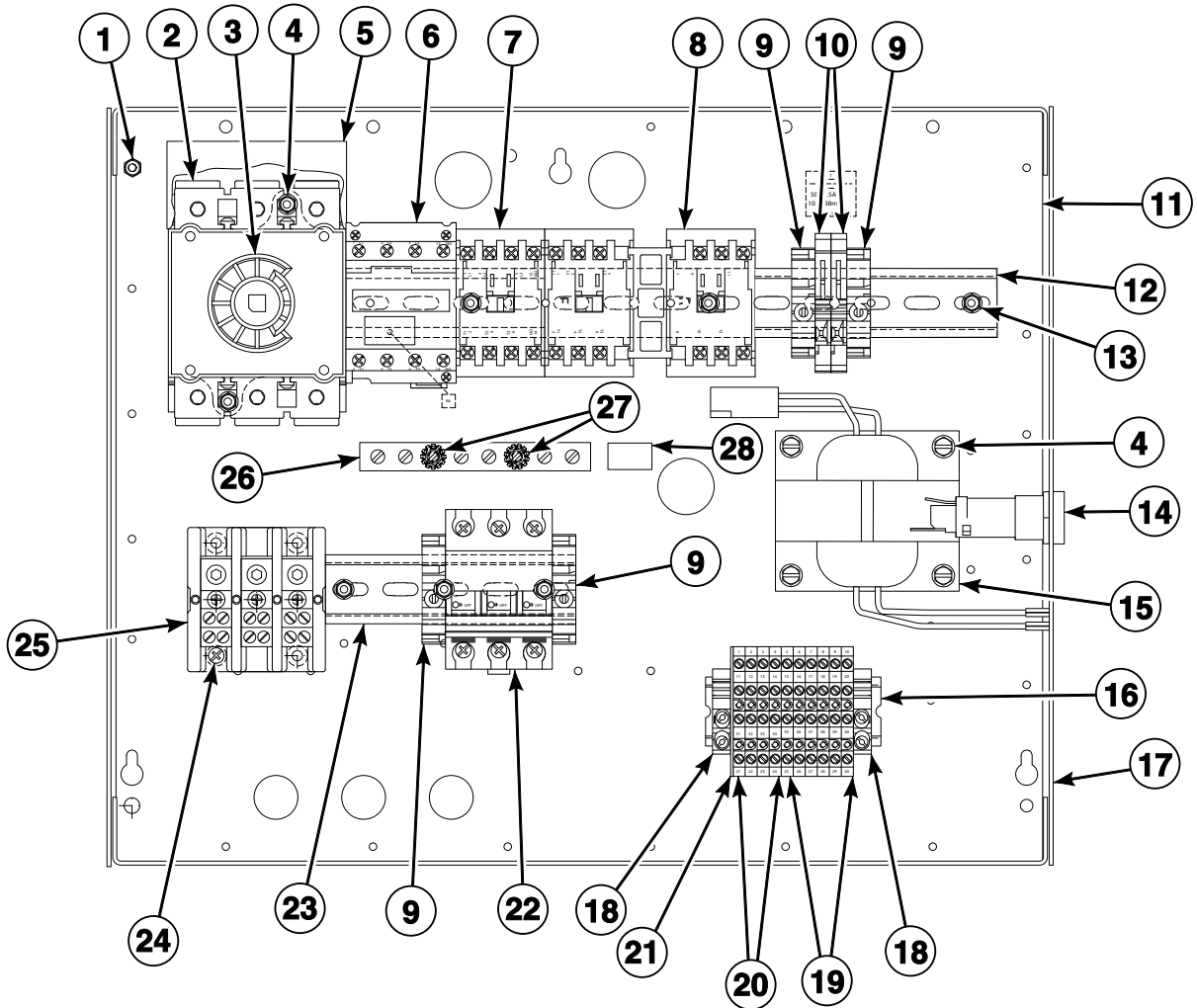
TMB2722P_70409201

Contactor Box Assembly (Drawing 17 of 21)

REF	PART NO.	DESCRIPTION	COMMENTS
	M413930P	Ferrite Core Assembly	
	M412642	Transformer Harness Assembly	Primary
	M412641	Transformer Harness Assembly	Secondary
	M412740	Jumper Cable Wire	8 gauge; 6 required
	M414034	Reversing Contactor Harness Assembly	RQ control suffix
	M412928	Reversing Jumper Harness Assembly	Upper; 2 required; RQ control suffix
	M412929	Reversing Jumper Harness Assembly	Lower; RQ control suffix
	M413506	Jumper Harness Assembly	208 Volt
	44014501	Jumper Wire	3 required
	44014601	Jumper Wire	3 required
	44014701	Jumper Wire	3 required
	M413934	Jumper Cable Assembly	3 required
	44014901P	Power Distribution Block Cover	Includes 2 screws; Use with item 25
	M412265	Contactor Box Cover	Use 2 of M400713 Drive Rivet to secure cover to junction box; Use M412368 Door Interlock to mount M412208 Handle to cover
	44127701	Warning Label	Extended tumble; On contactor box cover
1	430497	Screw	23 required; Use to secure contactor box to backplane
2	M412186	Mounting Switch Base	100 Amp
3	M412371P	Extension Handle	100 Amp
4	33562	Screw	6 required
5	M412367	Finger Guard	100 Amp
6	70343301P	Contactor	Electric; 50 Amp; 2 required
7	70323701P	Contactor	Motor; 9 Amp
8	M412405P	Reversing Contactor	RQ control suffix
9	M412540	End Section	230 Volt
10	M412537	Terminal Block	230 Volt; Primary; 2 required; Use D502593 Fuse
11	70121001	End Stop	230 Volt; 3 required
12	M412267	Contactor Box Bottom	
13	51780	Screw	7 required
14	M412477P	Transformer	Multitap; 100-240 Volt
15	D502591P	Fuse Holder Kit	Includes D502591 Fuse Holder Body and D502811 Fuse Carrier; Use M413889 Fuse
16	M412266	Contactor Box Side	2 required
17	M412692	Din Rail	3.5 inches
18	M412631	Terminal Block	2 circuit; 6 required
19	M412632	Terminal Block	1 circuit; 4 required
20	M412633	End Barrier	
21	M412408P	Circuit Breaker	3 pole; 50 Amp; 2 required
22	M412693	Din Rail	6.5 inches
23	39733	Screw	4 required
24	M413865	Terminal Block	3 pole
25	M412656	Ground Buss Assembly	
26	M412688	Nut	2 required
27	M412096	Earth Terminal Sticker	
28	M412407P	Circuit Breaker	3 pole; 8 Amp

Contactor Box Assembly (Drawing 18 of 21)

CE Electric C, H, S and U Models
Models with QT and RQ Control Suffixes and SD and SX Control Suffixes Starting 1/1/07;
380 Volt/50 Hertz/3 Phase; 415 Volt/50 Hertz/3 Phase



TMB2723P_70409201

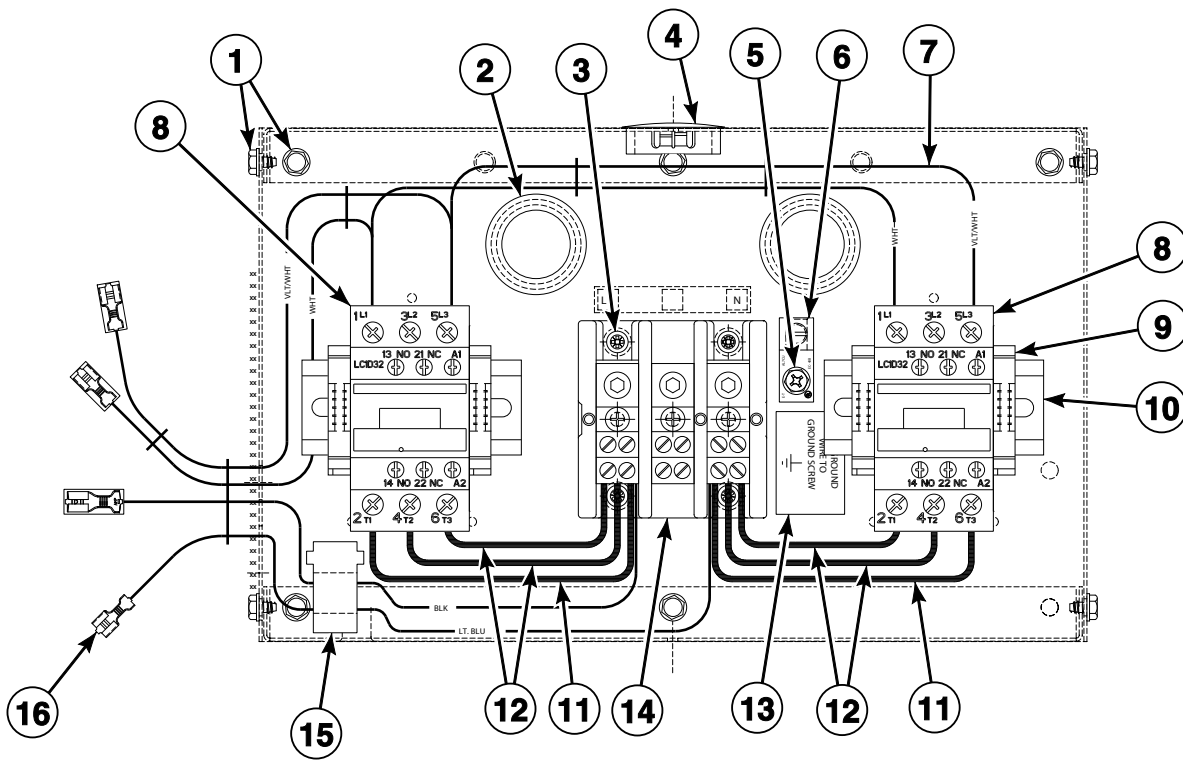
Contactor Box Assembly (Drawing 18 of 21)

REF	PART NO.	DESCRIPTION	COMMENTS
	M413930P	Ferrite Core Assembly	
	M414150	Relay Harness Assembly	
	M414034	Reversing Contactor Harness Assembly	RQ control suffix
	M412641	Transformer Harness Assembly	Secondary
	M412928	Reversing Jumper Harness Assembly	Upper; 2 required; RQ control suffix
	M412929	Reversing Jumper Harness Assembly	Lower; RQ control suffix
	44014501	Jumper Wire	3 required
	44014801	Jumper Wire	3 required
	M413934	Jumper Cable Assembly	3 required
	M414121	Jumper Cable Assembly	8 gauge; 3 required
	44014901P	Power Distribution Block Cover	Includes 2 screws; Use with item 25
	M412265	Contactor Box Cover	Use 2 of M400713 Drive Rivet to secure cover to junction box; Use M412368 Door Interlock to mount M412208 Handle to cover
	44127701	Warning Label	Extended tumble; On contactor box cover
1	430497	Screw	23 required; Use to secure contactor box to backplane
2	M412186	Mounting Switch Base	100 Amp
3	M412371P	Extension Handle	100 Amp
4	33562	Screw	6 required
5	M412367	Finger Guard	100 Amp
6	70343301P	Contactor	Electric; 50 Amp
7	70323701P	Contactor	Motor; 9 Amp
8	M412405P	Reversing Contactor	RQ control suffix
9	M412615	End Stop	400 Volt; 4 required
10	M412538	Terminal Block	400 Volt; Primary; 2 required; Use M412996 Fuse
11	M412267	Contactor Box Bottom	
12	N/A	Din Rail	13 inches
13	51780	Screw	9 required
14	D502591P	Fuse Holder Kit	Includes D502591 Fuse Holder Body and D502811 Fuse Carrier; Use M413889 Fuse at secondary and M413621 Fuse at primary
15	M412412P	Transformer	Multitap; 380-480 Volt
16	M412692	Din Rail	3.5 inches
17	M412266	Contactor Box Side	2 required
18	70121001	End Stop	2 required
19	M412631	Terminal Block	2 circuit; 6 required
20	M412632	Terminal Block	1 circuit; 4 required
21	M412633	End Barrier	
22	M412407P	Circuit Breaker	3 pole; 8 Amp
23	N/A	Din Rail	5 inches
24	39733	Screw	4 required
25	M413865	Terminal Block	3 pole
26	M412656	Ground Buss Assembly	
27	M412688	Nut	2 required
28	M412096	Earth Terminal Sticker	

N/A = Part no longer available

Contactor Box Assembly (Drawing 19 of 21)

CE Electric Models
240 Volt/50 Hertz/1 Phase



TMB2632P_70409201

Contactor Box Assembly (Drawing 19 of 21)

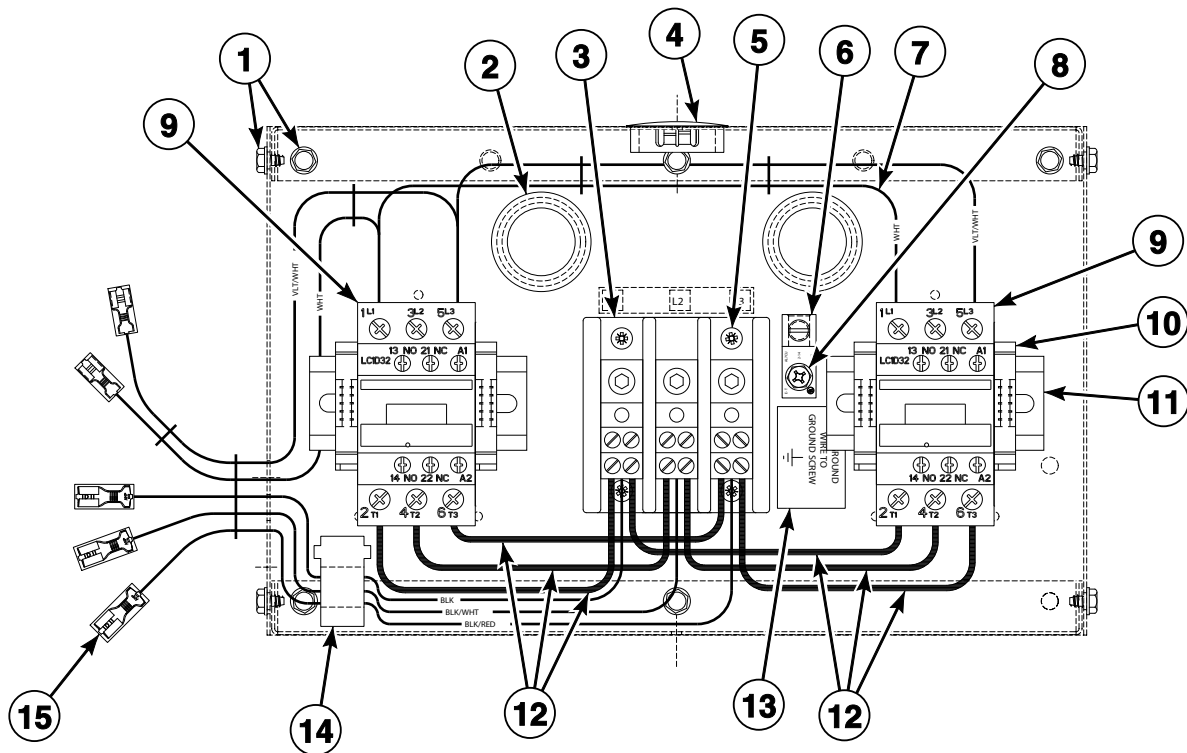
REF	PART NO.	DESCRIPTION	COMMENTS
	M413856	Electric Accessory Box Cover	
	44127701	Warning Label	Extended tumble; On electric accessory box cover
	M4919P3	Electric Heater Contactor Kit	Use to replace contactors on models through 7/10/07
1	51780	Screw	15 required
2	M402542	Snap Bushing	1 3/8 inches; 2 required
3	39733	Screw	4 required
4	N/A	Hole Plug	1 3/8 inches
5	M402917	Screw	Ground
6	M411283	Ground Lug Connector	
7	44129201P	Jumper Harness	
8	70343301P	Contactor	2 required; Models starting 7/10/07
9	M412615	End Stop	4 required; Models starting 7/10/07
10	44137901	Din Rail	2 required; Models starting 7/10/07
11	M413934	Jumper Cable Assembly	2 required
12	M413933	Jumper Cable Assembly	4 required
13	M403047	Secure Ground Label	Electrical
14	M413865	Terminal Block	3 pole
15	M413930P	Ferrite Core Assembly	3O, 3V, 3X, DO, DV, DX, OM, R3, RD and RM control suffixes
16	44129001	Accessory Box Harness Assembly	

N/A = Part no longer available

Contactor Box Assembly (Drawing 20 of 21)

Electric Models

200 Volt/50 Hertz/3 Phase; 200-208 Volt/60 Hertz/3 Phase; 240 Volt/50 or 60 Hertz/3 Phase



TMB2633P_70409201

Contactor Box Assembly (Drawing 20 of 21)

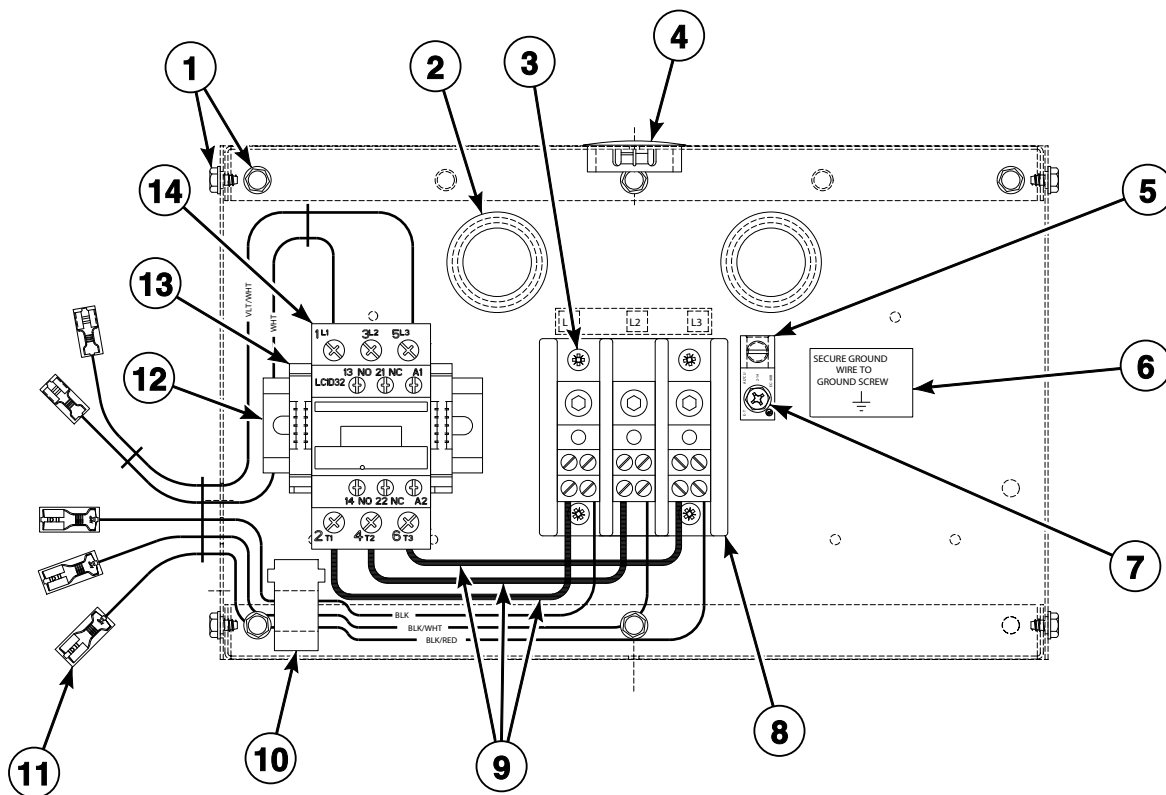
REF	PART NO.	DESCRIPTION	COMMENTS
	M413856	Electric Accessory Box Cover	
	44127701	Warning Label	Extended tumble; On electric accessory box cover
	M4919P3	Electric Heater Contactor Kit	Use to replace contactors on models through 7/10/07
1	51780	Screw	15 required
2	M402542	Snap Bushing	1 3/8 inches; 2 required
3	M413865	Terminal Block	3 pole
4	N/A	Hole Plug	1 3/8 inches
5	39733	Screw	4 required
6	M411283	Ground Lug Connector	
7	44129201P	Jumper Harness	
8	M402917	Screw	Ground
9	70343301P	Contactor	2 required; Models starting 7/10/07
10	M412615	End Stop	4 required; Models starting 7/10/07
11	44137901	Din Rail	2 required; Models starting 7/10/07
12	M413933	Jumper Cable Assembly	6 required
13	M403047	Secure Ground Label	Electrical
14	M413930P	Ferrite Core Assembly	3O, 3V, 3X, DO, DV, DX, OM, R3, RD and RM control suffixes
15	44129101P	Accessory Box Harness Assembly	

N/A = Part no longer available

Contactor Box Assembly (Drawing 21 of 21)

Electric Models

380 Volt/50 Hertz/3 Phase; 415 Volt/50 Hertz/3 Phase; 480 Volt/60 Hertz/3 Phase



TMB2634P_70409201

Contactor Box Assembly (Drawing 21 of 21)

REF	PART NO.	DESCRIPTION	COMMENTS
	M413856	Electric Accessory Box Cover	
	44127701	Warning Label	Extended tumble; On electric accessory box cover
	M4945P3	Electric Heater Contactor Kit	Use to replace contactors on models through 7/10/07
1	51780	Screw	13 required
2	M402542	Snap Bushing	1 3/8 inches; 2 required
3	39733	Screw	4 required
4	N/A	Hole Plug	1 3/8 inches
5	M411283	Ground Lug Connector	
6	M403047	Secure Ground Label	Electrical
7	M402917	Screw	Ground
8	M413865	Terminal Block	3 pole
9	M413933	Jumper Cable Assembly	3 required
10	M413930P	Ferrite Core Assembly	3O, 3V, 3X, DO, DV, DX, OM, R3, RD and RM control suffixes
11	44129101P	Accessory Box Harness Assembly	
12	44137901	Din Rail	Models starting 7/10/07
13	M412615	End Stop	Models starting 7/10/07
14	70343301P	Contactor	Models starting 7/10/07

Parts Index

A

Access Panel Trim 70399402	65
Accessory Box Harness Assembly 44129001	173
44129101P	175, 177
Actuator Switch M412423	121
Adjustable Buzzer D505447	31
Air Filter 44104201	123
Airflow Switch M400944	121
Airflow Switch Assembly M401883	121
Airflow Switch Bracket M409202	121
Airflow Switch Guard M410544	121
Airflow Switch Handy Box M403235	121
Airflow Switch Harness Assembly M413689	121
Airflow Switch Insulator Barrier M400712	121
Airflow Switch Vane M413475	121
Airflow Switch Vane Lever M400753	121
Anti-Torque Ring M400605	107

B

Baffle 44005001P	77
44005301P	77
44065601P	77
Baffle Gasket 70015701	77
Ball Bearing M401375P	95
44041901P	85
Bearing F100136P	85
Bearing Retainer M401370	95
Belt M401182P	93
M412090	91
M412981	91
Belt Guard M413008	101
M413541	89
Belt Guard Assembly 44132404	91
44132405	93

44132407	91
Blower Cover M413399	105
Bolt M400650	85
M401393	91, 101
M412119	97
Bottom Pan 44000701	77
Bracket 44065901	17
Bumper M400795	127
Burner Assembly M410541P	107, 109, 115
Burner Orifice M400995	111
M400997	111, 115
M400998	115
M400999	111
M401001	111
M401002	115
M401003	111
M401011	111, 115
M401014	111
M401017	111
M401020	115
M401021	111
M401027	111, 115
M402997	115
M403017	115
M406184	115
M406361	115
Bushing H87529111P	105
M411537	137, 139, 141, 143
M412086P	91
M412885P	91
M412917P	91
Bypass Harness Assembly M413168	15, 133, 143

C

Cabinet Limit Harness Assembly M412670	75
M413693P	75
Cable Screw Clamp M404550	77
Calibration Jumper 70084104P	19, 25
Cam and Hinge Kit M4771P3	79
M4772P3	81
Cam Package M409532	19
Card Reader and Bracket Assembly D510068P	39, 49
Card Reader Harness Assembly 70211801	49

N/A items do not appear in index.

Display Assembly	
D512218P	29
Door Assembly	
44028902P	81
44046701	79
44058001P	79
44058102P	81
44086801P	81
44112101	81
70176503	79
70212200	79
70212300	79
70407401	81
70408901	79
Door Glass	
M400784P	79
44008401P	81
44008402P	81
70133601P	79
Door Glass Installation Tool	
M4221P4	79, 81
Door Glass Seal Kit	
70211901P	79
Door Handle	
M400133	79, 81
430117	79
44007901	81
44007902P	79
44057701	79
44057702	81
Door Hinge	
70115901*	79
70115902	79
70115903B	79
Door Hinge Assembly	
44075203*	81
44075204	81
44075208B	81
Door Hinge Cam Assembly	
44035102	81
70436202	79, 81
Door Hinge Lug Assembly	
44035001	55, 57, 79, 81
44035002	79, 81
Door Latch	
M401223	55, 57
Door Ring	
44007703B	81
70505707B	79
Door Ring and Handle Assembly	
44043501	79
44112001	81
Door Ring Assembly	
70505703	79
70543901	79
Door Ring Gasket	
44008201P	81
70296801	79
Door Seal Kit	
70211902P	81
Door Switch	
44018201	55
Door Switch Actuator Kit	
70215001P	81
Door Switch Cover	
44001301	55

Door Switch Wire Channel	
44001801	55
Double V Sheave	
M412916	91
Drive Rivet	
M400713	17
Drum Idler Wheel Assembly	
430619	97, 99

E

Earth Terminal Sticker	
M412096	145, 147, 149, 151, 153, 155, 157, 159, 161, 163, 165, 167, 169, 171
Electric Accessory Box Cover	
M413856	137, 139, 141, 143, 173, 175, 177
Electric Heater Cabinet Assembly	
M414825	117, 119
Electric Heater Contactor Kit	
M4919P3	173, 175
M4945P3	177
Electronic Coin Drop Assembly	
70294103P	43
70294104	43
70294105P	43
70294106	43
70294107	43
70294111	43
70294116	43
Electronic Coin Drop Harness	
44065801	43
Electronic Coin Drop Kit	
CK099	45
CK100	45
CK101	45
CK103	45
CK108	45
CK109	45
CK113	45
CK115	45
CK116	45
CK117	45
CK118	45
CK502	45
Electronic Control	
44037801P	31
Emergency Stop Button Kit	
F200233700P	53
Emergency Stop Label	
44012901	53
Emergency Stop Pushbutton	
F200233500	53
Emergency Stop Switch Harness Assembly	
70083901	53, 65, 67
End Barrier	
M412633	145, 147, 149, 151, 153, 155, 157, 159, 161, 163, 165, 167, 169, 171
End Section	
M412540	145, 147, 149, 151, 153, 161, 165, 169
End Stop	
M412615	155, 157, 159, 163, 167, 171, 173, 175, 177
70121001	145, 147, 149, 151, 153, 155, 157, 159, 161, 163, 165, 167, 169, 171

N/A items do not appear in index.

Exhaust Thimble	
M413173	127
Exhaust Thimble Assembly	
M412288	127
Expansion Clip	
70030501	55, 57
Extension Handle	
M412370	145, 147, 149, 151, 153, 155, 157, 159
M412371P	161, 163, 165, 167, 169, 171
Extension Spring	
M412120	93

F

Fan and Bushing Assembly	
M414546	105
Fan Contactor	
M413614P	137, 139, 141, 143
Fan Kit	
M4936P3	101
Fan Motor	
44045901P	103
44046001P	103
Fan Motor Harness	
44006101P	101
44006201P	101
Fan Motor Harness Assembly	
M413281	101
M413686	101, 105
Felt Pad	
M402144	83
Ferrite Core Assembly	
M413930P	35, 137, 139, 141, 143, 165, 167, 169, 171, 173, 175, 177
Filter	
44172001	123
Finger Guard	
M412366	145, 147, 149, 151, 153, 155, 157, 159
M412367	161, 163, 165, 167, 169, 171
Fire Suppression System Label	
44128901	65, 67
Front Panel Assembly	
44077801*P	63
44077802P	63
44077805*P	63
44077806P	63
44077811*P	63
44077812	63
44077901*P	67
44077902P	67
44077903WP	67
44077904P	67
44077905*P	67
44077906P	67
44077907*P	67
44077908P	67
44077909*	63
44077910	63
44077911*	63
44077912	63
44077913*P	63
44077914	63
44077915*P	63
44077916	63

Front Panel Harness	
44006901	65
44007001P	65
Front Panel Harness Assembly	
44047801	65
44047901	65
44063101P	65, 67
44063201P	53, 65, 67
Front Pillar	
44001201	71
Fuse	
D502592	145, 147, 149
M413118	137, 141
M413889	147, 151, 153
M414232	15
44310001	139, 143
70406501	35
Fuse Holder	
M413544P	139, 143
Fuse Holder Bracket	
M413575	137, 141
M413576	139, 143
Fuse Holder Kit	
D502591P	145, 147, 149, 151, 153, 165, 167, 169, 171
Fuse Receptacle	
91024P	15, 137, 141
Fuse Sticker	
M413816	137, 141
M413817	139, 143

G

Gas Relay Harness	
44010701	149, 151
Gas Shut-Off Valve	
M412562P	107, 115
Gas Stove Assembly	
M413657P	115
M414366	107, 109
Gas Valve	
M410907P	107
M410908	107
M413332P	107
44154501P	107, 109, 115
44154502P	109, 115
Gas Valve Bracket	
M406814	107, 115
44040401	109, 115
Gas Valve Coil	
44042901P	107, 115
Gas Valve Harness Assembly	
M413650	107
Gas Valve Kit	
44138701P	107
Graphic Overlay	
44050501	33
44050502	33
44240501	33
Ground Buss Assembly	
M412656	145, 147, 149, 151, 153, 155, 157, 159, 161, 163, 165, 167, 169, 171
Ground Lug Connector	
M411283	173, 175, 177

N/A items do not appear in index.

Guide Rail	
M412476	91, 93, 99
Guide Rail Spacer	
M413269	91
Guide Rail Support	
M413267	91
M413268	91

H

Handle and Caps Assembly	
70154405	73
70154406	73
Handle Bar	
70399501B	81
70399502B	79
Handle Bumper	
70407202	73
Harness Assembly	
M412997	107, 109, 115
Heater Cable Assembly	
M413959	117
M413960	117
Heater Cable Harness Assembly	
M412801	119
M412802	119
Heater Element	
M410939P	117, 119
M410940P	117
M410941P	117, 119
High Temperature Lead	
44061603	15
44061604	15
High Voltage Suppression Cable	
44239703	15
Hose	
44073301	17
Hose Clamp	
36801	17
Hose Fitting	
44069101	17
Housing and Trunnion Assembly	
M4644P3	87
M4645P3	87

I

ICM Return Lead	
M411061	15
Idler Arm	
44102701	99
Idler Arm Kit	
M414320P	97, 99
Idler Housing	
M412612	95
Idler Housing Kit	
917P3	95
943P3P	97, 99
Idler Shaft	
M412223P	97
M414241	95

Idler/Belt Assembly Kit	
942P3P	99
Ignition Control Kit	
M4954P3	15
M4955P3	15
M4956P3	15
M4982P3	15
44264601	15
44264701	15
Indicator Light	
70082201	19, 27
Insulation	
M414503	107, 109, 115
44020601	59, 61
Insulator	
M413862	137, 139, 141, 143

J

Jumper Bar	
M400866	117, 119
Jumper Cable Assembly	
M413933	173, 175, 177
M413934	135, 161, 163, 167, 169, 171, 173
M414121	163, 167, 171
Jumper Cable Wire	
M412740	135, 161, 169
Jumper Calibration Wire	
70324604	23
70324605	29
Jumper Configuration Assembly	
M413507	131, 133, 135, 147, 151
M413510	139, 143
Jumper Harness	
44129201P	173, 175
Jumper Harness Assembly	
M412871	135, 161
M413506	131, 133, 135, 147, 151, 153, 169
M413508	139, 143, 159, 167
M413509	139, 143, 167
M414078	135
Jumper Set Assembly	
44042701	31
44042801	31
Jumper Strip	
M400869	117, 119
Jumper Wire	
M414077	159
44014501	135, 161, 163, 167, 169, 171
44014601	135, 161, 169
44014701	135, 161, 169
44014801	163, 167, 171
Jumper Wire Assembly	
M412287	117, 119
M412645	19, 23, 27, 29, 35, 37, 39, 47, 49
Junction Box Cover	
M412650	145, 147, 149, 151, 153, 155, 157, 159
Junction Box Side	
M412649	145, 147, 149, 151, 153

N/A items do not appear in index.

K

Key	H8752006H.....	105
	M400008.....	85, 93
	M400993.....	95, 101
	M401327.....	93, 95, 97, 99
	M405232.....	85
	44132301.....	101
	70155601.....	17, 55, 57
	70155602.....	55, 57
Key and Instruction Kit	M400994P.....	101
Kickplate	70117607.....	73
	70117608.....	73
Knob	M400773.....	27
	M410927.....	27
	44020501.....	19, 27
	44020502.....	19, 27

L

Label	70414001.....	65
Latch Mounting Bracket	44003201.....	77
Lever Arm Switch	44011601.....	69
Light	801431.....	23
	801432.....	17
Lighted Switch Bracket	44005101.....	15
Limit Thermostat	M401404.....	113
	M409433.....	117, 119
	M410220.....	115
	M410542.....	75
	M411813.....	75
Lint Panel	44000001WP.....	73
	44000002P.....	73
Lint Panel Harness Assembly	44048101P.....	71
Lint Panel Switch Bracket	44011501.....	69
	44118601.....	71
Lint Screen	44063601.....	77
Loading Spring	M400401.....	95
Lock, Key and Nut Kit	44089301P.....	17, 55, 57
	44089302P.....	55, 57
Low Pressure Steam Cover	M400828.....	123
L.P. Conversion Kit	M4454P3.....	107, 109
	M4543P3.....	107
	M4609P3.....	115

L.P. Gas Valve Kit	M4897P3.....	107
--------------------	--------------	-----

M

Main Harness	44006301P.....	15
	44006501P.....	15
	44098801.....	15
Male Tab Terminal	00177.....	19, 23, 27, 29, 31
Manifold Pipe	44040501.....	107
Manifold Pipe Assembly	M406681.....	107, 109, 115
	M413395.....	107
Manual Reset Thermostat	M411941.....	75
	M411943.....	113
Membrane Switch	M414368P.....	35
	44037901P.....	31
	44039402P.....	31
Micro V Belt	M411425P.....	93
Micro V Pulley	M411466P.....	97, 99
Micro V Sheave	M412156.....	93
Mixing Valve	36958P.....	17
Motor	44045701P.....	103
	44046201P.....	103
	44046301P.....	105
	44048801P.....	103
Motor Base	M413391.....	105
Motor Bracket	M411483.....	91, 93, 101
	44117201.....	91, 93, 101
Motor Hardware Kit	M4426P3.....	101
Motor Harness	44250101.....	101
Motor Kit	M412519P.....	89
	M412520P.....	89
	44245502.....	103
Motor Mount Assembly	M413617.....	89
Motor Switch	M414563.....	89
Mounting Bracket	70080701.....	19, 25
Mounting Plate	70208801.....	39, 41, 49
Mounting Switch Base	M412186.....	161, 163, 165, 167, 169, 171
	M412187P.....	145, 147, 149, 151, 153, 155, 157, 159

N/A items do not appear in index.

N

Nameplate	
44010401	59, 61
44010601	59, 61
44035801	61
44046801	59, 61
44062901	59
70243901	59
Nameplate Bezel	
70117401	59
Nameplate Overlay	
M412963	59, 61
44104501	59
44130601	59
44144401	59, 61
70128901	59
70410201	59, 61
Network Board	
210157P	51
Network Board Assembly	
210016P	51
Network Cable	
210165	51
Network Capacitor Assembly	
M413863	137, 139, 141, 143, 147, 151, 159, 165, 167
Network Capacitor Harness Assembly	
M413878	137, 139, 141, 143
Network Wire Harness Assembly	
800217	47, 49
Nut	
H88412101	91, 93, 99
M400022	101
M400026	85, 91, 93
M400034	101
M400035	93
M400977	55, 57, 59, 121
M400979	69, 121
M401548	107, 109, 115
M404993	83
M412688	145, 149, 151, 153, 155, 157, 159, 161, 163, 169, 171
M414215	79, 81
02428	89, 91, 101, 105
02788	55
20274	89, 91, 101, 105
21899	77
23951	73, 79, 81
24205	23, 29
29786	23, 33, 37, 47, 55, 79
29787	31, 33
44071201	79, 81
44087201	99
51236	73
52566	97
56156	97, 99
70030401	77
70054	19, 23, 25, 29, 31, 35, 39, 41, 49, 117, 119
70142	89

O

Opto Coupler	
200674P	43
Overlay	
44130001	35
44130002	35
44144301	47
44144302	47
44147801	47
44149301	49
70113501	19
70114301	19
70114501	27
70114502	27
70115801	35
70128401	35
70128601	35
70128701	35
70129202	27
70129501	37, 47
70129601	37
70130301	35
70130401	35
70130501	35
70130601	35
70130701	35
70131001	19
70134801	19
70134901	27
70135301	35
70183501	19
70184301	47
70184302	47
70184401	49
70239601	47
70239602	47
70245901	27
70246001	27
70246101	27
70257701	37
70257702	37
70257703	39, 41
70258001	37
70258002	37
70258003	39, 41
70259001	37, 39
70261001	37
70261002	37
70261003	39
70261201	37
70261202	37
70266701	39
70266801	39
70275401	37
70286701	37
70304401	41
70321001	37
70362201	29
70362202	29
70362501	29
70362502	29
70362901	23
70363001	23
70411701	37
70411702	37
70411703	39

N/A items do not appear in index.

P

Panel Locator	
56079	55, 57, 73
PC Board Standoff	
210098	51
Pipe	
M400749	107, 109, 115
Plug	
M400985	137, 139, 141, 143
Pop Rivet	
M400003	55, 57, 77
70058501	77, 81
70126301	73, 79, 81
70126401	73
Porcelain Touch-Up Paint	
122P4P	77
215P4P	77
370P4P	77
Power Distribution Block Cover	
44014901P	161, 163, 165, 167, 169, 171
Proximity Bracket	
44044501	125
Pulley	
M412884	91
M414564	101
M414565	89
M414566	101
M414567	89
Pushbutton	
44018801	53
Pushbutton Switch	
M413431	15
70413301	37, 39, 41, 47, 49, 57, 71
Push-to-Start Switch	
801434W	17

R

Rear Panel Assembly	
M414747	77, 129
Relay	
D502501	141
M412534	27, 35, 145, 147, 149, 151, 153, 155, 161, 163
Relay Harness Assembly	
M412636	145, 147
M412766	163
M412776P	161
M412777	161
M414032	147, 151, 153, 155, 159
M414149	161
M414150	163, 167, 171
M414224	147, 151, 153, 155
Relay/Buzzer Bracket	
44041701	31
Resilient Ring Kit	
M4525P3P	101
Return Spring	
M405138B	21
Reversing Contactor	
M412405P	147, 155, 157, 159, 161, 163, 165, 167, 169, 171

M413615P	141, 143
Reversing Contactor Harness Assembly	
M414034	135, 147, 155, 159, 167, 169, 171
Reversing Contactor Jumper Assembly	
M413624	133, 143
M413695	133
Reversing Jumper Harness Assembly	
M412927	147
M412928	135, 155, 157, 159, 161, 163, 167, 169, 171
M412929	135, 155, 157, 159, 161, 163, 167, 169, 171
Reversing Timer	
M412081	141, 143
Reversing Timer Harness	
44008001	133, 143
Rib Rod	
M404992	83
Ring	
M400399	93, 99
Rocker Switch	
M413270	27
44099601	29
70455101	23, 29
70461301	29
Roller Bracket Assembly	
70404001	73
Roller Catch Arm	
70030301	73
Roller Catch Spacer	
70030201	73
Roller Catch Wheel	
70297601	73
Rotary Drop Shroud	
70061701	19
Rotation Sensor	
7009P	125
Rotation Sensor Assembly	
70417401P	125

S

Screw	
D501086	139, 143, 145, 149, 153, 161, 163
D501524	23, 29, 37, 39, 41, 47, 49
H8800901H	105
M400043	91, 93, 99
M400044	79, 81, 137, 139, 141, 143, 151, 159, 167
M400056	89, 99
M400057	89, 91, 101, 105
M400061	91, 93
M400063	85
M400065	93, 99
M400071	151, 155
M400072	121
M400077	97, 99, 101
M400661	79, 81
M400664	75, 113, 115, 121
M401938	69, 121
M402574	55
M402585	79
M402797	27, 75, 113
M402917	137, 139, 141, 143, 173, 175, 177
M405188	123, 127

N/A items do not appear in index.

M405525	91	Solenoid Valve DIN Connector	
M405824	137, 139, 141, 143	70370301P	123
M409385	79, 81	Spacer	
M410059	101	M401402	83
M411052	27	44024001	91
M411072	55, 57, 127	Spark Electrode	
M411143	15	44253701P	107, 109, 115
M412105	141, 143	Spark Igniter	
M412627	91, 93, 99	M410905P	107
M413565	89	Spray Paint	
22688	89, 105	286P4	77
33562	117, 119, 123, 145, 149, 153,	297P4	77
	155, 157, 161, 163, 169, 171	298P4P	77
39733	161, 163, 169, 171, 173, 175, 177	381P4	77
430497	15, 17, 19, 27, 71, 75, 77, 101, 107,	382P4	77
	109, 113, 115, 117, 119, 121, 123, 145,	Spud Holder Assembly	
	147, 149, 151, 153, 165, 167, 169, 171	M406810	107, 109, 115
430648	97, 99	Start Switch	
430756	79	70108501	19, 27
430757	73	Steam Coil	
431287	55, 77	M400637P	123
44023301	55, 79	Steam Heater Assembly	
51778	137, 139, 141, 143	44020401P	123
51780	15, 17, 121, 137, 139, 141, 143, 145,	Steam Pressure Label	
	147, 149, 151, 153, 155, 157, 159,	902303	123
	161, 163, 169, 171, 173, 175, 177	Steam Solenoid	
51782	69	70351011P	123
61199	79, 81	70351012	123
70033502	55, 57, 81	Steam Stand Box	
70033504	55, 79	44007501	123
70069901	15, 19, 23, 25, 29, 35	Steam Valve	
70072801	73	F8322902	123
70132301	73	F8322903	123
70182601	55, 57	Steam Valve Coil	
70187201	85, 95	M412258	123
70240301	109, 115, 117, 119	70205701P	123
70247701	77	Stove Limit Harness Assembly	
70275801	55, 57	M413691	113
70409801	79, 81	Support Bearing	
70442101	79, 81	70448701	97
Secure Ground Label		Switch	
M403047	137, 139, 141, 143, 173, 175, 177	M400947	21
Sensor Harness Assembly		Switch Assembly	
44068702P	17	70413401	71
Shadow Box Clip		Switch Hole Plug	
M400972	55, 57	44057801B	57
Sheave Kit		44057801Q	57
44086901P	93, 99	44057801W	57
Shut-Off Valve Kit		Switch Plate	
M4983P3	107, 109, 115	M413236	27, 29
Side Panel			
44004701WP	77		
44004801*	77		
Side Panel and Bracket Assembly			
44056702*P	77		
44056802*	77		
Single V Sheave			
M412931	91		
Sleeve			
44050601	33		
Slot Card Plate Assembly			
44089501	41		
Snap Bushing			
M400770	71, 75, 137, 139, 141, 143		
M402542	173, 175, 177		
M411826	71		
70178701	17		

T

Tailpiece	
44092201	107, 109, 115
44092202	107, 109, 115
Temperature Control Bracket	
44018601	19, 27, 35
Temperature Kit	
70475001P	19, 25
Temperature Knob	
44020503	19, 27
44104601	23, 29

N/A items do not appear in index.

Temperature Selector Bracket 70350201	23
Temperature Selector Switch D511711	23, 29
Temperature Selector Switch Bracket 70391701	29
Tension Plate Assembly M414405	91, 93, 99
Terminal Block	
M405364	137, 139, 141, 143
M412537	145, 147, 149, 151, 153, 161, 165, 169
M412538	155, 157, 159, 163, 167, 171
M412631	145, 147, 149, 151, 153, 155, 157, 159, 161, 163, 165, 167, 169, 171
M412632	145, 147, 149, 151, 153, 155, 157, 159, 161, 163, 165, 167, 169, 171
M413865	161, 163, 165, 167, 169, 171, 173, 175, 177
430642	137, 139, 141, 143
Terminal Strip M413542	137, 139, 141, 143
Thermistor M414704	75
44064701	17
Thermistor Bracket Assembly 44051201	75
Thermistor Cable 44319901P	75
Thermodisc Bracket M400838	75
Thermostat Bracket M406882	113
Thermostat Cover M414477	75, 113
Thermostat Module 431347P	19, 25
Thimble Vane Assembly M400503	127
M413382	127
Timer M412079P	27
70131701P	25
70131801P	27
Timer Control Assembly 70175301P	19
Timer Knob 70082101	27
Timer Motor 70218201	21
70218301	21
Timing Cam M400732P	21
M400733P	21
M400734P	21
M400735P	21
M400736P	21
M400737P	21
M400738P	21
M400739P	21
M400740P	21
M400741P	21
Top Cover M414760	77, 123
Top Cover Pan M414676P	77

Transformer M412412P	155, 157, 163, 171
M412477P	145, 147, 149, 153, 161, 169
M414228P	137, 141, 147, 151, 165
M414229P	139, 143, 159, 167
M414230P	137
M414312P	137
44074401	139, 143
Transformer Harness 44043101	135, 147, 151, 159, 167
Transformer Harness Assembly M412641	145, 147, 149, 153, 155, 157, 161, 163, 169, 171
M412642	145, 147, 149, 153, 161, 169
M414028	135, 159, 167
M414029	135, 147, 151, 159, 167
M414076	147, 151
Trunnion and Bearing Assembly M4640P3	87
M4641P3	87
Trunnion Assembly M413836	83
44036801P	83
44261801	83
Trunnion Housing M413826	85
Trunnion Housing Assembly M413832	87
Tumbler Dolly Kit M4379P4	55, 57

V

Valve Coil F8514801	123
Valve Kit F8521701	123
Valve Rebuild Kit F8379502	123
Valve Replacement Kit M4909P3	107
Vane M400253	121
Vane Assembly M400541	121

W

Warning Label M410892	65, 67
44127701	137, 139, 141, 143, 145, 147, 149, 151, 153, 155, 157, 159, 161, 163, 165, 167, 169, 171, 173, 175, 177
Washer M400013	89, 91, 101, 105
M400014	91, 93, 101, 105
M400015	83, 85
M400080	89, 91, 93, 99, 101, 105
M400991	101
M403958	89, 91, 93, 99
M405535	19, 97
M412188	91, 93, 99
02834	89

N/A items do not appear in index.

20103	85
430782	97
70261401	85
70265901	99
70270301	99
70409301	79, 81
Water Hose	
F200116	17
Wire Guard	
201595P	43
